

enerio[®]

CBC-122043.1



Infrared panel heater (EN)

Infrarotheizung (DE)

Radiateur infrarouge (FR)

Pannello radiante a infrarossi (IT)

EAC CE

Content – Inhalt – Teneur – Contenuto

Instruction manual – English	- 2 -
Bedienungsanleitung – Deutsch	- 16 -
Mode d'emploi – Français	- 30 -
Manuale d'istruzioni – Italiano	- 44 -

SAFETY INSTRUCTIONS


Before use make sure to read all of the below instructions in order to avoid injury or damage, and to get the best results from the appliance. Make sure to keep this manual in a safe place. If you give or transfer this appliance to someone else make sure to also include this manual.

In case of damage caused by user failing to follow the instructions in this manual the warranty will be void. The manufacturer/importer accepts no liability for damages caused by failure to follow the manual, a negligent use or use not in accordance with the requirements of this manual.

1. Read and save these instructions. Attention: pictures in the IM are for reference only.
2. This appliance can be used by children aged from 8 years and above and persons with reduced physical, sensory or mental capabilities or lack of experience and knowledge if they have been given supervision or instruction concerning use of the appliance in a safe way and understand the hazards involved.
3. Children shall not play with the appliance.
4. Cleaning and user maintenance shall not be made by children without supervision.
5. Children of less than 3 years should be kept away unless continuously supervised.
6. Children aged from 3 years and less than 8 years shall only switch on/off the appliance provided that it has been placed or installed in its intended normal operating position and they have been given supervision or instruction concerning use of the appliance in a safe way and understand the hazards involved. Children aged from 3 years and less than 8 years shall not plug in, regulate and clean the appliance or perform user maintenance.

7. **CAUTION** — Some parts of this product can become very hot and cause burns. Particular attention has to be given where children and vulnerable people are present.
8. If the supply cord is damaged, it must be replaced by the manufacturer, its service agent or similarly qualified persons in order to avoid a hazard.
9. This appliance is intended to be used in household and similar applications.
10. Do not use outdoors. Do not use to dry clothes or any fabric.
11. The heater must not be located immediately below a socket outlet.
12. Do not use the heater if the power cord is damaged.
13. **WARNING:** In order to avoid overheating, do not cover the heater.
14. **WARNING:** The heater must not be used if the panel is damaged.
15. The heater is to be installed so that switches and other controls cannot be touched by a person in the bath or shower.
16. Do not use this heater in the immediate surroundings of a bath, a shower or a swimming pool.

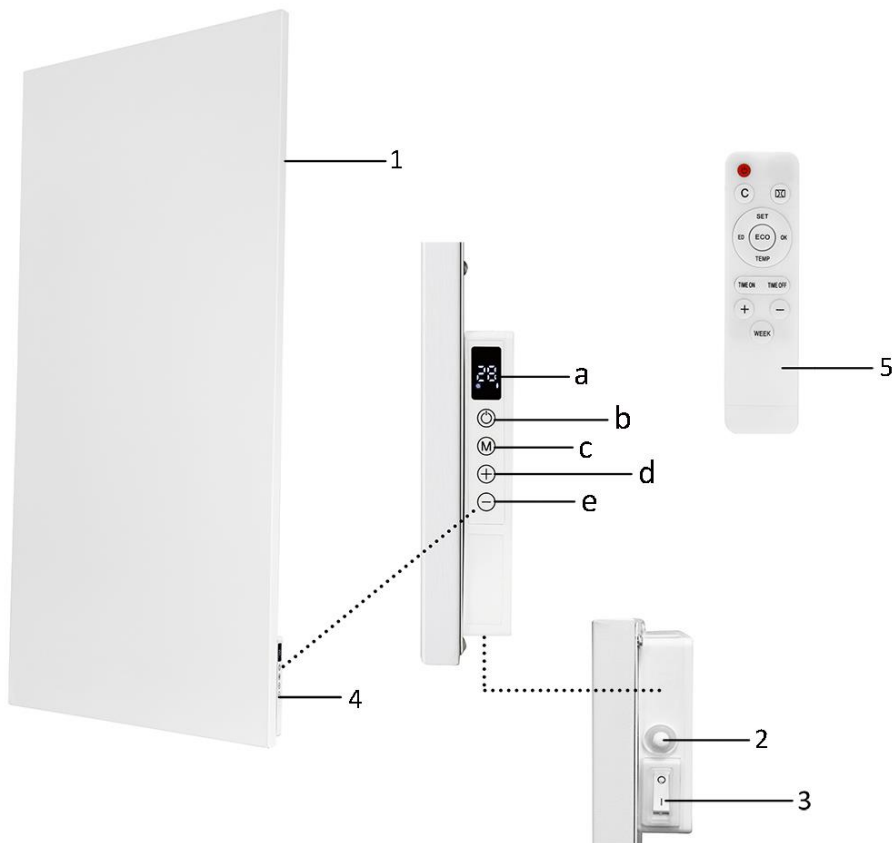


17.  Means "DO NOT COVER".
18. Keep combustible material such as furniture, cushions, bedding, paper, clothes, curtains etc. at least 100cm away from the heater.
19. This heater has hot and arcing or sparking parts inside. Do not use it in the areas where gasoline, paint, or flammable liquids are used or stored.
20. Always unplug the appliance when not in use.
21. The appliance is hot when in use. To avoid burned, do not let bare skin touch hot surfaces.

22. The supply voltage and utility frequency, specified on the machine, need to match those of the socket that is used. Only use an undamaged, earthed socket that is secured with a 30 mA earth leakage circuit breaker. The electrical socket that you are using must be to hand at all times in order to be able to remove the plug from the socket in the event of an emergency.
23. Fully extend the cord before plugging in the heater. Make sure it does not come into contact with any part of the heater and prevent it from heating up any other way. Do not run the cord underneath carpeting; do not cover it with mats, carpet strips or similar and make sure it is not placed in any passageways. Make sure the cord cannot be stepped on and that no furniture is placed on top of it. Do not lead the cord around sharp corners and do not roll it up too tightly after use!
24. If possible, do not use an extension cord, as this causes the risk of overheating and fire. If the use of an extension cord is unavoidable, then make sure it is an undamaged, approved extension cord with a minimum diameter of 2 x 1.5 mm² and a minimum permissible power of 1000 Watt. To prevent overheating, always fully extend the cord!
25. Do not use the heater outdoors and do not use it in spaces, smaller than 7 m³.
26. Make sure that the air around the heater can circulate freely. Do not place the heater too close to walls or large objects and do not place it under shelves, cupboards or similar: take at all sides at least 30 cm free space and at least 20 cm from the floor. For hanging installation: don't block the space between heater and wall.
27. Carefully supervise when this appliance is used in the presence of children, incapacitated persons or pets. Let persons who are not able to leave the room independently, away from a working heater. The surface becomes hot (up to 95°C), so keep children and people with disabilities out of the neighborhood. Keep the packaging material away from children.

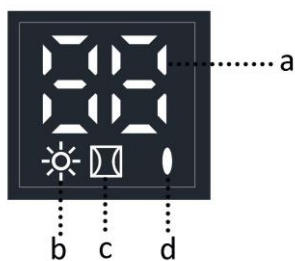
28. Always switch the heater off, unplug it and leave to cool down before:
 - cleaning the heater
 - carrying out maintenance on the heater
 - touching or moving the heater.
29. Keep the heater clean. Dust, dirt and/or a buildup of deposits in or behind the heater are a common cause of overheating. Make sure these deposits are removed regularly.
30. The appliance (incl. cord and plug) may only be opened and/or repaired by properly authorized and qualified persons.
31. Only use this heater for its intended purpose and as described in this instruction manual.
32. Regarding the information pertaining to the installation, please refer to the below paragraph of the manual.

PARTS DESCRIPTION



1. Heating panel
 2. Temperature sensor
 3. Power switch
 4. Control panel
 5. Remote control
-
- a) LED display
 - b) On/off button
 - c) Time set button
 - d) Value increase button
 - e) Value decrease buttons

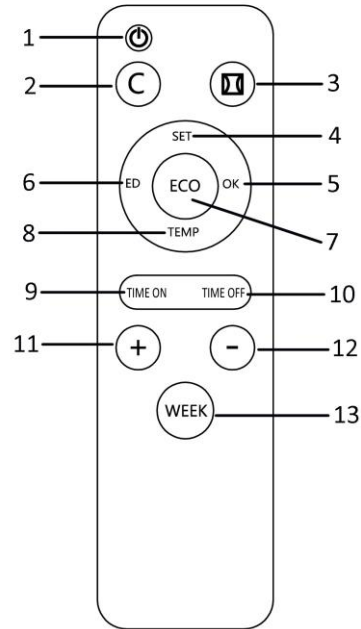
LED display



- a) Temperature / Data
- b) Heating symbol
- c) Open-window detection symbol
- d) Power indicator light

Remote control

1. On/off button
2. Cancel button
3. Open-window detection button
4. Set button
5. Ok button
6. Edit button
7. ECO button
8. Temperature button
9. Time on button
10. Time off button
11. Value increase button
12. Value decrease button
13. Week button

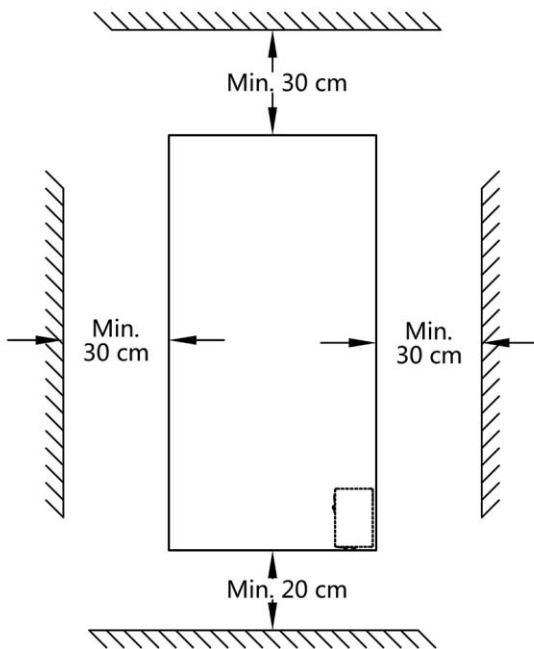


WALL MOUNTING

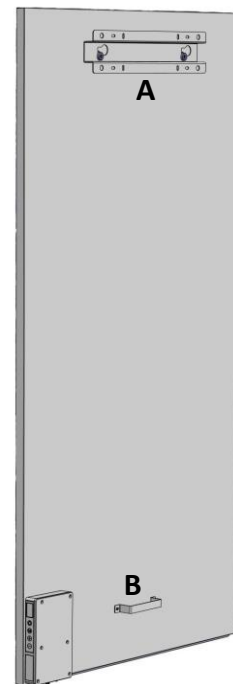
The fixing materials supplied are intended for a brick wall. If you are using a different type of surface, you should supply appropriate fixing materials yourself.

This heater has been designed to hang securely from the wall. Do not use it until it has been properly installed, as described in these instructions for use and never, for example, in a standing position or when leaning against something!

Please take below minimum distance picture (fig.1) for reference.



(fig.1)



(fig.2)

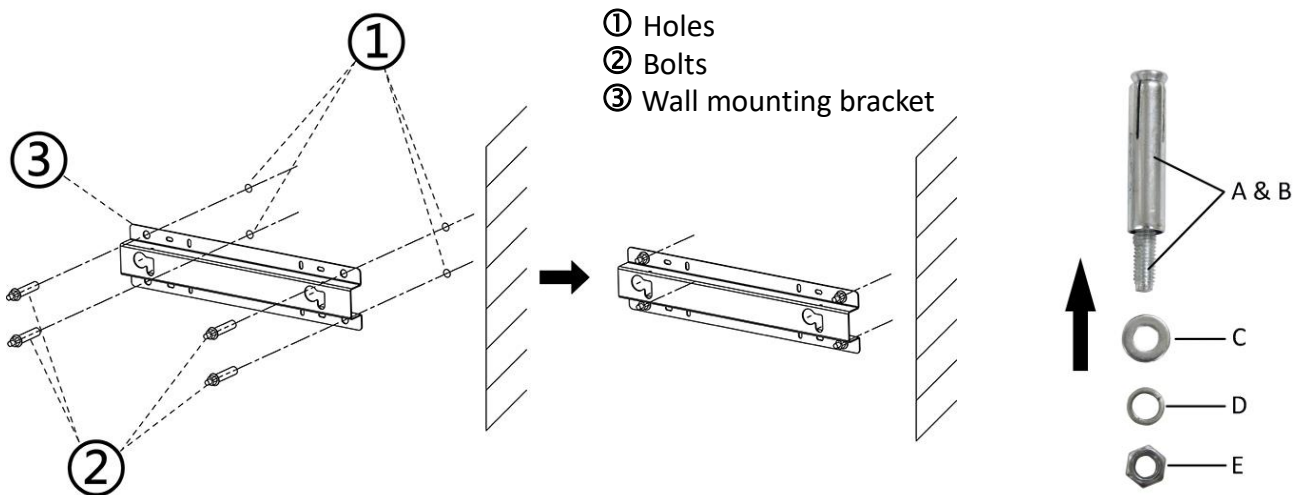
Please pay attention to fig.2: The wall-mounting system (A & B) on the rear side of the appliance should be pre-mounted in order to hang it **vertically**. Viewed from the front, the power switch is at the bottom side and the control panel is at the right-hand side.

- A. Wall mounting bracket & knobs
- B. Wall spacer (Bracket for keeping space from the appliance to the wall)

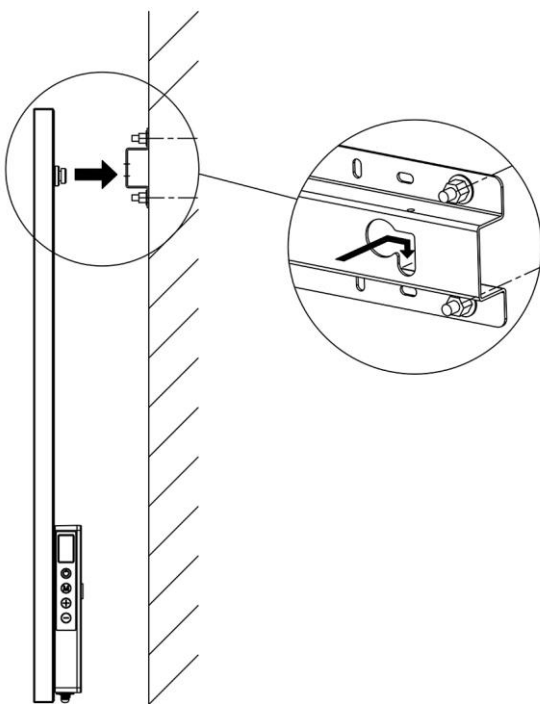
Note: The knobs and wall spacer have already been installed on the rear side by the factory.

Please install the wall mounting bracket by following steps.

1. Choose a firm, even, vertical wall made of heat-resistant material on which to hang the appliance.
2. Define the position of the wall mounting bracket: the bracket should be mounted horizontal to the wall. Position the bracket in such a manner that the minimum distances stated in fig.1 are guaranteed after the appliance is mounted to the wall. Mount the bracket with the correct side upwards (see the mark "This side up" on the bracket).
3. Mark the positions of the four holes to be drilled on the wall.
4. Drill 10mm holes in the marked places.
5. Insert the bolts (A&B) into the holes with a hammer. Put on the wall bracket. Secure the wall bracket immovably against the wall by using the washer (C), gasket (D) and nut (E).



6. Hang the panel by letting the knobs through the eyes in the wall mounting bracket. Slide the panel as far as possible to the right and lower it as far as possible. Now the panel is mounted securely.



7. To remove the panel from the wall, you must lift and slide in the opposite direction, until the knobs are in front of the eyes again. Now you can take the panel off.

Note: Guide the electric cable immediately downwards and make sure that it does not come into contact with the panel. Do not conceal the cable behind the heater!

OPERATION

Plug the appliance into an appropriate electrical outlet. Turn on the appliance by pressing the power switch to position "I". The power indicator light will be illuminated on the LED display. The appliance is standby.

You can use the control panel on the appliance or the separate remote control to operate your appliance.

Please note the control panel can only operate the basic functions. The remote control can operate the basic functions as well as the advanced functions.

The remote control should be directed towards the LED display while using.

Basic functions:

1. Press the on/off button to turn on the appliance. Press the button again to turn the appliance off.
2. Set the temperature.
 - 1) Press the button "+" or "-" to set your desired temperature. You can choose from 0-37°C. Long pressing for rapid adjustment.
 - 2) The LED display will flash the set temperature approx. 10 seconds and then turn back to show the current temperature. It means the temperature has been set.
 - 3) If the set temperature is higher than the current temperature, the appliance will start to heat and the heating symbol will be illuminated on the LED display. If the set temperature is reached, the appliance will automatically switch off and then switch on again when the room cools down. The heating symbol will be off and illuminated again accordingly.

Note: If no button is pressed in approx. two minutes, the current temperature will disappear from the LED display. Pressing any button will make the current temperature re-appear.

3. Set the current day and time (so that you can set the weekly timer function later.)
 - 1) Let the appliance be on but not heat. Therefore, no heating symbol is illuminated on the LED display. (Do this by setting the temperature lower than the current temperature, for example.)
 - 2) Follow below steps in the table to set the current day and time. When using the control panel, please press the button "M". When using the remote control, please press the button "SET".

Step	Press button	The LED display shows	Note
1	M / SET (3 sec.)	HH flashes	It means to set the day of today.
2	+ or -	01 to 07	01 = Monday, 02 = Tuesday, 03 = Wednesday, 04 = Thursday, 05 = Friday, 06 = Saturday, 07 = Sunday.
3	M / SET	H1 flashes	It means to set the current hour.
4	+ or -	00 to 23	Choose the correct hour.
5	M / SET	H2 flashes	It means to set the current minute.
6	+ or -	00 to 59	Choose the correct minute.
7	M / SET	Current temperature	It means the day and time are set.

4. Check the current day and time.
 - 1) Let the appliance be on and heat. Therefore, the heating symbol is illuminated on the LED display. (Do this by setting the temperature higher than the current temperature, for example.)
 - 2) Consecutively press the button "M" (on the control panel) / "SET" (on the remote control) to check the current day and time:
 - HH: day of the week;
 - H1: hour;
 - H2: minute.

More advanced functions: (Only by remote control.)

Weekly timer function

1. Follow below steps in the table to set the weekly timer.

Step	Press button	The LED display shows	Note
1	WEEK (3 sec.)	UU flashes	
2	SET	ON or OF flashes	
3	+ or –	ON or OF flashes	Select: + = ON: Timer function will be on. (During the set times, the heater will automatically switch on/off.) – = OF: Timer function will be off (During the set times, the heater will not automatically switch on/off.)
4	OK	UU	
5	SET	01 or 99 flashes	
6	+ or –	01 or 99 flashes	Select: + = 01: All timer settings will be executed only once. – = 99: All timer settings will be executed repeatedly. [See Attention (1)].
7	OK	UU	
8	SET	U1 flashes	
9	+ or –	U1 to U7 flashes	Select the day of the week (U1 = Monday, U2 = Tuesday, etc.) for which you want to make a timer.
10	OK	The selected day	
11	ED	01 flashes	
12	+ or –	01 to 04 flashes	You can make totally 4 timers per day. So name the timer with a number (01, 02, 03 or 04) to distinguish from each other. [See Attention (2)].
13	OK	The selected number	
14	TEMP	HP	
15	+ or –	00 to 37 flashes	Set the desired temperature (0 - 37 °C). The default setting is 20 °C.
16	OK	The selected temperature	
17	TIME ON	HE	
18	+ or –	00 to 23 flashes	Set the desired start time from 00 to 23. [See Attention (3)].
19	OK	The selected start time	
20	TIME OFF	HF	
21	+ or –	“start time +1” to 24 flashes	Set the desired stop time from the “start time +1” to 24. For example, if the start time is 10, the stop time can only be set from 11 to 24. [See Attention (3)].
22	OK	The selected stop time	

Timer setting is finished. The current temperature will appear on the LED display after approx. 10 seconds. If you want to set the second timer, please repeat the steps above.

Attention (1):

The timer settings which you make under "01" (executed only once) should be made for the current week. On Sunday (day 7) at 24:00, all "01" settings will be set to "non-activated". Therefore, a timer setting for Saturday that you made on Tuesday will work, but a timer setting for Tuesday that you make on Saturday will not work!

Attention (2):

If a timer setting with number 01 was made for this day, you must manually set the next timer setting for this day to 02 using the button "+". Otherwise the timer setting 01 will be overwritten.

Attention (3):

Start & stop times can only be set in whole hours (not in minutes).

Note:

- If the appliance is switched off by using the power switch or by removing the plug from the electrical outlet, the day will be set to 01 and the time will count from 00 (hour) and 00 (minute) for the next time you switch the appliance on again. However, the timers that were set previously are still stored. Therefore, to avoid misunderstandings, the weekly timer function will be automatically set to OFF ("OF" shown in LED display) in case of turning the heater off using the power switch or removing the plug from the socket. Otherwise, the heater would switch on and off at the wrong times. Make sure to reset the current day and time once turn on the appliance again and remember to set the weekly timer function to ON ("ON" shown in the LED display) as described in above table.
- During the timer setting, if no button is pressed for approx. 10 seconds, the timer setting will stop and you will have to start all over again.
- All timer settings – maximum 28 settings: seven (7) days multiplied by maximum four (4) settings per day – are processed consecutively. Therefore, make sure that they do NOT contain contradictions.

2. Cancel the timer settings

1) Cancel all the timer settings.

Press the button "WEEK" for approx. 3 seconds until the LED display shows the flashing "UU".

Long press the button "C" until a beep sound is heard. It means all the timer settings are cancelled.

2) Cancel all timer settings of a specific day.

Press the button "WEEK" for approx. 3 seconds until the LED display shows the flashing "UU".

Press the button "SET" consecutively until the LED display shows the flashing "U1" (day 1, for example).

Press the button "+" / "-" to select the day for which you want to cancel the timer settings.

Long press the button "C" until a beep sound is heard. It means all the timer settings of the day are cancelled.

3) Cancel a specific timer setting.

Press the button "WEEK" for approx. 3 seconds until the LED display shows the flashing "UU".

Press the button "SET" consecutively until the LED display shows the flashing "U1" (day 1, for example).

Press the button "+" / "-" to select the day for which you want to cancel the timer setting.

Press the button "ED".

Press the button "+" / "-" to select the number of the timer setting that you want to cancel.

Long press the button "C" until a beep sound is heard. It means this timer setting is cancelled.

3. Check the timer settings

Press the button "WEEK" consecutively. You will see the following settings in sequence:

- Timer on (ON) or timer off (OF)
- Once only (01) or repeatedly (99)
- U1-U7, day of the week
- Timer setting number of the day concerned (01, 02, 03 or 04)
- The set temperature
- Start time in hours
- Stop time in hours

All 28 timer settings are shown, also the timer settings that have not been filled. The temperature of the non-filled timer settings is 20 °C.

Open-window detection function

Press the open-window detection button on the remote control. The open-window detection symbol will appear on the LED display. If the ambient temperature decreases 8°C or more within 15 minutes, the heater will turn off and the related symbol will flash. If this is the case and you press the button again, the heater will resume its normal operation.

ECO function

This appliance is equipped with the ECO function. If the button "ECO" is pressed, the LED display will show "EC". The appliance will start to heat if the ambient temperature drops to below 16°C and will turn off if the ambient temperature increases to above 16°C. Press the button "ECO" again to switch off the ECO function.

SAFETY FEATURE

In case of internal overheating, the overheating safeguard will switch the heater off. This may occur if the heater cannot give off enough heat or if it cannot draw in enough fresh air. As mentioned above, this is generally caused by (partially) covering the heater, or installing the heater too close to a wall or something similar. In case of overheating, switch off the heater and unplug. Give the heater time to cool down, remove the source of the overheating and use as normal. If the problem persists or if you have not been able to trace the source of the overheating, turn the heater off immediately and unplug. Contact a servicing support to have the heater repaired.

CLEANING AND MAINTENANCE

Keep the heater clean. Switch off the heater, remove the plug from the socket and allow the heater to cool down before cleaning or carrying out maintenance work.

- Wipe the outside of the heater regularly with a dry or slightly damp cloth. Do not use aggressive soaps, sprays, cleaners or abrasives, waxes, polishes or chemical solutions which can cause irreparable scratches and damage! You can keep the back of the heater free of dust with a feather duster. For thorough cleaning of the back, you can take the heater from the wall.
- If you want to store the heater at the end of the season, remove it from the wall, unscrew the wall mounting bracket and store the entire unit (in the original packaging) upright in a cool, dry and frost-free place.

TECHNICAL DATA:

Operating voltage: 230V ~ 50-60Hz

Power consumption: 720W

GUARANTEE AND CUSTOMER SERVICE

Before delivery, our devices are subjected to rigorous quality control. If, despite all care, damage has occurred during production or transportation, please return the device to your dealer. In addition to statutory legal rights, the purchaser has an option to claim under the terms of the following guarantee:


For the purchased device we provide 2 years guarantee, commencing from the day of sale. If you have a defective product, you can directly go back to the point of purchase.

Defects which arise due to improper handling of the device and malfunctions due to interventions and repairs by third parties or the fitting of non-original parts are not covered by this guarantee. Always keep your receipt, without the receipt you cannot claim any form of warranty. Damage caused by not following the instruction manual, will lead to a void of warranty, if this results in consequential damages then we will not be liable. Neither can we hold responsible for material damage or personal injury caused by improper use if the instruction manual is not properly executed. Damage to accessories does not mean free replacement of the whole appliance. In such case, please contact our service department. Broken glass or breakage of plastic parts is always subject to a charge. Defects to consumables or parts subjected to wearing, as well as cleaning, maintenance, replacement of said parts or shipping and transportation costs to and from any place of repair are not covered by the warranty and are to be paid.

ENVIRONMENT FRIENDLY DISPOSAL



Recycling – European Directive 2012/19/EU

This marking indicates that this product should not be disposed with other household wastes. To prevent possible harm to the environment or human health from uncontrolled waste disposal,  recycle it responsibly to promote the sustainable reuse of material resources. To return your used device, please use the return and collection systems or contact the retailer where the product was purchased. They can take this product for environmentally safe recycling.



BATTERY MUST BE RECYCLED OR DISPOSED OF PROPERLY. DO NOT OPEN. DO NOT DISPOSE OR IN FIRE OR SHORT CIRCUIT.

Emerio Switzerland AG
Oberneuhofstrasse 1
6340 Baar
Switzerland

ERP information (EN)

Supplier: Emerio Switzerland AG
 Oberneuhofstrasse 1
 6340 Baar
 Switzerland

Declare that the product detailed below:

Information requirements for electric local space heaters

Model identifier(s):					
Item	Symbol	Value	Unit	Item	Unit
Heat output				Type of heat input, for electric storage local space heaters only (select one)	
Nominal heat output	P_{nom}	0,7	kW	manual heat charge control, with integrated thermostat	No
Minimum heat output (indicative)	P_{min}	N/A	kW	manual heat charge control with room and/or outdoor temperature feedback	No
Maximum continuous heat output	$P_{max,c}$	0,7	kW	electronic heat charge control with room and/or outdoor temperature feedback	No
Auxiliary electricity consumption				fan assisted heat output	No
At nominal heat output	e_{lmax}	0,703	kW	Type of heat output/room temperature control (select one)	
At minimum heat output	e_{lmin}	N/A	kW	single stage heat output and no room temperature control	No
In standby mode	e_{lSB}	0,000228	kW	Two or more manual stages, no room temperature control	No
				with mechanic thermostat room temperature control	No
				with electronic room temperature control	No
				electronic room temperature control plus day timer	No
				electronic room temperature control plus week timer	Yes
				Other control options (multiple selections possible)	
				room temperature control, with presence detection	No
				room temperature control, with open window detection	Yes
				with distance control option	No
				with adaptive start control	No

				with working time limitation	No
				with black bulb sensor	No
Contact details	Emerio Switzerland AG Oberneuhofstrasse 1 6340 Baar Switzerland				

Satisfies the requirement of the Council Directives:

COMMISSION REGULATION (EU) No 2015/1188 of 28 April 2015 and Amending COMMISSION REGULATION (EU) 2016/2282 implementing Directive 2009/125/EC of the European Parliament and of the Council with regard to ecodesign requirements for local space heaters

Regarding information for consumers on how to install, use and maintain the product, WEEE information, please check the instruction manual provided with packaging.

SICHERHEITSHINWEISE

Lesen Sie vor dem Gebrauch unbedingt die nachfolgenden Anleitungen, um Verletzungen oder Beschädigungen zu vermeiden und das beste Ergebnis mit dem Gerät zu erzielen. Bewahren Sie diese Bedienungsanleitung an einem sicheren Ort auf. Wenn Sie dieses Gerät an eine andere Person weitergeben, stellen Sie sicher, dass Sie auch diese Bedienungsanleitung aushändigen.


Im Falle von Beschädigungen, die durch die Missachtung der Anleitungen in dieser Bedienungsanleitung verursacht wurden, wird die Garantie ungültig. Der Hersteller/Importeur haftet nicht für Schäden, die durch Missachtung der Bedienungsanleitung, fahrlässigen Gebrauch oder Benutzung, die nicht in Übereinstimmung mit den Anforderungen dieser Bedienungsanleitung erfolgt, verursacht wurden.

1. Lesen und bewahren Sie diese Anleitungen auf. Achtung: Die Bilder in der Bedienungsanleitung dienen nur zur Veranschaulichung.
2. Dieses Gerät kann von Kindern ab 8 Jahren sowie von Personen mit reduzierten physischen, sensorischen oder mentalen Fähigkeiten oder Mangel an Erfahrung und/oder Wissen benutzt werden, wenn sie beaufsichtigt oder bezüglich des sicheren Gebrauchs des Gerätes unterwiesen wurden und die daraus resultierenden Gefahren verstanden haben.
3. Kinder dürfen nicht mit dem Gerät spielen.
4. Kinder sollten dieses Gerät nicht unbeaufsichtigt reinigen oder warten.
5. Kinder unter 3 Jahre sollten ferngehalten werden, außer sie werden ständig beaufsichtigt.
6. Kinder ab 3 Jahre und unter 8 Jahre dürfen das Gerät nur an- und ausschalten, unter der Voraussetzung, dass es an die normale Betriebsposition platziert oder montiert wurde und sie beaufsichtigt werden oder in der sicheren Bedienung des Gerätes unterrichtet wurden und die

involvierten Gefahren verstehen. Kinder ab 3 Jahre und unter 8 Jahre dürfen das Gerät nicht an das Stromnetz anschließen, einstellen und reinigen oder Wartungsarbeiten durchführen.

7. **VORSICHT — Einige Teile dieses Produktes werden sehr heiß und können Verbrennungen verursachen. In Anwesenheit von Kindern und schutzbedürftigen Personen muss besonders aufgepasst werden.**
8. Wenn die **Netzanschlussleitung** dieses Gerätes beschädigt wird, muss sie durch den Hersteller oder seinen Kundendienst oder eine ähnlich qualifizierte Person ersetzt werden, um Gefährdungen zu vermeiden.
9. Dieses Gerät ist für den Gebrauch in Haushalten und ähnlichen Anwendungsbereichen vorgesehen.
10. Nicht im Freien verwenden. Nicht zum Trocknen von Kleidung oder anderer Stoffe verwenden.
11. Das Heizgerät darf nicht direkt unter einer Steckdose platziert werden.
12. Das Heizgerät nicht verwenden, wenn das Anschlusskabel beschädigt ist.
13. **WARNUNG:** Um eine Überhitzung des Heizgeräts zu vermeiden, darf das Heizgerät nicht abgedeckt werden.
14. **WARNUNG:** Das Heizgerät darf nicht benutzt werden, wenn die Platte beschädigt ist.
15. Das Heizgerät muss so installiert werden, dass seine Schalter und anderen Bedienelemente nicht von einer Person berührt werden können, die sich in der Badewanne oder in der Dusche befindet.
16. Dieses Heizgerät nicht in unmittelbarer Nähe einer Badewanne, einer Dusche oder eines Schwimmbeckens benutzen.

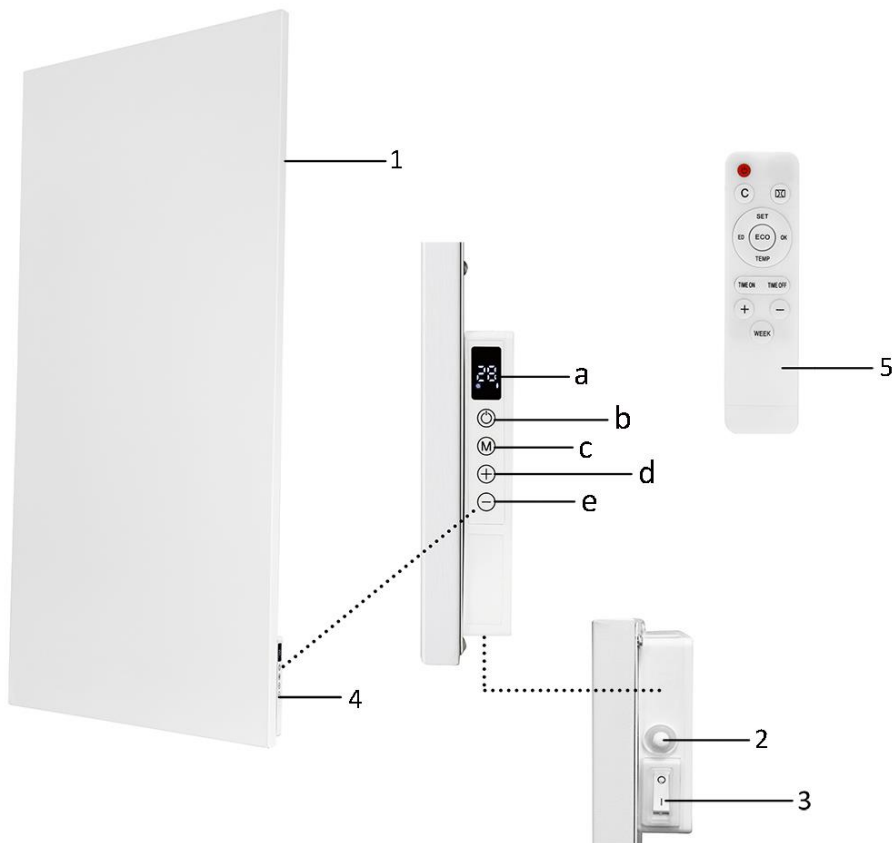


17.  Bedeutet " Nicht abdecken ".
18. Halten Sie brennbares Material wie Möbel, Kissen, Bettwäsche, Papier, Kleidung, Vorhänge usw. mindestens 100 cm vom Heizgerät entfernt.

19. Im Innern dieses Heizgeräts befinden sich Teile, die Hitze, Lichtbögen oder Funken erzeugen können. Nicht in Bereichen einsetzen, in denen Benzin, Lacke oder entzündliche Flüssigkeiten verwendet oder gelagert werden.
20. Bei Nichtgebrauch immer den Netzstecker ziehen.
21. Während des Gebrauch wird das Gerät heiß. Die ungeschützte Haut vor heißen Flächen fernhalten, es besteht Verbrennungsgefahr.
22. Die auf dem Gerät angegebene Versorgungsspannung und Frequenz müssen mit den Werten der verwendeten Steckdose übereinstimmen. Das Gerät darf nur an eine geerdete Steckdose, die in einwandfreiem Zustand und mit einem Fehlerspannungsschutzschalter mit 30 mA versehen ist, angeschlossen werden. Die verwendete Steckdose muss jederzeit gut zugänglich sein, damit der Stecker in einem Notfall schnell aus der Steckdose gezogen werden kann.
23. Kabel komplett abwickeln, bevor das Heizgerät mit der Steckdose verbunden wird. Das Kabel darf mit keinem Teil des Heizgerätes in Kontakt kommen und muss vor anderen Hitzequellen geschützt werden, damit es sich nicht erhitzt. Das Kabel darf nicht unter Teppichen verlegt werden, nicht mit Matten, Läufern oder ähnlichen Dingen bedeckt werden und nicht in Durchgängen platziert werden. Es ist darauf zu achten, dass niemand auf das Kabel treten kann und keine Möbelstücke auf das Kabel gestellt werden. Das Kabel darf nicht um spitze Ecken gelegt und nach dem Gebrauch zu fest aufgewickelt werden.
24. Von der Verwendung eines Verlängerungskabels wird abgeraten, da sich das Risiko der Überhitzung und eines Feuers dadurch erhöht. Wenn die Verwendung eines Verlängerungskabels sich nicht vermeiden lässt, sollte ein unversehrtes, zugelassenes Verlängerungskabel mit einem Durchmesser von $2 \times 1,5 \text{ mm}^2$, das für mindestens 1000 Watt Leistung geeignet ist, benutzt werden. Um Überhitzung zu vermeiden, das Kabel immer vollständig abwickeln!

25. Das Heizgerät nicht im Freien und nicht in Räumen unter 7 m³ verwenden.
26. Die Luft in der Umgebung des Heizgeräts muss ungehindert zirkulieren können. Das Heizgerät darf nicht zu nah an Wänden oder großen Gegenständen und unter Regalen, Schränken oder dergleichen aufgestellt werden. Es muss an allen Seiten ein Abstand von mindestens 30 cm und mindestens 20 cm zum Boden eingehalten werden. Bei Wandmontage: Den Platz zwischen Heizgerät und Wand nicht blockieren.
27. Eine sorgfältige Überwachung ist erforderlich, wenn das Gerät in Anwesenheit von Kindern, behinderten Personen oder Haustieren benutzt wird. Personen, die das Zimmer nicht ohne Hilfe verlassen können, von dem Heizgerät wegführen. Die Oberfläche wird sehr heiß (bis zu 95°C). Es ist deshalb dafür zu sorgen, dass sich Kinder und Personen mit Behinderungen nicht in der Nähe des Geräts aufhalten. Verpackungsmaterial von Kindern fernhalten.
28. Heizgerät immer ausschalten, den Stecker aus der Steckdose ziehen und abkühlen lassen, bevor:
 - das Heizgerät gereinigt wird;
 - Wartungsarbeiten am Heizgerät vorgenommen werden;
 - das Heizgerät berührt oder umgestellt wird.
29. Das Heizgerät ist sauber zu halten. Staub, Schmutz und/oder Ablagerungen in oder hinter dem Heizgerät sind eine häufige Ursache von Überhitzung. Diese Ablagerungen müssen regelmäßig entfernt werden.
30. Das Gerät (inklusive Kabel und Stecker) darf nur von einer autorisierten Fachkraft geöffnet und/oder repariert werden.
31. Dieses Heizgerät nur zu seinem Bestimmungszweck und wie in dieser Bedienungsanleitung beschrieben benutzen.
32. Um Informationen über die Installation zu erhalten, lesen Sie bitte den nachfolgenden Abschnitt in dieser Bedienungsanleitung.

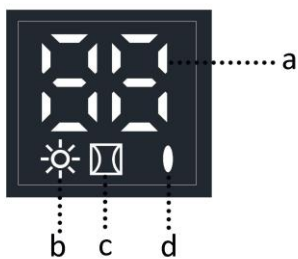
BESCHREIBUNG DER TEILE



1. Heizplatte
2. Temperatursensor
3. Hauptschalter
4. Bedienfeld
5. Fernbedienung

- a) LED-Display
- b) Ein/Aus-Taste
- c) Timer-Taste
- d) Plus-Taste
- e) Minus-Taste

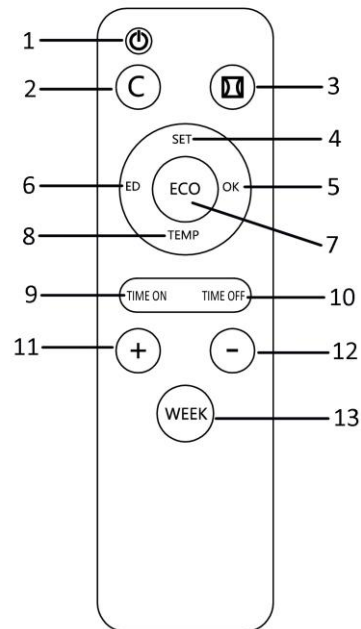
LED-Display



- a) Temperatur/Daten
- b) Heizsymbol
- c) Symbol für die Funktion zur Erkennung offener Fenster
- d) Betriebsanzeige

Fernbedienung

1. Ein/Aus-Taste
2. Abbruch-Taste
3. Taste für die Erkennung offener Fenster
4. Funktionswahl-Taste
5. OK-Taste
6. Einstell-Taste
7. ECO-Taste
8. Temperatur-Taste
9. Timer Ein-Taste
10. Timer Aus-Taste
11. Plus-Taste
12. Minus-Taste
13. Wochen-Taste

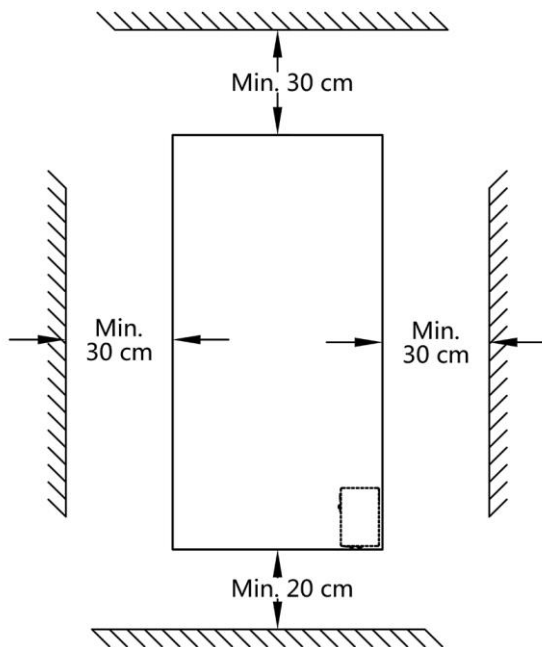


WANDMONTAGE

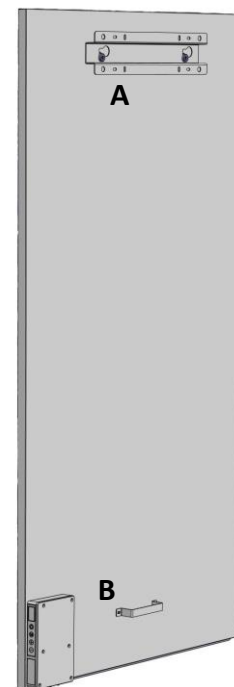
Das mitgelieferte Montagezubehör ist für eine Backsteinwand vorgesehen. Für die Montage an einer anderen Oberfläche muss der Benutzer selbst geeignetes Montagematerial besorgen.

Dieses Heizgerät wurde für die sichere Montage an einer Wand entwickelt. Es darf erst in Betrieb genommen werden, wenn es gemäß den Anleitungen in dieser Bedienungsanleitung korrekt montiert wurde. Es darf unter keinen Umständen stehend benutzt werden oder wenn es angelehnt ist!

Die nachstehende Abbildung (Abb. 1) mit dem Mindestabstand dient als Referenz.



(Abb.1)



(Abb. 2)

Bitte Abb. 2 beachten: Das Wandmontage-System (A und B) an der Rückseite des Geräts sollte vormontiert werden, um das Gerät **vertikal** aufzuhängen. Von vorne gesehen, muss sich der Hauptschalter an der Unterseite befinden und das Bedienfeld rechts.

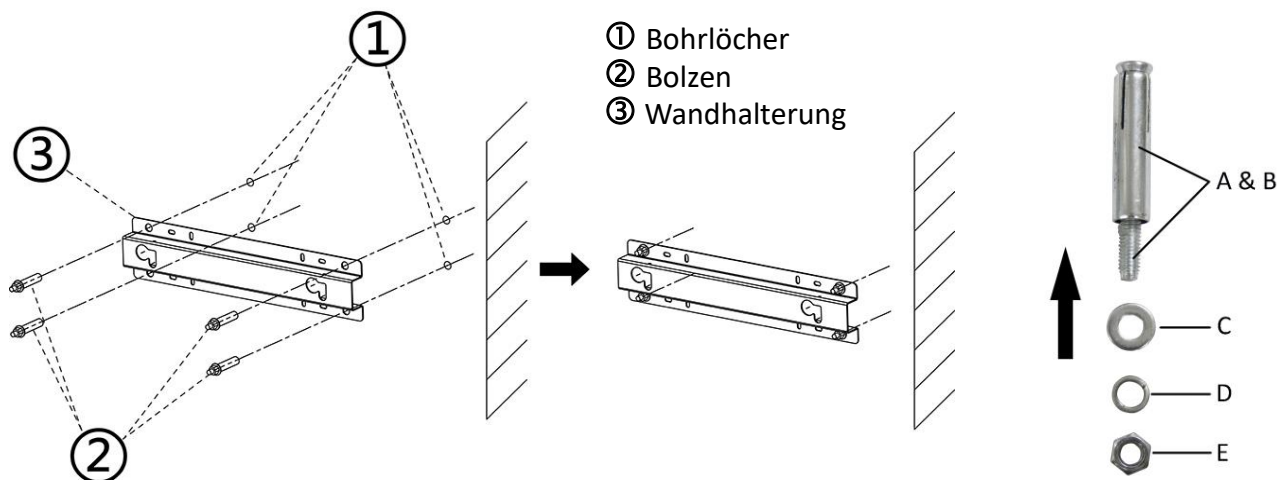
A. Wandhalterung und Knöpfe

B. Wandabstandshalter (Halterung, um Abstand zwischen der Wand und dem Gerät zu halten)

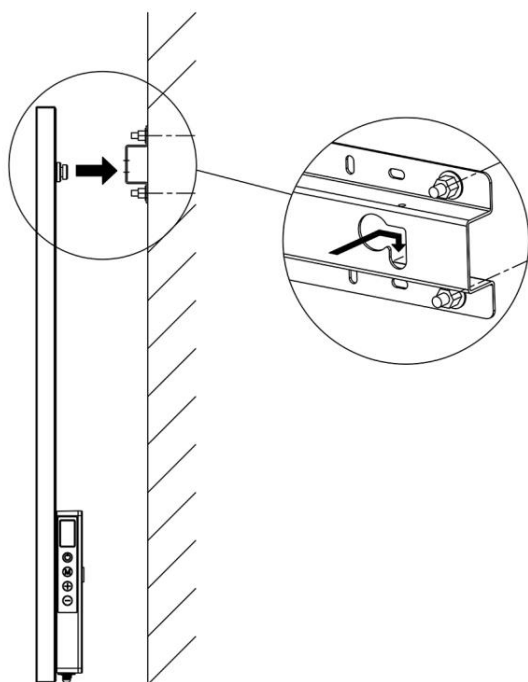
Hinweis: Die Knäufe und Wandabstandshalter wurden bereits im Werk an der Rückseite angebracht.

Schritte zur Montage der Wandhalterung

1. Das Gerät muss an einer festen, ebenen, senkrechten Wand aus hitzebeständigem Material montiert werden.
2. Festlegen der Position der Wandhalterung: Die Wandhalterung sollte waagrecht zur Wand montiert werden. Die Halterung ist so anzubringen, dass die in Abb. 1 gezeigten Mindestabstände eingehalten werden, wenn das Gerät an der Wand montiert ist. Die Wandhalterung ist mit der richtigen Seite nach oben zeigend anzubringen (siehe Markierung „This side up“ an der Halterung).
3. Die vier Bohrlöcher an der Wand markieren.
4. 10 mm große Löcher in die markierten Stellen bohren.
5. Die Bolzen (A und B) mit einem Hammer in die Bohrlöcher treiben. Die Wandhalterung auf die Bolzen setzen. Jetzt die Wandhalterung mit der Unterlegscheibe (C), Dichtscheibe (D) und der Mutter (E) fest an der Wand anbringen, sodass sie sich nicht mehr bewegen lässt.



6. Die Platte anhängen, indem die Knäufe in die Öffnungen in der Wandhalterung geführt werden. Die Platte so weit wie möglich nach rechts schieben und dann so weit wie möglich nach unten senken. Die Platte ist nun sicher fixiert.



7. Um die Platte von der Wand zu entfernen, muss sie angehoben und in die entgegengesetzte Richtung geschoben werden, bis die Knäufe wieder vor den Öffnungen sind. Jetzt kann die Platte abgenommen werden.

Hinweis: Das elektrische Kabel sofort nach unten führen. Es darf nicht mit der Platte in Berührung kommen. Unter keinen Umständen das Kabel hinter dem Heizgerät verbergen!

BETRIEB

Gerät an eine geeignete Steckdose anschließen. Zum Einschalten den Hauptschalter auf Position „I“ stellen. Die Betriebsanzeige auf dem LED-Display leuchtet auf. Das Gerät ist auf Stand-by geschaltet.

Das Gerät kann über sein Bedienfeld oder mit der separaten Fernbedienung bedient werden.

Über das Bedienfeld können nur die Grundfunktionen eingestellt werden. Mit der Fernbedienung können sowohl die Grundfunktionen als auch die erweiterten Funktionen genutzt werden.

Während der Benutzung sollte die Fernbedienung auf das LED-Display gerichtet werden.

Grundfunktionen:

1. Die Ein-/Aus-Taste drücken, um das Gerät einzuschalten. Die Taste noch einmal drücken, um das Gerät auszuschalten.
2. Die Temperatur einstellen.
 - 1) Die Taste „+“ oder „-“ drücken, um die gewünschte Temperatur einzustellen. Die Temperatur kann zwischen 0 und 37 °C eingestellt werden. Zum schnellen Einstellen die Taste länger gedrückt halten.
 - 2) Auf dem LED-Display blinkt die eingestellte Temperatur für ca. 10 Sekunden. Danach wird die aktuelle Temperatur angezeigt. Das bedeutet, dass die Temperatur jetzt eingestellt ist.
 - 3) Wenn die eingestellte Temperatur höher als die aktuelle Temperatur ist, beginnt das Gerät aufzuheizen und das Heizsymbol auf dem LED-Display ist eingeschaltet. Wenn die eingestellte Temperatur erreicht ist, schaltet sich das Gerät automatisch aus. Es schaltet sich wieder ein, wenn es in dem Zimmer kühler wird. Das Heizsymbol schaltet sich entsprechend ein und aus.
Hinweis: Wenn innerhalb von ca. zwei Minuten keine Taste gedrückt wird, verschwindet die aktuelle Temperatur vom LED-Display. Durch Drücken einer beliebigen Taste wird die Temperatur wieder angezeigt
3. Den aktuellen Wochentag und die Uhrzeit einstellen (damit die wöchentliche Timer-Funktion später eingestellt werden kann).
 - 1) Das Gerät muss eingeschaltet sein, jedoch nicht heizen. Das Heizsymbol auf dem LED-Display leuchtet also nicht. (Hierzu kann zum Beispiel die Temperatur niedriger als die aktuelle Temperatur eingestellt werden.)
 - 2) Die Schritte in der Tabelle erklären, wie der aktuelle Tag und die aktuelle Uhrzeit eingestellt werden. Bei Benutzung des Bedienfeldes die Taste „M“ drücken. Bei Benutzung der Fernbedienung die Taste „SET“ drücken.

Schritt	Taste drücken	Das LED-Display zeigt	Hinweis:
1	M/SET (für 3 Sek.)	HH blinkt	Der aktuelle Tag kann jetzt eingestellt werden.
2	+ oder -	01 bis 07	01 = Montag, 02 = Dienstag, 03 = Mittwoch, 04 = Donnerstag, 05 = Freitag, 06 = Samstag, 07 = Sonntag
3	M/SET	H1 blinkt	Die aktuelle Stunde kann jetzt eingestellt werden.
4	+ oder -	00 bis 23	Korrekte Stunde wählen.
5	M/SET	H2 blinkt	Die aktuelle Minute kann jetzt eingestellt werden.
6	+ oder -	00 bis 59	Korrekte Minute wählen.
7	M/SET	Aktuelle Temperatur	Tag und Uhrzeit sind jetzt eingestellt.

4. Aktuellen Tag und Uhrzeit prüfen.
 - 1) Gerät eingeschaltet lassen und aufheizen. Das Heizsymbol auf dem LED-Display leuchtet jetzt. (Hierzu kann zum Beispiel die Temperatur höher als die aktuelle Temperatur eingestellt werden.)
 - 2) Mehrmals die Taste „M“ (auf dem Bedienfeld)/„SET“ (auf der Fernbedienung) drücken, um den aktuellen Tag und die aktuelle Uhrzeit zu prüfen:
HH: Wochentag; H1: Stunde; H2: 1 Minute.

Erweiterte Funktionen: (nur per Fernbedienung)

Wöchentliche Timer-Funktion

1. Die Schritte in der Tabelle erklären, wie der wöchentliche Timer eingestellt wird.

Schritt	Taste drücken	Das LED-Display zeigt	Hinweis
1	WEEK (für 3 Sek.)	UU blinkt	
2	SET	ON oder OFF blinkt	
3	+ oder -	ON oder OFF blinkt	Auswählen: + = ON: Timer-Funktion ist aktiviert. (Während der eingestellten Zeiten schaltet sich das Heizgerät automatisch ein/aus.) - = OFF: Timer-Funktion ist deaktiviert. (Während der
4	OK	UU	
5	SET	01 oder 99 blinkt	
6	+ oder -	01 oder 99 blinkt	Auswählen: + = 01: Alle Timer-Einstellungen werden einmalig ausgeführt. - = 99: Alle Timer-Einstellungen werden wiederholt ausgeführt [siehe Hinweis (1)].
7	OK	UU	
8	SET	U1 blinkt	
9	+ oder -	U1 bis U7 blinkt	Den Wochentag (U1 = Montag, U2 = Dienstag usw.) auswählen, für den ein Timer eingestellt werden soll.
10	OK	Der ausgewählte Tag	
11	ED	01 blinkt	
12	+ oder -	01 bis 04 blinkt	Es können insgesamt vier Timer pro Tag eingestellt werden. Deshalb sollten die Timer nummeriert werden (01, 02, 03 oder 04), um sie voneinander zu unterscheiden [siehe Hinweis
13	OK	Die ausgewählte Nummer	
14	TEMP	HP	
15	+ oder -	00 bis 37 blinkt	Die gewünschte Temperatur (0-37 °C) einstellen. Die Standardeinstellung ist 20 °C.
16	OK	Die ausgewählte Temperatur	
17	TIME ON	HE	
18	+ oder -	00 bis 23 blinkt	Die gewünschte Startzeit von 00 bis 23 einstellen [siehe Hinweis (3)]
19	OK	Die ausgewählte Startzeit	
20	TIME OFF	HF	
21	+ oder -	„Startzeit + 1“ bis 24 blinkt	Die gewünschte Stoppzeit von der „Startzeit +1“ bis 24 einstellen. Zum Beispiel, wenn die Startzeit 10 ist, kann die Stoppzeit nur von 11 bis 24 eingestellt werden [siehe Achtung (3)].
22	OK	Die ausgewählte Stoppzeit	

Die Timer-Einstellung ist damit beendet. Die aktuelle Temperatur erscheint auf dem LED-Display nach ca. 10 Sekunden. Wenn der zweite Timer eingestellt werden soll, die oben beschriebenen Schritte wiederholen.

Hinweis (1):

Der Timer, der unter „01“ (nur einmalig) eingestellt wurde, sollte für die aktuelle Woche eingerichtet werden. Am Sonntag (Tag 7) um 24:00 werden alle „01“ Einstellungen auf „nicht aktiviert“ gestellt. Das heißt, dass ein Timer für Samstag, der am Dienstag eingestellt wurde, funktioniert. Ein Timer für Dienstag, der am Samstag eingestellt wurde, funktioniert jedoch nicht.

Hinweis (2):

Wenn ein Timer mit der Nummer 01 für diesen Tag eingestellt wurde, muss der nächste Timer für diesen Tag unter 02 mit der Taste „+“ manuell eingestellt werden. Andernfalls wird Timer 01 überschrieben.

Hinweis (3):

Start- und Stoppzeiten können nur in vollen Stunden (nicht in Minuten) eingestellt werden.

Anmerkung:

- Wenn das Gerät mit dem Hauptschalter oder durch Ziehen des Steckers aus der Steckdose ausgeschaltet wird, wird der Tag auf 01 zurückgesetzt und die Zeit auf 00 (Stunde) und 00 (Minute) für das nächste Mal, wenn das Gerät wieder eingeschaltet wird. Die Timer, die jedoch zuvor eingestellt wurden, sind noch gespeichert. Um daher Missverständnisse zu vermeiden, wird die wöchentliche Timer-Funktion automatisch auf OFF (das LED-Display zeigt „OF“ an) gesetzt, falls das Heizgerät mit dem Hauptschalter ausgeschaltet oder der Stecker aus der Steckdose gezogen wird. Andernfalls würde sich das Heizgerät zu den falschen Zeiten ein- und ausschalten. Der aktuelle Tag und die Uhrzeit müssen zurückgesetzt werden, wenn das Gerät wieder eingeschaltet wird. Die wöchentliche Timer-Funktion muss auf ON (das LED-Display zeigt „ON“ an) gestellt werden, wie in der Tabelle oben beschrieben.
- Wenn während der Einstellung des Timers für ca. 10 Sekunden keine Taste gedrückt wird, wird der Vorgang abgebrochen und die Timer-Einstellung muss von vorne begonnen werden.
- Alle Timer - insgesamt 28 Einstellungen: sieben (7) Tage mal maximal vier (4) Einstellungen pro Tag - werden nacheinander verarbeitet. Sie dürfen daher KEINE Widersprüche enthalten.

2. Löschen der Timer-Einstellungen

1) Alle Timer-Einstellungen löschen.

Die Taste „WEEK“ ca. 3 Sekunden gedrückt halten, bis „UU“ auf dem LED-Display blinkt.

Die Taste „C“ gedrückt halten, bis ein akustisches Signal ertönt. Das bedeutet, dass alle Timer-Einstellungen gelöscht wurden.

2) Alle Timer-Einstellungen für einen bestimmten Tag löschen.

Die Taste „WEEK“ ca. 3 Sekunden gedrückt halten, bis „UU“ auf dem LED-Display blinkt.

Die Taste „SET“ mehrmals drücken, bis „U1“ auf dem LED-Display blinkt (Tag 1, zum Beispiel).

Die Taste „+“/„-“ drücken, um den Tag zu wählen, für den die Timer-Einstellungen gelöscht werden sollen.

Die Taste „C“ gedrückt halten, bis ein akustisches Signal ertönt. Das bedeutet, dass alle Timer-Einstellungen für diesen Tag gelöscht wurden.

3) Eine bestimmte Timer-Einstellung löschen.

Die Taste „WEEK“ ca. 3 Sekunden gedrückt halten, bis „UU“ auf dem LED-Display blinkt.

Die Taste „SET“ mehrmals drücken, bis „U1“ auf dem LED-Display blinkt (Tag 1, zum Beispiel).

Die Taste „+“/„-“ drücken, um den Tag zu wählen, für den die Timer-Einstellung gelöscht werden sollen.

Die Taste „ED“ drücken.

Die Taste „+“/„-“ drücken, um die Nummer des Timers zu wählen, der gelöscht werden soll.

Die Taste „C“ gedrückt halten, bis ein akustisches Signal ertönt. Das bedeutet, dass diese Timer-Einstellung gelöscht ist.

3. Prüfen der Timer-Einstellungen

Die Taste „WEEK“ mehrmals drücken. Die folgenden Einstellungen werden nacheinander angezeigt:

- Timer ein (ON) *oder* Timer aus (OF)
- Einmal nur (01) *oder* wiederholt (99)
- U1-U7, Wochentag
- Nummer der Timer-Einstellung des entsprechenden Tages (01, 02, 03 oder 04).
- Die eingestellte Temperatur
- Startzeit in Stunden
- Stoppzeit in Stunden

Es werden alle 28 Timer-Einstellungen gezeigt, auch Timer, die nicht eingestellt wurden. Die Temperatur der nicht eingestellten Timer ist 20 °C.

Funktion zur Erkennung offener Fenster

Die Taste für die Erkennung offener Fenster auf der Fernbedienung drücken. Das Symbol für die Funktion zur Erkennung offener Fenster erscheint auf dem LED-Display. Wenn die Umgebungstemperatur innerhalb von 15 Minuten um 8°C oder mehr sinkt, schaltet sich das Heizgerät aus und das entsprechende Symbol blinkt. Wenn in diesem Fall die Taste erneut gedrückt wird, setzt das Heizgerät den normalen Betrieb fort.

ECO-Funktion

Dieses Gerät ist mit einer ECO-Funktion ausgestattet. Wenn die Taste „ECO“ gedrückt wird, erscheint „EC“ auf dem LED-Display. Das Gerät beginnt zu heizen, wenn die Umgebungstemperatur unter 16°C sinkt, und schaltet sich aus, wenn die Umgebungstemperatur über 16°C steigt. Die Taste „ECO“ erneut drücken, um die ECO-Funktion zu deaktivieren.

SICHERHEITSVORRICHTUNG

Falls die Temperatur im Geräteinneren zu hoch wird, schaltet der Überhitzungsschutz das Heizgerät aus. Dies kann passieren, wenn das Heizgerät nicht ausreichend Wärme abgeben oder ausreichend frische Luft aufnehmen kann. Wie zuvor erwähnt wird dies gewöhnlich verursacht, wenn das Heizgerät (zum Teil) bedeckt wird, oder wenn das Heizgerät zu nah an einer Wand oder dergleichen montiert wird. Wenn es sich überhitzt, das Gerät ausschalten und den Stecker aus der Steckdose ziehen. Heizgerät abkühlen lassen, die Ursache für das Überhitzen entfernen und das Gerät wie gewohnt benutzen. Wenn das Problem weiterbesteht oder die Ursache konnte nicht ermittelt werden, das Heizgerät sofort ausschalten und den Stecker aus der Steckdose ziehen. Einen Reparaturservice kontaktieren und das Heizgerät reparieren lassen.

REINIGUNG UND PFLEGE

Das Heizgerät ist sauber zu halten. Das Heizgerät vor dem Reinigen oder vor Wartungsarbeiten ausschalten, den Stecker aus der Steckdose ziehen und das Heizgerät abkühlen lassen.

- Die Außenseite des Heizgerätes regelmäßig mit einem trockenen oder leicht angefeuchteten Tuch abwischen. Keine aggressiven Seifen, Sprays, Reinigungsmittel oder Scheuermittel, Wachs, Polituren oder chemische Lösungen verwenden, die dauerhafte Kratzer und Schäden verursachen können! Die Rückseite des Heizgerätes kann mithilfe eines Staubwedels frei von Staub gehalten werden. Für eine gründliche Reinigung der Rückseite, kann das Heizgerät von der Wand genommen werden.
- Wenn das Heizgerät zum Ende der Saison von der Wand genommen werden soll, die Wandhalterung abschrauben und das Gerät vollständig (in der Originalverpackung) aufrecht an einer kühlen, trockenen und frostfreien Stelle aufbewahren.

TECHNISCHE DATEN

Betriebsspannung: 230V ~ 50-60Hz

Leistungsaufnahme: 720W

GEWÄHRLEISTUNG UND KUNDENSERVICE

Vor der Lieferung werden unsere Geräte einer strengen Qualitätskontrolle unterzogen. Wenn, trotz aller Sorgfalt, während der Produktion oder dem Transport Beschädigungen aufgetreten sind, senden Sie das Gerät zurück an den Händler. Zusätzlich zu den gesetzlichen Rechten hat der Käufer die Option, gemäß den folgenden Bedingungen Gewährleistung zu fordern:

Wir bieten eine 2-Jahres-Gewährleistung für das erworbene Gerät, beginnend am Tag des Verkaufs. Wenn Sie ein defektes Produkt haben, nehmen Sie bitte direkt Kontakt mit dem Verkäufer auf.

Defekte, die aufgrund von unangemessenem Umgang mit dem Gerät entstehen und Störungen aufgrund von Eingriffen und Reparaturen Dritter oder das Montieren von nicht-Originalteilen, werden nicht von dieser Garantie abgedeckt. Die Quittung immer aufbewahren, ohne Quittung wird jegliche Garantie ausgeschlossen. Bei Schäden durch Nichteinhalten der Bedienungsanleitung erlischt die Garantie, Wir sind für daraus resultierende Folgeschäden nicht haftbar. Für Materialschäden oder Verletzungen aufgrund falscher Anwendung oder Nichtbefolgen der Sicherheitshinweise sind wir nicht haftbar. Schäden an den Zubehörteilen bedeutet nicht, dass das gesamte Gerät kostenlos ausgetauscht wird. In diesem Fall kontaktieren Sie unseren Kundendienst. Zerbrochenes Glas oder Kunststoffteile sind immer kostenpflichtig. Schäden an Verbrauchsmaterialien oder Verschleißteilen, sowie Reinigung, Wartung, Austausch oder Kosten für Versand/Transport zum Reparaturort und zurück, der besagten Teile werden durch die Garantie nicht abgedeckt und sind deshalb kostenpflichtig.

UMWELTGERECHTE ENTSORGUNG



Wiederverwertung – Europäischen Richtlinie 2012/19/EG

Dieses Symbol zeigt an, dass das Produkt nicht zusammen mit Haushaltsabfällen entsorgt werden darf. Um Umwelt- und Gesundheitsschäden durch unkontrollierte Abfallentsorgung zu verhindern,

bitte verantwortungsbewusst entsorgen, um die nachhaltige Wiederverwertung von Ressourcen zu fördern. Nutzen Sie zur Rückgabe Ihres Altgeräts bitte die Rückgabe- und Sammelsysteme oder wenden Sie sich an den Händler, bei dem Sie dieses Gerät erworben haben. Dieser kann das Gerät umweltschonend entsorgen.



BATTERIEN MÜSSEN WIEDERVERWERTET ODER KORREKT ENTSORGT WERDEN. NICHT ÖFFNEN. NICHT WEGWERFEN, IN FEUER WERFEN ODER KURZSCHLIESSEN.

Emerio Switzerland AG
Oberneuhofstrasse 1
6340 Baar
Switzerland

ERP-Informationen (DE)

Lieferant: Emerio Switzerland AG
 Oberneuhofstrasse 1
 6340 Baar
 Switzerland

Erklärt für das im Folgenden beschriebene Produkt:

Erforderliche Angaben zu elektrischen Einzelraumheizgeräten

Modellkennung(en):					
Angabe	Symbol	Wert	Einheit	Angabe	Einheit
Wärmeleistung				Nur bei elektrischen Speicher-Einzelraumheizgeräten: Art der Regelung der Wärmezufuhr (bitte eine Möglichkeit auswählen)	
Nennwärmeleistung	P_{nom}	0,7	kW	manuelle Regelung der Wärmezufuhr mit integriertem Thermostat	Nein
Mindestwärmeleistung (Richtwert)	P_{min}	N.A.	kW	Manuelle Heizregelung mit Raum- und/oder Außentemperaturrückmeldung	Nein
Maximale kontinuierliche Wärmeleistung	$P_{max,c}$	0,7	kW	elektronische Regelung der Wärmezufuhr mit Rückmeldung der Raum- und/oder Außentemperatur	Nein
Hilfstromverbrauch				Wärmeabgabe mit Gebläseunterstützung	Nein
Bei Nennwärmeleistung	e_{lmax}	0,703	kW	Art der Wärmeleistung/ Raumtemperaturkontrolle (bitte eine Möglichkeit auswählen)	
Bei Mindestwärmeleistung	e_{lmin}	N.A.	kW	einstufige Wärmeleistung, keine Raumtemperaturkontrolle	Nein
Im Bereitschaftszustand	e_{lsb}	0,000228	kW	zwei oder mehr manuell einstellbare Stufen, keine Raumtemperaturkontrolle	Nein
				Raumtemperaturkontrolle mit mechanischem Thermostat	Nein
				mit elektronischer Raumtemperaturkontrolle	Nein
				elektronische Raumtemperaturkontrolle und Tageszeitregelung	Nein
				elektronische Raumtemperaturkontrolle und Wochentagesregelung	Ja

				Sonstige Regelungsoptionen (Mehrfachnennungen möglich)	
				Raumtemperaturkontrolle mit Präsenzerkennung	Nein
				Raumtemperaturkontrolle mit Erkennung offener Fenster	Ja
				mit Fernbedienungsoption	Nein
				mit adaptiver Regelung des Heizbeginns	Nein
				mit Betriebszeitbegrenzung	Nein
				mit Schwarzkugelsensor	Nein
Kontaktangaben	Emerio Switzerland AG Oberneuhofstrasse 1 6340 Baar Switzerland				

Erfüllt die Anforderung der Richtlinien des Rates:

VERORDNUNG (EU) Nr. 2015/1188 DER KOMMISSION vom 28. April 2015 und Anpassung der VERORDNUNG (EU) 2016/2282 DER KOMMISSION zur Durchführung der Richtlinie 2009/125/EG des Europäischen Parlaments und des Rates im Hinblick auf die Festlegung von Anforderungen an die umweltgerechte Gestaltung von Einzelraumheizgeräten

Informationen bezüglich der Aufstellung, Nutzung und Wartung des Produktes sowie Elektro- und Elektronik-Altgeräten (WEEE) finden Verbraucher in der Bedienungsanleitung, die in der Verpackung mitgeliefert wird.

CONSIGNES DE SÉCURITÉ

Avant d'utiliser l'appareil, lisez toutes les consignes suivantes pour éviter des blessures et des dommages, et pour optimiser les performances de votre appareil. Conservez cette notice d'utilisation dans un endroit sûr. Si vous donnez ou transférez cet appareil à un tiers, veillez à lui remettre également cette notice d'utilisation.

En cas de détérioration due au non-respect par l'utilisateur des instructions de cette notice d'utilisation, la garantie est annulée. Le fabricant/importateur rejette toute responsabilité en cas de dommages dus au non-respect des instructions de la notice d'utilisation, à un usage négligent ou à l'usage non conforme aux exigences de cette notice d'utilisation.

1. Lisez et conservez ces instructions. Attention: les images incluses dans le manuel d'instructions servent de référence seulement.
2. Cet appareil peut être utilisé par des enfants âgés d'au moins 8 ans et par des personnes ayant des capacités physiques, sensorielles ou mentales réduites ou dénuées d'expérience ou de connaissance, s'ils (si elles) sont correctement surveillé(e)s ou si des instructions relatives à l'utilisation de l'appareil en toute sécurité leur ont été données et si les risques encourus ont été appréhendés.
3. Les enfants ne doivent pas jouer avec l'appareil.
4. Le nettoyage et l'entretien par l'utilisateur ne doivent pas être effectués par des enfants sans surveillance.
5. Il convient de maintenir à distance les enfants de moins de 3 ans, à moins qu'ils ne soient sous une surveillance continue.
6. Les enfants âgés entre 3 ans et 8 ans doivent uniquement mettre l'appareil en marche ou à l'arrêt, à condition que ce dernier ait été placé ou installé dans une position normale prévue et que ces enfants disposent d'une surveillance ou aient reçu des instructions quant à

l'utilisation de l'appareil en toute sécurité et en comprennent bien les dangers potentiels. Les enfants âgés entre 3 ans et 8 ans ne doivent ni brancher, ni régler ni nettoyer l'appareil, et ni réaliser l'entretien de l'utilisateur.

7. **ATTENTION - Certaines parties de ce produit peuvent devenir très chaudes et provoquer des brûlures. Il faut prêter une attention particulière en présence d'enfants et de personnes vulnérables.**
8. Si le câble d'alimentation est endommagé, il doit être remplacé par le fabricant, son service après vente ou des personnes de qualification similaire afin d'éviter un danger.
9. Cet appareil est destiné à être utilisé pour des applications domestiques ou similaires.
10. N'utilisez pas cet appareil pour sécher des vêtements ou des tissus.
11. L'appareil de chauffage ne doit pas être placé juste en dessous d'une prise de courant.
12. N'utilisez pas le radiateur si son câble d'alimentation est endommagé.
13. **ATTENTION** : Afin d'éviter une surchauffe, ne pas couvrir.
14. **AVERTISSEMENT** : L'appareil de chauffage ne doit pas être utilisé si le panneau est endommagé.
15. L'appareil de chauffage doit être installé de façon telle que les interrupteurs et autres dispositifs de commande ne puissent pas être touchés par une personne dans la baignoire ou la douche.
16. Ne pas utiliser cet appareil de chauffage à proximité d'une baignoire, d'une douche ou d'une piscine.

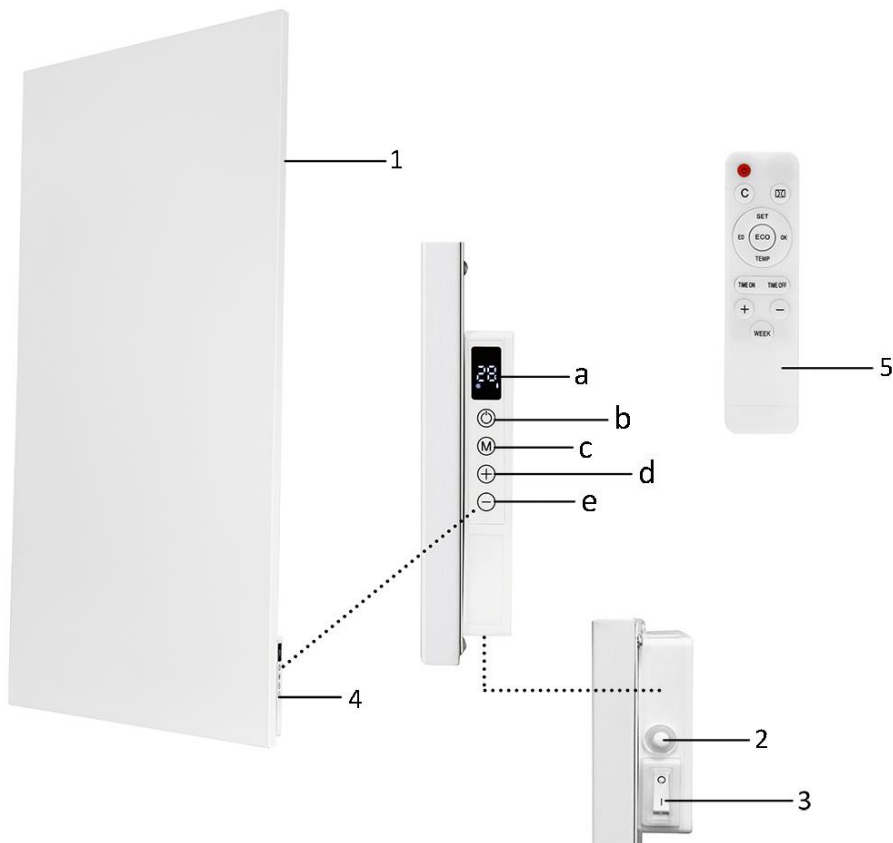


17. Signifie "NE COUVREZ PAS LE RADIATEUR".
18. Veillez à ce que les matériaux combustibles, comme les meubles, les coussins, le linge de lit, les articles en papier, les rideaux etc. restent éloignés d'au moins 100 cm du radiateur.

19. Ce radiateur contient des pièces chaudes et générant des arcs électriques ou des étincelles. Ne l'utilisez pas dans les zones où de l'essence, de la peinture ou des liquides inflammables sont utilisés ou stockés.
20. Débranchez toujours l'appareil après son utilisation.
21. Ce radiateur est chaud quand il est en fonctionnement. Pour éviter des brûlures, veillez à ce que la peau nue n'entre pas en contact avec les surfaces chaudes.
22. La tension d'alimentation et la fréquence indiquées sur l'appareil doivent correspondre à celles de la prise électrique utilisée. La prise utilisée doit impérativement être en bon état, mise à la terre et sécurisée à l'aide d'un disjoncteur de 30 mA. La prise électrique utilisée doit toujours être accessible afin de pouvoir débrancher l'appareil en cas d'urgence.
23. Déroulez l'intégralité du cordon avant de brancher le radiateur. Faites en sorte que le cordon ne touche pas le radiateur et qu'il ne chauffe pas au contact d'autres objets. Ne faites pas passer le cordon sous de la moquette, ne le recouvrez pas d'un matelas, de tapis ou d'autres objets et ne le placez pas dans le passage. Assurez-vous que le cordon d'alimentation est installé dans un endroit où il ne risque pas d'être piétiné. Aucun meuble ne doit être placé dessus. Ne faites pas passer le cordon sur des angles aigus et ne le serrez pas lorsque vous l'enroulez après utilisation.
24. Si possible, n'utilisez pas de rallonge sous peine de créer un risque de surchauffe et d'incendie. S'il est indispensable d'utiliser une rallonge, vérifiez que celle-ci est en bon état, qu'elle est homologuée et que son diamètre est d'au moins $2 \times 1,5 \text{ mm}^2$ avec une puissance autorisée d'au moins 1 000 watts. Pour éviter tout risque de surchauffe, déroulez toujours le cordon intégralement.
25. N'utilisez pas le radiateur à l'extérieur ou dans les espaces de moins de 7 m^3 .

26. Le radiateur doit être installé dans un espace bien ventilé. N'installez pas le radiateur trop près de murs ou de grands objets, et ne le placez pas sous des étagères, dans des placards ou dans d'autres environnements similaires. Il doit y avoir au moins 30 cm d'espace libre de chaque côté du radiateur et 20 cm par rapport au sol. En cas de suspension : n'obstruez pas l'espace situé entre le radiateur et le mur.
27. Toute utilisation de cet appareil en présence d'enfants, de personnes incapables ou d'animaux doit être supervisée. Les personnes qui ne sont pas en mesure de quitter la pièce de manière autonome ne doivent pas rester à proximité d'un radiateur en marche. L'élément chauffant atteint des températures élevées (jusqu'à 95 °C). Les enfants et personnes en situation de handicap ne doivent pas rester à proximité de l'appareil. Tenez l'emballage de l'appareil hors de portée des enfants.
28. Éteignez, débranchez et laissez toujours refroidir le radiateur avant :
 - de le nettoyer,
 - d'effectuer des opérations d'entretien,
 - de toucher ou de déplacer le radiateur.
29. Nettoyez le radiateur régulièrement. La poussière, la saleté et les accumulations de dépôts à l'intérieur du radiateur ou derrière sont des causes fréquentes de surchauffe. Retirez régulièrement ces dépôts.
30. Toute ouverture ou réparation de l'appareil (y compris son cordon et sa fiche d'alimentation) doit être confiée à une personne compétente et agréée.
31. Ce radiateur doit être utilisé exclusivement pour les usages prévus et conformément aux consignes données dans ce manuel.
32. En ce qui concerne les informations relatives à l'installation, veuillez vous référer au paragraphe ci-dessous du manuel.

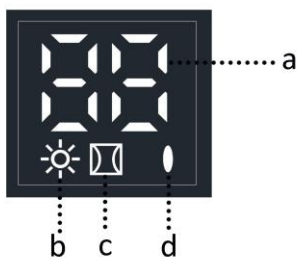
DESCRIPTION DES PIÈCES



1. Élément chauffant
2. Capteur de température
3. Interrupteur d'alimentation
4. Panneau de contrôle
5. Télécommande

- a) Écran LED
- b) Bouton marche/arrêt
- c) Bouton M (mode)
- d) Bouton +
- e) Bouton -

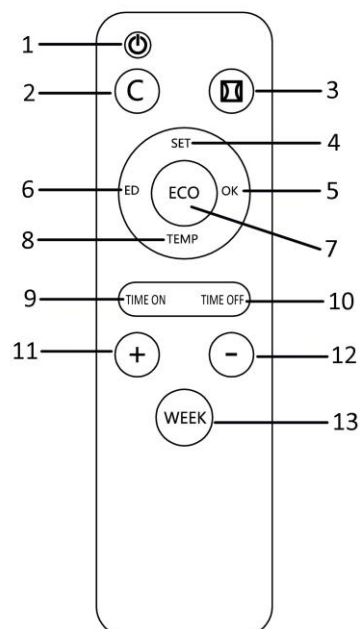
Écran LED



- a) Température/informations
- b) Témoin de chauffe
- c) Symbole de détection de fenêtre ouverte
- d) Témoin lumineux d'alimentation

Télécommande

1. Bouton marche/arrêt
2. Bouton C
3. Bouton de détection de fenêtre ouverte
4. Bouton SET
5. Bouton OK
6. Bouton ED
7. Bouton ECO
8. Bouton TEMP
9. Bouton TIME ON
10. Bouton TIME OFF
11. Bouton +
12. Bouton -
13. Bouton WEEK

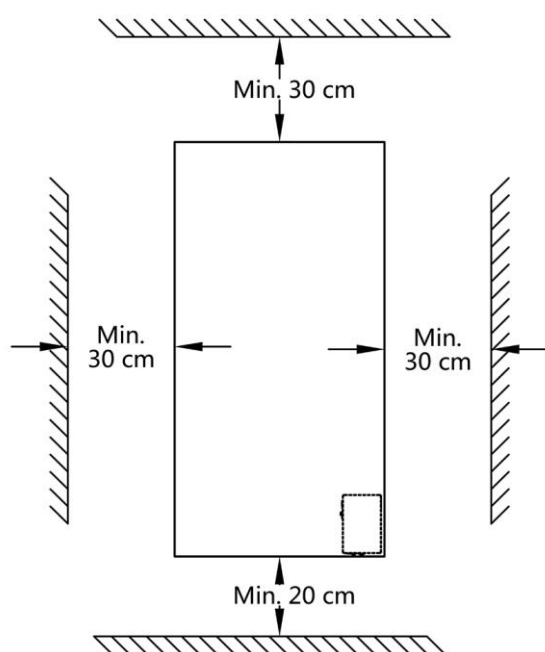


FIXATION MURALE

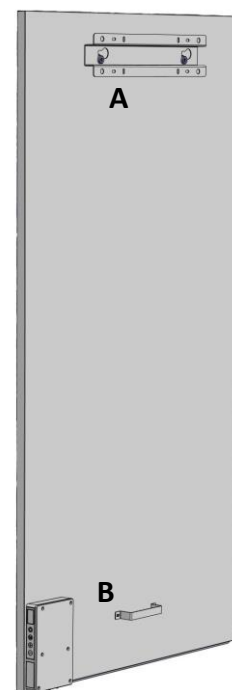
Le matériel fourni est conçu pour fixer le radiateur sur un mur en briques. Si votre mur n'est pas en briques, procurez-vous les autres éléments de matériel adaptés.

Ce radiateur a été conçu pour être suspendu au mur. Ne l'utilisez pas avant de l'avoir correctement installé conformément à cette notice, et ne le faites pas fonctionner en position debout ou appuyé contre un objet.

Respectez les distances minimales indiquées sur l'image ci-dessous (fig. 1).



(Fig. 1)



(Fig. 2)

Regardez attentivement la fig. 2 : le système de fixation mural (A et B) doit être prémonté à l'arrière de l'appareil afin de pouvoir le suspendre verticalement. Vu de face, l'interrupteur d'alimentation est situé en dessous et le panneau de contrôle est à droite.

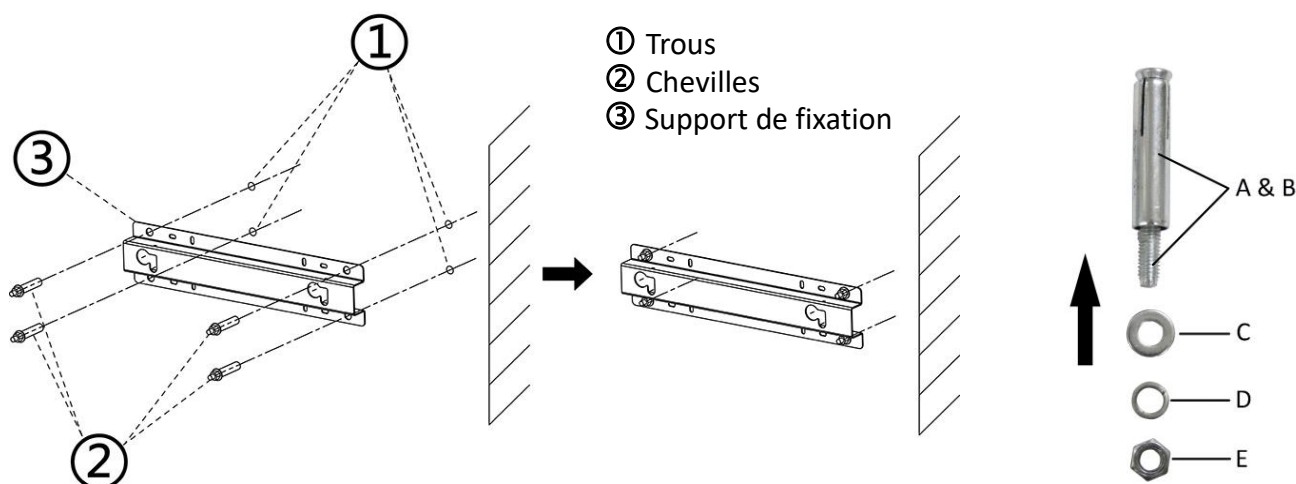
A. Support de fixation mural avec vis

B. Pièce d'espacement (destinée à maintenir un espace entre l'appareil et le mur)

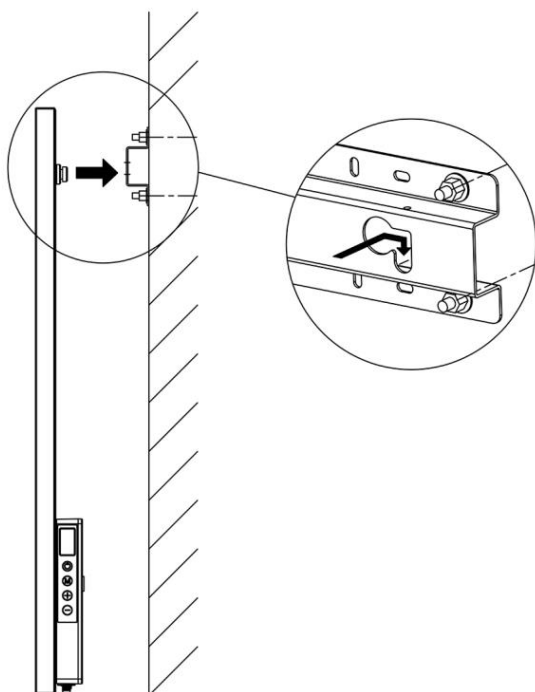
Remarque : le radiateur est livré avec les vis et la pièce d'espacement prémontées à l'arrière de l'appareil.

Montez le support mural en suivant la procédure suivante.

1. Choisissez un mur plein, plan, vertical et dont les matériaux résistent à la chaleur.
2. Choisissez l'emplacement du support mural : il doit être monté horizontalement par rapport au mur. Positionnez le support de sorte que les distances minimales indiquées sur la fig. 1 sont respectées une fois que l'appareil est monté sur le mur. Respectez le sens de montage du support (la mention « This side up » figurant sur le support indique la partie supérieure du support).
3. Faites des repères à l'endroit où les quatre trous sont à percer sur le mur.
4. Percez des trous de 10 mm aux endroits repérés.
5. Insérez les chevilles (A et B) dans les trous à l'aide d'un marteau. Installez le support mural. Fixez le support sur le mur à l'aide de la rondelle (C), de l'anneau métallique (D) et de l'écrou (E).



6. Suspendez le radiateur en insérant les vis dans les trous du support. Faites glisser le radiateur vers la droite, aussi loin que possible, puis vers le bas, aussi loin que possible. Le radiateur est désormais installé.



7. Pour retirer le radiateur du mur, soulevez-le et faites-le glisser dans le sens opposé jusqu'à ce que les vis soient en face des trous. Retirez ensuite le radiateur.

Remarque : guidez les câbles électriques directement vers le sol et assurez-vous qu'ils n'entrent pas en contact avec le radiateur. Ne rangez pas le câble derrière le radiateur !

FONCTIONNEMENT

Branchez l'appareil sur une prise électrique adaptée. Mettez l'appareil en marche en appuyant sur l'interrupteur d'alimentation (il doit être en position I). Le témoin lumineux d'alimentation s'allume sur l'écran LED. L'appareil est en veille.

Le panneau de contrôle situé sur l'appareil ou la télécommande peuvent être utilisés pour contrôler le fonctionnement du radiateur.

Notez que seules les fonctionnalités de base sont disponibles sur le panneau de contrôle. La télécommande permet d'utiliser les fonctionnalités de base et les fonctionnalités plus avancées.

La télécommande doit être dirigée vers l'écran LED pour fonctionner.

Fonctionnalités de base

1. Appuyez sur le bouton marche/arrêt pour allumer l'appareil. Appuyez à nouveau sur ce bouton pour éteindre l'appareil.
2. Réglage de la température désirée
 - 1) Utilisez les boutons + et - pour définir la température désirée. Vous pouvez choisir une température comprise entre 0 et 37 °C. Appuyez longuement pour un réglage rapide.
 - 2) Sur l'écran LED, la température désirée clignote pendant environ 10 secondes, puis la température ambiante s'affiche à nouveau. Cela signifie que le réglage de la température a bien été enregistré.
 - 3) Si la température désirée est supérieure à la température ambiante, l'appareil se met à chauffer et le témoin de chauffe s'allume sur l'écran LED. Une fois que la température ambiante a atteint la température désirée, l'appareil s'éteint automatiquement et se rallumera lorsque la température ambiante sera redescendue. Le témoin de chauffe s'éteindra et s'allumera à nouveau en fonction du fonctionnement du radiateur.

Remarque : si vous n'appuyez sur aucun bouton pendant deux minutes, la température ambiante disparaît de l'écran LED. Appuyez sur n'importe quel bouton pour afficher à nouveau la température ambiante.
3. Réglage de la date et de l'heure (nécessaire pour pouvoir définir une programmation hebdomadaire)
 - 1) Faites en sorte que le radiateur soit allumé mais ne chauffe pas. Le témoin de chauffe doit être éteint sur l'écran LED. (Pour ce faire, réglez la température désirée sur une valeur inférieure à celle de la température ambiante, par exemple.)
 - 2) Suivez la procédure décrite dans le tableau ci-dessous pour régler la date et l'heure. Si vous utilisez le panneau de contrôle, appuyez sur le bouton M. Si vous utilisez la télécommande, appuyez sur le bouton SET.

Étape	Appuyez sur le bouton...	L'écran LED affiche...	Remarque
1	M / SET (pendant 3 sec.)	HH clignote	Correspond au jour de la semaine.
2	+ ou -	Valeurs de 01 à 07	01 = lundi, 02 = mardi, 03 = mercredi, 04 = jeudi, 05 = vendredi, 06 = samedi, 07 = dimanche
3	M / SET	H1 clignote	Correspond à l'heure.
4	+ ou -	Valeurs de 00 à 23	Sélectionnez l'heure.
5	M / SET	H2 clignote	Correspond aux minutes.
6	+ ou -	Valeurs de 00 à 59	Sélectionnez les minutes.
7	M / SET	Température ambiante	Signifie que l'heure et la date ont bien été réglées.

4. Vérification de la date et de l'heure

- 1) Faites en sorte que le radiateur soit allumé et chauffe. Le témoin de chauffe doit être allumé sur l'écran LED. (Pour ce faire, réglez la température désirée sur une valeur supérieure à celle de la température ambiante, par exemple.)
- 2) Ensuite, appuyez sur le bouton M (sur le panneau de contrôle) ou SET (sur la télécommande) pour vérifier l'heure et la date :
HH : jour de la semaine ; H1 : heure ; H2 : minutes.

Fonctionnalités avancées (télécommande seulement)

Programmation hebdomadaire

1. Suivez la procédure décrite dans le tableau ci-dessous pour paramétrer une programmation hebdomadaire.

Étape	Appuyez sur le	L'écran LED affiche...	Remarque
1	WEEK (pendant 3 sec.)	UU clignote	
2	SET	ON ou OF clignote	
3	+ ou –	ON ou OF clignote	Sélectionnez : + = ON, la fonction de programmation hebdomadaire est activée (le radiateur s'éteindra et s'allumera automatiquement en fonction des plages horaires définies) – = OFF, la fonction de programmation hebdomadaire est
4	OK	UU	
5	SET	Valeurs de 01 à 99 qui	
6	+ ou –	Valeurs de 01 à 99 qui clignotent	Sélectionnez : + = 01 : tous les paramètres de programmation ne seront appliqués qu'une fois – = 99 : tous les paramètres de programmation seront répétés
7	OK	UU	
8	SET	U1 clignote	
9	+ ou –	Valeurs de U1 à U7 qui clignotent	Sélectionnez le jour de la semaine (U1 = lundi, U2 = mardi, etc.) pour lequel vous souhaitez activer la programmation.
10	OK	Le jour sélectionné	
11	ED	01 clignote	
12	+ ou –	Valeurs de 01 à 04 qui clignotent	Vous pouvez programmer au total 4 plages horaires par jour. Attribuez un numéro à la plage (01, 02, 03 ou 04) pour la distinguer des autres [voir l'avertissement (2)].
13	OK	Le numéro sélectionné	
14	TEMP	HP	
15	+ ou –	Valeurs de 00 à 37 qui clignotent	Choisissez la température souhaitée (valeur entre 0 et 37 °C). La température par défaut est 20 °C.
16	OK	La température sélectionnée	
17	TIME ON	HE	
18	+ ou –	Valeurs de 00 à 23 qui clignotent	Choisissez l'heure à laquelle vous souhaitez que cette plage débute (00 h - 23 h) [voir l'avertissement (3)].
19	OK	L'heure de début sélectionnée	

20	TIME OFF	HF	
21	+ ou -	« start time +1 » jusqu'à 24 heures clignote	Choisissez l'heure à laquelle vous souhaitez que la plage horaire se termine, en nombre d'heures à partir de l'heure de début +1 (« start time +1 »), jusqu'à 24 heures. Par exemple, si l'heure de début est 10, l'heure de fin ne peut être réglée que sur un chiffre compris entre 11 et 24 [voir l'avertissement (3)].
22	OK	L'heure de fin sélectionnée	
La programmation est terminée. La température ambiante apparaît sur l'écran LED après environ 10 secondes. Si vous souhaitez paramétrer une deuxième programmation, répétez la procédure ci-dessus.			

Avertissement (1)

Toute programmation définie avec le paramétrage 01 (une seule fois) est faite pour la semaine en cours. Le dimanche (jour 7) à minuit, la programmation définie avec le paramétrage 01 sera désactivée. Par conséquent, vous pouvez définir mardi une programmation pour samedi de la même semaine, mais votre programmation ne marchera pas si vous la paramétrez le samedi pour le mardi de la semaine suivante.

Avertissement (2)

Si une programmation avec le paramétrage 01 est définie pour le jour même, vous devez régler manuellement la prochaine plage horaire de ce jour sur le paramètre 02 à l'aide du bouton +. Sinon, la programmation avec le paramétrage 01 sera effacée.

Avertissement (3)

Les heures de début et de fin des plages horaires ne peuvent être définies qu'en heures pleines (et pas en minutes).

Remarque :

- Si l'appareil est éteint à l'aide du bouton marche/arrêt ou débranché de la prise électrique, le jour de la semaine sera réinitialisé sur 01 et l'heure sur 00 (heure) et 00 (minute) lors du rallumage de l'appareil. Les programmations précédemment définies restent toutefois enregistrées. Pour éviter les fausses manipulations, la fonction de programmation hebdomadaire sera automatiquement désactivée (« OF » s'affiche sur l'écran LED) si le radiateur est éteint à l'aide du bouton marche/arrêt ou débranché de la prise électrique. Sinon, le radiateur s'allumerait et s'éteindrait aux mauvais moments. N'oubliez pas de régler à nouveau la date et l'heure sur l'appareil lorsque vous le rallumez, et d'activer la fonction de programmation hebdomadaire (« ON » doit s'afficher sur l'écran LED) conformément aux indications données dans le tableau ci-dessus.
- Au cours de la programmation, si vous n'appuyez sur aucun bouton pendant environ 10 secondes, la procédure s'interrompt et vous devrez recommencer.
- Tous les paramètres de programmation = 28 paramètres maximum : sept (7) jours multipliés par quatre (4) plages horaires par jour maximum sont exécutés successivement. Par conséquent, vérifiez que ces paramètres ne contiennent AUCUNE contradiction.

2. Annulation des paramètres de programmation

1) Annulation de tous les paramètres de programmation

Appuyez sur le bouton WEEK pendant environ 3 secondes jusqu'à ce que « UU » clignote sur l'écran LED.

Appuyez longtemps sur le bouton C jusqu'à ce que vous entendiez un bip sonore. Le bip signifie que tous les paramètres de programmation ont été annulés.

- 2) Annulation de tous les paramétrages de programmation pour un jour en particulier
Appuyez sur le bouton WEEK pendant environ 3 secondes jusqu'à ce que « UU » clignote sur l'écran LED.
Appuyez plusieurs fois sur le bouton SET jusqu'à ce que « U1 » (jour 1) clignote sur l'écran LED.
Utilisez les boutons + et - pour sélectionner le jour pour lequel vous souhaitez annuler les paramètres de programmation.
Appuyez longtemps sur le bouton C jusqu'à ce que vous entendiez un bip sonore. Le bip signifie que les paramètres de programmation ont été annulés pour le jour choisi.
- 3) Annulation d'un paramétrage de programmation en particulier
Appuyez sur le bouton WEEK pendant environ 3 secondes jusqu'à ce que « UU » clignote sur l'écran LED.
Appuyez plusieurs fois sur le bouton SET jusqu'à ce que « U1 » (jour 1) clignote sur l'écran LED.
Utilisez les boutons + et - pour sélectionner le jour pour lequel vous souhaitez annuler le paramètre de programmation.
Appuyez sur le bouton ED.
Utilisez les boutons + et - pour sélectionner le numéro correspondant à la plage horaire pour laquelle vous souhaitez annuler les paramètres de programmation.
Appuyez longtemps sur le bouton C jusqu'à ce que vous entendiez un bip sonore. Le bip signifie que le paramètre de programmation a bien été annulé.

3. Vérification des paramétrages de programmation

Appuyez plusieurs fois sur le bouton WEEK. Les paramètres ci-dessous s'affichent successivement.

- Programmation activée (ON) *ou* programmation désactivée (OF)
- Une fois seulement (01) *ou* répéter (99)
- U1-U7 : jour de la semaine
- Numéro de la plage horaire (01, 02, 03 ou 04) du jour de la semaine en question
- Température désirée
- Heure de début (heures entières)
- Heure de fin (heures entières)

Les 28 plages horaires, y compris celles qui n'ont pas été paramétrées, s'affichent. La température des plages horaires non paramétrées est 20 °C par défaut.

Détection de fenêtre ouverte

Appuyez sur le bouton de détection de fenêtre ouverte sur la télécommande. Le symbole correspondant s'affiche sur l'écran LED. Si la température ambiante baisse de 8 °C ou plus en 15 minutes, le radiateur s'éteint et le symbole correspondant clignote. Dans ce cas, si vous appuyez à nouveau sur le bouton de détection de fenêtre ouverte, le radiateur reprend son fonctionnement normal.

Mode ECO

Le radiateur est doté d'un mode ECO. Si vous appuyez sur bouton ECO, l'écran LED affiche « EC ». L'appareil commence à chauffer si la température ambiante passe sous la barre des 16 °C, et il s'éteint dès que la température ambiante dépasse 16 °C. Appuyez à nouveau sur le bouton ECO pour désactiver le mode ECO.

DISPOSITIF DE SÉCURITÉ

En cas de surchauffe interne, le dispositif de sécurité anti-surchauffe éteint le radiateur. Cela peut se produire si le radiateur ne produit pas assez de chaleur ou s'il ne peut pas emmagasiner suffisamment d'air frais. Comme mentionné plus haut, les surchauffes surviennent généralement lorsque le radiateur est (partiellement) recouvert, ou s'il est installé trop près d'un mur ou d'un autre objet de taille importante. En cas de surchauffe, éteignez et débranchez le radiateur. Laissez-le refroidir et éliminez la cause de la surchauffe avant de réutiliser l'appareil normalement. Si le problème persiste ou si vous n'avez pas pu trouver la cause de la surchauffe, éteignez et débranchez immédiatement le radiateur. Contactez le service après-vente pour faire réparer l'appareil.

NETTOYAGE ET ENTRETIEN

Nettoyez le radiateur régulièrement. Éteignez le radiateur, débranchez-le de la prise électrique et laissez-le refroidir avant de le nettoyer ou d'effectuer des opérations d'entretien.

- Nettoyez régulièrement l'extérieur de l'appareil à l'aide d'un chiffon sec ou légèrement humide. N'utilisez pas de savons, de vaporisateurs ou de détergents agressifs et évitez tous les produits abrasifs, les cires, encaustiques et autres solutions contenant des produits chimiques susceptibles d'entraîner des dégâts et des rayures irréversibles sur l'appareil. L'arrière de l'appareil peut être dépoussiéré à l'aide d'un plumeau. Pour nettoyer complètement l'arrière du radiateur, décrochez-le du mur.
- Si vous souhaitez ranger le radiateur à la fin de la saison, retirez-le du mur, dévissez le support mural et rangez l'ensemble (dans son emballage d'origine) en position verticale dans un endroit frais, sec et où il ne risque pas de geler.

DONNÉES TECHNIQUES

Alimentation: 230V ~ 50-60Hz

Consommation: 720W

GARANTIE ET SERVICE APRÈS-VENTE

Nos appareils sont soumis à un contrôle de qualité strict avant d'être livrés. Si l'appareil a toutefois été endommagé lors de la production ou du transport en dépit des soins que nous lui donnons, retournez l'appareil au vendeur. En plus des droits juridiques, le client a la possibilité dans les limites de la garantie de déposer les réclamations suivantes :

Nous offrons une garantie de 2 ans pour l'appareil acheté à partir de la date de vente. En cas de produit défectueux, vous pouvez retourner directement au point de vente.

Les défauts dus à une utilisation non conforme de l'appareil et les dommages dus à une intervention ou réparation faite par une tierce personne ou dus à l'installation de pièces qui ne sont pas d'origine ne sont pas couverts par cette garantie. Conservez toujours votre reçu, car sans celui-ci vous ne pourrez réclamer aucune sorte de garantie. Les dommages causés par le non-respect des instructions de ce manuel rendront la garantie caduque, Nous décline toute responsabilité en cas de dommages indirects. Nous déclinons toute responsabilité en cas de dégâts matériels ou de dommages corporels causés par une utilisation inappropriée ou si les instructions de sécurité n'ont pas été convenablement observées. Si les accessoires sont endommagés, cela ne signifie pas que toute la machine sera remplacée gratuitement. Dans de tels cas, veuillez contacter notre assistance. Des pièces brisées en verre ou en plastique sont toujours sujettes à des frais. Les défauts des consommables ou des pièces susceptibles de s'user, ainsi que le nettoyage, l'entretien, réparation ou les frais d'expédition et de transport à destination et au départ de tout lieu de réparation. Desdites pièces ne sont pas couverts par la garantie et doivent donc être payés.

APPAREIL RESPECTUEUX DE L'ENVIRONNEMENT



Recyclage – Directive européenne 2012/19/EU

Ce symbole indique que le produit ne doit pas être jeté avec les ordures ménagères. Pour limiter les risques pour l'environnement et la santé entraînés par le rejet non contrôlé des déchets, recyclez ce produit pour promouvoir une réutilisation responsable de ses matériaux. Pour recycler votre produit, utilisez les réseaux de collecte de votre région ou prenez contact avec le revendeur du produit. Ce dernier pourra vous aider à le recycler.



LA BATTERIE DOIT ÊTRE RECYCLÉE OU MISE AU REBUT D'UNE MANIÈRE APPROPRIÉE. NE PAS OUVRIR. NE PAS JETER DANS UN FEU ET NE PAS COURT-CIRCUITER.

Emerio Switzerland AG
Oberneuhofstrasse 1
6340 Baar
Switzerland

Informations ERP (FR)

Fournisseur : Emerio Switzerland AG
 Oberneuhofstrasse 1
 6340 Baar
 Switzerland

Déclare que le produit désigné ci-dessous :

Exigences d'informations applicables aux dispositifs de chauffage décentralisés électriques

Référence(s) du modèle :					
Caractéristique	Symbole	Valeur	Unité	Caractéristique	Unité
Puissance thermique				Type d'apport de chaleur, pour les dispositifs de chauffage décentralisés électriques à accumulation uniquement (sélectionner un seul type)	
Puissance thermique nominale	P_{nom}	0,7	kW	Contrôle thermique manuel de la charge avec thermostat intégré.	Non
Puissance thermique minimale (indicative)	P_{min}	N/A	kW	Contrôle thermique manuel de la charge avec réception d'informations sur la température de la pièce et/ou extérieure.	Non
Puissance thermique maximale continue	$P_{max,c}$	0,7	kW	Contrôle thermique électronique de la charge avec réception d'informations sur la température de la pièce et/ou extérieure.	Non
Consommation d'électricité auxiliaire				Puissance thermique réglable par ventilateur	Non
À la puissance thermique nominale	e_{lmax}	0,703	kW	Type de contrôle de la puissance thermique/de la température de la pièce (sélectionner un seul type)	
À la puissance thermique minimale	e_{lmin}	N/A	kW	Contrôle de la puissance thermique à un palier, pas de contrôle de la température de la pièce.	Non
En mode veille	e_{lsb}	0,000228	kW	Contrôle à deux ou plusieurs paliers manuels, pas de contrôle de la température de la pièce.	Non
				Contrôle de la température de la pièce avec thermostat mécanique.	Non
				Contrôle électronique de la température de la pièce.	Non
				Contrôle électronique de la température de la pièce et programmateur journalier.	Non
				Contrôle électronique de la température de la pièce et programmateur hebdomadaire.	Oui

				Autres options de contrôle (sélectionner une ou plusieurs options)	
				Contrôle de la température de la pièce, avec détecteur de présence.	Non
				Contrôle de la température de la pièce, avec détecteur de fenêtre ouverte.	Oui
				Option contrôle à distance	Non
				Contrôle adaptatif de l'activation	Non
				Limitation de la durée d'activation	Non
				Capteur à globe noir	Non
Coordonnées de contact	Emerio Switzerland AG Oberneuhofstrasse 1 6340 Baar Switzerland				

Satisfait aux exigences des Directives du Conseil :

Règlement (UE) n° 2015/1188 de la Commission du 28 avril 2015 et amendé par le règlement (UE) n° 2016/2282 de la Commission portant application de la directive 2009/125/CE du Parlement européen et du Conseil en ce qui concerne les exigences d'écoconception des dispositifs de chauffage décentralisés.

En ce qui concerne les informations pour les consommateurs sur comment installer, utiliser et entretenir le produit, les informations DEEE, consultez le manuel d'instruction fourni avec l'emballage.

ISTRUZIONI DI SICUREZZA

Prima dell'uso, accertarsi di aver letto tutte le istruzioni riportate di seguito per evitare lesioni o danni e ottenere i migliori risultati dall'apparecchio. Conservare questo manuale in un luogo sicuro. In caso di passaggio di proprietà dell'apparecchio, includere anche questo manuale di istruzioni.


In caso di danni causati dal mancato rispetto delle istruzioni riportate in questo manuale, la garanzia sarà annullata. Il costruttore/importatore declina ogni responsabilità per danni causati dal mancato rispetto del manuale o da un uso negligente o non conforme con i requisiti riportati in questo manuale.

1. Leggere e conservare queste istruzioni. Attenzione! Le immagini contenute nel manuale sono esclusivamente a scopo di riferimento.
2. Questo dispositivo può essere utilizzato da bambini dagli 8 anni in su e da persone con ridotte capacità fisiche, sensoriali o mentali o che non abbiano la necessaria esperienza e conoscenza se hanno ricevuto adeguate istruzioni per utilizzare il dispositivo in maniera sicura e hanno compreso i rischi impliciti.
3. I bambini non devono giocare con il dispositivo.
4. La pulizia e la manutenzione da parte dell'utente non deve essere effettuata da bambini senza supervisione.
5. I bambini al di sotto dei 3 anni devono essere sempre supervisionati.
6. I bambini tra i 3 e gli 8 anni accenderanno/spegneranno il dispositivo purchè sia stato posizionato o installato nella sua normale posizione di funzionamento e purchè abbiano ricevuto una adeguata supervisione o istruzioni sull'utilizzo del dispositivo in modo sicuro e purchè comprendano i rischi impliciti del suo utilizzo. I bambini

dai 3 anni agli 8 non collegheranno, regoleranno nè svolgeranno operazioni di pulizia o manutenzione sullo stesso.

7. **ATTENZIONE – Alcune parti del presente prodotto possono diventare molto calde e causare scottature. Fare particolare attenzione nel caso in cui siano presenti bambini e persone vulnerabili.**
8. Se il cavo di alimentazione è danneggiato, farlo sostituire dal produttore, dal servizio assistenza o personale qualificato per evitare pericoli.
9. Questo apparecchio è destinato all'uso domestico e applicazioni simili.
10. Non usare all'esterno. Non usare l'apparecchio per asciugare indumenti o tessuti.
11. Il radiatore non deve essere posizionato immediatamente sotto una presa di corrente.
12. Non usare il riscaldatore se il cavo di alimentazione è danneggiato.
13. **AVVERTENZA:** Per evitare che si surriscaldi, non coprire il riscaldatore.
14. **AVVERTENZA!** Non usare l'apparecchio se il pannello è danneggiato.
15. L'apparecchio deve essere installato in modo tale che gli interruttori e gli altri controlli non possano essere toccati da persone nella vasca da bagno o nella doccia.
16. Non utilizzare l'unità nelle immediate vicinanze di bagni, docce o piscine.

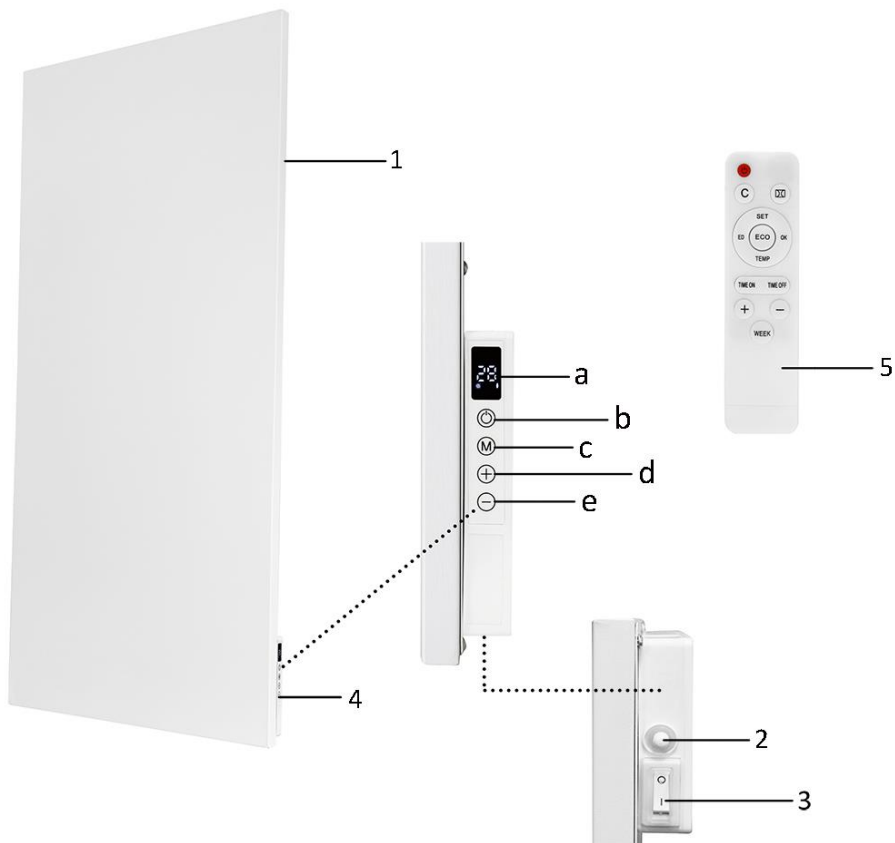


17.  Significa: “NON COPRIRE”.
18. Conservare materiali combustibili come mobili, cuscini, lenzuola, giornali, indumenti, tende, ecc. ad almeno 100 cm di distanza dall'apparecchio.

19. Questo apparecchio contiene parti calde che emettono scintille o archi elettrici. Non usare l'apparecchio in locali in cui benzina, vernici o liquidi infiammabili sono usati o conservati.
20. Scollegare l'apparecchio dalla rete elettrica quando non è in uso.
21. L'apparecchio è caldo durante l'uso. Per evitare il rischio di ustioni, evitare il contatto della pelle nuda con le superfici calde.
22. La tensione e la frequenza della rete elettrica in uso devono corrispondere ai dati riportati sull'apparecchio. Utilizzare esclusivamente una presa di corrente non danneggiata, dotata di messa a terra e protetta da un interruttore differenziale con corrente di intervento non superiore a 30 mA. La presa di corrente deve rimanere facilmente accessibile per poter scollegare il cavo di alimentazione in caso di emergenza.
23. Svolgere completamente il cavo di alimentazione prima di collegare l'apparecchio alla presa di corrente. Assicurarsi che non entri a contatto con alcuna parte dell'apparecchio ed evitare che si riscaldi in qualsiasi altro modo. Non posizionare il cavo sotto moquette, tappeti o oggetti simili o in zone di passaggio. Non posizionare il cavo sotto mobili o in punti in cui può essere calpestato. Non posizionare il cavo lungo angoli appuntiti e non avvolgerlo eccessivamente dopo l'uso.
24. Se possibile, non usare prolunghe per evitare il rischio di surriscaldamento e incendio. Se l'uso di una prolunga è inevitabile, assicurarsi che non sia danneggiata e che sia omologata; deve avere un diametro minimo di $2 \times 1,5 \text{ mm}^2$ e una potenza minima consentita di 1000 watt. Estendere completamente il cavo per evitare il rischio di surriscaldamento.
25. Non usare l'apparecchio all'aperto o in locali di volume inferiore a 7 m^3 .

26. Assicurarsi che l'aria possa circolare liberamente intorno all'apparecchio. Non posizionare l'apparecchio nelle immediate vicinanze di pareti o oggetti di grandi dimensioni o sotto mensole, armadietti o oggetti simili: lasciare uno spazio libero di almeno 30 cm da tutti i lati e di almeno 20 cm dal pavimento. Quando è appeso, non ostruire lo spazio tra l'apparecchio e la parete.
27. Supervisionare l'apparecchio quando è in uso in presenza di bambini, persone disabili o animali. Tenere le persone non in grado di abbandonare autonomamente il locale a distanza dall'apparecchio quando è in funzione. Poiché la superficie dell'apparecchio diventa molto calda (fino a 95°C), tenere a distanza bambini e persone disabili. Tenere i materiali di imballaggio fuori dalla portata dei bambini.
28. Spegnerne l'apparecchio, scollegarlo dalla presa di corrente e lasciarlo raffreddare prima di:
 - pulirlo;
 - sottoporlo a manutenzione;
 - toccarlo o spostarlo.
29. Mantenere l'apparecchio pulito. Polvere, sporcizia e/o altri depositi all'interno o dietro l'apparecchio sono spesso causa di surriscaldamento. Assicurarsi di rimuoverli periodicamente.
30. L'apparecchio (inclusi la spina e il cavo di alimentazione) può essere aperto e/o riparato esclusivamente da personale autorizzato e qualificato.
31. Usare l'apparecchio esclusivamente per lo scopo per cui è progettato e come descritto in questo manuale.
32. Per quanto riguarda le informazioni che riguardano l'installazione, far riferimento al paragrafo di seguito del manuale.

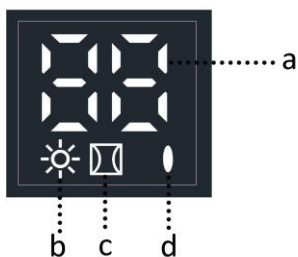
DESCRIZIONE DELLE PARTI



1. Pannello riscaldante
2. Sensore della temperatura
3. Interruttore di alimentazione
4. Pannello di controllo
5. Telecomando

- a) Display LED
- b) Pulsante di avvio/arresto
- c) Pulsante di impostazione di giorno e ora
- d) Pulsante di aumento del valore
- e) Pulsante di diminuzione del valore

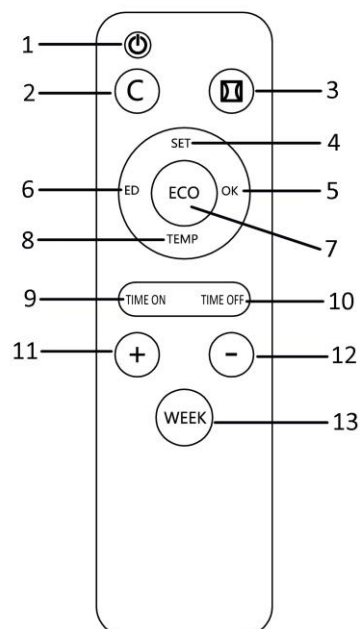
Display LED



- a) Temperatura / Giorno
- b) Indicatore di riscaldamento
- c) Indicatore di rilevamento di finestre aperte
- d) Indicatore di alimentazione

Telecomando

1. Pulsante di avvio/arresto
2. Pulsante di annullamento
3. Pulsante di rilevamento di finestre aperte
4. Pulsante SET (impostazione)
5. Pulsante OK
6. Pulsante ED (modifica)
7. Pulsante ECO
8. Pulsante TEMP (temperatura)
9. Pulsante Time on (orario di avvio)
10. Pulsante Time off (orario di arresto)
11. Pulsante di aumento del valore
12. Pulsante di diminuzione del valore
13. Pulsante WEEK (programmazione settimanale)



FISSAGGIO ALLA PARETE

I dispositivi di fissaggio forniti sono destinati a pareti in mattoni. Per superfici di tipo diverso, utilizzare i dispositivi di fissaggio appropriati.

Questo apparecchio è progettato per essere appeso alla parete. Non deve essere usato finché non è stato installato correttamente come descritto in queste istruzioni. Non usarlo se non è appeso saldamente alla parete o se è solo appoggiato.

Rispettare le distanze minime di posizionamento riportate in Fig. 1.

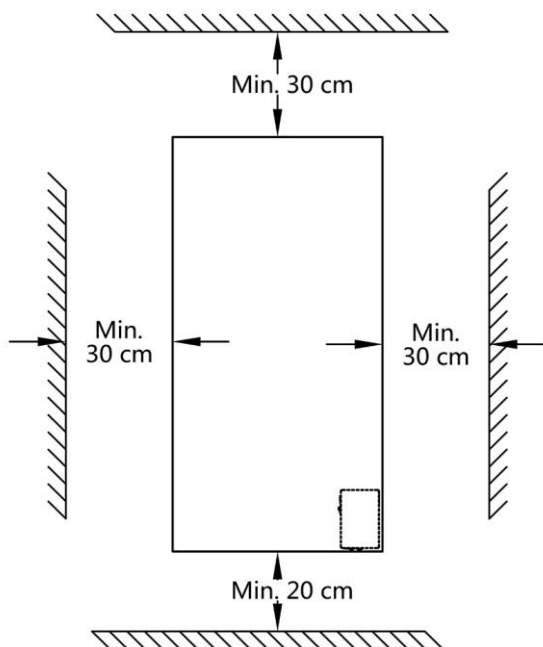


Fig. 1

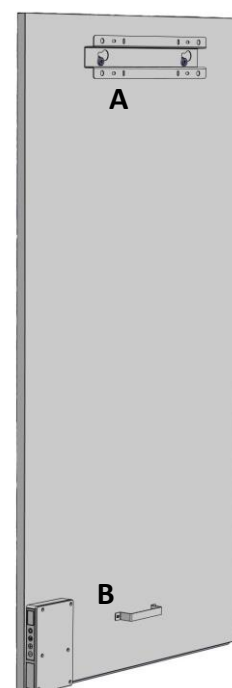


Fig. 2

Fare riferimento alla Fig. 2: per poter installare l'apparecchio **verticalmente**, è necessario installare il sistema di fissaggio a parete (A e B) sul retro dell'apparecchio. Visto dal davanti, l'interruttore di alimentazione deve trovarsi sul lato inferiore, e il pannello di controllo sul lato destro.

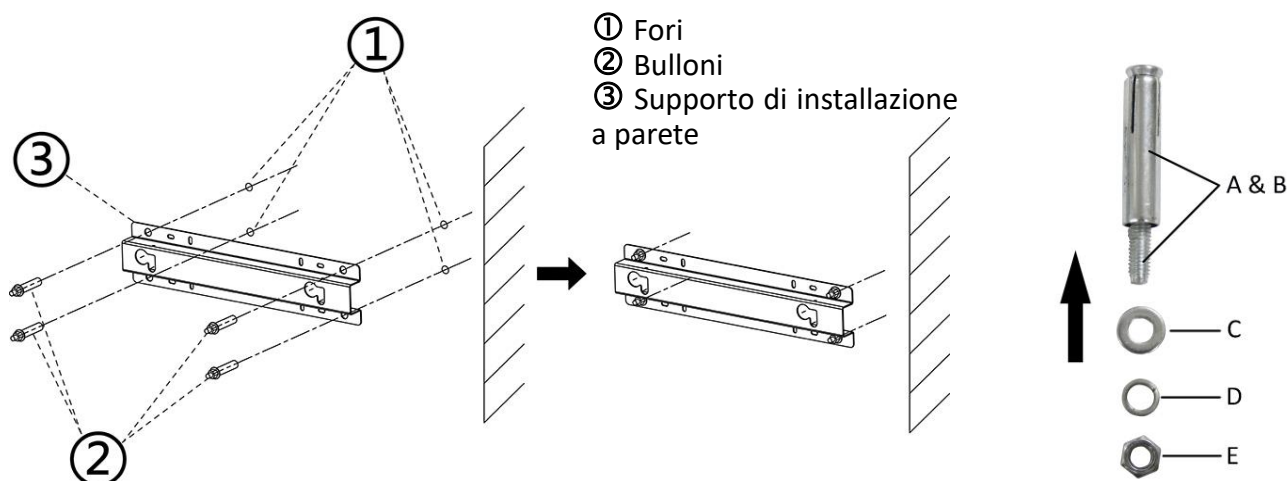
A. Supporto di installazione a parete e pomelli

B. Distanziatore (per mantenere l'apparecchio alla distanza corretta dalla parete)

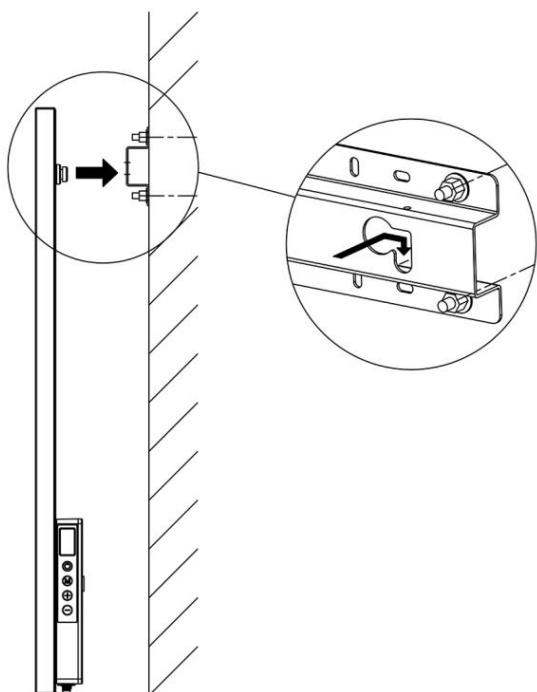
Nota: i pomelli e il distanziatore sono preinstallati sul lato posteriore dell'apparecchio

Per installare il supporto di installazione a parete, procedere come descritto di seguito.

1. Selezionare una parete verticale solida, piana e resistente al calore per appenderci l'apparecchio.
2. Determinare la posizione del supporto di installazione a parete: il supporto deve essere installato orizzontalmente rispetto alla parete. Posizionare il supporto in modo tale da rispettare le distanze minime riportate in Fig. 1 quando l'apparecchio è fissato alla parete. Fissare il supporto orientandolo correttamente (con la scritta "This side up" in alto).
3. Contrassegnare sulla parete le posizioni dei quattro fori da praticare.
4. Praticare i fori con una punta da 10 mm.
5. Inserire i bulloni (A e B) nei fori con un martello. Posizionare il supporto e fissarlo saldamente alla parete usando la rondella (C), la guarnizione (D) e il dado (E).



6. Appendere l'apparecchio infilando i pomelli negli occhielli sul supporto di installazione a parete. Fare scorrere l'apparecchio verso destra e abbassarlo fino in fondo. Ora l'apparecchio è fissato saldamente.



7. Per rimuovere l'apparecchio dalla parete, sollevarlo e farlo scorrere in direzione opposta finché i pomelli non si trovano nuovamente in corrispondenza degli occhielli.

Nota: guidare il cavo di alimentazione immediatamente verso il basso e assicurarsi che non entri a contatto con l'apparecchio. Non nascondere il cavo dietro l'apparecchio!

UTILIZZO

Collegare l'apparecchio a una presa di corrente adatta. Accendere l'apparecchio portando l'interruttore di alimentazione in posizione "I". L'indicatore di alimentazione si illuminerà sul display. L'apparecchio entrerà in modalità di standby.

Per controllare l'apparecchio è possibile utilizzare il pannello di controllo sull'apparecchio o il telecomando. Il pannello di controllo dà accesso esclusivamente alle funzioni principali. Il telecomando dà accesso anche alle funzioni avanzate.

Orientare il telecomando verso il display durante l'uso.

Funzioni principali

1. Premere il pulsante di avvio/arresto per avviare l'apparecchio. Premere nuovamente il pulsante per arrestare l'apparecchio.
2. Impostazione della temperatura
 - 1) Premere il pulsante + o – per impostare la temperatura desiderata. È possibile impostare una temperatura compresa tra 0°C e 37 °C. Tenere premuti i pulsanti per scorrere rapidamente le cifre.
 - 2) Sul display lampeggerà per circa 10 secondi la temperatura impostata, quindi riapparirà la temperatura corrente. Ciò indica che la temperatura è stata impostata.
 - 3) Se la temperatura impostata è superiore alla temperatura corrente l'apparecchio si avvierà, e l'indicatore di riscaldamento si accenderà sul display. Al raggiungimento della temperatura impostata l'apparecchio si arresterà automaticamente, e si riavvierà quando la temperatura corrente scende al di sotto di quella impostata. L'indicatore di riscaldamento si accenderà o si spegnerà di conseguenza.

Nota: se non viene premuto alcun pulsante entro due minuti circa, la temperatura corrente scomparirà dal display. Premere qualsiasi pulsante per visualizzare la temperatura corrente.
3. Prima di impostare la programmazione settimanale è necessario impostare l'ora e il giorno correnti.
 - 1) Accendere l'apparecchio senza avviare la funzione di riscaldamento. Sul display l'indicatore di riscaldamento deve essere spento (per evitare che l'apparecchio si avvii, impostare una temperatura inferiore a quella corrente).
 - 2) Procedere come descritto di seguito per impostare il giorno e l'ora correnti. Premere il pulsante M sul pannello di controllo o il pulsante SET sul telecomando.

Passaggi	Pulsante	Display	Note
1	M / SET (3 sec.)	"HH" lampeggiante	Impostare il giorno della settimana corrente.
2	+ o –	Da 01 a 07	01 = lunedì, 02 = martedì 03 = mercoledì, 04 = giovedì, 05 = venerdì, 06 = sabato, 07 = domenica
3	M / SET	"H1" lampeggiante	Impostare l'ora corrente.
4	+ o –	Da 00 a 23	Selezionare l'ora corrente.
5	M / SET	"H2" lampeggiante	Impostare i minuti correnti.
6	+ o –	Da 00 a 59	Selezionare i minuti correnti.
7	M / SET	Temperatura corrente	Il giorno e l'ora sono stati impostati.

4. Visualizzazione del giorno e dell'ora correnti
 - 1) Accendere l'apparecchio e avviare la funzione di riscaldamento. Sul display l'indicatore di riscaldamento deve essere acceso (per assicurarsi che l'apparecchio si avvii, impostare una temperatura superiore a quella corrente).
 - 2) Premere il pulsante M sul pannello di controllo o il pulsante SET sul telecomando per visualizzare il giorno e l'ora correnti:
HH: giorno della settimana; H1: ora; H2: minuti.

Funzioni avanzate (solo con telecomando)

Programmazione settimanale

1. Procedere come descritto di seguito per impostare la programmazione settimanale.

Passag	Pulsante	Display	Note
1	WEEK (3 sec.)	"UU" lampeggiante	
2	SET	"ON" o "OF"	
3	+ o -	"ON" o "OF" lampeggiante	Selezionare: + = ON: la programmazione settimanale è attiva (l'apparecchio si avvia e si spegne automaticamente agli orari impostati). - = OF: la programmazione settimanale non è attiva
4	OK	"UU"	
5	SET	"01" o "99"	
6	+ o -	"01" o "99" lampeggiante	Selezionare: + = 01: la programmazione verrà eseguita una sola volta. - = 99: la programmazione verrà eseguita ripetutamente. V. Nota 1.
7	OK	"UU"	
8	SET	"U1" lampeggiante	
9	+ o -	Da "U1" a "U7" lampeggiante	Selezionare il giorno della settimana (U1 = lunedì, U2 = martedì, ecc.) da programmare.
10	OK	Il giorno impostato	
11	ED	"01" lampeggiante	
12	+ o -	Da "01" a "04" lampeggiante	È possibile impostare fino a 4 intervalli al giorno. Associare a ogni intervallo un numero diverso (01, 02, 03 o 04). V. Nota 2.
13	OK	Il numero impostato	
14	TEMP	"HP"	
15	+ o -	Da "00" a "37" lampeggiante	Impostare la temperatura desiderata (da 0°C a 37°C). La temperatura predefinita è 20°C.
16	OK	La temperatura impostata	
17	TIME ON	"HE"	
18	+ o -	Da "00" a "23" lampeggiante	Impostare l'orario di avvio tra 00 e 23. V. Nota 3.
19	OK	L'orario di avvio impostato	
20	TIME OFF	"HF"	
21	+ o -	Orario di avvio + da "1" a "24" lampeggiante	Impostare l'orario di arresto tra 1 e 24. Ad esempio, se l'orario di avvio è 10, l'orario di arresto può essere impostato da 11 a 24. V. Nota 3.
22	OK	L'orario di arresto impostato	
La programmazione è terminata. Dopo circa 10 secondi, sul display apparirà la temperatura corrente. Per effettuare una nuova programmazione, ripetere l'operazione descritta.			

Nota 1

Se si seleziona "01" (solo una volta), le impostazioni si applicano alla settimana corrente. La domenica (giorno 7) alle 24:00, la programmazione 01 verrà disattivata. Pertanto, una programmazione effettuata di martedì sarà attiva anche il sabato, ma una programmazione effettuata di sabato non sarà attiva il martedì.

Nota 2

Se per il giorno impostato è già stato impostato l'intervallo 01, è necessario selezionare manualmente l'intervallo 02 usando il pulsante +. In caso contrario l'intervallo 01 verrà sovrascritto.

Nota 3

Gli orari di avvio e di arresto possono essere effettuati solo in ore (non in minuti).

Note

- Se l'apparecchio viene spento tramite l'interruttore di alimentazione o scollegando il cavo di alimentazione dalla presa di corrente, alla successiva riaccensione il giorno della settimana sarà reimpostato a 01 e l'orario a 00 (ore) e 00 (minuti). Invece la programmazione impostata in precedenza sarà memorizzata. Tuttavia, per evitare che l'apparecchio si avvii e si arresti agli orari scorretti, la programmazione settimanale sarà automaticamente disattivata (sul display apparirà "OF"). Alla successiva riaccensione dell'apparecchio, assicurarsi di reimpostare il giorno e l'ora correnti e di attivare la programmazione settimanale (sul display deve apparire "ON") come descritto in precedenza.
- Se durante l'impostazione della programmazione non viene premuto alcun pulsante per circa 10 secondi, le impostazioni saranno annullate e sarà necessario ricominciare da capo.
- Tutte le programmazioni (28 impostazioni massime totali: sette (7) giorni per quattro (4) intervalli al giorno) verranno attivate consecutivamente. Pertanto, assicurarsi che NON siano in contraddizione.

2. Annullamento della programmazione

1) Annullamento di tutta la programmazione

Tenere premuto il pulsante WEEK per circa 3 secondi finché sul display non lampeggia "UU".

Tenere premuto il pulsante C finché non viene emesso un segnale acustico, a indicare che tutta la programmazione è stata annullata.

2) Annullamento di tutta la programmazione di un singolo giorno

Tenere premuto il pulsante WEEK per circa 3 secondi finché sul display non lampeggia "UU".

Premere ripetutamente il pulsante SET finché sul display non lampeggia "U1" (giorno 1, ad esempio).

Premere il pulsante + o – per selezionare il giorno desiderato.

Tenere premuto il pulsante C finché non viene emesso un segnale acustico, a indicare che tutta la programmazione del giorno è stata annullata.

3) Annullamento di uno specifico intervallo

Tenere premuto il pulsante WEEK per circa 3 secondi finché sul display non lampeggia "UU".

Premere ripetutamente il pulsante SET finché sul display non lampeggia "U1" (giorno 1, ad esempio).

Premere il pulsante + o – per selezionare il giorno dell'intervallo desiderato.

Premere il pulsante ED.

Premere il pulsante + o – per selezionare il numero dell'intervallo desiderato.

Tenere premuto il pulsante C finché non viene emesso un segnale acustico, a indicare che la programmazione dell'intervallo è stata annullata.

3. Visualizzazione della programmazione

Premere ripetutamente il pulsante WEEK. Appariranno le seguenti impostazioni in sequenza:

- Programmazione attiva (ON) o programmazione non attiva ("OF")
- Una sola volta (01) o ripetuta (99)
- Giorno della settimana (U1-U7)
- Intervallo del giorno corrente (01, 02, 03 o 04).
- Temperatura impostata
- Ora di avvio
- Ora di arresto

Verranno visualizzate tutte le 28 impostazioni di programmazione e gli intervalli non impostati. La temperatura predefinita degli intervalli non impostati è 20°C.

Rilevamento di finestre aperte

Premere il pulsante di rilevamento di finestre aperte sul telecomando. L'indicatore di rilevamento di finestre aperte apparirà sul display. Se la temperatura del locale diminuisce di 8°C o più in 15 minuti, l'apparecchio si arresterà e l'indicatore lampeggerà. Premere nuovamente il pulsante per riavviare l'apparecchio.

Funzione ECO

Questo apparecchio è dotato della funzione ECO. Dopo aver premuto il pulsante ECO, sul display apparirà "EC". L'apparecchio si avvierà quando la temperatura del locale scende sotto 16°C e si arresterà quando la temperatura del locale supera i 16°C. Premere nuovamente il pulsante ECO per disattivare la funzione ECO.

PROTEZIONE CONTRO IL SURRISCALDAMENTO

In caso di surriscaldamento interno, un apposito dispositivo di sicurezza arresterà l'apparecchio. Ciò può accadere se l'apparecchio non riesce a emettere aria calda o a incamerare aria fresca. Come menzionato in precedenza, ciò è generalmente causato dalla (parziale) copertura dell'apparecchio o in caso di presenza di oggetti nelle immediate vicinanze. In caso di surriscaldamento, spegnere l'apparecchio e scollegarlo dalla presa di corrente. Lasciare che l'apparecchio si raffreddi, rimuovere la causa del surriscaldamento e riprendere il funzionamento normale. Se il problema persiste o se la causa del surriscaldamento non è stata individuata, spegnere l'apparecchio e scollegarlo dalla presa di corrente. Contattare un centro di assistenza affinché l'apparecchio venga riparato.

PULIZIA E MANUTENZIONE

Mantenere l'apparecchio pulito. Spegnerlo, scollegarlo dalla presa di corrente e attendere che si raffreddi prima di sottoporlo a pulizia o manutenzione.

- Pulire periodicamente l'esterno dell'apparecchio con un panno asciutto o leggermente umido. Non usare detersivi aggressivi o abrasivi, spray, cere, lucidi o soluzioni chimiche per evitare graffi e danni permanenti alla superficie. Per rimuovere la polvere dal retro dell'apparecchio, usare un piumino. Per una pulizia profonda del retro dell'apparecchio è possibile rimuoverlo dalla parete.
- Se si desidera riporre l'apparecchio al termine della stagione, rimuoverlo dalla parete, rimuovere il supporto di installazione a parete e riporre l'intero apparecchio (nella confezione originale) in posizione verticale in un luogo fresco, asciutto e al riparo dal gelo.

DATI TECNICI

Voltaggio di esercizio: 230V ~ 50-60Hz

Consumo di energia: 720W

GARANZIA E SERVIZIO DI ASSISTENZA

Prima della fornitura, i nostri apparecchi vengono sottoposti ad un severo controllo di qualità. Se, nonostante la massima cura, si sono verificati danni durante la produzione o il trasporto, si prega di restituire l'apparecchio al rivenditore. Oltre ai diritti legali previsti dalla legge, l'acquirente può far valere i diritti derivanti dalla seguente garanzia:

Concediamo 2 anni di garanzia sull'apparecchio acquistato; il periodo di garanzia inizia dal giorno dell'acquisto. Se il prodotto è difettoso, rivolgersi al punto vendita.

I difetti derivanti da un uso scorretto dell'apparecchio e le malfunzioni dovute all'intervento o alla riparazione da parte di terzi o alla sostituzione di componenti con ricambi non originali non sono coperti da questa garanzia. Conservare sempre lo scontrino, senza il quale non è possibile far valere la garanzia. I danni dovuti al non rispetto del manuale di istruzioni rendono nulla la garanzia; se ciò porta a conseguenti danni non potremmo essere ritenuti responsabili. Decliniamo inoltre qualsiasi responsabilità per eventuali danni o lesioni personali causati da un uso improprio o in caso di mancata aderenza al manuale di istruzioni. Eventuali danni agli accessori non implicano la sostituzione gratuita dell'intero apparecchio. In tal caso, contattare il reparto di assistenza. La rottura di componenti in vetro o plastica è sempre soggetta a un costo. I difetti ai componenti di consumo o a componenti soggetti a usura, compresa la pulizia, manutenzione, sostituzione o le spese di spedizione e di trasporto verso il luogo di riparazione e ritorno, degli stessi, non sono coperti dalla garanzia e saranno soggetti a un costo.

SMALTIMENTO ECOCOMPATIBILE



Riciclaggio – Direttiva europea 2012/19/EU

Questo simbolo indica che il prodotto non deve essere smaltito con altri rifiuti domestici. Per prevenire rischi all'ambiente o alla salute da uno smaltimento non controllato, riciclare responsabilmente per promuovere un riutilizzo sostenibile delle risorse materiali. Per restituire il dispositivo utilizzato, servirsi dei sistemi di restituzione e raccolta o contattare il proprio rivenditore autorizzato dove il prodotto è stato acquistato. Il rivenditore autorizzato si occuperà dello smaltimento sicuro del prodotto.



RICICLARE O SMALTIRE LE BATTERIE NEL MODO CORRETTO. NON APRIRLE. NON BRUCIARLE E NON CORTO-CIRCUITARLE.

Emerio Switzerland AG
Oberneuhofstrasse 1
6340 Baar
Switzerland

Informazioni ERP (IT)

Il fornitore: Emerio Switzerland AG
 Oberneuhofstrasse 1
 6340 Baar
 Switzerland

dichiara che il prodotto descritto di seguito

Informazioni obbligatorie per gli apparecchi per il riscaldamento d'ambiente locale elettrici

Identificativo del modello:					
Dato	Simbolo	Valore	Unità	Dato	Unità
Potenza termica				Tipo di potenza termica, solo per gli apparecchi per il riscaldamento d'ambiente locale elettrici ad accumulo (indicare una sola opzione)	
Potenza termica nominale	P_{nom}	0,7	kW	controllo manuale del carico termico, con termostato integrato	No
Potenza termica minima (indicativa)	P_{min}	N/A	kW	controllo manuale del carico termico con riscontro della temperatura ambiente e/o esterna	No
Massima potenza termica continua	$P_{max,c}$	0,7	kW	controllo elettronico del carico termico con riscontro della temperatura ambiente e/o esterna	No
Consumo ausiliario di energia elettrica				potenza termica assistita da ventilatore	No
Alla potenza termica nominale	e_{lmax}	0,703	kW	Tipo di potenza termica/controllo della temperatura ambiente (indicare una sola opzione)	
Alla potenza termica minima	e_{lmin}	N/A	kW	potenza termica a fase unica senza controllo della temperatura ambiente	No
In modalità standby	e_{lsb}	0,000228	kW	due o più fasi manuali senza controllo della temperatura ambiente	No
				con controllo della temperatura ambiente tramite termostato meccanico	No
				con controllo elettronico della temperatura ambiente	No
				con controllo elettronico della temperatura ambiente e temporizzatore giornaliero	No
				con controllo elettronico della temperatura ambiente e temporizzatore settimanale	Sì

				Altre opzioni di controllo (è possibile selezionare più opzioni)	
				controllo della temperatura ambiente con rilevamento di presenza	No
				controllo della temperatura ambiente con rilevamento di finestre aperte	Sì
				con opzione di controllo a distanza	No
				con controllo di avviamento adattabile	No
				con limitazione del tempo di funzionamento	No
				con termometro a globo nero	No
Contatti	Emerio Switzerland AG Oberneuhofstrasse 1 6340 Baar Switzerland				

è conforme ai requisiti fissati dalle seguenti direttive:

REGOLAMENTO (UE) N. 2015/1188 DELLA COMMISSIONE del 28 aprile 2015 e REGOLAMENTO (UE) N. 2016/2282 recante modalità di applicazione della direttiva 2009/125/CE del Parlamento europeo e del Consiglio in merito alle specifiche per la progettazione ecocompatibile degli apparecchi per il riscaldamento d'ambiente locale

Per le informazioni destinate ai consumatori sulle modalità di installazione, utilizzo e manutenzione del prodotto e le informazioni RAEE, consultare il manuale di istruzioni incluso nella confezione.