

emerio®

DF-120485



Deep fryer (EN)

Fritteuse (DE)

Friteuse (FR)

Fritös (SE)

Friteuse (NL)

Smażarka (PL)

Freidora (ES)



Content – Inhalt – Teneur – Innehåll – Inhoud – Treść – Contenido

Instruction manual – English	- 2 -
Bedienungsanleitung – German	- 8 -
Mode d’emploi – French	- 15 -
Bruksanvisning – Swedish.....	- 21 -
Gebruiksaanwijzing – Dutch	- 27 -
Instrukcja obsługi – Polish	- 33 -
Manual de instrucciones – Spanish	- 39 -

SAFETY INSTRUCTIONS

Before use make sure to read all of the below instructions in order to avoid injury or damage, and to get the best results from the appliance. Make sure to keep this manual in a safe place. If you give or transfer this appliance to someone else make sure to also include this manual.

In case of damage caused by user failing to follow the instructions in this manual the warranty will be void. The manufacturer/importer accepts no liability for damages caused by failure to follow the manual, a negligent use or use not in accordance with the requirements of this manual.

1. This appliance shall not be used by children from 0 year to 8 years. This appliance can be used by children aged from 8 years and above if they are continuously supervised. This appliance can be used by people with reduced physical, sensory or mental capabilities or lack of experience and knowledge if they have been given supervision or instruction concerning use of the appliance in a safe way and understand the hazards involved.
2. Keep the appliance and its cord out of reach of children less than 8 years.
3. Children shall not play with the appliance.
4. Cleaning and user maintenance shall not be made by children.
5. Cooking appliances should be positioned in a stable situation with the handles (if any) positioned to avoid spillage of the hot liquids.
6. If the supply cord is damaged, it must be replaced by the manufacturer, its service agent or similarly qualified persons in order to avoid a hazard.
7. This appliance is intended to be used in household and similar applications such as: staff kitchen areas in shops, offices and other working environments; farm houses; by clients in hotels, motels and other residential type environment; bed and breakfast type environments.
8. Regarding the instructions for cleaning the surfaces which come in contact with food or oil, please refer to the paragraph "cleaning and maintenance" of the manual.
9. This appliance is not intended to be operated by means of an external timer or separate remote-control system.
10. If an extension cord is used it must be suited to the power consumption of the appliance, otherwise overheating of the extension cord and/or plug may occur. There is a potential risk of injuries from tripping over the extension cord. Be careful to avoid dangerous situations.
11. Before inserting the plug into the mains socket, please check that the voltage and frequency comply with the specifications on the rating label.
12. Disconnect the mains plug from the socket when the appliance is not in use and before cleaning.
13. Ensure that the mains cable is not hung over sharp edges and keep it away from hot objects and open flames.
14. Do not immerse the appliance or the mains plug in water or other liquids. There is danger to life due to electric shock!
15. To remove the plug from the plug socket, pull the plug. Do not pull the power cord.
16. Do not touch the appliance if it falls into water. Remove the plug from its socket, turn off the appliance and send it to an authorized service center for repair.
17. Do not plug or unplug the appliance from the electrical outlet with a wet hand.
18. Never attempt to open the housing of the appliance, or to repair the appliance yourself. This could cause electric shock.
19. Never leave the appliance unattended during use.
20. This appliance is not designed for commercial use.
21. Do not use the appliance for other than intended use.
22. Do not wind the cord around the appliance and do not bend it.
23. Place the appliance on a stable, level surface from which it cannot fall off.
24. Clean the product itself with a slightly damp cloth.
25. Do not operate the machine without supervision, if you should leave the workplace, always switch the machine off or remove the plug from socket (pull the plug it self, not the lead).
26. Do not move the device when the fat is liquid/hot.
27. Please always use the frying basket for deep-frying.
28. Always make sure the oil tank is dry and free of water before use. If not the hot oil can be blown out of the tank and burn and injure people, as the oil and the water have different boiling temperature.
29. Warning: Never mix fats and oils, as the deep fat fryer could spill over. Also never mix various types of oil and fat with one another.

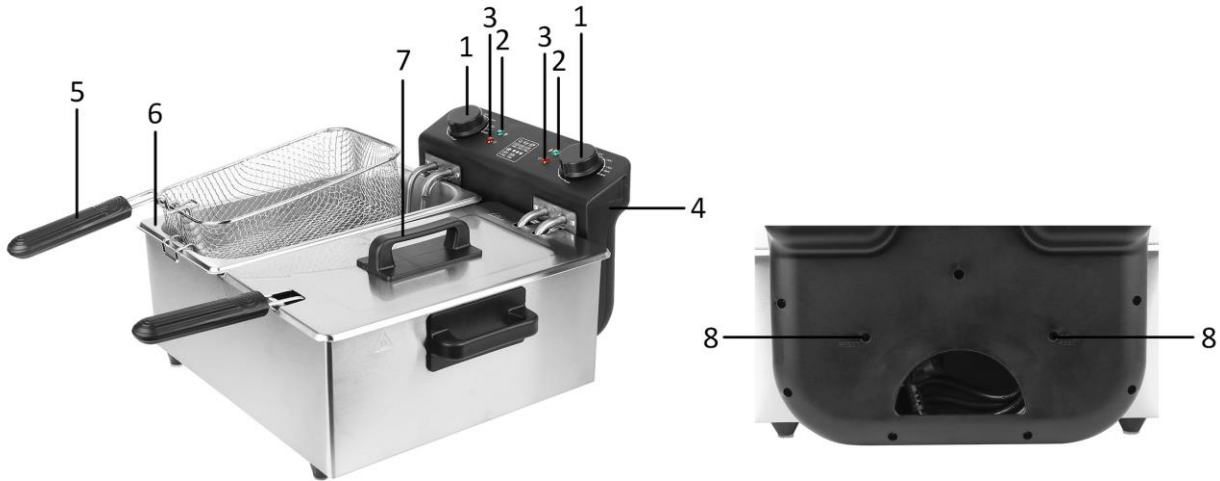
30. If the deep fat fryer should catch fire, do not under any circumstances attempt to extinguish the flames with water, instead, replace the lid and suffocate the flames with a damp cloth.



31. Caution, hot surface.

WARNING!! Please do not touch surface while in use. The temperature of accessible surfaces may be high when the appliance is operating.

PARTS DESCRIPTION



1. Thermostat knob
2. Green temperature control light
3. Red power indicator light
4. Detachable control unit with heating element
5. Handle of basket
6. Detachable inner tank
7. Handle of lid
8. Reset button

BEFORE USE

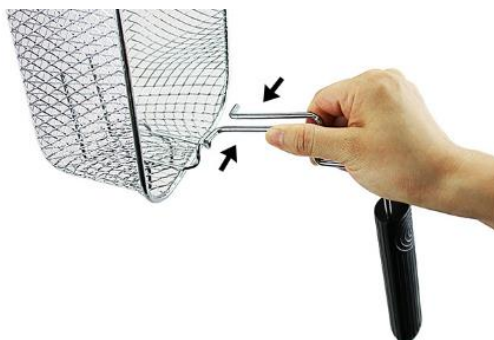
First read all instructions before use and retain for later reference. Only plug this appliance into an earthed socket.

Before first use, remove the packing materials. Then, wash the accessories and the inner tank in warm water. Dry them well before use. Make sure that the electrical parts remain dry. The deep fryer is equipped with two detachable tanks; you can fry different types of food at the same time. Each heating element is connected with one adjustable thermostat and indicator lamps. The “open” frying system ensures excellent professional results and easy cleaning.

The appliance may emit some smoke and a characteristic smell when you switch it on for the first time. This is normal and will stop soon.

HOW TO OPERATE THE DEEP FRYER

To fix the handle to the basket, press the ends together and insert the ends into the two rounds inside the basket. Press the handle on the rectangular metal part of the basket. Make sure it fits firmly.





1. Never switch on the deep fryer without oil or fat, as this could damage the machine. Also, do not place any other liquids such as water or other substances in the tank.
2. Place the deep fryer on a dry, stable surface.
3. Since the deep fryer becomes hot during use, make sure that it is not too close to other objects.
4. Remove the lid from the deep fryer and take out the accessories. While heating up and frying, do not keep the lid on the appliance to prevent condensation.
5. Fill the deep fryer with the desired amount of oil or liquid fat. Only liquid fat can be used in this type of deep fryer. Make sure that it is filled not less than minimum level and not higher than the maximum level as indicated on the inside of the appliance. Never mix fats and oils, as the deep fat fryer could spill over, even the mixing of various types of oil and fat with one another is dangerous.
6. Connect the power plug to a suitable outlet; the red indicator light illuminates.
7. Set the thermostat to the required temperature setting, which is suitable for what you are frying. Consult the temperature table.
8. The temperature control light illuminates. The oil fat is heated to the required temperature within 20 minutes.
9. Use the handle to place the basket in the deep fryer.
10. Place the food to be deep-fried into the basket. For best result, put dry food into the basket. Never use previously defrosted and subsequently refrozen products. These contain a lot of water which will cause excessive spattering.
11. Lower the basket into the oil slowly to prevent excessive bubbling.
12. The indicator light will go out when the temperature you have selected has been reached. Always wait until the selected temperature has been reached. To keep the oil at the selected temperature, the thermostat repeatedly goes on and off, and the indicator light as well.
13. Raise the basket again when the frying time has elapsed.
14. After frying let the product drip dry, **never shake the basket.**
15. Set the thermostat to the lowest level (turn the thermostat fully anticlockwise.)
16. Remove the plug from the outlet.
17. Rinse the handle and the basket after use, and dry thoroughly.
18. Once the deep fryer has completely cooled off, you can replace the basket in the appliance and store it. Store the deep fryer, with the lid close, in a dark, dry place. In this way, you can leave the oil and the basket in the deep fryer when storing.

FRYING TIPS

1. When using two small baskets, the maximum of food is 700 grams for each basket.
2. If you want to fry deep frozen food, use a maximum of 75% of the above quantities.
3. Always remove excess ice from frozen products before frying.
4. When using fries made from fresh potatoes: dry the fries after washing so that no water will go into the oil.

FRYING TABLE

This table shows the food product quantities and required temperature and frying times. If the instructions on the product pack should deviate from the values shown in this table, the instructions on the pack should be followed.

Temperature	Type of product	Maximum quantity per cycle		Frying time (minutes)	
		Fresh	Deep-frozen	Fresh or defrosted	Deep-frozen
160°C	Home-made chips (first frying cycle)	600g	--	9-10	--
	Fresh fish	500g	--	10-12	--
170°C	Chicken wings	10-12	12-13	10-12	12-13
	Cheese croquettes	10	9	9-10	10-12
	Small potato fritters	--	9	--	9-10
	Fried vegetables (mushrooms, cauliflower)	10-12	--	2-3	--
	Home –made chips (second frying cycle) max.175°C	600g	--	9-10	--
	Deep-frozen chips max.175°C	--	550g	--	5-6
180°C	Spring rolls	7	8	7-8	9-10
	Chicken nuggets	10	12	3-4	4-5
	Mini snacks	10-12	10	3-4	4-5
	Meat balls (small)	8-10	--	3-4	4-5
	Fish fingers	8-10	8	3-4	4-5
	Mussels	15-20	15	3-4	4-5
	Coated squid rings	10-12	10	3-4	4-5
	Fish in batter	10-12	10	3-4	4-5
	Shrimps	10-12	10	3-4	4-5
	Apple rings	5	--	3-4	--
190°C	Potato chips	600g	550g	3-4	5-6
	Aubergine slices	600g	--	3-4	--
	Potato croquettes	5	4	4-5	6-7
	Meat/Fish croquettes	5	4	4-5	6-7
	Doughnuts	4-5	--	5-6	--
	Baked camembert (breaded)	2-4	--	2-3	--
	Cordon bleu	2	--	4-5	--
	Wiener Schnitzel	2	--	3-4	--

TO REPLACE THE OIL

Make sure that the deep fryer and the oil have totally cooled off before replacing the oil. Replace the oil regularly. This is definitely necessary if the oil becomes dark or takes on a different odour. In any case, replace the oil once after every 10 times' usage. Replace the oil all at once; do not mix old and new oil. Discarded oil is a burden to the environment. Do not throw on the normal rubbish bin, but follow the guidelines of the municipal waste collector in your area.

CLEANING AND MAINTENANCE

1. Clean the deep fryer on both the inside and outside regularly.
2. Clean the outside of the deep fryer with a damp cloth and dry with a soft, clean cloth.
3. Never use abrasive cleaners or sponges.
4. The basket and the handle can be cleaned in warm, soapy water. Dry well before using again.
5. When replacing the oil, you can also clean the inside of the deep fryer. Empty the deep fryer and first clean the inside with a paper towel and then with a cloth dipped in soapy water. Then wipe with a damp cloth and allow them to dry thoroughly.
6. All components, with the exception of the electrical parts, may be cleaned in warm soapy water. Dry thoroughly before use.
7. Dishwasher cleaning is not recommended.

TIPS

1. Always place the deep fryer on a stable surface and keep all flammable materials away.
2. Make sure that the deep fryer is not near or on a switched-on hot plate.
3. Before you use the deep fryer it must be filled with the required amount of oil or fat.

4. Never use the deep fryer without oil or fat because this could damage the unit.
5. Never move the deep fryer during use. The oil becomes very hot and you can get burned. Wait to move the deep fryer until the oil has cooled off.
6. This deep fryer is protected with a thermal safety device, which switches the machine off automatically if it overheats.
7. Never immerse the unit in water.
8. Never leave the deep fryer unattended while in use. Always ensure the safety of children if they are near the deep fryer.
9. If the deep fryer and/or cord are damaged, they must be repaired by a professional service department.
10. Do not try to repair the unit by yourself, neither to replace a damaged cord. This requires special tools.
11. Be sure not to damage the heating element. (Do not bend or dent.)
12. The electrical component is equipped with a safety cut-off, which ensures that the heating element can only function when the element is correctly placed on the fryer.

SAFETY

Safety thermal cut-out

In the event of overheating, the thermal cut-out will switch off the deep fat fryer. This can happen if the deep fat fryer is not filled with sufficient oil or solid frying fat is melted in the deep fat fryer. In the case of solid fat, the heating element is unable to radiate the produced heat quickly enough. If the safety thermal cut-out switches off the deep fat fryer, proceed as follows:

- Allow the oil or fat to cool down.
- Carefully push in the reset switch at the rear of the control element with a small screwdriver.

The deep fat fryer is now ready to use again.

Safety switch

The safety switch in the control element ensures that the heating element can only be switched on when the control element locks in position.

TECHNICAL DATA

Operating voltage: 220-240V ~ 50Hz

Power: 3300W

TROUBLESHOOTING

Device is not working

Troubleshooting:

- Check the mains connection.
- Check the position of the thermostat.

Troubleshooting:

Check that the control element is correctly in place.



Other possible causes:

The device is fitted with a **RESET button**.

This prevents the device being switched on accidentally.

Overheating Protection

- If you should accidentally switch on your deep fat fryer when there is no oil or fat in it the overheating protection is automatically turned on. The appliance is no longer ready to be used. Unplug the deep fryer.

- Only after the device has been left to cool down completely should the RESET button on the rear of the control element be operated in order to use the deep fat fryer again. Please use a pointed object for this purpose.



GUARANTEE AND CUSTOMER SERVICE

Before delivery our devices are subjected to rigorous quality control. If, despite all care, damage has occurred during production or transportation, please return the device to your dealer.

For the purchased device we provide 2 years guarantee, commencing from the day of sale. If you have a defective product, you can directly go back to the point of purchase.

Defects which arise due to improper handling of the device and malfunctions due to interventions and repairs by third parties or the fitting of non-original parts are not covered by this guarantee. Always keep your receipt, without the receipt you can't claim any form of warranty. Damage caused by not following the instruction manual, will lead to a void of warranty, if this results in consequential damages then we will not be liable. Neither can we hold responsible for material damage or personal injury caused by improper use or if the instruction manual are not properly executed. Damage to accessories does not mean free replacement of the whole appliance. In such case please contact our service department. Broken glass or breakage of plastic parts is always subject to a charge. Defects to consumables or parts subjected to wearing, as well as cleaning, maintenance or the replacement of said parts are not covered by the warranty and are to be paid.



The crossed out wheeled bin symbol means that this product shall not be disposed of with normal household waste. Electronic and Electrical Equipment not included in the selective sorting process are potentially dangerous for the environment and human health due to the presence of hazardous substances. Please dispose of responsibly at an approved waste or recycling facility.

Emerio B.V.
Oudeweg 115
2031 CC Haarlem
The Netherlands

Customer service:
T: +31 (0) 23 3034369
www.emerio.eu/service

Kundeninformation:
T: +49 (0) 3222 1097 600
www.emerio.eu/service

Klantenservice:
T: +31 (0) 23 3034369
www.emerio.eu/service

Looking for spare parts? Have a look at <https://spareparts.emerio.eu>
Sie brauchen Ersatzteile? Besuchen Sie <https://ersatzteile.emerio.eu>
Onderdelen nodig? Kijk op <https://onderdelen.emerio.eu>



CUSTOMER SERVICE



SPARE PARTS

Bedienungsanleitung – German

SICHERHEITSHINWEISE

Lesen Sie vor dem Gebrauch unbedingt die nachfolgenden Anleitungen, um Verletzungen oder Beschädigungen zu vermeiden und das beste Ergebnis mit dem Gerät zu erzielen. Bewahren Sie diese Bedienungsanleitung an einem sicheren Ort auf. Wenn Sie dieses Gerät an eine andere Person weitergeben, stellen Sie sicher, dass Sie auch diese Bedienungsanleitung aushändigen.

Im Falle von Beschädigungen, die durch die Missachtung der Anleitungen in dieser Bedienungsanleitung verursacht wurden, wird die Garantie ungültig. Der Hersteller/Importeur haftet nicht für Schäden, die durch Missachtung der Bedienungsanleitung, fahrlässigen Gebrauch oder Benutzung, die nicht in Übereinstimmung mit den Anforderungen dieser Bedienungsanleitung erfolgt, verursacht wurden.

1. Dieses Gerät darf nicht von Kindern unter 8 Jahren benutzt werden. Dieses Gerät kann von Kindern ab 8 Jahren benutzt werden, sofern sie kontinuierlich beaufsichtigt werden. Dieses Gerät kann von Personen mit eingeschränkten körperlichen, sensorischen oder geistigen Fähigkeiten oder mit mangelnder Erfahrung und Kenntnis benutzt werden, wenn sie beaufsichtigt werden oder in die sichere Benutzung des Gerätes unterwiesen werden und die damit verbundenen Gefahren verstehen.
2. Halten Sie das Gerät und sein Netzkabel außer Reichweite von Kindern unter 8 Jahren.
3. Kinder dürfen nicht mit dem Gerät spielen.
4. Die Reinigung und vom Benutzer auszuführende Wartungsarbeiten dürfen nicht von Kindern durchgeführt werden.
5. Kochgeräte sollten standsicher und mit den Griffen (sofern vorhanden) so positioniert werden, dass keine heißen Flüssigkeiten vergossen werden können.
6. Wenn das Netzkabel beschädigt ist, muss es vom Hersteller, seinem Kundendienst oder einer ähnlich qualifizierten Person ausgewechselt werden, um Gefahren zu vermeiden.
7. Dieses Gerät ist dafür vorgesehen, im Haushalt und in ähnlichen Einsatzbereichen benutzt zu werden, wie zum Beispiel: Mitarbeiter-Küchenbereiche in Geschäften, Büros und anderen Arbeitsumgebungen; Bauernhöfe; die Benutzung durch Gäste in Hotels, Motels und anderen Unterkunftsarten; Frühstückspensionen.
8. Um Informationen zur Reinigung der Flächen zu erhalten, die mit Lebensmitteln oder Öl in Berührung kommen, lesen Sie bitte den Abschnitt „Reinigung und Wartung“ in der Bedienungsanleitung.
9. Dieses Gerät ist nicht für die Bedienung über einen externen Timer oder ein separates Fernbedienungssystem bestimmt.
10. Falls ein Verlängerungskabel verwendet wird, muss es für den Stromverbrauch des Gerätes geeignet sein, sonst kann es zum Überhitzen des Verlängerungskabels und/oder des Steckers kommen. Es besteht Verletzungsgefahr durch Stolpern über das Verlängerungskabel. Lassen Sie Vorsicht walten, um gefährliche Situationen zu vermeiden.
11. Bevor Sie den Stecker mit der Netzsteckdose verbinden, prüfen Sie bitte, ob die Spannung und die Frequenz mit den Angaben auf dem Typenschild übereinstimmen.
12. Ziehen Sie den Netzstecker aus der Steckdose, wenn das Gerät nicht benutzt und bevor es gereinigt wird.
13. Achten Sie darauf, dass das Netzkabel nicht über scharfe Kanten hängt und halten Sie es von heißen Objekten und offenen Flammen fern.
14. Tauchen Sie das Gerät oder den Netzstecker nicht in Wasser oder andere Flüssigkeiten. Es besteht Lebensgefahr aufgrund von Stromschlag!
15. Um den Stecker aus der Steckdose zu entfernen, ziehen Sie am Stecker. Ziehen Sie nicht am Kabel.
16. Berühren Sie das Gerät nicht, wenn es ins Wasser gefallen ist. Ziehen Sie den Stecker aus der Steckdose, schalten Sie das Gerät aus und schicken Sie es an einen autorisierten Kundendienst zwecks Reparatur.
17. Den Netzstecker des Gerätes nicht mit einer nassen Hand aus der Steckdose ziehen oder mit der Steckdose verbinden.
18. Versuchen Sie unter keinen Umständen, das Gehäuse des Gerätes zu öffnen oder das Gerät selbst zu reparieren. Dies könnte einen Stromschlag verursachen.
19. Lassen Sie das Gerät während des Gebrauchs niemals unbeaufsichtigt.
20. Dieses Gerät ist nicht für den gewerblichen Gebrauch konzipiert.
21. Verwenden Sie das Gerät nur zu seinem bestimmungsgemäßen Zweck.
22. Wickeln Sie das Kabel nicht um das Gerät und knicken Sie es nicht.
23. Stellen Sie das Gerät auf eine stabile, ebene Fläche, von der es nicht herunterfallen kann.
24. Reinigen Sie das Produkt selbst mit einem leicht angefeuchteten Tuch.
25. Lassen Sie das Gerät nicht unbeaufsichtigt laufen. Wenn Sie den Arbeitsplatz verlassen, schalten Sie das Gerät immer aus oder ziehen Sie den Stecker aus der Steckdose (ziehen Sie direkt am Stecker, nicht am Kabel).

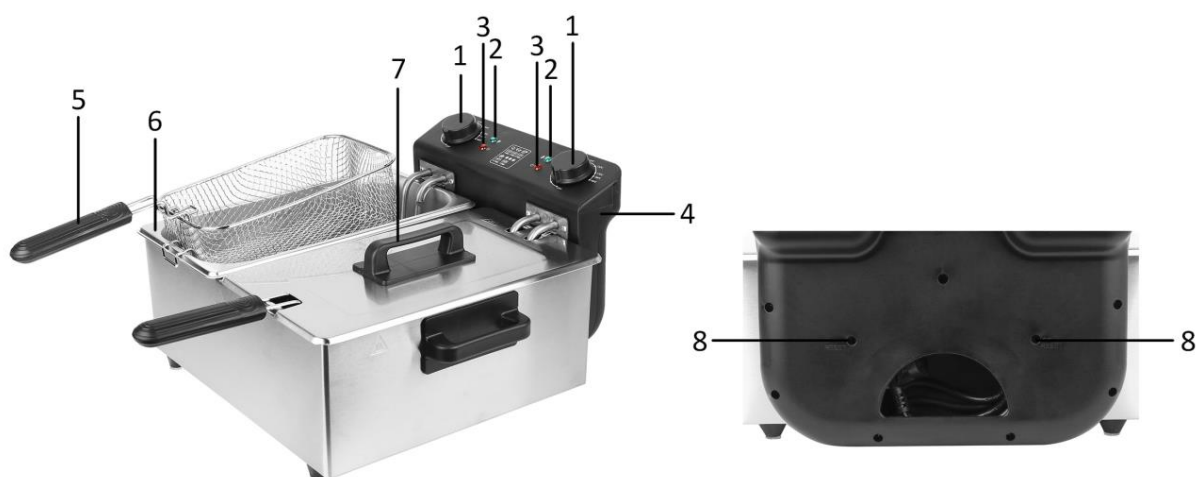
26. Bewegen Sie das Gerät nicht, wenn das Fett flüssig/heiß ist.
27. Verwenden Sie zum Frittieren bitte immer den Frittierkorb.
28. Vergewissern Sie sich vor Gebrauch stets, dass der Frittierbehälter vollständig trocken ist. Bei Nichtbeachtung besteht die Gefahr, dass, durch die unterschiedlichen Siedetemperaturen von Öl und Wasser, heißes Öl aus dem Frittierbehälter tritt. Hierdurch können schwere Verbrennungen und Verletzungen verursacht werden.
29. Warnung: Mischen Sie niemals Fette und Öle, da die Fritteuse überlaufen könnte. Vermischen Sie außerdem niemals verschiedene Öl- und Fettarten miteinander.
30. Falls das Frittierfett zu brennen beginnt, versuchen Sie unter keinen Umständen, die Flammen mit Wasser zu löschen. Setzen Sie stattdessen den Deckel auf und ersticken Sie die Flammen mit einem feuchten Tuch.



31. **Vorsicht – heiße Oberfläche.**

WARNUNG! Bitte berühren Sie während des Gebrauchs nicht die Oberfläche. Die Temperatur der zugänglichen Oberflächen kann sehr hoch sein, wenn das Gerät in Betrieb ist.

BESCHREIBUNG DER TEILE



1. Temperaturregler
2. Grüne Temperaturanzeige
3. Rote Betriebsanzeige
4. Abnehmbare Bedieneinheit mit Heizelement
5. Griff des Frittierkorbs
6. Herausnehmbarer Innenbehälter
7. Griff des Deckels
8. Reset-Taste

VOR DEM GEBRAUCH

Lesen Sie bitte vor dem ersten Gebrauch des Geräts alle Anweisungen und heben Sie diese als Referenzmaterial auf. Schließen Sie dieses Gerät ausschließlich an Schutzkontaktsteckdosen an. Entfernen Sie vor dem ersten Gebrauch das Verpackungsmaterial. Spülen Sie anschließend die Zubehörteile und den inneren Fritierbehälter in warmem Wasser. Vor dem Gebrauch bitte gründlich trocknen. Stellen Sie sicher, dass die elektrischen Teile nicht mit Nässe in Berührung kommen. Die Fritteuse verfügt über zwei herausnehmbare Behälter; Sie können verschiedene Arten von Lebensmitteln gleichzeitig frittieren. Jedes Heizelement ist mit einem einstellbaren Thermostaten und Anzeigeleuchten verbunden. Das "offene" Frittiersystem gewährleistet hervorragende, professionelle Ergebnisse und unkomplizierte Reinigung.

Nach dem ersten Einschalten kann das Gerät etwas Rauch und einen charakteristischen Geruch absondern. Das ist normal und vergeht nach relativ kurzer Zeit wieder.

BETRIEB DER FRITTEUSE

Zur Fixierung des Griffs am Korb die Enden zusammendrücken und in die zwei Bohrungen im Korb einführen. Drücken Sie den Griff auf das rechteckige Metallteil des Korbes. Stellen Sie sicher, dass der Griff fest sitzt.



1. Schalten Sie die Fritteuse niemals ohne Öl bzw. Fett ein, da dies zu Beschädigungen führen kann. Füllen Sie bitte auch keine anderen Flüssigkeiten, wie beispielsweise Wasser bzw. sonstige Substanzen in die Pfanne ein.
2. Stellen Sie die Fritteuse auf eine trockene, stabile Oberfläche.
3. Da sich die Fritteuse beim Gebrauch erhitzt, stellen Sie bitte sicher, dass das Gerät nicht zu nah an anderen Gegenständen steht.
4. Entfernen Sie den Deckel der Fritteuse und entnehmen Sie die Zubehörteile. Während des Aufheizens und Frittierens den Deckel nicht auf das Gerät setzen, um Kondensbildung zu vermeiden.
5. Füllen Sie die Fritteuse mit der gewünschten Menge Öl bzw. flüssiges Fett. Für diese Art der Fritteuse darf ausschließlich flüssiges Fett verwendet werden. Stellen Sie sicher, dass das Gerät gemäß den Angaben auf der Geräteinnenseite nicht unter dem Mindeststand bzw. über dem Höchststand befüllt wird. Mischen Sie niemals Fette und Öle, da die Fritteuse überquellen könnte. Auch das Mischen verschiedener Öl- und Fettsorten miteinander ist gefährlich.
6. Netzstecker mit einer geeigneten Steckdose verbinden; die rote Diode leuchtet auf.
7. Stellen Sie den Thermostat entsprechend dem zu frittierenden Lebensmittel auf die gewünschte Temperatur ein. Entsprechende Informationen entnehmen Sie bitte der Temperaturtabelle.
8. Die Temperaturkontrollleuchte leuchtet auf. Das Öl bzw. Fett wird innerhalb von 20 Minuten auf die gewünschte Temperatur erhitzt.
9. Setzen Sie den Korb mittels des Griffs in die Fritteuse ein.
10. Geben Sie die zu frittierenden Lebensmittel in den Korb. Geben Sie trockene Lebensmittel in den Korb, um beste Ergebnisse zu erzielen. Nie bereits aufgetaute und anschließend wieder eingefrorene Tiefkühlprodukte verwenden. Diese enthalten viel Wasser, das übermäßiges Spritzen verursacht.
11. Senken Sie den Korb langsam in das Öl ab, um übermäßiges Sprudeln zu vermeiden.
12. Beim Erreichen der von Ihnen vorgewählten Temperatur erlischt die Anzeigeleuchte. Warten Sie diesen Zeitpunkt bitte immer ab. Um das Öl auf der gewählten Temperatur zu halten, schaltet der Thermostat mehrfach ein und aus. Diese Vorgänge werden von der Kontrollleuchte entsprechend angezeigt.
13. Heben Sie den Korb nach Ablauf der Frittiervorgang wieder an.
14. Lassen Sie die Lebensmittel nach dem Frittiervorgang durch Abtropfen trocknen. **Schütteln Sie niemals den Korb!**
15. Drehen Sie den Thermostat auf die niedrigste Einstellung (Bis zum Anschlag gegen dem Uhrzeigersinn drehen).
16. Ziehen Sie den Netzstecker aus der Steckdose.
17. Spülen Sie den Griff und den Korb nach Gebrauch und trocknen Sie die Teile sorgfältig.
18. Nachdem die Fritteuse vollständig abgekühlt ist, können Sie den Korb wieder in das Gerät einsetzen und es verstauen. Bewahren Sie die Fritteuse mit geschlossenem Deckel an einem dunklen, trockenen Ort auf. So können Sie Öl und Korb in der Fritteuse lassen, wenn diese verstaut wird.

FRITTIER-TIPPS

1. Bei Verwendung von zwei kleinen Körben beträgt die maximale Lebensmittelmenge 700 Gramm pro Korb.
2. Wenn Sie tiefgefrorene Lebensmittel frittieren wollen, verwenden Sie maximal 75 % der oben genannten Mengen.
3. Entfernen Sie vor dem Frittieren immer überschüssiges Eis von gefrorenen Produkten.
4. Bei der Verwendung von Pommes Frites aus frischen Kartoffeln: Trocknen Sie die Pommes Frites nach dem Waschen, damit kein Wasser in das Öl gelangt.

FRITTIER-TABELLE

In dieser Tabelle sind die Lebensmittelmengen, die erforderlichen Temperaturen und Frittierzeiten angegeben. Falls die Anweisungen auf der jeweiligen Produktverpackung von den Tabellenwerten abweichen sollten, sind die Anweisungen auf der Verpackung zu befolgen.

Temp.	Lebensmittelprodukt	Höchstmenge pro Zyklus		Frittierzeit (Minuten)	
		Frisch	Tiefgekühlt	Frisch bzw. Tiefgekühlt	Tiefgekühlt
160°C	Hausgemachte Chips (erster Frittierzyklus)	600g	--	9-10	--
	Frischer Fisch	500g	--	10-12	--
170°C	Hähnchenflügel	10-12	12-13	10-12	12-13
	Käsekroketten	10	9	9-10	10-12
	Kleine Reibekuchen	--	9	--	9-10
	Frittiertes Gemüse (Pilze, Blumenkohl)	10-12	--	2-3	--
	Hausgemachte Chips (zweiter Frittierzyklus) max.175°C	600g	--	9-10	--
	Tiefgekühlte Chips max.175°C	--	550g	--	5-6
180°C	Frühlingsrollen	7	8	7-8	9-10
	Hähnchen-Nuggets	10	12	3-4	4-5
	Mini-Snacks	10-12	10	3-4	4-5
	Fleischbällchen (klein)	8-10	--	3-4	4-5
	Fischstäbchen	8-10	8	3-4	4-5
	Muscheln	15-20	15	3-4	4-5
	Tintenfischringe in Teig	10-12	10	3-4	4-5
	Fisch in Backteig	10-12	10	3-4	4-5
	Shrimps	10-12	10	3-4	4-5
Apfelringe	5	--	3-4	--	
190°C	Kartoffelchips	600g	550g	3-4	5-6
	Auberginenscheiben	600g	--	3-4	--
	Kartoffelkroketten	5	4	4-5	6-7
	Fleisch/Fisch-Kroketten	5	4	4-5	6-7
	Krapfen	4-5	--	5-6	--
	Gebackener Camembert (paniert)	2-4	--	2-3	--
	Cordon bleu	2	--	4-5	--
	Wiener Schnitzel	2	--	3-4	--

AUSWECHSELN DES ÖLS

Stellen Sie vor dem Auswechseln des Öls sicher, dass die Fritteuse und das Öl vollständig abgekühlt sind. Wechseln Sie das Öl regelmäßig aus. Das Öl muss unbedingt ausgewechselt werden, wenn es dunkel wird bzw. einen anderen Geruch annimmt. Wechseln Sie das Öl jedoch in jedem Fall nach zehnmalem Gebrauch. Wechseln Sie grundsätzlich die gesamte Ölmenge aus, mischen Sie keinesfalls altes und neues Öl. Zu entsorgendes Öl stellt eine Umweltbelastung dar. Entsorgen Sie es daher bitte nicht einfach über den regulären Restmüll, sondern befolgen Sie die Richtlinien Ihres örtlichen Abfallentsorgungsunternehmens.

REINIGUNG UND WARTUNG

1. Reinigen Sie die Fritteuse regelmäßig innen und außen.
2. Reinigen Sie die Außenseite der Fritteuse mit einem feuchten Tuch und trocknen sie anschließend mit einem weichen, sauberen Tuch.

3. Benutzen Sie niemals Scheuermittel bzw. Schwämme.
4. Korb und Griff können in warmer Seifenlauge gereinigt werden. Vor der Wiederverwendung bitte gründlich trocknen.
5. Beim Auswechseln des Öls können Sie die Fritteuse auch von innen reinigen. Leeren Sie die Fritteuse aus und reinigen Sie die Innenseite zunächst mit einem Papiertuch und dann mit einem in Seifenlauge getunkten Tuch. Wischen Sie mit einem feuchten Tuch nach und sorgen Sie für eine gründliche Trocknung.
6. Alle Bauteile -mit Ausnahme der elektrischen Teile- können in warmer Seifenlauge gereinigt werden. Vor dem erneuten Gebrauch müssen diese Teile gründlich getrocknet werden.
7. Eine Reinigung in der Geschirrspülmaschine wird nicht empfohlen.

TIPPS

1. Stellen Sie die Fritteuse immer auf eine stabile Oberfläche und halten Sie diese von brennbaren Materialien fern.
2. Stellen Sie sicher, dass sich die Fritteuse nicht in der Nähe bzw. auf einer eingeschalteten Herdplatte befindet.
3. Vor dem Gebrauch muss die Fritteuse mit der erforderlichen Menge Öl bzw. Fett gefüllt werden.
4. Nehmen Sie die Fritteuse niemals ohne Öl bzw. Fett in Betrieb, da das Gerät dadurch beschädigt werden kann.
5. Bewegen Sie die Fritteuse niemals während des Betriebs. Da das Öl sehr heiß wird, besteht die Gefahr von Verbrennungen. Bewegen Sie die Fritteuse erst wieder, wenn das Öl abgekühlt ist.
6. Diese Fritteuse ist mit einer thermischen Sicherheitsabschaltung ausgerüstet, die das Gerät bei Überhitzung automatisch abschaltet.
7. Tauchen Sie das Gerät niemals in Wasser ein.
8. Lassen Sie die Fritteuse während des Gebrauchs niemals unbeaufsichtigt. Sorgen Sie stets für die Sicherheit von Kindern, die sich in der Nähe des Geräts aufhalten.
9. Falls die Fritteuse bzw. die Netzzuleitung beschädigt ist, muss die entsprechende Reparatur von einem autorisierten Kundendienst ausgeführt werden.
10. Versuchen Sie niemals, das Gerät selber zu reparieren bzw. eine beschädigte Netzzuleitung auszuwechseln, da hierfür Spezialwerkzeuge erforderlich sind.
11. Stellen Sie sicher, dass das Heizelement nicht beschädigt wird (Nicht knicken bzw. eindellen).
12. Das elektrische Bauteil ist mit einer Sicherheitsabschaltung versehen, die gewährleistet, dass das Heizelement nur dann funktioniert, wenn es korrekt positioniert ist.

SICHERHEIT

Thermische Sicherheitsabschaltung

Bei Überhitzung schaltet der Thermoschalter die Fritteuse ab. Zu einer Überhitzung kann es kommen, wenn die Fritteuse nicht mit ausreichend Öl gefüllt ist bzw. Fettblöcke in der Fritteuse geschmolzen werden. Fettblöcke können verhindern, dass das Heizelement seine Wärme schnell genug abgeben kann. Nach einer Abschaltung auf Grund von Überhitzung gehen Sie bitte folgendermaßen vor:

- Lassen Sie das Öl bzw. Fett abkühlen.
- Drücken Sie mit einem kleinen Schraubendreher vorsichtig den Reset-Knopf auf der Rückseite der Bedieneinheit.

Die Fritteuse kann nun wieder eingesetzt werden.

Sicherheitsschalter

Der Sicherheitsschalter in der Bedieneinheit gewährleistet, dass das Heizelement nur dann eingeschaltet werden kann, wenn die Bedieneinheit einrastet.

TECHNISCHE DATEN

Betriebsspannung: 220-240V ~ 50Hz

Leistung: 3300W

PROBLEMBEHANDLUNG

Das Gerät funktioniert nicht

Problembehandlung:

- Überprüfen Sie die Netzverbindung.
- Überprüfen Sie die Position des Thermostats.

Problembehandlung:

Überprüfen Sie, ob das Kontrollelement richtig positioniert ist.



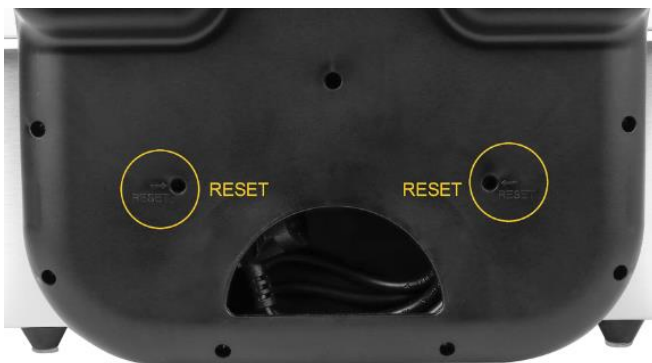
Andere mögliche Ursachen:

Das Gerät ist mit einem **RESET-knopf** ausgestattet.

Dieser verhindert, dass das Gerät aus Versehen eingeschaltet wird.

Überhitzungsschutz

- Falls Sie die Fritteuse aus Versehen einschalten, obwohl sich kein Fett oder Öl darin befindet, wird der Überhitzungsschutz automatisch aktiviert. Das Gerät ist dann nicht mehr betriebsbereit. Ziehen Sie den Stecker aus der Steckdose.
- Sie müssen die Fritteuse erst vollständig abkühlen lassen, bevor Sie diese wieder erneut über den RESET-Knopf auf der Rückseite einschalten. Benutzen Sie dafür einen spitzen Gegenstand.



GEWÄHRLEISTUNG UND KUNDENSERVICE

Vor der Lieferung werden unsere Geräte einer strengen Qualitätskontrolle unterzogen. Wenn, trotz aller Sorgfalt, während der Produktion oder dem Transport Beschädigungen aufgetreten sind, senden Sie das Gerät zurück an den Händler.

Wir bieten eine 2-Jahres-Gewährleistung für das erworbene Gerät, beginnend am Tag des Verkaufs. Wenn Sie ein defektes Produkt haben, nehmen Sie bitte direkt Kontakt mit dem Verkäufer auf.

Defekte, die aufgrund von unangemessenem Umgang mit dem Gerät entstehen und Störungen aufgrund von Eingriffen und Reparaturen Dritter oder das Montieren von nicht-Originalteilen werden nicht von dieser Gewährleistung abgedeckt. Die Quittung immer aufbewahren, ohne Quittung wird jegliche Gewährleistung ausgeschlossen. Bei Schäden durch Nichteinhalten der Bedienungsanleitung erlischt die Gewährleistung, Wir sind für daraus resultierende Folgeschäden nicht haftbar. Für Materialschäden oder Verletzungen aufgrund falscher Anwendung oder Nichtbefolgen der Sicherheitshinweise sind wir nicht haftbar. Schäden an den Zubehörteilen bedeutet nicht, dass das gesamte Gerät kostenlos ausgetauscht wird. In diesem Fall kontaktieren Sie unseren Kundendienst. Zerbrochenes Glas oder Kunststoffteile sind immer kostenpflichtig. Schäden an Verbrauchsmaterialien oder Verschleißteilen, sowie Reinigung, Wartung oder Austausch der besagten Teile werden durch die Gewährleistung nicht abgedeckt und sind deshalb kostenpflichtig.



Das nebenstehende Symbol einer durchgestrichenen Mülltonne auf Rädern zeigt an, dass dieses Gerät der Richtlinie 2012/19/EU unterliegt. Diese Richtlinie besagt, dass Sie dieses Gerät am Ende seiner Nutzungszeit nicht mit dem normalen Haushaltsmüll entsorgen dürfen, sondern in speziell eingerichteten Sammelstellen, Wertstoffhöfen oder Entsorgungsbetrieben abgeben müssen. Diese Entsorgung ist für Sie kostenfrei. Schonen Sie die Umwelt und entsorgen Sie fachgerecht.

Beim Kauf eines Neugerätes haben Sie das Recht, das entsprechende Altgerät an Ihren Händler zurückzugeben. Händler von Elektro- und Elektronikgeräten mit einer Verkaufsfläche von mindestens 400 qm sowie Lebensmittelhändler mit einer Verkaufsfläche von mindestens 800 qm, die regelmäßig Elektro- und Elektronikgeräte verkaufen, sind außerdem verpflichtet, Altgeräte unentgeltlich zurückzunehmen, auch ohne dass ein Neugerät gekauft wird, wenn die Altgeräte in keiner Abmessung größer sind als 25 cm. Client Name bietet Ihnen Rücknahmemöglichkeiten direkt in den Filialen und Märkten an. Informieren Sie sich auch bei Ihrem Händler über die Rücknahmemöglichkeiten vor Ort.

Sofern Ihr Altgerät personenbezogene Daten enthält, sind Sie selbst für deren Löschung verantwortlich, bevor Sie es zurückgeben. Sofern dies ohne Zerstörung des Altgerätes möglich ist, entnehmen Sie die alten Batterien oder Akkus sowie Lampen bevor Sie das Altgerät zur Entsorgung zurückgeben und führen Sie sie einer separaten Sammlung zu. Bei fest eingebauten Akkus ist bei der Entsorgung darauf hinzuweisen, dass das Gerät einen Akku enthält. Weitere Möglichkeiten zur Entsorgung des ausgedienten Produkts erfahren Sie bei Ihrer Gemeinde- oder Stadtverwaltung.

Emerio B.V.
Oudeweg 115
2031 CC Haarlem
The Netherlands

Customer service:
T: +31 (0) 23 3034369
www.emerio.eu/service

Kundeninformation:
T: +49 (0) 3222 1097 600
www.emerio.eu/service

Klantenservice:
T: +31 (0) 23 3034369
www.emerio.eu/service

Looking for spare parts? Have a look at <https://spareparts.emerio.eu>

Sie brauchen Ersatzteile? Besuchen Sie <https://ersatzteile.emerio.eu>

Onderdelen nodig? Kijk op <https://onderdelen.emerio.eu>



KUNDENDIENST



ERSATZTEILE

Mode d'emploi – French

CONSIGNES DE SÉCURITÉ

Avant d'utiliser l'appareil, lisez toutes les consignes suivantes pour éviter des blessures et des dommages, et pour optimiser les performances de votre appareil. Conservez cette notice d'utilisation dans un endroit sûr. Si vous donnez ou transférez cet appareil à un tiers, veillez à lui remettre également cette notice d'utilisation.

En cas de détérioration due au non-respect par l'utilisateur des instructions de cette notice d'utilisation, la garantie est annulée. Le fabricant/importateur rejette toute responsabilité en cas de dommages dus au non-respect des instructions de la notice d'utilisation, à un usage négligent ou à l'usage non conforme aux exigences de cette notice d'utilisation.

1. Cet appareil ne doit pas être utilisé par les enfants de 0 à 8 ans. Cet appareil peut être utilisé par les enfants de plus de 8 ans s'ils sont surveillés de manière continue. Cet appareil peut être utilisé par des personnes ayant leurs capacités physiques, sensorielles ou mentales réduites ou une manque de connaissance s'ils ont bénéficié d'une surveillance ou d'instruction concernant l'utilisation de l'appareil de manière sûre et comprennent les risques encourus.
2. Gardez l'appareil et sa corde hors de la portée des enfants de moins de 8 ans.
3. Les enfants ne doivent pas jouer avec l'appareil.
4. Le nettoyage et la maintenance usuelle ne doivent pas être apportés par des enfants.
5. Les appareils de cuisson devront être positionnés sur une surface stable avec les poignées (s'il y a) positionnés de manière à éviter le débordement de liquides chauds.
6. Si le câble d'alimentation est endommagé, il doit être remplacé par le fabricant, son service après vente ou des personnes de qualification similaire afin d'éviter un danger.
7. Cet appareil est destiné à une utilisation domestique et analogue telles que: Les zones de cuisine du personnel de magasins, bureaux et autres environnements de travail; Les fermes; Les clients dans les hôtels, motels et autres environnements de type résidentiel; Environnements de type chambres d'hôtes.
8. Pour obtenir des instructions sur comment nettoyer les surfaces qui sont en contact avec des aliments ou de l'huile, reportez-vous au paragraphe « nettoyage et entretien » du mode d'emploi.
9. Cet appareil n'est pas destiné à être mis en fonctionnement au moyen d'une minuterie extérieure ou par un système de commande à distance séparé.
10. Si vous utilisez une rallonge électrique, elle doit être appropriée à la puissance consommée par l'appareil, sinon la rallonge et/ou la fiche risquent de chauffer excessivement. Il existe un risque potentiel de blessures par trébuchement sur le cordon électrique. Prenez vos précautions pour éviter toute situation dangereuse.
11. Avant d'insérer la fiche de l'appareil dans une prise secteur, vérifiez que la tension et la fréquence du secteur correspondent aux spécifications indiquées sur la plaque signalétique.
12. Débranchez la fiche électrique de la prise électrique quand l'appareil n'est pas utilisé et avant de le nettoyer.
13. Veillez à ce que le cordon d'alimentation ne pende pas sur des arêtes coupantes et maintenez-le éloigné des objets chauds et des flammes nues.
14. N'immergez jamais l'appareil ou sa fiche dans de l'eau ni dans aucun autre liquide. Cela peut provoquer un choc électrique !
15. Pour débrancher la fiche de la prise, saisissez la fiche et tirez-la hors de la prise. Ne tirez pas sur le cordon d'alimentation.
16. Ne touchez pas l'appareil s'il tombe dans de l'eau. Débranchez la fiche de la prise électrique, éteignez l'appareil et rappez-le au centre de réparation agréé pour le faire réparer.
17. Ne branchez pas et ne débranchez pas l'appareil de la prise électrique avec les mains mouillées.
18. N'essayez pas d'ouvrir le boîtier de l'appareil ni de réparer l'appareil vous-même. Cela peut provoquer un choc électrique.
19. Ne laissez jamais l'appareil sans surveillance quand il est en fonctionnement.
20. Cet appareil n'est pas conçu pour un usage commercial.
21. N'utilisez pas cet appareil à un usage autre que celui pour lequel il a été conçu.
22. N'enroulez pas le cordon d'alimentation autour de l'appareil et ne le pliez pas.
23. Placez l'appareil sur une surface horizontale et stable, de laquelle il ne peut pas tomber.
24. Nettoyez le produit avec un chiffon légèrement humidifié.
25. N'utilisez pas l'appareil sans le surveiller. Si vous devez quitter la zone d'utilisation, éteignez toujours l'appareil et débranchez toujours sa fiche de la prise électrique (saisissez et tirez la fiche, et non le cordon d'alimentation).

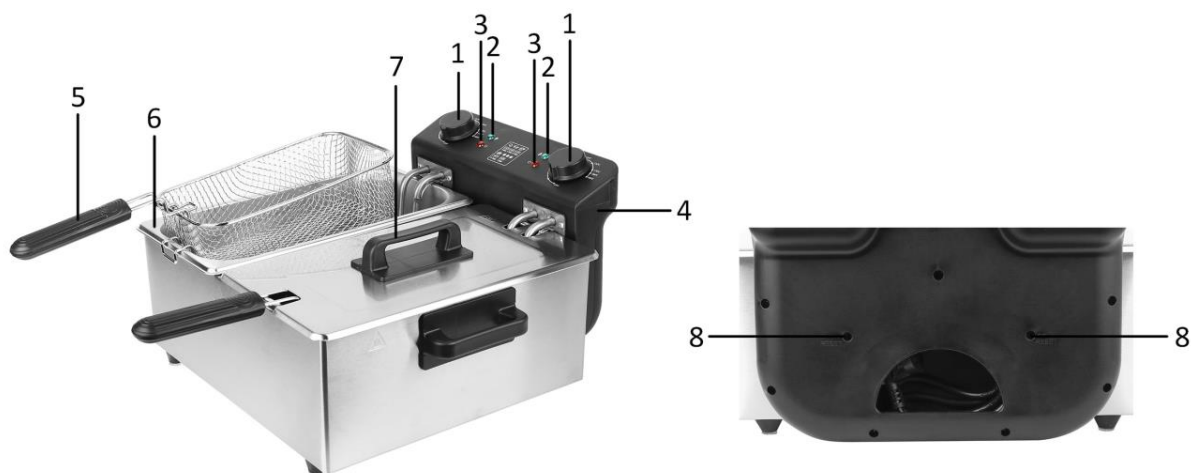
26. Ne déplacez pas l'appareil quand la graisse est liquide/chaude.
27. Utilisez toujours le panier à friture pour frire.
28. Vérifiez toujours que la cuve à huile est sèche et exempte d'eau avant utilisation. Sinon l'huile brûlante peut être projetée hors de la cuve et blesser et brûler les personnes, car l'huile et l'eau ont des températures d'ébullition différentes.
29. Avertissement : Ne mélangez jamais de la graisse solide et de l'huile, car la friteuse risque de déborder. Ne mélangez pas non plus différents types d'huiles ou de graisses.
30. Si la friteuse s'enflamme, n'essayez jamais d'éteindre les flammes avec de l'eau, au contraire, refermez le couvercle et étouffez les flammes avec un chiffon mouillé.



31. Attention, surface chaude.

AVERTISSEMENT !! Ne touchez pas les surfaces de l'appareil pendant l'utilisation. La température des surfaces accessibles peut être élevée quand l'appareil est en fonctionnement.

DESCRIPTION DES PIÈCES



1. Bouton du thermostat
2. Indicateur de contrôle de température (vert)
3. Indicateur d'alimentation (rouge)
4. Unité de commande détachable avec élément chauffant
5. Poignée du panier
6. Cuve intérieure détachable
7. Poignée du couvercle
8. Bouton de réinitialisation

AVANT TOUTE UTILISATION

Prenez soin de lire toutes les informations fournies dans le présent document et conservez ces dernières afin de pouvoir les utiliser ultérieurement. Connectez cet appareil exclusivement à une prise de courant mise à la terre. Avant d'utiliser votre bassine à friture, enlevez tous les matériaux d'emballage. Ensuite, lavez les accessoires et le réceptacle intérieur en utilisant de l'eau chaude. Séchez-les soigneusement avant l'utilisation. Assurez-vous que les pièces électriques restent bien sèches. La friteuse est équipée de deux réservoirs amovibles; vous pouvez frire différentes sortes d'aliments en même temps. Chaque élément chauffant est branché avec un thermostat réglable et des voyants lumineux. Le système de friture "ouvert" vous garantit des résultats de friture excellents et professionnels et un nettoyage facile.

Lorsque l'appareil chauffe pour la première fois, ce dernier pourrait émettre une légère fumée et une légère odeur. Ceci est normal et ne durera pas.

COMMENT UTILISER LA BASSINE A FRITURE

Pour attacher la poignée au panier, appuyez sur les deux extrémités et insérez-les dans les deux trous du panier. Pressez la poignée sur la partie métallique rectangulaire du panier. Vérifiez qu'elle est solidement assemblée.



1. Ne mettez jamais en marche la bassine à friture si elle ne contient ni huile, ni graisse, ceci pourrait endommager l'appareil. De même, ne versez jamais d'autres liquides dans la cuve, tels que l'eau ou d'autres substances.
2. Placez votre bassine à friture sur une surface sèche et stable.
3. Etant donné que la bassine à friture chauffe pendant son fonctionnement, assurez-vous qu'elle n'est pas placée trop proche d'autres objets.
4. Démontez le couvercle de la bassine à friture et retirez-en les accessoires. Ne mettez pas le couvercle sur la friteuse pendant que l'huile chauffe et pendant la cuisson afin d'éviter la condensation.
5. Versez ensuite la quantité d'huile ou de graisse liquide désirée dans la bassine à friture. Seule la graisse sous forme liquide peut être utilisée avec ce type de friteuse. Faites bien attention à ce que le remplissage ne soit pas inférieur au niveau minimal indiqué ou qu'il dépasse la marque maximale indiquée à l'intérieur de l'appareil. Ne mélangez jamais les graisses et les huiles. La friteuse pourrait mousser et déborder. Il est également dangereux de mélanger différentes sortes d'huiles et de graisses!
6. Branchez le cordon électrique à la prise de courant; le voyant rouge s'allume.
7. Réglez ensuite le thermostat à la température souhaitée, qui convient aux aliments que vous voulez frire. Référez-vous au tableau des températures.
8. Le témoin lumineux de contrôle de la température s'allume. La matière grasse est ensuite chauffée à la température souhaitée en 20 minutes.
9. Utilisez la poignée pour placer le panier dans la bassine à friture.
10. Placez ensuite les aliments à frire dans la bassine à friture. Pour obtenir des résultats de friture excellents, placez des aliments secs dans le panier. Ne jamais utiliser des produits congelés qui ont déjà été décongelés puis recongelés car ceux-ci contiennent une grande quantité d'eau qui pourrait gicler.
11. Baissez ensuite lentement le panier dans l'huile afin d'éviter un barbotage excessif.
12. Le témoin lumineux s'éteint une fois que l'huile a atteint la température que vous avez réglée. Attendez toujours que soit atteinte la température réglée. Pour maintenir l'huile à la température réglée, le thermostat s'activera et s'arrêtera continuellement et son témoin lumineux s'allume également.
13. Relevez à nouveau le panier une fois que le temps de friture a expiré.
14. Après la friture, laissez sécher le produit, **n'agitez jamais le panier.**
15. Réglez le thermostat au niveau de température le plus bas (tourner ce dernier totalement dans le sens contraire à celui des aiguilles de la montre).
16. Retirez la fiche de raccordement de la prise de courant.
17. Rincez la poignée et le panier après l'utilisation et séchez-les soigneusement.
18. Une fois que la bassine à friture a totalement refroidi, vous pouvez remettre le panier dans l'appareil et le ranger. Rangez la bassine à friture avec le couvercle fermé à un endroit sombre et sec. De cette manière, vous pourrez laisser l'huile et le panier dans l'appareil en rangeant ce dernier.

CONSEILS DE FRITURE

1. Lorsque vous utilisez deux petits paniers, le maximum d'aliments est de 700 grammes pour chaque panier.
2. Si vous voulez faire frire des aliments surgelés, utilisez au maximum 75% des quantités ci-dessus.
3. Retirez toujours l'excès de glace des produits congelés avant de les faire frire.
4. Si vous faites des frites à partir de pommes de terre fraîches: sécher les frites après les avoir lavées pour l'eau ne se mélange pas à l'huile.

TABLEAU DE FRITURE

Le tableau de friture ci-après indique les quantités d'aliments ainsi que la température et le temps de friture respectifs requis. Respectez les instructions fournies sur l'emballage de vos aliments si elles diffèrent de celles fournies dans le tableau.

Température	Type d'aliment	Quantité maximale par cycle		Durée de friture (en minutes)	
		Frais	Surgelé	Frais ou décongelé	Surgelé
160 °C	Chips fait maison (1 ^{er} cycle de friture)	600g	--	9-10	--
	Poisson frais	500g	--	10-12	--
170°C	Ailes de poulet	10-12	12-13	10-12	12-13
	Croquettes de fromage	10	9	9-10	10-12
	Petits beignets de pommes de terre	--	9	--	9-10
	Légumes frits (Champignons, chou-fleur)	10-12	--	2-3	--
	Chips fait maison (deuxième cycle de friture) max. 175°C	600g	--	9-10	--
	Chips surgelés max. 175°C	--	550g	--	5-6
180°C	Nems	7	8	7-8	9-10
	Nuggets de poulet	10	12	3-4	4-5
	Mini snacks	10-12	10	3-4	4-5
	Boulettes de viande (petites)	8-10	--	3-4	4-5
	Bâtonnets de poisson	8-10	8	3-4	4-5
	Moules	15-20	15	3-4	4-5
	Calamar	10-12	10	3-4	4-5
	Poisson en pâte à frire	10-12	10	3-4	4-5
	Crevettes	10-12	10	3-4	4-5
	Rondelles de pommes	5	--	3-4	--
190°C	Chips de pommes de terre	600g	550g	3-4	5-6
	Tranches d'aubergine	600g	--	3-4	--
	Croquettes de pommes de terre	5	4	4-5	6-7
	Croquettes de viande/poisson	5	4	4-5	6-7
	Beignets	4-5	--	5-6	--
	Camembert au four(pané)	2-4	--	2-3	--
	Cordon bleu	2	--	4-5	--
	Escalope viennoise	2	--	3-4	--

POUR REMPLACER L'HUILE

Assurez-vous que la bassine à friture et l'huile ont totalement refroidi avant de remplacer l'huile. Remplacez l'huile régulièrement. Le remplacement est nécessaire lorsque l'huile devient sombre ou si elle dégage une odeur différente. Dans tous les cas, remplacez l'huile au bout de 10 cycles de friture. Remplacez toujours totalement toute l'huile de la bassine à friture et ne mélangez pas une huile ancienne avec une huile neuve. Les déchets d'huile représentent un risque pour l'environnement. Ne les éliminez donc pas dans le bac à ordures normal et conformez-vous aux directives de votre service municipal de collecte des déchets.

NETTOYAGE ET ENTRETIEN

1. Nettoyez régulièrement les faces intérieure et extérieure de la bassine à friture.
2. Pour nettoyer la face extérieure de la bassine à friture, utilisez un torchon humide et séchez cette dernière à l'aide d'un torchon doux et propre.
3. N'utilisez jamais des agents de nettoyage abrasifs ou des éponges.
4. Pour le nettoyage du panier et de la poignée, vous pouvez utiliser une lessive de savon. Séchez soigneusement avant d'utiliser à nouveau.
5. Vous pouvez également nettoyer l'intérieur de la bassine à friture en remplaçant l'huile. Vider la bassine à friture et commencez par nettoyer l'intérieur à l'aide d'une serviette de papier, puis à l'aide d'un torchon imbibé d'une lessive de savon. Puis, essuyez à l'aide d'un torchon humide et laissez sécher totalement.
6. A l'exception des pièces électriques, tous les composants, peuvent être nettoyés dans une eau chaude savonneuse. Séchez soigneusement l'appareil avant de l'utiliser.
7. Lavage en lave-vaisselle déconseillé.

ASTUCES ET CONSEILS

1. Placez toujours la bassine à friture sur une surface stable et tenez éloignés toutes les matières inflammables.
2. Assurez-vous que la bassine à friture n'est pas placée sur une plaque de cuisson chaude ou sans son voisinage immédiat.
3. Avant d'utiliser la bassine à friture, vous devez la remplir de la quantité d'huile ou de graisse requise.
4. N'utilisez jamais la bassine à friture sans huile ou graisse, ceci pourrait endommager l'appareil.
5. Ne déplacez jamais la bassine à friture pendant son utilisation. L'huile chauffe extrêmement et vous pourriez vous brûler. Si voulez le déplacer, attendez que l'huile ait refroidi.
6. Cette bassine à friture est protégée par un dispositif thermique de sécurité, qui arrête l'appareil automatiquement en cas de surchauffe.
7. N'immergez jamais l'appareil dans l'eau.
8. Ne laissez jamais la bassine à friture sans surveillance pendant qu'elle est marche. Protégez toujours la sécurité des enfants qui sont près de la bassine de friture.
9. Si vous constatez des dommages sur la bassine de friture et/ou sur son cordon d'alimentation, faites procéder à une réparation par un service de dépannage professionnel.
10. N'essayez pas de réparer l'appareil de votre propre chef, ni de remplacer un cordon d'alimentation endommagé. Ces travaux exigent des outils spéciaux.
11. Faites attention à ne pas endommager le corps de chauffe (éviter de l'infléchir ou de le déformer).
12. Cet appareil électrique est doté d'un coupe-circuit thermique de sécurité, qui garantit que le corps de chauffe ne puisse fonctionner que s'il est correctement monté sur la bassine à friture.

SECURITE

Coupe-circuit thermique de sécurité

Dans le cas d'une surchauffe, le coupe-circuit thermique de sécurité arrête la bassine à friture. Ceci peut arriver si la bassine à friture ne contient pas suffisamment d'huile ou si une graisse solide a été fondue dans la bassine à friture. Si vous utilisez une graisse solide, le corps de chauffe ne sera pas capable de rayonner assez rapidement la chaleur produite. Procédez de la manière suivante si le coupe-circuit thermique de sécurité arrête la bassine à friture:

- Laisser refroidir l'huile ou la graisse.
- Enfoncer avec précautions le bouton de réinitialisation disposé à l'arrière de l'unité de commande en utilisant un petit tournevis.

La bassine à friture est maintenant à nouveau prête au fonctionnement.

Interrupteur de sécurité

L'interrupteur de sécurité de l'unité de commande permet de garantir que le corps de chauffe ne puisse être mis en marche qu'une fois que l'unité de commande s'est verrouillée en position.

DONNEES TECHNIQUES

Tension de fonctionnement: 220-240V ~ 50Hz

Puissance: 3300W

GUIDE DE DEPANNAGE

L'appareil ne fonctionne pas

Guide de dépannage

- Vérifiez les branchements principaux.
- Vérifiez la position du thermostat.

Guide de dépannage

Vérifiez que l'élément de contrôle soit correctement en place.



Les autres causes possibles :

Cet appareil est équipé d'un bouton RESET.

Cela permet d'éviter que les résistances se mettent en marche accidentellement.

Protection contre les surchauffes

- Si votre friteuse est accidentellement allumée alors qu'il n'y a pas d'huile ou de graisse dedans, la protection anti-surchauffe s'allumera automatiquement. L'appareil ne pourra plus être utilisé. Débranchez la friteuse.
- Vous ne pouvez appuyer sur le bouton RESET à l'arrière de l'élément de contrôle uniquement lorsque l'appareil aura été refroidi afin de mettre en route la friteuse de nouveau. Veuillez utiliser la pointe d'un objet pour ce faire.



GARANTIE ET SERVICE APRÈS-VENTE

Nos appareils sont soumis à un contrôle de qualité strict avant d'être livrés. Si l'appareil a toutefois été endommagé lors de la production ou du transport en dépit des soins que nous lui donnons, retournez l'appareil au vendeur.

Nous offrons une garantie de 2 ans pour l'appareil acheté à partir de la date de vente. En cas de produit défectueux, vous pouvez retourner directement au point de vente.

Les défauts dus à une utilisation non conforme de l'appareil et les dommages dus à une intervention ou réparation faite par une tierce personne ou dus à l'installation de pièces qui ne sont pas d'origine ne sont pas couverts par cette garantie. Conservez toujours votre reçu, car sans celui-ci vous ne pourrez réclamer aucune sorte de garantie. Les dommages causés par le non respect des instructions de ce manuel rendront la garantie caduque, Nous décline toute responsabilité en cas de dommages indirects. Nous décline toute responsabilité en cas de dégâts matériels ou de dommages corporels causés par une utilisation inappropriée ou si les instructions de sécurité n'ont pas été convenablement observées. Si les accessoires sont endommagés, cela ne signifie pas que toute la machine sera remplacée gratuitement. Dans de tels cas, veuillez contacter notre assistance. Des pièces brisées en verre ou en plastique sont toujours sujettes à des frais. Les défauts des consommables ou des pièces susceptibles de s'user, ainsi que le nettoyage, l'entretien ou la réparation desdites pièces ne sont pas couverts par la garantie et doivent donc être payés.



Le symbole de la poubelle barrée signifie que ce produit ne peut pas être éliminé avec les déchets ménagers usuels. Les équipements électroniques et électriques non compris dans le processus de tri sélectif sont potentiellement dangereux pour l'environnement et la santé humaine en raison de la présence de substances dangereuses. Veuillez les éliminer de manière responsable dans des centres approuvés de traitement ou recyclage des déchets.

Emerio B.V.
Oudeweg 115
2031 CC Haarlem
The Netherlands

Customer service:
T: +31 (0) 23 3034369
www.emerio.eu/service

Kundeninformation:
T: +49 (0) 3222 1097 600
www.emerio.eu/service

Klantenservice:
T: +31 (0) 23 3034369
www.emerio.eu/service

Looking for spare parts? Have a look at <https://spareparts.emerio.eu>

Sie brauchen Ersatzteile? Besuchen Sie <https://ersatzteile.emerio.eu>

Onderdelen nodig? Kijk op <https://onderdelen.emerio.eu>



SERVICE CLIENT



PIÈCES DÉTACHÉES

Bruksanvisning – Swedish

SÄKERHETSANVISNINGAR

Före användning och för att erhålla bästa resultat från apparaten, var noga med att läsa igenom alla instruktioner nedan för att undvika skada på person eller egendom. Se till att förvara denna bruksanvisning på en säker plats. Om du ger bort eller överlåter denna apparat till någon, se till att även inkludera denna bruksanvisning.

Vid skador som orsakats av att användaren inte följer instruktionerna i denna bruksanvisning ogiltighetsförklaras garantin. Tillverkaren/importören tar inget ansvar för skador som orsakats av underlåtenhet att följa bruksanvisningen, vid en vårdslös användning eller användning som inte är i enlighet med kraven i denna bruksanvisning.

1. Denna apparat får inte användas av barn från 0 till 8 år. Denna apparat får användas av barn från 8 år och uppåt om de är under konstant tillsyn. Denna apparat kan användas av personer med nedsatt fysisk, sensorisk eller mental förmåga eller av personer som saknar erfarenhet och kunskap under förutsättning att de övervakas eller mottagit instruktioner för säker användning av apparaten och förstår riskerna.
2. Håll apparaten och dess strömkabel utom räckhåll för barn under 8 år.
3. Barn får inte leka med apparaten.
4. Rengöring och underhåll får inte utföras av barn.
5. Matlagningsapparater bör placeras i ett stabilt läge via handtagen (om några) och positioneras på ett sådant sätt att spill av heta vätskor kan undvikas.
6. Om strömkabeln är skadad måste den bytas ut av tillverkaren, dess servicerepresentant eller liknande kvalificerad person för att undvika fara.
7. Denna apparat är avsedd för användning i hushållet och liknande tillämpningar som t.ex.: Personalkök i butiker, kontor och andra arbetsmiljöer; bondgårdar; av kunder i hotell, motell och andra bostadsmiljöer; bed and breakfast-hotell.
8. Se avsnittet "rengöring och underhåll" i bruksanvisningen för instruktioner om hur man rengör ytor som kommit i kontakt med mat eller olja.
9. Denna apparat är inte avsedd för användning med en extern timer eller ett separat fjärrstyrningssystem.
10. Om en förlängningskabel används måste den vara lämplig för apparatens strömförbrukning, annars kan överhettning av förlängningsskabeln och/eller strömkontakten inträffa. Det finns en eventuell risk för personskador om man snubblar över förlängningskabeln. Var noga med att undvika att skapa farliga situationer.
11. Innan du ansluter strömkontakten till eluttaget, kontrollera att spänningen och frekvensen överensstämmer med specifikationerna på märkplåten.
12. Dra ut strömkontakten från eluttaget när apparaten inte används och före rengöring.
13. Säkerställ att strömkabeln inte hänger över någon skarp kant och håll den borta från varma föremål och öppen eld.
14. Sänk inte ner apparaten eller strömkontakten i vatten eller någon annan vätska. Det är livsfarligt på grund av elektriska stötar!
15. För att dra ut strömkontakten från eluttaget, dra ut den via strömkontakten. Dra inte i strömkabeln.
16. Vidrör inte apparaten om den faller ner i vatten. Dra ut strömkontakten från eluttaget, stäng av apparaten och lämna in den på ett auktoriserat servicecenter för reparation.
17. Du får inte koppla in eller dra ut apparaten från eluttaget med blöta händer.
18. Försök aldrig att öppna apparatens hölje eller reparera den själv. Det kan orsaka elektriska stötar.
19. Lämna aldrig apparaten oövervakad vid användning.
20. Denna apparat är inte utvecklad för kommersiell användning.
21. Använd inte apparaten för något annat ändamål än den är avsedd för.
22. Linda inte kabeln runt apparaten och undvik att böja den.
23. Placera apparaten på en stabil, jämn yta som den inte kan falla ner från.
24. Rengör själva produkten med en något fuktad trasa.
25. Använd inte maskinen utan tillsyn. Om du lämnar arbetsområdet, stäng alltid av maskinen eller dra ut strömkontakten från eluttaget (dra i själva kontakten, inte i kabeln).
26. Flytta inte enheten när fett är flytande/hett.
27. Använd endast fritöskorgen för fritering.
28. Se alltid till att oljebehållaren är torr och fri från vatten före användning. Annars kan den heta oljan spruta ut från behållaren och orsaka bränn- och personskador, eftersom oljan och vattnet har olika kokpunkter.
29. Varning! Blanda aldrig fett och oljor eftersom fritösen kan rinna över. Blanda aldrig olika typer av olja och fett med varandra.

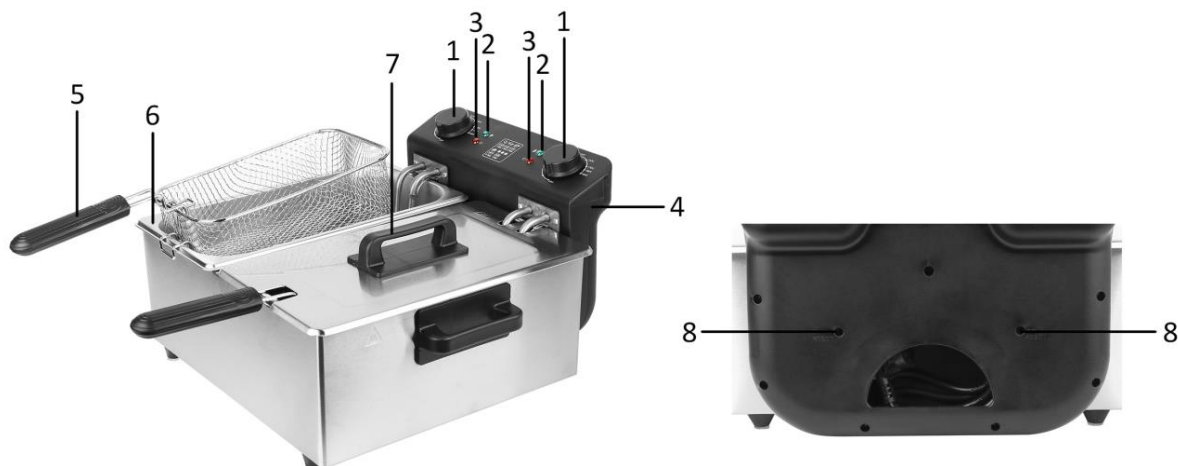
30. Om fritösen börjar brinna, försök inte under några omständigheter att släcka elden med vatten, sätt istället på locket och kväv lågorna med en fuktig trasa.



31. Varning, het yta.

WARNING! Vidrör inte ytan vid användning. Temperaturen för åtkomliga ytor kan vara mycket hög när apparaten används.

BESKRIVNING AV DELAR



1. Termostatvred
2. Grön temperaturindikator
3. Röd strömindikator
4. Löstagbar styrenhet med värmeelement
5. Korghandtag
6. Löstagbar innerbehållare
7. Lockhandtag
8. Återställningsknapp

FÖRE ANVÄNDNINGEN

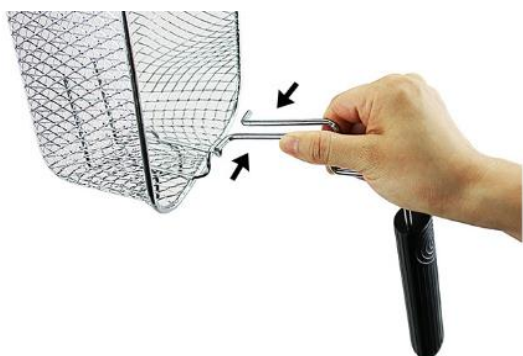
Läs först igenom alla instruktioner före användningen och spara instruktionerna för kommande behov. Anslut endast apparaten till ett jordat uttag.

Ta bort allt förpackningsmaterial innan apparaten används första gången. Skölj sedan av tillbehören och den invändiga behållaren med varmt vatten. Torka noga före användningen. Se till att de elektriska delarna är torra. Fritösen har två löstagbara behållare. Du kan fritera olika typer av mat samtidigt. Varje värmeelement är anslutet till en justerbar termostat och indikatorlampor. Det "öppna" fritössystemet säkerställer ett utmärkt resultat och lätt rengöring.

Apparaten kan avge en del rök och en karakteristisk lukt när du slår på den första gången. Detta är normalt och slutar snart.

HUR DU SKA SKÖTA FRITÖSEN

För att fixera handtaget till korgen: tryck ihop ändarna och för in dem i de två platserna inuti korgen. Tryck in handtaget på korgens rektangulära metalldel. Se till att den sitter ordentligt på plats.





1. Starta aldrig fritösen utan olja eller fett eftersom det kan skada maskinen. Fyll heller aldrig pannan med andra vätskor såsom vatten eller andra ämnen.
2. Placera fritösen på ett stabilt och torrt underlag.
3. Eftersom fritösen blir varm när den används ska du se till att den inte befinner sig för nära andra föremål.
4. Ta bort locket från fritösen och ta ur tillbehören. Vid uppvärmning och fritering, ta bort locket på apparaten för att förhindra kondens.
5. Fyll fritösen med önskad mängd olja eller flytande fett. Endast flytande fett får användas i den här sortens fritös. Se till att den fylls till minst miniminivån och inte mer än till maximal nivå, såsom anges på insidan av apparaten. Blanda aldrig fett och oljor, då det kan leda till att fett eller oljan spiller över. Även blandning av olika typer av oljor eller fetter är farligt.
6. Sätt i kontakten i ett lämpligt eluttag; det redo ljuset tänds.
7. Ställ in termostaten på önskad temperatur, beroende på vad du ska fritera. Läs i temperaturtabellen.
8. Lampan för temperaturkontroll lyser. Oljan är uppvärmd till inställd temperatur efter 20 minuter.
9. Använd handtaget för att placera korgen i fritösen.
10. Placera maten som ska friteras i korgen. För bästa resultat lägg ned torr mat i korgen. Använd aldrig produkter som tidigare tinats upp och därefter frysts ner igen. Dessa innehåller mycket vatten som kommer att resultera i mycket stänk.
11. Sänk ned korgen sakta i oljan för att förhindra våldsam bubbling.
12. Indikatorlampan slocknar när inställd temperatur uppnåtts. Vänta alltid tills inställd temperatur uppnåtts. För att oljan ska hålla inställd temperatur kommer termostaten att upprepade gånger startas och stängas av, även indikatorlampan tänds och släcks.
13. Lyft upp korgen igen när tiden för friteringen har passerat.
14. Låt produkten droppa torr efter friteringen, **skaka aldrig korgen.**
15. Ställ ned termostaten på lägsta värdet (vrid termostaten helt moturs).
16. Dra ur kontakten ur vägguttaget.
17. Skölj av handtaget och korgen efter användandet och torka noga.
18. När väl fritösen har svalnat kan du åter placera korgen i apparaten och ställa undan den. Förvara fritösen med locket stängt på en mörk och torr plats. På detta sätt kan du lämna kvar oljan och korgen i fritösen när du ställer undan den.

FRITYRTIPS

1. När du använder två små korgar är den maximala vikten mat 700 gram för varje korg.
2. Om du vill fritera djupfryst mat kan du maximalt använda 75 % av ovanstående mängder.
3. Ta alltid bort överflödigt is från frysta produkter innan du börjar tillagningen.
4. När du använder frityrmat av färsk potatis: torka av potatisen efter sköljningen så att inget vatten hamnar i oljan.

FRITERINGSTABELL

Denna tabell visar produktkvantiteterna och nödvändig temperatur och friteringstider.

Om instruktionerna på produktförpackningen avviker från värdena som visas i denna tabell ska instruktionerna på förpackningen följas.

Temperatur	Produkttyp	Maximal kvantitet per cykel		Friteringstid (minuter)	
		Färsk	Djupfryst	Färsk eller upptiad	Djupfryst
160°C	Hemlagad pommes frites (första friteringscykeln)	600g	--	9-10	--
	Färsk fisk	500g	--	10-12	--
170°C	Kycklingvingar	10-12	12-13	10-12	12-13
	Ostkroetter	10	9	9-10	10-12
	Små potatisbitar	--	9	--	9-10
	Stekta grönsaker (svamp, blomkål)	10-12	--	2-3	--
	Hemlagad pommes frites (andra friteringscykeln) max.175°C	600g	--	9-10	--
	Djupfryst pommes frites max.175°C	--	550g	--	5-6
180°C	Vårullar	7	8	7-8	9-10
	Kyckling-nuggets	10	12	3-4	4-5
	Minisnacks	10-12	10	3-4	4-5
	Köttbullar (små)	8-10	--	3-4	4-5
	Fiskpinnar	8-10	8	3-4	4-5
	Musslor	15-20	15	3-4	4-5
	Panerade bläckfiskringar	10-12	10	3-4	4-5
	Fisk i frityrsmet	10-12	10	3-4	4-5
	Räkor	10-12	10	3-4	4-5
	Äppelringar	5	--	3-4	--
190°C	Potatischips	600g	550g	3-4	5-6
	Auberginskivor	600g	--	3-4	--
	Potatiskroetter	5	4	4-5	6-7
	Kött- / fiskkroetter	5	4	4-5	6-7
	Munkar	4-5	--	5-6	--
	Inbakad camembert(panerad)	2-4	--	2-3	--
	Cordon bleu	2	--	4-5	--
	Wienerschnitzel	2	--	3-4	--

BYTE AV OLJAN

Se till att fritösen och oljan har kallnat ordentligt innan oljan bytes ut. Byt olja regelbundet. Detta är absolut nödvändigt om oljan blir mörk eller får en annan lukt. Byt olja under alla omständigheter efter var 10:e användning. Byt ut all olja på en gång, blanda aldrig gammal med ny olja. Kasserad olja är en belastning för miljön. Kasta inte oljan i den vanliga soptunnan utan följ de riktlinjer som gäller för din kommunala sophantering.

RENGÖRING OCH UNDERHÅLL

1. Rengör fritösen regelbundet både invändigt och utvändigt.
2. Rengör utsidan av fritösen med en fuktig trasa och torka med en mjuk, ren trasa.
3. Använd aldrig (reparat) skurmedel eller skursvampar.
4. Korgen och handtaget kan rengöras i varmt vatten med lite diskmedel. Torka noga innan det används igen.
5. När du byter oljan kan du samtidigt rengöra insidan av fritösen. Töm fritösen och rengör först insidan med en pappershandduk och sedan med en trasa doppad i vatten med lite diskmedel. Torka sedan med en tygtrasa och låt torka ordentligt.
6. Alla komponenter med undantag av de elektriska delarna kan rengöras i varmt vatten och diskmedel. Torka noga innan delarna används igen.
7. Rengöring i diskmaskin är inte att rekommendera.

TIPS

1. Placera alltid fritösen på en stabil yta och ha inget lättantändligt i närheten.
2. Se till att fritösen inte är nära eller på en inkopplad varm spisplatta.
3. Innan du använder fritösen måste den fyllas med erforderlig mängd olja eller fett.

4. Använd aldrig fritösen utan olja eller fett eftersom detta kan skada enheten.
5. Flytta aldrig fritösen när den är igång. Oljan blir mycket het och du kan bränna dig. Vänta med att flytta fritösen tills oljan har kallnat.
6. Denna fritös är skyddad av en termisk säkerhetsbrytare, vilken stänger av maskinen automatiskt om den blir överhettad.
7. Sänk aldrig ned enheten i vatten.
8. Lämna aldrig fritösen oövervakad när den är igång. Se alltid till barnens säkerhet när de befinner sig i närheten av fritösen.
9. Om fritösen och/eller sladden är skadad måste de repareras av en professionell serviceavdelning.
10. Försök inte att reparera enheten själv, byt inte heller en skadad nätsladd. Detta kräver specialverktyg.
11. Se till att du inte skadar värmeelementet. (Bänd eller buckla inte.)
12. De elektriska komponenterna är utrustade med en säkerhetsbrytare, vilken ser till att värmeelementet endast kan fungera när elementet är korrekt monterat i fritösen.

SÄKERHET

Termisk säkerhetsbrytare

Vid en eventuell överhettning kommer den termiska säkerhetsbrytaren att stänga av fritösen. Detta kan ske om fritösen inte fyllts med tillräckligt med olja eller om fast frityrfett smälts i fritösen. Om du använder fast fett kan inte värmeelementet producera värme snabbt nog. Om den termiska säkerhetsbrytaren stänger av fritösen gör enligt följande:

- Låt oljan eller fett svalna.
- Tryck försiktigt in återställningsknappen på baksidan av kontrollelementet med en liten skruvmejsel.

Fritösen kan nu användas igen.

Säkerhetsbrytare

Säkerhetsbrytaren i kontrollelementet försäkrar att värmeelementet endast kan startas när kontrollelementet låsts på plats.

TEKNISKA DATA

Driftspänning: 220-240V ~ 50Hz

Effekt: 3300W

FELSÖKNING

Apparaten fungerar inte

Felsökning:

- Kontrollera att elen är ansluten.
- Kontrollera termostatens position.

Felsökning:

Kontrollera att kontrollelementet är korrekt placerat.



Andra möjliga orsaker:

Apparaten är utrustad med en **OMSTARTSKNAPPEN**.

Denna förhindrar att värmeelementen slås på av misstag.

Överhettningsskydd

- Om du av misstag slår på din fritös när det inte finns olja eller fett i den kommer överhettningsskyddet automatiskt att aktiveras. Apparaten är nu inte längre möjlig att använda. Dra ur kontakten till fritösen.

- Endast när apparaten har svalnat helt bör OMSTARTSKNAPPEN på baksidan av kontrollelementet användas för att använda fritösen igen. Vänligen använd ett spetsigt föremål för detta syfte.



GARANTI OCH KUNDTJÄNST

Innan leverans genomgår våra apparater en sträng kvalitetskontroll. Om det trots detta skulle uppstå någon skada på produktionen eller vid transporten, ber vi dig att ta med apparaten tillbaka till inköpsstället.

För den köpta apparaten ges 2 års garanti, med början på inköpsdagen. Om du har en defekt produkt, kan du vända dig direkt till inköpsstället.

Brister som uppstår genom felaktig hantering av apparaten och fel som uppstår genom ingrepp och reparationer av tredje man eller montering av främmande delar, omfattas ej av vår garanti. Behåll alltid ditt kvitto då det är din garanti vid eventuell reklamation. Skador som uppstår p.g.a. att instruktionsmanualen inte följs ogiltigförklarar garantin och om detta leder till påföljande skador så kan inte vi hållas ansvariga. Vi kan inte hållas ansvariga för materiella skador eller personskador som orsakas av felaktig användning eller om inte säkerhetsföreskrifterna följs. Skador på tillbehören innebär inte per automatik ersättning av hela apparaten. I sådana fall ska du kontakta vår kundservice. Trasigt glas och trasiga plastdelar innebär alltid en kostnad. Defekter på förbrukningsartiklar eller slitdelar och även skador orsakade av rengöring, underhåll eller byte av tidigare nämnda delar täcks inte av garantin och ska således betalas av ägaren.



Den överkorsade soptunnan betyder att denna produkt inte skall kastas i de vanliga hushållssoporna. Elektronisk och elektrisk utrustning som inte källsorteras utgör en potentiell risk för miljön och människors hälsa på grund av att de innehåller farliga substanser. Avyttra på ett ansvarsfullt sätt och lämna till en godkänd återvinningsanläggning.

Emerio B.V.
Oudeweg 115
2031 CC Haarlem
The Netherlands

Customer service:
T: +31 (0) 23 3034369
www.emerio.eu/service

Kundeninformation:
T: +49 (0) 3222 1097 600
www.emerio.eu/service

Klantenservice:
T: +31 (0) 23 3034369
www.emerio.eu/service

Looking for spare parts? Have a look at <https://spareparts.emerio.eu>

Sie brauchen Ersatzteile? Besuchen Sie <https://ersatzteile.emerio.eu>

Onderdelen nodig? Kijk op <https://onderdelen.emerio.eu>



KUNDTJÄNST



RESERVDELAR

Gebruiksaanwijzing – Dutch

VEILIGHEIDSVOORSCHRIFTEN

Voor gebruik dient u alle onderstaande instructies te lezen om letsel en schade te voorkomen en om de beste resultaten met het apparaat te bereiken. Bewaar deze handleiding op een veilige plek. Mocht u dit apparaat aan iemand anders overhandigen, dient u ook de gebruiksaanwijzing te overhandigen.

In geval van schade die wordt veroorzaakt doordat de gebruiker de instructies in deze gebruiksaanwijzing niet in acht heeft genomen, komt de garantie te vervallen. De fabrikant/importeur is niet aansprakelijk voor schade die wordt veroorzaakt door het niet in acht nemen van de gebruiksaanwijzing, door nalatig gebruik of gebruik dat niet in overeenstemming is met de bepalingen van deze gebruiksaanwijzing.

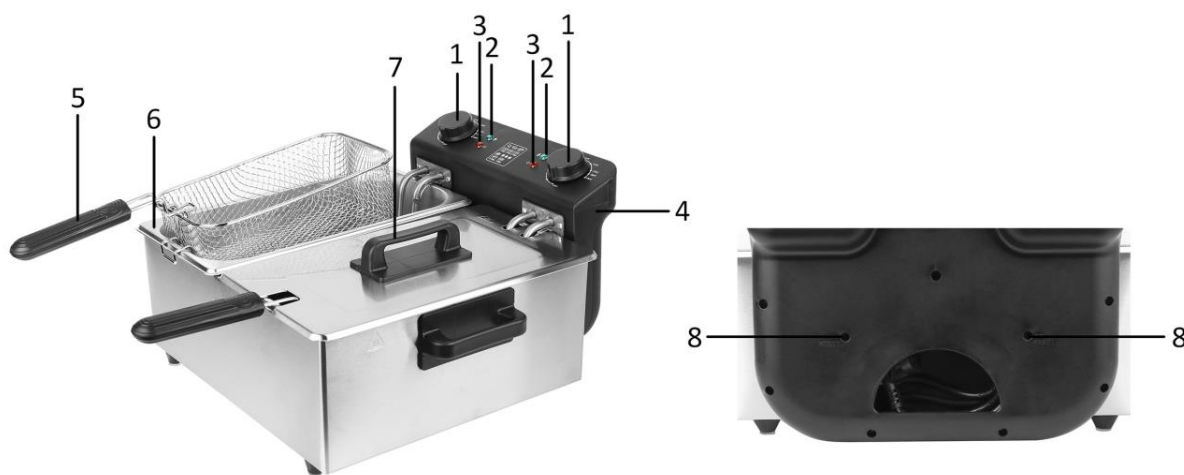
1. Dit apparaat mag niet worden gebruikt door kinderen van 0 tot 8 jaar. Het apparaat kan worden gebruikt door kinderen vanaf 8 jaar mits zij voortdurend onder supervisie staan. Dit apparaat kan worden gebruikt door personen met fysieke, zintuiglijke of mentale beperkingen, of die het ontbreekt aan ervaring en kennis, mits ze onder supervisie staan of instructies hebben gekregen omtrent het veilige gebruik van het apparaat en inzicht hebben in de risico's die er aan zijn verbonden.
2. Houd het apparaat en snoer buiten het bereik van kinderen jonger dan 8 jaar.
3. Laat kinderen niet met het apparaat spelen.
4. Kinderen mogen het apparaat niet reinigen of onderhouden.
5. Kookgerei moet op een stabiele manier met de handgrepen (indien aanwezig) gepositioneerd worden om het spillo van hete vloeistoffen te voorkomen.
6. Als het snoer is beschadigd, moet het worden vervangen door de fabrikant, zijn klantenservice of gelijksoortig geschoolde personen om gevaar te vermijden.
7. Dit apparaat is bestemd voor het gebruik in huishoudens en soortgelijke toepassingen zoals: personeelskeukens in winkels, kantoren of werkplekken; boerderijen; door gasten in hotels, motels en andere types van huisvesting; bed and breakfasts en vergelijkbare instellingen.
8. Met het oog op de instructies voor de reiniging van de oppervlakken die in contact kunnen komen met voedsel of olie, dient u de instructies in de paragraaf "Reiniging en onderhoud" van de gebruiksaanwijzing in acht te nemen.
9. Dit apparaat is niet bestemd voor gebruik door middel van een externe timer of een afzonderlijk op afstand bestuurd systeem.
10. Als u gebruik maakt van een verlengkabel, dient dit geschikt te zijn voor het stroomverbruik van het apparaat, anders kan oververhitting van de verlengkabel en/of stekker het gevolg zijn. Er is risico op letsel door het struikelen over het verlengsnoer. Wees voorzichtig om gevaarlijke situaties te vermijden.
11. Voordat u de stekker in het stopcontact steekt, dient u te controleren of de stroom en de frequentie overeen komen met de specificaties van het typeplaatje.
12. Trek de stekker uit het stopcontact als het apparaat niet in gebruik is en voordat u het apparaat reinigt.
13. Let op dat de stroomkabel niet over scherpe randen hangt en niet in de buurt komt van hete voorwerpen en open vuur.
14. Dompel het apparaat of de stekker niet onder in water of andere vloeistoffen. Er bestaat levensgevaar als gevolg van een elektrische schok!
15. Om de stekker uit het stopcontact te halen, dient u aan de stekker zelf te trekken. Trek niet aan de stroomkabel.
16. Raak het apparaat niet aan als het in water is gevallen. Trek de stekker uit het stopcontact, schakel het apparaat uit en breng het ter reparatie naar een geautoriseerd servicecenter.
17. Steek de stekker niet in het stopcontact en haal hem er niet uit als u natte handen heeft.
18. Probeer nooit de behuizing van het apparaat te openen en probeer nooit zelf het apparaat te repareren. Dit kan een elektrische schok veroorzaken.
19. Laat het apparaat nooit onbeheerd achter wanneer het in gebruik is.
20. Dit apparaat werd niet ontworpen voor commercieel gebruik.
21. Gebruik het apparaat niet voor andere doeleinden dan het beoogde doel.
22. Draai de kabel niet om het apparaat en buig hem niet.
23. Plaats het apparaat op een stabiele, vlakke ondergrond waar het niet vanaf kan vallen.
24. Reinig het product zelf met een licht bevochtigde doek.
25. Gebruik de machine niet zonder toezicht. Als u de werkplek verlaat, dient u de machine altijd uit te schakelen of de stekker uit het stopcontact te trekken (trek aan de stekker zelf, niet aan de kabel).
26. Beweeg of verplaats het apparaat niet als het vet vloeibaar/heet is.
27. Gebruik alstublieft altijd de frituurmand om te frituren.

28. Zorg steeds dat het oliereservoir droog is en geen water bevat alvorens te gebruiken. Indien dat niet het geval is, kan er hete olie uit het reservoir worden geblazen en zo mensen verbranden en verwonden, aangezien de olie en het water een andere kooktemperatuur hebben.
29. Waarschuwing: Meng nooit vet en olie, aangezien de friteuse hierdoor over kan lopen. Meng ook nooit verschillende soorten olie en vet met elkaar.
30. Als de friteuse vlam mocht vatten, mag u absoluut nooit proberen, de vlammen met water te blussen. In plaats daarvan plaatst u het deksel erop en probeert u de vlammen te doven door ze met een vochtige doek zuurstof te onttrekken.



31. **Opgelet, heet oppervlak.**
WAARSCHUWING!! Raak het oppervlak niet aan tijdens het gebruik. De temperatuur van de toegankelijke oppervlakken kan hoog oplopen als het apparaat in werking is.

BESCHRIJVING VAN DE ONDERDELEN



1. Thermostaatknop
2. Groen temperatuur-controlelampje
3. Rood aan/uit-controlelampje
4. Verwijderbare regeleenheid met verwarmingselement
5. Handvat van mand
6. Verwijderbare binnenpan
7. Handvat van deksel
8. Resetknop

VOOR GEBRUIK

Lees alle instructies vóór gebruik en bewaar de instructies om ze eventueel later te kunnen raadplegen. Steek dit toestel alleen in een geaarde contactdoos.

Vóór het eerste gebruik moeten de verpakkingsmaterialen verwijderd worden. Was daarna de accessoires en de binnenkant in warm water. Droog zorgvuldig vooraleer het toestel te gebruiken. Verzeker dat de elektrische delen droog blijven. De friteuse is uitgerust met twee uitneembare reservoirs. U kunt aldus verschillende soorten voedsel tegelijkertijd frituren. Elk verwarmingselement is aangesloten op één instelbare thermostaat en controlelampjes. Het "open" frituursysteem verzekert uitstekende professionele resultaten en een eenvoudige reiniging.

Het apparaat kan wat rook en een karakteristieke geur afscheiden als u het voor de eerste keer aanzet. Dit is normaal en zal snel ophouden.

HOE DE FRITOUSE GEBRUIKEN

Om de handgreep aan de mand te bevestigen, druk de uiteinde naar elkaar toe en plaats de uiteinde in de 2 rondjes in de mand. Druk nu de handgreep over het rechthoekige metalen gedeelte van de mand. Zorg dat het stevig vastzit.



1. Schakel de friteuse nooit in zonder olie of vet, aangezien de machine hierdoor beschadigd zou kunnen worden. Giet nooit andere vloeistoffen zoals water of andere stoffen in de friteuse.
2. Plaats de friteuse op een droog, stabiel oppervlak.
3. Aangezien de friteuse tijdens het gebruik heet wordt mag het toestel niet te kort in de buurt van andere voorwerpen komen.
4. Neem het deksel van de friteuse en neem de accessoires uit. Plaats tijdens het opwarmen en het frituren het deksel niet op het apparaat om condensvorming te voorkomen.
5. Vul de friteuse met de gewenste hoeveelheid olie of vloeibaar vet. In dit type friteuse kan alleen vloeibaar vet gebruikt worden. Verzekert dat de friteuse tot het minimum niveau gevuld is, en niet hoger dan het maximum niveau, zoals aan de binnenkant van het toestel aangegeven. Meng nooit vetten en oliën, de friteuse kan hierdoor overstromen. Ook het mengen van verschillende olie- en vetsoorten met elkaar is gevaarlijk!
6. Steek de stekker in een geschikt stopcontact; het rode lampje zal oplichten.
7. Stel de thermostaat op de vereiste temperatuur in die geschikt is voor wat u aan het frituren bent. Raadpleeg de temperatuurtabel.
8. De controlelamp voor de temperatuur licht op. De olie of het vet wordt binnen 20 minuten op de vereiste temperatuur gebracht.
9. Gebruik de handgreep om de korf in de friteuse te plaatsen.
10. Plaats de te frituren etenswaren in de korf. Voor de beste resultaten raden wij u aan droge etenswaren in de korf te leggen. Gebruik nooit eerder ontdooid en vervolgens opnieuw ingevroren diepvriesproducten. Deze bevatten veel water, wat overmatig spatten zal veroorzaken.
11. Laat de korf langzaam tot in de olie dalen om te grote bubbels te vermijden.
12. De LED gaat uit wanneer de geselecteerde temperatuur bereikt is. Wacht altijd tot de geselecteerde temperatuur bereikt is. Om de olie op de geselecteerde temperatuur te houden zal de thermostaat herhaaldelijk aan en uit gaan, en zal de LED eveneens oplichten.
13. Breng de korf weer naar boven wanneer de frituurtijd verstreken is.
14. Laat na het frituren het product uitdruppen, **schud nooit met de korf.**
15. Plaats de thermostaat op het laagste niveau (draai de thermostaat volledig tegen de richting van de wijzers van de klok in).
16. Trek de stekker uit.
17. Spoel de handgreep en de korf na gebruik, en droog zorgvuldig.
18. Wanneer de friteuse volledig afgekoeld is kunt u de korf weer in het toestel plaatsen en het toestel bewaren. Bewaar de friteuse met gesloten deksel in een donkere, droge plaats. Op deze manier kunt u de olie en de korf tijdens de opslag in de friteuse laten.

TIPS OM TE FRITUREN

1. Bij gebruik van de twee kleine manden is de maximale hoeveelheid voedsel 700 gram per mand.
2. Als uw diepgevroren voedsel wilt frituren, gebruik dan maximaal 75% van de bovenstaande hoeveelheden.
3. Verwijder altijd overtollig ijs van de diepvriesproducten voordat u start met frituren.

4. Wanneer frieten van verse aardappelen gebruikt worden: droog de frieten na het wassen zodat er geen water in de olie komt.

FRITUURTABEL

Deze tabel toont de hoeveelheden van de etenswaren evenals de vereiste temperatuur en tijden.

Wanneer de aanwijzingen op de verpakking van het product van de in deze tabel getoonde waarden verschillen, dan moeten de aanwijzingen op de verpakking gevolgd worden.

Temperatuur	Producttype	Maximum hoeveelheid per cyclus		Tijd(minuten)	
		Vers	Diepgevroren	Vers of ontdooid	Diepgevroren
160°C	Zelfgemaakte frieten (eerste cyclus)	600g	--	9-10	--
	Verse vis	500g	--	10-12	--
170°C	Kippenvleugels	10-12	12-13	10-12	12-13
	Kaaskroketten	10	9	9-10	10-12
	Kleine aardappelrepen	--	9	--	9-10
	Gefrituurde groeten (champignons, bloemkool)	10-12	--	2-3	--
	Zelfgemaakte frieten (tweede cyclus) max.175°C	600g	--	9-10	--
180°C	Diepgevroren chips max.175°C	--	550g	--	5-6
	Loempia's	7	8	7-8	9-10
	Kipnuggets	10	12	3-4	4-5
	Mini snacks	10-12	10	3-4	4-5
	Bouletten (klein)	8-10	--	3-4	4-5
	Vissticks	8-10	8	3-4	4-5
	Mosselen	15-20	15	3-4	4-5
	Inktvisringen	10-12	10	3-4	4-5
	Vis in bladerdeeg	10-12	10	3-4	4-5
	Garnalen	10-12	10	3-4	4-5
Appelringen	5	--	3-4	--	
190°C	Aardappelchips	600g	550g	3-4	5-6
	Auberginerepen	600g	--	3-4	--
	Aardappelkroketten	5	4	4-5	6-7
	Vlees-/viskroketten	5	4	4-5	6-7
	Doughnuts	4-5	--	5-6	--
	Gebakken Camembert(gebraden)	2-4	--	2-3	--
	Cordon bleu	2	--	4-5	--
	Wiener Schnitzel	2	--	3-4	--

DE OLIE VERVANGEN

Verzekert dat de friteuse en de olie volledig afgekoeld zijn voordat de olie vervangen wordt. Vervang de olie regelmatig. Dit is absoluut noodzakelijk wanneer de olie donker wordt of een andere geur krijgt. Vervang de olie in elk geval na 10 cycli. Vervang de olie onmiddellijk; meng nooit gebruikte en verse olie. Gebruikte olie is schadelijk voor het milieu. Gebruikte olie hoort niet in het normale huisvuil thuis. Volg de richtlijnen van de bevoegde gemeentelijke instanties.

REINIGING EN ONDERHOUD

1. Reinig de friteuse regelmatig, zowel aan de binnen- als aan de buitenkant.
2. Reinig de buitenkant van de friteuse met een vochtige doek en droog met een zachte, zuivere doek.
3. Gebruik nooit schurende reinigingsmiddelen of sponsen.
4. De korf en de handgreep kunnen in warm zeepwater gewassen worden. Goed drogen vooraleer ze opnieuw te gebruiken.
5. Wanneer de olie vervangen wordt kunt u ook de binnenkant van de friteuse reinigen. Maak de friteuse leeg en reinig eerst de binnenkant met een papieren handdoek en daarna met een in zeepwater gedompelde doek. Wrijf vervolgens met een vochtige doek en laat zorgvuldig drogen.
6. Alle componenten, behalve de elektrische delen, kunnen in warm zeepwater gewassen worden. Zorgvuldig drogen vooraleer ze opnieuw te gebruiken.
7. Reiniging in een vaatwasmachine is niet aanbevolen.

TIPS

1. Verzeker altijd dat de friteuse op een stabiel oppervlak staat en ver verwijderd van eventuele ontvlambare materialen.
2. Verzeker dat de friteuse niet in de buurt of op een ingeschakelde verwarmingsplaat staat.
3. Voordat de friteuse gebruikt wordt moet het toestel eerst met de vereiste hoeveelheid olie of vet gevuld worden.
4. Gebruik de friteuse nooit zonder olie of vet omdat het toestel hierdoor beschadigd zou kunnen worden.
5. Verplaats de friteuse nooit tijdens het gebruik. De olie wordt zeer heet en u kunt zich verbranden. Wacht tot de friteuse volledig afgekoeld is vooraleer het toestel te verplaatsen.
6. De friteuse is beschermd door middel van een thermische veiligheidsuitschakeling die de machine in geval van oververhitting automatisch uitschakelt.
7. Dompel het toestel nooit in water.
8. Laat de friteuse nooit zonder toezicht achter wanneer het toestel gebruikt wordt. Verzeker altijd de veiligheid van kinderen wanneer zij zich in de buurt van de friteuse bevinden.
9. Wanneer de friteuse en/of de kabel beschadigd zijn moeten zij door een professioneel servicecenter gerepareerd worden.
10. Probeer nooit het toestel zelf te repareren, of een beschadigde kabel te vervangen. Hiervoor zijn speciale werktuigen vereist.
11. Verzeker dat het verwarmingselement niet beschadigd wordt (niet gebogen of ingedeukt).
12. Het elektrische component is met een veiligheidsuitschakeling uitgerust die verzekert dat het element alleen kan werken wanneer het correct op de friteuse geplaatst is.

VEILIGHEID

Thermische veiligheidsuitschakeling

Het toestel is uitgerust met een thermische veiligheidsuitrusting die het toestel uitschakelt in geval van een oververhitting. Een oververhitting is mogelijk wanneer er geen of onvoldoende olie of vet in de friteuse is, of wanneer blokken vast vet in de friteuse gesmolten worden. Hierdoor wordt het verwarmingselement in de afgifte van warmte belemmerd. Neem de volgende maatregelen wanneer de thermische veiligheidsuitschakeling het toestel uitgeschakeld heeft:

- Laat de olie of het vet afkoelen.
- Druk de resetknop aan de achterkant van het stuurpaneel met een kleine schroevendraaier voorzichtig in. Nu kan het toestel opnieuw gebruikt worden.

Veiligheidsschakelaar

De veiligheidsschakelaar in het stuurpaneel verzekert dat het verwarmingselement alleen ingeschakeld kan worden wanneer het betreffende element in de juiste positie is.

TECHNISCHE GEGEVENS

Bedrijfsspanning: 220-240V ~ 50Hz

Vermogen: 3300W

PROBLEEMOPLOSSING

Het apparaat functioneert niet.

Probleemoplossing:

- Controleer de hoofdaansluiting.
- Controleer de stand van de thermostaat.

Probleemoplossing:

Controleer of het bedieningselement goed vast zit.



Andere mogelijke oorzaken:

Het apparaat is uitgerust met een **RESET knop**.

Dit voorkomt dat de friteuse per ongeluk ingeschakeld wordt.

Bescherming tegen oververhitting

- Wanneer u per ongeluk uw friteuse inschakelt als er geen olie of vet in zit, dan zal de oververhittingbescherming automatisch ingeschakeld worden. Het apparaat is niet meer gereed voor gebruik. Haal de stekker uit het stopcontact.
- Alleen nadat het apparaat helemaal heeft kunnen afkoelen dient de RESET-knop aan de achterkant van het bedieningselement ingedrukt te worden om de friteuse weer te gebruiken. Gebruik een puntig voorwerp hiervoor.



GARANTIE EN KLANTENSERVICE

Vóór de levering worden onze apparaten streng gecontroleerd. Indien het toestel ondanks alle zorg bij de productie of tijdens het transport beschadigd werd, moet u het naar de handelaar terugbrengen.

Wij geven een garantie van 2 jaar op het toestel, te beginnen met de koopdatum. Indien u een defect product heeft, kunt u rechtstreeks terug gaan naar het aankooppunt.

Gebreken die het gevolg zijn van ondeskundig gebruik van het toestel, fouten tijdens ingrepen en reparaties door derden of door de inbouw van vreemde onderdelen, vallen niet onder deze garantie. Bewaar altijd uw aankoopnota, zonder aankoopnota kunt u geen aanspraak maken op enige vorm van garantie. Bij schade veroorzaakt door het niet opvolgen van de gebruiksaanwijzing vervalt het recht op garantie. Voor vervolgschade die hieruit ontstaat kunnen wij niet verantwoordelijk gehouden worden. Voor materiële schade of persoonlijk letsel veroorzaakt door ondeskundig gebruik of het niet opvolgen van de veiligheidsvoorschriften zijn wij niet aansprakelijk. In dergelijke gevallen vervalt iedere aanspraak op garantie. Schade aan accessoires of onderdelen betekend niet dat het gehele apparaat zal worden vervangen. Afgebroken glazen of kunststof onderdelen of accessoires vallen niet onder de garantie en zullen tegen vergoeding vervangen kunnen worden. Defecten aan hulpstukken of aan slijtage onderhevige onderdelen, alsmede reiniging, onderhoud of de vervanging van slijtende delen vallen niet onder de garantie en zullen dus in rekening gebracht worden.



Het symbool van de doorgekruiste vuilniscontainer betekent dat dit product niet met het gewone huisvuil mag worden weggegooid. Elektronische en elektrische apparatuur die niet is opgenomen in het selectieve afvalsorteringsproces is potentieel gevaarlijk voor het milieu en de menselijke gezondheid vanwege de aanwezigheid van gevaarlijke stoffen. Voer deze op verantwoorde wijze af bij een erkend afvalverwerkings- of recyclingbedrijf.

Emerio B.V.
Oudeweg 115
2031 CC Haarlem
The Netherlands

Customer service:
T: +31 (0) 23 3034369
www.emerio.eu/service

Kundeninformation:
T: +49 (0) 3222 1097 600
www.emerio.eu/service

Klantenservice:
T: +31 (0) 23 3034369
www.emerio.eu/service

Looking for spare parts? Have a look at <https://spareparts.emerio.eu>

Sie brauchen Ersatzteile? Besuchen Sie <https://ersatzteile.emerio.eu>

Onderdelen nodig? Kijk op <https://onderdelen.emerio.eu>



KLANTENSERVICE



RESERVEONDERDELEN

INSTRUKCJE DOTYCZĄCE BEZPIECZEŃSTWA

Aby nie dopuścić do urazów lub uszkodzeń oraz aby maksymalnie wykorzystać możliwości urządzenia, przed rozpoczęciem jego użytkowania należy przeczytać wszystkie poniższe zalecenia. Niniejszą instrukcję należy przechowywać w bezpiecznym miejscu. W przypadku przekazania lub odstąpienia komuś tego urządzenia, do urządzenia należy dołączyć również tę instrukcję.

W przypadku uszkodzenia spowodowanego nieprzestrzeganiem przez użytkownika zaleceń podanych w niniejszej instrukcji gwarancja nie ma zastosowania. Producent/importer nie ponosi odpowiedzialności za szkody spowodowane nieprzestrzeganiem podanych w instrukcji zaleceń, zaniedbaniami oraz użytkowaniem w sposób niezgodny z wymaganiami opisanymi w instrukcji.

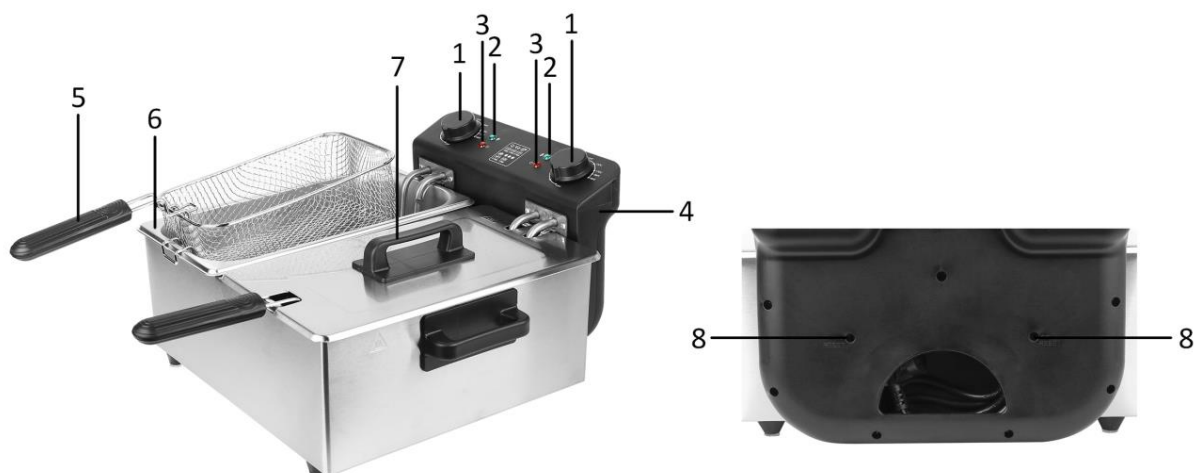
1. Urządzenie nie powinno być używane przez dzieci w wieku od 0 do 8 lat. Pod warunkiem zapewnienia ciągłego nadzoru, urządzenie może być używane przez dzieci w wieku od lat 8. Pod warunkiem zapewnienia odpowiedniego nadzoru, pouczenia na temat bezpiecznej obsługi i dopilnowania zrozumienia zagrożeń, urządzenie może być używane przez osoby o ograniczeniach fizycznych, czuciowych lub psychicznych, a także osoby, którym brak jest doświadczenia lub wiedzy.
2. Urządzenie i jego kabel należy trzymać w miejscu niedostępnym dla dzieci do lat 8.
3. Dzieci nie powinny bawić się urządzeniem.
4. Dzieci nie mogą wykonywać czynności związanych z czyszczeniem i konserwacją.
5. Urządzenia kuchenne należy ustawiać w sposób stabilny, z uchwyty (o ile występują) usytuowanymi w sposób zapobiegający rozlewaniu gorących cieczy.
6. Jeżeli kabel zasilający zostanie uszkodzony, aby uniknąć niebezpiecznych sytuacji, należy go wymienić. Wymiany powinien dokonać producent, przedstawiciel jego serwisu lub inne osoby o podobnych kwalifikacjach.
7. Urządzenie jest przeznaczone do zastosowań domowych i podobnych, takich jak np.: kucharki pracownicze w sklepach, biurach i innych obiektach pracowniczych; domy na wsi; użytkowanie przez klientów w hotelach, motelach i innych obiektach mieszkaniowych oraz obiekty oferujące nocleg ze śniadaniem.
8. Zalecenia dotyczące czyszczenia powierzchni mających kontakt z żywnością lub olejem podano w instrukcji w części „Czyszczenie i konserwacja”.
9. To urządzenie nie jest przystosowane do sterowania za pomocą zewnętrznego minutnika lub oddzielnego pilota.
10. Jeżeli jest używany przedłużacz, musi on być dostosowany do mocy pobieranej przez urządzenie. W przeciwnym wypadku może dojść do przegrzania się przedłużacza i/lub wtyczki. Istnieje potencjalne ryzyko urazów na skutek potknięcia się o przewód zasilający. Zachowaj ostrożność, by uniknąć niebezpiecznych sytuacji.
11. Przed włożeniem wtyczki do kontaktu, należy sprawdzić, czy napięcie i częstotliwość są zgodne ze specyfikacją podaną na tabliczce znamionowej.
12. Przed czyszczeniem i na czas, gdy urządzenie nie jest używane, należy wyjąć wtyczkę z kontaktu.
13. Należy dopilnować, aby kabel zasilający nie zwiisał z ostrych krawędzi. Należy go trzymać z dala od gorących przedmiotów i otwartych płomieni.
14. Urządzenia i wtyczki kabla zasilającego nie wolno zanurzać w wodzie lub innych płynach. Ryzyko utraty życia wskutek porażenia prądem!
15. W celu wyjęcia wtyczki z kontaktu należy ciągnąć za wtyczkę. Nie należy ciągnąć za kabel zasilający.
16. Jeśli urządzenie wpadnie do wody, nie wolno go dotykać. Należy wyjąć wtyczkę z kontaktu, wyłączyć urządzenie i wysłać je do autoryzowanego punktu serwisowego w celu dokonania naprawy.
17. Nie należy mokrą ręką wkładać wtyczki urządzenia do kontaktu lub wyjmować jej z niego.
18. Nigdy nie należy próbować otwierać obudowy urządzenia lub samodzielnie urządzenie naprawić. Mogłoby to doprowadzić do porażeniem prądem.
19. W czasie użytkowania nie należy nigdy zostawiać urządzenia bez nadzoru.
20. Urządzenie nie zostało zaprojektowane do użytku komercyjnego.
21. Urządzenia nie należy używać do celów, do których nie jest ono przeznaczone.
22. Kabla nie należy owijać wokół urządzenia ani zaginać.
23. Urządzenie należy ustawić na stabilnej i płaskiej powierzchni, z której nie będzie ono mogło spaść.
24. Produkt należy czyścić lekko zwilżoną ściereczką.
25. Nie należy zostawiać włączonego urządzenia bez nadzoru; opuszczając miejsce pracy użytkownik powinien zawsze wyłączyć urządzenie lub wyjąć wtyczkę z kontaktu (należy ciągnąć za wtyczkę, a nie za przewód).

26. Nie należy przestawiać urządzenia, w którym znajduje się płynny/gorący tłuszcz.
27. Do smażenia w głębokim tłuszczu należy zawsze używać kosza do smażenia.
28. Przed użyciem należy się zawsze upewnić, czy zbiornik oleju jest suchy i czy nie ma w nim wody. Jeśli jest, wówczas ze zbiornika może wyprysnąć gorący olej, który może się zapalić i spowodować oparzenia osób, ponieważ olej i woda mają różne temperatury wrzenia.
29. Ostrzeżenie: Nigdy nie należy mieszać ze sobą tłuszczów i olejów, ponieważ mogłyby się one przelać z frytownicy. Nie należy też nigdy mieszać ze sobą różnych rodzajów oleju i tłuszczu.
30. W przypadku, gdyby frytownica zapaliła się, nie należy w żadnym wypadku gasić płomieni wodą, zamiast tego należy zdjąć pokrywę i zdusić płomień wilgotną szmatką.



31. **Uwaga, gorąca powierzchnia.**
OSTRZEŻENIE!! Nie dotykać powierzchni podczas użytkowania. W czasie pracy urządzenia temperatura dostępnych powierzchni może być wysoka.

OPIS CZĘŚCI



1. Pokrętło termostatu
2. Zielona kontrolka temperatury
3. Czerwona kontrolka zasilania
4. Zdejmowany moduł sterujący z grzałką
5. Rączka kosza
6. Wyjmowany zbiornik wewnętrzny
7. Uchwyt przykrywki
8. Przycisk resetowania

PRZED UŻYCIEM

Przeczytaj najpierw wszystkie instrukcje przed rozpoczęciem używania urządzenia i zachowaj je do użycia w przyszłości. Podłączaj to urządzenie tylko do uziemionego gniazdka.

Przed użyciem, usuń materiały pakujące. Następnie umyj akcesoria oraz wnętrze smażarki ciepłą wodą. Przed użyciem dokładnie wszystko osusz. Upewnij się, że elektryczne części pozostają suche. Frytownica jest wyposażona w dwa wyjmowane zbiorniki; użytkownik może jednocześnie smażyć różne rodzaje produktów spożywczych. Każda grzałka jest podłączona do jednego regulowanego termostatu i jednej lampki kontrolnej. "Otwarty" system smażenia zapewnia wspaniałe profesjonalne wyniki i łatwość czyszczenia.

Urządzenie może emitować niewielką ilość dymu i charakterystyczny zapach, gdy je włączysz po raz pierwszy. Jest to normalne i wkrótce się skończy.

JAK OBSŁUGIWAĆ SMAŻARKĘ

Aby przymocować uchwyt koszyka, wciśnij razem końcówki i włóż je do dwóch otworów w koszyku. Wciśnij uchwyt na prostokątnej, metalowej części koszyka. Prosimy upewnić się, że element jest mocno zamocowany.



1. Nigdy nie włączaj smażarki bez oleju lub tłuszczu, gdyż może to uszkodzić urządzenie. Nie wlewaj także innych cieczy, np. wody lub innych substancji do smażarki.
2. Umieść smażarkę na suchej i stabilnej powierzchni.
3. Ponieważ smażarka nagrzewa się podczas korzystania, upewnij się, że nie znajduje się w pobliżu innych obiektów.
4. Zdejmij pokrywę ze smażarki i wyjmij akcesoria. Podczas podgrzewania i smażenia nie należy używać przykrywkę urządzenia, aby nie dopuścić do skraplania się pary.
5. Napełnij smażarkę odpowiednią ilością oleju lub ciekłego tłuszczu. W tym typie smażarki można używać tylko ciekłego tłuszczu. Upewnij się, że jest wypełniona do poziomu nie mniejszego niż minimalny i nie większego niż maksymalny, zgodnie z oznaczeniami wewnątrz urządzenia. Nigdy nie mieszaj tłuszczu i olei, gdyż smażarka może wykipieć; mieszanie różnych typów olei i tłuszczu jedno z drugim jest niebezpieczne.
6. Podłącz przewód zasilający do odpowiedniego gniazdka; zapali się czerwona lampka wskaźnikowa.
7. Ustaw termostat na pożądaną temperaturę, odpowiednią do zamierzonego rodzaju produktu do smażenia. Zobacz tabelę temperatur.
8. Zaświeci się kontrolka temperatury. Olej lub tłuszcz są podgrzane do odpowiedniej temperatury w od 20 minut.
9. Użyj uchwytu, aby umieścić koszyk w smażarce.
10. Umieść produkty do smażenia w koszyku. Aby uzyskać najlepsze rezultaty, umieść w koszyku suche produkty. Nigdy nie należy używać produktów raz rozmrożonych i ponownie zamrożonych. Zawierają one dużo wody, co spowodowałoby nadmierne pryskanie.
11. Umieść koszyk powoli w oleju, aby uniknąć nadmiernego wytwarzania się piany.
12. Lampka wskaźnikowa zgaśnie, gdy temperatura, którą wybrano zostanie osiągnięta. Zawsze czekaj do momentu osiągnięcia wybranej temperatury. Aby utrzymać olej w określonej temperaturze, termostat będzie w powtarzający się sposób włączać i wyłączać wraz z lampką wskaźnikową.
13. Po osiągnięciu czasu smażenia, unieś koszyk.
14. Po usmażeniu, pozwól aby produkt odkapał olej, **nigdy nie potrząśnij koszykiem.**
15. Ustaw termostat na najniższą temperaturę (przekręć termostat do końca w kierunku przeciwnym do ruchu wskazówek zegara).
16. Odłącz wtyczkę z gniazdka.
17. Opłucz uchwyt i koszyk po użyciu, następnie dokładnie wysusz.
18. Gdy smażarka całkowicie ostygnie, możesz umieścić koszyk w urządzeniu i schować je. Przechowuj smażarkę z zamkniętą pokrywą, w suchym i ciemnym miejscu. W ten sposób możesz pozostawić olej i koszyk wewnątrz smażarki podczas przechowywania.

PORADY DOT. SMAŻENIA

1. W przypadku używania dwóch małych koszy, maksymalna ilość produktów spożywczych wynosi 700 gramów na każdy kosz.
2. Jeśli chce się usmażyć produkty głęboko zamrożone, należy nakładać maksymalnie po 75% powyższych ilości.

- Przed smażeniem z mrożonek należy zawsze usunąć nadmiar lodu.
- Gdy używasz frytek ze świeżych ziemniaków: osusz frytki po myciu, aby do oleju nie dostała się woda.

TABELA SMAŻENIA

Ta tabela pokazuje ilości produktów spożywczych, wymaganą temperaturę oraz czas smażenia. Jeżeli instrukcje na opakowaniu są różne od tych w niniejszej tabeli, powinno się przestrzegać instrukcji z opakowania.

Tempe- ratura	Typ produktu	Maksymalna ilość na cykl		Czas smażenia (minuty)	
		Świeży	Głęboko zamrożony	Świeży lub rozmrożony	Głęboko zamrożony
160°C	Frytki domowej roboty (pierwszy cykl smażenia)	600g	--	9-10	--
	Świeża ryba	500g	--	10-12	--
170°C	Skrzydółka z kurczaka	10-12	12-13	10-12	12-13
	Krokiety serowe	10	9	9-10	10-12
	Małe placki ziemniaczane	--	9	--	9-10
	Smażone warzywa (pieczarki, kalafior)	10-12	--	2-3	--
	Frytki domowej roboty (drugi cykl smażenia) maks. 175°C	600g	--	9-10	--
180°C	Głęboko zamrożone frytki mąka. 175°C	--	550g	--	5-6
	Sajgonki	7	8	7-8	9-10
	Nuggety z kurczaka	10	12	3-4	4-5
	Mini przekąski	10-12	10	3-4	4-5
	Kulki mięsne (małe)	8-10	--	3-4	4-5
	Paluszki rybne	8-10	8	3-4	4-5
	Małże	15-20	15	3-4	4-5
	Panierowane krążki kalmarów	10-12	10	3-4	4-5
	Ryba w panierce	10-12	10	3-4	4-5
	Krewetki	10-12	10	3-4	4-5
190°C	Krążki z jabłek	5	--	3-4	--
	Frytki ziemniaczane	600g	550g	3-4	5-6
	Plastry bakłażana	600g	--	3-4	--
	Krokiety ziemniaczane	5	4	4-5	6-7
	Krokiety mięsne/rybne	5	4	4-5	6-7
	Pączki	4-5	--	5-6	--
	Pieczony camembert (w panierce)	2-4	--	2-3	--
	Cordon bleu	2	--	4-5	--
Wiener Schnitzel	2	--	3-4	--	

WYMIANA OLEJU

Upewnij się, że smażarka oraz olej całkowicie ostygły przed przystąpieniem do wymiany oleju. Wymieniaj olej regularnie. Jest to z pewnością wymagane, gdy olej stanie się ciemny lub wydziela inny zapach. W każdym przypadku wymień olej raz na 10 użyc. Wymień od razu cały olej; nie mieszaj starego i nowego oleju. Zużyty olej jest zagrożeniem dla środowiska. Nie wyrzucaj do zwykłego kosza na śmieci; postępuj zgodnie z wytycznymi komunalnymi dot. zbierania odpadów w twoim miejscu zamieszkania.

CZYSZCZENIE I KONSERWACJA

- Czyść smażarkę regularnie wewnątrz i na zewnątrz.
- Czyść zewnętrzną część smażarki wilgotną ścierką i wysusz miękką suchą ścierką.
- Nigdy nie używaj żrących środków czyszczących lub ostrej gąbki.
- Koszyk oraz uchwyt mogą być czyszczone w ciepłej wodzie z płynem do mycia naczyń. Przed ponownym użyciem dobrze wysusz.
- Podczas wymiany oleju możesz także wyczyścić wnętrze smażarki. Opróżnij smażarkę i wyczyść najpierw wnętrze przy pomocy papierowego ręcznika, a następnie przy pomocy ściereki zwilżonej w wodzie z płynem do mycia naczyń. Następnie wytrzyj wilgotną ścierką i pozwól dokładnie wyschnąć.

6. Wszystkie elementy, z wyjątkiem elementów elektrycznych, mogą być czyszczone w ciepłej wodzie z płynem. Przed użyciem dokładnie osusz.
7. Mycie w zmywarce nie jest zalecane.

WSKAZÓWKI

1. Zawsze umieszczaj smażarkę na stabilnej powierzchni i trzymaj łatwopalne materiały z dala.
2. Upewnij się, że smażarka nie znajduje się w pobliżu lub na włączonej gorącej płycie.
3. Przed użyciem smażarki, musi ona być wypełniona wymaganą ilością oleju lub tłuszczu.
4. Nigdy nie używaj smażarki bez oleju lub tłuszczu, ponieważ może to uszkodzić urządzenie.
5. Nigdy nie przenoś smażarki, gdy jest używana. Olej staje się bardzo gorący i może dojść do oparzenia. Poczekaj aż olej ostygnie przed przeniesieniem smażarki.
6. Ta smażarka jest chroniona urządzeniem zabezpieczającym przed przegrzaniem, które wyłącza jednostkę automatycznie, gdy jest przegrzana.
7. Nigdy nie zanurzaj urządzenia w wodzie.
8. Podczas użytkowania nigdy nie zostawiaj smażarki bez nadzoru. Zawsze upewnij się, że dzieci są bezpieczne, gdy znajdują się w pobliżu smażarki.
9. Gdy smażarka lub przewód są uszkodzone, muszą być naprawione przez profesjonalny serwis.
10. Nie próbuj naprawić urządzenia samodzielnie, albo wymieniać uszkodzony przewód. Wymaga to specjalnych narzędzi.
11. Upewnij się, aby nie uszkodzić elementu grzejącego. (Nie zginaj i nie powoduj wgłęć.)
12. Komponent elektryczny wyposażony jest w bezpiecznik, który sprawia, że element grzewczy może funkcjonować tylko wtedy, gdy jest on prawidłowo umieszczony w smażarce.

BEZPIECZEŃSTWO

Odłączenie grzania

W przypadku przegrzania, urządzenie wyłączy smażarkę. Może się tak stać, gdy smażarka nie jest wypełniona wystarczającą ilością oleju lub tłuszcz w postaci stałej jest topiony w smażarce. Gdy stosuje się tłuszcz w stałej postaci, elementy grzewcze nie są w stanie rozprzecznić wystarczająco szybko gorąca. Jeżeli smażarka wyłączy się z powodu przegrzania, postępuj zgodnie z poniższymi instrukcjami:

- Pozwól, aby olej lub tłuszcz ostygł.
- Ostrożnie wciśnij przełącznik resetu z tyłu elementu kontrolującego przy pomocy małego śrubokrętu.

Smażarka jest gotowa do ponownego użycia.

Przełącznik bezpieczeństwa

Przełącznik bezpieczeństwa w elemencie kontrolnym zapewnia, że element grzewczy może być włączony tylko wtedy, gdy element kontrolny zablokuje się na właściwym miejscu.

Dane Techniczne

Napięcie robocze: 220-240V ~ 50Hz

Moc: 3300W

ROZWIĄZYWANIE PROBLEMÓW

Urządzenie nie działa

Rozwiązywanie problemów:

- Sprawdź połączenie z gniazdkiem.
- Sprawdź pozycję termostatu.

Rozwiązywanie problemów:

Sprawdź, czy element kontrolny znajduje się prawidłowo na swoim miejscu.



Inne możliwe przyczyny:

Urządzenie jest wyposażone **przycisk RESET**.

Zapobiega to nieumyślnemu włączeniu grzałki.

Ochrona przed przegrzaniem

- Jeżeli przez pomyłkę włączysz smażarkę, gdy nie ma w niej oleju lub tłuszczu, ochrona przed przegrzaniem zostanie automatycznie uruchomiona. Urządzenie nie może być użyte. Odłącz smażarkę od prądu.
- Tylko po pozostawieniu urządzenia do całkowitego ostygnięcia można użyć przycisku RESET w tylnej części elementu kontrolnego, aby ponownie móc używać smażarki. Do tego celu użyć przedmiotu z końcówką w kształcie punktu.



GWARANCJA I SERWIS KONSUMENCKI

Przed dostarczeniem do klienta nasze urządzenia poddawane są rygorystycznej kontroli jakości. Jeśli, pomimo wszelkich starań, podczas produkcji lub transportu pojawi się uszkodzenie, należy zwrócić urządzenie do sprzedawcy.

Dla każdego zakupionego urządzenia zapewniamy 2 lata gwarancji, poczynając od dnia zakupu. Uszkodzony produkt można zwrócić bezpośrednio w punkcie zakupu.

Niniejsza gwarancja nie obejmuje uszkodzeń spowodowanych niewłaściwą obsługą urządzenia, usterek w wyniku modyfikacji i napraw wykonanych przez strony trzecie lub w wyniku użycia nieoryginalnych części. Należy zachować dowód zakupu, który jest jedyną podstawą złożenia roszczenia gwarancyjnego. Producent nie ponosi odpowiedzialności za uszkodzenia powstałe w wyniku nieprzestrzegania instrukcji obsługi. Powoduje to unieważnienie gwarancji. Producent nie ponosi odpowiedzialności za szkody materiałowe ani obrażenia ciała spowodowane niewłaściwą obsługą urządzenia i nieprzestrzeganiem instrukcji obsługi. Uszkodzenie akcesoriów nie oznacza bezpłatnej wymiany całego urządzenia. W takim wypadku prosimy o kontakt z naszym serwisem. Stłuczone elementy szklane lub pęknięte elementy plastikowe są wymieniane za opłatą. Uszkodzenia materiałów eksploatacyjnych lub części podlegających zużyciu, a także czyszczenie, konserwacja i wymiana wspomnianych części nie jest objęta gwarancją i podlega opłacie.



Symbol przekreślonego kołowego kontenera na odpady oznacza, że tego produktu nie można wyrzucać wraz z innymi odpadami gospodarstwa domowego. Ze względu na obecność niebezpiecznych substancji, mieszanin lub części składowych urządzenia elektryczne i elektroniczne, niepodlegające procesowi selektywnego sortowania są potencjalnie niebezpieczne dla środowiska i zdrowia ludzi. Produkt należy zutylizować w sposób odpowiedzialny w zatwierdzonym zakładzie utylizacji odpadów lub recyklingu.

Emerio B.V.
Oudeweg 115
2031 CC Haarlem
The Netherlands

Customer service:
T: +31 (0) 23 3034369
www.emerio.eu/service

Kundeninformation:
T: +49 (0) 3222 1097 600
www.emerio.eu/service

Klantenservice:
T: +31 (0) 23 3034369
www.emerio.eu/service

Looking for spare parts? Have a look at <https://spareparts.emerio.eu>

Sie brauchen Ersatzteile? Besuchen Sie <https://ersatzteile.emerio.eu>

Onderdelen nodig? Kijk op <https://onderdelen.emerio.eu>



OBSŁUGA KLIENTA



CZĘŚCI ZAMIENNE

INSTRUCCIONES DE SEGURIDAD

Antes de utilizar el producto, lea todas las instrucciones que se presentan a continuación para evitar lesiones personales y daños materiales y para obtener unos resultados óptimos del aparato. Asegúrese de mantener este manual en un lugar seguro. Si transfiere el aparato a otra persona, asegúrese de entregarle asimismo el presente manual.

La garantía quedará anulada en caso de daños causados por el incumplimiento por parte del usuario de las instrucciones incluidas en este manual. El fabricante/importador no aceptará ningún tipo de responsabilidad por daños causados por el incumplimiento de las presentes instrucciones o uso negligente o en desacuerdo con los requisitos de este manual.

1. Este aparato no debe ser usado por niños entre 0 y 8 años de edad. Este aparato puede ser usado por niños de 8 o más años de edad si reciben una supervisión continua. Este aparato puede ser usado por personas con capacidades físicas, sensoriales o mentales reducidas, o falta de experiencia y conocimientos, si reciben supervisión o instrucciones sobre el uso del aparato de forma segura y comprenden los riesgos que implica.
2. Mantenga el aparato y su cable fuera del alcance de niños menores de 8 años de edad.
3. No deberá permitirse que los niños jueguen con el aparato.
4. La limpieza y el mantenimiento por parte del usuario no deben ser realizados por niños.
5. Los aparatos de cocina deben colocarse en posición estable con las asas (si existen) situadas para evitar derramar líquidos calientes.
6. Si el cable de alimentación está dañado, debe ser reemplazado por el fabricante, su agente de servicio o personas similarmente cualificadas para evitar riesgos.
7. Este dispositivo está diseñado para ser utilizado en entornos domésticos y aplicaciones similares, tales como: Zonas de cocina en tiendas, oficinas y otros entornos laborales; Casas rurales; Clientes en hoteles, hostales y otros entornos residenciales; Pensiones y otros alojamientos similares.
8. Respecto a las instrucciones para limpiar las superficies que entren en contacto con alimentos o aceite, consulte el párrafo “limpieza y mantenimiento” del manual.
9. Este aparato no está concebido para su uso con un temporizador externo o un sistema de control remoto independiente.
10. Si se utiliza un cable alargador, deberá ser el adecuado para el consumo eléctrico del aparato, de lo contrario el alargador o el enchufe podrían sobrecalentarse. Peligro potencial de lesión al tropezar con el cable alargador. Tome las precauciones necesarias para evitar situaciones de peligro.
11. Antes de conectar el enchufe a la toma de corriente, compruebe que el voltaje y la frecuencia coinciden con las especificaciones de la etiqueta de características del producto.
12. Desconecte el enchufe de la toma de corriente cuando el aparato no se encuentre en uso y antes de cualquier operación de limpieza.
13. Asegúrese de que el cable no cuelgue sobre aristas vivas y manténgalo alejado de objetos calientes y llamas abiertas.
14. No sumerja el aparato ni el enchufe en agua u otros líquidos. ¡Peligro de muerte por electrocución!
15. Para retirar el enchufe de la toma de corriente, tire del enchufe. No tire del cable de alimentación.
16. No toque el aparato si se cayera al agua. En dicho caso, retire el enchufe de la toma de corriente, apague el aparato y llévelo a un servicio técnico autorizado para su reparación.
17. No enchufe ni desenchufe el aparato de la toma de corriente con las manos mojadas.
18. No intente nunca abrir la carcasa del aparato ni reparar el aparato por su cuenta. Esto podría causar una descarga eléctrica.
19. No deje nunca el aparato en funcionamiento sin vigilancia.
20. Este aparato no está diseñado para uso comercial.
21. No utilice al aparato para un uso distinto del previsto.
22. No enrolle el cable en torno al aparato ni lo curve.
23. Coloque el aparato sobre una superficie estable y nivelada de la que no pueda caerse.
24. Limpie el producto con un paño ligeramente húmedo.
25. No utilice el aparato sin supervisión. Si tuviera que abandonar el lugar de trabajo, apague siempre el aparato o retire el enchufe de la toma de corriente (tire del enchufe y no del cable).
26. No mueva el aparato cuando la grasa esté líquida/caliente.
27. Utilice siempre la canasta freidora para una fritura profunda.
28. Asegúrese siempre de que la olla esté seca y no tenga restos de agua antes de usarla. De lo contrario, el aceite caliente puede salir despedido de la olla y causar quemaduras y lesiones, ya que el aceite y el agua tienen diferentes temperaturas de ebullición.

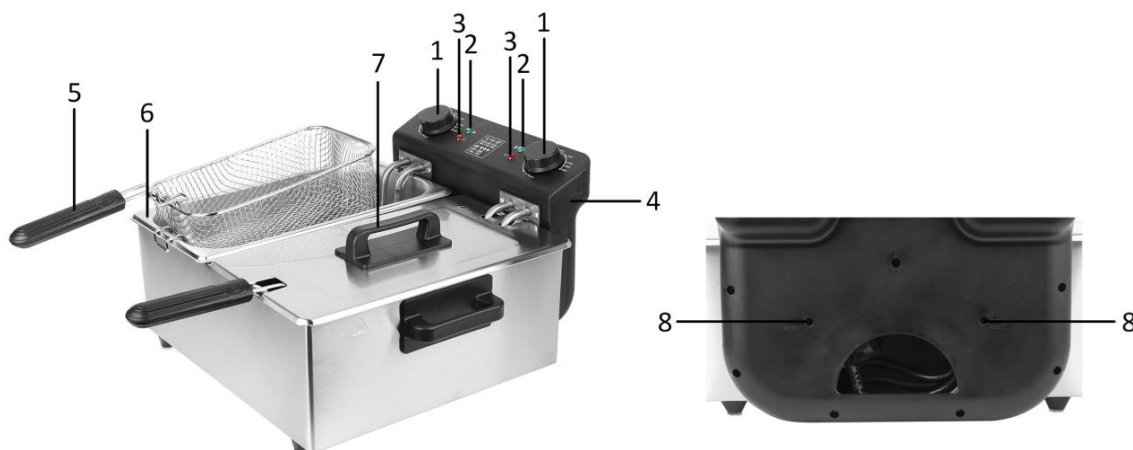
29. Advertencia: No mezcle nunca grasas y aceites, ya que la freidora de grasas profunda podría producir salpicaduras y derrames. Tampoco mezcle nunca diversos tipos de aceite y grasa entre sí.
30. Si la freidora de grasas profunda prendiera fuego, no intente bajo circunstancia alguna extinguir las llamas con agua; en su lugar, coloque la tapa y sofoque las llamas con un trapo húmedo.



31. Precaución, agua caliente.

ADVERTENCIA: No toque la superficie durante el uso. La temperatura de las superficies accesibles podría ser alta durante el funcionamiento del aparato.

DESCRIPCIÓN DE PARTES



1. Mando del termostato
2. Luz indicadora verde de temperatura
3. Luz indicadora roja de encendido
4. Unidad de control desmontable con resistencia eléctrica
5. Mango de la cesta
6. Olla interior desmontable
7. Asa de la tapa
8. Botón de reinicio

ANTES DE LA PRIMERA PUESTA EN MARCHA

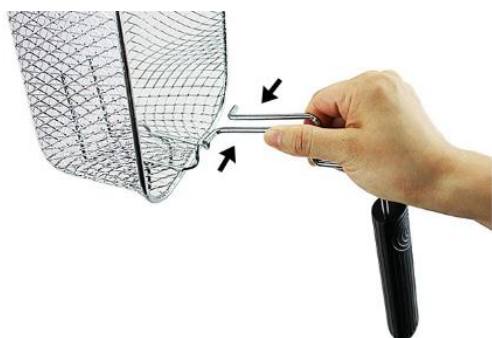
Lea estas instrucciones con atención y guárdelas para posibles referencias. Este aparato eléctrico sólo se debe conectar a una base de enchufe con toma de tierra.

Antes de la primera utilización de la freidora debe eliminar todo el material de embalaje. A continuación, debe lavar con agua tibia los elementos de la freidora y la cubeta interior y secar todo de forma concienzuda antes de la puesta en servicio. Asegúrese sobre todo de que los elementos eléctricos permanezcan secos. La freidora viene equipada con dos cubas desmontables; puede freír diferentes tipos de alimentos al mismo tiempo. Cada elemento calefactor está conectado a un termostato regulable y a indicadores luminosos. El sistema de fritura 'abierto' asegura excelentes resultados profesionales y facilidad de limpieza.

El aparato puede emitir un poco de humo y un olor característico cuando se encienda por primera vez. Es normal y cesará en poco tiempo.

MODO DE EMPLEO DE LA FREIDORA

Para poner el mango en la cesta, presione los extremos juntos e insértelos por los dos enganches de la cesta. Presione el mango contra la parte metálica rectangular de la cesta hasta que quede bien encajada.





1. Nunca encienda la freidora sin aceite o grasa, ya que podría dañarla. Asimismo, evite añadir algún otro líquido como agua u otras sustancias en la olla.
2. Coloque la freidora sobre una superficie seca y estable.
3. Dado que la freidora se calienta cuando está en uso, procure que no esté demasiado cerca de otros objetos.
4. Retire la tapa de la freidora y saque los accesorios. Durante el calentamiento del aparato y durante su uso, abra la tapa del aparato para evitar la condensación.
5. Llene la freidora con la cantidad deseada de aceite o grasa líquida. En este tipo de freidora solo se puede utilizar grasa líquida. Asegúrese de que esté llena por encima de la marca de nivel mínimo y por debajo de la marca de nivel máximo que se indican en el interior del aparato. Nunca mezcle grasas y aceites, ya que podría causar derrames en la freidora. Incluso la mezcla de diferentes tipos de aceites y grasas entre sí es peligrosa.
6. Conecte el enchufe a una toma de corriente apropiada (la luz indicadora roja se ilumina).
7. Ajuste el mando del termostato a la temperatura apropiada para lo que vaya a freír. Consulte el cuadro de temperaturas.
8. La luz de control de la temperatura se ilumina. El aceite alcanzará la temperatura requerida en 20 minutos.
9. Coloque la cesta en la freidora sujetándola del mango.
10. Añada la comida que quiera freír en la cesta. Para un mejor resultado, procura que la comida esté seca. Nunca deben utilizarse alimentos previamente descongelados y recongelados de nuevo. Estos alimentos tienen mucho contenido de agua y salpicarían en exceso.
11. Introduzca la cesta lentamente en el aceite para evitar un burbujeo excesivo.
12. La luz indicadora se apagará cuando se alcance la temperatura seleccionada. Espere siempre hasta que se alcance la temperatura seleccionada. Para mantener el aceite a la temperatura seleccionada, el termostato, al igual que la luz indicadora, se encenderá y apagará repetidamente.
13. Saque la cesta del aceite cuando haya transcurrido el tiempo de cocción.
14. Después de freír, deje escurrir el contenido de la cesta. **No agite nunca la cesta.**
15. Mueva el mando del termostato al nivel más bajo (gire el mando del termostato completamente hacia la izquierda).
16. Retire el enchufe de la toma de corriente.
17. Enjuague el mango y la cesta después de su uso y séquelos bien.
18. Una vez que la freidora se haya enfriado por completo, puede volver a colocar la cesta en el aparato y guardarla. Guarde la freidora, con la tapa cerrada, en un lugar oscuro y seco. De esta forma, puede dejar el aceite y la cesta en la freidora cuando la guarde si así lo desea.

CONSEJOS PRÁCTICOS PARA LA FRITURA

1. Cuando se utilizan dos cestas pequeñas, el máximo de comida es de 700 gramos por cada cesta.
2. Si desea freír alimentos ultracongelados, utilice como máximo el 75 % de las cantidades anteriores.
3. Siempre debe retirar el exceso de hielo de los productos congelados antes de freírlos.
4. Cuando utilice patatas fritas hechas de patatas frescas, debe secarlas después de su lavado para evitar la entrada excesiva de agua en el aceite.

TABLA DE FRITURAS

La tabla que sigue a continuación recoge las cantidades del alimento, así como la temperatura y el tiempo de fritura requeridos. En los casos en los que las indicaciones del embalaje del producto varíen con respecto a los valores indicados en la tabla, es recomendable utilizar los primeros.

Temperatura	Alimento	Máxima capacidad por ciclo		Tiempo de fritura (min)	
		Fresco	Congelado	Fresco o descongelado	Congelado
160°C	Patatas fritas caseras (1 ^{er} ciclo de fritura).	600g	--	9-10	--
	Pescado fresco	500g	--	10-12	--
170°C	Alitas de pollo	10-12	12-13	10-12	12-13
	Croquetas de queso	10	9	9-10	10-12
	Patatas escachadas	--	9	--	9-10
	Verdura (setas, coliflor)	10-12	--	2-3	--
	Patatas fritas caseras (2 ^o ciclo de fritura) máx.175 °C	600g	--	9-10	--
	Chips de patata congelados (máx.175 °C)	--	550g	--	5-6
180°C	Rollos de primavera	7	8	7-8	9-10
	Nuggets de pollo	10	12	3-4	4-5
	Mini Snacks	10-12	10	3-4	4-5
	Albóndigas (pequeñas)	8-10	--	3-4	4-5
	Deditos de pescado	8-10	8	3-4	4-5
	Mejillones	15-20	15	3-4	4-5
	Calamares a la romana	10-12	10	3-4	4-5
	Pescado rebozado	10-12	10	3-4	4-5
	Gambas	10-12	10	3-4	4-5
	Aros de manzana	5	--	3-4	--
190°C	Chips de patata	600g	550g	3-4	5-6
	Berenjenas (rodajas)	600g	--	3-4	--
	Croquetas de patata	5	4	4-5	6-7
	Croquetas (carne/pescado)	5	4	4-5	6-7
	Donuts	4-5	--	5-6	--
	Queso Camembert (empanado)	2-4	--	2-3	--
	Cordon bleu	2	--	4-5	--
	Wiener Schnitzel	2	--	3-4	--

SUSTITUIR EL ACEITE

Antes de sustituir el aceite de la cubeta asegúrese de que éste se haya enfriado por completo. Debe cambiar el aceite regularmente pero necesariamente cuando se haya vuelto oscuro o cambiado de olor. De todos modos, el aceite debe ser cambiado tras cada 10 frituras, cambiando la totalidad de aceite de la cubeta. Nunca debe mezclar aceite usado con aceite nuevo. Tenga en cuenta que el aceite usado es una carga para el medioambiente y no debe ser evacuado con la basura normal. En este aspecto, atégase a las normas municipales en su área en materia de recolección de basuras.

LIMPIEZA Y MANTENIMIENTO

1. Debe limpiar la freidora regularmente, tanto por la parte exterior como por la interior.
2. Limpie la parte exterior de la freidora con un paño húmedo y séquela con un paño suave, limpio y seco.
3. Nunca debe utilizar limpiadores abrasivos o esponjas.
4. El cestillo y el asa se pueden lavar en agua jabonosa limpia y tibia. Asegúrese de secarlos bien antes de su nuevo uso.
5. Aprovechando la sustitución del aceite también podrá limpiar la parte interior de la freidora. Vacíela y luego limpie el interior utilizando en primer lugar papel de cocina y, a continuación, un paño humedecido en agua jabonosa. Finalice la limpieza utilizando un paño húmedo y permita secar por completo.
6. Todas las partes de la freidora con excepción de las partes eléctricas se pueden lavar en agua jabonosa tibia. Secar bien antes del nuevo uso.
7. No se recomienda lavar la freidora u partes de la misma en un lavavajillas.

CONSEJOS PRÁCTICOS

1. Coloque la freidora siempre sobre una superficie estable y lejos de todo tipo de material inflamable.
2. Asegúrese de que la freidora no se coloque encima o en las inmediaciones de una plancha caliente.
3. Antes de poner en marcha la freidora, debe llenarla de la cantidad de aceite o grasa necesaria.
4. Nunca debe utilizar la freidora sin aceite o grasa puesto que podría dañarla.
5. El aceite alcanza temperaturas elevadas que podrían producir quemaduras. Antes de mover la freidora espere siempre hasta que el aceite se haya enfriado.
6. La freidora viene equipada de un termofusible de seguridad que se encarga de desconectarla automáticamente en caso de sobrecalentamiento.
7. Nunca debe sumergir la freidora en agua.
8. Nunca debe dejar la freidora sin vigilancia cuando esté funcionando. Asegure en todo momento la seguridad de los niños en caso de encontrarse éstos cerca de la freidora.
9. En caso de estar dañada la freidora o su cable de alimentación debe ser reparada por un electricista cualificado o el Servicio Técnico del fabricante.
10. No debe intentar reparar usted mismo la freidora o el cable de alimentación en caso de estar dañados, ya que este trabajo requiere herramientas especiales.
11. Asegúrese de no dañar el elemento calefactor (no doblarlo o abollarlo).
12. La parte eléctrica de la freidora está equipada con un sistema de corte que asegura que el elemento calefactor sólo puede funcionar si se encuentra correctamente instalado en la freidora.

SISTEMA DE SEGURIDAD

Termofusible de seguridad.

En el hipotético caso de un sobrecalentamiento el termofusible incorporado se encargará de desconectar la freidora automáticamente. Esto puede ocurrir si la freidora funciona sin aceite o si en el interior de la misma se intenta fundir grasa sólida. En este caso el elemento calefactor está impedido para irradiar el calor con la suficiente velocidad. Proceda de la siguiente manera en el caso de que el termofusible de seguridad hubiera desconectado la freidora:

- Deje que el aceite o la grasa se enfríe.
- Con el uso de un pequeño destornillador, pulse el botón de Reset situado en la parte trasera del elemento de mando.

En este momento la freidora se encuentra de nuevo lista para su funcionamiento.

Interruptor de seguridad.

El interruptor de seguridad situado en el elemento de mando asegura que el elemento calefactor sólo pueda ser encendido cuando el elemento de mando se bloquea en su lugar.

DATOS TÉCNICOS

Tensión de servicio: 220-240V~ 50Hz

Potencia: 3300W

RESOLUCIÓN DE PROBLEMAS

La freidora no funciona

Resolución de problemas:

- Compruebe la conexión a la toma de corriente.
- Compruebe la posición del termostato.

Resolución de problemas:

Compruebe si el elemento de control está bien colocado.

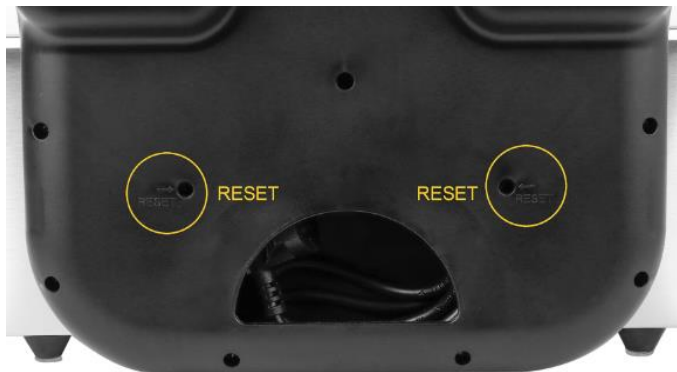


Otras posibles causas:

La freidora incorpora un **REINICIAR**-botón que evita que se ponga en funcionamiento accidentalmente.

Protección contra el sobrecalentamiento

- El sistema de protección contra el sobrecalentamiento se activa automáticamente al encender accidentalmente la freidora sin aceite en su interior, dejando el aparato fuera de uso. Si esto sucediera, desenchufe la freidora inmediatamente.
- Espere a que la freidora se haya enfriado por completo y pulse el botón REINICIAR situado en la parte trasera del elemento de control con un objeto puntiagudo para ponerla de nuevo en funcionamiento.



GARANTIA Y SERVICIO POSVENTA

Antes del suministro, nuestros aparatos se someten a un rigurosos control de calidad. Si a pesar de todos los cuidados surgieran desperfectos durante la producción o el transporte, le rogamos devuelva el aparato a su vendedor.

Para el aparato adquirido otorgamos 2 años de garantía partiendo de la fecha de venta. Si el producto está defectuoso, puede dirigirse directamente al lugar en el que lo compró.

Todos los defectos producidos por el uso indebido del aparato, y las averías debidas a intervenciones y reparaciones por parte de terceros, o el montaje de piezas de repuestos no originales, no están cubiertos por esta garantía. Guarde siempre la factura, sin ella no podrá reclamar ningún tipo de garantía. Nos no será responsable de daños materiales o lesiones personales causadas de un mal uso del aparato o si las instrucciones de seguridad no han sido seguidas correctamente. Nos declina cualquier responsabilidad por daños derivados de no seguir las instrucciones de uso correctamente. Daños en el acceso teorías no significa libre de sustitución automática del aparato completo. En dichos, consulte el servicio al cliente. Los vidrios rotos o rotura de piezas de plástico están siempre sujetas a pago. Los defectos de los consumibles o piezas susceptibles a desgaste, así como la limpieza, mantenimiento o la sustitución de dichas piezas no están cubiertas por la garantía y por lo tanto, se deben pagar.



El símbolo del contenedor de basura tachado significa que este producto no debe eliminarse con los residuos domésticos normales. Los aparatos electrónicos y eléctricos no incluidos en el proceso de clasificación selectiva son potencialmente peligrosos para el medio ambiente y la salud humana debido a la presencia de sustancias peligrosas. Por favor, deséchelos de forma responsable en una instalación de residuos o de reciclaje autorizada.

Emerio B.V.
Oudeweg 115
2031 CC Haarlem
The Netherlands

Customer service:
T: +31 (0) 23 3034369
www.emerio.eu/service

Kundeninformation:
T: +49 (0) 3222 1097 600
www.emerio.eu/service

Klantenservice:
T: +31 (0) 23 3034369
www.emerio.eu/service

Looking for spare parts? Have a look at <https://spareparts.emerio.eu>

Sie brauchen Ersatzteile? Besuchen Sie <https://ersatzteile.emerio.eu>

Onderdelen nodig? Kijk op <https://onderdelen.emerio.eu>



SERVICIO DE
ATENCIÓN AL CLIENTE



PIEZAS DE RECAMBIO