

emerio®

DH-129238



Dehumidifier (EN)

Luftentfeuchter (DE)

Déshumidificateur (FR)

Avfuktare (SE)

Ontvochtiger (NL)

Osuszacz powietrza (PL)

Deshumificador (ES)



Content – Inhalt – Teneur – Innehåll – Inhoud – Treść – Contenido

Instruction manual – English - 2 -

Bedienungsanleitung – German - 20 -

Mode d'emploi – French - 40 -

Bruksanvisning – Swedish - 60 -

Gebruiksaanwijzing – Dutch - 78 -

Instrukcja obsługi – Polish - 98 -

Manual de Instrucciones – Spanish - 118 -

SAFETY INSTRUCTIONS

Before use make sure to read all of the below instructions in order to avoid injury or damage, and to get the best results from the appliance. Make sure to keep this manual in a safe place. If you give or transfer this appliance to someone else make sure to also include this manual.

In case of damage caused by user failing to follow the instructions in this manual the warranty will be void. The manufacturer/importer accepts no liability for damages caused by failure to follow the manual, a negligent use or use not in accordance with the requirements of this manual.

1. Read and save these instructions. Attention: pictures in the instructions are for reference only.
2. This appliance can be used by children aged from 8 years and above and persons with reduced physical, sensory or mental capabilities or lack of experience and knowledge if they have been given supervision or instruction concerning use of the appliance in a safe way and understand the hazards involved.
3. Children shall not play with the appliance.
4. Cleaning and user maintenance shall not be made by children without supervision.
5. If the supply cord is damaged, it must be replaced by the manufacturer, its service agent or similarly qualified persons in order to avoid a hazard.
6. Before inserting the plug into the mains socket, please check that the voltage and frequency comply with the specifications on the rating label.
7. If an extension cord is used it must be suited to the power consumption of the appliance, otherwise overheating of the extension cord and/or plug may occur. There is a potential risk of injuries from tripping over the extension cord. Be careful to avoid dangerous situations.
8. Disconnect the mains plug from the socket when the appliance is not in use and before cleaning.

9. Ensure that the mains cable is not hung over sharp edges and keep it away from hot objects and open flames.
10. Do not immerse the appliance or the mains plug in water or other liquids. There is danger to life due to electric shock!
11. To remove the plug from the plug socket, pull the plug. Do not pull the power cord.
12. Do not plug or unplug the appliance from the electrical outlet with a wet hand.
13. Never attempt to open the housing of the appliance, or to repair the appliance yourself. This could cause electric shock.
14. This appliance is not designed for commercial use. Indoor use only.
15. Do not use the appliance for other than intended use.
16. Do not wind the cord around the appliance and do not bend it.
17. Do not use the unit in an area: near to source of fire; where oil is likely to splash; exposed to direct sunlight; where water is likely to splash; near a bath, a laundry, a shower or a swimming pool.
18. Never insert your fingers, rods into the air outlet. Take special care to warn children of these dangers.
19. Keep the unit upward while transport and storage, for the compressor locates properly.
20. Before cleaning or moving the appliance, always turn off and disconnect the power supply.
21. To avoid the possibility of fire disaster, the appliance shall not be covered.
22. The appliance shall be installed in accordance with national wiring regulations.
23. Contact authorized service technician for repair or maintenance of this unit.
24. Do not pull, deform or modify the power supply cord, or immerse it in water. Pulling or misuse of the power supply cord can result in damage to the unit and cause electrical shock.

25. Compliance with national gas regulations shall be observed.
26. Servicing shall only be performed as recommended by the equipment manufacturer. Maintenance and repair requiring the assistance of other skilled personnel shall be carried out under the supervision of the person competent in the use of flammable refrigerants.
27. Do not operate or stop the unit by inserting or pulling out power plug, it may cause electric shock or fire due to heat generation.
28. Unplug the unit if strange sounds, smell, or smoke comes from it.
29. Always plug the appliance into an earthed plug socket.
30. Do not use means to accelerate the defrosting process or to clean, other than those recommended by the manufacturer.
31. The appliance shall be stored in a room without continuously operating ignition sources (for example: open flames, an operating gas appliance or an operating electric heater.)
32. Do not pierce or burn.
33. Be aware that refrigerants may not contain an odour.
34. If the appliance is installed, operated or stored in an unventilated area, the room must be designed to prevent to the accumulation of refrigerant leaks resulting in a risk of fire or explosion due to ignition of the refrigerant caused by electric heaters, stoves, or other sources of ignition.
35. The appliance must be stored in such a way as to prevent mechanical failure.
36. This appliance contains R290 refrigerant gas. R290 is a refrigerant gas that complies with the European directives on the environment. Do not puncture any part of the refrigerant circuit.
37. Individuals who operate or work on the refrigerant circuit must have the appropriate certification issued by an accredited organization that ensures competence in handling refrigerants according to a specific evaluation recognized by associations in the industry.

38. Regarding the instructions for repairing appliances containing R290, please kindly refer to below paragraphs.
39. To avoid any damage, place the appliance in an upright position for at least 2 hours before initiation.



Warning: Risk of fire / Flammable materials.



Read instruction manuals.



Operator's manual; operating instructions.



Service indicator; read technical manual.

Warning: Keep ventilation openings clear of obstruction.

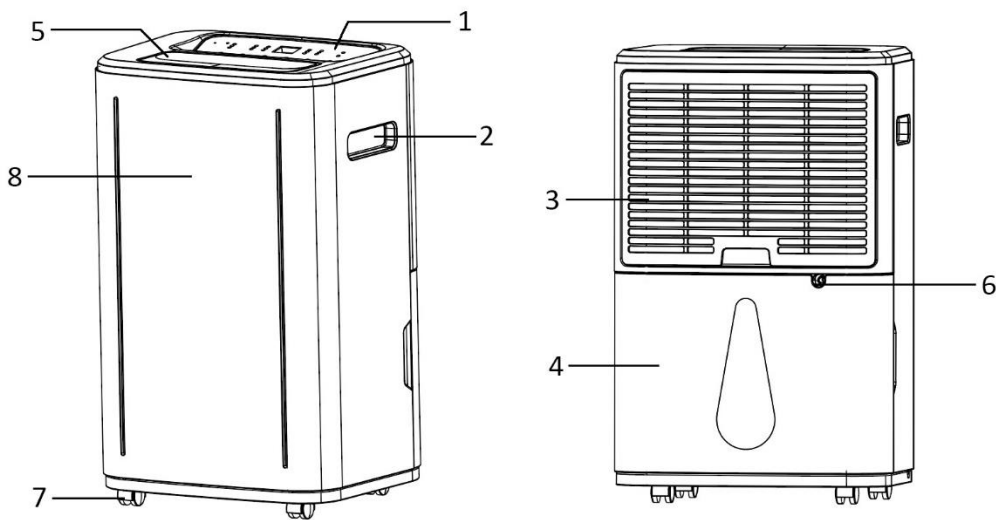
Warning: The appliance shall be stored in a well-ventilated area where the room size corresponds to the room area as specified for operation.

All working procedure that affects safety means shall only be carried out by competent persons.

The required distance around the unit should be at least 30cm.

Appliance shall be installed, operated and stored in a room with a floor area larger than 4 m².

PARTS DESCRIPTION



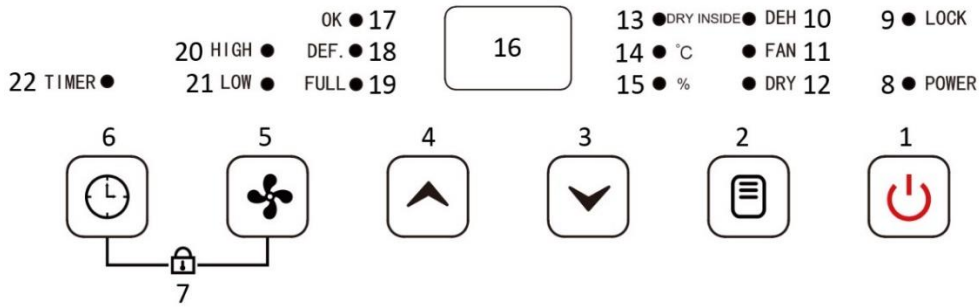
1. Control panel
2. Handle
3. Air inlet and filter
4. Water tank
5. Air outlet (with a cover)
6. Continuous drainage outlet
7. Wheels
8. Indication display

Important! The power cord is stored in the water tank to avoid damage during transport. Please follow the steps below to release the power cord before use.

- 1) Draw out the water tank a little to pull out some of the power cord.
- 2) Now completely draw out the water tank.
- 3) Open the tank cover at the right side to take the power cord out of the water tank.
- 4) Put the water tank back in its place.



CONTROL PANEL



1. On/standby button
2. Mode button
3. Decreasing setting button
4. Increasing setting button
5. Fan speed button
6. Timer button
7. Child lock buttons indication
8. Power indicator light
9. Child lock indicator light
10. Dehumidification mode indicator light
11. Fan mode indicator light
12. Clothes drying mode indicator light
13. Dry inside function indicator light
14. Temperature display indicator light
15. Humidity display indicator light
16. Digital display
17. Target humidity reached indicator light
18. Defrosting function indicator light
19. Water tank full indicator light (It also lights up when the water tank is not properly placed.)
20. High fan speed indicator light
21. Low fan speed indicator light
22. Timer indicator light

BEFORE FIRST USE

- To avoid any damage, place the appliance in an upright position for at least 2 hours before initiation.
- After removing the packaging, make sure that the appliance is in good condition.
- Do not allow children to play with the packaging materials as there is risk of suffocation.

The appliance shall be installed on a flat surface where the air inlet/outlet would not be blocked. The required distance around the unit should be at least 30cm. To save energy, keep windows and door closed when the appliance is running.

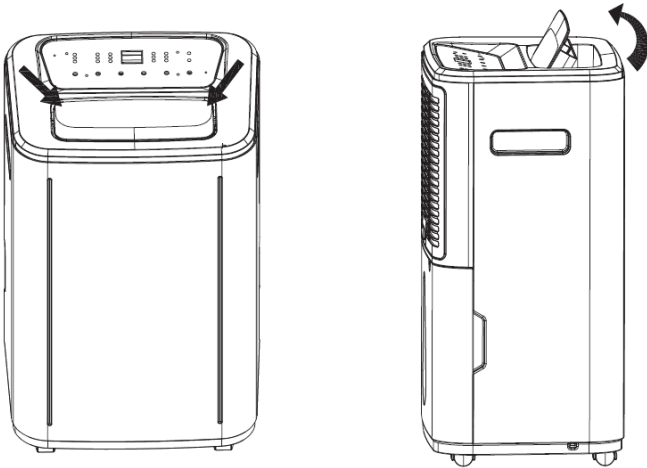
Note: If the dehumidifier gets interference from the household appliances, such as television and radio cassette player, please keep the equipment away from the dehumidifier for over 70cm.

USE

Plug in the appliance. A “beep” sound will be heard. The appliance is on standby mode. The power indicator light is on.

On/standby button

Press the on/standby button to turn on the appliance. Open the air outlet cover manually. The power indicator light will illuminate still. Press the button again, the appliance will enter into standby.



Mode button

Press the mode button to select your desired mode: dehumidification mode, fan mode or clothes drying mode.

1. Dehumidification mode: the indicator light of "DEH" illuminates. The fan speed can be switched between low and high. The humidity can be set between 35-85%RH or set to "CO" (Continuous). Press the button " \blacktriangle " / " \blacktriangledown " to adjust the setting. The digital display shows the set humidity.

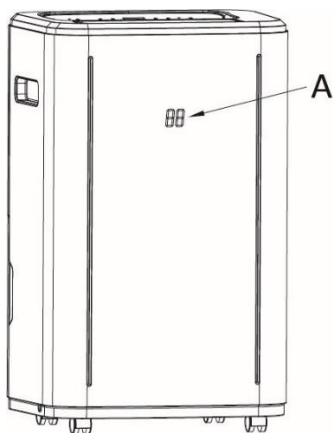
1) When the room humidity > set humidity + 3%, the compressor starts working and the fan keeps running at the set speed.

When the room humidity < set humidity - 3%, the compressor stops working and the fan automatically turns to low speed.

When the set humidity - 3% \leq room humidity \leq set humidity + 3%, the compressor keeps working and the fan keeps running at the set speed.

2) When the room humidity does not reach the set humidity, the indicator light of "OK" on the control panel is off. When the room humidity reaches the set humidity, the indicator light of "OK" will be on.

3) The indication display (A) on the front of the appliance will show 3 colors according to the room humidity. It shows red when the room humidity is higher than 65%RH, green when the room humidity is between 45%RH and 65%RH, and blue when the room humidity is below 45%RH.



4) When the set humidity is "CO", the compressor runs continuously without the limitation of the set humidity, and the fan speed is adjustable. The digital display shows "CO".

2. Fan mode: the indicator light of "FAN" illuminates. The compressor does not work; the fan speed can be switched between low and high. The humidity cannot be set and the room humidity (30~90%RH) is shown on the digital display.

3. Clothes drying mode: the indicator light of "DRY" illuminates. The compressor keeps running continuously. The fan speed cannot be adjusted and the unit works at high fan speed by default. The humidity cannot be set and the room humidity (30~90%RH) is shown on the digital display.

Note: To turn off the appliance under the dehumidification mode or clothes drying mode, the fan motor will be turned off after a delay of 1 minute.

Increasing/decreasing setting buttons

1. Press the button "▲" to increase the setting of humidity or timer. Press the button "▼" to decrease the setting of humidity or timer.
2. When the room humidity > 65%RH, users can press and hold the button "▼" for 3 seconds to turn on the mold removal function (dry inside function). The indicator light of "DRY INSIDE" will be on. This function is only available for dehumidification mode and clothes drying mode. Press and hold this button for 3 seconds again to turn off the function.

Note: If this function has been selected and the appliance is turned off later, the fan motor will be turned off after a delay of 5 minutes.

3. Press the buttons "▲" and "▼" at the same time to check the room temperature on the digital display. The display will last for approx. 10 seconds.

Fan speed button

1. Press the fan speed button to select low or high fan speed. The corresponding indicator light will illuminate.
2. Press and hold the fan speed button for three seconds to turn off or turn on the indication display. When the indication display is turned off, the control panel will dim in 5 seconds if no further operations.

Timer button

Timer ON setting:

- When the appliance is standby, press the button "TIMER", the corresponding indicator light of "TIMER" will illuminate.
- Press the button "▲"/"▼" to select a desired ON time from 0-24 hours. The value will flash on the digital display and the setting will be in effect in approx. 5 seconds.
- The appliance will automatically turn on once the set time has passed.

Timer OFF setting:

- When the appliance is working, press the button "TIMER", the corresponding indicator light of "TIMER" will illuminate.
- Press the button "▲"/"▼" to select a desired OFF time from 0-24 hours. The value will flash on the digital display and the setting will be in effect in approx. 5 seconds. The digital display will turn back to show the humidity.
- The appliance will automatically turn off once the set time has passed.

Note: Press the button "TIMER" again to check the remaining time. Continue to press the button "TIMER", the timer function will be cancelled.

Child lock function

Press the timer button and the fan speed button at the same time to turn on the child lock function. The indicator light of "LOCK" will illuminate and all buttons on the control panel will be invalid. Press the timer button and the fan speed button at the same time again to turn off the child lock function.

Defrosting function

The appliance will enter the defrosting function automatically. The indicator light of "DEF." will be on and the compressor will stop working. Once the defrosting is finished, the indicator light of "DEF." will be off and the compressor will resume working.

Notice:

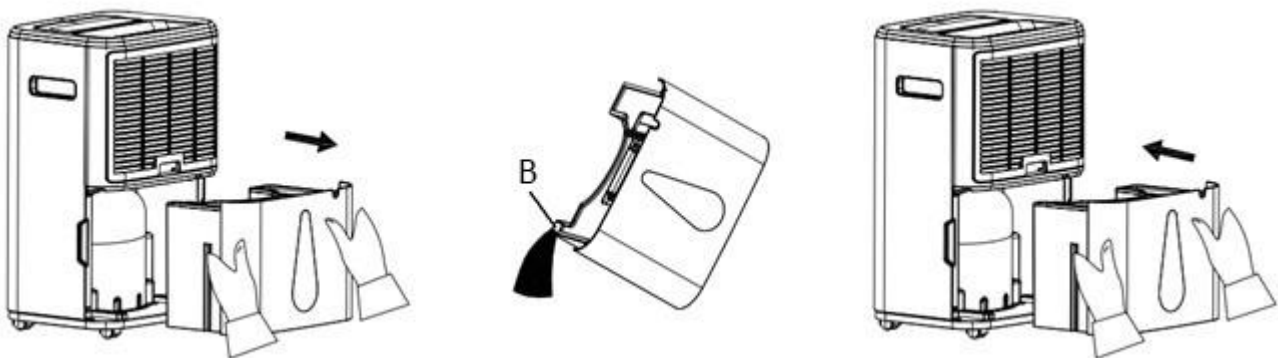
1. The room humidity display range is 30~90%RH (room humidity \leq 30%, display 30%; room humidity \geq 90%, display 90%). The working environment temperature of this appliance is 5~32 °C , and the working environment humidity is 10~95%RH.
2. The compressor has a three-minute delay protection function. When the compressor is working and the power is cut off accidentally, the compressor will not restart immediately after turned on again. It will start to work in 3 minutes.

DRAIN THE COLLECTED WATER

When the water tank is full, the water tank full indicator light will illuminate. The digital display will flash “FL”. The operation will stop automatically and the buzzer will beep 5 times to alert the user that the water needs to be emptied from the water tank.

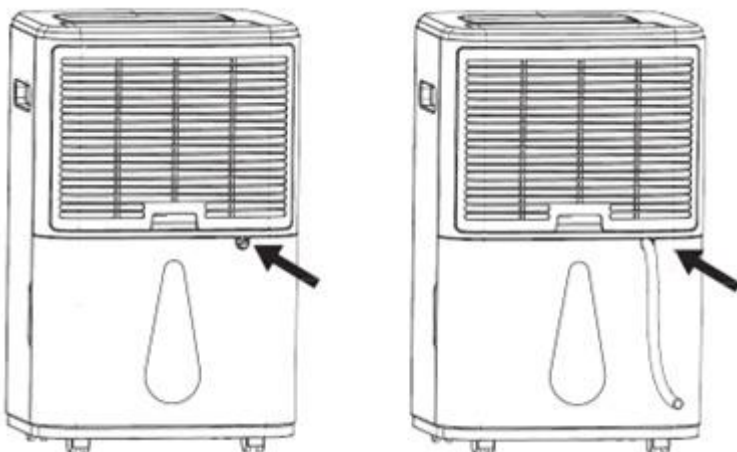
Empty the water tank

1. Draw out the water tank gently by holding the concave part at the both sides.
2. Discard the collected water, through the drain hole (B).
3. Install the water tank back by pushing it horizontally and gently. The handle of the water tank cover should lie down.



Continuous water drainage

Plug the provided plastic pipe to the continuous drainage outlet, and the condensed water will be continuously drained out through this outlet instead of collection in the water tank. Make sure the pipe is installed at a downhill way to let the water continuously flow out.



CLEANING AND MAINTENANCE

The appliance must be regularly cleaned to prolong its life and keep it function properly.

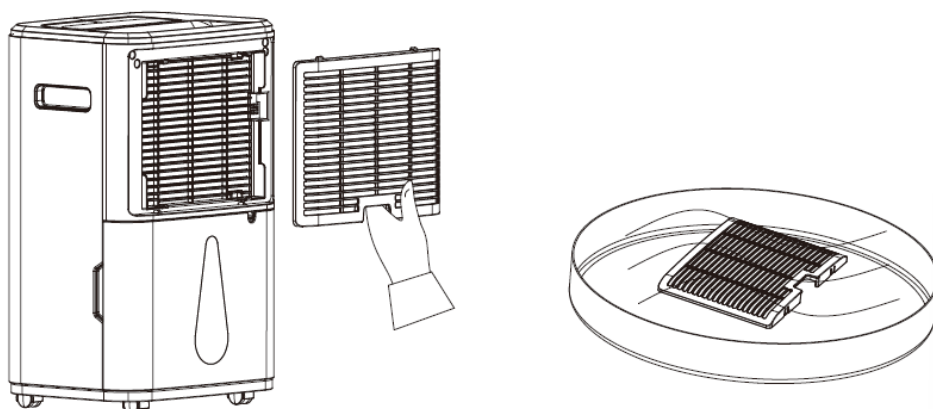
Warning: Before performing any cleaning, turn off the unit and unplug it to avoid electrical shocks. Do not use hot water or chemical solvents for cleaning.

1. Regularly, clean the water tank with cold or warm water and dry with a soft cloth to avoid any mildew.
2. Clean the surface of the appliance using a moist cloth. Do not use detergents or abrasive sponges that can cause damage to the plastic surface.
3. Clean the filter as described in the following section.
4. When the unit will not be used for a long time:
 - 1) Empty and dry the water tank, and then install it back.
 - 2) Clean the filter.
 - 3) Place the appliance upright and avoid the direct sunlight.

Filter

There is a filter set at the back of the appliance that must be removed and cleaned regularly. The dehumidifying capacity may reduce when the filter set is clogged.

- Pull out the filter from the bottom to take it off the appliance and place it in the clean water.
- It is recommended to wash at least once every two weeks of continuous use.
- If the filter is not dirty, just vacuum the dust off it.
- If the filter is dirty, simply wash with cold water or warm water not exceeding 40 degrees; do not use chemical solvents or hot water.
- Dry the filter well before assembly.



Notice:

In order to prevent the filter from being deformed, it needs to be air-dried naturally after cleaning. Never use a dryer or heater of any kind. Do not use alcohol, gasoline, benzene or other chemical solvents to clean the filter.

TROUBLE SHOOTING

Status	Possible reason	Solutions
Hot air	The air of the dehumidifier passes through the inside temperature recovery unit, so the hot air is discharged (no cooling function)	This is not a malfunction.
Dehumidifier is not working	Is the power plug unplugged?	Insert the power plug into the socket.
	Is the water tank full? Or is the water tank placed in the wrong position?	Drain the standing water in the tank and put the tank back in the correct position.

Dehumidification function does not work	Is the temperature or humidity in the room too low?	During the dry season, the dehumidifying capacity of the dehumidifier will be reduced.
	Are the air outlets or air inlets blocked?	Clean up any items that block the air outlet or air inlet.
No wind	Is the air filter blocked?	Clean the air filter.
Too much noise when the machine is running	Is it improperly placed so that the machine is tilted or unstable?	Please prevent the machine from being used on unstable ground.
	Is the air filter blocked?	Clean the air filter.

TECHNICAL DATA

Dehumidify Capacity(30 °C , 80%RH)	30 L/day
Dehumidify Capacity(27 °C , 60%RH)	16 L/day
Rated Voltage	AC 220-240 V
Rated Frequency	50 Hz
Rated power input	420 W
Rated Current	1.9 A
Refrigerant	R290 / 74 g

GUARANTEE AND CUSTOMER SERVICE

Before delivery our devices are subjected to rigorous quality control. If, despite all care, damage has occurred during production or transportation, please return the device to your dealer. In addition to statutory legal rights, the purchaser has an option to claim under the terms of the following guarantee:

For the purchased device we provide 2 years guarantee, commencing from the day of sale. If you have a defective product, you can directly go back to the point of purchase.

Defects which arise due to improper handling of the device and malfunctions due to interventions and repairs by third parties or the fitting of non-original parts are not covered by this guarantee. Always keep your receipt, without the receipt you can't claim any form of warranty. Damage caused by not following the instruction manual, will lead to a void of warranty, if this results in consequential damages then we will not be liable. Neither can we hold responsible for material damage or personal injury caused by improper use or if the instruction manual are not properly executed. Damage to accessories does not mean free replacement of the whole appliance. In such case please contact our service department. Broken glass or breakage of plastic parts is always subject to a charge. Defects to consumables or parts subjected to wearing, as well as cleaning, maintenance or the replacement of said parts are not covered by the warranty and are to be paid.

ENVIRONMENT FRIENDLY DISPOSAL



Recycling – European Directive 2012/19/EU

This marking indicates that this product should not be disposed with other household wastes. To prevent possible harm to the environment or human health from uncontrolled waste disposal, recycle it responsibly to promote the sustainable reuse of material resources. To return your used device, please use the return and collection systems or contact the retailer where the product was purchased. They can take this product for environmental safe recycling.

Emerio B.V.
Oudeweg 115
2031 CC Haarlem
The Netherlands

Customer service:
T: +31 (0) 23 3034369
www.emerio.eu/service

Kundeninformation:
T: +49 (0) 3222 1097 600
www.emerio.eu/service

Klantenservice:
T: +31 (0) 23 3034369
www.emerio.eu/service

Looking for spare parts? Have a look at www.spareparts.emerio.eu
Sie brauchen Ersatzteile? Besuchen Sie www.ersatzteile.emerio.eu
Onderdelen nodig? Kijk op www.onderdelen.emerio.eu

INSTRUCTIONS FOR REPAIRING APPLIANCES CONTAINING R290

1. Servicing

1) Checks to the area

Prior to beginning work on systems containing flammable refrigerants, safety checks are necessary to ensure that the risk of ignition is minimised. For repair to the refrigerating system, the following precautions shall be complied with prior to conducting work on the system.

2) Work procedure

Work shall be undertaken under a controlled procedure so as to minimise the risk of a flammable gas or vapour being present while the work is being performed.

3) General work area

All maintenance staff and others working in the local area shall be instructed on the nature of work being carried out. Work in confined spaces shall be avoided. The area around the workspace shall be sectioned off. Ensure that the conditions within the area have been made safe by control of flammable material.

4) Checking for presence of refrigerant

The area shall be checked with an appropriate refrigerant detector prior to and during work, to ensure the technician is aware of potentially flammable atmospheres. Ensure that the leak detection equipment being used is suitable for use with flammable refrigerants, i.e. non-sparking, adequately sealed or intrinsically safe.

5) Presence of fire extinguisher

If any hot work is to be conducted on the refrigeration equipment or any associated parts, appropriate fire extinguishing equipment shall be available to hand. Have a dry powder or CO₂ fire extinguisher adjacent to the charging area.

6) No ignition sources

No person carrying out work in relation to a refrigeration system which involves exposing any pipe work that contains or has contained flammable refrigerant shall use any sources of ignition in such a manner that it may lead to the risk of fire or explosion. All possible ignition sources, including cigarette smoking, should be kept sufficiently far away from the site of installation, repairing, removing and disposal, during which flammable refrigerant can possibly be released to the surrounding space. Prior to work taking place, the area around the equipment is to be surveyed to make sure that there are no flammable hazards or ignition risks. "No Smoking" signs shall be displayed.

7) Ventilated area

Ensure that the area is in the open or that it is adequately ventilated before breaking into the system or conducting any hot work. A degree of ventilation shall continue during the period that the work is carried out. The ventilation should safely disperse any released refrigerant and preferably expel it externally into the atmosphere.

8) Checks to the refrigeration equipment

Where electrical components are being changed, they shall be fit for the purpose and to the correct specification. At all times the manufacturer's maintenance and service guidelines shall be followed. If in doubt consult the manufacturer's technical department for assistance.

The following checks shall be applied to installations using flammable refrigerants:

- The charge size is in accordance with the room size within which the refrigerant containing parts are installed;
- The ventilation machinery and outlets are operating adequately and are not obstructed;
- If an indirect refrigerating circuit is being used, the secondary circuit shall be checked for the presence of refrigerant;
- Marking to the equipment continues to be visible and legible. Markings and signs that are illegible shall be corrected;
- Refrigeration pipe or components are installed in a position where they are unlikely to be exposed to any substance which may corrode refrigerant containing components, unless the components are constructed of materials which are inherently resistant to being corroded or are suitably protected against being so corroded.

9) Checks to electrical devices

Repair and maintenance to electrical components shall include initial safety checks and component inspection procedures. If a fault exists that could compromise safety, then no electrical supply shall be connected to the circuit until it is satisfactorily dealt with. If the fault cannot be corrected immediately but it is necessary to continue operation, an adequate temporary solution shall be used. This shall be reported to the owner of the equipment so all parties are advised. Initial safety checks shall include:

- That capacitors are discharged: this shall be done in a safe manner to avoid possibility of sparking;
- That there no live electrical components and wiring are exposed while charging, recovering or purging the system;
- That there is continuity of earth bonding.

2. Repairs to sealed components

1) During repairs to sealed components, all electrical supplies shall be disconnected from the equipment being worked upon prior to any removal of sealed covers, etc. If it is absolutely necessary to have an electrical supply to equipment during servicing, then a permanently operating form of leak detection shall be located at the most critical point to warn of a potentially hazardous situation.

2) Particular attention shall be paid to the following to ensure that by working on electrical components, the casing is not altered in such a way that the level of protection is affected. This shall include damage to cables, excessive number of connections, terminals not made to original specification, damage to seals, incorrect fitting of glands, etc.

Ensure that apparatus is mounted securely. Ensure that seals or sealing materials have not degraded such that they no longer serve the purpose of preventing the ingress of flammable atmospheres. Replacement parts shall be in accordance with the manufacturer's specifications.

NOTE: The use of silicon sealant may inhibit the effectiveness of some types of leak detection equipment. Intrinsically safe components do not have to be isolated prior to working on them.

3. Repair to intrinsically safe components

Do not apply any permanent inductive or capacitance loads to the circuit without ensuring that this will not exceed the permissible voltage and current permitted for the equipment in use. Intrinsically safe components are the only types that can be worked on while live in the presence of a flammable atmosphere. The test apparatus shall be at the correct rating. Replace components only with parts specified by the manufacturer. Other parts may result in the ignition of refrigerant in the atmosphere from a leak.

4. Cabling

Check that cabling will not be subject to wear, corrosion, excessive pressure, vibration, sharp edges or any other adverse environmental effects. The check shall also take into account the effects of aging or continual vibration from sources such as compressors or fans.

5. Detection of flammable refrigerants

Under no circumstances shall potential sources of ignition be used in the searching for or detection of refrigerant leaks. A halide torch (or any other detector using a naked flame) shall not be used.

6. Leak detection methods

The following leak detection methods are deemed acceptable for systems containing flammable refrigerants. Electronic leak detectors shall be used to detect flammable refrigerants, but the sensitivity may not be adequate, or may need re-calibration. (Detection equipment shall be calibrated in a refrigerant-free area.) Ensure that the detector is not a potential source of ignition and is suitable for the refrigerant used. Leak detection equipment shall be set at a percentage of the LFL of the refrigerant and shall be calibrated to the refrigerant employed and

the appropriate percentage of gas (25 % maximum) is confirmed. Leak detection fluids are suitable for use with most refrigerants but the use of detergents containing chlorine shall be avoided as the chlorine may react with the refrigerant and corrode the copper pipe-work. If a leak is suspected, all naked flames shall be removed/ extinguished. If a leakage of refrigerant is found which requires brazing, all of the refrigerant shall be recovered from the system, or isolated (by means of shut off valves) in a part of the system remote from the leak. Oxygen free nitrogen (OFN) shall then be purged through the system both before and during the brazing process.

7. Removal and evacuation

When breaking into the refrigerant circuit to make repairs – or for any other purpose – conventional procedures shall be used. However, it is important that best practice is followed since flammability is a consideration. The following procedure shall be adhered to:

- Remove refrigerant;
- Purge the circuit with inert gas;
- Evacuate;
- Purge again with inert gas;
- Open the circuit by cutting or brazing.

The refrigerant charge shall be recovered into the correct recovery cylinders. The system shall be “flushed” with OFN to render the unit safe. This process may need to be repeated several times. Compressed air or oxygen shall not be used for this task. Flushing shall be achieved by breaking the vacuum in the system with OFN and continuing to fill until the working pressure is achieved, then venting to atmosphere, and finally pulling down to a vacuum. This process shall be repeated until no refrigerant is within the system. When the final OFN charge is used, the system shall be vented down to atmospheric pressure to enable work to take place. This operation is absolutely vital if brazing operations on the pipe-work are to take place. Ensure that the outlet for the vacuum pump is not close to any ignition sources and there is ventilation available.

8. Charging procedures

In addition to conventional charging procedures, the following requirements shall be followed.

- Ensure that contamination of different refrigerants does not occur when using charging equipment. Hoses or lines shall be as short as possible to minimise the amount of refrigerant contained in them.
- Cylinders shall be kept upright.
- Ensure that the refrigeration system is earthed prior to charging the system with refrigerant.
- Label the system when charging is complete (if not already).
- Extreme care shall be taken not to overfill the refrigeration system.

Prior to recharging the system it shall be pressure tested with OFN. The system shall be leak tested on completion of charging but prior to commissioning. A follow up leak test shall be carried out prior to leaving the site.

9. Decommissioning

Before carrying out this procedure, it is essential that the technician is completely familiar with the equipment and all its detail. It is recommended good practice that all refrigerants are recovered safely. Prior to the task being carried out, an oil and refrigerant sample shall be taken in case analysis is required prior to re-use of reclaimed refrigerant. It is essential that electrical power is available before the task is commenced.

- a) Become familiar with the equipment and its operation.
- b) Isolate system electrically.
- c) Before attempting the procedure ensure that:
 - Mechanical handling equipment is available, if required for handling refrigerant cylinders;
 - All personal protective equipment is available and being used correctly;
 - The recovery process is supervised at all times by a competent person;
 - Recovery equipment and cylinders conform to the appropriate standards.

- d) Pump down refrigerant system, if possible.
- e) If a vacuum is not possible, make a manifold so that refrigerant can be removed from various parts of the system.
- f) Make sure that cylinder is situated on the scales before recovery takes place.
- g) Start the recovery machine and operate in accordance with manufacturer's instructions.
- h) Do not overfill cylinders. (No more than 80 % volume liquid charge).
- i) Do not exceed the maximum working pressure of the cylinder, even temporarily.
- j) When the cylinders have been filled correctly and the process completed, make sure that the cylinders and the equipment are removed from site promptly and all isolation valves on the equipment are closed off.
- k) Recovered refrigerant shall not be charged into another refrigeration system unless it has been cleaned and checked.

10. Labelling

Equipment shall be labelled stating that it has been de-commissioned and emptied of refrigerant. The label shall be dated and signed. Ensure that there are labels on the equipment stating the equipment contains flammable refrigerant.

11. Recovery

When removing refrigerant from a system, either for servicing or decommissioning, it is recommended good practice that all refrigerants are removed safely. When transferring refrigerant into cylinders, ensure that only appropriate refrigerant recovery cylinders are employed. Ensure that the correct number of cylinders for holding the total system charge is available. All cylinders to be used are designated for the recovered refrigerant and labelled for that refrigerant (i.e. special cylinders for the recovery of refrigerant). Cylinders shall be complete with pressure relief valve and associated shut-off valves in good working order. Empty recovery cylinders are evacuated and, if possible, cooled before recovery occurs. The recovery equipment shall be in good working order with a set of instructions concerning the equipment that is at hand and shall be suitable for the recovery of flammable refrigerants. In addition, a set of calibrated weighing scales shall be available and in good working order. Hoses shall be complete with leak-free disconnect couplings and in good condition. Before using the recovery machine, check that it is in satisfactory working order, has been properly maintained and that any associated electrical components are sealed to prevent ignition in the event of a refrigerant release. Consult manufacturer if in doubt. The recovered refrigerant shall be returned to the refrigerant supplier in the correct recovery cylinder, and the relevant Waste Transfer Note arranged. Do not mix refrigerants in recovery units and especially not in cylinders. If compressors or compressor oils are to be removed, ensure that they have been evacuated to an acceptable level to make certain that flammable refrigerant does not remain within the lubricant. The evacuation process shall be carried out prior to returning the compressor to the suppliers. Only electric heating to the compressor body shall be employed to accelerate this process. When oil is drained from a system, it shall be carried out safely.

Competence of service personnel

General

Special training additional to usual refrigerating equipment repair procedures is required when equipment with flammable refrigerants is affected.

In many countries, this training is carried out by national training organisations that are accredited to teach the relevant national competency standards that may be set in legislation.

The achieved competence should be documented by a certificate.

Training

The training should include the substance of the following:

Information about the explosion potential of flammable refrigerants to show that flammables may be dangerous when handled without care.

Information about potential ignition sources, especially those that are not obvious, such as lighters, light switches, vacuum cleaners, electric heaters.

Information about the different safety concepts:

Unventilated – Safety of the appliance does not depend on ventilation of the housing. Switching off the appliance or opening of the housing has no significant effect on the safety. Nevertheless, it is possible that leaking refrigerant may accumulate inside the enclosure and flammable atmosphere will be released when the enclosure is opened.

Ventilated enclosure – Safety of the appliance depends on ventilation of the housing. Switching off the appliance or opening of the enclosure has a significant effect on the safety. Care should be taken to ensure a sufficient ventilation before.

Ventilated room – Safety of the appliance depends on the ventilation of the room. Switching off the appliance or opening of the housing has no significant effect on the safety. The ventilation of the room shall not be switched off during repair procedures.

Information about the concept of sealed components and sealed enclosures according to IEC 60079-15:2010.

Information about the correct working procedures:

a) Commissioning

- Ensure that the floor area is sufficient for the refrigerant charge or that the ventilation hose is assembled in a correct manner.
- Connect the pipes and carry out a leak test before charging with refrigerant.
- Check safety equipment before putting into service.

b) Maintenance

- Portable equipment shall be repaired outside or in a workshop specially equipped for servicing units with flammable refrigerants.
- Ensure sufficient ventilation at the repair place.
- Be aware that malfunction of the equipment may be caused by refrigerant loss and a refrigerant leak is possible.
- Discharge capacitors in a way that won't cause any spark. The standard procedure to short circuit the capacitor terminals usually creates sparks.
- Reassemble sealed enclosures accurately. If seals are worn, replace them.
- Check safety equipment before putting into service.

c) Repair

- Portable equipment shall be repaired outside or in a workshop specially equipped for servicing units with flammable refrigerants.
- Ensure sufficient ventilation at the repair place.
- Be aware that malfunction of the equipment may be caused by refrigerant loss and a refrigerant leak is possible.
- Discharge capacitors in a way that won't cause any spark.
- When brazing is required, the following procedures shall be carried out in the right order:
 - Remove the refrigerant. If the recovery is not required by national regulations, drain the refrigerant to the outside. Take care that the drained refrigerant will not cause any danger. In doubt, one person should guard the outlet. Take special care that drained refrigerant will not float back into the building.
 - Evacuate the refrigerant circuit.
 - Purge the refrigerant circuit with nitrogen for 5 min.
 - Evacuate again.
 - Remove parts to be replaced by cutting, not by flame.
 - Purge the braze point with nitrogen during the brazing procedure.
 - Carry out a leak test before charging with refrigerant.
- Reassemble sealed enclosures accurately. If seals are worn, replace them.
- Check safety equipment before putting into service.

d) Decommissioning

- If the safety is affected when the equipment is putted out of service, the refrigerant charge shall be removed before decommissioning.
- Ensure sufficient ventilation at the equipment location.
- Be aware that malfunction of the equipment may be caused by refrigerant loss and a refrigerant leak is possible.
- Discharge capacitors in a way that won't cause any spark.
- Remove the refrigerant. If the recovery is not required by national regulations, drain the refrigerant to the outside. Take care that the drained refrigerant will not cause any danger. In doubt, one person should guard the outlet. Take special care that drained refrigerant will not float back into the building.
- Evacuate the refrigerant circuit.
- Purge the refrigerant circuit with nitrogen for 5 min.
- Evacuate again.
- Fill with nitrogen up to atmospheric pressure.
- Put a label on the equipment that the refrigerant is removed.

e) Disposal

- Ensure sufficient ventilation at the working place.
- Remove the refrigerant. If the recovery is not required by national regulations, drain the refrigerant to the outside. Take care that the drained refrigerant will not cause any danger. In doubt, one person should guard the outlet. Take special care that drained refrigerant will not float back into the building.
- Evacuate the refrigerant circuit.
- Purge the refrigerant circuit with nitrogen for 5 min.
- Evacuate again.
- Cut out the compressor and drain the oil.

Transportation, marking and storage for units that employ flammable refrigerants

Transport of equipment containing flammable refrigerants

Attention is drawn to the fact that additional transportation regulations may exist with respect to equipment containing flammable gas. The maximum number of pieces of equipment or the configuration of the equipment, permitted to be transported together will be determined by the applicable transport regulations.

Marking of equipment using signs

Signs for similar appliances used in a work area generally are addressed by local regulations and give the minimum requirements for the provision of safety and/or health signs for a work location.

All required signs are to be maintained and employers should ensure that employees receive suitable and sufficient instruction and training on the meaning of appropriate safety signs and the actions that need to be taken in connection with these signs.

The effectiveness of signs should not be diminished by too many signs being placed together.

Any pictograms used should be as simple as possible and contain only essential details.

Disposal of equipment using flammable refrigerants

See national regulations.

Storage of equipment/appliances

The storage of equipment should be in accordance with the manufacturer's instructions.

Storage of packed (unsold) equipment

Storage package protection should be constructed such that mechanical damage to the equipment inside the package will not cause a leak of the refrigerant charge.

The maximum number of pieces of equipment permitted to be stored together will be determined by local regulations.

SICHERHEITSHINWEISE

Lesen Sie vor dem Gebrauch unbedingt die nachfolgenden Anleitungen, um Verletzungen oder Beschädigungen zu vermeiden und das beste Ergebnis mit dem Gerät zu erzielen. Bewahren Sie diese Bedienungsanleitung an einem sicheren Ort auf. Wenn Sie dieses Gerät an eine andere Person weitergeben, stellen Sie sicher, dass Sie auch diese Bedienungsanleitung aushändigen.

Im Falle von Beschädigungen, die durch die Missachtung der Anleitungen in dieser Bedienungsanleitung verursacht wurden, wird die Garantie ungültig. Der Hersteller/Importeur haftet nicht für Schäden, die durch Missachtung der Bedienungsanleitung, fahrlässigen Gebrauch oder Benutzung, die nicht in Übereinstimmung mit den Anforderungen dieser Bedienungsanleitung erfolgt, verursacht wurden.

1. Lesen und bewahren Sie diese Anleitungen auf. Achtung: Die Bilder in der Bedienungsanleitung dienen nur zur Veranschaulichung.
2. Dieses Gerät kann von Kindern ab 8 Jahren und von Personen mit eingeschränkten physischen, sensorischen oder geistigen Fähigkeiten oder ohne Erfahrung und/oder Wissen benutzt werden, wenn diese durch eine für ihre Sicherheit zuständige Person beaufsichtigt werden oder von ihr Anweisungen erhielten, wie das Gerät sicher zu benutzen ist und sie auf die Risiken aufmerksam gemacht wurden.
3. Kinder dürfen nicht mit dem Gerät spielen.
4. Kinder sollten dieses Gerät nicht unbeaufsichtigt reinigen oder warten.
5. Wenn die Netzanschlussleitung dieses Gerätes beschädigt wird, muss sie durch den Hersteller oder seinen Kundendienst oder eine ähnlich qualifizierte Person ersetzt werden, um Gefährdungen zu vermeiden.

6. Bevor Sie den Stecker mit der Netzsteckdose verbinden, prüfen Sie bitte, ob die Spannung und die Frequenz mit den Angaben auf dem Typenschild übereinstimmen.
7. Falls ein Verlängerungskabel verwendet wird, muss es für den Stromverbrauch des Gerätes geeignet sein, sonst kann es zum Überhitzen des Verlängerungskabels und/oder des Steckers kommen. Es besteht Verletzungsgefahr durch Stolpern über das Verlängerungskabel. Lassen Sie Vorsicht walten, um gefährliche Situationen zu vermeiden.
8. Ziehen Sie den Netzstecker aus der Steckdose, wenn das Gerät nicht benutzt und bevor es gereinigt wird.
9. Achten Sie darauf, dass das Netzkabel nicht über scharfe Kanten hängt und halten Sie es von heißen Objekten und offenen Flammen fern.
10. Tauchen Sie das Gerät oder den Netzstecker nicht in Wasser oder andere Flüssigkeiten. Es besteht Lebensgefahr aufgrund von Stromschlag!
11. Um den Stecker aus der Steckdose zu entfernen, ziehen Sie am Stecker. Ziehen Sie nicht am Kabel.
12. Den Netzstecker des Gerätes nicht mit einer nassen Hand aus der Steckdose ziehen oder mit der Steckdose verbinden.
13. Versuchen Sie unter keinen Umständen, das Gehäuse des Gerätes zu öffnen oder das Gerät selbst zu reparieren. Dies könnte einen Stromschlag verursachen.
14. Dieses Gerät ist nicht für den gewerblichen Gebrauch konzipiert. Nur für den Gebrauch in Innenbereichen.
15. Verwenden Sie das Gerät nur zu seinem bestimmungsgemäßen Zweck.
16. Wickeln Sie das Kabel nicht um das Gerät und knicken Sie es nicht.
17. Das Gerät nicht in der Nähe von Zündquellen oder dort verwenden, wo Ölspritzer entstehen können. Vor direktem Sonnenlicht und Spritzwasser schützen und nicht in der Nähe eines Bades, eines Wäscheraums, einer Dusche oder eines Schwimmbads aufstellen.

18. Die Finger nicht in den Luftauslass stecken. Kinder besonders auf diese Gefahren hinweisen.
19. Während des Transports und beim Aufbewahren das Gerät aufrecht abstellen, damit der Kompressor in korrekter Position bleibt.
20. Das Gerät vor dem Reinigen oder Verstellen immer ausschalten und vom Netz trennen.
21. Um Brände zu vermeiden, darf das Gerät nicht zugedeckt werden.
22. Bei der Geräteinstallation müssen die nationalen Vorschriften für die Elektroverdrahtung beachtet werden.
23. Im Falle einer Reparatur oder Wartung am Gerät einen Vertragskundendienst kontaktieren.
24. Nicht am Netzkabel ziehen, das Kabel verändern oder in Wasser tauchen. Durch das Ziehen oder Zweckentfremden des Netzkabels können Geräteschäden und Stromschläge hervorgerufen werden.
25. Die nationalen Vorschriften für Gasverbraucher müssen eingehalten werden.
26. Reparaturen dürfen nur gemäß Empfehlungen des Herstellers vorgenommen werden. Reparatur- und Wartungsarbeiten, für die anderes Fachpersonal erforderlich ist, müssen unter Beaufsichtigung einer Person durchgeführt werden, die sich mit dem Einsatz zündfähiger Kühlmittel auskennt.
27. Zum Unterbrechen oder Abstellen des Geräts nicht den Netzstecker ziehen. Das kann Stromschläge oder Brände aufgrund der Wärmefreisetzung hervorrufen.
28. Netzstecker ziehen, falls seltsame Geräusche, Gerüche oder Rauch aus dem Gerät aufsteigen.
29. Zum Anschließen des Geräts immer eine geerdete Steckdose verwenden.
30. Bis auf die vom Hersteller empfohlenen Hilfsmittel keine anderen Mittel einsetzen, um den Abtauvorgang zu beschleunigen oder das Gerät zu reinigen.

31. Das Gerät muss in einem Raum aufbewahrt werden, in dem sich keine dauerhaft funktionierenden Zündquellen befinden (z. B. offene Flammen, ein in Betrieb befindliches gasbetriebenes Gerät oder eine in Betrieb befindliche Elektroheizung).
32. Nicht hineinstecken oder verbrennen.
33. Wir weisen darauf hin, dass Kältemittel unter Umständen geruchlos sind.
34. Wird das Gerät in einem unbelüfteten Bereich installiert, betrieben oder aufbewahrt, muss der Raum so konzipiert sein, dass sich kein ausgelaufenes Kältemittel sammeln und zu einer Brand- oder Explosionsgefahr werden kann, falls das Kältemittel durch eine Elektroheizung, Ofen oder eine andere Zündquelle gezündet wird.
35. Das Gerät muss so gelagert werden, dass keine mechanischen Defekte auftreten können.
36. Dieses Gerät enthält gasförmiges Kältemittel vom Typ R290. R290 ist Kältemittel in Gasform, das den europäischen Umweltrichtlinien entspricht. Der Kältemittelkreislauf darf an keiner Stelle durchstoßen werden.
37. Die Person, die arbeiten am Kältemittelkreislauf ausführt oder diesen betreibt, muss ein entsprechendes Zertifikat vorlegen können, das von einem akkreditierten Institut ausgestellt wurde und nachweist, dass die Person über die Fachkompetenzen zur industriekonformen Handhabung von Kältemitteln verfügt.
38. Die folgenden Absätze bei der Reparatur von Geräten mit R290 Kältemittel beachten.
39. Um Schäden zu vermeiden, stellen Sie das Gerät vor der Inbetriebnahme mindestens 2 Stunden lang aufrecht hin.



Warnung: Brandgefahr / zündfähiges Material.



Anleitungen lesen.



Bedienungsanleitung; Betriebsanleitung.



Symbol für Reparatur/Wartung; technische Anleitung lesen.

Warnung: Belüftungsöffnungen von Blockaden frei halten.

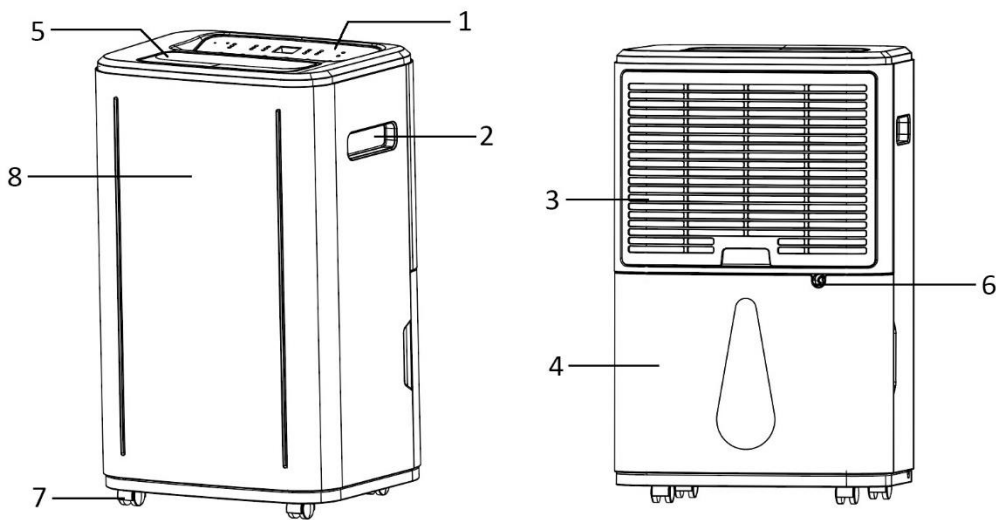
Warnung: Das Gerät muss in einem gut belüfteten Raum stehen, dessen Größe mit den Raumangaben in den technischen Daten übereinstimmt.

Alle Arbeitsverfahren, die sich auf Sicherheitsvorrichtungen auswirken, dürfen nur von sachkundigen Personen durchgeführt werden.

Ein Mindestabstand von 30 cm sollte um das Gerät herum eingehalten werden.

Das Gerät muss in einem Raum installiert, betrieben und aufbewahrt werden, dessen Bodenfläche größer ist als 4 m².

BESCHREIBUNG DER TEILE



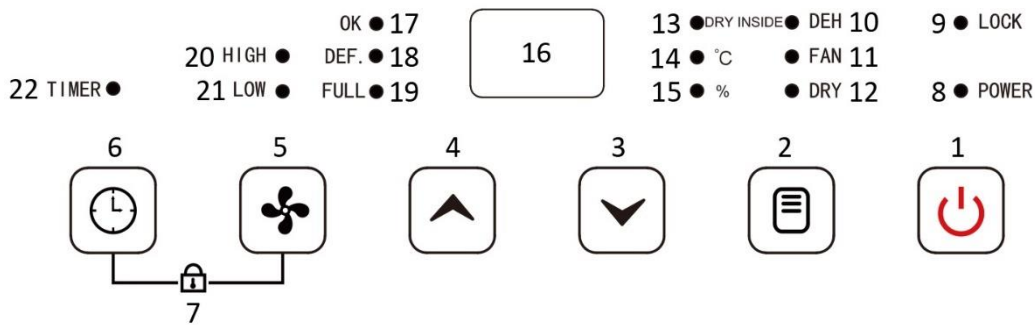
1. Bedienfeld
2. Griffmulde
3. Lufteinlass und -filter
4. Wassertank
5. Luftauslass (mit Abdeckung)
6. Dauerablauf
7. Laufrollen
8. Anzeige

Wichtig! Das Netzkabel wird im Wassertank aufbewahrt, um Transportschäden zu vermeiden. Bitte beachten Sie die folgenden Schritte, um das Netzkabel vor dem Gebrauch herauszunehmen.

- 1) Ziehen Sie den Wassertank ein wenig heraus, um einen Teil des Netzkabels herauszuziehen.
- 2) Öffnen Sie den Wassertank nun vollständig
- 3) Öffnen Sie den Tankdeckel auf der rechten Seite, um das Netzkabel aus dem Wassertank zu nehmen.
- 4) Setzen Sie den Wassertank wieder ein.



BEDIENFELD



1. Ein/Standby-Schalter
2. Modus-Taste
3. Taste Verringern des Werts
4. Taste Erhöhen des Werts
5. Taste Ventilatorstufe
6. Timer-Taste
7. Anzeige der Tasten für die Kindersicherung
8. Betriebsanzeige
9. Anzeigeleuchte Kindersicherung
10. Anzeigeleuchte Entfeuchtung
11. Anzeigeleuchte Ventilator
12. Anzeigeleuchte Wäschetrocknung
13. Anzeigeleuchte Trocknung des Geräteinneren
14. Temperaturanzeige
15. Luftfeuchtigkeitsanzeige
16. Digital-Display
17. Anzeigeleuchte eingestellte Feuchtigkeit erreicht
18. Anzeigeleuchte Abtaufunktion
19. Anzeigeleuchte Wassertank voll (leuchtet auch auf, wenn der Wassertank nicht richtig eingesetzt ist)
20. Anzeigeleuchte hohe Lüfterstufe
21. Anzeigeleuchte niedrige Lüfterstufe
22. Timer-Anzeigeleuchte

VOR DEM ERSTEN GEBRAUCH

- Um Schäden zu vermeiden, stellen Sie das Gerät vor der Inbetriebnahme mindestens 24 Stunden lang aufrecht hin.
- Nach dem Entfernen der Verpackung prüfen, ob sich das Gerät in einem guten Zustand befindet.
- Kinder nicht mit dem Verpackungsmaterial spielen lassen, da Erstickungsgefahr besteht.

Das Gerät muss auf einer ebenen Fläche aufgestellt werden, auf der der Luftein- bzw. -auslass nicht blockiert wird. Ein Mindestabstand von 30 cm sollte um das Gerät herum eingehalten werden. Um Energie zu sparen, Fenster und Tür geschlossen halten, wenn das Gerät in Betrieb ist.

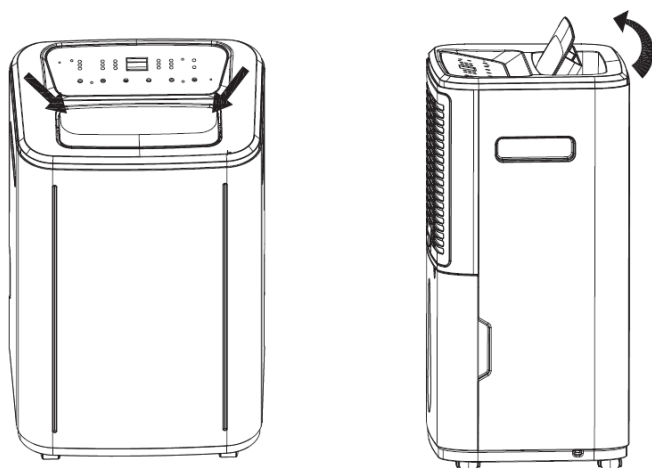
Hinweis: Wenn der Luftentfeuchter durch Haushaltsgeräte wie Fernseher und Radios gestört wird, halten Sie diese Geräte bitte mehr als 70 cm vom Luftentfeuchter entfernt.

BEDIENUNG

Das Gerät an eine Steckdose anschließen. Ein Signalton ertönt. Das Gerät befindet sich im Standby-Modus. Die Betriebsanzeige leuchtet.

Ein/Standby-Schalter:

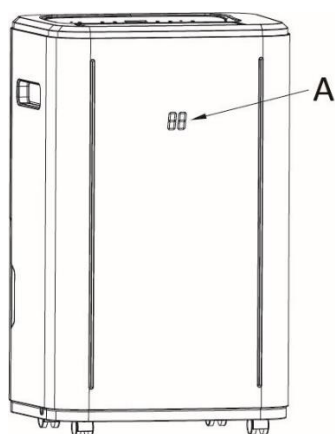
Mit dem Schalter Ein/Standby schalten Sie das Gerät ein. Öffnen Sie den Deckel des Luftauslasses von Hand. Die Betriebsanzeige leuchtet weiter. Durch erneutes Drücken der Taste schaltet das Gerät auf Standby um.



Modus-Taste

Drücken Sie die Modus-Taste, um den gewünschten Modus auszuwählen: Entfeuchtung, Ventilator oder Wäschetrocknung.

1. Entfeuchtungsmodus: Die Anzeigeleuchte „DEH“ leuchtet. Die Ventilator Drehzahl kann zwischen niedrig und hoch eingestellt werden. Die Luftfeuchte kann zwischen 35 und 85 % RH oder auf „CO“ (kontinuierlich) eingestellt werden. Drücken Sie die Taste „ \wedge “/„ \vee “, um die Einstellungen vorzunehmen. Das Digital-Display zeigt die Soll-Luftfeuchte an.
 - 1) Wenn die Luftfeuchte der Umgebungsluft größer als die Soll-Luftfeuchte +3% ist, schaltet sich der Kompressor ein und der Ventilator läuft mit der eingestellten Drehzahl.
Wenn die Luftfeuchte der Umgebungsluft kleiner als die Soll-Luftfeuchte -3 % ist, schaltet sich der Kompressor ab und der Ventilator schaltet automatisch auf die niedrige Drehzahl um.
Wenn die Soll-Luftfeuchte - 3 % kleiner als oder gleich der Luftfeuchte der Umgebungsluft kleiner als oder gleich der Soll-Luftfeuchte + 3 % ist, läuft der Kompressor weiter und der Ventilator läuft mit der eingestellten Drehzahl.
 - 2) Wenn die Luftfeuchte der Umgebungsluft die Soll-Luftfeuchte nicht erreicht, leuchtet die Anzeigeleuchte „OK“ auf dem Bedienfeld nicht. Wenn die Luftfeuchte der Umgebungsluft die Soll-Luftfeuchte erreicht, leuchtet die Anzeigeleuchte „OK“.
 - 3) Die Anzeige (A) auf der Vorderseite des Gerätes zeigt je nach Luftfeuchte der Umgebungsluft 3 Farben an. Sie zeigt rot an, wenn die Luftfeuchte der Umgebungsluft höher als 65 % RH ist, grün, wenn die Luftfeuchte der Umgebungsluft zwischen 45 % RH und 65 % RH liegt, und blau, wenn die Luftfeuchte der Umgebungsluft unter 45 % RH ist.



- 4) Wenn die Soll-Luftfeuchte auf „CO“ eingestellt ist, läuft der Kompressor kontinuierlich ohne die Begrenzung durch die Soll-Luftfeuchte, und die Ventilatorumdrehzahl ist einstellbar. Das Digital-Display zeigt „CO“.
2. Ventilatormodus: Die Anzeigeleuchte „FAN“ leuchtet auf. Der Kompressor läuft nicht; die Ventilatorumdrehzahl kann zwischen niedrig und hoch eingestellt werden. Die Luftfeuchte kann nicht eingestellt werden und die Luftfeuchte der Umgebungsluft (30~90%RH) wird auf dem Digital-Display angezeigt.
3. Wäschetrocknungsmodus: Die Anzeigeleuchte „DRY“ leuchtet. Der Kompressor läuft kontinuierlich. Die Ventilatorumdrehzahl kann nicht eingestellt werden und das Gerät arbeitet standardmäßig mit hoher Ventilatorumdrehzahl. Die Luftfeuchte kann nicht eingestellt werden und die Luftfeuchte der Umgebungsluft (30~90 % RH) wird auf dem Digital-Display angezeigt.

Hinweis: Wenn das Gerät im Entfeuchtungs- oder Wäschetrocknungsmodus ausgeschaltet wird, schaltet sich der Ventilatormotor nach einer Verzögerung von 1 Minute aus.

Tasten zum Erhöhen/Verringern der Einstellwerte

1. Drücken Sie die Taste „▲“, um die Luftfeuchte oder den Timer-Wert zu erhöhen. Drücken Sie die Taste „▼“, um die Luftfeuchte oder den Timer-Wert zu verringern.
2. Wenn die Luftfeuchte der Umgebungsluft größer als 65 %RH ist, können Sie die Taste „▼“ für 3 Sekunden gedrückt halten, um die Schimmelentfernungsfunktion (Trocknung des Geräteinneren) zu aktivieren. Die Anzeigeleuchte „DRY INSIDE“ schaltet sich ein. Diese Funktion ist nur für den Entfeuchtungsmodus und den Wäschetrocknungsmodus verfügbar. Halten Sie diese Taste noch einmal 3 Sekunden lang gedrückt, um die Funktion zu deaktivieren.

Hinweis: Wenn diese Funktion ausgewählt wurde und das Gerät später ausgeschaltet wird, schaltet sich der Ventilatormotor nach einer Verzögerung von 5 Minuten aus.

3. Drücken Sie die Tasten „▲“ und „▼“ gleichzeitig, um die Raumtemperatur auf dem Digital-Display zu prüfen. Der Wert wird ca. 10 Sekunden lang angezeigt.

Taste Ventilatorstufe

1. Drücken Sie die Taste für die Ventilatorstufe, um eine niedrige oder hohe Stufe einzustellen. Die entsprechende Anzeigeleuchte leuchtet dann auf.
2. Halten Sie die Taste für die Ventilatorstufe drei Sekunden lang gedrückt, um die Anzeige auszuschalten oder einzuschalten. Wenn die Anzeige ausgeschaltet ist, verdunkelt sich das Bedienfeld innerhalb von 5 Sekunden, wenn keine weitere Taste betätigt wird.

Timer-Taste

Einstellen des Einschalt-Timers:

- Wenn das Gerät im Stand-by ist, drücken Sie die Taste „TIMER“. Die entsprechende „TIMER“ Anzeigeleuchte leuchtet auf.
- Drücken Sie die Taste „▲“/„▼“, um eine Einschaltzeit zwischen 0 und 24 Stunden einzustellen. Der Wert blinkt auf dem Digital-Display und die Einstellung wird in ca. 5 Sekunden aktiviert.
- Sobald die eingestellte Zeit abgelaufen ist, schaltet sich das Gerät automatisch ein.

Einstellen des Ausschalt-Timers

- Drücken Sie bei eingeschaltetem Gerät die Taste „TIMER“. Die entsprechende „TIMER“ Anzeigeleuchte leuchtet auf.
- Drücken Sie die Taste „▲“/„▼“, um eine Ausschaltzeit zwischen 0 und 24 Stunden einzustellen. Der Wert blinkt auf dem Digital-Display und die Einstellung wird in ca. 5 Sekunden aktiviert. Das Digital-Display zeigt wieder die Luftfeuchte an.
- Sobald die eingestellte Zeit abgelaufen ist, schaltet sich das Gerät automatisch aus.

Hinweis: Drücken Sie erneut die Taste „TIMER“, um die verbleibende Zeit zu überprüfen. Drücken Sie die Taste „TIMER“ weiter, um die Timer-Funktion abzubrechen.

Kindersicherungsfunktion

Drücken Sie die Tasten für Timer und Ventilatorstufe gleichzeitig, um die Kindersicherung einzuschalten. Die Anzeigeleuchte „LOCK“ leuchtet auf und alle Tasten auf dem Bedienfeld sind deaktiviert. Drücken Sie die Tasten für Timer und Ventilatorstufe noch einmal gleichzeitig, um die Kindersicherung auszuschalten.

Abtaufunktion

Das Gerät wechselt automatisch in die Abtaufunktion. Die Anzeigeleuchte „DEF.“ leuchtet und der Kompressor schaltet sich aus. Sobald das Abtauen beendet ist, schaltet sich die Anzeigeleuchte „DEF.“ aus und der Kompressor läuft weiter.

Hinweis:

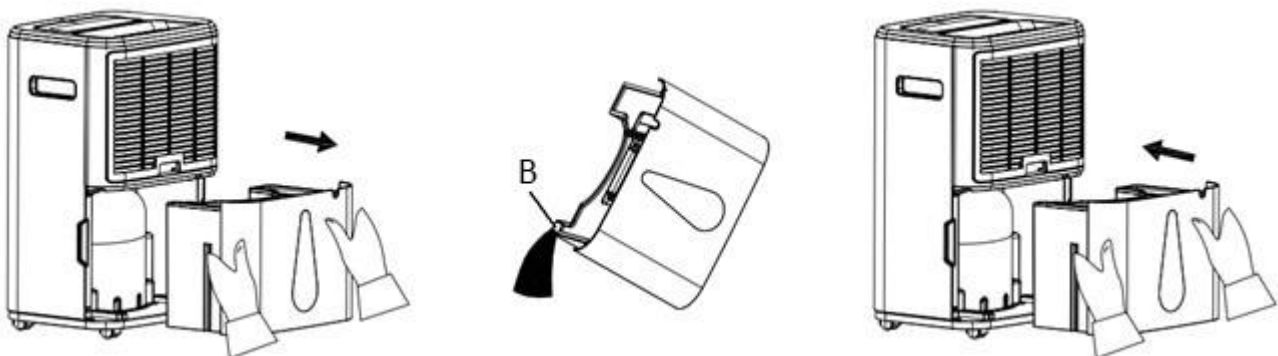
1. Der Anzeigebereich der Luftfeuchte der Umgebungsluft ist 30~90% RH (Luftfeuchte der Umgebungsluft kleiner als oder gleich 30 %; Anzeige 30 %; Luftfeuchte der Umgebungsluft größer als oder gleich 90 %; Anzeige 90 %). Die Betriebsumgebungstemperatur dieses Geräts beträgt 5 ~ 32 °C , und die Betriebsluftfeuchte der Umgebungsluft beträgt 10 ~ 95 % RH.
2. Der Kompressor hat eine dreiminütige Verzögerungsschutzfunktion. Wenn der Kompressor läuft und die Stromversorgung versehentlich unterbrochen wird, startet der Kompressor nicht sofort, nachdem die Stromversorgung wiederhergestellt wurde. Er startet nach 3 Minuten.

GESAMMELTES WASSER ABLASSEN

Wenn der Wassertank voll ist, leuchtet die Anzeige für einen vollen Wassertank auf. Auf dem Digital-Display blinkt „FL“. Der Betrieb stoppt automatisch und der Summer ertönt 5 Mal, um den Benutzer darauf hinzuweisen, dass das Wasser aus dem Wassertank entleert werden muss.

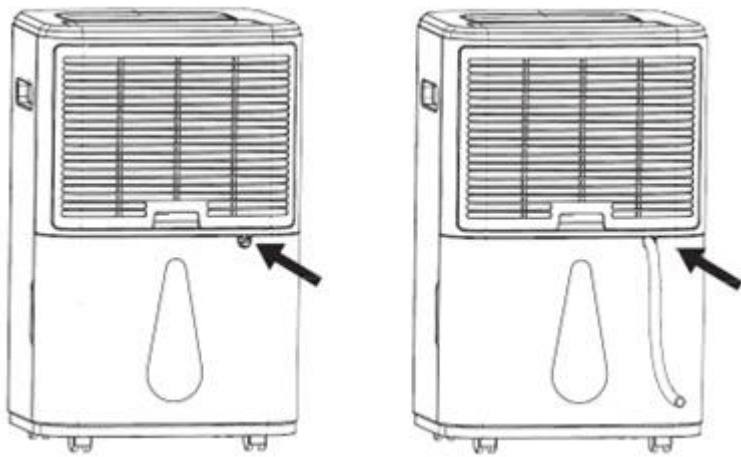
Den Wassertank entleeren.

1. Ziehen Sie den Wassertank vorsichtig heraus, indem Sie den konkaven Teil an beiden Seiten festhalten.
2. Gießen Sie das aufgefangene Wasser, durch die Ablauföffnung (B) aus.
3. Setzen Sie den Wassertank wieder ein, indem Sie ihn waagrecht und vorsichtig hineinschieben. Der Griff des Wassertankdeckels sollte unten liegen.



Kontinuierlicher Wasserabfluss

Schließen Sie das mitgelieferte Kunststoffrohr an den Dauerabfluss an. Das Kondenswasser kann dadurch über diesen Abfluss ununterbrochen abgeführt werden, ohne sich im Wassertank zu sammeln. Achten Sie darauf, dass das Rohr mit Gefälle verlegt wird, damit das Wasser kontinuierlich ausströmen kann.



REINIGUNG UND PFLEGE

Das Gerät muss regelmäßig gereinigt werden, um seine Lebensdauer zu verlängern und seine Funktionstüchtigkeit zu erhalten.

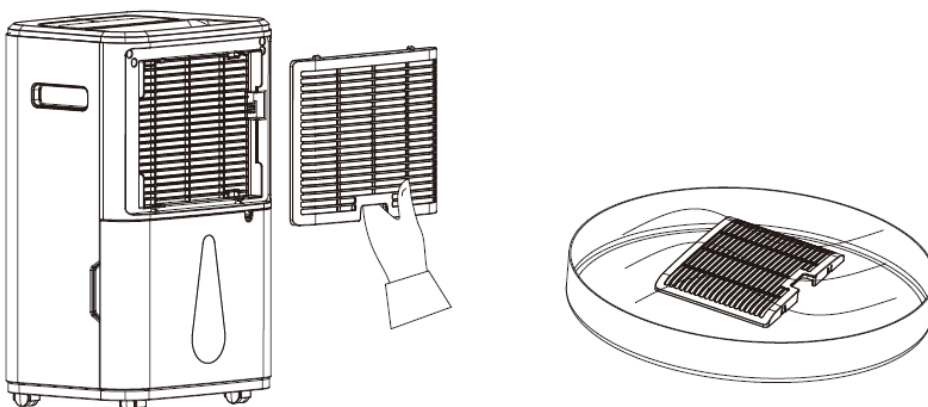
Warnung: Schalten Sie das Gerät vor jeder Reinigung aus und ziehen Sie den Netzstecker, um Stromschläge zu vermeiden. Verwenden Sie zur Reinigung weder heißes Wasser noch chemische Lösungsmittel.

1. Reinigen Sie den Wassertank regelmäßig mit kaltem oder warmem Wasser und trocknen Sie ihn mit einem weichen Tuch, um Schimmel zu vermeiden.
2. Reinigen Sie die Oberfläche des Geräts mit einem feuchten Tuch. Verwenden Sie keine Reinigungsmittel oder Scheuerschwämme, die eine Beschädigung der Kunststoffoberfläche verursachen können.
3. Reinigen Sie den Filter wie im folgenden Abschnitt beschrieben.
4. Wenn das Gerät über einen längeren Zeitraum nicht benutzt wird:
 - 1) Entleeren und trocknen Sie den Wassertank, und bauen Sie ihn wieder ein.
 - 2) Reinigen Sie den Filter.
 - 3) Stellen Sie das Gerät aufrecht hin und vermeiden Sie direkte Sonneneinstrahlung.

Filter

Auf der Rückseite des Geräts befindet sich ein Filter, der regelmäßig entnommen und gereinigt werden muss. Die Entfeuchtungsleistung kann sich verringern, wenn der Filter verstopft ist.

- Ziehen Sie den Filter von unten heraus, um ihn aus Gerät zu nehmen, und legen Sie ihn in das saubere Wasser.
- Es wird empfohlen, bei kontinuierlichem Gebrauch mindestens einmal alle zwei Wochen eine Reinigung durchzuführen.
- Wenn der Filter nicht verschmutzt ist, saugen Sie einfach den Staub ab.
- Wenn der Filter verschmutzt ist, reinigen Sie ihn einfach mit kaltem oder warmem Wasser von maximal 40 Grad; verwenden Sie keine chemischen Lösungsmittel oder heißes Wasser.
- Lassen Sie den Filter vor dem Montieren gründlich trocknen.



Hinweis:

Damit sich der Filter nicht verformt, muss er nach der Reinigung an der Luft getrocknet werden. Benutzen Sie niemals einen Haartrockner oder eine Heizung. Verwenden Sie zum Reinigen des Filters keinen Alkohol, Benzin, Benzol oder andere chemische Lösungsmittel.

FEHLERBEHEBUNG

Status	Mögliche Ursache	Lösungen
Heiße Luft	Die Luft des Luftentfeuchters wird durch die Wärmerückgewinnungseinheit geleitet, so dass die heiße Luft entweicht (keine Kühlfunktion).	Dies ist keine Fehlfunktion.
Der Luftentfeuchter funktioniert nicht.	Ist der Netzstecker nicht mit der Steckdose verbunden?	Schließen Sie den Netzstecker an eine Steckdose an.
	Ist der Wassertank voll? Oder ist der Wassertank falsch eingesetzt?	Lassen Sie das stehende Wasser im Tank ab und setzen Sie den Tank wieder in der richtigen Position ein.
Entfeuchtungsfunktion funktioniert nicht.	Ist die Temperatur oder Luftfeuchte im Raum zu niedrig?	Während der Trockenzeit wird die Entfeuchtungsleistung des Entfeuchters reduziert.
	Ist der Lufteinlass oder Luftauslass verstopft?	Entfernen Sie alle Gegenstände, die den Luftauslass oder Lufteinlass blockieren.
Kein Wind	Ist der Luftfilter verstopft?	Reinigen Sie den Luftfilter.
Das Gerät ist zu laut während des Betriebs.	Ist es falsch aufgestellt, so dass das Gerät geneigt oder nicht fest steht?	Bitte verwenden Sie das Gerät nicht auf unebenem Boden.
	Ist der Luftfilter verstopft?	Reinigen Sie den Luftfilter.

TECHNISCHE DATEN

Entfeuchtungsleistung (30°C, 80 % RH)	30 l/Tag
Entfeuchtungsleistung (27°C, 60 % RH)	16 l/Tag
Nennspannung	AC 220-240 V
Nennfrequenz	50 Hz
Nenneingangsleistung	420 W
Nennstrom	1,9 A
Kältemittel	R290 /74 g

GARANTIE UND KUNDENSERVICE

Vor der Lieferung werden unsere Geräte einer strengen Qualitätskontrolle unterzogen. Wenn, trotz aller Sorgfalt, während der Produktion oder dem Transport Beschädigungen aufgetreten sind, senden Sie das Gerät zurück an den Händler. Zusätzlich zu den gesetzlichen Rechten hat der Käufer die Option, gemäß den folgenden Bedingungen Garantie zu fordern:

Wir bieten eine 2-Jahres-Garantie für das erworbene Gerät, beginnend am Tag des Verkaufs. Wenn Sie ein defektes Produkt haben, nehmen Sie bitte direkt Kontakt mit dem Verkäufer auf.

Defekte, die aufgrund von unangemessenem Umgang mit dem Gerät entstehen und Störungen aufgrund von Eingriffen und Reparaturen Dritter oder das Montieren von nicht-Originalteilen werden nicht von dieser Garantie abgedeckt. Die Quittung immer aufbewahren, ohne Quittung wird jegliche Garantie ausgeschlossen. Bei Schäden durch Nichteinhalten der Bedienungsanleitung erlischt die Garantie, Wir sind für daraus resultierende Folgeschäden nicht haftbar. Für Materialschäden oder Verletzungen aufgrund falscher Anwendung oder Nichtbefolgen der Sicherheitshinweise sind wir nicht haftbar. Schäden an den Zubehörteilen bedeutet nicht, dass das gesamte Gerät kostenlos ausgetauscht wird. In diesem Fall kontaktieren Sie unseren Kundendienst. Zerbrochenes Glas oder Kunststoffteile sind immer kostenpflichtig. Schäden an Verbrauchsmaterialien oder Verschleißteilen, sowie Reinigung, Wartung oder Austausch der besagten Teile werden durch die Garantie nicht abgedeckt und sind deshalb kostenpflichtig.

UMWELTGERECHTE ENTSORGUNG



Wiederverwertung – Europäischen Richtlinie 2012/19/EG

Dieses Symbol zeigt an, dass das Produkt nicht zusammen mit Haushaltsabfällen entsorgt werden darf.

Um Umwelt- und Gesundheitsschäden durch unkontrollierte Abfallentsorgung zu verhindern, bitte

verantwortungsbewusst entsorgen, um die nachhaltige Wiederverwertung von Ressourcen zu fördern.

Nutzen Sie zur Rückgabe Ihres Altgeräts bitte die Rückgabe- und Sammelsysteme oder wenden Sie sich an den Händler, bei dem Sie dieses Gerät erworben haben. Dieser kann das Gerät umweltschonend entsorgen.

Emerio B.V.
Oudeweg 115
2031 CC Haarlem
The Netherlands

Customer service:
T: +31 (0) 23 3034369
www.emerio.eu/service

Kundeninformation:
T: +49 (0) 3222 1097 600
www.emerio.eu/service

Klantenservice:
T: +31 (0) 23 3034369
www.emerio.eu/service

Looking for spare parts? Have a look at www.spareparts.emerio.eu

Sie brauchen Ersatzteile? Besuchen Sie www.ersatzteile.emerio.eu

Onderdelen nodig? Kijk op www.onderdelen.emerio.eu

ANWEISUNGEN FÜR DIE REPARATUR VON GERÄTEN, DIE R290 ENTHALTEN

1. Reparaturen

1) Prüfung des Bereichs

Vor Arbeiten an Systemen, die zündfähige Kältemittel enthalten, sind Sicherheitskontrollen erforderlich, um für eine Minimierung des Zündrisikos zu sorgen. Zur Reparatur von Kälteanlagen müssen die folgenden Sicherheitsvorkehrungen getroffen werden, bevor Arbeiten an den Anlagen durchgeführt werden.

2) Arbeitsweise

Die Arbeiten müssen unter kontrollierten Bedingungen ausgeführt werden, um das Risiko so gering wie möglich zu halten, dass während der Arbeiten zündfähige Gase oder Dämpfe vorhanden sind.

3) Allgemeines zum Arbeitsbereich

Das gesamte Wartungspersonal sowie andere, die in dem Arbeitsbereich tätig sind, müssen in die Art der auszuführenden Arbeiten eingewiesen werden. Arbeiten bei mangelndem Platzangebot sind zu vermeiden. Die Zone um den Arbeitsbereich herum muss abgesperrt werden. Es ist sicherzustellen, dass die Arbeitsbedingungen innerhalb der Zone durch eine Kontrolle des zündfähigen Materials sicher gemacht wurden.

4) Prüfung auf Kältemittel

Mit einem geeigneten Kältemittel-Detektor muss der Bereich vor Beginn und während der Arbeiten auf das Vorhandensein eines Kältemittels überprüft werden, damit das technische Personal über eine potenziell zündfähige Atmosphäre informiert ist. Das verwendete Lecksuchgerät muss für die Erkennung von zündfähigen Kältemitteln geeignet sein, d. h. es darf keine Funken bilden und es muss angemessen versiegelt bzw. eigensicher sein.

5) Prüfung auf Feuerlöschgeräte

Falls Heißenarbeiten an Kälteanlagen oder dazu gehörigen Komponenten durchzuführen sind, muss eine geeignete Feuerlöscheinrichtung griffbereit sein. Neben dem Einlaufbereich sollte ein Feuerlöschgerät mit Trockenpulver oder CO₂ bereit stehen.

6) Keine Zündquellen

Personen, die Arbeiten an einer Kälteanlage ausführen, bei denen Rohrleitungen freigelegt werden, in denen zündfähige Kältemittel geleitet werden oder wurden, dürfen Zündquellen keinesfalls auf eine Weise benutzen, die zu einer Brand- oder Explosionsgefahr führen kann. Alle möglichen Zündquellen wie etwa das Rauchen von Zigaretten sollten in genügend sicherem Abstand von dem Ort der Installation, Reparatur, Verlegung und Entsorgung fern gehalten werden, bei der unter Umständen zündfähiges Kältemittel an die Umgebung freigesetzt wird. Vor der Ausführung von Arbeiten muss der Bereich um die Anlage herum auf gefährliche Zündquellen oder Brandgefährdungen untersucht werden. „Rauchen verboten“ Schilder müssen aufgestellt werden.

7) Belüfteter Bereich

Der Arbeitsbereich muss sich im Freien befinden oder ausreichend belüftet werden, bevor die Anlage geöffnet wird oder Heißenarbeiten durchgeführt werden. Für den gesamten Zeitraum der Arbeitsausführung muss ein gewisser Grad an Belüftung aufrechterhalten bleiben. Die Belüftung muss das freigesetzte Kältemittel sicher verteilen und vorzugsweise nach außen an die Atmosphäre befördern können.

8) Überprüfung der Kälteanlage

Sofern Elektrokomponenten auszuwechseln sind, müssen diese für den jeweiligen Zweck geeignet sein und die richtigen technischen Eigenschaften besitzen. Die Wartungs- und Instandhaltungsvorschriften des Herstellers müssen stets befolgt werden. Im Zweifelsfall bei der technischen Abteilung des Herstellers rückfragen.

Folgende Kontrollen müssen bei Anlagen mit zündfähigen Kältemitteln durchgeführt werden:

- Die Einfüllmenge muss der Größe des Raums entsprechen, in dem die Kältemittel enthaltenden Teile installiert werden;
- Die Belüftungsmaschinen und Auslässe funktionieren einwandfrei und werden nicht blockiert;
- Bei Einsatz eines indirekten Kältemittelkreislaufs muss der sekundäre Kreislauf auf Kältemittelaustritte geprüft werden;

- Die Kennzeichnungen an der Anlage sind deutlich sichtbar und leserlich. Nicht lesbare Kennzeichnungen und Schilder müssen korrigiert werden;
- Kühlrohrleitungen oder Komponenten sind in Positionen installiert, in denen eine Gefährdung durch andere Stoffe, die Kältemittel enthaltende Komponenten angreifen können, unwahrscheinlich ist, es sei denn, die Komponenten bestehen aus Materialien, die stoffbedingt korrosionsresistent sind oder sie werden auf geeignete Weise vor Korrosion geschützt.

9) Prüfung elektrischer Geräte

Zu Reparatur- und Wartungsarbeiten an Elektroteilen gehören auch Sicherheits-Erstprüfungen sowie Arbeitsschritte zur Komponentenprüfung. Liegt ein Defekt vor, der die Sicherheit gefährden könnte, darf solange keine elektrische Versorgung an den Verbraucher angeschlossen werden, bis der Defekt zufriedenstellend behoben wurde. Sollte sich der Defekt nicht unmittelbar beheben lassen, jedoch der Betrieb fortgesetzt werden muss, muss auf eine angemessene Behelfslösung verwendet werden. Diese sollte dem Eigentümer der Anlage mitgeteilt werden, sodass alle Beteiligten informiert sind. Zu den Sicherheits-Erstprüfungen gehören folgende:

- Kondensatoren müssen entladen werden. Dies muss auf sichere Art und Weise geschehen, um eine Funkenbildung zu vermeiden;
- Beim Befüllen, Nachfüllen oder Spülen der Anlage dürfen keine stromführenden Komponenten und Leitungen frei liegen;
- Es muss eine durchgängige Verbindung zur Schutz Erde vorhanden sein.

2. Reparaturen an versiegelten Komponenten

1) Bei Reparaturen an versiegelten Komponenten müssen alle elektrischen Versorgungseinrichtungen von der Anlage getrennt werden, an der Arbeiten ausgeführt werden, bevor versiegelte Schutzvorrichtungen o. ä. entfernt werden. Falls eine elektrische Versorgung der Anlage während der Wartungsarbeiten unvermeidlich ist, muss eine permanent arbeitende Leckerkennung an den kritischsten Stellen vorgesehen werden, um vor eventuellen Gefahrensituationen zu warnen.

2) Besondere Aufmerksamkeit sollte den nachfolgenden Punkten geschenkt werden, um sicher zu stellen, dass durch Arbeiten an den elektrischen Komponenten nicht die Umhausung soweit verändert wird, dass der Schutzgrad dadurch eingeschränkt wird. Dazu gehören unter anderem Kabelschäden, eine überhöhte Anzahl an Anschlüssen, Anschlüsse, die nicht nach Herstellerspezifikationen hergestellt werden, Schäden an Versiegelungen, eine falsche Montage von Kabeldurchführungen etc.

Sicher stellen, dass das Gerät fest aufgestellt ist. Sicher stellen, dass weder Versiegelungen noch Dichtstoffe so sehr gealtert sind, dass sie ein Eindringen zündfähiger Atmosphären nicht mehr verhindern und somit ihren Zweck nicht mehr erfüllen können. Ersatzteile müssen den Spezifikationen des Herstellers entsprechen.

HINWEIS: Die Verwendung von Silikondichtmitteln kann die Wirksamkeit mancher Leckdetektorgeräte beeinträchtigen. Eigensichere Komponenten müssen nicht elektrisch getrennt werden, bevor an ihnen gearbeitet wird.

3. Reparaturen an eigensicheren Komponenten

Keine permanenten induktiven oder kapazitiven Verbraucher an die Schaltung anlegen, wenn nicht dafür gesorgt ist, dass Spannung und Strom die zulässigen Grenzen für den Betrieb der Anlage überschreiten. Eigensichere Komponenten sind die einzigen Teile, an denen bei anliegendem Strom und zündfähiger Atmosphäre gearbeitet werden kann. Das Prüfinstrument muss die korrekten Bemessungswerte vorweisen. Komponenten nur durch Teile ersetzen, die vom Hersteller angegeben sind. Fremdteile können in der Atmosphäre einer Leckage zu einer Zündung des Kältemittels führen.

4. Kabelverbindungen

Kabelverbindungen auf Verschleiß, Korrosion, zu hohem Druck, Vibrationen, scharfe Kanten oder andere schädliche Umgebungsauswirkungen überprüfen. Bei der Prüfung sollten auch die Folgen von Alterung oder dauernden Vibrationen aufgrund von Kompressoren oder Lüftern berücksichtigt werden.

5. Erkennung zündfähiger Kältemittel

Unter keinen Umständen dürfen potenzielle Zündquellen dafür benutzt werden, um Kältemittel-Leckagen zu lokalisieren oder zu detektieren. Ein Halogen-Lecksucher (oder jeder andere Detektor, der eine offene Flamme einsetzt) darf nicht benutzt werden.

6. Verfahren der Leckerkennung

Folgende Leckdetektor-Verfahren gelten als zulässig für Anlagen, die zündfähige Kältemittel enthalten.

Elektronische Leckdetektoren müssen für die Erkennung zündfähiger Kältemittel eingesetzt werden, jedoch ist die Empfindlichkeit unter Umständen nicht ausreichend oder sie müssen neu kalibriert werden. (Detektorgeräte müssen in einem Kältemittel freien Bereich kalibriert werden.) Sicher stellen, dass der Detektor keine potenzielle Zündquelle für das verwendete Kältemittel darstellt. Das Leckdetektorgerät muss auf einen Prozentsatz des LFL des Kältemittels eingestellt werden und es muss für das eingesetzte Kältemittel kalibriert werden. Die entsprechende Menge Gas (maximal 25 %) ist zu bestätigen. Flüssige Leckdetektoren eignen sich für die meisten Kältemittel, jedoch müssen chlorhaltige Detektoren vermieden werden, da das Chlor mit dem Kältemittel reagieren und Kupferrohrleitungen angreifen kann. Falls ein Leckverdacht besteht, sollten alle offenen Flammen entfernt bzw. gelöscht werden. Wenn ein Kältemittelleck gefunden wird und Hartlötarbeiten erforderlich sind, muss das gesamte Kältemittel aus der Anlage aufgefangen oder (durch Absperrschieber) in einen Teil der Anlage abgeschieden werden, der von der Leckstelle weit entfernt ist. Sauerstofffreier Stickstoff (OFN) muss anschließend zum Spülen der Anlage vor sowie während der Hartlötarbeiten eingesetzt werden.

7. Entfernen und Evakuierung

Wenn der Kältemittelkreis für Reparaturarbeiten oder für andere Zwecke unterbrochen wird, müssen herkömmliche Methoden verwendet werden. Es sollte dabei jedoch immer eine in der Praxis bewährte Vorgehensweise benutzt werden, da die Zündfähigkeit ein kritischer Punkt ist. Nach folgender Vorgehensweise richten:

- Kältemittel entfernen;
- Den Kreislauf mit einem Edelgas spülen;
- Evakuieren;
- Nochmals mit Edelgas spülen;
- Den Kreislauf durch Trennschneiden oder Hartlöten öffnen.

Das vorhandene Kältemittel in geeigneten Behältern auffangen. Um die Anlage sicher zu machen, mit sauerstofffreiem Stickstoff „spülen“. Der Vorgang muss eventuell mehrmals wiederholt werden. Für diese Aufgabe darf weder Druckluft noch Sauerstoff verwendet werden. Zum Spülen wird der Unterdruck in der Anlage mit sauerstofffreiem Stickstoff aufgehoben und weiter gefüllt, bis der Betriebsdruck erreicht ist. Danach wird der Stoff in die Atmosphäre entlüftet und der Unterdruck wieder hergestellt. Dieser Vorgang wird wiederholt, bis sich kein Kältemittel mehr in der Anlage befindet. Nach dem letzten Stickstoff-Spülgang wird die Anlage bis auf Atmosphärendruck entlüftet, damit die Arbeiten ausgeführt werden können. Dieser Vorgang ist ein absolutes Muss, wenn Hartlötarbeiten an den Rohrleitungen auszuführen sind. Dafür sorgen, dass der Auslauf der Unterdruckpumpe nicht in der Nähe von Zündquellen liegt und dass eine Belüftung verfügbar ist.

8. Vorgehensweise beim Befüllen

Abgesehen von den herkömmlichen Befüllungsarbeiten müssen die folgenden Anweisungen befolgt werden.

- Bei Einsatz der Einfüllgeräte dafür sorgen, dass keine Verunreinigung durch verschiedene Kältemittel stattfindet. Schläuche oder Leitungen müssen so kurz wie möglich sein, um die Menge des darin enthaltenen Kältemittels zu minimieren.
- Behälter müssen aufrecht gestellt werden.
- Dafür sorgen, dass die Kälteanlage geerdet wird, bevor das Kältemittel eingefüllt wird.
- Nach Abschluss der Befüllung muss die Anlage gekennzeichnet werden (sofern nicht schon geschehen).
- Es muss besonders darauf geachtet werden, dass die Kälteanlage nicht überfüllt wird.

Vor dem Auffüllen der Anlage sollte diese mittels sauerstofffreiem Stickstoff druckgeprüft werden. Nach Abschluss der Befüllung und vor der Inbetriebnahme muss die Anlage auf Dichtheit geprüft werden. Vor dem Verlassen des Ortes muss ein anschließender Lecktest durchgeführt werden.

9. Außerbetriebnahme

Vor diesen Arbeiten ist es unerlässlich, dass sich der Techniker mit der Anlage und allen zugehörigen Details auskennt. Es gilt als gute Vorgehensweise, sämtliches Kältemittel sicher aufzufangen. Vor Ausführung der Arbeiten muss eine Öl- und Kältemittelprobe genommen werden, falls vor der Wiederverwertung des Kältemittels eine Analyse durchgeführt werden muss. Bevor die Arbeit aufgenommen wird, muss unbedingt elektrischer Strom vorhanden sein.

- a) Die Anlage und ihre Funktionsweise müssen bekannt sein.
- b) Anlage elektrisch trennen.
- c) Vor den Arbeiten folgende Punkte sicher stellen:
 - Mechanische Transportanlage steht zur Verfügung, sofern diese für den Umgang mit den Kältemittelbehältern notwendig werden;
 - Die gesamte persönliche Schutzausrüstung steht zur Verfügung und wird korrekt eingesetzt;
 - Die Rückgewinnung wird von einer fachkundigen Person stets überwacht;
 - Die Anlagen und Behälter für die Rückgewinnung entsprechen den jeweiligen Standards.
- d) Falls möglich, die Kältemittelanlage entlüften.
- e) Sollte der Unterdruck nicht möglich sein, einen Verteiler vorsehen, damit das Kältemittel an verschiedenen Stellen der Anlage entnommen werden kann.
- f) Daran denken, den Behälter auf eine Waage zu stellen, bevor die Rückgewinnung stattfindet.
- g) Die Rückgewinnungsanlage starten und nach Anweisungen des Herstellers einsetzen.
- h) Die Behälter nicht überfüllen. (Nicht mehr als 80 % des flüssigen Füllvolumens).
- i) Den maximalen Betriebsdruck des Behälters nicht überschreiten, auch nicht vorübergehend.
- j) Wenn die Behälter korrekt befüllt wurden und der Vorgang abgeschlossen ist, müssen die Behälter und die Anlage möglichst bald vom Standort entfernt werden. Alle Absperrventile an der Anlage müssen verriegelt sein.
- k) Das aufgefangene Kältemittel darf nicht in eine andere Kälteanlage gefüllt werden, es sei denn, diese wurde gereinigt und überprüft.

10. Kennzeichnung

An der Anlage muss eine Kennzeichnung angebracht werden, die auf die Außerbetriebnahme und Entleerung des Kältemittels hinweist. Die Kennzeichnung muss datiert und unterzeichnet werden. Darauf achten, dass Schilder an der Anlage auf das enthaltene zündfähige Kältemittel aufmerksam machen.

11. Wiederverwertung

Beim Entfernen von Kältemittel aus einer Anlage zwecks Wartung oder Außerbetriebnahme wird es als gute praktische Vorgehensweise empfohlen, sämtliches Kältemittel sicher zu entfernen. Beim Umfüllen von Kältemittel in Behälter ist sicher zu stellen, dass nur für die Wiederverwertung geeignete Behälter eingesetzt werden. Dafür sorgen, dass genügend Behälter zur Aufnahme der gesamten Anlagenbefüllung zur Verfügung stehen. Alle zu benutzenden Behälter sind für das wiederverwendete Kältemittel gekennzeichnet und beschriftet (z. B. Spezialbehälter für Kältemittelverwertung). Die Behälter müssen mit Überdruckventilen und geeigneten Absperrventilen in gutem Betriebszustand ausgestattet sein. Leere Wiederverwertungsbehälter werden entfernt und, sofern möglich, gekühlt, bevor die Wiederverwertung stattfindet. Die Wiederverwertungsanlage muss sich in einem guten Betriebszustand befinden. Die vollständigen Unterlagen zu der Anlage müssen griffbereit sein und die Anlage muss für die Wiederverwertung zündfähiger Kältemittel geeignet sein. Außerdem müssen mehrere Waagen zur Verfügung stehen und in gutem Zustand sein. Schläuche müssen vollständig mit dichten Kupplungsstücken zur Verfügung stehen und in gutem Zustand sein. Vor der Benutzung der

Wiederverwertungs-vorrichtung kontrollieren, ob sich diese in gutem Betriebszustand befindet, ordnungsgemäß instandgehalten wurde und ob alle zugehörigen elektrischen Komponenten versiegelt sind, um einen Zündvorgang zu verhindern, falls Kältemittel austritt. Im Zweifelsfall den Hersteller kontaktieren. Das abgefüllte Kältemittel muss im richtigen Auffangbehälter an den Kältemittel-Lieferanten zurückgeliefert werden. Dazu muss ein entsprechendes Altlasten-Transportavis ausgestellt sein. Kältemittel in Auffangbehältern und besonders in Fässern nicht vertauschen. Falls Kompressoren oder Kompressoröle entfernt werden müssen, ist dafür zu sorgen, dass diese bis zu einem geeigneten Maß aus der Anlage entfernt wurden, um sicher zu stellen, dass kein zündfähiges Kältemittel beim Schmierstoff verbleibt. Die Beseitigung muss ausgeführt werden, bevor der Kompressor an den Lieferanten zurückgesendet wird. Nur eine Elektroheizung am Kompressorgehäuse darf eingesetzt werden, um diesen Vorgang zu beschleunigen. Wenn Öl aus der Anlage abgelassen wird, muss dies sicher durchgeführt werden.

Fachkenntnisse des Wartungspersonals

Allgemeines

Eine besondere Schulung ist neben der üblichen Einweisung in die herkömmlichen Reparaturschritte für Kälteanlagen erforderlich, wenn es sich um Anlagen mit zündfähigen Kältemitteln handelt.

In vielen Ländern wird diese Schulung von nationalen Fortbildungsinstituten durchgeführt, die für die Unterweisung nach den einschlägigen nationalen und vom Gesetzgeber vorgeschriebenen Fachstandards akkreditiert sind.

Die erlangte Fachkompetenz muss durch ein Zertifikat nachgewiesen sein.

Schulung

Zum Schulungsumfang sollten folgende Themen gehören:

Informationen über das Explosionspotenzial zündfähiger Kältemittel, um deutlich zu machen, dass zündfähige Stoffe bei unachtsamer Handhabung gefährlich werden können.

Informationen über potenzielle Zündquellen, insbesondere solche, die nicht offensichtlich sind wie etwa Anzünder, Lichtschalter, Staubsauger, Elektroheizungen.

Informationen über die verschiedenen Sicherheitskonzepte:

Unbelüftet – Die Sicherheit einer Anlage hängt nicht von der Belüftung des Gehäuses ab. Das Abschalten des Geräts oder das Öffnen des Gehäuses beeinträchtigt die Sicherheit nicht erheblich. Es ist dennoch möglich, dass sich ausgetretenes Kältemittel im Gehäuse abgesetzt hat und dass beim Öffnen des Gehäuses eine zündfähige Atmosphäre freigesetzt wird.

Belüftetes Gehäuse – Die Sicherheit der Anlage hängt von der Belüftung des Gehäuses ab. Das Abschalten des Geräts oder das Öffnen des Gehäuses beeinträchtigt die Sicherheit erheblich. Auf eine ausreichende Belüftung sollte zuvor besonders geachtet werden.

Belüfteter Raum – Die Sicherheit der Anlage hängt von der Raumbelüftung ab. Das Abschalten des Geräts oder das Öffnen des Gehäuses beeinträchtigt die Sicherheit nicht erheblich. Die Belüftung des Raums darf während der Reparaturarbeiten nicht abgeschaltet werden.

Informationen über das Konzept versiegelter Komponenten und Gehäuse gemäß IEC 60079-15:2010.

Informationen über die richtigen Arbeitsmethoden:

a) Inbetriebnahme

- Sicher stellen, dass der Werkstattbereich für die Kältemittelfüllung ausreichend oder dass die Belüftungsleitung korrekt montiert wurde.
- Die Leitungen anschließen und einen Lecktest durchführen, bevor das Kältemittel eingefüllt wird.
- Vor der Inbetriebnahme die Sicherheitsausrüstung prüfen.

b) Wartung

- Tragbare Geräte müssen im Freien oder in einer Werkstatt repariert werden, die für die Reparatur von Anlagen mit zündfähigen Kältemitteln besonders ausgestattet ist.
- Am Ort der Reparatur auf eine ausreichende Belüftung achten.

- Daran denken, dass eine Störung der Anlage durch Kältemittelverlust verursacht sein kann und dass ein Kältemittelleck möglich ist.
 - Kondensatoren so entladen, dass sie keine Funken erzeugen. Bei der Standardmethode für das Entladen an den Kondensatoranschlüssen entstehen in der Regel Funken.
 - Versiegelte Gehäuse müssen präzise wieder zusammengebaut werden. Verschlossene Dichtungen austauschen.
 - Vor der Inbetriebnahme die Sicherheitsausrüstung prüfen.
- c) Reparatur
- Tragbare Geräte müssen im Freien oder in einer Werkstatt repariert werden, die für die Reparatur von Anlagen mit zündfähigen Kältemitteln besonders ausgestattet ist.
 - Am Ort der Reparatur auf eine ausreichende Belüftung achten.
 - Daran denken, dass eine Störung der Anlage durch Kältemittelverlust verursacht sein kann und dass ein Kältemittelleck möglich ist.
 - Kondensatoren so entladen, dass sie keine Funken erzeugen.
 - Falls Hartlötungen notwendig ist, müssen die folgenden Arbeitsschritte in der richtigen Reihenfolge ausgeführt werden:
 - Kältemittel entfernen. Falls eine Wiederverwertung nicht gesetzlich vorgeschrieben ist, das Kältemittel ins Freie ablassen. Dafür sorgen, dass das abgelassene Kältemittel keine Gefahren verursacht. Im Zweifelsfall sollte eine Person den Auslauf überwachen. Besonders darauf achten, dass abgelassenes Kältemittel nicht wieder in das Gebäude zurückströmt.
 - Den Kältemittelkreislauf entleeren.
 - Den Kältemittelkreislauf 5 Minuten lang mit Stickstoff spülen.
 - Danach erneut entleeren.
 - Auszutauschende Teile herausschneiden, ohne Flamme.
 - Die Hartlötstelle während des Lötvorgangs mit Stickstoff spülen.
 - Vor dem Einfüllen des Kältemittels einen Lecktest durchführen.
 - Versiegelte Gehäuse müssen präzise wieder zusammengebaut werden. Verschlossene Dichtungen austauschen.
 - Vor der Inbetriebnahme die Sicherheitsausrüstung prüfen.
- d) Außerbetriebnahme
- Wenn die Sicherheit bei der Außerbetriebnahme der Anlage beeinträchtigt ist, muss die Kältemittelbefüllung vor der Außerbetriebnahme entfernt werden.
 - Für ausreichende Belüftung am Anlagenstandort sorgen.
 - Daran denken, dass eine Störung der Anlage durch Kältemittelverlust verursacht sein kann und dass ein Kältemittelleck möglich ist.
 - Kondensatoren so entladen, dass sie keine Funken erzeugen.
 - Kältemittel entfernen. Falls eine Wiederverwertung nicht gesetzlich vorgeschrieben ist, das Kältemittel ins Freie ablassen. Dafür sorgen, dass das abgelassene Kältemittel keine Gefahren verursacht. Im Zweifelsfall sollte eine Person den Auslauf überwachen. Besonders darauf achten, dass abgelassenes Kältemittel nicht wieder in das Gebäude zurückströmt.
 - Den Kältemittelkreislauf entleeren.
 - Den Kältemittelkreislauf 5 Minuten lang mit Stickstoff spülen.
 - Danach erneut entleeren.
 - Bis zum Atmosphärendruck mit Stickstoff befüllen.
 - An der Anlage ein Schild anbringen, das auf das entfernte Kältemittel hinweist.
- e) Entsorgung
- Am Arbeitsort auf eine ausreichende Belüftung achten.
 - Kältemittel entfernen. Falls eine Wiederverwertung nicht gesetzlich vorgeschrieben ist, das Kältemittel ins

Freie ablassen. Dafür sorgen, dass das abgelassene Kältemittel keine Gefahren verursacht. Im Zweifelsfall sollte eine Person den Auslauf überwachen. Besonders darauf achten, dass abgelassenes Kältemittel nicht wieder in das Gebäude zurückströmt.

- Den Kältemittelkreislauf entleeren.
- Den Kältemittelkreislauf 5 Minuten lang mit Stickstoff spülen.
- Danach erneut entleeren.
- Den Kompressor herausschneiden und das Öl ablassen.

Transport, Kennzeichnung und Aufbewahrung von Anlagen, die zündfähige Kältemittel verwenden

Transport von Anlagen, die zündfähiges Kältemittel enthalten

Es wird darauf aufmerksam gemacht, dass zusätzliche Transportvorschriften für Anlagen mit zündfähigen Gasen vorhanden sein können. Die Höchstanzahl an Anlagenteilen oder die Konfiguration der Anlage, die zusammen transportiert werden dürfen, wird von den jeweils geltenden Transportvorschriften bestimmt.

Kennzeichnung der Anlage mittels Schildern

Schilder für ähnliche Anlagen, die generell in einem Arbeitsbereich eingesetzt werden, werden von örtlichen Vorschriften geregelt und legen die Mindestanforderungen an die Sicherheit und/oder an das Vorsehen von Warnschildern an einem Arbeitsort fest.

Alle vorgeschriebenen Schilder müssen instandgehalten werden. Arbeitgeber müssen dafür sorgen, dass die Mitarbeiter geeignete und ausreichende Anweisungen und Unterweisungen über die Bedeutung der jeweiligen Sicherheitsschilder und über die Maßnahmen erhalten, die in Verbindung mit diesen Schildern zu ergreifen sind. Die Wirkung der Schilder darf nicht durch ein Übermaß an Beschilderungen beeinträchtigt werden, die gemeinsam verwendet werden.

Alle verwendeten Piktogramme sollten so einfach wie möglich gehalten werden nur die wichtigsten Angaben enthalten.

Entsorgung von Anlagen mit zündfähigen Kältemitteln

Dazu wird auf die nationalen Vorschriften verwiesen.

Aufbewahrung von Anlagen/Geräten

Die Anlagen sollten den Herstelleranweisungen entsprechend aufbewahrt werden.

Aufbewahrung verpackter (nicht verkaufter) Anlagen

Der Schutz für verpackte Ware beim Einlagern sollte so konstruiert sein, dass mechanische Schäden an der Anlage in der Verpackung nicht zu einem Austreten von Kältemittel führen.

Die Höchstanzahl der Anlagen, die zusammen eingelagert werden dürfen, ist in den örtlichen Vorschriften vorgeschrieben.

CONSIGNES DE SÉCURITÉ

Avant d'utiliser l'appareil, lisez toutes les consignes suivantes pour éviter des blessures et des dommages, et pour optimiser les performances de votre appareil. Conservez cette notice d'utilisation dans un endroit sûr. Si vous donnez ou transférez cet appareil à un tiers, veillez à lui remettre également cette notice d'utilisation.

En cas de détérioration due au non-respect par l'utilisateur des instructions de cette notice d'utilisation, la garantie est annulée. Le fabricant/importateur rejette toute responsabilité en cas de dommages dus au non-respect des instructions de la notice d'utilisation, à un usage négligent ou à l'usage non conforme aux exigences de cette notice d'utilisation.

1. Lisez et conservez ces instructions. Attention: les images incluses dans le manuel d'instructions servent de référence seulement.
2. Cet appareil peut être utilisé par des enfants âgés de 8 ans et plus et les personnes ayant des capacités physiques, sensorielles ou mentales, ou un manque d'expérience et de connaissances si elles ont été formées et encadrées pour l'utilisation de cet appareil en toute sécurité et de comprendre la risques impliqués.
3. Les enfants ne doivent pas jouer avec l'appareil.
4. Le nettoyage et la maintenance ne doivent pas être effectués par des enfants sans surveillance.
5. Si le câble d'alimentation est endommagé, il doit être remplacé par le fabricant, son service après vente ou des personnes de qualification similaire afin d'éviter un danger.
6. Avant d'insérer la fiche de l'appareil dans une prise secteur, vérifiez que la tension et la fréquence du secteur correspondent aux spécifications indiquées sur la plaque signalétique.

7. Si vous utilisez une rallonge électrique, elle doit être appropriée à la puissance consommée par l'appareil, sinon la rallonge et/ou la fiche risquent de chauffer excessivement. Il existe un risque potentiel de blessures par trébuchement sur le cordon électrique. Prenez vos précautions pour éviter toute situation dangereuse.
8. Débranchez la fiche électrique de la prise électrique quand l'appareil n'est pas utilisé et avant de le nettoyer.
9. Veillez à ce que le cordon d'alimentation ne pende pas sur des arêtes coupantes et maintenez-le éloigné des objets chauds et des flammes nues.
10. N'immergez jamais l'appareil ou sa fiche dans de l'eau ni dans aucun autre liquide. Cela peut provoquer un choc électrique !
11. Pour débrancher la fiche de la prise, saisissez la fiche et tirez-la hors de la prise. Ne tirez pas sur le cordon d'alimentation.
12. Ne branchez pas et ne débranchez pas l'appareil de la prise électrique avec les mains mouillées.
13. N'essayez pas d'ouvrir le boîtier de l'appareil ni de réparer l'appareil vous-même. Cela peut provoquer un choc électrique.
14. Cet appareil n'est pas conçu pour un usage commercial. Utilisation en intérieur uniquement.
15. N'utilisez pas cet appareil à un usage autre que celui pour lequel il a été conçu.
16. N'enroulez pas le cordon d'alimentation autour de l'appareil et ne le pliez pas.
17. N'utilisez pas l'appareil dans une zone près d'une source inflammable ; où de l'huile est susceptible d'être éclaboussée ; où il serait exposé à la lumière directe du soleil ; où il risque d'être éclaboussé par de l'eau ; à proximité d'une baignoire, d'une laverie, d'une douche ou d'une piscine.
18. N'insérez jamais vos doigts ou des bâtons dans la sortie d'air. Prévenez particulièrement les enfants de ces dangers.

19. Gardez l'unité en position verticale pendant le transport et le stockage, car le compresseur doit rester droit.
20. Avant de nettoyer ou de déplacer l'appareil, éteignez et débranchez toujours le câble d'alimentation.
21. Pour éviter tout risque d'incendie, ne couvrez pas l'appareil.
22. L'appareil doit être installé conformément aux réglementations de câblage nationales.
23. Contactez un technicien autorisé pour la réparation ou l'entretien de cet appareil.
24. Ne tirez pas, ne déformez pas, ne modifiez pas le câble d'alimentation et ne l'immergez pas dans l'eau. Tirer ou mal utiliser le câble d'alimentation peut endommager l'appareil et provoquer un choc électrique.
25. La conformité aux réglementations nationales en matière de gaz doit être observée.
26. Les opérations de service doivent être uniquement réalisées selon les recommandations du fabricant. L'entretien et les réparations qui nécessitent l'assistance d'un autre personnel qualifié doivent être effectués sous la supervision d'une personne experte dans l'utilisation de réfrigérants inflammables.
27. N'éteignez pas l'appareil en tirant sur le câble d'alimentation car cela pourrait provoquer un choc électrique ou un incendie en raison de la chaleur générée.
28. Débranchez l'appareil si des sons étranges, une odeur ou de la fumée s'en échappent.
29. Branchez toujours l'appareil dans une prise de courant reliée à la terre.
30. N'utilisez pas de moyens pour accélérer le processus de dégivrage ou pour nettoyer l'appareil, autres que ceux recommandés par le fabricant.
31. L'appareil doit être rangé dans une pièce où il n'y a pas de sources d'inflammation à risque (comme par exemple, une flamme nue, un appareil à gaz en fonctionnement ou un appareil de chauffage électrique en marche).
32. Ne percez pas et ne brûlez pas l'appareil.

33. Sachez que les réfrigérants peuvent ne pas émettre d'odeur.
34. Si l'appareil est installé, utilisé ou stocké dans une zone non ventilée, la pièce doit être conçue de manière à prévenir l'accumulation de fuites de réfrigérant pouvant entraîner un risque d'incendie ou d'explosion dû à l'inflammation du réfrigérant provoquée par des radiateurs électriques, des cuisinières ou d'autres sources d'inflammation.
35. L'appareil doit être rangé de manière à éviter les pannes mécaniques.
36. Cet appareil contient du gaz réfrigérant R290. R290 est un gaz réfrigérant conforme aux directives européennes sur l'environnement. Ne percez aucune partie du circuit du réfrigérant.
37. Les personnes qui travaillent ou interviennent sur le circuit frigorifique doivent avoir la certification appropriée délivrée par un organisme accrédité garantissant la compétence en matière de manipulation des frigorigènes conformément à une évaluation spécifique reconnue par les associations du secteur.
38. Concernant les instructions de réparation des appareils contenant du R290, veuillez vous reporter aux paragraphes ci-dessous.
39. Afin d'éviter tout dommage, laissez l'appareil en position debout pendant au moins 2 heures avant de commencer à l'utiliser.



Avertissement : Risque d'incendie / Matériaux inflammables.



Lisez le manuel d'instructions.



Manuel de l'opérateur ; mode d'emploi.



Indications sur les réparations ; lisez le manuel technique.

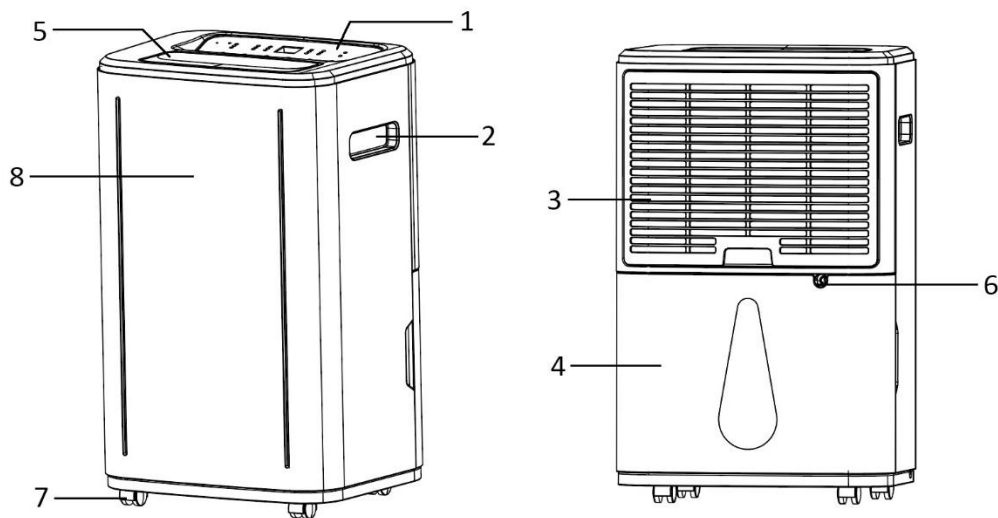
Avertissement : Maintenez les orifices de ventilation dégagés de tout obstacle.

Avertissement : L'appareil doit être rangé dans une zone bien ventilée où la taille de la pièce correspond à celle spécifiée pour le fonctionnement.

Toute procédure de travail qui affecte les moyens de sécurité ne doit être effectuée que par des personnes compétentes. La distance requise autour de l'appareil doit être d'au moins 30 cm.

L'appareil doit être installé, utilisé et rangé dans une pièce dont la surface au sol est supérieure à 4 m².

DESCRIPTION DES PIÈCES



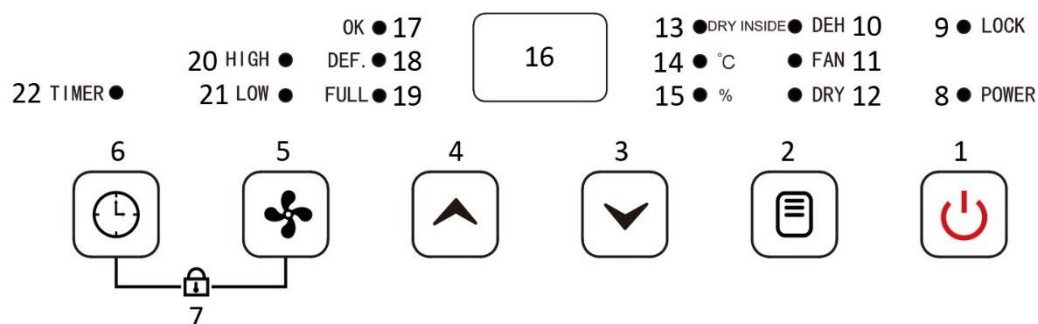
1. Panneau de commande
2. Poignée
3. Entrée d'air et filtre
4. Bac de récupération d'eau
5. Sortie d'air (avec couvercle)
6. Sortie d'évacuation en continu
7. Roulettes
8. Affichage des indications

Important ! Le cordon d'alimentation est rangé dans le réservoir d'eau pour éviter tout dommage pendant le transport. Veuillez suivre les étapes ci-dessous pour libérer le cordon d'alimentation avant de l'utiliser.

- 1) Tirez un peu sur le réservoir d'eau pour faire sortir une partie du cordon d'alimentation.
- 2) Sortez maintenant complètement le réservoir d'eau.
- 3) Ouvrez le couvercle du réservoir sur le côté droit pour sortir le cordon d'alimentation du réservoir d'eau.
- 4) Remettez le réservoir d'eau à sa place.



PANNEAU DE COMMANDE



1. Bouton marche/mise en veille
2. Bouton de mode
3. Bouton de réglage décroissant
4. Bouton de réglage croissant
5. Bouton de réglage de la vitesse de ventilation
6. Bouton de la minuterie
7. Boutons indicateurs de la fonction de verrouillage sécurité-enfant
8. Voyant d'alimentation
9. Témoin lumineux de la fonction de verrouillage sécurité-enfant
10. Témoin lumineux du mode de déshumidification
11. Témoin lumineux du mode de ventilation
12. Témoin lumineux du mode de séchage du linge
13. Témoin lumineux de fonction côté sec
14. Témoin lumineux d'affichage de la température
15. Témoin lumineux d'affichage de l'humidité
16. Affichage numérique
17. Témoin lumineux indiquant que l'humidité cible est atteinte
18. Témoin lumineux de la fonction de dégivrage
19. Témoin lumineux de bac de récupération d'eau plein (Il s'allume également lorsque le bac de récupération d'eau n'est pas bien en place.)
20. Témoin lumineux de vitesse de ventilation élevée
21. Témoin lumineux de vitesse de ventilation faible
22. Témoin lumineux de la minuterie

AVANT LA PREMIÈRE UTILISATION

- Afin d'éviter tout dommage, laissez l'appareil en position debout pendant au moins 24 heures avant de commencer à l'utiliser.
- Après l'avoir enlevé de l'emballage, vérifiez que l'appareil est en bon état.
- Ne laissez pas les enfants jouer avec les emballages. Risque d'étouffement.

L'appareil doit être installé sur une surface plane où l'entrée d'air/la sortie d'air ne sont pas bloquées. La distance requise autour de l'unité doit être d'au moins 30 cm. Par souci d'économie d'énergie, gardez les fenêtres et les portes fermées lorsque l'appareil fonctionne.

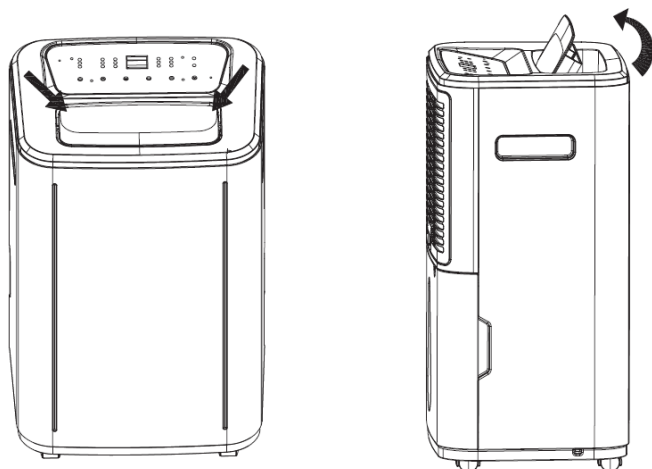
Remarque : Si le déshumidificateur reçoit des interférences d'appareils électriques voisins, tels que la télévision et le lecteur de radio-cassette, veillez à conserver une distance de plus de 70 cm avec ces appareils.

UTILISATION

Branchez l'appareil. Un bip retentit. L'appareil est en mode de veille. Le voyant d'alimentation est allumé.

Bouton marche/mise en veille :

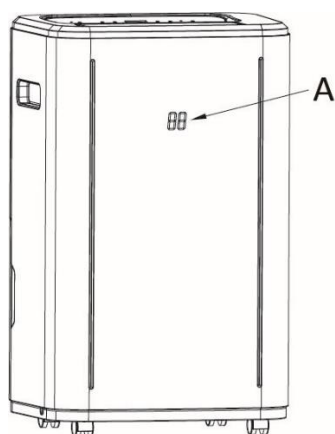
Appuyez sur le bouton marche/mise en veille pour allumer l'appareil. Ouvrez le couvercle de la sortie d'air manuellement. Le voyant d'alimentation reste allumé. Appuyez de nouveau sur le bouton, l'appareil basculera en mode veille.



Bouton de sélection du mode

Appuyez sur le bouton Mode pour sélectionner le mode souhaité : mode déshumidification, mode ventilation ou mode séchage du linge.

1. Mode déshumidification : le témoin lumineux « DEH » s'allume. La vitesse du ventilateur peut être permutée entre faible et forte. L'humidité peut être réglée entre 35-85% HR ou réglée sur « CO » (Continu). Appuyez sur le bouton « ▲ » / « ▼ » pour régler le paramètre. L'affichage numérique indique le réglage de l'humidité.
 - 1) Lorsque l'humidité ambiante > humidité réglée + 3%, le compresseur commence à fonctionner et le ventilateur continue à tourner à la vitesse réglée.
Lorsque l'humidité ambiante < humidité réglée - 3%, le compresseur s'arrête de fonctionner et le ventilateur passe automatiquement en vitesse faible.
Lorsque l'humidité programmée - 3% ≤ humidité ambiante ≤ humidité programmée + 3%, le compresseur continue de fonctionner et le ventilateur continue de tourner à la vitesse programmée.
 - 2) Lorsque l'humidité ambiante n'atteint pas l'humidité définie, le témoin lumineux « OK » du panneau de commande s'éteint. Lorsque l'humidité ambiante atteint l'humidité définie, le témoin lumineux « OK » s'allume.
 - 3) L'écran d'affichage (A) situé à l'avant de l'appareil affiche 3 couleurs en fonction de l'humidité ambiante. Il s'affiche en rouge lorsque l'humidité ambiante est supérieure à 65 % HR, en vert lorsque l'humidité ambiante est comprise entre 45 % HR et 65 % HR et en bleu lorsque l'humidité ambiante est inférieure à 45 % HR.



- 4) Lorsque l'humidité définie est « CO », le compresseur fonctionne en continu sans limitation de l'humidité définie et la vitesse du ventilateur est réglable. L'écran numérique affiche « CO ».
2. Mode de ventilation : le témoin lumineux « FAN » s'allume. Le compresseur ne fonctionne pas ; la vitesse du ventilateur peut être permutée entre faible et forte. L'humidité ne peut pas être réglée et l'humidité ambiante (30~90 % HR) s'affiche sur l'écran numérique .
3. Mode de séchage du linge : le témoin lumineux « DRY » s'allume. Le compresseur fonctionne en continu. La vitesse du ventilateur ne peut pas être réglée et l'appareil fonctionne par défaut à une vitesse forte. L'humidité ne peut pas être réglée et l'humidité ambiante (30~90 % HR) est indiquée sur l'affichage numérique.

Remarque : Pour éteindre l'appareil en mode déshumidification ou en mode séchage du linge, le moteur du ventilateur s'éteint après un délai de 1 minute.

Boutons de réglage d'augmentation / diminution

1. Appuyez sur le bouton « ▲ » pour augmenter le réglage de l'humidité ou du minuteur. Appuyez sur le bouton « ▼ » pour diminuer le réglage de l'humidité ou du minuteur.
2. Lorsque l'humidité ambiante est > 65 %HR, vous pouvez appuyer sur le bouton « ▼ » et le maintenir enfoncé pendant 3 secondes pour activer la fonction d'élimination des moisissures (fonction « dry inside »). Le témoin lumineux « DRY INSIDE » s'allume. Cette fonction n'est disponible que pour le mode déshumidification et le mode séchage du linge. Appuyez à nouveau sur ce bouton pendant 3 secondes pour désactiver la fonction.

Remarque : Si cette fonction a été sélectionnée et que l'appareil est éteint ultérieurement, le moteur du ventilateur s'éteint après un délai de 5 minutes.

3. Appuyez sur les boutons « ▲ » et « ▼ » en même temps pour vérifier la température ambiante sur l'affichage numérique. L'affichage durera environ 10 secondes.

Bouton de vitesse du ventilateur

1. Appuyez sur le bouton de vitesse du ventilateur pour sélectionner la vitesse faible ou forte du ventilateur. Le témoin lumineux correspondant s'allume.
2. Appuyez et maintenez le bouton de vitesse du ventilateur pendant trois secondes pour éteindre ou allumer l'affichage d'indication. Lorsque l'affichage est éteint, le panneau de commande s'éteint dans les 5 secondes si aucune autre opération n'est effectuée.

Bouton du minuteur

Réglage du minuteur de mise en marche :

- Lorsque l'appareil est en veille, appuyez sur le bouton « TIMER » et le témoin lumineux correspondant du minuteur s'allumera.
- Appuyez sur les boutons « ▲ » / « ▼ » pour sélectionner l'heure de mise en marche souhaitée entre 0 et 24 heures. La valeur clignote sur l'affichage numérique et le réglage est effectif au bout de 5 secondes environ.
- L'appareil se met automatiquement en marche une fois la durée réglée écoulée.

Réglage du minuteur d'arrêt :

- Lorsque l'appareil est en marche appuyez sur le bouton « TIMER » et le témoin lumineux correspondant du minuteur s'allumera.
- Appuyez sur les boutons « ▲ » / « ▼ » pour sélectionner l'heure d'arrêt souhaitée entre 0 et 24 heures. La valeur clignote sur l'affichage numérique et le réglage est effectif au bout de 5 secondes environ. L'écran numérique revient à l'affichage de l'humidité.
- L'appareil s'arrêtera automatiquement une fois que le temps réglé est écoulé.

Remarque : Appuyez à nouveau sur le bouton « TIMER » pour vérifier le temps restant. Appuyez de nouveau sur le bouton « TIMER » et la fonction de minuteur sera annulée.

Fonction de verrouillage sécurité-enfant

Appuyez simultanément sur le bouton du minuteur et sur le bouton de la vitesse du ventilateur pour activer la fonction de verrouillage sécurité-enfant. Le témoin lumineux « LOCK » s'allume et tous les boutons du panneau de commande seront bloqués. Appuyez à nouveau simultanément sur le bouton du minuteur et sur le bouton de la vitesse du ventilateur pour désactiver la fonction de verrouillage sécurité-enfant.

Fonction de dégivrage

L'appareil entre automatiquement en fonction de dégivrage. Le témoin lumineux « DEF.» s'allume et le compresseur s'arrête de fonctionner. Une fois le dégivrage terminé, le témoin lumineux « DEF.» s'éteint et le compresseur recommence à fonctionner.

Remarque :

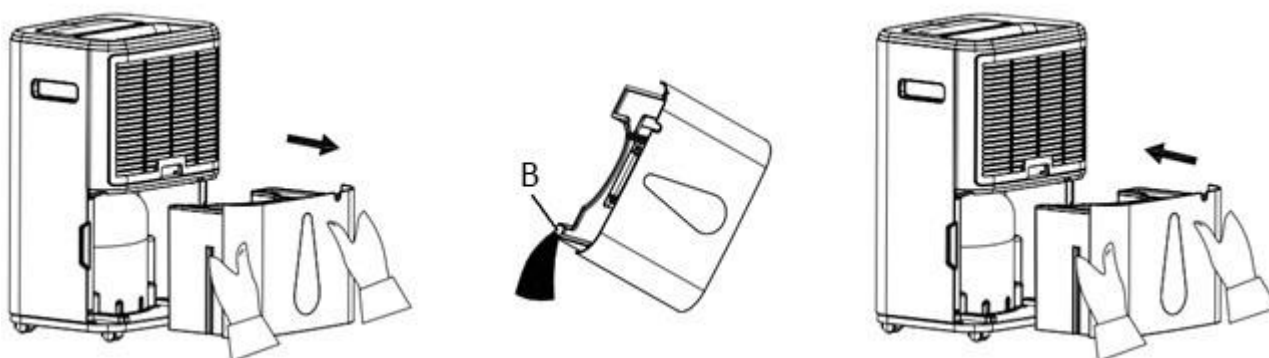
1. La plage d'affichage de l'humidité ambiante est de 30~90 % HR (humidité ambiante \leq 30 %, affichage 30 % ; humidité ambiante \geq 90 %, affichage 90 %). La température ambiante de fonctionnement de cet appareil est de 5~32°C, et l'humidité ambiante de fonctionnement est de 10~95 % HR.
2. Le compresseur est doté d'une fonction de protection par retard de trois minutes. Lorsque le compresseur fonctionne et que l'alimentation est coupée accidentellement, le compresseur ne redémarrera pas immédiatement après avoir été rallumé. Il commencera à fonctionner dans les 3 minutes.

ÉVACUATION DE L'EAU COLLECTÉE

Lorsque le bac de récupération d'eau est plein, le témoin lumineux du bac de récupération d'eau plein s'allume. « FL » clignotera sur l'affichage numérique. L'appareil s'arrête automatiquement et un bip retentit 5 fois pour avertir l'utilisateur que le bac de récupération d'eau nécessite d'être vidé.

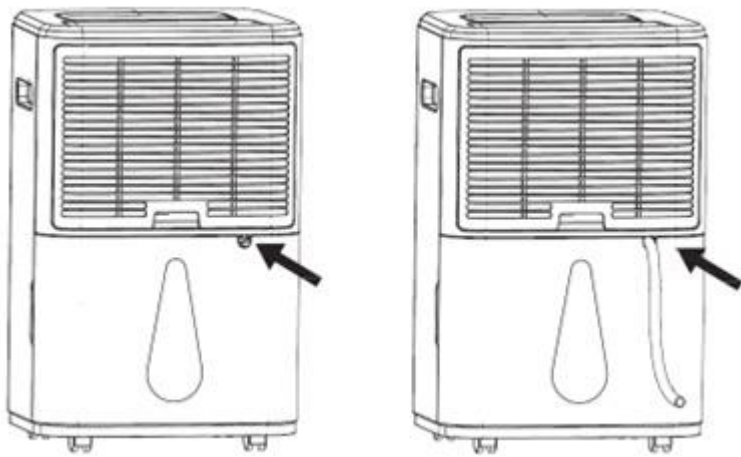
Vidage du bac de récupération d'eau

1. Tirez doucement le bac de récupération d'eau en tenant la partie concave des deux côtés.
2. Jetez l'eau collectée, par le trou de vidange (B).
3. Réinstallez le bac de récupération d'eau en le poussant horizontalement et doucement. La poignée du couvercle du bac de récupération d'eau doit reposer à plat.



Évacuation d'eau en continu

Branchez le tuyau en plastique fourni à la sortie d'évacuation en continu, et l'eau condensée sera évacuée en continu par cette sortie au lieu d'être collectée dans le bac de récupération d'eau. Assurez-vous que le tuyau est installé en descente pour permettre à l'eau de s'écouler en continu.



NETTOYAGE ET ENTRETIEN

L'appareil doit être régulièrement nettoyé pour prolonger sa durée de vie et pour qu'il continue à fonctionner correctement.

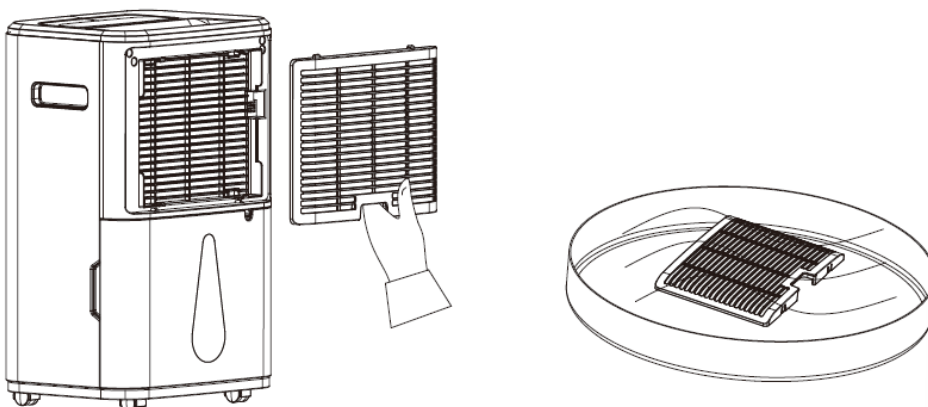
Avertissement : Avant toute opération de nettoyage, éteignez l'appareil et débranchez-le afin d'éviter les chocs électriques. N'utilisez pas d'eau chaude ou de produits chimiques pour le nettoyage.

1. Nettoyez régulièrement le bac de récupération d'eau avec de l'eau froide ou de l'eau chaude et essuyez-le avec un chiffon doux afin d'éviter la formation de moisissure.
2. Nettoyez la surface de l'appareil à l'aide d'un chiffon humide. N'utilisez pas de détergents ou d'éponges abrasives pouvant endommager la surface plastique.
3. Nettoyez le filtre comme décrit dans la section suivante.
4. Avant toute période de non-utilisation prolongée :
 - 1) Videz et séchez le bac de récupération d'eau, puis remettez-le en place.
 - 2) Nettoyez le filtre.
 - 3) Posez l'appareil en position debout et évitez l'exposition à la lumière directe du soleil.

Filtre

Il y a un filtre situé à l'arrière de l'appareil qui doit être retiré et nettoyé régulièrement. La capacité de déshumidification peut diminuer lorsque le filtre est obstrué.

- Retirez le filtre par le bas pour l'enlever de l'appareil et le placer dans l'eau propre.
- Il est recommandé de le laver au moins une fois toutes les deux semaines d'utilisation continue.
- Si le filtre n'est pas sale, il suffit d'aspirer la poussière.
- Si le filtre est sale, lavez-le avec de l'eau froide ou de l'eau tiède ne dépassant pas 40 degrés ; n'utilisez pas de solvants chimiques ni d'eau chaude.
- Séchez bien le filtre avant de le ré-assembler.



Remarque :

Afin d'éviter que le filtre ne se déforme, il doit être séché à l'air libre naturellement après le nettoyage. N'utilisez jamais de sèche-linge ou de chauffage d'aucune sorte. N'utilisez pas d'alcool, d'essence, de benzène ou d'autres solvants chimiques pour nettoyer le filtre.

GUIDE DE DÉPANNAGE

Statut	Raison possible	Solutions
Air chaud	L'air du déshumidificateur passe par l'unité de récupération de la température intérieure, l'air chaud est donc évacué (pas de fonction de refroidissement).	Il ne s'agit pas d'un dysfonctionnement.
Le déshumidificateur ne fonctionne pas	La fiche d'alimentation est-elle débranchée ?	Insérez la fiche d'alimentation dans la prise.
	Le réservoir d'eau est-il plein ? Ou le réservoir d'eau est-il mal placé ?	Videz l'eau stagnante dans le réservoir et remplacez le réservoir dans la bonne position.
La fonction de déshumidification ne fonctionne pas	La température ou l'humidité de la pièce est-elle trop faible ?	Pendant la saison sèche, la capacité de déshumidification du déshumidificateur sera réduite.
	Les sorties ou entrées d'air sont-elles obstruées ?	Nettoyez les éléments qui bloquent la sortie ou l'entrée d'air.
Pas de vent	Le filtre à air est-il obstrué ?	Nettoyez le filtre à air.
Trop de bruit lorsque la machine est en marche	La machine est-elle mal placée de sorte qu'elle est inclinée ou instable ?	Veuillez éviter d'utiliser la machine sur un sol instable.
	Le filtre à air est-il obstrué ?	Nettoyez le filtre à air.

DONNÉES TECHNIQUES

Capacité de déshumidification (30°C, 80 % HR)	30 L / jour
Capacité de déshumidification (27°C, 60 % HR)	16 L / jour
Tension nominale	CA 220-240 V
Fréquence nominale	50 Hz
Puissance nominale	420 W
Courant nominal	1,9 A
Réfrigérant	R290 / 74 g

GARANTIE ET SERVICE APRÈS-VENTE

Nos appareils sont soumis à un contrôle de qualité strict avant d'être livrés. Si l'appareil a toutefois été endommagé lors de la production ou du transport en dépit des soins que nous lui donnons, retournez l'appareil au vendeur. En plus des droits juridiques, le client a la possibilité dans les limites de la garantie de déposer les réclamations suivantes:

Nous offrons une garantie de 2 ans pour l'appareil acheté à partir de la date de vente. En cas de produit défectueux, vous pouvez retourner directement au point de vente.

Les défauts dus à une utilisation non conforme de l'appareil et les dommages dus à une intervention ou réparation faite par une tierce personne ou dus à l'installation de pièces qui ne sont pas d'origine ne sont pas couverts par cette garantie. Conservez toujours votre reçu, car sans celui-ci vous ne pourrez réclamer aucune sorte de garantie. Les dommages causés par le non respect des instructions de ce manuel rendront la garantie caduque, nous déclinons toute responsabilité en cas de dommages indirects. Nous déclinons toute responsabilité en cas de dégâts matériels ou de dommages corporels causés par une utilisation inappropriée ou si les instructions de sécurité n'ont pas été convenablement observées. Si les accessoires sont endommagés, cela ne signifie pas que toute la machine sera remplacée gratuitement. Dans de tels cas, veuillez contacter notre assistance. Des pièces brisées en verre ou en plastique sont toujours sujettes à des frais. Les défauts des consommables ou des pièces susceptibles de s'user, ainsi que le nettoyage, l'entretien ou la réparation desdites pièces ne sont pas couverts par la garantie et doivent donc être payés.

APPAREIL RESPECTUEUX DE L'ENVIRONNEMENT



Recyclage – Directive européenne 2012/19/EU

Ce symbole indique que le produit ne doit pas être jeté avec les ordures ménagères. Pour limiter les risques pour l'environnement et la santé entraînés par le rejet non contrôlé des déchets, recyclez ce produit pour promouvoir une réutilisation responsable de ses matériaux. Pour recycler votre produit, utilisez les réseaux de collecte de votre région ou prenez contact avec le revendeur du produit. Ce dernier pourra vous aider à le recycler.

Emerio B.V.
Oudeweg 115
2031 CC Haarlem
The Netherlands

Customer service:
T: +31 (0) 23 3034369
www.emerio.eu/service

Kundeninformation:
T: +49 (0) 3222 1097 600
www.emerio.eu/service

Klantenservice:
T: +31 (0) 23 3034369
www.emerio.eu/service

Looking for spare parts? Have a look at www.spareparts.emerio.eu
Sie brauchen Ersatzteile? Besuchen Sie www.ersatzteile.emerio.eu
Onderdelen nodig? Kijk op www.onderdelen.emerio.eu

INSTRUCTIONS POUR LA RÉPARATION DES APPAREILS CONTENANT DU R290

1. Réparation

1) Vérifications de la zone

Avant de commencer à travailler sur des systèmes contenant des frigorigènes inflammables, des contrôles de sécurité sont nécessaires pour réduire au minimum le risque d'inflammation. Pour réparer le système de réfrigération, les précautions suivantes doivent être respectées avant de procéder à des travaux sur le système.

2) Procédure de travail

Les travaux doivent être effectués selon une procédure contrôlée, de manière à minimiser le risque de présence de gaz ou de vapeurs inflammables pendant l'exécution des travaux.

3) Zone de travail général

Tout le personnel de maintenance et les autres personnes travaillant dans la zone concernée doivent être informés de la nature des travaux effectués. Les travaux dans des espaces confinés doivent être évités. La zone autour de l'espace de travail doit être divisée. Assurez-vous que les conditions dans la zone ont été sécurisées par le contrôle des matériaux inflammables.

4) Vérification de la présence de réfrigérant

La zone doit être vérifiée avec un détecteur de réfrigérant approprié avant et pendant le travail, afin de s'assurer que le technicien est conscient des atmosphères potentiellement inflammables. Assurez-vous que l'équipement de détection de fuite utilisé est adapté aux fluides frigorigènes inflammables, c'est-à-dire qu'il ne produit pas d'étincelles, qu'il est correctement scellé ou qu'il est intrinsèquement sûr.

5) Présence d'extincteur

Si des travaux à chaud doivent être effectués sur l'équipement de réfrigération ou sur toute pièce associée, un équipement d'extinction d'incendie approprié doit être à disposition. Installez un extincteur à poudre sèche ou à CO₂ à proximité de la zone de chargement.

6) Aucune source d'inflammation

Aucune personne effectuant des travaux en relation avec un système de réfrigération impliquant l'exposition de tuyauteries contenant ou ayant contenu un réfrigérant inflammable ne doit utiliser une source d'inflammation susceptible de provoquer un incendie ou une explosion. Toutes les sources d'inflammation possibles, y compris une cigarette allumée, doivent être suffisamment éloignées du lieu d'installation, de réparation, de retrait et d'élimination, pendant lesquelles un réfrigérant inflammable peut éventuellement être rejeté dans l'espace environnant. Avant le début des travaux, la zone autour de l'équipement doit être inspectée pour s'assurer qu'il n'y a pas de danger d'inflammabilité ou de risque d'inflammation. Des panneaux «Interdiction de fumer» doivent être affichés.

7) Zone ventilée

Assurez-vous que la zone est à l'air libre ou qu'elle est correctement ventilée avant de pénétrer dans le système ou d'effectuer des travaux à chaud. Une certaine ventilation doit être maintenue pendant la durée des travaux. La ventilation doit disperser en toute sécurité tout fluide réfrigérant libéré et de préférence l'expulser vers l'extérieur dans l'atmosphère.

8) Contrôles de l'équipement de réfrigération

Lorsque des composants électriques sont remplacés, ils doivent être adaptés à l'usage prévu et aux spécifications appropriées. Les directives du fabricant en matière de maintenance et d'entretien doivent être suivies à tout moment. En cas de doute, consultez le service technique du fabricant.

Les contrôles suivants doivent être appliqués aux installations utilisant des réfrigérants inflammables :

- La taille de la charge est conforme à la taille de la pièce dans laquelle les pièces contenant le réfrigérant sont installées ;
- Les machines de ventilation et les sorties d'air fonctionnent correctement et ne sont pas obstrués ;
- Si un circuit de réfrigération indirect est utilisé, le circuit secondaire doit être vérifié pour la présence de réfrigérant ;

- Le marquage sur l'équipement continue d'être visible et lisible. Les marques et signes illisibles doivent être corrigés ;
- Les tuyaux ou composants de réfrigération sont installés dans une position où ils ne risquent pas d'être exposés à une substance susceptible de corroder les composants contenant du fluide frigorigène, à moins que les composants ne soient construits avec des matériaux présentant une résistance inhérente à la corrosion ou une protection adéquate contre la corrosion.

9) Contrôles des appareils électriques

La réparation et la maintenance des composants électriques doivent inclure les contrôles de sécurité initiaux et les procédures d'inspection des composants. S'il existe un défaut susceptible de compromettre la sécurité, aucune alimentation électrique ne doit être connectée au circuit jusqu'à ce que le problème soit résolu de manière satisfaisante. Si le défaut ne peut pas être corrigé immédiatement mais qu'il est nécessaire de poursuivre le fonctionnement, une solution temporaire adéquate doit être utilisée. Cela doit être signalé au propriétaire de l'équipement afin que toutes les parties soient informées. Les contrôles de sécurité initiaux doivent inclure :

- que les condensateurs soient déchargés : cela doit être fait de manière sûre pour éviter toute possibilité d'étincelle ;
- qu'il n'y a pas de composants électriques et de câbles sous tension qui soient exposés lors du chargement, de la récupération ou de la purge du système ;
- Qu'il existe une continuité de la mise à la terre.

2. Réparations des composants scellés

- 1) Pendant les réparations des composants scellés, toutes les alimentations électriques doivent être débranchées de l'équipement utilisé avant l'enlèvement des couvercles scellés, etc. S'il est absolument nécessaire d'avoir une alimentation électrique de l'équipement pendant la procédure d'entretien, un système permanent de détection de fuite doit être situé au point le plus critique pour avertir d'une situation potentiellement dangereuse.
- 2) Une attention particulière doit être portée aux points suivants afin de garantir que le travail sur les composants électriques ne modifie pas le boîtier de manière à ne pas nuire à la protection. Cela inclut les dommages sur les câbles, le nombre excessif de connexions, les bornes non conformes aux spécifications d'origine, les dommages sur les joints d'étanchéité, le mauvais montage des presse-étoupes, etc.

Assurez-vous que l'appareil est bien monté. Assurez-vous que les joints ou les matériaux d'étanchéité ne se sont pas dégradés de telle sorte qu'ils ne servent plus à empêcher la pénétration d'atmosphères inflammables. Les pièces de rechange doivent être conformes aux spécifications du fabricant.

REMARQUE : L'utilisation d'un produit d'étanchéité à base de silicone peut nuire à l'efficacité de certains types d'équipement de détection de fuites. Les composants de sécurité intrinsèque ne doivent pas nécessairement être isolés avant de travailler dessus.

3. Réparation des composants à sécurité intrinsèque

N'appliquez pas de charges inductives ou capacitatives permanentes sur le circuit sans vous assurer que cela ne dépassera pas la tension et le courant admissibles pour l'équipement utilisé. Les composants à sécurité intrinsèque sont les seuls types sur lesquels on peut travailler tout en étant dans une atmosphère inflammable. L'appareil d'essai doit avoir les spécifications correctes. Remplacez les composants uniquement par des pièces spécifiées par le fabricant. D'autres pièces peuvent provoquer l'inflammation du réfrigérant dans l'atmosphère par une fuite.

4. Câblage

Vérifiez que le câblage ne sera pas soumis à l'usure, à la corrosion, à une pression excessive, aux vibrations, aux arêtes vives ou à tout autre effet nuisible. Le contrôle doit également prendre en compte les effets du vieillissement ou des vibrations continues provenant de sources telles que les compresseurs ou les ventilateurs.

5. Détection de réfrigérants inflammables

En aucun cas, des sources d'inflammation potentielles ne doivent être utilisées pour rechercher ou détecter des fuites de réfrigérant. Une torche aux halogénures (ou tout autre détecteur utilisant une flamme nue) ne doit pas être utilisée.

6. Méthodes de détection de fuite

Les méthodes de détection des fuites suivantes sont jugées acceptables pour les systèmes contenant des frigorigènes inflammables.

Des détecteurs de fuites électroniques doivent être utilisés pour détecter les réfrigérants inflammables, mais la sensibilité peut ne pas être adéquate ou nécessiter un réétalonnage. (L'équipement de détection doit être étalonné dans une zone sans réfrigérant). Assurez-vous que le détecteur n'est pas une source potentielle d'inflammation et qu'il convient au réfrigérant utilisé. L'équipement de détection des fuites doit être réglé sur un pourcentage de la LF du réfrigérant et doit être étalonné sur le réfrigérant utilisé et le pourcentage de gaz approprié (25% maximum) confirmé. Les fluides de détection des fuites peuvent être utilisés avec la plupart des réfrigérants, mais l'utilisation de détergents contenant du chlore doit être évitée car le chlore peut réagir avec le réfrigérant et corroder les conduites en cuivre. Si une fuite est suspectée, toutes les flammes nues doivent être retirées / éteintes. Si une fuite de réfrigérant nécessitant un brasage est détectée, tout le réfrigérant doit être récupéré du système ou isolé (au moyen de vannes d'arrêt) dans une partie du système éloignée de la fuite. L'azote exempt d'oxygène (OFN) doit ensuite être purgé à travers le système avant et pendant le processus de brasage.

7. Retrait et évacuation

Lorsque vous accédez au circuit de fluide frigorigène pour effectuer des réparations - ou à toute autre fin - utilisez les procédures classiques. Cependant, il est important que les meilleures pratiques soient suivies car l'inflammabilité est dangereuse. La procédure suivante doit être respectée :

- Retirez le réfrigérant ;
- Purgez le circuit avec un gaz inerte ;
- Évacuez ;
- Purgez à nouveau avec un gaz inerte ;
- Ouvrez le circuit en coupant ou en brasant.

La charge de réfrigérant doit être récupérée dans les bouteilles de récupération adaptées. Le système doit être « vidé » avec de l'azote sans oxygène pour rendre l'unité sûre. Ce processus peut avoir besoin d'être répété plusieurs fois. L'air comprimé ou l'oxygène ne doit pas être utilisé pour cette tâche. Le rinçage doit être réalisé en rompant le vide dans le système avec de l'azote sans oxygène et en continuant à le verser jusqu'à atteindre la pression de fonctionnement, puis en le relâchant dans l'atmosphère et en le tirant finalement vers le vide. Ce processus doit être répété jusqu'à ce qu'il n'y ait plus de réfrigérant dans le système. Lorsque la dernière charge d'azote sans oxygène est utilisée, le système doit être purgé à la pression atmosphérique pour permettre le travail. Cette opération est absolument essentielle pour que des opérations de brasage sur la tuyauterie aient lieu. Assurez-vous que la sortie de la pompe à vide ne se trouve pas à proximité de sources d'inflammation et qu'il existe une ventilation.

8. Procédures de charge

En plus des procédures de charge conventionnelles, les exigences suivantes doivent être suivies.

- Assurez-vous que les différents réfrigérants ne soient pas contaminés lors de l'utilisation d'un équipement de charge. Les tuyaux ou les conduites doivent être aussi courts que possible pour minimiser la quantité de réfrigérant qu'ils contiennent.
- Les bouteilles doivent être maintenues verticales.
- Assurez-vous que le système de réfrigération est mis à la terre avant de le charger en réfrigérant.

- Étiquetez le système lorsque le chargement est terminé (si ce n'est déjà fait).
- Un soin extrême doit être pris pour ne pas trop remplir le système de réfrigération.

Avant de recharger le système, il doit être testé sous pression avec de l'azote sans oxygène. Le système doit être soumis à un test d'étanchéité à la fin du chargement mais avant la mise en service. Un contrôle d'étanchéité doit être effectué avant de quitter le site.

9. Mise hors service

Avant d'effectuer cette procédure, il est essentiel que le technicien connaisse parfaitement l'équipement et tous ses détails. Il est recommandé, conformément aux bonnes pratiques, de récupérer tous les réfrigérants en toute sécurité. Avant l'exécution de la tâche, un échantillon d'huile et de fluide frigorigène doit être prélevé au cas où une analyse serait nécessaire avant la réutilisation du fluide frigorigène récupéré. Il est essentiel que l'alimentation électrique soit disponible avant le début de la tâche.

- a) Familiarisez-vous avec l'équipement et son fonctionnement.
- b) Isolez le système électriquement.
- c) Avant de tenter la procédure, assurez-vous que :
 - Un équipement de manutention mécanique est disponible, si nécessaire pour la manipulation des bouteilles de réfrigérant ;
 - Tous les équipements de protection individuelle sont disponibles et utilisés correctement.
 - Le processus de récupération est supervisé à tout moment par une personne compétente.
 - L'équipement de récupération et les bouteilles sont conformes aux normes appropriées.
- d) Pompez le système de réfrigérant, si possible.
- e) Si faire le vide n'est pas possible, créez un collecteur de sorte que le réfrigérant puisse être éliminé de différentes parties du système.
- f) Assurez-vous que la bouteille est située sur la balance avant la récupération.
- g) Démarrez la machine de récupération et opérez conformément aux instructions du fabricant.
- h) Ne remplissez pas trop les bouteilles. (Pas plus de 80% du volume de charge liquide).
- i) Ne dépassez pas la pression maximale de service de la bouteille, même temporairement.
- j) Lorsque les bouteilles ont été remplies correctement et que le processus est terminé, assurez-vous que les bouteilles et l'équipement sont retirés du site rapidement et que toutes les vannes d'isolement de l'équipement sont fermées.
- k) Le réfrigérant récupéré ne doit être chargé dans un autre système de réfrigération que s'il a été nettoyé et vérifié.

10. Étiquetage

L'équipement doit porter une étiquette indiquant qu'il a été mis hors service et vidé du réfrigérant. L'étiquette doit être datée et signée. Assurez-vous que l'équipement contient des étiquettes indiquant que celui-ci contient du réfrigérant inflammable.

11. Récupération

Lorsque vous retirez du fluide frigorigène d'un système, que ce soit pour un entretien ou une mise hors service, il est recommandé de retirer tous les réfrigérants de manière sûre. Lors du transfert de réfrigérant dans des bouteilles, veillez à n'utiliser que des bouteilles de récupération de réfrigérant appropriées. Assurez-vous que le nombre correct de bouteilles permettant de contenir la charge totale du système est disponible. Toutes les bouteilles à utiliser sont désignées pour le réfrigérant récupéré et étiquetés pour ce réfrigérant (c'est-à-dire des bouteilles spéciales pour la récupération du réfrigérant). Les bouteilles doivent être équipées d'une soupape de surpression et des vannes d'arrêt associées en bon état de fonctionnement. Les bouteilles de récupération vides sont évacuées et, si possible, refroidies avant la récupération. L'équipement de récupération doit être en bon état de fonctionnement, avec un ensemble d'instructions concernant l'équipement disponible et doit être

adapté à la récupération des réfrigérants inflammables. En outre, un jeu de balances étalonnées doit être disponible et en bon état de fonctionnement. Les flexibles doivent être complets avec des raccords débranchés sans fuite et en bon état. Avant d'utiliser la machine de récupération, assurez-vous qu'elle est en bon état de fonctionnement, correctement entretenue et que tous les composants électriques associés sont scellés pour éviter toute inflammation en cas de libération de réfrigérant. Consultez le fabricant en cas de doute. Le fluide frigorigène récupéré doit être renvoyé au fournisseur de fluide frigorigène dans la bouteille de récupération appropriée, et le billet de transfert de déchets correspondant doit être préparé. Ne mélangez pas les réfrigérants dans les unités de récupération et surtout pas dans les bouteilles. Si les compresseurs ou leurs huiles doivent être éliminés, assurez-vous qu'ils ont été évacués à un niveau acceptable pour vous assurer que le réfrigérant inflammable ne reste pas dans le lubrifiant. Le processus d'évacuation doit être effectué avant de retourner le compresseur aux fournisseurs. Seul un chauffage électrique du boîtier du compresseur doit être utilisé pour accélérer ce processus. Lorsque l'huile est évacuée d'un système, elle doit être effectuée en toute sécurité.

Compétence du personnel de service

Général

Une formation spéciale, en plus des procédures de réparation habituelles des équipements frigorifiques, est nécessaire lorsqu'un équipement contenant des réfrigérants inflammables est affecté.

Dans de nombreux pays, cette formation est assurée par des organismes d'entraînement nationaux accrédités pour enseigner les normes de compétences nationales pertinentes pouvant être définies dans la législation.

Les compétences acquises doivent être documentées par un certificat.

Formation

La formation doit inclure les éléments suivants :

Des informations sur le potentiel d'explosion des réfrigérants inflammables pour montrer que les produits inflammables peuvent être dangereux lorsqu'ils sont manipulés sans précaution.

Des informations sur les sources d'inflammation potentielles, en particulier celles qui ne sont pas évidentes, telles que briquets, interrupteurs d'éclairage, aspirateurs, radiateurs électriques.

Des informations sur les différents concepts de sécurité:

Non ventilé - La sécurité de l'appareil ne dépend pas de la ventilation du boîtier. La mise hors tension de l'appareil ou l'ouverture du boîtier n'a pas d'incidence significative sur la sécurité. Néanmoins, il est possible que du réfrigérant qui s'échappe s'accumule à l'intérieur du boîtier et une atmosphère inflammable se dégage à l'ouverture du boîtier.

Boîtier ventilé - La sécurité de l'appareil dépend de la ventilation du boîtier. La mise hors tension de l'appareil ou l'ouverture du boîtier ont un impact significatif sur la sécurité. Des précautions doivent être prises pour assurer une ventilation suffisante au préalable.

Pièce ventilée - La sécurité de l'appareil dépend de la ventilation de la pièce. La mise hors tension de l'appareil ou l'ouverture du boîtier n'a pas d'incidence significative sur la sécurité. La ventilation de la pièce ne doit pas être arrêtée pendant les procédures de réparation.

Informations sur le concept de composants et d'enceintes étanches selon IEC 60079-15: 2010.

Des informations sur les procédures de travail correctes :

a) Mise en service

- Assurez-vous que la surface au sol est suffisante pour la charge de réfrigérant ou que le tuyau de ventilation est correctement assemblé.
- Raccordez les tuyaux et effectuez un test d'étanchéité avant de charger du réfrigérant.
- Vérifiez les équipements de sécurité avant la mise en service.

b) Maintenance

- Les équipements portables doivent être réparés à l'extérieur ou dans un atelier spécialement équipé pour manipuler les unités avec des réfrigérants inflammables.
- Assurez une ventilation suffisante sur le lieu de réparation.

- Sachez qu'un dysfonctionnement de l'équipement peut être causé par une perte de réfrigérant et qu'une fuite de réfrigérant est possible.
 - Déchargez les condensateurs de manière à ne causer aucune étincelle. La procédure standard pour court-circuiter les bornes du condensateur crée généralement des étincelles.
 - Remontez les boîtiers scellés avec précision. Si les joints sont usés, remplacez-les.
 - Vérifiez les équipements de sécurité avant la mise en service.
- c) Réparations
- Les équipements portables doivent être réparés à l'extérieur ou dans un atelier spécialement équipé pour manipuler les unités avec des réfrigérants inflammables.
 - Assurez une ventilation suffisante sur le lieu de réparation.
 - Sachez qu'un dysfonctionnement de l'équipement peut être causé par une perte de réfrigérant et qu'une fuite de réfrigérant est possible.
 - Déchargez les condensateurs de manière à ne causer aucune étincelle.
 - Lorsqu'un brasage est requis, les procédures suivantes doivent être effectuées dans le bon ordre :
 - Retirez le fluide frigorigène. Si la récupération n'est pas exigée par les réglementations nationales, vidangez le réfrigérant vers l'extérieur. Veillez à ce que le réfrigérant drainé ne présente aucun danger. En cas de doute, une personne doit observer la sortie. Veillez à ce que le réfrigérant drainé ne retourne pas dans le bâtiment.
 - Évacuez le circuit frigorifique.
 - Purgez le circuit de réfrigérant à l'azote pendant 5 minutes.
 - Évacuez à nouveau.
 - Enlevez les pièces à remplacer en les coupant et non en les enflammant.
 - Purgez le point de brasage à l'azote pendant le processus de brasage.
 - Effectuez un test d'étanchéité avant de charger du réfrigérant.
 - Remontez les boîtiers scellés avec précision. Si les joints sont usés, remplacez-les.
 - Vérifiez les équipements de sécurité avant la mise en service.
- d) Mise hors service
- Si la sécurité est affectée lorsque l'équipement est mis hors service, la charge de réfrigérant doit être retirée avant la mise hors service.
 - Assurez une ventilation suffisante à l'emplacement de l'équipement.
 - Sachez qu'un dysfonctionnement de l'équipement peut être causé par une perte de réfrigérant et qu'une fuite de réfrigérant est possible.
 - Déchargez les condensateurs de manière à ne causer aucune étincelle.
 - Retirez le fluide frigorigène. Si la récupération n'est pas exigée par les réglementations nationales, vidangez le réfrigérant vers l'extérieur. Veillez à ce que le réfrigérant drainé ne présente aucun danger. En cas de doute, une personne doit observer la sortie. Veillez à ce que le réfrigérant drainé ne retourne pas dans le bâtiment.
 - Évacuez le circuit frigorifique.
 - Purgez le circuit de réfrigérant à l'azote pendant 5 minutes.
 - Évacuez à nouveau.
 - Versez l'azote jusqu'à la pression atmosphérique.
 - Placez une étiquette sur l'équipement indiquant que le réfrigérant est retiré.
- e) Mise au rebut
- Assurez une ventilation suffisante sur le lieu de travail.
 - Retirez le fluide frigorigène. Si la récupération n'est pas exigée par les réglementations nationales, vidangez le réfrigérant vers l'extérieur. Veillez à ce que le réfrigérant drainé ne présente aucun danger. En cas de doute, une personne doit observer la sortie. Veillez à ce que le réfrigérant drainé ne retourne pas dans le bâtiment.
 - Évacuez le circuit frigorifique.
 - Purgez le circuit de réfrigérant à l'azote pendant 5 minutes.
 - Évacuez à nouveau.
 - Découpez le compresseur et vidangez l'huile.

Transport, marquage et stockage pour les unités utilisant des réfrigérants inflammables

Transport d'équipements contenant des frigorigènes inflammables

L'attention est attirée sur le fait que des réglementations supplémentaires en matière de transport peuvent exister pour les équipements contenant des gaz inflammables. Le nombre maximal d'équipements ou la configuration des équipements pouvant être transportés ensemble sera déterminé par les réglementations de transport applicables.

Marquage de l'équipement à l'aide de panneaux

Les panneaux relatifs à des appareils similaires utilisés dans une zone de travail sont généralement régies par les réglementations locales et définissent les exigences minimales en matière de signalisation de sécurité et / ou de santé pour un lieu de travail .

Tous les panneaux requis doivent être entretenus et les employeurs doivent veiller à ce que les employés reçoivent des instructions et une formation appropriées et suffisantes sur la signification des panneaux de sécurité appropriés et sur les mesures à prendre en relation avec ces panneaux.

L'efficacité des panneaux ne doit pas être diminuée par un trop grand nombre de panneaux placés ensemble.

Tous les pictogrammes utilisés doivent être aussi simples que possible et ne contenir que des détails essentiels.

Mise au rebut des équipements utilisant des réfrigérants inflammables

Reportez-vous aux réglementations nationales.

Rangement des équipements / appareils

Le stockage de l'équipement doit être conforme aux instructions du fabricant.

Stockage du matériel emballé (invendu)

La protection de l'emballage de stockage doit être conçue de manière à ce que les dommages mécaniques causés à l'équipement à l'intérieur de l'emballage ne provoquent pas une fuite de la charge de réfrigérant.

Le nombre maximal d'équipements pouvant être stockés ensemble sera déterminé par la réglementation locale.

SÄKERHETSANVISNINGAR

Före användning och för att att erhålla bästa resultat från apparaten, var noga med att läsa igenom alla instruktioner nedan för att undvika skada på person eller egendom. Se till att förvara denna bruksanvisning på en säker plats. Om du ger bort eller överlåter denna apparat till någon, se till att även inkludera denna bruksanvisning.

Vid skador som orsakats av att användaren inte följer instruktionerna i denna bruksanvisning ogiltighetsförklaras garantin. Tillverkaren/importören tar inget ansvar för skador som orsakats av underlåtenhet att följa bruksanvisningen, vid en vårdslös användning eller användning som inte är i enlighet med kraven i denna bruksanvisning.

1. Läs igenom och spara dessa instruktioner. Obs! Bilderna häri är endast för referens.
2. Denna apparat får användas av barn från 8 års ålder, personer med nedsatt fysisk, sensorisk eller mental förmåga eller personer med brist på erfarenhet och kunskap om de övervakas eller fått instruktioner angående användningen av apparaten på ett säkert sätt och förstår riskerna.
3. Barn får inte leka med apparaten.
4. Rengöring och underhåll av apparaten får inte göras av barn utan vuxens tillsyn.
5. Om sladden är skadad måste den bytas ut av tillverkaren, en av tillverkaren godkänd reparatör eller liknande kvalificerad person för att undvika faror.
6. Innan du ansluter strömkontakten till eluttaget, kontrollera att spänningen och frekvensen överensstämmer med specifikationerna på märkplåten.
7. Om en förlängningskabel används måste den vara lämplig för apparatens strömförbrukning, annars kan överhettning av förlängningsskabeln och/eller strömkontakten inträffa. Det finns en eventuell risk för personskador om man snubblar över förlängningskabeln. Var noga med att undvika att skapa farliga situationer.

8. Dra ut strömkontakten från eluttaget när apparaten inte används och före rengöring.
9. Säkerställ att strömkabeln inte hänger över någon skarp kant och håll den borta från varma föremål och öppen eld.
10. Sänk inte ner apparaten eller strömkontakten i vatten eller någon annan vätska. Det är livsfarligt på grund av elektriska stötar!
11. För att dra ut strömkontakten från eluttaget, dra ut den via strömkontakten. Dra inte i strömkabeln.
12. Du får inte koppla in eller dra ut apparaten från eluttaget med blöta händer.
13. Försök aldrig att öppna apparatens hölje eller reparera den själv. Det kan orsaka elektriska stötar.
14. Produkten är inte framtagen för kommersiellt bruk. Endast för inomhusbruk.
15. Använd inte apparaten för något annat ändamål än den är avsedd för.
16. Linda inte kabeln runt apparaten och undvik att böja den.
17. Använd inte enheten i områden där: den är nära brandkällor, där olja kan skvätta, den utsätts för direkt solljus, där vatten kan skvätta, i en tvättstuga, dusch eller nära en simbassäng.
18. För aldrig in fingrar, pinnar i luftutloppet. Var särskilt noga med att informera barn om dessa faror.
19. Håll enheten upprätt under transport och förvaring så att kompressorn är korrekt inriktad.
20. Stäng alltid av och dra koppla ur strömförsörjningen innan du sätter ihop, rengör eller flyttar enheten.
21. För att undvika brandfara skall aldrig apparaten täckas över.
22. Apparaten skall installeras i enlighet med nationella elinstallationsbestämmelser.
23. Kontakta en auktoriserad servicetekniker för reparation eller underhåll av denna enhet.
24. Dra inte i, deformera eller modifiera strömsladden eller sänk ner den i vatten. Att dra i eller missbruka strömsladden kan resultera i skador på enheten och orsaka elektriska stötar.

25. Uppfyllelse av nationella gasbestämmelser skall iakttas.
26. Service skall endast utföras såsom rekommenderas av utrustningens tillverkare. Underhåll och reparation som kräver assistans av annan kunnig personal skall utföras under översikt av personen som är kompetent för användning av brandfarliga kylmedel.
27. Använd inte eller stoppa enheten genom att sätta i eller dra ut elkontakten, det kan orsaka elstötar eller brand på grund av generering av hetta.
28. Koppla ifrån enheten om det avger konstiga ljud, lukt eller rök kommer från den.
29. Anslut alltid enheten till ett jordat uttag.
30. Snabba inte på avfrostningen med några hjälpmedel eller för rengöring andra än de processer som rekommenderas av tillverkaren.
31. Apparaten skall förvaras i ett rum utan kontinuerligt arbetande gnistkällor (exempelvis öppna lågor, en arbetande elektrisk värmeapparat).
32. Stick inte hål eller bränn.
33. Var medveten om att kylmedel kanske inte innehåller någon lukt.
34. Om apparaten har installerats, används eller förvaras i ett oventilerat rum måste rummet vara designat för att förhindra ackumulering av läckande kylmedel vilket resulterar en brandrisk eller explosion på grund av antändning av kylmedlet vilket orsakas av elektriska värmare, spisar eller andra källor för antändning.
35. Apparaten måste förvaras på ett sätt så att mekaniska fel förhindras.
36. Denna apparat innehåller R290 kylmedelsgas. R290 är en kylmedelsgas som uppfyller de europeiska direktiven för miljön. Punktera inte någon del av kylmedelskretsen.
37. Personer som hanterar eller arbetar med kylkretsen måste ha lämplig certifiering utgiven av en ackrediterad organisation som garanterar kompetensen för hantering av kylmedel i enlighet med en specifik utvärdering som erkänns i samarbete med industrin.

38. Beträffande instruktioner för reparation av apparater som innehåller R290, se nedanstående stycken.
39. För att undvika skador ska du placera apparaten i ett upprätt läge i minst 2 timmar innan den tas i bruk.



Varning: Risk för brand/Brandfarligt material.



Läs igenom bruksanvisningarna.



Bruksanvisning; driftinstruktioner.



Serviceindikator, läs tekniska manualen.

Varning: Håll ventilationsöppningarna fria från tilltäppning.

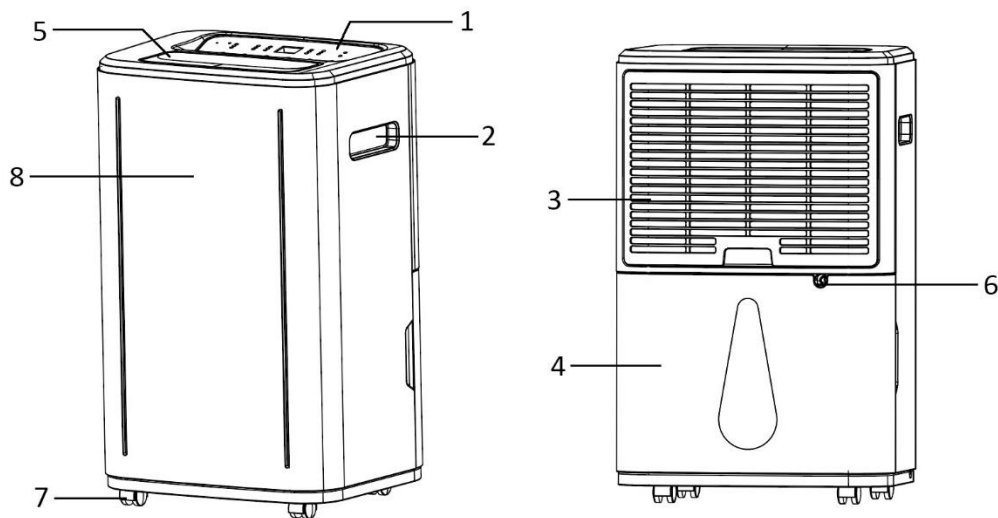
Varning: Apparaten skall förvaras i väl ventilerade områden där rumsstorleken motsvarar rumsarean som specificerats för drift.

Alla arbetsmetoder som påverkar säkerhetsanordningarna får endast utföras av behöriga personer.

Avståndet som krävs runt enheten skall vara minst 30 cm.

Apparaten skall installeras, hanteras och förvaras i ett rum med en golvyta som är större än 4 m².

BESKRIVNING AV DELARNA



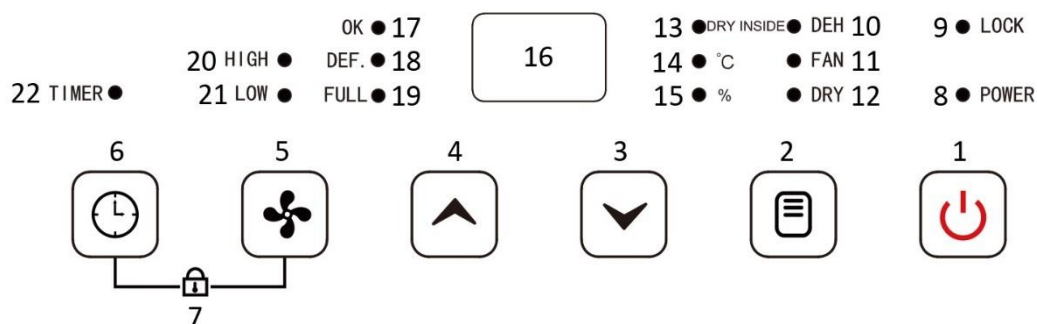
1. Kontrollpanel
2. Handtag
3. Luftintag och filter
4. Vattenbehållare
5. Luftutlopp (med ett lock)
6. Kontinuerlig dräneringsutlopp
7. Hjul
8. Indikatorvisning

Viktigt! Strömssladden förvaras i vattentanken för att undvika skador under transporten. Följ stegen nedan för att lossa strömssladden innan användning.

- 1) Dra ut vattentanken något för att dra ut en del av strömssladden.
- 2) Dra nu ut vattentanken helt.
- 3) Öppna tanklocket på högra sidan för att ta ut strömssladden från vattentanken.
- 4) Skjut ätt tillbaka vattenbehållaren på dess plats.



KONTROLLPANEL



1. Knapp på/standby
2. Lägesknapp
3. Knapp minskad inställning
4. Knapp ökad inställning
5. Hastighetsknapp för fläkt
6. Timer-knapp
7. Knappar indikerar barnlås
8. Strömindikatorlampa
9. Indikatorlampa barnlås
10. Indikatorlampa avfuktningläge
11. Indikatorlampa fläktläge
12. Indikatorlampa torkningsläge kläder
13. Indikatorlampa torkningsfunktion sida
14. Indikatorlampa temperaturvisning
15. Indikatorlampa fuktighetsvisning
16. Digital display
17. Indikatorlampa målfuktighet uppnådd
18. Indikatorlampa för avfrostningsfunktionen
19. Indikatorlampa för full vattentank (den lyser också när vattentanken inte är rätt placerad).
20. Indikatorlampan för hög fläkthastighet
21. Indikatorlampan för låg fläkthastighet
22. Indikatorlampan timer

FÖRE FÖRSTA ANVÄNDNING

- För att undvika skador ska du placera apparaten i ett upprätt läge i minst 2 timmar innan den tas i bruk.
- Efter att ha tagit bort förpackningen ska du kontrollera att apparaten är i gott skick.
- Låt inte barn leka med förpackningsmaterialet eftersom det finns risk för kvävning.

Enheten skall installeras på en plan yta där luftutblåset inte kommer att blockeras. Avståndet som krävs runt enheten skall vara minst 30 cm. För att spara energi bör du hålla fönster och dörrar stängda när apparaten är igång.

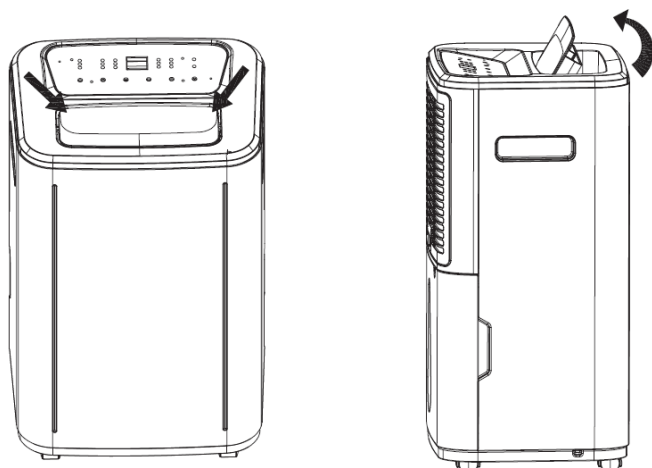
Notera: Om avfuktaren får störningar från hushållsapparater, t.ex. TV och radiokassettspelare, bör du hålla utrustningen borta från avfuktaren i ett avstånd på över 70 cm.

ANVÄNDNING

Anslut apparaten till eluttaget. Ett pip ljud kommer att höras. Apparaten är nu i standbyläge. Strömindikatorns lampa lyser.

Knapp på/standby

Tryck på knappen på/standby för att slå på apparaten. Öppna luftutloppsluckan manuellt. Strömindikatorlampan lyser fortfarande. Om du trycker på knappen igen går apparaten in i standbyläge.



Lägesknapp

Tryck på lägesknappen för att välj önskat läge, avfuktningläge, fläktläge eller läge för torkning av kläder.

1. Avfuktningläge: indikatorlampan för "DEH" lyser. Fläkthastigheten kan växlas mellan hög och låg. Luftfuktigheten kan ställas in mellan 35-85% RH eller ställas in på "CO" (kontinuerlig). Tryck på knappen "▲"/"▼" för att ändra inställningen. Den digitala displayen visar den inställda luftfuktigheten.

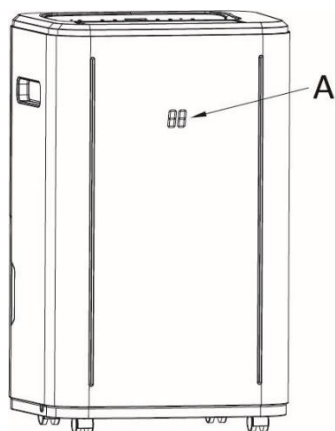
1) Vid rumsfuktighet > ställ in luftfuktigheten på + 3%, kompressorn kommer att börja arbeta och fortsätter med den inställda hastigheten.

Vid rumsfuktighet < ställ in luftfuktighet - 3%, kompressorn slutar att arbeta och fläkten övergår automatiskt till låg hastighet.

Vid den inställda luftfuktigheten - 3% ≤ rumsfuktighet ≤ ställ in luftfuktighet + 3%, kompressorn fortsätter att arbeta och fläkten körs med den inställda hastigheten.

2) När rumsfuktigheten inte når den inställda luftfuktigheten, indikatorlampan för "OK" på kontrollpanelen är släckt. När rumsfuktigheten når den inställda luftfuktigheten kommer indikatorlampan "OK" att lysa.

3) Indikatordisplayen (A) på framsidan av apparaten kommer att visa tre färger enligt rumsfuktigheten. Den visar röd när rumsfuktigheten är högre än 65%RH, grön när rumsfuktigheten är mellan 45%RH och 65%RH, och blå när rumsfuktigheten är under 45%RH.



4) När den inställda luftfuktigheten är "CO", körs kompressorn kontinuerligt utan begränsningen av den inställda luftfuktigheten och fläkthastigheten kan justeras. Den digitala displayen visar "CO".

2. Fläktläge: indikatorlampan för "FAN" lyser. Kompressorn arbetar inte, fläkthastigheten kan växlas mellan hög och låg. Luftfuktigheten kan inte ställas in om rumsfuktigheten (30~90%RH) visas på den digitala displayen.

3. Torkläge för kläder: indikatorlampan för "DRY" lyser. Kompressorn fortsätter att arbeta kontinuerligt. Fläkthastigheten kan inte justeras och enheten arbetar med hög fläkthastighet som standard. Luftfuktigheten kan inte ställas in om rumsfuktigheten (30~90%RH) visas på den digitala displayen.

Notera: För att stänga av apparaten under avfuktningssläge eller torkläge för kläder kommer fläktmotorn att stängas av efter en fördröjning på en minut.

Inställningsknappar för att höjning/sänkning

1. Tryck på knappen "▲" för att öka inställningen av luftfuktigheten eller timern. Tryck på knappen "▼" för att minska inställningen av luftfuktigheten eller timern.
2. När rumsfuktigheten > 65%RH, kan användare trycka på och hålla kvar knappen "▼" i tre sekunder för att slå på mögelborttagningsfunktionen (funktionen torr insida). Indikatorlampan "DRY INSIDE" lyser. Denna funktion är endast tillgängligt för avfuktningssläger och torkläge för kläder. Tryck på och håll kvar denna knapp i tre sekunder igen för att stäng av funktionen.
Notera: Om denna funktion har valts och apparaten stängs av senare kommer fläktmotorn av stängas av efter en fördröjning på fem minuter.
3. Tryck på knapparna "▲" och "▼" samtidigt för att kontrollera rumstemperaturen på den digitala displayen. Displayen kommer att visas i ca 10 sekunder.

Hastighetsknapp för fläkt

1. Tryck på hastighetsknappen för att välja låg eller hög fläkthastighet. Motsvarande indikatorlampa lyser.
2. Tryck på och håll kvar knappen för fläkthastighet i tre sekunder för att stänga av eller slå på indikatordisplayen. När indikatordisplayen är avstängd kommer kontrollpanelen att dimmas i fem sekunder om ingen vidare aktivitet sker.

Timerknapp

Timerinställning PÅ:

- När apparaten är i standbyläge, tryck på knappen "TIMER", motsvarande indikatorlampa "TIMER" kommer att lysa.
- Tryck på knappen "▲"/"▼" för att välja önskad påslagningstid mellan 0-24 timmar. Värdet kommer att blinka på den digitala displayen och inställningen kommer att starta efter ungefär fem sekunder.
- Apparaten kommer att slås på automatiskt när den valda tiden har passerats.

Timerinställning OFF:

- När apparaten är påslagen, tryck på knappen "TIMER", motsvarande indikatorlampa "TIMER" kommer att lysa.
- Tryck på knappen "▲"/"▼" för att välja önskad avstängningstid mellan 0-24 timmar. Värdet kommer att blinka på den digitala displayen och inställningen kommer att starta efter ungefär fem sekunder. Den digitala displayen återgår till att visa rumsfuktigheten.
- Apparaten kommer att stängas av automatiskt den valda tiden har passerats.

Notera: Tryck på knappen "TIMER" igen för att kontrollera kvarvarande tid. Fortsatt tryckning på knappen "TIMER" igen, timerfunktionen kommer att avbrytas.

Barnlåsfunktion

Tryck på timerknappen och knappen fläkthastighet samtidigt för att slå på barnlåsfunktionen. Indikatorlampan "LOCK" kommer att lysa och alla knappar på kontrollpanelen kommer att låsas. Tryck på timerknappen och fläkthastighetsknappen samtidigt igen för att stänga av barnlåsfunktionen.

Avfrostningsfunktion

Apparaten kommer att gå in i avfrostningsfunktionen automatiskt. Indikatorlampan för "DEF." kommer att lysa och kompressorn slutar arbeta. När avfrostningen är klar kommer indikatorlampan för "DEF." att slockna och kompressorn återupptar arbetet.

Notering:

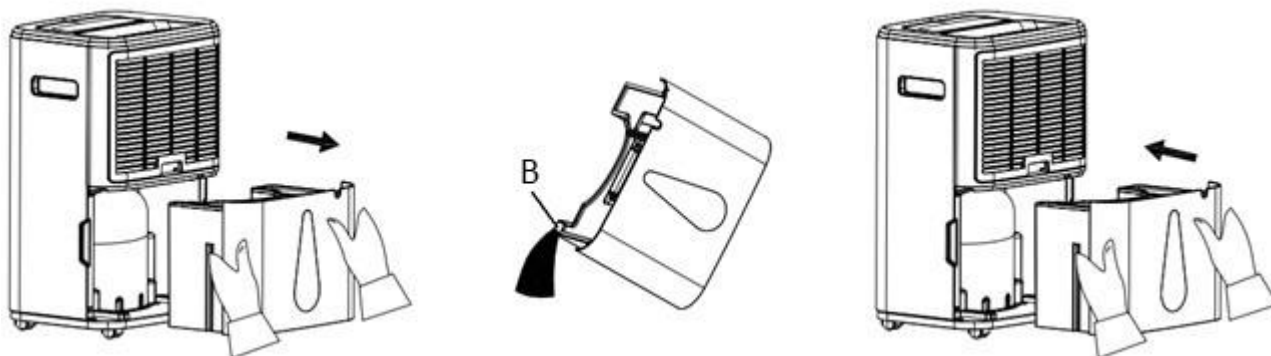
1. Rumsfuktighetens visningsområde är 30~90%RH (rumsluftfuktighet \leq 30%, visning 30%; rumsluftfuktighet \geq 90%, display 90%). Arbetsmiljöns temperatur för denna apparat är 5~32 °C, och arbetsmiljöns luftfuktighet är 10~95%RH.
2. Kompressorn har en skyddsfunktion på tre minuters fördröjning. När kompressorn arbetar och det blir oavsiktligt strömavbrott, kommer kompressorn inte att starta om omedelbart efter att den slå på igen. Den börjar arbeta inom tre minuter.

DRÄNERA DET UPSAMLADE VATTNET

När vattentanken är full lyser indikatorlampan för full vattentank. Den digitala displayen kommer att visa "FL". Driften stoppas automatiskt och summern ljuder 5 gånger för att varna användaren om att vattnet måste tömmas från vattentanken.

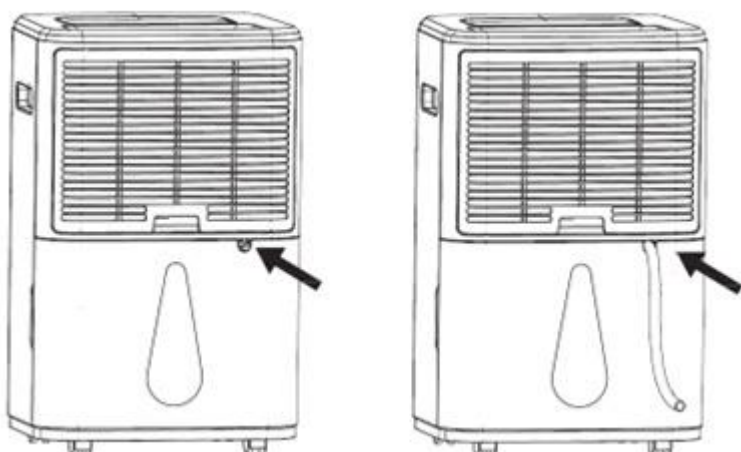
Töm vattenbehållaren.

1. Dra ut vattenbehållaren försiktigt genom att hålla den konkava delen på båda sidor.
2. Häll ut det uppsamlade vattnet, genom tömningshålet (B).
3. Montera tillbaka vattenbehållaren genom att trycka den horisontellt och försiktigt. Handtaget på vattenbehållaren ska ligga ner.



Kontinuerlig vattenavrinning

Anslut det medföljande plaströret till det kontinuerliga dräneringsutloppet så att kondensvattnet kontinuerligt töms ut genom utloppet i stället för att samlas upp i vattentanken. Se till att röret installeras i en nedåtgående riktning så att vattnet kan rinna ut kontinuerligt.



RENGÖRING OCH UNDERHÅLL

Apparaten måste rengöras regelbundet för att förlänga dess livslängd och för att den ska fungera korrekt.

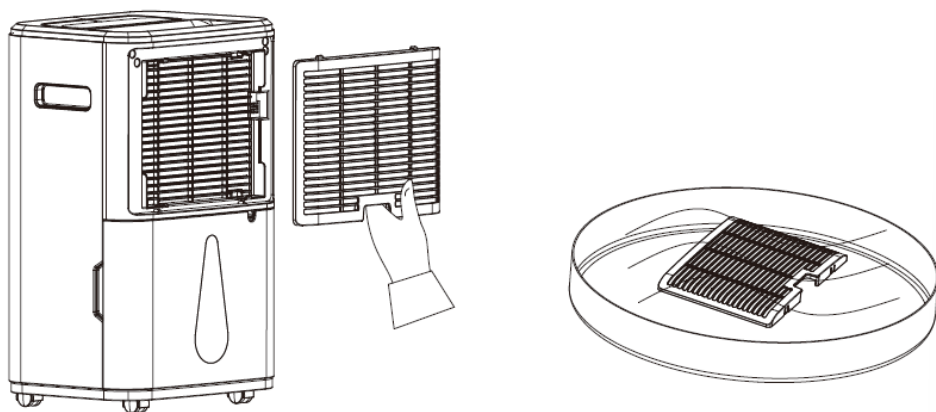
Varning: Innan du gör någon rengöring ska du stänga av enheten och dra ut kontakten för att undvika elektriska stötar. Använd inte varmt vatten eller kemiska lösningsmedel för rengöring.

1. Rengör regelbundet vattentanken med kallt eller varmt vatten och torka den med en mjuk trasa för att undvika mögel.
2. Rengör apparatens yta med en fuktig trasa. Använd inte rengöringsmedel eller slipande svampar som kan skada plastytan.
3. Rengör filtret enligt beskrivningen i följande avsnitt.
4. När enheten inte kommer att användas under en längre tid:
 - 1) Töm och torka vattentanken och sätt sedan tillbaka den.
 - 2) Rengör filtret.
 - 3) Placera apparaten upprätt och undvik direkt solljus.

Filter

Det finns ett filter på baksidan av apparaten som måste tas bort och rengöras regelbundet. Avfuktningsskapaciteten kan minska när filtret är igensatt.

- Dra ut filtret från undersidan och ta bort det från apparaten och lägg det i rent vatten.
- Det rekommenderas att tvätta det minst en gång varannan vecka vid kontinuerlig användning.
- Om filtret inte är smutsigt, dammsug bara bort dammet.
- Om filtret är smutsigt, tvätta med kallt vatten eller varmt vatten som inte överstiger 40 grader, använd inte kemiska rengöringsmedel eller hett vatten.
- Torka filtret noga innan montering.



Notering:

För att förhindra att filtret deformeras behöver det lufttorka naturligt efter rengöring. Använd aldrig en torkare eller värmare av någon sort. Använd inte alkohol, bensin, bensen eller andra kemiska lösningsmedel för att rengöra filtret.

FELSÖKNING

Status	Möjlig orsak	Lösningar
Varm luft	Luften från avfuktaren passerar genom insidans temperaturåtervinningsenhet så att den heta luften laddas ut (ingen kylningsfunktion)	Detta är inget funktionsfel.
Avfuktaren fungerar inte	Är strömkontakten isatt?	Sätt i kontakten i eluttaget.
	Vattenbehållaren är full Eller är vattenbehållaren är installerad i fel position	Töm ut det stillastående vattnet i behållaren och sätt tillbaka behållaren i korrekt position.

Avfuktningssfunktionen fungerar inte.	Är temperaturen eller luftfuktigheten i rummet alltför låg?	Under den torra säsongen kommer avfuktningsskapaciteten hos avfuktaren att vara begränsad.
	Är luftintaget eller luftuttaget blockerat?	Rensa bort alla föremål som blockerar luftuttaget eller luftintaget.
Ingen vind	Är luftfiltret blockerat?	Rengör luftfiltret.
Alltför mycket buller när maskinen körs.	Är den felaktigt placerad så att maskinen är lutad eller instabil?	Förhindra att maskinen används på ett instabilt underlag.
	Är luftfiltret blockerat?	Rengör luftfiltret.

TEKNISKA EGENSKAPER

Avfuktningsskapacitet (30°C, 80%RH)	30 L/dag
Avfuktningsskapacitet (27°C, 60%RH)	16 L/dag
Märkspänning	AC 220-240 V
Märkfrekvens	50 Hz
Ineffekt	420 W
Märkström	1,9 A
Kylmedel:	R290 / 74 g

GARANTI OCH KUNDTJÄNST

Innan leverans genomgår våra apparater en sträng kvalitetskontroll. Om det trots detta skulle uppstå någon skada på produktionen eller vid transporten, ber vi dig att ta med apparaten tillbaka till inköpsstället. Förutom de i lag fastställda garantianspråken har köparen möjlighet att göra gällande följande anspråk på garanti:

För den köpta apparaten ges 2 års garanti, med början på inköpsdagen. Om du har en defekt produkt, kan du vända dig direkt till inköpsstället.

Brister som uppstår genom felaktig hantering av apparaten och fel som uppstår genom ingrepp och reparationer av tredje man eller montering av främmande delar, omfattas ej av vår garanti. Behåll alltid ditt kvitto då det är din garanti vid eventuell reklamation. Skador som uppstår p.g.a. att instruktionsmanualen inte följs ogiltigförklarar garantin och om detta leder till påföljande skador så kan inte vi hållas ansvariga. Vi kan inte hållas ansvariga för materiella skador eller personskador som orsakas av felaktig användning eller om inte säkerhetsföreskrifterna följs. Skador på tillbehören innebär inte per automatik ersättning av hela apparaten. I sådana fall ska du kontakta vår kundservice. Trasigt glas och trasiga plastdelar innebär alltid en kostnad. Defekter på förbrukningsartiklar eller slitdelar och även skador orsakade av rengöring, underhåll eller byte av tidigare nämnda delar täcks inte av garantin och ska således betalas av ägaren.

MILJÖVÄNLIG KASSERING



Återvinning – EU-direktiv 2012/19/EU

Denna markering indikerar att produkten inte får kastas tillsammans med övrigt hushållsavfall. För att förhindra eventuell skada på miljön eller människors hälsa på grund av okontrollerad avfallshantering,

återvinns de på ett ansvarsfullt sätt som främjar en hållbar återanvändning av materiella resurser. För att återlämna den använda enheten, använd retur- och insamlingssystem eller kontakta återförsäljaren där produkten var köpt. De kan ta denna produkt för miljösäker återvinning.

Emerio B.V.

Oudeweg 115

2031 CC Haarlem

The Netherlands

Customer service:

T: +31 (0) 23 3034369

www.emerio.eu/service

Kundeninformation:

T: +49 (0) 3222 1097 600

www.emerio.eu/service

Klantenservice:

T: +31 (0) 23 3034369

www.emerio.eu/service

Looking for spare parts? Have a look at www.spareparts.emerio.eu

Sie brauchen Ersatzteile? Besuchen Sie www.ersatzteile.emerio.eu

Onderdelen nodig? Kijk op www.onderdelen.emerio.eu

INSTRUKTION FÖR REPARATION AV APPARATER SOM INNEHÅLLER R290

1. Service

1) Kontroller för området

Innan arbete påbörjas på system som innehåller antändbara kylmedel är det nödvändigt med säkerhetskontroller för att garantera att risken för antändning är minimerad. För reparationer av kylsystem skall följande säkerhetsåtgärder uppfyllas innan arbete påbörjas på systemet.

2) Arbetsprocedur

Arbete skall under en kontrollerad procedur frö att minimera risken att brännbara gaser eller ånga finns närvarande när arbetet påbörjas.

3) Allmänt arbetsområde

All underhållspersonal och andra som arbetar i närheten skall instrueras om typ av arbete som skall utföras. Arbete i slutna utrymmen skall undvikas. Området runt arbetsplatsen skall spärras. Se till att det inom området har säkrats genom att kontrollera om det finns brännbara material.

4) Kontrollera om det finns kylmedel i närheten.

Området skall kontrolleras med en lämplig detektor för kylmedel innan och under arbetet för att garantera att teknikern är medveten om potentiellt brännbar atmosfär. Se till att utrustning för läckagedetektering som använd är lämplig för användning med brännbara kylmedel, d.v.s. är icke-gnistbildande, adekvat förseglade eller i sig självt är säkra.

5) Att brandsläckningsutrustning finns i närheten.

Om någon värmebearbetning skall utföras på kylutrustningen eller någon tillhörande del skall lämplig brandsläckningsutrustning finnas tillgänglig. Ha brandsläckare med torrt pulver eller kolsyra i närheten av arbetsområdet.

6) Inga antändningskällor

Inga personer som utför arbete på kylsystem som involverar exponering av rör som innehåller eller har innehållit antändbart kylmedel skall inte använda någon form av antändningskällor på ett sådant sätt att det kan leda till risk för brand eller explosion. Alla tänkbara antändningskällor, inklusive cigarettrökning, skall hållas tillräckligt långt från platsen för installationen, reparationen, borttagning och avyttring under vilka antändbart kylmedel kan komma ut i omgivningen. Innan arbete starta måste området runt utrustningen granskas för att vara säker på att det inte finns några risker för brand eller antändning. Skylten "Rökning förbjuden" skall visas.

7) Ventilerat område

Se till att området är öppet eller att det är tillräckligt ventilerat innan systemet öppnas eller heta arbeten utförs. En viss ventilation skall finnas under tiden som arbetet utförs. Ventilationen skall på ett säkert sätt ventileras bort allt frisläppt kylmedel och helst släppa ut det i atmosfären.

8) Kontroll av kylutrustningen

När elektriska komponenter byts ut skall de passa för dess syfte och har korrekt specifikation. Tillverkarens underhålls- och serviceriktlinjer skall alltid följas. Vid tveksamheter, rådfråga tillverkarens tekniska avdelning för hjälp.

Följande kontroller skall gälla för installationer med antändningsbara kylmedel:

- Laddningsstorleken är i enlighet med rumsstorleken där kylanläggningens delar är installerad;
- Ventilationsmaskineriet och utlopp fungerar korrekt och inte är hindrade;
- Om en indirekt kylkrets används skall den andra kretsen kontrolleras om den innehåller kylmedel;
- Markeringar på utrustningen skall fortsätta vara synlig och läslig. Markeringar och skyltar som är läsliga skall vara korrekta;
- Kylrör eller komponenter är installerade i en position där de inte kan utsättas för några substanser som kan fräta på kylanläggningars komponenter, såvida inte komponenterna består av material som i sig är motståndskraftiga mot frätning eller är lämpligt skyddade mot frätning.

9) Kontroll av elektriska enheter

Reparationer och underhåll av elektriska komponenter skall inkludera initial säkerhetskontroll och inspektion av komponenter. Om det finns ett fel som påverkar säkerheten skall ingen elektrisk anslutning göras till enheten innan felet hanterats på ett tillfredsställande sätt. Om felet inte kan korrigeras men det är nödvändigt att fortsätta driften skall en adekvat temporär lösning användas. Detta skall rapporteras till ägaren av utrustningen så att alla parter är informerade. Initiala säkerhetskontroller skall inkludera:

- Att kondensatorer är urladdade: detta skall göras på ett säkert sätt för att undvika eventuell gnistbildning;
- Att det inte finns några strömförande elektriska komponenter och ledningar exponerade för laddning, återvinning eller avluftning av systemet;
- Att det inte finns någon kontinuitet av jordbindning.

2. Reparation av gastäta komponenter

- 1) Under reparation av gastäta komponenter skall alla elektriska anslutningar vara frånkopplade från utrustningen som arbetas med innan några förseglade luckor tas bort etc. Om det är absolut nödvändigt att ha strömanslutning till utrustningen under servicen skall en permanent fungerar form av läckagedetektering vara placerad vid den mest kritiska punkten för att varna för en potentiellt farlig situation.
- 2) Särskild uppmärksamhet skall riktas på följande för att garantera att vid arbete med elektriska komponenter skall höljen inte ändras på ett sådant sätt att skyddsnivån påverkas. Detta skall inkludera skador på kablar, överdrivet antal anslutningar, terminaler som inte skapats enligt ursprungsspecifikationer, skador på förseglingar, felaktig fastsättning av packningsringar etc.

Se till att apparaten är monterade säkert. Se till att gastätningar eller tätningsmaterial inte har slitits så att de inte längre fyller sitt syfte med att förhindra åtkomst till brännbar atmosfär. Byte av delar skall ske i enlighet med tillverkarens specifikationer.

NOTERA: Användning av silikontätningemedel kan hämma effektiviteten mot vissa typer av utrustningar för läckagedetektering. Verkligt säkra komponenter behöver inte isoleras innan arbete utförs på dem.

3. Reparation av verkligt säkra komponenter

Använd inga permanent induktiva eller kapacitansbelastningar till kretsen utan att se till att det inte överskrider tillåtna spänningen och strömmen som är tillåtet för utrustningen som används. Verkligen säkra komponenter är de endast typerna som kan arbeta på strömförande vid närvaro av antändbar atmosfär. Testapparaten skall ha korrekt märkdata. Byt endast komponenter mot delar som specificerats av tillverkaren. Andra delar kan resultera i antändning av kylmedel i atmosfären från en läcka.

4. Kablar

Kontrollera att kablarna inte utsätts för slitage, överdrivet tryck, vibrationer, vassa kanter eller andra skadliga miljöeffekter. Kontrollen skall också ta med effekterna av åldrande eller kontinuerliga vibrationer från källor såsom kompressorer eller fläktar.

5. Detektering av brandfarliga kylmedel

Under inga omständigheter skall potentiella källor för antändning användas för att söka efter eller för att detektera kylmedelsläckage. En läcksökningslampa (eller någon annan detektor som använder en öppen låga) skall inte användas.

6. Metoder för läckagedetektering

Följande metoder för läckagedetektering bedöms acceptabla för system som innehåller antändbara kylmedel. Elektroniska läckagedetektorer skall användas för att detektera antändningsbara kylmedel, men känsligheten kanske inte är adekvat eller kan behöva återkalibreras. (Detekteringsutrustning skall kalibreras i ett kylmedelsfritt område.) Se till att detektorn inte är en potentiell källa för antändning och att den är lämplig för

kylmedlet som används. Utrustning för läckagedetektering skall ställas in på ett procenttal av LFL för kylmedlet och skall kalibreras till kylmedlet som används om det ungefärliga procenttalet för gas (25 % maximalt) är bekräftat. Läckagedetektering av vätskor är lämplig att användas med de flesta kylmedel men användning av kylmedel som innehåller klor skall undvikas eftersom klor kan reagera med kylmedlet och fräta på kopparrören. Om det misstänks finnas en läcka skall alla öppna lågor tas bort/släckas. Om ett läckage av kylmedel hittas som kräver hårdlödning skall allt kylmedel tömmas från systemet eller isoleras (med hjälp av avstängningsventiler) i en del av systemet fjärran från läckaget. Syrefritt kvävgas (Oxygen free nitrogen/OFN) skall sedan rena systemet både innan och under hårdlödningsprocessen.

7. Borttagning och evakuering

När man tar sig in i kylsystemkretsen för reparation - eller för något annat syfte - skall konventionella procedurer användas. Emellertid är det viktigt att bästa praxis följs eftersom antändligheten bör beaktas. Följande procedurer skall följas:

- Ta bort kylmedel;
- Rena kretsen med inaktiv gas;
- Evakuera;
- Rengör igen med inaktiv gas;
- Öppna kretsen genom skärning eller hårdlödning.

Kylmedlet skall återvinnas i korrekta återvinningsbehållare. Systemet skall "sköljas" med OFN för att göra enheten säker. Denna process kan behöva upprepas flera gånger. Tryckluft eller syre skall inte användas för denna uppgift. Sköljning skall uppnås genom att bryta vakuumet i systemet med OFN och fortsätta att fylla på tills arbetstrycket uppnåtts, sedan ventileras ut i atmosfären och slutligen dra ned till ett vakuum. Denna process skall upprepas tills inget kylmedel finns kvar i systemet. När den slutliga OFN laddningen använd skall systemet ventileras ned till atmosfärstryck för att möjliggöra att arbetet kan ske. Detta arbete är absolut livsnödvändigt om hårdlödningsarbete ska kunna ske på rörarbetet. Se till att utloppet för vakuumpumpen inte är nära några antändningskällor och att det finns ventilation tillgänglig.

8. Laddningsprocedur

Förutom konventionella laddningsprocedurer skall följande krav följas.

- Se till att kontaminering av olika kylmedel inte uppstår när laddningsutrustningen används. Slangar och ledningar skall vara så korta som möjligt för att minimera mängden kylmedel i dessa.
- Cylindrar skall hållas upprätt.
- Se till att kylmedelssystemet är jordat innan systemet laddas med kylmedel.
- Märk systemet när laddningen är klar (om det inte redan är gjort).
- Extrem försiktighet gäller så att kylsystemet inte överfylls.

Innan laddningen av systemet skall det provtryckas med OFN. Systemet skall läckagetestas när laddningen är klar men innan driftsättning. Ett efterföljande läckagetest skall utföras innan anläggningen lämnas.

9. Stängning

Innan denna procedur utförs är det väsentligt att teknikern är fullständigt förtrogen med utrustningen och alla dess detaljer. Det rekommenderas att god praxis är att alla kylmedel återvinns på ett säkert sätt. Innan uppgiften utförs skall ett olje- och kylmedelsprov tas om en analys krävs innan det återvunna kylmedlet återanvänds. Det är väsentligt att den elektriska strömmen finns tillgänglig innan uppgiften startar.

- a) Bli förtrogen med utrustningen och dess hantering.
- b) Isolera systemet elektriskt.
- c) Innan proceduren startas, se till att:
 - Mekaniskt hanterad utrustning finns tillgänglig, om den krävs för hantering av kylmedelscylindrarna;
 - All personals skyddsutrustning finns tillgänglig och används korrekt;

- Återvinningsprocessen övervakas hela tiden av en kompetent person;
 - Återvinningsutrustning och cylindrar uppfyller lämplig standard.
- d) Pumpa ned kylsystemet om möjligt.
 - e) Om vakuum inte är möjligt, gör ett samlingsrör så att kylmedel kan tas bort från olika delar av systemet.
 - f) Se till att cylindrarna är placerad på skalan innan återvinning sker.
 - g) Starta återvinningsmaskinen och arbeta in enlighet med tillverkarens instruktioner.
 - h) Överfyll inte cylindrarna. (Inte mer än 80 % volym vätskeladdning).
 - i) Överskrid inte maximalt arbetstryck hos cylindern, inte ens temporärt.
 - j) När alla cylindrar har fyllts korrekt och processen är klar, se till att cylindrarna och utrustningen tas bort från anläggningen omedelbart och att alla isoleringsventiler är stängda.
 - k) Återvunnet kylmedel skall inte laddas i ett annat kylsystem såvida inte det har rengjort och kontrollerats.

10. Märkning

Utrustning skall märkas där det fastslås att den har avbrutits och tömts på kylmedel. Märkningen skall vara daterad och undertecknad. Se till att det finns märkning på utrustningen som fastställer att utrustningen innehåller antändbart kylmedel.

11. Återvinning

När kylmedel tas bort från ett system, antingen för service eller stängning rekommenderas god praxis att allt kylmedel tas bort på ett säkert sätt. Vid överföring av kylmedel till cylindrar, se till att endast lämpligt antal återvinningscylindrar för kylmedel används. Se till att tillräckligt antal cylindrar som klarar av att hålla hela systemets laddning finns tillgängliga. Alla cylindrar som skall användas är avsedda för det återvunna kylmedlet och märkt för det kylmedlet (d.v.s specialcylindrar för det återvunna kylmedlet). Cylindrar skall vara kompletta med tryckventiler och associerade avstängningsventiler som fungerar. Tomma återvinningscylindrar är tömda och, om möjligt, kylde innan återvinningen sker. Återvinningsutrustningen skall fungera bra och ha en uppsättning med instruktioner beträffande utrustningen som används och skall vara lämplig för återvinning av brandfarliga kylmedel. Dessutom skall en uppsättning med vågar finnas tillgängliga och fungera. Slangar skall vara kompletta med läckagefria kopplingar och i god kondition. Innan återvinningsmaskinen används, kontrollera att den fungerar på ett tillfredsställande sätt, har underhållits korrekt och att alla associerade elektriska komponenter är förseglade för att förhindra antändning om kylmedel skulle läcka ut. Rådfråga tillverkaren vid tveksamheter. Det återvunna kylmedlet skall återlämnas till leverantören av kylmedlet i korrekt återvinningscylinder och relevant ordnad Waste Transfer Note (överföringsanteckning om avfall). Blanda inte kylmedel i återvinningsenheter och särskilt inte i cylindrar. Om kompressorer eller kompressorolja skall tas bort, se till att de har tömts till en acceptabel nivå för att vara säkra på att vissa brandfarliga kylmedel inte blir kvar i smörjmedlet. Tömningsprocessen skall utföras innan kompressorns returneras till leverantören. Endast elektrisk värme till kompressorn skall användas för att accelerera denna process. När oljan töms från ett system skall detta utföras på ett säkert sätt.

Kompetens hos servicepersonal

Allmänt

Specialutbildning förutom vanlig utbildning reparationsprocedurer av kylmedelsutrustning krävs när utrustning med brandfarligt kylmedel är involverat.

I många länder utförs denna utbildning av nationella utbildningsorganisationer som är ackrediterade att utbilda relevant nationell kompetensstandard som kan fastställas i lagstiftningen.

Den uppnådda kompetensen skall kunna dokumenteras med ett certifikat.

Utbildning

Utbildningen skall innehålla följande:

Information om explosionspotential för brandfarliga kylmedel för att fisa att brandfarligheten kan vara farlig när de hanteras ovarsamt.

Information om potentiella antändningskällor som inte är självklara, såsom tändare, ljusomkopplare, dammsugare, elektriska värmare.

Information om olika säkerhetskoncept:

Oventilerat – Säkerheten hos apparaten beror inte på ventilationen i höljet. Stänga av apparaten eller öppna höljet har ingen signifikant påverkan på säkerheten. Inte desto mindre är det möjligt att läckande kylmedel kan ackumuleras på insidan och brännbar atmosfär kommer att släppas ut när höljet öppnas.

Ventilerat hölje – Säkerheten hos apparaten beror på ventilationen i höljet. Stänga av apparaten eller öppna höljet har signifikant påverkan på säkerheten. Försiktighet gäller för att garantera att det finns tillräckligt ventilation.

Ventilerat rum – Säkerheten hos apparaten beror på ventilationen i rummet. Stänga av apparaten eller öppna höljet har ingen signifikant påverkan på säkerheten. Ventilationen i rummet skall inte stängas av under reparationsproceduren.

Information om konceptet med förseglade komponenter och förseglade inkapslingar i enlighet med IEC 60079-15:2010.

Information om korrekt arbetsprocedurer:

a) Igångsättning

- Se till att golvområdet är tillräckligt för kylmedelsladdning eller att ventilationsslangen är monterad på korrekt sätt.
- Anslut rören och gör ett läckagetest innan laddning med kylmedel.
- Kontrollera säkerhetsutrustningen innan enheten tas i bruk.

b) Underhåll

- Portabel utrustning skall repareras ute eller i en verkstad som är särskilt utrustad för service av enheter med brandfarliga kylmedel.
- Se till att det finns tillräcklig ventilation på reparationsplatsen.
- Var medveten om att funktionsfel hos utrustningen kan vara orsakade av förlust av kylmedel och en kylmedelsläcka kan vara möjlig.
- Ladda ur kondensatorer på ett sätt så att gnistor inte bildas. Standardproceduren för att kortsluta kondensatorers terminaler skapar vanligtvis gnistor.
- Återmontera förseglade områden korrekt. Om packningarna är slitna, byt.
- Kontrollera säkerhetsutrustningen innan enheten tas i bruk.

c) Reparation

- Portabel utrustning skall repareras ute eller i en verkstad som är särskilt utrustad för service av enheter med brandfarliga kylmedel.
- Se till att det finns tillräcklig ventilation på reparationsplatsen.
- Var medveten om att funktionsfel hos utrustningen kan vara orsakade av förlust av kylmedel och en kylmedelsläcka kan vara möjlig.
- Ladda ur kondensatorer på ett sätt så att gnistor inte bildas.
- När hårdlödning krävs skall följande procedurer utföras i rätt ordning:
 - Ta bort kylmedlet. Om återvinning inte krävs av nationella bestämmelser, töm ut kylmedlet ute. Se till att det uttömnda kylmedlet inte utgör någon fara. Vid tveksamheter skall en person skydda utloppet. Var särskilt försiktigt så att det uttömnda kylmedlet inte flyter tillbaka in i byggnaden.
 - Töm kylmedelskretsen.
 - Rensa kylmedelskretsen med nitrogen i fem minuter.
 - Töm igen.
 - Ta bort delar som skall bytas ut genom skärning, inte med lågor.
 - Rensa hårdlödningspunkten med nitrogen under hårdlödningsproceduren.
 - Gör ett läckagetest innan laddning med kylmedel.
- Återmontera förseglade områden korrekt. Om packningarna är slitna, byt.
- Kontrollera säkerhetsutrustningen innan enheten tas i bruk.

d) Stängning

- Om säkerheten påverkas när utrustningen tas ur drift, skall kylmedelsladdningen tas bort innan stängning.
- Se till att det finns tillräcklig ventilation på utrustningsplatsen.
- Var medveten om att funktionsfel hos utrustningen kan vara orsakade av förlust av kylmedel och en kylmedelsläcka kan vara möjlig.
- Ladda ur kondensatorer på ett sätt så att gnistor inte bildas.
- Ta bort kylmedlet. Om återvinning inte krävs av nationella bestämmelser, töm ut kylmedlet ute. Se till att det uttömnda kylmedlet inte utgör någon fara. Vid tveksamheter skall en person skydda utloppet. Var särskilt försiktigt så att det uttömnda kylmedlet inte flyter tillbaka in i byggnaden.
- Töm kylmedelskretsen.
- Rensa kylmedelskretsen med nitrogen i fem minuter.
- Töm igen.
- Fyll på med nitrogen upp till atmosfäriskt tryck.
- Markera på utrustningen att kylmedlet har tagits bort.

e) Avyttring

- Se till att det finns tillräcklig ventilation på arbetsplatsen.
- Ta bort kylmedlet. Om återvinning inte krävs av nationella bestämmelser, töm ut kylmedlet ute. Se till att det uttömnda kylmedlet inte utgör någon fara. Vid tveksamheter skall en person skydda utloppet. Var särskilt försiktigt så att det uttömnda kylmedlet inte flyter tillbaka in i byggnaden.
- Töm kylmedelskretsen.
- Rensa kylmedelskretsen med nitrogen i fem minuter.
- Töm igen.
- Ta bort kompressorn och töm ut oljan.

Transport, märkning och förvaring av enheter som använder brandfarliga kylmedel

Transport av utrustning som innehåller brandfarliga kylmedel

Uppmärksamma att det kan finnas ytterligare transportbestämmelser med tanke på att utrustningen innehåller brännbara gaser. Maximalt antal delar av utrustningen eller konfiguration av utrustningen som tillåts att transporteras tillsammans avgörs av de tillämpliga transportbestämmelserna.

Märkning av utrustningen med skyltar

Skyltar för liknande apparater som används i arbetsområden styrs av lokala bestämmelser och ger minimikraven för ombesörjande av säkerheten och/eller hälsoskyltar för arbetsplatsen.

Alla skyltar som krävs skall bibehållas och anställda skall se till att anställda får lämpliga och tillräckliga instruktioner och utbildning i betydelsen av lämpliga säkerhetsskyltar och att åtgärder skall vidtas i anslutning till dessa skyltar.

Effektiviteten hos skyltarna skall inte döljas av att alltför många skyltar placeras tillsammans.

Alla piktogram som används skall vara så enkla som möjligt och endast innehålla väsentliga detaljer.

Avyttring av utrustning som innehåller brandfarliga kylmedel

Se nationella bestämmelser.

Förvaring av utrustning/apparater

Förvaring av utrustningen skall ske i enlighet med tillverkarens instruktioner.

Förvaring av förpackad (osåld) utrustning

Den förpackningens skydd skall vara konstruerat så att mekaniska skador på utrustningen inuti förpackningen inte orsakar läckage av kylmedelsladdningen.

Maximalt antal delar utrustningen som tillåts att förvaras tillsammans avgörs av lokala bestämmelser.

VEILIGHEIDSVOORSCHRIFTEN

Voor gebruik dient u alle onderstaande instructies te lezen om letsel en schade te voorkomen en om de beste resultaten met het apparaat te bereiken. Bewaar deze handleiding op een veilige plek. Mocht u dit apparaat aan iemand anders overhandigen, dient u ook de gebruiksaanwijzing te overhandigen.

In geval van schade die wordt veroorzaakt doordat de gebruiker de instructies in deze gebruiksaanwijzing niet in acht heeft genomen, komt de garantie te vervallen. De fabrikant/importeur is niet aansprakelijk voor schade die wordt veroorzaakt door het niet in acht nemen van de gebruiksaanwijzing, door nalatig gebruik of gebruik dat niet in overeenstemming is met de bepalingen van deze gebruiksaanwijzing.

1. Lees en bewaar deze gebruiksaanwijzing. Opgelet: de afbeeldingen in de gebruiksaanwijzing zijn louter indicatief.
2. Dit toestel mag gebruikt worden door kinderen vanaf de leeftijd van 8 jaar en door personen met verminderde fysieke, zintuiglijke of mentale capaciteiten of met gebrek aan ervaring of kennis, indien zij onder het toezicht staan of gebruiksinstructies voor het veilig gebruik van dit toestel gekregen hebben en de mogelijke gevaren begrijpen.
3. Kinderen mogen niet met dit toestel spelen.
4. Kinderen die niet onder toezicht staan, mogen dit apparaat niet reinigen of onderhouden.
5. Als het stroomsnoer beschadigd is, dan moet het vervangen worden door de fabrikant, diens dealer of een gekwalificeerde technicus om risico's te voorkomen.
6. Voordat u de stekker in het stopcontact steekt, dient u te controleren of de stroom en de frequentie overeen komen met de specificaties van het typeplaatje.
7. Als u gebruik maakt van een verlengkabel, dient dit geschikt te zijn voor het stroomverbruik van het apparaat, anders

kan oververhitting van de verlengkabel en/of stekker het gevolg zijn. Er is risico op letsel door het struikelen over het verlengsnoer. Wees voorzichtig om gevaarlijke situaties te vermijden.

8. Trek de stekker uit het stopcontact als het apparaat niet in gebruik is en voordat u het apparaat reinigt.
9. Let op dat de stroomkabel niet over scherpe randen hangt en niet in de buurt komt van hete voorwerpen en open vuur.
10. Dompel het apparaat of de stekker niet onder in water of andere vloeistoffen. Er bestaat levensgevaar als gevolg van een elektrische schok!
11. Om de stekker uit het stopcontact te halen, dient u aan de stekker zelf te trekken. Trek niet aan de stroomkabel.
12. Steek de stekker niet in het stopcontact en haal hem er niet uit als u natte handen heeft.
13. Probeer nooit de behuizing van het apparaat te openen en probeer nooit zelf het apparaat te repareren. Dit kan een elektrische schok veroorzaken.
14. Dit apparaat werd niet ontworpen voor commercieel gebruik. Alleen voor gebruik binnenshuis.
15. Gebruik het apparaat niet voor andere doeleinden dan het beoogde doel.
16. Draai de kabel niet om het apparaat en buig hem niet.
17. Gebruik het toestel niet in de buurt van een vuurbron, in een zone waar olie kan opspatten, stel het niet bloot aan direct zonlicht en plaats het niet in een zone waar water kan opspatten, zoals in de buurt van een badkuip, douche of een zwembad, of in een wasruimte.
18. Steek nooit uw vingers of een stang in de luchtinlaat. Licht kinderen altijd over deze gevaren in.
19. Houd het toestel rechtop tijdens transport en opslag zodat de compressor niet wordt beschadigd.
20. Voordat u het toestel reinigt of verplaatst, schakel het altijd uit en haal de stekker uit het stopcontact.
21. Om brandgevaar te vermijden, dek het toestel nooit af.

22. Installeer het apparaat in overeenstemming met de nationale bedradingsvoorschriften.
23. Neem contact op met een bekwame onderhoudstechnicus om dit toestel te repareren of te onderhouden.
24. Niet aan het snoer trekken, het vervormen of aanpassen, of het in water dompelen. Aan het snoer trekken of het verkeerd gebruiken kan schade aan het apparaat en een elektrische schok veroorzaken.
25. Leef de nationale gasverordeningen altijd na.
26. Reparaties mogen alleen worden uitgevoerd zoals aanbevolen door de fabrikant van het apparaat. Onderhoud en reparatie die de hulp van ander opgeleid personeel vereisen, moeten worden uitgevoerd onder het toezicht van een persoon die weet hoe brandbare koudemiddelen te gebruiken.
27. Start of stop het toestel niet door de stekker in het stopcontact te steken of eruit te trekken. Het kan een elektrische schok of brand veroorzaken als gevolg van de overmatige generatie van hitte.
28. Haal de stekker uit het stopcontact als u een ongewoon geluid, geur of rook waarneemt.
29. Sluit dit apparaat altijd aan op een geaard stopcontact.
30. Gebruik geen middelen die het ontdooiproces versnellen of reinigingsmiddelen, tenzij deze die door de fabrikant zijn aanbevolen.
31. Berg het apparaat op in een ruimte zonder continu werkende ontstekingsbronnen (bijv. een open vlam, ingeschakeld gastoestel of een ingeschakeld elektrisch verwarmingstoestel).
32. Niet doorboren of verbranden.
33. Opgelet, bepaalde koudemiddelen zijn geurloos.
34. Als het apparaat wordt geïnstalleerd, bediend of bewaard in een ruimte zonder ventilatie, moet de ruimte aldus zijn ingericht dat de ophoping van koudemiddel door een lek wordt vermeden. Dit kan leiden tot brand- of

explosiegevaar door het ontsteken van het koudemiddel door een elektrisch verwarmingstoestel, fornuis of andere ontstekingsbron.

35. Bewaar het apparaat op een dergelijke wijze zodat mechanische storing wordt vermeden.
36. Dit apparaat bevat het koudemiddel R290. R290 is een koelgas dat in overeenstemming is met de Europese milieurichtlijnen. Doorboor geen enkel deel van het koelcircuit.
37. Personen die het koelcircuit bedienen of er aan werken, moeten in het bezit zijn van een gepast certificaat van een bevoegde organisatie, zodat deze personen bevoegd zijn om koudemiddelen op een veilige manier te behandelen overeenkomstig de specificaties die in de industrie van kracht zijn.
38. Voor instructies voor het repareren van apparaten die R290 bevatten, raadpleeg onderstaande paragrafen.
39. Om schade te voorkomen, zet het apparaat minstens 2 uur rechtop voordat u het in gebruik neemt.



Waarschuwing: Brandgevaar / ontvlambare materialen.



Lees de gebruikershandleidingen.



Gebruiksaanwijzing; gebruiksinstructies.



Service-indicator; lees de technische handleiding.

Waarschuwing: Houd de ventilatieopeningen vrij.

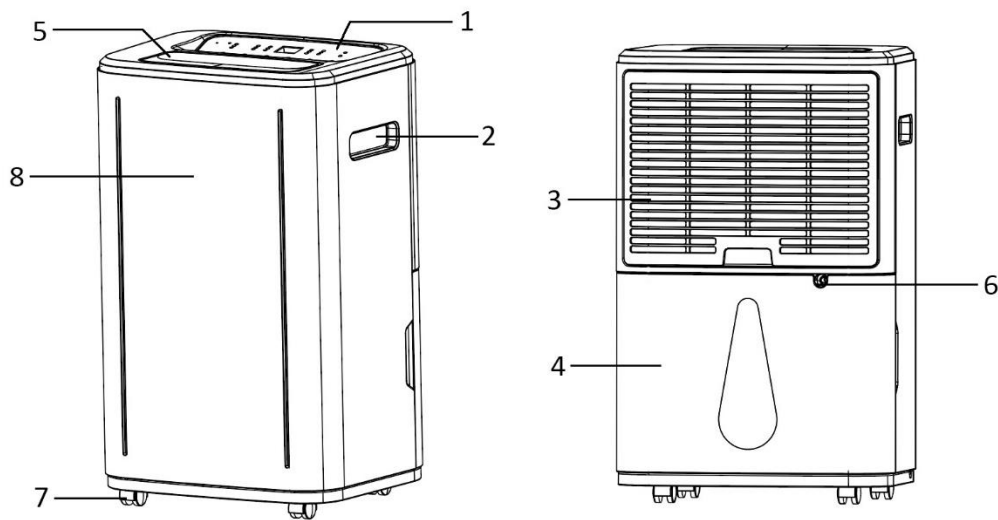
Waarschuwing: Berg het apparaat op in een goed geventileerde ruimte waarbij de grootte van de kamer overeenstemt met het oppervlak dat is aangegeven.

Alle werkzaamheden die een impact op de veiligheid kunnen hebben mogen alleen worden uitgevoerd door bevoegde personen.

De vrije ruimte rondom het toestel moet minstens 30 cm bedragen.

Installeer, gebruik en bewaar het apparaat in een ruimte met een vloeroppervlak van minstens 4 m².

BESCHRIJVING VAN DE ONDERDELEN



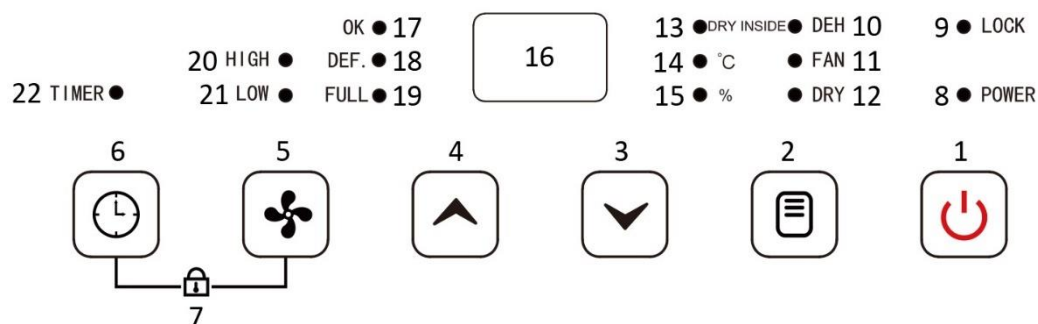
1. Bedieningspaneel
2. Handgreep
3. Luchtinlaat en filter
4. Waterreservoir
5. Luchtuitlaat (met een deksel)
6. Continue afvoer
7. Wielen
8. Uitleesvenster

Belangrijk! Het snoer bevindt zich in het waterreservoir om transportschade te vermijden. Volg de onderstaande stappen om het snoer voor gebruik uit te halen.

- 1) Trek het waterreservoir iets uit en trek vervolgens een deel van het snoer uit.
- 2) Trek het waterreservoir nu helemaal uit het apparaat.
- 3) Open het reservoirdeksel aan de rechterkant om het snoer uit het waterreservoir te halen.
- 4) Breng het waterreservoir opnieuw op zijn plaats aan.



BEDIENINGSPANEEL



1. Aan/stand-by-knop
2. Modusknop
3. Verlagen instelknop
4. Verhogen instelknop
5. Ventilatorsnelheidsknop
6. Timerknop
7. Kinderslot aanduiding
8. Stroom-controlelampje
9. Kinderslot-controlelampje
10. Ontvochtingsmodus-controlelampje
11. Ventilatormodus-controlelampje
12. Kleding drogenmodus-controlelampje
13. Drogen binnenin-functie-controlelampje
14. Temperatuurweergave-controlelampje
15. Luchtvochtigheidsweergave-controlelampje
16. Digitaal scherm
17. Gewenste luchtvochtigheid bereikt-controlelampje
18. Ontdooifunctie-controlelampje
19. Waterreservoir vol-controlelampje (brandt ook wanneer het waterreservoir niet goed is geplaatst.)
20. Hoge ventilatorsnelheid-controlelampje
21. Lage ventilatorsnelheid-controlelampje
22. Timer-controlelampje

VOOR INGEBRUIKNAME

- Om schade te voorkomen, zet het apparaat minstens 2 uur rechtop voordat u het in gebruik neemt.
- Controleer na het verwijderen van de verpakking of het apparaat in een goede staat is.
- Laat kinderen niet met het verpakkingsmateriaal spelen, er bestaat verstikkingsgevaar.

Installeer het apparaat op een vlakke ondergrond waar de luchtinlaat/-uitlaat niet belemmerd kan worden. Zorg voor een vrije ruimte van minstens 30 cm rondom het toestel. Om energie te besparen, houd ramen en deuren dicht wanneer het apparaat in werking is.

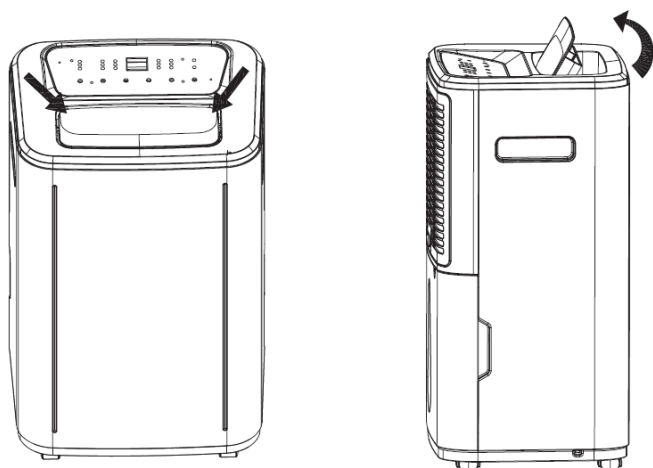
Opmerking: Als de luchtontvochtiger storing ondervindt van huishoudelijke apparaten, zoals een televisie en radiocassettespeler, houd het apparaat meer dan 70 cm uit de buurt van de luchtontvochtiger.

GEBRUIK

Steek de stekker in het stopcontact. U hoort een geluidssignaal. Het apparaat staat in stand-by. Het aan/uit-controlelampje brandt.

Aan/stand-by-knop:

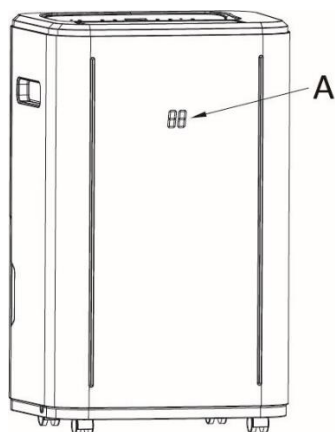
Druk op de aan/stand-by-knop om het apparaat in te schakelen. Open het luchtluitlatdeksel met de hand. Het aan/uit-controlelampje brandt continu. Druk opnieuw op de knop om het apparaat in stand-by te zetten.



Modusknop

Druk op de modusknop om uw gewenste modus te selecteren: ontvochtigingsmodus, ventilatormodus of kleding drogen-modus.

1. Ontvochtigingsmodus: het controlelampje "DEH" brandt. De ventilatorsnelheid kan tussen laag en hoog worden geschakeld. De luchtvochtigheid kan tussen 35 en 85%RH of op "CO" (Continu) worden ingesteld. Druk op de knop " \wedge "/" \vee " om de instelling te wijzigen. Het digitaal scherm geeft de ingestelde luchtvochtigheid weer.
 - 1) Wanneer de ruimteluchtvochtigheid $>$ ingestelde luchtvochtigheid + 3% is, begint de compressor te werken en blijft de ventilator op de ingestelde snelheid draaien.
Wanneer de ruimteluchtvochtigheid $<$ ingestelde luchtvochtigheid - 3% is, stopt de compressor met werken en draait de ventilator automatisch op lage snelheid.
Wanneer de ingestelde luchtvochtigheid - 3% \leq ruimteluchtvochtigheid \leq ingestelde luchtvochtigheid + 3% is, blijft de compressor werken en blijft de ventilator op de ingestelde snelheid draaien.
 - 2) Wanneer de ruimteluchtvochtigheid de ingestelde luchtvochtigheid niet bereikt, is het controlelampje "OK" op het bedieningspaneel gedoofd. Wanneer de ruimteluchtvochtigheid de ingestelde luchtvochtigheid bereikt, brandt het controlelampje "OK" op het bedieningspaneel.
 - 3) Het uitleesvenster (A) aan de voorkant van het apparaat geeft 3 kleuren weer die met de ruimteluchtvochtigheid overeenstemmen. Het is rood wanneer de ruimteluchtvochtigheid hoger dan 65%RH is, groen bij een ruimteluchtvochtigheid tussen 45%RH en 65%RH, en blauw wanneer de ruimteluchtvochtigheid lager dan 45%RH is.



- 4) Wanneer de ingestelde luchtvochtigheid "CO" is, draait de compressor continu zonder rekening te houden met de ingestelde luchtvochtigheid en kan de ventilatorsnelheid geregeld worden. Het digitaal scherm geeft "CO" weer.
2. Ventilatormodus: het controlelampje "FAN" brandt. De compressor werkt niet; de ventilatorsnelheid kan tussen laag en hoog worden geschakeld. De luchtvochtigheid kan niet worden ingesteld en de ruimteluchtvochtigheid (30~90%RH) wordt op het digitaal scherm weergegeven.
3. Kleding drogenmodus: het controlelampje "DRY" brandt. De compressor blijft continu draaien. De ventilatorsnelheid kan niet worden geregeld en het apparaat werkt standaard op hoge ventilatorsnelheid. De luchtvochtigheid kan niet worden ingesteld en de ruimteluchtvochtigheid (30~90%RH) wordt op het digitaal scherm weergegeven.

Opmerking: Om het apparaat in de ontvochtigings- of kleding drogen-modus uit te schakelen, wordt de ventilatormotor na een vertraging van 1 minuut uitgeschakeld.

Verhogen/verlagen instelknop

1. Druk op de "▲" knop om de luchthoeveelheid of timer te verhogen. Druk op de "▼" knop om de luchthoeveelheid of timer te verlagen.
2. Wanneer de ruimteluchtvochtigheid > 65%RH is, kan de gebruiker de knop "▼" 3 seconden ingedrukt houden om de schimmel verwijderingsfunctie (drogen binnenin-functie) in te schakelen. Het controlelampje "DRY INSIDE" brandt. Deze functie is alleen beschikbaar voor de ontvochtigings- en kleding drogen-modus. Houd deze knop opnieuw 3 seconden ingedrukt om de functie uit te schakelen.
Opmerking: Als deze functie geselecteerd is en het apparaat wordt later uitgeschakeld, dan wordt de ventilatormotor na een vertraging van 5 minuten uitgeschakeld.
3. Druk tegelijkertijd op de knoppen "▲" en "▼" om de kamertemperatuur op het digitaal scherm te controleren. Het scherm wordt ong. 10 seconden opgelicht.

Ventilatorsnelheidsknop

1. Druk op de ventilatorsnelheidsknop om een lage of hoge ventilatorsnelheid te selecteren. Het overeenkomstig controlelampje brandt.
2. Houd de ventilatorsnelheidsknop drie seconden ingedrukt om het uitleesvenster in of uit te schakelen. Wanneer het uitleesvenster uitgeschakeld wordt, wordt het bedieningspaneel 5 seconden na inactiviteit gedimd.

Timerknop

Timer AAN instelling:

- Wanneer het apparaat in stand-by staat, druk op de „TIMER“ knop en het overeenkomstig „TIMER“ controlelampje brandt.
- Druk op de knop "▲"/"▼" om een gewenste inschakelingstijd tussen 0 en 24 uur te selecteren. De waarde knippert op het digitaal scherm en de instelling treedt na ong. 5 seconden in werking.
- Het apparaat wordt automatisch ingeschakeld zodra de ingestelde tijd is verstreken.

Timer UIT instelling:

- Wanneer het apparaat in stand-by staat, druk op de „TIMER“ knop en het overeenkomstig controlelampje „TIMER“ brandt.
- Druk op de knop "▲"/"▼" knop om een gewenste uitschakelingstijd tussen 0 en 24 uur te selecteren. De waarde knippert op het digitaal scherm en de instelling treedt na ong. 5 seconden in werking. Het digitaal scherm geeft opnieuw de luchtvochtigheid weer.
- Het apparaat wordt automatisch uitgeschakeld zodra de ingestelde tijd is verstreken.

Opmerking: Druk opnieuw op de knop "TIMER" om de resterende tijd te controleren. Blijf op de knop „TIMER“ drukken en de timerfunctie wordt geannuleerd.

Kinderslotfunctie

Druk tegelijkertijd op de timerknop en ventilatorsnelheidsknop om de kinderslotfunctie in te schakelen. Het controlelampje "LOCK" brandt en alle knoppen op het bedieningspaneel zijn vergrendeld. Druk opnieuw tegelijkertijd op de timerknop en ventilatorsnelheidsknop om de kinderslotfunctie uit te schakelen.

Ontdooifunctie

Het apparaat opent de ontdooifunctie automatisch. Het controlelampje "DEF." brandt en de compressor stopt met werken. Wanneer ontdooid, dooft het controlelampje "DEF." en werkt de compressor opnieuw.

Opmerking:

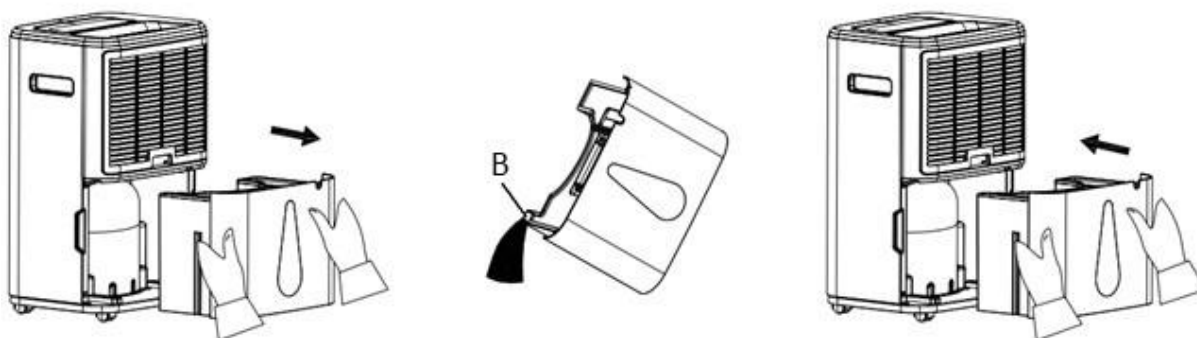
1. Het weergavebereik voor de ruimteluchtvochtigheid is 30~90%RH (ruimteluchtvochtigheid \leq 30%, scherm 30%; ruimteluchtvochtigheid \geq 90%, scherm 90%). De werkomgevingstemperatuur van dit apparaat is 5~32°C en de werkomgevingsvochtigheid is 10~95%RH.
2. De compressor heeft een beveiligingsfunctie met een vertraging van drie minuten. Wanneer de compressor werkt en de stroom wordt per ongeluk onderbroken, dan wordt de compressor na inschakeling niet opnieuw onmiddellijk gestart. De compressor zal pas na 3 minuten werken.

HET OPGEVANGEN WATER AFVOEREN

Als het waterreservoir vol is, brandt het waterreservoir vol-controlelampje. Het digitaal scherm geeft "FL" al knipperend weer. De werking stopt automatisch en de zoemer piept 5 keer om de gebruiker te waarschuwen dat het water uit het waterreservoir moet worden afgevoerd.

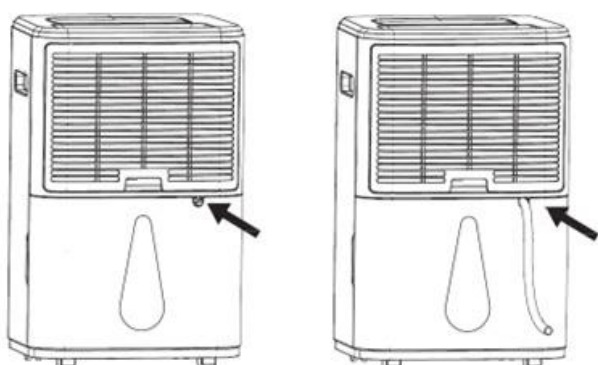
Het waterreservoir leegmaken

1. Trek het waterreservoir voorzichtig uit door het holle gedeelte aan beide zijden vast te houden.
2. Voer het opgevangen water weg via het afvoergat (B).
3. Plaats het waterreservoir terug door het horizontaal en voorzichtig in het apparaat te duwen. De handgreep op het deksel van het waterreservoir moet plat liggen.



Continue waterafvoer

Steek de inbegrepen kunststof slang in de continue afvoer en het condenswater wordt via deze uitlaat continu afgevoerd in plaats van het in het waterreservoir op te vangen. Zorg ervoor dat de slang naar beneden is geïnstalleerd, zodat het water ongehinderd en continu naar buiten kan stromen.



REINIGING EN ONDERHOUD

Maak het apparaat regelmatig schoon voor een lange levensduur en een juiste werking van het apparaat

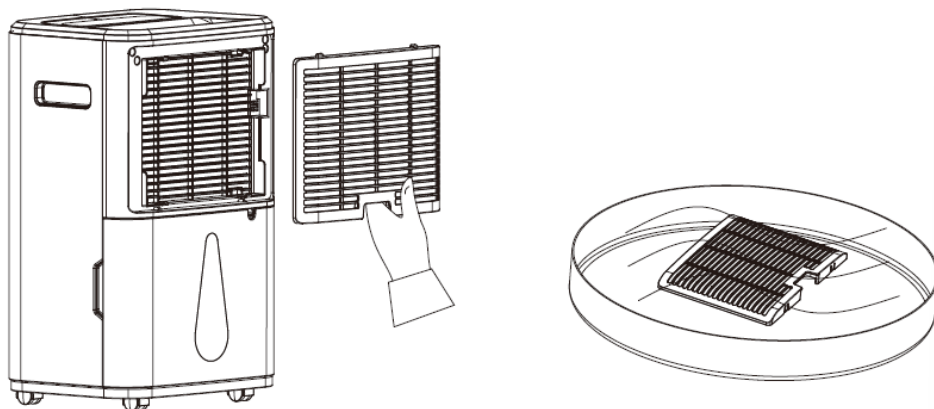
Waarschuwing: Voordat het apparaat wordt schoongemaakt, schakel het apparaat uit en haal de stekker uit het stopcontact om het risico op elektrische schokken te vermijden. Gebruik geen heet water of chemische oplosmiddelen om het apparaat te reinigen.

1. Maak het waterreservoir regelmatig schoon met koud of warm water en veeg het droog met een zachte doek om schimmelvorming te voorkomen.
2. Maak de buitenkant van het apparaat schoon met een vochtige doek. Gebruik geen schoonmaakmiddelen of schuursponsjes om het beschadigen van de kunststof buitenkant te vermijden.
3. Maak de filter schoon zoals beschreven in de volgende sectie.
4. Wanneer u denkt het apparaat langere tijd niet te gebruiken:
 - 1) Maak het waterreservoir leeg, veeg het droog en breng het opnieuw aan.
 - 2) Reinig de filter.
 - 3) Zet het apparaat rechtop en vermijd direct zonlicht.

Filter

Aan de achterkant van het apparaat bevindt zich een filterset die regelmatig moet worden verwijderd en schoongemaakt. De ontvochtigingscapaciteit kan afnemen wanneer de filterset verstopt is.

- Trek de filter vanaf de onderkant uit het apparaat en dompel het in schoon water.
- Het wordt aanbevolen om de filter na elke twee weken van continu gebruik schoon te maken.
- Als de filter niet vuil is, verwijder alleen het stof met een stofzuiger.
- Als de filter vuil is, was deze in koud water of warm water van maximaal 40 graden. Gebruik geen chemische oplosmiddelen of heet water.
- Veeg de filter grondig droog voordat u deze opnieuw installeert.



Opmerking:

Om vervorming van de filter te vermijden, laat deze na reiniging op een natuurlijke manier aan de lucht drogen. Gebruik nooit een droog- of verwarmingstoestel. Maak de filter niet schoon met alcohol, benzine, benzeen of een ander chemisch oplosmiddel.

PROBLEEMOPLOSSING

Status	Mogelijke oorzaak	Oplossingen
Hete lucht	De lucht van de luchtontvochtiger gaat door de binnentemperatuurterugwinunit, om de hete lucht af te voeren (geen koelfunctie)	Dit wijst niet op een storing.

De luchtontvochtiger werkt niet	Zit de stekker niet in het stopcontact?	Steek de stekker in het stopcontact.
	Is het waterreservoir vol? Of is het waterreservoir in de verkeerde richting geïnstalleerd?	Voer het stilstaand water in het reservoir af en breng het reservoir opnieuw in de juiste positie aan.
De ontvochtigingsfunctie werkt niet.	Is de temperatuur of de luchtvochtigheid in de kamer te laag?	De ontvochtigingscapaciteit van de luchtontvochtiger is tijdens het droog seizoen lager.
	Is de luchtinlaat of -uitlaat geblokkeerd?	Verwijder eventuele verstoppingen in de luchtuitlaat of -inlaat.
Geen wind	Is de luchtfilter verstopt?	Reinig de luchtfilter.
Te veel lawaai wanneer het apparaat in werking is.	Staat het apparaat niet stabiel of is het gekanteld?	Gebruik het apparaat niet op een onstabiele ondergrond.
	Is de luchtfilter verstopt?	Reinig de luchtfilter.

TECHNISCHE GEGEVENS

Ontvochtigingscapaciteit (30°C, 80%RH)	30 L/dag
Ontvochtigingscapaciteit (27°C, 60%RH)	16 L/dag
Nominale spanning	AC 220-240 V
Nominale frequentie	50 Hz
Nominaal ingangsvermogen	420 W
Nominale stroom	1,9 A
Koelmiddel	R290 / 74 g

GARANTIE EN KLANTENSERVICE

Vóór de levering worden onze apparaten streng gecontroleerd. Indien het toestel ondanks alle zorg bij de productie of tijdens het transport beschadigd werd, moet u het naar de handelaar terugbrengen. Naast het wettelijke recht op waarborg heeft de klant recht op de volgende garantieclaim:

Wij geven een garantie van 2 jaar op het toestel, te beginnen met de koopdatum. Indien u een defect product heeft, kunt u rechtstreeks terug gaan naar het aankooppunt.

Gebreken die het gevolg zijn van ondeskundig gebruik van het toestel, fouten tijdens ingrepen en reparaties door derden of door de inbouw van vreemde onderdelen, vallen niet onder deze garantie. Bewaar altijd uw aankoopnota, zonder aankoopnota kunt u geen aanspraak maken op enige vorm van garantie. Bij schade veroorzaakt door het niet opvolgen van de gebruiksaanwijzing vervalt het recht op garantie. Voor vervolgschade die hieruit ontstaat kunnen wij niet verantwoordelijk gehouden worden. Voor materiële schade of persoonlijk letsel veroorzaakt door ondeskundig gebruik of het niet opvolgen van de veiligheidsvoorschriften zijn wij niet aansprakelijk. In dergelijke gevallen vervalt iedere aanspraak op garantie. Schade aan accessoires of onderdelen betekend niet dat het gehele apparaat zal worden vervangen. Afgebroken glazen of kunststof onderdelen of accessoires vallen niet onder de garantie en zullen tegen vergoeding vervangen kunnen worden. Defecten aan hulpstukken of aan slijtage onderhevige onderdelen, alsmede reiniging, onderhoud of de vervanging van slijtende delen vallen niet onder de garantie en zullen dus in rekening gebracht worden.

MILIEUVRIENDELIJKE AFVALVERWERKING



Recycling – Europese Richtlijn 2012/19/EU

Deze markering betekent dat dit product niet samen met ander huishoudelijk afval mag worden afgedankt. Om het milieu en de volksgezondheid niet in gevaar te brengen en het hergebruik van grondstoffen te bevorderen, moet dit product op verantwoorde wijze worden afgevoerd. Lever verbruikte apparatuur a.u.b. in bij de hiervoor bestemde inzamelpunten of bij de winkel waar het product was aangeschaft. Zij zullen dit product accepteren voor milieuvriendelijke afvalverwerking.

Emerio B.V.

Oudeweg 115

2031 CC Haarlem

The Netherlands

Customer service:

T: +31 (0) 23 3034369

www.emerio.eu/service

Kundeninformation:

T: +49 (0) 3222 1097 600

www.emerio.eu/service

Klantenservice:

T: +31 (0) 23 3034369

www.emerio.eu/service

Looking for spare parts? Have a look at www.spareparts.emerio.eu

Sie brauchen Ersatzteile? Besuchen Sie www.ersatzteile.emerio.eu

Onderdelen nodig? Kijk op www.onderdelen.emerio.eu

INSTRUCTIES VOOR HET REPAREREN VAN APPARATEN DIE R290 BEVATTEN

1. Reparaties

1) Controle van de bedrijfsruimte

Voordat er kan worden gewerkt aan systemen die ontvlambare koudemiddelen bevatten, moeten er veiligheidscontroles worden uitgevoerd om het risico op ontsteking tot een minimum te beperken. De volgende voorzorgsmaatregelen dienen in acht te worden genomen voordat er reparaties aan het koelsysteem kunnen worden uitgevoerd.

2) Werkprocedure

De werkzaamheden moeten volgens een gecontroleerde procedure worden uitgevoerd om het risico op de aanwezigheid van een ontvlambaar gas of een ontvlambare damp tijdens de werkzaamheden tot een minimum te beperken.

3) Algemene werkomgeving

Al het onderhoudspersoneel en alle overige personen in de werkomgeving moeten worden geïnformeerd over de aard van de werkzaamheden die worden uitgevoerd. Werkzaamheden in besloten ruimtes moeten worden voorkomen. Het gebied rond de werkomgeving moet worden afgesloten. Zorg ervoor dat er veilig in de werkomgeving kan worden gewerkt door het te controleren op de aanwezigheid van ontvlambare stoffen.

4) Controleren op de aanwezigheid van koudemiddel

De omgeving moet voor en tijdens de werkzaamheden worden gecontroleerd met een gepaste koudemiddeldetector, zodat de technicus weet of er ontvlambare stoffen aanwezig zijn. Zorg ervoor dat de apparatuur voor lekdetectie geschikt is voor detectie van ontvlambare koudemiddelen, d.w.z. geen vonken afgeeft, goed is afgedicht en intrinsiek veilig is.

5) Aanwezigheid van een brandblusser

Als er hete werkzaamheden aan de koelapparatuur of bijbehorende onderdelen moeten worden verricht, moet er geschikte blusapparatuur aanwezig zijn. Zorg dat er een CO₂- of poederblusser in de buurt van de werkomgeving aanwezig is.

6) Geen ontstekingsbronnen

Geen enkele persoon die aan een koelsysteem werkzaamheden verricht waarbij leidingen worden blootgelegd die ontvlambaar koudemiddel bevatten of hebben bevat, mag ontstekingsbronnen op zo'n manier gebruiken dat deze een brand- of explosiegevaar vormt. Alle mogelijke ontstekingsbronnen, waaronder brandende sigaretten, moeten uit de buurt van de ruimte waar het apparaat wordt geïnstalleerd, gerepareerd, verwijderd of afgedankt worden gehouden aangezien ontvlambaar koudemiddel vrij kan komen. Vóór het begin van de werkzaamheden moet het gebied rond de apparatuur worden gecontroleerd op de aanwezigheid van ontbrandingsgevaaren en ontstekingsrisico's. Er moeten borden worden geplaatst met de tekst "Niet roken".

7) Geventileerde omgeving

Zorg ervoor dat de werkomgeving in de buitenlucht is of voldoende wordt geventileerd, voordat het systeem wordt geopend of hete werkzaamheden worden verricht. Tijdens de werkzaamheden moet er voortdurend ventilatie zijn. De ventilatie moet ervoor zorgen dat vrijgekomen koudemiddel wordt verspreid en bij voorkeur wordt afgegeven naar de buitenlucht.

8) Controle van de koelapparatuur

Bij het vervangen van elektrische componenten moeten componenten worden gebruikt die geschikt zijn voor het doel en die de juiste specificaties hebben. Volg altijd de onderhouds- en reparatierichtlijnen van de fabrikant. In geval van twijfel, neem contact op met de technische dienst van de fabrikant.

Voer de volgende controles uit op installaties die brandbaar koudemiddel gebruiken:

- De hoeveelheid koudemiddel moet in overeenstemming zijn met de omvang van de ruimte waarin de apparatuur met koudemiddel wordt geplaatst;
- De ventilatieapparatuur en -uitlaten werken naar behoren en worden niet geblokkeerd;
- Als een indirect koelcircuit wordt gebruikt, controleer het secundaire circuit op de aanwezigheid van koudemiddel;

- De markering op het apparaat moeten goed zichtbaar en leesbaar zijn. Markeringen en tekens die niet leesbaar zijn moeten worden vervangen;
- Installeer koelleidingen of onderdelen van het koelcircuit in een positie waar ze niet blootgesteld kunnen worden aan stoffen die de onderdelen die het koudemiddel bevatten kunnen corroderen, tenzij deze onderdelen van een materiaal zijn gemaakt die corrosiebestendig zijn of gepast tegen corrosie zijn beschermd.

9) Controle van elektrische apparatuur

Als onderdeel van reparatie- en onderhoudswerkzaamheden aan elektrische componenten moeten vooraf veiligheidscontroles worden uitgevoerd en moeten de componenten worden geïnspecteerd. Als een defect wordt geconstateerd dat de veiligheid in gevaar kan brengen, mag er geen stroomtoevoer op het circuit worden aangesloten, voordat het defect adequaat is verholpen. Als het defect niet direct kan worden verholpen, maar de bedrijfswerkzaamheden niet langer kunnen worden onderbroken, moet er een adequate en tijdelijke oplossing worden gevonden. Van deze tijdelijke oplossing moet melding worden gemaakt bij de eigenaar van het apparaat, zodat alle partijen op de hoogte zijn. Tot de initiële veiligheidscontroles behoren:

- De condensatoren moeten worden ontladen: dit moet op een veilige manier worden gedaan om de mogelijkheid op vonken te voorkomen;
- Er mogen geen actieve elektrische componenten en draden blootliggen tijdens het opladen, herstellen of spoelen van het systeem;
- Het systeem moet continu geaard zijn.

2. Reparaties op de afgedichte onderdelen

- 1) Tijdens de reparatie van afgedichte componenten moet alle stroomtoevoer worden ontkoppeld van het apparaat waaraan wordt gewerkt, voordat afdichtingen mogen worden verwijderd. Indien het absoluut noodzakelijk is dat er tijdens onderhoudswerkzaamheden stroomtoevoer naar het apparaat is, moet er een permanent werkende lekdetector worden geplaatst op het meest kritieke punt, zodat deze kan waarschuwen als er een gevaarlijke situatie optreedt.
- 2) Op de volgende punten moet bijzonder goed worden gelet om te voorkomen dat de behuizing van elektrische componenten tijdens werkzaamheden zijn beschermende functie niet verliest. Hiertoe behoort schade aan kabels, te veel aansluitingen, terminals die niet voldoen aan de oorspronkelijke specificaties, schade aan afdichtingen, niet goed passende wartels, enz.

Zorg dat het apparaat op een juiste manier in elkaar is gezet. Zorg dat de afdichtingen of het afdichtingsmateriaal niet zijn versleten om indringing van brandbare stoffen te vermijden. De reserveonderdelen moeten in overeenstemming zijn met de specificaties van de fabrikant.

OPMERKING: Het gebruik van een silicone afdichtmiddel kan een impact hebben op de juiste werking van bepaalde lekdetectieapparatuur. Intrinsieke veilige onderdelen moeten niet eerst worden geïsoleerd alvorens er werkzaamheden op uit te voeren.

3. Reparatie van intrinsiek veilige componenten

Stel het circuit niet bloot aan permanente inductie- of condensatorbelasting zonder van tevoren te controleren of deze belasting de toegestane spanning en stroomsterkte van het apparaat niet overschrijdt. Intrinsiek veilige componenten zijn de enige componenten waaraan kan worden gewerkt als er stroom op staat en er ontvlambare gassen of dampen aanwezig zijn. Het testapparaat moet aan de specificaties voldoen. Vervang de componenten alleen met door de fabrikant gespecificeerde componenten. Andere onderdelen kunnen het koudemiddel in brand steken wanneer er een lek aanwezig is.

4. Bekabeling

Controleer of de bekabeling niet onderhevig is aan slijtage, corrosie, overmatige druk, trillingen, scherpe randen of andere nadelige factoren in de bedrijfsomgeving. Houd tevens rekening met de effecten van veroudering en de continue trillingen van bronnen als compressors en ventilatoren.

5. Detectie van ontvlambaar koudemiddel

Onder geen enkele omstandigheid mogen er ontstekingsbronnen worden gebruikt voor het zoeken naar of detecteren van lekkend koudemiddel. Er mogen geen lekzoeklampen (of andere detectoren met een open vlam) worden gebruikt.

6. Methodes voor lekdetectie

De volgende lekdetectiemethodes zijn geschikt bevonden voor systemen die ontvlambaar koudemiddel bevatten.

Elektronische lekdetectoren kunnen worden gebruikt voor het detecteren van brandbare koudemiddelen. De gevoeligheid kan echter ongepast zijn of herkalibratie kan nodig zijn. (Kalibreer de detectieapparatuur in een gebied zonder koudemiddel). Zorg dat de detector geen potentiële ontstekingsbron is en voor het gebruikte koudemiddel gepast is. Stel de lekdetectieapparatuur in op een percentage van de LFL van het koudemiddel en kalibreer het volgens het gebruikte koudemiddel en de gepaste gaspercentage (maximum 25%). Lekdetectievloeistoffen zijn gepast voor gebruik met de meeste koudemiddelen, maar gebruik geen detergents die chloor bevatten. De chloor kan reageren met het koudemiddel en de koperen leidingen corroderen. Als een lek wordt vermoed, verwijder/ doof alle open vlammen. Als een koudemiddellek wordt gevonden en er gesoldeerd moet worden, moet al het koudemiddel uit het systeem worden verwijderd of met behulp van ventielen worden geïsoleerd in een deel van het systeem dat zich op afstand van het lek bevindt. Zowel vóór als tijdens het solderen moet het systeem worden gespoeld met zuurstofvrije stikstof.

7. Verwijderen en vacuüm zuigen

Er worden algemene procedures gehanteerd voor reparatie- of andere werkzaamheden aan het koudemiddelcircuit. Houd met het oog op de ontvlambaarheid van koudemiddelen echter de volgende maatregelen in acht. Voer de volgende procedure uit:

- Verwijder het koudemiddel;
- Ontlucht het circuit met inert gas;
- Maak luchtledig;
- Ontlucht opnieuw met inert gas;
- Open het circuit door het te snijden of te solderen.

Het verwijderde koudemiddel moet worden opgevangen in de juiste verzamelingscilinders. Het systeem moet worden doorgespoeld met zuurstofvrije stikstof om het systeem veilig te maken. Het is mogelijk dat dit proces meerdere keren moet worden herhaald. Hiervoor mag geen gebruik worden gemaakt van perslucht of zuurstof. Het doorspoelen gebeurt door het vacuüm in het systeem op te heffen met zuurstofvrije stikstof tot de bedrijfsdruk is bereikt, de stikstof te laten ontsnappen in de omgevingslucht en het systeem vervolgens opnieuw vacuüm te zuigen. Dit proces moet worden herhaald tot er geen koudemiddel meer in het systeem aanwezig is. Wanneer er voor het laatst zuurstofvrije stikstof is toegepast, moet dit worden vrijgegeven aan de omgevingslucht tot de omgevingsdruk is bereikt. Vervolgens kan er met de werkzaamheden worden begonnen. Deze procedure is absoluut noodzakelijk als er soldeerwerkzaamheden op de leidingen dienen te gebeuren. Zorg dat de uitlaat van de vacuümpomp zich niet in de buurt van een ontstekingsbron bevindt en er voldoende ventilatie aanwezig is.

8. Vulprocedures

Naast de algemene vulprocedures moeten de volgende vereisten worden nageleefd.

- Zorg ervoor dat er bij het gebruik van de vulapparatuur geen vermenging van verschillende koudemiddelen optreedt. Slangen of leidingen moeten zo kort mogelijk worden gehouden om de hoeveelheid koudemiddel tot een minimum te beperken.
- De cilinders moeten rechtop staan.
- Zorg ervoor dat het koudemiddelsysteem geaard is, voordat het systeem wordt gevuld met koudemiddel.

- Label het systeem wanneer het is gevuld (indien dit nog niet is gedaan).
- Het is uiterst belangrijk dat het systeem niet overmatig gevuld wordt.

Voordat het systeem opnieuw wordt gevuld, moet er een druktest met zuurstofvrije stikstof worden uitgevoerd. Het systeem moet na het vullen, maar vóór ingebruikname, worden getest op lekkage. Een tweede lekttest moet worden uitgevoerd alvorens de locatie te verlaten.

9. Ontmanteling

Voordat deze procedure wordt uitgevoerd, moet de technicus volledig bekend zijn met het apparaat. Het wordt aanbevolen dat alle koudemiddelen veilig worden opgevangen. Vóór het uitvoeren van de taak moet er een olie- en koudemiddelmonster worden genomen, voor het geval het opgevangen koudemiddel vóór hergebruik moet worden geanalyseerd. Het is essentieel dat er stroomtoevoer is vóór de werkzaamheden beginnen.

- a) Raak vertrouwd met het apparaat en zijn werking.
- b) Zorg voor gepaste elektrische isolatie van het systeem.
- c) Voordat u de procedure uitvoert:
 - Indien nodig, zorg dat er mechanische uitrusting voor het behandelen van de bewaarflessen met koudemiddel aanwezig is;
 - Zorg voor persoonlijke beschermingsmiddelen en dat ze juist worden gebruikt;
 - Zorg tijdens het terugwinningsproces voor een continu toezicht door een vakbekwame persoon.
 - Zorg dat de gebruikte terugwinningsuitrusting en bewaarflessen in overeenstemming zijn met de gepaste normen.
- d) Pomp het koudemiddelsysteem indien mogelijk leeg.
- e) Als gebruik van een vacuümpomp niet mogelijk is, moet een verdeelstuk worden gebruikt zodat het koudemiddel van verschillende onderdelen van het systeem kan worden verwijderd.
- f) Zorg ervoor dat de cilinder op de weegschaal staat voordat het koudemiddel wordt opgevangen.
- g) Start de opvangmachine en bedien deze volgens de instructies van de fabrikant.
- h) Vul de cilinders niet te veel. (Niet meer dan 80% van het vloeistofvolume)
- i) Overschrijd de maximale werkdruk van de cilinder niet, zelfs niet tijdelijk.
- j) Als de cilinders correct zijn gevuld en het proces is voltooid, moeten de cilinders en het apparaat snel van de locatie worden verwijderd en moeten alle isolatieventielen op het apparaat worden afgesloten.
- k) Verzameld koudemiddel mag pas voor een ander koudemiddelsysteem worden gebruikt, als het is schoongemaakt en gecontroleerd.

10. Labeling

Het apparaat moet worden voorzien van een label waarop staat vermeld dat het apparaat is ontmanteld en dat het koudemiddel is verwijderd. Het label moet worden gedateerd en ondertekend. Zorg ervoor dat er labels op de cilinders aanwezig zijn met vermelding dat de cilinders onvlambaar koudemiddel bevatten.

11. Herstel

Bij het opvangen van koudemiddel van een systeem, voor zowel onderhoud als ontmanteling, moeten alle koudemiddelen op een veilige manier worden verwijderd. Wanneer koudemiddel wordt opgevangen in cilinders mogen alleen geschikte cilinders voor koudemiddel worden gebruikt. Zorg dat u het nodige aantal cilinders hebt om alle koudemiddel te kunnen bewaren. Alle cilinders die worden gebruikt, zijn bestemd voor het opvangen van koudemiddel en moeten als zodanig worden gelabeld (d.w.z. speciale cilinders voor het opvangen van koudemiddel). De cilinders moeten compleet zijn, met een overdrukventiel en afsluitventielen, en alle onderdelen moeten in goede staat verkeren. Lege opvangcilinders moeten met een vacuümpomp worden geleegd en, indien mogelijk, worden gekoeld vóór het opvangen van het koudemiddel. De opvangapparatuur moet zich in een goede staat bevinden, voorzien zijn van instructies en geschikt zijn voor het opvangen van onvlambare koudemiddelen. Daarnaast moet er een gekalibreerde weegschaal aanwezig zijn die in goede staat

verkeert. Slangen moeten intact zijn, compleet met lekvrije en juist werkende koppelstukken. Controleer vóór gebruik of de opvangmachine in een goede staat verkeert, goed is onderhouden en dat alle elektrische componenten zijn afgedicht om ontsteking te voorkomen in geval koudemiddel vrijkomt. In geval van twijfel, neem contact op met de fabrikant. Lever het teruggewonnen koudemiddel in bij uw leverancier van koudemiddel, in de juiste cilinder en voorzien van de relevante documentatie. Meng geen koudemiddelen in opvangunits en, in het bijzonder, niet in cilinders. Als er compressoren of compressorolie moeten worden verwijderd, moet de olie tot een acceptabel niveau worden afgezogen met een vacuümpomp, zodat er geen onvlambaar koudemiddel in de olie achterblijft. Het vacuümproces moet vóór retournering van de compressor aan de leverancier worden uitgevoerd. Om dit proces te versnellen mag de compressorbehuizing uitsluitend elektrisch worden verwarmd. Olie moet altijd voorzichtig uit een systeem worden verwijderd.

Competentie van het onderhoudspersoneel

Algemeen

Speciale opleiding naast de gebruikelijke reparatieprocedures voor koelapparatuur is nodig wanneer het apparaat met onvlambaar koudemiddel betreft.

In vele landen wordt deze opleiding gegeven door nationale opleidingsorganisaties die geaccrediteerd zijn om de relevante nationale competentienormen, die wettelijk vastgelegd kunnen zijn, bij te brengen.

De behaalde competentie moet in een certificaat zijn vastgelegd.

Opleiding

De opleiding moet het volgende bevatten:

Informatie over het explosiepotentieel van ontvlambare koudemiddelen om aan te tonen dat ontvlambare stoffen gevaarlijk kunnen zijn wanneer ze verkeerd worden behandeld.

Informatie over mogelijke ontstekingsbronnen, in het bijzonder deze die niet vanzelfsprekend zijn, zoals aanstekers, lichtschakelaars, stofzuigers, elektrische verwarmingstoestellen.

Informatie over de verschillende veiligheidsconcepten:

Ongeventileerd – De veiligheid van het apparaat is niet afhankelijk van de ventilatie van de behuizing. Het uitschakelen van het apparaat of het openen van de behuizing heeft geen beduidend gevolg voor de veiligheid. Het is echter mogelijk dat er lekkend koudemiddel in de behuizing ophoopt en er een ontvlambare atmosfeer bij het openen van de behuizing vrijkomt.

Geventileerde behuizing – De veiligheid van het apparaat is afhankelijk van de ventilatie van de behuizing. Het uitschakelen van het apparaat of het openen van de behuizing heeft geen beduidend gevolg voor de veiligheid. De ventilatie van de ruimte mag tijdens de reparatieprocedures niet worden uitgeschakeld.

Geventileerde ruimte – De veiligheid van het apparaat is afhankelijk van de ventilatie van de ruimte. Het uitschakelen van het apparaat of het openen van de behuizing heeft geen beduidend gevolg voor de veiligheid. De ventilatie van de ruimte mag tijdens de reparatieprocedures niet worden uitgeschakeld.

Informatie over het concept van afgedichte componenten en afgedichte behuizingen overeenkomstig IEC 60079-15:2010.

Informatie over de juiste werkprocedures:

a) Inbedrijfstelling

- Zorg dat het vloeroppervlak voldoende groot is voor het koudemiddel of dat de ventilatieslang op een juiste manier is aangebracht.
- Sluit de leidingen aan en voer een lekttest uit voordat u het apparaat met koudemiddel vult.
- Controleer de veiligheidsapparatuur alvorens het apparaat in bedrijf te stellen.

b) Onderhoud

- Repareer draagbare apparatuur buiten of in een werkplaats die specifiek is bestemd voor het repareren van apparaten met onvlambaar koudemiddel.
- Zorg voor voldoende ventilatie in de werkplaats.
- Storing van de apparatuur kan optreden door verlies van koudemiddel en een koudemiddellek is mogelijk.

- Gooi condensatoren op een juiste manier weg zodat er geen vonkvorming mogelijk is. De standaardprocedure om de aansluitklemmen van condensatoren kort te sluiten veroorzaakt over het algemeen vonken.
 - Breng de afgedichte behuizingen opnieuw op een juiste manier aan. Als de afdichtingen versleten zijn, vervang ze.
 - Controleer de veiligheidsapparatuur alvorens het apparaat in bedrijf te stellen.
- c) Reparatie
- Repareer draagbare apparatuur buiten of in een werkplaats die specifiek is bestemd voor het repareren van apparaten met ontvlambaar koudemiddel.
 - Zorg voor voldoende ventilatie in de werkplaats.
 - Storing van de apparatuur kan optreden door verlies van koudemiddel en een koudemiddellek is mogelijk.
 - Gooi condensatoren op een juiste manier weg zodat er geen vonkvorming mogelijk is.
 - Als soldeerwerkzaamheden nodig zijn, voer de volgende procedures in de juiste volgorde uit:
 - Verwijder het koudemiddel. Als terugwinning door de nationale regelgeving niet vereist is, voer het koudemiddel naar buiten af. Zorg dat het afgevoerde koudemiddel geen gevaar oplevert. In geval van twijfel, laat een persoon toezicht op de uitlaat houden. Zorg ervoor dat er geen afgevoerd koudemiddel opnieuw in het gebouw stroomt.
 - Zuig het koudemiddelcircuit vacuüm.
 - Spoel het koudemiddelcircuit gedurende 5 minuten met stikstof.
 - Zuig het circuit opnieuw vacuüm.
 - Verwijder de te vervangen onderdelen door ze af te snijden, en niet met gebruik van een vlam.
 - Spoel het soldeerpunt met stikstof tijdens de soldeerprocedure.
 - Voer een lektest uit voordat u het apparaat met koudemiddel vult.
 - Breng de afgedichte behuizingen opnieuw op een juiste manier aan. Als de afdichtingen versleten zijn, vervang ze.
 - Controleer de veiligheidsapparatuur alvorens het apparaat in bedrijf te stellen.
- d) Ontmanteling
- Als de veiligheid wordt aangetast tijdens het buiten dienst stellen van de apparatuur, verwijder het koudemiddel voordat u start met de ontmanteling.
 - Zorg voor voldoende ventilatie in de ruimte waar de apparatuur zich bevindt.
 - Storing van de apparatuur kan optreden door verlies van koudemiddel en een koudemiddellek is mogelijk.
 - Gooi condensatoren op een juiste manier weg zodat er geen vonkvorming mogelijk is.
 - Verwijder het koudemiddel. Als terugwinning door de nationale regelgeving niet vereist is, voer het koudemiddel naar buiten af. Zorg dat het afgevoerde koudemiddel geen gevaar oplevert. In geval van twijfel, laat een persoon toezicht op de uitlaat houden. Zorg ervoor dat er geen afgevoerd koudemiddel opnieuw in het gebouw stroomt.
 - Zuig het koudemiddelcircuit vacuüm.
 - Spoel het koudemiddelcircuit gedurende 5 minuten met stikstof.
 - Zuig het circuit opnieuw vacuüm.
 - Vul tot aan de atmosferische druk met stikstof.
 - Breng een label op de apparatuur aan met de vermelding dat het koudemiddel is verwijderd.
- e) Verwijdering
- Zorg voor voldoende ventilatie in de werkplaats.
 - Verwijder het koudemiddel. Als terugwinning door de nationale regelgeving niet vereist is, voer het koudemiddel naar buiten af. Zorg dat het afgevoerde koudemiddel geen gevaar oplevert. In geval van twijfel, laat een persoon toezicht op de uitlaat houden. Zorg ervoor dat er geen afgevoerd koudemiddel opnieuw in het gebouw stroomt.
 - Zuig het koudemiddelcircuit vacuüm.
 - Spoel het koudemiddelcircuit gedurende 5 minuten met stikstof.
 - Zuig het circuit opnieuw vacuüm.
 - Snij de compressor uit en voer de olie af.

Transport, markering en opslag van apparaten die ontvlambaar koudemiddel gebruiken

Transport van apparatuur die ontvlambaar koudemiddel bevat

Opgelet! Extra transportvoorschriften kunnen gelden voor wat betreft apparatuur die ontvlambaar gas bevat. Het maximum aantal apparaten of de samenstelling van de apparatuur die samen mag worden opgeslagen wordt bepaald door de geldende transportvoorschriften.

Markering van apparatuur met behulp van aanduidingen

Aanduidingen voor gelijksoortige apparaten, die in een werkgebied worden gebruikt, worden over het algemeen bepaald door de lokale regelgeving en geven de minimum voorschriften inzake veiligheids- en/of gezondheidssignalering op het werk aan.

Alle vereiste aanduidingen moeten in een goede staat worden gehouden en de werkgevers moeten ervoor zorgen dat de werknemers gepaste en voldoende instructies en opleiding krijgen over de betekenis van de gepaste veiligheidsaanduidingen en de uit te voeren handelingen die met deze aanduidingen verband houden. De doeltreffendheid van de aanduidingen mag niet afnemen door het aanbrengen van te veel aanduidingen op een bepaalde plaats.

De gebruikte pictogrammen moeten zo eenvoudig mogelijk zijn en alleen essentiële details bevatten.

Afdanking van apparatuur die ontvlambare koudemiddelen gebruiken.

Zie de nationale wetgeving.

Opslag van apparatuur

De opslag van apparatuur moet in overeenstemming zijn met de instructies van de fabrikant.

Opslag van verpakte (niet-verkochte) apparatuur

De opslagverpakking moet zodanig worden beschermd dat mechanische beschadiging van de apparatuur in de verpakking niet kan resulteren in lekkage van het koudemiddel.

Het maximum aantal apparaten dat samen mag worden opgeslagen wordt bepaald door de lokale wetgeving.

INSTRUKCJE DOTYCZĄCE BEZPIECZEŃSTWA

Aby nie dopuścić do urazów lub uszkodzeń oraz aby maksymalnie wykorzystać możliwości urządzenia, przed rozpoczęciem jego użytkowania należy przeczytać wszystkie poniższe zalecenia. Niniejszą instrukcję należy przechowywać w bezpiecznym miejscu. W przypadku przekazania lub odstąpienia komuś tego urządzenia, do urządzenia należy dołączyć również tę instrukcję.

W przypadku uszkodzenia spowodowanego nieprzestrzeganiem przez użytkownika zaleceń podanych w niniejszej instrukcji gwarancja nie ma zastosowania. Producent/importer nie ponosi odpowiedzialności za szkody spowodowane nieprzestrzeganiem podanych w instrukcji zaleceń, zaniedbaniami oraz użytkowaniem w sposób niezgodny z wymaganiami opisanymi w instrukcji.

1. Prosimy przeczytać i zachować tę instrukcję. Uwaga: ilustracje w instrukcji obsługi są podane wyłącznie w celach orientacyjnych.
2. Pod warunkiem zapewnienia odpowiedniego nadzoru, pouczenia na temat bezpiecznej obsługi i dopilnowania zrozumienia zagrożeń, urządzenie może być używane przez dzieci w wieku od lat 8, osoby o ograniczeniach fizycznych, czuciowych lub psychicznych, a także osoby, którym brak jest doświadczenia lub wiedzy.
3. Dzieci nie powinny bawić się urządzeniem.
4. Dzieci nie mogą bez nadzoru wykonywać czynności związanych z czyszczeniem i konserwacją.
5. Jeżeli kabel zasilający zostanie uszkodzony, aby uniknąć niebezpiecznych sytuacji, należy go wymienić. Wymiany powinien dokonać producent, przedstawiciel jego serwisu lub inne osoby o podobnych kwalifikacjach.
6. Przed włożeniem wtyczki do kontaktu, należy sprawdzić, czy napięcie i częstotliwość są zgodne ze specyfikacją podaną na tabliczce znamionowej.

7. Jeżeli jest używany przedłużacz, musi on być dostosowany do mocy pobieranej przez urządzenie. W przeciwnym wypadku może dojść do przegrzania się przedłużacza i/lub wtyczki. Istnieje potencjalne ryzyko urazów na skutek potknięcia się o przewód zasilający. Zachowaj ostrożność, by uniknąć niebezpiecznych sytuacji.
8. Przed czyszczeniem i na czas, gdy urządzenie nie jest używane, należy wyjąć wtyczkę z kontaktu.
9. Należy dopilnować, aby kabel zasilający nie zwisał z ostrych krawędzi. Należy go trzymać z dala od gorących przedmiotów i otwartych płomieni.
10. Urządzenia i wtyczki kabla zasilającego nie wolno zanurzać w wodzie lub innych płynach. Ryzyko utraty życia wskutek porażenia prądem!
11. W celu wyjęcia wtyczki z kontaktu należy ciągnąć za wtyczkę. Nie należy ciągnąć za kabel zasilający.
12. Nie należy mokrą ręką wkładać wtyczki urządzenia do kontaktu lub wyjmować jej z niego.
13. Nigdy nie należy próbować otwierać obudowy urządzenia lub samodzielnie urządzenie naprawić. Mogłoby to doprowadzić do porażeniem prądem.
14. Urządzenie nie zostało zaprojektowane do użytku komercyjnego. Tylko do użytku w zamkniętych pomieszczeniach.
15. Urządzenia nie należy używać do celów, do których nie jest ono przeznaczone.
16. Kabla nie należy owijać wokół urządzenia ani zaginać.
17. Urządzenia nie należy używać: blisko źródła ognia, w miejscach, gdzie może chlapać olej, w miejscach bezpośrednio nasłonecznionych, w miejscach, gdzie może chlapać woda, a także obok wanny, pralni, prysznic lub basenu.
18. Do wylotów powietrza nigdy nie wolno wkładać palców. Szczególną uwagę należy zwrócić na ostrzeżenie o tych zagrożeniach dzieci.

19. W czasie transportu i użytkowania urządzenie musi stać w pozycji pionowej – wynika to z konieczności odpowiedniego ustawienia kompresora.
20. Przed czyszczeniem lub przestawieniem w inne miejsce należy zawsze wyłączyć urządzenie i odłączyć zasilanie.
21. Aby nie spowodować pożaru i nie dopuścić do innych zagrożeń, urządzenia nie wolno nigdy zakrywać.
22. Urządzenie należy zainstalować zgodnie z krajowymi przepisami dotyczącymi sposobu prowadzenia okablowania.
23. W celu przeprowadzenia naprawy lub serwisowania urządzenia należy się skontaktować z technikiem autoryzowanego serwisu.
24. Nie należy ciągnąć, odkształcać ani przerabiać przewodu zasilającego, nie wolno go też zanurzać w wodzie. Ciągnięcie lub niewłaściwe użytkowanie przewodu zasilającego może doprowadzić do uszkodzenia urządzenia lub do porażenia prądem.
25. Należy przestrzegać krajowych przepisów w sprawie gazu.
26. Czynności serwisowe powinny być wykonywane wyłącznie zgodnie z zaleceniami producenta urządzenia. Czynności konserwacyjne i naprawy wymagające pomocy innych wykwalifikowanych osób powinny być wykonywane pod nadzorem osoby kompetentnej w zakresie łatwopalnych czynników chłodniczych.
27. Urządzenia nie należy włączać ani włączać przez wkładanie lub wyjmowanie wtyczki przewodu zasilającego, może to bowiem doprowadzić do porażenia prądem lub spowodować pożar wskutek wytwarzania się ciepła.
28. Jeśli z urządzenia dochodzą dziwne dźwięki, zapachy lub pojawia się dym, urządzenie należy odłączyć od zasilania.
29. Urządzenie należy zawsze podłączać do kontaktu ściennego z uziemieniem.
30. Nie należy używać jakichkolwiek środków przyspieszających proces odszraniania lub czyszczenia innych niż te, które zaleca producent.

31. Urządzenie należy przechowywać w pomieszczeniu, w którym nie ma włączonych na stałe źródeł zapłonu (np.: otwarte płomienie, włączone urządzenie gazowe lub włączony grzejnik elektryczny).
32. Nie przebijać, nie wrzucać do ognia.
33. Należy mieć świadomość, że czynnik chłodniczy może być bezwonny.
34. Jeżeli urządzenie zostanie zainstalowane i będzie używane lub przechowywane w pomieszczeniu bez wentylacji, pomieszczenie to musi być zaprojektowane w taki sposób, aby zapobiegało zbieraniu się czynnika chłodniczego wydostającego się z obwodu wskutek nieszczelności, ponieważ stwarza on ryzyko pożaru lub wybuchu wskutek zapalenia się chłodziwa od grzejników elektrycznych, kuchenek lub innych źródeł zapłonu.
35. Urządzenie należy przechowywać w taki sposób, aby zapobiec usterce mechanicznej.
36. Urządzenie zawiera czynnik chłodniczy R290. R290 jest chłodziwem gazowym spełniającym europejskie dyrektywy w sprawie środowiska. Nie wolno przebijać jakiegokolwiek części obwodu z czynnikiem chłodniczym.
37. Osoby obsługujące obwód z czynnikiem chłodniczym lub pracujące przy nim muszą posiadać odpowiedni certyfikat wydany przez akredytowaną organizację, zapewniający posiadanie kompetencji odpowiednich do pracy przy czynnikach chłodniczych zgodnie ze szczegółową oceną uznawaną przez stowarzyszenia branżowe.
38. Instrukcje dotyczące naprawy urządzeń zawierających czynnik chłodniczy R290 podano poniżej.
39. Aby nie dopuścić do uszkodzenia, urządzenie należy ustawić w pozycji pionowej na co najmniej 2 godziny przed włączeniem.



Ostrzeżenie: Ryzyko pożaru / Materiały łatwopalne.



Przeczytaj instrukcje.



Podręcznik operatora; instrukcje obsługi.



Wskaźnik serwisu; przeczytaj instrukcję techniczną.

Ostrzeżenie: Otwory wentylacyjne muszą znajdować się z dala od przeszkód.

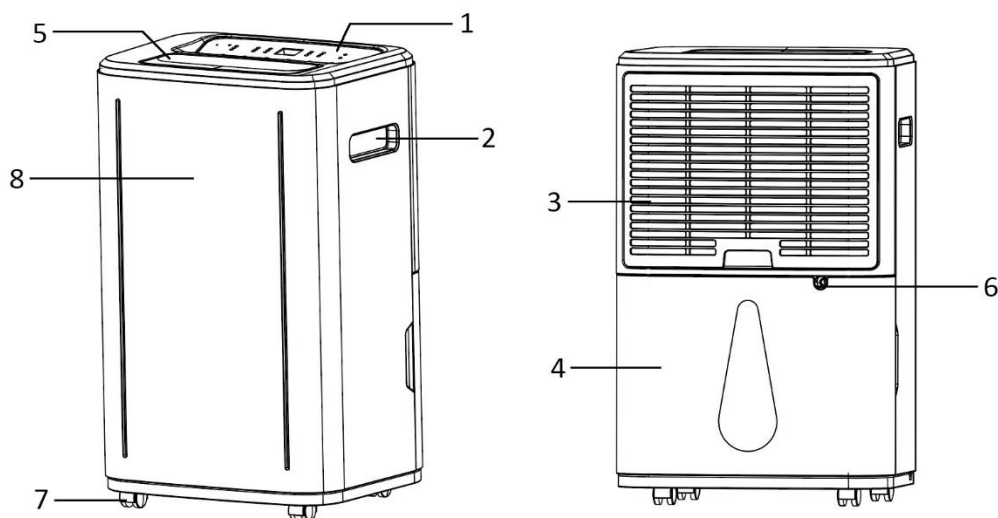
Ostrzeżenie: Urządzenie należy przechowywać w miejscu posiadającym dobrą wentylację, w pomieszczeniu o powierzchni takiej jak przewidziano dla tego urządzenia.

Wszystkie procedury robocze mające wpływ na bezpieczeństwo muszą być wykonywane wyłącznie przez osoby kompetentne.

Wymagana odległość wokół urządzenia powinna wynosić co najmniej 30 cm.

Urządzenie powinno być zainstalowane, używane i przechowywane w pomieszczeniu o powierzchni podłogi powyżej 4 m².

OPIS CZĘŚCI



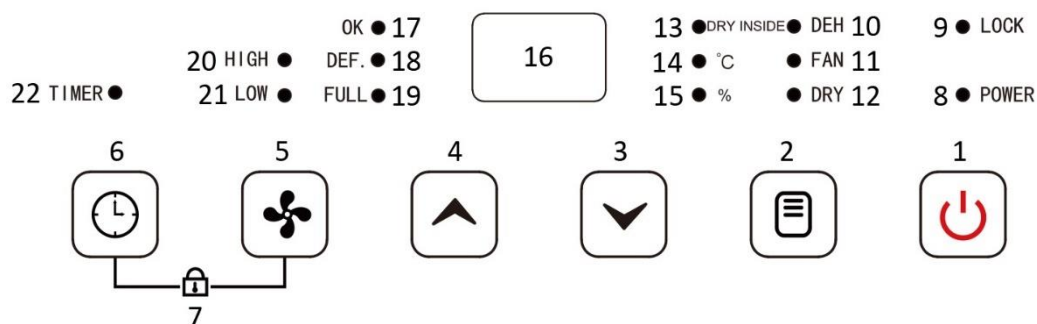
1. Panel sterowania
2. Uchwyt
3. Wlot powietrza i filtr
4. Zbiornik na wodę
5. Wylot powietrza (z pokrywą)
6. Ciągłe odprowadzanie wody
7. Koła
8. Wyświetlacz wskazujący

Ważne! Aby nie dopuścić do uszkodzenia podczas transportu, przewód zasilający jest schowany w zbiorniku na wodę. Aby przed użyciem wyjąć przewód zasilający, należy wykonać następujące kroki:

- 1) Lekko wysunąć zbiornik na wodę, aby wyciągnąć część przewodu zasilającego.
- 2) Następnie całkowicie wysunąć zbiornik na wodę.
- 3) Otworzyć pokrywę zbiornika po prawej stronie, aby wyjąć przewód zasilający ze zbiornika na wodę.
- 4) Włożyć zbiornik na wodę z powrotem na swoje miejsce.



PANEL STEROWANIA



1. Przycisk włączania/gotowości
2. Przycisk trybu
3. Przycisk zmniejszania ustawienia
4. Przycisk zwiększania ustawienia
5. Przycisk prędkości wentylatora
6. Przycisk minutnika
7. Sygnalizacja przycisków blokady obsługi przez dzieci
8. Kontrolka zasilania
9. Kontrolka sygnalizująca blokadę obsługi przez dzieci
10. Kontrolka sygnalizująca tryb osuszania powietrza
11. Kontrolka sygnalizująca tryb wentylatora
12. Kontrolka sygnalizująca tryb suszenia odzieży
13. Kontrolka sygnalizująca funkcję strony suchej
14. Kontrolka sygnalizująca wyświetlacz temperatury
15. Kontrolka sygnalizująca wyświetlacz wilgotności
16. Wyświetlacz cyfrowy
17. Kontrolka sygnalizująca osiągnięcie docelowej wilgotności
18. Kontrolka funkcji odszraniania
19. Kontrolka pełnego zbiornika na wodę (świeci się również, gdy zbiornik na wodę nie jest właściwie założony).
20. Kontrolka dużej prędkości wentylatora
21. Kontrolka małej prędkości wentylatora
22. Kontrolka minutnika

PRZED PIERWSZYM UŻYCIEM

- Aby nie dopuścić do uszkodzenia, urządzenie należy ustawić w pozycji pionowej na co najmniej 2 godziny przed włączeniem.
- Po wyjęciu opakowania należy się upewnić, że urządzenie jest w dobrym stanie.
- Nie należy pozwalać dzieciom bawić się materiałami opakowaniowymi, ponieważ istnieje ryzyko zadławienia i uduszenia.

Urządzenie należy zainstalować na płaskiej powierzchni, w miejscu, w którym wylot i wylot powietrza nie będą zasłonięte. Wokół urządzenia powinno być co najmniej 30 cm wolnego miejsca. Aby oszczędzać energię, gdy urządzenie jest włączone, okna i drzwi należy trzymać zamknięte.

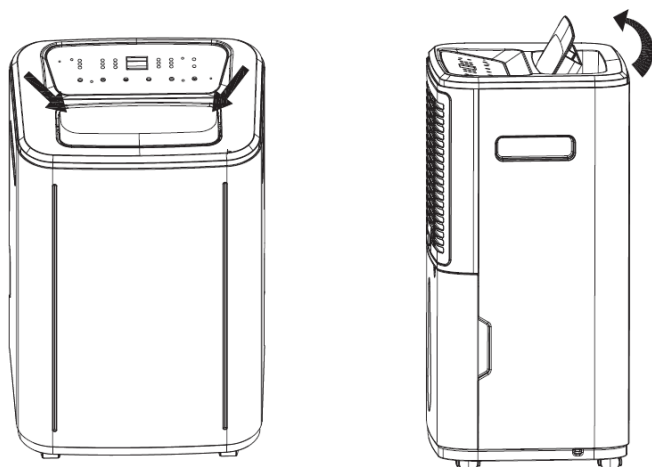
Uwaga: Jeśli działanie osuszacza zakłóca jest przez pracę urządzeń AGD takich jak np. telewizor lub radiomagnetofon, urządzenia te należy trzymać w odległości co najmniej 70 cm od osuszacza.

UŻYTKOWANIE

Włożyć wtyczkę przewodu zasilającego urządzenie do kontaktu. Rozlegnie się sygnał dźwiękowy. Urządzenie znajduje się w trybie gotowości. Świeci się kontrolka zasilania.

Przycisk włączania/gotowości:

Aby włączyć urządzenie, należy wcisnąć przycisk włączania/gotowości. Ręcznie otworzyć pokrywę wylotu powietrza. Kontrolka zasilania zapali się światłem ciągłym. Nacisnąć przycisk ponownie, urządzenie przejdzie w tryb gotowości.



Przycisk trybu

Aby wybrać żądany tryb, należy nacisnąć przycisk trybu. Do wyboru są: tryb osuszania powietrza, tryb wentylatora i tryb suszenia odzieży.

1. Tryb osuszania powietrza: świeci się kontrolka „DEH”. Prędkość wentylatora można przełączać między ustawieniami mała i duża. Wilgotność można ustawić w zakresie 35-85%RH lub można też wybrać opcję „CO” (praca ciągła). Przyciski „▲”/„▼” pozwalają wyregulować ustawienie. Wyświetlacz cyfrowy będzie pokazywać ustawiony poziom wilgotności.

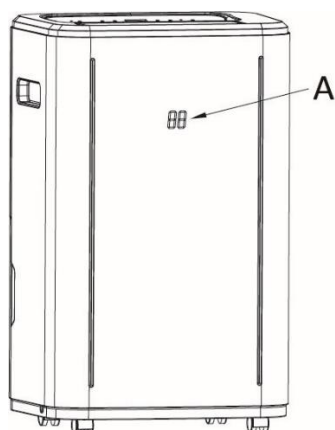
1) Gdy wilgotność w pomieszczeniu > nastawiona wilgotność + 3%, zaczyna pracować sprężarka, a wentylator pracuje nadal z ustawioną prędkością.

Gdy wilgotność w pomieszczeniu < nastawiona wilgotność - 3%, sprężarka wyłącza się, a wentylator automatycznie przełącza się na małą prędkość.

Gdy nastawiona wilgotność - 3% ≤ wilgotność w pomieszczeniu ≤ nastawiona wilgotność + 3%, sprężarka kontynuuje pracę, a wentylator pracuje nadal z ustawioną prędkością.

2) Jeśli wilgotność w pomieszczeniu nie osiąga nastawionej wilgotności, kontrolka „OK” na panelu sterowania nie świeci. Gdy wilgotność w pomieszczeniu osiągnie nastawioną wilgotność, kontrolka „OK” zapali się.

3) W zależności od poziomu wilgotności w pomieszczeniu, wyświetlacz wskazujący (A) z przodu urządzenia będzie sygnalizuje wilgotność 3 kolorami. Kolor czerwony oznacza, że poziom wilgotności w pomieszczeniu przekracza 65%RH, kolor zielony jest używany, gdy wilgotność w pomieszczeniu mieści się w przedziale 45-65%RH, zaś kolor niebieski sygnalizuje, że wilgotność w pomieszczeniu jest niższa niż 45%RH.



- 4) Gdy ustawiona jest wilgotność „CO”, sprężarka pracuje w sposób ciągły bez ograniczenia nastawioną wilgotnością, a prędkość wentylatora można regulować. Na wyświetlaczu wyświetlane są litery „CO”.
2. Tryb wentylatora: świeci się kontrolka „FAN”. Sprężarka nie pracuje; prędkość wentylatora można przełączać między ustawieniami mała i duża. Poziomu wilgotności nie można ustawić, a na wyświetlaczu cyfrowym pokazywana jest wilgotność w pomieszczeniu (30~90%RH).
3. Tryb suszenia odzieży: świeci się kontrolka „DRY”. Sprężarka nadal pracuje w sposób ciągły. Prędkości wentylatora nie da się regulować, a urządzenie pracuje domyślnie z dużą prędkością wentylatora. Poziomu wilgotności nie można ustawić, a na wyświetlaczu cyfrowym pokazywana jest wilgotność w pomieszczeniu (30~90%RH).

Uwaga: Wyłączanie urządzenia w trybie osuszania powietrza lub suszenia odzieży: silnik wentylatora zostanie wyłączony z 1-minutowym opóźnieniem.

Przycisk zwiększania/zmniejszania ustawienia

1. Wciśnięcie przycisku „▲” zwiększa ustawienie poziomu wilgotności lub minutnika. Wciśnięcie przycisku „▼” zmniejsza ustawienie poziomu wilgotności lub minutnika.
2. Gdy wilgotność w pomieszczeniu > 65%RH, użytkownicy mogą nacisnąć i przytrzymać przez 3 sekundy przycisk „▼”, aby włączyć funkcję usuwania pleśni (funkcja suszenia w pomieszczeniu). Świecić będzie kontrolka „DRY INSIDE”. Funkcja ta jest dostępna tylko dla trybów osuszania powietrza i suszenia odzieży. Aby wyłączyć funkcję, należy ponownie nacisnąć ten przycisk i przytrzymać go przez 3 sekundy.
Uwaga: Jeśli wybrano tę funkcję i urządzenie zostanie później wyłączone, silnik wentylatora zostanie wyłączony z 5-minutowym opóźnieniem.
3. Jednoczesne wciśnięcie przycisków „▲” i „▼” pozwala sprawdzić na wyświetlaczu cyfrowym temperaturę panującą w pomieszczeniu. Wyświetlacz będzie się świecił przez około 10 sekund.

Przycisk prędkości wentylatora

1. Aby wybrać małą lub dużą prędkość wentylatora, należy nacisnąć przycisk prędkości wentylatora. Zapali się przy tym odpowiednia kontrolka.
2. Aby wyłączyć lub włączyć wyświetlacz wskazujący, należy nacisnąć przycisk prędkości wentylatora i przytrzymać go przez trzy sekundy. Po wyłączeniu wyświetlacza wskazującego, w przypadku braku dalszych operacji, panel sterowania przyciemnia się po 5 sekundach.

Przycisk minutnika

Ustawianie włączenia się minutnika:

- Gdy urządzenie znajduje się w trybie gotowości, należy wcisnąć przycisk „TIMER”; zapali się kontrolka „TIMER”.
- Przyciskami „▲”/„▼” wybrać żądany czas włączenia z przedziału od 0 do 24 godzin. Wybrana wartość będzie migać na wyświetlaczu cyfrowym, a ustawienie zacznie obowiązywać po około 5 sekundach.
- Gdy minie nastawiony czas, urządzenie włączy się automatycznie.

Ustawianie wyłączenia się minutnika:

- Gdy urządzenie pracuje, należy wcisnąć przycisk „TIMER”, zapali się kontrolka „TIMER”.
- Przyciskami „▲”/„▼” wybrać żądany czas wyłączenia z przedziału od 0 do 24 godzin. Wybrana wartość będzie migać na wyświetlaczu cyfrowym, a ustawienie zacznie obowiązywać po około 5 sekundach. Wyświetlacz cyfrowy włączy się ponownie, aby wyświetlić poziom wilgotności.
- Gdy minie nastawiony czas, urządzenie wyłączy się automatycznie.

Uwaga: Ponowne wciśnięcie przycisku „TIMER” pozwala sprawdzić pozostały czas. Kolejne wciśnięcie przycisku „TIMER” powoduje anulowanie funkcji minutnika.

Funkcja blokady zabezpieczającej przed obsługą przez dzieci

Aby włączyć funkcję blokady zabezpieczającej przed obsługą przez dzieci, należy jednocześnie wcisnąć przycisk minutnika i przycisk prędkości wentylatora. Zapali się kontrolka „LOCK”, a wszystkie przyciski na panelu sterowania będą nieaktywne. Aby wyłączyć funkcję blokady zabezpieczającej przed obsługą przez dzieci, należy ponownie jednocześnie wcisnąć przycisk minutnika i przycisk prędkości wentylatora.

Funkcja odszraniania

Urządzenie przechodzi do funkcji odszraniania automatycznie. Zapala się wtedy kontrolka „DEF.”, a sprężarka przestaje pracować. Po zakończeniu odszraniania kontrolka „DEF.” gaśnie, a sprężarka wznowia pracę.

Informacja:

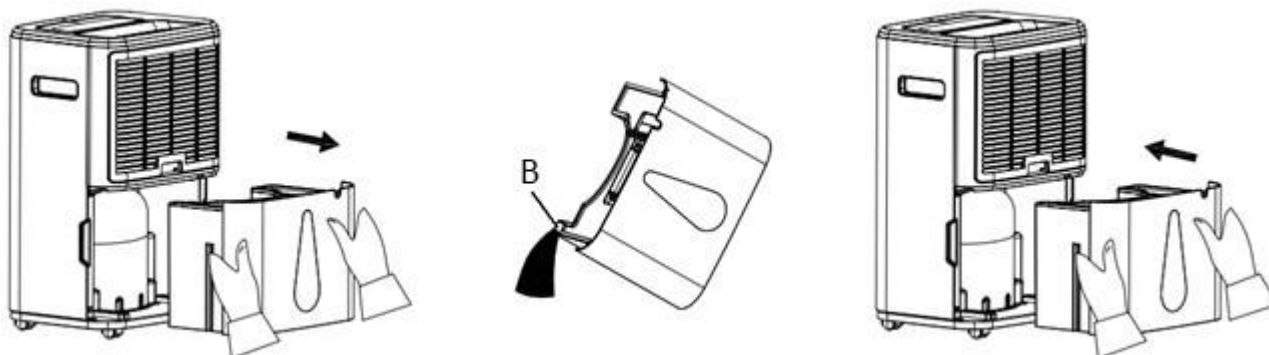
1. Zakres wyświetlania wilgotności w pomieszczeniu to 30~90%RH (wilgotność w pomieszczeniu \leq 30% wyświetlana jest jako 30%; wilgotność w pomieszczeniu \geq 90% wyświetlana jest jako 90%). Temperatura otoczenia, w której urządzenie może pracować wynosi od 5 do 32 °C, a dopuszczalny przedział wilgotności to 10~95%RH.
2. Sprężarka posiada trzyminutową funkcję zabezpieczającą. Gdy sprężarka pracuje i nastąpi przypadkowe odcięcie zasilania, sprężarka nie wznowi pracy natychmiast po ponownym włączeniu. Rozpocznie pracę dopiero po 3 minutach.

SPUSZCZANIE ZEBRANEJ WODY

Gdy zbiornik na wodę jest pełny, zapala się kontrolka napełnienia zbiornika na wodę. Na wyświetlaczu cyfrowym migać będą litery „FL”. Praca urządzenia zostaje automatycznie wstrzymana, po czym rozlega się 5-krotny sygnał dźwiękowy brzęczyka jako ostrzeżenie dla użytkownika, że ze zbiornika na wodę trzeba usunąć wodę.

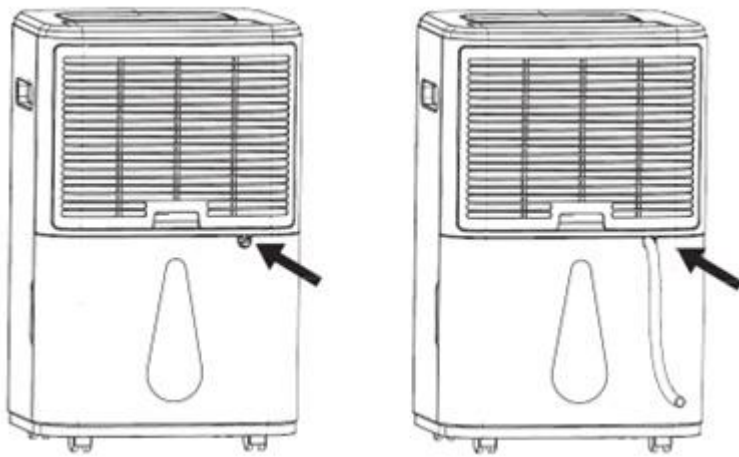
Opróżnianie zbiornika na wodę

1. Zbiornik na wodę należy chwycić po obu stronach za jego wklęsłą część i delikatnie wysunąć.
2. Wylać zebraną wodę przez otwór spustowy (B).
3. Delikatnie wepchnąć poziomo zbiornik na wodę do środka, aby zamontować go z powrotem. Uchwyt pokrywy zbiornika wody powinien leżeć poziomo.



Ciągłe odprowadzanie wody

Podłączyć dostarczoną plastikową rurę do wylotu ciągłego odprowadzania wody. Zamiast zbierać się w zbiorniku na wodę, skroplona woda będzie teraz w sposób ciągły odprowadzana przez ten wylot. Należy upewnić się, że rura jest zainstalowana w dół, tak aby woda stale nią spływała.



CZYSZCZENIE I KONSERWACJA

Aby wydłużyć żywotność urządzenia i zapewnić jego prawidłowe działanie, urządzenie musi być regularnie czyszczone.

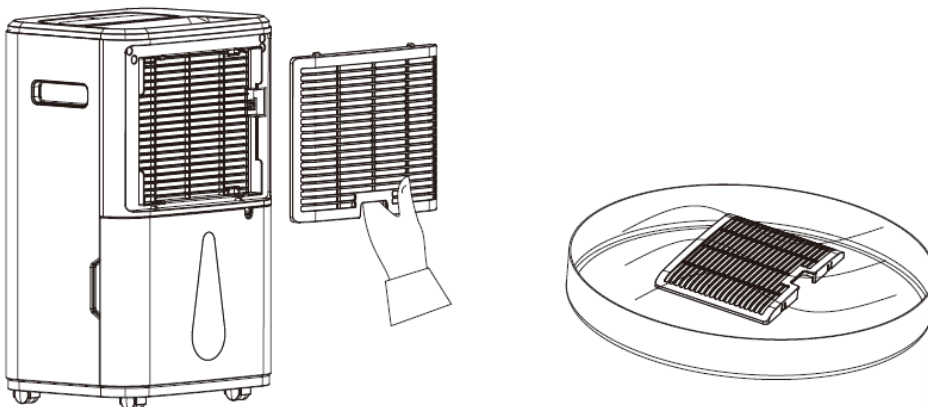
Ostrzeżenie: Aby uniknąć ryzyka porażenia prądem, przed przystąpieniem do jakichkolwiek czynności związanych z czyszczeniem, należy wyłączyć urządzenie i odłączyć je od zasilania. Do czyszczenia nie należy używać gorącej wody ani chemicznych rozpuszczalników.

1. Zbiornik na wodę należy regularnie czyścić zimną lub ciepłą wodą oraz osuszać miękką szmatką, aby nie dopuścić do powstawania pleśni.
2. Powierzchnię urządzenia należy czyścić wilgotną szmatką. Nie używać detergentów ani gąbek do szorowania/druczków, które mogłyby doprowadzić do uszkodzenia powierzchni z tworzywa sztucznego.
3. Filtr należy czyścić w sposób opisany w części poniżej.
4. Jeśli przez długi czas urządzenie nie będzie używane, należy:
 - 1) Opróżnić i osuszyć zbiornik na wodę, a następnie założyć go na miejsce z powrotem.
 - 2) Wyczyścić filtr.
 - 3) Ustawić urządzenie pionowo w miejscu osłoniętym przed bezpośrednim światłem słonecznym.

Filtr

Z tyłu urządzenia znajduje się zestaw filtrów, który należy regularnie wyjmować i czyścić. Jeśli zestaw filtrów będzie zapchany, wydajność osuszania może się zmniejszyć.

- Wyciągnąć filtr od dołu, aby wyjąć go z urządzenia i włożyć go do czystej wody.
- Zaleca się mycie filtra co najmniej raz na dwa tygodnie ciągłego użytkowania.
- Jeśli filtr nie jest brudny, wystarczy go odkurzyć.
- Jeśli filtr jest zabrudzony, należy go po prostu umyć w zimnej wodzie lub w ciepłej wodzie o temperaturze do 40 stopni; nie należy używać rozpuszczalników chemicznych ani gorącej wody.
- Przed ponownym zamontowaniem filtr trzeba dobrze wysuszyć.



Informacja:

Aby nie dopuścić do odkształcenia się filtra, po czyszczeniu należy go naturalnie wysuszyć na powietrzu. Nigdy nie należy używać suszarki lub jakiegokolwiek grzejnika. Do czyszczenia filtra nie wolno używać alkoholu, benzyny, benzenu ani innych rozpuszczalników chemicznych.

ROZWIĄZYWANIE PROBLEMÓW

Stan	Możliwa przyczyna	Rozwiązania
Gorące powietrze	Powietrze z osuszacza przechodzi przez wewnętrzny moduł odzyskiwania temperatury, więc na zewnątrz odprowadzane jest gorące powietrze (brak funkcji chłodzenia)	Nie jest to usterka.
Osuszacz powietrza nie działa	Czy wtyczka nie jest wyjęta z kontaktu?	Włożyć wtyczkę do kontaktu.
	Czy zbiornik na wodę nie jest pełny? Lub czy zbiornik na wodę nie jest założony złą stroną?	Spuścić wodę zalegającą w zbiorniku i ustawić zbiornik z powrotem we właściwej pozycji.
Nie działa funkcja osuszania powietrza	Czy temperatura lub wilgotność w pomieszczeniu nie są za niskie?	W porze suchej wydajność osuszacza powietrza zmniejsza się.
	Czy wloty lub wyloty powietrza nie są czymś zablokowane?	Usunąć jakiegokolwiek przedmioty, które blokują wylot lub wlot powietrza.
Brak nawiewu	Czy filtr powietrza nie jest zapchany?	Wyczyścić filtr powietrza.
Zbyt duży hałas podczas pracy urządzenia	Czy urządzenie nie jest niewłaściwie ustawione, tak że jest przechylone lub niestabilne?	Urządzenia nie wolno używać na niestabilnym podłożu.
	Czy filtr powietrza nie jest zapchany?	Wyczyścić filtr powietrza.

DANE TECHNICZNE

Wydajność osuszania powietrza (30°C, 80%RH)	30 litrów/dzień
Wydajność osuszania powietrza (27°C, 60%RH)	16 litrów/dzień
Napięcie znamionowe	AC 220-240 V
Częstotliwość znamionowa	50 Hz
Znamionowa moc wejściowa	420 W
Prąd znamionowy	1,9 A
Czynnik chłodniczy	R290 / 74 g

GWARANCJA I SERWIS KONSUMENCKI

Przed dostarczeniem do klienta nasze urządzenia poddawane są rygorystycznej kontroli jakości. Jeśli, pomimo wszelkich starań, podczas produkcji lub transportu pojawi się uszkodzenie, należy zwrócić urządzenie do sprzedawcy. Dodatkowo do stosowanych powszechnie przepisów, nabywca ma prawo do reklamacji na podstawie, warunków niniejszej gwarancji:

Dla każdego zakupionego urządzenia zapewniamy 2 lata gwarancji, poczynając od dnia zakupu. Uszkodzony produkt można zwrócić bezpośrednio w punkcie zakupu.

Niniejsza gwarancja nie obejmuje uszkodzeń spowodowanych niewłaściwą obsługą urządzenia, usterek w wyniku modyfikacji i napraw wykonanych przez strony trzecie lub w wyniku użycia nieoryginalnych części. Należy zachować dowód zakupu, który jest jedyną podstawą złożenia roszczenia gwarancyjnego. Producent nie ponosi odpowiedzialności za uszkodzenia powstałe w wyniku nieprzestrzegania instrukcji obsługi. Powoduje to unieważnienie gwarancji. Producent nie ponosi odpowiedzialności za szkody materiałowe ani obrażenia ciała spowodowane niewłaściwą obsługą urządzenia i nieprzestrzeganiem instrukcji obsługi. Uszkodzenie akcesoriów nie oznacza bezpłatnej wymiany całego urządzenia. W takim wypadku prosimy o kontakt z naszym serwisem. Stłuczone elementy szklane lub pęknięte elementy plastikowe są wymieniane za opłatą. Uszkodzenia materiałów eksploatacyjnych lub części podlegających zużyciu, a także czyszczenie, konserwacja i wymienia wspomnianych części nie jest objęta gwarancją i podlega opłacie.

USUWANIE PRZYJAZNE ŚRODOWISKU



Recykling – Dyrektywa europejska nr 2012/19/UE

Ten znak oznacza, że urządzenia nie należy wyrzucać razem z innymi odpadami domowymi. Aby zapobiec możliwym szkodom dla środowiska i zdrowia ludzi spowodowanym niekontrolowaną utylizacją odpadów, poddaj produkt procesowi recyklingu w celu promowania zrównoważonego ponownego wykorzystywania zasobów materiałowych. Aby zwrócić zużyte urządzenie, skorzystaj z systemu oddawania zużytych produktów lub skontaktuj się ze sprzedawcą. Sprzedawca może przyjąć produkt w celu przeprowadzenia bezpiecznego dla środowiska recyklingu.

Emerio B.V.
Oudeweg 115
2031 CC Haarlem
The Netherlands

Customer service:
T: +31 (0) 23 3034369
www.emerio.eu/service

Kundeninformation:
T: +49 (0) 3222 1097 600
www.emerio.eu/service

Klantenservice:
T: +31 (0) 23 3034369
www.emerio.eu/service

Looking for spare parts? Have a look at www.spareparts.emerio.eu

Sie brauchen Ersatzteile? Besuchen Sie www.ersatzteile.emerio.eu

Onderdelen nodig? Kijk op www.onderdelen.emerio.eu

INSTRUKCJA NAPRAWY URZĄDZEŃ ZAWIERAJĄCYCH CZYNNIK CHŁODNICZY R290

1. Serwisowanie

1) Kontrole na miejscu

Aby do minimum ograniczyć ryzyko zapłonu, przed rozpoczęciem prac przy systemach zawierających łatwopalne czynniki chłodnicze konieczne są kontrole bezpieczeństwa. W przypadku naprawy układu chłodzącego, przed przystąpieniem do pracy przy systemie należy zastosować następujące środki ostrożności.

2) Procedura pracy

Aby zminimalizować ryzyko występowania łatwopalnych gazów lub oparów w czasie wykonywania prac, prace należy podejmować zgodnie z kontrolowaną procedurą.

3) Miejsce wykonywania pracy – ogólnie

Wszyscy pracownicy zajmujący się konserwacją oraz inni pracujący w pobliżu powinni zostać poinstruowani o charakterze wykonywanych prac. Należy unikać wykonywania prac w ciasnych miejscach. Otoczenie miejsca wykonywania prac należy wydzielić. Poprzez kontrole materiałów łatwopalnych należy pilnować, aby warunki w obrębie miejsca wykonywania prac były bezpieczne.

4) Sprawdzenie obecności czynnika chłodniczego

Aby mieć gwarancję, że technik ma świadomość potencjalnie łatwopalnej atmosfery, przed rozpoczęciem i w czasie wykonywania pracy, miejsce pracy należy sprawdzić odpowiednim detektorem czynnika chłodniczego. Należy dopilnować, aby używane urządzenie do wykrywania nieszczelności nadawało się do używania do łatwopalnych czynników chłodniczych, tj. nie może ono powodować iskrzenia, musi być odpowiednio szczelnie zamknięte lub bezpieczne samo z siebie.

5) Obecność gaśnicy

Jeżeli przy urządzeniu chłodzącym lub elementach z nim powiązanych mają być wykonywane jakiegokolwiek prace powodujące wytwarzanie się ciepła, należy mieć pod ręką odpowiedni sprzęt gaśniczy. W pobliżu miejsca nabijania instalacji należy mieć suchą gaśnicę proszkową lub CO₂.

6) Brak źródeł zapłonu

Żadna osoba wykonująca prace dotyczące instalacji chłodzącej, w czasie których dochodzi do odsłonięcia jakiegokolwiek rury z łatwopalnym czynnikiem chłodniczym nie może używać jakichkolwiek źródeł zapłonu w sposób, który mógłby powodować ryzyko wystąpienia pożaru lub wybuchu. Wszystkie możliwe źródła zapłonu, w tym zapalone papierosy, należy trzymać w wystarczającej odległości od miejsca instalacji, naprawy, usuwania i utylizacji, w czasie których łatwopalny czynnik chłodniczy można wypuścić do otoczenia. Przed wykonaniem pracy miejsce wokół urządzenia należy skontrolować, tak aby mieć pewność, że nie ma w nim żadnych łatwopalnych zagrożeń ani ryzyk zapłonu. Należy stosować znaki „No Smoking” („Zakaz palenia”).

7) Wentylacja na miejscu

Przed dostaniem się do instalacji lub wykonaniem jakiegokolwiek pracy na gorąco, należy pilnować, aby miejsce pracy znajdowało się na dworze lub aby miało zapewnioną dobrą wentylację. W czasie wykonywania pracy wentylacja będzie kontynuowana. Wentylacja powinna bezpiecznie rozprowadzić jakiegokolwiek ewentualne ilości wypuszczonego czynnika chłodniczego, a najlepiej, aby usunęła go na zewnątrz do atmosfery.

8) Sprawdzenie instalacji z czynnikiem chłodniczym

W przypadku wymiany podzespołów elektronicznych, muszą one nadawać się do tego celu i posiadać prawidłową specyfikację. Należy zawsze przestrzegać wytycznych producenta w sprawie konserwacji i serwisowania. W razie wątpliwości, w celu uzyskania pomocy należy skonsultować się z działem technicznym producenta.

W instalacjach z łatwopalnym czynnikiem chłodniczym należy przeprowadzić następujące kontrole:

- Zastosowana ilość czynnika chłodniczego jest dostosowana do wielkości pomieszczenia, w którym są zainstalowane części zawierające czynnik chłodniczy;
- Części mechaniczne i wyloty wentylacji działają w prawidłowy sposób i nie są zablokowane;
- Jeśli stosowany jest niebezpośredni obwód z czynnikiem chłodniczym, należy skontrolować drugi obwód pod kątem występowania w nim czynnika chłodniczego;

- Oznakowanie urządzenia jest nadal widoczne i czytelne. Nieczytelne oznakowanie i znaki należy poprawić;
- Przewód lub podzespoły czynnika chłodniczego są zainstalowane w pozycji, w której mało prawdopodobne jest ich narażenie na działanie substancji, które mogłyby doprowadzić do skorodowania podzespołów zawierających czynnik chłodniczy, chyba że podzespoły te są zbudowane z materiałów, które z samej swojej natury są odporne na korozję lub są zabezpieczone przed korozją.

9) Kontrole urządzeń elektrycznych

Naprawa i czynności konserwacyjne podzespołów elektrycznych powinny obejmować wstępne kontrole bezpieczeństwa i procedury sprawdzania podzespołów. Jeżeli wystąpi usterka, która mogłaby stanowić zagrożenie dla bezpieczeństwa, wówczas zanim usterka ta nie zostanie w satysfakcjonujący sposób usunięta do obwodu nie należy podłączać jakiegokolwiek zasilania. Jeżeli usterki nie da się usunąć natychmiast, ale system musi kontynuować pracę, wówczas należy wykorzystać odpowiednie rozwiązanie tymczasowe. Fakt ten należy zgłosić właścicielowi urządzenia, tak aby zostały o tym poinformowane wszystkie zainteresowane osoby. Początkowe kontrole bezpieczeństwa powinny obejmować:

- Rozładowanie kondensatorów: powinno się ono odbywać w bezpieczny sposób, tak aby uniknąć możliwości iskrzenia;
- Brak podzespołów elektrycznych pod napięciem, okablowanie nie jest narażone podczas nabijania czynnika chłodniczego, odzyskiwania go i czyszczenia instalacji;
- Sprawdzenie ciągłości uziemienia.

2. Naprawy szczelnie zamkniętych podzespołów

1) W czasie napraw szczelnie zamkniętych podzespołów, przed zdjęciem uszczelnionych osłon, pokryw itp. od naprawianego urządzenia należy odłączyć wszystkie elektryczne źródła zasilania. Jeżeli podczas serwisowania posiadanie zasilania elektrycznego urządzenia jest absolutnie konieczne, wówczas w najbardziej krytycznym punkcie należy zainstalować działający non-stop układ wykrywania upływów, który ostrzeże o potencjalnie niebezpiecznych sytuacjach.

2) Aby wskutek wykonywania prac przy podzespołach elektrycznych obudowa nie została naruszona w sposób wpływający na poziom ochrony, należy zwrócić szczególną uwagę na następujące kwestie. Dotyczy to uszkodzenia kabli, zbyt dużej liczby połączeń, wyprowadzeń wykonanych niezgodnie z pierwotną specyfikacją, uszkodzenia uszczelki, nieprawidłowego zamontowania dławików itp.

Dopilnować, aby urządzenie było zamontowane w bezpieczny sposób. Dopilnować, aby uszczelki lub materiały uszczelniające nie były zużyte w takim stopniu, że nie spełniałyby już swojej funkcji zabezpieczania przed przepuszczaniem łatwopalnych gazów. Wymiana części musi się odbywać zgodnie ze specyfikacją producenta.

UWAGA: Używanie uszczelki silikonowej może ograniczać skuteczność działania niektórych rodzajów urządzeń do wykrywania nieszczelności. Podzespoły bezpieczne same z siebie nie muszą być izolowane przed przystąpieniem do wykonywania przy nich prac.

3. Naprawy podzespołów bezpiecznych samych z siebie

Bez zagwarantowania, że nie spowodują one przekroczenia napięcia i prądu dopuszczalnego podczas używania urządzenia, do obwodu nie należy podłączać jakichkolwiek stałych obciążeń indukcyjnych lub pojemnościowych. Podzespoły bezpieczne same z siebie są jedynym rodzajem podzespołów, przy których można pracować pod napięciem i w obecności łatwopalnych gazów w powietrzu. Urządzenie testujące musi mieć odpowiedni zakres pracy. Podzespoły należy wymieniać tylko na części określone przez producenta. Inne części mogłyby doprowadzić do zapalenia się czynnika chłodniczego przedostającego się do powietrza wskutek nieszczelności.

4. Okablowanie

Należy sprawdzić, czy okablowanie nie jest narażone na zużycie, korozję, nadmierne obciążenie, drgania, kontakt z ostrymi krawędziami lub jakiegokolwiek inne szkodliwe wpływy środowiskowe. Kontrola powinna także uwzględniać wpływ starzenia się lub ciągłego narażenia na drgania powodowanego przez elementy takie jak kompresory lub wentylatory.

5. Wykrywanie łatwopalnych czynników chłodniczych

Do poszukiwania lub wykrywania nieszczelności instalacji z czynnikiem chłodniczym nie wolno w żadnym wypadku używać rozwiązań stanowiących potencjalne źródła iskrzenia. Nie wolno stosować lamp halogenkowych (ani jakichkolwiek innych detektorów wykorzystujących nieosłonięty płomień).

6. Metody wykrywania nieszczelności

Następujące metody wykrywania nieszczelności uznaje się za dopuszczalne w przypadku instalacji zawierających łatwopalny czynnik chłodniczy.

Do wykrywania łatwopalnych czynników chłodniczych można używać elektronicznych wykrywaczy nieszczelności, ale ich czułość może nie być wystarczająca lub mogą one wymagać ponownej kalibracji. (Urządzenia wykrywające należy kalibrować w miejscu, w którym czynnik chłodniczy nie występuje.) Należy pilnować, aby wykrywacz nie stanowił potencjalnego źródła zapłonu i aby nadawał się do stosowanego czynnika chłodniczego. Urządzenie wykrywające nieszczelności należy ustawić na wartość procentową LFL czynnika chłodniczego i skalibrować na stosowany czynnik chłodniczy. Odpowiednia wartość procentowa gazu (maks. 25%) zostanie potwierdzona. Do większości czynników chłodniczych można stosować płyny wykrywające nieszczelności, jednak należy wtedy unikać stosowania detergentów zawierających chlor, ponieważ chlor może reagować z czynnikiem chłodniczym i może prowadzić do korozji instalacji wykonanej z rur miedzianych. Jeśli istnieje podejrzenie występowania jakiejś nieszczelności, należy usunąć/zgasić wszystkie otwarte płomienie. Jeśli zostanie wykryta nieszczelność instalacji z czynnikiem chłodniczym, a jej usunięcie wymaga lutowania, z instalacji należy odzyskać cały czynnik chłodniczy lub należy go odizolować (zaworami odcinającymi) w części instalacji znajdującej się z dala od nieszczelności. Przed lutowaniem i w czasie lutowania przez instalację należy przepompowywać azot beztlenowy (OFN).

7. Usuwanie i odpompowywanie powietrza, wilgoci i gazów niekondensujących

Kiedy trzeba się dostać do obwodu z czynnikiem chłodniczym – aby dokonać naprawy lub w innym celu – należy stosować procedury konwencjonalne. Jednakże, z uwagi na łatwopalność, ważne jest, aby stosować najlepsze praktyki. Należy więc przestrzegać następującej procedury postępowania:

- Usunąć czynnik chłodniczy;
- Przedmuchać obwód gazem obojętnym;
- Odpompować powietrze, wilgoć i gazy niekondensujące;
- Ponownie przedmuchać gazem obojętnym;
- Otworzyć obwód – przeciąć go lub rozlutować.

Czynnik chłodniczy należy odpompować do odpowiednich butli. Aby ją zabezpieczyć, instalacja zostanie „przepłukana” za pomocą OFN. Procedurę tę będzie być może trzeba kilkakrotnie powtórzyć. Do wykonania tego zadania nie należy używać sprężonego powietrza ani tlenu. Przepłukiwanie powinno polegać na wpompowaniu do instalacji OFN i napełnieniu jej do ciśnienia roboczego, następnie spuszczeniu gazu do atmosfery i w końcu odpompowaniu powietrza. Procedurę tę należy powtarzać aż do momentu, gdy w instalacji nie będzie już w ogóle czynnika chłodniczego. Po ostatecznym napełnieniu instalacji OFN, gaz należy spuścić z instalacji tak, aby uzyskać w instalacji ciśnienie atmosferyczne i aby można było wykonać potrzebne prace. W przypadku lutowania przewodów rurowych operacja ta jest absolutnie kluczowa. Należy dopilnować, aby wylot z pompy próżniowej nie znajdował się w pobliżu jakichkolwiek źródeł zapłonu i aby dostępna była odpowiednia wentylacja.

8. Procedura nabijania instalacji

Oprócz konwencjonalnych procedur nabijania instalacji, należy spełnić następujące wymagania.

- Podczas używania urządzeń nabijających należy pilnować, aby nie doszło do wzajemnego zanieczyszczenia się różnych czynników chłodniczych. Węże i przewody powinny być ja najkrótsze, aby ograniczyć do minimum ilość znajdującego się w nich czynnika chłodniczego.
- Butle należy trzymać w pozycji pionowej.

- Należy pilnować, aby instalacja z czynnikiem chłodniczym została przed jej nabiciem uziemiona.
- Po zakończeniu nabijania czynnikiem chłodniczym, instalację należy oznakować etykietą (o ile nie zostało to zrobione wcześniej).
- Należy bardzo uważać, aby nie przepętnić instalacji chłodniczej.

Przed nabiciem instalacji chłodniczej należy sprawdzić ją pod ciśnieniem za pomocą OFN. Po zakończeniu nabijania, ale przed oddaniem do użytku, należy sprawdzić szczelność instalacji. Przed opuszczeniem miejsca wykonywania prac należy przeprowadzić dodatkowe badanie szczelności.

9. Zakończenie użytkowania

Przed wykonaniem tej procedury należy koniecznie upewnić się, że technik doskonale i z wszystkimi szczegółami zna urządzenie. Jako dobrą praktykę zaleca się bezpieczne odzyskiwanie wszystkich czynników chłodniczych. Przed przystąpieniem do wykonywanego zadania należy pobrać próbki oleju i czynnika chłodniczego na wypadek, gdyby przed ponownym użyciem odzyskanego czynnika było przeprowadzenie ich analizy. Bardzo ważne jest, aby przed rozpoczęciem wykonywania zadania zagwarantować dostęp zasilania elektrycznego.

- a) Należy zapoznać się z urządzeniem i jego działaniem.
- b) Instalację należy zaizolować elektrycznie.
- c) Przed podjęciem próby wykonania procedury, należy dopilnować, aby:
 - Były dostępne urządzenia do obsługi mechanicznej, o ile są one potrzebne do butli z czynnikiem chłodniczym;
 - Były dostępne i prawidłowo używane wszystkie środki ochrony indywidualnej;
 - Proces odzyskiwania był przez cały czas nadzorowany przez kompetentną osobę;
 - Urządzenia i butle do odzyskiwania spełniały odpowiednie normy.
- d) Jeśli to możliwe, z instalacji należy odpompować czynnik chłodniczy.
- e) Jeśli nie da się uzyskać próżni, należy wykonać rozgałęzienia, tak aby czynnik chłodniczy można było odpompować z różnych części instalacji.
- f) Przed rozpoczęciem procesu odzyskiwania czynnika chłodniczego należy dopilnować, aby butla została ustawiona na wadze.
- g) Włączyć maszynę odzyskującą i postępować zgodnie z instrukcjami producenta.
- h) Nie należy przepętniać butli. (Należy ją napełnić w nie więcej niż 80% objętości ciekłego czynnika chłodniczego).
- i) Nie należy przekraczać maksymalnego ciśnienia roboczego w butli, nawet przez chwilę.
- j) Po prawidłowym napełnieniu butli i po zakończeniu procedury należy się upewnić, że butle zostały usunięte i odsunięte z instalacji i że wszystkie zawory izolacyjne są zamknięte.
- k) Odzyskanego czynnika chłodniczego nie używać w innych instalacjach chłodniczych, chyba że zostanie on oczyszczony i sprawdzony.

10. Etykietowanie

Urządzenie należy oznaczyć etykietą stwierdzającą, że zostało ono wycofane z użytkowania i opróżnione z czynnika chłodniczego. Etykieta powinna mieć datę i podpis. Należy pilnować, aby na urządzeniu znajdowała się etykieta z informacją, że zawiera ono łatwopalny czynnik chłodniczy.

11. Odzyskiwanie

Podczas odzyskiwania czynnika chłodniczego z instalacji bądź w celu serwisowania, bądź przed zakończeniem użytkowania zaleca się jako dobrą praktykę bezpieczne usuwanie całego czynnika chłodniczego. Przy przenoszeniu czynnika chłodniczego do butli należy używać odpowiednich butli do odzysku czynników chłodniczych. Należy dopilnować, aby dostępna była wystarczająca liczba butli na cały czynnik chłodniczy. Wszystkie butle, które będą używane są przeznaczone na odzyskiwany czynnik chłodniczy i odpowiednio oznaczone (tj. specjalne butle do odzysku danego czynnika chłodniczego). Butle powinny być wyposażone w zawór upustowy oraz sprawne zawory odcinające. Puste butle do odzysku czynnika chłodniczego należy usuwać,

a przed odzyskiem w miarę możliwości schładzać. Urządzenia do odzysku muszą być sprawne i w dobrym stanie i muszą posiadać dołączone do nich instrukcje; urządzenia te muszą też być dostosowane do odzyskiwania czynników łatwopalnych. Dodatkowo, musi być dostępny zestaw skalibrowanych wag – w pełni sprawnych i w dobrym stanie. Węże powinny być wyposażone w sprawne łączówki umożliwiające szczelne rozłączanie. Przed użyciem maszyny do odzysku należy sprawdzić, czy jest ona sprawna i czy jej stan jest zadowalający, czy była prawidłowo serwisowana i czy podzespoły elektryczne są szczelnie zamknięte, co zabezpiecza przed zapłonem czynnika chłodniczego w przypadku jego ulatniania się. W razie wątpliwości należy skonsultować się z producentem. Odzyskany czynnik chłodniczy należy zwrócić do dostawcy czynnika w odpowiedniej butli do odzysku oraz z odpowiednim dokumentem poświadczającym przekazanie odpadów. Nie należy mieszać między sobą czynników chłodniczych w butlach. Jeśli mają być usunięte kompresor lub olej z kompresora, należy dopilnować, aby zostały one usunięte do akceptowalnego poziomu, tak aby mieć pewność, że łatwopalny czynnik chłodniczy nie pozostał w smarze. Przed zwróceniem kompresora dostawcom należy przeprowadzić procedurę odpompowania powietrza, wilgoci i gazów niekondensujących. W celu przyspieszenia procesu można stosować tylko ogrzewanie elektryczne. Gdy z instalacji będzie spuszczaany olej, należy to wykonać bezpiecznie.

Kompetencje pracowników serwisu

Kwestie ogólne

W przypadku urządzeń, w których stosowany jest łatwopalny czynnik chłodniczy, oprócz szkolenia nt. zwykłych procedur naprawy urządzeń chłodzących wymagane jest specjalne szkolenie dodatkowe.

W wielu krajach szkolenie to jest prowadzone przez organizacje szkoleniowe o zasięgu krajowym, posiadające akredytację do prowadzenia szkoleń z zakresu odpowiednich kompetencji i standardów, które mogą być określone w przepisach prawa.

Uzyskany poziom kompetencji powinien być udokumentowany certyfikatem.

Szkolenie

Szkolenie powinno obejmować następujące elementy:

Informacje o możliwości wybuchu łatwopalnych czynników chłodniczych pokazujące, że nieuważne obchodzenie się z substancjami łatwopalnymi może być niebezpieczne.

Informacje o możliwych źródłach zapłonu, zwłaszcza zaś takich, które nie są oczywiste, jak np. zapalniczki, przełączniki oświetlenia, odkurzacze i grzejniki elektryczne.

Informacje o różnych koncepcjach bezpieczeństwa:

Bez wentylacji – Bezpieczeństwo urządzenia nie zależy od wentylacji obudowy. Wyłączenie urządzenia lub otwarcie obudowy nie ma istotnego wpływu na bezpieczeństwo. Jest jednak możliwe, że ulatniający się czynnik chłodniczy może zbierać się wewnątrz obudowy i że po otwarciu obudowy zostaną z niej wypuszczone łatwopalne wyziewy.

Wentylowana obudowa – Bezpieczeństwo urządzenia zależy od wentylacji obudowy. Wyłączenie urządzenia lub otwarcie obudowy ma istotny wpływ na bezpieczeństwo. Należy pilnować, aby zawczasu zapewnić wystarczającą wentylację.

Wentylowane pomieszczenie – Bezpieczeństwo urządzenia zależy od wentylacji pomieszczenia. Wyłączenie urządzenia lub otwarcie obudowy nie ma istotnego wpływu na bezpieczeństwo. Na czas wykonywania procedur związanych z naprawą nie należy wyłączać wentylacji pomieszczenia.

Informacje na temat koncepcji zamkniętych szczelnie podzespołów i zamkniętych szczelnie obudów zgodnie z normą IEC 60079-15:2010.

Informacje na temat prawidłowych procedur wykonywania pracy:

a) Oddanie do użytkowania

- Dopilnować, aby zastosowana ilość czynnika chłodniczego była wystarczająca w stosunku do powierzchni pomieszczenia i aby wąż wentylacyjny był zamontowany w prawidłowy sposób.
- Przed napełnieniem układu czynnikiem chłodniczym, połączyć rury i przeprowadzić próbę szczelności.
- Przed oddaniem do użytkowania sprawdzić działanie mechanizmów zabezpieczających.

b) Konserwacja

- Urządzenia przenośne należy naprawiać na dworze lub w warsztacie specjalnie wyposażonym pod kątem serwisowania urządzeń zawierających łatwopalny czynnik chłodniczy.
- W miejscu wykonywania naprawy należy zapewnić wystarczającą wentylację.
- Należy zdawać sobie sprawę z tego, że nieprawidłowe działanie urządzenia może być spowodowane ubytkiem czynnika chłodniczego oraz że instalacja może być nieszczelna.
- Kondensatory należy rozładowywać w sposób niepowodujący iskrzenia. Standardowa procedura zwierania wyprowadzeń kondensatora zazwyczaj prowadzi do iskrzenia.
- Szczelnie zamknięte obudowy należy starannie i dokładnie zamknąć. Jeśli uszczelki są zużyte, należy je wymienić.
- Przed oddaniem do użytkowania sprawdzić działanie mechanizmów zabezpieczających.

c) Naprawa

- Urządzenia przenośne należy naprawiać na dworze lub w warsztacie specjalnie wyposażonym pod kątem serwisowania urządzeń zawierających łatwopalny czynnik chłodniczy.
- W miejscu wykonywania naprawy należy zapewnić wystarczającą wentylację.
- Należy zdawać sobie sprawę z tego, że nieprawidłowe działanie urządzenia może być spowodowane ubytkiem czynnika chłodniczego oraz że instalacja może być nieszczelna.
- Kondensatory należy rozładowywać w sposób niepowodujący iskrzenia.
- Jeśli trzeba coś zlutować, należy w odpowiedniej kolejności wykonać następujące procedury :
 - Usunąć czynnik chłodniczy. Jeśli przepisy krajowe nie wymagają jego odzyskania, czynnik chłodniczy należy spuścić na zewnątrz. Uważać, aby spuszczonego czynnika chłodniczego nie powodował zagrożenia. W razie wątpliwości jedna osoba powinna pilnować wylotu. Zwrócić szczególną uwagę na to, aby spuszczonego czynnika chłodniczego nie dostał się z powrotem do budynku.
 - Z obwodu czynnika chłodniczego odpompować powietrze, wilgoć i gazy niekondensujące.
 - Przez 5 minut płukać obwód czynnika chłodniczego azotem.
 - Ponownie odpompować.
 - W celu usunięcia części, które wymagają usunięcia, odciąć je, nie zaś używać płomienia.
 - W czasie procedury lutowania przedmuchać miejsce lutowania azotem.
 - Przed napełnieniem układu czynnikiem chłodniczym, wykonać próbę szczelności.
- Szczelnie zamknięte obudowy należy starannie i dokładnie zamknąć. Jeśli uszczelki są zużyte, należy je wymienić.
- Przed oddaniem do użytkowania sprawdzić działanie mechanizmów zabezpieczających.

d) Zakończenie użytkowania

- Jeżeli w grę wchodzi bezpieczeństwo, czynnik chłodniczy należy usunąć przed zakończeniem użytkowania.
- W miejscu, w którym znajduje się urządzenie należy zapewnić wystarczającą wentylację.
- Należy zdawać sobie sprawę z tego, że nieprawidłowe działanie urządzenia może być spowodowane ubytkiem czynnika chłodniczego oraz że instalacja może być nieszczelna.
- Kondensatory należy rozładowywać w sposób niepowodujący iskrzenia.
- Usunąć czynnik chłodniczy. Jeśli przepisy krajowe nie wymagają jego odzyskania, czynnik chłodniczy należy spuścić na zewnątrz. Uważać, aby spuszczonego czynnika chłodniczego nie powodował zagrożenia. W razie wątpliwości jedna osoba powinna pilnować wylotu. Zwrócić szczególną uwagę na to, aby spuszczonego czynnika chłodniczego nie dostał się z powrotem do budynku.
- Z obwodu czynnika chłodniczego odpompować powietrze, wilgoć i gazy niekondensujące.
- Przez 5 minut płukać obwód czynnika chłodniczego azotem.
- Ponownie odpompować.
- Napełnić azotem pod ciśnieniem atmosferycznym.
- Założyć na urządzenie etykietę z informacją o tym, że czynnik chłodniczy został już usunięty.

e) Utylizacja

- Zapewnić wystarczającą wentylację w miejscu wykonywania pracy.
- Usunąć czynnik chłodniczy. Jeśli przepisy krajowe nie wymagają jego odzyskania, czynnik chłodniczy należy spuścić na zewnątrz. Uważać, aby spuszczonego czynnika chłodniczego nie powodował zagrożenia. W razie wątpliwości jedna osoba powinna pilnować wylotu. Zwrócić szczególną uwagę na to, aby spuszczonego czynnika chłodniczego nie dostał się z powrotem do budynku.
- Z obwodu czynnika chłodniczego odpompować powietrze, wilgoć i gazy niekondensujące.
- Przez 5 minut płukać obwód czynnika chłodniczego azotem.
- Ponownie odpompować.
- Wyciąć kompresor i spuścić olej.

Transport, oznaczanie i przechowywanie urządzeń, w których używane są łatwopalne czynniki chłodnicze

Transport urządzeń zawierających łatwopalne czynniki chłodnicze

Należy zwrócić uwagę na to, że mogą istnieć dodatkowe przepisy w sprawie transportu urządzeń zawierających łatwopalny czynnik chłodniczy. Maksymalna liczba urządzeń lub konfiguracja urządzeń, które wolno przewozić razem zostanie określona przez stosowne przepisy transportowe.

Znakowanie urządzenia

Oznaczenia podobnych urządzeń używanych w miejscu pracy są na ogół określone przepisami lokalnymi, które wyznaczają minimalne wymagania w zakresie oznakowania BHP w miejscu pracy.

Wszystkie wymagane oznaczenia należy utrzymywać w dobrym stanie. Pracodawcy powinni pilnować, aby pracownicy otrzymali odpowiednie i wystarczające instrukcje i zostali przeszkoleni w zakresie znaczenia odpowiednich znaków BHP oraz działań, które należy podejmować w związku z tymi oznaczeniami.

Nie należy osłabiać skuteczności oznakowania poprzez umieszczanie razem zbyt dużej liczby znaków.

Wszelkie używane piktogramy powinny być maksymalnie proste i powinny zawierać tylko najważniejsze elementy.

Utylizacja urządzenia, w którym używane są łatwopalne czynniki chłodnicze

Patrz przepisy krajowe.

Przechowywanie sprzętu/urządzeń

Urządzenia należy przechowywać zgodnie z instrukcjami producenta.

Przechowywanie urządzenia w opakowaniu (przed sprzedażą)

Należy wykonać zabezpieczenie dzięki któremu mechaniczne uszkodzenie urządzenia w opakowaniu nie spowoduje wycieku czynnika chłodniczego.

Maksymalna liczba urządzeń, które wolno przechowywać razem zostanie określona przez przepisy lokalne.

INSTRUCCIONES DE SEGURIDAD

Antes de utilizar el producto, lea todas las instrucciones que se presentan a continuación para evitar lesiones personales y daños materiales y para obtener unos resultados óptimos del aparato. Asegúrese de mantener este manual en un lugar seguro. Si transfiere el aparato a otra persona, asegúrese de entregarle asimismo el presente manual.

La garantía quedará anulada en caso de daños causados por el incumplimiento por parte del usuario de las instrucciones incluidas en este manual. El fabricante/importador no aceptará ningún tipo de responsabilidad por daños causados por el incumplimiento de las presentes instrucciones o uso negligente o en desacuerdo con los requisitos de este manual.

1. Lea y guarde estas instrucciones. Atención: las imágenes del manual de instrucciones son apenas una referencia.
2. Este aparato puede ser utilizado por niños de 8 o más años de edad y personas con capacidades físicas, sensoriales o mentales reducidas o falta de experiencia y conocimientos si reciben supervisión o instrucciones sobre el uso del aparato de forma segura y comprenden los riesgos que implica.
3. Los niños no deben jugar con el aparato.
4. La limpieza y el mantenimiento por parte del usuario no deben ser realizados por niños sin supervisión.
5. Si el cable de alimentación está dañado, debe ser reemplazado por el fabricante, su agente de servicio o personas similarmente cualificadas para evitar riesgos.
6. Antes de conectar el enchufe a la toma de corriente, compruebe que el voltaje y la frecuencia coinciden con las especificaciones de la etiqueta de características del producto.

7. Si se utiliza un cable alargador, deberá ser el adecuado para el consumo eléctrico del aparato, de lo contrario el alargador o el enchufe podrían sobrecalentarse. Peligro potencial de lesión al tropezar con el cable alargador. Tome las precauciones necesarias para evitar situaciones de peligro.
8. Desconecte el enchufe de la toma de corriente cuando el aparato no se encuentre en uso y antes de cualquier operación de limpieza.
9. Asegúrese de que el cable no cuelgue sobre aristas vivas y manténgalo alejado de objetos calientes y llamas abiertas.
10. No sumerja el aparato ni el enchufe en agua u otros líquidos. ¡Peligro de muerte por electrocución!
11. Para retirar el enchufe de la toma de corriente, tire del enchufe. No tire del cable de alimentación.
12. No enchufe ni desenchufe el aparato de la toma de corriente con las manos mojadas.
13. No intente nunca abrir la carcasa del aparato ni reparar el aparato por su cuenta. Esto podría causar una descarga eléctrica.
14. Este aparato no está diseñado para uso comercial. Sólo para uso en interiores.
15. No utilice al aparato para un uso distinto del previsto.
16. No enrolle el cable en torno al aparato ni lo curve.
17. No utilice la unidad en una zona: cerca de una fuente de fuego; donde sea probable que salpique aceite; expuesta a la luz solar directa; donde sea probable que salpique agua; cerca de un baño, una lavandería, una ducha o una piscina.
18. No introduzca nunca los dedos ni varillas en la salida de aire. Tenga especial cuidado en advertir a los niños de estos peligros.
19. Mantenga la unidad hacia arriba durante el transporte y el almacenamiento, para que el compresor se ubique correctamente.
20. Antes de limpiar o trasladar el aparato, apáguelo y desconecte siempre la alimentación eléctrica.

21. Para evitar la posibilidad de que se produzca un incendio, el aparato no debe estar cubierto.
22. El aparato debe instalarse de acuerdo con las normas nacionales de cableado.
23. Póngase en contacto con un técnico de servicio autorizado para la reparación o el mantenimiento de esta unidad.
24. No tire, deforme ni modifique el cable de alimentación, ni lo sumerja en agua. Si se tira del cable de alimentación o se utiliza de forma incorrecta, se puede dañar la unidad y provocar una descarga eléctrica.
25. Deberá respetarse la normativa nacional en materia de gases.
26. El mantenimiento solo debe realizarse según las recomendaciones del fabricante del equipo. El mantenimiento y las reparaciones que requieran la asistencia de otro personal especializado se llevarán a cabo bajo la supervisión de la persona competente en el uso de refrigerantes inflamables.
27. No encienda ni pare el aparato insertando o sacando el enchufe, ya que puede producirse una descarga eléctrica o un incendio debido a la generación de calor.
28. Desenchufe la unidad si emite sonidos extraños, olor o humo.
29. Enchufe siempre el aparato a una toma de corriente con conexión a tierra.
30. No utilice medios para acelerar el proceso de descongelación o para limpiar, que no sean los recomendados por el fabricante.
31. El aparato debe almacenarse en una sala en la que no haya fuentes de ignición funcionando continuamente (por ejemplo: llamas abiertas, un aparato de gas en funcionamiento o un calentador eléctrico en funcionamiento).
32. No perforar ni quemar.
33. Tenga en cuenta que los refrigerantes pueden no contener olor.

34. Si el aparato se instala, utiliza o almacena en un área sin ventilación, la sala debe estar diseñada para evitar la acumulación de fugas de refrigerante que provoquen un riesgo de incendio o explosión, debido a la ignición del refrigerante causada por calentadores eléctricos, estufas u otras fuentes de ignición.
35. El aparato debe almacenarse de forma que se eviten fallos mecánicos.
36. Este aparato contiene gas refrigerante R290. El R290 es un gas refrigerante que cumple las directivas europeas sobre el medio ambiente. No perfora ninguna parte del circuito de refrigerante.
37. Las personas que operan o trabajan en el circuito de refrigerante deben contar con la certificación correspondiente emitida por una organización acreditada, que garantice la competencia en el manejo de refrigerantes según una evaluación específica reconocida por las asociaciones del sector.
38. Consulte en los párrafos siguientes las instrucciones para reparar aparatos que contienen R290.
39. Para evitar cualquier daño, coloque el aparato en posición vertical durante al menos 2 horas antes de ponerlo en marcha.



Advertencia: Riesgo de incendio / Materiales inflamables.



Lea los manuales de instrucciones.



Manual del usuario; instrucciones de funcionamiento.



Indicador de servicio; lea el manual técnico.

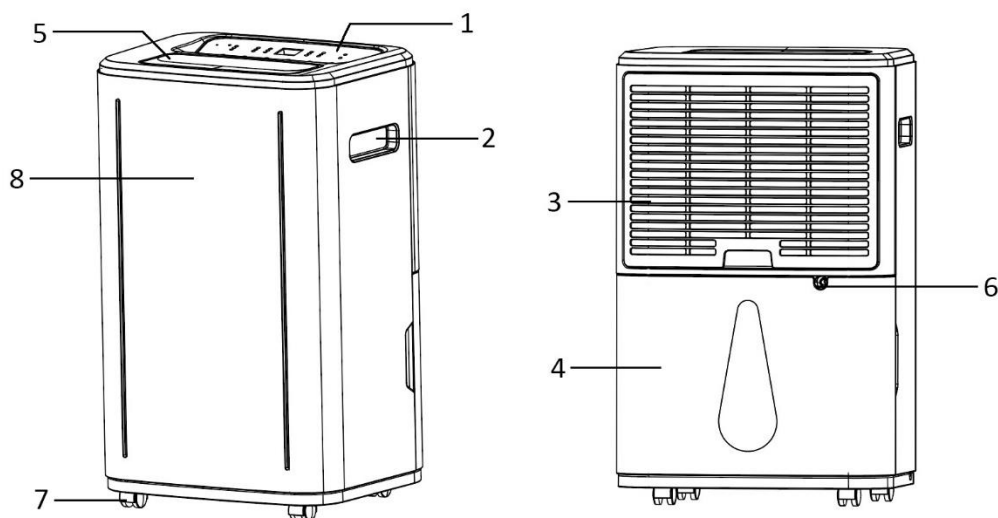
Advertencia: Mantenga las aberturas de ventilación libres de obstrucciones.

Advertencia: El aparato debe almacenarse en un área bien ventilada, en la cual el tamaño de la habitación corresponda al área de la habitación especificada para el funcionamiento. Todo procedimiento de trabajo que afecte a los medios de seguridad deberá ser realizado únicamente por personas competentes.

La distancia necesaria alrededor de la unidad debe ser de al menos 30 cm.

El aparato deberá instalarse, funcionar y almacenarse en una sala con una superficie mayor que 4 m².

DESCRIPCIÓN DE LOS COMPONENTES



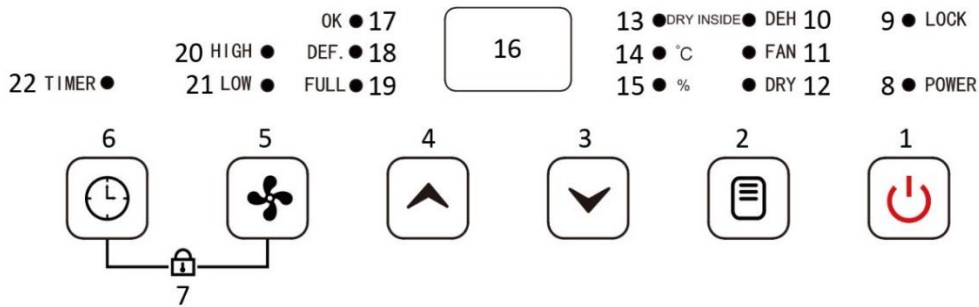
1. Panel de control
2. Asa
3. Entrada de aire y filtro
4. Depósito de agua
5. Salida de aire (con tapa)
6. Salida de drenaje continuo
7. Ruedas
8. Pantalla de indicación

¡Importante! El cable de alimentación está guardado en el depósito de agua para evitar que se dañe durante el transporte. Siga los pasos que se indican a continuación para liberar el cable de alimentación antes del uso.

- 1) Saque un poco el depósito de agua para extraer parte del cable de alimentación.
- 2) A continuación, saque completamente el depósito de agua.
- 3) Abra la tapa del depósito en el lado derecho para sacar el cable de alimentación del depósito de agua.
- 4) Vuelva a colocar el depósito de agua en su lugar.



PANEL DE CONTROL



1. Botón de encendido/en espera
2. Botón de modo
3. Botón de ajuste descendente
4. Botón de ajuste ascendente
5. Botón de velocidad del ventilador
6. Botón de programación del tiempo
7. Indicación de los botones de bloqueo para niños
8. Luz indicadora de encendido
9. Indicador luminoso del bloqueo para niños
10. Indicador luminoso del modo de deshumidificación
11. Indicador luminoso del modo de ventilador
12. Indicador luminoso del modo para secar ropa
13. Indicador luminoso de la función de lado seco
14. Indicador luminoso de la pantalla de temperatura
15. Indicador luminoso de la pantalla de humedad
16. Pantalla digital
17. Indicador luminoso de humedad programada alcanzada
18. Indicador luminoso de la función de descongelación
19. Indicador luminoso de depósito de agua lleno (también se enciende cuando el depósito de agua no está bien colocado).
20. Indicador luminoso de alta velocidad del ventilador
21. Indicador luminoso de baja velocidad del ventilador
22. Indicador luminoso del temporizador

ANTES DE USAR POR PRIMERA VEZ

- Para evitar cualquier daño, coloque el aparato en posición vertical durante al menos 2 horas antes de ponerlo en marcha.
- Después de quitar el embalaje, asegúrese de que el aparato está en buenas condiciones.
- No permita que los niños jueguen con los materiales de embalaje, ya que existe riesgo de asfixia.

El aparato debe instalarse en una superficie plana, y donde la entrada/salida de aire no quede bloqueada. La distancia necesaria alrededor de la unidad debe ser de al menos 30 cm. Para ahorrar energía, mantenga las ventanas y la puerta cerradas cuando el aparato esté en funcionamiento.

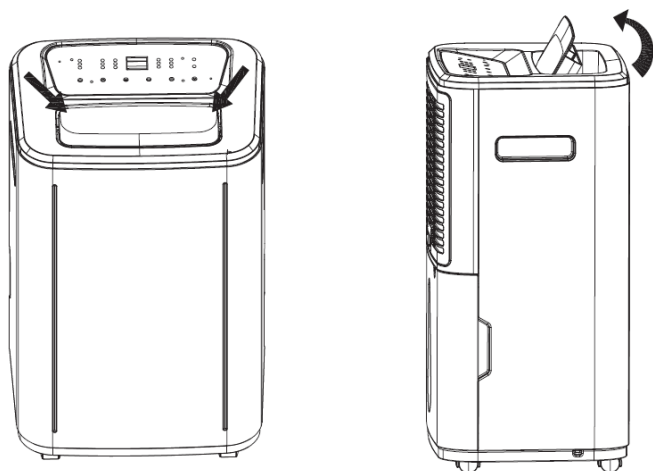
Nota: Si el deshumidificador recibe interferencias de los aparatos domésticos, como la televisión y el radiocasete, manténgalos alejados del deshumidificador a más de 70 cm.

MODO DE EMPLEO

Enchufe el aparato. Se escuchará un pitido. El aparato está en el modo de espera. El indicador luminoso de encendido está iluminado.

Botón de encendido/en espera:

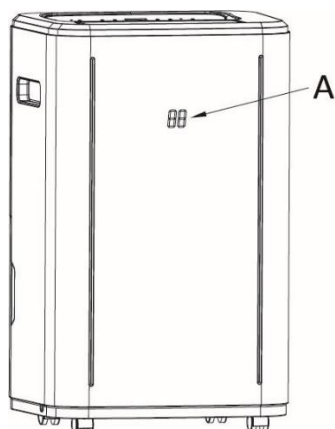
Pulse el botón de encendido/en espera para encender el aparato. Abra manualmente la tapa de salida de aire. El indicador luminoso de encendido seguirá iluminado. Pulse de nuevo el botón y el aparato entrará en modo de espera.



Botón de modo

Pulse el botón de modo para seleccionar el modo que desea: modo de deshumidificación, modo de ventilador o modo de secado de ropa.






1. Modo de deshumidificación: se enciende el indicador luminoso «DEH». La velocidad del ventilador se puede conmutar entre baja y alta. La humedad se puede ajustar entre el 35 y 85 % de HR o a «CO» (continuo). Pulse los botones «▲»/«▼» para seleccionar el ajuste. En la pantalla digital se indica la humedad ajustada.
 - 1) Cuando la humedad ambiental > la humedad ajustada +3 %, el compresor se pone en funcionamiento y el ventilador sigue girando a la velocidad programada.
Cuando la humedad ambiental < la humedad ajustada -3 %, el compresor se detiene y el ventilador cambia automáticamente a la velocidad baja.
Cuando la humedad ajustada -3 % ≤ la humedad ambiental ≤ la humedad ajustada +3 %, el compresor sigue funcionando y el ventilador sigue girando a la velocidad programada.
 - 2) Cuando la humedad ambiental no alcanza la humedad ajustada, el indicador luminoso «OK» en el panel de control está apagado. Cuando la humedad ambiental alcanza la humedad ajustada, el indicador luminoso «OK» está encendido.
 - 3) La pantalla de indicación (A) en la parte delantera del aparato mostrará 3 colores según la humedad ambiental. Muestra rojo cuando la humedad ambiental es mayor que el 65 %HR, verde cuando la humedad ambiental está entre el 45 % HR y el 65 % HR, y azul cuando la humedad ambiental es menor que el 45 % HR.



- 4) Cuando el ajuste de la humedad sea «CO», el compresor funcionará continuamente sin la limitación de la humedad ajustada, y se podrá ajustar la velocidad del ventilador. En la pantalla digital se mostrará «CO».
2. Modo de ventilador: se enciende el indicador luminoso «FAN». El compresor no funciona; la velocidad del ventilador se puede conmutar entre baja y alta. La humedad no se puede ajustar y la humedad ambiental (30~90 % HR) se indica en la pantalla digital.
3. Modo de secado de ropa: se enciende el indicador luminoso «DRY». El compresor sigue funcionando de manera continua. La velocidad del ventilador no se puede ajustar y el aparato funciona de manera predeterminada con la velocidad del ventilador alta. La humedad no se puede ajustar y la humedad ambiental (30~90 % HR) se indica en la pantalla digital.

Nota: Cuando se apaga el aparato en el modo de deshumidificación o en el modo de secado de ropa, el motor del ventilador se apagará al cabo de 1 minuto.

Botones de ajuste ascendente/descendente

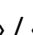

1. Pulse el botón «» para aumentar el valor de ajuste de la humedad o el temporizador. Pulse el botón «» para reducir el valor de ajuste de la humedad o el temporizador.
2. Cuando la humedad ambiental > 65 %HR, el usuario puede mantener pulsado el botón «» durante 3 segundos para activar la función para eliminar el moho (función de interior seco). El indicador luminoso de «DRY INSIDE» se encenderá. Esta función solo está disponible para el modo de deshumidificación y el modo de secado de ropa. Vuelva a mantener pulsado este botón durante 3 segundos para desactivar la función.
Nota: Si se ha seleccionado esta función y el aparato se apaga después, el motor del ventilador se apagará al cabo de 5 minutos.
3. Pulse los botones «» y «» al mismo tiempo para comprobar la temperatura ambiente en la pantalla digital. La indicación permanece durante aprox. 10 segundos.

Botón de velocidad del ventilador



1. Pulse el botón de velocidad del ventilador para seleccionar la velocidad baja o alta del ventilador. La luz indicadora correspondiente se encenderá.
2. Mantenga pulsado durante tres segundos el botón de velocidad del ventilador para encender o apagar la pantalla de indicación. Cuando la pantalla de indicación está apagada, el panel de control se atenuará al cabo de 5 segundos si no se realiza ninguna operación.

Botón del temporizador

Programar el temporizador de encendido:

- Cuando el aparato está en modo de espera, pulse el botón «TIMER». Se encenderá el indicador luminoso correspondiente de «TIMER».
- Pulse los botones «» / «» para seleccionar el tiempo de encendido que desee, entre 0 y 24 horas. El valor parpadeará en la pantalla digital y el ajuste se aplicará al cabo de aprox. 5 segundos.
- El aparato se encenderá automáticamente cuando haya transcurrido el tiempo programado.

Programar el temporizador de apagado:

- Cuando el aparato está en funcionamiento, pulse el botón «TIMER». Se encenderá el indicador luminoso correspondiente de «TIMER».
- Pulse los botones «» / «» para seleccionar el tiempo de apagado que desee, entre 0 y 24 horas. El valor parpadeará en la pantalla digital y el ajuste se aplicará al cabo de aprox. 5 segundos. En la pantalla digital se mostrará de nuevo la humedad.
- El aparato se apagará automáticamente cuando haya transcurrido el tiempo programado.

Nota: Pulse de nuevo el botón «TIMER» para consultar el tiempo restante. Siga pulsando el botón «TIMER» para cancelar la función del temporizador.

Función de bloqueo para niños

Pulse al mismo tiempo el botón del temporizador y el botón de velocidad del ventilador para activar la función de bloqueo para niños. El indicador luminoso de «LOCK» se encenderá y todos los botones del panel de control quedarán invalidados. Pulse de nuevo al mismo tiempo el botón del temporizador y el botón de velocidad del ventilador para desactivar la función de bloqueo para niños.

Función de descongelación

El aparato entrará automáticamente en la función de descongelación. El indicador luminoso «DEF.» se encenderá y el compresor se detendrá. Una vez finalizada la descongelación, se apagará el indicador luminoso «DEF.» y el compresor se pondrá en funcionamiento de nuevo.

Nota:

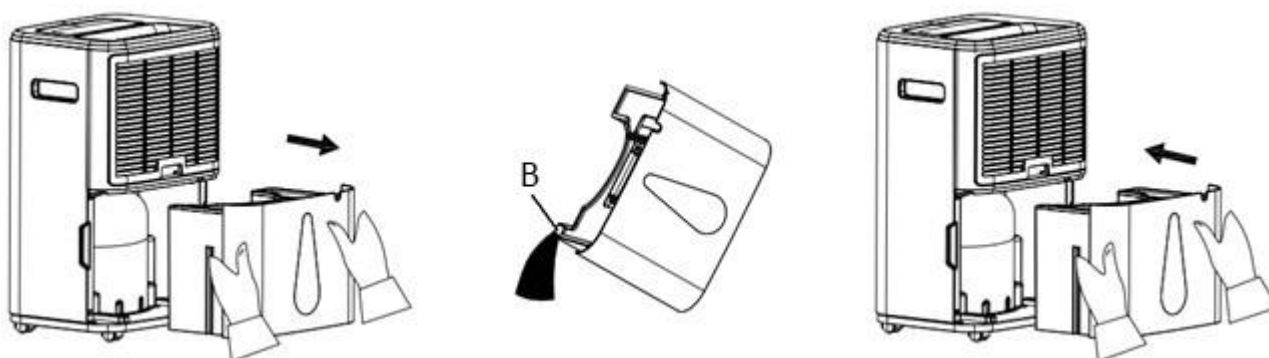
1. El rango de indicación de la humedad ambiental es de 30~90 % HR (humedad ambiental \leq 30 %, indicación 30 %; humedad ambiental \geq 90 %, indicación 90 %). La temperatura ambiente de funcionamiento de este aparato es de 5~32 °C, y la humedad ambiental de funcionamiento es del 10~95 % RH.
2. El compresor tiene una función de protección con retardo de tres minutos. Cuando el compresor está en funcionamiento y se produce un corte de corriente accidental, el compresor no se reiniciará inmediatamente cuando se vuelva a encender. Empezará a funcionar al cabo de 3 minutos.

DRENAR EL AGUA RECOGIDA

Cuando el depósito de agua esté lleno, se encenderá la luz indicadora de depósito de agua lleno. En la pantalla digital parpadeará «FL». El funcionamiento se detendrá automáticamente y el zumbador emitirá 5 pitidos para avisar al usuario de que es necesario vaciar el agua del depósito.

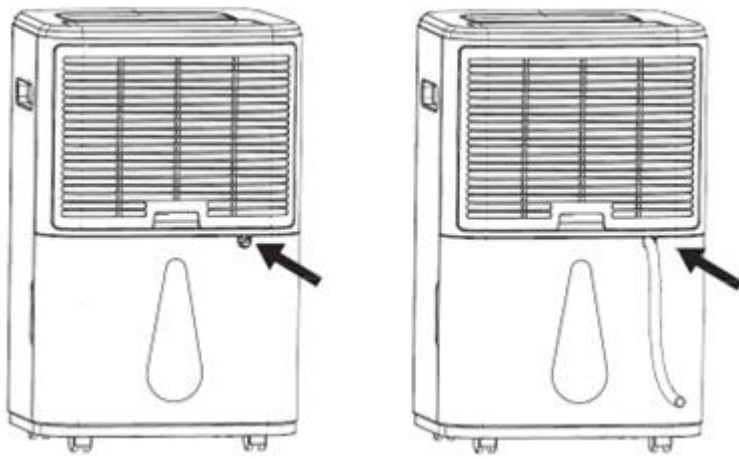
Vaciar el depósito de agua

1. Extraiga suavemente el depósito de agua sujetando la parte cóncava por ambos lados.
2. Deseche el agua recogida a través del orificio de drenaje (B).
3. Vuelva a instalar el depósito de agua empujándolo horizontal y suavemente. El asa de la tapa del depósito de agua debe estar tumbada.



Drenaje continuo del agua

Conecte el tubo de plástico suministrado a la salida de drenaje continuo, y el agua condensada se drenará continuamente a través de esta salida en lugar de acumularse en el depósito de agua. Asegúrese de que la tubería está instalada de forma descendente para que el agua salga continuamente.



LIMPIEZA Y MANTENIMIENTO

El aparato debe limpiarse regularmente para prolongar su vida útil y mantener su buen funcionamiento.

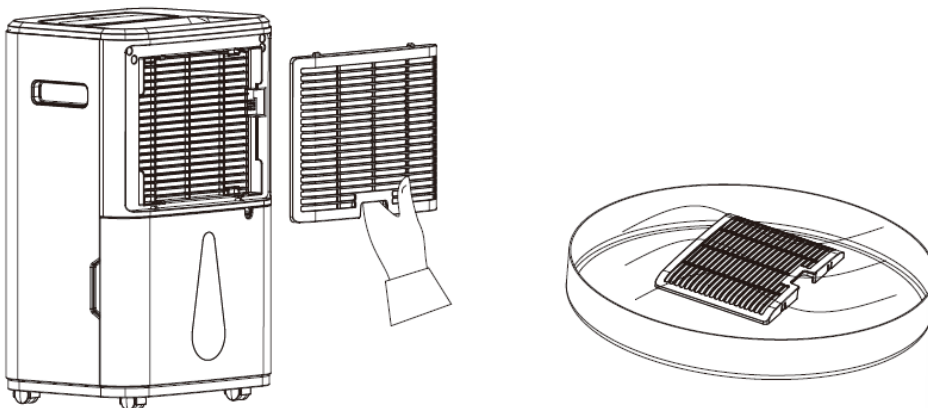
Advertencia: antes de realizar cualquier limpieza, apague el aparato y desenchúfelo para evitar descargas eléctricas. No utilice agua caliente ni disolventes químicos para la limpieza.

1. Limpie regularmente el depósito de agua con agua fría o tibia y séquelo con un paño suave para evitar la formación de moho.
2. Limpie la superficie del aparato con un paño húmedo. No utilice detergentes ni esponjas abrasivas que puedan dañar la superficie de plástico.
3. Limpie el filtro como se describe en la sección siguiente.
4. Cuando la unidad no se vaya a utilizar durante mucho tiempo:
 - 1) Vacíe y seque el depósito de agua y vuelva a instalarlo.
 - 2) Limpie el filtro.
 - 3) Coloque el aparato en posición vertical y evite la luz solar directa.

Filtro

En la parte posterior del aparato hay un filtro que debe retirarse y limpiarse con regularidad. La capacidad de deshumidificación puede reducirse cuando el juego de filtros está obstruido.

- Tire del filtro de la parte inferior para sacarlo del aparato y colóquelo en agua limpia.
- Se recomienda lavarlo como mínimo una vez cada dos semanas de uso continuo.
- Si el filtro no está sucio, quítele solo el polvo aspirando.
- Si el filtro está sucio, simplemente lávelo con agua fría o tibia que no esté a más de 40 grados; no use disolventes químicos ni agua caliente.
- Seque bien el filtro antes de montarlo.



Nota:

Para evitar que el filtro se deforme, es necesario secarlo al aire de forma natural después de limpiarlo. No use nunca un secador ni un calefactor de ningún tipo. No use alcohol, gasolina, benceno ni otros disolventes químicos para limpiar el filtro.

RESOLUCIÓN DE PROBLEMAS

Estado	Posible causa	Soluciones
Aire caliente	El aire del deshumidificador pasa a través de la unidad interior de recuperación de temperatura, por lo que se desprende aire caliente (función sin refrigeración)	No es un error de funcionamiento.
El deshumidificador no funciona	¿Está desconectado el enchufe?	Inserte el enchufe en la toma de corriente.
	¿El depósito de agua está lleno? ¿O el depósito de agua está colocado en una posición incorrecta?	Evacúe el agua del depósito y vuelva a colocar el depósito en la posición correcta.
La función de deshumidificación no funciona	La temperatura o la humedad en la habitación son demasiado bajas?	Durante la estación seca, se reduce la capacidad de deshumidificación del deshumidificador.
	¿Las entradas o salidas de aire están obstruidas?	Retire cualquier objeto que obstruya la entrada o la salida de aire.
No hay viento	¿Está obstruido el filtro de aire?	Limpie el filtro de aire.
Demasiado ruido cuando el aparato está en funcionamiento	¿Está colocado incorrectamente, de modo que el aparato está inclinado o inestable?	Evite que el aparato se utilice sobre una base inestable.
	¿Está obstruido el filtro de aire?	Limpie el filtro de aire.

DATOS TÉCNICOS:

Capacidad de deshumidificación (30 °C, 80 % HR)	30 l/día
Capacidad de deshumidificación (27 °C, 60 % HR)	16 l/día
Tensión nominal	CA 220-240 V
Frecuencia nominal	50 Hz
Potencia nominal de entrada	420 W
Corriente nominal	1,9 A
Refrigerante	R290 / 74 g

GARANTIA Y SERVICIO POSVENTA

Antes del suministro, nuestros aparatos se someten a un rigurosos control de calidad. Si a pesar de todos los cuidados surgieran desperfectos durante la producción o el transporte, le rogamos devuelva el aparato a su vendedor. Adicionalmente a los derechos legales estatutarios, el comprador posee la opción de reclamación de acuerdo con los términos de la siguiente garantía:

Para el aparato adquirido otorgamos 2 años de garantía partiendo de la fecha de venta. Si el producto está defectuoso, puede dirigirse directamente al lugar en el que lo compró.

Todos los defectos producidos por el uso indebido del aparato, y las averías debidas a intervenciones y reparaciones por parte de terceros, o el montaje de piezas de repuestos no originales, no están cubiertos por esta garantía. Guarde siempre la factura, sin ella no podrá reclamar ningún tipo de garantía. Nos no será responsable de daños materiales o lesiones personales causadas de un mal uso del aparato o si las instrucciones de seguridad no han sido seguidas correctamente. Nos declina cualquier responsabilidad por daños derivados de no seguir las instrucciones de uso correctamente. Daños en el acceso teorías no significa libre de sustitución automática del aparato completo. En dichos, consulte el servicio al cliente. Los vidrios rotos o rotura de piezas de plástico están siempre sujetas a pago. Los defectos de los consumibles o piezas susceptibles a desgaste, así como la limpieza, mantenimiento o la sustitución de dichas piezas no están cubiertas por la garantía y por lo tanto, se deben pagar.

RESPECTE EL MEDIO AMBIENTE



Reciclaje – Directiva Europea 2012/19/UE

Este símbolo indica que el producto no debe desecharse con otros residuos domésticos. Para evitar posibles daños al medioambiente o la salud humana por una eliminación descontrolada de residuos, recíclelo de forma responsable para promover la reutilización sostenible de los recursos materiales.

Para devolver su producto usado, utilice los sistemas de devolución y recogida o contacte con el vendedor en el que adquirió el producto. Pueden llevar este producto a reciclar de forma respetuosa con el medioambiente.

Emerio B.V.
Oudeweg 115
2031 CC Haarlem
The Netherlands

Customer service:
T: +31 (0) 23 3034369
www.emerio.eu/service

Kundeninformation:
T: +49 (0) 3222 1097 600
www.emerio.eu/service

Klantenservice:
T: +31 (0) 23 3034369
www.emerio.eu/service

Looking for spare parts? Have a look at www.spareparts.emerio.eu

Sie brauchen Ersatzteile? Besuchen Sie www.ersatzteile.emerio.eu

Onderdelen nodig? Kijk op www.onderdelen.emerio.eu

INSTRUCCIONES PARA LA REPARACIÓN DE APARATOS QUE CONTIENEN

R290

1. Servicio técnico

1) Controles en la zona

Antes de empezar a trabajar en sistemas que contengan refrigerantes inflamables, es necesario realizar comprobaciones de seguridad para garantizar que el riesgo de ignición sea mínimo. Para la reparación del sistema de refrigeración, se deberán cumplir las siguientes precauciones antes de realizar trabajos en el sistema.

2) Procedimiento de trabajo

Los trabajos se llevarán a cabo mediante un procedimiento controlado para minimizar el riesgo de presencia de gases o vapores inflamables durante la realización de los mismos.

3) Área de trabajo general

Todo el personal de mantenimiento y otras personas que trabajen en la zona deberán recibir instrucciones sobre la naturaleza de los trabajos que se realicen. Se evitará trabajar en espacios confinados. La zona que rodea el espacio de trabajo deberá estar seccionada. Asegúrese de que las condiciones dentro del área se han hecho seguras mediante el control del material inflamable.

4) Comprobación de la presencia de refrigerante

Se comprobará la zona con un detector de refrigerantes adecuado antes y durante el trabajo, para asegurarse de que el técnico es consciente de la existencia de atmósferas potencialmente inflamables. Asegúrese de que el equipo de detección de fugas que se utilice sea adecuado para su uso con refrigerantes inflamables, es decir, que no produzca chispas, que esté adecuadamente sellado o que sea intrínsecamente seguro.

5) Presencia de extintores

Si se va a realizar algún trabajo en caliente en el equipo de refrigeración o en alguna de sus partes, se deberá tener a mano el equipo de extinción de incendios adecuado. Tenga un extintor de polvo seco o de CO₂ junto a la zona de carga.

6) No hay fuentes de ignición

Ninguna persona que realice trabajos en relación con un sistema de refrigeración, que implique la exposición de alguna tubería que contenga o haya contenido refrigerante inflamable, utilizará ninguna fuente de ignición de manera que pueda provocar un riesgo de incendio o explosión. Todas las posibles fuentes de ignición, incluido el consumo de cigarrillos, deben mantenerse suficientemente alejadas del lugar de instalación, reparación, retirada y eliminación, durante las cuales es posible que se libere refrigerante inflamable al espacio circundante. Antes de empezar a trabajar, se debe inspeccionar la zona que rodea al equipo para asegurarse de que no haya riesgos de inflamación ni de ignición. Se deberán colocar carteles de «prohibido fumar».

7) Zona ventilada

Asegúrese de que la zona está al aire libre o de que está adecuadamente ventilada antes de intervenir en el sistema o realizar cualquier trabajo en caliente. Se deberá mantener un cierto grado de ventilación durante el período en que se realicen los trabajos. La ventilación debe dispersar de forma segura cualquier refrigerante liberado y, preferiblemente, expulsarlo al exterior, a la atmósfera.

8) Comprobación de los equipos de refrigeración

Cuando se cambien componentes eléctricos, éstos deberán ser aptos para el fin respectivo y deberán tener la especificación correcta. En todo momento se deberán seguir las directrices de mantenimiento y servicio del fabricante. En caso de duda, consulte al departamento técnico del fabricante para obtener ayuda.

Las siguientes comprobaciones se deberán aplicar a las instalaciones que utilicen refrigerantes inflamables:

- El tamaño de la carga es adecuada para el tamaño de la sala en la que se instalan las piezas que contienen refrigerante;
- La maquinaria de ventilación y las salidas funcionan adecuadamente y no están obstruidas;
- Si se utiliza un circuito de refrigeración indirecta, se deberá comprobar la presencia de refrigerante en el circuito secundario;
- El marcado del equipo sigue siendo visible y legible. Se deberán corregir las marcas y señales que sean ilegibles;

- Las tuberías o los componentes de refrigeración se instalan en una posición en la que es improbable que estén expuestos a alguna sustancia que pueda corroer los componentes que contienen refrigerante, a menos que los componentes estén contruidos con materiales intrínsecamente resistentes a la corrosión o estén adecuadamente protegidos contra ella.

9) Comprobaciones de los dispositivos eléctricos

La reparación y el mantenimiento de los componentes eléctricos deberá incluir las comprobaciones iniciales de seguridad y los procedimientos de inspección de los componentes. Si existe un fallo que pueda comprometer la seguridad, no se deberá conectar ningún suministro eléctrico al circuito hasta que se haya solucionado satisfactoriamente. Si la avería no puede corregirse inmediatamente, pero es necesario continuar con el funcionamiento, se deberá utilizar una solución temporal adecuada. Esto se comunicará al propietario del equipo para que todas las partes estén informadas. Las comprobaciones iniciales de seguridad incluirán:

- Que los condensadores se descarguen: esto se deberá hacer de forma segura para evitar la posibilidad de que se produzcan chispas;
- Que no se expongan los componentes eléctricos y el cableado bajo tensión mientras se carga, se recupera o se purga el sistema;
- Que haya continuidad en la conexión a tierra.

2. Reparación de componentes sellados

1) Durante las reparaciones de los componentes sellados, se deberán desconectar todos los suministros eléctricos del equipo en el que se está trabajando antes de retirar las cubiertas selladas, etc. Si es absolutamente necesario tener un suministro eléctrico para el equipo durante el mantenimiento, entonces una forma de detección de fugas que funcione permanentemente deberá estar ubicada en el punto más crítico para advertir de una situación potencialmente peligrosa.

2) Se deberá prestar especial atención a lo siguiente para garantizar que, al trabajar en los componentes eléctricos, no se altere la carcasa de manera que se vea afectado el nivel de protección. Esto deberá incluir daños en los cables, un número excesivo de conexiones, terminales que no se ajusten a las especificaciones originales, daños en las juntas, montaje incorrecto de los prensaestopas, etc.

Asegúrese de que el aparato esté montado de forma segura. Asegúrese de que las juntas o los materiales de sellado no se hayan degradado hasta el punto de que ya no sirven para impedir la entrada de atmósferas inflamables. Las piezas de repuesto deberán cumplir las especificaciones del fabricante.

NOTA: El uso de sellador de silicona puede inhibir la eficacia de algunos tipos de equipos de detección de fugas. No es necesario aislar los componentes de seguridad intrínseca antes de trabajar en ellos.

3. Reparación de componentes de seguridad intrínseca

No aplique ninguna carga inductiva o capacitiva permanente al circuito sin asegurarse de que no superará la tensión y la corriente permitidas para el equipo en uso. Los componentes intrínsecamente seguros son los únicos en los que se puede trabajar bajo tensión en presencia de una atmósfera inflamable. El aparato de prueba deberá tener la potencia nominal correcta. Sustituya los componentes únicamente con piezas especificadas por el fabricante. Otras piezas pueden provocar la ignición del refrigerante en la atmósfera por una fuga.

4. Cableado

Compruebe que el cableado no estará sometido a desgaste, corrosión, presión excesiva, vibración, bordes afilados o cualquier otro efecto ambiental adverso. La comprobación también deberá tener en cuenta los efectos del envejecimiento o de las vibraciones continuas procedentes de fuentes como los compresores o los ventiladores.

5. Detección de refrigerantes inflamables

Bajo ninguna circunstancia se utilizarán fuentes potenciales de ignición en la búsqueda o detección de fugas de refrigerante. No se utilizará un soplete de haluro (ni ningún otro detector que utilice una llama abierta).

6. Métodos de detección de fugas

Los siguientes métodos de detección de fugas se consideran aceptables para los sistemas que contienen refrigerantes inflamables.

Se deberán utilizar detectores de fugas electrónicos para detectar refrigerantes inflamables, pero la sensibilidad puede no ser la adecuada o necesitar una recalibración. (El equipo de detección se deberá calibrar en una zona libre de refrigerantes). Asegúrese de que el detector no es una fuente potencial de ignición y es adecuado para el refrigerante utilizado. El equipo de detección de fugas se deberá ajustar a un porcentaje del LFL del refrigerante y se deberá calibrar para el refrigerante empleado, y se confirmará el porcentaje adecuado de gas (25 % como máximo). Los fluidos de detección de fugas son adecuados para su uso con la mayoría de los refrigerantes, pero debe evitarse el uso de detergentes que contengan cloro, ya que éste puede reaccionar con el refrigerante y corroer las tuberías de cobre. Si se sospecha que hay una fuga, se retirarán/extinguirán todas las llamas abiertas. Si se detecta una fuga de refrigerante que requiera una soldadura, se deberá recuperar todo el refrigerante del sistema, o se deberá aislar (mediante válvulas de cierre) en una parte del sistema alejada de la fuga. El nitrógeno libre de oxígeno (OFN) se deberá purgar entonces a través del sistema tanto antes como durante el proceso de soldadura fuerte.

7. Retirada y evacuación

Cuando se intervenga en el circuito de refrigerante para hacer reparaciones (o para cualquier otro propósito) se deberán utilizar los procedimientos convencionales. Sin embargo, es importante que se sigan las mejores prácticas ya que la inflamabilidad es un tema a tener en cuenta. Se seguirá el siguiente procedimiento:

- Retirar el refrigerante;
- Purgar el circuito con gas inerte;
- Evacuar;
- Purgar de nuevo con gas inerte;
- Abrir el circuito cortando o soldando.

La carga de refrigerante se recuperará en los cilindros de recuperación correctos. El sistema se deberá «enjuagar» con OFN para que la unidad sea segura. Es posible que haya que repetir este proceso varias veces. No se utilizará aire comprimido ni oxígeno para esta tarea. El enjuague se deberá realizar rompiendo el vacío en el sistema con OFN y continuando el llenado hasta alcanzar la presión de trabajo, ventilando después a la atmósfera y, finalmente, reduciendo hasta el vacío. Este proceso se deberá repetir hasta que no haya refrigerante en el sistema. Cuando se utilice la carga final de OFN, el sistema se deberá ventilar hasta la presión atmosférica para poder trabajar. Esta operación es absolutamente vital si se van a realizar operaciones de soldadura en la tubería. Asegúrese de que la salida de la bomba de vacío no esté cerca de ninguna fuente de ignición y que haya ventilación disponible.

8. Procedimientos de carga

Además de los procedimientos de carga convencionales, se deberán cumplir los siguientes requisitos.

- Asegúrese de que no se produzca una contaminación de diferentes refrigerantes al utilizar el equipo de carga. Las mangueras o conductos serán lo más cortos posible para minimizar la cantidad de refrigerante que contienen.
- Los cilindros se mantendrán en posición vertical.
- Asegúrese de que el sistema de refrigeración está conectado a tierra antes de cargar el sistema con refrigerante.
- Etiquete el sistema cuando la carga esté completa (si no está ya etiquetado).
- Se debe tener mucho cuidado de no sobrecargar el sistema de refrigeración.

Antes de recargar el sistema se deberá probar la presión con OFN. El sistema se deberá someter a una prueba de estanqueidad al finalizar la carga, pero antes de la puesta en marcha. Se deberá realizar una prueba de fugas de seguimiento antes de abandonar el lugar.

9. Desmantelamiento

Antes de llevar a cabo este procedimiento, es imprescindible que el técnico esté completamente familiarizado con el equipo y todos sus detalles. Se recomienda como buena práctica que todos los refrigerantes se recuperen de forma segura. Antes de llevar a cabo la tarea, se deberá tomar una muestra de aceite y refrigerante en caso de que se requiera un análisis antes de la reutilización del refrigerante recuperado. Es esencial que se disponga de energía eléctrica antes de comenzar la tarea.

a) Familiarícese con el equipo y su funcionamiento.

b) Aísle el sistema eléctricamente.

c) Antes de intentar el procedimiento, asegúrese de que:

- Se dispone de un equipo de manipulación mecánica, si es necesario para manipular los cilindros de refrigerante;
- Todo el equipo de protección personal está disponible y se utiliza correctamente;
- El proceso de recuperación es supervisado en todo momento por una persona competente;
- Los equipos de recuperación y los cilindros se ajustan a las normas correspondientes.

d) Vacíe el sistema de refrigeración por bombeo, si es posible.

e) Si no es posible hacer el vacío, haga un colector para poder sacar el refrigerante de varias partes del sistema.

f) Asegúrese de que el cilindro está situado en la báscula antes de la recuperación.

g) Ponga en marcha la máquina de recuperación y hágala funcionar de acuerdo con las instrucciones del fabricante.

h) No llene los cilindros excesivamente. (No más del 80 % de volumen de carga líquida).

i) No supere la presión máxima de trabajo de la botella, ni siquiera temporalmente.

j) Cuando los cilindros se hayan llenado correctamente y el proceso se haya finalizado, asegúrese de que los cilindros y el equipo se retiren enseguida del lugar y que todas las válvulas de aislamiento del equipo se cierren.

k) El refrigerante recuperado no se deberá cargar en otro sistema de refrigeración, a menos que se haya limpiado y comprobado.

10. Etiquetado

El equipo deberá etiquetarse, indicando que ha sido puesto fuera de servicio y vaciado de refrigerante. La etiqueta deberá estar fechada y firmada. Asegúrese de que haya etiquetas en el equipo que indiquen que éste contiene refrigerante inflamable.

11. Recuperación

Cuando se extrae el refrigerante de un sistema, ya sea para el mantenimiento o para el desmantelamiento, se recomienda como buena práctica retirar todos los refrigerantes de forma segura. Al transferir el refrigerante a los cilindros, asegúrese de que solo se empleen cilindros de recuperación de refrigerante adecuados. Asegúrese de que se dispone del número correcto de cilindros para mantener la carga total del sistema. Todos los cilindros que se van a utilizar deberán estar designados para el refrigerante recuperado y etiquetados para ese refrigerante (es decir, cilindros especiales para la recuperación de refrigerante). Los cilindros deberán estar completos con la válvula de alivio de presión y las válvulas de cierre asociadas en buen estado de funcionamiento. Los cilindros de recuperación vacíos se deberán evacuar y, si es posible, se deberán enfriar antes de la recuperación. El equipo de recuperación deberá estar en buen estado de funcionamiento, con un conjunto de instrucciones relativas al equipo que esté a mano, y deberá ser adecuado para la recuperación de refrigerantes inflamables. Además, se dispondrá de un juego de básculas calibradas y en buen estado de funcionamiento. Las mangueras deberán estar completas con acoplamientos de desconexión sin fugas y en buen estado. Antes de utilizar la máquina de recuperación, compruebe que está en buen estado de funcionamiento, que se ha realizado correctamente el mantenimiento y que todos los componentes eléctricos asociados están sellados, para evitar la ignición en caso de fuga de refrigerante. Consulte al fabricante en caso de duda. El refrigerante recuperado se devolverá al proveedor de refrigerantes en el cilindro de recuperación correcto, y se organizará la correspondiente nota de transferencia de residuos. No mezcle los refrigerantes en las unidades de recuperación,

especialmente en los cilindros. Si se van a retirar compresores o aceites de los compresores, compruebe que se hayan vaciado hasta un nivel aceptable para asegurarse de que no quede refrigerante inflamable dentro del lubricante. El proceso de evacuación se llevará a cabo antes de devolver el compresor a los proveedores. Para acelerar este proceso, solo se empleará el calentamiento eléctrico de la carcasa del compresor. Cuando se vacíe el aceite de un sistema, se deberá hacer de forma segura.

Competencia del personal de servicio

General

Se requiere una formación especial adicional a los procedimientos habituales de reparación de equipos de refrigeración cuando se vean afectados equipos con refrigerantes inflamables.

En muchos países, esta formación la llevan a cabo organizaciones nacionales de formación, que están acreditadas para impartir las normas de competencia nacional pertinentes que pueden estar establecidas en la legislación.

La competencia alcanzada debe documentarse mediante un certificado.

Formación

La formación debe incluir contenidos sobre los temas siguientes:

Información sobre el potencial de explosión de los refrigerantes inflamables, para mostrar que los inflamables pueden ser peligrosos cuando se manipulan sin cuidado.

Información sobre las posibles fuentes de ignición, especialmente las que no son obvias, como encendedores, interruptores de la luz, aspiradoras o calentadores eléctricos.

Información sobre los diferentes conceptos de seguridad:

Sin ventilación - La seguridad del aparato no depende de la ventilación de la carcasa. La desconexión del aparato o la apertura de la carcasa no tienen ningún efecto significativo sobre la seguridad. No obstante, es posible que se acumulen fugas de refrigerante en el interior de la carcasa y que se libere una atmósfera inflamable al abrirla.

Carcasa ventilada - La seguridad del aparato depende de la ventilación de la carcasa. La desconexión del aparato o la apertura de la carcasa tienen un efecto significativo sobre la seguridad. Se debe tener cuidado de asegurar antes una ventilación suficiente.

Habitación ventilada - La seguridad del aparato depende de la ventilación de la habitación. La desconexión del aparato o la apertura de la carcasa no tienen ningún efecto significativo sobre la seguridad. La ventilación de la sala no se deberá desconectar durante los procedimientos de reparación.

Información sobre el concepto de componentes sellados y carcasas selladas según la norma IEC 60079-15:2010.

Información sobre los procedimientos de trabajo correctos:

a) Puesta en marcha

- Asegúrese de que la superficie del suelo es suficiente para la carga de refrigerante o que la manguera de ventilación está montada de forma correcta.
- Conecte las tuberías y realice una prueba de estanqueidad antes de cargar con refrigerante.
- Compruebe el equipo de seguridad antes de ponerlo en servicio.

b) Mantenimiento

- Los equipos portátiles se deberán reparar en el exterior o en un taller especialmente equipado para el mantenimiento de unidades con refrigerantes inflamables.
- Asegure una ventilación suficiente en el lugar de la reparación.
- Tenga en cuenta que el mal funcionamiento del equipo puede ser causado por la pérdida de refrigerante y que es posible que haya una fuga de refrigerante.
- Descargue los condensadores de manera que no provoquen ninguna chispa. El procedimiento estándar para cortocircuitar los terminales del condensador suele crear chispas.
- Vuelva a montar las carcasas selladas con precisión. Si las juntas están desgastadas, sustitúyalas.
- Compruebe el equipo de seguridad antes de ponerlo en servicio.

c) Reparación

- Los equipos portátiles se deberán reparar en el exterior o en un taller especialmente equipado para el mantenimiento de unidades con refrigerantes inflamables.
- Asegure una ventilación suficiente en el lugar de la reparación.
- Tenga en cuenta que el mal funcionamiento del equipo puede ser causado por la pérdida de refrigerante y que es posible que haya una fuga de refrigerante.
- Descargue los condensadores de manera que no provoquen ninguna chispa.
- Cuando se requiera una soldadura fuerte, los siguientes procedimientos se deberán llevar a cabo en el orden correcto:
 - Retirar el refrigerante. Si la normativa nacional no exige la recuperación, drene el refrigerante hacia el exterior. Tenga cuidado de que el refrigerante drenado no cause ningún peligro. En caso de duda, una persona debe vigilar la salida. Tenga especial cuidado de que el refrigerante drenado no vuelva a entrar en el edificio.
 - Evacuar el circuito de refrigerante.
 - Purgar el circuito de refrigerante con nitrógeno durante 5 minutos.
 - Evacuar de nuevo.
 - Retirar las piezas a sustituir cortando, no con llama.
 - Purgar el punto de soldadura con nitrógeno durante el procedimiento de soldadura.
 - Realizar una prueba de fugas antes de cargar con refrigerante.
- Vuelva a montar las carcasas selladas con precisión. Si las juntas están desgastadas, sustitúyalas.
- Compruebe el equipo de seguridad antes de ponerlo en servicio.

d) Desmantelamiento

- Si la seguridad se ve afectada cuando el equipo se pone fuera de servicio, la carga de refrigerante deberá eliminarse antes del desmantelamiento.
- Asegúrese de que haya suficiente ventilación en la ubicación del equipo.
- Tenga en cuenta que el mal funcionamiento del equipo puede ser causado por la pérdida de refrigerante y que es posible que haya una fuga de refrigerante.
- Descargue los condensadores de manera que no provoquen ninguna chispa.
- Retire el refrigerante. Si la normativa nacional no exige la recuperación, drene el refrigerante hacia el exterior. Tenga cuidado de que el refrigerante drenado no cause ningún peligro. En caso de duda, una persona debe vigilar la salida. Tenga especial cuidado de que el refrigerante drenado no vuelva a entrar en el edificio.
- Evacúe el circuito de refrigerante.
- Purgue el circuito de refrigerante con nitrógeno durante 5 minutos.
- Evacúe de nuevo.
- Llene con nitrógeno hasta la presión atmosférica.
- Coloque una etiqueta en el equipo que indique que el refrigerante ha sido retirado.

e) Eliminación

- Asegure que haya suficiente ventilación en el lugar de trabajo.
- Retire el refrigerante. Si la normativa nacional no exige la recuperación, drene el refrigerante hacia el exterior. Tenga cuidado de que el refrigerante drenado no cause ningún peligro. En caso de duda, una persona debe vigilar la salida. Tenga especial cuidado de que el refrigerante drenado no vuelva a entrar en el edificio.
- Evacúe el circuito de refrigerante.
- Purgue el circuito de refrigerante con nitrógeno durante 5 minutos.
- Evacúe de nuevo.
- Desconecte el compresor y drene el aceite.

Transporte, marcado y almacenamiento de unidades que emplean refrigerantes inflamables

Transporte de equipos que contienen refrigerantes inflamables

Se llama la atención sobre el hecho de que pueden existir regulaciones adicionales de transporte con respecto a los equipos que contienen gas inflamable. El número máximo permitido de equipos o la configuración de los mismos para ser transportados juntos, serán determinados por la normativa de transporte aplicable.

Señalización de los equipos mediante carteles

La señalización de aparatos similares utilizados en una zona de trabajo suele estar contemplada en la normativa local, y establece los requisitos mínimos para la provisión de señales de seguridad y/o salud para un lugar de trabajo.

Deben mantenerse todas las señales necesarias, y los empresarios deben asegurarse de que los empleados reciban instrucción y formación adecuadas y suficientes sobre el significado de las señales de seguridad apropiadas y las medidas que deben tomarse en relación con dichas señales.

La eficacia de las señales no debe verse mermada por la colocación de demasiadas señales juntas.

Los pictogramas utilizados deben ser lo más sencillos posible y contener solo los detalles esenciales.

Eliminación de equipos que utilizan refrigerantes inflamables

Consulte la normativa nacional.

Almacenamiento de equipos/aparatos

El almacenamiento de los equipos debe realizarse de acuerdo con las instrucciones del fabricante.

Almacenamiento de equipos embalados (no vendidos)

La protección del embalaje de almacenamiento debe estar diseñada de manera que los daños mecánicos en el equipo dentro del embalaje no causen una fuga de la carga de refrigerante.

El número máximo de equipos que se permite almacenar juntos estará determinado por la normativa local.