

## Instruction manual – English

### SAFETY INSTRUCTIONS

Before use make sure to read all of the below instructions in order to avoid injury or damage, and to get the best results from the appliance. Make sure to keep this manual in a safe place. If you give or transfer this appliance to someone else make sure to also include this manual.

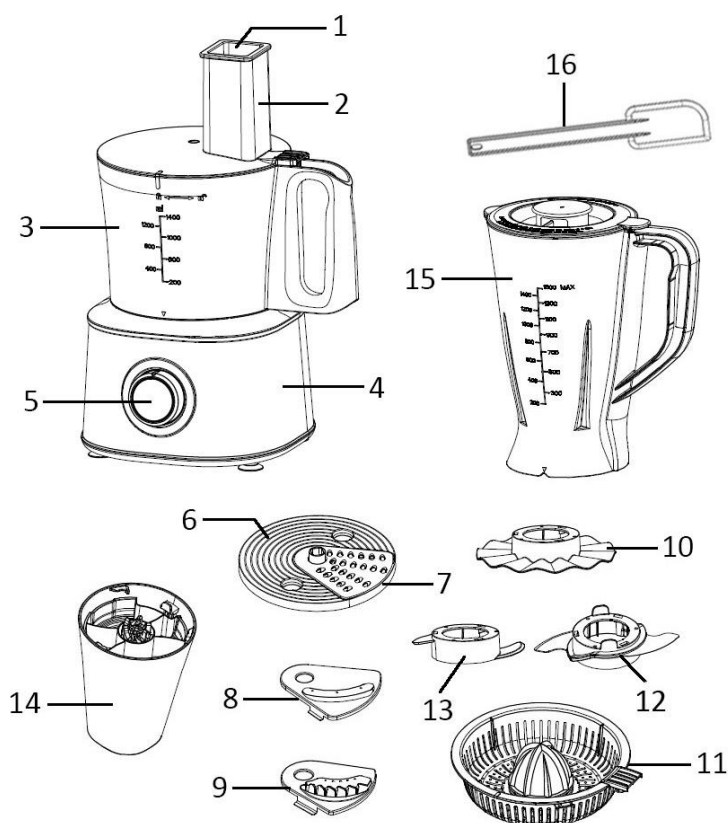
In case of damage caused by user failing to follow the instructions in this manual the warranty will be void. The manufacturer/importer accepts no liability for damages caused by failure to follow the manual, a negligent use or use not in accordance with the requirements of this manual.

1. Warning: Potential risk of injuries from misuse.
2. Always disconnect the appliance from the supply if it is left unattended and before assembling, disassembling or cleaning.
3. This appliance shall not be used by children. Keep the appliance and its cord out of reach of children.
4. Appliances can be used by persons with reduced physical, sensory or mental capabilities or lack of experience and knowledge if they have been given supervision or instruction concerning use of the appliance in a safe way and if they understand the hazards involved.
5. Children shall not play with the appliance.
6. If the supply cord is damaged, it must be replaced by the manufacturer, its service agent or similarly qualified persons in order to avoid a hazard.
7. Switch off the appliance and disconnect from supply before changing accessories or approaching parts that move in use.
8. Care shall be taken when handling the sharp cutting blades, emptying the bowl and during cleaning.
9. Be careful if hot liquid is poured into the food processor as it can be ejected out of the appliance due to a sudden steaming.
10. Before inserting the plug into the mains socket, please check that the voltage and frequency comply with the specifications on the rating label.
11. If an extension cord is used it must be suited to the power consumption of the appliance, otherwise overheating of the extension cord and/or plug may occur. There is a potential risk of injuries from tripping over the extension cord. Be careful to avoid dangerous situations.
12. Disconnect the mains plug from the socket when the appliance is not in use and before cleaning.
13. Ensure that the mains cable is not hung over sharp edges and keep it away from hot objects and open flames.
14. Do not immerse the appliance or the mains plug in water or other liquids. There is danger to life due to electric shock!
15. To remove the plug from the plug socket, pull the plug. Do not pull the power cord.
16. Do not touch the appliance if it falls into water. Remove the plug from its socket, turn off the appliance and send it to an authorized service center for repair.
17. Do not plug or unplug the appliance from the electrical outlet with a wet hand.
18. Never attempt to open the housing of the appliance, or to repair the appliance yourself. This could cause electric shock.
19. Children are unable to recognize the hazards associated with incorrect handling of electrical appliances. Therefore, children should never use electric household appliances unsupervised.
20. Never leave the appliance unattended during use.
21. This appliance is not designed for commercial use. Household use only. Do not use outdoors.
22. Do not use the appliance for other than intended use.
23. Do not wind the cord around the appliance and do not bend it.
24. The use of accessory attachment not recommended by the appliance manufacturer may cause injuries.
25. Do not interfere with any safety switches.
26. Wait until moving parts stop running before you remove the lid of machine.

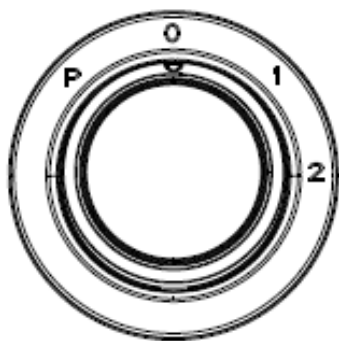
27. Keep hands and utensils away from moving blades or discs while processing food to reduce the risk of severe injury to persons or damage to the appliance. A scraper or spatula may be used, but must be used only when the appliance is not running.
28. Avoid contacting moving parts.
29. Never feed food by hand. Always use food pusher.
30. Do not use fingers to scrape food away from any accessory while the appliance is operating. Cut type injury may result.
31. Be sure the lid is securely locked into place before operating the appliance.
32. Be sure to switch off the appliance after each use. Make sure the motor stops completely before disassembling.
33. Do not put your fingers or other objects into the unit opening while it is in operation. If food becomes blocked in opening, use food pusher to push it down. When this method is not possible, turn off the appliance and disassemble to remove the remaining food.
34. The metal blades are extremely sharp, handle with care. Always hold the blade assembly by the finger grip or stem, away from the cutting edge, both when handling and cleaning.
35. To reduce the risk of injury, never place processing blade on drive shaft without the processing jar locked properly in place.
36. Regarding the instructions for cleaning the surfaces which come in contact with food, speed settings and operating times, please refer to the below paragraph of the manual.

#### PARTS DESCRIPTION

1. Food pusher
2. Feeding tube
3. Food processor jar
4. Main unit
5. Control knob
6. Disc to hold blade
7. Chipping blade
8. Slicing blade
9. Shredding blade
10. Whisking disc
11. Citrus juicer
12. Stainless steel knife blade
13. Plastic knife blade
14. Grinder
15. Blender jar
16. Spatula



## Control knob



P = Pulse speed

0 = Off

1 = Low speed

2 = High speed

## BEFORE FIRST USE

Before first use, carefully unpack the food processor and its attachments and remove any package material or label or stickers. Clean the appliance according to the instructions in section “CLEANING AND MAINTENANCE”. Handle the blades with extreme care as they are sharp. The appliance can be used for chopping the meat or vegetable and fruit, kneading, beating and whisking, shredding, slicing and chipping the vegetables or potatoes, blending the smooth soup, sauces, creams, fruit purees, milk and so on, using different accessories to perform different tasks.

## OPERATION

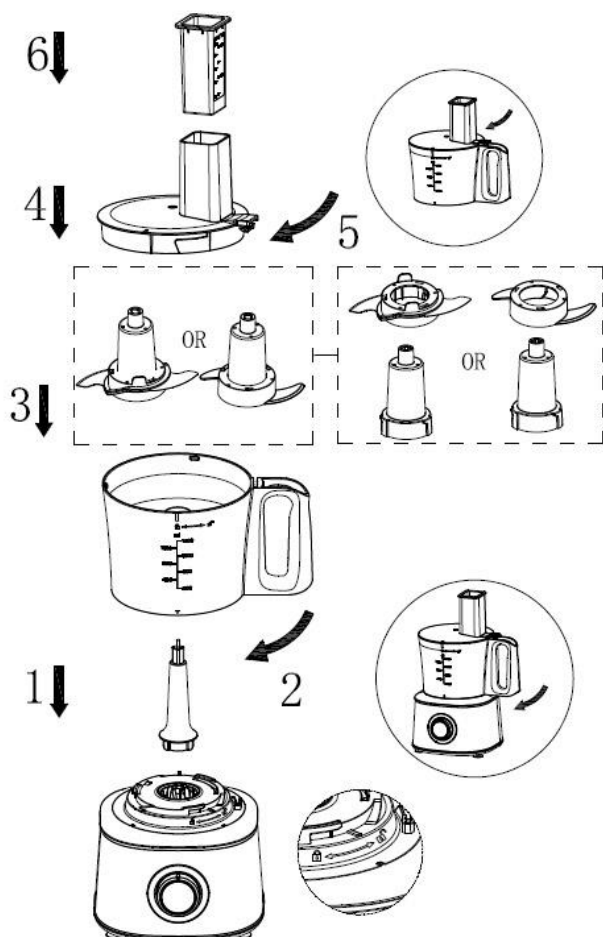
- Before processing the ingredients, please let them cool down to the room temperature.
- Before use, assemble your appliance according to below pictures.
- After assembly and add ingredients, connect the power plug to the power supply. Rotate the control knob clockwise to choose your desired speed setting.  
Pulse speed: rotate the control knob anti-clockwise and hold to get the pulse speed - a faster speed. Release the knob to turn off the appliance.
- Unplug the appliance after use.

NOTE: This appliance is equipped with a built-in safety lock. You can only switch on the appliance after you correctly assemble the one of the following parts on the main unit: the food processor jar and its lid; the grinder; the blender jar and its lid; the food processor jar and juicer.

## USING THE KNIFE BLADE

There are two knife blades (stainless steel knife blade and plastic knife blade).

1. Assemble the appliance by the following order.
2. Ensure the food processor jar in step 2 and the lid in step 5 are locked well, or the appliance will not work.
3. In step 3, you can choose your desired knife blade: stainless steel knife blade or plastic knife blade. Be sure to fix it well on the shaft.
4. After operation, you can disassemble the appliance by opposite flow and direction.
5. Only open the lid when the blade is completely stopped.



#### Stainless steel knife blade:

- Before processing, cut the food into small size such as 2cm\*2cm\*6cm for beef. Place the prepared chopping food into the jar.
- During chopping, you can add food through the feeding tube with the pusher, never using food or finger to push the food down.
- To keep the best processing result: **use pulse speed**
  - **Hard substance:** dried fruits, and vegetables like carrots, celery, etc.
  - **Soft substance:** vegetables like onions, spinach, etc.
  - **Raw and cooked meat** (boned and sliced)

**Caution:** the total operating time should not be more than 90 seconds. The maximum quantity of foodstuff is 400g.

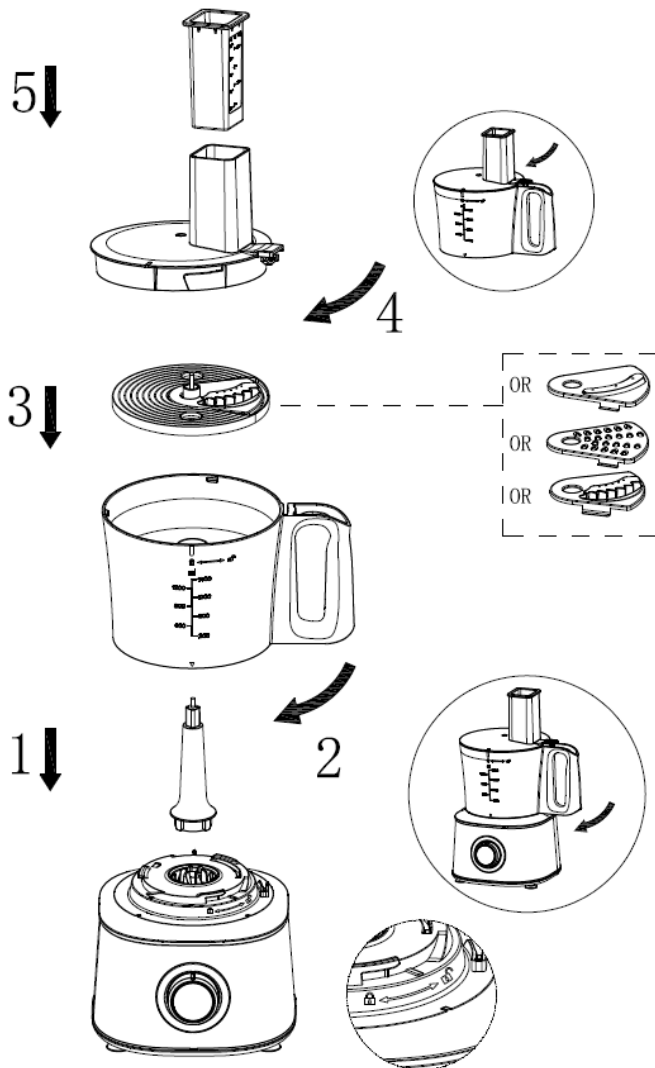
- The maximum operation time per cycle shall not exceed 30 seconds and minimum of 2 minutes rest time must be maintained between two consecutive cycles. At least 30 minutes rest time must be maintained to let the appliance cool down after three operation cycles.

#### Plastic knife blade:

- Put flour into the jar. The maximum quantity of flour is 375g.
- Add one tablespoon oil into the appliance from the feeding tube. Turn the control knob to position "2". Then add water through the feeding tube slowly within 20s. The maximum quantity of water is 225g.
- Note: The proportion of the flour and water is 5:3; flour and water shall not exceed 600g.
- Add some more water if the processing speed slows down during operating so as to make the motor run smoothly, otherwise the motor may be damaged. During kneading/mixing, to avoid shaking, press the lid with one hand, and the other hand to hold the handle.
- Switch off the appliance as soon as the pastry starts to form a ball.
- Unplug the appliance, detach the lid, firstly remove the plastic knife blade, and then remove the dough.
- The maximum operation time per cycle shall not exceed 90 seconds and minimum of 2 minutes rest time must be maintained between two consecutive cycles. At least 30 minutes rest time must be maintained to let the appliance cool down after three operation cycles.

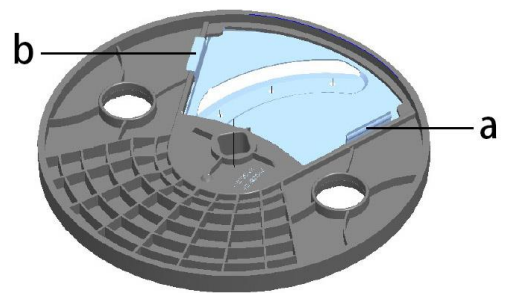
## USING THE DISC TO HOLD BLADE

1. Assemble the appliance by the following order.
2. Ensure the food processor jar in step 2 and the lid in step 4 are locked well, or the appliance will not work.
3. In step 3, you can choose your desired blade: slicing blade, chipping blade or shredding blade. Be sure to fix it well into the disc.
4. After operation, you can disassemble the appliance by opposite flow and direction.
5. Always be careful when handling the blades as they are very sharp.
6. Only open the lid when the blade is completely stopped.



To remove the blade from the disc, press the part (a) inward slowly to push down the blade. To insert the blade into the disc, attach the part (b) first onto the disc and then push in the blade.

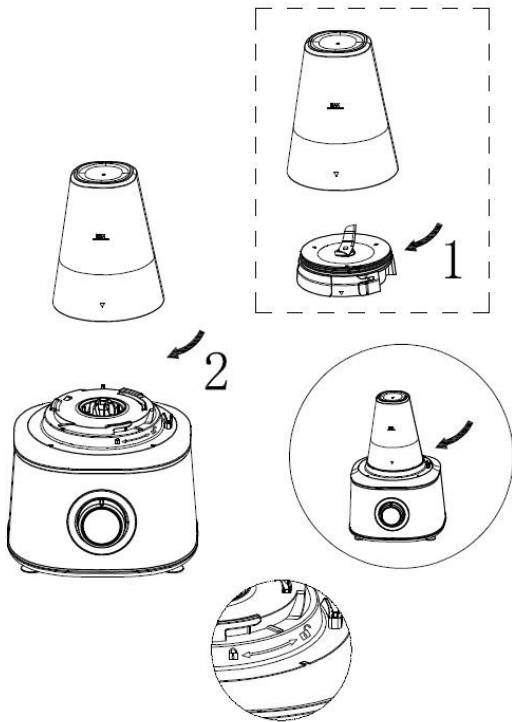
Always be careful when handling the blades as they are very sharp.



- Please pay attention to the capacity line of the container. Once the food approaches the max line on the container, please stop operation and pour out food.
- Switch on and push down evenly with the pusher - never put your fingers in the feeding tube. You can slice/chip/shred up to 500g of food like thickly-potatoes, onions, thinly-cucumbers, apples, carrots, etc.
- To keep the best processing result: **use low speed or high speed**
- The maximum operation time per cycle shall not exceed 60 seconds and minimum of 2 minutes rest time must be maintained between two consecutive cycles. At least 30 minutes rest time must be maintained to let the appliance cool down after three operation cycles.

## USING THE GRINDER

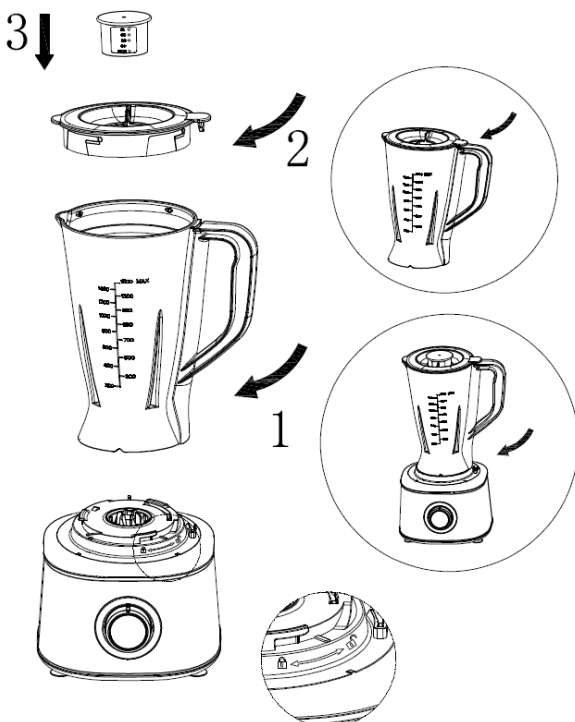
1. Assemble the appliance by the following order.
2. Ensure the grinder cup is locked well in step 2, if not the appliance will not work.
3. After operation, you can disassemble the appliance by opposite flow and direction.
4. Only take the grinder from the appliance when the blade is completely stopped.



- Use for milling coffee beans, almond and similar food. Be sure not to fill ingredients exceed the MAX level marked on the grinder; the max capacity is 100g. **Note:** do not use for blending meat.
- To keep the best processing result: **use pulse speed**
- The maximum operation time per cycle shall not exceed 60 seconds and minimum of 2 minutes rest time must be maintained between two consecutive cycles. At least 30 minutes rest time must be maintained to let the appliance cool down after three operation cycles.

### USING THE BLENDER

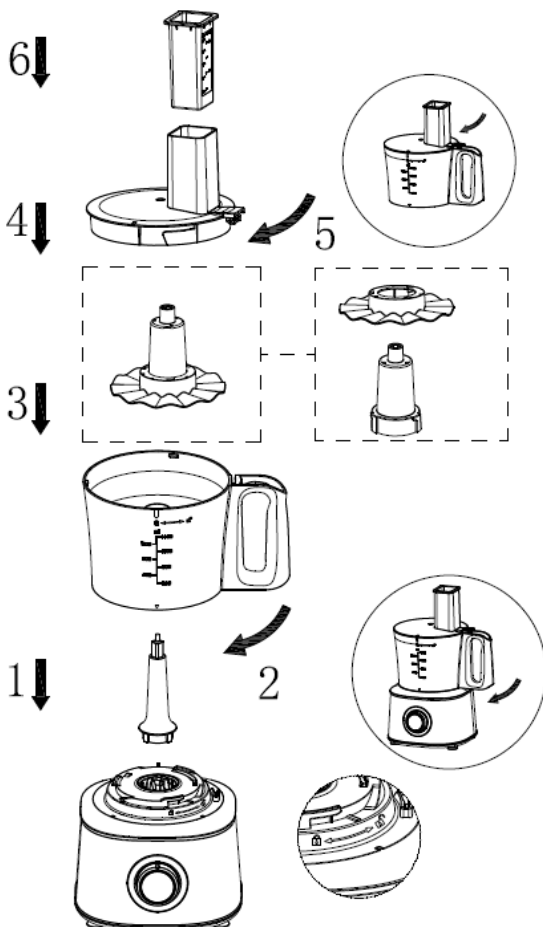
1. Assemble the appliance by the following order.
2. Ensure the blender jar and lid in step 1 and step 2 are locked well, or the appliance will not work.
3. After operation, you can disassemble the appliance by opposite flow and direction.
4. Always be careful when handling the stainless-steel blade as it is very sharp.
5. Only open the lid when the blade is completely stopped.



- Peel or core the fruit or vegetables and then cut them into small dices; put the food pieces into the jar. Usually, certain amount of purified water has to be added to facilitate the smooth running of appliance. The amount of mixture should not exceed the max level as indicated on the blender jar.
- **Note: never use boiling liquids or run the appliance empty. The blender jar cannot be used for blending meat.**
- Never open the lid when the blade is still rotating. For extra caution, you can unplug the appliance before removing the lid.
- To add liquid ingredients during processing, remove the measuring cup of the lid and pour liquid through the opening in the lid.
- Cut solid ingredients into smaller pieces before you process them.
- For a large quantity, pour small batches of ingredients instead of a large quantity at one time.
- Use cooked ingredients for a soup preparation.
- If a liquid is hot or tends to foam (e.g. milk), do not put more than 1 liter in the blender jar to avoid spillage.
- If the result is not satisfactory, switch the appliance off and stir the ingredients with a spatula.
- To keep the best processing result: **use high speed or pulse speed**
- The maximum operation time per cycle shall not exceed 120 seconds and minimum of 2 minutes rest time must be maintained between two consecutive cycles. At least 30 minutes rest time must be maintained to let the appliance cool down after three operation cycles.

#### USING THE WHISKING DISC

1. Assemble the appliance by the following order.
2. Ensure the food processor jar in step 2 and the lid in step 5 are locked well, or the machine will not work.
3. After operation, you can disassemble the appliance by opposite flow and direction.
4. Only take the disc from the appliance when the disc is completely stopped.

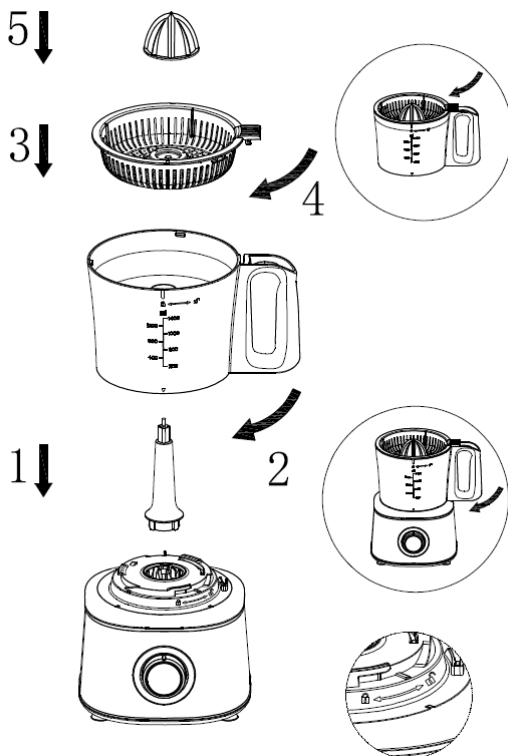


- For egg white whisking only (up to 3 egg whites); please use room temperature eggs. Please ensure the jar and whisking disc are dry and free from grease.

- To keep the best processing result: **use high speed**
- Never use this disc to knead dough or mix cake mixtures.
- The maximum operation time per cycle shall not exceed 120 seconds and minimum of 2 minutes rest time must be maintained between two consecutive cycles. At least 30 minutes rest time must be maintained to let the appliance cool down after three operation cycles.

### USING THE CITRUS JUICER

1. Assemble the appliance by the following order.
2. Ensure the food processor jar in step 2 and the juicer in step 4 are locked well, or the appliance will not work.
3. After operation, you can disassemble the appliance by opposite flow and direction.
4. Only take the juicer from the appliance when it is completely stopped.



- Use this citrus juicer to squeeze the juice from citrus fruits (e.g. oranges).
- To get the best performance, press the orange not only vertical but also on left or right side.
- To keep the best processing result: **use low speed**
- The maximum operation time per cycle shall not exceed 120 seconds and minimum of 2 minutes rest time must be maintained between two consecutive cycles. At least 30 minutes rest time must be maintained to let the appliance cool down after three operation cycles.








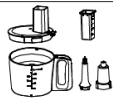


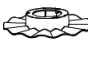







### CLEANING AND MAINTENANCE

- Before you clean the appliance, unplug it.
- Disassemble the appliance. Make sure that the cutting edges of the blades do not come into contact with hard objects. This may cause the blade to get blunt. The cutting blades are sharp. Be careful when you do the cleaning.
- Clean the main unit with a moist cloth. Never immerse it in water as electric shock is possible to occur. Then dry thoroughly. Ensure the interlock area is free of food particles.
- Clean the other parts in soapy water (<60°C). Rinse and dry.
- Except the main unit, all the other parts can be cleaned in dishwasher with water temperature less than 60°C and wash time no more than 45 minutes.
- Store the product in a dry place.



**Note:**

- Some food may discolor the disc (for slicing/chipping/shredding). This is normal and will not harm the plastic or effect the flavor of food. Rub with cloth dipped with vegetable oil to remove discoloration.
- For quick cleaning after processing tasks of chopping / blending, you can pour some water into the food processor jar / blender jar, and then turn and hold the control knob to position “P” for a few seconds.

|   |  |  |  |   |  |  |  |
|---|---|---|---|---|---|---|---|
|  | ✓   | ✓   | ✗   |  | ✓   | ✓   | ✓   |
|  | ✓   | ✓   | ✗   |  | ✓   | ✓   | ✓   |
|  | ✓   | ✓   | ✓   |  | ✓   | ✓   | ✗   |
|  | ✓   | ✓   | ✗   |  | ✓   | ✓   | ✓   |
|  | ✓   | ✓   | ✗   |  | ✓   | ✓   | ✗   |
|  | ✗   | ✗   | ✓   |  | ✓   | ✓   | ✓   |

**TECHNICAL DATA**

Operating voltage: 220-240V ~ 50-60Hz

Power consumption: 1000W



The crossed out wheeled bin symbol means that this product shall not be disposed of with normal household waste. Electronic and Electrical Equipment not included in the selective sorting process are potentially dangerous for the environment and human health due to the presence of hazardous substances. Please dispose of responsibly at an approved waste or recycling facility.

## Bedienungsanleitung – German

### SICHERHEITSHINWEISE

Lesen Sie vor dem Gebrauch unbedingt die nachfolgenden Anleitungen, um Verletzungen oder Beschädigungen zu vermeiden und das beste Ergebnis mit dem Gerät zu erzielen. Bewahren Sie diese Bedienungsanleitung an einem sicheren Ort auf. Wenn Sie dieses Gerät an eine andere Person weitergeben, stellen Sie sicher, dass Sie auch diese Bedienungsanleitung aushändigen.

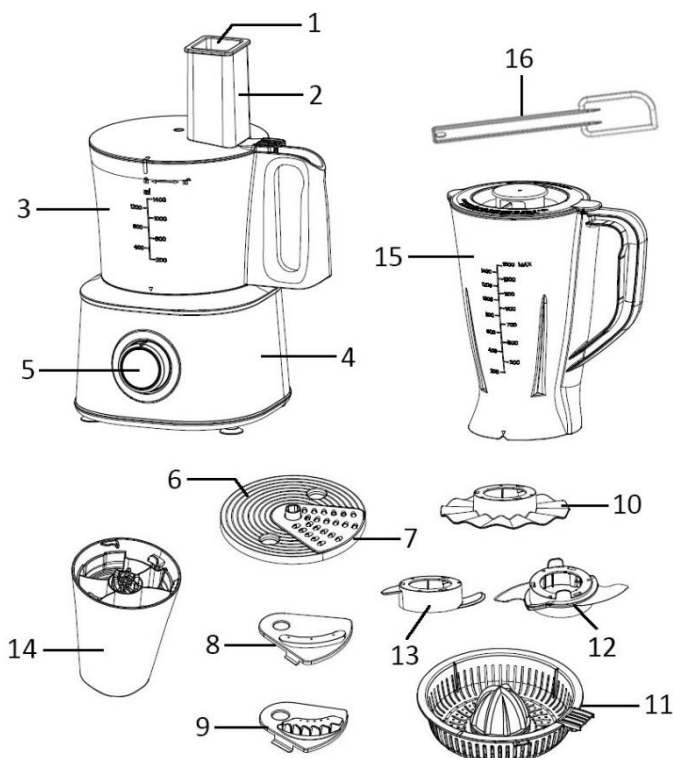
Im Falle von Beschädigungen, die durch die Missachtung der Anleitungen in dieser Bedienungsanleitung verursacht wurden, wird die Garantie ungültig. Der Hersteller/Importeur haftet nicht für Schäden, die durch Missachtung der Bedienungsanleitung, fahrlässigen Gebrauch oder Benutzung, die nicht in Übereinstimmung mit den Anforderungen dieser Bedienungsanleitung erfolgt, verursacht wurden.

1. Warnung: Verletzungsgefahr bei Fehlgebrauch.
2. Ziehen Sie immer den Netzstecker des Gerätes aus der Steckdose, wenn es unbeaufsichtigt ist und vor dem Zusammenbauen, Zerlegen oder Reinigen.
3. Dieses Gerät darf nicht von Kindern benutzt werden. Halten Sie das Gerät und sein Netzkabel außer Reichweite von Kindern.
4. Geräte können von Personen mit eingeschränkten körperlichen, sensorischen oder geistigen Fähigkeiten oder mangelnder Erfahrung und Kenntnis benutzt werden, wenn sie beaufsichtigt werden oder in die sichere Benutzung des Gerätes unterwiesen werden und wenn sie die damit verbundenen Gefahren verstehen.
5. Kinder dürfen nicht mit dem Gerät spielen.
6. Wenn das Netzkabel beschädigt ist, muss es vom Hersteller, seinem Kundendienst oder einer ähnlich qualifizierten Person ausgewechselt werden, um Gefahren zu vermeiden.
7. Schalten Sie das Gerät aus und ziehen Sie den Netzstecker, bevor Sie Zubehör auswechseln oder sich Teilen nähern, die während des Betriebs in Bewegung sind.
8. Lassen Sie bei der Handhabung der scharfen Messer, beim Leeren der Schüssel und während des Reinigens Vorsicht walten.
9. Es ist Vorsicht geboten, wenn heiße Flüssigkeiten in die Küchenmaschine gegeben werden, da sie durch plötzliches Aufkochen aus dem Gerät spritzen können.
10. Bevor Sie den Stecker mit der Netzsteckdose verbinden, prüfen Sie bitte, ob die Spannung und die Frequenz mit den Angaben auf dem Typenschild übereinstimmen.
11. Falls ein Verlängerungskabel verwendet wird, muss es für den Stromverbrauch des Gerätes geeignet sein, sonst kann es zum Überhitzen des Verlängerungskabels und/oder des Steckers kommen. Es besteht Verletzungsgefahr durch Stolpern über das Verlängerungskabel. Lassen Sie Vorsicht walten, um gefährliche Situationen zu vermeiden.
12. Ziehen Sie den Netzstecker aus der Steckdose, wenn das Gerät nicht benutzt und bevor es gereinigt wird.
13. Achten Sie darauf, dass das Netzkabel nicht über scharfe Kanten hängt und halten Sie es von heißen Objekten und offenen Flammen fern.
14. Tauchen Sie das Gerät oder den Netzstecker nicht in Wasser oder andere Flüssigkeiten. Es besteht Lebensgefahr aufgrund von Stromschlag!
15. Um den Stecker aus der Steckdose zu entfernen, ziehen Sie am Stecker. Ziehen Sie nicht am Kabel.
16. Berühren Sie das Gerät nicht, wenn es ins Wasser gefallen ist. Ziehen Sie den Stecker aus der Steckdose, schalten Sie das Gerät aus und schicken Sie es an einen autorisierten Kundendienst zwecks Reparatur.
17. Den Netzstecker des Gerätes nicht mit einer nassen Hand aus der Steckdose ziehen oder mit der Steckdose verbinden.
18. Versuchen Sie unter keinen Umständen, das Gehäuse des Gerätes zu öffnen oder das Gerät selbst zu reparieren. Dies könnte einen Stromschlag verursachen.
19. Kinder sind sich der Gefahren, die mit der falschen Handhabung von elektrischen Geräten verbunden sind, nicht bewusst. Aus diesem Grund sollten Kinder niemals unbeaufsichtigt elektrische Geräte benutzen.
20. Lassen Sie das Gerät während des Gebrauchs niemals unbeaufsichtigt.

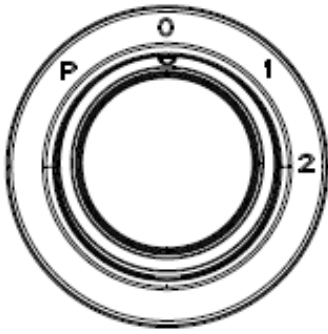
21. Dieses Gerät ist nicht für den gewerblichen Gebrauch konzipiert. Nur für den Hausgebrauch. Nicht im Freien verwenden.
22. Verwenden Sie das Gerät nur zu seinem bestimmungsgemäßen Zweck.
23. Wickeln Sie das Kabel nicht um das Gerät und knicken Sie es nicht.
24. Die Verwendung von Zubehör, das nicht vom Hersteller empfohlen wird, kann Verletzungen verursachen.
25. Schutzschalter nicht manipulieren.
26. Vor dem Entfernen des Deckels von dem Gerät warten, bis die sich bewegenden Teile stillstehen.
27. Halten Sie Hände und Gegenstände während der Verarbeitung von Lebensmitteln von den sich bewegenden Klingen oder Scheiben fern, um die Gefahr schwerer Verletzungen von Personen oder einer Beschädigung des Geräts zu verringern. Ein Schaber oder Spatel kann verwendet werden, darf aber nur benutzt werden, wenn das Gerät nicht in Betrieb ist.
28. Vermeiden Sie den Kontakt mit beweglichen Teilen.
29. Geben Sie niemals Lebensmittel per Hand hinein. Verwenden Sie immer den Stopfer.
30. Katzen Sie keine Lebensmittel mit den Fingern von den Zubehöerteilen ab während das Gerät in Betrieb ist. Dies kann zu Schnittverletzungen führen.
31. Vergewissern Sie sich, dass der Deckel sicher eingerastet ist, bevor Sie das Gerät in Betrieb nehmen.
32. Achten Sie darauf, das Gerät nach jedem Gebrauch auszuschalten. Vergewissern Sie sich vor der Demontage, dass der Motor vollständig zum Stillstand gekommen ist.
33. Stecken Sie nicht Ihre Finger oder andere Gegenstände in die Geräteöffnung, während das Gerät in Betrieb ist. Wenn Lebensmittel in der Öffnung stecken bleiben, schieben Sie sie mit dem Stopfer nach unten. Wenn diese Methode nicht möglich ist, schalten Sie das Gerät aus und zerlegen Sie es, um die Lebensmittelreste zu entfernen.
34. Die Metallklingen sind extrem scharf, seien Sie vorsichtig. Halten Sie die Messereinheit sowohl bei der Bedienung als auch bei der Reinigung immer am Haltegriff oder am Schaft und nicht an der Schneide.
35. Um die Verletzungsgefahr zu verringern, setzen Sie das Verarbeitungsmesser niemals auf die Antriebswelle, ohne dass der Behälter ordnungsgemäß verriegelt ist.
36. Um Informationen zur Reinigung der Flächen, die mit Lebensmitteln in Berührung kommen zu erhalten, lesen Sie bitte den Nachfolgenden Abschnitt Reinigung und Wartung in der Bedienungsanleitung. Um Informationen zu Geschwindigkeitseinstellungen und Betriebszeiten zu erhalten, lesen Sie bitte den nachfolgenden Abschnitt in der Bedienungsanleitung.

## GERÄTEBESCHREIBUNG

1. Stopfer
2. Befüllrohr
3. Behälter der Küchenmaschine
4. Hauptgerät
5. Bedienknopf
6. Scheibe als Klingenhalterung
7. Zerkleinerungsmesser
8. Schneidemesser
9. Häckselmesser
10. Quirlscheibe
11. Zitruspresse
12. Edelmessermesser
13. Kunststoffmesser
14. Mahlwerk
15. Mixbehälter
16. Schaber



## Bedienknopf



P = Pulse-Geschwindigkeit

0 = Aus

1 = niedrige Geschwindigkeit

2 = hohe Geschwindigkeit

## VOR DEM ERSTEN GEBRAUCH

Packen Sie die Küchenmaschine und die Zubehörteile vor der ersten Benutzung vorsichtig aus und entfernen Sie das Verpackungsmaterial sowie die Etiketten oder Aufkleber. Reinigen Sie das Gerät gemäß den Anweisungen im Abschnitt „REINIGUNG UND PFLEGE“. Behandeln Sie die Klingen mit äußerster Vorsicht, da sie scharf sind. Das Gerät kann zum Zerkleinern von Fleisch oder Gemüse und Obst, zum Kneten, Schlagen und Quirlen, zum Zerhackeln, Schneiden und Hacken von Gemüse oder Kartoffeln, zum Pürieren von Suppen, Soßen, Cremes, Fruchtpürees, Milch usw. verwendet werden, wobei verschiedene Zubehörteile für unterschiedliche Funktionen verwendet werden können.

## BETRIEB

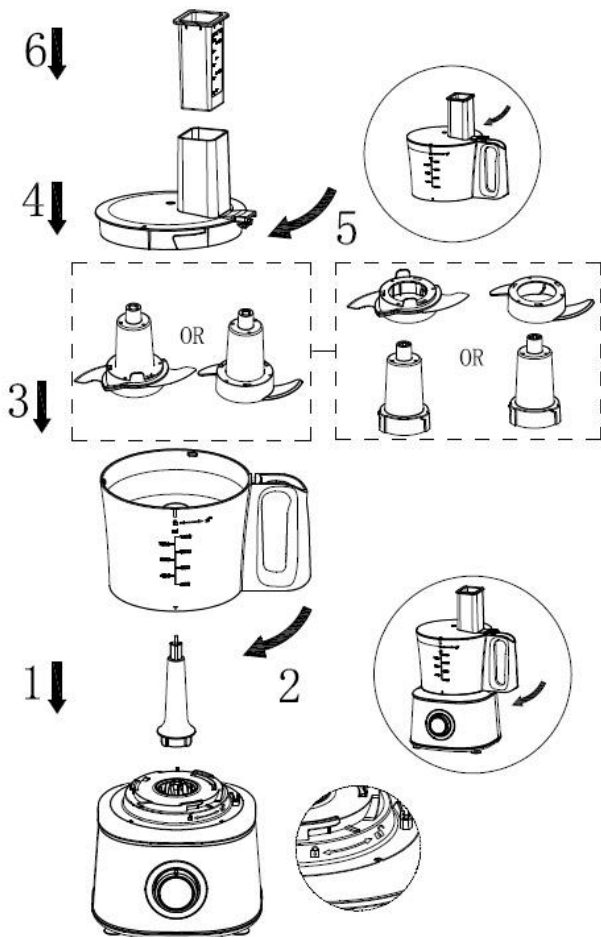
- Zutaten vor der Verarbeitung auf Zimmertemperatur abkühlen lassen.
- Das Gerät vor dem Gebrauch, wie in den nachfolgenden Abbildungen veranschaulicht, zusammensetzen.
- Nach dem Zusammenbauen und Hinzufügen der Zutaten in den Behälter den Netzstecker mit der Steckdose verbinden. Bedienknopf im Uhrzeigersinn auf die gewünschte Geschwindigkeitsstufe stellen. Pulse-Stufe: Bedienknopf gegen den Uhrzeigersinn drehen und halten, um die Pulse-Stufe (höhere Geschwindigkeit) zu aktivieren. Bedienknopf loslassen, um das Gerät auszuschalten.
- Nach dem Gebrauch den Netzstecker des Geräts ziehen.

HINWEIS: Dieses Gerät ist mit einem Sicherheitsschalter ausgestattet. Sie können das Gerät erst einschalten, wenn Sie eines der folgenden Teile korrekt an der Haupteinheit angebracht haben: Behälter der Küchenmaschine und Deckel, Mahlwerk, Mixbehälter und Deckel, Behälter der Küchenmaschine und Zitruspresse.

## VERWENDUNG DES MESSERS

Es sind zwei Messer vorhanden (eines mit Edelstahlklinge und eines mit Kunststoffklinge).

1. Das Gerät in der folgenden Reihenfolge zusammensetzen.
2. Der Küchenmaschinenbehälter in Schritt 2 und der Deckel in Schritt 5 müssen gut befestigt sein, sonst wird das Gerät nicht starten.
3. In Schritt 3 kann das gewünschte Messer - mit Edelstahlklinge oder Kunststoffklinge - ausgewählt werden. Das Messer muss fest auf der Welle angebracht werden.
4. Nach dem Betrieb kann das Gerät in umgekehrter Reihenfolge und Richtung auseinandergenommen werden.
5. Den Deckel erst öffnen, wenn das Messer vollständig stillsteht.



#### Messer mit Edelstahlklinge:

- Schneiden Sie die Lebensmittel vor der Verarbeitung in kleine Stücke, z. B. 2 x 2 x 6 cm für Rindfleisch. Legen Sie die vorbereiteten Lebensmittel in den Behälter.
- Während des Zerkleinerns können Sie die Lebensmittel mit dem Stopfer durch das Befüllrohr hinzufügen, wobei Sie die Lebensmittel niemals mit anderen Lebensmitteln oder den Fingern nach unten drücken dürfen.
- Um das beste Verarbeitungsergebnis zu erhalten: **Pulse-Stufe verwenden.**
  - **Harte Lebensmittel:** Trockenfrüchte und Gemüse wie Karotten, Sellerie, usw.
  - **Weiche Lebensmittel:** Gemüse wie Zwiebeln, Spinat, usw.
  - **Rohes und gekochtes Fleisch** (entbeint und in Scheiben geschnitten)

**Achtung:** Die Gesamtbetriebszeit sollte nicht mehr als 90 Sekunden betragen. Die Höchstmenge an Lebensmitteln beträgt 400 g.

- Die maximale Betriebszeit pro Zyklus darf 30 Sekunden nicht überschreiten und zwischen zwei aufeinanderfolgenden Zyklen müssen mindestens 2 Minuten Ruhezeit eingehalten werden. Nach drei Betriebszyklen muss eine Ruhezeit von mindestens 30 Minuten eingehalten werden, damit das Gerät abkühlen kann.

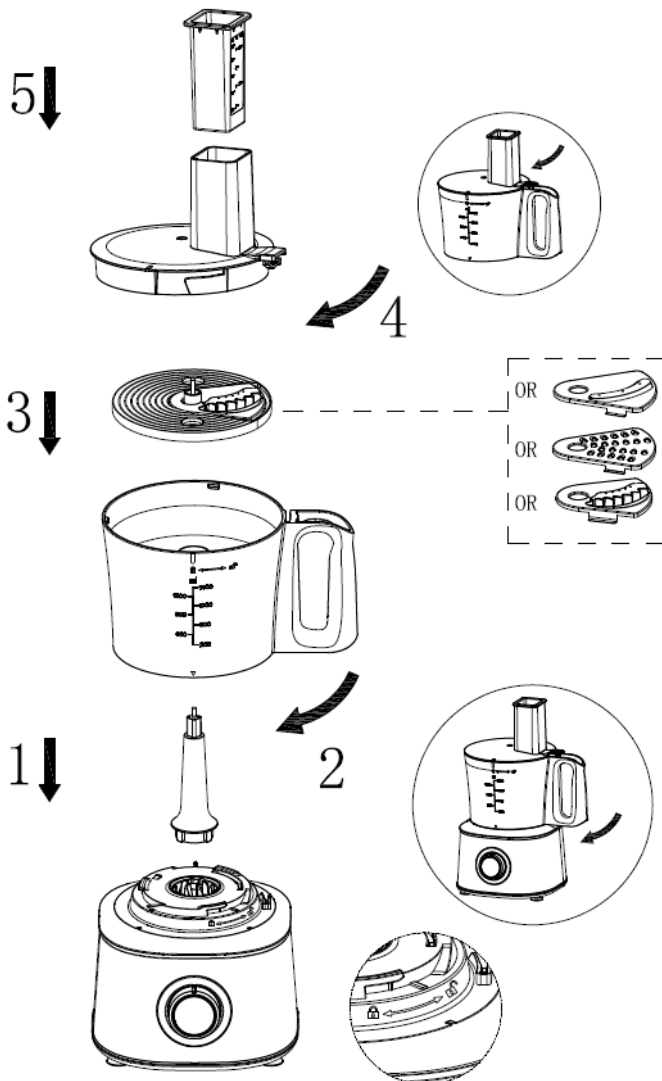
#### Messer mit Kunststoffklinge:

- Mehl in den Behälter geben. Die Höchstmenge an Mehl beträgt 375 g.
- Fügen Sie einen Esslöffel Öl über das Befüllrohr hinzu. Drehen Sie den Bedienknopf auf Position „2“. Dann fügen Sie innerhalb von 20 Sekunden langsam Wasser über das Befüllrohr hinzu. Die Höchstmenge an Wasser beträgt 225 g.
- Hinweis: Das Verhältnis von Mehl und Wasser beträgt 5:3. Mehl und Wasser dürfen 600 g nicht überschreiten.

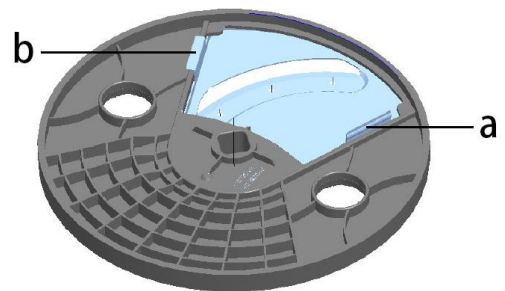
- Fügen Sie etwas mehr Wasser hinzu, wenn sich die Verarbeitungsgeschwindigkeit während des Betriebs verlangsamt, damit der Motor gleichmäßig läuft, sonst kann der Motor beschädigt werden. Drücken Sie während des Knetens/Mixens mit einer Hand auf den Deckel und mit der anderen Hand halten Sie den Griff, um ein Schütteln des Behälters zu vermeiden.
- Schalten Sie das Gerät aus, sobald der Teig beginnt, eine Kugel zu bilden.
- Ziehen Sie den Stecker aus der Steckdose, nehmen Sie den Deckel ab und entfernen Sie zuerst das Kunststoffmesser und dann den Teig.
- Die maximale Betriebszeit pro Zyklus darf 90 Sekunden nicht überschreiten und zwischen zwei aufeinanderfolgenden Zyklen müssen mindestens 2 Minuten Ruhezeit eingehalten werden. Nach drei Betriebszyklen muss eine Ruhezeit von mindestens 30 Minuten eingehalten werden, damit das Gerät abkühlen kann.

#### VERWENDUNG DER SCHEIBE ALS KLINGENHALTERUNG

1. Das Gerät in der nachfolgenden Reihenfolge zusammensetzen.
2. Der Küchenmaschinenbehälter in Schritt 2 und der Deckel in Schritt 4 müssen gut befestigt sein, sonst wird das Gerät nicht starten.
3. In Schritt 3 die gewünschte Schneidscheibe auswählen: Schneidmesser, Zerkleinerungsmesser oder Häckselmesser. Achten Sie darauf, dass die Klängen gut in der Scheibe befestigt werden.
4. Nach dem Betrieb kann das Gerät in umgekehrter Reihenfolge und Richtung auseinandergenommen werden.
5. Bei der Handhabung der Schneidscheiben ist Vorsicht geboten, da sie sehr scharf sind.
6. Den Deckel erst öffnen, wenn die Schneidscheibe komplett zum Stillstand gekommen ist.



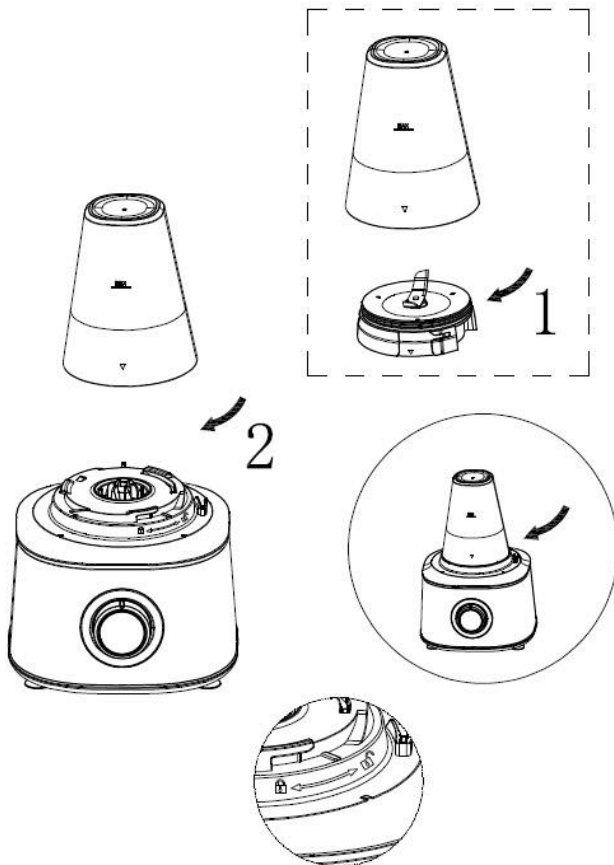
Um die Klinge von der Scheibe zu entfernen, drücken Sie das Teil (a) langsam nach innen, um die Klinge nach unten zu drücken. Um die Klinge in die Scheibe einzusetzen, befestigen Sie zuerst das Teil (b) an der Scheibe und schieben Sie dann die Klinge hinein. Bei der Handhabung der Schneidscheiben ist Vorsicht geboten, da sie sehr scharf sind.



- Bitte die Füllstandmarkierung des Behälters beachten. Wenn die Lebensmittel die max. Füllstandlinie am Behälter erreichen, den Vorgang unterbrechen und Lebensmittel aus dem Behälter kippen.
- Einschalten und gleichmäßig mit dem Schieber nach unten drücken - niemals die Finger in den Einfüllschacht stecken. Sie können bis zu 500 g Lebensmittel wie z. B. dicke Kartoffeln, Zwiebeln, dünne Gurken, Äpfel, Karotten usw. schneiden/zerkleinern/hacken.
- Um das beste Ergebnis zu erhalten: **niedrige oder hohe Geschwindigkeitsstufe verwenden.**
- Die maximale Betriebszeit pro Zyklus darf 60 Sekunden nicht überschreiten und zwischen zwei aufeinanderfolgenden Zyklen müssen mindestens 2 Minuten Ruhezeit eingehalten werden. Nach drei Betriebszyklen muss eine Ruhezeit von mindestens 30 Minuten eingehalten werden, damit das Gerät abkühlen kann.

#### VERWENDUNG DES MAHLWERKS

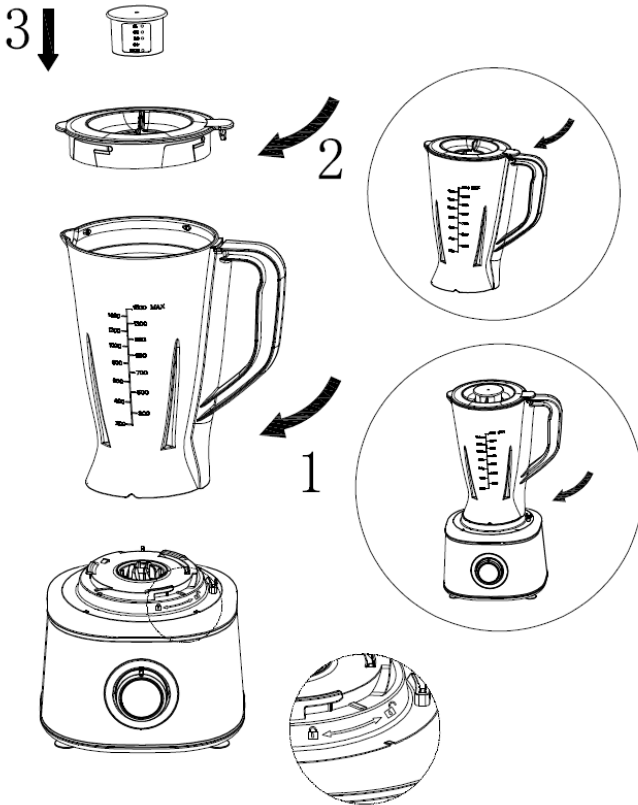
1. Das Gerät in der nachfolgenden Reihenfolge zusammensetzen.
2. In Schritt 2 sicherstellen, dass der Mahlbecher sicher befestigt ist, sonst wird das Gerät nicht funktionieren.
3. Nach dem Betrieb kann das Gerät in umgekehrter Reihenfolge und Richtung auseinandergenommen werden.
4. Das Mahlwerk nur von dem Gerät entfernen, wenn das Messer vollständig zum Stillstand gekommen ist.



- Zum Mahlen von Kaffeebohnen, Mandeln und ähnlichen Lebensmitteln verwenden. Achten Sie darauf, dass Sie die Zutaten nicht über dem auf dem Mahlwerk angegebene MAX-Füllmenge hinaus einfüllen. Die maximale Füllmenge beträgt 100 g. **Hinweis:** Nicht zum Pürieren von Fleisch verwenden.
- Um das beste Ergebnis zu erhalten: **Pulse-Stufe verwenden.**
- Die maximale Betriebszeit pro Zyklus darf 60 Sekunden nicht überschreiten und zwischen zwei aufeinanderfolgenden Zyklen müssen mindestens 2 Minuten Ruhezeit eingehalten werden. Nach drei Betriebszyklen muss eine Ruhezeit von mindestens 30 Minuten eingehalten werden, damit das Gerät abkühlen kann.

## VERWENDUNG DES MIXERS

1. Das Gerät in der nachfolgenden Reihenfolge zusammensetzen.
2. Der Mixerbehälter und Deckel in Schritt 1 und Schritt 2 müssen sicher befestigt sein, sonst wird das Gerät nicht starten.
3. Nach dem Betrieb kann das Gerät in umgekehrter Reihenfolge und Richtung auseinandergenommen werden.
4. Bei der Handhabung des Edelstahlmessers Vorsicht walten lassen, da es sehr scharf ist.
5. Den Deckel erst öffnen, wenn das Messer komplett zum Stillstand gekommen ist.



- Schälen oder entkernen Sie das Obst oder Gemüse und schneiden Sie es dann in kleine Würfel. Geben Sie die Stückchen dann in den Behälter. Normalerweise muss eine bestimmte Menge an gereinigtem Wasser hinzugefügt werden, um den reibungslosen Betrieb des Geräts zu gewährleisten. Die Menge der Masse sollte die auf dem Mixbehälter angegebene Höchstmenge nicht überschreiten.

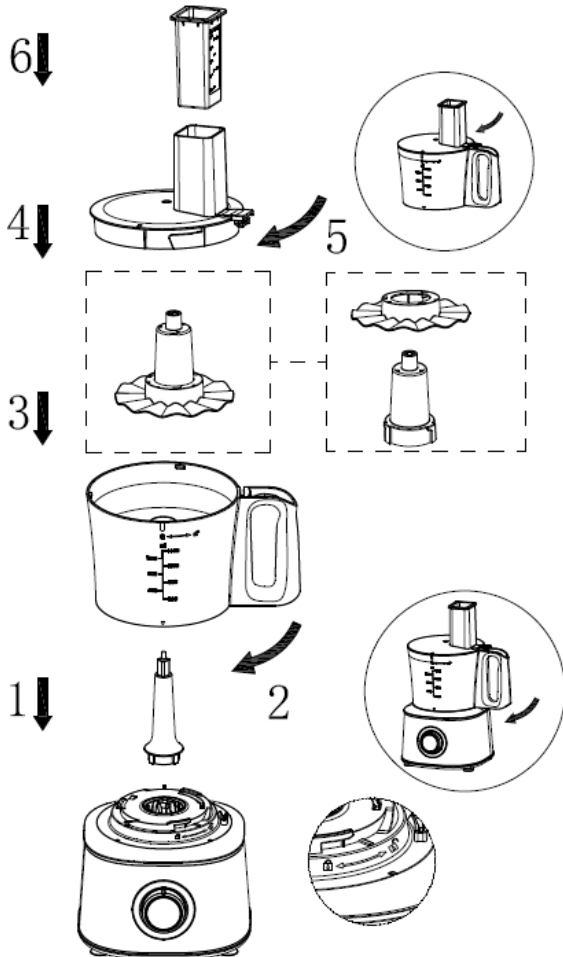
**Hinweis: Verwenden Sie niemals kochende Flüssigkeiten und lassen Sie das Gerät nicht leer laufen. Der Mixbehälter kann nicht zum Mixen von Fleisch verwendet werden.**

- Den Deckel niemals öffnen, wenn das Messer noch rotiert. Als zusätzliche Sicherheitsvorkehrung kann der Netzstecker des Geräts vor dem Öffnen des Deckels aus der Steckdose gezogen werden.
- Um während der Verarbeitung von Lebensmitteln Flüssigkeiten hinzuzufügen, den Messbecher aus dem Deckel entfernen und die Flüssigkeit durch die Deckelöffnung gießen.
- Feste Zutaten vor der Verarbeitung in kleinere Stücke schneiden.
- Große Mengen in kleineren Portionen verarbeiten anstatt eine große Menge in einem Durchgang.
- Für die Zubereitung von Suppen gegarte Lebensmittel verwenden.
- Wenn eine Flüssigkeit heiß ist oder schnell schäumt (z. B. Milch), nicht mehr als 1 Liter in den Mixerbehälter geben, um zu verhindern, dass die Flüssigkeit überläuft.
- Wenn das Ergebnis nicht zufriedenstellend ist, das Gerät ausschalten und die Zutaten mit einem Schaber umrühren.
- Um das beste Ergebnis zu erhalten: **hohe Geschwindigkeits- oder Pulse-Stufe verwenden.**
- Die maximale Betriebszeit pro Zyklus darf 120 Sekunden nicht überschreiten und zwischen zwei aufeinanderfolgenden Zyklen müssen mindestens 2 Minuten Ruhezeit eingehalten werden. Nach drei Betriebszyklen muss eine Ruhezeit von mindestens 30 Minuten eingehalten werden, damit das Gerät abkühlen kann.



## VERWENDUNG DER QUIRLSCHEIBE

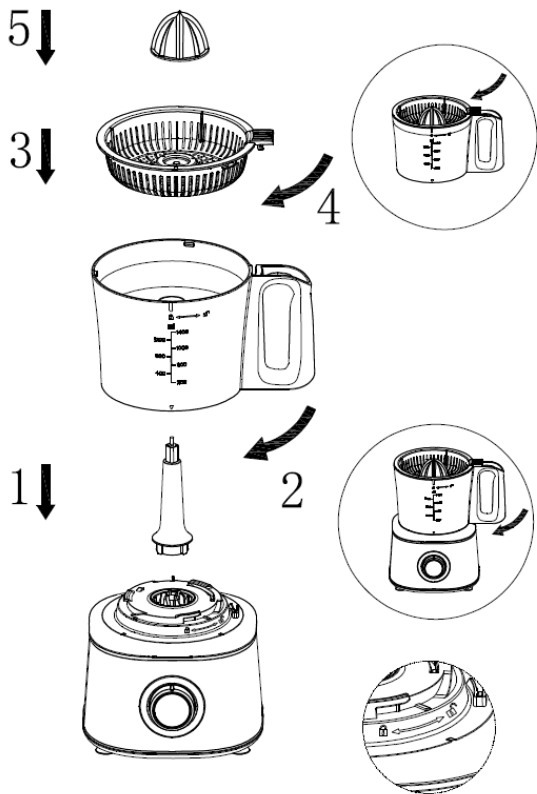
1. Das Gerät in der nachfolgenden Reihenfolge zusammensetzen.
2. Der Küchenmaschinenbehälter in Schritt 2 und der Deckel in Schritt 5 müssen sicher befestigt sein, sonst wird das Gerät nicht starten.
3. Nach dem Betrieb kann das Gerät in umgekehrter Reihenfolge und Richtung auseinandergenommen werden.
4. Die Scheibe nur von dem Gerät entfernen, wenn sie vollständig zum Stillstand gekommen ist.



- Zum Steifschlagen von Eiweiß (bis zu 3 Eiweiß) verwenden Sie bitte Eier, die Zimmertemperatur haben. Achten Sie darauf, dass der Behälter und die Quirlscheibe trocken und fettfrei sind.
- Um das beste Ergebnis zu erhalten: **hohe Geschwindigkeitsstufe verwenden.**
- Verwenden Sie diese Scheibe niemals zum Kneten von Teig oder zum Anrühren von Backmischungen.
- Die maximale Betriebszeit pro Zyklus darf 120 Sekunden nicht überschreiten und zwischen zwei aufeinanderfolgenden Zyklen müssen mindestens 2 Minuten Ruhezeit eingehalten werden. Nach drei Betriebszyklen muss eine Ruhezeit von mindestens 30 Minuten eingehalten werden, damit das Gerät abkühlen kann.

## VERWENDUNG DER ZITRUSPRESSE

1. Das Gerät in der nachfolgenden Reihenfolge zusammensetzen.
2. Der Küchenmaschinenbehälter in Schritt 2 und die Zitruspresse in Schritt 4 müssen sicher befestigt sein, sonst wird das Gerät nicht starten.
3. Nach dem Betrieb kann das Gerät in umgekehrter Reihenfolge und Richtung auseinandergenommen werden.
4. Die Zitruspresse nur von dem Gerät entfernen, wenn es vollständig zum Stillstand gekommen ist.





















- Mit der Zitruspresse kann der Saft aus Zitrusfrüchten (z. B. Orangen) ausgepresst werden.
- Um das beste Ergebnis zu erzielen, die Orange nicht nur senkrecht pressen, sondern auch von der linken und rechten Seite.
- Um das beste Ergebnis zu erhalten: **niedrige Geschwindigkeitsstufe verwenden.**
- Die maximale Betriebszeit pro Zyklus darf 120 Sekunden nicht überschreiten und zwischen zwei aufeinanderfolgenden Zyklen müssen mindestens 2 Minuten Ruhezeit eingehalten werden. Nach drei Betriebszyklen muss eine Ruhezeit von mindestens 30 Minuten eingehalten werden, damit das Gerät abkühlen kann.

## REINIGUNG UND PFLEGE

- Trennen Sie das Gerät vor der Reinigung von der Stromversorgung.
- Zerlegen des Geräts. Achten Sie darauf, dass die Schneide nicht mit harten Gegenständen in Kontakt kommt. Dies stumpft die Klinge ab. Die Klingen sind scharf. Gehen Sie bei der Reinigung vorsichtig vor.
- Wischen Sie die Haupteinheit mit einem feuchten Tuch ab. Tauchen Sie das Gerät niemals in Wasser ein, da es sonst zu einem Stromschlag kommen kann. Anschließend gründlich abtrocknen. Achten Sie darauf, dass der Verriegelungsbereich frei von Speiseresten ist.
- Die anderen Teile in Seifenwasser (<60°C) abwaschen. Spülen und abtrocknen.
- Mit Ausnahme der Haupteinheit können alle anderen Teile in einer Geschirrspülmaschine mit einer Wassertemperatur unter 60°C für maximal 45 Minuten gereinigt werden.
- Lagern Sie das Produkt an einem trockenen Ort.

## Hinweis:

- Einige Lebensmittel können die Scheibe (zum Schneiden / Zerkleinern / Hacken) verfärben. Das ist normal und schadet weder dem Kunststoff noch beeinträchtigt es den Geschmack der Lebensmittel. Mit einem in Pflanzenöl getränktem Tuch abreiben, um Verfärbungen zu entfernen.
- Für eine schnelle Reinigung nach dem Zerkleinern / Mixen können Sie etwas Wasser in den Behälter der Küchenmaschine / des Mixbehälters gießen und dann den Bedientopf einige Sekunden lang auf Position „P“ drehen und halten.


|   |  |  |  |   |  |  |  |
|---|---|---|---|---|---|--|---|
|  | ✓   | ✓   | ✗   |  | ✓   | ✓  | ✓   |
|  | ✓   | ✓   | ✗   |  | ✓   | ✓  | ✓   |
|  | ✓   | ✓   | ✓   |  | ✓   | ✓  | ✗   |
|  | ✓   | ✓   | ✗   |  | ✓   | ✓  | ✓   |
|  | ✓   | ✓   | ✗   |  | ✓   | ✓  | ✗   |
|  | ✗   | ✗   | ✓   |  | ✓   | ✓  | ✓   |

### TECHNISCHE DATEN

Betriebsspannung: 220-240V ~ 50-60Hz

Leistung: 1000W



Das nebenstehende Symbol einer durchgestrichenen Mülltonne auf Rädern zeigt an, dass dieses Gerät der Richtlinie 2012/19/EU unterliegt. Diese Richtlinie besagt, dass Sie dieses Gerät am Ende seiner Nutzungszeit nicht mit dem normalen Haushaltsmüll entsorgen dürfen, sondern in speziell  eingerichteten Sammelstellen, Wertstoffhöfen oder Entsorgungsbetrieben abgeben müssen. Diese Entsorgung ist für Sie kostenfrei. Schonen Sie die Umwelt und entsorgen Sie fachgerecht.

Beim Kauf eines Neugerätes haben Sie das Recht, das entsprechende Altgerät an Ihren Händler zurückzugeben. Händler von Elektro- und Elektronikgeräten mit einer Verkaufsfläche von mindestens 400 qm sowie Lebensmittelhändler mit einer Verkaufsfläche von mindestens 800 qm, die regelmäßig Elektro- und Elektronikgeräte verkaufen, sind außerdem verpflichtet, Altgeräte unentgeltlich zurückzunehmen, auch ohne dass ein Neugerät gekauft wird, wenn die Altgeräte in keiner Abmessung größer sind als 25 cm. Der Händler bietet Ihnen Rücknahmemöglichkeiten direkt in den Filialen und Märkten an. Informieren Sie sich auch bei Ihrem Händler über die Rücknahmemöglichkeiten vor Ort.

Sofern Ihr Altgerät personenbezogene Daten enthält, sind Sie selbst für deren Löschung verantwortlich, bevor Sie es zurückgeben. Sofern dies ohne Zerstörung des Altgerätes möglich ist, entnehmen Sie die alten Batterien oder Akkus sowie Lampen bevor Sie das Altgerät zur Entsorgung zurückgeben und führen Sie sie einer separaten Sammlung zu. Bei fest eingebauten Akkus ist bei der Entsorgung darauf hinzuweisen, dass das Gerät einen Akku enthält. Weitere Möglichkeiten zur Entsorgung des ausgedienten Produkts erfahren Sie bei Ihrer Gemeinde- oder Stadtverwaltung.