

emerio®

FP-130587.1



Food Processor (EN)
Küchenmaschine (DE)
Robot ménager (FR)
Keukenmachine (NL)
Robot kuchenny (PL)

CE

Content – Inhalt – Teneur – Inhoud – Treść

Instruction manual – English	- 2 -
Bedienungsanleitung – German	- 11 -
Mode d'emploi – French	- 22 -
Gebruiksaanwijzing – Dutch	- 32 -
Instrukcja obsługi – Polish	- 42 -

Instruction manual – English

SAFETY INSTRUCTIONS

Before use make sure to read all of the below instructions in order to avoid injury or damage, and to get the best results from the appliance. Make sure to keep this manual in a safe place. If you give or transfer this appliance to someone else make sure to also include this manual.

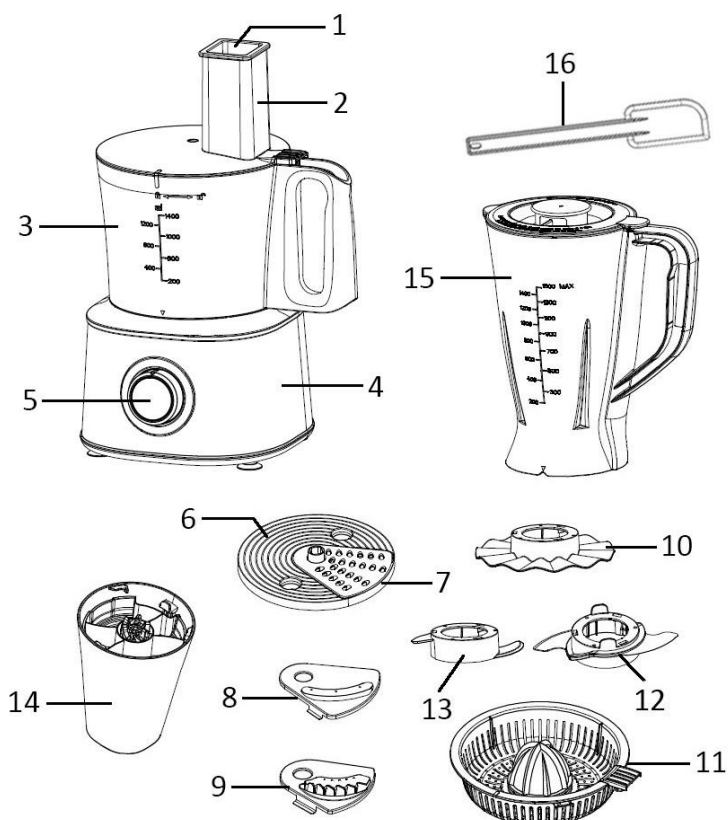
In case of damage caused by user failing to follow the instructions in this manual the warranty will be void. The manufacturer/importer accepts no liability for damages caused by failure to follow the manual, a negligent use or use not in accordance with the requirements of this manual.

1. Warning: Potential risk of injuries from misuse.
2. Always disconnect the appliance from the supply if it is left unattended and before assembling, disassembling or cleaning.
3. This appliance shall not be used by children. Keep the appliance and its cord out of reach of children.
4. Appliances can be used by persons with reduced physical, sensory or mental capabilities or lack of experience and knowledge if they have been given supervision or instruction concerning use of the appliance in a safe way and if they understand the hazards involved.
5. Children shall not play with the appliance.
6. If the supply cord is damaged, it must be replaced by the manufacturer, its service agent or similarly qualified persons in order to avoid a hazard.
7. Switch off the appliance and disconnect from supply before changing accessories or approaching parts that move in use.
8. Care shall be taken when handling the sharp cutting blades, emptying the bowl and during cleaning.
9. Be careful if hot liquid is poured into the food processor as it can be ejected out of the appliance due to a sudden steaming.
10. Before inserting the plug into the mains socket, please check that the voltage and frequency comply with the specifications on the rating label.
11. If an extension cord is used it must be suited to the power consumption of the appliance, otherwise overheating of the extension cord and/or plug may occur. There is a potential risk of injuries from tripping over the extension cord. Be careful to avoid dangerous situations.
12. Disconnect the mains plug from the socket when the appliance is not in use and before cleaning.
13. Ensure that the mains cable is not hung over sharp edges and keep it away from hot objects and open flames.
14. Do not immerse the appliance or the mains plug in water or other liquids. There is danger to life due to electric shock!
15. To remove the plug from the plug socket, pull the plug. Do not pull the power cord.
16. Do not touch the appliance if it falls into water. Remove the plug from its socket, turn off the appliance and send it to an authorized service center for repair.
17. Do not plug or unplug the appliance from the electrical outlet with a wet hand.
18. Never attempt to open the housing of the appliance, or to repair the appliance yourself. This could cause electric shock.
19. Children are unable to recognize the hazards associated with incorrect handling of electrical appliances. Therefore, children should never use electric household appliances unsupervised.
20. Never leave the appliance unattended during use.
21. This appliance is not designed for commercial use. Household use only. Do not use outdoors.
22. Do not use the appliance for other than intended use.
23. Do not wind the cord around the appliance and do not bend it.
24. The use of accessory attachment not recommended by the appliance manufacturer may cause injuries.
25. Do not interfere with any safety switches.
26. Wait until moving parts stop running before you remove the lid of machine.

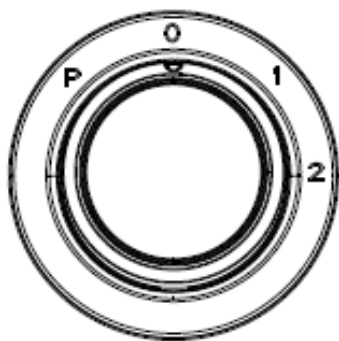
27. Keep hands and utensils away from moving blades or discs while processing food to reduce the risk of severe injury to persons or damage to the appliance. A scraper or spatula may be used, but must be used only when the appliance is not running.
28. Avoid contacting moving parts.
29. Never feed food by hand. Always use food pusher.
30. Do not use fingers to scrape food away from any accessory while the appliance is operating. Cut type injury may result.
31. Be sure the lid is securely locked into place before operating the appliance.
32. Be sure to switch off the appliance after each use. Make sure the motor stops completely before disassembling.
33. Do not put your fingers or other objects into the unit opening while it is in operation. If food becomes blocked in opening, use food pusher to push it down. When this method is not possible, turn off the appliance and disassemble to remove the remaining food.
34. The metal blades are extremely sharp, handle with care. Always hold the blade assembly by the finger grip or stem, away from the cutting edge, both when handling and cleaning.
35. To reduce the risk of injury, never place processing blade on drive shaft without the processing jar locked properly in place.
36. Regarding the instructions for cleaning the surfaces which come in contact with food, speed settings and operating times, please refer to the below paragraph of the manual.

PARTS DESCRIPTION

1. Food pusher
2. Feeding tube
3. Food processor jar
4. Main unit
5. Control knob
6. Disc to hold blade
7. Chipping blade
8. Slicing blade
9. Shredding blade
10. Whisking disc
11. Citrus juicer
12. Stainless steel knife blade
13. Plastic knife blade
14. Grinder
15. Blender jar
16. Spatula



Control knob



P = Pulse speed

0 = Off

1 = Low speed

2 = High speed

BEFORE FIRST USE

Before first use, carefully unpack the food processor and its attachments and remove any package material or label or stickers. Clean the appliance according to the instructions in section “CLEANING AND MAINTENANCE”. Handle the blades with extreme care as they are sharp. The appliance can be used for chopping the meat or vegetable and fruit, kneading, beating and whisking, shredding, slicing and chipping the vegetables or potatoes, blending the smooth soup, sauces, creams, fruit purees, milk and so on, using different accessories to perform different tasks.

OPERATION

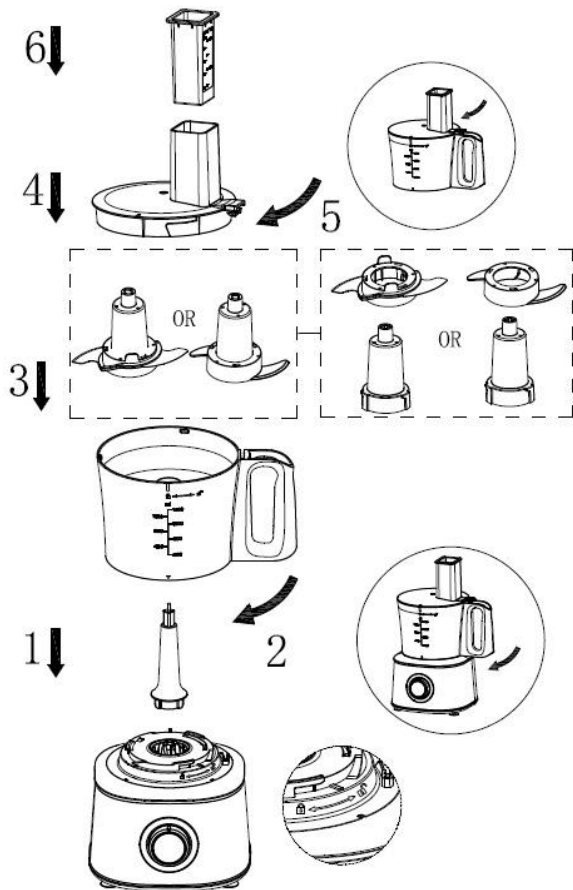
- Before processing the ingredients, please let them cool down to the room temperature.
- Before use, assemble your appliance according to below pictures.
- After assembly and add ingredients, connect the power plug to the power supply. Rotate the control knob clockwise to choose your desired speed setting.
Pulse speed: rotate the control knob anti-clockwise and hold to get the pulse speed - a faster speed. Release the knob to turn off the appliance.
- Unplug the appliance after use.

NOTE: This appliance is equipped with a built-in safety lock. You can only switch on the appliance after you correctly assemble the one of the following parts on the main unit: the food processor jar and its lid; the grinder; the blender jar and its lid; the food processor jar and juicer.

USING THE KNIFE BLADE

There are two knife blades (stainless steel knife blade and plastic knife blade).

1. Assemble the appliance by the following order.
2. Ensure the food processor jar in step 2 and the lid in step 5 are locked well, or the appliance will not work.
3. In step 3, you can choose your desired knife blade: stainless steel knife blade or plastic knife blade. Be sure to fix it well on the shaft.
4. After operation, you can disassemble the appliance by opposite flow and direction.
5. Only open the lid when the blade is completely stopped.



Stainless steel knife blade:

- Before processing, cut the food into small size such as 2cm*2cm*6cm for beef. Place the prepared chopping food into the jar.
- During chopping, you can add food through the feeding tube with the pusher, never using food or finger to push the food down.
- To keep the best processing result: **use pulse speed**
 - **Hard substance:** dried fruits, and vegetables like carrots, celery, etc.
 - **Soft substance:** vegetables like onions, spinach, etc.
 - **Raw and cooked meat** (boned and sliced)

Caution: the total operating time should not be more than 90 seconds. The maximum quantity of foodstuff is 400g.

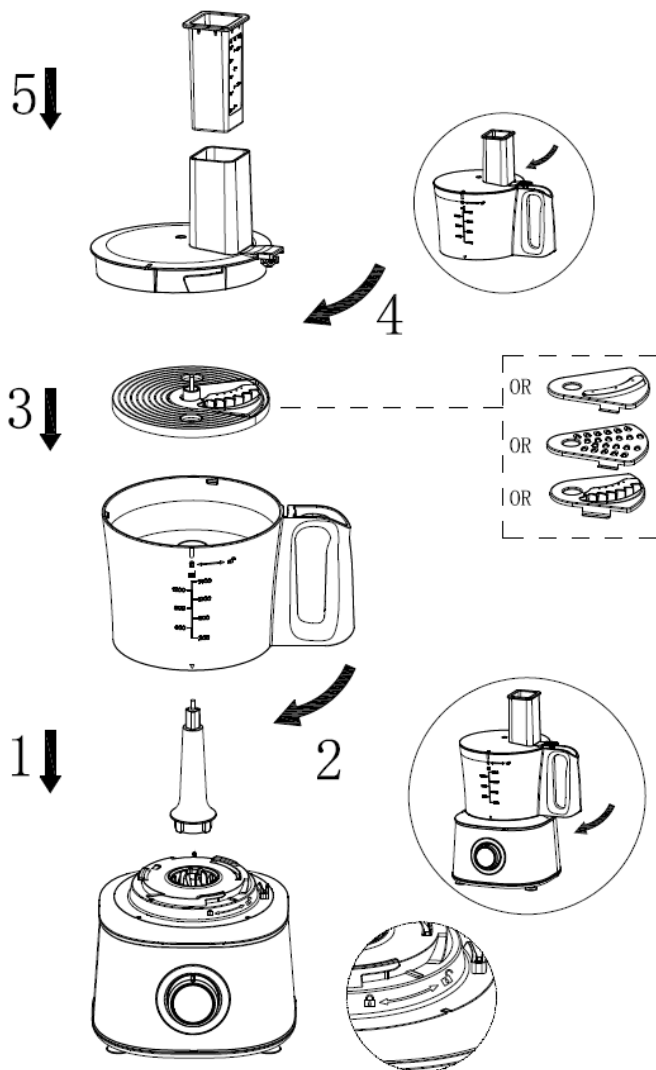
- The maximum operation time per cycle shall not exceed 30 seconds and minimum of 2 minutes rest time must be maintained between two consecutive cycles. At least 30 minutes rest time must be maintained to let the appliance cool down after three operation cycles.

Plastic knife blade:

- Put flour into the jar. The maximum quantity of flour is 375g.
- Add one tablespoon oil into the appliance from the feeding tube. Turn the control knob to position "2". Then add water through the feeding tube slowly within 20s. The maximum quantity of water is 225g.
- Note: The proportion of the flour and water is 5:3; flour and water shall not exceed 600g.
- Add some more water if the processing speed slows down during operating so as to make the motor run smoothly, otherwise the motor may be damaged. During kneading/mixing, to avoid shaking, press the lid with one hand, and the other hand to hold the handle.
- Switch off the appliance as soon as the pastry starts to form a ball.
- Unplug the appliance, detach the lid, firstly remove the plastic knife blade, and then remove the dough.
- The maximum operation time per cycle shall not exceed 90 seconds and minimum of 2 minutes rest time must be maintained between two consecutive cycles. At least 30 minutes rest time must be maintained to let the appliance cool down after three operation cycles.

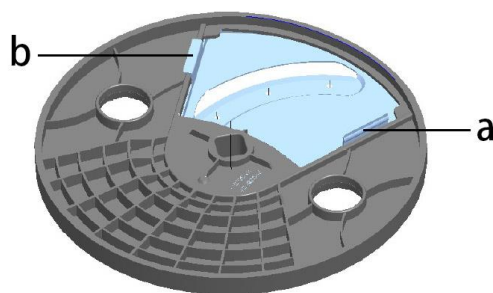
USING THE DISC TO HOLD BLADE

1. Assemble the appliance by the following order.
2. Ensure the food processor jar in step 2 and the lid in step 4 are locked well, or the appliance will not work.
3. In step 3, you can choose your desired blade: slicing blade, chipping blade or shredding blade. Be sure to fix it well into the disc.
4. After operation, you can disassemble the appliance by opposite flow and direction.
5. Always be careful when handling the blades as they are very sharp.
6. Only open the lid when the blade is completely stopped.



To remove the blade from the disc, press the part (a) inward slowly to push down the blade. To insert the blade into the disc, attach the part (b) first onto the disc and then push in the blade.

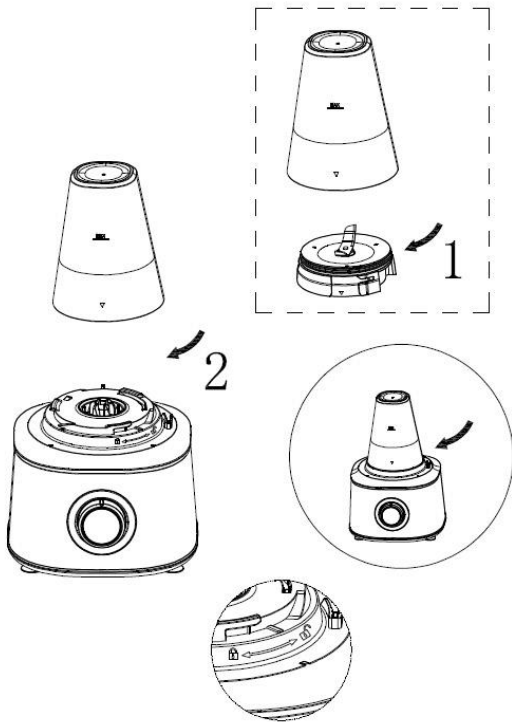
Always be careful when handling the blades as they are very sharp.



- Please pay attention to the capacity line of the container. Once the food approaches the max line on the container, please stop operation and pour out food.
- Switch on and push down evenly with the pusher - never put your fingers in the feeding tube. You can slice/chip/shred up to 500g of food like thickly-potatoes, onions, thinly-cucumbers, apples, carrots, etc.
- To keep the best processing result: **use low speed or high speed**
- The maximum operation time per cycle shall not exceed 60 seconds and minimum of 2 minutes rest time must be maintained between two consecutive cycles. At least 30 minutes rest time must be maintained to let the appliance cool down after three operation cycles.

USING THE GRINDER

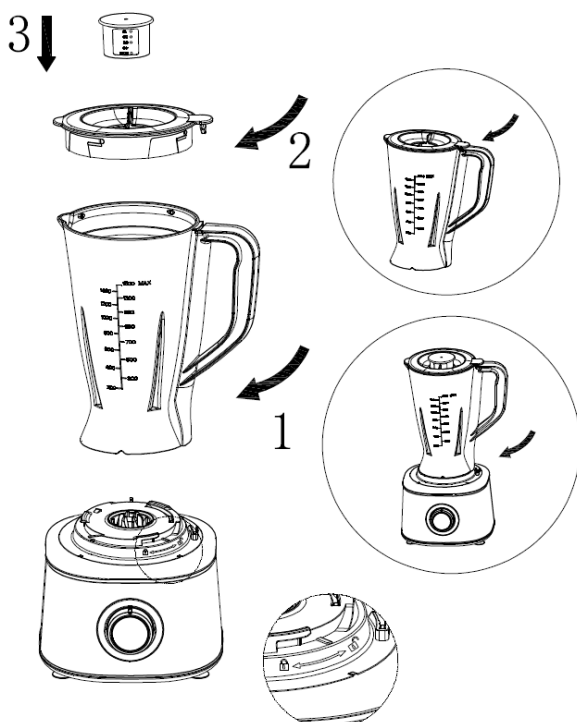
1. Assemble the appliance by the following order.
2. Ensure the grinder cup is locked well in step 2, if not the appliance will not work.
3. After operation, you can disassemble the appliance by opposite flow and direction.
4. Only take the grinder from the appliance when the blade is completely stopped.



- Use for milling coffee beans, almond and similar food. Be sure not to fill ingredients exceed the MAX level marked on the grinder; the max capacity is 100g. **Note:** do not use for blending meat.
- To keep the best processing result: **use pulse speed**
- The maximum operation time per cycle shall not exceed 60 seconds and minimum of 2 minutes rest time must be maintained between two consecutive cycles. At least 30 minutes rest time must be maintained to let the appliance cool down after three operation cycles.

USING THE BLENDER

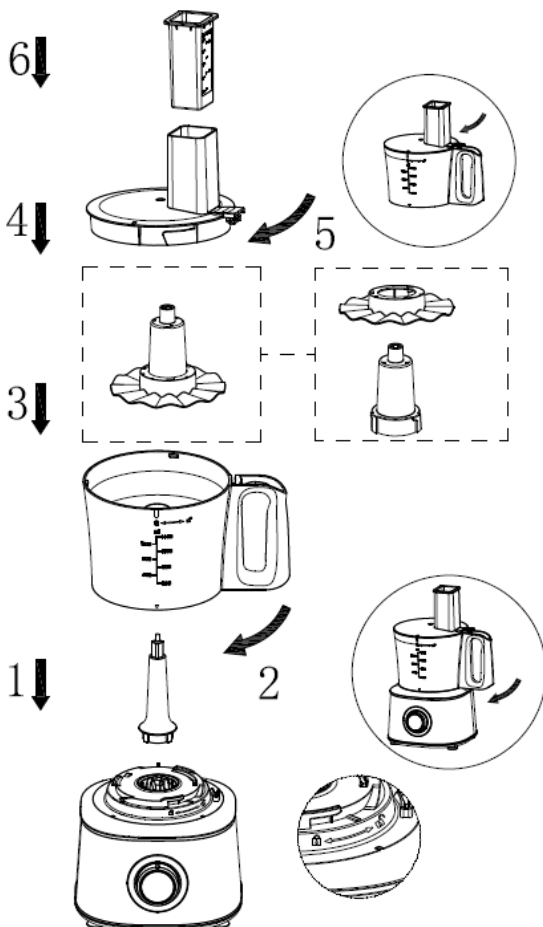
1. Assemble the appliance by the following order.
2. Ensure the blender jar and lid in step 1 and step 2 are locked well, or the appliance will not work.
3. After operation, you can disassemble the appliance by opposite flow and direction.
4. Always be careful when handling the stainless-steel blade as it is very sharp.
5. Only open the lid when the blade is completely stopped.



- Peel or core the fruit or vegetables and then cut them into small dices; put the food pieces into the jar. Usually, certain amount of purified water has to be added to facilitate the smooth running of appliance. The amount of mixture should not exceed the max level as indicated on the blender jar.
- **Note: never use boiling liquids or run the appliance empty. The blender jar cannot be used for blending meat.**
- Never open the lid when the blade is still rotating. For extra caution, you can unplug the appliance before removing the lid.
- To add liquid ingredients during processing, remove the measuring cup of the lid and pour liquid through the opening in the lid.
- Cut solid ingredients into smaller pieces before you process them.
- For a large quantity, pour small batches of ingredients instead of a large quantity at one time.
- Use cooked ingredients for a soup preparation.
- If a liquid is hot or tends to foam (e.g. milk), do not put more than 1 liter in the blender jar to avoid spillage.
- If the result is not satisfactory, switch the appliance off and stir the ingredients with a spatula.
- To keep the best processing result: **use high speed or pulse speed**
- The maximum operation time per cycle shall not exceed 120 seconds and minimum of 2 minutes rest time must be maintained between two consecutive cycles. At least 30 minutes rest time must be maintained to let the appliance cool down after three operation cycles.

USING THE WHISKING DISC

1. Assemble the appliance by the following order.
2. Ensure the food processor jar in step 2 and the lid in step 5 are locked well, or the machine will not work.
3. After operation, you can disassemble the appliance by opposite flow and direction.
4. Only take the disc from the appliance when the disc is completely stopped.

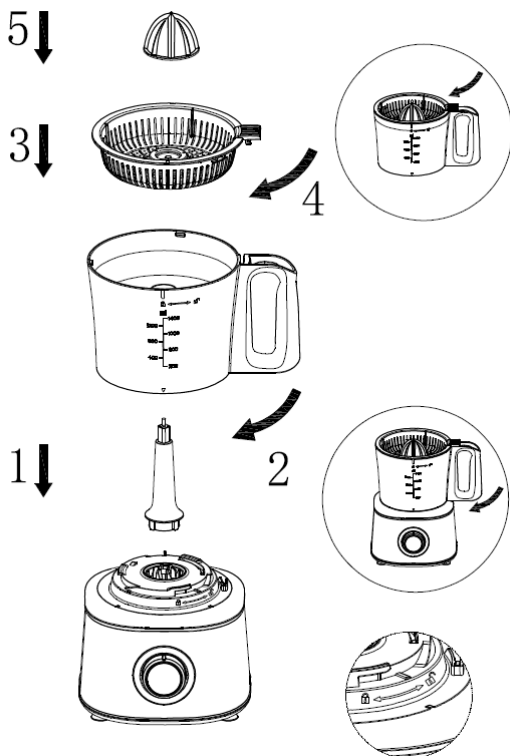


- For egg white whisking only (up to 3 egg whites); please use room temperature eggs. Please ensure the jar and whisking disc are dry and free from grease.

- To keep the best processing result: **use high speed**
- Never use this disc to knead dough or mix cake mixtures.
- The maximum operation time per cycle shall not exceed 120 seconds and minimum of 2 minutes rest time must be maintained between two consecutive cycles. At least 30 minutes rest time must be maintained to let the appliance cool down after three operation cycles.

USING THE CITRUS JUICER

1. Assemble the appliance by the following order.
2. Ensure the food processor jar in step 2 and the juicer in step 4 are locked well, or the appliance will not work.
3. After operation, you can disassemble the appliance by opposite flow and direction.
4. Only take the juicer from the appliance when it is completely stopped.





















- Use this citrus juicer to squeeze the juice from citrus fruits (e.g. oranges).
- To get the best performance, press the orange not only vertical but also on left or right side.
- To keep the best processing result: **use low speed**
- The maximum operation time per cycle shall not exceed 120 seconds and minimum of 2 minutes rest time must be maintained between two consecutive cycles. At least 30 minutes rest time must be maintained to let the appliance cool down after three operation cycles.

CLEANING AND MAINTENANCE

- Before you clean the appliance, unplug it.
- Disassemble the appliance. Make sure that the cutting edges of the blades do not come into contact with hard objects. This may cause the blade to get blunt. The cutting blades are sharp. Be careful when you do the cleaning.
- Clean the main unit with a moist cloth. Never immerse it in water as electric shock is possible to occur. Then dry thoroughly. Ensure the interlock area is free of food particles.
- Clean the other parts in soapy water (<60°C). Rinse and dry.
- Except the main unit, all the other parts can be cleaned in dishwasher with water temperature less than 60°C and wash time no more than 45 minutes.
- Store the product in a dry place.

Note:

- Some food may discolor the disc (for slicing/chipping/shredding). This is normal and will not harm the plastic or effect the flavor of food. Rub with cloth dipped with vegetable oil to remove discoloration.
- For quick cleaning after processing tasks of chopping / blending, you can pour some water into the food processor jar / blender jar, and then turn and hold the control knob to position “P” for a few seconds.

							
	✓	✓	✗		✓	✓	✓
	✓	✓	✗		✓	✓	✓
	✓	✓	✓		✓	✓	✗
	✓	✓	✗		✓	✓	✓
	✓	✓	✗		✓	✓	✗
	✗	✗	✓		✓	✓	✓

TECHNICAL DATA

Operating voltage: 220-240V ~ 50-60Hz

Power consumption: 1000W

GUARANTEE AND CUSTOMER SERVICE

Before delivery our devices are subjected to rigorous quality control. If, despite all care, damage has occurred during production or transportation, please return the device to your dealer.

For the purchased device we provide 2 years guarantee, commencing from the day of sale. If you have a defective product, you can directly go back to the point of purchase.

Defects which arise due to improper handling of the device and malfunctions due to interventions and repairs by third parties or the fitting of non-original parts are not covered by this guarantee. Always keep your receipt, without the receipt you can't claim any form of warranty. Damage caused by not following the instruction manual, will lead to a void of warranty, if this results in consequential damages then we will not be liable. Neither can we hold responsible for material damage or personal injury caused by improper use if the instruction manual is not properly executed. Damage to accessories does not mean free replacement of the whole appliance. In such case please contact our service department. Broken glass or breakage of plastic parts is always subject to a charge. Defects to consumables or parts subjected to wearing, as well as cleaning, maintenance or the replacement of said parts are not covered by the warranty and are to be paid.



The crossed out wheeie bin symbol means that this product shall not be disposed of with normal household waste. Electronic and Electrical Equipment not included in the selective sorting process are potentially dangerous for the environment and human health due to the presence of hazardous substances. Please dispose of responsibly at an approved waste or recycling facility.

Manufactured by: Emerio B.V.

Oudeweg 115, 2031 CC Haarlem, The Netherlands

Bedienungsanleitung – German

SICHERHEITSHINWEISE

Lesen Sie vor dem Gebrauch unbedingt die nachfolgenden Anleitungen, um Verletzungen oder Beschädigungen zu vermeiden und das beste Ergebnis mit dem Gerät zu erzielen. Bewahren Sie diese Bedienungsanleitung an einem sicheren Ort auf. Wenn Sie dieses Gerät an eine andere Person weitergeben, stellen Sie sicher, dass Sie auch diese Bedienungsanleitung aushändigen.

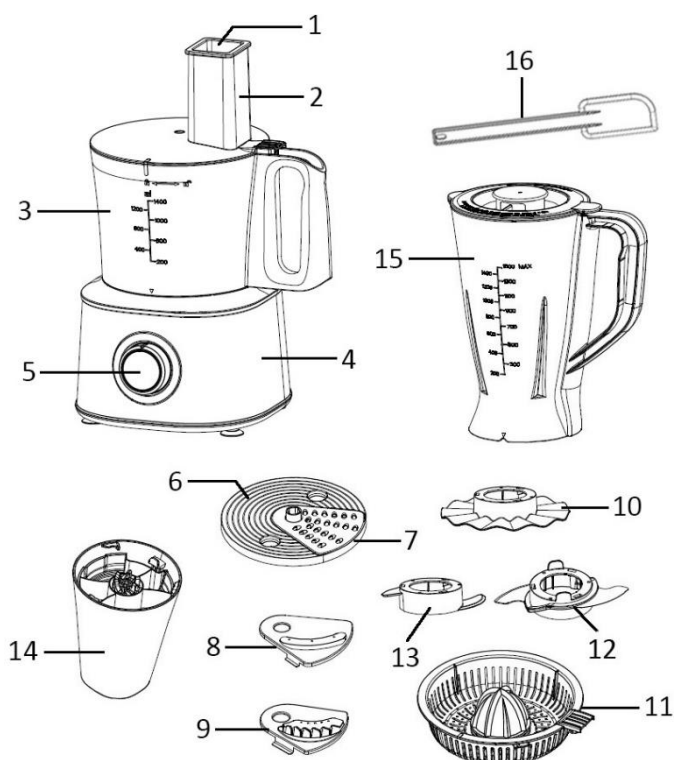
Im Falle von Beschädigungen, die durch die Missachtung der Anleitungen in dieser Bedienungsanleitung verursacht wurden, wird die Garantie ungültig. Der Hersteller/Importeur haftet nicht für Schäden, die durch Missachtung der Bedienungsanleitung, fahrlässigen Gebrauch oder Benutzung, die nicht in Übereinstimmung mit den Anforderungen dieser Bedienungsanleitung erfolgt, verursacht wurden.

1. Warnung: Verletzungsgefahr bei Fehlgebrauch.
2. Ziehen Sie immer den Netzstecker des Gerätes aus der Steckdose, wenn es unbeaufsichtigt ist und vor dem Zusammenbauen, Zerlegen oder Reinigen.
3. Dieses Gerät darf nicht von Kindern benutzt werden. Halten Sie das Gerät und sein Netzkabel außer Reichweite von Kindern.
4. Geräte können von Personen mit eingeschränkten körperlichen, sensorischen oder geistigen Fähigkeiten oder mangelnder Erfahrung und Kenntnis benutzt werden, wenn sie beaufsichtigt werden oder in die sichere Benutzung des Gerätes unterwiesen werden und wenn sie die damit verbundenen Gefahren verstehen.
5. Kinder dürfen nicht mit dem Gerät spielen.
6. Wenn das Netzkabel beschädigt ist, muss es vom Hersteller, seinem Kundendienst oder einer ähnlich qualifizierten Person ausgewechselt werden, um Gefahren zu vermeiden.
7. Schalten Sie das Gerät aus und ziehen Sie den Netzstecker, bevor Sie Zubehör auswechseln oder sich Teilen nähern, die während des Betriebs in Bewegung sind.
8. Lassen Sie bei der Handhabung der scharfen Messer, beim Leeren der Schüssel und während des Reinigens Vorsicht walten.
9. Es ist Vorsicht geboten, wenn heiße Flüssigkeiten in die Küchenmaschine gegeben werden, da sie durch plötzliches Aufkochen aus dem Gerät spritzen können.
10. Bevor Sie den Stecker mit der Netzsteckdose verbinden, prüfen Sie bitte, ob die Spannung und die Frequenz mit den Angaben auf dem Typenschild übereinstimmen.
11. Falls ein Verlängerungskabel verwendet wird, muss es für den Stromverbrauch des Gerätes geeignet sein, sonst kann es zum Überhitzen des Verlängerungskabels und/oder des Steckers kommen. Es besteht Verletzungsgefahr durch Stolpern über das Verlängerungskabel. Lassen Sie Vorsicht walten, um gefährliche Situationen zu vermeiden.
12. Ziehen Sie den Netzstecker aus der Steckdose, wenn das Gerät nicht benutzt und bevor es gereinigt wird.
13. Achten Sie darauf, dass das Netzkabel nicht über scharfe Kanten hängt und halten Sie es von heißen Objekten und offenen Flammen fern.
14. Tauchen Sie das Gerät oder den Netzstecker nicht in Wasser oder andere Flüssigkeiten. Es besteht Lebensgefahr aufgrund von Stromschlag!
15. Um den Stecker aus der Steckdose zu entfernen, ziehen Sie am Stecker. Ziehen Sie nicht am Kabel.
16. Berühren Sie das Gerät nicht, wenn es ins Wasser gefallen ist. Ziehen Sie den Stecker aus der Steckdose, schalten Sie das Gerät aus und schicken Sie es an einen autorisierten Kundendienst zwecks Reparatur.
17. Den Netzstecker des Gerätes nicht mit einer nassen Hand aus der Steckdose ziehen oder mit der Steckdose verbinden.
18. Versuchen Sie unter keinen Umständen, das Gehäuse des Gerätes zu öffnen oder das Gerät selbst zu reparieren. Dies könnte einen Stromschlag verursachen.
19. Kinder sind sich der Gefahren, die mit der falschen Handhabung von elektrischen Geräten verbunden sind, nicht bewusst. Aus diesem Grund sollten Kinder niemals unbeaufsichtigt elektrische Geräte benutzen.
20. Lassen Sie das Gerät während des Gebrauchs niemals unbeaufsichtigt.

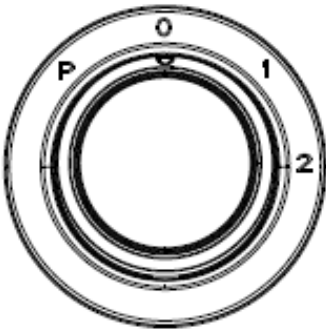
21. Dieses Gerät ist nicht für den gewerblichen Gebrauch konzipiert. Nur für den Hausgebrauch. Nicht im Freien verwenden.
22. Verwenden Sie das Gerät nur zu seinem bestimmungsgemäßen Zweck.
23. Wickeln Sie das Kabel nicht um das Gerät und knicken Sie es nicht.
24. Die Verwendung von Zubehör, das nicht vom Hersteller empfohlen wird, kann Verletzungen verursachen.
25. Schutzschalter nicht manipulieren.
26. Vor dem Entfernen des Deckels von dem Gerät warten, bis die sich bewegenden Teile stillstehen.
27. Halten Sie Hände und Gegenstände während der Verarbeitung von Lebensmitteln von den sich bewegenden Klingen oder Scheiben fern, um die Gefahr schwerer Verletzungen von Personen oder einer Beschädigung des Geräts zu verringern. Ein Schaber oder Spatel kann verwendet werden, darf aber nur benutzt werden, wenn das Gerät nicht in Betrieb ist.
28. Vermeiden Sie den Kontakt mit beweglichen Teilen.
29. Geben Sie niemals Lebensmittel per Hand hinein. Verwenden Sie immer den Stopfer.
30. Katzen Sie keine Lebensmittel mit den Fingern von den Zubehöerteilen ab während das Gerät in Betrieb ist. Dies kann zu Schnittverletzungen führen.
31. Vergewissern Sie sich, dass der Deckel sicher eingerastet ist, bevor Sie das Gerät in Betrieb nehmen.
32. Achten Sie darauf, das Gerät nach jedem Gebrauch auszuschalten. Vergewissern Sie sich vor der Demontage, dass der Motor vollständig zum Stillstand gekommen ist.
33. Stecken Sie nicht Ihre Finger oder andere Gegenstände in die Geräteöffnung, während das Gerät in Betrieb ist. Wenn Lebensmittel in der Öffnung stecken bleiben, schieben Sie sie mit dem Stopfer nach unten. Wenn diese Methode nicht möglich ist, schalten Sie das Gerät aus und zerlegen Sie es, um die Lebensmittelreste zu entfernen.
34. Die Metallklingen sind extrem scharf, seien Sie vorsichtig. Halten Sie die Messereinheit sowohl bei der Bedienung als auch bei der Reinigung immer am Haltegriff oder am Schaft und nicht an der Schneide.
35. Um die Verletzungsgefahr zu verringern, setzen Sie das Verarbeitungsmesser niemals auf die Antriebswelle, ohne dass der Behälter ordnungsgemäß verriegelt ist.
36. Um Informationen zur Reinigung der Flächen, die mit Lebensmitteln in Berührung kommen zu erhalten, lesen Sie bitte den Nachfolgenden Abschnitt Reinigung und Wartung in der Bedienungsanleitung. Um Informationen zu Geschwindigkeitseinstellungen und Betriebszeiten zu erhalten, lesen Sie bitte den nachfolgenden Abschnitt in der Bedienungsanleitung.

GERÄTEBESCHREIBUNG

1. Stopfer
2. Befüllrohr
3. Behälter der Küchenmaschine
4. Hauptgerät
5. Bedienknopf
6. Scheibe als Klingenhaltung
7. Zerkleinerungsmesser
8. Schneidemesser
9. Häckselmesser
10. Quirlscheibe
11. Zitruspresse
12. Edelmessmesser
13. Kunststoffmesser
14. Mahlwerk
15. Mixbehälter
16. Schaber



Bedienknopf



P = Pulse-Geschwindigkeit

0 = Aus

1 = niedrige Geschwindigkeit

2 = hohe Geschwindigkeit

VOR DEM ERSTEN GEBRAUCH

Packen Sie die Küchenmaschine und die Zubehörteile vor der ersten Benutzung vorsichtig aus und entfernen Sie das Verpackungsmaterial sowie die Etiketten oder Aufkleber. Reinigen Sie das Gerät gemäß den Anweisungen im Abschnitt „REINIGUNG UND PFLEGE“. Behandeln Sie die Klingen mit äußerster Vorsicht, da sie scharf sind. Das Gerät kann zum Zerkleinern von Fleisch oder Gemüse und Obst, zum Kneten, Schlagen und Quirlen, zum Zerhackeln, Schneiden und Hacken von Gemüse oder Kartoffeln, zum Pürieren von Suppen, Soßen, Cremes, Fruchtpürees, Milch usw. verwendet werden, wobei verschiedene Zubehörteile für unterschiedliche Funktionen verwendet werden können.

BETRIEB

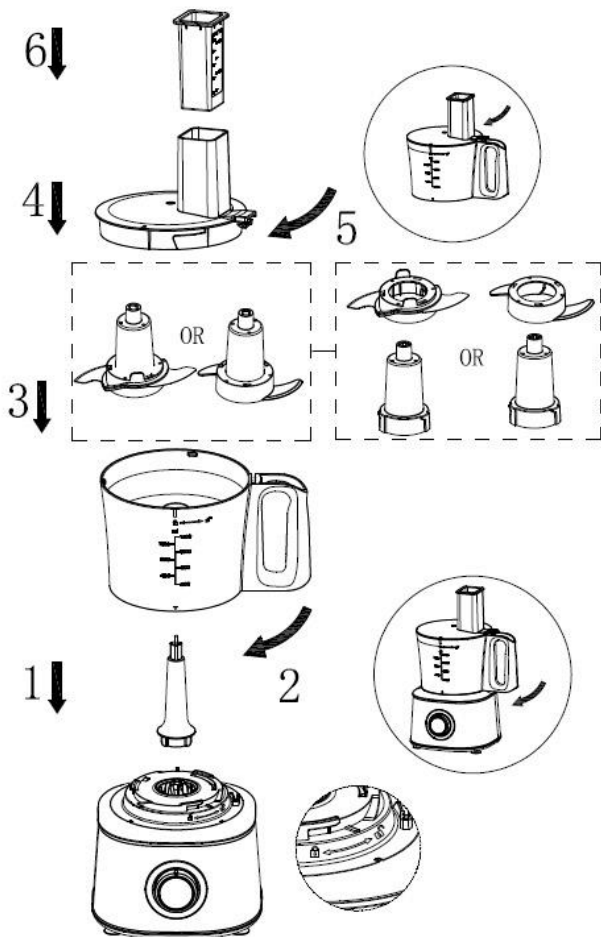
- Zutaten vor der Verarbeitung auf Zimmertemperatur abkühlen lassen.
- Das Gerät vor dem Gebrauch, wie in den nachfolgenden Abbildungen veranschaulicht, zusammensetzen.
- Nach dem Zusammenbauen und Hinzufügen der Zutaten in den Behälter den Netzstecker mit der Steckdose verbinden. Bedienknopf im Uhrzeigersinn auf die gewünschte Geschwindigkeitsstufe stellen. Pulse-Stufe: Bedienknopf gegen den Uhrzeigersinn drehen und halten, um die Pulse-Stufe (höhere Geschwindigkeit) zu aktivieren. Bedienknopf loslassen, um das Gerät auszuschalten.
- Nach dem Gebrauch den Netzstecker des Geräts ziehen.

HINWEIS: Dieses Gerät ist mit einem Sicherheitsschalter ausgestattet. Sie können das Gerät erst einschalten, wenn Sie eines der folgenden Teile korrekt an der Haupteinheit angebracht haben: Behälter der Küchenmaschine und Deckel, Mahlwerk, Mixbehälter und Deckel, Behälter der Küchenmaschine und Zitruspresse.

VERWENDUNG DES MESSERS

Es sind zwei Messer vorhanden (eines mit Edelstahlklinge und eines mit Kunststoffklinge).

1. Das Gerät in der folgenden Reihenfolge zusammensetzen.
2. Der Küchenmaschinenbehälter in Schritt 2 und der Deckel in Schritt 5 müssen gut befestigt sein, sonst wird das Gerät nicht starten.
3. In Schritt 3 kann das gewünschte Messer - mit Edelstahlklinge oder Kunststoffklinge - ausgewählt werden. Das Messer muss fest auf der Welle angebracht werden.
4. Nach dem Betrieb kann das Gerät in umgekehrter Reihenfolge und Richtung auseinandergenommen werden.
5. Den Deckel erst öffnen, wenn das Messer vollständig stillsteht.



Messer mit Edelstahl Klinge:

- Schneiden Sie die Lebensmittel vor der Verarbeitung in kleine Stücke, z. B. 2 x 2 x 6 cm für Rindfleisch. Legen Sie die vorbereiteten Lebensmittel in den Behälter.
- Während des Zerkleinerns können Sie die Lebensmittel mit dem Stopfer durch das Befüllrohr hinzufügen, wobei Sie die Lebensmittel niemals mit anderen Lebensmitteln oder den Fingern nach unten drücken dürfen.
- Um das beste Verarbeitungsergebnis zu erhalten: **Pulse-Stufe verwenden.**
 - **Harte Lebensmittel:** Trockenfrüchte und Gemüse wie Karotten, Sellerie, usw.
 - **Weiche Lebensmittel:** Gemüse wie Zwiebeln, Spinat, usw.
 - **Rohes und gekochtes Fleisch** (entbeint und in Scheiben geschnitten)

Achtung: Die Gesamtbetriebszeit sollte nicht mehr als 90 Sekunden betragen. Die Höchstmenge an Lebensmitteln beträgt 400 g.

- Die maximale Betriebszeit pro Zyklus darf 30 Sekunden nicht überschreiten und zwischen zwei aufeinanderfolgenden Zyklen müssen mindestens 2 Minuten Ruhezeit eingehalten werden. Nach drei Betriebszyklen muss eine Ruhezeit von mindestens 30 Minuten eingehalten werden, damit das Gerät abkühlen kann.

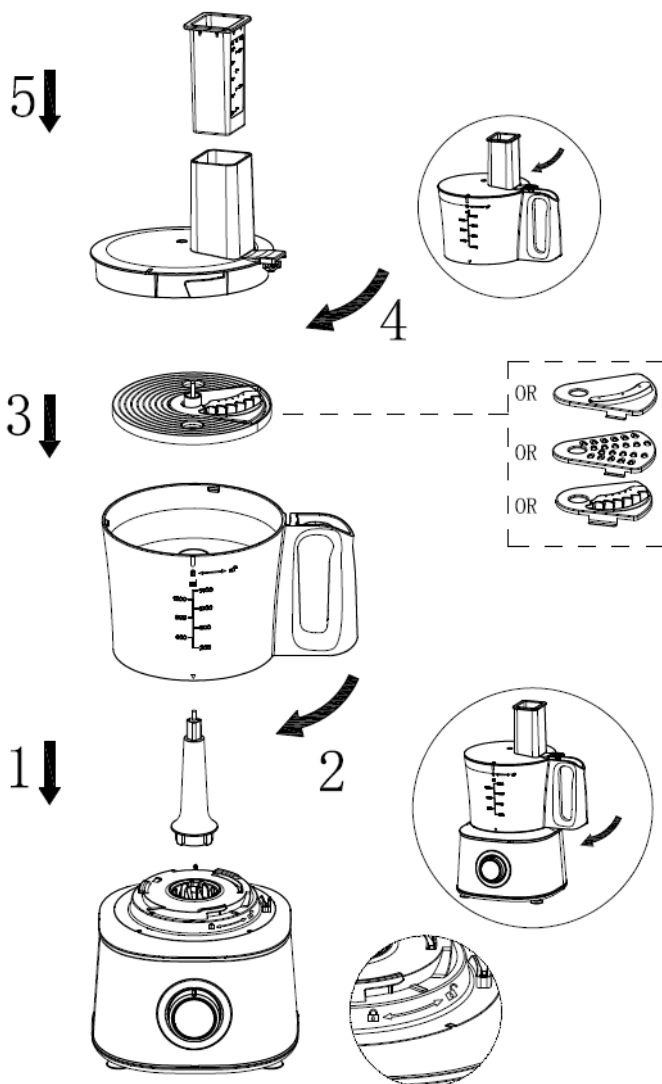
Messer mit Kunststoff Klinge:

- Mehl in den Behälter geben. Die Höchstmenge an Mehl beträgt 375 g.
- Fügen Sie einen Esslöffel Öl über das Befüllrohr hinzu. Drehen Sie den Bedienknopf auf Position „2“. Dann fügen Sie innerhalb von 20 Sekunden langsam Wasser über das Befüllrohr hinzu. Die Höchstmenge an Wasser beträgt 225 g.
- Hinweis: Das Verhältnis von Mehl und Wasser beträgt 5:3. Mehl und Wasser dürfen 600 g nicht überschreiten.

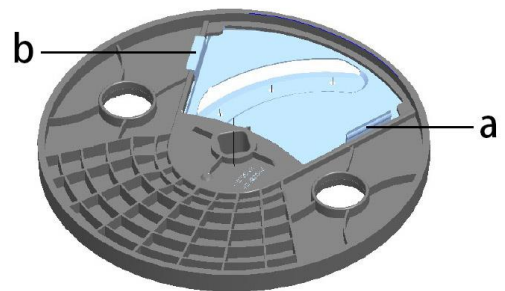
- Fügen Sie etwas mehr Wasser hinzu, wenn sich die Verarbeitungsgeschwindigkeit während des Betriebs verlangsamt, damit der Motor gleichmäßig läuft, sonst kann der Motor beschädigt werden. Drücken Sie während des Knetens/Mixens mit einer Hand auf den Deckel und mit der anderen Hand halten Sie den Griff, um ein Schütteln des Behälters zu vermeiden.
- Schalten Sie das Gerät aus, sobald der Teig beginnt, eine Kugel zu bilden.
- Ziehen Sie den Stecker aus der Steckdose, nehmen Sie den Deckel ab und entfernen Sie zuerst das Kunststoffmesser und dann den Teig.
- Die maximale Betriebszeit pro Zyklus darf 90 Sekunden nicht überschreiten und zwischen zwei aufeinanderfolgenden Zyklen müssen mindestens 2 Minuten Ruhezeit eingehalten werden. Nach drei Betriebszyklen muss eine Ruhezeit von mindestens 30 Minuten eingehalten werden, damit das Gerät abkühlen kann.

VERWENDUNG DER SCHEIBE ALS KLINGENHALTERUNG

1. Das Gerät in der nachfolgenden Reihenfolge zusammensetzen.
2. Der Küchenmaschinenbehälter in Schritt 2 und der Deckel in Schritt 4 müssen gut befestigt sein, sonst wird das Gerät nicht starten.
3. In Schritt 3 die gewünschte Schneidscheibe auswählen: Schneidmesser, Zerkleinerungsmesser oder Häckselmesser. Achten Sie darauf, dass die Klängen gut in der Scheibe befestigt werden.
4. Nach dem Betrieb kann das Gerät in umgekehrter Reihenfolge und Richtung auseinandergenommen werden.
5. Bei der Handhabung der Schneidscheiben ist Vorsicht geboten, da sie sehr scharf sind.
6. Den Deckel erst öffnen, wenn die Schneidscheibe komplett zum Stillstand gekommen ist.



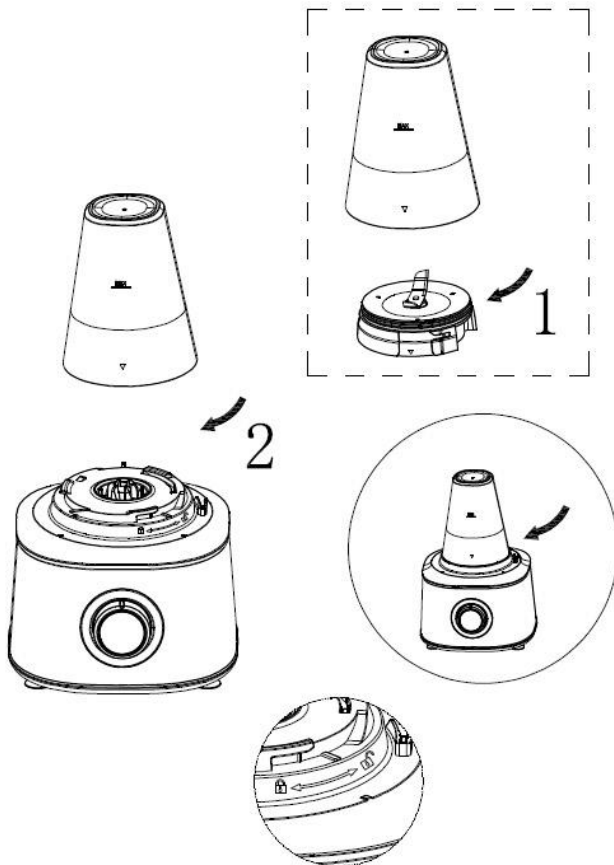
Um die Klinge von der Scheibe zu entfernen, drücken Sie das Teil (a) langsam nach innen, um die Klinge nach unten zu drücken. Um die Klinge in die Scheibe einzusetzen, befestigen Sie zuerst das Teil (b) an der Scheibe und schieben Sie dann die Klinge hinein. Bei der Handhabung der Schneidscheiben ist Vorsicht geboten, da sie sehr scharf sind.



- Bitte die Füllstandmarkierung des Behälters beachten. Wenn die Lebensmittel die max. Füllstandlinie am Behälter erreichen, den Vorgang unterbrechen und Lebensmittel aus dem Behälter kippen.
- Einschalten und gleichmäßig mit dem Schieber nach unten drücken - niemals die Finger in den Einfüllschacht stecken. Sie können bis zu 500 g Lebensmittel wie z. B. dicke Kartoffeln, Zwiebeln, dünne Gurken, Äpfel, Karotten usw. schneiden/zerkleinern/hacken.
- Um das beste Ergebnis zu erhalten: **niedrige oder hohe Geschwindigkeitsstufe verwenden.**
- Die maximale Betriebszeit pro Zyklus darf 60 Sekunden nicht überschreiten und zwischen zwei aufeinanderfolgenden Zyklen müssen mindestens 2 Minuten Ruhezeit eingehalten werden. Nach drei Betriebszyklen muss eine Ruhezeit von mindestens 30 Minuten eingehalten werden, damit das Gerät abkühlen kann.

VERWENDUNG DES MAHLWERKS

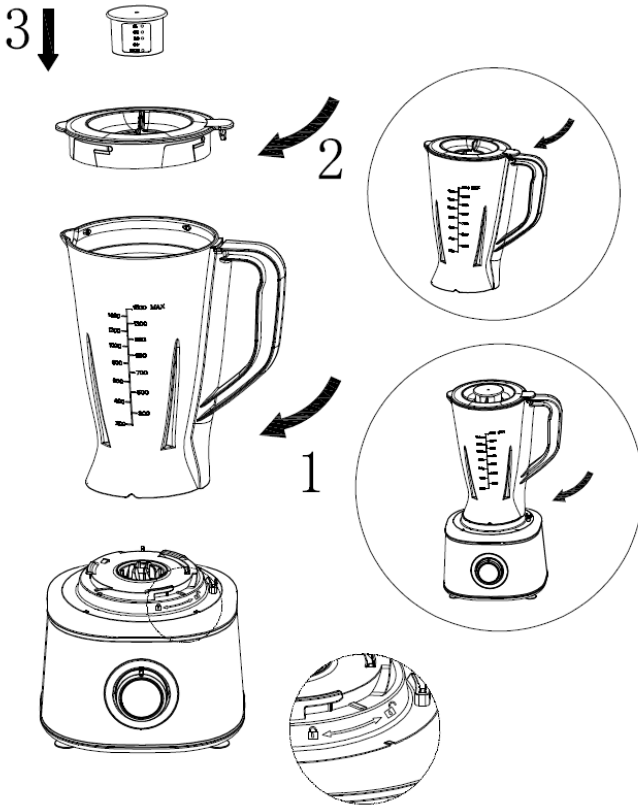
1. Das Gerät in der nachfolgenden Reihenfolge zusammensetzen.
2. In Schritt 2 sicherstellen, dass der Mahlbecher sicher befestigt ist, sonst wird das Gerät nicht funktionieren.
3. Nach dem Betrieb kann das Gerät in umgekehrter Reihenfolge und Richtung auseinandergenommen werden.
4. Das Mahlwerk nur von dem Gerät entfernen, wenn das Messer vollständig zum Stillstand gekommen ist.



- Zum Mahlen von Kaffeebohnen, Mandeln und ähnlichen Lebensmitteln verwenden. Achten Sie darauf, dass Sie die Zutaten nicht über dem auf dem Mahlwerk angegebene MAX-Füllmenge hinaus einfüllen. Die maximale Füllmenge beträgt 100 g. **Hinweis:** Nicht zum Pürieren von Fleisch verwenden.
- Um das beste Ergebnis zu erhalten: **Pulse-Stufe verwenden.**
- Die maximale Betriebszeit pro Zyklus darf 60 Sekunden nicht überschreiten und zwischen zwei aufeinanderfolgenden Zyklen müssen mindestens 2 Minuten Ruhezeit eingehalten werden. Nach drei Betriebszyklen muss eine Ruhezeit von mindestens 30 Minuten eingehalten werden, damit das Gerät abkühlen kann.

VERWENDUNG DES MIXERS

1. Das Gerät in der nachfolgenden Reihenfolge zusammensetzen.
2. Der Mixerbehälter und Deckel in Schritt 1 und Schritt 2 müssen sicher befestigt sein, sonst wird das Gerät nicht starten.
3. Nach dem Betrieb kann das Gerät in umgekehrter Reihenfolge und Richtung auseinandergenommen werden.
4. Bei der Handhabung des Edelstahlmessers Vorsicht walten lassen, da es sehr scharf ist.
5. Den Deckel erst öffnen, wenn das Messer komplett zum Stillstand gekommen ist.



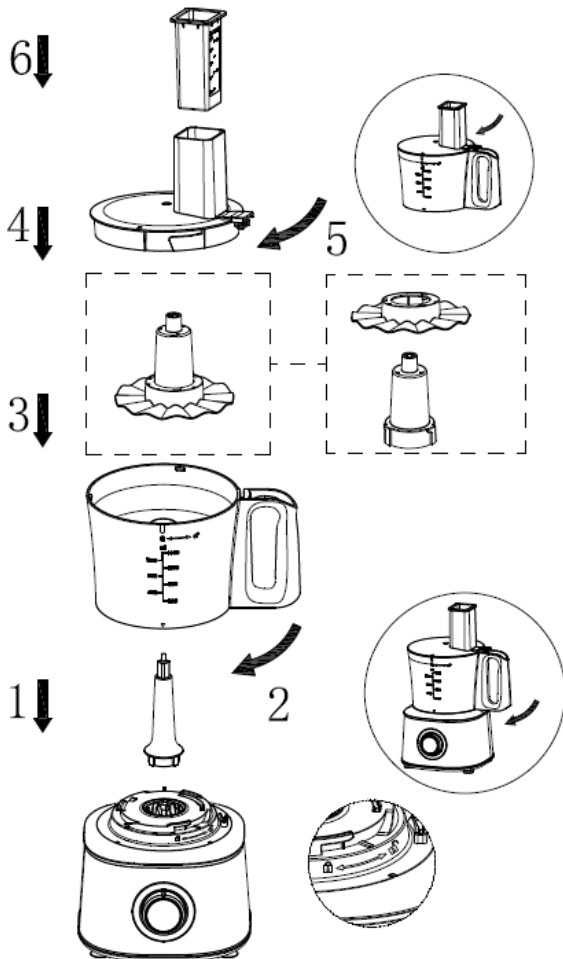
- Schälen oder entkernen Sie das Obst oder Gemüse und schneiden Sie es dann in kleine Würfel. Geben Sie die Stückchen dann in den Behälter. Normalerweise muss eine bestimmte Menge an gereinigtem Wasser hinzugefügt werden, um den reibungslosen Betrieb des Geräts zu gewährleisten. Die Menge der Masse sollte die auf dem Mixbehälter angegebene Höchstmenge nicht überschreiten.

Hinweis: Verwenden Sie niemals kochende Flüssigkeiten und lassen Sie das Gerät nicht leer laufen. Der Mixbehälter kann nicht zum Mixen von Fleisch verwendet werden.

- Den Deckel niemals öffnen, wenn das Messer noch rotiert. Als zusätzliche Sicherheitsvorkehrung kann der Netzstecker des Geräts vor dem Öffnen des Deckels aus der Steckdose gezogen werden.
- Um während der Verarbeitung von Lebensmitteln Flüssigkeiten hinzuzufügen, den Messbecher aus dem Deckel entfernen und die Flüssigkeit durch die Deckelöffnung gießen.
- Feste Zutaten vor der Verarbeitung in kleinere Stücke schneiden.
- Große Mengen in kleineren Portionen verarbeiten anstatt eine große Menge in einem Durchgang.
- Für die Zubereitung von Suppen gegarte Lebensmittel verwenden.
- Wenn eine Flüssigkeit heiß ist oder schnell schäumt (z. B. Milch), nicht mehr als 1 Liter in den Mixerbehälter geben, um zu verhindern, dass die Flüssigkeit überläuft.
- Wenn das Ergebnis nicht zufriedenstellend ist, das Gerät ausschalten und die Zutaten mit einem Schaber umrühren.
- Um das beste Ergebnis zu erhalten: **hohe Geschwindigkeits- oder Pulse-Stufe verwenden.**
- Die maximale Betriebszeit pro Zyklus darf 120 Sekunden nicht überschreiten und zwischen zwei aufeinanderfolgenden Zyklen müssen mindestens 2 Minuten Ruhezeit eingehalten werden. Nach drei Betriebszyklen muss eine Ruhezeit von mindestens 30 Minuten eingehalten werden, damit das Gerät abkühlen kann.

VERWENDUNG DER QUIRLSCHEIBE

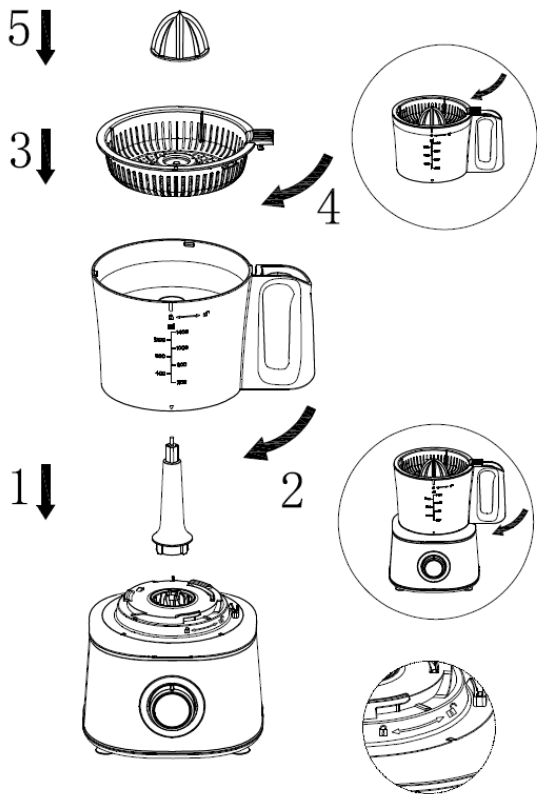
1. Das Gerät in der nachfolgenden Reihenfolge zusammensetzen.
2. Der Küchenmaschinenbehälter in Schritt 2 und der Deckel in Schritt 5 müssen sicher befestigt sein, sonst wird das Gerät nicht starten.
3. Nach dem Betrieb kann das Gerät in umgekehrter Reihenfolge und Richtung auseinandergenommen werden.
4. Die Scheibe nur von dem Gerät entfernen, wenn sie vollständig zum Stillstand gekommen ist.



- Zum Steifschlagen von Eiweiß (bis zu 3 Eiweiß) verwenden Sie bitte Eier, die Zimmertemperatur haben. Achten Sie darauf, dass der Behälter und die Quirlscheibe trocken und fettfrei sind.
- Um das beste Ergebnis zu erhalten: **hohe Geschwindigkeitsstufe verwenden.**
- Verwenden Sie diese Scheibe niemals zum Kneten von Teig oder zum Anrühren von Backmischungen.
- Die maximale Betriebszeit pro Zyklus darf 120 Sekunden nicht überschreiten und zwischen zwei aufeinanderfolgenden Zyklen müssen mindestens 2 Minuten Ruhezeit eingehalten werden. Nach drei Betriebszyklen muss eine Ruhezeit von mindestens 30 Minuten eingehalten werden, damit das Gerät abkühlen kann.

VERWENDUNG DER ZITRUSPRESSE

1. Das Gerät in der nachfolgenden Reihenfolge zusammensetzen.
2. Der Küchenmaschinenbehälter in Schritt 2 und die Zitruspresse in Schritt 4 müssen sicher befestigt sein, sonst wird das Gerät nicht starten.
3. Nach dem Betrieb kann das Gerät in umgekehrter Reihenfolge und Richtung auseinandergenommen werden.
4. Die Zitruspresse nur von dem Gerät entfernen, wenn es vollständig zum Stillstand gekommen ist.





















- Mit der Zitruspresse kann der Saft aus Zitrusfrüchten (z. B. Orangen) ausgepresst werden.
- Um das beste Ergebnis zu erzielen, die Orange nicht nur senkrecht pressen, sondern auch von der linken und rechten Seite.
- Um das beste Ergebnis zu erhalten: **niedrige Geschwindigkeitsstufe verwenden.**
- Die maximale Betriebszeit pro Zyklus darf 120 Sekunden nicht überschreiten und zwischen zwei aufeinanderfolgenden Zyklen müssen mindestens 2 Minuten Ruhezeit eingehalten werden. Nach drei Betriebszyklen muss eine Ruhezeit von mindestens 30 Minuten eingehalten werden, damit das Gerät abkühlen kann.

REINIGUNG UND PFLEGE

- Trennen Sie das Gerät vor der Reinigung von der Stromversorgung.
- Zerlegen des Geräts. Achten Sie darauf, dass die Schneide nicht mit harten Gegenständen in Kontakt kommt. Dies stumpft die Klinge ab. Die Klingen sind scharf. Gehen Sie bei der Reinigung vorsichtig vor.
- Wischen Sie die Haupteinheit mit einem feuchten Tuch ab. Tauchen Sie das Gerät niemals in Wasser ein, da es sonst zu einem Stromschlag kommen kann. Anschließend gründlich abtrocknen. Achten Sie darauf, dass der Verriegelungsbereich frei von Speiseresten ist.
- Die anderen Teile in Seifenwasser (<60°C) abwaschen. Spülen und abtrocknen.
- Mit Ausnahme der Haupteinheit können alle anderen Teile in einer Geschirrspülmaschine mit einer Wassertemperatur unter 60°C für maximal 45 Minuten gereinigt werden.
- Lagern Sie das Produkt an einem trockenen Ort.

Hinweis:

- Einige Lebensmittel können die Scheibe (zum Schneiden / Zerkleinern / Hacken) verfärben. Das ist normal und schadet weder dem Kunststoff noch beeinträchtigt es den Geschmack der Lebensmittel. Mit einem in Pflanzenöl getränktem Tuch abreiben, um Verfärbungen zu entfernen.
- Für eine schnelle Reinigung nach dem Zerkleinern / Mixen können Sie etwas Wasser in den Behälter der Küchenmaschine / des Mixbehälters gießen und dann den Bedientopf einige Sekunden lang auf Position „P“ drehen und halten.

							
	✓	✓	✗		✓	✓	✓
	✓	✓	✗		✓	✓	✓
	✓	✓	✓		✓	✓	✗
	✓	✓	✗		✓	✓	✓
	✓	✓	✗		✓	✓	✗
	✗	✗	✓		✓	✓	✓

TECHNISCHE DATEN

Betriebsspannung: 220-240V ~ 50-60Hz

Leistung: 1000W

GEWÄHRLEISTUNG UND KUNDENSERVICE

Vor der Lieferung werden unsere Geräte einer strengen Qualitätskontrolle unterzogen. Wenn, trotz aller Sorgfalt, während der Produktion oder dem Transport Beschädigungen aufgetreten sind, senden Sie das Gerät zurück an den Händler.

Wir bieten eine 2-Jahres-Gewährleistung für das erworbene Gerät, beginnend am Tag des Verkaufs. Wenn Sie ein defektes Produkt haben, nehmen Sie bitte direkt Kontakt mit dem Verkäufer auf.

Defekte, die aufgrund von unangemessenem Umgang mit dem Gerät entstehen und Störungen aufgrund von Eingriffen und Reparaturen Dritter oder das Montieren von nicht-Originalteilen werden nicht von dieser Gewährleistung abgedeckt. Die Quittung immer aufbewahren, ohne Quittung wird jegliche Gewährleistung ausgeschlossen. Bei Schäden durch Nichteinhalten der Bedienungsanleitung erlischt die Gewährleistung, Wir sind für daraus resultierende Folgeschäden nicht haftbar. Für Materialschäden oder Verletzungen aufgrund falscher Anwendung oder Nichtbefolgen der Sicherheitshinweise sind wir nicht haftbar. Schäden an den Zubehörteilen bedeutet nicht, dass das gesamte Gerät kostenlos ausgetauscht wird. In diesem Fall kontaktieren Sie unseren Kundendienst. Zerbrochenes Glas oder Kunststoffteile sind immer kostenpflichtig. Schäden an Verbrauchsmaterialien oder Verschleißteilen, sowie Reinigung, Wartung oder Austausch der besagten Teile werden durch die Gewährleistung nicht abgedeckt und sind deshalb kostenpflichtig.



Das nebenstehende Symbol einer durchgestrichenen Mülltonne auf Rädern zeigt an, dass dieses Gerät der Richtlinie 2012/19/EU unterliegt. Diese Richtlinie besagt, dass Sie dieses Gerät am Ende seiner Nutzungszeit nicht mit dem normalen Haushaltsmüll entsorgen dürfen, sondern in speziell eingerichteten Sammelstellen, Wertstoffhöfen oder Entsorgungsbetrieben abgeben müssen. Diese Entsorgung ist für Sie kostenfrei. Schonen Sie die Umwelt und entsorgen Sie fachgerecht.

Beim Kauf eines Neugerätes haben Sie das Recht, das entsprechende Altgerät an Ihren Händler zurückzugeben. Händler von Elektro- und Elektronikgeräten mit einer Verkaufsfläche von mindestens 400 qm sowie Lebensmittelhändler mit einer Verkaufsfläche von mindestens 800 qm, die regelmäßig Elektro- und Elektronikgeräte verkaufen, sind außerdem verpflichtet, Altgeräte unentgeltlich zurückzunehmen, auch ohne

dass ein Neugerät gekauft wird, wenn die Altgeräte in keiner Abmessung größer sind als 25 cm. Der Händler bietet Ihnen Rücknahmemöglichkeiten direkt in den Filialen und Märkten an. Informieren Sie sich auch bei Ihrem Händler über die Rücknahmemöglichkeiten vor Ort.

Sofern Ihr Altgerät personenbezogene Daten enthält, sind Sie selbst für deren Löschung verantwortlich, bevor Sie es zurückgeben. Sofern dies ohne Zerstörung des Altgerätes möglich ist, entnehmen Sie die alten Batterien oder Akkus sowie Lampen bevor Sie das Altgerät zur Entsorgung zurückgeben und führen Sie sie einer separaten Sammlung zu. Bei fest eingebauten Akkus ist bei der Entsorgung darauf hinzuweisen, dass das Gerät einen Akku enthält. Weitere Möglichkeiten zur Entsorgung des ausgedienten Produkts erfahren Sie bei Ihrer Gemeinde- oder Stadtverwaltung.

Hersteller: Emerio B.V.

Oudeweg 115, 2031 CC Haarlem, The Netherlands

Mode d'emploi – French

CONSIGNES DE SÉCURITÉ

Avant d'utiliser l'appareil, lisez toutes les consignes suivantes pour éviter des blessures et des dommages, et pour optimiser les performances de votre appareil. Conservez cette notice d'utilisation dans un endroit sûr. Si vous donnez ou transférez cet appareil à un tiers, veillez à lui remettre également cette notice d'utilisation.

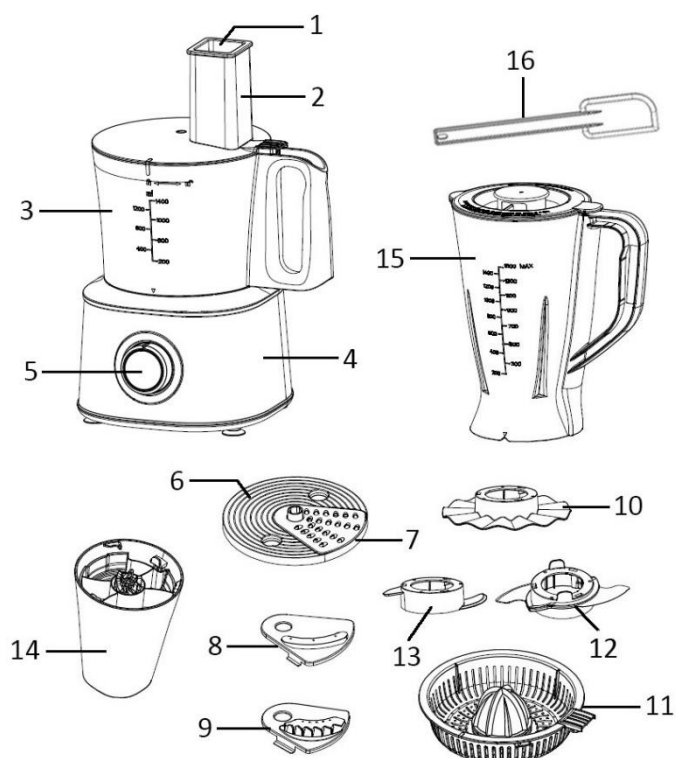
En cas de détérioration due au non-respect par l'utilisateur des instructions de cette notice d'utilisation, la garantie est annulée. Le fabricant/importateur rejette toute responsabilité en cas de dommages dus au non-respect des instructions de la notice d'utilisation, à un usage négligent ou à l'usage non conforme aux exigences de cette notice d'utilisation.

1. MISE EN GARDE: Risques de blessures en cas de mauvaise utilisation.
2. Toujours déconnecter l'appareil de l'alimentation si on le laisse sans surveillance et avant montage, démontage ou nettoyage.
3. Cet appareil ne doit pas être utilisé par les enfants. Conserver l'appareil et son câble hors de portée des enfants.
4. Cet appareil peut être utilisé par des personnes dont les capacités physiques, sensorielles ou mentales sont réduites ou dont l'expérience ou les connaissances ne sont pas suffisantes, à condition qu'ils bénéficient d'une surveillance ou qu'ils aient reçu des instructions quant à l'utilisation de l'appareil en toute sécurité et dans la mesure où ils en comprennent bien les dangers potentiels.
5. Les enfants ne doivent pas utiliser l'appareil comme un jouet.
6. Si le câble d'alimentation est endommagé, il doit être remplacé par le fabricant, son service après vente ou des personnes de qualification similaire afin d'éviter un danger.
7. Mettre l'appareil à l'arrêt et le déconnecter de l'alimentation avant de changer les accessoires ou d'approcher les parties qui sont mobiles lors du fonctionnement.
8. Des précautions doivent être prises lors de la manipulation des couteaux affûtés, lorsqu'on vide le bol et lors du nettoyage.
9. Faire preuve de vigilance si un liquide chaud est versé dans le préparateur culinaire dans la mesure où il peut être éjecté de l'appareil en raison d'une ébullition soudaine.
10. Avant d'insérer la fiche de l'appareil dans une prise secteur, vérifiez que la tension et la fréquence du secteur correspondent aux spécifications indiquées sur la plaque signalétique.
11. Si vous utilisez une rallonge électrique, elle doit être appropriée à la puissance consommée par l'appareil, sinon la rallonge et/ou la fiche risquent de chauffer excessivement. Il existe un risque potentiel de blessures par trébuchement sur le cordon électrique. Prenez vos précautions pour éviter toute situation dangereuse.
12. Débranchez la fiche électrique de la prise électrique quand l'appareil n'est pas utilisé et avant de le nettoyer.
13. Veillez à ce que le cordon d'alimentation ne pende pas sur des arêtes coupantes et maintenez-le éloigné des objets chauds et des flammes nues.
14. N'immergez jamais l'appareil ou sa fiche dans de l'eau ni dans aucun autre liquide. Cela peut provoquer un choc électrique !
15. Pour débrancher la fiche de la prise, saisissez la fiche et tirez-la hors de la prise. Ne tirez pas sur le cordon d'alimentation.
16. Ne touchez pas l'appareil s'il tombe dans de l'eau. Débranchez la fiche de la prise électrique, éteignez l'appareil et rappez-le au centre de réparation agréé pour le faire réparer.
17. Ne branchez pas et ne débranchez pas l'appareil de la prise électrique avec les mains mouillées.
18. N'essayez pas d'ouvrir le boîtier de l'appareil ni de réparer l'appareil vous-même. Cela peut provoquer un choc électrique.
19. Les enfants ne sont pas capables d'identifier les dangers associés à la manipulation incorrecte des appareils électriques. Par conséquent, ne laissez jamais les enfants utiliser des appareils électroménagers sans surveillance.

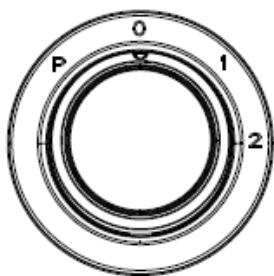
20. Ne laissez jamais l'appareil sans surveillance quand il est en fonctionnement.
21. Cet appareil n'est pas conçu pour un usage commercial. Cet appareil est conçu uniquement pour un usage domestique. N'utilisez pas ce produit à l'extérieur.
22. N'utilisez pas cet appareil à un usage autre que celui pour lequel il a été conçu.
23. N'enroulez pas le cordon d'alimentation autour de l'appareil et ne le pliez pas.
24. L'utilisation d'accessoires non recommandés par le fabricant de l'appareil peut provoquer des blessures.
25. N'interférez pas avec les interrupteurs de sécurité.
26. Attendez que les pièces mobiles cessent de fonctionner avant de retirer le couvercle de l'appareil.
27. Gardez les mains et les ustensiles éloignés des lames ou des disques en mouvement pendant le traitement des aliments afin d'éviter les risques de blessures graves ou de dommages à l'appareil. Un grattoir ou une spatule peuvent être utilisés, mais uniquement lorsque l'appareil n'est pas en marche.
28. Évitez tout contact avec les pièces mobiles.
29. N'insérez jamais les aliments à la main. Utilisez toujours le poussoir.
30. N'utilisez pas vos doigts pour racler les aliments d'un accessoire lorsque l'appareil est en marche. Vous risqueriez de vous blesser en vous coupant.
31. Assurez-vous que le couvercle est bien verrouillé avant d'utiliser l'appareil.
32. Veillez à éteindre l'appareil après chaque utilisation. Assurez-vous que le moteur s'arrête complètement avant de le démonter.
33. Ne mettez pas vos doigts ou tout autre objet dans la cheminée de remplissage pendant le fonctionnement. Si des aliments se bloquent dans la cheminée, utilisez le poussoir pour aliments pour les pousser vers le bas. Si cette méthode n'est pas possible, éteignez l'appareil et démontez-le pour retirer les aliments restants.
34. Les lames métalliques sont extrêmement tranchantes ; manipulez-les avec précaution. Tenez toujours l'ensemble des lames par la poignée ou la tige, loin du bord tranchant, lors de la manipulation et du nettoyage.
35. Pour réduire le risque de blessure, ne placez jamais la lame de traitement sur l'arbre d'entraînement sans que le bol de traitement ne soit correctement verrouillé en place.
36. Pour en savoir plus sur comment nettoyer des surfaces en contact avec des aliments, sur les réglages de vitesse et de durée de fonctionnement, reportez-vous au paragraphe correspondant ci-après de ce mode d'emploi.

DESCRIPTION DES COMPOSANTS

1. Poussoir
2. Cheminée de remplissage
3. Carafe du robot
4. Unité principale
5. Bouton de contrôle
6. Disque pour maintenir la lame
7. Lame à découper
8. Lame à trancher
9. Lame à déchiqueter
10. Disque à fouetter
11. Presse-agrumes
12. Lame de couteau en acier inoxydable
13. Lame de couteau en plastique
14. Moulin
15. Bol du mixeur
16. Spatule



Bouton de contrôle



P = Vitesse d'impulsion

0 = Arrêt

1 = Faible vitesse

2 = Vitesse élevée

AVANT LA PREMIÈRE UTILISATION

Avant la première utilisation, déballez soigneusement le robot et ses accessoires et retirez tout matériau d'emballage, étiquette ou autocollant. Nettoyez l'appareil conformément aux instructions de la section « NETTOYAGE ET ENTRETIEN ». Manipulez les lames avec une extrême prudence car elles sont tranchantes. L'appareil peut être utilisé pour hacher la viande ou les légumes et les fruits, pétrir, battre et fouetter, râper, trancher et couper en morceaux les légumes ou les pommes de terre, mixer la soupe, les sauces, les crèmes, les purées de fruits, le lait et ainsi de suite, en utilisant différents accessoires pour effectuer différentes tâches.

MODE D'EMPLOI

- Avant de traiter les ingrédients, veuillez les laisser refroidir à la température ambiante.
- Avant l'utilisation, assemblez votre appareil en suivant les schémas ci-dessous.
- Après avoir assemblé l'appareil et ajouté les ingrédients, branchez la fiche d'alimentation à une prise d'alimentation électrique. Tournez le bouton de contrôle dans le sens des aiguilles d'une montre pour choisir la vitesse souhaitée.

Vitesse par impulsions : tournez le bouton de contrôle dans le sens inverse des aiguilles d'une montre et maintenez-le enfoncé pour obtenir la vitesse par impulsions - une vitesse plus rapide. Relâchez le bouton pour éteindre l'appareil.

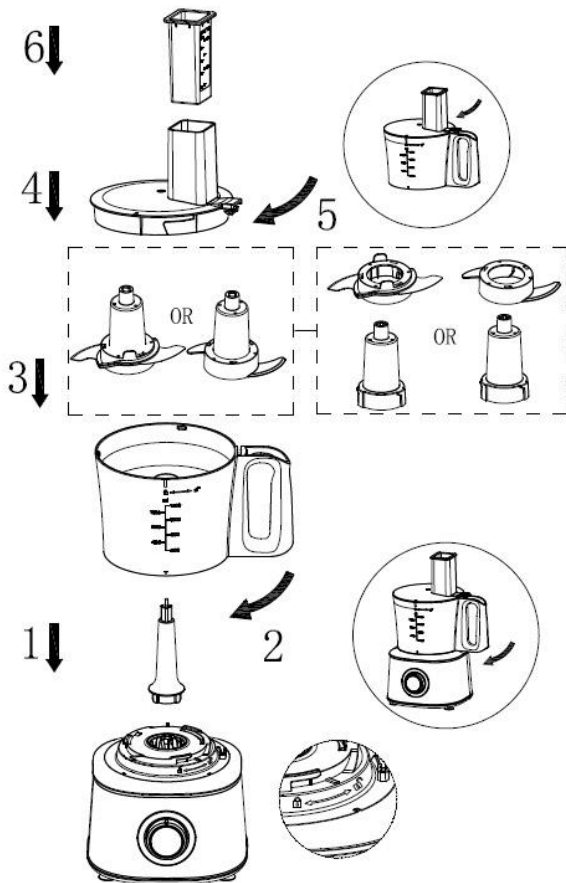
- Débranchez l'appareil après l'utilisation.

REMARQUE : L'appareil est équipé d'un interrupteur de sécurité. Vous ne pouvez mettre l'appareil en marche qu'après avoir correctement assemblé l'une des pièces suivantes sur l'unité principale : le bol du robot et son couvercle ; le moulin ; le bol du mixeur et son couvercle ; le bol du robot et le presse-agrumes.

UTILISATION DE LA LAME DE COUTEAU

Il y a deux lames de couteau (lame de couteau en acier inoxydable et lame de couteau en plastique).

1. Assemblez l'appareil dans l'ordre suivant.
2. Assurez-vous que le bol du robot (étape 2) et le couvercle (étape 5) sont bien verrouillés, sinon l'appareil ne fonctionnera pas.
3. À l'étape 3, vous pouvez choisir la lame de couteau de votre choix : lame de couteau en acier inoxydable ou lame en plastique. Veillez à bien la fixer sur l'arbre.
4. Après le fonctionnement, vous pouvez démonter l'appareil en suivant les étapes d'assemblage en sens inverse.
5. N'ouvrez le couvercle que lorsque la lame est complètement arrêtée.



Lame de couteau en acier inoxydable :

- Avant le traitement, coupez les aliments en petits morceaux comme 2 cm x 2 cm x 6 cm pour le bœuf. Placez les aliments préparés dans le bol.
- Pendant le hachage, vous pouvez ajouter des aliments par la cheminée de remplissage à l'aide du poussoir, sans jamais utiliser les aliments ou le doigt pour pousser les aliments vers le bas.
- Pour obtenir le meilleur résultat de traitement : **utilisez la vitesse par impulsions**
 - **Substance dure** : les fruits secs et les légumes comme les carottes, le céleri, etc.
 - **Substance molle** : les légumes comme les oignons, les épinards, etc.
 - **Viande crue et cuite** (désossée et tranchée)

Attention : la durée totale de fonctionnement ne doit pas dépasser 90 secondes. La quantité maximale d'aliments est de 400 g.

- La durée de fonctionnement maximale par cycle ne doit pas dépasser 30 secondes et un temps de pause minimum de 2 minutes doit être maintenu entre deux cycles consécutifs. Un temps de pause d'au moins 30 minutes doit être maintenu pour permettre à l'appareil de refroidir après trois cycles de fonctionnement.

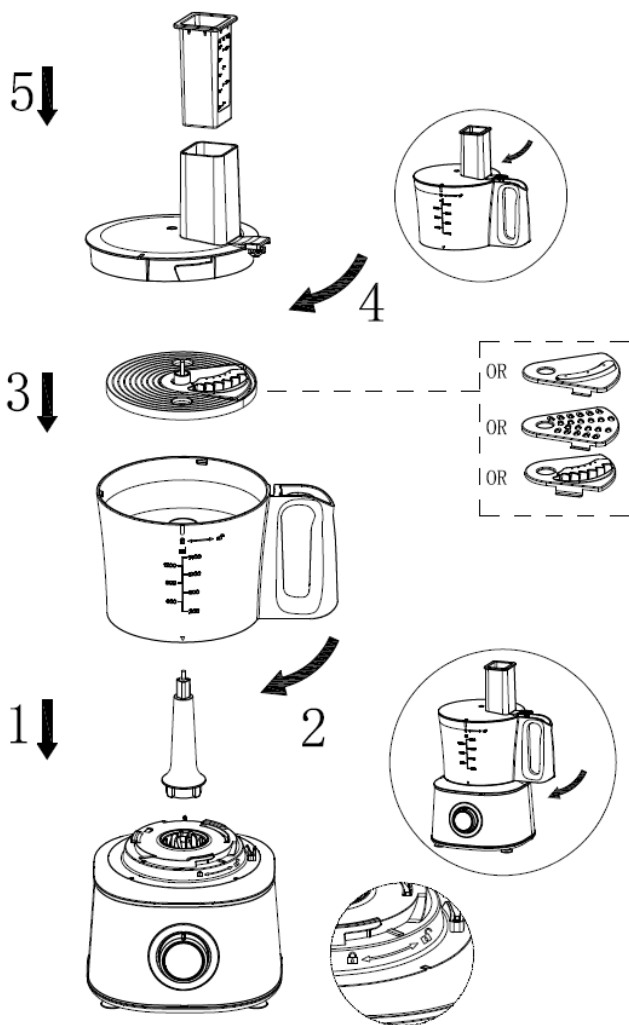
Lame de couteau en plastique :

- Mettez la farine dans le bol. La quantité maximale de farine est de 375 g.
- Ajoutez une cuillère à soupe d'huile dans l'appareil par la cheminée de remplissage. Tournez le bouton de contrôle sur la position « 2 ». Ajoutez ensuite lentement de l'eau par la cheminée de remplissage en l'espace de 20 secondes. La quantité maximale d'eau est de 225 g.
- Remarque : La proportion de farine et d'eau est de 5:3 ; la quantité de farine et d'eau ne doit pas dépasser 600 g.
- Ajoutez de l'eau si la vitesse de traitement ralentit pendant le fonctionnement afin que le moteur fonctionne en douceur, sinon le moteur risque d'être endommagé. Pendant le pétrissage / mélange, pour éviter les secousses, appuyez sur le couvercle d'une main et tenez la poignée de l'autre.

- Éteignez l'appareil dès que la pâte commence à former une boule.
- Débranchez l'appareil, retirez le couvercle, retirez d'abord la lame de couteau en plastique, puis retirez la pâte.
- La durée maximale de fonctionnement par cycle ne doit pas dépasser 90 secondes et un minimum de 2 minutes de temps de pause doit être maintenu entre deux cycles consécutifs. Un temps de pause d'au moins 30 minutes doit être maintenu pour permettre à l'appareil de refroidir après trois cycles de fonctionnement.

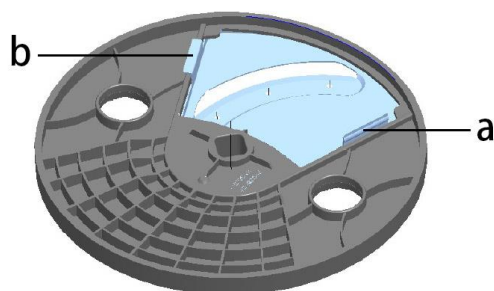
UTILISATION DU DISQUE POUR MAINTENIR LA LAME

1. Assemblez l'appareil dans l'ordre suivant.
2. Assurez-vous que le bol du robot (étape 2) et le couvercle (étape 4) sont bien verrouillés, sinon l'appareil ne fonctionnera pas.
3. À l'étape 3, vous pouvez choisir la lame de votre choix : lame à trancher, lame à découper ou lame à déchiqueter. Veillez à bien fixer la lame dans le disque.
4. Après le fonctionnement, vous pouvez démonter l'appareil en suivant les étapes d'assemblage en sens inverse.
5. Faites toujours attention lorsque vous manipulez les lames car elles sont très tranchantes.
6. N'ouvrez le couvercle que lorsque les lames sont complètement arrêtées.



Pour retirer la lame du disque, appuyez lentement sur la partie (a) pour pousser la lame vers le bas. Pour insérer la lame dans le disque, fixez d'abord la partie (b) sur le disque, puis insérez la lame.

Faites toujours attention lorsque vous manipulez les lames car elles sont très tranchantes.

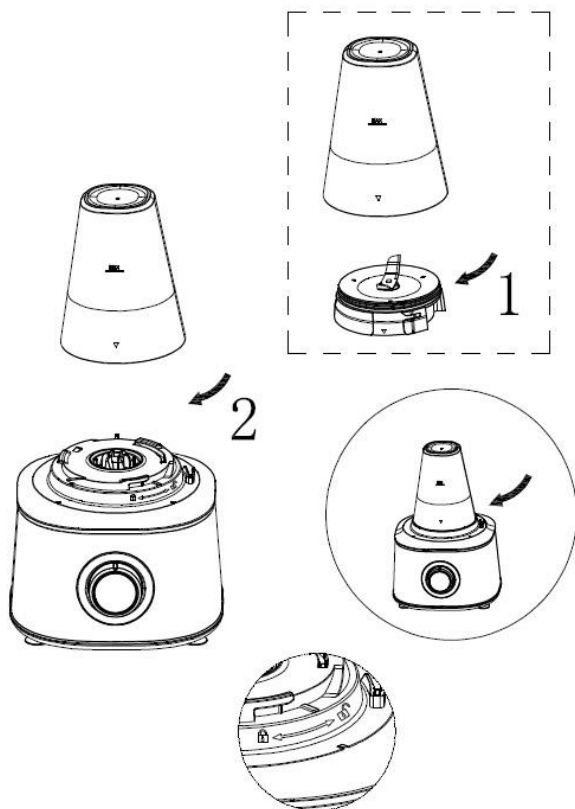


- Veuillez faire attention à la ligne de capacité du récipient. Une fois que les aliments approchent de la ligne max du bol, veuillez arrêter le fonctionnement et déverser les aliments.
- Mettez l'appareil en marche et appuyez uniformément avec le poussoir - ne mettez jamais vos doigts dans le tube d'alimentation. Vous pouvez trancher /émincer / râper jusqu'à 500 g d'aliments comme des pommes de terre épaisses, des oignons, des concombres fins, des pommes, des carottes, etc.

- Pour obtenir le meilleur résultat de traitement : **utilisez la vitesse faible ou la vitesse élevée**
- La durée de fonctionnement maximale par cycle ne doit pas dépasser 60 secondes et un temps de pause minimum de 2 minutes doit être maintenu entre deux cycles consécutifs. Un temps de pause d'au moins 30 minutes doit être maintenu pour permettre à l'appareil de refroidir après trois cycles de fonctionnement.

UTILISATION DU MOULIN

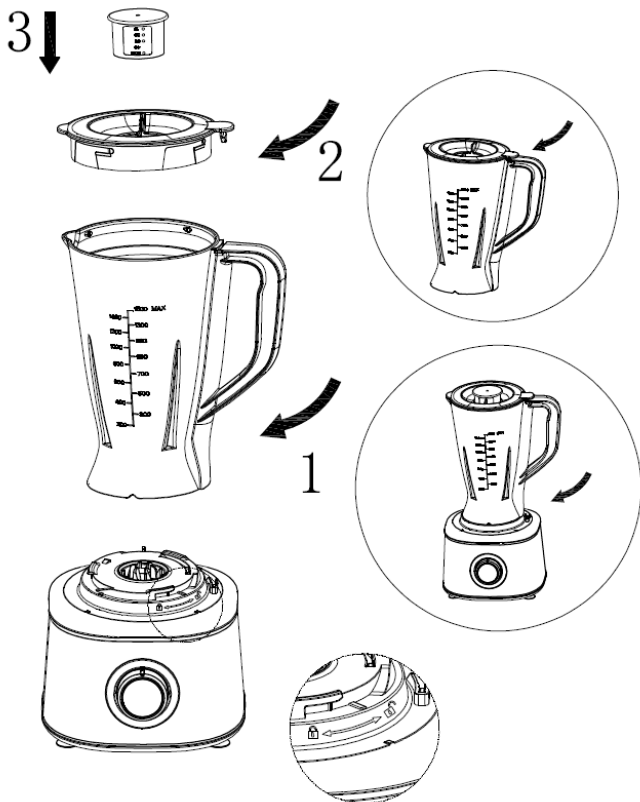
1. Assemblez l'appareil dans l'ordre suivant.
2. Assurez-vous que le bol du moulin est bien verrouillé à l'étape 2, sinon l'appareil ne fonctionnera pas.
3. Après le fonctionnement, vous pouvez démonter l'appareil en suivant les étapes d'assemblage en sens inverse.
4. Ne retirez le moulin de l'appareil que lorsque la lame est complètement arrêtée.



- Utilisez le moulin pour moudre les grains de café, les amandes et les aliments similaires. Assurez-vous de ne pas remplir les ingrédients au-delà du niveau MAX indiqué sur le broyeur ; la capacité maximale est de 100 g. **Remarque** : N'utilisez pas cet accessoire pour mixer de la viande.
- Pour obtenir le meilleur résultat de traitement : **utilisez la vitesse par impulsions**
- La durée de fonctionnement maximale par cycle ne doit pas dépasser 60 secondes et un temps de pause minimum de 2 minutes doit être maintenu entre deux cycles consécutifs. Un temps de pause d'au moins 30 minutes doit être maintenu pour permettre à l'appareil de refroidir après trois cycles de fonctionnement.

UTILISATION DU MIXEUR

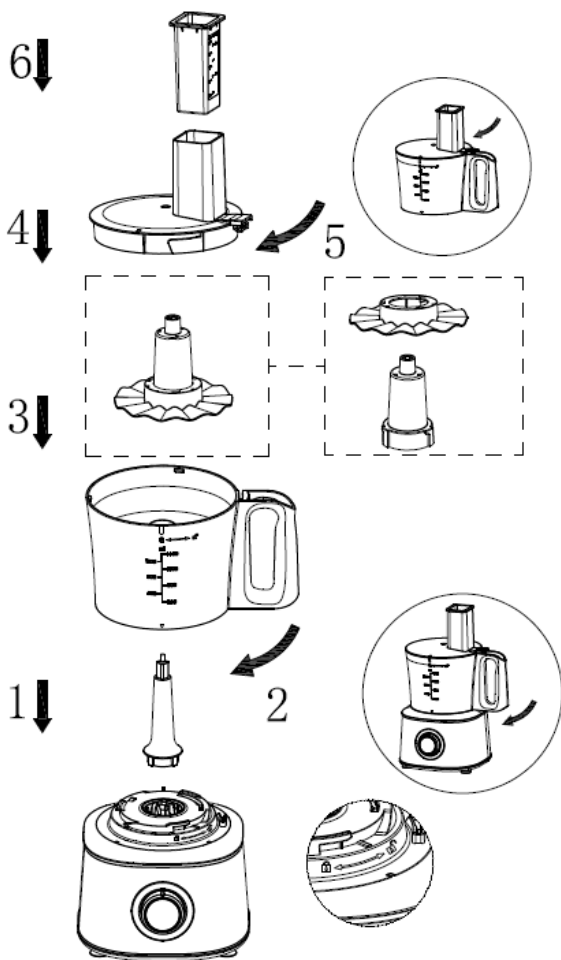
1. Assemblez l'appareil dans l'ordre suivant.
2. Assurez-vous que le bol du mixeur et le couvercle de l'étape 1 et de l'étape 2 sont bien verrouillés, sinon l'appareil ne fonctionnera pas.
3. Après le fonctionnement, vous pouvez démonter l'appareil en suivant les étapes d'assemblage en sens inverse.
4. Faites toujours attention lorsque vous manipulez la lame en acier inoxydable, car elle est très tranchante.
5. N'ouvrez le couvercle que lorsque les lames sont complètement arrêtées.



- Épluchez ou épépinez les fruits ou légumes puis coupez-les en petits dés ; mettez les morceaux dans le bol. En général, une certaine quantité d'eau purifiée doit être ajoutée pour faciliter le bon fonctionnement de l'appareil. La quantité de mélange ne doit pas dépasser le niveau maximum indiqué sur le bol du mixeur.
Remarque : n'utilisez jamais de liquides bouillants et ne faites jamais fonctionner l'appareil à vide. Le bol du mixeur ne peut pas être utilisé pour mixer de la viande.
- N'ouvrez le couvercle que lorsque les lames sont complètement arrêtées. Pour plus de précautions, vous pouvez débrancher l'appareil avant de retirer le couvercle.
- Pour ajouter des ingrédients liquides en cours de traitement, retirez la tasse à mesurer du couvercle et versez le liquide par l'ouverture du couvercle.
- Coupez les ingrédients solides en petits morceaux avant de les transformer.
- Pour une grande quantité, versez de petits lots d'ingrédients plutôt qu'une grande quantité en une seule fois.
- Utilisez des ingrédients cuits pour la préparation d'une soupe.
- Si un liquide est chaud ou a tendance à mousser (par exemple, du lait), ne mettez pas plus d'un litre dans le bol du mixeur pour éviter tout débordement.
- Si le résultat n'est pas satisfaisant, éteignez l'appareil et remuez les ingrédients avec une spatule.
- Pour obtenir le meilleur résultat de traitement : **utilisez la vitesse élevée ou la vitesse par impulsions**
- La durée de fonctionnement maximale par cycle ne doit pas dépasser 120 secondes et un temps de pause minimum de 2 minutes doit être maintenu entre deux cycles consécutifs. Un temps de pause d'au moins 30 minutes doit être maintenu pour permettre à l'appareil de refroidir après trois cycles de fonctionnement.

UTILISATION DU DISQUE À FOUETTER

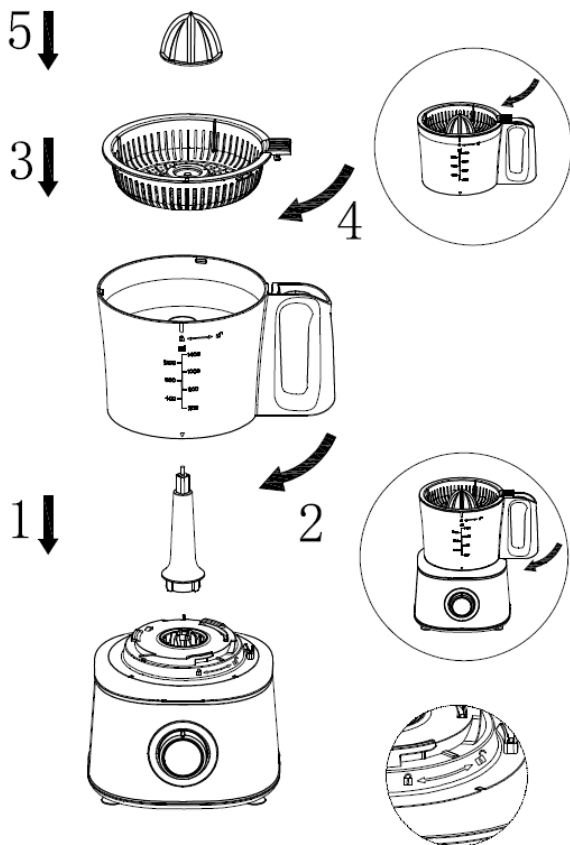
1. Assemblez l'appareil dans l'ordre suivant.
2. Assurez-vous que le bol du robot (étape 2) et le couvercle (étape 5) sont bien verrouillés, sinon l'appareil ne fonctionnera pas.
3. Après le fonctionnement, vous pouvez démonter l'appareil en suivant les étapes d'assemblage en sens inverse.
4. Ne retirez le disque de l'appareil que lorsque le disque est complètement arrêté.



- Pour fouetter les blancs d'œufs uniquement (jusqu'à 3 blancs d'œufs) ; veuillez utiliser des œufs à température ambiante. Veuillez vous assurer que le bol et le disque à fouetter sont secs et exempts de graisse.
- Pour obtenir le meilleur résultat de traitement : **utilisez la vitesse élevée**
- N'utilisez jamais ce disque pour pétrir de la pâte ou mélanger des mélanges à gâteaux.
- La durée de fonctionnement maximale par cycle ne doit pas dépasser 120 secondes et un temps de pause minimum de 2 minutes doit être maintenu entre deux cycles consécutifs. Un temps de pause d'au moins 30 minutes doit être maintenu pour permettre à l'appareil de refroidir après trois cycles de fonctionnement.

UTILISATION DU PRESSE-AGRUMES

1. Assemblez l'appareil dans l'ordre suivant.
2. Assurez-vous que le bol du robot (étape 2) et le presse-agrumes (étape 4) sont bien verrouillés, sinon l'appareil ne fonctionnera pas.
3. Après le fonctionnement, vous pouvez démonter l'appareil en suivant les étapes d'assemblage en sens inverse.
4. Ne retirez le presse-agrumes de l'appareil que lorsqu'il est complètement arrêté.




















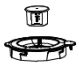
- Utilisez ce presse-agrumes pour extraire le jus des agrumes (oranges, par exemple).
- Pour obtenir les meilleures performances, appuyez sur l'orange non seulement à la verticale mais aussi de gauche ou à droite.
- Pour obtenir le meilleur résultat de traitement : **utilisez la vitesse faible**
- La durée de fonctionnement maximale par cycle ne doit pas dépasser 120 secondes et un temps de pause minimum de 2 minutes doit être maintenu entre deux cycles consécutifs. Un temps de pause d'au moins 30 minutes doit être maintenu pour permettre à l'appareil de refroidir après trois cycles de fonctionnement.

ENTRETIEN ET NETTOYAGE

- Avant de nettoyer l'appareil, débranchez-le.
- Démontez l'appareil. Veillez à ne pas mettre d'objet dur en contact avec les lames. Cela pourrait en effet les émousser. Les lames sont aiguisées. Nettoyez-les avec précautions.
- Nettoyez l'unité principale à l'aide d'un chiffon humide. N'immergez jamais l'appareil dans l'eau pour éviter tout risque d'électrocution. Séchez-le ensuite soigneusement. Assurez-vous que la zone de verrouillage est exempte de particules alimentaires.
- Nettoyez les autres pièces dans de l'eau savonneuse (<60°C). Rincez-les et essuyez-les.
- À l'exception de l'unité principale, toutes les autres pièces peuvent être lavées au lave-vaisselle avec une température d'eau inférieure à 60 °C et un temps de lavage ne dépassant pas 45 minutes.
- Rangez le robot dans un lieu propre et sec.

Remarque :

- Certains aliments peuvent décolorer le disque (pour trancher / découper / déchiqueter). Ce phénomène est normal et n'endommage pas le plastique ni n'affecte pas la saveur des aliments. Frottez-le avec un chiffon imbibé d'huile végétale pour éliminer la décoloration.
- Pour un nettoyage rapide après avoir haché ou mixé des aliments, vous pouvez verser un peu d'eau dans le bol du robot ou du mixeur, puis tourner et maintenir le bouton de contrôle sur la position « P » pendant quelques secondes.

							
	✓	✓	✗		✓	✓	✓
	✓	✓	✗		✓	✓	✓
	✓	✓	✓		✓	✓	✗
	✓	✓	✗		✓	✓	✓
	✓	✓	✗		✓	✓	✗
	✗	✗	✓		✓	✓	✓

SPECIFICITES

Alimentation voltage: 220-240V ~ 50-60Hz

Consommation alimentation: 1000W

GARANTIE ET SERVICE APRÈS-VENTE

Nos appareils sont soumis à un contrôle de qualité strict avant d'être livrés. Si l'appareil a toutefois été endommagé lors de la production ou du transport en dépit des soins que nous lui donnons, retournez l'appareil au vendeur.

Nous offrons une garantie de 2 ans pour l'appareil acheté à partir de la date de vente. En cas de produit défectueux, vous pouvez retourner directement au point de vente.

Les défauts dus à une utilisation non conforme de l'appareil et les dommages dus à une intervention ou réparation faite par une tierce personne ou dus à l'installation de pièces qui ne sont pas d'origine ne sont pas couverts par cette garantie. Conservez toujours votre reçu, car sans celui-ci vous ne pourrez réclamer aucune sorte de garantie. Les dommages causés par le non respect des instructions de ce manuel rendront la garantie caduque, Nous décline toute responsabilité en cas de dommages indirects. Nous décline toute responsabilité en cas de dégâts matériels ou de dommages corporels causés par une utilisation inappropriée ou si les instructions de sécurité n'ont pas été convenablement observées. Si les accessoires sont endommagés, cela ne signifie pas que toute la machine sera remplacée gratuitement. Dans de tels cas, veuillez contacter notre assistance. Des pièces brisées en verre ou en plastique sont toujours sujettes à des frais. Les défauts des consommables ou des pièces susceptibles de s'user, ainsi que le nettoyage, l'entretien ou la réparation desdites pièces ne sont pas couverts par la garantie et doivent donc être payés.



Le symbole de la poubelle barrée signifie que ce produit ne peut pas être éliminé avec les déchets ménagers usuels. Les équipements électroniques et électriques non compris dans le processus de tri sélectif sont potentiellement dangereux pour l'environnement et la santé humaine en raison de la présence de substances dangereuses. Veuillez les éliminer de manière responsable dans des centres approuvés de traitement ou recyclage des déchets.

Fabriqué par: Emerio B.V.

Oudeweg 115, 2031 CC Haarlem, The Netherlands

Gebruiksaanwijzing – Dutch

VEILIGHEIDSVOORSCHRIFTEN

Voor gebruik dient u alle onderstaande instructies te lezen om letsel en schade te voorkomen en om de beste resultaten met het apparaat te bereiken. Bewaar deze handleiding op een veilige plek. Mocht u dit apparaat aan iemand anders overhandigen, dient u ook de gebruiksaanwijzing te overhandigen.

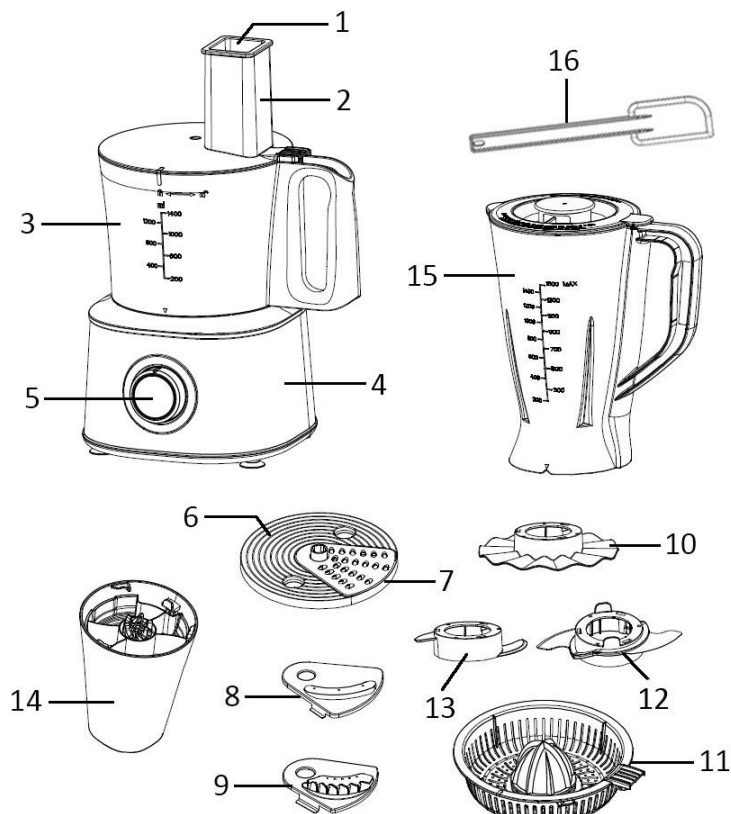
In geval van schade die wordt veroorzaakt doordat de gebruiker de instructies in deze gebruiksaanwijzing niet in acht heeft genomen, komt de garantie te vervallen. De fabrikant/importeur is niet aansprakelijk voor schade die wordt veroorzaakt door het niet in acht nemen van de gebruiksaanwijzing, door nalatig gebruik of gebruik dat niet in overeenstemming is met de bepalingen van deze gebruiksaanwijzing.

1. Waarschuwing: Het apparaat verkeerd gebruiken kan letsel veroorzaken.
2. Trek altijd de stekker uit het stopcontact als er geen toezicht op het apparaat is en voordat u het in elkaar zet of reinigt.
3. Dit apparaat mag niet door kinderen worden gebruikt. Houd het apparaat en het snoer buiten het bereik van kinderen.
4. Apparaten kunnen worden gebruikt door personen met fysieke, zintuiglijke of mentale beperkingen, of die het ontbreekt aan ervaring en kennis, mits ze onder supervisie staan of instructies hebben gekregen omtrent het veilige gebruik van de apparaten en inzicht hebben in de risico's die er aan zijn verbonden.
5. Laat kinderen niet met het apparaat spelen.
6. Als het snoer is beschadigd, moet het worden vervangen door de fabrikant, zijn klantenservice of gelijksoortig geschoolde personen, om gevaar te vermijden.
7. Schakel het apparaat uit en haal de stekker uit het stopcontact voordat u accessoires vervangt of de bewegende onderdelen aanraakt.
8. Wees voorzichtig als u met scherpe messen hanteert, de kan leeg maakt en tijdens het reinigen.
9. Wees voorzichtig wanneer u hete vloeistoffen in de keukenmachine giet, deze kunnen uit het apparaat spatten als gevolg van een plotselinge stoomvorming.
10. Voordat u de stekker in het stopcontact steekt, dient u te controleren of de stroom en de frequentie overeen komen met de specificaties van het typeplaatje.
11. Als u gebruik maakt van een verlengkabel, dient dit geschikt te zijn voor het stroomverbruik van het apparaat, anders kan oververhitting van de verlengkabel en/of stekker het gevolg zijn. Er is risico op letsel door het struikelen over het verlengsnoer. Wees voorzichtig om gevaarlijke situaties te vermijden.
12. Trek de stekker uit het stopcontact als het apparaat niet in gebruik is en voordat u het apparaat reinigt.
13. Let op dat de stroomkabel niet over scherpe randen hangt en niet in de buurt komt van hete voorwerpen en open vuur.
14. Dompel het apparaat of de stekker niet onder in water of andere vloeistoffen. Er bestaat levensgevaar als gevolg van een elektrische schok!
15. Om de stekker uit het stopcontact te halen, dient u aan de stekker zelf te trekken. Trek niet aan de stroomkabel.
16. Raak het apparaat niet aan als het in water is gevallen. Trek de stekker uit het stopcontact, schakel het apparaat uit en breng het ter reparatie naar een geautoriseerd servicecenter.
17. Steek de stekker niet in het stopcontact en haal hem er niet uit als u natte handen heeft.
18. Probeer nooit de behuizing van het apparaat te openen en probeer nooit zelf het apparaat te repareren. Dit kan een elektrische schok veroorzaken.
19. Kinderen zijn niet in staat de gevaren te herkennen die voortvloeien uit de foutieve omgang met elektrische apparaten. Daarom mogen kinderen huishoudelijke apparatuur nooit zonder toezicht gebruiken.
20. Laat het apparaat nooit onbeheerd achter wanneer het in gebruik is.
21. Dit apparaat werd niet ontworpen voor commercieel gebruik. Alleen voor huishoudelijk gebruik. Gebruik het apparaat niet buitenshuis.

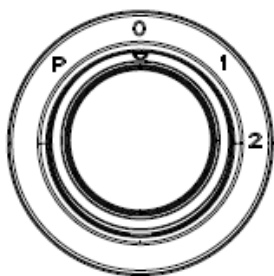
22. Gebruik het apparaat niet voor andere doeleinden dan het beoogde doel.
23. Draai de kabel niet om het apparaat en buig hem niet.
24. Het gebruik van accessoires die niet worden aanbevolen door de fabrikant kan letsel veroorzaken.
25. Breng geen verandering aan aan de veiligheidsschakelaars.
26. Wacht tot de bewegende delen stoppen met draaien voordat u het deksel van de machine verwijdert.
27. Houd handen en keukengerei uit de buurt van de draaiende messen of schijven tijdens het verwerken van levensmiddelen om het risico op ernstig letsel aan personen of schade aan het apparaat te beperken. Een schraper of spatel mag worden gebruikt, maar alleen wanneer het apparaat niet in werking is.
28. Vermijd contact met de bewegende delen.
29. Voer nooit voedsel in met de hand. Gebruik altijd de stamper.
30. Verwijder geen voedsel van een accessoire met behulp van uw vingers wanneer het apparaat in werking is. Dit kan een snijwonde veroorzaken.
31. Zorg dat het deksel stevig op zijn plaats vastzit voordat het apparaat wordt ingeschakeld.
32. Schakel het apparaat na elk gebruik uit. Zorg dat de motor tot een volledige stilstand is gekomen voordat u het apparaat uit elkaar haalt.
33. Steek tijdens de werking van het apparaat geen vingers of een ander voorwerp in de opening van het apparaat. Als er voedsel in de opening blijft vastzitten, duw het omlaag met behulp van de stamper. Wanneer deze methode het probleem niet oplost, schakel het apparaat uit en haal het uit elkaar om het resterend voedsel te verwijderen.
34. De metalen messen zijn zeer scherp, ga er voorzichtig mee om. Houd het mesgedeelte tijdens hantering en reiniging altijd vast bij de vingergreep of de schacht en uit de buurt van de snijrand
35. Om het risico op letsel te beperken, breng het mes nooit op de aandrijfas aan zonder dat de kom stevig op zijn plaats vastzit.
36. Met het oog op de instructies voor de reiniging van de oppervlakken die in contact komen met voedsel, snelheidsinstellingen en gebruiksduur, dient u de onderstaande paragraaf in de gebruiksaanwijzing te lezen.

OMSCHRIJVING ONDERDELEN

1. Stopper
2. Vultrechter
3. Keukenmachine kom
4. Hoofdeenheid
5. Bedieningsknop
6. Schijf voor bevestiging van mes
7. Mes om te versnipperen
8. Mes om in schijfjes te snijden
9. Mes om in reepjes te snijden
10. Emulgeerschijf
11. Citruspers
12. Roestvrijstalen mes
13. Kunststof mes
14. Hakmolen
15. Blender
16. Spatel



Bedieningsknop



P = Pulssnelheid

0 = Uit

1 = Lage snelheid

2 = Hoge snelheid

VOOR INGEBRUIKNAME

Haal de keukenmachine en de opzetstukken uit de verpakking en verwijder alle verpakkingsmateriaal, labels of stickers voordat het apparaat voor de eerste keer wordt gebruikt. Reinig het apparaat volgens de instructies in de sectie 'REINIGING EN ONDERHOUD'. Hanteer de messen met de nodige voorzichtigheid, deze zijn scherp. Het apparaat kan worden gebruikt voor het hakken van vlees, groente en fruit, kneden, kloppen en opkloppen, versnipperen, groente of aardappelen in schijfjes of reepjes snijden, gladde soep, saus, room, fruitpuree, melk, etc. bereiden met behulp van verschillende accessoires om verschillende taken uit te voeren.

BEDIENING

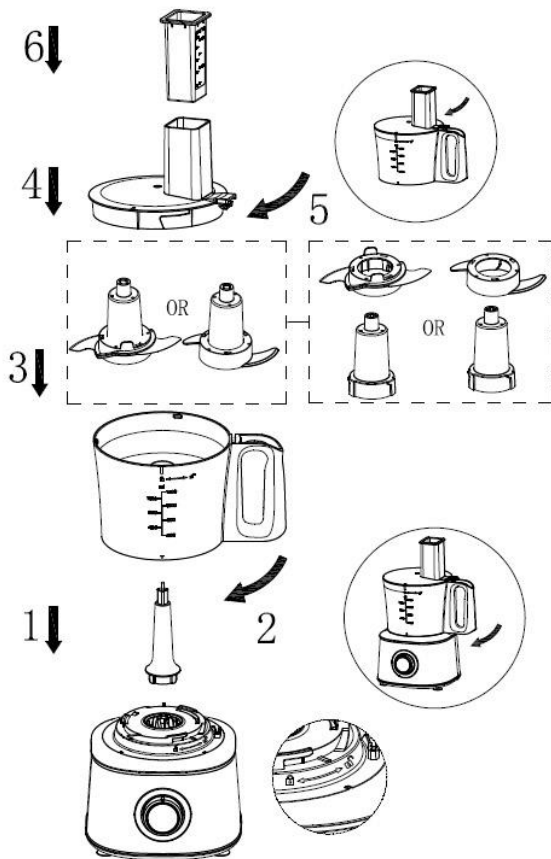
- Zorg dat de ingrediënten op kamertemperatuur zijn voordat u ze verwerkt.
- Zet het apparaat voor gebruik in elkaar volgens de onderstaande afbeeldingen.
- Voeg daarna de ingrediënten toe en steek de stekker in het stopcontact. Draai de bedieningsknop met de klok mee om de gewenste snelheidsinstelling te kiezen.
Pulssnelheid: draai de bedieningsknop tegen de wijzers van de klok in en houd hem ingedrukt om de pulssnelheid te krijgen. Laat de knop los om het apparaat uit te schakelen.
- Haal na gebruik de stekker uit het stopcontact.

LET OP: Dit apparaat is uitgerust met een ingebouwde veiligheidsschakelaar. U kunt het apparaat alleen aanzetten als een van de volgende onderdelen correct op de hoofdeenheid geplaatst zijn: de kom van de keukenmachine en het deksel; de hakmolen; de blenderbeker en het deksel; de kom van de keukenmachine en de citruspers.

HET GEBRUIKEN VAN HET MES

Er zijn twee messen meegeleverd (roestvrij staal en kunststof).

1. Zet het apparaat in elkaar in deze volgorde.
2. Zorg ervoor dat de kom van de keukenmachine in stap 2 en het deksel in stap 5 goed vergrendeld zijn, anders werkt het apparaat niet.
3. In stap 3 kunt u het gewenste mes kiezen: roestvrij staal of kunststof. Zorg ervoor dat het goed op de as vastzit.
4. Na gebruik kunt u het apparaat demonteren door in de tegengestelde richting te draaien.
5. Open het deksel pas als het mes helemaal stilstaat.



Roestvrijstalen mes:

- Snij het voedsel in kleine stukken alvorens ze te verwerken, bijv. 2cm*2cm*6cm voor rundvlees. Plaats het voorbereide voedsel dat u wilt hakken in de kom.
- U kunt tijdens het hakken met behulp van de stamper voedsel via de vultrechter toevoegen. Duw het voedsel nooit omlaag met ander voedsel of uw vingers.
- Voor het beste resultaat: **gebruik de pulssnelheid**
 - **Hard voedsel:** gedroogd fruit en wortelen zoals wortelen, selderij, etc.
 - **Zacht voedsel:** groente, zoals ui, spinazie, etc.
 - **Rauw en gekookt vlees** (zonder botten en in plakjes gesneden)

Voorzichtig: de totale werkingstijd mag niet meer dan 90 seconden bedragen. De maximale hoeveelheid voedsel is 400 g.

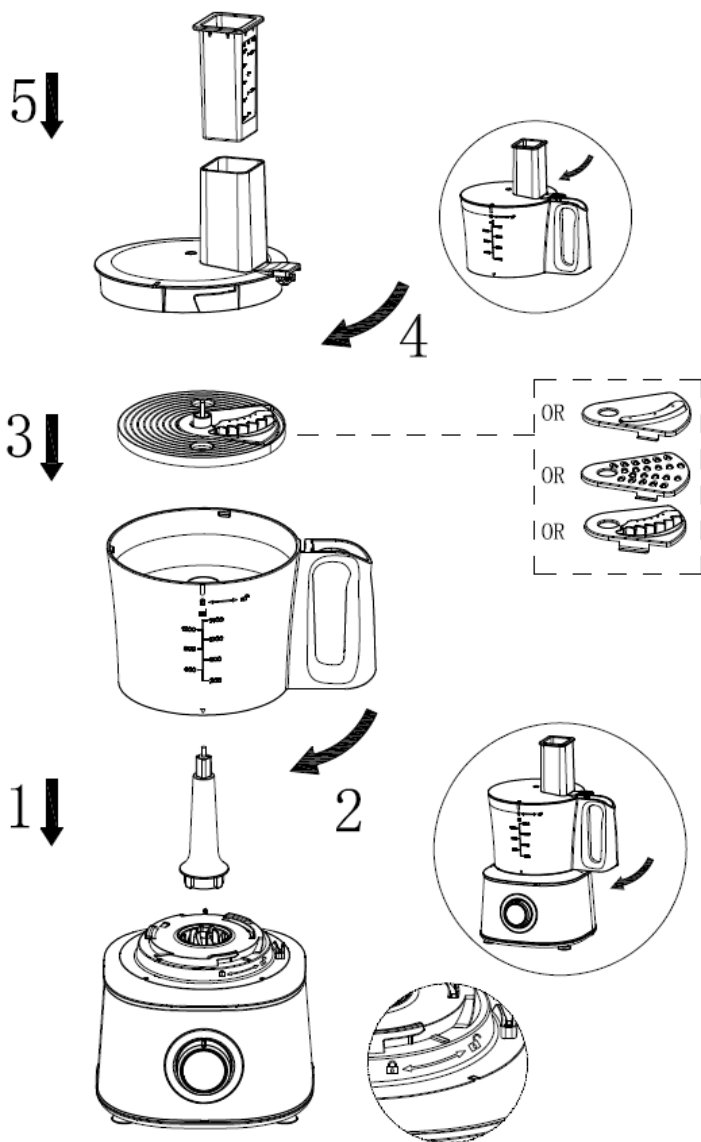
- De max. werkingstijd per cyclus mag niet langer dan 30 seconden bedragen en wacht minstens 2 minuten voordat het apparaat opnieuw wordt gebruikt. Wacht na 3 gebruikscycli minstens 30 minuten om het apparaat te laten afkoelen.

Kunststof mes:

- Doe de bloem in de kom. De maximale hoeveelheid bloem is 375 g.
- Voeg één eetlepel olie via de vultrechter aan het apparaat toe. Draai de bedieningsknop naar de stand '2'. Voeg binnen 20 sec langzaam water via de vultrechter toe. De maximale hoeveelheid water is 225 g.
- Opmerking: De verhouding bloem en water is 5:3, de hoeveelheid bloem en water mag 600 g niet overschrijden.
- Voeg wat water toe als de snelheid tijdens de werking afneemt zodat de motor vloeiend blijft draaien, anders kan de motor beschadigd raken. Om schudden tijdens het kneden/mengen te vermijden, oefen druk uit op het deksel met een hand terwijl uw andere hand het handvat vasthoudt.
- Schakel het apparaat uit zodra een deegbal wordt gevormd.
- Haal de stekker uit het stopcontact, haal het deksel af, verwijder het plastic mes en haal dan de deeg uit.
- De max. werkingstijd per cyclus mag niet langer dan 90 seconden bedragen en wacht minstens 2 minuten voordat het apparaat opnieuw wordt gebruikt. Wacht na 3 gebruikscycli minstens 30 minuten om het apparaat te laten afkoelen.

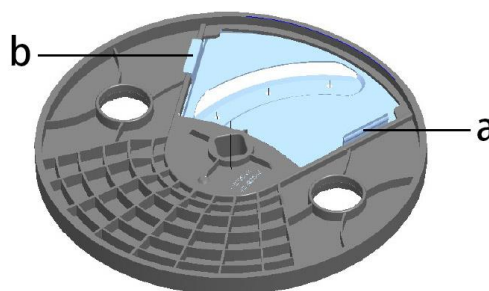
DE SCHIJF VOOR BEVESTIGING VAN MES GEBRUIKEN

1. Zet het apparaat in elkaar in deze volgorde.
2. Zorg ervoor dat de kom van de keukenmachine in stap 2 en het deksel in stap 4 goed vergrendeld zijn, anders werkt het apparaat niet.
3. In stap 3 kunt u het gewenste mes kiezen: mes om in schijfjes te snijden, mes om te versnipperen of mes om in reepjes te snijden. Zorg ervoor dat het mes stevig in de schijf vastzit.
4. Na gebruik kunt u het apparaat demonteren door in de tegengestelde richting te draaien.
5. Wees altijd voorzichtig bij het hanteren van het mes, want het is zeer scherp.
6. Open het deksel pas als het blad helemaal stilstaat.



Om het mes van de schijf te verwijderen, druk het deel (a) langzaam naar binnen om het mes omlaag te duwen. Om het mes in de schijf aan te brengen, maak deel (b) eerst vast aan de schijf en duw het mes vervolgens in.

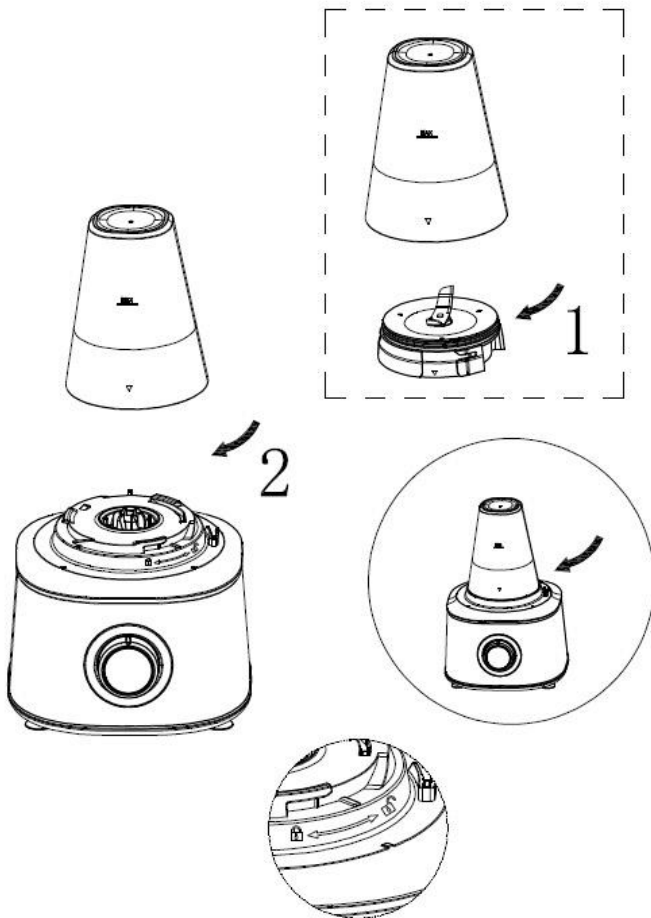
Wees altijd voorzichtig bij het hanteren van het mes, want het is zeer scherp.



- Let op de markering van de vulhoeveelheid. Zodra het voedsel de maximumlijn op de kom nadert, stop dan en neem het voedsel uit de kom.
- Inschakelen en gelijkmatig aandrukken met de drukker - steek nooit uw vingers in de toevoerbuus. U kunt tot 500 g voedsel, zoals aardappelen, ui, komkommers, appels, wortelen, versnipperen of in schijfjes of reepjes snijden.
- Voor het beste resultaat: **gebruik lage snelheid of hoge snelheid**
- De max. werkingstijd per cyclus mag niet langer dan 60 seconden bedragen en wacht minstens 2 minuten voordat het apparaat opnieuw wordt gebruikt. Wacht na 3 gebruikscycli minstens 30 minuten om het apparaat te laten afkoelen.

GEBRUIK VAN DE HAKMOLEN

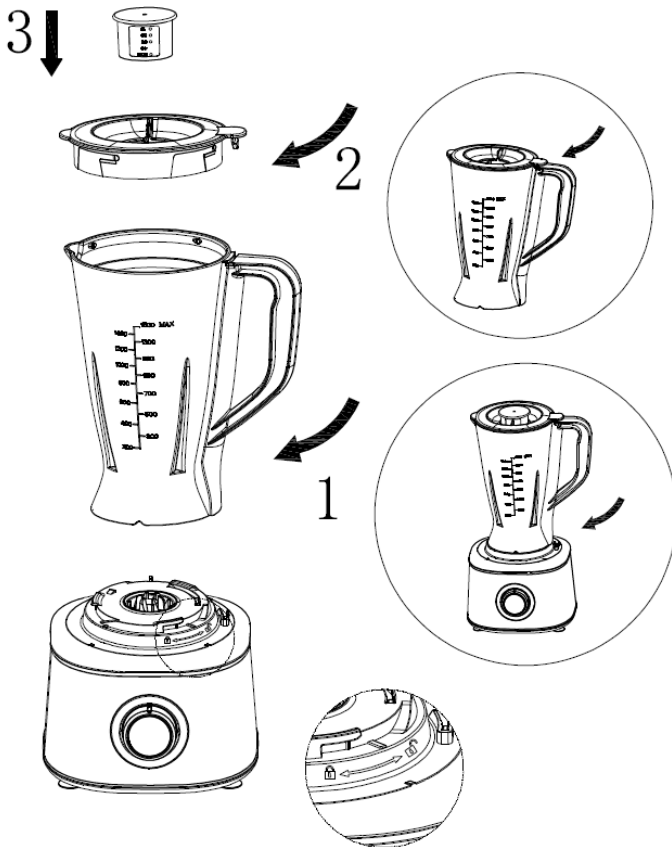
1. Zet het apparaat in elkaar in deze volgorde.
2. Zorg ervoor dat de beker goed vergrendeld is in stap 2, zo niet zal het apparaat niet werken.
3. Na gebruik kunt u het apparaat demonteren door in de tegengestelde richting te draaien.
4. Neem de hakmolen pas uit het apparaat wanneer het mes volledig stilstaat.



- Te gebruiken voor het malen van koffiebonen, amandelen en soortgelijke voedingsmiddelen. Zorg dat de ingrediënten in de hakmolen niet boven de MAX markering komen. De maximale capaciteit is 100 g. **Opmerking:** niet gebruiken voor het vermalen van vlees.
- Voor het beste resultaat: **gebruik de pulssnelheid**
- De max. werkingstijd per cyclus mag niet langer dan 60 seconden bedragen en wacht minstens 2 minuten voordat het apparaat opnieuw wordt gebruikt. Wacht na 3 gebruikscycli minstens 30 minuten om het apparaat te laten afkoelen.

GEBRUIK VAN DE BLENDER

1. Zet het apparaat in elkaar in deze volgorde.
2. Zorg ervoor dat de blenderbeker en het deksel in stap 1 en stap 2 goed vergrendeld zijn, anders werkt het apparaat niet.
3. Na gebruik kunt u het apparaat demonteren door in de tegengestelde richting te draaien.
4. Wees altijd voorzichtig bij het hanteren van het blad, want het is zeer scherp.
5. Open het deksel pas als het blad helemaal stilstaat.



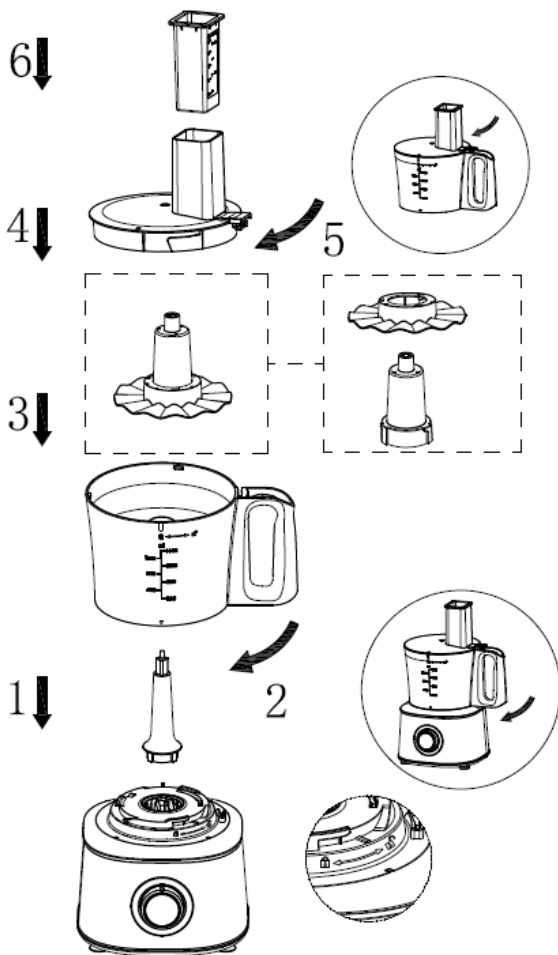
- Schil het fruit of de groente, haal eventueel het klokhuis uit en snij in kleine stukken. Plaats de stukken vervolgens in de kan. Er dient over het algemeen een bepaalde hoeveelheid zuiver water toegevoegd te worden om een goede werking van het apparaat te waarborgen. De hoeveelheid voedsel mag de maximum markering op de blender niet overschrijden.

Opmerking: gebruik nooit een kokende vloeistof en schakel het apparaat niet leeg in. De blender kan niet worden gebruikt voor het vermalen van vlees.

- Open nooit het deksel als het mes nog draait. Voor extra veiligheid kunt u de stekker uit het stopcontact halen alvorens het deksel te verwijderen.
- Om vloeibare ingrediënten toe te voegen tijdens de verwerking, verwijdert u de maatbeker van het deksel en giet u vloeistof door de opening in het deksel.
- Snijd vaste ingrediënten in kleinere stukken voordat u ze verwerkt.
- Voor een grote hoeveelheid giet u kleine hoeveelheden ingrediënten in plaats van een grote hoeveelheid in één keer.
- Gebruik gekookte ingrediënten voor een soepbereiding.
- Als een vloeistof heet is of de neiging heeft te gaan schuimen (bijv. melk), doe dan niet meer dan 1 liter in de blenderbeker om morsen te voorkomen.
- Als het resultaat niet bevredigend is, zet u het apparaat uit en roert u de ingrediënten met een spatel om.
- Voor het beste resultaat: **gebruik hoge snelheid of pulssnelheid**
- De max. werkingstijd per cyclus mag niet langer dan 120 seconden bedragen en wacht minstens 2 minuten voordat het apparaat opnieuw wordt gebruikt. Wacht na 3 gebruikscycli minstens 30 minuten om het apparaat te laten afkoelen.

GEBRUIK VAN DE KLOPSCHIJF

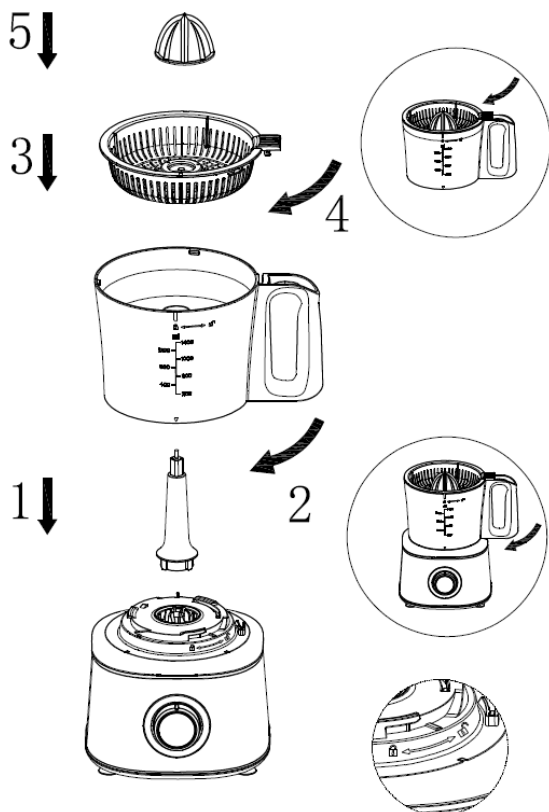
1. Zet het apparaat in elkaar in deze volgorde.
2. Zorg ervoor dat de kom van de keukenmachine in stap 2 en het deksel in stap 5 goed vergrendeld zijn, anders werkt het apparaat niet.
3. Na gebruik kunt u het apparaat demonteren door in de tegengestelde richting te draaien.
4. Neem de schijf pas uit het apparaat wanneer de schijf volledig stilstaat.



- Alleen voor het opkloppen van eiwit (tot 3 eiwitten); gebruik eieren op kamertemperatuur. Zorg ervoor dat de kan en de emulgeerschijf droog en vetvrij zijn.
- Voor het beste resultaat: **gebruik hoge snelheid**
- Gebruik deze schijf nooit voor het kneden van deeg of het mixen van cakebeslag.
- De max. werkingstijd per cyclus mag niet langer dan 120 seconden bedragen en wacht minstens 2 minuten voordat het apparaat opnieuw wordt gebruikt. Wacht na 3 gebruikscycli minstens 30 minuten om het apparaat te laten afkoelen.

GEBRUIK VAN DE CITRUSPERS

1. Zet het apparaat in elkaar in deze volgorde.
2. Zorg ervoor dat de kom van de keukenmachine in stap 2 en het deksel in stap 4 goed vergrendeld zijn, anders werkt het apparaat niet.
3. Na gebruik kunt u het apparaat demonteren door in de tegengestelde richting te draaien.
4. Neem de pers pas uit het apparaat wanneer deze volledig stilstaat.





















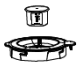
- Gebruik deze citruspers om het sap uit citrusvruchten (bv. sinaasappelen) te persen.
- Om het beste resultaat te krijgen, drukt u de sinaasappel niet alleen verticaal, maar ook naar links en rechts.
- Voor het beste resultaat: **gebruik lage snelheid**
- De max. werkingstijd per cyclus mag niet langer dan 120 seconden bedragen en wacht minstens 2 minuten voordat het apparaat opnieuw wordt gebruikt. Wacht na 3 gebruikscycli minstens 30 minuten om het apparaat te laten afkoelen.

REINIGEN EN ONDERHOUD

- Voor u het apparaat schoonmaakt dient u de stekker uit het stopcontact te halen.
- Haal het apparaat uit elkaar. Zorg dat de snijkanten van de messen niet in contact komt met harde voorwerpen. Dit kan ervoor zorgen dat het mes bot wordt. De messen zijn scherp. Wees daarom voorzichtig bij het schoonmaken.
- Veeg de hoofdeenheid alleen schoon met een vochtige doek. Maak het apparaat nooit schoon in water om het risico op elektrische schokken te vermijden. Veeg vervolgens grondig droog. Zorg ervoor dat de vergrendelingszone vrij van etensresten is.
- Reinig de onderdelen in de afwas (<60°C). Spoel de onderdelen en droog ze goed af.
- Behalve de hoofdeenheid kunnen alle andere onderdelen in de vaatwasser worden gereinigd met een watertemperatuur van minder dan 60°C en een wastijd van maximaal 45 minuten.
- Bewaar het apparaat op een droge plaats.

Opmerking:

- Bepaalde levensmiddelen kunnen de schijf (om te versnipperen/in schijfjes of reepjes snijden) verkleuren. Dit is normaal en heeft geen invloed op de kunststof of de smaak van het voedsel. Veeg de schijf met een doek gedrenkt in spijsolie om de verkleuring te verwijderen.
- Voor een snelle reiniging na een hak- of mengproces, doe wat water in de kom of blender, draai de bedieningsknop naar de stand 'P' en houd deze enkele seconden in deze stand.

							
	✓	✓	✗		✓	✓	✓
	✓	✓	✗		✓	✓	✓
	✓	✓	✓		✓	✓	✗
	✓	✓	✗		✓	✓	✓
 	✓	✓	✗		✓	✓	✗
	✗	✗	✓		✓	✓	✓

SPECIFICATIES

Voeding : 220-240V ~ 50-60Hz

Stroomverbruik : 1000W

GARANTIE EN KLANTENSERVICE

Vóór de levering worden onze apparaten streng gecontroleerd. Indien het toestel ondanks alle zorg bij de productie of tijdens het transport beschadigd werd, moet u het naar de handelaar terugbrengen.

Wij geven een garantie van 2 jaar op het toestel, te beginnen met de koopdatum. Indien u een defect product heeft, kunt u rechtstreeks terug gaan naar het aankooppunt.

Gebreken die het gevolg zijn van ondeskundig gebruik van het toestel, fouten tijdens ingrepen en reparaties door derden of door de inbouw van vreemde onderdelen, vallen niet onder deze garantie. Bewaar altijd uw aankoopnota, zonder aankoopnota kunt u geen aanspraak maken op enige vorm van garantie. Bij schade veroorzaakt door het niet opvolgen van de gebruiksaanwijzing vervalt het recht op garantie. Voor vervolgschade die hieruit ontstaat kunnen wij niet verantwoordelijk gehouden worden. Voor materiële schade of persoonlijk letsel veroorzaakt door ondeskundig gebruik of het niet opvolgen van de veiligheidsvoorschriften zijn wij niet aansprakelijk. In dergelijke gevallen vervalt iedere aanspraak op garantie. Schade aan accessoires of onderdelen betekent niet dat het gehele apparaat zal worden vervangen. Afgebroken glazen of kunststof onderdelen of accessoires vallen niet onder de garantie en zullen tegen vergoeding vervangen kunnen worden. Defecten aan hulpstukken of aan slijtage onderhevige onderdelen, alsmede reiniging, onderhoud of de vervanging van slijtende delen vallen niet onder de garantie en zullen dus in rekening gebracht worden.



Het symbool van de doorgekruiste vuilniscontainer betekent dat dit product niet met het gewone huisvuil mag worden weggegooid. Elektronische en elektrische apparatuur die niet is opgenomen in het selectieve afvalsorteringsproces is potentieel gevaarlijk voor het milieu en de menselijke gezondheid vanwege de aanwezigheid van gevaarlijke stoffen. Voer deze op verantwoorde wijze af bij een erkend afvalverwerkings- of recyclingbedrijf.

Geproduceerd door: Emerio B.V.

Oudeweg 115, 2031 CC Haarlem, The Netherlands

Instrukcja obsługi – Polish

INSTRUKCJE DOTYCZĄCE BEZPIECZEŃSTWA

Aby nie dopuścić do urazów lub uszkodzeń oraz aby maksymalnie wykorzystać możliwości urządzenia, przed rozpoczęciem jego użytkowania należy przeczytać wszystkie poniższe zalecenia. Niniejszą instrukcję należy przechowywać w bezpiecznym miejscu. W przypadku przekazania lub odstąpienia komuś tego urządzenia, do urządzenia należy dołączyć również tę instrukcję.

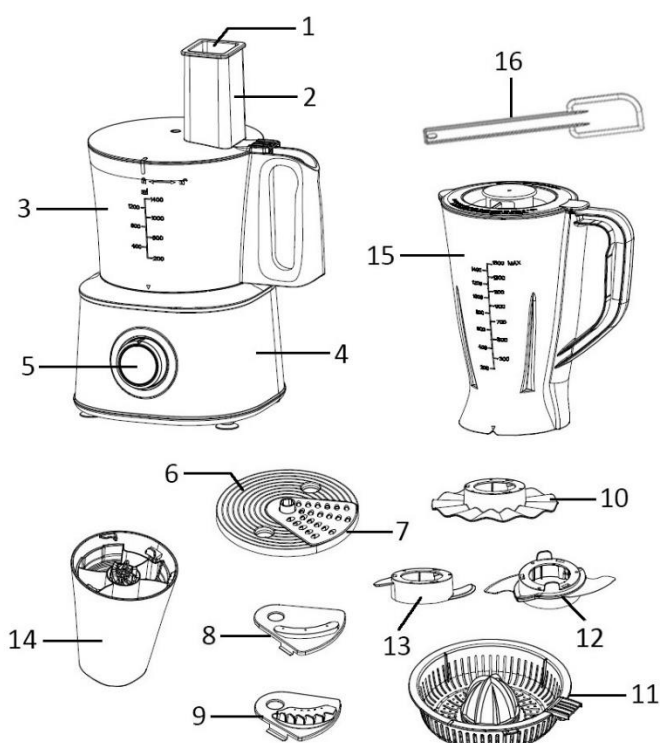
W przypadku uszkodzenia spowodowanego nieprzestrzeganiem przez użytkownika zaleceń podanych w niniejszej instrukcji gwarancja nie ma zastosowania. Producent/importer nie ponosi odpowiedzialności za szkody spowodowane nieprzestrzeganiem podanych w instrukcji zaleceń, zaniedbaniami oraz użytkowaniem w sposób niezgodny z wymaganiami opisanymi w instrukcji.

1. Ostrzeżenie: Niewłaściwe stosowanie może spowodować potencjalne obrażenia.
2. W przypadku pozostawienia bez nadzoru oraz przed montażem, demontażem lub czyszczeniem urządzenie należy zawsze odłączyć od zasilania.
3. Urządzenie nie powinno być używane przez dzieci. Urządzenie i jego kabel należy trzymać w miejscu niedostępnym dla dzieci.
4. Pod warunkiem zapewnienia odpowiedniego nadzoru, pouczenia na temat bezpiecznej obsługi i dopilnowania zrozumienia zagrożeń, urządzenia mogą być używane przez osoby o ograniczeniach fizycznych, czuciowych lub psychicznych, a także osoby, którym brak jest doświadczenia lub wiedzy.
5. Dzieci nie powinny bawić się urządzeniem.
6. Jeżeli kabel zasilający zostanie uszkodzony, aby uniknąć niebezpiecznych sytuacji, należy go wymienić. Wymiany powinien dokonać producent, przedstawiciel jego serwisu lub inne osoby o podobnych kwalifikacjach.
7. Przed wymianą akcesoriów lub zbliżeniem ręki do części poruszających się w czasie użytkowania, urządzenie należy wyłączyć i odłączyć od zasilania.
8. Podczas manipulowania ostrymi ostrzami tnącymi, opróżniania miski i czyszczenia należy zachować ostrożność.
9. Prosimy zachować ostrożność, jeśli do robota kuchennego będą nalewane gorące płyny, ponieważ pod wpływem nagłego parowania płyn może zostać wyrzucony na zewnątrz urządzenia.
10. Przed włożeniem wtyczki do kontaktu, należy sprawdzić, czy napięcie i częstotliwość są zgodne ze specyfikacją podaną na tabliczce znamionowej.
11. Jeżeli jest używany przedłużacz, musi on być dostosowany do mocy pobieranej przez urządzenie. W przeciwnym wypadku może dojść do przegrzania się przedłużacza i/lub wtyczki. Istnieje potencjalne ryzyko urazów na skutek potknięcia się o przewód zasilający. Zachowaj ostrożność, by uniknąć niebezpiecznych sytuacji.
12. Przed czyszczeniem i na czas, gdy urządzenie nie jest używane, należy wyjąć wtyczkę z kontaktu.
13. Należy dopilnować, aby kabel zasilający nie zwisał z ostrych krawędzi. Należy go trzymać z dala od gorących przedmiotów i otwartych płomieni.
14. Urządzenia i wtyczki kabla zasilającego nie wolno zanurzać w wodzie lub innych płynach. Ryzyko utraty życia wskutek porażenia prądem!
15. W celu wyjęcia wtyczki z kontaktu należy ciągnąć za wtyczkę. Nie należy ciągnąć za kabel zasilający.
16. Jeśli urządzenie wpadnie do wody, nie wolno go dotykać. Należy wyjąć wtyczkę z kontaktu, wyłączyć urządzenie i wysłać je do autoryzowanego punktu serwisowego w celu dokonania naprawy.
17. Nie należy mokrą ręką wkładać wtyczki urządzenia do kontaktu lub wyjmować jej z niego.
18. Nigdy nie należy próbować otwierać obudowy urządzenia lub samodzielnie urządzenie naprawić. Mogłoby to doprowadzić do porażenia prądem.
19. Dzieci nie zdają sobie sprawy z zagrożeń, jakie niesie ze sobą nieprawidłowe obchodzenie się z urządzeniami elektrycznymi. Dlatego też nigdy nie należy pozwalać dzieciom używać domowych urządzeń elektrycznych bez nadzoru.
20. W czasie użytkowania nie należy nigdy zostawiać urządzenia bez nadzoru.

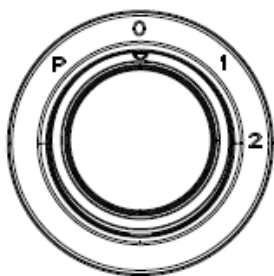
21. Urządzenie nie zostało zaprojektowane do użytku komercyjnego. Tylko do użytku domowego. Nie używać na dworze.
22. Urządzenia nie należy używać do celów, do których nie jest ono przeznaczone.
23. Kabla nie należy owijać wokół urządzenia ani zaginać.
24. Stosowanie akcesoriów lub elementów dodatkowych niezalecanych przez producenta urządzenia może doprowadzić do urazów.
25. Nie manipulować żadnymi przełącznikami bezpieczeństwa.
26. Odczekaj, aż ruchome części zatrzymają się zanim zdejmiesz pokrywkę z urządzenia.
27. Aby ograniczyć ryzyko poważnych urazów osób lub uszkodzenia urządzenia, podczas obróbki artykułów spożywczych ręce i przybory należy trzymać z dala od poruszających się ostrzy. Można używać skrobaka lub łopatki, ale tylko wtedy, gdy urządzenie nie pracuje.
28. Należy unikać kontaktu z poruszającymi się częściami.
29. Nigdy nie należy nakładać artykułów spożywczych ręcznie. Należy zawsze używać popychacza.
30. Gdy urządzenie pracuje, nie należy palcami zbierać artykułów spożywczych z końcówki roboczej. W efekcie może dojść do urazów ciętych.
31. Przed rozpoczęciem używania urządzenia należy upewnić się, że wieczko jest pewnie założone na swoje miejsce.
32. Po każdym użyciu urządzenie należy wyłączyć. Przed rozpoczęciem demontażu należy upewnić się, że silnik całkowicie się zatrzymał.
33. Gdy urządzenie pracuje, nie wolno wkładać palców ani innych przedmiotów do otworu urządzenia. Jeśli produkty spożywcze zablokują się w otworze, należy użyć popychacza, aby je popchnąć. Jeśli metoda ta nie zadziała, należy wyłączyć urządzenie i rozmontować je w celu usunięcia resztek produktów spożywczych.
34. Metalowe ostrza są bardzo ostre, należy się z nimi obchodzić ostrożnie. Zespół ostrza należy zawsze trzymać za uchwyt na palce lub trzonek, w bezpiecznej odległości od krawędzi tnącej, zarówno podczas przenoszenia, jak i w czasie czyszczenia.
35. Aby zmniejszyć ryzyko urazów, nigdy nie należy zakładać noża tnącego na wałek napędowy bez prawidłowego zablokowania miski robota kuchennego.
36. Zalecenia dotyczące czyszczenia powierzchni mających kontakt z żywnością, ustawienia prędkości i czasu działania podano w akapicie poniżej w niniejszej instrukcji.

OPIS CZĘŚCI

1. Popychacz
2. Komin
3. Miska robota kuchennego
4. Korpus
5. Pokrętło sterujące
6. Tarcza do trzymania ostrza
7. Ostrze do tarcia
8. Ostrze do siekania
9. Ostrze do rozdrabniania
10. Tarcza do ubijania
11. Wyciskarka do cytrusów
12. Ostrze noża ze stali nierdzewnej
13. Plastikowe ostrze noża
14. Młynek
15. Misa blendera
16. Łopatką



Pokrętko sterujące



P = Praca impulsowa

0 = Wyłączenie

1 = Mała prędkość

2 = Duża prędkość

PRZED PIERWSZYM UŻYCIEM

Przed pierwszym użyciem należy ostrożnie wypakować robota kuchennego i jego akcesoria oraz usunąć wszelkie materiały opakowaniowe, etykiety lub naklejki. Urządzenie należy wyczyścić zgodnie z opisem w części „CZYSZCZENIE I KONSERWACJA”. Z ostrzami należy się obchodzić maksymalnie ostrożnie, ponieważ są one ostre. Urządzenia można używać do siekania mięsa, warzyw lub owoców, wyrabiania ciasta, ubijania, szatkowania, krojenia, tarcia i rozdrabniania warzyw lub ziemniaków, miksowania zup, sosów, kremów, przecierów owocowych, mleka itp. przy użyciu różnych akcesoriów przeznaczonych do wykonywania poszczególnych zadań.

UŻYTKOWANIE

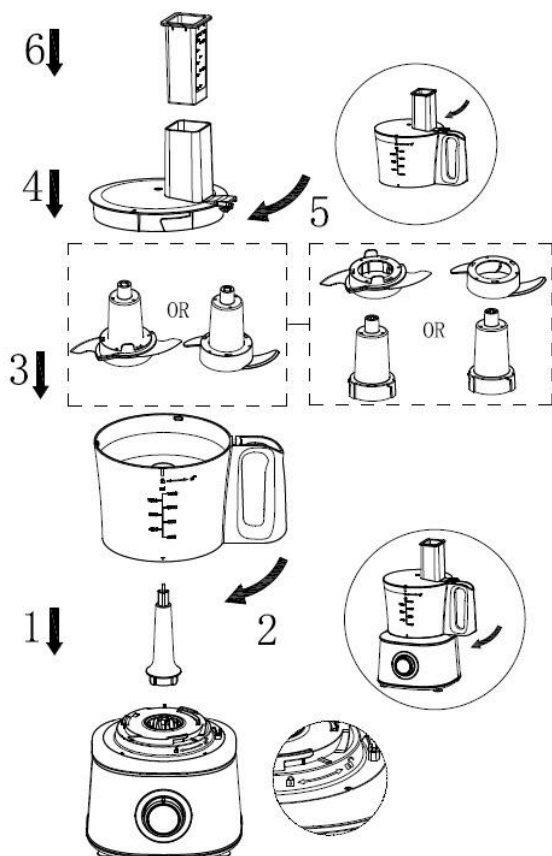
- Przed przetworzeniem składników odczekaj, aż ostygną do temperatury pokojowej.
- Przed użyciem złóż urządzenie zgodnie z poniższymi ilustracjami.
- Po złożeniu i dodaniu składników podłącz wtyczkę do sieci. Przekręć pokrętko sterowania zgodnie z ruchem wskazówek zegara, by wybrać ustawienie żądanej prędkości.
Prędkość pulsacji: obróć pokrętko sterowania w kierunku przeciwnym do ruchu wskazówek zegara i przytrzymaj, by uzyskać prędkość pulsacji - większą prędkość. Zwolnienie pokrętko spowoduje wyłączenie urządzenia.
- Po użyciu należy odłączyć urządzenie od zasilania.

UWAGA: Urządzenie jest wyposażone w blokadę bezpieczeństwa. Możesz włączyć urządzenie tylko po poprawnym złożeniu jednej z następujących części na korpusie: miska robota kuchennego oraz jej pokrywa, młynek, miska blendera oraz pokrywa, miska robota kuchennego i wyciskarka do soku.

STOSOWANIE OSTRZA NOŻA

Urządzenie wyposażone jest w dwa ostrza noża (ostrze z nierdzewnej stali oraz plastikowe).

1. Złóż urządzenie w następującej kolejności.
2. Upewnij się, że miska robota kuchennego w kroku 2 oraz pokrywa w kroku 5 są poprawnie zablokowane, w przeciwnym razie urządzenie nie będzie działać.
3. W kroku 3 możesz wybrać żądane ostrze noża: ze stali nierdzewnej lub plastikowe. Upewnij się, że jest poprawnie zamocowane na wałku.
4. Po zakończeniu pracy możesz rozłożyć urządzenie w odwrotnej kolejności i kierunku.
5. Otwórz pokrywę tylko po całkowitym zatrzymaniu się ostrza.



Ostrze noża ze stali nierdzewnej:

- Przed przystąpieniem do użycia robota, produkty spożywcze należy pokroić na małe kawałki, np. w przypadku wołowiny na kostkę o wymiarach 2cm*2cm*6cm. Włożyć przygotowane produkty do miski robota.
- Podczas siekania/rozdrabniania można dodawać produkty przez komin i popychać popychaczem, nigdy natomiast nie wolno używać innych produktów spożywczych lub palców do popychania produktów w dół.
- Aby uzyskać najlepsze rezultaty rozdrabniania: **używaj prędkości pulsacji.**
 - **Substancje twarde:** suszone owoce i warzywa, takie jak marchew, seler itp.
 - **Substancje miękkie:** warzywa takie jak cebula, szpinak itp.
 - **Surowe i gotowane mięso** (bez kości i pokrojone w plastry)

Ostrożnie: całkowity czas pracy urządzenia nie może przekroczyć 90 sekund. Maksymalna ilość produktów spożywczych wynosi 400 g.

- Maksymalny czas pracy podczas jednego cyklu nie może przekroczyć 30 sekund. Między dwoma kolejnymi cyklami należy zachować odstęp wynoszący co najmniej 2 minuty. Po trzech cyklach pracy urządzenie musi mieć przerwę na ostygnięcie wynoszącą co najmniej 30 minut.

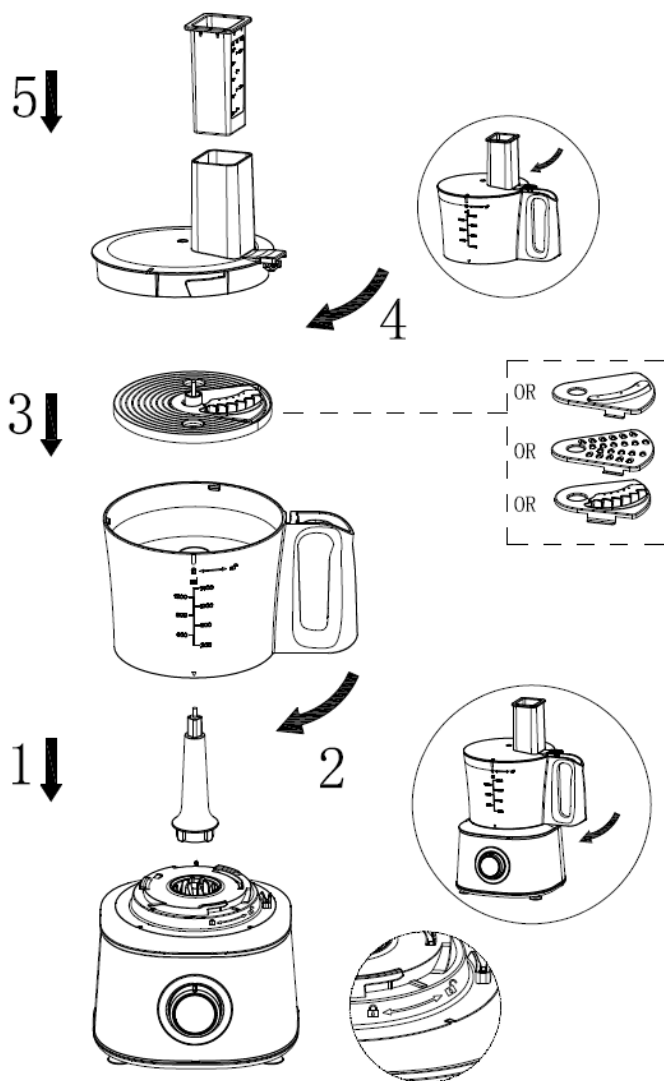
Plastikowe ostrze noża:

- Wsypać mąkę do miski. Maksymalna ilość mąki wynosi 375 g.
- Dodać przez komin łyżkę stołową oleju. Przekręcić pokrętkę sterującą w pozycję „2”. Następnie powoli, przez 20 s, dolewać przez komin wodę. Maksymalna ilość wody wynosi 225 g.
- Uwaga: Proporcja mąki do wody wynosi 5:3; łączna ilość mąki i wody nie powinna przekraczać 600 g.
- Jeśli prędkość pracy robota spadnie, należy dodać nieco więcej wody, aby zapewnić płynną pracę silnika, inaczej może dojść do jego uszkodzenia. W czasie wyrabiania ciasta/mieszania, aby uniknąć wstrząsów, należy dociskać wieczko jedną ręką, a drugą przytrzymywać uchwyt.
- Wyłączyć urządzenie, gdy tylko ciasto zacznie ubijać się w kulę.
- Odłączyć urządzenie od zasilania, zdjąć wieczko, najpierw wyjąć plastikowe ostrze noża, a następnie wyjąć ciasto.

- Maksymalny czas pracy podczas jednego cyklu nie może przekroczyć 90 sekund. Między dwoma kolejnymi cyklami należy zachować odstęp wynoszący co najmniej 2 minuty. Po trzech cyklach pracy urządzenie musi mieć przerwę na ostygnięcie wynoszącą co najmniej 30 minut.

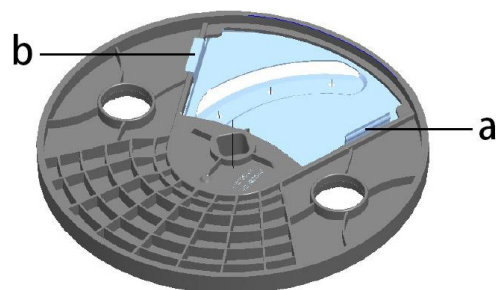
UŻYWANIE TARCZY DO TRZYMANIA OSTRZA

1. Złóż urządzenie w następującej kolejności:
2. Upewnij się, że miska robota kuchennego w kroku 2 oraz pokrywa w kroku 4 są poprawnie zablokowane, w przeciwnym razie urządzenie nie będzie działać.
3. W kroku 3 możesz wybrać żądane ostrze: ostrze do siekania, ostrze do tarcia lub ostrze do rozdrabniania. Należy je dobrze zamocować na wałku.
4. Po zakończeniu pracy możesz rozłożyć urządzenie w odwrotnej kolejności i kierunku.
5. Zawsze zachowaj ostrożność podczas manipulacji ostrza, gdyż jest bardzo ostre.
6. Otwórz pokrywę tylko po całkowitym zatrzymaniu się ostrzy.



Aby wyjąć ostrze z tarczy, należy powoli wcisnąć część (a) do środka, aby wypchnąć ostrze. Aby założyć ostrze do tarczy, należy najpierw zamocować część (b) na tarczy, a potem wcisnąć do tarczy ostrze.

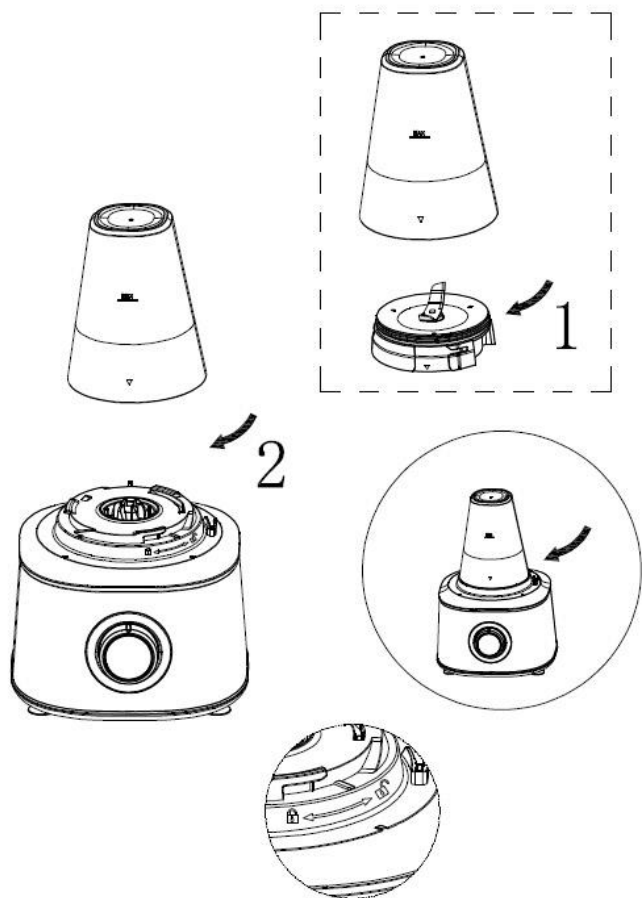
Zawsze zachowaj ostrożność podczas manipulacji ostrza, gdyż jest bardzo ostre.



- Zwracaj uwagę na linię pojemności pojemnika. Gdy produkty spożywcze znajdują się na wysokości maks. linii pojemnika, wyłącz urządzenie i wyjmij produkty.
- Włącz i popychaj równo popychaczem - nigdy nie wkładaj palców do komina. Użytkownik może pokroić/posiekać/rozdrobnić do 500 g produktów spożywczych takich jak ziemniaki, cebula, ogórki, jabłka, marchew itp.
- Aby uzyskać najlepsze rezultaty rozdrabniania: **używaj małej lub wysokiej prędkości.**
- Maksymalny czas pracy podczas jednego cyklu nie może przekroczyć 60 sekund. Między dwoma kolejnymi cyklami należy zachować odstęp wynoszący co najmniej 2 minuty. Po trzech cyklach pracy urządzenie musi mieć przerwę na ostygnięcie wynoszącą co najmniej 30 minut.

UŻYWANIE MŁYNKA

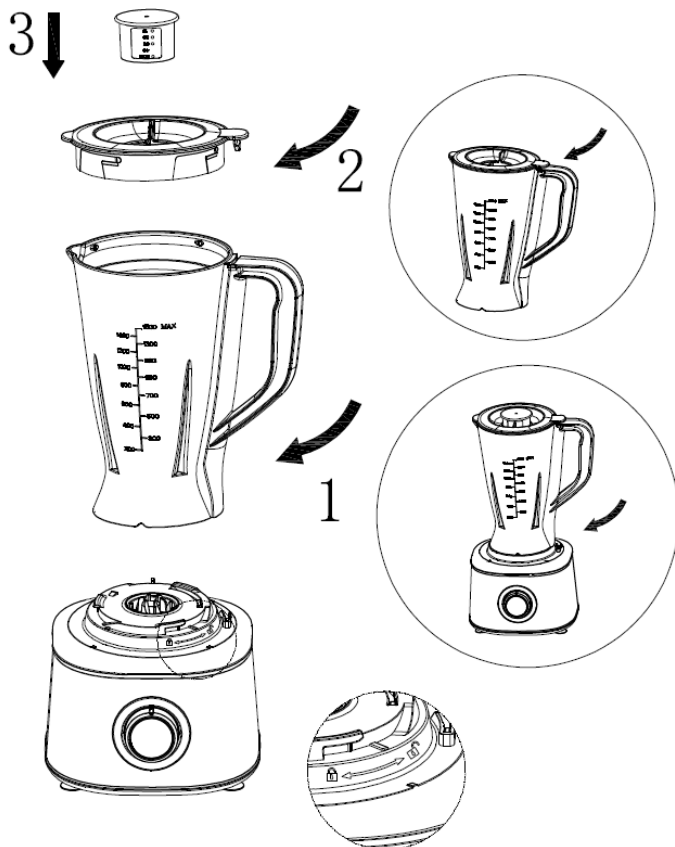
1. Złóż urządzenie w następującej kolejności:
2. Upewnij się, że pojemnik młynka jest poprawnie zamocowany w kroku 2, w przeciwnym razie urządzenie nie będzie działać.
3. Po zakończeniu pracy możesz rozłożyć urządzenie w odwrotnej kolejności i kierunku.
4. Wyjmij młynek z urządzenia tylko po całkowitym zatrzymaniu się ostrza.



- Stosuj do mielenia ziarn kawy, migdałów i podobnych produktów. Należy pamiętać, aby nie wkładać składników więcej niż do poziomu MAX oznaczonego na młynku; maksymalna ilość składników wynosi 100 g. **Uwaga:** nie używać do rozdrabniania mięsa.
- Aby uzyskać najlepsze rezultaty rozdrabniania: **używaj prędkości pulsacji.**
- Maksymalny czas pracy podczas jednego cyklu nie może przekroczyć 60 sekund. Między dwoma kolejnymi cyklami należy zachować odstęp wynoszący co najmniej 2 minuty. Po trzech cyklach pracy urządzenie musi mieć przerwę na ostygnięcie wynoszącą co najmniej 30 minut.

UŻYWANIE BLENDERA

1. Złóż urządzenie w następującej kolejności:
2. Upewnij się, że miska blendera oraz pokrywka w kroku 1 i 2 są poprawnie zablokowane, w przeciwnym razie urządzenie nie będzie działać.
3. Po zakończeniu pracy możesz rozłożyć urządzenie w odwrotnej kolejności i kierunku.
4. Zawsze zachowaj ostrożność podczas manipulacji ostrza z nierdzewnej stali, gdyż jest bardzo ostre.
5. Otwórz pokrywkę tylko po całkowitym zatrzymaniu się ostrzy.



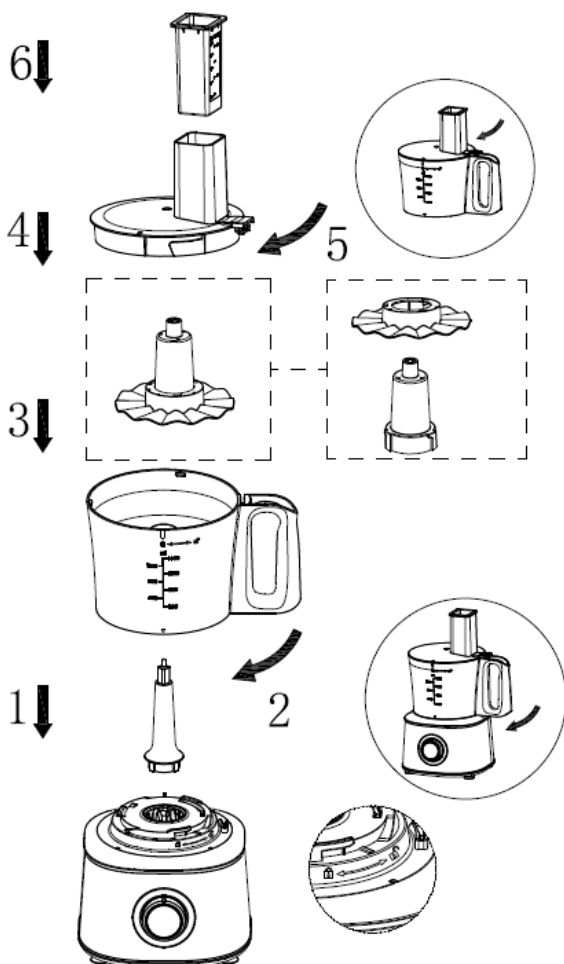
- Owoce lub warzywa należy obrać, a z owoców usunąć pestki. Następnie należy je pokroić w drobną kostkę i włożyć do miski. Zazwyczaj, aby ułatwić bezproblemowe działanie urządzenia, należy dodać pewną ilość przefiltrowanej wody. Ilość mieszanki nie powinna przekraczać maksymalnego poziomu zaznaczonego na misce blendera.

Uwaga: nigdy nie należy używać wrzących płynów ani włączać pustego urządzenia. Miski blendera nie wolno używać do rozdrabniania mięsa.

- Nigdy nie otwierać pokrywki, gdy ostrze wciąż się obraca. Przed wyjęciem pokrywki dla zwiększenia bezpieczeństwa możesz odłączyć urządzenie z sieci.
- Aby dodać płynne składniki podczas rozdrabniania wyjmij miarkę z pokrywki i wlej płyn przez otwór w pokrywce.
- Pokrój twarde składniki na małe kawałki przed rozdrabnianiem.
- W przypadku dużych ilości wkładaj małe partie składników zamiast wszystkiego jednorazowo.
- Używaj ugotowanych składników do przygotowania zupy.
- Jeśli płyn jest zbyt gorący lub pieni się (np. mleko), nie wlewaj więcej niż 1 litr do miski blendera, by uniknąć pryskania.
- Jeśli wynik nie jest zadowolający, wyłącz urządzenie i wymieszaj składniki łypatką.
- Aby uzyskać najlepsze rezultaty rozdrabniania: **używaj dużej prędkości albo prędkości pulsacji.**
- Maksymalny czas pracy podczas jednego cyklu nie może przekroczyć 120 sekund. Między dwoma kolejnymi cyklami należy zachować odstęp wynoszący co najmniej 2 minuty. Po trzech cyklach pracy urządzenie musi mieć przerwę na ostygnięcie wynoszącą co najmniej 30 minut.

UŻYWANIE TARCZY DO UBIJANIA

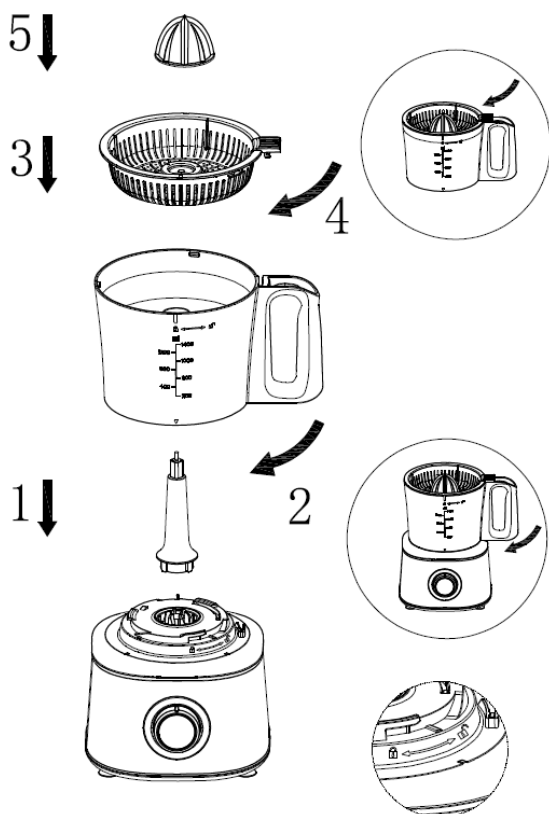
1. Złóż urządzenie w następującej kolejności:
2. Upewnij się, że miska robota kuchennego w kroku 2 oraz pokrywka w kroku 5 są poprawnie zablokowane, w przeciwnym razie urządzenie nie będzie działać.
3. Po zakończeniu pracy możesz rozłożyć urządzenie w odwrotnej kolejności i kierunku.
4. Wyjmij tarczę z urządzenia tylko po całkowitym zatrzymaniu się tarczy.



- Do ubijania białek jajek na pianę (biało z maks. 3 jajek), zaleca się używać jajek o temperaturze pokojowej. Należy pilnować, aby miska i tarcza do ubijania były suche i niezatłuszczone.
- Aby uzyskać najlepsze rezultaty rozdrabniania: **używaj wysokiej prędkości.**
- Nigdy nie należy używać tarczy do wyrabiania ciasta lub miksowania ciast.
- Maksymalny czas pracy podczas jednego cyklu nie może przekroczyć 120 sekund. Między dwoma kolejnymi cyklami należy zachować odstęp wynoszący co najmniej 2 minuty. Po trzech cyklach pracy urządzenie musi mieć przerwę na ostygnięcie wynoszącą co najmniej 30 minut.

UŻYWANIE WYCISKARKI DO CYTRUSÓW

1. Złóż urządzenie w następującej kolejności:
2. Upewnij się, że miska robota kuchennego w kroku 2 oraz wyciskarka do soku w kroku 4 są poprawnie zablokowane, w przeciwnym razie urządzenie nie będzie działać.
3. Po zakończeniu pracy możesz rozłożyć urządzenie w odwrotnej kolejności i kierunku.
4. Wyjmij wyciskarkę do cytrusów z urządzenia tylko po jej całkowitym zatrzymaniu się.





















- Użyj wyciskarki do wyciskania soku z owoców cytrusowych (np. pomarańczy).
- Aby uzyskać najlepszą skuteczność, wyciskaj pomarańcze nie tylko w pionie ale również po lewej i prawej stronie.
- Aby uzyskać najlepsze rezultaty rozdrabniania: **używaj małej prędkości.**
- Maksymalny czas pracy podczas jednego cyklu nie może przekroczyć 120 sekund. Między dwoma kolejnymi cyklami należy zachować odstęp wynoszący co najmniej 2 minuty. Po trzech cyklach pracy urządzenie musi mieć przerwę na ostygnięcie wynoszącą co najmniej 30 minut.

CZYSZCZENIE I KONSERWACJA

- Przed czyszczeniem urządzenie należy odłączyć z sieci.
- Rozmontować urządzenie. Upewnij się, że krawędzie tnące ostrzy nie dotykają twardych przedmiotów. Może to spowodować stępienie się ostrzy. Ostrza tnące są ostre. Podczas mycia należy zachować ostrożność.
- Wyczyść korpus wilgotną ściereczką. Podczas czyszczenia nigdy nie wolno zanurzać urządzenia w wodzie, ryzyko porażenia prądem. Następnie dokładnie wysuszyć. Należy dopilnować, aby na zamknięciu nie było żadnych kawałków produktów spożywczych.
- Wyczyść pozostałe części w wodzie z dodatkiem mydła (<60°C). Wyflukać i wysuszyć.
- Za wyjątkiem korpusu wszystkie pozostałe części można myć w zmywarce do naczyń w temperaturze wody poniżej 60°C i nie dłużej niż 45 minut.
- To urządzenie należy przechowywać w suchym miejscu.

Uwaga:

- Niektóre produkty spożywcze mogą odbarwić tarczę (w przypadku szatkowania/siekania/rozdrabniania). Jest to normalne zjawisko, które nie powoduje uszkodzenia plastiku ani nie wpływa na smak żywności. W celu usunięcia przebarwień element należy przetrzeć szmatką nasączoną olejem roślinnym.
- Aby szybko wyczyścić urządzenie po zakończeniu siekania/miksowania, można wlać trochę wody do miski robota kuchennego/blendera, a następnie przekręcić i przez kilka sekund przytrzymać pokrętko sterowania w pozycji „P”.

							
	✓	✓	✗		✓	✓	✓
	✓	✓	✗		✓	✓	✓
	✓	✓	✓		✓	✓	✗
	✓	✓	✗		✓	✓	✓
	✓	✓	✗		✓	✓	✗
	✗	✗	✓		✓	✓	✓

DANE TECHNICZNE

Napięcie robocze: 220-240V ~ 50-60Hz

Moc: 1000W


GWARANCJA I SERWIS KONSUMENCKI

Przed dostarczeniem do klienta nasze urządzenia poddawane są rygorystycznej kontroli jakości. Jeśli, pomimo wszelkich starań, podczas produkcji lub transportu pojawi się uszkodzenie, należy zwrócić urządzenie do sprzedawcy.

Dla każdego zakupionego urządzenia zapewniamy 2 lata gwarancji, poczynając od dnia zakupu. Uszkodzony produkt można zwrócić bezpośrednio w punkcie zakupu.

Niniejsza gwarancja nie obejmuje uszkodzeń spowodowanych niewłaściwą obsługą urządzenia, usterek w wyniku modyfikacji i napraw wykonanych przez strony trzecie lub w wyniku użycia nieoryginalnych części. Należy zachować dowód zakupu, który jest jedyną podstawą złożenia roszczenia gwarancyjnego. Producent nie ponosi odpowiedzialności za uszkodzenia powstałe w wyniku nieprzestrzegania instrukcji obsługi. Powoduje to unieważnienie gwarancji. Producent nie ponosi odpowiedzialności za szkody materiałowe ani obrażenia ciała spowodowane niewłaściwą obsługą urządzenia i nieprzestrzeganiem instrukcji obsługi. Uszkodzenie akcesoriów nie oznacza bezpłatnej wymiany całego urządzenia. W takim wypadku prosimy o kontakt z naszym serwisem. Stłuczone elementy szklane lub pęknięte elementy plastikowe są wymieniane za opłatą. Uszkodzenia materiałów eksploatacyjnych lub części podlegających zużyciu, a także czyszczenie, konserwacja i wymiana wspomnianych części nie jest objęta gwarancją i podlega opłacie.



Symbol przekreślonego kołowego kontenera na odpady oznacza, że tego produktu nie można wyrzucać wraz z innymi odpadami gospodarstwa domowego. Ze względu na obecność niebezpiecznych substancji, mieszanin lub części składowych urządzenia elektryczne i elektroniczne,  niepodlegające procesowi selektywnego sortowania są potencjalnie niebezpieczne dla środowiska i zdrowia ludzi. Produkt należy zutylizować w sposób odpowiedzialny w zatwierdzonym zakładzie utylizacji odpadów lub recyklingu.

Wyprodukowane przez: Emerio B.V.

Oudeweg 115, 2031 CC Haarlem, The Netherlands