

emerio®

MW-112141.4



Microwave (EN)

Mikrowelle (DE)

Four á mirco-ondes (FR)

Magnetron (NL)

CE

Content – Inhalt – Teneur – Inhoud

Instruction manual – English	- 2 -
Bedienungsanleitung – German	- 14 -
Mode d'emploi – French	- 28 -
Gebruiksaanwijzing – Dutch	- 42 -

IMPORTANT SAFETY INSTRUCTIONS

READ CAREFULLY AND KEEP FOR FUTURE REFERENCE

The following basic precautions should always be followed when using electrical appliance:

1. This appliance can be used by children aged from 8 years and above and persons with reduced physical, sensory or mental capabilities or lack of experience and knowledge if they have been given supervision or instruction concerning use of the appliance in a safe way and understand the hazards involved.
2. Children shall not play with the appliance.
3. Cleaning and user maintenance shall not be made by children unless they are aged from 8 years and supervised.
4. Keep the appliance and its cord out of reach of children less than 8 years.
5. If the supply cord is damaged, it must be replaced by the manufacturer, its service agent or similarly qualified persons in order to avoid a hazard.
6. This appliance is intended to be used in household and similar application such as: staff kitchen areas in shops, offices and other working environments; farm houses; by clients in hotels, motels and other residential type environments; bed and breakfast type environments.
7. The appliance shall not be cleaned with a steam cleaner.
8. Metallic containers for food and beverages are not allowed during microwave cooking.
9. Before inserting the plug into the mains socket, please check that the voltage and frequency comply with the specifications on the rating label.
10. **WARNING:** If the door or door seals are damaged, the oven must not be operated until it has been repaired by a competent person.
11. **WARNING:** It is hazardous for anyone other than a competent person to carry out any service or repair

operation that involves the removal of a cover which gives protection against exposure to microwave energy.

12. WARNING: Liquids and other foods must not be heated in sealed containers since they are liable to explode.
13. The microwave oven is intended to be used freestanding and shall not be placed in a cabinet.
14. WARNING: When the appliance is operated in the combination mode, children should only use the oven under adult supervision due to the temperatures generated.
15. Care should be taken not to displace the turntable when removing containers from the appliance.
16. The microwave oven is intended for heating food and beverages. Drying of food or clothing and heating of warming pads, slippers, sponges, damp cloth and similar may lead to risk of injury, ignition or fire.
17. Only use utensils that are suitable for use in microwave ovens.
18. When heating food in plastic or paper containers, keep an eye on the oven due to the possibility of ignition.
19. If smoke is emitted, switch off or unplug the appliance and keep the door closed in order to stifle any flames.
20. Microwave heating of beverages can result in delayed eruptive boiling, therefore care must be taken when handling the container.
21. The contents of feeding bottles and baby food jars shall be stirred or shaken and the temperature checked before consumption, in order to avoid burns.
22. Eggs in their shell and whole hard-boiled eggs should not be heated in microwave ovens since they may explode, even after microwave heating has ended.
23. The oven should be cleaned regularly and any food deposits removed.
24. Failure to maintain the oven in a clean condition could lead to deterioration of the surface that could adversely affect

the life of the appliance and possibly result in a hazardous situation.

25. To reduce the risk of fire in the microwave oven cavity:
 - Do not overcook the food.
 - Remove wire twist-ties from paper or plastic bags before placing bags in the microwave oven.
 - Do not heat oil or fat for deep frying as the temperature of oil cannot be controlled.
 - After use wipe the waveguide cover with a damp cloth, followed by dry cloth to remove any food splashes and grease. Built-up grease may overheat and begin to cause smoke or catch fire.
 - If materials inside the microwave oven should smoke or ignite, keep microwave oven door closed, turn off the microwave oven and disconnect the power supply.
 - Close supervision is necessary when using disposable containers made from plastic, paper or other combustible material.
26. To reduce the risk of explosion and sudden boiling:
 - Do not place sealed containers in the microwave oven. Baby bottles fitted with a screw cap or teat are considered to be sealed containers.
 - When boiling liquid in the microwave oven, use the wide-mouthed container and let it stand about 20 seconds at the end of cooking to avoid delayed eruptive boiling of liquids.
 - Potatoes, sausage and chestnut should be peeled or pierced before cooking.
27. After cooking, the container is very hot. Using gloves to take out the food and avoid steam burns by directing steam away from the face and hands.
28. Slowly lift the furthest edge of dishes cover and microwave plastic wrap and carefully open popcorn and oven cooking bags away from the face.
29. To prevent the turntable from breaking:
 - Let the turntable cool down before cleaning.

- . Do not place hot foods or utensils on the cold turntable.
 - . Do not place frozen foods or utensils on the hot turntable.
30. Make sure the utensils do not touch the interior walls during cooking.
 31. Do not store food or any other things inside the microwave oven.
 32. Do not operate the microwave oven without any liquid or food inside the microwave oven. This would do damage the microwave oven.
 33. Any accessories not recommended by the manufacturer may cause injuries to person.
 34. Do not use outdoors.
 35. The machine should not be operated by means of an external timer-switch or by means of a separate system with remote control.



36.  Caution, hot surface.

WARNING!! Please do not touch surface while in use. The temperature of accessible surfaces may be high when the appliance is operating.

37. Regarding the instructions for cleaning the surfaces which come in contact with food, please refer to the paragraph “cleaning and maintenance” of the manual.
38. Do not place the appliance in a cabinet. See the instructions for installation for how to install the appliance.
39. This is group 2 class B appliance.
This appliance is group 2 as it intentionally generate radio-frequency energy for heating food or stuff.
This appliance is class B as it is suitable for use in locations in residential environments and in establishments directly connected to a low voltage power supply network which supplies buildings used for domestic purposes.

OPERATION THEORY OF MICROWAVE OVEN

- Microwave is a kind of high frequency electromagnetic wave, which is commonly distributed in the nature. But the existing form of microwave is dispersed so that it cannot be collected together for heating purpose. The key component of magnetron of microwave oven will transform the energy of electricity to microwave and huge energy of microwave field is established under the closed cavity. So the molecule of food is caused to vibrate at very high speed and the friction heat produced will cook the food in a fast way.
- There are 3 properties of microwave, that is:
 - Absorbability, the microwave can cause the excess vibration of molecule of various foods so as to obtain the heating purpose. But the infiltration ability is largely depending on the size, thickness and properties of the food.
 - Penetrability, microwave can penetrate through ceramics, glass, temperature-resistant plastics. It is required to use the containers whose material have good microwave penetrability to achieve best heating result. See the below utensils guide.
 - Reflectivity, microwave would be reflected by the metal wall of interior cavity so as to establish an even magnetic field, thus can prevent the overheating of partial area.

INSTALLATION OF MICROWAVE OVEN

- To ensure sufficient ventilation, the distance of the back of microwave to the wall should be at least 10 cm, the side to the wall should be at least 5cm, the free distance above the top surface at least 20 cm, the distance to the ground should be at least 85 cm.
- Do not place any objects on the top of microwave oven.
- The position of the oven shall be such that it is far from the TV, Radio or antenna as picture disturbance or noise may occur. The distance should be more than 5m.
- The appliance must be positioned so that the plug is accessible.
- The microwave oven is intended to be used freestanding and shall not be placed in a cabinet.

UTENSILS GUIDELINE

Before use, check those utensils are suitable for use in microwave oven. Take the reference of below table.

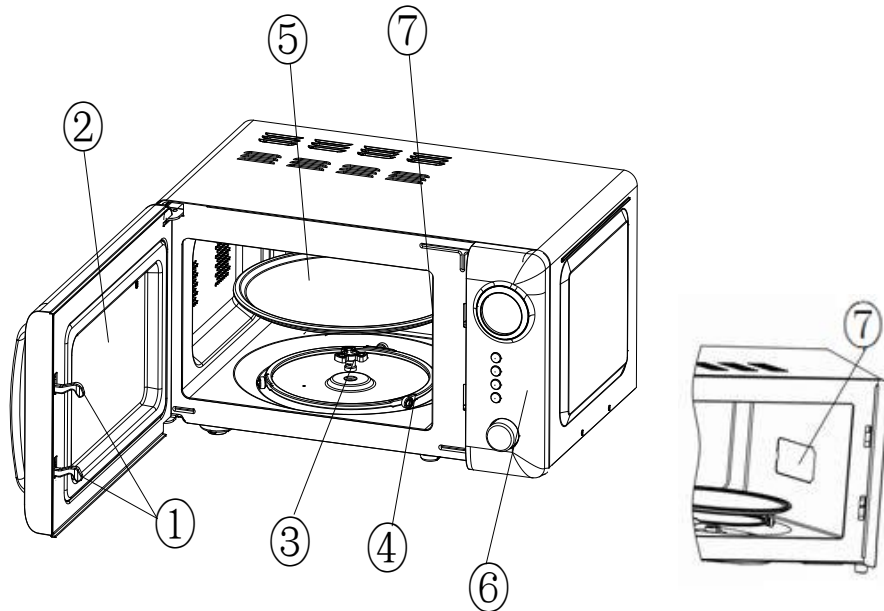
Material of container	Microwave	Notes
Heat-resistant ceramic	Yes	Never use the ceramics which are decorated with metal rim or glazed
Heat-resistant plastic	Yes	Cannot be used for long time microwave cooking
Heat-resistant glass	Yes	
Plastic film	Yes	It should not be used when cooking meat or chops as the over-temperature may do damage to the film
Grill rack	No	
Metal container	No	It should not be used in a microwave oven. Microwave cannot penetrate through metal.
lacquer	No	Poor heat-resistant. Cannot be used for High-temperature cooking
Bamboo wood and paper	No	Poor heat-resistant. Cannot be used for High-temperature cooking

FOR THE FIRST USE

As there is manufacturing residue or oil remained on the oven cavity or heat element, it usually gives some odour, even a slight smoke, it is normal and would not occur after several times use, keep a door or window open to ensure good ventilation.

It is strongly recommended to operate as follows: place a cup of water in the turntable and set at high power and operate for several times.

PRODUCT INTRODUCTION



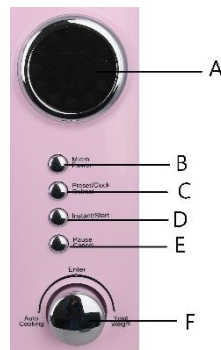
1. **Door interlock** ensures that microwave oven can only be activated when the door is properly closed.
2. **Viewing Window** cooking status can be viewed through metal mesh.
3. **Rotating axis** the glass turntable sits on the axis; the motor underneath drives the turntable to rotate.
4. **Rotating ring** supporting the glass turntable
5. **Glass turntable** it turns to make food heated evenly when cooking, recommend using it when cooking.
6. **Control panel** see below in details (the control panel is subject to change without prior notice)
7. **Waveguide cover (do not remove)** protect the waveguide box from splashes of food.

Caution:

Place the rotating ring first. Fit the glass turntable onto the rotating axis and make sure it is geared properly.

CONTROL PANEL

- A. Digital display
- B. Micro power
- C. Preset/clock/defrost button
- D. Instant/start button
- E. Pause /cancel button
- F. Auto cooking/enter/time or weight button



OPERATION

1. Before cooking

The LED will flash 3 times when plugged in power supply. Then it will flash “:” prompting you input the cooking menu and time.

2. Quick start

When plug in, if you want a quick start. You can press “Instant/start” button once, the appliance will start working with default (micro power: 100p; time: 1 minute).

3. Auto reminder

When the preset cooking procedure have finished, the LED Display will show **End** and three beep sound will be heard to prompt you to take out food. If you do not press “Pause/Cancel” button or open the door, the beeps will be sounded at an interval of 3 minutes.

4. Pause/cancel

At the initial or input stage: press “Pause/Cancel” button once to cancel input programs and resume initial stage. During cooking: press “Pause/Cancel” button once to stop microwave oven operation, press twice to cancel cooking programs.

5. Microwave cooking

Press “Micro Power” button consecutively, LED will cycle to show: 100P, 80P...20P

100P	High power 700W	100% microwave power. Applicable for quick and thorough cooking
80P	Medium High power 550W	80% microwave power. Applicable for medium express cooking
60P	Medium power 424W	60% microwave power. Applicable for steaming food
40P	Medium Low power 275W	40% microwave power. Applicable for defrosting food
20P	Low power 148W	20% microwave power. Applicable for keeping warm

NOTE:

- 1) The max time which can be set is 60 minutes.
- 2) Never operate the microwave oven empty.
- 3) At the maximum microwave power, the microwave oven will automatically lower the power after a certain time of cooking to lengthen the service life.
- 4) If you turn over the food during operation, press the “Instant/Start” button once and the preset cooking procedure will continue.
- 5) If you intend to remove the food before the preset time, you must press “Pause/Cancel” button once to clear the preset procedure to avoid unintended operation of next time use.
- 6) It is recommended to wear gloves when removing the cooked food from microwave oven and be careful do not touch the heat element on the top of cavity.

Example: To cook at 80P for 10 minutes.		
Steps		Display
1	After power-up, the colon flashes.	:
2	Select the desired microwave power by pressing “Micro Power” button consecutively.	80P
3	Set cooking time by turning “Auto Cooking/ Enter/Time. Weight” knob.	10:00
4	Press “Instant/Start” button to start cooking, and LED will count down to show running time.	

6. DEFROST

This function use for defrost food; Press the “Preset/Clock.Defrost” button consecutively and the LED display will cycle to show d.1-d.2-d.3.

d.1	For defrosting meat, the weight range from 0.1 to 2.0 kg.
d.2	For defrosting poultry, the weight range from 0.2 to 3.0kg.
d.3	For defrosting seafood, the weight range from 0.1 to 0.9kg.

NOTE:

- 1) It is necessary to turn over the food during operation to obtain uniform effect.
- 2) Usually defrosting will need longer time than that of cooking food.
- 3) If the food can be cut by knife, the defrosting process can be considered completed.
- 4) Microwave penetrates around 4cm into most of food.
- 5) Defrosted food should be consumed as soon as possible, it is not advised to put back to fridge and freeze again.

Example: To defrost 0.4kg poultry		
Steps		Display
1	After power-up, the colon flashes	:
2	Press "Preset /Clock. Defrost" button to set the food kind.	d.2
3	Turn "Auto cooking/Enter/Time. Weight" knob to set the defrost weight	0.4
4	Start cooking by pressing "Instant/Start" button	
5	In half way during defrosting 3 beep sound will be heard to prompt you turn over the food. Open the door and turn over the food. Then close the door. Press "Instant /Start" button again to continue defrosting	

7. AUTO COOKING

The microwave oven has default cooking menu for simple operation. When LED flashes colon, turn "Auto cooking/Enter/Time. Weight" knob and LED will cycle to show A-01, A-02 A-12. Press the knob to set the desired menu, then turn the button again to set the cooking weight.

Choose the appropriate menu according to the food type and weight and strictly observe the directions in below table, otherwise the cooking effect will be largely influenced.

Display	Kind	Weight
A-01	Popcorn	All together there are two choices (3.0Oz and 3.5Oz)
A-02	Potato	All together there are two choices (0.45Kg and 0.65Kg)
A-03	Vegetable	All together there are five choices (0.1, 0.2-----0.5Kg)
A-04	Meat	All together there are six choices (0.2, 0.3-----0.7Kg)
A-05	Fish	All together there are six choices (0.2, 0.3-----0.7Kg)
A-06	Chicken	All together there are six choices (0.2, 0.3-----0.7Kg)
A-07	Reheat	All together there are five choices (0.2, 0.4-----1.0Kg)
A-08	Beverage	All together there are two choices (250MI and 500MI)
A-09	Rice	All together there are five choices (0.1, 0.2-----0.5Kg)
A-10	Pasta	All together there are five choices (0.1, 0.2-----0.5Kg)
A-11	Bread	All together there are five choices (0.1, 0.2-----0.5Kg)
A-12	Pizza	All together there are two choices (1 share and 2 share)

Note:

- 1) The temperature of food before cooking would be 20-25°C. Higher or lower temperature of the food before cooking would require increase or decrease of cooking time.
- 2) The temperature, weight and shape of food will largely influence the cooking effect. If any deviation has been found to the factor noted on above menu, you can adjust the cooking time for best result.

Example: Steam 0.4kg fish		
Steps		Display
1	After power-up, the colon flashes	:
2	Turn "Auto Cooking/Enter/Time. Weight" knob to choose the desired cooking menu	A-05
3	Press "Auto Cooking/Enter/Time. Weight" knob to affirm	A-05
4	Turn "Auto Cooking/Enter/Time. Weight" knob to set the weight	0.4

5	Start cooking by pressing “Instant/Start” button	
---	--	--

8. Clock setting

With “Preset /Clock. Defrost” button, you can input current or preset time when “:” flashes onto LED display after plugged in, or try to skip it over to continue if unnecessary.

Example: to set 12:30		
Steps		Display
1	After power-up, the colon flashes	:
2	Hold “Preset/Clock.Defrost” button for three seconds	0:00
3	Set hours by turning “Auto Cooking/Enter/Time. Weight” knob	12:00
4	Press “Preset/Clock.Defrost” button again to confirm hours	12:00
5	Set minutes by turning “Auto Cooking/Enter/Time. Weight” knob	12:30
6	Press “Preset/Clock.Defrost” button once or waiting for 5 seconds, and the numbers will go steady.	12:30

9. Automatic starting (delayed function)

If you do not want the menu be started immediately, you can preset the cooking menu and time and the preset menu will be automatically started at your set time. The setting will consist of 3 steps:

- 1) Set the current clock;
- 2) Set the cooking menu and time;
- 3) Set the time you expect to start.

Example: Now it is 12:30 Clock, if you hope that the microwave oven will automatically start cooking with 100P microwave power for 9 minutes and 30 seconds at 14:20		
Steps		Display
1	After power-up, the colon flashes	:
1.1	Hold “Preset/Clock.Defrost” button for three seconds	0:00
1.2	Set hours by turning “Auto Cooking/Enter/Time. Weight” knob	12:00
1.3	Press “Preset/Clock.Defrost” button again to confirm hours	12:00
1.4	Set minutes by turning “Auto Cooking/Enter/Time. Weight” knob	12:30
1.5	Press “Preset/Clock.Defrost” button once or waiting for 5 seconds, and the numbers will go steady.	12:30
2	Set the cooking menu and time	
2.1	Select cooking power by pressing “Micro Power” button	100P
2.2	Turn “Auto Cooking/Enter/Time. Weight” knob to set cooking time	9:30
3	Press and hold “Preset/Clock.Defrost” button for 3 seconds to return to current clock	12:30
3.1	Set the time you expect to start. Repeat the steps of 1.2, 1.3, 1.4	14:20
4	Press “Preset/Clock.Defrost” button to confirm the delayed menu. Now the program has been activated. And the menu will be started at 14:20.	
5	You may check the preset starting time by pressing “Preset/Clock.Defrost” button.	

Note:

If you want to start the set program immediately without waiting, just press “Instant/Start” button; if “Automatic starting” need to be cancelled, press “Pause/Cancel” button.

10. Multi-sequence cooking

To obtain best cooking result, some recipes call for different cook mode and time. You may program your personalized menu as follow:

Example: You want cook food with 100P microwave for 3 minutes then 20P for 9 minutes. This is 2 sequence setting.		
Steps		Display
1	100P microwave for 3min	
1.1	Press “Micro Power” button to select power level.	100P
1.2	Turn “Auto Cooking/Enter/Time. Weight” knob to set cooking time.	3:00
2	20P for 9min	
2.1	Press “Micro Power” button to select power level	20P
2.2	Turn “Auto Cooking/Enter/Time. Weight” knob to set cooking time.	9:00
3	Start cooking by pressing “Instant/Start” button	

Note:

- 1) When 100 power cooking is finished, microwave oven will begin next operation automatically.
- 2) Max 4 sequences can be set per time, repeat the steps.

11. Child lock function

Use this feature to lock the control panel when you are cleaning or so that children can not use the microwave oven unsupervised. All the buttons are rendered inoperable in this mode.

To set child lock, depress and hold “Pause/Cancel” button about 3 seconds until LED appears OFF.

To cancel child lock, depress and hold “Pause/Cancel” button about 3 seconds until OFF disappears.

CLEANING AND MAINTENANCE

The microwave oven should be cleaned regularly and any food deposits removed.

Suggest you perform below steps after every time use.

Never use hard detergent, gasoline, abrasive powder or metal brush to clean any part of the appliance.

Clean the microwave oven at regular intervals.

Disconnect the power supply cord before cleaning. And if possible leave the door open to inactive the microwave oven during cleaning.

Exterior:

The outside may be cleaned wipe with a soft and damp cloth. Avoid the use of harsh abrasive cleaners.

Door:

Wipe the door and window on sides, the door seals and adjacent parts frequently with a soft and damp cloth to remove any spills or spatters. Do not use abrasive cleaners.

Control panel:

Care should be taken in cleaning the control panel. Wipe the panel with a soft cloth dampened slightly. Do not scrub or use any sort of chemical cleaners.

Interior walls:

To clean the interior surfaces, wipe with a soft and damp cloth for hygienic reasons. After use wipe the waveguide cover in the microwave oven with a soft damp cloth to remove any food splashed. Buildup splashes may overheat and begin to smoke or catch fire. Do not remove the waveguide cover. Do not use a commercial microwave oven cleaner, abrasive or harsh cleaners and scouring pads on any part of your microwave oven. Never spray microwave oven cleaners directly onto any part of your microwave oven.

Turntable /Rotating ring/Rotating axis:

After cooling down, Wash with mild soapy water and dry thoroughly.

Tip:

When the microwave oven has been used for a long time, there may be some strange odors exist in microwave

oven, following 3 methods can get rid of them .1. Place several lemon slices in a cup, the heat with high power for 2-3 minutes. 2. Place a cup of red tea in the microwave oven, then heat with high power. 3. Put some orange peel into the microwave oven, and then heat them with high power for 1 minute.

Servicing

Warning: it is hazardous for anyone, other than a qualified service technician, to carry out any service or repair operation which involves removal of any cover which gives protection against exposure to microwave energy.

Caution: MICROWAVE RADIATION

Warning:

Do not become exposed to radiation from the microwave generator or other parts conducting microwave energy. The high voltage capacitor remains charge after disconnection; short the negative terminal of H. V capacitor to the microwave oven chassis (use a screwdriver) to discharge before touching.

During servicing below listed parts are liable to be removed and give access to potentials above 250V to earth.

- Magnetron
- High voltage transformer
- High voltage capacitor
- High voltage Diode
- High voltage fuse

Below listed condition may cause undue microwave exposure during servicing.

- Improper fitting of magnetron.
- Improper matching of Door interlock, Door hinge and Door.
- Improper fitting of switch support.
- Door, Door seal or enclosure has been damaged.

TECHNICAL DATA

Operating voltage: 230V ~ 50Hz

Input power (microwave): 1150W

Microwave output power: 700W

Microwave frequency: 2450 MHz

GUARANTEE AND CUSTOMER SERVICE

Before delivery our devices are subjected to rigorous quality control. If, despite all care, damage has occurred during production or transportation, please return the device to your dealer. In addition to statutory legal rights, the purchaser has an option to claim under the terms of the following guarantee:

For the purchased device we provide 2 years guarantee, commencing from the day of sale. If you have a defective product, you can directly go back to the point of purchase.

Defects which arise due to improper handling of the device and malfunctions due to interventions and repairs by third parties or the fitting of non-original parts are not covered by this guarantee. Always keep your receipt, without the receipt you can't claim any form of warranty. Damage caused by not following the instruction manual, will lead to a void of warranty, if this results in consequential damages then we will not be liable. Neither can we hold responsible for material damage or personal injury caused by improper use if the instruction manual is not properly executed. Damage to accessories does not mean free replacement of the whole appliance. In such case please contact our service department. Broken glass or breakage of plastic parts is always subject to a charge. Defects to consumables or parts subjected to wearing, as well as cleaning, maintenance or the replacement of said parts are not covered by the warranty and are to be paid.

ENVIRONMENT FRIENDLY DISPOSAL



Recycling – European Directive 2012/19/EU

This marking indicates that this product should not be disposed with other household wastes. To prevent possible harm to the environment or human health from uncontrolled waste disposal, recycle it responsibly to promote the sustainable reuse of material resources. To return your used device, please use the return and collection systems or contact the retailer where the product was purchased. They can take this product for environmental safe recycling.

Emerio B.V.
Oudeweg 115
2031 CC Haarlem
The Netherlands

Customer service:
T: +31 (0) 23 3034369
www.emerio.eu/service

Kundeninformation:
T: +49 (0) 3222 1097 600
www.emerio.eu/service

Klantenservice:
T: +31 (0) 23 3034369
www.emerio.eu/service

WICHTIGE SICHERHEITSHINWEISE SORGFÄLTIG LESEN UND FÜR DEN ZUKÜNFTIGEN GEBRAUCH AUFBEWAHREN.

Die folgenden grundsätzlichen Sicherheitshinweise für den Gebrauch von Elektrogeräten sollten stets beachtet werden:

1. Dieses Gerät kann von Kindern ab 8 Jahren und von Personen mit eingeschränkten physischen, sensorischen oder geistigen Fähigkeiten oder ohne Erfahrung und/oder Wissen benutzt werden, wenn diese durch eine für ihre Sicherheit zuständige Person beaufsichtigt werden oder von ihr Anweisungen erhielten, wie das Gerät sicher zu benutzen ist und sie auf die Risiken aufmerksam gemacht wurden.
2. Dieses Gerät ist kein Spielzeug.
3. Reinigungs- und Instandhaltungsmaßnahmen sollten nicht von Kindern unter 8 Jahren und nicht ohne Aufsicht durchgeführt werden.
4. Bewahren Sie das Gerät und sein Netzkabel außerhalb des Zugriffs von Kindern unter 8 Jahren auf.
5. Falls das Netzkabel des Geräts beschädigt wurde, muss es vom Händler ersetzt werden. Versuchen Sie nicht, das Netzkabel selbst zu ersetzen.
6. Dieses Gerät ist dafür vorgesehen, im Haushalt und in ähnlichen Einsatzbereichen benutzt zu werden, wie zum Beispiel: Mitarbeiter-Küchenbereiche in Geschäften, Büros und anderen Arbeitsumgebungen; Bauernhöfe; die Benutzung durch Gäste in Hotels, Motels und anderen Unterkunftsarten; Frühstückspensionen.
7. Das Gerät darf nicht mit einem Dampfreiniger gereinigt werden.
8. Metallbehälter für Lebensmittel und Getränke sind während des Garens mit der Mikrowelle nicht erlaubt.

9. Bevor Sie den Stecker mit der Netzsteckdose verbinden, prüfen Sie bitte, ob die Spannung und die Frequenz mit den Angaben auf dem Typenschild übereinstimmen.
10. **WARNUNG:** Wenn die Tür oder die Türdichtungen beschädigt sind, darf der Ofen erst wieder benutzt werden, nachdem er von einer fachkundigen Person repariert worden ist.
11. **WARNUNG:** Nur eine fachkundige Person kann Wartungsarbeiten oder Reparaturen durchführen, bei denen die Abdeckung entfernt werden muss, die vor der Mikrowellenenergie schützt. Für alle anderen Personen sind diese Arbeiten gefährlich.
12. **WARNUNG:** Flüssigkeiten und andere Lebensmittel dürfen nicht in verschlossenen Behältern erhitzt werden, da diese explodieren können.
13. Der Mikrowellenofen ist so konzipiert, dass er freistehend benutzt wird und soll nicht in einen Schrank gestellt werden.
14. **WARNUNG:** Wenn das Gerät im Kombinationsmodus benutzt wird, sollten Kinder aufgrund der erzeugten Temperaturen den Ofen nur unter Aufsicht eines Erwachsenen benutzen.
15. Es ist darauf zu achten, dass der Drehteller nicht verschoben wird, wenn Behälter aus dem Gerät genommen werden.
16. Der Mikrowellenofen dient zum Erhitzen von Lebensmitteln und Getränken. Das Trocknen von Lebensmitteln oder Kleidung und Erhitzen von Wärmekissen, Hausschuhen, Schwämmen, feuchter Kleidung und dergleichen kann Verletzungen, Entflammung oder Feuer verursachen.
17. Benutzen Sie nur Utensilien, die für den Gebrauch in Mikrowellenöfen geeignet sind.
18. Wenn Sie Lebensmittel in Plastik- oder Pappbehältern erhitzen, behalten Sie den Ofen im Auge, da Entzündungsgefahr besteht.

19. Falls Rauch aus dem Ofen entweicht, schalten Sie das Gerät aus oder ziehen Sie seinen Netzstecker und halten Sie die Tür geschlossen, um etwaige Flammen zu ersticken.
20. Das Erhitzen von Getränken in der Mikrowelle kann zu einem verzögerten, plötzlichen Aufkochen führen. Seien Sie daher vorsichtig, wenn Sie den Behälter anfassen.
21. Der Inhalt von Babyflaschen und Gläsern mit Babynahrung sollte umgerührt oder geschüttelt werden und die Temperatur vor dem Verzehr geprüft werden, um Verbrennungen zu vermeiden.
22. Eier in der Schale und ganze hartgekochte Eier sollten nicht in Mikrowellenöfen erhitzt werden, da sie explodieren können, selbst nachdem das Erhitzen in der Mikrowelle beendet ist.
23. Der Ofen sollte regelmäßig gereinigt und Speisereste entfernt werden.
24. Wenn der Ofen nicht sauber gehalten wird, könnte sich die Oberfläche vorzeitig abnutzen, was wiederum die Lebensdauer des Gerätes negativ beeinflussen und zu möglicherweise gefährlichen Situationen führen kann.
25. Zur Reduzierung der Brandgefahr im Innenraum:
 - Vermeiden Sie ein Überhitzen der Nahrungsmittel.
 - Wenn Sie in Papier- oder Plastikbeutel verpackte Nahrungsmittel verwenden, entfernen Sie die Verschlüsse, bevor Sie diese in den Mikrowelle legen.
 - Erhitzen Sie weder Öl noch Frittierfett, da ein kontrolliertes Erhitzen nicht möglich ist.
 - Wischen Sie nach Gebrauch die Wellenleiterabdeckung mit einem feuchten und dann mit einem trockenen Tuch ab, um Speisereste und Fettspritzer zu entfernen. Fettansammlungen können bei Überhitzung Rauch entwickeln oder Feuer fangen.
 - Falls in der Mikrowelle befindliche Materialien anfangen zu rauchen oder sich entzünden, lassen Sie die Tür geschlossen, schalten Sie die Mikrowelle ab und ziehen Sie den Netzstecker heraus.

- Behalten Sie die Mikrowelle stets im Auge, wenn Sie Einwegbehälter aus Kunststoff, Papier oder sonstigem brennbaren Material verwenden.
26. Zur Reduzierung des Risikos einer Explosion oder von Überkochen:
- Stellen Sie keine dichten Behälter in die Mikrowelle. Dies schließt Babyflaschen mit Schraubverschluss oder Sauger mit ein.
 - Verwenden Sie zum Erhitzen von Flüssigkeiten ein weithalsiges Gefäß und warten Sie nach dem Ende des Erhitzungsvorgangs noch weitere 20 Sekunden, da es nach dem Ende des Vorgangs noch kochen könnte.
 - Kartoffeln, Würste und Esskastanien müssen vor dem Kochen geschält oder eingestochen werden.
27. Nach dem Kochvorgang ist der Behälter sehr heiß. Benutzen Sie Handschuhe, wenn Sie die Speisen herausnehmen und vermeiden Sie Verbrennungen, indem Sie verhindern, dass der Dampf an Gesicht und Hände kommt.
28. Heben Sie die Abdeckungen von Speisen oder Mikrowellen-Kunststoffschüsseln vorsichtig am äußersten Ende an. Achten Sie darauf, Popcorn- und Kochbeutel so zu öffnen, dass sie vom Gesicht wegzeigen.
29. Zur Vermeidung von Beschädigungen des Drehtellers:
- Lassen Sie den Drehteller abkühlen, bevor Sie ihn reinigen.
 - Legen Sie keine heißen Speisen oder Gegenstände auf den kalten Drehteller.
 - Legen Sie keine tiefgekühlten Speisen oder Gegenstände auf den heißen Drehteller.
30. Achten Sie darauf, dass in die Mikrowelle gestellte Speisen und Behälter während der Zubereitung nicht mit den Innenwänden in Berührung kommen.
31. Benutzen Sie die Mikrowelle nicht zur Aufbewahrung von Nahrungsmitteln oder anderen Dingen.
32. Betreiben Sie die Mikrowelle nicht ohne Flüssigkeiten oder

Nahrungsmittel im Geraum. Dies würde zu Schäden am Gerät führen.

33. Vom Hersteller nicht empfohlene Zubehörteile können zu Verletzungen führen.
34. Verwenden Sie das Gerät nicht im Freien.
35. Das Gerät darf nicht mit Hilfe einer externen Zeitschaltuhr oder eines separaten Systems mit Fernbedienung eingeschaltet werden.



36. Vorsicht – heiße oberfläche.

WARNUNG! Bitte berühren Sie während des Gebrauchs nicht die Oberfläche. Die Temperatur der zugänglichen Oberflächen kann sehr hoch sein, wenn das Gerät in Betrieb ist.

37. Beachten Sie die Anweisungen zur Reinigung von Oberflächen, die mit Lebensmittel in Kontakt kommen in dem nachfolgenden Abschnitt „REINIGUNG UND PFLEGE“.
38. Das Gerät nicht in einen Schrank stellen. Befolgen Sie die Installationsanleitungen, wie man dieses Gerät installiert.
39. Dies ist ein Gerät der Gruppe 2 Klasse B.

Dieses Gerät wird als Gruppe 2 klassifiziert, da es bestimmungsgemäß Hochfrequenzenergie zum Erhitzen von Lebensmitteln oder anderen Materialien erzeugt.

Dieses Gerät wird als Klasse B klassifiziert, weil es für die Benutzung in Wohnumgebungen und Einrichtungen, die direkt an ein öffentliches Niederspannungsnetz zur Versorgung privater Haushalte angeschlossen sind, geeignet ist.

FUNKTIONSPRINZIP VON MIKROWELLENÖFEN

- Mikrowellen sind elektromagnetische Hochfrequenzwellen, die normalerweise auf natürlichem Wege erzeugt werden. Natürliche Mikrowellen unterliegen jedoch einer so starken Streuung, dass sie nicht zu Heizzwecken gebündelt werden können. Das Herzstück eines Mikrowellenofens ist daher die Magnetfeldröhre, die elektrische Energie in Mikrowellen umwandelt, so dass im geschlossenen Garraum ein äußerst kräftiges Mikrowellenfeld entsteht. Dieses versetzt die Nahrungsmittelmoleküle in starke Schwingungen und die entstehende Reibungshitze bewirkt ein schnelles Garen der Nahrungsmittel.
- Die drei Hauptmerkmale von Mikrowellen sind:
 - Absorbierbarkeit: Mikrowellen können die Schwingungen der Moleküle in verschiedenen Nahrungsmitteln verstärken, um so die gewünschte Wärmewirkung zu erzielen. Ihre Fähigkeit, auf den Stoff einzuwirken, hängt jedoch stark von Größe, Umfang und Eigenschaften des Nahrungsmittels ab.
 - Durchdringungsfähigkeit: Mikrowellen können Keramik, Glas und temperaturbeständige Kunststoffe durchdringen. Klargestellt wird: Um gute Erhitzungswerte zu erzielen, sollten Behälter mit guter Mikrowellendurchlässigkeit verwendet werden. Siehe auch nachstehende Eignungstabelle für Kochgeschirr.
 - Reflektionsgrad: Mikrowellen werden von den Metallwänden im Ofeninnenraum reflektiert, was die Bildung eines gleichmäßigen Magnetfeldes ermöglicht. Außerdem wird so die Überhitzung einzelner Bereiche vermieden.

AUFSTELLUNG EINES MIKROWELLENOFENS

- Um eine ausreichende Belüftung zu gewährleisten, sollten folgende Abstände eingehalten werden: zwischen Ofenrückseite und Wand mindestens 10 cm, zwischen den Ofenseiten und der Wand mindestens 5 cm, freier Abstand zur Ofenoberseite mindestens 20 cm. Der Abstand zum Boden sollte mindestens 85 cm betragen.
- Stellen Sie keine Gegenstände auf dem Mikrowellenofen ab.
- Der Ofen sollte in ausreichender Entfernung zu Fernseher, Radio oder Antennen aufgestellt werden, da es sonst zu Bild- oder Tönstörungen kommen kann. Der Abstand sollte mindestens 5 m betragen.
- Das Gerät muss so aufgestellt werden, dass der Stecker gut zugänglich ist.
- Der Mikrowellenofen ist so konzipiert, dass er freistehend benutzt wird und soll nicht in einen Schrank gestellt werden.

HINWEISE ZU DEN UTENSILIEN

Prüfen Sie vor dem Gebrauch, ob die Utensilien für den Gebrauch in Mikrowellenöfen geeignet sind. Ziehen Sie die nachfolgende Tabelle zurate.

Material des Behälters	Mikrowelle	Hinweise
Hitzebeständige Keramik	Ja	Keine Keramik benutzen, die mit Metallrändern verziert oder glasiert ist.
Hitzebeständiger Kunststoff	Ja	Kann nicht über längere Zeit zum Garen mit Mikrowellenenergie benutzt werden
Hitzebeständiges Glas	Ja	
Plastikfolie	Ja	Nicht zum Garen von Fleisch, wie z. B. Koteletts, benutzen, da die hohe Temperatur die Folie beschädigen kann.
Grillrost	Nein	

Metallbehälter	Nein	Sollte nicht in einem Mikrowellenofen benutzt werden. Mikrowellen können Metall nicht durchdringen.
Lackierte Utensilien	Nein	Schlechte Hitzebeständigkeit, kann nicht zum Garen mit hohen Temperaturen benutzt werden
Bambus und Pappe	Nein	Schlechte Hitzebeständigkeit, kann nicht zum Garen mit hohen Temperaturen benutzt werden

VOR DEM ERSTGEBRAUCH

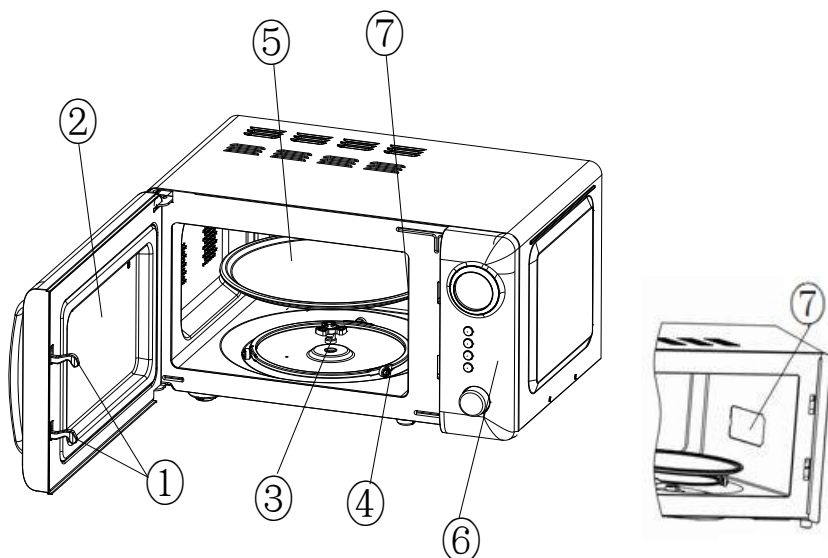
Da es möglich ist, dass sich noch Produktionsrückstände oder Öl im Innenraum oder am Heizelement befinden, kann Geruch entstehen.

Sogar leichter Rauch kann auftreten. Dies ist ein normaler Vorgang, der nach mehrmaliger Benutzung der Mikrowelle aufhört. Halten Sie die Tür oder ein Fenster geöffnet, um für eine ausreichende Belüftung zu sorgen.

Wir empfehlen dringend, folgendermaßen vorzugehen:

Stellen Sie bei einem Ofen ohne integrierte Grillfunktion eine Tasse Wasser auf den Drehteller, stellen Sie die Leistung hoch ein und schalten Sie ihn mehrere Male ein.

BESCHREIBUNG DES PRODUKTES



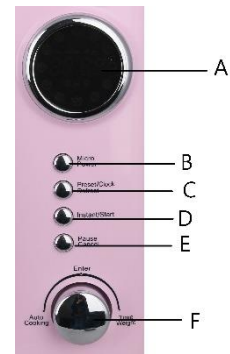
1. **Türverriegelung** – stellt sicher, dass der Mikrowellenofen nur aktiviert werden kann, wenn die Tür korrekt geschlossen ist.
2. **Sichtfenster** – durch das Metallnetz kann der Garstatus beobachtet werden.
3. **Drehvorrichtung** – der Glasdrehteller sitzt auf der Drehvorrichtung; der Motor darunter bewegt den Drehteller.
4. **Drehring** – trägt den Glasdrehteller.
5. **Glasdrehteller** – dreht sich, damit die Speisen beim Garen gleichmäßig erhitzt werden. Es empfiehlt sich, den Drehteller zum Garen zu benutzen.
6. **Bedienfeld** – in dem unten stehenden, gleichnamigen Abschnitt finden Sie ausführlichere Informationen. (Das Bedienfeld kann ohne vorherige Ankündigung geändert werden.)
7. **Wellenleiterabdeckung (nicht entfernen)** – schützt den Wellenleiterkasten vor Speisespritzern.

Vorsicht:

Legen Sie zuerst den Drehring an seinen Platz. Setzen Sie den Glasdrehteller auf die Drehvorrichtung und achten Sie darauf, dass er richtig sitzt.

BEDIENFELD

- A. Digitales Display
- B. Micro Power (Mikrowellenleistung)
- C. Preset/Clock/Defrost-Taste (Voreinstellen/Uhr/Abtauen)
- D. Instant/Start-Taste (Schnellstart/Start)
- E. Pause/Cancel-Taste (Pause/Abbrechen)
- F. Auto Cooking/Enter/Time/Weight-Drehknopf (Automatisches Garprogramm/Eingabe/Garzeit/Gewicht)



BENUTZUNG

1. Vor dem Kochen

Das LED-Display blinkt dreimal, wenn das Gerät mit der Steckdose verbunden ist. Auf dem Display blinkt „:“. Geben Sie nun das Garprogramm und die Garzeit ein.

2. Schnellstart

Wenn Sie das Gerät nach dem Anschluss an die Steckdose schnell starten möchten: Sie können einmal die „Instant/Start“-Taste drücken. Das Gerät startet mit der Standardeinstellung (Mikrowellenleistung: 100p; Garzeit: 1 Minute).

3. Automatische Erinnerung

Wenn der voreingestellte Garvorgang beendet ist, zeigt das LED-Display „End“ an und Sie hören drei Pieptöne, die Ihnen signalisieren, dass Sie nun die Speisen aus der Mikrowelle nehmen können. Wenn Sie die „Pause/Cancel“-Taste drücken oder die Tür öffnen, sind die Pieptöne in einem Intervall von 3 Minuten zu hören.

4. Pause/Abbruch

Zum Ausgangsstatus oder beim Eingeben: Drücken Sie die „Pause/Cancel“-Taste einmal, um eingegebene Programme abzubrechen und zum Ausgangsstatus zurückzukehren.

Während des Garvorgangs: Drücken Sie die „Pause/Cancel“-Taste einmal, um den Betrieb des Mikrowellenofens zu stoppen; drücken Sie zweimal, um die Garprogramme abzubrechen.

5. Mikrowellengaren

Drücken Sie die „Micro Power“-Taste mehrmals, um durch die Stufen zu zirkulieren; das LED-Display zeigt: 100P, 80P...20P

100P	Hohe Leistung 700W	100 % Mikrowellenleistung, geeignet für schnelles und gründliches Durchkochen
80P	Mittlere bis hohe Leistung 550W	80 % Mikrowellenleistung, geeignet für mittleres Schnellgaren
60P	Mittlere Leistung 424W	60 % Mikrowellenleistung, geeignet zum Dämpfen von Speisen
40P	Mittlere bis niedrige Leistung 275W	40 % Mikrowellenleistung, geeignet zum Auftauen von Speisen
20P	Niedrige Leistung 148W	20 % Mikrowellenleistung, geeignet zum Warmhalten

HINWEIS:

- 1) Die maximale Garzeit, die eingestellt werden kann, beträgt 60 Minuten.
- 2) Lassen Sie den Mikrowellenofen niemals ohne Inhalt laufen.
- 3) Bei maximaler Mikrowellenleistung wird der Mikrowellenofen automatisch nach einer gewissen Garzeit die Leistung verringern, um seine Lebensdauer zu verlängern.

- 4) Wenn Sie die Speisen während des Betriebs wenden möchten, drücken Sie die „Instant/Start“-Taste einmal, der voreingestellte Garvorgang wird dann fortgesetzt.
- 5) Wenn Sie die Speisen vor Ablauf der voreingestellten Garzeit herausnehmen möchten, müssen Sie die „Pause/Cancel“-Taste einmal drücken, um den voreingestellten Garvorgang zu löschen und einen unbeabsichtigten Betrieb bei der nächsten Benutzung zu vermeiden.
- 6) Es empfiehlt sich Handschuhe zu tragen, wenn Sie die gegarten Speisen aus dem Mikrowellenofen nehmen. Seien Sie vorsichtig und berühren Sie nicht das Heizelement an der Decke des Garraums.

Beispiel: Garen für 10 Minuten mit 80P		
Schritte		Display
1	Nach dem Einschalten blinkt der Doppelpunkt.	:
2	Die gewünschte Mikrowellenleistung durch mehrmaliges Drücken der „Micro Power“-Taste auswählen.	80P
3	„Auto Cooking/ Enter/Time/Gewicht“-Drehknopf drehen, um die Garzeit einzustellen.	10:00
4	„Instant/Start“-Taste drücken, um den Garvorgang zu starten. Das LED-Display zeigt den Countdown der Garzeit an.	

6. AUFTAUEN

Diese Funktion dient zum Auftauen von Speisen; drücken Sie mehrmals die „Preset/Clock/Defrost“-Taste. Das LED-Display zeigt nacheinander d.1-d.2-d.3. an.

d.1	Zum Auftauen von Fleisch mit einem Gewicht von 0,1 bis 2,0 kg.
d.2	Zum Auftauen von Geflügel mit einem Gewicht von 0,2 bis 3,0 kg.
d.3	Zum Auftauen von Meeresfrüchten mit einem Gewicht von 0,1 bis 0,9 kg.

HINWEIS:

- 1) Um ein gleichmäßiges Ergebnis zu erhalten, sollten Sie die Lebensmittel während des Betriebs wenden.
- 2) Das Auftauen dauert gewöhnlich länger als das Garen von Speisen.
- 3) Wenn die Lebensmittel sich mit einem Messer schneiden lassen, ist der Auftauprozess abgeschlossen.
- 4) Mikrowellen dringen ca. 4 cm in die meisten Lebensmittel ein.
- 5) Aufgetaute Lebensmittel sollten so schnell wie möglich konsumiert werden; es empfiehlt sich nicht aufgetaute Lebensmittel wieder in den Kühlschrank zu legen und erneut einzufrieren.

Beispiel: 0,4 kg Geflügel auftauen		
Schritte		Display
1	Nach dem Einschalten blinkt der Doppelpunkt	:
2	„Preset /Clock/Defrost“-Taste zum Einstellen der Art der Lebensmittel drücken.	d.2
3	„Auto cooking/Enter/Time/Weight“-Drehknopf drehen, um das Auftaugewicht einzustellen.	0,4
4	„Instant/Start“-Taste drücken, um den Garvorgang zu starten.	
5	Nach Ablauf der Hälfte der Auftauzeit ertönen drei Pieptöne. Die Lebensmittel sollten nun gewendet werden. Tür öffnen und die Lebensmittel wenden. Tür schließen. „Instant /Start“-Taste erneut drücken, um den Auftauvorgang fortzusetzen.	

7. AUTOMATISCHES GAREN

Für eine einfache Bedienung verfügt der Mikrowellenofen über voreingestellte Garprogramme. Wenn der Doppelpunkt auf dem LED-Display blinkt, drehen Sie den „Auto cooking/Enter/Time/ Weight“-Drehknopf. Das LED-Display zeigt dann nacheinander A-01, A-02 A-12 an. Drücken Sie den Drehknopf, um das gewünschte Programm einzustellen. Drehen Sie den Drehknopf dann erneut, um das Gewicht der zu garenden Speisen einzustellen.

Wählen Sie je nach Art und Gewicht der Lebensmittel das passende Programm und halten Sie sich genau an die Vorgaben in der nachfolgenden Tabelle, sonst wird das Garergebnis erheblich beeinträchtigt.

Display	Art	Gewicht
A-01	Popcorn	Es stehen zwei Optionen zur Auswahl (3,0 Oz und 3,5 Oz)
A-02	Kartoffeln	Es stehen zwei Optionen zur Auswahl (0,45 kg und 0,65 kg)
A-03	Gemüse	Es stehen fünf Optionen zur Auswahl (0,1, 0,2-----0,5 kg)
A-04	Fleisch	Es stehen sechs Optionen zur Auswahl (0,2, 0,3-----0,7 kg)
A-05	Fisch	Es stehen sechs Optionen zur Auswahl (0,2, 0,3-----0,7 kg)
A-06	Hühnerfleisch	Es stehen sechs Optionen zur Auswahl (0,2, 0,3-----0,7 kg)
A-07	Aufwärmen	Es stehen fünf Optionen zur Auswahl (0,2, 0,4-----1,0 kg)
A-08	Getränke	Es stehen zwei Optionen zur Auswahl (250 ml und 500 ml)
A-09	Reis	Es stehen fünf Optionen zur Auswahl (0,1, 0,2-----0,5 kg)
A-10	Pasta	Es stehen fünf Optionen zur Auswahl (0,1, 0,2-----0,5 kg)
A-11	Brot	Es stehen fünf Optionen zur Auswahl (0,1, 0,2-----0,5 kg)
A-12	Pizza	Es stehen zwei Optionen zur Auswahl (1 Portion und 2 Portionen)

Hinweis:

- 1) Die Temperatur der Lebensmittel vor dem Garen sollte 20 bis 25°C betragen. Wenn die Lebensmittel vor dem Garen eine höhere oder niedrigere Temperatur haben, muss die Garzeit entsprechend erhöht oder verringert werden.
- 2) Die Temperatur, Gewicht und Form der Lebensmittel haben großen Einfluss auf das Garergebnis. Bei Abweichungen von den Werten für die oben genannten Programme, können Sie die Garzeit anpassen, um das beste Ergebnis zu erzielen.

Beispiel: 0,4 kg Fisch dämpfen		
Schritte		Display
1	Nach dem Einschalten blinkt der Doppelpunkt	:
2	„Auto Cooking/Enter/Time“ Weight“-Drehknopf drehen, um das gewünschte Garprogramm auszuwählen.	A-05
3	Zur Bestätigung „Auto Cooking/Enter/Time/ Weight“-Drehknopf drücken.	A-05
4	„Auto Cooking/Enter/Time/ Weight“-Drehknopf drehen, um das Gewicht einzustellen.	0,4
5	„Instant/Start“-Taste drücken, um den Garvorgang zu starten.	

8. Uhrzeit einstellen

Mithilfe der „Preset /Clock/ Defrost“-Taste können Sie die aktuelle Uhrzeit eingeben oder eine Startzeit voreinstellen, wenn „:“ auf dem LED-Display blinkt, nachdem das Gerät mit der Steckdose verbunden wurde. Oder überspringen Sie diese Option, um fortzufahren, falls das Einstellen der Zeit nicht notwendig ist.

Beispiel: 12:30 einstellen		
Schritte		Display
1	Nach dem Einschalten blinkt der Doppelpunkt	:
2	3 Sekunden lang die „Preset/Clock/Defrost“-Taste gedrückt halten.	00:00
3	Durch Drehen des „Auto Cooking/Enter/Time/ Weight“-Drehknopfs die Stunden einstellen.	12:00
4	Zur Bestätigung der Stunden die „Preset/Clock/Defrost“-Taste erneut drücken.	12:00
5	Durch Drehen des „Auto Cooking/Enter/Time/ Weight“-Drehknopfs die Minuten einstellen.	12:30

6	Einmal die „Preset/Clock/Defrost“-Taste drücken oder 5 Sekunden warten. Die Zahlen werden nun stetig leuchtend angezeigt.	12:30
---	---	-------

9. Automatischer Start (Startverzögerungsfunktion)

Wenn Sie nicht möchten, dass das Programm sofort startet, können Sie das Garprogramm und die Startzeit voreinstellen. Das eingestellte Programm wird automatisch zu der von Ihnen eingestellten Uhrzeit gestartet. Das Einstellen umfasst drei Schritte:

- 1) aktuelle Uhrzeit einstellen;
- 2) Garprogramm und Garzeit einstellen;
- 3) gewünschte Startzeit einstellen.

Beispiel: Es ist jetzt 12:30 Uhr. Der Mikrowellenofen soll automatisch um 14:20 Uhr starten und 9 Minuten und 30 Sekunden lang mit 100P Mikrowellenleistung laufen.		
Schritte		Display
1	Nach dem Einschalten blinkt der Doppelpunkt	:
1,1	3 Sekunden lang die „Preset/Clock/Defrost“-Taste gedrückt halten.	00:00
1,2	Durch Drehen des „Auto Cooking/Enter/Time/ Weight“-Drehknopfs die Minuten einstellen.	12:00
1,3	Zur Bestätigung der Stunden die „Preset/Clock/Defrost“-Taste erneut drücken.	12:00
1,4	Durch Drehen des „Auto Cooking/Enter/Time/ Weight“-Drehknopfs die Minuten einstellen.	12:30
1,5	Einmal die „Preset/Clock/Defrost“-Taste drücken oder 5 Sekunden warten. Die Zahlen werden nun stetig leuchtend angezeigt.	12:30
2	Garprogramm und Garzeit einstellen;	
2,1	Garleistung durch Drücken der „Micro Power“-Taste auswählen	100P
2,2	„Auto cooking/Enter/Time/Weight“- Drehknopf drehen, um die Garzeit einzustellen	09:30
3	3 Sekunden lang die „Preset/Clock/Defrost“-Taste gedrückt halten, um zur aktuellen Uhrzeit zurückzukehren.	12:30
3,1	Gewünschte Startzeit einstellen. Schritt 1.2, 1.3, 1.4 wiederholen	14:20
4	Zur Bestätigung des verzögerten Programmstarts die „Preset/Clock/Defrost“-Taste drücken. Das Programm ist nun aktiviert und wird um 14:20 Uhr starten.	
5	Sie können die voreingestellte Startzeit durch Drücken der „Preset/Clock/Defrost“-Taste prüfen.	

Hinweis:

Wenn Sie das gewählte Programm sofort starten möchten, drücken Sie einfach die „Instant/Start“-Taste; wenn der automatische Programmstart aufgehoben werden soll, drücken Sie die „Pause/Cancel“-Taste.

10. Multi-Sequenz-Garen

Um das beste Garergebnis zu erzielen, erfordern manche Rezepte verschiedene Garmodi und Garzeiten. Sie können Ihr individuelles Programm wie folgt programmieren:

Beispiel: Die Lebensmittel sollen 3 Minuten lang mit 100P- Mikrowellenleistung, dann 9 Minuten lang mit 20P gegart werden. Dies erfordert die Einstellung von zwei Sequenzen.		
Schritte		Display
1	3 min 100P Mikrowellenleistung	
1,1	„Micro Power“-Taste zur Auswahl der Leistungsstufe drücken.	100P
1,2	„Auto Cooking/Enter/Time/ Weight“-Drehknopf drehen, um die Garzeit einzustellen.	03:00

2	9 min 20P	
2,1	„Micro Power“-Taste zur Auswahl der Leistungsstufe drücken.	20P
2,2	„Auto cooking/Enter/Time/ Weight“-Drehknopf drehen, um die Garzeit einzustellen.	09:00
3	„Instant/Start“-Taste drücken, um den Garvorgang zu starten.	

Hinweis:

- 1) Wenn das Garen mit 100P Leistung abgeschlossen ist, startet der Mikrowellenofen automatisch den nächsten Garvorgang.
- 2) Es können jeweils maximal vier Sequenzen eingestellt werden. Wiederholen Sie hierzu die Schritte.

11. Kindersicherungsfunktion

Mit dieser Funktion können Sie das Bedienfeld sperren, wenn Sie das Gerät reinigen oder damit Kinder den Mikrowellenofen nicht ohne Aufsicht benutzen können. In diesem Modus sind alle Tasten deaktiviert.

Um die Kindersicherung zu aktivieren, halten Sie die „Pause/Cancel“-Taste 3 Sekunden lang gedrückt, bis das LED-Display OFF anzeigt.

Um die Kindersicherung zu deaktivieren, halten Sie die „Pause/Cancel“-Taste 3 Sekunden lang gedrückt, bis OFF nicht mehr angezeigt wird.

REINIGUNG UND PFLEGE

Der Mikrowellenofen sollte regelmäßig gereinigt und Speisereste entfernt werden.

Es empfiehlt sich, nach jedem Gebrauch die folgenden Schritte durchzuführen.

Verwenden Sie niemals aggressive Reinigungsmittel, Benzin, Scheuerpulver oder Metallbürsten zum Reinigen der Teile des Gerätes.

Reinigen Sie den Mikrowellenofen regelmäßig.

Ziehen Sie vor der Reinigung den Netzstecker aus der Steckdose. Lassen Sie nach Möglichkeit die Tür offenstehen, um den Mikrowellenofen während der Reinigung zu deaktivieren.

Außenseite:

Die Außenseite kann mit einem weichen und feuchten Tuch sauber gewischt werden. Vermeiden Sie die Verwendung aggressiver, scharfer Reinigungsmittel.

Tür:

Wischen Sie die Tür und das Fenster an den Seiten, die Türdichtungen und die angrenzenden Teile regelmäßig mit einem weichen und feuchten Tuch ab, um Spritzer und Flecken zu entfernen. Verwenden Sie keine scharfen Reinigungsmittel.

Bedienfeld:

Lassen Sie bei der Reinigung des Bedienfeldes Vorsicht walten. Wischen Sie das Bedienfeld mit einem weichen, leicht angefeuchteten Tuch ab. Verwenden Sie keine scheuernden Utensilien oder ein chemisches Reinigungsmittel.

Innenwände:

Wischen Sie aus hygienischen Gründen die Innenwände mit einem weichen und feuchten Tuch sauber. Wischen Sie nach dem Gebrauch die Wellenleiterabdeckung im Mikrowellenofen mit einem weichen, feuchten Tuch ab, um Spritzer und Speisereste zu entfernen. Spritzer, die sich mit der Zeit ansammeln, können sich überhitzen. Dadurch kann sich Rauch oder ein Feuer entwickeln. Entfernen Sie nicht die Wellenleiterabdeckung. Verwenden Sie keinen handelsüblichen Mikrowellenofenreiniger, scharfe oder aggressive Reinigungsmittel und Scheuerschwämme. Sprühen Sie niemals Mikrowellenofenreiniger direkt auf eines der Elemente Ihres Mikrowellenofens.

Drehteller/Drehring/Drehvorrichtung:

Nach dem Abkühlen mit mildem Seifenwasser abwaschen und gründlich abtrocknen.

Tipp:

Wenn der Mikrowellenofen über lange Zeit benutzt wurde, können unangenehme Gerüche im Mikrowellenofen entstehen. Mit den folgenden drei Methoden können die Gerüche entfernt werden: Legen Sie mehrere Zitronenscheiben in eine Tasse, erhitzen Sie diese dann auf hoher Stufe 2 bis 3 Minuten lang. 2. Stellen Sie eine Tasse schwarzen Tee in den Mikrowellenofen und erhitzen Sie diese auf hoher Stufe. 3. Legen Sie Apfelsinenschalen in den Mikrowellenofen und erhitzen Sie diese 1 Minute lang auf hoher Stufe.

Reparatur

Warnung: Nur eine qualifizierte Fachkraft kann Wartungsarbeiten oder Reparaturen durchführen, bei denen die Abdeckung entfernt werden muss, die vor der Mikrowellenenergie schützt. Für alle anderen Personen sind diese Arbeiten gefährlich.

Vorsicht: MIKROWELLENSTRAHLUNG**Warnung:**

Setzen Sie sich nicht der Strahlung von dem Mikrowellengenerator oder anderen Teile, die Mikrowellenenergie leiten, aus.

Der Hochspannungskondensator bleibt nach dem Ausschalten geladen. Schalten Sie den Minuspol des Hochspannungskondensators mit dem Mikrowellenofengehäuse zum Entladen kurz (mit einem Schraubendreher), bevor Sie ihn berühren.

An den nachstehend aufgeführten Teilen, die unter Umständen während Wartungs- und Reparaturarbeiten ausgebaut werden müssen, liegen Spannungen von über 250V gegen Erde an.

- Magnetfeldröhre;
- Hochspannungstransformator;
- Hochspannungskondensator;
- Hochspannungsdiode;
- Hochspannungssicherung.

Die nachstehend aufgeführten Zustände können während der Wartung bzw. Reparatur zu unzulässiger Bestrahlung durch Mikrowellen führen:

- Magnetfeldröhre nicht ordnungsgemäß eingesetzt.
- Türverriegelung, Türangel und Tür nicht ordnungsgemäß eingepasst.
- Schalterhalterung nicht ordnungsgemäß befestigt.
- Tür, Türdichtung oder Gehäuse beschädigt.

TECHNISCHE DATEN

Betriebsspannung: 230V ~ 50Hz

Eingangsleistung (Mikrowelle): 1150W

Mikrowellen-Ausgangsleistung: 700W

Mikrowellenfrequenz: 2450 MHz

GARANTIE UND KUNDENSERVICE

Vor der Lieferung werden unsere Geräte einer strengen Qualitätskontrolle unterzogen. Wenn, trotz aller Sorgfalt, während der Produktion oder dem Transport Beschädigungen aufgetreten sind, senden Sie das Gerät zurück an den Händler. Zusätzlich zu den gesetzlichen Rechten hat der Käufer die Option, gemäß den folgenden Bedingungen Garantie zu fordern:

Wir bieten eine 2-Jahres-Garantie für das erworbene Gerät, beginnend am Tag des Verkaufs. Wenn Sie ein defektes Produkt haben, nehmen Sie bitte direkt Kontakt mit dem Verkäufer auf.

Defekte, die aufgrund von unangemessenem Umgang mit dem Gerät entstehen und Störungen aufgrund von Eingriffen und Reparaturen Dritter oder das Montieren von nicht-Originalteilen werden nicht von dieser Garantie abgedeckt. Die Quittung immer aufbewahren, ohne Quittung wird jegliche Garantie ausgeschlossen. Bei Schäden durch Nichteinhalten der Bedienungsanleitung erlischt die Garantie, Wir sind für daraus resultierende

Folgeschäden nicht haftbar. Für Materialschäden oder Verletzungen aufgrund falscher Anwendung oder Nichtbefolgen der Sicherheitshinweise sind wir nicht haftbar. Schäden an den Zubehörteilen bedeutet nicht, dass das gesamte Gerät kostenlos ausgetauscht wird. In diesem Fall kontaktieren Sie unseren Kundendienst. Zerbrochenes Glas oder Kunststoffteile sind immer kostenpflichtig. Schäden an Verbrauchsmaterialien oder Verschleißteilen, sowie Reinigung, Wartung oder Austausch der besagten Teile werden durch die Garantie nicht abgedeckt und sind deshalb kostenpflichtig.

UMWELTGERECHTE ENTSORGUNG



Wiederverwertung – Europäischen Richtlinie 2012/19/EG

Dieses Symbol zeigt an, dass das Produkt nicht zusammen mit Haushaltsabfällen entsorgt werden darf.

Um Umwelt- und Gesundheitsschäden durch unkontrollierte Abfallentsorgung zu verhindern, bitte

verantwortungsbewusst entsorgen, um die nachhaltige Wiederverwertung von Ressourcen zu fördern. Nutzen Sie zur Rückgabe Ihres Altgeräts bitte die Rückgabe- und Sammelsysteme oder wenden Sie sich an den Händler bei dem Sie dieses Gerät erworben haben. Dieser kann das Gerät umweltschonend entsorgen.

Emerio B.V.
Oudeweg 115
2031 CC Haarlem
The Netherlands

Customer service:
T: +31 (0) 23 3034369
www.emerio.eu/service

Kundeninformation:
T: +49 (0) 3222 1097 600
www.emerio.eu/service

Klantenservice:
T: +31 (0) 23 3034369
www.emerio.eu/service

INSTRUCTIONS DE SÉCURITÉ IMPORTANTES LIRE AVEC ATTENTION ET GARDER POUR DE FUTURES UTILISATIONS.

Les précautions basilières suivantes doivent toujours être respectées lors de l'utilisation d'appareils électriques:

1. Cet appareil peut être utilisé par des enfants à partir de 8 ans et plus et par des personnes ayant des capacités physiques, sensorielles ou mentales réduites ou un manque d'expérience et de connaissances à condition qu'elles aient reçu une supervision ou des instructions concernant l'utilisation de l'appareil en toute sécurité et qu'elles comprennent les dangers encourus.
2. Les enfants ne doivent pas jouer avec l'appareil.
3. Le nettoyage et l'entretien par l'utilisateur ne doivent pas être effectués par des enfants, sauf s'ils ont plus de 8 ans et qu'ils sont surveillés.
4. Gardez l'appareil et son câble hors de la portée des enfants de moins de 8 ans.
5. Si le câble d'alimentation est endommagé, il doit être remplacé par le fabricant, son service après-vente ou des personnes de qualification similaire afin d'éviter un danger.
6. Cet appareil est destiné à une utilisation domestique et analogue telles que: Les zones de cuisine du personnel de magasins, bureaux et autres environnements de travail; Les fermes; Les clients dans les hôtels, motels et autres environnements de type résidentiel; Environnements de type chambres d'hôtes.
7. Ne pas utiliser d'appareil de nettoyage à la vapeur.
8. Les récipients métalliques pour aliments et boissons ne sont pas admis lors de la cuisson par micro-ondes.
9. Avant d'insérer la fiche de l'appareil dans une prise secteur, vérifiez que la tension et la fréquence du secteur correspondent aux spécifications indiquées sur la plaque signalétique.

10. MISE EN GARDE: Si la porte ou le joint de porte est endommagé, le four ne doit pas être mis en fonctionnement avant d'avoir été réparé par une personne compétente.
11. MISE EN GARDE: Il est dangereux pour quiconque autre qu'une personne compétente d'effectuer des opérations de maintenance ou de réparation entraînant le retrait d'un couvercle qui protège de l'exposition à l'énergie micro-ondes.
12. MISE EN GARDE: Les liquides et autres aliments ne doivent pas être chauffés dans des contenants fermés hermétiquement car ils risquent d'exploser.
13. Le four à micro-ondes est destiné à être posé librement et ne doit pas être intégré dans un meuble.
14. MISE EN GARDE: Si l'appareil fonctionne en mode combiné, il est recommandé que les enfants n'utilisent le four que sous la surveillance d'adultes en raison des températures générées.
15. Il convient de veiller à ne pas déplacer le plateau rotatif lors du retrait des récipients de l'appareil.
16. Le four à micro-ondes est prévu pour chauffer des denrées alimentaires et des boissons. Le séchage de denrées alimentaires ou de linge et le chauffage de coussins chauffants, pantoufles, éponges, linge humide et autres articles similaires peuvent entraîner des risques de blessures, d'inflammation ou de feu.
17. N'utiliser que des ustensiles appropriés à l'usage dans les fours micro-ondes.
18. Pendant le chauffage de denrées alimentaires dans des contenants en plastique ou en papier, garder un œil sur le four en raison de la possibilité d'inflammation.
19. Si de la fumée est émise, arrêter ou débrancher le four et garder la porte fermée pour étouffer les flammes éventuelles.

20. Le chauffage des boissons par micro-ondes peut provoquer un jaillissement brusque et différé de liquide en ébullition, aussi des précautions doivent-elles être prises lors de la manipulation du récipient.
21. Le contenu des biberons et des pots d'aliments pour bébé doit être remué ou agité et la température doit en être vérifiée avant consommation, de façon à éviter les brûlures.
22. Il n'est pas recommandé de chauffer les oeufs dans leur coquille et les oeufs durs entiers dans un four micro-ondes car ils risquent d'exploser, même après la fin de cuisson.
23. Il est recommandé de nettoyer le four régulièrement et d'enlever tout dépôt alimentaire.
24. Si l'appareil n'est pas maintenu dans un bon état de propreté, sa surface pourrait se dégrader et affecter de façon inexorable la durée de vie de l'appareil et conduire à une situation dangereuse.
25. Afin de réduire le risque d'incendie dans la cavité du four à micro-ondes:
 - Ne sur cuisez pas les aliments.
 - Avant de placer des sachets dans le four à micro-ondes, retirez-en les ligatures.
 - Ne chauffez ni huile ni de graisse pour friture car la température de l'huile ne peut pas être contrôlée.
 - Après l'utilisation, nettoyez le couvercle de guide d'ondes avec un chiffon humidifié et essuyez-le avec un chiffon sec afin d'éliminer toute éclaboussure d'aliments et graisse. Une accumulation de graisse risque de surchauffer et de causer la formation de fumée ou de prendre feu.
 - En présence de fumée ou de feu dans le four à micro-ondes, gardez la porte du four à micro-ondes fermée, éteignez-le et débranchez l'alimentation.
 - Surveillez impérativement de près le four lorsque vous utilisez des récipients en plastique, papier ou autres matières combustibles.

26. Afin de réduire le risque d'explosion ou d'ébullition soudaine:
- Ne placez pas de récipient scellé dans le four à micro-ondes. Les biberons avec un bouchon ou une tétine vissés sont considérés comme étant des récipients scellés.
 - Lorsque vous faites bouillir des liquides dans le four à micro-ondes, utilisez un récipient à large bord que vous laisserez dans le four pendant 20 secondes après la fin de la cuisson afin d'éviter une ébullition éruptive retardée des liquides.
 - Pommes de terre, saucisses et châtaignes doivent être pelés ou percés avant la cuisson.
27. Après cuisson, le récipient est très chaud. Utilisez des gants pour ressortir les aliments du four et n'approchez ni les mains ni le visage de la vapeur afin d'éviter des brûlures.
28. Soulevez le bord le plus éloigné des couvercles de plat et des enveloppes plastique pour four à micro-ondes et ouvrez avec précaution les sachets de popcorn ainsi que les sachets pour cuisson au four à micro-ondes en les tenant à l'écart du visage.
29. Afin d'éviter que le plateau tournant ne se casse:
- Avant de nettoyer le plateau tournant, laissez-le refroidir.
 - Ne placez pas d'aliments ni d'ustensiles chauds sur le plateau tournant.
 - Ne placez pas d'aliments ni d'ustensiles congelés sur le plateau tournant.
30. Assurez-vous-vous que les ustensiles ne touchent pas les parois intérieures pendant la cuisson.
31. Ne stockez pas d'aliments, d'ustensiles ni d'autres objets dans le four à micro-ondes.
32. Ne faites pas fonctionner le four à micro-ondes sans y avoir introduit des liquides ou des aliments. Ceci risque d'endommager le four à micro-ondes.

33. Tout accessoire non recommandé par le fabricant risque de causer des blessures personnelles.
34. N'utilisez pas l'appareil à l'extérieur.
35. L'appareil ne doit pas être mis en marche au moyen d'une prise minuteur externe ou au moyen d'un système de télécommande séparé.



36. Attention, surface chaude.
Avertissement!! Veuillez ne pas toucher la surface pendant l'utilisation. La température des surfaces accessibles peut être élevée lorsque l'appareil est en fonctionnement.
37. Pour obtenir des instructions sur comment nettoyer les surfaces qui sont en contact avec des aliments, reportez-vous au paragraphe « nettoyage et entretien » du mode d'emploi.
38. Ne pas installer l'appareil dans un placard. Consultez les instructions d'installation pour savoir comment installer correctement l'appareil.
39. Cet appareil est un appareil du groupe 2, classe B.
Cet appareil appartient au groupe 2 car il génère intentionnellement de l'énergie par radiofréquence pour chauffer des aliments ou des produits.
Cet appareil appartient à la classe B car il convient à une utilisation dans des environnements résidentiels et dans des établissements directement connectés à un réseau d'alimentation basse tension alimentant des bâtiments à usage domestique.

THÉORIE DE FONCTIONNEMENT D'UN FOUR À MICRO-ONDES

- Les micro-ondes sont des ondes électromagnétiques à haute fréquence normalement présentes dans la nature. Cependant, sous cette forme, les micro-ondes sont dispersées de sorte qu'il est impossible de les concentrer et de les exploiter à des fins de chauffage. Le composant essentiel du magnétron d'un four à micro-ondes transforme l'énergie électrique en micro-ondes et un puissant champ d'énergie à micro-ondes est généré dans la cavité fermée. Ceci provoque une vibration ultrarapide des molécules des aliments et la chaleur de frottement ainsi générée permet la cuisson rapide des aliments.
- 3 sont les propriétés des micro-ondes:
 - Absorbabilité, les micro-ondes peuvent provoquer un excès de vibration des molécules de différents aliments afin d'atteindre le but de chauffage recherché. Mais leur capacité d'infiltration dépend largement de la taille, de l'épaisseur et des propriétés de l'aliment.
 - Pénétrabilité, les micro-ondes pénètrent à travers la céramique, le verre, les plastiques résistants aux températures élevées. Il est nécessaire d'utiliser des récipients de matières ayant une bonne pénétrabilité aux micro-ondes afin d'obtenir le meilleur réchauffement possible. Voir le guide des ustensiles ci-après.
 - Réflectivité, les micro-ondes sont réfléchies par la paroi métallique de la cavité intérieure afin d'établir un champ magnétique homogène et éviter ainsi le sur-réchauffement d'une zone particulière.

INSTALLATION DU FOUR A MICRO-ONDES

- Afin d'assurer une aération suffisante, une distance de minimum 10 cm doit séparer la face arrière du four à micro-ondes du mur, et une distance de minimum 5 cm doit séparer le côté du four du mur latéral. L'espace libre au-dessus du four doit être de minimum 20 cm. La distance jusqu'au sol doit être d'au moins 85 cm.
- Ne placez aucun objet sur le four à micro-ondes.
- Le four à micro-ondes doit être placé à l'écart de téléviseurs, radios ou antennes. Dans le cas contraire, l'image risque d'être perturbée ou des bruits d'apparaître. La distance doit être de plus de 5 mètres.
- L'appareil doit être placé de telle sorte que la prise soit accessible.
- Le four à micro-ondes est destiné à être posé librement et ne doit pas être intégré dans un meuble.

GUIDE DES USTENSILES

Utilisez exclusivement des récipients/ustensiles appropriés pour une utilisation dans un four à micro-ondes. Référez-vous au tableau ci-dessous.

Matériau du contenant	Micro-ondes	Remarques
Céramique résistante à la chaleur	Oui	N'utilisez jamais de céramique décorée d'une bordure en métal ou émaillée
Plastique résistant à la chaleur	Oui	Ce matériau ne doit pas être utilisé longtemps dans un four à micro-ondes
Verre résistant à la chaleur	Oui	
Film plastique	Oui	Ce matériau ne doit pas être utilisé pour faire cuire de la viande ou des côtes car la température pourrait endommager le film plastique.
Grille de cuisson	Non	
Récipient en métal	Non	Il ne doit pas être utilisé dans un four à micro-ondes Les micro-ondes ne peuvent pas pénétrer à travers le métal.
Laque	Non	Faible résistance à la chaleur Ne peut pas être utilisé pour une cuisson à haute température

Bois de bambou et papier	Non	Faible résistance à la chaleur Ne peut pas être utilisé pour une cuisson à haute température
--------------------------	-----	--

LA PREMIERE UTILISATION

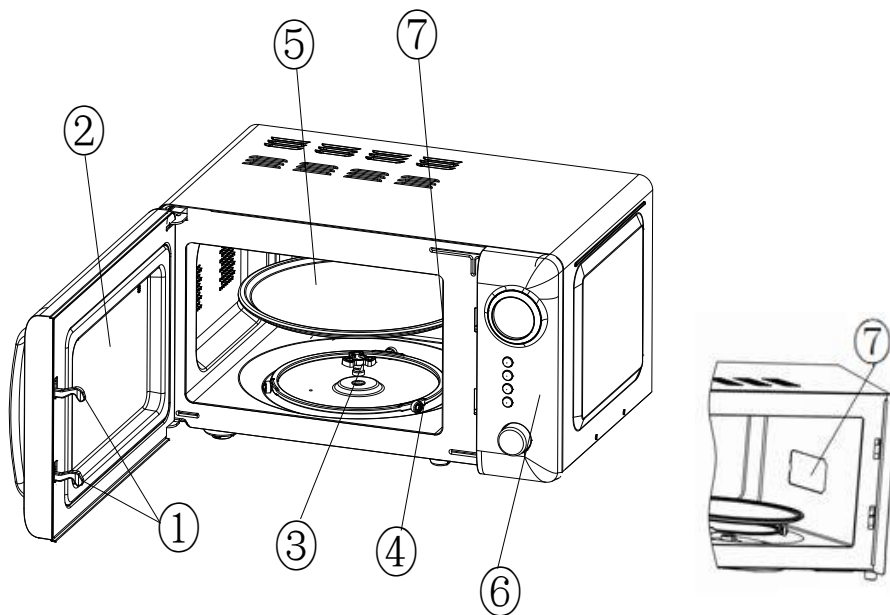
Une odeur sera peut-être perceptible en raison des résidus de production ou de l'huile résiduelle dans la cavité du four à micro-ondes ou sur l'élément chauffant.

Il est normal qu'une légère fumée sorte de la porte du four à micro-ondes et cela n'aura plus lieu après plusieurs utilisations. Ouvrez la porte ou la fenêtre afin d'assurer une bonne aération.

Il est recommandé de procéder comme suit:

Pour le four sans fonction grill intégrée, placez une tasse d'eau sur le plateau tournant et réglez sur haute puissance. Faites fonctionner le four plusieurs fois.

PRÉSENTATION DU PRODUIT



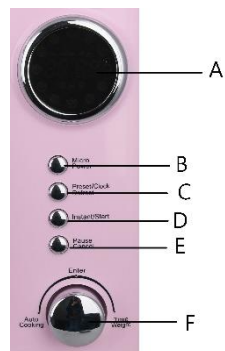
1. **Verrouillage de porte** : Garantit que le four à micro-ondes ne peut être activé que lorsque la porte est correctement fermée.
2. **Fenêtre de visualisation** : La cuisson peut être suivie en regardant à travers le maillage métallique.
3. **Axe de rotation** : Le plateau tournant en verre repose sur l'axe; le moteur en dessous entraîne le plateau tournant.
4. **Anneau rotatif** : Soutient le plateau tournant en verre
5. **Plateau tournant en verre** : Il tourne pour faire chauffer les aliments uniformément lors de la cuisson; il est recommandé de l'utiliser lors de la cuisson.
6. **Panneau de contrôle** : Voir les détails ci-dessous (le panneau de contrôle est sujet à changement sans préavis)
7. **Le couvercle du guide d'ondes (ne pas le retirer)** protège le boîtier du guide d'ondes des éclaboussures des aliments.

Attention :

Placez tout d'abord l'anneau rotatif. Montez le plateau tournant en verre sur l'axe de rotation et assurez-vous qu'il est correctement enclenché.

PANNEAU DE CONTRÔLE

- A. Affichage numérique
- B. Puissance de micro-ondes
- C. Bouton de Préréglage / Horloge / Décongélation
- D. Bouton Instantané / Démarrage
- E. Bouton Pause / Annulation
- F. Bouton de Cuisson automatique / Entrer / Heure ou Poids



FONCTIONNEMENT

1. Avant l'utilisation

L'affichage DEL clignote 3 fois une fois que le four est branché à l'alimentation. Puis ":" clignotera sur l'affichage, vous indiquant que vous pouvez entrer le menu et la durée de cuisson.

2. Démarrage rapide

Une fois le four branché, si vous désirez un démarrage rapide. Vous pouvez appuyer une fois sur le bouton Instantané / Démarrage, le four commencera à fonctionner avec les réglages par défaut (puissance des micro-ondes : 100p; durée : 1 minute).

3. Rappel automatique

Lorsque votre procédure de cuisson prédéfinie est terminée, l'écran LED affiche « End » et trois bips sonores retentissent pour vous inviter à enlever les aliments. Si vous n'appuyez pas sur "Pause / Annulation" ou si vous n'ouvrez pas la porte du four, les bips sonores seront émis toutes les 3 minutes.

4. Pause / Annulation

Au stade initial ou d'entrée : appuyez une fois sur le bouton "Pause / Annulation" pour annuler les programmes d'entrée et reprendre l'étape initiale.

Pendant la cuisson : appuyez une fois sur le bouton "Pause / Annulation" pour arrêter le fonctionnement du four à micro-ondes, puis appuyez deux fois pour annuler les programmes de cuisson.

5. Cuisson aux micro-ondes

Appuyez plusieurs fois sur le bouton "Puissance des micro-ondes" et l'écran LED indiquera : 100P, 80P...20P

100P	Puissance forte 700W	100% de puissance de micro-ondes. Convient à une cuisson rapide et approfondie.
80P	Puissance moyennement forte 550W	80% de puissance de micro-ondes. Convient à une cuisson moyennement rapide
60P	Puissance moyenne 424W	60% de puissance de micro-ondes. Convient à une cuisson à vapeur.
40P	Puissance moyennement faible 275W	40% de puissance de micro-ondes. Convient pour décongeler les aliments.
20P	Puissance faible 148W	20% de puissance de micro-ondes. Convient pour réchauffer les aliments.

REMARQUE:

- 1) La durée maximale pouvant être réglée est de 60 minutes.
- 2) Ne faites jamais fonctionner le four à micro-ondes à vide.
- 3) À la puissance maximale des micro-ondes, le four à micro-ondes réduira automatiquement la puissance après un certain temps de cuisson pour préserver sa durée de vie.
- 4) Si vous désirez tourner les aliments durant la procédure de cuisson, appuyez une fois sur le bouton « Instantané / Démarrage » puis la procédure de cuisson redémarrera selon la durée prééglée.

5) Si vous désirez enlever les aliments du four avant la fin de la durée pré-réglée, vous devez appuyer une fois sur le bouton "Pause / Annulation" pour annuler la procédure afin d'éviter toute activation accidentelle lors de la prochaine utilisation.

6) Il est recommandé de porter des gants lorsque vous retirez les aliments cuits du four à micro-ondes et veillez à ne pas toucher l'élément chauffant sur le dessus de la cavité.

Exemple : Pour une cuisson à 80P durant 10 minutes.		
Étapes		Écran
1	Après la mise en marche, les deux points clignotent	:
2	Sélectionnez la puissance de micro-ondes en appuyant plusieurs fois sur le bouton "Puissance des micro-ondes".	80P
3	Régalez la durée de cuisson en tournant le bouton "Cuisson automatique / Entrer / Heure / Poids".	10:00
4	Appuyez sur le bouton "Instantané / Démarrage" pour démarrer la cuisson et l'écran LED affichera le compte à rebours.	

6. DÉCONGÉLATION

Cette fonction est utilisée pour décongeler des aliments; appuyez consécutivement sur le bouton "Préréglage / Horloge / Décongélation" et l'affichage LED fera défiler les indications d.1-d.2-d.3.

d.1	Pour décongeler de la viande, l'échelle de poids est de 0,1 à 2,0 kg.
d.2	Pour décongeler de la volaille, l'échelle de poids est de 0,2 à 3,0 kg.
d.3	Pour décongeler des fruits de mer, l'échelle de poids est de 0,1 à 0,9 kg.

REMARQUE:

1) Il est nécessaire de tourner les aliments durant la cuisson pour obtenir un effet uniforme.

2) Habituellement, la décongélation nécessite plus de temps que la cuisson des aliments.

3) Si les aliments peuvent être coupés au couteau, le processus de décongélation peut être considéré comme terminé.

4) Les micro-ondes pénètrent d'environ 4 cm dans la plupart des aliments.

5) Les aliments décongelés doivent être consommés dès que possible, il est déconseillé de les remettre au réfrigérateur et de les congeler à nouveau.

Exemple : Pour décongeler rapidement 0,4 kg de volaille		
Étapes		Écran
1	Après la mise en marche, les deux points clignotent	:
2	Appuyez sur le bouton "Préréglage / Horloge / Décongélation" pour régler le type d'aliments.	d.2
3	Tournez le bouton "Cuisson automatique / Entrer / Heure / Poids" pour régler le poids à décongeler.	0,4
4	Démarrez la cuisson en appuyant sur le bouton "Instantané / Démarrage".	
5	Au milieu de la procédure de décongélation, 3 bips sonores retentiront pour vous prévenir de tourner les aliments. Ouvrez la porte et placez les aliments dans le four. Puis refermez la porte. Appuyez sur le bouton "Instantané / Démarrage" pour continuer la procédure de décongélation.	

7. CUISSON AUTOMATIQUE

Le four à micro-ondes offre un menu de cuisson par défaut pour faciliter l'utilisation. Lorsque les deux points clignotent, tournez le bouton "Cuisson automatique / Entrer / Heure / Poids" et l'écran LED affichera A-01, A-02 A-12. Appuyez sur le bouton pour régler le menu souhaité, puis à nouveau sur le bouton pour régler le poids de cuisson.

Choisissez le menu approprié selon le type et le poids des aliments et observez les indications fournies dans le tableau ci-dessous pour que l'effet de cuisson soit réussi.

Écran	Type d'aliment	Poids
A-01	Pop-corn	Il y a deux options selon le poids (3.0Oz et 3.5Oz)
A-02	Pommes de terre	Il y a deux options selon le poids (0,45Kg et 0,65Kg)
A-03	Légumes	Il y a cinq options selon le poids (0,1- 0,2-----0,5 kg)
A-04	Viande	Il y a six options selon le poids (0,2- 0,3-----0,7 kg)
A-05	Poisson	Il y a six options selon le poids (0,2- 0,3-----0,7 kg)
A-06	Poulet	Il y a six options selon le poids (0,2- 0,3-----0,7 kg)
A-07	Réchauffage	Il y a cinq options selon le poids (0,2- 0,4-----1,0 kg)
A-08	Boisson	Il y a deux options selon le poids (250ML et 500ML)
A-09	Riz	Il y a cinq options selon le poids (0,1- 0,2-----0,5 kg)
A-10	Pâtes	Il y a cinq options selon le poids (0,1- 0,2-----0,5 kg)
A-11	Pain	Il y a cinq options selon le poids (0,1- 0,2-----0,5 kg)
A-12	Pizza	Il y a deux options selon le poids (1 part et 2 parts)

Remarque :

- 1) La température des aliments avant la cuisson doit être d'environ 20 à 25°. Une température plus élevée ou plus basse nécessitera un réglage de durée plus long ou plus court.
- 2) La température, le poids et la forme des aliments influenceront largement l'effet de cuisson. Si l'effet obtenu d'un menu n'est pas tout à fait celui qui est escompté, vous pouvez ajuster la durée de cuisson pour obtenir le résultat désiré.

Exemple : Faire cuire un poisson de 0,4 kg à la vapeur		
Étapes		Écran
1	Après la mise en marche, les deux points clignotent	:
2	Tournez le bouton "Cuisson automatique / Entrer / Heure / Poids" pour choisir le menu de cuisson désirée.	A-05
3	Appuyez sur le bouton "Cuisson automatique / Entrer / Heure / Poids" pour confirmer.	A-05
4	Tournez le bouton "Cuisson automatique / Entrer / Heure / Poids" pour régler le poids.	0,4
5	Démarrez la cuisson en appuyant sur le bouton "Instantané / Démarrage".	

8. Réglage de l'horloge

Appuyez sur le bouton "Préréglage / Horloge / Décongélation" pour entrer la durée de cuisson ou la durée pré-réglée du menu s'affichera à la place des deux points ":" qui clignoteront sur l'affichage LED lorsque le four sera branché à l'alimentation. Ou ignorez cette étape si elle n'est pas nécessaire.

Exemple : pour régler 12:30		
Étapes		Écran
1	Après la mise en marche, les deux points clignotent	:
2	Maintenez pressé le bouton "Préréglage / Horloge / Décongélation" durant trois secondes.	00:00
3	Réglez les heures en tournant le bouton "Cuisson automatique / Entrer / Heure / Poids".	12:00
4	Appuyez de nouveau sur "Préréglage / Horloge / Décongélation" pour confirmer les heures.	12:00
5	Réglez les minutes en tournant le bouton "Cuisson automatique / Entrer / Heure / Poids".	12:30

6	Appuyez une fois sur "Préréglage / Horloge / Décongélation" ou attendez 5 secondes, et les chiffres s'arrêteront de clignoter.	12:30
---	--	-------

9. Démarrage automatique (fonction de minuteur avec délai)

Si vous ne voulez pas démarrer le menu immédiatement, vous pouvez préréglager le menu et la durée de cuisson et la cuisson démarrera à l'heure réglée désirée. Le réglage s'effectue en 3 étapes :

- 1) Réglez tout d'abord l'heure en cours.
- 2) Réglez le menu et la durée de cuisson
- 3) Réglez l'heure à laquelle vous désirez que le four se mette en marche et démarre la cuisson.

Exemple : L'horloge affiche 12:30. Si vous désirez que le four à micro-ondes démarre automatiquement la cuisson avec une puissance de 100P durant 9 minutes et 30 secondes à 14:20.

Étapes		Écran
1	Après la mise en marche, les deux points clignotent	:
1,1	Maintenez pressé le bouton "Préréglage / Horloge / Décongélation" durant trois secondes.	00:00
1,2	Réglez les heures en tournant le bouton "Cuisson automatique / Entrer / Heure / Poids".	12:00
1,3	Appuyez de nouveau sur "Préréglage / Horloge / Décongélation" pour confirmer les heures.	12:00
1,4	Réglez les minutes en tournant le bouton "Cuisson automatique / Entrer / Heure / Poids".	12:30
1,5	Appuyez une fois sur "Préréglage / Horloge / Décongélation" ou attendez 5 secondes, et les chiffres s'arrêteront de clignoter.	12:30
2	Réglez le menu et la durée de cuisson	
2,1	Sélectionnez la puissance de cuisson en appuyant sur le bouton "Puissance des micro-ondes".	100P
2,2	Tournez le bouton "Cuisson automatique / Entrer / Heure / Poids" pour régler la durée de cuisson.	09:30
3	Appuyez et maintenez pressé le bouton "Préréglage / Horloge / Décongélation" durant 3 secondes pour retourner à l'heure en cours.	12:30
3,1	Réglez l'heure à laquelle vous désirez que le four se mette en marche et démarre la cuisson. Répétez les étapes 1.2, 1.3 et 1.4.	14:20
4	Appuyez sur le bouton "Préréglage / Horloge / Décongélation" pour confirmer le réglage du minuteur. Le programme sera ainsi activé. Et la cuisson du menu démarrera à 14:20.	
5	Vous pouvez vérifier l'heure réglée de démarrage en appuyant sur le bouton "Préréglage / Horloge / Décongélation".	

Remarque :

Si vous voulez démarrer le programme immédiatement sans attendre, appuyez simplement sur le bouton "Instantané / Démarrage"; Si le "Démarrage automatique" doit être annulé, appuyez sur le bouton "Pause / Annulation".

10. Cuisson à multi-étapes

Pour obtenir un résultat de cuisson optimal, certains recettes nécessitent des modes et des durées de cuisson diverses. Vous pouvez personnaliser votre menu comme suit :

Exemple : Vous désirez cuire des aliments avec une puissance de 100P durant 3 minutes puis avec une puissance de 20P durant 9 minutes. Voici comment régler les 2 étapes.		
Étapes		Écran
1	Puissance de 100P au four à micro-ondes durant 3 minutes	
1,1	Appuyez sur le bouton "Puissance de micro-ondes" pour sélectionner le niveau de puissance.	100P
1,2	Tournez le bouton "Cuisson automatique / Entrer / Heure / Poids" pour régler la durée de cuisson.	03:00
2	20P durant 9 minutes	
2,1	Appuyez sur le bouton "Puissance de micro-ondes" pour sélectionner le niveau de puissance.	20P
2,2	Tournez le bouton "Cuisson automatique / Entrer / Heure / Poids" pour régler la durée de cuisson.	09:00
3	Démarrez la cuisson en appuyant sur le bouton "Instantané / Démarrage ".	

Remarque :

- 1) Lorsque la cuisson au four à 100 de puissance est terminée, le four démarrera alors la prochaine étape de cuisson.
- 2) 4 étapes au maximum peuvent être réglées à chaque fois, répétez la procédure.

11. Fonction de verrouillage sécurité enfants

Utilisez cette fonction pour verrouiller le panneau de contrôle lorsque vous nettoyez ou pour empêcher les enfants d'utiliser le four à micro-ondes sans surveillance. Tous les boutons sont rendus inutilisables dans ce mode. Pour activer le verrouillage, appuyez et maintenez le bouton "Pause / Annulation" environ 3 secondes jusqu'à ce que semble l'indicateur LED s'éteigne.

Pour annuler le verrouillage, appuyez sur le bouton "Pause / Annulation" et maintenez-le enfoncé pendant environ 3 secondes jusqu'à ce que OFF disparaisse.

NETTOYAGE ET ENTRETIEN

Le four à micro-ondes doit être nettoyé régulièrement, et tout résidu alimentaire doit être systématiquement enlevé.

Nous vous suggérons d'effectuer les étapes ci-dessous après chaque utilisation.

Aucune partie du four ne doit être nettoyée avec des détergents forts, de l'essence, de la poudre abrasive ou avec une brosse métallique.

Nettoyez régulièrement le four à micro-ondes.

Débranchez le câble d'alimentation avant de procéder au nettoyage. Et si possible, laissez la porte ouverte pour désactiver le four à micro-ondes pendant le nettoyage.

Extérieur :

Le boîtier de l'appareil peut être nettoyé avec un chiffon doux et humide. N'utilisez pas de nettoyant dur ou abrasif.

Porte :

Essuyez les parois de la porte et fenêtre, les joints de la porte et de la fenêtre avec un chiffon humide pour enlever les écoulements et les éclaboussures. N'utilisez pas de nettoyant abrasif.

Panneau de contrôle :

Prenez soin de ne pas endommager les boutons du panneau de contrôle. Nettoyez le panneau avec un chiffon à poussière doux et légèrement humidifié. Ne frottez pas et n'utilisez aucun type de nettoyant chimique.

Parois intérieures :

Pour nettoyer les surfaces internes, essuyez simplement avec un chiffon doux et humide pour des raisons

d'hygiène. Après l'utilisation, essuyez le couvercle du guide d'ondes dans le four à micro-ondes avec un chiffon doux et humide pour retirer les éclaboussures des aliments. Les éclaboussures peuvent surchauffer et commencer à fumer ou à prendre feu. Ne retirez pas le couvercle du guide d'ondes. N'utilisez pas un nettoyant pour four à micro-ondes, des nettoyants abrasifs ou durs et des tampons à récurer sur n'importe quelle partie de votre four à micro-ondes. Ne vaporisez jamais de nettoyants pour four à micro-ondes directement sur une partie de votre four à micro-ondes.

Plateau tournant / Anneau rotatif / Axe de rotation :

Une fois que le four a refroidi, nettoyez-le à l'eau chaude savonneuse, puis séchez-le soigneusement.

Conseil:

Lorsque le four à micro-ondes a été utilisé pendant une longue période, des odeurs étranges peuvent persister dans le four à micro-ondes. Suivez ces 3 méthodes pour disperser ces odeurs. 1. Placez plusieurs tranches de citron dans une tasse et réglez la chaleur à haute puissance pendant 2 à 3 minutes. 2. Placez une tasse de thé rouge dans le four à micro-ondes, puis chauffez à puissance élevée. 3. Mettez un peu d'écorce d'orange dans le four à micro-ondes, puis chauffez-les à haute puissance pendant 1 minute.

Réparation

Avertissement : Il est dangereux pour toute personne autre qu'une personne qualifiée d'effectuer une opération d'entretien ou de réparation nécessitant le démontage d'un capot offrant une protection contre l'exposition à l'énergie des micro-ondes.

Attention : RAYONNEMENT DES MICRO-ONDES

Avertissement :

Ne vous exposez pas aux radiations du générateur de micro-ondes ou d'autres parties qui utilisent l'énergie des micro-ondes.

Le condensateur de haute tension reste chargé après la déconnexion; court-circuiter la borne négative du condensateur H. V au châssis du four à micro-ondes (utilisez un tournevis) pour décharger avant de toucher.

Lors de la maintenance, les composants ci-après peuvent être déposés et donner accès à des potentiels terre supérieurs à 250V

- Magnétron
- transformateur haute tension
- condensateur haute tension
- diode haute tension
- fusible haute tension

Les problèmes suivants peuvent entraîner une exposition aux micro-ondes pendant la maintenance.

- Pose incorrecte du magnétron.
- Mauvais engagement du verrouillage de la porte, des charnières de porte et de la porte.
- Pose incorrecte du support d'interrupteur.
- Dommages de la porte, des joints de porte ou de l'étanchéité.

DONNEES TECHNIQUES

Tension de fonctionnement: 230V~ 50Hz

Puissance d'entrée (micro-ondes): 1150W

Puissance de sortie des micro-ondes: 700W

Fréquence des micro-ondes: 2450 MHz

GARANTIE ET SERVICE APRÈS-VENTE

Nos appareils sont soumis à un contrôle de qualité strict avant d'être livrés. Si l'appareil a toutefois été endommagé lors de la production ou du transport en dépit des soins que nous lui donnons, retournez l'appareil au vendeur. En plus des droits juridiques, le client a la possibilité dans les limites de la garantie de déposer les

réclamations suivantes:

Nous offrons une garantie de 2 ans pour l'appareil acheté à partir de la date de vente. En cas de produit défectueux, vous pouvez retourner directement au point de vente.

Les défauts dus à une utilisation non conforme de l'appareil et les dommages dus à une intervention ou réparation faite par une tierce personne ou dus à l'installation de pièces qui ne sont pas d'origine ne sont pas couverts par cette garantie. Conservez toujours votre reçu, car sans celui-ci vous ne pourrez réclamer aucune sorte de garantie. Les dommages causés par le non respect des instructions de ce manuel rendront la garantie caduque, Nous décline toute responsabilité en cas de dommages indirects. Nous décline toute responsabilité en cas de dégâts matériels ou de dommages corporels causés par une utilisation inappropriée ou si les instructions de sécurité n'ont pas été convenablement observées. Si les accessoires sont endommagés, cela ne signifie pas que toute la machine sera remplacée gratuitement. Dans de tels cas, veuillez contacter notre assistance. Des pièces brisées en verre ou en plastique sont toujours sujettes à des frais. Les défauts des consommables ou des pièces susceptibles de s'user, ainsi que le nettoyage, l'entretien ou la réparation desdites pièces ne sont pas couverts par la garantie et doivent donc être payés.

APPAREIL RESPECTUEUX DE L'ENVIRONNEMENT



Recyclage – Directive européenne 2012/19/EU

Ce symbole indique que le produit ne doit pas être jeté avec les ordures ménagères. Pour limiter les risques pour l'environnement et la santé entraînés par le rejet non contrôlé des déchets, recyclez ce dernier pour promouvoir une réutilisation responsable de ses matériaux. Pour recycler votre produit,

utilisez les réseaux de collecte de votre région ou prenez contact avec le revendeur du produit. Ce dernier pourra vous aider à le recycler.

Emerio B.V.
Oudeweg 115
2031 CC Haarlem
The Netherlands

Customer service:
T: +31 (0) 23 3034369
www.emerio.eu/service

Kundeninformation:
T: +49 (0) 3222 1097 600
www.emerio.eu/service

Klantenservice:
T: +31 (0) 23 3034369
www.emerio.eu/service

BELANGRIJKE VEILIGHEIDSINSTRUCTIES LEES ZORGVULDIG DOOR EN BEWAAR VOOR LATERE RAADPLEGING.

Volg altijd onderstaande voorzorgsmaatregelen wanneer u elektrische apparatuur gebruikt:

1. Dit apparaat mag worden gebruikt door kinderen vanaf 8 jaar en personen met beperkte fysieke, visuele of mentale vaardigheden, of die een gebrek aan ervaring en kennis hebben, indien ze gepaste instructies hebben gekregen zodat ze het apparaat op een veilige manier kunnen gebruiken, op de hoogte zijn van de gevaren die het gebruik van het apparaat met zich meebrengt en deze gevaren begrijpen.
2. Laat kinderen niet met het apparaat spelen.
3. Laat het reinigen en het onderhoud van het apparaat niet uitvoeren door kinderen tenzij ze ouder zijn dan 8 jaar en onder toezicht staan.
4. Houd het apparaat en snoer buiten het bereik van kinderen jonger dan 8 jaar.
5. Als het snoer is beschadigd, moet het worden vervangen door de fabrikant, zijn klantenservice of gelijksoortig geschoolde personen om gevaar te vermijden.
6. Dit apparaat is bestemd voor het gebruik in huishoudens en soortgelijke toepassingen zoals: personeelskeukens in winkels, kantoren of werkplekken; boerderijen; door gasten in hotels, motels en andere types van huisvesting; bed and breakfasts en vergelijkbare instellingen.
7. Het apparaat mag niet met een stoomreiniger worden gereinigd.
8. Gebruik geen metalen houder met voedsel of drank in de magnetron.
9. Voordat u de stekker in het stopcontact steekt, dient u te controleren of de stroom en de frequentie overeen komen met de specificaties van het typeplaatje.

10. WAARSCHUWING: Als de deur of de deurkoppelingen beschadigd zijn, mag de oven niet worden gebruikt totdat deze wordt gerepareerd door een vakbekwaam persoon.
11. WAARSCHUWING: Het is gevaarlijk voor iedereen met uitzondering van een bevoegd persoon om onderhoud of reparaties uit te voeren die het verwijderen van een afdekking die beschermen tegen de blootstelling van microgolfstraling behoeven.
12. WAARSCHUWING: Verwarm geen vloeistoffen of andere levensmiddelen in afgesloten houders, deze kunnen ontploffen.
13. De magnetron is alleen bestemd voor vrijstaand gebruik en mag niet in een keukenkastje geplaatst worden.
14. WAARSCHUWING: Wanneer het apparaat in de combinatiemodus wordt gebruikt, mogen kinderen de oven alleen onder toezicht gebruiken omdat hoge temperaturen worden opgewekt.
15. Let op dat het draaiplateau niet wordt verplaatst wanneer er houders uit het apparaat worden verwijderd.
16. De magnetronoven is bestemd voor het opwarmen van voedsel en drank. Het drogen van voedsel of kleding en het opwarmen van verwarmingskussentjes, slippers, sponzen, vochtige doeken en dergelijke kan leiden tot een risico op letsel, verhitting of brand.
17. Gebruik alleen keukengerei dat geschikt is voor gebruik in de magnetron.
18. Als u levensmiddelen in plastic of papieren dozen verhit, houd de oven in het oog vanwege brandgevaar.
19. Als rook wordt waargenomen, schakel het apparaat uit of haal de stekker uit het stopcontact en houd de deur gesloten om elke mogelijke vlam te doven.
20. Het in de magnetron verwarmen van drank kan resulteren in uitgesteld explosief koken. Wees aldus voorzichtig wanneer u de beker uit het apparaat neemt.

21. Roer of schud de inhoud van babypotjes en zuigflessen en controleer de temperatuur voor gebruik om brandwonden te voorkomen.
22. Het bereiden van gekookte eieren in de schaal in de magnetron kan ontploffingsgevaar veroorzaken, zelfs na de opwarming ten einde is.
23. Maak de oven regelmatig schoon en verwijder eventuele etensresten.
24. Nalaten de oven schoon te houden kan leiden tot achteruitgang van het oppervlak dat op zijn beurt kan leiden tot een kortere levensduur en mogelijk tot gevaarlijke situaties.
25. Om het risico op brand in de magnetronruimte zo veel mogelijk te beperken:
 - Kook de voedingsmiddelen niet te gaar.
 - Verwijder draadsluitingen van papieren of plastic zakken, voordat u deze in de magnetron plaatst.
 - Verwarm geen frituurolie of frituurvet in de magnetron gezien de temperatuur van de olie niet kan worden gecontroleerd.
 - Reinig de geleidende laag na gebruik met een vochtige doek en droog deze hierna af. Zo verwijdert u eventuele voedsel- of vetspatten. Overmatige vetaanslag kan oververhit raken en gaan roken of branden.
 - Wanneer voorwerpen in de magnetron beginnen te roken of te branden, houdt u de deur gesloten, schakelt u de magnetron uit en verbreekt u de stroomtoevoer.
 - Bij gebruik van wegwerpverpakkingen van plastic, papier of ander brandbaar materiaal dient u toezicht te houden.
26. Volg onderstaande richtlijnen om explosies of onverwacht koken te voorkomen:
 - Plaats geen gesloten kookgerei in de magnetron. Babyflesjes met een schroefdop of tuit worden beschouwd als gesloten kookgerei.
 - Voor de verhitting van vloeistoffen in de magnetron gebruikt u de schaal met de brede opening. Laat deze na

de kookperiode 20 seconden staan om kookvertraging te voorkomen.

- Aardappelen, worstjes en kastanjes dienen voor verhitting te worden geschild of doorgeprikt.
27. Na het koken is het kookgerei erg heet. Gebruik ovenwanten om de voedingsmiddelen uit de magnetron te halen. Voorkom brandwonden door hete stoom door de stoom uit de buurt van gezicht en handen te houden.
28. Til de verste hoek van de afdekking of plastic magnetrondeksel langzaam op en open popcorn- en ovenzakken voorzichtig en houdt deze uit de buurt van uw gezicht.
29. Zo voorkomt u het breken van het draaiplateau:
- Laat het draaiplateau voor de reiniging afkoelen.
 - Plaats geen hete voedingsmiddelen of kookgerei op het koude draaiplateau.
 - Plaats geen bevroren voedingsmiddelen of kookgerei op het hete draaiplateau.
30. Zorg ervoor dat het kookgerei de binnenwand tijdens het kookproces niet aanraakt.
31. Bewaar geen voedingsmiddelen of andere zaken in de magnetron.
32. Gebruik de magnetron niet zonder vloeistof of voedingsmiddelen. Hierdoor kan de magnetron beschadigd raken.
33. Kookgerei dat niet door de fabrikant wordt aanbevolen, kan lichamelijk letsel veroorzaken.
34. Gebruik het apparaat niet buiten.
35. Het apparaat dient niet bediend te worden door middel van een externe tijdschakelaar of door middel van een apart systeem met afstandsbediening.



36.  Opgelet, heet oppervlak.

WAARSCHUWING!! Raak het oppervlak niet aan tijdens het

gebruik. De temperatuur van de toegankelijke oppervlakken kan hoog oplopen als het apparaat in werking is.

37. Lees a.u.b. de paragraaf “Reiniging en onderhoud” in de handleiding voor instructies m.b.t. de reiniging van oppervlaktes die in contact met voedsel komen.

38. Zet het apparaat niet in een kast. Zie de installatie-instructies hoe u het apparaat dient te installeren.

39. Dit is een groep 2 klasse B apparaat.

Dit apparaat is groep 2 aangezien het met opzet radiofrequentie energie genereert voor het opwarmen van levensmiddelen of waren.

Dit apparaat is klasse B aangezien het geschikt is voor gebruik in een huishoudelijke omgeving of een instelling die rechtstreeks dient te worden verbonden met een elektriciteitsdistributienet met laagspanning, die gebouwen voor huishoudelijke doeleinden van stroom voorziet.

WERKING VAN DE MAGNETRON

- Een microgolf is een soort elektromagnetische golf in een hoge frequentie. Microgolven komen gewoon in de natuur voor. Maar de microgolven die in de natuur voorkomen, zijn zo verspreid dat zij niet voor verhittingsdoeleinden kunnen worden gebruikt. Het hoofdelement van de magnetron zet de energie van elektriciteit om in microgolven en er ontstaat een groot veld van microgolven in de gesloten magnetron. De moleculen in het voedsel vibreren hierdoor in hoge snelheid en door de geproduceerde wrijvingswarmte wordt het voedsel snel gaar.
- Microgolven hebben 3 belangrijke eigenschappen:
 - Absorbeerbaarheid: De microgolf veroorzaakt een extreme vibratie van voedselmoleculen, zodat er warmte ontstaat. Maar het absorptievermogen is in hoge mate afhankelijk van de afmeting, de dikte en de eigenschappen van het voedsel.
 - Doordringbaarheid: Microgolven kunnen keramiek, glas en hittebestendig plastic doordringen. U dient kookgerei te gebruiken dat is gemaakt van materiaal dat optimaal door microgolven kan worden doordrongen. Zo verkrijgt u het beste resultaat. Zie onderstaande lijst met kookgerei.
 - Reflectievermogen: Microgolven worden gereflecteerd door de metalen binnenwand van de magnetron voor de vorming van een gelijkmatig magnetisch veld. Hierdoor wordt oververhitting van een bepaald deel voorkomen.

INSTALLATIE VAN DE MAGNETRON

- Ter waarborging van voldoende ventilatie dient de afstand van de achterkant van de magnetron tot de muur of de kastwand ten minste 10 cm te bedragen. Voor de zijkanten van de magnetron tot de muur of kastwand dient een afstand van minimaal 5 cm te worden aangehouden en tussen de bovenkant en het plafond of de kastwand dient een afstand van minimaal 20 cm te worden aangehouden. De afstand tot de grond moet minimaal 85 cm bedragen.
- Plaats geen voorwerpen op de magnetron.
- De magnetron mag niet in de buurt van een tv, radio of antenne worden geplaatst, omdat dit tot beeldstoringen of lawaai kan leiden. De afstand dient meer dan 5m te zijn.
- Plaats de magnetron zodanig dat de stekker toegankelijk is.
- De magnetron is alleen bestemd voor vrijstaand gebruik en mag niet in een keukenkastje geplaatst worden.

RICHTLIJN VOOR HET GEBRUIK VAN KEUKENGEREI

Controleer voor gebruik of het keukengerei geschikt is voor gebruik in de magnetron. Neem de onderstaande tabel als referentie.

Materiaal van het vaatwerk	Magnetron	Opmerkingen
Warmtebestendig keramiek	Ja	Gebruik nooit de keramiek dat is versierd met een metalen rand of geglazuurd
Warmtebestendig kunststof	Ja	Kan niet worden gebruikt voor langdurig gebruik in de magnetron
Warmtebestendig glas	Ja	
Vershoudfolie	Ja	Het mag niet worden gebruikt bij het koken van vlees of karbonades, omdat de overtemperatuur de folie kan beschadigen
Grillrooster	Nee	

Metalen vaatwerk	Nee	Het mag niet in een magnetron worden gebruikt. De magnetron kan niet door metaal dringen.
Lak	Nee	Slecht hittebestendig. Kan niet worden gebruikt voor koken op hoge temperatuur
Bamboe en papier	Nee	Slecht hittebestendig. Kan niet worden gebruikt voor koken op hoge temperatuur

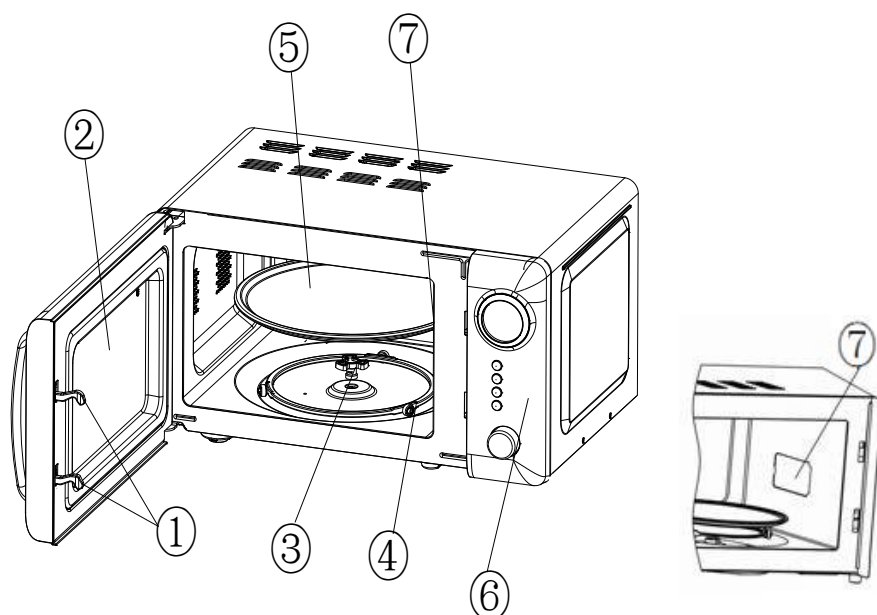
EERSTE GEBRUIK

Tijdens de productie kunnen stof of olieresten in de magnetron of op het verwarmingselement achterblijven. Tijdens het gebruik kan hierdoor geur-of rookontwikkeling ontstaan. Dit is een normaal verschijnsel dat na enkele keren vanzelf verdwijnt. Houd deuren of ramen geopend voor een goede ventilatie.

Ga in dergelijke gevallen als volgt te werk:

Plaats bij de magnetron zonder geïntegreerde grillfunctie een beker water op het draaiplateau. Stel in op hoog vermogen en verwarm de magnetron enkele keren.

PRODUCTBESCHRIJVING



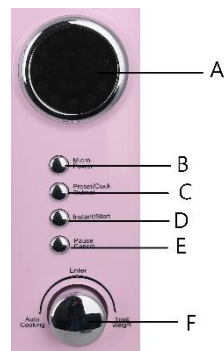
1. **Deurvergrendeling** zorgt ervoor dat de magnetronoven alleen kan worden geactiveerd als de deur goed is gesloten.
2. **Kijkvenster** de kookstatus kan worden bekeken door een metalen gaas.
3. **Roterende as** het glazen draaiplateau zit op de as; de motor eronder drijft het draaiplateau aan.
4. **Roterende ring** ondersteuning voor het glazen draaiplateau
5. **Glazen draaiplateau** draait om het voedsel gelijkmatig te verwarmen tijdens het koken. Aanbevolen te gebruiken tijdens het koken.
6. **Bedieningspaneel** zie hieronder voor meer informatie (het bedieningspaneel kan zonder voorafgaande kennisgeving worden gewijzigd)
7. **Waveguide-afdekking (niet verwijderen)** bescherm de waveguide-does tegen spatten van voedsel.

Let op:

Plaats eerst de draaiende ring. Plaats het glazen draaiplateau op de draaiende as en zorg ervoor dat deze goed vast grijpt.

BEDIENINGSPANEEL

- A. Digitaal display
- B. Micro power
- C. Preset/clock/defrost-knop
- D. Instant/start-knop
- E. Pause/cancel-knop
- F. Auto cooking/enter/tijd of gewicht-knop



GEBRUIK

1. Voor het koken

De led zal 3 keer knipperen als de stekker in het stopcontact wordt gestoken. Daarna knippert het symbool “:” om u het kookmenu en de tijd te laten invoeren.

2. Snelle start

Bij het aansluiten, als u snel wilt beginnen. U kunt één keer op de knop “Instant/start” drukken. Het apparaat werkt dan met de standaard instelling (micro power: 100p; tijd: 1 minuut).

3. Automatische herinnering

Wanneer de vooraf ingestelde bereidingsprocedure is afgelopen, verschijnt **End** op het led-display en hoort u drie keer een akoestisch signaal dat u eraan herinnert, het eten eruit te halen. Als u niet op de knop “Pause/cancel” drukt of de deur opent, is het akoestisch signaal alle 3 minuten te horen.

4. Pause/cancel

In de begin- of invoer stadium: druk een keer op de knop “Pause/cancel” om de ingevoerde programma’s te wissen en opnieuw te beginnen bij de beginfase.

Tijdens het koken: druk een keer op de knop “Pause/cancel” om het gebruik van de magnetron te stoppen, druk twee keer om het koken te annuleren.

5. Magnetron koken

Druk achtereenvolgens op de knop “Micro Power”, waarna de led-cyclus het volgende toont: 100P, 80P...20P

100P	Hoog vermogen 700W	100% magnetronvermogen. Toepasbaar voor snel en grondig koken
80P	Gemiddeld hoog vermogen 550W	80% magnetronvermogen. Toepasbaar voor het gemiddeld snel koken
60P	Gemiddeld vermogen 424W	60% magnetronvermogen. Toepasbaar voor het stomen van voedsel
40P	Gemiddeld laag vermogen 275W	40% magnetronvermogen. Toepasbaar voor het ontdooien van voedsel
20P	Laag vermogen 148W	20% magnetronvermogen. Van toepassing om eten warm te houden

OPMERKING:

- 1) De maximale tijd die kan worden ingesteld is 60 minuten.
- 2) Gebruik de magnetron nooit leeg.
- 3) Bij het maximale magnetronvermogen zal de magnetron na een bepaalde bereidingstijd automatisch het vermogen verlagen om de levensduur te verlengen.
- 4) Als u tijdens het gebruik het voedsel omdraait, drukt u een keer op de knop “Instant/Start” waarna de vooraf ingestelde bereidingsprocedure wordt voortgezet.
- 5) Als u het voedsel vóór de vooraf ingestelde tijd wilt verwijderen, moet u een keer op de knop “Pause/Cancel” drukken om de vooraf ingestelde procedure te wissen om onbedoelde bediening bij het volgende gebruik te voorkomen.

6) Het wordt aanbevolen om handschoenen te dragen bij het verwijderen van gekookt voedsel uit de magnetronoven en wees voorzichtig dat u het verwarmingselement bovenin de gaarruimte niet aanraakt.

Voorbeeld: Koken op 80P gedurende 10 minuten.		
Stappen		Display
1	Na het starten knippert de dubbele punt.	:
2	Selecteer het gewenste magnetronvermogen door op de knop "Micro Power" achtereenvolgens in te drukken.	80P
3	Stel de kooktijd in door de knop "Auto Cooking/Enter/Time" te draaien . Gewicht"-knop.	10:00
4	Druk op de knop "Instant/Start" om te beginnen met koken en de led telt af om de tijd weer te geven.	

6. ONTDOOIEN

Deze functie wordt gebruikt voor het ontdooien van voedsel; Druk achtereenvolgens op de knop "Preset/Clock.Defrost" en het led-display toont achtereenvolgens d.1-d.2-d.3.

d.1	Voor het ontdooien van vlees varieert het gewicht van 0,1 tot 2,0 kg.
d.2	Voor het ontdooien van gevogelte varieert het gewicht van 0,2 tot 3,0 kg.
d.3	Voor het ontdooien van zeevruchten varieert het gewicht van 0,1 tot 0,9 kg.

OPMERKING:

- 1) Het voedsel moet tijdens het gebruik worden gedraaid om een gelijkmatig effect te verkrijgen.
- 2) Meestal duurt het ontdooien langer dan het bereiden van voedsel.
- 3) Als het voedsel met een mes kan worden gesneden, kan het ontdooiproces als voltooid worden beschouwd.
- 4) Microgolven dringen ongeveer 4 cm in het meeste voedsel.
- 5) Ontdooide levensmiddelen moeten zo snel mogelijk worden geconsumeerd. Het is niet aan te bevelen om ze terug te plaatsen in de koelkast en opnieuw te bevriezen.

Voorbeeld: Om 0,4 kg gevogelte te ontdooien		
Stappen		Display
1	Na het starten knippert de dubbele punt	:
2	Druk op de "Preset /Clock. Defrost" knop om het soort voedsel in te stellen.	d.2
3	Draai de "Auto cooking/Enter/Time. Weight"-knop om het te ontdooien gewicht in te stellen	0,4
4	Begin met koken door op de knop "Instant/Start" te drukken	
5	Halverwege tijdens het ontdooien hoort u 3 keer een akoestisch geluid dat u erop attent maakt, het voedsel te draaien. Open de deur en draai het voedsel. Sluit de deur vervolgens weer. Druk opnieuw op de knop "Instant/Start" om door te gaan met ontdooien	

7. AUTO COOKING

De magnetron heeft een standaard kookmenu voor eenvoudig gebruik. Wanneer de led een dubbele punt knippert, draait u aan de "Auto cooking/Enter/Time. Weight"-knop waarna de led na elkaar A-01, A-02 A-12 laat zien. Druk op de knop om het gewenste menu in te stellen en draai de knop vervolgens nogmaals om het kookgewicht in te stellen.

Kies het juiste menu volgens het type voedsel en het gewicht en volg strikt de aanwijzingen in de onderstaande tabel op, anders zal het kookeffect duidelijk worden beïnvloed.

Display	Soort	Gewicht
A-01	Popcorn	Alles bij elkaar zijn er twee keuzes (3,0 Oz en 3,5 Oz)

A-02	Aardappelen	Alles bij elkaar zijn er twee keuzes (0,45 kg en 0,65 kg)
A-03	Groente	Alles bij elkaar zijn er vijf keuzes (0,1, 0,2-----0,5 kg)
A-04	Vlees	Alles bij elkaar zijn er zes keuzes (0,2, 0,3-----0,7 kg)
A-05	Vis	Alles bij elkaar zijn er zes keuzes (0,2, 0,3-----0,7 kg)
A-06	Kip	Alles bij elkaar zijn er zes keuzes (0,2, 0,3-----0,7 kg)
A-07	Opwarmen	Alles bij elkaar zijn er vijf keuzes (0,2, 0,4-----1,0 kg)
A-08	Drank	Alles bij elkaar zijn er twee keuzes (250 ml en 500 ml)
A-09	Rijst	Alles bij elkaar zijn er vijf keuzes (0,1, 0,2-----0,5 kg)
A-10	Pasta	Alles bij elkaar zijn er vijf keuzes (0,1, 0,2-----0,5 kg)
A-11	Brood	Alles bij elkaar zijn er vijf keuzes (0,1, 0,2-----0,5 kg)
A-12	Pizza	Alles bij elkaar zijn er twee keuzes (1 deel en 2 delen)

Opmerking:

1) De temperatuur van voedsel vóór het koken zou 20-25 °C bedragen. Een hogere of lagere temperatuur van het voedsel voor het koken zou een toename of afname van de kooktijd veroorzaken.

2) De temperatuur, het gewicht en de vorm van het voedsel hebben een grote invloed op het kookeffect. Als er een afwijking bestaat op de factor die is genoteerd in het menu hierboven, kunt u de bereidingstijd aanpassen voor het beste resultaat.

Voorbeeld: Stoom 0,4 kg vis		
Stappen		Display
1	Na het starten knippert de dubbele punt	:
2	Draai de "Auto Cooking/Enter/Time. Weight"-knop om het gewenste kookmenu te kiezen	A-05
3	Druk op de "Auto Cooking/Enter/Time. Weight"-knop om te bevestigen	A-05
4	Draai de "Auto Cooking/Enter/Time. Weight"-knop om het gewicht in te stellen	0,4
5	Begin met koken door op de knop "Instant/Start" te drukken	

8. Klok instelling

Met de "Preset /Clock. Defrost"-knop kunt u de huidige of vooraf ingestelde tijd invoeren als ":" op het led-display knippert nadat de stekker in het stopcontact is gestoken of probeer het over te slaan mocht dat niet nodig zijn.

Voorbeeld voor het instellen van 12:30		
Stappen		Display
1	Na het starten knippert de dubbele punt	:
2	Houd de "Preset/Clock.Defrost"-knop gedurende 3 seconden ingedrukt	00:00
3	Stel de uren in door de "Auto Cooking/Enter/Time. Weight"-knop te draaien	12:00
4	Druk opnieuw op de "Preset/Clock.Defrost"-knop om de uren te bevestigen	12:00
5	Stel de minuten in door de "Auto Cooking/Enter/Time. Weight"-knop te draaien	12:30
6	Druk een keer op de "Preset/Clock.Defrost"-knop en wacht gedurende 5 seconden, waarna de cijfers niet meer knipperen.	12:30

9. Automatic starting (vertraagde functie)

Als u niet wilt dat het menu onmiddellijk wordt gestart, kunt u het kookmenu en de tijd vooraf instellen en wordt het vooraf ingestelde menu automatisch op het door u ingestelde tijdstip gestart. De instelling bestaat uit 3 stappen:

- 1) Stel de huidige klok in;
- 2) Stel het kookmenu en de tijd in;

3) Stel de tijd in waarop u wilt dat het programma start.

Voorbeeld: Nu is het 12:30 uur. Als u wilt dat de magnetron automatisch begint te koken met 100P magnetronvermogen gedurende 9 minuten en 30 seconden op 14.20 uur		
Stappen		Display
1	Na het starten knippert de dubbele punt	:
1,1	Houd de "Preset/Clock.Defrost"-knop gedurende 3 seconden ingedrukt	00:00
1,2	Stel de uren in door de "Auto Cooking/Enter/Time. Weight"-knop te draaien	12:00
1,3	Druk opnieuw op de "Preset/Clock.Defrost"-knop om de uren te bevestigen	12:00
1,4	Stel de minuten in door de "Auto Cooking/Enter/Time. Weight"-knop te draaien	12:30
1,5	Druk een keer op de "Preset/Clock.Defrost"-knop en wacht gedurende 5 seconden, waarna de cijfers niet meer knipperen.	12:30
2	Stel het kookmenu en de tijd in	
2,1	Selecteer het kookvermogen door op de "Micro Power"-knop te drukken	100P
2,2	Draai de "Auto Cooking/Enter/Time. Weight"-knop om de kooktijd in te stellen	09:30
3	Druk gedurende 3 seconden op de "Preset/Clock.Defrost"-knop om terug te keren naar de huidige tijd	12:30
3,1	Stel de tijd in waarop u wilt dat het programma start. Herhaal de stappen van 1.2, 1.3, 1.4	14:20
4	Druk op de "Preset/Clock.Defrost"-knop om het vertraagde menu te bevestigen. Nu is het programma geactiveerd. En het menu start om 14.20 uur.	
5	U kunt de vooraf ingestelde starttijd controleren door op de knop "Preset/Clock.Defrost" te drukken.	

Opmerking:

Als u het ingestelde programma onmiddellijk wilt starten zonder te wachten, drukt u gewoon op de knop "Instant/Start"; als "Automatic starting" moet worden geannuleerd, drukt u op de "Pause/Cance"-knop.

10. Multi-sequence cooking

Om het beste kookresultaat te bereiken, moeten sommige recepten in verschillende kookmodi en met verschillende tijden worden gekookt. U kunt uw gepersonaliseerde menu als volgt programmeren:

Voorbeeld: U wilt het voedsel met 100P magnetron gedurende 3 minuten en vervolgens 20P gedurende 9 minuten koken. Dit is is een instelling met 2 stappen.		
Stappen		Display
1	100P magnetron gedurende 3 minuten	
1,1	Druk op de "Micro Power"-knop om het vermogensniveau te selecteren.	100P
1,2	Draai de "Auto Cooking/Enter/Time. Weight"-knop om de kooktijd in te stellen.	03:00
2	20P gedurende 9 minuten	
2,1	Druk op de "Micro Power"-knop om het vermogensniveau te selecteren	20P
2,2	Draai de "Auto Cooking/Enter/Time. Weight"-knop om de kooktijd in te stellen.	09.00
3	Begin met koken door op de knop "Instant/Start" te drukken	

Opmerking:

- 1) Wanneer 100P klaar is, begint de magnetron automatisch met het volgende programma.
- 2) U kunt max. 4 instellingen per keer instellen, herhaal de stappen.

11. Kinderslot-functie

Gebruik deze functie om het bedieningspaneel te vergrendelen wanneer u het reinigt of zodat de kinderen de

magnetron niet zonder toezicht kunnen gebruiken. Alle knoppen worden in deze modus onbruikbaar gemaakt. Om de kinderbeveiliging in te stellen, houdt u de knop "Pause/Cancel" gedurende ongeveer 3 seconden ingedrukt totdat de led OFF laat zien.

Om kinderbeveiliging te ontgrendelen, houdt u de knop "Pause/Cancel" gedurende ongeveer 3 seconden ingedrukt totdat OFF verdwijnt.

REINIGING EN ONDERHOUD

De magnetron moet regelmatig worden gereinigd en voedselresten moeten worden verwijderd.

Wij raden u aan de onderstaande stappen na ieder gebruik uit te voeren.

Gebruik nooit een agressief reinigingsmiddel, benzine, schuurpoeder of een metalen borstel om willekeurig welk deel dan ook van het apparaat te reinigen.

Reinig de magnetron in regelmatige afstanden.

Trek voor het reinigen de stekker uit het stopcontact. En laat indien mogelijk de deur open om de magnetron tijdens het reinigen inactief te maken.

Buitenkant:

De buitenkant kan worden schoongemaakt met een zachte en vochtige doek. Vermijd het gebruik van agressieve schurende reinigingsmiddelen.

Deur:

Veeg de deur en het raam aan de zijkanten, de deurafdichtingen en aangrenzende onderdelen regelmatig af met een zachte en vochtige doek om gemorst voedsel of spatten te verwijderen. Gebruik geen schurende reinigingsmiddelen.

Bedieningspaneel:

Wees voorzichtig bij het schoonmaken van het bedieningspaneel. Veeg het paneel schoon met een zachte, iets vochtige doek. Niet schrobben en geen chemische reinigingsmiddelen gebruiken.

Binnenwanden:

Om de binnenoppervlakken te reinigen, veegt u ze om hygiënische redenen af met een zachte en vochtige doek. Na gebruik de afdekking van de waveguard in de magnetron met een zachte, vochtige doek afnemen om spatten van voedsel te verwijderen. Spatten kunnen oververhit raken en beginnen te roken of vlam vatten. Verwijder de afdekking van de waveguard niet. Gebruik geen commerciële magnetronreinger, schurende of agressieve schoonmaakmiddelen en schuursponsjes op enig deel van uw magnetron. Spuit nooit magnetronreinigers rechtstreeks op enig deel van uw magnetron.

Draaiplateau/roterende ring/roterende as:

Na het afkoelen wast u ze met een mild zeepsopje af en droogt u ze vervolgens grondig af.

Tip:

Wanneer de magnetronoven lange tijd is gebruikt, kunnen er vervelende geurtjes in de magnetron ontstaan. De volgende 3 methoden kunnen deze verwijderen. 1. Plaats enkele citroenschijfjes in een kopje en verwarm ze op vol vermogen gedurende 2 à 3 minuten. 2. Plaats een kop rode thee in de magnetron en verwarm het op vol vermogen. 3. Doe wat sinaasappelschillen in de magnetron en verwarm ze dan gedurende 1 minuut op vol vermogen.

Service

Waarschuwing: het is gevaarlijk voor iedereen, behalve een gekwalificeerde servicemonteur, om service of reparatie uit te voeren waarbij de behuizing wordt verwijderd die bescherming biedt tegen blootstelling aan microgolvenenergie.

Let op: MICROGOLFSTRALING

Waarschuwing:

Raak niet blootgesteld aan straling van de microgolfgenerator of andere delen die microgolvenenergie geleiden.

De hoogspanningscondensator blijft na ontkoppeling geladen; sluit de negatieve pool van de hoogspanningscondensator naar het chassis van de magnetron kort (gebruik een schroevendraaier) om te ontladen voordat u deze aanraakt.

Tijdens reparaties kunnen onderstaande onderdelen worden verwijderd. Deze onderdelen hebben een vermogen van boven 250V:

- Magnetron;
- Hoogspanningstransformator;
- Hoogspanningscondensator;
- Hoogspanningsdiode;
- Hoogspanningsbeveiliging.

Onderstaande omstandigheden kunnen ertoe leiden dat u tijdens reparatiewerkzaamheden wordt blootgesteld aan microgolven.

- Onjuiste installatie van de magnetron.
- Deurvergrendeling, scharnier en deur sluiten niet goed.
- Onjuiste installatie van schakelaarsteun.
- Deur, deurafdichting of behuizing is beschadigd.

TECHNISCHE GEGEVENS

Bedrijfsspanning: 230V~ 50Hz

Ingangsvermogen (magnetron): 1150W

Uitgangsvermogen van magnetron: 700W

Magnetron frequentie: 2450 MHz

GARANTIE EN KLANTENSERVICE

Vóór de levering worden onze apparaten streng gecontroleerd. Indien het toestel ondanks alle zorg bij de productie of tijdens het transport beschadigd werd, moet u het naar de handelaar terugbrengen. Naast het wettelijke recht op waarborg heeft de klant recht op de volgende garantieclaim:

Wij geven een garantie van 2 jaar op het toestel, te beginnen met de koopdatum. Indien u een defect product heeft, kunt u rechtstreeks terug gaan naar het aankooppunt.

Gebreken die het gevolg zijn van ondeskundig gebruik van het toestel, fouten tijdens ingrepen en reparaties door derden of door de inbouw van vreemde onderdelen, vallen niet onder deze garantie. Bewaar altijd uw aankoopnota, zonder aankoopnota kunt u geen aanspraak maken op enige vorm van garantie. Bij schade veroorzaakt door het niet opvolgen van de gebruiksaanwijzing vervalt het recht op garantie. Voor vervolgschade die hieruit ontstaat kunnen wij niet verantwoordelijk gehouden worden. Voor materiële schade of persoonlijk letsel veroorzaakt door ondeskundig gebruik of het niet opvolgen van de veiligheidsvoorschriften zijn wij niet aansprakelijk. In dergelijke gevallen vervalt iedere aanspraak op garantie. Schade aan accessoires of onderdelen betekend niet dat het gehele apparaat zal worden vervangen. Afgebroken glazen of kunststof onderdelen of accessoires vallen niet onder de garantie en zullen tegen vergoeding vervangen kunnen worden. Defecten aan hulpstukken of aan slijtage onderhevige onderdelen, alsmede reiniging, onderhoud of de vervanging van slijtende delen vallen niet onder de garantie en zullen dus in rekening gebracht worden.

MILIEUVRIENDELIJKE AFVALVERWERKING



Recycling – Europese Richtlijn 2012/19/EU

Deze markering betekent dat dit product niet samen met ander huishoudelijk afval mag worden afgedankt. Om het milieu en de volksgezondheid niet in gevaar te brengen en het hergebruik van grondstoffen te bevorderen, moet dit product op verantwoordelijke wijze worden afgevoerd. Lever

verbruikte apparatuur a.u.b. in bij de hiervoor bestemde inzamelpunten of bij de winkel waar het product was aangeschaft. Zij zullen dit product accepteren voor milieuvriendelijke afvalverwerking.

Emerio B.V.
Oudeweg 115
2031 CC Haarlem
The Netherlands

Customer service:
T: +31 (0) 23 3034369
www.emerio.eu/service

Kundeninformation:
T: +49 (0) 3222 1097 600
www.emerio.eu/service

Klantenservice:
T: +31 (0) 23 3034369
www.emerio.eu/service