

Instruction manual – English

IMPORTANT SAFETY INSTRUCTIONS

READ CAREFULLY AND KEEP FOR FUTURE REFERENCE

The following basic precautions should always be followed when using electrical appliance:

1. This appliance can be used by children aged from 8 years and above and persons with reduced physical, sensory or mental capabilities or lack of experience and knowledge if they have been given supervision or instruction concerning use of the appliance in a safe way and understand the hazards involved.
2. Children shall not play with the appliance.
3. Cleaning and user maintenance shall not be made by children unless they are aged from 8 years and supervised.
4. Keep the appliance and its cord out of reach of children less than 8 years.
5. If the supply cord is damaged, it must be replaced by the manufacturer, its service agent or similarly qualified persons in order to avoid a hazard.
6. This appliance is intended to be used in household and similar application such as: staff kitchen areas in shops, offices and other working environments; farm houses; by clients in hotels, motels and other residential type environments; bed and breakfast type environments.
7. The appliance shall not be cleaned with a steam cleaner.
8. Metallic containers for food and beverages are not allowed during microwave cooking.
9. Before inserting the plug into the mains socket, please check that the voltage and frequency comply with the specifications on the rating label.
10. **WARNING:** If the door or door seals are damaged, the oven must not be operated until it has been repaired by a competent person.
11. **WARNING:** It is hazardous for anyone other than a competent person to carry out any service or repair operation that involves the removal of a cover which gives protection against exposure to microwave energy.
12. **WARNING:** Liquids and other foods must not be heated in sealed containers since they are liable to explode.
13. The microwave oven is intended to be used freestanding and shall not be placed in a cabinet.
14. **WARNING:** When the appliance is operated in the combination mode, children should only use the oven under adult supervision due to the temperatures generated.
15. Care should be taken not to displace the turntable when removing containers from the appliance.
16. The microwave oven is intended for heating food and beverages. Drying of food or clothing and heating of warming pads, slippers, sponges, damp cloth and similar may lead to risk of injury, ignition or fire.
17. Only use utensils that are suitable for use in microwave ovens.
18. When heating food in plastic or paper containers, keep an eye on the oven due to the possibility of ignition.
19. If smoke is emitted, switch off or unplug the appliance and keep the door closed in order to stifle any flames.
20. Microwave heating of beverages can result in delayed eruptive boiling, therefore care must be taken when handling the container.
21. The contents of feeding bottles and baby food jars shall be stirred or shaken and the temperature checked before consumption, in order to avoid burns.
22. Eggs in their shell and whole hard-boiled eggs should not be heated in microwave ovens since they may explode, even after microwave heating has ended.
23. The oven should be cleaned regularly and any food deposits removed.
24. Failure to maintain the oven in a clean condition could lead to deterioration of the surface that could adversely affect the life of the appliance and possibly result in a hazardous situation.
25. To reduce the risk of fire in the microwave oven cavity:
 - Do not overcook the food.

- Remove wire twist-ties from paper or plastic bags before placing bags in the microwave oven.
 - Do not heat oil or fat for deep frying as the temperature of oil cannot be controlled.
 - After use wipe the waveguide cover with a damp cloth, followed by dry cloth to remove any food splashes and grease. Built-up grease may overheat and begin to cause smoke or catch fire.
 - If materials inside the microwave oven should smoke or ignite, keep microwave oven door closed, turn off the microwave oven and disconnect the power supply.
 - Close supervision is necessary when using disposable containers made from plastic, paper or other combustible material.
26. To reduce the risk of explosion and sudden boiling:
- Do not place sealed containers in the microwave oven. Baby bottles fitted with a screw cap or teat are considered to be sealed containers.
 - When boiling liquid in the microwave oven, use the wide-mouthed container and let it stand about 20 seconds at the end of cooking to avoid delayed eruptive boiling of liquids.
 - Potatoes, sausage and chestnut should be peeled or pierced before cooking.
27. After cooking, the container is very hot. Using gloves to take out the food and avoid steam burns by directing steam away from the face and hands.
28. Slowly lift the furthest edge of dishes cover and microwave plastic wrap and carefully open popcorn and oven cooking bags away from the face.
29. To prevent the turntable from breaking:
- Let the turntable cool down before cleaning.
 - Do not place hot foods or utensils on the cold turntable.
 - Do not place frozen foods or utensils on the hot turntable.
30. Make sure the utensils do not touch the interior walls during cooking.
31. Do not store food or any other things inside the microwave oven.
32. Do not operate the microwave oven without any liquid or food inside the microwave oven. This would do damage the microwave oven.
33. Any accessories not recommended by the manufacturer may cause injuries to person.
34. Do not use outdoors.
35. The machine should not be operated by means of an external timer-switch or by means of a separate system with remote control.



36. Caution, hot surface.

WARNING!! Please do not touch surface while in use. The temperature of accessible surfaces may be high when the appliance is operating.

37. Regarding the instructions for cleaning the surfaces which come in contact with food, please refer to the paragraph “cleaning and maintenance” of the manual.
38. Do not place the appliance in a cabinet. See the instructions for installation for how to install the appliance.
39. This is group 2 class B appliance.

This appliance is group 2 as it intentionally generate radio-frequency energy for heating food or stuff. This appliance is class B as it is suitable for use in locations in residential environments and in establishments directly connected to a low voltage power supply network which supplies buildings used for domestic purposes.

OPERATION THEORY OF MICROWAVE OVEN

- Microwave is a kind of high frequency electromagnetic wave, which is commonly distributed in the nature. But the existing form of microwave is dispersed so that it cannot be collected together for heating purpose. The key component of magnetron of microwave oven will transform the energy of electricity to microwave and huge energy of microwave field is established under the closed cavity. So the molecule of food is caused to vibrate at very high speed and the friction heat produced will cook the food in a fast way.
- There are 3 properties of microwave, that is:
 - Absorbability, the microwave can cause the excess vibration of molecule of various foods so as to obtain the heating purpose. But the infiltration ability is largely depending on the size, thickness and properties of the food.
 - Penetrability, microwave can penetrate through ceramics, glass, temperature-resistant plastics. It is required to use the containers whose material have good microwave penetrability to achieve best heating result. See the below utensils guide.
 - Reflectivity, microwave would be reflected by the metal wall of interior cavity so as to establish an even magnetic field, thus can prevent the overheating of partial area.

INSTALLATION OF MICROWAVE OVEN

- To ensure sufficient ventilation, the distance of the back of microwave to the wall should be at least 10 cm; the side to the wall should be at least 5cm; the free distance above the top surface should be at least 20 cm; and the distance of the microwave to the ground should be at least 85 cm.
- Do not place any objects on the top of microwave oven.
- The position of the oven shall be such that it is far from the TV, Radio or antenna as picture disturbance or noise may occur. The distance should be more than 5m.
- The appliance must be positioned so that the plug is accessible.
- The microwave oven is intended to be used freestanding and shall not be placed in a cabinet.

UTENSILS GUIDELINE

Before use, check those utensils if they are suitable for use in microwave oven. Take the reference of below table.

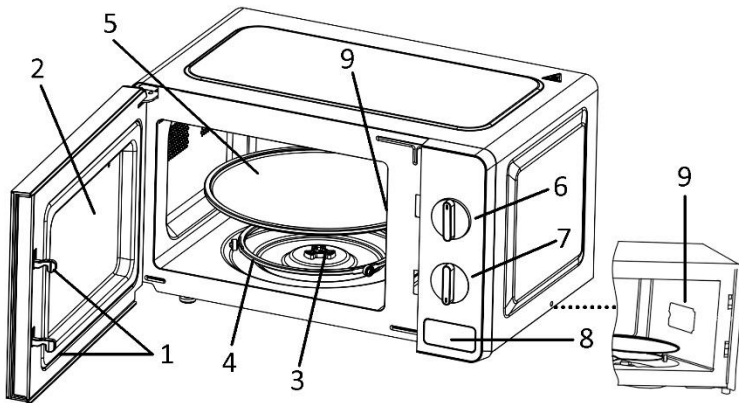
Material of container	Microwave	Notes
Heat-resistant ceramic	Yes	Never use the ceramics which are decorated with metal rim or glazed
Heat-resistant plastic	Yes	Cannot be used for long time microwave cooking
Heat-resistant glass	Yes	
Plastic film	No	
Grill rack	No	
Metal container	No	It should not be used in a microwave oven. Microwave cannot penetrate through metal.
lacquer	No	Poor heat-resistant. Cannot be used for High-temperature cooking
Bamboo wood and paper	No	Poor heat-resistant. Cannot be used for High-temperature cooking

FOR THE FIRST USE

As there is manufacturing residue or oil remained on the oven cavity or heat element, it usually gives some odour, even a slight smoke, it is normal and would not occur after several times use, keep a door or window open to ensure good ventilation.

It is strongly recommended to operate as follows: place a cup of water in the turntable and set at high power and operate for several times.

PRODUCT INTRODUCTION



1. **Door interlock** ensures that microwave oven can only be activated when the door is properly closed.
2. **Viewing Window** cooking status can be viewed through metal mesh.
3. **Rotating axis** the glass turntable sits on the axis; the motor underneath drives the turntable to rotate.
4. **Rotating ring** supporting the glass turntable
5. **Glass turntable** it turns to make food heated evenly when cooking, recommend using it when cooking.
6. **Timer**
The max length could be set is 30 minutes, when timer goes to the 0 position, a bell prompt will be heard.
7. **Function knob**
Microwave cooking (6 power level selections)
 - 700W (quick cooking)
 - 600W (normal cooking)
 - 460W (slow cooking)
 - 280W (drinks or soup)
 - Defrost
 - 120W (keeping warm)
8. **Door release button**
Press the door release button, you can open the door to take the food in or out.
9. **Waveguide cover (do not remove)** protect the waveguide box from splashes of food.

Caution:

Place the rotating ring first. Fit the glass turntable onto the rotating axis and make sure it is geared properly.

OPERATION

- Connect the microwave oven to power supply. Before connecting the cord, make sure the timer is set to 0 position.
- Open the door by pressing the door release button and place the food on the rotate plate, then close the door.
- Set the function selector.
- Set the timer. If your set time is less than 10 minutes, first turn the timer to over 10 minutes position and

then turn back to your desired time.

- Then the oven begins to operate. And the operation process can be terminated at any time just by opening the door. Once the door is closed the process will be continued.
- A bell ring will be heard after time out. And the oven is de-energized and lamp will be off.

Caution: If food is removed before time out, make sure the timer is set back to “0” position so as to avoid unintentional running without load.

Note: It is recommended to wear gloves when removing the cooked food from oven and be careful do not touch the heat element on the top of cavity.

DEFROST NOTES

Defrost the frozen food is one of utilities of microwave oven, it is safe than room temperature defrosting as it would not help the growth of deleterious bacteria.

- Turn the function selector to defrost setting.
- Set the timer, which is dependent on the frozen food. It usually required longer time than ordinary cooking. Turn the food at least one time to check the doneness. If the defrosted food can be cut by knife defrosting period can be terminated.

Note: The thickness of microwave can penetrate through food from single side is not more than 4cm, if defrosting thick and chunky food, for obtaining the best result, turn over the food constantly. Remove out the defrosted portion or thin parts to prevent further cooking.

The following table provides a reference defrost time for various food:

FOOD	WEIGHT RANGE	DEFROST TIME
Meat	0.1~1.0 kg	1:30~26:00
Poultry	0.2~1.0 kg	2:30~22:00
Seafood	0.1~0.9 kg	1:30~14:00
Vegetable	0.1~0.5 kg	3:00~15:00
Bread	Per slice	0:10~0:15

CLEANING AND MAINTENANCE

The oven should be cleaned regularly and any food deposits removed.

Suggest you perform below steps after every time use.

Never use hard detergent, gasoline, abrasive powder or metal brush to clean any part of the appliance.

Clean the oven at regular intervals.

Disconnect the power supply cord before cleaning. And if possible leave the door open to inactive the microwave oven during cleaning.

Exterior:

The outside may be cleaned wipe with a soft and damp cloth. Avoid the use of harsh abrasive cleaners.

Door:

Wipe the door and window on sides, the door seals and adjacent parts frequently with a soft and damp cloth to remove any spills or spatters. Do not use abrasive cleaners.

Control panel:

Care should be taken in cleaning the control panel. Wipe the panel with a soft cloth dampened slightly. Do not scrub or use any sort of chemical cleaners.

Interior walls:

To clean the interior surfaces, wipe with a soft and damp cloth for hygienic reasons. After use wipe the waveguide cover in the microwave oven with a soft damp cloth to remove any food splashed. Buildup splashes

may overheat and begin to smoke or catch fire. Do not remove the waveguide cover. Do not use a commercial microwave oven cleaner, abrasive or harsh cleaners and scouring pads on any part of your microwave oven. Never spray microwave oven cleaners directly onto any part of your microwave oven.

Turntable /Rotating ring/Rotating axis:

After cooling down, Wash with mild soapy water and dry thoroughly.

Tip:

When the microwave oven has been used for a long time, there may be some strange odors exist in microwave oven, following 3 methods can get rid of them .1. Place several lemon slices in a cup, the heat with high power for 2-3 minutes. 2. Place a cup of red tea in the microwave oven, then heat with high power. 3. Put some orange peel into microwave oven, and then heat them with high power for 1 minute.

Servicing

Warning: it is hazardous for anyone, other than a qualified service technician, to carry out any service or repair operation which involves removal of any cover which gives protection against exposure to microwave energy.

Caution: MICROWAVE RADIATION

Warning:

Do not become exposed to radiation from the microwave generator or other parts conducting microwave energy. The high voltage capacitor remains charge after disconnection; short the negative terminal of H. V capacitor to the oven chassis (use a screwdriver) to discharge before touching.

During servicing below listed parts are liable to be removed and give access to potentials above 250V to earth.

- Magnetron
- High voltage transformer
- High voltage capacitor
- High voltage Diode
- High voltage fuse

Below listed condition may cause undue microwave exposure during servicing.

- Improper fitting of magnetron.
- Improper matching of Door interlock, Door hinge and Door.
- Improper fitting of switch support.
- Door, Door seal or enclosure has been damaged.

TECHNICAL DATA

Operating voltage: 230V ~ 50Hz

Input power (microwave): 1150W

Microwave output power: 700W

Microwave frequency: 2450 MHz



The crossed out wheeled bin symbol means that this product shall not be disposed of with normal household waste. Electronic and Electrical Equipment not included in the selective sorting process are potentially dangerous for the environment and human health due to the presence of hazardous substances. Please dispose of responsibly at an approved waste or recycling facility.

Bedienungsanleitung – German

WICHTIGE SICHERHEITSHINWEISE

SORGFÄLTIG LESEN UND FÜR DEN ZUKÜNFTIGEN GEBRAUCH AUFBEWAHREN.

Die folgenden grundsätzlichen Sicherheitshinweise für den Gebrauch von Elektrogeräten sollten stets beachtet werden:

1. Dieses Gerät kann von Kindern ab 8 Jahren und von Personen mit eingeschränkten physischen, sensorischen oder geistigen Fähigkeiten oder ohne Erfahrung und/oder Wissen benutzt werden, wenn diese durch eine für ihre Sicherheit zuständige Person beaufsichtigt werden oder von ihr Anweisungen erhielten, wie das Gerät sicher zu benutzen ist und sie auf die Risiken aufmerksam gemacht wurden.
2. Dieses Gerät ist kein Spielzeug.
3. Reinigungs- und Instandhaltungsmaßnahmen sollten nicht von Kindern unter 8 Jahren und nicht ohne Aufsicht durchgeführt werden.
4. Bewahren Sie das Gerät und sein Netzkabel außerhalb des Zugriffs von Kindern unter 8 Jahren auf.
5. Falls das Netzkabel des Geräts beschädigt wurde, muss es vom Händler ersetzt werden. Versuchen Sie nicht, das Netzkabel selbst zu ersetzen.
6. Dieses Gerät ist dafür vorgesehen, im Haushalt und in ähnlichen Einsatzbereichen benutzt zu werden, wie zum Beispiel: Mitarbeiter-Küchenbereiche in Geschäften, Büros und anderen Arbeitsumgebungen; Bauernhöfe; die Benutzung durch Gäste in Hotels, Motels und anderen Unterkunftsarten; Frühstückspensionen.
7. Das Gerät darf nicht mit einem Dampfreiniger gereinigt werden.
8. Metallbehälter für Lebensmittel und Getränke sind während des Garens mit der Mikrowelle nicht erlaubt.
9. Bevor Sie den Stecker mit der Netzsteckdose verbinden, prüfen Sie bitte, ob die Spannung und die Frequenz mit den Angaben auf dem Typenschild übereinstimmen.
10. **WARNUNG:** Wenn die Tür oder die Türdichtungen beschädigt sind, darf der Ofen erst wieder benutzt werden, nachdem er von einer fachkundigen Person repariert worden ist.
11. **WARNUNG:** Nur eine fachkundige Person kann Wartungsarbeiten oder Reparaturen durchführen, bei denen die Abdeckung entfernt werden muss, die vor der Mikrowellenenergie schützt. Für alle anderen Personen sind diese Arbeiten gefährlich.
12. **WARNUNG:** Flüssigkeiten und andere Lebensmittel dürfen nicht in verschlossenen Behältern erhitzt werden, da diese explodieren können.
13. Der Mikrowellenofen ist so konzipiert, dass er freistehend benutzt wird und soll nicht in einen Schrank gestellt werden.
14. **WARNUNG:** Wenn das Gerät im Kombinationsmodus benutzt wird, sollten Kinder aufgrund der erzeugten Temperaturen den Ofen nur unter Aufsicht eines Erwachsenen benutzen.
15. Es ist darauf zu achten, dass der Drehteller nicht verschoben wird, wenn Behälter aus dem Gerät genommen werden.
16. Der Mikrowellenofen dient zum Erhitzen von Lebensmitteln und Getränken. Das Trocknen von Lebensmitteln oder Kleidung und Erhitzen von Wärmekissen, Hausschuhen, Schwämmen, feuchter Kleidung und dergleichen kann Verletzungen, Entflammung oder Feuer verursachen.
17. Benutzen Sie nur Utensilien, die für den Gebrauch in Mikrowellenöfen geeignet sind.
18. Wenn Sie Lebensmittel in Plastik- oder Pappbehältern erhitzen, behalten Sie den Ofen im Auge, da Entzündungsgefahr besteht.
19. Falls Rauch aus dem Ofen entweicht, schalten Sie das Gerät aus oder ziehen Sie seinen Netzstecker und halten Sie die Tür geschlossen, um etwaige Flammen zu ersticken.

20. Das Erhitzen von Getränken in der Mikrowelle kann zu einem verzögerten, plötzlichen Aufkochen führen. Seien Sie daher vorsichtig, wenn Sie den Behälter anfassen.
21. Der Inhalt von Babyflaschen und Gläsern mit Babynahrung sollte umgerührt oder geschüttelt werden und die Temperatur vor dem Verzehr geprüft werden, um Verbrennungen zu vermeiden.
22. Eier in der Schale und ganze hartgekochte Eier sollten nicht in Mikrowellenöfen erhitzt werden, da sie explodieren können, selbst nachdem das Erhitzen in der Mikrowelle beendet ist.
23. Der Ofen sollte regelmäßig gereinigt und Speisereste entfernt werden.
24. Wenn der Ofen nicht sauber gehalten wird, könnte sich die Oberfläche vorzeitig abnutzen, was wiederum die Lebensdauer des Gerätes negativ beeinflussen und zu möglicherweise gefährlichen Situationen führen kann.
25. Zur Reduzierung der Brandgefahr im Innenraum:
 - Vermeiden Sie ein Überhitzen der Nahrungsmittel.
 - Wenn Sie in Papier- oder Plastikbeutel verpackte Nahrungsmittel verwenden, entfernen Sie die Verschlüsse, bevor Sie diese in den Mikrowelle legen.
 - Erhitzen Sie weder Öl noch Frittierfett, da ein kontrolliertes Erhitzen nicht möglich ist.
 - Wischen Sie nach Gebrauch die Wellenleiterabdeckung mit einem feuchten und dann mit einem trockenen Tuch ab, um Speisereste und Fettspritzer zu entfernen. Fettansammlungen können bei Überhitzung Rauch entwickeln oder Feuer fangen.
 - Falls in der Mikrowelle befindliche Materialien anfangen zu rauchen oder sich entzünden, lassen Sie die Tür geschlossen, schalten Sie die Mikrowelle ab und ziehen Sie den Netzstecker heraus.
 - Behalten Sie die Mikrowelle stets im Auge, wenn Sie Einwegbehälter aus Kunststoff, Papier oder sonstigem brennbaren Material verwenden.
26. Zur Reduzierung des Risikos einer Explosion oder von Überkochen:
 - Stellen Sie keine dichten Behälter in die Mikrowelle. Dies schließt Babyflaschen mit Schraubverschluss oder Sauger mit ein.
 - Verwenden Sie zum Erhitzen von Flüssigkeiten ein weithalsiges Gefäß und warten Sie nach dem Ende des Erhitzungsvorgangs noch weitere 20 Sekunden, da es nach dem Ende des Vorgangs noch kochen könnte.
 - Kartoffeln, Würste und Esskastanien müssen vor dem Kochen geschält oder eingestochen werden.
27. Nach dem Kochvorgang ist der Behälter sehr heiß. Benutzen Sie Handschuhe, wenn Sie die Speisen herausnehmen und vermeiden Sie Verbrennungen, indem Sie verhindern, dass der Dampf an Gesicht und Hände kommt.
28. Heben Sie die Abdeckungen von Speisen oder Mikrowellen-Kunststoffschüsseln vorsichtig am äußersten Ende an. Achten Sie darauf, Popcorn- und Kochbeutel so zu öffnen, dass sie vom Gesicht wegzeigen.
29. Zur Vermeidung von Beschädigungen des Drehtellers:
 - Lassen Sie den Drehteller abkühlen, bevor Sie ihn reinigen.
 - Legen Sie keine heißen Speisen oder Gegenstände auf den kalten Drehteller.
 - Legen Sie keine tiefgekühlten Speisen oder Gegenstände auf den heißen Drehteller.
30. Achten Sie darauf, dass in die Mikrowelle gestellte Speisen und Behälter während der Zubereitung nicht mit den Innenwänden in Berührung kommen.
31. Benutzen Sie die Mikrowelle nicht zur Aufbewahrung von Nahrungsmitteln oder anderen Dingen.
32. Betreiben Sie die Mikrowelle nicht ohne Flüssigkeiten oder Nahrungsmittel im Geraum. Dies würde zu Schäden am Gerät führen.
33. Vom Hersteller nicht empfohlene Zubehörteile können zu Verletzungen führen.
34. Verwenden Sie das Gerät nicht im Freien.

35. Das Gerät darf nicht mit Hilfe einer externen Zeitschaltuhr oder eines separaten Systems mit Fernbedienung eingeschaltet werden.



36. Vorsicht – heiße oberfläche.

WARNUNG! Bitte berühren Sie während des Gebrauchs nicht die Oberfläche. Die Temperatur der zugänglichen Oberflächen kann sehr hoch sein, wenn das Gerät in Betrieb ist.

37. Beachten Sie die Anweisungen zur Reinigung von Oberflächen, die mit Lebensmittel in Kontakt kommen in dem nachfolgenden Abschnitt „REINIGUNG UND PFLEGE“.
38. Das Gerät nicht in einen Schrank stellen. Befolgen Sie die Installationsanleitungen, wie man dieses Gerät installiert.
39. Dies ist ein Gerät der Gruppe 2 Klasse B.
Dieses Gerät wird als Gruppe 2 klassifiziert, da es bestimmungsgemäß Hochfrequenzenergie zum Erhitzen von Lebensmitteln oder anderen Materialien erzeugt.
Dieses Gerät wird als Klasse B klassifiziert, weil es für die Benutzung in Wohnumgebungen und Einrichtungen, die direkt an ein öffentliches Niederspannungsnetz zur Versorgung privater Haushalte angeschlossen sind, geeignet ist.

FUNKTIONSPRINZIP VON MIKROWELLENÖFEN

- Mikrowellen sind elektromagnetische Hochfrequenzwellen, die normalerweise auf natürlichem Wege erzeugt werden. Natürliche Mikrowellen unterliegen jedoch einer so starken Streuung, dass sie nicht zu Heizzwecken gebündelt werden können. Das Herzstück eines Mikrowellenofens ist daher die Magnetfeldröhre, die elektrische Energie in Mikrowellen umwandelt, so dass im geschlossenen Garraum ein äußerst kräftiges Mikrowellenfeld entsteht. Dieses versetzt die Nahrungsmittelmoleküle in starke Schwingungen und die entstehende Reibungshitze bewirkt ein schnelles Garen der Nahrungsmittel.
- Die drei Hauptmerkmale von Mikrowellen sind:
 - Absorbierbarkeit: Mikrowellen können die Schwingungen der Moleküle in verschiedenen Nahrungsmitteln verstärken, um so die gewünschte Wärmewirkung zu erzielen. Ihre Fähigkeit, auf den Stoff einzuwirken, hängt jedoch stark von Größe, Umfang und Eigenschaften des Nahrungsmittels ab.
 - Durchdringungsfähigkeit: Mikrowellen können Keramik, Glas und temperaturbeständige Kunststoffe durchdringen. Klargestellt wird: Um gute Erhitzungswerte zu erzielen, sollten Behälter mit guter Mikrowellendurchlässigkeit verwendet werden. Siehe auch nachstehende Eignungstabelle für Kochgeschirr.
 - Reflektionsgrad: Mikrowellen werden von den Metallwänden im Ofeninnenraum reflektiert, was die Bildung eines gleichmäßigen Magnetfeldes ermöglicht. Außerdem wird so die Überhitzung einzelner Bereiche vermieden.

AUFSTELLUNG EINES MIKROWELLENOFENS

- Um eine ausreichende Belüftung zu gewährleisten, sollten folgende Abstände eingehalten werden: zwischen Ofenrückseite und Wand mindestens 10 cm, zwischen den Ofenseiten und der Wand mindestens 5 cm, freier Abstand zur Ofenoberseite mindestens 20 cm; Der Abstand der Mikrowelle zum Boden sollte mindestens 85 cm betragen.
- Stellen Sie keine Gegenstände auf dem Mikrowellenofen ab.
- Der Ofen sollte in ausreichender Entfernung zu Fernseher, Radio oder Antennen aufgestellt werden, da es

sonst zu Bild- oder Tonstörungen kommen kann. Der Abstand sollte größer als 5 m sein.

- Das Gerät muss so aufgestellt werden, dass der Stecker gut zugänglich ist.
- Der Mikrowellenofen ist so konzipiert, dass er freistehend benutzt wird und soll nicht in einen Schrank gestellt werden.

Eignungstabelle für Kochgeschirr

Benutzen Sie nur Kochgeschirr, das für die Verwendung im Mikrowellenofen geeignet ist. Bitte beachten Sie die nachstehende Tabelle.

Material des Behälters	Mikrowelle	Anmerkungen
Wärmefeste Keramik	Ja	Auf keinen Fall Keramik mit Metalldekorrand oder Glasierdekor benutzen
Wärmefester Kunststoff	Ja	Nicht für längere Mikrowellenzubereitungen geeignet
Wärmefestes Glas	Ja	
Kunststoffolie	Nein	
Grillrost	Nein	
Metallbehälter	Nein	Sollte nicht in Mikrowellenöfen benutzt werden, da die Mikrowellen nicht durch Metall hindurchdringen können.
Lackiert	Nein	Mangelnde Wärmefestigkeit. Für das Zubereiten mit hohen Temperaturen nicht geeignet
Bambusholz und Papier	Nein	Mangelnde Wärmefestigkeit. Für das Zubereiten mit hohen Temperaturen nicht geeignet

OR DEM ERSTGEBRAUCH

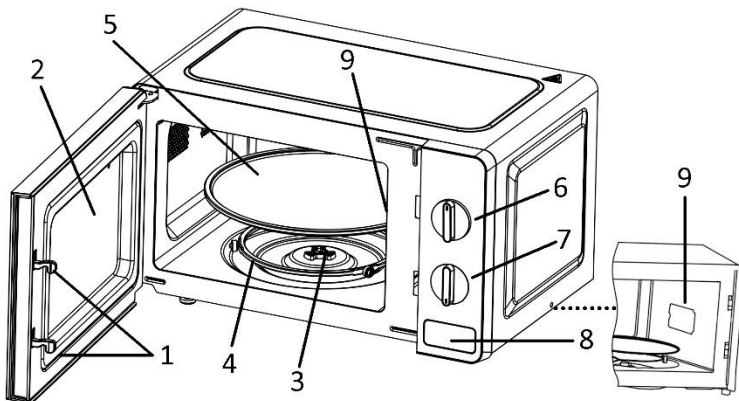
Da es möglich ist, dass sich noch Produktionsrückstände oder Öl im Innenraum oder am Heizelement befinden, kann Geruch entstehen.

Sogar leichter Rauch kann auftreten. Dies ist ein normaler Vorgang, der nach mehrmaliger Benutzung der Mikrowelle aufhört. Halten Sie die Tür oder ein Fenster geöffnet, um für eine ausreichende Belüftung zu sorgen.

Wir empfehlen dringend, folgendermaßen vorzugehen:

Stellen Sie bei dem Ofen ohne integrierte Grillfunktion eine Tasse Wasser auf das Drehteller, stellen Sie die Leistung hoch ein und schalten Sie ihn mehrere Male ein.

PRODUKTBESCHREIBUNG



1. **Türverriegelung** stellt sicher, dass der Mikrowellenofen nur eingeschaltet werden kann, wenn die Tür richtig geschlossen ist.

2. **Sichtfenster** der Kochvorgang kann durch das Metallgitter beobachtet werden.
 3. **Antriebswelle** Der Glasdrehteller ist mit der Welle oben verbunden. Der darunter befindliche Motor versetzt den Drehteller in Bewegung.
 4. **Drehring** trägt den Drehteller aus Glas.
 5. **Glasdrehteller** Durch die Drehung des Glasdrehtellers wird sichergestellt, dass die Speisen gleichmäßig erhitzt werden, seine Verwendung wird beim Kochen empfohlen.
 6. **Zeitschaltuhr**
Die maximal einstellbare Zeit beträgt 30 Minuten, wenn die Zeitschaltuhr auf Null zurückgeht, ertönt ein Signalton.
 7. **Funktionsknopf**
Kochen mit Mikrowelle (6 Leistungsstufen)
 - 700W (Schnellkochstufe)
 - 600W (Normale Zubereitung)
 - 460W (Langsamkochstufe)
 - 280W (Getränke oder Suppen)
 - Auftauen
 - 120 (Warmhalten)
 8. **Türentriegelungstaste**
Wenn Sie die Türentriegelungstaste drücken, können Sie die Tür öffnen, um Lebensmittel herauszunehmen oder hineinzulegen.
 9. **Wellenleiter Abdeckung (Nicht entfernen)** Schützt die Wellenleiter-Box gegen Spritzer von Lebensmitteln.
- Achtung:**
Zuerst den Zwischenring unterlegen. Den Glasdrehteller richtig auf die rotierenden Welle aufsetzen und darauf achten, dass sich die Verzahnung im Eingriff befindet.

BETRIEB

- Stecken Sie den Netzstecker des Mikrowellenofens in eine Steckdose. Vor dem Anschließen des Netzsteckers darauf achten, dass der Timer auf 0 gestellt ist.
 - Öffnen Sie die Tür, indem Sie die Entriegelungstaste der Tür drücken und legen Sie die Speise auf den Drehteller, dann schließen Sie die Tür.
 - Wählen Sie die Funktion aus.
 - Stellen Sie die Zeitschaltuhr ein. Falls die eingestellte Zeit weniger als 10 Minuten beträgt, drehen Sie die Zeitschaltuhr zunächst auf eine Position über 10 Minuten und anschließend zurück auf die gewünschte Zeit.
 - Dann startet der Ofen seinen Betrieb. Durch Öffnen der Tür kann der Betrieb jederzeit unterbrochen werden. Wird die Tür wieder geschlossen, wird der Betrieb fortgesetzt.
 - Nach Ablauf der Zeit ertönt ein Signalton. Damit ist der Ofen ausgeschaltet und die Lampe geht aus.
- Achtung:** Wenn Sie die Speisen vor Ablauf der Zeit herausnehmen, stellen Sie die Zeitschaltuhr unbedingt auf die Position „0“ zurück, um einen unbeabsichtigten Betrieb ohne Inhalt zu vermeiden.
- Hinweis:** Wir empfehlen das Tragen von Handschuhen, wenn Sie die gegarten Speisen aus dem Ofen herausnehmen. Achten Sie darauf, das Heizelement an der Oberseite des Garraums nicht zu berühren.

Hinweise zum Auftauen

- Das Auftauen von Tiefkühlkost ist einer der Vorteile des Mikrowellenofens. Es ist sicherer als ein Auftauen bei Raumtemperatur, da das Wachstum schädlicher Bakterien nicht gefördert wird.
- Stellen Sie den Funktionsschalter auf Auftauen.
 - Stellen Sie die Zeit je nach Menge der tiefgekühlten Speisen ein. Gewöhnlich dauert das Auftauen länger als das normale Zubereiten. Drehen Sie die Speisen mindestens

einmal um, um den Auftauzustand zu prüfen. Wenn Sie die aufgetauten Nahrungsmittel mit einem Messer schneiden können, kann der Auftauvorgang beendet werden.

Hinweis: Die Dicke der Speisen, die die Mikrowelle von einer Seite aus durchdringen kann, beträgt 4 cm. Wenn Sie dicke und massige Speisen auftauen, erhalten Sie das beste Ergebnis, wenn Sie sie öfter umdrehen. Nehmen Sie die aufgetauten Portionen oder dünne Teile heraus, um weiteres Kochen zu vermeiden.

Die folgende Tabelle ist eine Orientierungshilfe für die Auftauzeit von verschiedenen Lebensmitteln:

LEBENSMITTEL	GEWICHTSBEREICH	AUFTAUZEIT
Fleisch	0.1~1.0 kg	1:30~26:00
Geflügel	0.2~1.0 kg	2:30~22:00
Meeresfrüchte	0.1~0.9 kg	1:30~14:00
Gemüse	0.1~0.5 kg	3:00~15:00
Brot	pro scheibe	0:10~0:15

Reinigung und Wartung

Der Ofen sollte regelmäßig gereinigt und von Speiseresten befreit werden.

Es wird empfohlen, nach jeder Benutzung folgende Schritte durchzuführen. Benutzen Sie niemals scharfe Reinigungsmittel, Benzin, Scheuerpulver oder Metallbürsten zur Reinigung der Geräteteile.

Reinigen Sie den Ofen in regelmäßigen Abständen.

Ziehen Sie vor der Reinigung den Netzstecker. Lassen Sie außerdem möglichst während der Reinigung die Tür offen, um ein unbeabsichtigtes Einschalten zu verhindern.

Außenseite:

Die Außenseite kann mit einem weichen leicht angefeuchteten Tuch gereinigt werden. Vermeiden Sie raue Scheuermittel.

Tür:

Die Tür und die Seitenfenster, die Türdichtungen und die umliegenden Bereiche häufiger mit einem weichen und feuchten Tuch abwischen, um übergelaufene Zutaten oder Spritzer zu beseitigen. Verwenden Sie keine Scheuermittel.

Bedienfeld:

Lassen Sie bei der Reinigung des Bedienfeldes Vorsicht walten. Wischen Sie das Bedienfeld mit einem weichen, leicht angefeuchteten Tuch ab. Verwenden Sie keine scheuernden Utensilien oder ein chemisches Reinigungsmittel.

Innenwände:

Verwenden Sie für die Reinigung der Innenflächen aus hygienischen Gründen ein weiches, feuchtes Tuch.. Wischen Sie die Wellenleiterabdeckung des Ofens nach dem Gebrauch mit einem weichen, feuchten Tuch ab, um Essensspritzer zu entfernen. Angesammelte Speisereste können Rauch entwickeln oder Feuer fangen. Entfernen Sie nicht die Wellenleiterabdeckung. Verwenden Sie weder industrielle Ofenreiniger noch scheuernde oder raue Reiniger oder Topfreiniger (dies gilt für sämtliche Ofenteile). Sprühen Sie auf keinen Fall Ofenreiniger direkt auf irgendwelche Komponenten des Ofens.

Drehteller/Drehring/Drehachse:

Waschen Sie sie nach dem Abkühlen mit mildem Seifenwasser ab und wischen Sie sie gründlich trocken.

Tipp:

Wenn Sie die Mikrowelle längere Zeit benutzt haben, können unangenehme Gerüche im Ofen vorhanden sein, die Sie mit einer der drei folgenden Möglichkeiten beseitigen können: 1. Legen Sie mehrere Zitronenscheiben in eine Tasse und erhitzen Sie diese bei voller Leistung 2 bis 3 Minuten lang. 2. Stellen Sie eine Tasse mit Rooibos-Tee in den Ofen und erhitzen Sie sie bei voller Leistung. 3. Legen Sie etwas Orangenschale in den Ofen und erhitzen Sie sie bei voller Leistung 1 Minute lang.

Wartung

Warnung: Reparatur- oder Wartungsarbeiten, bei denen der Abbau von Abdeckungen, die Schutz vor der

Mikrowellenstrahlung bieten, erforderlich ist, dürfen nur von einem qualifiziertem Servicetechniker durchgeführt werden.

Vorsicht: MIKROWELLENSTRAHLUNG

Setzen Sie sich auf keinen Fall der Strahlung aus, die vom Mikrowellengenerator oder von anderen wellenführenden Teilen ausgeht.

Nach dem Trennen von der Steckdose bleibt der Hochvoltkondensator noch kurze Zeit aufgeladen. Vor dem Berühren deshalb den Minusanschluss des Hochvoltkondensators mit dem Ofengehäuse kurzschließen (Schraubendreher benutzen), um die Ladung abzuleiten.

An den nachstehend aufgeführten Teilen, die unter Umständen während Wartungs- und Reparaturarbeiten ausgebaut werden müssen, liegen Spannungen von über 250V gegen Erde an.

- Magnetfeldröhre;
- Hochspannungstransformator;
- Hochspannungskondensator;
- Hochspannungsdiode;
- Hochspannungssicherung.

Die nachstehend aufgeführten Zustände können während der Wartung bzw. Reparatur zu unzulässiger Bestrahlung durch Mikrowellen führen:

- Magnetfeldröhre nicht ordnungsgemäß eingesetzt.
- Türverriegelung, Türangel und Tür nicht ordnungsgemäß eingepasst.
- Schalterhalterung nicht ordnungsgemäß befestigt.
- Tür, Türdichtung oder Gehäuse beschädigt.

TECHNISCHE DATEN

Betriebsspannung: 230V ~ 50Hz

Eingangsleistung (Mikrowelle): 1150W

Mikrowellen-Ausgangsleistung: 700W

Frequenz der Mikrowelle: 2450 MHz



Das nebenstehende Symbol einer durchgestrichenen Mülltonne auf Rädern zeigt an, dass dieses Gerät der Richtlinie 2012/19/EU unterliegt. Diese Richtlinie besagt, dass Sie dieses Gerät am Ende seiner Nutzungszeit nicht mit dem normalen Haushaltsmüll entsorgen dürfen, sondern in speziell eingerichteten Sammelstellen, Wertstoffhöfen oder Entsorgungsbetrieben abgeben müssen. Diese Entsorgung ist für Sie kostenfrei. Schonen Sie die Umwelt und entsorgen Sie fachgerecht.

Beim Kauf eines Neugerätes haben Sie das Recht, das entsprechende Altgerät an Ihren Händler zurückzugeben. Händler von Elektro- und Elektronikgeräten mit einer Verkaufsfläche von mindestens 400 qm sowie Lebensmittelhändler mit einer Verkaufsfläche von mindestens 800 qm, die regelmäßig Elektro- und Elektronikgeräte verkaufen, sind außerdem verpflichtet, Altgeräte unentgeltlich zurückzunehmen, auch ohne dass ein Neugerät gekauft wird, wenn die Altgeräte in keiner Abmessung größer sind als 25 cm. Der Händler bietet Ihnen Rücknahmemöglichkeiten direkt in den Filialen und Märkten an. Informieren Sie sich auch bei Ihrem Händler über die Rücknahmemöglichkeiten vor Ort.

Sofern Ihr Altgerät personenbezogene Daten enthält, sind Sie selbst für deren Löschung verantwortlich, bevor Sie es zurückgeben. Sofern dies ohne Zerstörung des Altgerätes möglich ist, entnehmen Sie die alten Batterien oder Akkus sowie Lampen bevor Sie das Altgerät zur Entsorgung zurückgeben und führen Sie sie einer separaten Sammlung zu. Bei fest eingebauten Akkus ist bei der Entsorgung darauf hinzuweisen, dass das Gerät einen Akku enthält. Weitere Möglichkeiten zur Entsorgung des ausgedienten Produkts erfahren Sie bei Ihrer Gemeinde- oder Stadtverwaltung.