

emerio®

PAC-127277



Portable air conditioner (EN)

Mobiles Klimagerät (DE)

Portabel luftkonditionering (SE)

Mobiele airconditioner (NL)

Siirrettävä ilmastointilaite (FI)

Bærbart klimaanlegg (NOR)

Bærbart klimaanlæg (DK)



Content – Inhalt – Innehåll – Inhoud – Pitoisuus – Innhold – Indhold

Instruction manual – English	- 2 -
Bedienungsanleitung – German	- 20 -
Bruksanvisning – Swedish	- 38 -
Gebruiksaanwijzing – Dutch	- 55 -
Käyttöopas – Finnish	- 73 -
Brukermanual – Norwegian	- 90 -
Brugsanvisning – Danish.....	- 107 -

Thank you very much for purchasing our products. In order to ensure correct operation, please read this manual and instruction carefully before use.

IMPORTANT INSTRUCTIONS

When using electrical appliances, basic precautions should always be followed to reduce the risk of fire, electric shock, burns and other injuries.

1. Read and save these instructions. Attention: pictures in the IM are for reference only.
2. This appliance can be used by children aged from 8 years and above and persons with reduced physical, sensory or mental capabilities or lack of experience and knowledge if they have been given supervision or instruction concerning use of the appliance in a safe way and understand the hazards involved.
3. Children shall not play with the appliance.
4. Cleaning and user maintenance shall not be made by children without supervision.
5. If the supply cord is damaged, it must be replaced by the manufacturer, its service agent or similarly qualified persons in order to avoid a hazard.
6. Indoor use only.
7. Do not use the unit in an area: near to source of fire; where oil is likely to splash; exposed to direct sunlight; where water is likely to splash; near a bath, a laundry, a shower or a swimming pool.
8. Never insert your fingers, rods into the air outlet. Take special care to warn children of these dangers.
9. Keep the unit upward while transport and storage, for the compressor locates properly.
10. Before cleaning or moving the appliance, always turn off and disconnect the power supply.
11. To avoid the possibility of fire disaster, the appliance shall not be covered.

12. All the air-conditioner sockets must comply with the local electric safety requirements. If necessary, please check it for the requirements.
13. The appliance shall be installed in accordance with national wiring regulations.
14. Details of type and rating of fuses: T, 250V AC, 3.15A.
15. Contact authorized service technician for repair or maintenance of this unit.
16. Do not pull, deform or modify the power supply cord, or immerse it in water. Pulling or misuse of the power supply cord can result in damage to the unit and cause electrical shock.
17. Compliance with national gas regulations shall be observed.
18. Servicing shall only be performed as recommended by the equipment manufacturer. Maintenance and repair requiring the assistance of other skilled personnel shall be carried out under the supervision of the person competent in the use of flammable refrigerants.
19. Do not operate or stop the unit by inserting or pulling out power plug, it may cause electric shock or fire due to heat generation.
20. Unplug the unit if strange sounds, smell, or smoke comes from it.
21. Always plug the appliance into an earthed plug socket.
22. In case of any damage, please turn off the switch, disconnect the power supply, and contact an authorized service center for repair.
23. Do not use means to accelerate the defrosting process or to clean, other than those recommended by the manufacturer.
24. The appliance shall be stored in a room without continuously operating ignition sources (for example: open flames, an operating gas appliance or an operating electric heater.)
25. Do not pierce or burn.

26. Be aware that refrigerants may not contain an odour.
27. This appliance contains R290 refrigerant gas. R290 is a refrigerant gas that complies with the European directives on the environment. Do not puncture any part of the refrigerant circuit.
28. If the appliance is installed, operated or stored in an unventilated area, the room must be designed to prevent to the accumulation of refrigerant leaks resulting in a risk of fire or explosion due to ignition of the refrigerant caused by electric heaters, stoves, or other sources of ignition.
29. The appliance must be stored in such a way as to prevent mechanical failure.
30. Individuals who operate or work on the refrigerant circuit must have the appropriate certification issued by an accredited organization that ensures competence in handling refrigerants according to a specific evaluation recognized by associations in the industry.
31. Repairs must be performed based on the recommendation from the manufacturing company. Maintenance and repairs that require the assistance of other qualified personnel must be performed under the supervision of an individual specified in the use of flammable refrigerants.
32. Regarding the instructions for repairing appliances containing R290, please kindly refer to below paragraphs.
33. Always let the appliance rest for at least 2 hours after moving it from one location to another.



Warning: Risk of fire / Flammable materials.



Read instruction manuals.



Operator's manual; operating instructions.



Service indicator; read technical manual.

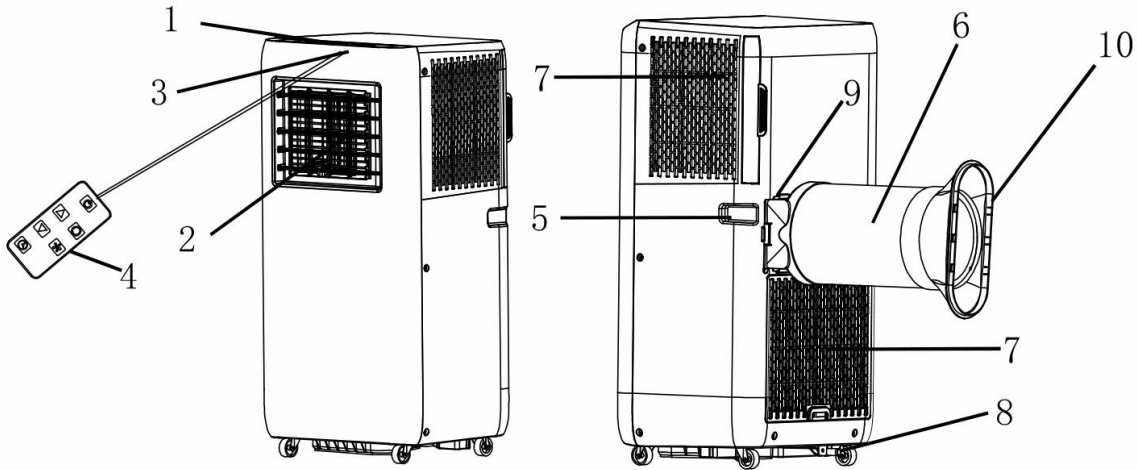
Warning: Keep ventilation openings clear of obstruction.

Warning: The appliance shall be stored in a well-ventilated area where the room size corresponds to the room area as specified for operation.

The required distance around the unit should be at least 30cm.

Appliance shall be installed, operated and stored in a room with a floor area larger than 4 m².

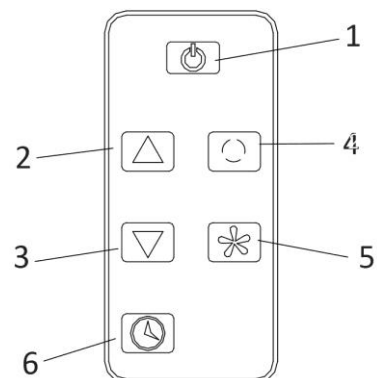
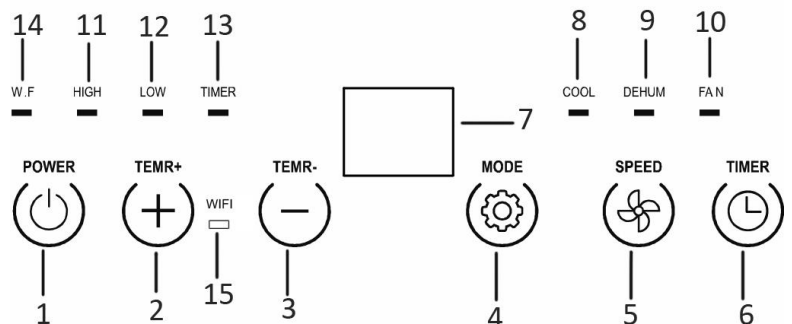
PARTS DESCRIPTION



1. Control panel
2. Air outlet & louvers
3. Signal receptor
4. Remote control
5. Handle
6. Air exhaust hose
7. Air inlet and air filter
8. Drain port (inserted by a stopper)
9. Hose connector
10. Window adaptor

Control panel & remote control

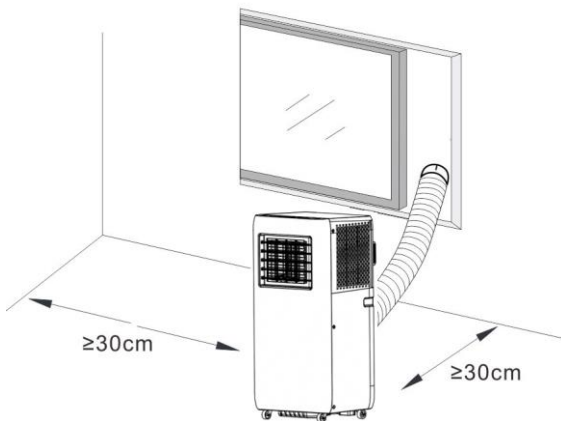
1. Power button
2. Temperature/timer increasing button
3. Temperature/timer decreasing button
4. Mode button
5. Fan speed button
6. Timer button
7. Digital display
8. Cool mode indicator light
9. Dehumidifying mode indicator light
10. Fan mode indicator light
11. High speed indicator light
12. Low speed indicator light
13. Timer indicator light
14. Water tank full indicator light
15. WIFI indicator light



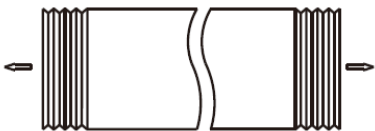
This unit has a remote control. One piece of CR2025 battery will be provided with the remote control. Before starting to use the remote control, remove the plastic protection from the battery. If you want to change the battery, please refer to the instruction behind the remote control. If it is not in use for a long time, please take the battery out of the remote control. Keep button cell batteries out of reach of small children.

INSTALLATION

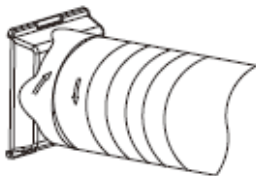
- The unit shall be installed on a flat surface where the air outlet would not be blocked. The required distance around the unit should be at least 30cm.



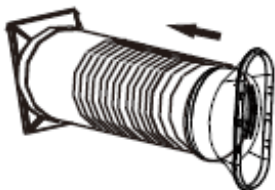
- The unit shall not be installed in a laundry room.
- Extend the air exhaust hose by drawing out the two ends of the hose.



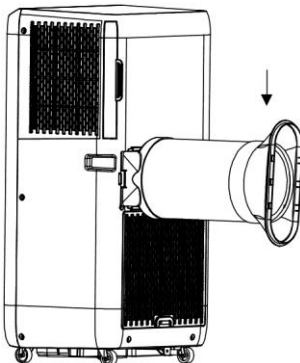
- Screw the air exhaust hose into the hose connector.



- Screw the other end of air exhaust hose into the window adaptor.



- Insert the hose connector into the bracket on the back of the unit.



OPERATION

*Always let the appliance rest for at least 2 hours after moving it from one location to another. Before use, check up whether the exhaust hose has been mounted properly. Plug in the appliance. The louvers can be manually adjusted.

1. Power button

Press the power button to turn on the appliance. The appliance will start to work.

Press the button again, the appliance will be turned off.

2. Temperature/timer increasing button & temperature/timer decreasing button

Press the button “+”/ “-” on the control panel or “▲”/“▼” on the remote control to set your desired room temperature from 15°C to 31°C. The buttons can also be used for timer adjustment during timer setting. The value will be increased/decreased by 1 (°C/hour) for each press.

3. Fan speed button

Press the fan speed button to switch the fan speed between low and high. The corresponding indicator light “LOW”/ “HIGH” will illuminate.

4. Mode button

Press the mode button to choose your desired working mode among COOL, DEHUM, and FAN. The corresponding indicator light will turn on when the specific mode is selected.

- Cooling mode

When the room temperature is higher than the set temperature, the compressor starts to run.

When the room temperature is lower than the set temperature, the compressor stops and the fan operates at the original set speed.

Note: When the compressor is working, the unit will vibrate slightly. This is normal and harmless.

- Dehumidifying mode

On dehumidifying mode, the fan runs at a low speed. The fan speed and temperature cannot be adjusted.

The compressor will stop after 8 minutes of running and then run again after 6 minutes; it will repeat in this way.

- Fan mode

When the fan runs at the set speed, the compressor does not run.

The adjustment of temperature in Fan mode is not effective.

5. Timer button

Auto-ON setting

- When the appliance is OFF, press the timer button, the timer indicator light will flash.
- Press the timer increasing or decreasing button to select a desired auto-ON time from 1 to 24 hours. The timer indicator light will flash for several seconds, then illuminate still; The digital display will be off. The timer setting is confirmed.
- You can choose the fan speed or mode at the same time.
- The appliance will automatically turn on once the select time passed.

Auto-OFF setting

- When the appliance is ON, press the timer button, the timer indicator light will flash.
- Press the timer increasing or decreasing button to select a desired auto-OFF time from 1 to 24 hours. The timer indicator light will flash for several seconds, then illuminate still. The timer setting is confirmed.
- The appliance will automatically turn off once the select time has passed.

To cancel the timer, press the timer button, when the timer indicator light flashes press the timer button again. The timer indicator light will then be off.

NOTE:

- The protective device may trip and stop the appliance in the conditions listed below.

Cooling	Room temperature is over 43°C.
	Room temperature is below 15°C.

Dehumidifying Room temperature is below 15°C.

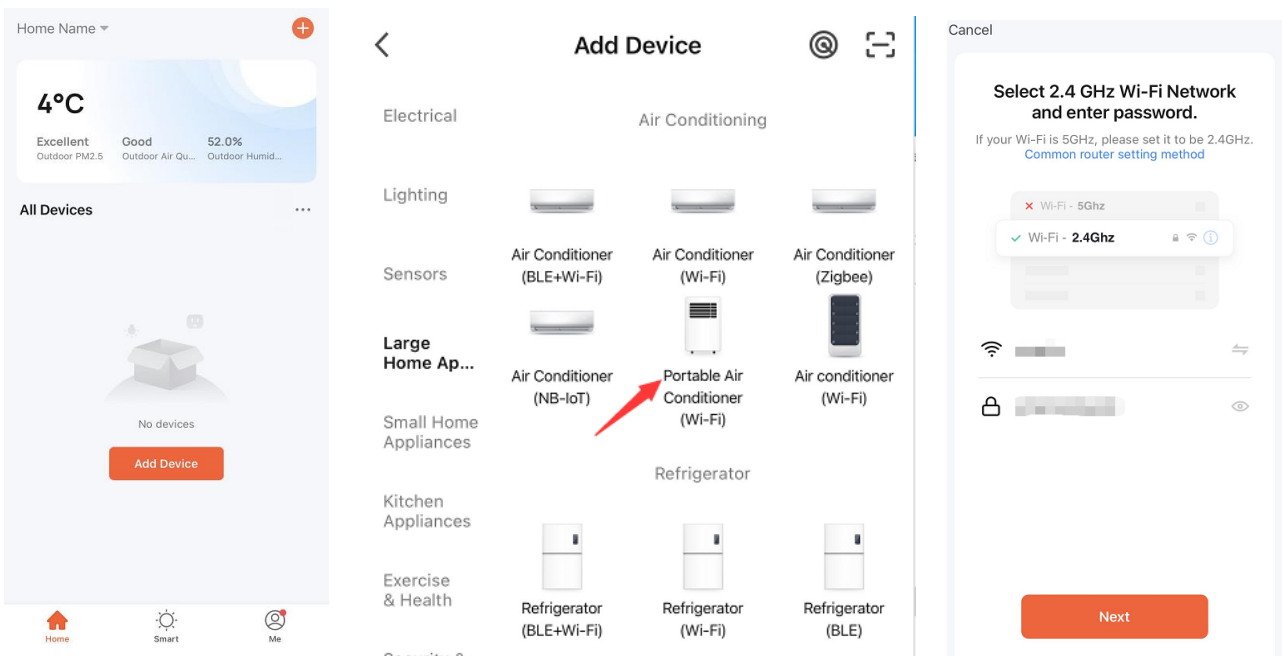
- If the appliance runs in cooling or dehumidifying mode with door or window opened for a long time when relative humidity is above 80%, dew may drip down from the air outlet.

Drain water

- 1) Special reminder: There is condensing water recycling hidden in this appliance. The condensing water is partly kept recycling between the condenser and the water tray. When the water level rises to the upper level, the water-full code “E4” will be shown on the digital display to remind of draining water.
- 2) Please cut off the power supply, move the appliance to a suitable place, pull out the stopper in the drain port to drain the water completely. If conditions permitted, you can also connect the drain hose to the drain port for the water draining.
- 3) After the draining, insert back the stopper to the drain port, otherwise the appliance may leak and make your room wet.

Wi-Fi connection guide (The guide for the APP may not be updated regularly due to software version upgrade or other reasons. This instruction is used as a guide only.):

1. Search “Tuya Smart” in App Store (for iOS) or Google play (for Android), download the application “Tuya Smart” to your phone. Sign up or log in to your account on Tuya.
2. Make sure your appliance is in standby. Long press the mode button until a beep sound is heard. The WIFI indicator light will rapidly blinking.
3. Press the “+” at right top or button “Add Device” on the home page of Tuya to add your appliance.
4. Find the category of “Portable Air Conditioner”. Press its icon and you will get the prompt that asks you to use the 2.4GHz Wi-Fi network. Note that the 5 GHz Wi-Fi is not supported by this application.
5. Enter your Wi-Fi password and connect to the Wi-Fi. Confirm the WIFI indicator light rapidly blink, press “Next”, the application will scan and add the appliance.



6. When the appliance is added successfully, the WIFI indicator light will illuminate still.
7. Now, You can use the APP to operate the appliance.

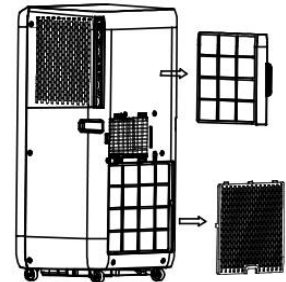
Note:

- Press the mode button in APP, you will have “Cool, Dry and Fan”. Dry mode is the same as dehumidifying mode.
- Touch the temperature display to toggle Fahrenheit and Celsius.

- When the network environment for the appliance has been changed, it requires to be reconfigured.
- You can switch on/off the WIFI function by long pressing the mode button on the control panel when the appliance is in standby. When the WIFI indicator light rapidly blinks, the appliance is waiting to be paired. When the WIFI indicator light illuminates still, the Wi-Fi has been connected. When the WIFI indicator light goes out, the WIFI has been shut off.

CLEANING AND MAINTENANCE

- Before cleaning, be sure to disconnect the appliance from any electric supply outlet.
- Do not use gasoline or other chemicals to clean the appliance.
- Do not wash the appliance directly.
- If the appliance is damaged, please contact the dealer or repair shop.



Air Filter

If the air filters become clogged with dust/dirt, they should be cleaned once every two weeks.

- Pull out the air filters by the pull tab.
- Clean the air filters with neutral detergent in lukewarm water (< 40°C) and dry it up in the shade.
- Reinstall the air filter.

Clean the Surface

First clean the surface with a neutral detergent and wet cloth, and then wipe it with a dry cloth.

TROUBLESHOOTING

The following cases may not always be a malfunction, please check suggestions below before asking for service.

Trouble	Analysis
Does not run	<ul style="list-style-type: none"> • If the protector trip or fuse is blown. • Please wait for 3 minutes and start again, protector device may be preventing unit from working. • If batteries in the remote controller are exhausted. • If the plug is not properly plugged in.
Runs for a short while only	<ul style="list-style-type: none"> • If the set temperature is close to room temperature, you can lower the set temperature. • Air outlet is blocked by obstacle. Take the obstacle away.
Water leak during moving	<ul style="list-style-type: none"> • Drain the condensate before moving. • To avoid water leakage, please locate the unit on flat ground.
Does not run and water full indicator "E4"	<ul style="list-style-type: none"> • Pull out the rubber plug to drain water. • If it is often in this state, please contact qualified service technical.
Appliance automatically stops	<ul style="list-style-type: none"> • Timing shut down • Set temperature reached

TECHNICAL DATA

Below data for your operating reference

Model	PAC-127277
Rated voltage	220-240V
Rated frequency	50Hz
Rated input	750W
Rated current	3.4A
Cooling capacity	7000BTU
Moisture removal (L/H)	0.8

Air flow	270m ³ /h
Max. transmitting power	17.5dBm
Frequency range	2412-2472MHz

We, Emerio, declare under our sole responsibility that the product: PAC-127277 is in conformity with the essential requirements and other relevant requirements of the RED Directive (2014/53/EU)

The complete CE declaration is available at the following address: www.emerio.eu

ERP INFORMATION

	Value
Trademark	Emerio
Model identification	PAC-127277
Sound power (cooling)	64dB(A)
Name of refrigerant	R290
Rated power input for cooling (kW)	0.755
Rated energy efficiency ratio	2.7
GWP (kgCO ₂ eq)	3
Energy efficiency class	A
Energy consumption for double ducts appliances (kWh/h)	-
Energy consumption for single duct appliances (kWh/h)	0.755
Power consumption in thermostat-off mode (W)	-
Power consumption in stand-by mode (W)	0.85
Cooling capacity	7000BTU
<p>Refrigerant leakage contributes to climate change. Refrigerant with lower global warming potential (GWP) would contribute less to global warming than a refrigerant with higher GWP, if leaked to the atmosphere. This appliance contains a refrigerant fluid with a GWP equal to 3. This means that if 1 kg of this refrigerant fluid would be leaked to the atmosphere, the impact on global warming would be 3 times higher than 1 kg of CO₂, over a period of 100 years. Never try to interfere with the refrigerant circuit yourself or disassemble the product yourself and always ask a professional.</p> <p>#Energy consumption 0.755 kWh for model PAC-127277 in 60 minutes of use under standard test conditions. The actual energy consumption depends on how the device is used and where it is located.</p> <p>For any additional information, please contact: Emerio International AB Smedjegatan 6 131 54 Nacka Sweden</p>	

GUARANTEE AND CUSTOMER SERVICE

Before delivery our devices are subjected to rigorous quality control. If, despite all care, damage has occurred during production or transportation, please return the device to your dealer. In addition to statutory legal rights, the purchaser has an option to claim under the terms of the following guarantee:

For the purchased device we provide 2 years guarantee, commencing from the day of sale. If you have a defective product, you can directly go back to the point of purchase.

Defects which arise due to improper handling of the device and malfunctions due to interventions and repairs by third parties or the fitting of non-original parts are not covered by this guarantee. Always keep your receipt, without the receipt you can't claim any form of warranty. Damage caused by not following the instruction manual, will lead to a void of warranty, if this results in consequential damages then we will not be liable. Neither can we hold responsible for material damage or personal injury caused by improper use if the instruction manual is not properly executed. Damage to accessories does not mean free replacement of the whole appliance. In such case please contact our service department. Broken glass or breakage of plastic parts

is always subject to a charge. Defects to consumables or parts subjected to wearing, as well as cleaning, maintenance or the replacement of said parts are not covered by the warranty and are to be paid.

ENVIRONMENT FRIENDLY DISPOSAL



Recycling – European Directive 2012/19/EU

This marking indicates that this product should not be disposed with other household wastes. To prevent possible harm to the environment or human health from uncontrolled waste disposal, recycle it responsibly to promote the sustainable reuse of material resources. To return your used



device, please use the return and collection systems or contact the retailer where the product was purchased. They can take this product for environmental safe recycling.



BATTERY MUST BE RECYCLED OR DISPOSED OF PROPERLY. DO NOT OPEN. DO NOT DISPOSE OR IN FIRE OR SHORT CIRCUIT.

INSTRUCTIONS FOR REPAIRING APPLIANCES CONTAINING R290

1. Servicing

1) Checks to the area

Prior to beginning work on systems containing flammable refrigerants, safety checks are necessary to ensure that the risk of ignition is minimised. For repair to the refrigerating system, the following precautions shall be complied with prior to conducting work on the system.

2) Work procedure

Work shall be undertaken under a controlled procedure so as to minimise the risk of a flammable gas or vapour being present while the work is being performed.

3) General work area

All maintenance staff and others working in the local area shall be instructed on the nature of work being carried out. Work in confined spaces shall be avoided. The area around the workspace shall be sectioned off. Ensure that the conditions within the area have been made safe by control of flammable material.

4) Checking for presence of refrigerant

The area shall be checked with an appropriate refrigerant detector prior to and during work, to ensure the technician is aware of potentially flammable atmospheres. Ensure that the leak detection equipment being used is suitable for use with flammable refrigerants, i.e. non-sparking, adequately sealed or intrinsically safe.

5) Presence of fire extinguisher

If any hot work is to be conducted on the refrigeration equipment or any associated parts, appropriate fire extinguishing equipment shall be available to hand. Have a dry powder or CO₂ fire extinguisher adjacent to the charging area.

6) No ignition sources

No person carrying out work in relation to a refrigeration system which involves exposing any pipe work that contains or has contained flammable refrigerant shall use any sources of ignition in such a manner that it may lead to the risk of fire or explosion. All possible ignition sources, including cigarette smoking, should be kept sufficiently far away from the site of installation, repairing, removing and disposal, during which flammable refrigerant can possibly be released to the surrounding space. Prior to work taking place, the area around the equipment is to be surveyed to make sure that there are no flammable hazards or ignition risks. "No Smoking" signs shall be displayed.

7) Ventilated area

Ensure that the area is in the open or that it is adequately ventilated before breaking into the system or conducting any hot work. A degree of ventilation shall continue during the period that the work is carried out. The ventilation should safely disperse any released refrigerant and preferably expel it externally into the atmosphere.

8) Checks to the refrigeration equipment

Where electrical components are being changed, they shall be fit for the purpose and to the correct specification. At all times the manufacturer's maintenance and service guidelines shall be followed. If in doubt consult the manufacturer's technical department for assistance.

The following checks shall be applied to installations using flammable refrigerants:

- The charge size is in accordance with the room size within which the refrigerant containing parts are installed;
- The ventilation machinery and outlets are operating adequately and are not obstructed;
- If an indirect refrigerating circuit is being used, the secondary circuit shall be checked for the presence of refrigerant;
- Marking to the equipment continues to be visible and legible. Markings and signs that are illegible shall be corrected;

– Refrigeration pipe or components are installed in a position where they are unlikely to be exposed to any substance which may corrode refrigerant containing components, unless the components are constructed of materials which are inherently resistant to being corroded or are suitably protected against being so corroded.

9) Checks to electrical devices

Repair and maintenance to electrical components shall include initial safety checks and component inspection procedures. If a fault exists that could compromise safety, then no electrical supply shall be connected to the circuit until it is satisfactorily dealt with. If the fault cannot be corrected immediately but it is necessary to continue operation, an adequate temporary solution shall be used. This shall be reported to the owner of the equipment so all parties are advised. Initial safety checks shall include:

- That capacitors are discharged: this shall be done in a safe manner to avoid possibility of sparking;
- That there no live electrical components and wiring are exposed while charging, recovering or purging the system;
- That there is continuity of earth bonding.

2. Repairs to sealed components

1) During repairs to sealed components, all electrical supplies shall be disconnected from the equipment being worked upon prior to any removal of sealed covers, etc. If it is absolutely necessary to have an electrical supply to equipment during servicing, then a permanently operating form of leak detection shall be located at the most critical point to warn of a potentially hazardous situation.

2) Particular attention shall be paid to the following to ensure that by working on electrical components, the casing is not altered in such a way that the level of protection is affected. This shall include damage to cables, excessive number of connections, terminals not made to original specification, damage to seals, incorrect fitting of glands, etc.

Ensure that apparatus is mounted securely. Ensure that seals or sealing materials have not degraded such that they no longer serve the purpose of preventing the ingress of flammable atmospheres. Replacement parts shall be in accordance with the manufacturer's specifications.

NOTE: The use of silicon sealant may inhibit the effectiveness of some types of leak detection equipment. Intrinsically safe components do not have to be isolated prior to working on them.

3. Repair to intrinsically safe components

Do not apply any permanent inductive or capacitance loads to the circuit without ensuring that this will not exceed the permissible voltage and current permitted for the equipment in use. Intrinsically safe components are the only types that can be worked on while live in the presence of a flammable atmosphere. The test apparatus shall be at the correct rating. Replace components only with parts specified by the manufacturer. Other parts may result in the ignition of refrigerant in the atmosphere from a leak.

4. Cabling

Check that cabling will not be subject to wear, corrosion, excessive pressure, vibration, sharp edges or any other adverse environmental effects. The check shall also take into account the effects of aging or continual vibration from sources such as compressors or fans.

5. Detection of flammable refrigerants

Under no circumstances shall potential sources of ignition be used in the searching for or detection of refrigerant leaks. A halide torch (or any other detector using a naked flame) shall not be used.

6. Leak detection methods

The following leak detection methods are deemed acceptable for systems containing flammable refrigerants.

Electronic leak detectors shall be used to detect flammable refrigerants, but the sensitivity may not be adequate, or may need re-calibration. (Detection equipment shall be calibrated in a refrigerant-free area.) Ensure that the detector is not a potential source of ignition and is suitable for the refrigerant used. Leak detection equipment shall be set at a percentage of the LFL of the refrigerant and shall be calibrated to the refrigerant employed and the appropriate percentage of gas (25 % maximum) is confirmed. Leak detection fluids are suitable for use with most refrigerants but the use of detergents containing chlorine shall be avoided as the chlorine may react with the refrigerant and corrode the copper pipe-work. If a leak is suspected, all naked flames shall be removed/ extinguished. If a leakage of refrigerant is found which requires brazing, all of the refrigerant shall be recovered from the system, or isolated (by means of shut off valves) in a part of the system remote from the leak. Oxygen free nitrogen (OFN) shall then be purged through the system both before and during the brazing process.

7. Removal and evacuation

When breaking into the refrigerant circuit to make repairs – or for any other purpose – conventional procedures shall be used. However, it is important that best practice is followed since flammability is a consideration. The following procedure shall be adhered to:

- Remove refrigerant;
- Purge the circuit with inert gas;
- Evacuate;
- Purge again with inert gas;
- Open the circuit by cutting or brazing.

The refrigerant charge shall be recovered into the correct recovery cylinders. The system shall be “flushed” with OFN to render the unit safe. This process may need to be repeated several times. Compressed air or oxygen shall not be used for this task. Flushing shall be achieved by breaking the vacuum in the system with OFN and continuing to fill until the working pressure is achieved, then venting to atmosphere, and finally pulling down to a vacuum. This process shall be repeated until no refrigerant is within the system. When the final OFN charge is used, the system shall be vented down to atmospheric pressure to enable work to take place. This operation is absolutely vital if brazing operations on the pipe-work are to take place. Ensure that the outlet for the vacuum pump is not close to any ignition sources and there is ventilation available.

8. Charging procedures

In addition to conventional charging procedures, the following requirements shall be followed.

- Ensure that contamination of different refrigerants does not occur when using charging equipment. Hoses or lines shall be as short as possible to minimise the amount of refrigerant contained in them.
- Cylinders shall be kept upright.
- Ensure that the refrigeration system is earthed prior to charging the system with refrigerant.
- Label the system when charging is complete (if not already).
- Extreme care shall be taken not to overfill the refrigeration system.

Prior to recharging the system it shall be pressure tested with OFN. The system shall be leak tested on completion of charging but prior to commissioning. A follow up leak test shall be carried out prior to leaving the site.

9. Decommissioning

Before carrying out this procedure, it is essential that the technician is completely familiar with the equipment and all its detail. It is recommended good practice that all refrigerants are recovered safely. Prior to the task being carried out, an oil and refrigerant sample shall be taken in case analysis is required prior to re-use of reclaimed refrigerant. It is essential that electrical power is available before the task is commenced.

- a) Become familiar with the equipment and its operation.

- b) Isolate system electrically.
- c) Before attempting the procedure ensure that:
 - Mechanical handling equipment is available, if required for handling refrigerant cylinders;
 - All personal protective equipment is available and being used correctly;
 - The recovery process is supervised at all times by a competent person;
 - Recovery equipment and cylinders conform to the appropriate standards.
- d) Pump down refrigerant system, if possible.
- e) If a vacuum is not possible, make a manifold so that refrigerant can be removed from various parts of the system.
- f) Make sure that cylinder is situated on the scales before recovery takes place.
- g) Start the recovery machine and operate in accordance with manufacturer's instructions.
- h) Do not overfill cylinders. (No more than 80 % volume liquid charge).
- i) Do not exceed the maximum working pressure of the cylinder, even temporarily.
- j) When the cylinders have been filled correctly and the process completed, make sure that the cylinders and the equipment are removed from site promptly and all isolation valves on the equipment are closed off.
- k) Recovered refrigerant shall not be charged into another refrigeration system unless it has been cleaned and checked.

10. Labelling

Equipment shall be labelled stating that it has been de-commissioned and emptied of refrigerant. The label shall be dated and signed. Ensure that there are labels on the equipment stating the equipment contains flammable refrigerant.

11. Recovery

When removing refrigerant from a system, either for servicing or decommissioning, it is recommended good practice that all refrigerants are removed safely. When transferring refrigerant into cylinders, ensure that only appropriate refrigerant recovery cylinders are employed. Ensure that the correct number of cylinders for holding the total system charge is available. All cylinders to be used are designated for the recovered refrigerant and labelled for that refrigerant (i.e. special cylinders for the recovery of refrigerant). Cylinders shall be complete with pressure relief valve and associated shut-off valves in good working order. Empty recovery cylinders are evacuated and, if possible, cooled before recovery occurs. The recovery equipment shall be in good working order with a set of instructions concerning the equipment that is at hand and shall be suitable for the recovery of flammable refrigerants. In addition, a set of calibrated weighing scales shall be available and in good working order. Hoses shall be complete with leak-free disconnect couplings and in good condition. Before using the recovery machine, check that it is in satisfactory working order, has been properly maintained and that any associated electrical components are sealed to prevent ignition in the event of a refrigerant release. Consult manufacturer if in doubt. The recovered refrigerant shall be returned to the refrigerant supplier in the correct recovery cylinder, and the relevant Waste Transfer Note arranged. Do not mix refrigerants in recovery units and especially not in cylinders. If compressors or compressor oils are to be removed, ensure that they have been evacuated to an acceptable level to make certain that flammable refrigerant does not remain within the lubricant. The evacuation process shall be carried out prior to returning the compressor to the suppliers. Only electric heating to the compressor body shall be employed to accelerate this process. When oil is drained from a system, it shall be carried out safely.

Competence of service personnel

General

Special training additional to usual refrigerating equipment repair procedures is required when equipment with flammable refrigerants is affected.

In many countries, this training is carried out by national training organisations that are accredited to teach the relevant national competency standards that may be set in legislation.

The achieved competence should be documented by a certificate.

Training

The training should include the substance of the following:

Information about the explosion potential of flammable refrigerants to show that flammables may be dangerous when handled without care.

Information about potential ignition sources, especially those that are not obvious, such as lighters, light switches, vacuum cleaners, electric heaters.

Information about the different safety concepts:

Unventilated – Safety of the appliance does not depend on ventilation of the housing. Switching off the appliance or opening of the housing has no significant effect on the safety. Nevertheless, it is possible that leaking refrigerant may accumulate inside the enclosure and flammable atmosphere will be released when the enclosure is opened.

Ventilated enclosure – Safety of the appliance depends on ventilation of the housing. Switching off the appliance or opening of the enclosure has a significant effect on the safety. Care should be taken to ensure a sufficient ventilation before.

Ventilated room – Safety of the appliance depends on the ventilation of the room. Switching off the appliance or opening of the housing has no significant effect on the safety. The ventilation of the room shall not be switched off during repair procedures.

Information about the concept of sealed components and sealed enclosures according to IEC 60079-15:2010.

Information about the correct working procedures:

a) Commissioning

- Ensure that the floor area is sufficient for the refrigerant charge or that the ventilation hose is assembled in a correct manner.
- Connect the pipes and carry out a leak test before charging with refrigerant.
- Check safety equipment before putting into service.

b) Maintenance

- Portable equipment shall be repaired outside or in a workshop specially equipped for servicing units with flammable refrigerants.
- Ensure sufficient ventilation at the repair place.
- Be aware that malfunction of the equipment may be caused by refrigerant loss and a refrigerant leak is possible.
- Discharge capacitors in a way that won't cause any spark. The standard procedure to short circuit the capacitor terminals usually creates sparks.
- Reassemble sealed enclosures accurately. If seals are worn, replace them.
- Check safety equipment before putting into service.

c) Repair

- Portable equipment shall be repaired outside or in a workshop specially equipped for servicing units with flammable refrigerants.
- Ensure sufficient ventilation at the repair place.
- Be aware that malfunction of the equipment may be caused by refrigerant loss and a refrigerant leak is possible.
- Discharge capacitors in a way that won't cause any spark.
- When brazing is required, the following procedures shall be carried out in the right order:
 - Remove the refrigerant. If the recovery is not required by national regulations, drain the refrigerant to the outside. Take care that the drained refrigerant will not cause any danger. In doubt, one person should guard the outlet. Take special care that drained refrigerant will not float back into the building.

- Evacuate the refrigerant circuit.
- Purge the refrigerant circuit with nitrogen for 5 min.
- Evacuate again.
- Remove parts to be replaced by cutting, not by flame.
- Purge the braze point with nitrogen during the brazing procedure.
- Carry out a leak test before charging with refrigerant.
- Reassemble sealed enclosures accurately. If seals are worn, replace them.
- Check safety equipment before putting into service.

d) Decommissioning

- If the safety is affected when the equipment is putted out of service, the refrigerant charge shall be removed before decommissioning.
- Ensure sufficient ventilation at the equipment location.
- Be aware that malfunction of the equipment may be caused by refrigerant loss and a refrigerant leak is possible.
- Discharge capacitors in a way that won't cause any spark.
- Remove the refrigerant. If the recovery is not required by national regulations, drain the refrigerant to the outside. Take care that the drained refrigerant will not cause any danger. In doubt, one person should guard the outlet. Take special care that drained refrigerant will not float back into the building.
- Evacuate the refrigerant circuit.
- Purge the refrigerant circuit with nitrogen for 5 min.
- Evacuate again.
- Fill with nitrogen up to atmospheric pressure.
- Put a label on the equipment that the refrigerant is removed.

e) Disposal

- Ensure sufficient ventilation at the working place.
- Remove the refrigerant. If the recovery is not required by national regulations, drain the refrigerant to the outside. Take care that the drained refrigerant will not cause any danger. In doubt, one person should guard the outlet. Take special care that drained refrigerant will not float back into the building.
- Evacuate the refrigerant circuit.
- Purge the refrigerant circuit with nitrogen for 5 min.
- Evacuate again.
- Cut out the compressor and drain the oil.

Transportation, marking and storage for units that employ flammable refrigerants

Transport of equipment containing flammable refrigerants

Attention is drawn to the fact that additional transportation regulations may exist with respect to equipment containing flammable gas. The maximum number of pieces of equipment or the configuration of the equipment, permitted to be transported together will be determined by the applicable transport regulations.

Marking of equipment using signs

Signs for similar appliances used in a work area generally are addressed by local regulations and give the minimum requirements for the provision of safety and/or health signs for a work location.

All required signs are to be maintained and employers should ensure that employees receive suitable and sufficient instruction and training on the meaning of appropriate safety signs and the actions that need to be taken in connection with these signs.

The effectiveness of signs should not be diminished by too many signs being placed together.

Any pictograms used should be as simple as possible and contain only essential details.

Disposal of equipment using flammable refrigerants

See national regulations.

Storage of equipment/appliances

The storage of equipment should be in accordance with the manufacturer's instructions.

Storage of packed (unsold) equipment

Storage package protection should be constructed such that mechanical damage to the equipment inside the package will not cause a leak of the refrigerant charge.

The maximum number of pieces of equipment permitted to be stored together will be determined by local regulations.

Vielen Dank, dass Sie sich für unser Produkt entschieden haben. Lesen Sie diese Bedienungsanleitung vor der Inbetriebnahme des Gerätes sorgfältig durch, um einen ordnungsgemäßen Betrieb sicherzustellen.

WICHTIGE ANWEISUNGEN:

Bei der Verwendung elektrischer Geräte müssen immer grundlegende Sicherheitsvorkehrungen beachtet werden, um die Risiken von Bränden, elektrischen Schlägen, Verbrennungen und anderen Verletzungen zu reduzieren.

1. Lesen und bewahren Sie diese Anleitungen auf. Achtung: Die Bilder in der Bedienungsanleitung dienen nur zur Veranschaulichung.
2. Dieses Gerät kann von Kindern ab 8 Jahren und von Personen mit eingeschränkten physischen, sensorischen oder geistigen Fähigkeiten oder ohne Erfahrung und/oder Wissen benutzt werden, wenn diese durch eine für ihre Sicherheit zuständige Person beaufsichtigt werden oder von ihr Anweisungen erhalten, wie das Gerät sicher zu benutzen ist und sie auf die Risiken aufmerksam gemacht wurden.
3. Kinder dürfen nicht mit dem Gerät spielen.
4. Kinder sollten dieses Gerät nicht unbeaufsichtigt reinigen oder warten.
5. Wenn die Netzanschlussleitung dieses Gerätes beschädigt wird, muss sie durch den Hersteller oder seinen Kundendienst oder eine ähnlich qualifizierte Person ersetzt werden, um Gefährdungen zu vermeiden.
6. Nur in geschlossenen Räumen verwenden.
7. Das Gerät nicht in der Nähe von Zündquellen oder dort verwenden, wo Ölspritzer entstehen können. Vor direktem Sonnenlicht und Spritzwasser schützen und nicht in der Nähe eines Bades, eines Wäscheraums, einer Dusche oder eines Schwimmbads aufstellen.
8. Die Finger nicht in den Luftauslass stecken. Kinder besonders auf diese Gefahren hinweisen.

9. Während des Transports und beim Aufbewahren das Gerät aufrecht abstellen, damit der Kompressor in korrekter Position bleibt.
10. Das Gerät vor dem Reinigen oder Verstellen immer ausschalten und vom Netz trennen.
11. Um Brände zu vermeiden, darf das Gerät nicht zugedeckt werden.
12. Alle für das Klimagerät verwendeten Steckdosen müssen die örtlichen Sicherheitsbestimmungen für Elektrogeräte erfüllen. Ggf. die Voraussetzungen hierfür überprüfen.
13. Bei der Geräteinstallation müssen die nationalen Vorschriften für die Elektroverdrahtung beachtet werden.
14. Angaben zu den Sicherungen: T, 250 VAC, 3,15 A.
15. Im Falle einer Reparatur oder Wartung am Gerät einen Vertragskundendienst kontaktieren.
16. Nicht am Netzkabel ziehen, das Kabel verändern oder in Wasser tauchen. Durch das Ziehen oder Zweckentfremden des Netzkabels können Geräteschäden und Stromschläge hervorgerufen werden.
17. Die nationalen Vorschriften für Gasverbraucher müssen eingehalten werden.
18. Reparaturen dürfen nur gemäß Empfehlungen des Herstellers vorgenommen werden. Reparatur- und Wartungsarbeiten, für die anderes Fachpersonal erforderlich ist, müssen unter Aufsicht einer Person durchgeführt werden, die sich mit dem Einsatz zündfähiger Kühlmittel auskennt.
19. Zum Unterbrechen oder Abstellen des Geräts nicht den Netzstecker ziehen. Das kann Stromschläge oder Brände aufgrund der Wärmefreisetzung hervorrufen.
20. Netzstecker ziehen, falls seltsame Geräusche, Gerüche oder Rauch aus dem Gerät aufsteigen.
21. Zum Anschließen des Geräts immer eine geerdete Steckdose verwenden.
22. Im Falle einer Beschädigung das Gerät ausschalten, vom Netz trennen und zwecks Reparatur einen Vertragskundendienst kontaktieren.

23. Bis auf die vom Hersteller empfohlenen Hilfsmittel keine anderen Mittel einsetzen, um den Abtauvorgang zu beschleunigen oder das Gerät zu reinigen.
24. Das Gerät muss in einem Raum aufbewahrt werden, in dem sich keine dauerhaft funktionierenden Zündquellen befinden (z. B. offene Flammen, ein in Betrieb befindliches gasbetriebenes Gerät oder eine in Betrieb befindliche Elektroheizung).
25. Nicht hineinstecken oder verbrennen.
26. Wir weisen darauf hin, dass Kältemittel unter Umständen geruchlos sind.
27. Dieses Gerät enthält gasförmiges Kältemittel vom Typ R290. R290 ist Kältemittel in Gasform, das den europäischen Umweltrichtlinien entspricht. Der Kältemittelkreislauf darf an keiner Stelle durchstoßen werden.
28. Wird das Gerät in einem unbelüfteten Bereich installiert, betrieben oder aufbewahrt, muss der Raum so konzipiert sein, dass sich kein ausgelaufenes Kältemittel sammeln und zu einer Brand- oder Explosionsgefahr werden kann, falls das Kältemittel durch eine Elektroheizung, Ofen oder eine andere Zündquelle gezündet wird.
29. Das Gerät muss so gelagert werden, dass keine mechanischen Defekte auftreten können.
30. Die Person, die arbeiten am Kältemittelkreislauf ausführt oder diesen betreibt, muss ein entsprechendes Zertifikat vorlegen können, das von einem akkreditierten Institut ausgestellt wurde und nachweist, dass die Person über die Fachkompetenzen zur industriekonformen Handhabung von Kältemitteln verfügt.
31. Bei der Ausführung von Reparaturen müssen die Empfehlungen des Herstellers zugrunde gelegt werden. Wartungs- und Reparaturarbeiten, für die weiteres Fachpersonal erforderlich ist, müssen unter der Aufsicht einer Person durchgeführt werden, die sich mit der Verwendung zündfähiger Kältemittel auskennt.

32. Die folgenden Absätze bei der Reparatur von Geräten mit R290 Kältemittel beachten.
33. Nach dem Transport an einen anderen Ort muss das Gerät immer mindestens 2 Stunden ruhen.



Warnung: Brandgefahr / zündfähiges Material.



Anleitungen lesen.



Bedienungsanleitung; Betriebsanleitung.



Symbol für Reparatur/Wartung; technische

Anleitung lesen.

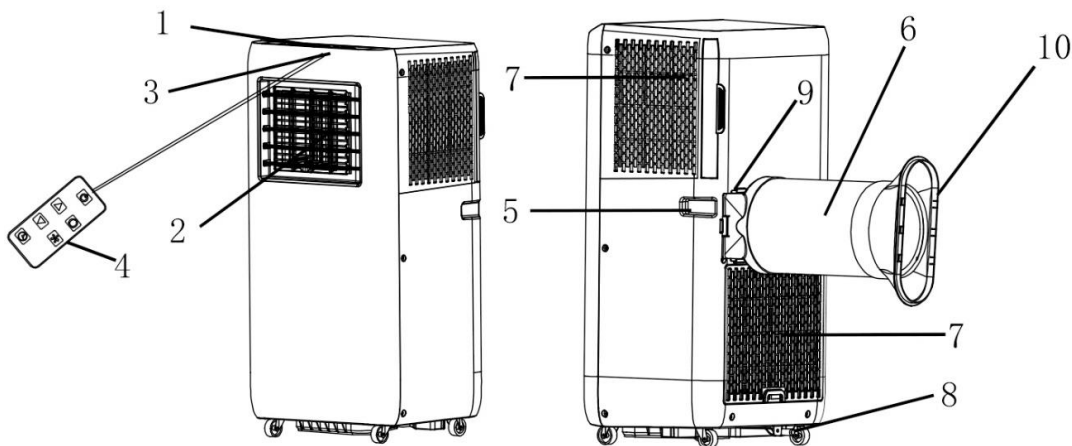
Warnung: Belüftungsöffnungen von Blockaden frei halten.

Warnung: Das Gerät muss in einem gut belüfteten Raum stehen, dessen Größe mit den Raumangaben in den technischen Daten übereinstimmt.

Ein Mindestabstand von 30 cm sollte um das Gerät herum eingehalten werden.

Das Gerät muss in einem Raum installiert, betrieben und aufbewahrt werden, dessen Bodenfläche größer ist als 4 m².

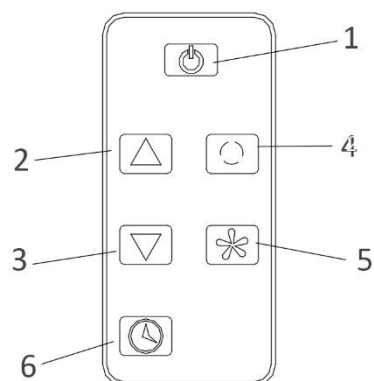
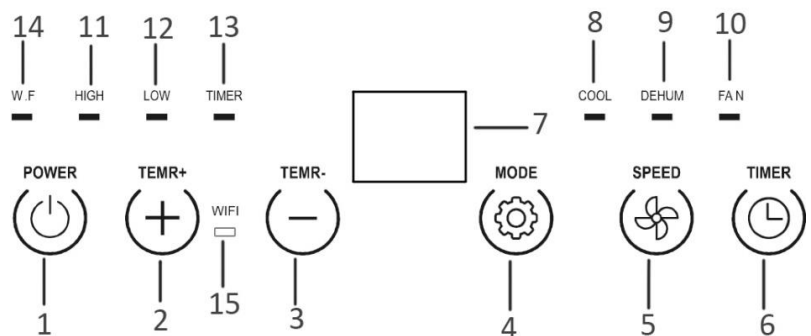
BEZEICHNUNG DER EINZELTEILE



- 1. Bedienfeld
- 2. Luftauslass und Luftleitlamellen
- 3. Signalempfänger
- 4. Fernbedienung
- 5. Griff
- 6. Abluftschlauch
- 7. Luftenlass und Luftfilter
- 8. Ablauföffnung (mit Stopfen verschlossen)
- 9. Schlauchanschluss
- 10. Fensteradapter

Bedienfeld

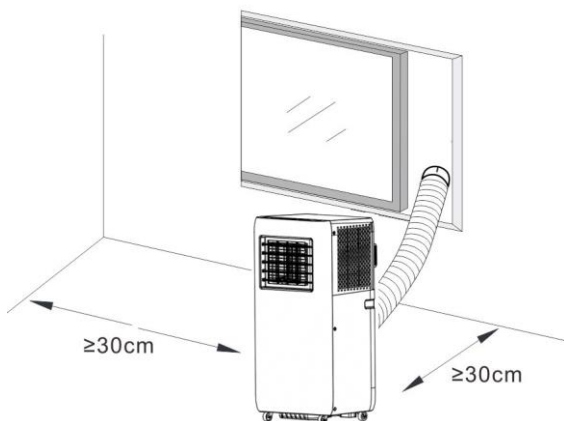
- 1. Hauptschalter
- 2. Taste Temperatur/Timer +
- 3. Taste Temperatur/Timer -
- 4. Modus-Taste
- 5. Lüfterstufenschalter
- 6. Timer-Taste
- 7. Digitales Display
- 8. Anzeigeleuchte Kühlbetrieb
- 9. Anzeigeleuchte Entfeuchtungsstufe
- 10. Anzeigeleuchte Ventilatormodus
- 11. Anzeigeleuchte hohe Lüfterstufe
- 12. Anzeigeleuchte niedrige Lüfterstufe
- 13. Timer-Anzeigeleuchte
- 14. Anzeigeleuchte Wasserbehälter voll
- 15. WLAN-Anzeigeleuchte



Dieses Gerät hat eine Fernbedienung. Für die Fernbedienung wird eine CR2025 Batterie mitgeliefert. Vor der Benutzung der Fernbedienung muss der Kunststoffschutz von der Batterie entfernt werden. Zum Wechseln der Batterie bitte die Anweisungen hinten auf der Fernbedienung befolgen. Wird die Fernbedienung längere Zeit nicht genutzt, nehmen Sie die Batterie heraus. Knopfzellenbatterien sind außer Reichweite von kleinen Kindern zu halten.

MONTAGE

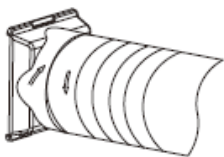
- Das Gerät muss auf einer ebenen Fläche aufgestellt werden, auf der der Luftauslass nicht blockiert wird. Ein Mindestabstand von 30 cm sollte um das Gerät herum eingehalten werden.



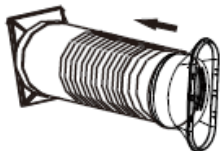
- Das Gerät darf nicht in einem Wäscheraum aufgestellt werden.
- Zum Verlängern des Abluftschlauchs ziehen Sie an beiden Schlauchenden.



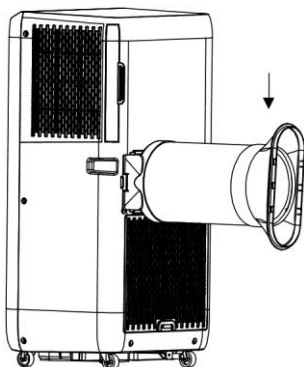
- Schrauben Sie den Abluftschlauch am Schlauchanschluss fest.



- Schrauben Sie das andere Ende des Abluftschlauchs am Fensteradapter fest.



- Führen Sie den Schlauchanschluss in die Halterung auf der Rückseite des Geräts ein.



BETRIEB

*Nach dem Transport an einen anderen Ort muss das Gerät immer mindestens 2 Stunden ruhen.

Vor dem Gebrauch prüfen, ob der Abluftschlauch auch korrekt angebracht ist. Gerät an eine Steckdose anschließen. Die Lamellen können manuell verstellt werden.

1. Betriebstaste

Drücken Sie zum Einschalten die Betriebstaste. Das Gerät nimmt nun den Betrieb auf.

Die Taste erneut drücken, um das Gerät auszuschalten.

2. Tasten zur Hochsetzung der Temperatur/des Timers & zur Herabsetzung der Temperatur/des Timers

Drücken Sie die Taste „+“/“-“ auf dem Bedienfeld oder die Taste “▲”/“▼” auf der Fernbedienung, um eine gewünschte Raumtemperatur zwischen 15 und 31°C einzustellen. Die Tasten dienen auch zur Einstellung des Timers. Mit jedem Tastendruck erhöht/verringert sich der Wert um 1 (°C bzw. Stunde).

3. Taste Ventilatorstufe

Lüfterstufenschalter drücken, um zwischen niedriger und hoher Lüfterstufe umzuschalten. Die entsprechende Anzeigelampe leuchtet dann auf „LOW“/“HIGH“.

4. Modus-Taste

Die Modus-Taste drücken, um zwischen Kühlen, Entfeuchten und Lüften umzuschalten. Nach Auswahl des Betriebsmodus leuchtet die entsprechende Anzeigeleuchte auf.

- Kühlbetrieb

Der Kompressor wird zugeschaltet, sobald die Raumtemperatur höher als die Solltemperatur ist.

Wenn die Raumtemperatur niedriger als die Solltemperatur ist, hält der Kompressor an und der Lüfter dreht sich mit der ursprünglichen Söldrehzahl.

Hinweis: Während des Kompressorbetriebs vibriert das Gerät leicht. Dies ist normal und harmlos.

- Entfeuchtungsmodus

Im Entfeuchtungsmodus läuft der Ventilator auf niedriger Stufe. Die Ventilatorstufe und -temperatur können nicht verstellt werden.

Der Kompressor hält nach 8 Minuten Betrieb an und schaltet sich nach 6 Minuten wieder zu. Dieser Ablauf wiederholt sich ständig.

- Lüfterbetrieb

Wenn der Lüfter mit der eingestellten Drehzahl läuft, ist der Kompressor aus.

Die Einstellung der Temperatur hat im Lüfterbetrieb keine Auswirkungen auf die Gerätefunktion.

5. Timer-Taste

Einschaltautomatik einstellen

- Bei ausgeschaltetem Gerät die Timer-Taste drücken. Die Timer-LED blinkt.
- Zum Einstellen der gewünschten Einschaltzeit (1 bis 24 Stunden) drücken Sie die Timer+/- Taste. Die Timer-Anzeige blinkt einige Sekunden lang und leuchtet anschließend kontinuierlich. Das digitale Display schaltet sich aus. Die Timer-Einstellung ist bestätigt.
- Sie können die Lüftergeschwindigkeit oder den Modus gleichzeitig auswählen.
- Sobald die vorgewählte Anzahl der Stunden vorüber ist, schaltet sich das Gerät automatisch ein.

Ausschaltautomatik einstellen

- Bei eingeschaltetem Gerät die Timer-Taste drücken. Die Timer-Anzeige blinkt.
- Zum Einstellen der gewünschten Ausschaltzeit (1 bis 24 Stunden) drücken Sie die Timer+/- Taste. Die Timer-Anzeige blinkt einige Sekunden und leuchtet anschließend kontinuierlich. Die Timer-Einstellung ist bestätigt.
- Sobald die vorgewählte Anzahl der Stunden vorüber ist, schaltet sich das Gerät automatisch aus.

Um den Timer abzubrechen, drücken Sie die Timer-Taste. Wenn die Timer-Anzeigeleuchte blinkt, drücken Sie die Timer-Taste erneut. Die Timer-Anzeigeleuchte erlischt anschließend.

HINWEIS:

- Wenn die unten aufgeführten Bedingungen zutreffen, löst unter Umständen die Sicherung aus und das Gerät hält an.

Kühlen	Raumtemperatur übersteigt 43 °C.
	Raumtemperatur liegt unter 15 °C.
Luftentfeuchtung	Raumtemperatur liegt unter 15 °C.

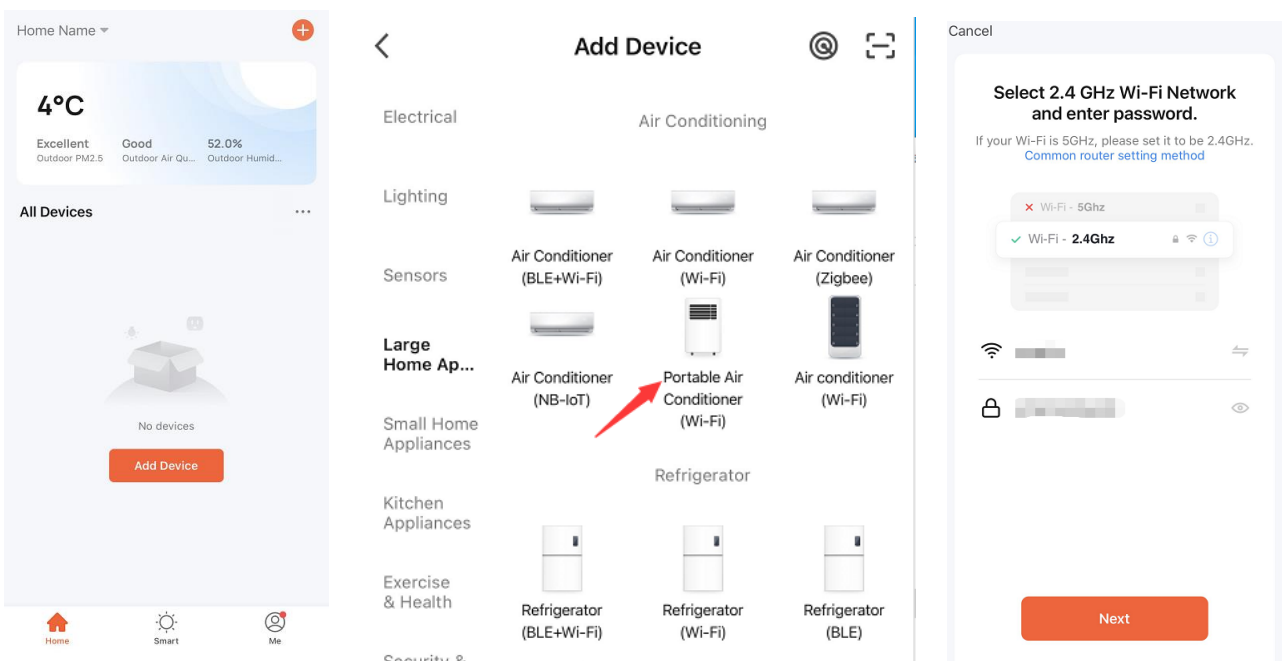
- Falls das Gerät im Kühl- oder Trockenbetrieb läuft und eine Tür oder ein Fenster länger geöffnet ist und die relative Luftfeuchte höher als 80 % ist, kann aus dem Luftauslass Tauwasser tropfen.

Wasser ablaufen lassen

- 1) Besonderer Hinweis: Im Geräteinneren wird Kondenswasser rückgewonnen. Dieser Vorgang ist nicht sichtbar. Das Kondenswasser wird zum Teil zwischen dem Kondensator und der Auffangwanne zurückgewonnen. Steigt der Wasserstand bis zur oberen Füllmarke, wird der Wasserstand-Fehler "E4" im Digital-Display angezeigt, um an das Ablassen des Wassers zu erinnern.
- 2) Ziehen Sie den Netzstecker des Geräts, fahren Sie es an einen geeigneten Ort und ziehen Sie den Stopfen, um das Wasser über den Geräteablauf vollständig ablaufen zu lassen. Falls es die Umstände erlauben, können Sie auch den Ablaufschlauch an die Ablauföffnung anschließen und das Wasser ablaufen lassen.
- 3) Bringen Sie den Stopfen nach dem Entleeren des Geräts wieder an der Ablauföffnung an. Andernfalls läuft Wasser aus dem Gerät aus und der Raum wird nass.

WLAN-Kopplungsanleitung (Die APP-Anleitung wird unter Umständen nicht regelmäßig aktualisiert. Das kann mit einer Aktualisierung der Software-Version oder mit anderen Gründen zusammenhängen. Diese Anleitung dient nur als Leitfaden.)

1. Suchen Sie im App Store (iOS) oder auf Google Play (Android) nach der App "Tuya Smart" und laden Sie sie auf Ihr Smartphone herunter. Registrieren Sie sich oder melden Sie sich bei Ihrem Tuya Konto an.
2. Stellen Sie sicher, dass sich Ihr Gerät im Standby-Modus befindet. Halten Sie die Taste länger gedrückt, bis ein akustisches Signal ertönt. Die WLAN-Anzeigeleuchte blinkt schnell.
3. Drücken Sie das Pluszeichen „+“ oben rechts bzw. wählen Sie auf der Startseite von Tuya die Option „Add Device“, um Ihr Gerät hinzuzufügen.
4. Suchen Sie die Kategorie „Portable Air Conditioner“. Tippen Sie auf das zugehörige Symbol. In einer Meldung müssen die Verwendung des 2,4 GHz WLAN-Netzwerks bestätigen. 5 GHz WLANs werden von dieser Anwendung nicht unterstützt.
5. Geben Sie Ihr WLAN-Passwort ein, um sich mit dem WLAN zu verbinden. Kontrollieren Sie, ob die WLAN-Anzeigeleuchte schnell blinkt. Wählen Sie dann „Weiter“. Die Anwendung fragt das Gerät und fügt es hinzu.



6. Wenn das Gerät erfolgreich hinzugefügt wurde, leuchtet die WLAN-Anzeigeleuchte weiter.
7. Nun können Sie das Gerät mit der APP bedienen.

Hinweis:

- Wenn Sie in der APP auf Modus tippen, haben Sie die Auswahl zwischen "Cool, Dry und Fan". Dry steht für den Entfeuchtungsmodus.
- Berühren Sie die Temperaturanzeige, um zwischen Fahrenheit und Celsius umzuschalten.
- Falls sich die Netzwerkumgebung für das Gerät geändert hat, muss es erneut konfiguriert werden.
- Zum Aus- und Einschalten der WLAN-Funktion halten Sie die Mode-Taste auf dem Bedienfeld gedrückt, wenn sich das Gerät im Standby-Modus befindet. Wenn die WLAN-Anzeigeleuchte schnell blinkt, wartet das Gerät auf eine Kopplung. Wenn die WLAN-Anzeigeleuchte weiterhin leuchtet, wurde die WLAN-Verbindung hergestellt. Wenn die WLAN-Anzeigeleuchte erlischt, wurde das WLAN ausgeschaltet.

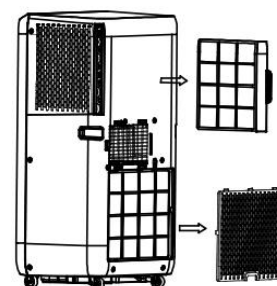
REINIGUNG UND WARTUNG

- Vor dem Reinigen den Gerätestecker aus der Steckdose ziehen.
- Zum Reinigen des Geräts kein Benzin oder sonstige Chemikalien verwenden.
- Das Gerät nicht direkt abwaschen.
- Wenn das Gerät beschädigt ist, bitte den Händler oder eine Werkstatt kontaktieren.

Luftfilter

Die Luftfilter sollten alle zwei Wochen gereinigt werden, um zu verhindern, dass sie durch Staub/Verunreinigungen verstopft werden.

- Luftfilter an der Lasche herausziehen.
- Den Luftfilter in lauwarmem Wasser (< 40 °C) und Neutralreiniger auswaschen und im Schatten trocknen lassen.
- Den Luftfilter wieder montieren.



Flächen reinigen

Die Flächen zunächst mit einem Neutralreiniger und einem feuchten Lappen abwischen, danach mit einem trocknen Tuch abwischen.

PROBLEMBEHEBUNG

Folgende Umstände deuten nicht immer auf eine Fehlfunktion hin. Lesen Sie sich die Vorschläge durch, bevor Sie eine Reparatur in Auftrag geben.

Problem	Erläuterung
Keine Funktion	<ul style="list-style-type: none"> • Geräteschutz oder Sicherung hat ausgelöst. • Warten Sie 3 Minuten lang und starten Sie das Gerät erneut. Eventuell hat der Geräteschutz den Betrieb verhindert. • Batterien in der Fernbedienung sind leer. • Der Netzstecker ist nicht richtig angeschlossen.
Nur kurz eingeschaltet	<ul style="list-style-type: none"> • Ist die Solltemperatur kaum höher als die Raumtemperatur, können Sie die Solltemperatur senken. • Der Luftauslass ist durch ein Hindernis blockiert. Hindernis entfernen.
Wasser tritt beim Versetzen des Geräts aus	<ul style="list-style-type: none"> • Lassen Sie das Kondensat ab, bevor Sie das Gerät versetzen. • Stellen Sie das Gerät auf einem ebenen Boden ab, um ein Auslaufen von Wasser zu vermeiden.
Keine Funktion und in der Anzeige wird „E4“ gemeldet (Wasserbehälter voll)	<ul style="list-style-type: none"> • Ziehen Sie den Gummistopfen ab, um das Wasser abzulassen. • Tritt dieser Fall häufiger auf, wenden Sie sich an einen qualifizierten Kundendienst.
Gerät hält automatisch an	<ul style="list-style-type: none"> • Timer-Abschaltung • Solltemperatur erreicht

TECHNISCHE DATEN

Für das Gerät gelten folgende Anschlusswerte

Modell	PAC-127277
Nennspannung	220-240V
Nennfrequenz	50Hz
Nenneingangsleistung	750W
Nennstrom	3.4A
Kühlleistung	7000BTU
Trocknungsleistung (l/h)	0.8
Luftvolumen	270m ³ /h
Max. Sendeleistung	17,5 dBm
Frequenzbereich	2412 - 2472 MHz

Wir, Emerio, erklären in alleiniger Verantwortung, dass das Produkt: PAC-127277 die grundlegenden Anforderungen und weitere relevante Voraussetzungen gemäß RED-Richtlinie (2014/53/EU) erfüllt

Die vollständige CE-Erklärung ist unter folgender Adresse abrufbar: www.emerio.eu

ERP-INFORMATIONEN

	Wert
Handelsmarke	Emerio
Modellbezeichnung	PAC-127277
Schalleistung (Kühlbetrieb)	64dB(A)
Bezeichnung des Kältemittels	R290
Nenneingangsleistung im Kühlbetrieb (kW)	0.755
Bemessene Energieeffizienz	2.7
GWP (kgCO ₂ eq)	3
Energieeffizienzklasse	A
Energieverbrauch bei Geräten mit Zweikreisystemen (kWh/h)	-
Energieverbrauch bei Geräten mit Einkreisystemen (kWh/h)	0.755
Leistungsverbrauch bei ausgeschaltetem Thermostat (W)	-
Leistungsverbrauch im Standby (W)	0.85
Kühlleistung	7000BTU
<p>Kältemittellecks tragen zum Klimawandel bei. Ein Kältemittel mit geringerem Treibhauspotenzial (GWP, Global Warming Potential) trägt in geringerem Maße zur globalen Erwärmung bei als ein Kältemittel mit höherem Treibhauspotenzial, wenn es in die Atmosphäre entweicht. Dieses Gerät enthält ein flüssiges Kältemittel mit einem GWP-Wert von 3. Das bedeutet: Wenn 1 kg dieses flüssigen Kältemittels in die Atmosphäre gelangen würde, wäre die Auswirkung auf die globale Erwärmung über einen Zeitraum von 100 Jahren dreimal höher als bei 1 kg CO₂. Versuchen Sie niemals, selbst in den Kältemittelkreislauf einzugreifen oder das Produkt zu zerlegen. Beauftragen Sie immer eine Fachkraft.</p> <p>#Bei 60-minütigem Gebrauch unter Standardtestbedingungen beträgt der Energieverbrauch 0.755 kWh für Modell PAC-127277. Der tatsächliche Energieverbrauch hängt davon ab, wie und wo das Gerät benutzt wird.</p> <p>Um weitere Informationen zu erhalten, kontaktieren Sie bitte: Emerio International AB Smedjegatan 6 131 54 Nacka Sweden</p>	

GARANTIE UND KUNDENSERVICE

Vor der Lieferung werden unsere Geräte einer strengen Qualitätskontrolle unterzogen. Wenn, trotz aller Sorgfalt, während der Produktion oder dem Transport Beschädigungen aufgetreten sind, senden Sie das Gerät zurück an den Händler. Zusätzlich zu den gesetzlichen Rechten hat der Käufer die Option, gemäß den

folgenden Bedingungen Garantie zu fordern:

Wir bieten eine 2-Jahres-Garantie für das erworbene Gerät, beginnend am Tag des Verkaufs. Defekte, die aufgrund von unangemessenem Umgang mit dem Gerät entstehen und Störungen aufgrund von Eingriffen und Reparaturen Dritter oder das Montieren von nicht-Originalteilen werden nicht von dieser Garantie abgedeckt. Die Quittung immer aufbewahren, ohne Quittung wird jegliche Garantie ausgeschlossen. Bei Schäden durch Nichteinhalten der Bedienungsanleitung erlischt die Garantie, Wir sind für daraus resultierende Folgeschäden nicht haftbar. Für Materialschäden oder Verletzungen aufgrund falscher Anwendung oder Nichtbefolgen der Sicherheitshinweise sind wir nicht haftbar. Schäden an den Zubehörteilen bedeutet nicht, dass das gesamte Gerät kostenlos ausgetauscht wird. In diesem Fall kontaktieren Sie unseren Kundendienst. Zerbrochenes Glas oder Kunststoffteile sind immer kostenpflichtig. Schäden an Verbrauchsmaterialien oder Verschleißteilen, sowie Reinigung, Wartung oder Austausch der besagten Teile werden durch die Garantie nicht abgedeckt und sind deshalb kostenpflichtig.

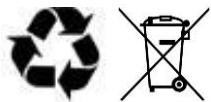
UMWELTGERECHTE ENTSORGUNG



Wiederverwertung – Europäischen Richtlinie 2012/19/EG

Dieses Symbol zeigt an, dass das Produkt nicht zusammen mit Haushaltsabfällen entsorgt werden darf. Um Umwelt- und Gesundheitsschäden durch unkontrollierte Abfallentsorgung zu verhindern,

bitte verantwortungsbewusst entsorgen, um die nachhaltige Wiederverwertung von Ressourcen zu fördern. Nutzen Sie zur Rückgabe Ihres Altgeräts bitte die Rückgabe- und Sammelsysteme oder wenden Sie sich an den Händler bei dem Sie dieses Gerät erworben haben. Dieser kann das Gerät umweltschonend entsorgen.



BATTERIEN MÜSSEN WIEDERVERWERTET ODER KORREKT ENTSORGT WERDEN. NICHT ÖFFNEN. NICHT WEGWERFEN, IN FEUER WERFEN ODER KURZSCHLIESSEN.

ANWEISUNGEN FÜR DIE REPARATUR VON GERÄTEN, DIE R290 ENTHALTEN

1. Reparaturen

1) Prüfung des Bereichs

Vor Arbeiten an Systemen, die zündfähige Kältemittel enthalten, sind Sicherheitskontrollen erforderlich, um für eine Minimierung des Zündrisikos zu sorgen. Zur Reparatur von Kälteanlagen müssen die folgenden Sicherheitsvorkehrungen getroffen werden, bevor Arbeiten an den Anlagen durchgeführt werden.

2) Arbeitsweise

Die Arbeiten müssen unter kontrollierten Bedingungen ausgeführt werden, um das Risiko so gering wie möglich zu halten, dass während der Arbeiten zündfähige Gase oder Dämpfe vorhanden sind.

3) Allgemeines zum Arbeitsbereich

Das gesamte Wartungspersonal sowie andere, die in dem Arbeitsbereich tätig sind, müssen in die Art der auszuführenden Arbeiten eingewiesen werden. Arbeiten bei mangelndem Platzangebot sind zu vermeiden. Die Zone um den Arbeitsbereich herum muss abgesperrt werden. Es ist sicherzustellen, dass die Arbeitsbedingungen innerhalb der Zone durch eine Kontrolle des zündfähigen Materials sicher gemacht wurden.

4) Prüfung auf Kältemittel

Mit einem geeigneten Kältemittel-Detektor muss der Bereich vor Beginn und während der Arbeiten auf das Vorhandensein eines Kältemittels überprüft werden, damit das technische Personal über eine potenziell zündfähige Atmosphäre informiert ist. Das verwendete Lecksuchgerät muss für die Erkennung von zündfähigen Kältemitteln geeignet sein, d. h. es darf keine Funken bilden und es muss angemessen versiegelt bzw. eigensicher sein.

5) Prüfung auf Feuerlöschgeräte

Falls Heiarbeiten an Kälteanlagen oder dazu gehrigen Komponenten durchzufhren sind, muss eine geeignete Feuerlscheinrichtung griffbereit sein. Neben dem Einlaufbereich sollte ein Feuerlschgert mit Trockenpulver oder CO₂ bereit stehen.

6) Keine Zndquellen

Personen, die Arbeiten an einer Klteanlage ausfhren, bei denen Rohrleitungen freigelegt werden, in denen zndfhige Kltemittel geleitet werden oder wurden, drfen Zndquellen keinesfalls auf eine Weise benutzen, die zu einer Brand- oder Explosionsgefahr fhren kann. Alle mglichen Zndquellen wie etwa das Rauchen von Zigaretten sollten in gengend sicherem Abstand von dem Ort der Installation, Reparatur, Verlegung und Entsorgung fern gehalten werden, bei der unter Umstnden zndfhiges Kltemittel an die Umgebung freigesetzt wird. Vor der Ausfhrung von Arbeiten muss der Bereich um die Anlage herum auf gefhrliche Zndquellen oder Brandgefhrdungen untersucht werden. „Rauchen verboten“ Schilder mssen aufgestellt werden.

7) Belfteter Bereich

Der Arbeitsbereich muss sich im Freien befinden oder ausreichend belftet werden, bevor die Anlage geffnet wird oder Heiarbeiten durchgefhrt werden. Fr den gesamten Zeitraum der Arbeitsausfhrung muss ein gewisser Grad an Belftung aufrechterhalten bleiben. Die Belftung muss das freigesetzte Kltemittel sicher verteilen und vorzugsweise nach auen an die Atmosphre befrdern knnen.

8) berprfung der Klteanlage

Sofern Elektrokomponenten auszuwechseln sind, mssen diese fr den jeweiligen Zweck geeignet sein und die richtigen technischen Eigenschaften besitzen. Die Wartungs- und Instandhaltungsvorschriften des Herstellers mssen stets befolgt werden. Im Zweifelsfall bei der technischen Abteilung des Herstellers rckfragen.

Folgende Kontrollen mssen bei Anlagen mit zndfhigen Kltemitteln durchgefhrt werden:

- Die Einfllmenge muss der Gre des Raums entsprechen, in dem die Kltemittel enthaltenden Teile installiert werden;

- Die Belüftungsmaschinen und Auslässe funktionieren einwandfrei und werden nicht blockiert;
- Bei Einsatz eines indirekten Kältemittelkreislaufs muss der sekundäre Kreislauf auf Kältemittelaustritte geprüft werden;
- Die Kennzeichnungen an der Anlage sind deutlich sichtbar und leserlich. Nicht lesbare Kennzeichnungen und Schilder müssen korrigiert werden;
- Kühlrohrleitungen oder Komponenten sind in Positionen installiert, in denen eine Gefährdung durch andere Stoffe, die Kältemittel enthaltende Komponenten angreifen können, unwahrscheinlich ist, es sei denn, die Komponenten bestehen aus Materialien, die stoffbedingt korrosionsresistent sind oder sie werden auf geeignete Weise vor Korrosion geschützt.

9) Prüfung elektrischer Geräte

Zu Reparatur- und Wartungsarbeiten an Elektroteilen gehören auch Sicherheits-Erstprüfungen sowie Arbeitsschritte zur Komponentenprüfung. Liegt ein Defekt vor, der die Sicherheit gefährden könnte, darf solange keine elektrische Versorgung an den Verbraucher angeschlossen werden, bis der Defekt zufriedenstellend behoben wurde. Sollte sich der Defekt nicht unmittelbar beheben lassen, jedoch der Betrieb fortgesetzt werden muss, muss auf eine angemessene Behelfslösung verwendet werden. Diese sollte dem Eigentümer der Anlage mitgeteilt werden, sodass alle Beteiligten informiert sind. Zu den Sicherheits-Erstprüfungen gehören folgende:

- Kondensatoren müssen entladen werden. Dies muss auf sichere Art und Weise geschehen, um eine Funkenbildung zu vermeiden;
- Beim Befüllen, Nachfüllen oder Spülen der Anlage dürfen keine stromführenden Komponenten und Leitungen frei liegen;
- Es muss eine durchgängige Verbindung zur Schutzterde vorhanden sein.

2) Reparaturen an versiegelten Komponenten

1) Bei Reparaturen an versiegelten Komponenten müssen alle elektrischen Versorgungseinrichtungen von der Anlage getrennt werden, an der Arbeiten ausgeführt werden, bevor versiegelte Schutzvorrichtungen o. ä. entfernt werden. Falls eine elektrische Versorgung der Anlage während der Wartungsarbeiten unvermeidlich ist, muss eine permanent arbeitende Leckerkennung an den kritischsten Stellen vorgesehen werden, um vor eventuellen Gefahrensituationen zu warnen.

2) Besondere Aufmerksamkeit sollte den nachfolgenden Punkten geschenkt werden, um sicher zu stellen, dass durch Arbeiten an den elektrischen Komponenten nicht die Umhausung soweit verändert wird, dass der Schutzgrad dadurch eingeschränkt wird. Dazu gehören unter anderem Kabelschäden, eine überhöhte Anzahl an Anschlüssen, Anschlüsse, die nicht nach Herstellerspezifikationen hergestellt werden, Schäden an Versiegelungen, eine falsche Montage von Kabeldurchführungen etc.

Sicher stellen, dass das Gerät fest aufgestellt ist. Sicher stellen, dass weder Versiegelungen noch Dichtstoffe so sehr gealtert sind, dass sie ein Eindringen zündfähiger Atmosphären nicht mehr verhindern und somit ihren Zweck nicht mehr erfüllen können. Ersatzteile müssen den Spezifikationen des Herstellers entsprechen.

HINWEIS: Die Verwendung von Silikondichtmitteln kann die Wirksamkeit mancher Leckdetektorgeräte beeinträchtigen. Eigensichere Komponenten müssen nicht elektrisch getrennt werden, bevor an ihnen gearbeitet wird.

3) Reparaturen an eigensicheren Komponenten

Keine permanenten induktiven oder kapazitiven Verbraucher an die Schaltung anlegen, wenn nicht dafür gesorgt ist, dass Spannung und Strom die zulässigen Grenzen für den Betrieb der Anlage überschreiten. Eigensichere Komponenten sind die einzigen Teile, an denen bei anliegendem Strom und zündfähiger Atmosphäre gearbeitet werden kann. Das Prüfinstrument muss die korrekten Bemessungswerte vorweisen. Komponenten nur durch Teile ersetzen, die vom Hersteller angegeben sind. Fremdteile können in der Atmosphäre einer Leckage zu einer Zündung des Kältemittels führen.

4) Kabelverbindungen

Kabelverbindungen auf Verschleiß, Korrosion, zu hohem Druck, Vibrationen, scharfe Kanten oder andere schädliche Umgebungsauswirkungen überprüfen. Bei der Prüfung sollten auch die Folgen von Alterung oder dauernden Vibrationen aufgrund von Kompressoren oder Lüftern berücksichtigt werden.

5) Erkennung zündfähiger Kältemittel

Unter keinen Umständen dürfen potenzielle Zündquellen dafür benutzt werden, um Kältemittel-Leckagen zu lokalisieren oder zu detektieren. Ein Halogen-Lecksucher (oder jeder andere Detektor, der eine offene Flamme einsetzt) darf nicht benutzt werden.

6) Verfahren der Leckerkennung

Folgende Leckdetektor-Verfahren gelten als zulässig für Anlagen, die zündfähige Kältemittel enthalten.

Elektronische Leckdetektoren müssen für die Erkennung zündfähiger Kältemittel eingesetzt werden, jedoch ist die Empfindlichkeit unter Umständen nicht ausreichend oder sie müssen neu kalibriert werden. (Detektorgeräte müssen in einem Kältemittel freien Bereich kalibriert werden.) Sicher stellen, dass der Detektor keine potenzielle Zündquelle für das verwendete Kältemittel darstellt. Das Leckdetektorgerät muss auf einen Prozentsatz des LFL des Kältemittels eingestellt werden und es muss für das eingesetzte Kältemittel kalibriert werden. Die entsprechende Menge Gas (maximal 25 %) ist zu bestätigen. Flüssige Leckdetektoren eignen sich für die meisten Kältemittel, jedoch müssen chlorhaltige Detektoren vermieden werden, da das Chlor mit dem Kältemittel reagieren und Kupferrohrleitungen angreifen kann. Falls ein Leckverdacht besteht, sollten alle offenen Flammen entfernt bzw. gelöscht werden. Wenn ein Kältemittelleck gefunden wird und Hartlötarbeiten erforderlich sind, muss das gesamte Kältemittel aus der Anlage aufgefangen oder (durch Absperrschieber) in einen Teil der Anlage abgeschieden werden, der von der Leckstelle weit entfernt ist. Sauerstofffreier Stickstoff (OFN) muss anschließend zum Spülen der Anlage vor sowie während der Hartlötarbeiten eingesetzt werden.

7. Entfernen und Evakuierung

Wenn der Kältemittelkreis für Reparaturarbeiten oder für andere Zwecke unterbrochen wird, müssen herkömmliche Methoden verwendet werden. Es sollte dabei jedoch immer eine in der Praxis bewährte Vorgehensweise benutzt werden, da die Zündfähigkeit ein kritischer Punkt ist. Nach folgender Vorgehensweise richten:

- Kältemittel entfernen;
- Den Kreislauf mit einem Edelgas spülen;
- Evakuieren;
- Nochmals mit Edelgas spülen;
- Den Kreislauf durch Trennschneiden oder Hartlöten öffnen.

Das vorhandene Kältemittel in geeigneten Behältern auffangen. Um die Anlage sicher zu machen, mit sauerstofffreiem Stickstoff „spülen“. Der Vorgang muss eventuell mehrmals wiederholt werden. Für diese Aufgabe darf weder Druckluft noch Sauerstoff verwendet werden. Zum Spülen wird der Unterdruck in der Anlage mit sauerstofffreiem Stickstoff aufgehoben und weiter gefüllt, bis der Betriebsdruck erreicht ist. Danach wird der Stoff in die Atmosphäre entlüftet und der Unterdruck wieder hergestellt. Dieser Vorgang wird wiederholt, bis sich kein Kältemittel mehr in der Anlage befindet. Nach dem letzten Stickstoff-Spülgang wird die Anlage bis auf Atmosphärendruck entlüftet, damit die Arbeiten ausgeführt werden können. Dieser Vorgang ist ein absolutes Muss, wenn Hartlötarbeiten an den Rohrleitungen auszuführen sind. Dafür sorgen, dass der Auslauf der Unterdruckpumpe nicht in der Nähe von Zündquellen liegt und dass eine Belüftung verfügbar ist.

8. Vorgehensweise beim Befüllen

Abgesehen von den herkömmlichen Befüllungsarbeiten müssen die folgenden Anweisungen befolgt werden.

- Bei Einsatz der Einfüllgeräte dafür sorgen, dass keine Verunreinigung durch verschiedene Kältemittel stattfindet. Schläuche oder Leitungen müssen so kurz wie möglich sein, um die Menge des darin enthaltenen Kältemittels zu minimieren.
 - Behälter müssen aufrecht gestellt werden.
 - Dafür sorgen, dass die Kälteanlage geerdet wird, bevor das Kältemittel eingefüllt wird.
 - Nach Abschluss der Befüllung muss die Anlage gekennzeichnet werden (sofern nicht schon geschehen).
 - Es muss besonders darauf geachtet werden, dass die Kälteanlage nicht überfüllt wird.
- Vor dem Auffüllen der Anlage sollte diese mittels sauerstofffreiem Stickstoff druckgeprüft werden. Nach Abschluss der Befüllung und vor der Inbetriebnahme muss die Anlage auf Dichtheit geprüft werden. Vor dem Verlassen des Ortes muss ein anschließender Lecktest durchgeführt werden.

9. Außerbetriebnahme

Vor diesen Arbeiten ist es unerlässlich, dass sich der Techniker mit der Anlage und allen zugehörigen Details auskennt. Es gilt als gute Vorgehensweise, sämtliches Kältemittel sicher aufzufangen. Vor Ausführung der Arbeiten muss eine Öl- und Kältemittelprobe genommen werden, falls vor der Wiederverwertung des Kältemittels eine Analyse durchgeführt werden muss. Bevor die Arbeit aufgenommen wird, muss unbedingt elektrischer Strom vorhanden sein.

- a) Die Anlage und ihre Funktionsweise müssen bekannt sein.
- b) Anlage elektrisch trennen.
- c) Vor den Arbeiten folgende Punkte sicher stellen:
 - Mechanische Transportanlage steht zur Verfügung, sofern diese für den Umgang mit den Kältemittelbehältern notwendig werden;
 - Die gesamte persönliche Schutzausrüstung steht zur Verfügung und wird korrekt eingesetzt;
 - Die Rückgewinnung wird von einer fachkundigen Person stets überwacht;
 - Die Anlagen und Behälter für die Rückgewinnung entsprechen den jeweiligen Standards.
- d) Falls möglich, die Kältemittelanlage entlüften.
- e) Sollte der Unterdruck nicht möglich sein, einen Verteiler vorsehen, damit das Kältemittel an verschiedenen Stellen der Anlage entnommen werden kann.
- f) Daran denken, den Behälter auf eine Waage zu stellen, bevor die Rückgewinnung stattfindet.
- g) Die Rückgewinnungsanlage starten und nach Anweisungen des Herstellers einsetzen.
- h) Die Behälter nicht überfüllen. (Nicht mehr als 80 % des flüssigen Füllvolumens).
- i) Den maximalen Betriebsdruck des Behälters nicht überschreiten, auch nicht vorübergehend.
- j) Wenn die Behälter korrekt befüllt wurden und der Vorgang abgeschlossen ist, müssen die Behälter und die Anlage möglichst bald vom Standort entfernt werden. Alle Absperrventile an der Anlage müssen verriegelt sein.
- k) Das aufgefangene Kältemittel darf nicht in eine andere Kälteanlage gefüllt werden, es sei denn, diese wurde gereinigt und überprüft.

10. Kennzeichnung

An der Anlage muss eine Kennzeichnung angebracht werden, die auf die Außerbetriebnahme und Entleerung des Kältemittels hinweist. Die Kennzeichnung muss datiert und unterzeichnet werden. Darauf achten, dass Schilder an der Anlage auf das enthaltene zündfähige Kältemittel aufmerksam machen.

11. Wiederverwertung

Beim Entfernen von Kältemittel aus einer Anlage zwecks Wartung oder Außerbetriebnahme wird es als gute praktische Vorgehensweise empfohlen, sämtliches Kältemittel sicher zu entfernen. Beim Umfüllen von Kältemittel in Behälter ist sicher zu stellen, dass nur für die Wiederverwertung geeignete Behälter eingesetzt

werden. Dafür sorgen, dass genügend Behälter zur Aufnahme der gesamten Anlagenbefüllung zur Verfügung stehen. Alle zu benutzenden Behälter sind für das wiederverwendete Kältemittel gekennzeichnet und beschriftet (z. B. Spezialbehälter für Kältemittelverwertung). Die Behälter müssen mit Überdruckventilen und geeigneten Absperrventilen in gutem Betriebszustand ausgestattet sein. Leere Wiederverwertungsbehälter werden entfernt und, sofern möglich, gekühlt, bevor die Wiederverwertung stattfindet. Die Wiederverwertungsanlage muss sich in einem guten Betriebszustand befinden. Die vollständigen Unterlagen zu der Anlage müssen griffbereit sein und die Anlage muss für die Wiederverwertung zündfähiger Kältemittel geeignet sein. Außerdem müssen mehrere Waagen zur Verfügung stehen und in gutem Zustand sein. Schläuche müssen vollständig mit dichten Kupplungsstücken zur Verfügung stehen und in gutem Zustand sein. Vor der Benutzung der Wiederverwertungsanlage kontrollieren, ob sich diese in gutem Betriebszustand befindet, ordnungsgemäß instandgehalten wurde und ob alle zugehörigen elektrischen Komponenten versiegelt sind, um einen Zündvorgang zu verhindern, falls Kältemittel austritt. Im Zweifelsfall den Hersteller kontaktieren. Das abgefüllte Kältemittel muss im richtigen Auffangbehälter an den Kältemittel-Lieferanten zurückgeliefert werden. Dazu muss ein entsprechendes Altlasten-Transportavis ausgestellt sein. Kältemittel in Auffangbehältern und besonders in Fässern nicht vertauschen. Falls Kompressoren oder Kompressoröle entfernt werden müssen, ist dafür zu sorgen, dass diese bis zu einem geeigneten Maß aus der Anlage entfernt wurden, um sicher zu stellen, dass kein zündfähiges Kältemittel beim Schmierstoff verbleibt. Die Beseitigung muss ausgeführt werden, bevor der Kompressor an den Lieferanten zurückgesendet wird. Nur eine Elektroheizung am Kompressorgehäuse darf eingesetzt werden, um diesen Vorgang zu beschleunigen. Wenn Öl aus der Anlage abgelassen wird, muss dies sicher durchgeführt werden.

Fachkenntnisse des Wartungspersonals

Allgemeines

Eine besondere Schulung ist neben der üblichen Einweisung in die herkömmlichen Reparaturschritte für Kälteanlagen erforderlich, wenn es sich um Anlagen mit zündfähigen Kältemitteln handelt.

In vielen Ländern wird diese Schulung von nationalen Fortbildungsinstituten durchgeführt, die für die Unterweisung nach den einschlägigen nationalen und vom Gesetzgeber vorgeschriebenen Fachstandards akkreditiert sind.

Die erlangte Fachkompetenz muss durch ein Zertifikat nachgewiesen sein.

Schulung

Zum Schulungsumfang sollten folgende Themen gehören:

Informationen über das Explosionspotenzial zündfähiger Kältemittel, um deutlich zu machen, dass zündfähige Stoffe bei unachtsamer Handhabung gefährlich werden können.

Informationen über potenzielle Zündquellen, insbesondere solche, die nicht offensichtlich sind wie etwa Anzünder, Lichtschalter, Staubsauger, Elektroheizungen.

Informationen über die verschiedenen Sicherheitskonzepte:

Unbelüftet – Die Sicherheit einer Anlage hängt nicht von der Belüftung des Gehäuses ab. Das Abschalten des Geräts oder das Öffnen des Gehäuses beeinträchtigt die Sicherheit nicht erheblich. Es ist dennoch möglich, dass sich ausgetretenes Kältemittel im Gehäuse abgesetzt hat und dass beim Öffnen des Gehäuses eine zündfähige Atmosphäre freigesetzt wird.

Belüftetes Gehäuse – Die Sicherheit der Anlage hängt von der Belüftung des Gehäuses ab. Das Abschalten des Geräts oder das Öffnen des Gehäuses beeinträchtigt die Sicherheit erheblich. Auf eine ausreichende Belüftung sollte zuvor besonders geachtet werden.

Belüfteter Raum – Die Sicherheit der Anlage hängt von der Raumbelüftung ab. Das Abschalten des Geräts oder das Öffnen des Gehäuses beeinträchtigt die Sicherheit nicht erheblich. Die Belüftung des Raums darf während der Reparaturarbeiten nicht abgeschaltet werden.

Informationen über das Konzept versiegelter Komponenten und Gehäuse gemäß IEC 60079-15:2010.

Informationen über die richtigen Arbeitsmethoden:

a) Inbetriebnahme

- Sicher stellen, dass der Werkstattbereich für die Kältemittelfüllung ausreicht oder dass die Belüftungsleitung korrekt montiert wurde.
- Die Leitungen anschließen und einen Lecktest durchführen, bevor das Kältemittel eingefüllt wird.
- Vor der Inbetriebnahme die Sicherheitsausrüstung prüfen.

b) Wartung

- Tragbare Geräte müssen im Freien oder in einer Werkstatt repariert werden, die für die Reparatur von Anlagen mit zündfähigen Kältemitteln besonders ausgestattet ist.
- Am Ort der Reparatur auf eine ausreichende Belüftung achten.
- Daran denken, dass eine Störung der Anlage durch Kältemittelverlust verursacht sein kann und dass ein Kältemittelleck möglich ist.
- Kondensatoren so entladen, dass sie keine Funken erzeugen. Bei der Standardmethode für das Entladen an den Kondensatoranschlüssen entstehen in der Regel Funken.
- Versiegelte Gehäuse müssen präzise wieder zusammengebaut werden. Verschlossene Dichtungen austauschen.
- Vor der Inbetriebnahme die Sicherheitsausrüstung prüfen.

c) Reparatur

- Tragbare Geräte müssen im Freien oder in einer Werkstatt repariert werden, die für die Reparatur von Anlagen mit zündfähigen Kältemitteln besonders ausgestattet ist.
- Am Ort der Reparatur auf eine ausreichende Belüftung achten.
- Daran denken, dass eine Störung der Anlage durch Kältemittelverlust verursacht sein kann und dass ein Kältemittelleck möglich ist.
- Kondensatoren so entladen, dass sie keine Funken erzeugen.
- Falls Hartlöten notwendig ist, müssen die folgenden Arbeitsschritte in der richtigen Reihenfolge ausgeführt werden:
 - Kältemittel entfernen. Falls eine Wiederverwertung nicht gesetzlich vorgeschrieben ist, das Kältemittel ins Freie ablassen. Dafür sorgen, dass das abgelassene Kältemittel keine Gefahren verursacht. Im Zweifelsfall sollte eine Person den Auslauf überwachen. Besonders darauf achten, dass abgelassenes Kältemittel nicht wieder in das Gebäude zurückströmt.
 - Den Kältemittelkreislauf entleeren.
 - Den Kältemittelkreislauf 5 Minuten lang mit Stickstoff spülen.
 - Danach erneut entleeren.
 - Auszutauschende Teile ausschneiden, ohne Flamme.
 - Die Hartlötstelle während des Lötvorgangs mit Stickstoff spülen.
 - Vor dem Einfüllen des Kältemittels einen Lecktest durchführen.
- Versiegelte Gehäuse müssen präzise wieder zusammengebaut werden. Verschlossene Dichtungen austauschen.
- Vor der Inbetriebnahme die Sicherheitsausrüstung prüfen.

d) Außerbetriebnahme

- Wenn die Sicherheit bei der Außerbetriebnahme der Anlage beeinträchtigt ist, muss die Kältemittelfüllung vor der Außerbetriebnahme entfernt werden.
- Für ausreichende Belüftung am Anlagenstandort sorgen.
- Daran denken, dass eine Störung der Anlage durch Kältemittelverlust verursacht sein kann und dass ein Kältemittelleck möglich ist.
- Kondensatoren so entladen, dass sie keine Funken erzeugen.
- Kältemittel entfernen. Falls eine Wiederverwertung nicht gesetzlich vorgeschrieben ist, das Kältemittel ins Freie ablassen. Dafür sorgen, dass das abgelassene Kältemittel keine Gefahren verursacht. Im Zweifelsfall sollte eine Person den Auslauf überwachen. Besonders darauf achten, dass abgelassenes

Kältemittel nicht wieder in das Gebäude zurückströmt.

- Den Kältemittelkreislauf entleeren.
- Den Kältemittelkreislauf 5 Minuten lang mit Stickstoff spülen.
- Danach erneut entleeren.
- Bis zum Atmosphärendruck mit Stickstoff befüllen.
- An der Anlage ein Schild anbringen, das auf das entfernte Kältemittel hinweist.

e) Entsorgung

- Am Arbeitsort auf eine ausreichende Belüftung achten.
- Kältemittel entfernen. Falls eine Wiederverwertung nicht gesetzlich vorgeschrieben ist, das Kältemittel ins Freie ablassen. Dafür sorgen, dass das abgelassene Kältemittel keine Gefahren verursacht. Im Zweifelsfall sollte eine Person den Auslauf überwachen. Besonders darauf achten, dass abgelassenes Kältemittel nicht wieder in das Gebäude zurückströmt.
- Den Kältemittelkreislauf entleeren.
- Den Kältemittelkreislauf 5 Minuten lang mit Stickstoff spülen.
- Danach erneut entleeren.
- Den Kompressor herausschneiden und das Öl ablassen.

Transport, Kennzeichnung und Aufbewahrung von Anlagen, die zündfähige Kältemittel verwenden

Transport von Anlagen, die zündfähiges Kältemittel enthalten

Es wird darauf aufmerksam gemacht, dass zusätzliche Transportvorschriften für Anlagen mit zündfähigen Gasen vorhanden sein können. Die Höchstanzahl an Anlagenteilen oder die Konfiguration der Anlage, die zusammen transportiert werden dürfen, wird von den jeweils geltenden Transportvorschriften bestimmt.

Kennzeichnung der Anlage mittels Schildern

Schilder für ähnliche Anlagen, die generell in einem Arbeitsbereich eingesetzt werden, werden von örtlichen Vorschriften geregelt und legen die Mindestanforderungen an die Sicherheit und/oder an das Vorsehen von Warnschildern an einem Arbeitsort fest.

Alle vorgeschriebenen Schilder müssen instandgehalten werden. Arbeitgeber müssen dafür sorgen, dass die Mitarbeiter geeignete und ausreichende Anweisungen und Unterweisungen über die Bedeutung der jeweiligen Sicherheitsschilder und über die Maßnahmen erhalten, die in Verbindung mit diesen Schildern zu ergreifen sind.

Die Wirkung der Schilder darf nicht durch ein Übermaß an Beschilderungen beeinträchtigt werden, die gemeinsam verwendet werden.

Alle verwendeten Piktogramme sollten so einfach wie möglich gehalten werden nur die wichtigsten Angaben enthalten.

Entsorgung von Anlagen mit zündfähigen Kältemitteln

Dazu wird auf die nationalen Vorschriften verwiesen.

Aufbewahrung von Anlagen/Geräten

Die Anlagen sollten den Herstelleranweisungen entsprechend aufbewahrt werden.

Aufbewahrung verpackter (nicht verkaufter) Anlagen

Der Schutz für verpackte Ware beim Einlagern sollte so konstruiert sein, dass mechanische Schäden an der Anlage in der Verpackung nicht zu einem Austreten von Kältemittel führen.

Die Höchstanzahl der Anlagen, die zusammen eingelagert werden dürfen, ist in den örtlichen Vorschriften vorgeschrieben.

Tack för att du har valt en av våra produkter. Läs igenom instruktionerna noga innan du använder produkten, så att du använder den på rätt sätt.

VIKTIGA INSTRUKTIONER

När du använder elektriska produkter bör du alltid vidta försiktighetsåtgärder för att minska risken för brand, elstötar, brännskador och andra skador.

1. Läs igenom och spara dessa instruktioner. Obs! Bilderna häri är endast för referens.
2. Denna apparat får användas av barn från 8 års ålder, personer med nedsatt fysisk, sensorisk eller mental förmåga eller personer med brist på erfarenhet och kunskap om de övervakas eller fått instruktioner angående användningen av apparaten på ett säkert sätt och förstår riskerna.
3. Barn får inte leka med apparaten.
4. Rengöring och underhåll av apparaten får inte göras av barn utan vuxens tillsyn.
5. Om sladden är skadad måste den bytas ut av tillverkaren, en av tillverkaren godkänd reparatör eller liknande kvalificerad person för att undvika faror.
6. Använd produkten endast inomhus.
7. Använd inte enheten i områden där: den är nära brandkällor, där olja kan skvätta, den utsätts för direkt solljus, där vatten kan skvätta, i en tvättstuga, dusch eller nära en simbassäng.
8. För aldrig in fingrar, pinnar i luftutloppet. Var särskilt noga med att informera barn om dessa faror.
9. Håll enheten upprätt under transport och förvaring så att kompressorn är korrekt inriktad.
10. Stäng alltid av och dra koppla ur strömförsörjningen innan du sätter ihop, rengör eller flyttar enheten.

11. För att undvika brandfara skall aldrig apparaten täckas över.
12. Alla kontakter till luftkonditioneringen måste uppfylla lokala elektriska säkerhetskrav. Om så behövs, kontrollera om det uppfyller kraven.
13. Apparaten skall installeras i enlighet med nationella elinstallationsbestämmelser.
14. Detaljer om typ är märkning av säkringar: T, 250V AC, 3,15A.
15. Kontakta en auktoriserad servicetekniker för reparation eller underhåll av denna enhet.
16. Dra inte i, deformera eller modifiera strömssladden eller sänk ner den i vatten. Att dra i eller missbruka strömssladden kan resultera i skador på enheten och orsaka elektriska stötar.
17. Uppfyllelse av nationella gasbestämmelser skall iakttas.
18. Service skall endast utföras såsom rekommenderas av utrustningens tillverkare. Underhåll och reparation som kräver assistans av annan kunnig personal skall utföras under översikt av personen som är kompetent för användning av brandfarliga kylmedel.
19. Använd inte eller stoppa enheten genom att sätta i eller dra ut elkontakten, det kan orsaka elstötar eller brand på grund av generering av hetta.
20. Koppla ifrån enheten om det avger konstiga ljud, lukt eller rök kommer från den.
21. Anslut alltid enheten till ett jordat uttag.
22. Vid skada, stäng av omkopplaren, koppla ifrån strömförsörjningen och kontakta ett auktoriserat servicecenter för reparation.
23. Snabba inte på avfrostningen med några hjälpmedel eller för rengöring andra än de processer som rekommenderas av tillverkaren.
24. Apparaten skall förvaras i ett rum utan kontinuerligt arbetande gnistkällor (exempelvis öppna lågor, en arbetande elektrisk värmeapparat).
25. Stick inte hål eller bränn.

26. Var medveten om att kylmedel kanske inte innehåller någon lukt.
27. Denna apparat innehåller R290 kylmedelsgas. R290 är en kylmedelsgas som uppfyller de europeiska direktiven för miljön. Punktera inte någon del av kylmedelskretsen.
28. Om apparaten har installerats, används eller förvaras i ett oventilerat rum måste rummet vara designat för att förhindra ackumulering av läckande kylmedel vilket resulterar en brandrisk eller explosion på grund av antändning av kylmedlet vilket orsakas av elektriska värmare, spisar eller andra källor för antändning.
29. Apparaten måste förvaras på ett sätt så att mekaniska fel förhindras.
30. Personer som hanterar eller arbetar med kylkretsen måste ha lämplig certifiering utgiven av en ackrediterad organisation som garanterar kompetensen för hantering av kylmedel i enlighet med en specifik utvärdering som erkänns i samarbete med industrin.
31. Reparationer måste utföras baserat på rekommendationerna från det tillverkande företaget. Underhåll och reparationer som kräver assistans av annan kvalificerad person måste utföras under övervakning av en person som specificerats i användning av brandfarliga kylmedel.
32. Beträffande instruktioner för reparation av apparater som innehåller R290, se nedanstående stycken.
33. Låt alltid apparaten vila minst 2 timmar efter att den flyttas från en plats till en annan.



Varning: Risk för brand/Brandfarligt material.



Läs igenom bruksanvisningarna.



Bruksanvisning; driftinstruktioner.



Serviceindikator, läs tekniska manualen.

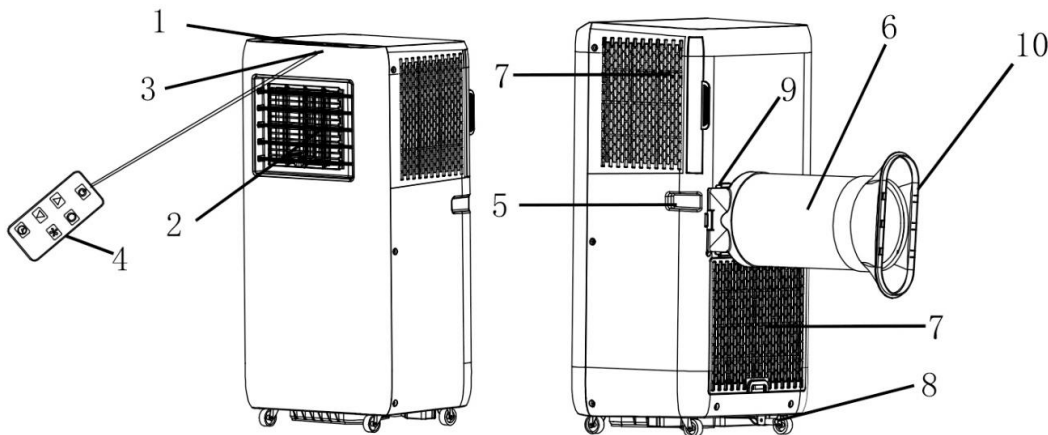
Varning: Håll ventilationsöppningarna fria från tilltäppning.

Varning: Apparaten skall förvaras i väl ventilerade områden där rumsstorleken motsvarar rumsarean som specificerats för drift.

Avståndet som krävs runt enheten skall vara minst 30 cm.

Apparaten skall installeras, hanteras och förvaras i ett rum med en golvyta som är större än 4 m².

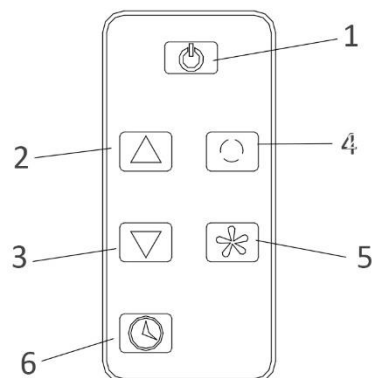
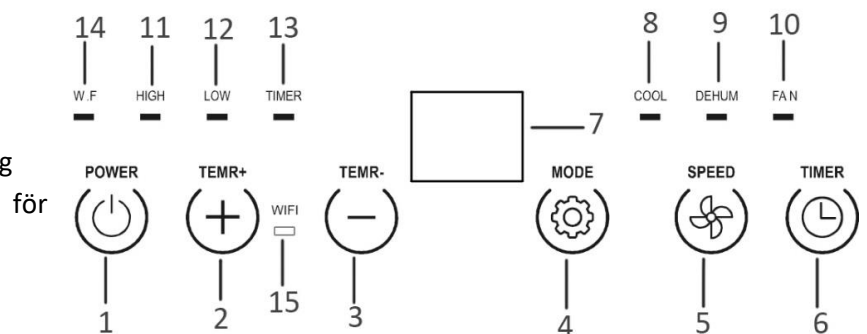
BESKRIVNING AV DELAR



1. Kontrollpanel
2. Luftutblås och ventilationsgaller
3. Signalreceptor
4. Fjärrkontroll
5. Handtag
6. Utblås slang luft
7. Luftinlopp och luftfilter
8. Tömningsport (isatt med ett stopp)
9. Slanganslutning
10. Fönsteradapter

Kontrollpanel

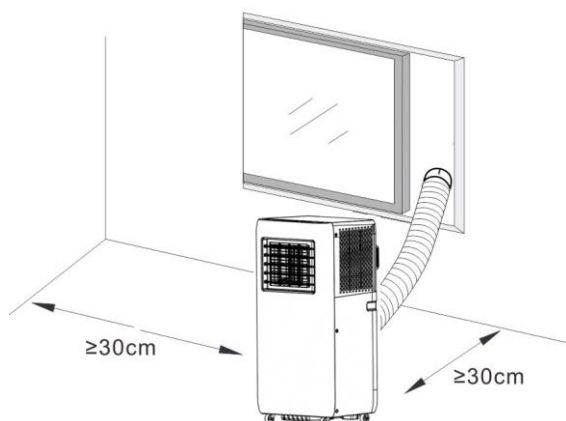
1. Strömknapp
2. Temperatur-/timerknapp för ökning
3. Temperatur-/timerknapp minskning
4. Lägesknapp
5. Hastighetsknapp för fläkt
6. Timer-knapp
7. Digital skärm
8. Indikatorlampa kallt läge
9. Indikatorlampa för avfuktningläge
10. Indikatorlampa fläktläge
11. Indikatorlampan för hög fläkthastighet
12. Indikatorlampan för låg fläkthastighet
13. Indikatorlampan timer
14. Indikatorlampa vattentank full
15. Indikatorlampan Wi-Fi



Denna enhet har en fjärrkontroll. Ett batteri av modell CR2025 används till fjärrkontrollen. Innan fjärrkontrollen börjar användas, ta bort plastskyddet från batteriet. Om du vill byta batterierna, se instruktionerna på baksidan av fjärrkontrollen. Om den inte skall användas under en längre period, ta ut batteriet från fjärrkontrollen. Håll knappcells batterier utom räckhåll för små barn.

INSTALLATION

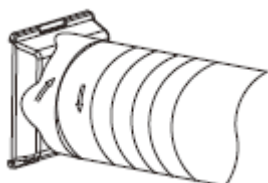
- Enheten skall installeras på en plan yta där luftutblåset inte kommer att blockeras. Avståndet som krävs runt enheten skall vara minst 30 cm.



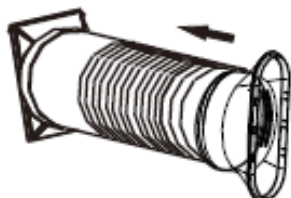
- Enheten ska inte installeras i en tvättstuga.
- Förläng luftutblåsslängen genom att dra ut den två ändarna på slangen.



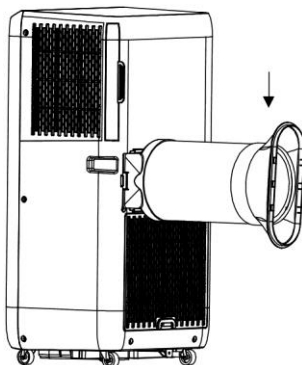
- Skruva in luftutblåsslängen i slanganslutningen.



- Skruva fast den andra änden av luftutblåsslängen i fönsteradaptern.



- Sätt in slanganslutningen i konsolen på baksidan av enheten.



ANVÄNDNING

*Låt alltid apparaten vila minst 2 timmar efter att den flyttas från en plats till en annan.

Innan användning, kontrollera att utblåsslängen har monterats korrekt. Anslut apparaten till eluttaget. Gallren kan justeras manuellt.

1. Strömbrytare

Tryck på strömbrytaren för att slå på apparaten. Apparaten börjar arbeta.

Tryck på knappen igen, apparaten kommer nu att stängas av.

2. Temperatur-/timerknapp för ökning och temperatur-/timerknapp för minskning

Tryck på knappen "+"/"-" på kontrollpanelen eller "▲"/"▼" på fjärrkontrollen för att ställa in önskad rumstemperatur från 15 °C till 31 °C. Knapparna kan också användas för inställning av timer under timerinställning. Värdet kommer att öka/minska med by 1 (°C /timme) för varje tryckning.

3. Hastighetsknapp för fläkt

Tryck på fläkthastighetsknappen för att välja mellan låg och hög fläkthastighet. Motsvarande indikatorlampa "LOW"/"HIGH" kommer att lysa.

4. Lägesknapp

Tryck på knappen "mode" för att välja önskat arbetsläge mellan kylning, avfuktning och fläkt. Motsvarande indikatorlampa kommer att lysa när det specifika läget valts.

- Kylläge

När rumstemperaturen är högre än inställd temperatur kommer kompressorn att starta.

När rumstemperaturen är lägre än inställd temperatur stoppar kompressorn och fläkten arbetar med ursprunglig inställd hastighet.

Notera: När kompressorn arbetar kommer enheten att vibrera något. Detta är normalt och är ofarligt.

- Avfuktningsläge

Vid avfuktningsläge körs fläkten med låg hastighet. Fläkthastigheten och temperaturen kan inte justeras.

Kompressorn stoppas efter 8 minuters körtid och körs igen efter 6 minuter och repetera på detta sätt.

- Fläktläge

När fläkten körs på inställd hastighet körs inte kompressorn.

Inställning av temperaturen i fläktläge går inte.

5. Timer-knapp

Inställning automatisk påslagning

- När apparaten är avstängd, tryck på timerknappen, timerindikatorlampan kommer att blinka.
- Tryck på knappen för att öka eller minska för att välja en önskad automatisk påslagningstid från 1 till 24 timmar. Timerns indikatorlampa kommer att blinka i flera sekunder och sedan lysa med fast sken, den digitala displayen kommer att vara avstängd. Timerinställningen är bekräftad.
- Du kan välja fläkthastighet eller -läge samtidigt.
- Apparaten kommer att slås på automatiskt när den valda tiden har passerats.

Inställning automatisk avstängning

- När apparaten är påslagen, tryck på timerknappen, timerindikatorlampan kommer att blinka.
- Tryck på knappen för att öka eller minska för att välja en önskad automatisk avstängningstid från 1 till 24 timmar. Timerns indikatorlampa kommer att blinka i flera sekunder och sedan lysa med fast sken. Timerinställningen är bekräftad.
- Apparaten kommer att stängas av automatiskt den valda tiden har passerats.

För att avbryta timern, tryck på timerknappen, när timerindikatorlampan blinkar, tryck på timerknappen igen. Timerindikatorlampan kommer att slockna.

NOTERA:

- Skyddsensheten kan lösas ut och stoppa apparaten under de förhållanden som listas nedan.

Kylning	Rumstemperaturen är över 43 °C.
	Rumstemperaturen är under 15 °C.
Avfuktning	Rumstemperaturen är under 15 °C.

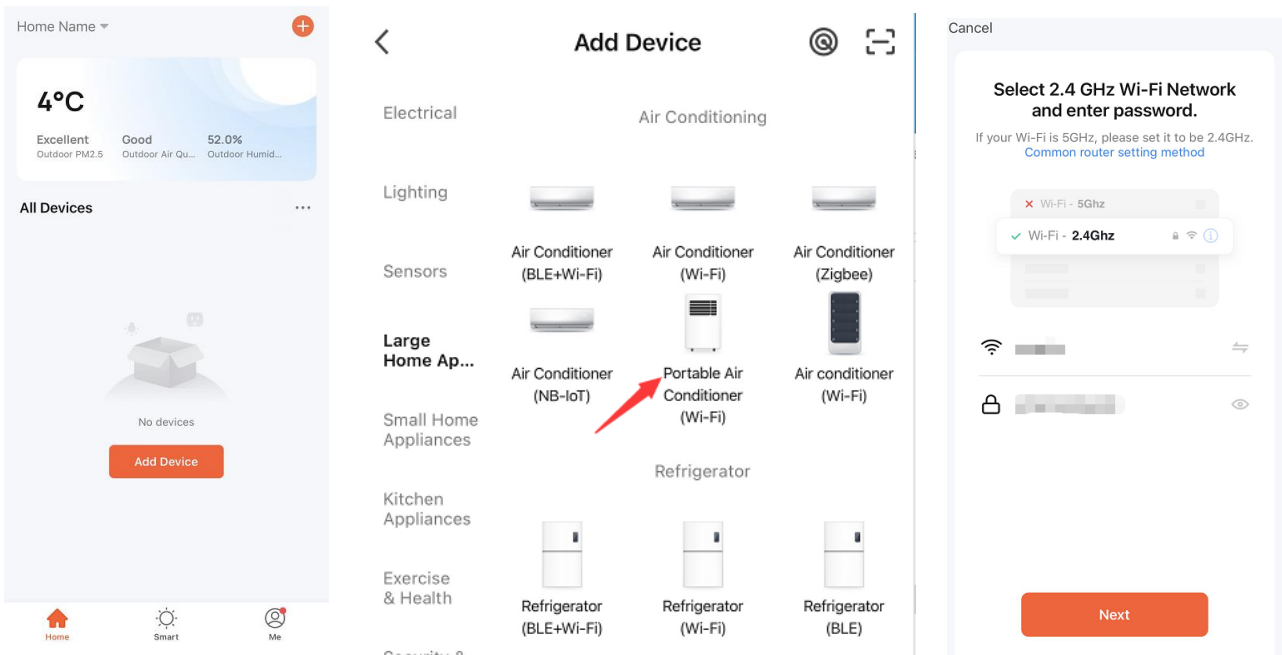
- Om apparaten körs i kyläge eller avfuktningläge med dörren eller fönstret öppet under lång tid när den relativa luftfuktigheten är över 80 %, kan fukt droppa ned från luftutloppet.

Tömma vatten

- 1) Särskild påminnelse: Det finns kondensvattenåtervinning dold i denna apparat. Kondensvattnet återvinns delvis mellan kondensorn och vattenbrickan. När vattennivån når upptill den övre nivån kommer koden vatten fullt "E4" att visas på den digitala displayen för att påminna om att tömma ut vattnet.
- 2) Stäng av strömförsörjningen, flytta apparaten till en lämplig plats, dra ut stoppet in tömningsporten och töm ut allt vatten. Om förhållandena så tillåter kan du också ansluta tömningslagen till tömningsporten för vattentömningen.
- 3) Efter tömningen, sätt tillbaka stoppet i tömningsporten, i annat fall kan apparaten läcka ut i rummet.

WiFi-anslutningsguide (Guiden för APP kanske inte uppdateras regelbundet på grund av uppgradering av programvaruversioner eller andra orsaker. Denna instruktion används endast som en guide.):

1. Sök efter "Tuya Smart" i App Store (för iOS) eller Google Play (för Android), ladda ned applikationen "Tuya Smart" till telefonen. Anslut till eller logga in till ditt konto på Tuya.
2. Se till att apparaten är i standby-läge. Tryck länge på lägesknappen tills ett pip ljud hörs. WIFI-indikatorlampan blinkar snabbt.
3. Tryck på "+" längst upp till höger eller knappen "Lägg till enhet" på Tuyas startsida för att lägga till din apparat.
4. Hitta kategorin "Portable Air Conditioner". Tryck på ikonen och du får uppmaningen som frågar om du vill använda 2.4GHz Wi-Fi nätverket. Notera att 5 GHz Wi-Fi inte stöds av denna applikation.
5. Ange ditt Wi-Fi lösenord och anslut till Wi-Fi. Bekräfta att indikatorn blinkar snabbt, tryck på "Nästa", applikationen kommer att söka efter och lägga till apparaten.



6. När apparaten har lagts till lyser WIFI-indikatorlampan fortfarande.
7. Nu kan du använda appen för att använda apparaten.

Notera:

- Tryck på lägesknappen i appen, du kommer att ha "Cool, Dry and Fläkt". Torrt läge är detsamma som avfuktningläge.
- Tryck på temperaturdisplayen för att växla mellan Fahrenheit och Celsius.
- När nätverksmiljön för apparaten har ändrats behöver den konfigureras om.
- Du kan slå på/stänga av Wi-Fi-funktionen genom lång tryckning på lägesknappen på kontrollpanelen när

apparaten är i standby-läge. När WIFI-indikatorlampan blinkar snabbt väntar apparaten på att bli parkopplad. När WIFI-indikatorlampan fortfarande lyser har Wi-Fi anslutits. När WIFI-indikatorlampan släcks har WIFI stängts av.

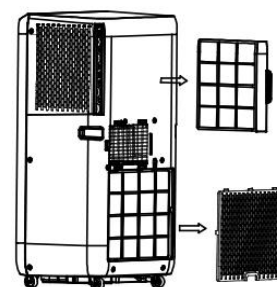
RENGÖRING OCH UNDERHÅLL

- Innan rengöring, se till att koppla ifrån apparaten från alla elektriska anslutningar.
- Använd inte bensin eller andra kemikalier för att rengöra apparaten.
- Spola inte direkt på apparaten.
- Om apparaten är skadad, kontakta återförsäljaren eller en reparationsverkstad.

Luftfilter

Om luftfiltret blir igensatt med damm/smutsdamm, rengör det då varannan vecka.

- Dra ut luftfiltret genom att dra i fliken.
- Rengör luftfiltret med ett neutralt rengöringsmedel i ljummet vatten (< 40 °C) och låt det torka
- Sätt tillbaka luftfiltret.



Rengöra ytan

Rengör först ytan med ett neutralt rengöringsmedel och våt trasa. Torka sedan av den med en torr trasa.

FELSÖKNING

Följande fall kanske inte alltid är ett funktionsfel, se förslagen nedan innan du ber om service.

Problem	Analys
Kör inte	<ul style="list-style-type: none"> • Om skyddsremsan eller säkringen löst ut. • Vänta i 3 minuter och börja om igen, skyddsenheten kan förhindra att enheten fungerar. • Om batterierna i fjärrkontrollen är uttömda. • Om kontakten inte är ordentligt inkopplad.
Körs bara en kort stund	<ul style="list-style-type: none"> • Om den inställda temperaturen ligger nära rumstemperatur kan du sänka den inställda temperaturen. • Luftuttaget är blockerat. Ta bort blockeringen.
Vattenläcka under förflyttning	<ul style="list-style-type: none"> • Töm kondensvattnet innan du flyttar. • För att undvika vattenläckage, placera enheten på plant underlag.
Kör inte och indikatorn för fullt med vatten "E4" visas	<ul style="list-style-type: none"> • Dra ut gummiproppen för att tömma ut vattnet. • Om det sker ofta är i denna status, kontakta kvalificerad servicetekniker.
Apparaten stannar automatiskt	<ul style="list-style-type: none"> • Tidsinställningen avstängd • Ställ in temperatur uppnådd

TEKNISKA DATA

Nedanstående data för driftreferens

Modell	PAC-127277
Märkspänning	220-240V
Märkfrekvens	50Hz
Märkeffekt	750W
Märkström	3.4A
Kylkapacitet	7000BTU
Fukt borttagning (L/H)	0.8
Luftflöde	270m ³ /h
Max. sändningseffekt	17,5 dBm
Frekvensområde	2412-2472MHz

Vi, Emerio, deklarerar under eget ansvar att produkten: PAC-127277 uppfyller väsentliga krav och andra relevanta krav i RED direktivet (2014/53/EU)

Den kompletta CE-deklarationen finns tillgänglig på följande adress: www.emerio.eu

ERP-INFORMATION

	Värde
Varumärke	Emerio
Modellidentifikation	PAC-127277
Ljudeffekt (kylning)	64dB(A)
Namn på kylmedel	R290
Märkeffekt inmatning för kylning (kW)	0.755
Märkenergi effektivförhållande	2.7
GWP (kgCO ₂ eq)	3
Märkenergi effektivklass	A
Energiförbrukning för apparater med dubbla rör (kWh/h)	-
Energiförbrukning för apparater med enkelrör (kWh/h)	0.755
Energiförbrukning i termostat vi avstängt läge (W)	-
Energiförbrukning i standby-läge (W)	0.85
Kylkapacitet	7000BTU
<p>Kylmedelsläckage bidrar till klimatförändringar. Kylmedel med lägre global uppvärmningspotential (global warming potential/GWP) kan bidra till mindre global uppvärmning är ett kylmedel med högre GWP, om den läcker ut i atmosfären. Denna apparat innehåller en kylmedelsvätska med ett GWP likvärdig med 3. Det betyder att om 1 kg av denna kylmedelsvätska läcker ut i atmosfären kommer påverkan för den globala uppvärmningen att vara 3 gånger högre än 1 kg CO₂ över en period på 100 år. Försök aldrig att själv försöka att påverka kylmedelskretsen eller demontera själva produkten utan fråga alltid en expert.</p> <p>#Energiförbrukning 0.755 kWh för modell PAC-127277 vid 60 minuters användning under standardförhållanden. Den verkliga energiförbrukning beror på hur enheten används och var den är placerad.</p> <p>För ytterligare information, kontakta: Emerio International AB Smedjegatan 6 131 54 Nacka Sweden</p>	

GARANTI OCH KUNDTJÄNST

Innan leverans genomgår våra apparater en sträng kvalitetskontroll. Om det trots detta skulle uppstå någon skada på produktionen eller vid transporten, ber vi dig att ta med apparaten tillbaka till inköpsstället. Förutom de i lag fastställda garantianspråken har köparen möjlighet att göra gällande följande anspråk på garanti:

För den köpta apparaten ges 2 års garanti, med början på inköpsdagen.

Brister som uppstår genom felaktig hantering av apparaten och fel som uppstår genom ingrepp och reparationer av tredje man eller montering av främmande delar, omfattas ej av vår garanti. Behåll alltid ditt kvitto då det är din garanti vid eventuell reklamation. Skador som uppstår p.g.a. att instruktionsmanualen inte följs ogiltigförklarar garantin och om detta leder till påföljande skador så kan inte vi hållas ansvariga. Vi kan inte hållas ansvariga för materiella skador eller personskador som orsakas av felaktig användning eller om inte säkerhetsföreskrifterna följs. Skador på tillbehören innebär inte per automatik ersättning av hela apparaten. I

sådana fall ska du kontakta vår kundservice. Trasigt glas och trasiga plastdelar innebär alltid en kostnad. Defekter på förbrukningsartiklar eller sliddelar och även skador orsakade av rengöring, underhåll eller byte av tidigare nämnda delar täcks inte av garantin och ska således betalas av ägaren.

MILJÖVÄNLIG KASSERING



Återvinning – EU-direktiv 2012/19/EU

Denna markering indikerar att produkten inte får kastas tillsammans med övrigt hushållsavfall. För att förhindra eventuell skada på miljön eller människors hälsa på grund av okontrollerad avfallshantering, återvinns de på ett ansvarsfullt sätt som främjar en hållbar återanvändning av materiella resurser. För att återlämna den använda enheten, använd retur- och insamlingsystem eller kontakta återförsäljaren där produkten var köpt. De kan ta denna produkt för miljösäker återvinning.



BATTERIET MÅSTE ÅTERVINNAS ELLER KASSERAS PÅ ETT KORREKT SÄTT. FÅR INTE ÖPPNAS. FÅR INTE KASSERAS I ÖPPEN ELD ELLER KORTSLUTAS.

INSTRUKTIONER FÖR REPARATION AV APPARATER SOM INNEHÅLLER R290

1. Service

1) Kontroller för området

Innan arbete påbörjas på system som innehåller antändbara kylmedel är det nödvändigt med säkerhetskontroller för att garantera att risken för antändning är minimerad. För reparationer av kylsystem skall följande säkerhetsåtgärder uppfyllas innan arbete påbörjas på systemet.

2) Arbetsprocedur

Arbete skall under en kontrollerad procedur frö att minimera risken att brännbara gaser eller ånga finns närvarande när arbetet påbörjas.

3) Allmänt arbetsområde

All underhållspersonal och andra som arbetar i närheten skall instrueras om typ av arbete som skall utföras. Arbete i slutna utrymmen skall undvikas. Området runt arbetsplatsen skall spärras. Se till att det inom området har säkrats genom att kontrollera om det finns brännbara material.

4) Kontrollera om det finns kylmedel i närheten.

Området skall kontrolleras med en lämplig detektor för kylmedel innan och under arbetet för att garantera att teknikern är medveten om potentiellt brännbar atmosfär. Se till att utrustning för läckagedetektering som använd är lämplig för användning med brännbara kylmedel, d.v.s. är icke-gnistbildande, adekvat förseglade eller i sig självt är säkra.

5) Att brandsläckningsutrustning finns i närheten.

Om någon värmebearbetning skall utföras på kylutrustningen eller någon tillhörande del skall lämplig brandsläckningsutrustning finnas tillgänglig. Ha brandsläckare med torrt pulver eller kolsyra i närheten av arbetsområdet.

6) Inga antändningskällor

Inga personer som utför arbete på kylsystem som involverar exponering av rör som innehåller eller har innehållit antändbart kylmedel skall inte använda någon form av antändningskällor på ett sådant sätt att det kan leda till risk för brand eller explosion. Alla tänkbara antändningskällor, inklusive cigarettrökning, skall hållas tillräckligt långt från platsen för installationen, reparationen, borttagning och avyttring under vilka antändbart kylmedel kan komma ut i omgivningen. Innan arbete starta måste området runt utrustningen granskas för att vara säker på att det inte finns några risker för brand eller antändning. Skylten "Rökning förbjuden" skall visas.

7) Ventilerat område

Se till att området är öppet eller att det är tillräckligt ventilerat innan systemet öppnas eller heta arbeten utförs. En viss ventilation skall finnas under tiden som arbetet utförs. Ventilationen skall på ett säkert sätt ventileras bort allt frisläppt kylmedel och helst släppa ut det i atmosfären.

8) Kontroll av kylutrustningen

När elektriska komponenter byts ut skall de passa för dess syfte och har korrekt specifikation. Tillverkarens underhålls- och serviceriktlinjer skall alltid följas. Vid tveksamheter, rådfråga tillverkarens tekniska avdelning för hjälp.

Följande kontroller skall gälla för installationer med antändningsbara kylmedel:

- Laddningsstorleken är i enlighet med rumsstorleken där kylanläggningens delar är installerad;
- Ventilationsmaskineriet och utlopp fungerar korrekt och inte är hindrade;
- Om en indirekt kylkrets används skall den andra kretsen kontrolleras om den innehåller kylmedel;
- Markeringar på utrustningen skall fortsätta vara synlig och läslig. Markeringar och skyltar som är läsliga skall vara korrekta;
- Kylrör eller komponenter är installerade i en position där de inte kan utsättas för några substanser som kan fräta på kylanläggningars komponenter, såvida inte komponenterna består av material som i sig är motståndskraftiga mot frätning eller är lämpligt skyddade mot frätning.

9) Kontroll av elektriska enheter

Reparationer och underhåll av elektriska komponenter skall inkludera initial säkerhetskontroll och inspektion av komponenter. Om det finns ett fel som påverkar säkerheten skall ingen elektrisk anslutning göras till enheten innan felet hanterats på ett tillfredsställande sätt. Om felet inte kan korrigeras men det är nödvändigt att fortsätta driften skall en adekvat temporär lösning användas. Detta skall rapporteras till ägaren av utrustningen så att alla parter är informerade. Initiala säkerhetskontroller skall inkludera:

- Att kondensatorer är urladdade: detta skall göras på ett säkert sätt för att undvika eventuell gnistbildning;
- Att det inte finns några strömförande elektriska komponenter och ledningar exponerade för laddning, återvinning eller avluftning av systemet;
- Att det inte finns någon kontinuitet av jordbindning.

2. Reparation av gastäta komponenter

- 1) Under reparation av gastäta komponenter skall alla elektriska anslutningar vara frånkopplade från utrustningen som arbetas med innan några förseglade luckor tas bort etc. Om det är absolut nödvändigt att ha strömanslutning till utrustningen under servicen skall en permanent fungerar form av läckagedetektering vara placerad vid den mest kritiska punkten för att varna för en potentiellt farlig situation.
- 2) Särskild uppmärksamhet skall riktas på följande för att garantera att vid arbete med elektriska komponenter skall höljen inte ändras på ett sådant sätt att skyddsnivån påverkas. Detta skall inkludera skador på kablar, överdrivet antal anslutningar, terminaler som inte skapats enligt ursprungsspecifikationer, skador på förseglingar, felaktig fastsättning av packningsringar etc.

Se till att apparaten är monterade säkert. Se till att gastätningar eller tätningmaterial inte har slitits så att de inte längre fyller sitt syfte med att förhindra åtkomst till brännbar atmosfär. Byte av delar skall ske i enlighet med tillverkarens specifikationer.

NOTERA: Användning av silikontätningmedel kan hämma effektiviteten mot vissa typer av utrustningar för läckagedetektering. Verkligt säkra komponenter behöver inte isoleras innan arbete utförs på dem.

3. Reparation av verkligt säkra komponenter

Använd inga permanent induktiva eller kapacitansbelastningar till kretsen utan att se till att det inte överskrider tillåtna spänningen och strömmen som är tillåtet för utrustningen som används. Verkligt säkra komponenter är de endast typerna som kan arbeta på strömförande vid närvaro av antändbar atmosfär. Testapparaten skall ha korrekt märkdata. Byt endast komponenter mot delar som specificerats av tillverkaren. Andra delar kan resultera i antändning av kylmedel i atmosfären från en läcka.

4. Kablar

Kontrollera att kablarna inte utsätts för slitage, överdrivet tryck, vibrationer, vassa kanter eller andra skadliga miljöeffekter. Kontrollen skall också ta med effekterna av åldrande eller kontinuerliga vibrationer från källor såsom kompressorer eller fläktar.

5. Detektering av brandfarliga kylmedel

Under inga omständigheter skall potentiella källor för antändning användas för att söka efter eller för att detektera kylmedelsläckage. En läcksökningslampa (eller någon annan detektor som använder en öppen låga) skall inte användas.

6. Metoder för läckagedetektering

Följande metoder för läckagedetektering bedöms acceptabla för system som innehåller antändbara kylmedel. Elektroniska läckagedetektorer skall användas för att detektera antändningsbara kylmedel, men känsligheten kanske inte är adekvat eller kan behöva återkalibreras. (Detekteringsutrustning skall kalibreras i ett

kylmedelsfritt område.) Se till att detektorn inte är en potentiell källa för antändning och att den är lämplig för kylmedlet som används. Utrustning för läckagedetektering skall ställas in på ett procenttal av LFL för kylmedlet och skall kalibreras till kylmedlet som används om det ungefärliga procenttalet för gas (25 % maximalt) är bekräftat. Läckagedetektering av vätskor är lämplig att användas med de flesta kylmedel men användning av kylmedel som innehåller klor skall undvikas eftersom klor kan reagera med kylmedlet och fräta på kopparrören. Om det misstänks finnas en läcka skall alla öppna lågor tas bort/släckas. Om ett läckage av kylmedel hittas som kräver hårdlödning skall allt kylmedel tömmas från systemet eller isoleras (med hjälp av avstängningsventiler) i en del av systemet fjärran från läckaget. Syrefritt kvävgas (Oxygen free nitrogen/OFN) skall sedan rena systemet både innan och under hårdlödningsprocessen.

7. Borttagning och evakuering

När man tar sig in i kylsystemkretsen för reparation - eller för något annat syfte - skall konventionella procedurer användas. Emellertid är det viktigt att bästa praxis följs eftersom antändligheten bör beaktas. Följande procedurer skall följas:

- Ta bort kylmedel;
- Rena kretsen med inaktiv gas;
- Evakuera;
- Rengör igen med inaktiv gas;
- Öppna kretsen genom skärning eller hårdlödning.

Kylmedlet skall återvinnas i korrekta återvinningsbehållare. Systemet skall "sköljas" med OFN för att göra enheten säker. Denna process kan behöva upprepas flera gånger. Tryckluft eller syre skall inte användas för denna uppgift. Sköljning skall uppnås genom att bryta vakuumet i systemet med OFN och fortsätta att fylla på tills arbetstrycket uppnåtts, sedan ventileras ut i atmosfären och slutligen dra ned till ett vakuum. Denna process skall upprepas tills inget kylmedel finns kvar i systemet. När den slutliga OFN laddningen använd skall systemet ventileras ned till atmosfärstryck för att möjliggöra att arbetet kan ske. Detta arbete är absolut livsnödvändigt om hårdlödningsarbete ska kunna ske på rörarbetet. Se till att utloppet för vakuumpumpen inte är nära några antändningskällor och att det finns ventilation tillgänglig.

8. Laddningsprocedur

Förutom konventionella laddningsprocedurer skall följande krav följas.

- Se till att kontaminering av olika kylmedel inte uppstår när laddningsutrustningen används. Slangar och ledningar skall vara så korta som möjligt för att minimera mängden kylmedel i dessa.
- Cylindrar skall hållas upprätt.
- Se till att kylmedelssystemet är jordat innan systemet laddas med kylmedel.
- Märk systemet när laddningen är klar (om det inte redan är gjort).
- Extrem försiktighet gäller så att kylsystemet inte överfylls.

Innan laddningen av systemet skall det provtryckas med OFN. Systemet skall läckagetestas när laddningen är klar men innan driftsättning. Ett efterföljande läckagetest skall utföras innan anläggningen lämnas.

9. Stängning

Innan denna procedur utförs är det väsentligt att teknikern är fullständigt förtrogen med utrustningen och alla dess detaljer. Det rekommenderas att god praxis är att alla kylmedel återvinns på ett säkert sätt. Innan uppgiften utförs skall ett olje- och kylmedelsprov tas om en analys krävs innan det återvunna kylmedlet återanvänds. Det är väsentligt att den elektriska strömmen finns tillgänglig innan uppgiften startar.

- a) Bli förtrogen med utrustningen och dess hantering.
- b) Isolera systemet elektriskt.
- c) Innan proceduren startas, se till att:
 - Mekaniskt hanterad utrustning finns tillgänglig, om den krävs för hantering av kylmedelscylindrarna;

- All personals skyddsutrustning finns tillgänglig och används korrekt;
 - Återvinningsprocessen övervakas hela tiden av en kompetent person;
 - Återvinningsutrustning och cylindrar uppfyller lämplig standard.
- d) Pumpa ned kylsystemet om möjligt.
 - e) Om vakuum inte är möjligt, gör ett samlingsrör så att kylmedel kan tas bort från olika delar av systemet.
 - f) Se till att cylindrarna är placerad på skalan innan återvinning sker.
 - g) Starta återvinningsmaskinen och arbeta in enlighet med tillverkarens instruktioner.
 - h) Överfyll inte cylindrarna. (Inte mer än 80 % volym vätskeladdning).
 - i) Överskrid inte maximalt arbetstryck hos cylindern, inte ens temporärt.
 - j) När alla cylindrar har fyllts korrekt och processen är klar, se till att cylindrarna och utrustningen tas bort från anläggningen omedelbart och att alla isoleringsventiler är stängda.
 - k) Återvunnet kylmedel skall inte laddas i ett annat kylsystem såvida inte det har rengjort och kontrollerats.

10. Märkning

Utrustning skall märkas där det fastslås att den har avbrutits och tömts på kylmedel. Märkningen skall vara daterad och undertecknad. Se till att det finns märkning på utrustningen som fastställer att utrustningen innehåller antändbart kylmedel.

11. Återvinning

När kylmedel tas bort från ett system, antingen för service eller stängning rekommenderas god praxis att allt kylmedel tas bort på ett säkert sätt. Vid överföring av kylmedel till cylindrar, se till att endast lämpligt antal återvinningscylindrar för kylmedel används. Se till att tillräckligt antal cylindrar som klarar av att hålla hela systemets laddning finns tillgängliga. Alla cylindrar som skall användas är avsedda för det återvunna kylmedlet och märkt för det kylmedlet (d.v.s specialcylindrar för det återvunna kylmedlet). Cylindrar skall vara kompletta med tryckventiler och associerade avstängningsventiler som fungerar. Tomma återvinningscylindrar är tömda och, om möjligt, kyllda innan återvinningen sker. Återvinningsutrustningen skall fungera bra och ha en uppsättning med instruktioner beträffande utrustningen som används och skall vara lämplig för återvinning av brandfarliga kylmedel. Dessutom skall en uppsättning med vågar finnas tillgängliga och fungera. Slangar skall vara kompletta med läckagefria kopplingar och i god kondition. Innan återvinningsmaskinen används, kontrollera att den fungerar på ett tillfredsställande sätt, har underhållits korrekt och att alla associerade elektriska komponenter är förseglade för att förhindra antändning om kylmedel skulle läcka ut. Rådfråga tillverkaren vid tveksamheter. Det återvunna kylmedlet skall återlämnas till leverantören av kylmedlet i korrekt återvinningscylinder och relevant ordnad Waste Transfer Note (överföringsanteckning om avfall). Blanda inte kylmedel i återvinningsenheter och särskilt inte i cylindrar. Om kompressorer eller kompressorolja skall tas bort, se till att de har tömts till en acceptabel nivå för att vara säkra på att vissa brandfarliga kylmedel inte blir kvar i smörjmedlet. Tömningsprocessen skall utföras innan kompressorn returneras till leverantören. Endast elektrisk värme till kompressorn skall användas för att accelerera denna process. När oljan töms från ett system skall detta utföras på ett säkert sätt.

Kompetens hos servicepersonal

Allmänt

Specialutbildning förutom vanlig utbildning reparationsprocedurer av kylmedelsutrustning krävs när utrustning med brandfarligt kylmedel är involverat.

I många länder utförs denna utbildning av nationella utbildningsorganisationer som är ackrediterade att utbilda relevant nationell kompetensstandard som kan fastställas i lagstiftningen.

Den uppnådda kompetensen skall kunna dokumenteras med ett certifikat.

Utbildning

Utbildningen skall innehålla följande:

Information om explosionspotential för brandfarliga kylmedel för att fisa att brandfarligheten kan vara farlig när de hanteras ovarsamt.

Information om potentiella antändningskällor som inte är självklara, såsom tändare, ljusomkopplare, dammsugare, elektriska värmare.

Information om olika säkerhetskoncept:

Oventilerat – Säkerheten hos apparaten beror inte på ventilationen i höljet. Stänga av apparaten eller öppna höljet har ingen signifikant påverkan på säkerheten. Inte desto mindre är det möjligt att läckande kylmedel kan ackumuleras på insidan och brännbar atmosfär kommer att släppas ut när höljet öppnas.

Ventilerat hölje – Säkerheten hos apparaten beror på ventilationen i höljet. Stänga av apparaten eller öppna höljet har signifikant påverkan på säkerheten. Försiktighet gäller för att garantera att det finns tillräckligt ventilation.

Ventilerat rum – Säkerheten hos apparaten beror på ventilationen i rummet. Stänga av apparaten eller öppna höljet har ingen signifikant påverkan på säkerheten. Ventilationen i rummet skall inte stängas av under reparationsproceduren.

Information om konceptet med förseglade komponenter och förseglade inkapslingar i enlighet med IEC 60079-15:2010.

Information om korrekt arbetsprocedurer:

a) Igångsättning

- Se till att golvområdet är tillräckligt för kylmedelsladdning eller att ventilationsslangen är monterad på korrekt sätt.
- Anslut rören och gör ett läckagetest innan laddning med kylmedel.
- Kontrollera säkerhetsutrustningen innan enheten tas i bruk.

b) Underhåll

- Portabel utrustning skall repareras ute eller i en verkstad som är särskilt utrustad för service av enheter med brandfarliga kylmedel.
- Se till att det finns tillräcklig ventilation på reparationsplatsen.
- Var medveten om att funktionsfel hos utrustningen kan vara orsakade av förlust av kylmedel och en kylmedelsläcka kan vara möjlig.
- Ladda ur kondensatorer på ett sätt så att gnistor inte bildas. Standardproceduren för att kortsluta kondensatorers terminaler skapar vanligtvis gnistor.
- Återmontera förseglade områden korrekt. Om packningarna är slitna, byt.
- Kontrollera säkerhetsutrustningen innan enheten tas i bruk.

c) Reparation

- Portabel utrustning skall repareras ute eller i en verkstad som är särskilt utrustad för service av enheter med brandfarliga kylmedel.
- Se till att det finns tillräcklig ventilation på reparationsplatsen.
- Var medveten om att funktionsfel hos utrustningen kan vara orsakade av förlust av kylmedel och en kylmedelsläcka kan vara möjlig.
- Ladda ur kondensatorer på ett sätt så att gnistor inte bildas.
- När hårdlödning krävs skall följande procedurer utföras i rätt ordning:
 - Ta bort kylmedlet. Om återvinning inte krävs av nationella bestämmelser, töm ut kylmedlet ute. Se till att det uttömnda kylmedlet inte utgör någon fara. Vid tveksamheter skall en person skydda utloppet. Var särskilt försiktigt så att det uttömnda kylmedlet inte flyter tillbaka in i byggnaden.
 - Töm kylmedelskretsen.
 - Rensa kylmedelskretsen med nitrogen i fem minuter.
 - Töm igen.
 - Ta bort delar som skall bytas ut genom skärning, inte med lågor.
 - Rensa hårdlödningspunkten med nitrogen under hårdlödningsproceduren.

- Gör ett läckagetest innan laddning med kylmedel.
 - Återmontera förseglade områden korrekt. Om packningarna är slitna, byt.
 - Kontrollera säkerhetsutrustningen innan enheten tas i bruk.
- d) Stängning
- Om säkerheten påverkas när utrustningen tas ur drift, skall kylmedelsladdningen tas bort innan stängning.
 - Se till att det finns tillräcklig ventilation på utrustningsplatsen.
 - Var medveten om att funktionsfel hos utrustningen kan vara orsakade av förlust av kylmedel och en kylmedelsläcka kan vara möjlig.
 - Ladda ur kondensatorer på ett sätt så att gnistor inte bildas.
 - Ta bort kylmedlet. Om återvinning inte krävs av nationella bestämmelser, töm ut kylmedlet ute. Se till att det uttömnda kylmedlet inte utgör någon fara. Vid tveksamheter skall en person skydda utloppet. Var särskilt försiktigt så att det uttömnda kylmedlet inte flyter tillbaka in i byggnaden.
 - Töm kylmedelskretsen.
 - Rensa kylmedelskretsen med nitrogen i fem minuter.
 - Töm igen.
 - Fyll på med nitrogen upp till atmosfäriskt tryck.
 - Markera på utrustningen att kylmedlet har tagits bort.
- e) Avyttring
- Se till att det finns tillräcklig ventilation på arbetsplatsen.
 - Ta bort kylmedlet. Om återvinning inte krävs av nationella bestämmelser, töm ut kylmedlet ute. Se till att det uttömnda kylmedlet inte utgör någon fara. Vid tveksamheter skall en person skydda utloppet. Var särskilt försiktigt så att det uttömnda kylmedlet inte flyter tillbaka in i byggnaden.
 - Töm kylmedelskretsen.
 - Rensa kylmedelskretsen med nitrogen i fem minuter.
 - Töm igen.
 - Ta bort kompressorn och töm ut oljan.

Transport, märkning och förvaring av enheter som använder brandfarliga kylmedel

Transport av utrustning som innehåller brandfarliga kylmedel

Uppmärksamma att det kan finnas ytterligare transportbestämmelser med tanke på att utrustningen innehåller brännbara gaser. Maximalt antal delar av utrustningen eller konfiguration av utrustningen som tillåts att transporteras tillsammans avgörs av de tillämpliga transportbestämmelserna.

Märkning av utrustningen med skyltar

Skyltar för liknande apparater som används i arbetsområden styrs av lokala bestämmelser och ger minimikraven för ombesörjande av säkerheten och/eller hälsoskyltar för arbetsplatsen.

Alla skyltar som krävs skall bibehållas och anställda skall se till att anställda får lämpliga och tillräckliga instruktioner och utbildning i betydelsen av lämpliga säkerhetsskyltar och att åtgärder skall vidtas i anslutning till dessa skyltar.

Effektiviteten hos skyltarna skall inte döljas av att alltför många skyltar placeras tillsammans.

Alla piktogram som används skall vara så enkla som möjligt och endast innehålla väsentliga detaljer.

Avyttring av utrustning som innehåller brandfarliga kylmedel

Se nationella bestämmelser.

Förvaring av utrustning/apparater

Förvaring av utrustningen skall ske i enlighet med tillverkarens instruktioner.

Förvaring av förpackad (osåld) utrustning

Den förpackningens skydd skall vara konstruerat så att mekaniska skador på utrustningen inuti förpackningen inte orsakar läckage av kylmedelsladdningen.

Maximalt antal delar utrustningen som tillåts att förvaras tillsammans avgörs av lokala bestämmelser.

Van harte bedankt voor de aankoop van ons product. Gelieve deze handleiding en instructies aandachtig te lezen alvorens gebruik, om er zeker van te zijn dat u het product correct gebruikt.

BELANGRIJKE INSTRUCTIES

Als u elektrische toestellen gebruikt, dient u altijd de basisvoorzorgsmaatregelen op te volgen om het risico op brand, elektrische schokken, brandwonden en andere verwondingen te verkleinen.

1. Lees en bewaar deze gebruiksaanwijzing. Opgelet: de afbeeldingen in de gebruiksaanwijzing zijn louter indicatief.
2. Dit toestel mag gebruikt worden door kinderen vanaf de leeftijd van 8 jaar en door personen met verminderde fysieke, zintuiglijke of mentale capaciteiten of met gebrek aan ervaring of kennis, indien zij onder het toezicht staan of gebruiksinstructies voor het veilig gebruik van dit toestel gekregen hebben en de mogelijke gevaren begrijpen.
3. Kinderen mogen niet met dit toestel spelen.
4. Kinderen die niet onder toezicht staan, mogen dit apparaat niet reinigen of onderhouden.
5. Als het stroomsnoer beschadigd is, dan moet het vervangen worden door de fabrikant, diens dealer of een gekwalificeerde technicus om risico's te voorkomen.
6. Dit apparaat is uitsluitend bestemd voor binnenshuis gebruik.
7. Gebruik het toestel niet in de buurt van een vuurbron, in een zone waar olie kan opspatten, stel het niet bloot aan direct zonlicht en plaats het niet in een zone waar water kan opspatten, zoals in de buurt van een badkuip, douche of een zwembad, of in een wasruimte.

8. Steek nooit uw vingers of een stang in de luchtinlaat. Licht kinderen altijd over deze gevaren in.
9. Houd het toestel rechtop tijdens transport en opslag zodat de compressor niet wordt beschadigd.
10. Voordat u het toestel reinigt of verplaatst, schakel het altijd uit en haal de stekker uit het stopcontact.
11. Om brandgevaar te vermijden, dek het toestel nooit af.
12. Zorg dat het gebruikte stopcontact in overeenstemming is met de lokale voorschriften inzake elektrische veiligheid. Indien nodig, raadpleeg de voorschriften.
13. Installeer het apparaat in overeenstemming met de nationale bedradingsvoorschriften.
14. Details over het type en de waarde van de zekeringen: T, 250V AC, 3,15A.
15. Neem contact op met een bekwame onderhoudstechnicus om dit toestel te repareren of te onderhouden.
16. Niet aan het snoer trekken, het vervormen of aanpassen, of het in water dompelen. Aan het snoer trekken of het verkeerd gebruiken kan schade aan het apparaat en een elektrische schok veroorzaken.
17. Leef de nationale gasverordeningen altijd na.
18. Reparaties mogen alleen worden uitgevoerd zoals aanbevolen door de fabrikant van het apparaat. Onderhoud en reparatie die de hulp van ander opgeleid personeel vereisen, moeten worden uitgevoerd onder het toezicht van een persoon die weet hoe brandbare koudemiddelen te gebruiken.
19. Start of stop het toestel niet door de stekker in het stopcontact te steken of eruit te trekken. Het kan een elektrische schok of brand veroorzaken als gevolg van de overmatige generatie van hitte.
20. Haal de stekker uit het stopcontact als u een ongewoon geluid, geur of rook waarneemt.
21. Sluit dit apparaat altijd aan op een geaard stopcontact.

22. Als het toestel beschadigd is, schakel het toestel uit, haal de stekker uit het stopcontact en neem contact op met een erkend servicecentrum voor reparatie.
23. Gebruik geen middelen die het ontdooiproces versnellen of reinigingsmiddelen, tenzij deze die door de fabrikant zijn aanbevolen.
24. Berg het apparaat op in een ruimte zonder continu werkende ontstekingsbronnen (bijv. een open vlam, ingeschakeld gastoestel of een ingeschakeld elektrisch verwarmingstoestel).
25. Niet doorboren of verbranden.
26. Opgelet, bepaalde koudemiddelen zijn geurloos.
27. Dit apparaat bevat het koudemiddel R290. R290 is een koelgas dat in overeenstemming is met de Europese milieurichtlijnen. Doorboor geen enkel deel van het koelcircuit.
28. Als het apparaat wordt geïnstalleerd, bediend of bewaard in een ruimte zonder ventilatie, moet de ruimte aldus zijn ingericht dat de ophoping van koudemiddel door een lek wordt vermeden. Dit kan leiden tot brand- of explosiegevaar door het ontsteken van het koudemiddel door een elektrisch verwarmingstoestel, fornuis of andere ontstekingsbron.
29. Bewaar het apparaat op een dergelijke wijze zodat mechanische storing wordt vermeden.
30. Personen die het koelcircuit bedienen of er aan werken, moeten in het bezit zijn van een gepast certificaat van een bevoegde organisatie, zodat deze personen bevoegd zijn om koudemiddelen op een veilige manier te behandelen overeenkomstig de specificaties die in de industrie van kracht zijn.
31. Reparaties mogen alleen worden uitgevoerd zoals aanbevolen door de fabrikant van het apparaat. Onderhoud en reparatie die de hulp van ander opgeleid personeel vereisen, moeten worden uitgevoerd onder

het toezicht van een persoon die weet hoe brandbare koudemiddelen te gebruiken.

32. Voor instructies voor het repareren van apparaten die R290 bevatten, raadpleeg onderstaande paragrafen.
33. Laat het apparaat altijd minstens 2 uur met rust nadat het naar een andere ruimte is gebracht.



Waarschuwing: Brandgevaar / ontvlambare materialen.



Lees de gebruikershandleidingen.



Gebruiksaanwijzing; gebruiksinstructies.



Service-indicator; lees de technische handleiding.

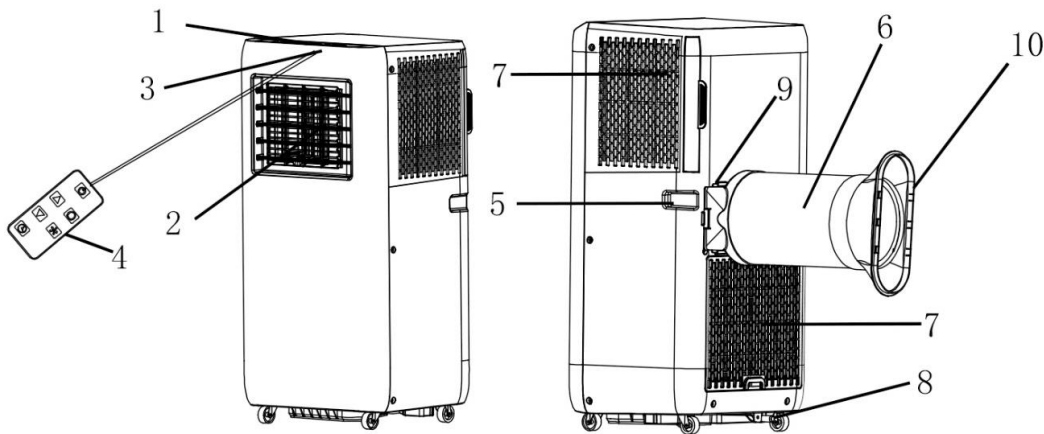
Waarschuwing: Houd de ventilatieopeningen vrij.

Waarschuwing: Berg het apparaat op in een goed geventileerde ruimte waarbij de grootte van de kamer overeenstemt met het oppervlak dat is aangegeven.

De vrije ruimte rondom het toestel moet minstens 30 cm bedragen.

Installeer, gebruik en bewaar het apparaat in een ruimte met een vloeroppervlak van minstens 4 m².

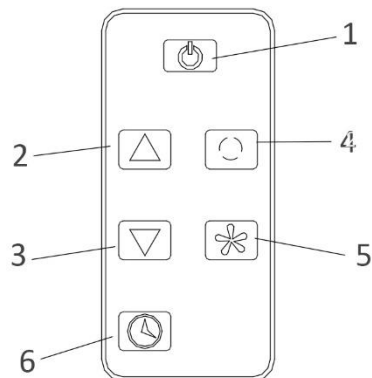
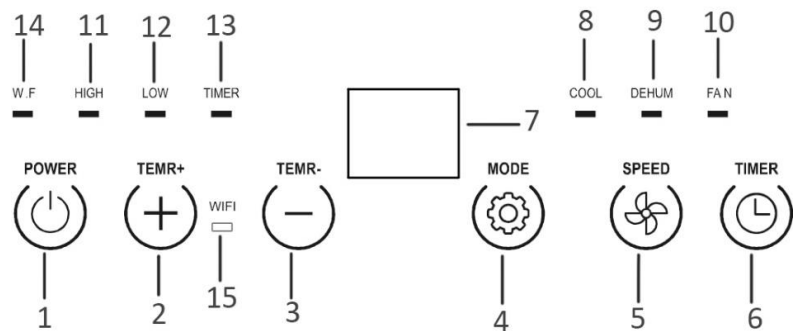
BESCHRIJVING VAN DE ONDERDELEN



1. Bedieningspaneel
2. Luchtuitlaat en lamellen
3. Signaalontvanger
4. Afstandsbediening
5. Handgreep
6. Luchtuitlaatslang
7. Luchtinlaat en luchtfilter
8. Afvoerklap (afgesloten met een stop)
9. Slangaansluitstuk
10. Raamadapter

Bedieningspaneel

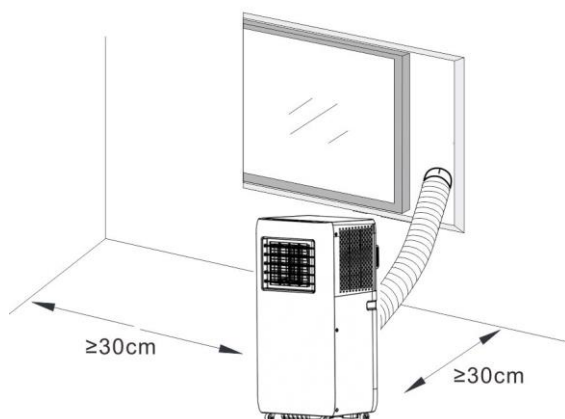
1. Aan/uit-knop
2. Temperatuur/timer verhogen-knop
3. Temperatuur/timer verlagen-knop
4. Modus-knop
5. Ventilatorsnelheid-knop
6. Timer-knop
7. Digitaal scherm
8. Koelmodus-controlelampje
9. Ontvochtigingsmodus-controlelampje
10. Ventilatormodus-controlelampje
11. Hoge snelheid-controlelampje
12. Lage snelheid-controlelampje
13. Timer-controlelampje
14. Waterreservoir vol-controlelampje
15. WIFI-controlelampje



Dit toestel is voorzien van een afstandsbediening. De afstandsbediening is reeds uitgerust met één CR2025 batterij. Voordat de afstandsbediening wordt gebruikt, verwijder de plastic bescherming van de batterij. Als de batterij aan vervanging toe is, raadpleeg de instructies op de achterkant van de afstandsbediening. Als u denkt de afstandsbediening langere tijd niet te gebruiken, haal de batterij uit. Knoopcel batterijen buiten bereik van kleine kinderen houden.

INSTALLATIE

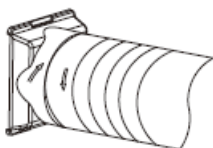
- Installeer het toestel op een vlakke ondergrond waar de luchtuitlaat niet belemmerd kan worden. Zorg voor een vrije ruimte van minstens 30 cm rondom het toestel.



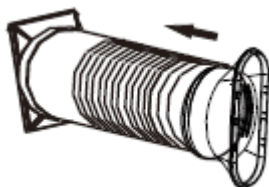
- Installeer het toestel niet in een wasruimte.
- Verleng de luchtuitlaatslang door beide uiteinden van de slang uit te trekken.



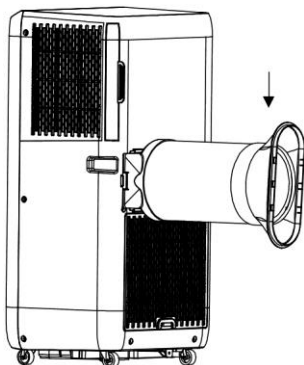
- Schroef de luchtuitlaatslang vast aan het slangaansluitstuk.



- Schroef het ander uiteinde van de luchtuitlaatslang vast aan de raamadapter.



- Steek het slangaansluitstuk in de beugel aan de achterkant van het toestel.



WERKING

*Laat het apparaat altijd minstens 2 uur rusten nadat het naar een andere ruimte is gebracht.

Voor gebruik, controleer of de uitlaatslang juist is aangebracht. Steek de stekker in het stopcontact. De luchtgleuven zijn handmatig te verstellen.

1. Aan/uit-knop

Druk op de aan/uit-knop om het apparaat in te schakelen. Het apparaat treedt in werking.

Druk opnieuw op de knop en het apparaat wordt uitgeschakeld.

2. Temperatuur/timer verhogen-knop en Temperatuur/timer verlagen-knop

Druk op de knop “+”/“-” op het bedieningspaneel of “▲”/“▼” op de afstandsbediening om de gewenste kamertemperatuur tussen 15°C en 31°C in te stellen. De knoppen kunnen tevens worden gebruikt om de timer in te stellen. De waarde wordt bij elke druk op de knop met 1 (°C/uur) verhoogd of verlaagd.

3. Ventilatorsnelheid-knop

Druk op de ventilatorsnelheid-knop om de ventilatorsnelheid op laag of hoog in te stellen. Het overeenkomstig “LOW”/“HIGH” controlelampje zal branden.

4. Modusknop

Druk op de modus-knop om uw gewenste werkingsmodus in te stellen. U kunt kiezen uit COOL (koelen), DEHUM (ontvochtigen) en FAN (ventilator). Het overeenkomstig controlelampje brandt wanneer de specifieke modus is geselecteerd.

- Koelmodus

Wanneer de kamertemperatuur hoger dan de ingestelde temperatuur is, wordt de compressor ingeschakeld.

Wanneer de kamertemperatuur lager dan de ingestelde temperatuur is, stopt de compressor en werkt de ventilator op de oorspronkelijk ingestelde snelheid.

Opmerking: Als de compressor in werking is, zal het toestel lichtjes trillen. Dit is normaal en is onschadelijk.

- Ontvochtigingsmodus

In de ontvochtigingsmodus werkt de ventilator op een lage snelheid. De ventilator en temperatuur kunnen niet worden aangepast.

De compressor stopt na 8 minuten en wordt na 6 minuten opnieuw ingeschakeld. Deze cyclus wordt herhaald.

- Ventilatormodus

Wanneer de ventilator op de ingestelde snelheid draait, zal de compressor niet werken.

De temperatuur in de ventilatormodus aanpassen heeft geen enkele impact.

5. Timer-knop

Automatisch AAN-instelling

- Wanneer het apparaat is uitgeschakeld, druk op de timer-knop en het timer-controlelampje zal knipperen.
- Druk op de timer verhogen of verlagen-knop om een gewenste Automatisch AAN-tijd tussen 1 en 24 uur in te stellen. Het timer-controlelampje knippert gedurende enkele seconden en brandt vervolgens continu. Het digitaal scherm is uitgeschakeld. De timer-instelling is bevestigd.
- U kunt op hetzelfde moment de ventilatorsnelheid of -modus kiezen.
- Het apparaat wordt automatisch ingeschakeld zodra de ingestelde tijd is verstreken.

Automatisch UIT-instelling

- Wanneer het apparaat is ingeschakeld, druk op de timer-knop en het timer-controlelampje zal knipperen.
- Druk op de timer verhogen of verlagen-knop om een gewenste Automatisch UIT-tijd tussen 1 en 24 uur in te stellen. Het timer-controlelampje knippert gedurende enkele seconden en brandt vervolgens continu. De timer-instelling is bevestigd.
- Het apparaat wordt automatisch uitgeschakeld zodra de ingestelde tijd is verstreken.

Om de timer te annuleren, druk op de timerknop. Wanneer het timer-controlelampje knippert, druk opnieuw op de timerknop. Het timer-controlelampje dooft vervolgens.

OPMERKING:

- De beveiliging kan worden geactiveerd en het apparaat doen stoppen wanneer een van de volgende omstandigheden zich voordoet:

Koelen	Kamertemperatuur is hoger dan 43°C.
	Kamertemperatuur is lager dan 15°C.
Ontvochtigen	Kamertemperatuur is lager dan 15°C.

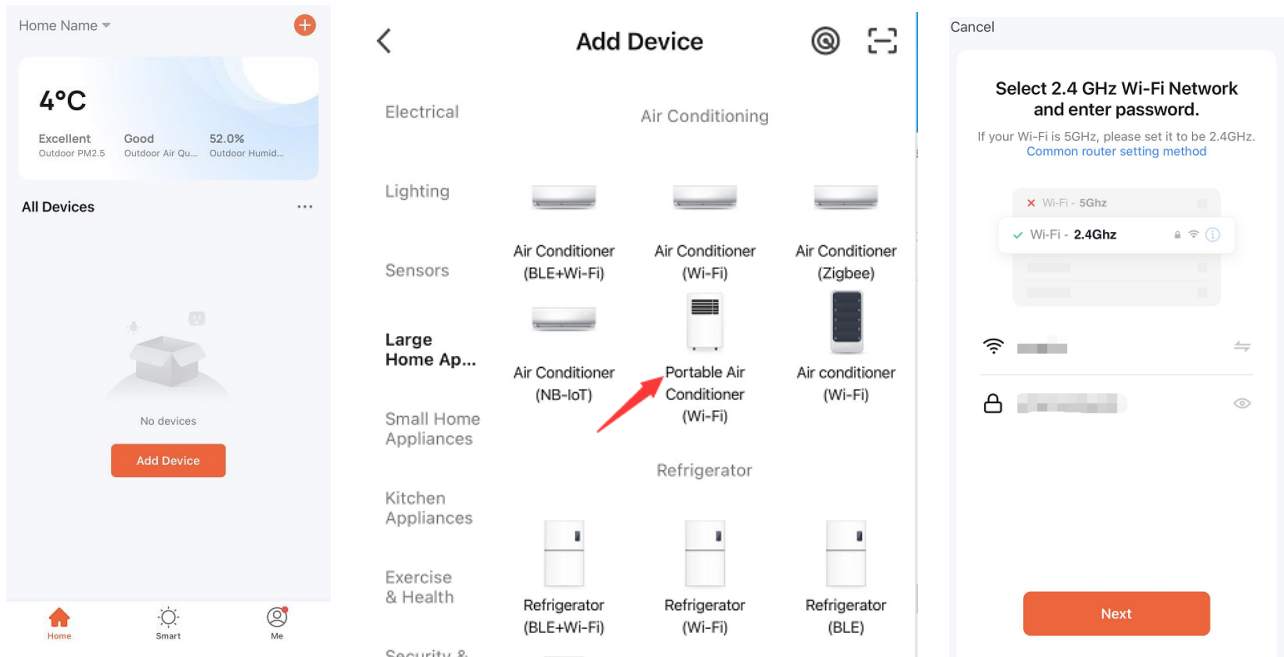
- Als het apparaat langdurig in een de koel- of droogmodus werkt met een open deur of room en de relatieve vochtigheidsgraad is hoger dan 80%, kan er water uit de luchtuitlaat druppelen.

Water afvoeren

- 1) Speciale herinnering: Dit apparaat bevat intern condenswater dat wordt gerecycled. Het condenswater wordt zowel door de condensator gerecycled als in de waterbak opgevangen. Wanneer het waterpeil het maximum niveau bereikt, verschijnt de reservoir vol-code „E4“ op het digitaal scherm als herinnering om het water af te voeren.
- 2) Haal de stekker uit het stopcontact, breng het apparaat naar een geschikte plaats en trek de stop uit de afvoerklep om al het water af te voeren. Als de omstandigheden het toelaten kunt u tevens een afvoerslang op de afvoerklep aansluiten om het water af te voeren.
- 3) Wanneer al het water is afgevoerd, steek de stop opnieuw in de afvoerklep om het lekken van het apparaat en het nat worden van uw ruimte te vermijden.

Wi-Fi-verbindingshandleiding (De handleiding voor de APP kan niet volledig zijn bijgewerkt omwille van een upgrade van de softwareversie of een andere reden. Deze instructie wordt alleen als richtlijn gebruikt.):

1. Zoek naar “Tuya smart” in App Store (voor iOS) of Google Play (voor Android) en download de app “Tuya Smart” naar uw telefoon. Meld u aan of log in op uw account van Tuya.
2. Zorg ervoor dat uw apparaat in stand-by staat. Druk lang op de modusknop totdat u een pieptoon hoort. Het WIFI-controlelampje knippert snel.
3. Druk op “+” in de rechterbovenhoek of op de knop “Apparaat toevoegen” op de homepagina van Tuya om uw apparaat toe te voegen.
4. Zoek naar de categorie "Draagbare airconditioner". Druk op het pictogram en u krijgt de melding om het 2.4GHz Wi-Fi-netwerk te gebruiken. Opgelet, het 5 GHZ Wi-Fi-netwerk wordt niet door deze app ondersteund.
5. Voer uw Wi-Fi-wachtwoord in en maak een verbinding met Wi-Fi. Controleer of het WIFI-controlelampje snel knippert, druk op "Volgende", de applicatie zal het apparaat scannen en toevoegen.



6. Zodra het apparaat succesvol is toegevoegd, brandt het WIFI-controlelampje continu.
7. U kunt de APP nu gebruiken om het apparaat te bedienen.

Opmerking:

- Druk op de modusknop in de APP en u krijgt "Cool, Dry and Fan" te zien. De Droogmodus is hetzelfde als de ontvochtigingsmodus.
- Raak de temperatuurweergave aan om tussen graden Fahrenheit en Celsius te schakelen.
- Wanneer de netwerkomgeving voor het apparaat gewijzigd is, moet het opnieuw geconfigureerd worden.
- U kunt de WIFI-functie in-/uitschakelen door lang op de modusknop van de afstandsbediening te drukken wanneer het apparaat in stand-by staat. Wanneer het WIFI-controlelampje snel knippert, wacht het apparaat om gekoppeld te worden. Wanneer het WIFI-controlelampje continu brandt, is de Wi-Fi-verbinding tot stand gebracht. Wanneer het WIFI-controlelampje dooft, is WIFI uitgeschakeld.

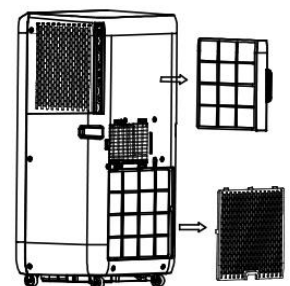
REINIGING EN ONDERHOUD

- Haal de stekker uit het stopcontact voordat u het apparaat reinigt.
- Maak het apparaat niet schoon met benzine of een andere chemische stof.
- Dompel het apparaat niet onder.
- Als het apparaat beschadigd is, neem contact op met uw handelaar of een erkend servicecentrum.

Luchtfilter

Maak de luchtfilters iedere twee weken schoon om verstopping door stof en vuil te vermijden.

- Trek de luchtfilters via het lipje uit.
- Maak de luchtfilter schoon met een neutraal reinigingsmiddel in lauw water (< 40°C) en laat het in de schaduw drogen.
- Breng de luchtfilter opnieuw aan.



De buitenkant schoonmaken

Maak de buitenkant schoon met een neutraal reinigingsmiddel en een natte doek en voeg het vervolgens droog met een droge doek.

PROBLEEMOPLOSSING

De volgende gevallen hoeven niet altijd een storing te zijn. Raadpleeg de onderstaande aanbevelingen voordat u contact opneemt met het servicecentrum.

Probleem	Analyse
Apparaat werkt niet	<ul style="list-style-type: none">Als de beveiliging is geactiveerd of de zekering is doorgeslagen.Wacht 3 minuten en schakel het apparaat opnieuw in, de beveiliging kan de werking van het apparaat verhinderen.Als de batterijen in de afstandsbediening leeg zijn.Als de stekker niet goed in het stopcontact zit.
Het apparaat werkt, maar kortstondig.	<ul style="list-style-type: none">Als de ingestelde temperatuur zich in de buurt van de kamertemperatuur bevindt, kunt u de ingestelde temperatuur verlagen.De luchtuitlaat is verstopt. Verwijder de verstopping.
Water lekt tijdens het verplaatsen	<ul style="list-style-type: none">Voer het condensaat af voordat u het apparaat verplaatst.Plaats het apparaat op een vlakke ondergrond om het lekken van water te vermijden.
Apparaat werkt niet en water vol-controlelampje "E4" brandt	<ul style="list-style-type: none">Trek de rubberen plug uit om het water af te voeren.Als het apparaat zich vaak in deze status bevindt, neem dan contact op met een gekwalificeerd servicecentrum.
Apparaat stopt automatisch	<ul style="list-style-type: none">Timer is verstrekenDe ingestelde temperatuur is bereikt

TECHNISCHE GEGEVENS

Onderstaande gegevens zijn voor uw operationele referentie

Model	PAC-127277
Nominale spanning	220-240V
Nominale frequentie	50Hz
Nominale invoer	750W
Nominale stroom	3.4A
Koelvermogen	7000BTU
Vochtverwijdering (L/U)	0.8
Luchtstroom	270m ³ /h
Maximaal zendvermogen	17,5 dBm
Frequentiebereik	2412-2472MHz

Wij, van Emerio, verklaren onder onze eigen verantwoordelijkheid dat het product: PAC-127277 in overeenstemming is met de essentiële voorschriften en andere desbetreffende voorschriften van de RED-richtlijn (2014/53/EU).

De volledige CE-verklaring is beschikbaar op het volgende adres: www.emerio.eu

ERP-INFORMATIE

	Waarde
Handelsmerk	Emerio
Identificatie van model	PAC-127277
Geluidsvermogen (koeling)	64dB(A)
Naam van koudemiddel	R290
Nominaal opgenomen vermogen voor koeling (kW)	0.755
Nominale energie-efficiëntieverhouding	2.7
GWP (kgCO ₂ eq)	3
Energie-efficiëntieklasse	A
Energieverbruik voor apparaten met twee leidingen (kWh/h)	-
Energieverbruik voor apparaten met één leiding (kWh/h)	0.755

Stroomverbruik in thermostaat uit-modus (W)	-
Stroomverbruik in stand-bymodus (W)	0.85
Koelvermogen	7000BTU
<p>Het lekken van koudemiddel draagt bij tot klimaatverandering. Koudemiddel van een lager aardopwarmingspotentieel (GWP) draagt in mindere mate bij tot de opwarming van de aarde dan een koudemiddel met een hogere GWP wanneer deze in de atmosfeer terechtkomt. Dit apparaat bevat een koudemiddel met een GWP van 3. Dit betekent dat als 1 kg van dit koudemiddel in de atmosfeer zou terechtkomen, de impact op de opwarming van de aarde 3 keer groter zou zijn dan 1 kg CO₂, over een periode van 100 jaar. Pas het koelcircuit nooit zelf aan of haal het product niet zelf uit elkaar, laat dit altijd aan een deskundige over.</p> <p>#Energieverbruik van 0.755 kWh voor model PAC-127277 bij 60 minuten van gebruik onder standaard testomstandigheden. Het werkelijk energieverbruik is afhankelijk van de gebruikswijze van het apparaat en waar het is geplaatst.</p> <p>Voor meer informatie kunt u contact opnemen met: Emerio International AB Smedjegatan 6 131 54 Nacka Sweden</p>	

GARANTIE EN KLANTENSERVICE

Vóór de levering worden onze apparaten streng gecontroleerd. Indien het toestel ondanks alle zorg bij de productie of tijdens het transport beschadigd werd, moet u het naar de handelaar terugbrengen. Naast het wettelijke recht op waarborg heeft de klant recht op de volgende garantieclaim:

Wij geven een garantie van 2 jaar op het toestel, te beginnen met de koopdatum. Indien u een defect product heeft, kunt u rechtstreeks terug gaan naar het aankooppunt.

Gebreken die het gevolg zijn van ondeskundig gebruik van het toestel, fouten tijdens ingrepen en reparaties door derden of door de inbouw van vreemde onderdelen, vallen niet onder deze garantie. Bewaar altijd uw aankoopnota, zonder aankoopnota kunt u geen aanspraak maken op enige vorm van garantie. Bij schade veroorzaakt door het niet opvolgen van de gebruiksaanwijzing vervalt het recht op garantie. Voor vervolgschade die hieruit ontstaat kunnen wij niet verantwoordelijk gehouden worden. Voor materiële schade of persoonlijk letsel veroorzaakt door ondeskundig gebruik of het niet opvolgen van de veiligheidsvoorschriften zijn wij niet aansprakelijk. In dergelijke gevallen vervalt iedere aanspraak op garantie. Schade aan accessoires of onderdelen betekend niet dat het gehele apparaat zal worden vervangen. Afgebroken glazen of kunststof onderdelen of accessoires vallen niet onder de garantie en zullen tegen vergoeding vervangen kunnen worden. Defecten aan hulpstukken of aan slijtage onderhevige onderdelen, alsmede reiniging, onderhoud of de vervanging van slijtende delen vallen niet onder de garantie en zullen dus in rekening gebracht worden.

MILIEUVRIENDELIJKE AFVALVERWERKING



Recycling – Europese Richtlijn 2012/19/EU

Deze markering betekent dat dit product niet samen met ander huishoudelijk afval mag worden afgedankt. Om het milieu en de volksgezondheid niet in gevaar te brengen en het hergebruik van grondstoffen te bevorderen, moet dit product op verantwoordelijke wijze worden afgevoerd. Lever verbruikte apparatuur a.u.b. in bij de hiervoor bestemde inzamelpunten of bij de winkel waar het product was aangeschaft. Zij zullen dit product accepteren voor milieuvriendelijke afvalverwerking.



RECYCLE OF GOOI DE BATTERIJ OP EEN JUISTE MANIER WEG. NIET OPENEN. NIET IN VUUR GOOIEN OF KORTSLUITEN.

INSTRUCTIES VOOR HET REPAREREN VAN APPARATEN DIE R290 BEVATTEN

1. Reparaties

1) Controle van de bedrijfsruimte

Voordat er kan worden gewerkt aan systemen die ontvlambare koudemiddelen bevatten, moeten er veiligheidscontroles worden uitgevoerd om het risico op ontsteking tot een minimum te beperken. De volgende voorzorgsmaatregelen dienen in acht te worden genomen voordat er reparaties aan het koelsysteem kunnen worden uitgevoerd.

2) Werkprocedure

De werkzaamheden moeten volgens een gecontroleerde procedure worden uitgevoerd om het risico op de aanwezigheid van een ontvlambaar gas of een ontvlambare damp tijdens de werkzaamheden tot een minimum te beperken.

3) Algemene werkomgeving

Al het onderhoudspersoneel en alle overige personen in de werkomgeving moeten worden geïnformeerd over de aard van de werkzaamheden die worden uitgevoerd. Werkzaamheden in besloten ruimtes moeten worden voorkomen. Het gebied rond de werkomgeving moet worden afgesloten. Zorg ervoor dat er veilig in de werkomgeving kan worden gewerkt door het te controleren op de aanwezigheid van ontvlambare stoffen.

4) Controleren op de aanwezigheid van koudemiddel

De omgeving moet voor en tijdens de werkzaamheden worden gecontroleerd met een gepaste koudemiddeldetector, zodat de technicus weet of er ontvlambare stoffen aanwezig zijn. Zorg ervoor dat de apparatuur voor lekdetectie geschikt is voor detectie van ontvlambare koudemiddelen, d.w.z. geen vonken afgeeft, goed is afgedicht en intrinsiek veilig is.

5) Aanwezigheid van een brandblusser

Als er hete werkzaamheden aan de koelapparatuur of bijbehorende onderdelen moeten worden verricht, moet er geschikte blusapparatuur aanwezig zijn. Zorg dat er een CO₂- of poederblusser in de buurt van de werkomgeving aanwezig is.

6) Geen ontstekingsbronnen

Geen enkele persoon die aan een koelsysteem werkzaamheden verricht waarbij leidingen worden blootgelegd die ontvlambaar koudemiddel bevatten of hebben bevat, mag ontstekingsbronnen op zo'n manier gebruiken dat deze een brand- of explosiegevaar vormt. Alle mogelijke ontstekingsbronnen, waaronder brandende sigaretten, moeten uit de buurt van de ruimte waar het apparaat wordt geïnstalleerd, gerepareerd, verwijderd of afgedankt worden gehouden aangezien ontvlambaar koudemiddel vrij kan komen. Vóór het begin van de werkzaamheden moet het gebied rond de apparatuur worden gecontroleerd op de aanwezigheid van ontbrandingsgevaaren en ontstekingsrisico's. Er moeten borden worden geplaatst met de tekst "Niet roken".

7) Geventileerde omgeving

Zorg ervoor dat de werkomgeving in de buitenlucht is of voldoende wordt geventileerd, voordat het systeem wordt geopend of hete werkzaamheden worden verricht. Tijdens de werkzaamheden moet er voortdurend ventilatie zijn. De ventilatie moet ervoor zorgen dat vrijgekomen koudemiddel wordt verspreid en bij voorkeur wordt afgegeven naar de buitenlucht.

8) Controle van de koelapparatuur

Bij het vervangen van elektrische componenten moeten componenten worden gebruikt die geschikt zijn voor het doel en die de juiste specificaties hebben. Volg altijd de onderhouds- en reparatierichtlijnen van de fabrikant. In geval van twijfel, neem contact op met de technische dienst van de fabrikant.

Voer de volgende controles uit op installaties die brandbaar koudemiddel gebruiken:

- De hoeveelheid koudemiddel moet in overeenstemming zijn met de omvang van de ruimte waarin de apparatuur met koudemiddel wordt geplaatst;
- De ventilatieapparatuur en -uitlaten werken naar behoren en worden niet geblokkeerd;

- Als een indirect koelcircuit wordt gebruikt, controleer het secundaire circuit op de aanwezigheid van koudemiddel;
- De markering op het apparaat moeten goed zichtbaar en leesbaar zijn. Markeringen en tekens die niet leesbaar zijn moeten worden vervangen;
- Installeer koelleidingen of onderdelen van het koelcircuit in een positie waar ze niet blootgesteld kunnen worden aan stoffen die de onderdelen die het koudemiddel bevatten kunnen corroderen, tenzij deze onderdelen van een materiaal zijn gemaakt die corrosiebestendig zijn of gepast tegen corrosie zijn beschermd.

9) Controle van elektrische apparatuur

Als onderdeel van reparatie- en onderhoudswerkzaamheden aan elektrische componenten moeten vooraf veiligheidscontroles worden uitgevoerd en moeten de componenten worden geïnspecteerd. Als een defect wordt geconstateerd dat de veiligheid in gevaar kan brengen, mag er geen stroomtoevoer op het circuit worden aangesloten, voordat het defect adequaat is verholpen. Als het defect niet direct kan worden verholpen, maar de bedrijfswerkzaamheden niet langer kunnen worden onderbroken, moet er een adequate en tijdelijke oplossing worden gevonden. Van deze tijdelijke oplossing moet melding worden gemaakt bij de eigenaar van het apparaat, zodat alle partijen op de hoogte zijn. Tot de initiële veiligheidscontroles behoren:

- De condensatoren moeten worden ontladen: dit moet op een veilige manier worden gedaan om de mogelijkheid op vonken te voorkomen;
- Er mogen geen actieve elektrische componenten en draden blootliggen tijdens het opladen, herstellen of spoelen van het systeem;
- Het systeem moet continu geaard zijn.

2. Reparaties op de afgedichte onderdelen

1) Tijdens de reparatie van afgedichte componenten moet alle stroomtoevoer worden ontkoppeld van het apparaat waaraan wordt gewerkt, voordat afdichtingen mogen worden verwijderd. Indien het absoluut noodzakelijk is dat er tijdens onderhoudswerkzaamheden stroomtoevoer naar het apparaat is, moet er een permanent werkende lekdetector worden geplaatst op het meest kritieke punt, zodat deze kan waarschuwen als er een gevaarlijke situatie optreedt.

2) Op de volgende punten moet bijzonder goed worden gelet om te voorkomen dat de behuizing van elektrische componenten tijdens werkzaamheden zijn beschermende functie niet verliest. Hiertoe behoort schade aan kabels, te veel aansluitingen, terminals die niet voldoen aan de oorspronkelijke specificaties, schade aan afdichtingen, niet goed passende wartels, enz.

Zorg dat het apparaat op een juiste manier in elkaar is gezet. Zorg dat de afdichtingen of het afdichtingsmateriaal niet zijn versleten om indringing van brandbare stoffen te vermijden. De reserveonderdelen moeten in overeenstemming zijn met de specificaties van de fabrikant.

OPMERKING: Het gebruik van een silicone afdichtmiddel kan een impact hebben op de juiste werking van bepaalde lekdetectieapparatuur. Intrinsieke veilige onderdelen moeten niet eerst worden geïsoleerd alvorens er werkzaamheden op uit te voeren.

3. Reparatie van intrinsiek veilige componenten

Stel het circuit niet bloot aan permanente inductie- of condensatorbelasting zonder van tevoren te controleren of deze belasting de toegestane spanning en stroomsterkte van het apparaat niet overschrijdt. Intrinsiek veilige componenten zijn de enige componenten waaraan kan worden gewerkt als er stroom op staat en er ontvlambare gassen of dampen aanwezig zijn. Het testapparaat moet aan de specificaties voldoen. Vervang de componenten alleen met door de fabrikant gespecificeerde componenten. Andere onderdelen kunnen het koudemiddel in brand steken wanneer er een lek aanwezig is.

4. Bekabeling

Controleer of de bekabeling niet onderhevig is aan slijtage, corrosie, overmatige druk, trillingen, scherpe randen of andere nadelige factoren in de bedrijfsomgeving. Houd tevens rekening met de effecten van veroudering en de continue trillingen van bronnen als compressors en ventilatoren.

5. Detectie van ontvlambaar koudemiddel

Onder geen enkele omstandigheid mogen er ontstekingsbronnen worden gebruikt voor het zoeken naar of detecteren van lekkend koudemiddel. Er mogen geen lekzoeklampen (of andere detectoren met een open vlam) worden gebruikt.

6. Methodes voor lekdetectie

De volgende lekdetectiemethodes zijn geschikt bevonden voor systemen die ontvlambaar koudemiddel bevatten.

Elektronische lekdetectoren kunnen worden gebruikt voor het detecteren van brandbare koudemiddelen. De gevoeligheid kan echter ongepast zijn of herkalibratie kan nodig zijn. (Kalibreer de detectieapparatuur in een gebied zonder koudemiddel). Zorg dat de detector geen potentiële ontstekingsbron is en voor het gebruikte koudemiddel gepast is. Stel de lekdetectieapparatuur in op een percentage van de LFL van het koudemiddel en kalibreer het volgens het gebruikte koudemiddel en de gepaste gaspercentage (maximum 25%). Lekdetectievloeistoffen zijn gepast voor gebruik met de meeste koudemiddelen, maar gebruik geen detergents die chloor bevatten. De chloor kan reageren met het koudemiddel en de koperen leidingen corroderen. Als een lek wordt vermoed, verwijder/ doof alle open vlammen. Als een koudemiddel wordt gevonden en er gesoldeerd moet worden, moet al het koudemiddel uit het systeem worden verwijderd of met behulp van ventielen worden geïsoleerd in een deel van het systeem dat zich op afstand van het lek bevindt. Zowel vóór als tijdens het solderen moet het systeem worden gespoeld met zuurstofvrije stikstof.

7. Verwijderen en vacuüm zuigen

Er worden algemene procedures gehanteerd voor reparatie- of andere werkzaamheden aan het koudemiddelcircuit. Houd met het oog op de ontvlambaarheid van koudemiddelen echter de volgende maatregelen in acht. Voer de volgende procedure uit:

- Verwijder het koudemiddel;
- Ontlucht het circuit met inert gas;
- Maak luchtledig;
- Ontlucht opnieuw met inert gas;
- Open het circuit door het te snijden of te solderen.

Het verwijderde koudemiddel moet worden opgevangen in de juiste verzamelingscilinders. Het systeem moet worden doorgespoeld met zuurstofvrije stikstof om het systeem veilig te maken. Het is mogelijk dat dit proces meerdere keren moet worden herhaald. Hiervoor mag geen gebruik worden gemaakt van perslucht of zuurstof. Het doorspoelen gebeurt door het vacuüm in het systeem op te heffen met zuurstofvrije stikstof tot de bedrijfsdruk is bereikt, de stikstof te laten ontsnappen in de omgevingslucht en het systeem vervolgens opnieuw vacuüm te zuigen. Dit proces moet worden herhaald tot er geen koudemiddel meer in het systeem aanwezig is. Wanneer er voor het laatst zuurstofvrije stikstof is toegepast, moet dit worden vrijgegeven aan de omgevingslucht tot de omgevingsdruk is bereikt. Vervolgens kan er met de werkzaamheden worden begonnen. Deze procedure is absoluut noodzakelijk als er soldeerwerkzaamheden op de leidingen dienen te gebeuren. Zorg dat de uitlaat van de vacuümpomp zich niet in de buurt van een ontstekingsbron bevindt en er voldoende ventilatie aanwezig is.

8. Vulprocedures

Naast de algemene vulprocedures moeten de volgende vereisten worden nageleefd.

- Zorg ervoor dat er bij het gebruik van de vulapparatuur geen vermenging van verschillende koudemiddelen optreedt. Slangen of leidingen moeten zo kort mogelijk worden gehouden om de hoeveelheid koudemiddel tot een minimum te beperken.
- De cilinders moeten rechtop staan.
- Zorg ervoor dat het koudemiddelsysteem geaard is, voordat het systeem wordt gevuld met koudemiddel.
- Label het systeem wanneer het is gevuld (indien dit nog niet is gedaan).
- Het is uiterst belangrijk dat het systeem niet overmatig gevuld wordt.

Voordat het systeem opnieuw wordt gevuld, moet er een druktest met zuurstofvrije stikstof worden uitgevoerd. Het systeem moet na het vullen, maar vóór ingebruikname, worden getest op lekkage. Een tweede lektest moet worden uitgevoerd alvorens de locatie te verlaten.

9. Ontmanteling

Voordat deze procedure wordt uitgevoerd, moet de technicus volledig bekend zijn met het apparaat. Het wordt aanbevolen dat alle koudemiddelen veilig worden opgevangen. Vóór het uitvoeren van de taak moet er een olie- en koudemiddelmonster worden genomen, voor het geval het opgevangen koudemiddel vóór hergebruik moet worden geanalyseerd. Het is essentieel dat er stroomtoevoer is vóór de werkzaamheden beginnen.

- a) Raak vertrouwd met het apparaat en zijn werking.
- b) Zorg voor gepaste elektrische isolatie van het systeem.
- c) Voordat u de procedure uitvoert:
 - Indien nodig, zorg dat er mechanische uitrusting voor het behandelen van de bewaarflessen met koudemiddel aanwezig is;
 - Zorg voor persoonlijke beschermingsmiddelen en dat ze juist worden gebruikt;
 - Zorg tijdens het terugwinningsproces voor een continu toezicht door een vakbekwame persoon.
 - Zorg dat de gebruikte terugwinningsuitrusting en bewaarflessen in overeenstemming zijn met de gepaste normen.
- d) Pomp het koudemiddelsysteem indien mogelijk leeg.
- e) Als gebruik van een vacuümpomp niet mogelijk is, moet een verdeelstuk worden gebruikt zodat het koudemiddel van verschillende onderdelen van het systeem kan worden verwijderd.
- f) Zorg ervoor dat de cilinder op de weegschaal staat voordat het koudemiddel wordt opgevangen.
- g) Start de opvangmachine en bedien deze volgens de instructies van de fabrikant.
- h) Vul de cilinders niet te veel. (Niet meer dan 80% van het vloeistofvolume)
- i) Overschrijd de maximale werkdruk van de cilinder niet, zelfs niet tijdelijk.
- j) Als de cilinders correct zijn gevuld en het proces is voltooid, moeten de cilinders en het apparaat snel van de locatie worden verwijderd en moeten alle isolatieventielen op het apparaat worden afgesloten.
- k) Verzameld koudemiddel mag pas voor een ander koudemiddelsysteem worden gebruikt, als het is schoongemaakt en gecontroleerd.

10. Labeling

Het apparaat moet worden voorzien van een label waarop staat vermeld dat het apparaat is ontmanteld en dat het koudemiddel is verwijderd. Het label moet worden gedateerd en ondertekend. Zorg ervoor dat er labels op de cilinders aanwezig zijn met vermelding dat de cilinders ontvlambaar koudemiddel bevatten.

11. Herstel

Bij het opvangen van koudemiddel van een systeem, voor zowel onderhoud als ontmanteling, moeten alle koudemiddelen op een veilige manier worden verwijderd. Wanneer koudemiddel wordt opgevangen in cilinders mogen alleen geschikte cilinders voor koudemiddel worden gebruikt. Zorg dat u het nodige aantal cilinders hebt om alle koudemiddel te kunnen bewaren. Alle cilinders die worden gebruikt, zijn bestemd voor het opvangen van koudemiddel en moeten als zodanig worden gelabeld (d.w.z. speciale cilinders voor het opvangen van koudemiddel). De cilinders moeten compleet zijn, met een overdrukventiel en afsluitventielen, en alle onderdelen moeten in goede staat verkeren. Lege opvangcilinders moeten met een vacuümpomp worden geleegd en, indien mogelijk, worden gekoeld vóór het opvangen van het koudemiddel. De opvangapparatuur moet zich in een goede staat bevinden, voorzien zijn van instructies en geschikt zijn voor het opvangen van ontvlambare koudemiddelen. Daarnaast moet er een gekalibreerde weegschaal aanwezig zijn die in goede staat verkeert. Slangen moeten intact zijn, compleet met lekvrije en juist werkende koppelstukken. Controleer vóór gebruik of de opvangmachine in een goede staat verkeert, goed is onderhouden en dat alle elektrische componenten zijn afgedicht om ontsteking te voorkomen in geval koudemiddel vrijkomt. In geval van twijfel, neem contact op met de fabrikant. Lever het teruggewonnen koudemiddel in bij uw leverancier van koudemiddel, in de juiste cilinder en voorzien van de relevante documentatie. Meng geen koudemiddelen in opvangunits en, in het bijzonder, niet in cilinders. Als er compressoren of compressorolie moeten worden verwijderd, moet de olie tot een acceptabel niveau worden afgezogen met een vacuümpomp, zodat er geen ontvlambaar koudemiddel in de olie achterblijft. Het vacuümproces moet vóór retournering van de compressor aan de leverancier worden uitgevoerd. Om dit proces te versnellen mag de compressorbehuizing uitsluitend elektrisch worden verwarmd. Olie moet altijd voorzichtig uit een systeem worden verwijderd.

Competentie van het onderhoudspersoneel

Algemeen

Speciale opleiding naast de gebruikelijke reparatieprocedures voor koelapparatuur is nodig wanneer het apparaat met ontvlambaar koudemiddel betreft.

In vele landen wordt deze opleiding gegeven door nationale opleidingsorganisaties die geaccrediteerd zijn om de relevante nationale competentienormen, die wettelijk vastgelegd kunnen zijn, bij te brengen.

De behaalde competentie moet in een certificaat zijn vastgelegd.

Opleiding

De opleiding moet het volgende bevatten:

Informatie over het explosiepotentieel van ontvlambare koudemiddelen om aan te tonen dat ontvlambare stoffen gevaarlijk kunnen zijn wanneer ze verkeerd worden behandeld.

Informatie over mogelijke ontstekingsbronnen, in het bijzonder deze die niet vanzelfsprekend zijn, zoals aanstekers, lichtschakelaars, stofzuigers, elektrische verwarmingstoestellen.

Informatie over de verschillende veiligheidsconcepten:

Ongeventileerd – De veiligheid van het apparaat is niet afhankelijk van de ventilatie van de behuizing. Het uitschakelen van het apparaat of het openen van de behuizing heeft geen beduidend gevolg voor de veiligheid. Het is echter mogelijk dat er lekkend koudemiddel in de behuizing ophoopt en er een ontvlambare atmosfeer bij het openen van de behuizing vrijkomt.

Geventileerde behuizing – De veiligheid van het apparaat is afhankelijk van de ventilatie van de behuizing. Het uitschakelen van het apparaat of het openen van de behuizing heeft geen beduidend gevolg voor de veiligheid. De ventilatie van de ruimte mag tijdens de reparatieprocedures niet worden uitgeschakeld.

Geventileerde ruimte – De veiligheid van het apparaat is afhankelijk van de ventilatie van de ruimte. Het uitschakelen van het apparaat of het openen van de behuizing heeft geen beduidend gevolg voor de veiligheid. De ventilatie van de ruimte mag tijdens de reparatieprocedures niet worden uitgeschakeld.

Informatie over het concept van afgedichte componenten en afgedichte behuizingen overeenkomstig IEC 60079- 15:2010.

Informatie over de juiste werkprocedures:

a) Inbedrijfstelling

- Zorg dat het vloeroppervlak voldoende groot is voor het koudemiddel of dat de ventilatieslang op een juiste manier is aangebracht.
- Sluit de leidingen aan en voer een lekttest uit voordat u het apparaat met koudemiddel vult.
- Controleer de veiligheidsapparatuur alvorens het apparaat in bedrijf te stellen.

b) Onderhoud

- Repareer draagbare apparatuur buiten of in een werkplaats die specifiek is bestemd voor het repareren van apparaten met ontlambaar koudemiddel.
- Zorg voor voldoende ventilatie in de werkplaats.
- Storing van de apparatuur kan optreden door verlies van koudemiddel en een koudemiddellek is mogelijk.
- Gooi condensatoren op een juiste manier weg zodat er geen vonkvorming mogelijk is. De standaardprocedure om de aansluitklemmen van condensatoren kort te sluiten veroorzaakt over het algemeen vonken.
- Breng de afgedichte behuizingen opnieuw op een juiste manier aan. Als de afdichtingen versleten zijn, vervang ze.
- Controleer de veiligheidsapparatuur alvorens het apparaat in bedrijf te stellen.

c) Reparatie

- Repareer draagbare apparatuur buiten of in een werkplaats die specifiek is bestemd voor het repareren van apparaten met ontlambaar koudemiddel.
- Zorg voor voldoende ventilatie in de werkplaats.
- Storing van de apparatuur kan optreden door verlies van koudemiddel en een koudemiddellek is mogelijk.
- Gooi condensatoren op een juiste manier weg zodat er geen vonkvorming mogelijk is.
- Als soldeerwerkzaamheden nodig zijn, voer de volgende procedures in de juiste volgorde uit:
 - Verwijder het koudemiddel. Als terugwinning door de nationale regelgeving niet vereist is, voer het koudemiddel naar buiten af. Zorg dat het afgevoerde koudemiddel geen gevaar oplevert. In geval van twijfel, laat een persoon toezicht op de uitlaat houden. Zorg ervoor dat er geen afgevoerd koudemiddel opnieuw in het gebouw stroomt.
 - Zuig het koudemiddelcircuit vacuüm.
 - Spoel het koudemiddelcircuit gedurende 5 minuten met stikstof.
 - Zuig het circuit opnieuw vacuüm.
 - Verwijder de te vervangen onderdelen door ze af te snijden, en niet met gebruik van een vlam.
 - Spoel het soldeerpunt met stikstof tijdens de soldeerprocedure.
 - Voer een lekttest uit voordat u het apparaat met koudemiddel vult.
- Breng de afgedichte behuizingen opnieuw op een juiste manier aan. Als de afdichtingen versleten zijn, vervang ze.
- Controleer de veiligheidsapparatuur alvorens het apparaat in bedrijf te stellen.

d) Ontmanteling

- Als de veiligheid wordt aangetast tijdens het buiten dienst stellen van de apparatuur, verwijder het koudemiddel voordat u start met de ontmanteling.
- Zorg voor voldoende ventilatie in de ruimte waar de apparatuur zich bevindt.
- Storing van de apparatuur kan optreden door verlies van koudemiddel en een koudemiddellek is mogelijk.
- Gooi condensatoren op een juiste manier weg zodat er geen vonkvorming mogelijk is.

- Verwijder het koudemiddel. Als terugwinning door de nationale regelgeving niet vereist is, voer het koudemiddel naar buiten af. Zorg dat het afgevoerde koudemiddel geen gevaar oplevert. In geval van twijfel, laat een persoon toezicht op de uitlaat houden. Zorg ervoor dat er geen afgevoerd koudemiddel opnieuw in het gebouw stroomt.
- Zuig het koudemiddelcircuit vacuüm.
- Spoel het koudemiddelcircuit gedurende 5 minuten met stikstof.
- Zuig het circuit opnieuw vacuüm.
- Vul tot aan de atmosferische druk met stikstof.
- Breng een label op de apparatuur aan met de vermelding dat het koudemiddel is verwijderd.

e) Verwijdering

- Zorg voor voldoende ventilatie in de werkplaats.
- Verwijder het koudemiddel. Als terugwinning door de nationale regelgeving niet vereist is, voer het koudemiddel naar buiten af. Zorg dat het afgevoerde koudemiddel geen gevaar oplevert. In geval van twijfel, laat een persoon toezicht op de uitlaat houden. Zorg ervoor dat er geen afgevoerd koudemiddel opnieuw in het gebouw stroomt.
- Zuig het koudemiddelcircuit vacuüm.
- Spoel het koudemiddelcircuit gedurende 5 minuten met stikstof.
- Zuig het circuit opnieuw vacuüm.
- Snij de compressor uit en voer de olie af.

Transport, markering en opslag van apparaten die ontvlambaar koudemiddel gebruiken

Transport van apparatuur die ontvlambaar koudemiddel bevat

Opgelet! Extra transportvoorschriften kunnen gelden voor wat betreft apparatuur die ontvlambaar gas bevat. Het maximum aantal apparaten of de samenstelling van de apparatuur die samen mag worden opgeslagen wordt bepaald door de geldende transportvoorschriften.

Markering van apparatuur met behulp van aanduidingen

Aanduidingen voor gelijksoortige apparaten, die in een werkgebied worden gebruikt, worden over het algemeen bepaald door de lokale regelgeving en geven de minimum voorschriften inzake veiligheids- en/of gezondheidssignalering op het werk aan.

Alle vereiste aanduidingen moeten in een goede staat worden gehouden en de werkgevers moeten ervoor zorgen dat de werknemers gepaste en voldoende instructies en opleiding krijgen over de betekenis van de gepaste veiligheidsaanduidingen en de uit te voeren handelingen die met deze aanduidingen verband houden. De doeltreffendheid van de aanduidingen mag niet afnemen door het aanbrengen van te veel aanduidingen op een bepaalde plaats.

De gebruikte pictogrammen moeten zo eenvoudig mogelijk zijn en alleen essentiële details bevatten.

Afdanking van apparatuur die ontvlambare koudemiddelen gebruiken.

Zie de nationale wetgeving.

Opslag van apparatuur

De opslag van apparatuur moet in overeenstemming zijn met de instructies van de fabrikant.

Opslag van verpakte (niet-verkochte) apparatuur

De opslagverpakking moet zodanig worden beschermd dat mechanische beschadiging van de apparatuur in de verpakking niet kan resulteren in lekkage van het koudemiddel.

Het maximum aantal apparaten dat samen mag worden opgeslagen wordt bepaald door de lokale wetgeving.

Kiitämme tuotteemme hankkimisesta. Lue nämä käyttöohjeet huolellisesti ennen laitteen käyttöä asianmukaisen käytön varmistamiseksi.

TÄRKEITÄ OHJEITA:

Sähkölaitteita käytettäessä on aina noudatettava perusvarotoimenpiteitä tulipalon, sähköiskujen, palovammojen ja muiden tapaturmien välttämiseksi.

1. Lue nämä ohjeet ja säilytä ne. Huomio: käyttöoppaan kuvat ovat vain viitteellisiä.
2. Tätä laitetta voivat käyttää yli 8-vuotiaat lapset sekä henkilöt, joilla on alentuneet fyysiset, aistilliset tai henkiset kyvyt tai joilla ei ole kokemusta tai tietoa mikäli heitä valvotaan tai heille on annettu ohjeita laitteen turvallisesta käytöstä ja he ymmärtävät laitteen käyttöön liittyvät riskit.
3. Lapset eivät saa leikkiä laitteella.
4. Lapset eivät saa suorittaa puhdistusta tai huoltoa ilman valvontaa.
5. Jos virtajohto on vaurioitunut, se on korvattava valmistaja, sen palvelun agentti tai muu vastaava koulutettu henkilö, jotta vältetään vaara.
6. Laite on tarkoitettu vain sisäkäyttöön.
7. Älä käytä laitetta seuraavissa olosuhteissa: lähellä palolähdettä, lähellä mahdollisia öljyroiskeita, suorassa auringonpaisteessa, lähellä mahdollisia vesiroiskeita, kylpyammeen, pesualtaan, suihkun tai uima-altaan lähellä.
8. Älä työnnä sormia äläkä mitään puikkoja ilman ulostuloaukkoon. Varoita erityisesti lapsia näistä vaaroista.
9. Pidä laite pystyssä kuljetuksen ja varastoinnin aikana, jotta kompressori pysyy oikeassa asennossa.

10. Kytke laite aina pois päältä ja irrota pistoke pistorasiasta ennen laitteen puhdistamista tai siirtämistä.
11. Laitetta ei saa peittää tulipalovaaran takia.
12. Kaikkien ilmastointilaitteen yhteydessä käytettävien pistorasioiden on täytettävä paikalliset sähköturvallisuusvaatimukset. Tarkista vaatimukset tarvittaessa.
13. Laite on asennettava kansallisten johdotusmääräysten mukaisesti.
14. Tyyppitiedot ja sulakkeiden koot: T, 250 V AC, 3,15 A.
15. Ota yhteys valtuutettuun huoltoteknikkoon tämän laitteen korjaamiseksi tai huoltamiseksi.
16. Älä vedä, vääntele tai muokkaa virtajohtoa tai upota sitä veteen. Virtajohdon vetäminen tai väärinkäyttö voi vahingoittaa laitetta ja aiheuttaa sähköiskun.
17. Kansallisia kaasumääräyksiä on noudatettava.
18. Huollot on tehtävä ainoastaan laitteen valmistajan suositusten mukaan. Huolto ja korjaukset, jotka edellyttävät muun ammattitaitoisen henkilöstön apua, on suoritettava palavien kylmäaineiden käyttöön pätevän henkilön valvonnassa.
19. Älä käynnistä tai pysäytä laitetta virtajohdosta, sillä tästä voi seurata sähköisku tai tulipalo lämmön muodostumisen vuoksi.
20. Irrota laite pistorasiasta, jos laitteesta kuuluu erikoisia ääniä tai siitä tulee hajua tai savua.
21. Liitä laite aina maadoitettuun pistorasiaan.
22. Mikäli jokin vahinko tapahtuu, kytke laite pois päältä, irrota pistoke pistorasiasta ja ota yhteys valtuutettuun huoltoliikkeeseen korjausta varten.
23. Älä käytä sulatuksen nopeuttamiseen tai puhdistamiseen muita kuin valmistajan suosittelemia välineitä.
24. Laite on säilytettävä tilassa, jossa ei ole jatkuvasti toimivia sytytyslähteitä (esimerkiksi: avotulta, toimivaa kaasulaitetta tai toimivaa sähkölämmittintä).
25. Älä lävistä tai polta.

26. Huomioi, että kylmäaine voi olla hajutonta.
27. Tässä laitteessa on R290-kylmäainekaasua. R290 on eurooppalaisten ympäristödirektiivien mukainen kylmäainekaasu. Älä puhkaise mitään kylmäainepiirin osaa.
28. Jos laite asennetaan ilmastoimattomaan tilaan tai sitä käytetään tai varastoidaan tällaisessa tilassa, tila tulee suunnitella siten, että estetään kylmäainevuotojen kertyminen. Tällaiset kertymät voivat aiheuttaa tulipalo- tai räjähdysvaaran sähkölämmittimen, liedan tai muun sytytyslähteen sytyttäessä kylmäaineen.
29. Laite tulee varastoida siten, että sille ei aiheudu mekaanisia vaurioita.
30. Kylmäainepiiriä käyttävillä tai sen parissa työskentelevillä henkilöillä tulee olla akkreditoidulta organisaatiolta saatu sertifiointi, joka vahvistaa heidän pätevyytensä kylmäaineiden käsittelyssä alan järjestöjen tunnustaman arviointiasteikon mukaisesti.
31. Korjaukset tulee suorittaa valmistajan suositusten mukaisesti. Muuta pätevää henkilökuntaa vaativat huolto- ja korjaustyöt saa suorittaa vain palavien kylmäaineiden käsittelyyn pätevöidyn henkilön valvonnassa.
32. Lisäohjeita R290-kylmäainetta sisältävien laitteiden korjauksesta on seuraavissa kappaleissa.
33. Anna laitteen levätä aina vähintään 2 tuntia sen jälkeen, kun se on siirretty paikasta toiseen.



Varoitus: Tulipalovaara / palavia materiaaleja.



Lue käyttöohjeet.



Käyttöopas, käyttöohjeet.



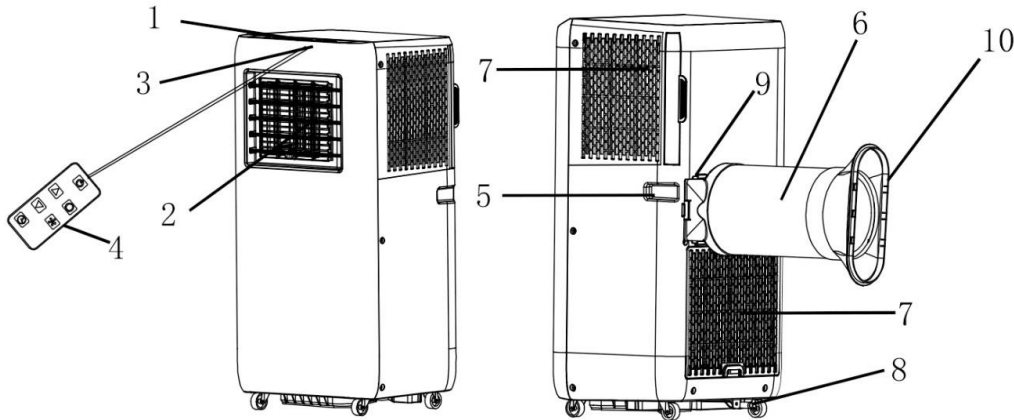
Huollon merkkivalo; lue tekninen käyttöopas.

Varoitus: Pidä tuuletusaukot vapaina esteistä.

Varoitus: Laitetta tulee varastoida hyvin ilmastoidussa tilassa, jonka koko vastaa käytön vaatimaa huonepinta-alaa. Vaaditun vapaan tilan laitteen ympärillä on oltava vähintään 30 cm.

Laitte tulee asentaa ja sitä tulee käyttää ja varastoida huoneessa, jonka pinta-ala on yli 4 m².

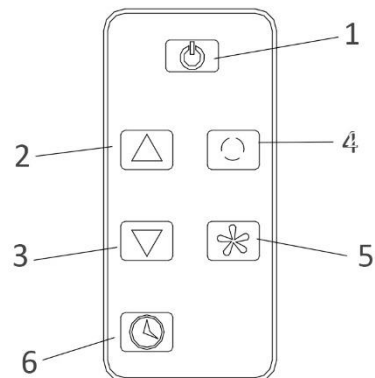
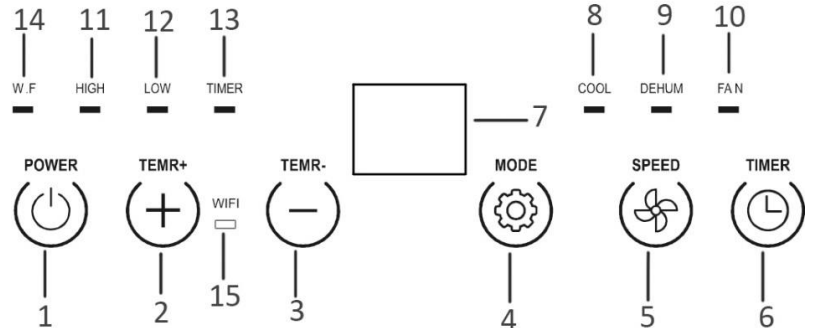
OSALUETTELO



1. Käyttöpaneeli
2. Ilmanpoistoaukko ja säleiköt
3. Signaalin vastaanotin
4. Kaukosäädin
5. Kahva
6. Ilman poistoletku
7. Ilmanotto ja ilmansuodatin
8. Tyhjennysportti (varustettu tulpalla)
9. Letkun liitäntä
10. Ikkunasovitin

Käyttöpaneeli ja kaukosäädin

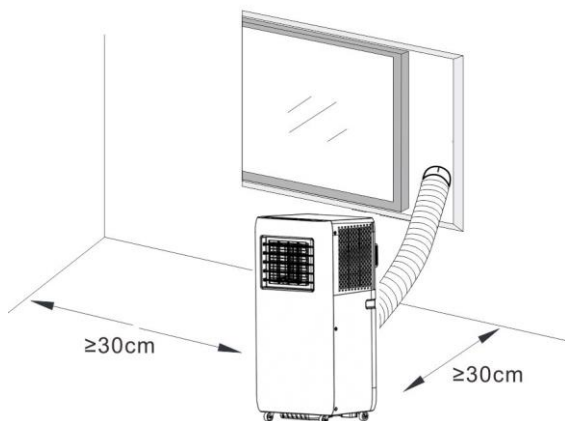
1. Virtapainike
2. Lämpötilan/ajastimen lisäspainike
3. Lämpötilan/ajastimen vähennyspainike
4. Tilapainike
5. Tuulettimen nopeuspainike
6. Ajastinpainike
7. Digitaalinen näyttö
8. Viilennystilan merkkivalo
9. Kosteudenpoistotilan merkkivalo
10. Tuuletintilan merkkivalo
11. Nopean nopeuden merkkivalo
12. Hitaan nopeuden merkkivalo
13. Ajastimen merkkivalo
14. Vesisäiliö täynnä -merkkivalo
15. Wi-Fi-merkkivalo



Laitteessa on kaukosäädin. Yksi CR2025-paristo tulee kaukosäätimen mukana. Ennen kuin aloitat kaukosäätimen käytön, poista suojamuovi paristosta. Jos haluat vaihtaa pariston, katso ohjeet kaukosäätimen takaa. Poista paristo kaukosäätimestä, jos sitä ei käytetä pitkään aikaan. Pidä nappiparistot poissa lasten ulottuvilta.

ASENTAMINEN

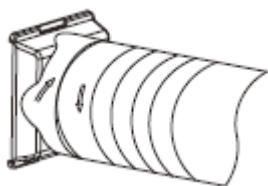
- Laite on asennettava tasaiselle pinnalle, jossa ilman poistoaukko ei tukkeudu. Vaadittu vapaa tila laitteen ympärillä on vähintään 30 cm.



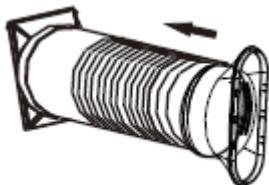
- Laitetta ei saa asentaa pesutupaan.
- Suorista ilmanpoistoletku vetämällä letkun molemmista päistä.



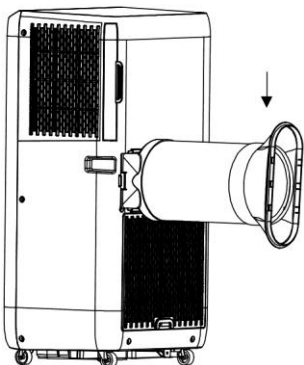
- Kierrä ilmanpoistoletku letkuliittimeen.



- Kierrä ilmanpoistoletkun toinen pää ikkunasovittimeen.



- Aseta letkuliitin laitteen takana olevaan kiinnikkeeseen.



KÄYTTÖ

*Anna laitteen levätä aina vähintään 2 tuntia sen jälkeen, kun se on siirretty paikasta toiseen.

Tarkista ennen käyttöä, että poistoletku on asennettu kunnolla. Kytke laite sähkövirtaan. Säleiköt voidaan säätää manuaalisesti.

1. Virtapainike

Kytke laite päälle painamalla virtapainiketta. Laite käynnistyy.

Painamalla painiketta uudelleen, laite kytkeytyy pois päältä.

2. Lämpötilan/ajastimen lisäyspainike ja lämpötilan/ajastimen vähennyspainike

Paina käyttöpaneelin “+”/ “-” -painikkeita tai kaukosäätimen “▲”/“▼” asettaaksesi halutun huoneenlämpötilan välillä 15 °C–31 °C. Painikkeita voidaan käyttää myös ajastimen ajan säätämiseen. Arvo nousee/laskee 1:llä (°C /tunti) jokaisella painalluksella.

3. Tuulettimen nopeuspainike

Säädä puhallusnopeus hitaaksi tai nopeaksi painamalla tuulettimen nopeuspainiketta. Vastaava merkkivalo ”HIDAS”/”NOPEA” palaa.

4. Tilapainike

Painamalla tilapainiketta voit valita haluamasi käyttötilan eli VIILENNYKSEN, KOSTEUDENPOISTON ja TUULETTIMEN. Vastaava merkkivalo palaa, kun tietty tila on valittuna.

• Viilennystila:

Kun huonelämpötila on korkeampi kuin asetettu lämpötila, kompressorikäynnistyy.

Kun huonelämpötila on alempi kuin asetettu lämpötila, kompressorikäynnistyy ja tuuletin käy asetetulla alkuperäisellä nopeudella.

Huomaa: Kun kompressorikäynnistyy, laite tärisee hieman. Tämä on normaalia ja vaaratonta.

• Kosteudenpoistotila

Kosteudenpoistotilassa tuuletin käy hitaalla nopeudella. Tuulettimen nopeutta ja lämpötilaa ei voi säätää.

Kompressorikäynnistyy käytyään 8 minuuttia, ja käynnistyy uudelleen 6 minuutin kuluttua, toiminto toistuu tällä tavalla.

• Tuuletintila

Kun tuuletin toimii asetetulla nopeudella, kompressorikäynnistyy.

Lämpötilan säätö ei ole toiminnassa tuuletintilassa.

5. Ajastinpainike

Automaattisen käynnistymisen asettaminen

- Kun laite on pois päältä, paina ajastinpainiketta, jolloin merkkivalo alkaa vilkkua.
- Painamalla ajastimen lisäys- tai vähennyspainiketta voit valita automaattisen käynnistymisen ajaksi 1–24 tuntia. Ajastimen merkkivalo vilkkuu useita sekunteja ja palaa sitten edelleen; digitaalinen näyttö sammuu. Ajastimen asetus on vahvistettu.
- Voit valita tuulettimen nopeuden tai tilan samanaikaisesti.
- Laite käynnistyy automaattisesti, kun valittu aika on kulunut umpeen.

Automaattisen sammumisen asettaminen

- Kun laite on päällä, paina ajastinpainiketta, ajastimen merkkivalo alkaa vilkkua.
- Painamalla ajastimen lisäys- tai vähennyspainiketta voit valita automaattisen sammumisen ajaksi 1–24 tuntia. Ajastimen merkkivalo vilkkuu muutaman sekunnin ajan ja palaa sitten edelleen. Ajastimen asetus on vahvistettu.
- Laite sammuu automaattisesti, kun valittu sammutusaika on kulunut umpeen.

Peruuta ajastin painamalla ajastinpainiketta, kun ajastimen merkkivalo vilkkuu, paina ajastinpainiketta uudelleen. Ajastimen merkkivalo sammuu silloin.

HUOMAA:

- Suojalaite voi laueta ja pysäyttää laitteen seuraavissa tilanteissa.

Viilennys	Huonelämpötila on yli 43 °C.
	Huonelämpötila on alle 15 °C.
Kuivatus	Huonelämpötila on alle 15 °C.

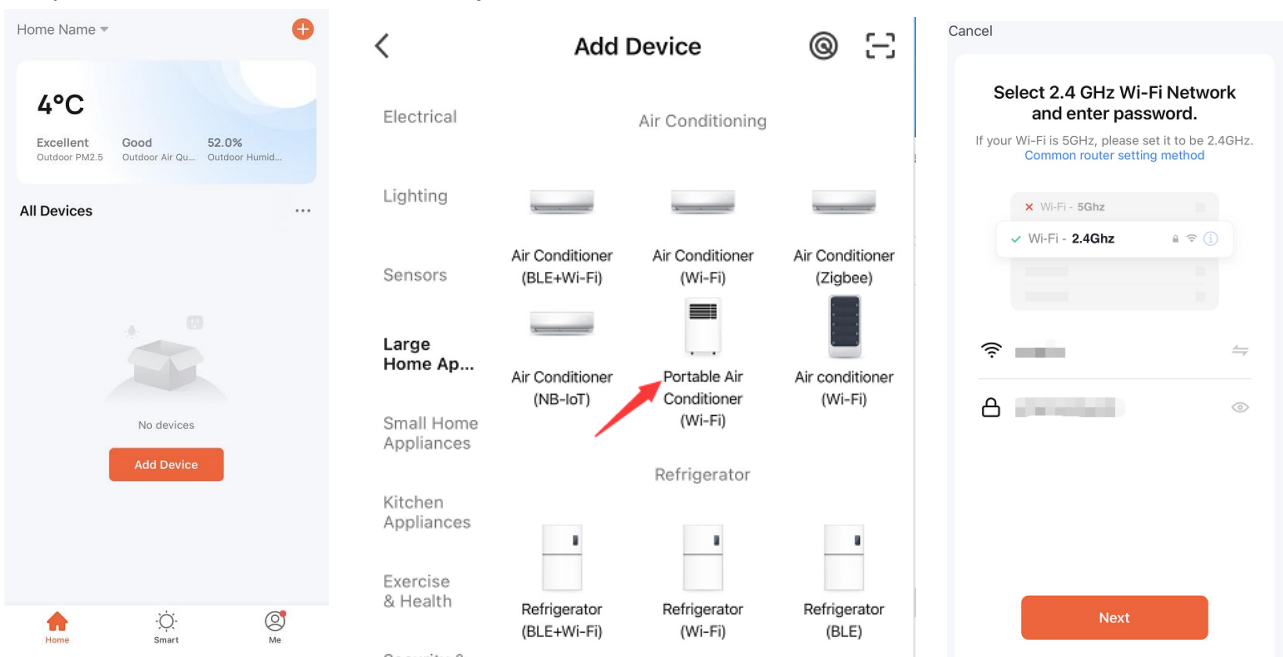
- Jos laite toimii viilennys- tai kuivatustilassa pitkään oven tai ikkunan ollessa auki, kun suhteellinen kosteus on yli 80 %, ilmanpoistoaukosta voi tippua kastepisaroiita.

Veden tyhjennys

- 1) Erikoismuistutus: Laitteessa kiertää kondenssivettä näkymättömissä. Kondenssivettä kierrätetään osittain lauhduttimen ja vesisäiliön välillä. Kun vedenkorkeus nousee ylemmälle tasolle, digitaalinen näyttö näyttää vesi täynnä -koodin "E4" muistuttamassa veden tyhjentämisestä.
- 2) Katkaise virta, siirrä laite sopivaan paikkaan, vedä tyhjennysporttiin tulppa irti, jotta vesi tyhjenee kokonaan. Jos olosuhteet sallivat, voit myös liittää tyhjennysletkun vedenpoistoaukkoon veden tyhjentämistä varten.
- 3) Aseta tyhjennyksen jälkeen tulppa takaisin tyhjennysporttiin, muuten laite saattaa vuotaa ja kastella huoneen.

Wi-Fi-yhteysopas (Sovelluksen opasta ei ehkä päivitetä säännöllisesti ohjelmistoversion päivityksen tai muiden syiden takia. Nämä ohjeet ovat vain viitteellisiä.):

1. Hae "Tuya Smart" -sovellusta App Storesta (iOS) tai Google Playstä (Android), lataa sovellus "Tuya Smart" puhelimeesi. Rekisteröi Tuya-tili tai kirjaudu sisään tilillesi.
2. Varmista, että laite on valmiustilassa. Paina tilapainiketta pitkään, kunnes kuulet äänimerkin. Wi-Fi-merkkivalo vilkkuu nopeasti.
3. Paina "+" oikeassa yläkulmassa tai painiketta "Lisää laite" Tuyan kotisivulla lisätäksesi laitteesi.
4. Etsi kategoria "Kannettava ilmastointilaitte". Paina sen kuvaketta ja saat kehoitteen, jossa sinua pyydetään käyttämään 2,4 GHz:n Wi-Fi-verkkoa. Huomaa, että tämä sovellus ei tue 5 GHz:n langatonta verkkoa.
5. Anna Wi-Fi-salasanasi ja muodosta yhteys Wi-Fi-verkkoon. Vahvasta, että Wi-Fi-merkkivalo vilkkuu nopeasti, paina "Seuraava", sovellus skannaa ja lisää laitteen.



6. Kun laite on lisätty onnistuneesti, Wi-Fi-merkkivalo palaa edelleen.
7. Nyt voit käyttää laitetta sovelluksen avulla.

Huomaa:

- Paina tilapainiketta sovelluksessa, niin sinulla on "Viilennys, kuivaus ja tuuletus". Kuivaustila on sama kuin kosteudenpoistotila.
- Kosketa lämpötilanäyttöä vaihtaaksesi Fahrenheit- ja Celsius-asteikkojen välillä.
- Kun laitteen verkkoympäristöä on muutettu, se on määritettävä uudelleen.

- Voit kytkeä Wi-Fi-toiminnon päälle/pois päältä painamalla pitkään käyttöpaneelin tilapainiketta, kun laite on valmiustilassa. Kun Wi-Fi-merkkivalo vilkkuu nopeasti, laite odottaa pariliitoksen muodostamista. Kun Wi-Fi-merkkivalo palaa edelleen, Wi-Fi on yhdistetty. Kun Wi-Fi-merkkivalo sammuu, Wi-Fi on kytketty pois päältä.

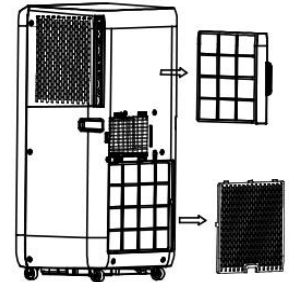
PUHDISTUS JA KUNNOSSAPITO

- Varmista, että laite on irrotettu pistorasiasta ennen puhdistusta.
- Älä käytä laitteen puhdistamiseen bensiiniä äläkä muita kemikaaleja.
- Älä pese laitetta suoraan vedellä.
- Jos laite on vahingoittunut, ota yhteys jälleenmyyjään tai huoltoliikkeeseen.

Ilmansuodatin

Jos ilmansuodatin tukkeutuu pölystä/liasta, se on puhdistettava kahden viikon välein.

- Vedä ilmansuodattimet ulos vetokielekkeestä.
- Puhdista ilmansuodatin neutraalilla puhdistusaineella haaleassa vedessä (40 °C) ja kuivata se varjossa.
- Asenna ilmansuodatin takaisin.



Pinnan puhdistaminen

Puhdista pinta ensin neutraalilla puhdistusaineella ja märällä liinalla, ja pyyhi lopuksi kuivalla liinalla.

VIANMÄÄRITYS

Seuraavat tapaukset eivät välttämättä aina ole toimintahäiriöitä, tarkista alla olevat ehdotukset ennen kuin pyydät huoltoa.

Touble	Analyysi
Ei toimi	<ul style="list-style-type: none"> • Jos suojus laukeaa tai sulake on palanut. • Odota 3 minuuttia ja käynnistä uudelleen, sillä suojalaite saattaa estää laitetta toimimasta. • Jos kaukosäätimen paristot ovat lopussa. • Jos pistoketta ei ole kytketty kunnolla.
Toimii vain hetken	<ul style="list-style-type: none"> • Jos asetettu lämpötila on lähellä huoneenlämpötilaa, voit laskea asetettua lämpötilaa. • Este tukkii ilmanpoiston. Poista este.
Vesivuoto siirron aikana	<ul style="list-style-type: none"> • Tyhjennä kondenssivesi ennen siirtämistä. • Vältä vesivuoto sijoittamalla laite tasaiselle alustalle.
Ei toimi ja vesisäiliön täyttymisen merkkivalossa palaa "E4"	<ul style="list-style-type: none"> • Vedä tyhjennysveden kumitulppa irti. • Jos se on usein tässä tilassa, ota yhteyttä pätevään huoltoteknikkoon.
Laite pysähtyy automaattisesti	<ul style="list-style-type: none"> • Ajoitus keskeytyy • Asetettu lämpötila saavutettu

TEKNISET TIEDOT

Alla tietoja käytön avuksi

Malli	PAC-127277
Nimellisjännite	220-240V
Nimellistaajuus	50Hz
Nimellistulojännite	750W
Nimellisvirta	3.4A
Viilennysteho	7000BTU
Kosteudenpoisto (l/t)	0.8

Ilmavirta	270m ³ /h
Maksimi lähetysteho:	17.5dBm
Taajuusalue	2412-2472MHz

Emerio vakuuttaa yksinomaan omalla vastuullaan, että tuote: PAC-127277 on radiolaitedirektiivin (RED) 2014/53/EU olennaisten vaatimusten ja muiden sitä koskevien ehtojen mukainen.

CE-vakuutuksen täysimittainen teksti on saatavilla osoitteessa: www.emerio.eu

ERP-TIEDOT

	Arvo
Tavaramerkki	Emerio
Mallin tunnistustiedot	PAC-127277
Äänitehotaso (viilennys)	64dB(A)
Kylmäaineen nimi	R290
Nimellisottoteho viilennyksessä (kW)	0.755
Nimelliskylmäkerroin	2.7
GWP (kgCO ₂ eq)	3
Energiatohokkuusluokka	A
Kaksikanavaisten laitteiden energiankulutus (kWh/t)	-
Yksikanavaisten laitteiden energiankulutus (kWh/t)	0.755
Tehonkulutus termostaatti pois päältä -tilassa (W)	-
Tehonkulutus valmiustilassa (W)	0.85
Viilennysteho	7000BTU
<p>Kylmäainevuodot vaikuttavat ilmastonmuutokseen. Kylmäaineen, jolla on alhaisempi ilmakehän lämmitysvaikutuspotentiaali (GWP), ilmastonmuutosvaikutus olisi pienempi kuin korkeamman GWP-arvon kylmäaineen, jos kylmäainetta pääsisi ilmakehään. Tämä laite sisältää kylmäainetta, jonka GWP-arvo on 3. Tämä tarkoittaa, että jos yksi kilo tätä kylmäainetta pääsisi ilmakehään, sen vaikutus ilmaston lämpenemiseen olisi 3 kertaa suurempi kuin yhdellä kilolla hiilidioksidia 100 vuoden ajanjaksolla. Älä koskaan yritä kajota kylmäainepiiriin tai purkaa tuotetta omin päin, vaan pyydä aina ammattilaisen apua.</p> <p>#Energiankulutus 0.755 kWh malleilla PAC-127277 60 minuutin käytön aikana normaaleissa koeolosuhteissa. Todellinen energiankulutus riippuu laitteen käyttötavasta ja sijaintipaikasta.</p> <p>Lisätietoja saat ottamalla yhteyttä osoitteella: Emerio International AB Smedjegatan 6 131 54 Nacka Sweden</p>	

TAKUU JA ASIAKASPALVELU

Laitteet tarkastetaan huolellisesti, ennen kuin ne toimitetaan jälleenmyyntiin. Jos laite on kaikesta huolimatta vioittunut tuotannon tai kuljetuksen aikana, palauta se jälleenmyyjälle. Laissa säädettyjen oikeuksien lisäksi ostajalla on oikeus seuraaviin takuukorvauksiin:

Laitteella on 2 vuoden takuu ostopäivästä lukien. Viallisen tuotteen voi palauttaa suoraan ostopaikkaan.

Takuu ei kata vikoja, jotka aiheutuvat laitteen virheellisestä käsittelystä, ulkopuolisten suorittamista muutoksista tai korjauksista tai muiden kuin alkuperäisosien asentamisesta laitteeseen.


Säilytä aina ostokuitti, sillä ilman kuittia et voi vaatia takuukorvauksia. Takuu ei kata vikoja ja niistä aiheutuneita esine- tai henkilövahinkoja, jos ne ovat seurausta käyttöohjeiden noudattamatta jättämisestä.

Myöskään valmistaja ei ole tällöin vastuussa. Lisävarusteiden vioittuminen ei oikeuta koko laitteen vaihtamiseen. Kyseisissä tapauksissa kannattaa ottaa yhteyttä valmistajan asiakaspalveluun. Rikkoontuneiden lasi- tai muoviosien korjaus tai vaihto ei kuulu takuuseen. Kuluvien osien vikojen korjaus, puhdistus, huolto ja vaihto eivät kuulu takuuseen.

YMPÄRISTÖYSTÄVÄLLINEN HÄVITTÄMINEN



Kierrätys – eurooppalainen direktiivi 2012/19/EY

Tämä merkintä ilmaisee, että tätä tuotetta ei saa hävittää kotitalousjätteiden mukana. Jotta jätteiden virheellisestä hävittämisestä ei aiheutuisi vaaraa ympäristölle tai terveydelle, kierrätä  tuote vastuullisesti. Siten edistät myös uusiutumattomien luonnonvarojen kestävää uudelleenkäyttöä. Kierrätä tuote toimittamalla se sähkö- ja elektroniikkaromua vastaanottavaan kierrätyspisteeseen tai liikkeeseen, josta ostit sen. Siten varmistat, että se kierrätetään turvallisesti.



PARISTOT TULEE VIEDÄ KIERRÄTYKSEEN TAI HÄVITTÄÄ ASIANMUKAISESTI. ÄLÄ AVAA. ÄLÄ HEITÄ ROSKIIN TAI TULEEN TAI OIKOSULJE NIITÄ.

OHJEET R290-KYLMÄAINETTA SISÄLTÄVIEN LAITTEIDEN KORJAAMISEKSI

1. Huolto

1) Alueen tarkastukset

Ennen työskentelyn aloittamista helposti syttyvien kylmäainekaasujen kanssa on suoritettava turvallisuustarkastukset, jotta voidaan varmistaa, että syttymisriski on minimoitu. Seuraavat varotoimenpiteet on suoritettava jäähdytysjärjestelmää korjattaessa ennen työskentelyä järjestelmän kanssa.

2) Menettelytavat

Työn tulee olla valvonnan alla, jotta voidaan minimoida riski joutua alttiiksi helposti syttyvälle kaasulle tai höyrylle korjauksen aikana.

3) Yleinen työskentelyalue

Kunnossapitohenkilöstölle ja kaikille muille paikallisella alueella työskenteleville on annettava ohjeet suoritettavan työn luonteesta. Työskentelyä suljetussa tilassa on vältettävä. Työtila ja ympäröivä alue on erotettava toisistaan. Varmista, että alueen olosuhteet on tehty turvallisiksi hallitsemalla palavia aineita.

4) Kylmäaineen tarkastus

Työskentelyalue tulee tarkastaa asianmukaisella kylmäaineen ilmaisimella ennen työn aloittamista ja sen aikana, jotta tekniikko on tietoinen mahdollisesti syttyvästä ilmasta. Varmista, että käytetty vuotojen havaitsemislaitte on sopiva käytettäväksi syttyvien kylmäaineiden kanssa, toisin sanoen kipinöimätön, riittävän suljettu tai luonnostaan turvallinen.

5) Palosammutin

Jos jäähdytyslaitteille tai niihin liittyville osille on tarkoitus tehdä kuumatöitä, asianmukaisten sammutuslaitteiden on oltava käytettävissä. Pidä kuivajauhesammutin tai hiilidioksidisammutin lähellä latausaluetta.

6) Ei sytytysläheteitä

Kun tehdään jäähdytysjärjestelmään liittyviä töitä, joihin sisältyy sellaisen putkiston paljastaminen, joka sisältää tai jossa on ollut tulenarkaa kylmäainetta, mitään sytytysläheteitä ei saa käyttää tavalla, joka voi johtaa tulipalon tai räjähdysvaaraan. Kaikki mahdolliset sytytysläheteet, mukaan lukien savukkeet, on pidettävä riittävän loitolla asennus-, korjaus-, poisto- ja hävityspaikasta, jossa tulenarkaa kylmäainetta saattaa joutua ympäröivään tilaan. Ennen kuin työhön ryhdytään, laitteistoa ympäröivä alue on tutkittava ja varmistettava, että tulipalon tai syttymisen vaaraa ei ole. ”Tupakointi kielletty”-kyltit on oltava esillä.

7) Ilmastoitu alue

Varmista, että alue on avoin tai riittävästi ilmastoitu, ennen kuin avaat järjestelmän tai teet tulitöitä. Riittävästä ilmanvaihdosta on huolehdittava työn suorittamisen ajan. Ilmanvaihdon on hävitettävä turvallisesti kaikki haihtunut kylmäaine ja mieluiten poistettava se ulkoisesti ilmakehään.

8) Jäähdytyslaitteiston tarkastukset

Kun sähkökomponentteja vaihdetaan, niiden on sovittava käyttötarkoitukseen ja niiden määritysten on oltava oikeat. Valmistajan ylläpito- ja huolto-ohjeita on aina noudatettava. Käänny valmistajan teknisen osaston puoleen, jos olet epävarma.

Seuraavat tarkastukset on tehtävä kokoonpanoille, joissa on tulenarkoja kylmäaineita

- Täyttömäärä on sen huoneen koon mukainen, johon kylmäainetta sisältävät osat asennetaan;
- Ilmanvaihtokoneisto ja lähdöt toimivat oikein eivätkä ole tukkeutuneet;
- Jos käytetään epäsuoraa kylmäainepiiriä, on tarkistettava, onko toisiopiirissä kylmäainetta;
- Laitteen merkinnät ovat näkyvissä ja selkeästi luettavissa. Epäselvät merkinnät ja kyltit on korjattava;
- Kylmäaineputki tai komponentit asennetaan paikkaan, jossa ne eivät todennäköisesti altistu millekään aineelle, joka voi syövyttää kylmäainetta sisältäviä komponentteja, paitsi jos komponenttien materiaali kestää luontaisesti korroosiota tai jos ne on kunnolla suojattu korroosiolta.

9) Sähkölaitteille tehtävät tarkistukset

Sähkökomponenttien korjaukseen ja huoltoon on sisällyttävä alkuturvallisuustarkastukset ja komponenttien tarkastusmenettelyt. Jos vika voi vaarantaa turvallisuuden, sähkönsyöttöä ei saa kytkeä piiriin, ennen kuin vika on asianmukaisesti hoidettu. Ellei vikaa voida korjata välittömästi mutta se on toiminnan jatkamisen edellytys, on käytettävä riittävää tilapäistä ratkaisua. Laitteiston omistajalle on ilmoitettava tai raportoitava, jotta kaikki osapuolet ovat tietoisia tilanteesta. Alkuturvallisuustarkastuksiin kuuluvat seuraavat:

- Tarkista, että kondensaattorit ovat purkautuneet: se on tehtävä turvallisesti, jotta voidaan välttää kipinöiden vaara;
- Tarkista, että jännitteiset sähkökomponentit ja johdot eivät ole altistuneina järjestelmän täytön, palautuksen tai tyhjennyksen aikana;
- Tarkista maadoitusliitännän jatkuvuus.

2. Tiivistettyjen komponenttien korjaukset

- 1) Korjattaessa tiivistettyjä komponentteja kaikki sähkönsyötöt on irrotettava käsiteltävästä laitteistosta, ennen kuin tiivistettyjä kansia jne. irrotetaan. Laitteistoon tarvitaan ehdottomasti sähkönsyöttö huollon ajaksi. Sitten pysyvästi toimiva vuodontunnistin on sijoitettava kriittisimpään pisteeseen varoittamaan mahdollisesti vaarallisesta tilanteesta.
- 2) Erityistä huomiota on kiinnitettävä seuraaviin seikkoihin sen varmistamiseksi, että työskenneltäessä sähkökomponenteilla koteloa ei muuteta tavalla, joka vaikuttaisi suojauksen tasoon. Tähän sisältyvät kaapelien vauriot, liiallinen liitännöiden määrä, liitännät, joita ei ole tehty alkuperäisten määritysten mukaisesti, vaurioituneet tiivisteet, virheellinen tiivistysholkkien asennus jne.

Varmista, että laite on asennettu turvallisesti. Varmista, että tiivisteet tai tiivistysmateriaalit eivät ole heikentyneet niin, etteivät ne enää estä tulenaran ilman sisään pääsyä. Vaihto-osien on oltava valmistajan määritysten mukaisia.

HUOMAA: Silikonitiivisteiden käyttö voi estää tietyntyyppisten vuodonilmaisinten tehokkuuden. Luontaisesti turvallisia komponentteja ei tarvitse eristää ennen kuin niille voidaan tehdä toimenpiteitä.

3. Luontaisesti turvallisten komponenttien korjaus

Älä kohdistu pysyvästi induktiivisia kuormia tai kapasitanssikuormia piiriin varmistamatta, että käytetyn laitteen sallittu jännite ja virta eivät ylitä. Luontaisesti turvalliset komponentit ovat ainoat tyypit, joilla voidaan tehdä töitä jännitteisinä tulenarassa ilmakehässä. Testilaitteen luokituksen on oltava oikea. Vaihda osat vain valmistajan määrittämiin osiin. Muut osat voivat aiheuttaa kylmäaineen syttymisen ilmakehässä vuoto-tilanteessa.

4. Johdotus

Tarkista, että johtoihin ei kohdistu kulumista, korroosiota, liiallista painetta, tärinää, teräviä reunoja tai muita haitallisia ympäristövaikutuksia. Tarkistuksessa on otettava huomioon ikääntymisen tai jatkuvan tärinän vaikutus kompressoreista, puhaltimista tai muista lähteistä.

5. Tulenarkojen kylmäaineiden tunnistus

Missään olosuhteissa mahdollisia sytytyslähdeitä ei saa käyttää kylmäainevuotojen hakemiseen tai tunnistukseen. Vuotolamppua (tai muuta avotulta käytettävää ilmaisinta) ei saa käyttää.

6. Vuodonetsintämenetelmät

Seuraavia vuodonetsintämenetelmiä pidetään hyväksyttävänä järjestelmissä, jotka sisältävät tulenarkoja kylmäaineita.

Sähköisiä vuodonilmaisimia on käytettävä tulenarkojen kylmäaineiden vuotojen havaitsemiseen, mutta niiden herkkyys ei välttämättä riitä tai ne on kalibroitava uudelleen (Ilmaisinlaitteet on kalibroitava alueella, joka ei sisällä kylmäaineita.) Varmista, että ilmaisimien ei ole mahdollinen sytytyslähde ja että se soveltuu käytetyille

kylmäaineelle. Vuodonilmaisinaltisteisto on asennettava kylmäaineen LFL-rajalle, kalibroitava käytetylle kylmäaineelle ja asianmukainen kaasupitoisuus (enintään 25 %) on vahvistettava. Vuodonilmaisinnesteet soveltuvat käytettäväksi useimpien kylmäaineiden kanssa, mutta klooria sisältävien kylmäaineiden käyttöä on vältettävä, sillä kloori voi reagoida kylmäaineen kanssa ja syövyttää kupariputket. Jos vuotoa epäillään, avotuli on poistettava/sammutettava. Jos havaitaan kylmäainevuoto, joka edellyttää juottamista, kaikki kylmäaine on kerättävä talteen järjestelmästä tai eristettävä (katkaisuventtiileillä) osana järjestelmää etäällä vuodosta. Järjestelmä on sitten huuhdeltava hapettomalla tyypellä (OFN) sekä ennen juotosprosessia että sen aikana.

7. Poisto ja tyhjennys

Kun avaat kylmäainejärjestelmän korjausten tekemistä varten, tai mihinkään muuhun tarkoitukseen, tavanomaisia menettelyjä on noudatettava. Tulenarkuuden vuoksi on kuitenkin tärkeää noudattaa parhaita käytäntöjä. Seuraavia ohjeita on noudatettava:

- Poista kylmäaine;
- Huuhtelee piiri inertillä kaasulla;
- Tyhjennä;
- Huuhtelee taas inertillä kaasulla;
- Avaa piiri leikkaamalla tai juottamalla.

Kylmäainekuorma on kerättävä oikeisiin talteenottosylintereihin. Järjestelmä on "huuhdeltava" hapettomalla tyypellä, jotta yksikkö on turvallinen. Tämä prosessi on ehkä toistettava useita kertoja. Tähän työhön ei saa käyttää paineilmaa eikä happea. Huuhtelussa on rikottava järjestelmän alipaine hapettomalla tyypellä (OFN) ja jatkettava täyttöä, kunnes toimintapaine saavutetaan, sitten ilmattava ilmakehään ja lopulta taas luotava alipaine. Tämä prosessi on toistettava, kunnes järjestelmässä ei ole kylmäainetta. Kun lopullista OFN-täyttöä käytetään, järjestelmä on ilmattava ilmakehän paineeseen, jotta toiminta onnistuu. Tämä toimenpide on ehdottoman tärkeä, jos putkistolle on määrä tehdä juottotoimia. Varmista, että tyhjiöpumpun lähdön lähellä ei ole sytytyslähteitä ja että ilmanvaihdosta on huolehdittu.

8. Täyttötoimenpiteet

Tavallisten täyttötoimenpiteiden lisäksi on noudatettava seuraavia vaatimuksia.

- Varmista, että eri kylmäaineet eivät pääse sekoittumaan, kun käytät täyttövälineitä. Letkujen tai putkien on oltava mahdollisimman lyhyitä, jotta niiden sisältämä kylmäainemäärä voidaan pitää mahdollisimman pienenä.
- Sylinterit on pidettävä pystyasennossa.
- Varmista, että jäähdytysjärjestelmä on maadoitettu, ennen kuin lisäät järjestelmään kylmäainetta.
- Merkitse järjestelmä, kun täyttö on suoritettu (ellei niin ole jo tehty).
- Varo erityisen tarkasti jäähdytysjärjestelmän ylitäyttöä.

Ennen kuin täytät järjestelmän, se on painetestattava hapettomalla tyypellä OFN. Järjestelmälle on tehtävä vuototesti täytön jälkeen ja ennen käyttöönottoa. Seurantavuototesti on tehtävä ennen kohteesta poistumista.

9. Käytöstä poisto

Ennen tämän toimenpiteen suorittamista tekniikon on tunnettava kokonaisuudessaan laitteisto ja kaikki sen tiedot. Suositellun hyvän käytännön mukaisesti kaikki kylmäaineet kerätään turvallisesti talteen. Ennen tehtävän suorittamista on otettava öljy- ja kylmäainenäyte, jos analyysi on tehtävä ennen talteen otetun kylmäaineen uudelleenkäyttöä. Sähkövirtaa on oltava saatavilla ennen tehtävän aloittamista.

- a) Tutustu laitteeseen ja sen toimintaan.
- b) Eristä järjestelmä sähköisesti.
- c) Ennen toimenpiteen yrittämistä huolehdi seuraavista:
 - Mekaanisia käsittelylaitteita on saatavilla tarvittaessa kylmäainesylinterien käsittelyyn;
 - Kaikki henkilönsuojaimet ovat saatavilla ja niitä käytetään oikein;

- Talteenottoprosessia valvoo joka hetki pätevä henkilö;
 - Talteenottolaitteet ja sylinterit ovat soveltuvien standardien mukaisia.
- d) Pumppaa tyhjäksi kylmäainejärjestelmä, jos mahdollista.
 - e) Ellei alipainetta voida saavuttaa, tee jakoputki niin, että kylmäaine voidaan poistaa järjestelmän eri osista.
 - f) Varmista, että sylinteri sijaitsee vaa'alla, ennen kuin talteenotto alkaa.
 - g) Käynnistä talteenottokone ja käytä sitä valmistajan ohjeiden mukaisesti.
 - h) Älä täytä sylintereitä liian täyteen. (Nestemäärä ei saa olla yli 80 % tilavuudesta).
 - i) Älä ylitä sylinterin enimmäiskäyttöpainetta edes tilapäisesti.
 - j) Kun sylinterit on täytetty oikein ja prosessi suoritettu loppuun, varmista, että sylinterit ja laitteisto poistetaan kohteesta nopeasti, ja että kaikki laitteiston eristysventtiilit on suljettu.
 - k) Kerättyä kylmäainetta ei saa lisätä toiseen jäähdytysjärjestelmään, ellei sitä ole puhdistettu ja tarkistettu.

10. Merkitseminen

Laitteistoon on laitettava merkintä, josta käy ilmi, että laitteisto on poistettu käytöstä ja sen kylmäaine on tyhjennetty. Merkintä on päivättävä ja allekirjoitettava. Varmista, että laitteistossa on merkinnät, joissa kerrotaan, että laite sisältää tulenarkaa kylmäainetta.

11. Talteenotto

Kun kylmäainetta poistetaan järjestelmästä joko huoltoa tai käytöstä poistoa varten, on suositeltua hyvää käytäntöä poistaa kaikki kylmäaineet turvallisesti. Kun siirrät kylmäainetta sylintereihin, varmista, että vain asianmukaisen kylmäaineen talteenottosylintereitä käytetään. Varmista, että sylintereitä on saatavana riittävä määrä koko järjestelmän sisältämälle kylmäaineelle. Kaikki käytetyt sylinterit on tarkoitettu kerätylle kylmäaineelle ja merkitty sen mukaisesti (eli erityiset sylinterit kylmäaineen talteenotolle). Sylintereissä on oltava paineenalennusventtiili ja liitetyt katkaisuventtiilit hyvässä toimintakunnossa. Talteenottosylinterit tyhjenetään ja mahdollisuuksien mukaan jäähdytetään ennen talteenottoa. Talteenottolaitteiston on oltava hyvässä kunnossa, sitä varten on oltava käyttöohjeet ja sen on sovellettava tulenarkojen kylmäaineiden talteenottoon. Lisäksi saatavilla on oltava kalibroidut ja hyväkuntoiset vaa'at. Letkuissa on oltava vuodottomat irrotuskytkennät ja niiden on oltava hyvässä kunnossa. Ennen kuin käytät talteenottolaitetta, tarkista, että se on hyvässä kunnossa, huollettu asianmukaisesti ja että kaikki siihen liittyvät sähkökomponentit on tiivistetty syttymisen välttämiseksi siinä tapauksessa, että kylmäainetta pääsee vapautumaan. Ota yhteys valmistajaan, jos olet epävarma. Talteen otettu kylmäaine on palautettava kylmäaineen toimittajalle oikeassa talteenottosylinterissä, ja asianmukaisesta jätteenkuljetusilmoituksesta on huolehdittava. Älä sekoita kylmäaineita talteenottoyksiköissä äläkä etenkään sylintereissä. Jos kompressorit tai kompressorioiljyt on poistettava, varmista, että ne on tyhjenetty hyväksyttävälle tasolle sen varmistamiseksi, että voiteluaineeseen ei jää tulenarkaa kylmäainetta. Tyhjennysprosessi on suoritettava ennen kompressorien palautusta toimittajille. Vain kompressorin rungon sähköistä lämmitystä saa käyttää tämän prosessin tehostamiseen. Kun öljy on tyhjenetty järjestelmästä, se on kannettava ulos turvallisesti.

Huoltohenkilöstön pätevyys

Yleistä

Eryityskoulutus tavanomaisten jäähdytyslaitteiden korjausmenetelmien lisäksi on tarpeen, kun kyse on palavia kylmäaineita käyttävistä laitteista.

Monissa maissa koulutusta antavat kansalliset koulutusorganisaatiot, joilla on akkreditointi opettaa asiaankuuluvia kansallisia pätevyysvaatimuksia, jotka voidaan asettaa lainsäädännössä.

Saavutettu pätevyys tulee dokumentoida todistuksella.

Koulutus

Koulutuksen tulee sisältää seuraavat aihealueet:

Tietoa palavien kylmäaineiden räjähdysvaarasta osoittamaan, että syttyvät aineet voivat olla vaarallisia, jos niitä käsitellään huolimattomasti.

Tietoa mahdollisista syttymislähteistä, etenkin sellaisista, jotka eivät ole selviä, kuten sytyttimet, valokytkimet, pölynimurit, sähkölämmittimet.

Tietoa erilaisista turvallisuuteen liittyvistä käsitteistä:

Ilmastoimaton – laitteen turvallisuus ei riipu kotelon ilmanvaihdosta. Laitteen sammuttamisella tai kotelon avaamisella ei ole merkittävää vaikutusta turvallisuuteen. Siitä huolimatta on mahdollista, että vuotava kylmäaine voi kertyä kotelon sisään ja syttyvä ilmapiiri vapautuu kotelon avaamisen yhteydessä.

Ilmastoitu kotelo – laitteen turvallisuus riippuu kotelon ilmanvaihdosta. Laitteen sammuttamisella tai kotelon avaamisella on merkittävä vaikutus turvallisuuteen. Riittävä ilmanvaihto on varmistettava ennen sitä.

Ilmastoitu huone – laitteen turvallisuus riippuu huoneen ilmanvaihdosta. Laitteen sammuttamisella tai kotelon avaamisella ei ole merkittävää vaikutusta turvallisuuteen. Huoneen ilmastointia ei saa kytkeä pois päältä korjaustoimenpiteiden aikana.

Tiedot suljettujen komponenttien ja suljettujen koteloiden käsitteistä standardin IEC 60079-15: 2010 mukaan.

Tietoja oikeista työskentelytavoista:

a) Käyttöönotto

- Varmista, että lattiapinta-ala on riittävä kylmäaineen täyttämiseen tai että ilmanvaihtoletku on asennettu oikein.
- Liitä putket ja suorita vuototesti ennen kylmäaineen täyttämistä.
- Tarkista turvalaitteet ennen käyttöönottoa.

b) Huolto

- Siirrettävät laitteet on korjattava ulkona tai korjaamossa, joka on erityisesti varustettu tulenarkoja kylmäaineita sisältävien laitteiden huoltamiseen.
- Varmista korjauspaikan riittävä ilmanvaihto.
- Huomioi, että laitteen toimintahäiriöt voivat johtua kylmäaineen häviämisestä ja kylmäainevuoto on mahdollinen.
- Pura kondensaattorit tavalla, joka ei aiheuta kipinöitä. Tavanomainen menetelmä, kondensaattorin napojen oikosulkeminen, aiheuttaa yleensä kipinöitä.
- Kokoa suljetut kotelot huolellisesti. Jos tiivisteet ovat kuluneet, vaihda ne.
- Tarkista turvalaitteet ennen käyttöönottoa.

c) Korjaukset

- Siirrettävät laitteet on korjattava ulkona tai korjaamossa, joka on erityisesti varustettu tulenarkoja kylmäaineita sisältävien laitteiden huoltamiseen.
- Varmista korjauspaikan riittävä ilmanvaihto.
- Huomioi, että laitteen toimintahäiriöt voivat johtua kylmäaineen häviämisestä ja kylmäainevuoto on mahdollinen.
- Pura kondensaattorit tavalla, joka ei aiheuta kipinöitä.
- Jos juottamista vaaditaan, seuraavat toimenpiteet on suoritettava oikeassa järjestyksessä:
 - Poista kylmäaine. Jos talteenottoa ei vaadita kansallisissa säännöksissä, tyhjennä kylmäaine ulos. Varmista, että tyhjennetty kylmäaine ei aiheuta vaaraa. Epävarmoissa tapauksissa yhden henkilön tulisi vartioida tyhjennysaukkoa. Varo erityisesti sitä, ettei tyhjennetty kylmäaine siirry takaisin rakennukseen.
 - Tyhjennä kylmäainepiiri.
 - Huuhtelee kylmäainepiiriä tyypellä 5 minuutin ajan.
 - Tyhjennä uudelleen.
 - Poista vaihdettavat osat leikkaamalla, ei liekillä.
 - Huuhtelee juotoskohtaa tyypellä juottoprosessin aikana.
 - Suorita vuototesti ennen kylmäaineen täyttämistä.
- Kokoa suljetut kotelot huolellisesti. Jos tiivisteet ovat kuluneet, vaihda ne.

- Tarkista turvalaitteet ennen käyttöönottoa.
- d) Käytöstä poisto
- Jos turvallisuus vaarantuu laitteen käytöstä poistamisen jälkeen, kylmäaine on poistettava ennen käytöstä poistamista.
 - Varmista laitteen sijaintipaikan riittävä ilmanvaihto.
 - Huomioi, että laitteen toimintahäiriöt voivat johtua kylmäaineen häviämisestä ja kylmäainevuoto on mahdollinen.
 - Pura kondensaattorit tavalla, joka ei aiheuta kipinöitä.
 - Poista kylmäaine. Jos talteenottoa ei vaadita kansallisissa säännöksissä, tyhjennä kylmäaine ulos. Varmista, että tyhjennetty kylmäaine ei aiheuta vaaraa. Epävarmoissa tapauksissa yhden henkilön tulisi vartioida tyhjennysaukkoa. Varo erityisesti sitä, ettei tyhjennetty kylmäaine siirry takaisin rakennukseen.
 - Tyhjennä kylmäainepiiri.
 - Huuhtelee kylmäainepiiriä tyypellä 5 minuutin ajan.
 - Tyhjennä uudelleen.
 - Täytä tyypellä ilmakehän paineeseen.
 - Laita laitteistoon merkintä siitä, että kylmäaine on poistettu.
- e) Hävittäminen
- Varmista työskentelypaikan riittävä ilmanvaihto.
 - Poista kylmäaine. Jos talteenottoa ei vaadita kansallisissa säännöksissä, tyhjennä kylmäaine ulos. Varmista, että tyhjennetty kylmäaine ei aiheuta vaaraa. Epävarmoissa tapauksissa yhden henkilön tulisi vartioida tyhjennysaukkoa. Varo erityisesti sitä, ettei tyhjennetty kylmäaine siirry takaisin rakennukseen.
 - Tyhjennä kylmäainepiiri.
 - Huuhtelee kylmäainepiiriä tyypellä 5 minuutin ajan.
 - Tyhjennä uudelleen.
 - Leikkaa kompressori irti ja tyhjennä öljy.

Syttyviä kylmäaineita sisältävien laitteiden kuljetus, merkinnät ja varastointi

Syttyviä kylmäaineita sisältävien laitteiden kuljetus

Huomiota on kiinnitettävä siihen, että syttyviä kaasuja sisältäville laitteille saattaa olla olemassa kuljetusmääräyksiä. Laitteiden enimmäismäärä tai se kokoonpano, jotka voidaan kuljettaa yhdessä, määritetään sovellettavissa kuljetusmääräyksissä.

Laitteen merkitseminen merkeillä

Työalueella käytettävien samankaltaisten laitteiden merkit ovat yleensä paikallisten määräysten mukaisia, ja ne ilmaisevat turvallisuutta ja/tai terveyttä koskevat vähimmäisvaatimukset työskentelypaikassa.

Kaikki vaaditut merkit on pidettävä hyvässä kunnossa, ja työnantajien on varmistettava, että työntekijät saavat asianmukaista ja riittävää opastusta ja koulutusta asianmukaisten turvallisuusmerkkien merkityksestä ja näiden merkkien vaatimista toimenpiteistä.

Merkkien tehokkuutta ei saa heikentää asettamalla liikaa merkkejä yhteen paikkaan.

Kaikkien käytettyjen piktogrammien tulisi olla mahdollisimman yksinkertaisia ja sisältää vain olennaisia tietoja.

Syttyviä kylmäaineita sisältävien laitteiden hävittäminen

Katso kansalliset määräykset.

Laitteistojen/laitteiden varastoiminen

Laitteistojen varastoinnissa on noudatettava valmistajan antamia ohjeita.

Pakattujen (myymättömien) laitteistojen varastoiminen

Varastointipakkausten suojaus on rakennettava siten, että pakkauksen sisällä olevien laitteiden mekaaniset vauriot eivät aiheuta kylmäaineen vuotoa.

Yhdessä varastoitavien laitteiden sallittu enimmäismäärä määritetään paikallisissa määräyksissä.

Tusen takk for at du kjøpte produktene våre. Les denne håndboken og instruksjonene nøye før bruk for å sikre korrekt bruk.

VIKTIGE INSTRUKSJONER

Når du bruker elektriske apparater, bør du alltid følge grunnleggende forholdsregler for å redusere risikoen for brann, elektrisk støt, forbrenning og andre skader.

1. Les og lagre disse instruksjonene. Merk: bilder i manualen er kun til referanse.
2. Dette apparatet kan bli brukt av barn fra 8 år og oppover og personer med redusert fysisk sensorisk eller mental kapasitet, eller som mangler erfaring og kunnskap, dersom de på en trygg måte under tilsyn har fått veiledning i bruk av apparatet og forstår farene som er involvert.
3. Barn må ikke leke med apparatet.
4. Rengjøring og brukervedlikehold må ikke bli utført av barn uten tilsyn.
5. Hvis strømledningen er skadet, må den erstattes av produsenten, dens service agent eller tilsvarende kvalifisert person for å unngå et hinder.
6. Kun innendørs bruk.
7. Ikke bruk enheten i et område: nær brannkilden; hvor olje sannsynligvis spruter; utsatt for direkte sollys; der vann sannsynligvis spruter; i nærheten av et badekar, et vaskerom, en dusj eller et svømmebasseng.
8. Stikk aldri fingrene, stengene inn i luftutløpet. Vær spesielt forsiktig med å advare barn om disse farene
9. Hold enheten oppover under transport og lagring, for at kompressoren er riktig plassert.
10. Før du rengjør eller flytter apparatet, må du alltid slå av og koble fra strømforsyningen.
11. For å unngå muligheten for brannkatastrofe skal ikke apparatet dekkes til.

12. Alle klimakontaktene må oppfylle de lokale elektriske sikkerhetskravene. Hvis det er nødvendig, kan du sjekke det for kravene.
13. Apparatet skal installeres i samsvar med nasjonal forskrift om ledninger.
14. Detaljer om type og vurdering av sikringer: T, 250V AC, 3.15A.
15. Kontakt autorisert servicetekniker for reparasjon eller vedlikehold av denne enheten.
16. Ikke trekk, deformer eller modifier strømledningen eller senk den i vann. Å trekke eller misbruke strømledningen kan føre til skade på enheten og forårsake elektrisk støt.
17. Overholdelse av nasjonale gassbestemmelser skal overholdes.
18. Service skal bare utføres som anbefalt av utstyrproduzenten. Vedlikehold og reparasjon som krever assistanse fra annet dyktig personell skal utføres under tilsyn av den som er kompetent i bruk av brennbare kjølemedier.
19. Ikke betjen eller stopp enheten ved å sette inn eller trekke ut støpselet, det kan forårsake elektrisk støt eller brann på grunn av varmegenerering.
20. Koble enheten til rare lyder, lukt eller røyk kommer fra den.
21. Koble alltid apparatet til en jordet stikkontakt.
22. I tilfelle skader, må du slå av bryteren, koble fra strømforsyningen og kontakte et autorisert servicesenter for reparasjon.
23. Ikke bruk mekaniske enheter eller andre metoder for å fremskynde avisingsprosessen med mindre det anbefales av produsenten.
24. Apparatet skal oppbevares i et rom uten antennelseskilder som fungerer kontinuerlig (for eksempel: åpen ild, et gassapparat eller en elektrisk varmeapparat som fungerer).
25. Ikke gjennomhull eller brenn.

26. Vær oppmerksom på at kjølemidler ikke inneholder lukt.
27. Dette apparatet inneholder R290 kjølemediumgass. R290 er en kjølemediumgass som er i samsvar med de europeiske miljødirektivene. Ikke punkter noen del av kjølemediekretsen.
28. Hvis apparatet er installert, betjent eller oppbevart i et uventilert område, må rommet være utformet for å forhindre at det akkumuleres lekkasjemedier med risiko for brann eller eksplosjon på grunn av antenning av kjølemediet forårsaket av elektriske ovner, ovner eller andre antennelseskilder.
29. Apparatet må oppbevares på en slik måte at mekanisk svikt forhindres.
30. Personer som opererer eller arbeider på kjølemediekretsen, må ha den aktuelle sertifiseringen utstedt av en akkreditert organisasjon som sikrer kompetanse i håndtering av kjølemedier i henhold til en spesifikk evaluering anerkjent av foreninger i bransjen.
31. Reparasjoner må utføres basert på anbefaling fra produsentfirmaet. Vedlikehold og reparasjoner som krever assistanse av annet kvalifisert personell må utføres under tilsyn av en person spesifisert i bruken av brennbare kjølemedier.
32. For instruksjoner for reparasjon av apparater som inneholder R290, vennligst se avsnittene nedenfor.
33. La alltid apparatet hvile i minst 2 timer etter at du har flyttet det fra et sted til et annet.



Advarsel: Fare for brann / brannfarlige materialer.



Les bruksanvisninger.



Bruksanvisning; bruksanvisningen.



Serviceindikator; les teknisk manual.

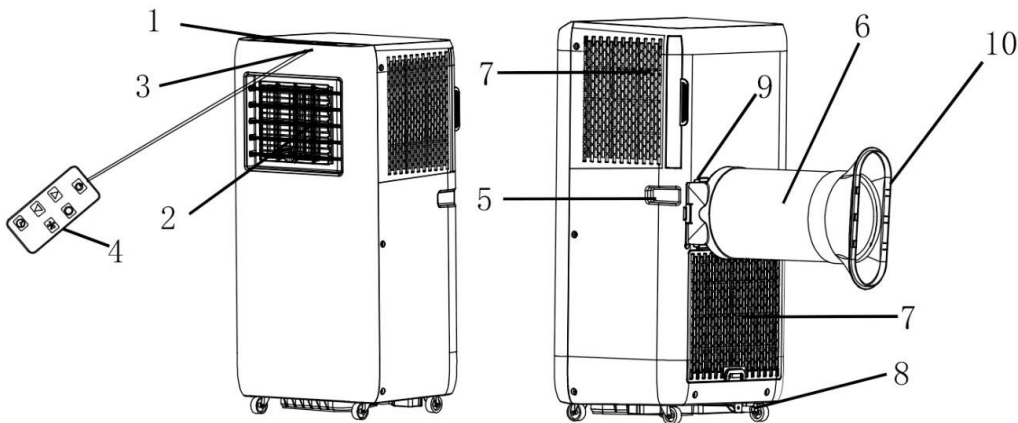
Advarsel: Hold ventilasjonsåpningene fri for hindringer.

Advarsel: Apparatet skal oppbevares i et godt ventilert område der romstørrelsen tilsvarer romområdet som spesifisert for drift.

Den nødvendige avstanden rundt enheten skal være minst 30 cm.

Apparatet skal installeres, betjenes og oppbevares i et rom med et gulvareal større enn 4 m².

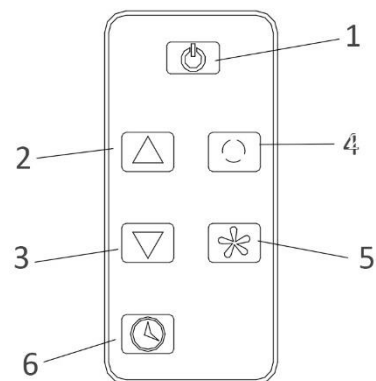
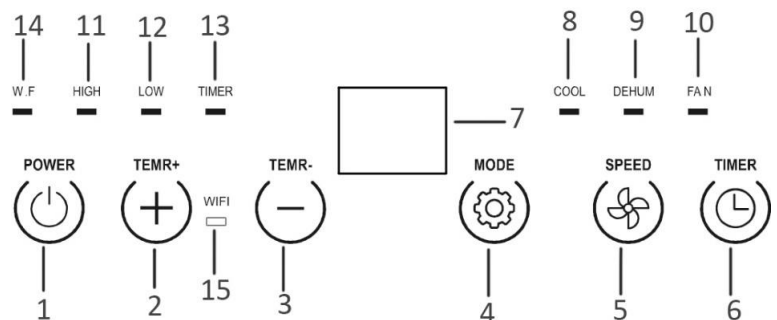
DELEBESKRIVELSE



1. Kontrollpanel
2. Luftuttak og lameller
3. Signalreseptor
4. Fjernkontroll
5. Håndtak
6. Lufteksos slange
7. Luftinntak og luftfilter
8. Avløpsport (satt inn av en propp)
9. Slangekontakt
10. Vindusadapter

Kontrollpanel og fjernkontroll

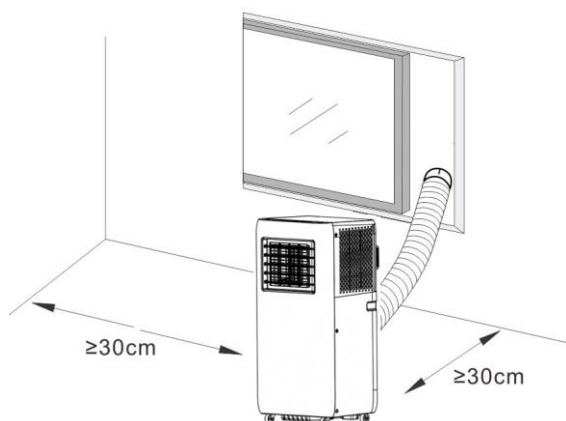
1. På-knapp
2. Temperatur / tidsknapp for økning
3. Temperatur / tidsknapp for senking
4. Modusknapp
5. Viftehastighetsknapp
6. Timerknapp
7. Digital skjerm
8. Indikatorlampe for kjølemodus
9. Indikatorlampe for avfuktingsmodus
10. Indikatorlampe for viftemodus
11. Høyhastighets indikatorlys
12. Indikatorlys for lav hastighet
13. Timer indikatorlampe
14. Indikatorlampe for full vanntank
15. WIFI-indikatorlys



Denne enheten har fjernkontroll. Ett stykke CR2025 batteri er levert med fjernkontrollen. Før du begynner å bruke fjernkontrollen, må du fjerne plastbeskyttelsen fra batteriet. Hvis du vil bytte batteri, kan du se instruksjonene bak fjernkontrollen. Hvis den ikke er i bruk på lang tid, må du ta batteriet ut av fjernkontrollen. Oppbevar knappcellebatterier utilgjengelig for små barn.

INSTALLASJON

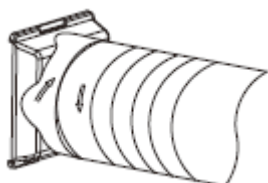
- Enheten skal installeres på en flat overflate der luftutløpet ikke vil bli blokkert. Den nødvendige avstanden rundt enheten skal være minst 30cm.



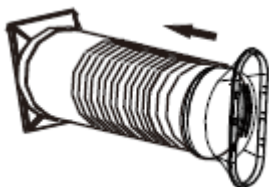
- Enheten skal ikke installeres i et vaskerom.
- Forleng luftavtrekkslangen ved å trekke ut de to endene av slangen.



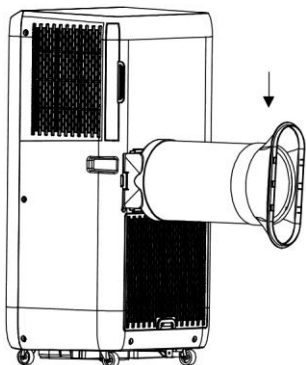
- Skru lufteksosslangen inn i slangekoblingen.



- Skru den andre enden av luftavgassslangen inn i vindusadapteren.



- Sett slangekoblingen i braketten på baksiden av enheten.



BETJENING

* La alltid apparatet hvile i minst 2 timer etter at du har flyttet det fra et sted til et annet. Sjekk om eksosslangen er riktig montert før bruk. Koble til apparatet. Lamellene kan justeres manuelt.

1. På-knapp

Trykk på strømknappen for å slå på apparatet. Apparatet vil begynne å fungere.

Trykk på knappen igjen, apparatet slås av.

2. Knapp for å øke temperatur/timer og knapp for å senke temperatur/timer

Trykk på knappen “+”/ “-” på kontrollpanelet eller “▲”/“▼” på fjernkontrollen for å stille inn ønsket romtemperatur fra 15°C til 31°C. Knappene kan også brukes til timerjustering under timerinnstilling. Verdien økes/redueres med 1 (°C/time) for hvert trykk.

3. Viftehastighetsknapp

Trykk på viftehastighetsknappen for å bytte viftehastighet mellom lav og høy. Tilsvarende indikatorlampe “LAV” / “HØY” vil lyse.

4. Modusknapp

Trykk på modusknappen for å velge ønsket arbeidsmodus blant COOL, DEHUM og FAN. Den tilsvarende indikatorlampen vil tennes når den spesifikke modusen er valgt.

- Avkjølingsmodus

Når romtemperaturen er høyere enn den innstilte temperaturen, begynner kompressoren å gå.

Når romtemperaturen er lavere enn den innstilte temperaturen, stopper kompressoren og viften går med den opprinnelige innstilte hastigheten.

Merk: Når kompressoren fungerer, vil enheten vibrere litt. Dette er normalt og ikke skadelig.

- Avfuktingsmodus

I avfuktingsmodus går viften med lav hastighet. Viftehastigheten og temperaturen kan ikke justeres.

Kompressoren stopper etter 8 minutters drift og går deretter igjen etter 6 minutter. Den vil gjenta seg på denne måten.

- Vifte-modus

Når viften går med innstilt hastighet, går ikke kompressoren.

Justering av temperatur i viftemodus er ikke effektiv.

5. Timerknapp

Auto-ON-innstilling

- Når apparatet er AV, trykk på timer-knappen, timer-indikatorlampen vil blinke.
- Trykk på knappen for å øke eller redusere timeren for å velge ønsket auto-ON-tid fra 1 til 24 timer. Timer-indikatorlampen vil blinke i flere sekunder, og deretter lyse fortsatt; Den digitale skjermen vil være av. Timerinnstillingen bekreftes.
- Du kan velge viftehastighet eller modus samtidig.
- Apparatet vil automatisk slå seg på når den valgte tiden har gått.

Auto-AV-innstilling

- Når apparatet er PÅ, trykk på timer-knappen, timer-indikatorlampen vil blinke.
- Trykk på knappen for å øke eller redusere timeren for å velge ønsket auto-AV-tid fra 1 til 24 timer. Timer-indikatorlampen vil blinke i flere sekunder, og deretter lyse fortsatt. Timerinnstillingen bekreftes.
- Apparatet vil automatisk slå seg av når den valgte tiden har gått.

For å avbryte tidtakeren, trykk på tidtakerknappen. Når tidtakerindikatorlampen blinker, trykk på tidtakerknappen igjen. Timer-indikatorlampen vil da være av.

MERK:

- Beskyttelsesinnretningen kan utløse og stoppe apparatet under forholdene som er oppført nedenfor.

Kjøling	Romtemperaturen er over 43°C.
	Romtemperaturen er under 15°C.
Tørking	Romtemperaturen er under 15°C.

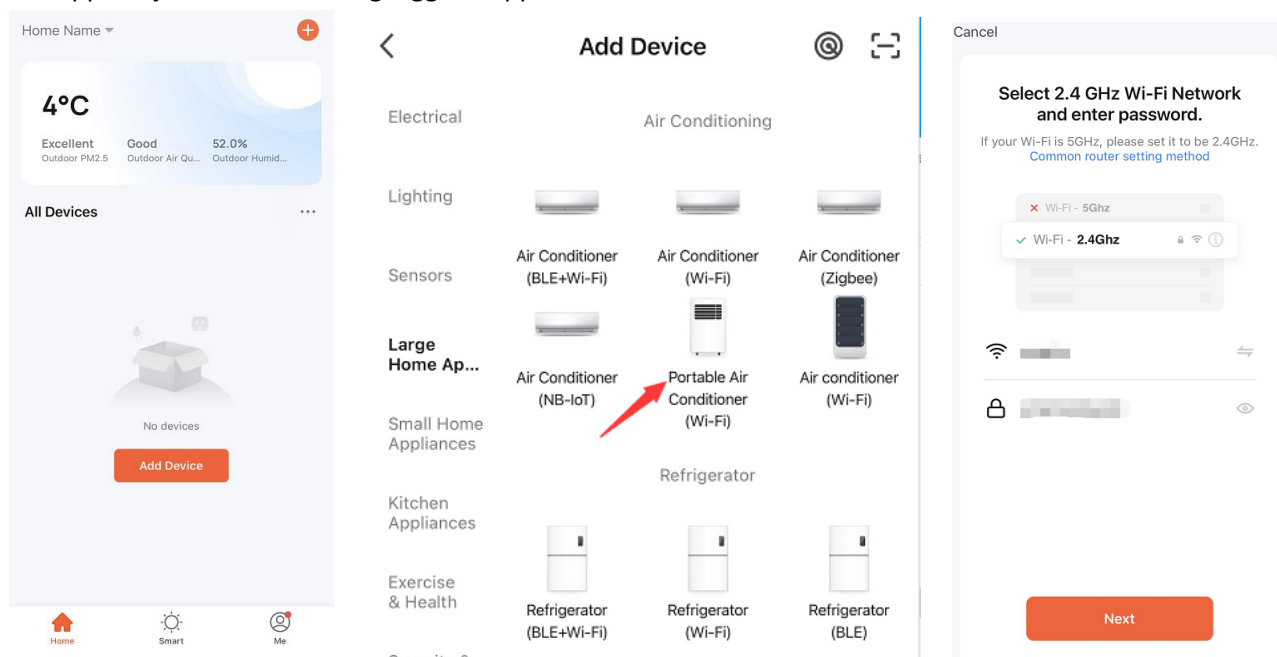
- Hvis apparatet kjører i kjøle- eller tørkemode med døren eller vinduet åpent i lang tid når den relative fuktigheten er over 80%, kan dugg dryppe ned fra luftutløpet.

Tøm vann

- 1) Spesiell påminnelse: Det er gjenvunnet kondensvann i dette apparatet. Kondensvannet blir delvis resirkulert mellom kondensatoren og vannskålen. Når vannstanden stiger til det øvre nivået, vil den fulle koden "E4" vises på det digitale displayet for å minne om drenering av vann.
- 2) Vennligst kutt av strømforsyningen, flytt apparatet til et passende sted, trekk ut proppen i avløpsporten for å tømme vannet helt. Hvis forholdene tillater det, kan du også koble avløpsslangen til avløpsporten for vanntømming.
- 3) Etter drenering, sett inn proppen i avløpsporten, ellers kan apparatet lekke og gjøre rommet ditt vått.

Veiledning for Wi-Fi-tilkobling (Veiledningen for APPen kan ikke oppdateres regelmessig på grunn av programvareversjonsoppgradering eller andre grunner. Denne instruksjonen brukes kun som en veiledning.):

1. Søk «Tuya Smart» i App Store (for iOS) eller Google play (for Android), last ned applikasjonen «Tuya Smart» til telefonen din. Registrer deg eller logg inn på kontoen din på Tuya.
2. Sørg for at apparatet er i standby. Trykk lenge på modusknappen til du hører en pipelyd. WIFI-indikatorlampen blinker raskt.
3. Trykk på "+" øverst til høyre eller knappen "Legg til enhet" på hjemmesiden til Tuya for å legge til apparatet ditt.
4. Finn kategorien "Bærbart klimaanlegg". Trykk på ikonet, og du vil få en melding som ber deg bruke 2,4 GHz Wi-Fi-nettverket. Merk at 5 GHz Wi-Fi ikke støttes av denne applikasjonen.
5. Skriv inn Wi-Fi-passordet og koble til Wi-Fi. Bekreft at WIFI-indikatorlampen blinker raskt, trykk "Neste", applikasjonen vil skanne og legge til apparatet.



6. Når apparatet er lagt til, vil WIFI-indikatorlampen fortsatt lyse.
7. Nå kan du bruke APP-en til å betjene apparatet.

Merk:

- Trykk på modusknappen i APP, du vil ha "Cool, Dry og Fan". Tørrmodus er det samme som avfuktingsmodus.
- Berør temperaturdisplayet for å veksle mellom Fahrenheit og Celsius.
- Når nettverksmiljøet for enheten er endret, må det rekonfigureres.
- Du kan slå på/av WIFI-funksjonen ved å trykke lenge på modusknappen på kontrollpanelet når apparatet er i standby. Når WIFI-indikatorlampen blinker raskt, venter apparatet på å bli paret. Når WIFI-indikatorlampen fortsatt lyser, er Wi-Fi tilkoblet. Når WIFI-indikatorlampen slukker, er WIFI slått av.

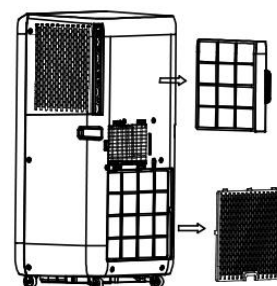
RENGJØRING OG VEDLIKEHOLD

- Sørg for å koble apparatet fra strømuttaket før rengjøring.
- Ikke bruk bensin eller andre kjemikalier til å rengjøre apparatet.
- Ikke vask apparatet direkte.
- Ta kontakt med forhandleren eller verkstedet hvis apparatet er skadet.

Luftfilter

Hvis luftfilteret blir tilstoppet med støv / smuss, bør luftfilteret rengjøres annenhver uke.

- Trekk ut luftfiltrene ved å trekke tappen.
- Rengjør luftfilteret med nøytralt vaskemiddel i lunkent vann (< 40°C) og tørk det opp i skyggen.
- Sett på plass luftfilteret.



Rengjør overflaten

Rengjør først overflaten med et nøytralt vaskemiddel og en våt klut, og tørk av den med en tørr klut.

FEILSØKING

Følgende tilfeller er kanskje ikke alltid en feil, vennligst sjekk forslagene nedenfor før du ber om service.

Trouble	Analyse
Renner ikke	<ul style="list-style-type: none">• Hvis beskytteren utløses eller sikringen har gått.• Vent i 3 minutter og start på nytt. Beskyttelsesenheten kan hindre enheten i å fungere.• Hvis batteriene i fjernkontrollen er tomme.• Hvis støpselet ikke er riktig plagget inn.
Går kun en kort stund	<ul style="list-style-type: none">• Hvis den innstilte temperaturen er nær romtemperatur, kan du senke den innstilte temperaturen.• Luftuttaket er blokkert av hindring. Fjern hindringen.
Vannlekkasje under flytting	<ul style="list-style-type: none">• Tøm kondensatet før flytting.• For å unngå vannlekkasje, plasser enheten på flatt underlag.
Renner ikke og vann full indikator "E4"	<ul style="list-style-type: none">• Trekk ut gummipluggen og dreneringsvannet.• Hvis det ofte er i denne tilstanden, vennligst kontakt kvalifisert servicetekniker.
Apparatet stopper automatisk	<ul style="list-style-type: none">• Timing avstengt• Innstilt temperatur nådd

TEKNISKE SPESIFIKASJONER

Nedenfor data for din driftsreferanse

Modell	PAC-127277
Merkespenning	220-240V
Nominell frekvens	50Hz
Vurdert inngang	750W
Merkestrøm	3.4A
Kjølekapasitet	7000BTU
Fuktighetsfjerning (L / H)	0.8
Luftstrøm	270m ³ /h
Maks. overføringskraft	17.5dBm
Frekvensområde	2412-2472MHz

Vi, Emerio, erklærer under vårt eget ansvar at produktet: PAC-127277 er i samsvar med de grunnleggende kravene og andre relevante krav i RED-direktivet (2014/53 / EU)

Den komplette CE-erklæringen er tilgjengelig på følgende adresse: www.emerio.eu

ERP INFORMASJON

	Verdi
Varemerke	Emerio
Modellidentifikasjon	PAC-127277
Lydeffekt (kjøling)	64dB(A)
Navn på kjølemiddel	R290
Nominell effektinngang for kjøling (kW)	0.755
Vurdert energieffektivitetsforhold	2.7
GWP (kgCO ₂ eq)	3
Energieffektivitetsklasse	A
Energiforbruk for apparater med dobbelt kanal (kWh / t)	-
Energiforbruk for apparater med en kanal (kWh / t)	0.755
Strømforbruk i termostat av-modus (W)	-
Strømforbruk i standby-modus (W)	0.85
Kjølekapasitet	7000BTU
<p>Lekkasje av kjølemiddel bidrar til klimaendringene. Kjølemiddel med lavere globalt oppvarmingspotensial (GWP) vil bidra mindre til global oppvarming enn et kjølemiddel med høyere GWP, hvis det lekker til atmosfæren. Dette apparatet inneholder kjølemediumvæske med en GWP lik 3. Dette betyr at hvis 1 kg av denne kjølemediumvæsken skulle lekke ut i atmosfæren, ville innvirkningen på den globale oppvarmingen være 3 ganger høyere enn 1 kg CO₂ over en periode på 100 år. Forsøk aldri å forstyrre kjølemediets krets selv eller demonter produktet selv, og spør alltid en profesjonell.</p> <p>#Energiforbruk 0.755 kWh for modell PAC-127277 i 60 minutters bruk under standard testforhold. Det faktiske energiforbruket avhenger av hvordan enheten brukes og hvor den er plassert.</p> <p>For ytterligere informasjon, vennligst kontakt: Emerio International AB Smedjegatan 6 131 54 Nacka Sweden</p>	

GARANTI OG KUNDESERVICE

Før levering våre enheter er underlagt streng kvalitetskontroll. Hvis, til tross all omsorg, har skaden oppstått under produksjon eller transport, kan du returnere enheten til forhandleren. I tillegg til lovfestede rettigheter, har kjøper en opsjon til å kreve i henhold til følgende garanti.

For de kjøpte apparatet vi gir 2 års garanti, fra den dagen av salget. I denne perioden vil vi avhjelpe alle mangler gratis, som kan påviselig skyldes material-eller produksjonsfeil, ved reparasjon eller bytte.

Defekter som oppstår på grunn av feil håndtering av enheten og funksjonsfeil på grunn av inngrep og reparasjoner av tredjeparter eller montering av ikke-originale deler er ikke dekket av denne garantien.

Ta alltid vare på kvitteringen. Uten kvitteringen kan du ikke kreve noen form for garanti. Skade som skyldes at bruksanvisningen ikke er fulgt, medfører at garantien blir gjort ugyldig. Hvis dette resulterer i betydelig skade vil vi ikke kunne holdes ansvarlig for skaden. Vi kan heller ikke bli holdt ansvarlig for material - eller personalskade som skyldes feil bruk eller om instruksene i bruksanvisningen ikke er blitt ordentlig utført. Skade på tilbehør gir ikke rett til utskifting av hele apparatet. Vær vennlig, i et slikt tilfelle, å ta kontakt med din serviceavdeling. Knust glass eller brekkasje på plastikkdel er alltid gjenstand for utskifting. Ved defekter på forbruksdeler eller deler som er utsatt for slitasje, herunder rengjøring, vil vedlikehold eller utskifting ikke være dekket av garantien og må derfor bli betalt.

MILJØVENNLIG KASTING



Resirkulering – EU-direktiv 2012/19/EU

Dette symbolet indikerer at produktet ikke skal kastes sammen med husholdningsavfall. For å hindre mulig skade på miljø eller helse fra ukontrollert avfallshåndtering, resirkuleres det ansvarlig for å fremme bærekraftig gjenbruk av materialressurser. For å returnere din brukte enhet, bruk

stedlige retur og innsamlingsystemer eller kontakt forhandleren der produktet ble kjøpt. De kan sørge for at dette produktet blir miljømessig og trygt resirkulert.



BATTERIET MÅ RESIRKULERES ELLER KASTES FORSVARLIG. IKKE ÅPNE. IKKE KAST ELLER

BRENN ELLER KORTSLUTT.

INSTRUKSJONER FOR REPARASJONER AV APPARATER SOM INNEHOLDER

R290

1. Service

1) Sjekker til området

Før du begynner å arbeide med systemer som inneholder brennbare kjølemedier, er sikkerhetskontroll nødvendig for å sikre at tenningsrisikoen minimeres. For reparasjon av kjølesystemet skal følgende forholdsregler overholdes før du utfører arbeid på systemet.

2) Arbeidsprosedyre

Arbeidet skal utføres under en kontrollert prosedyre for å minimere risikoen for at det finnes en brennbar gass eller damp mens arbeidet utføres.

3) Generelt arbeidsområde

Alt vedlikeholdspersonell og andre som arbeider i nærområdet, skal instrueres om arten av arbeidet som utføres. Arbeid i trange rom skal unngås. Området rundt arbeidsområdet skal seksjoneres. Sørg for at forholdene i området er gjort trygge ved å kontrollere brennbart materiale.

4) Kontrollerer om det er kjølemiddel

Området skal kontrolleres med en passende kjølemediedetektor før og under arbeid for å sikre at teknikeren er klar over potensielt brannfarlige atmosfærer. Forsikre deg om at lekkasjedeteksjonsutstyret som brukes er egnet til bruk med brennbare kjølemedier, dvs. ikke-gnistende, tilstrekkelig forseglet eller egensikker.

5) 5) Tilstedeværelse av brannslukningsapparat

Hvis det skal utføres varmt arbeid på kjøleutstyret eller tilhørende deler, skal passende brannslukkingsutstyr være tilgjengelig for hånden. Ha et tørt pulver eller CO₂-brannslukker ved siden av ladeområdet.

6) 6) Ingen antennelseskilder

Ingen som utfører arbeid i forbindelse med et kjølesystem som innebærer å avsløre rørarbeider som inneholder eller har inneholdt brennbart kjølemiddel, skal bruke antennelseskilder på en slik måte at det kan føre til fare for brann eller eksplosjon. Alle mulige antenningskilder, inkludert sigaretttrøyking, bør holdes tilstrekkelig langt borte fra installasjonsstedet, reparasjon, fjerning og avhending, der brennbart kjølemiddel muligens kan slippes ut i det omkringliggende rommet. Før arbeidet pågår, skal området rundt utstyret kartlegges for å sikre at det ikke er noen brennbare farer eller antennelsesrisiko. "Røyking forbudt" -skilt skal vises.

7) Ventilert område

Forsikre deg om at området er åpent eller at det er tilstrekkelig ventilert før du bryter inn i systemet eller utfører noe varmt arbeid. En viss ventilasjon skal fortsette i løpet av perioden arbeidet utføres. Ventilasjonen skal trygt spre frigjort kjølemedium og helst skyve det ut i atmosfæren.

8) Sjekker til kjøleutstyret

Når elektriske komponenter skiftes ut, skal de være egnet for formålet og til riktig spesifisering. Produsentens retningslinjer for vedlikehold og service skal til enhver tid følges. Hvis du er i tvil, kontakt produsentens tekniske avdeling for å få hjelp.

Følgende kontroller skal brukes på installasjoner som bruker brennbare kjølemedier:

- Ladestørrelsen er i samsvar med romstørrelsen der det kjølemediet som inneholder deler er installert.
- Ventilasjonsmaskineriet og uttakene fungerer tilstrekkelig og hindres ikke;
- Hvis en indirekte kjølekrets brukes, skal den sekundære kretsen kontrolleres for tilstedeværelse av kjølemiddel.
- Merking av utstyret er fortsatt synlig og leselig. Merking og tegn som er uleselige skal rettes;
- Kjølerør eller komponenter er installert i en posisjon der det er lite sannsynlig at de blir utsatt for noe stoff som kan korrodere komponenter som inneholder kjølemiddel, med mindre komponentene er konstruert av materialer som i seg selv er motstandsdyktige mot korrosjon eller er passende beskyttet mot å bli korrodert.

9) Sjekker til elektriske apparater

Reparasjon og vedlikehold av elektriske komponenter skal omfatte innledende sikkerhetskontroller og prosedyrer for inspeksjon av komponenter. Hvis det oppstår en feil som kan kompromittere sikkerheten, skal ingen strømforsyning kobles til kretsen før den er håndtert tilfredsstillende. Hvis feilen ikke kan rettes umiddelbart, men det er nødvendig å fortsette driften, skal det brukes en tilstrekkelig midlertidig løsning. Dette skal rapporteres til eieren av utstyret, slik at alle parter blir informert. Første sikkerhetskontroll skal omfatte:

- At kondensatorer er utladet: dette skal gjøres på en trygg måte for å unngå muligheten for gnistdannelse;
- At ingen strømførende elektriske komponenter og ledninger blir utsatt under lading, gjenoppretting eller rensing av systemet;
- At det er kontinuitet i jordbinding.

2. Reparasjoner på forseglede komponenter

- 1) Under reparasjoner av forseglede komponenter skal alle elektriske forsyninger kobles fra utstyret som det arbeides med før eventuell fjerning av forseglede deksler osv. Hvis det er helt nødvendig å ha strømforsyning til utstyret under service, skal en permanent fungerende form for lekkasjedeteksjon være plassert på det mest kritiske punktet for å advare om en potensielt farlig situasjon.
- 2) Spesiell oppmerksomhet skal følges av følgende for å sikre at ved å arbeide med elektriske komponenter, foringsrøret ikke endres på en slik måte at beskyttelsesnivået påvirkes. Dette skal omfatte skade på kabler, overdreven antall tilkoblinger, terminaler som ikke er opprettet i henhold til original spesifisering, skade på tetninger, feil montering av kjertler, etc.

Forsikre deg om at apparatet er montert forsvarlig. Forsikre deg om at tetninger eller tetningsmaterialer ikke har blitt nedbrutt slik at de ikke lenger tjener formålet med å forhindre inntrengning av brannfarlige atmosfærer. Reservedeler skal være i samsvar med produsentens spesifikasjoner.

MERK: Bruk av silisiumforseglingmiddel kan hemme effektiviteten til noen typer lekkasjedeteksjonsutstyr. Egensikre komponenter trenger ikke å isoleres før du arbeider med dem.

3. Reparer til egensikre komponenter

Ikke bruk permanente induktive eller kapasitansbelastninger på kretsen uten å forsikre deg om at dette ikke overskrider den tillatte spenningen og strømmen som er tillatt for utstyret i bruk. Egensikre komponenter er de eneste typene det kan jobbes med mens de lever i nærvær av en brennbar atmosfære. Testapparatet skal være på riktig rangering. Bytt ut komponenter bare med deler spesifisert av produsenten. Andre deler kan føre til at kjølemediet antennes i atmosfæren fra en lekkasje.

4. Kabling

Kontroller at kabling ikke utsettes for slitasje, korrosjon, høyt trykk, vibrasjoner, skarpe kanter eller andre ugunstige miljøpåvirkninger. Kontrollen skal også ta hensyn til effekten av aldring eller kontinuerlig vibrasjon fra kilder som kompressorer eller vifter.

5. Påvisning av brennbare kjølemedier

Under ingen omstendigheter skal potensielle antenningskilder brukes til å lete etter eller oppdage kjølemediumlekkasjer. En halogenbrenner (eller en hvilken som helst annen detektor som bruker åpen flamme) skal ikke brukes.

6. Metoder for lekkasjedeteksjon

Følgende lekkasjedeteksjonsmetoder anses å være akseptable for systemer som inneholder brennbare kjølemedier.

Elektroniske lekkasjedetektorer skal brukes til å oppdage brennbare kjølemedier, men følsomheten er kanskje ikke tilstrekkelig eller kan trenge omkalibrering. (Deteksjonsutstyr skal kalibreres i et kjølemediefritt område.) Forsikre deg om at detektoren ikke er en potensiell antenneskilde og er egnet for det kjølemediet som brukes. Utstyr for lekkasjedeteksjon skal innstilles til en prosentandel av kjølemediets LFL og skal kalibreres til det kjølemediet som brukes, og passende prosentandel av gass (maksimum 25%) bekreftes. Væsker for lekkasjedeteksjon er egnet for bruk med de fleste kuldemedier, men bruk av vaskemidler som inneholder klor skal unngås da klor kan reagere med kjølemediet og korrodere kobberørarbeidet. Hvis det er mistanke om lekkasje, skal all åpen ild fjernes / slukkes. Hvis det oppdages lekkasje av kjølemiddel som krever lodding, skal alt kjølemiddel gjenvinnes fra systemet, eller isoleres (ved hjelp av stengeventiler) i en del av systemet fjernt fra lekkasjen. Oksygenfritt nitrogen (OFN) skal deretter skylles gjennom systemet både før og under loddeprosessen.

7. Fjerning og evakuering

Når du bryter inn i kjølemiddelkretsen for å utføre reparasjoner - eller til andre formål - skal konvensjonelle prosedyrer brukes. Det er imidlertid viktig at beste praksis følges siden antennelighet er en vurdering. Følgende prosedyre skal følges:

- Fjern kjølemediet;
- Rens kretsen med inert gass;
- Evakuere;
- Rens igjen med inert gass;
- Åpne kretsen ved å kutte eller lodde.

Kjølevæskeladingen skal gjenvinnes i de riktige gjenvinnings sylindrene. Systemet skal "skylles" med OFN for å gjøre enheten trygg. Denne prosessen må kanskje gjentas flere ganger. Trykkluft eller oksygen skal ikke brukes til denne oppgaven. Spyling skal oppnås ved å bryte vakuemet i systemet med OFN og fortsette å fylle til arbeidstrykket er oppnådd, deretter ventilere til atmosfæren og til slutt trekke ned til et vakuum. Denne prosessen skal gjentas til det ikke er noe kjølemiddel i systemet. Når den endelige OF-ladningen brukes, skal systemet luftes ned til atmosfæretrykk for å muliggjøre arbeid. Denne operasjonen er helt avgjørende hvis loddearbeid på rørarbeidet skal finne sted. Forsikre deg om at utløpet for vakuumpumpen ikke er i nærheten av antenneskilder, og at det er ventilasjon tilgjengelig.

8. Ladeprosedyrer

I tillegg til konvensjonelle ladeprosedyrer, skal følgende krav følges.

- Forsikre deg om at forurensning av forskjellige kjølemedier ikke forekommer når du bruker ladeutstyr. Slinger eller ledninger skal være så korte som mulig for å minimere mengden kjølemiddel i dem.
- Sylindrene skal holdes stående.
- Forsikre deg om at kjølesystemet er jordet før du fyller systemet med kjølemiddel.
- Merk systemet når ladingen er fullført (hvis ikke allerede).
- Det skal utvises ekstrem forsiktighet for ikke å overfylle kjølesystemet.

Før systemet lades opp igjen skal det testes med OFN. Systemet skal være lekkasjetestet etter fullført lading, men før igangkjøring. En oppfølgingstest skal utføres før du forlater stedet.

9. Avvikling

Før du utfører denne prosedyren, er det viktig at teknikeren er fullstendig kjent med utstyret og alle detaljer. Det anbefales god praksis at alle kjølemidler gjenvinnes trygt. Før oppgaven utføres, skal det tas en olje- og kjølemiddelprøve i tilfelle analyse er nødvendig før gjenbruk av gjenvunnet kjølemedium. Det er viktig at elektrisk strøm er tilgjengelig før oppgaven påbegynnes.

- a) Bli kjent med utstyret og dets drift.
- b) Isoler systemet elektrisk.

- c) Før du prøver prosedyren må du forsikre deg om at:
- Mekanisk håndteringsutstyr er tilgjengelig, hvis nødvendig for håndtering av kjølemediesylindere;
 - Alt personlig verneutstyr er tilgjengelig og brukes riktig;
 - Gjenopprettingsprosessen overvåkes til enhver tid av en kompetent person;
 - Utvinningsutstyr og sylindere er i samsvar med de aktuelle standardene.
- d) Pump ned kjølesystemet, hvis mulig.
- e) Hvis vakuum ikke er mulig, må du lage en manifold slik at kjølemediet kan fjernes fra forskjellige deler av systemet.
- f) Forsikre deg om at cylinderen er plassert på vekten før utvinning skjer.
- g) Start gjenvinningsmaskinen og bruk i samsvar med produsentens instruksjoner.
- h) Ikke fyll sylindrene for mye. (Ikke mer enn 80% volum væskelading).
- i) Ikke overskrid sylindrens maksimale arbeidstrykk, selv ikke midlertidig.
- j) Når sylindrene er fylt riktig og prosessen er fullført, må du sørge for at sylindrene og utstyret fjernes raskt fra stedet og at alle isolasjonsventiler på utstyret er stengt.
- k) Gjenvunnet kjølemedium skal ikke fylles på et annet kjølesystem med mindre det er rengjort og kontrollert.

10. Merking

Utstyr skal merkes med at det er tatt i bruk og tømt for kjølemiddel. Merkelappen skal dateres og signeres. Forsikre deg om at det er merket på utstyret som sier at utstyret inneholder brennbart kjølemiddel.

11. Gjenoppretting

Når du fjerner kjølemiddel fra et system, enten for service eller avvikling, anbefales det god praksis at alle kjølemidler fjernes trygt. Når du overfører kjølemiddel til sylindere, må du sørge for at det bare brukes passende sylindere for gjenvinning av kjølemiddel. Forsikre deg om at riktig antall sylindere for å holde den totale systemladningen er tilgjengelig. Alle sylindere som skal brukes, er utpekt for gjenvunnet kjølemedium og merket for det kjølemediet (dvs. spesielle sylindere for gjenvinning av kjølemedium). Sylindere skal være komplett med trykkavlastningsventil og tilhørende stengeventiler i god stand. Tomme gjenopprettingsflasker evakueres og avkjøles om mulig før gjenoppretting skjer. Gjenvinningsutstyret skal være i god stand med et sett med instruksjoner om utstyret som er tilgjengelig og skal være egnet for gjenvinning av brennbare kjølemedier. I tillegg skal et sett med kalibrerte vekter være tilgjengelig og i god stand. Slinger skal være komplett med lekkasjefrie koblinger og i god stand. Før du bruker gjenvinningsmaskinen, må du kontrollere at den er i tilfredsstillende funksjonsdyktig tilstand, har blitt vedlikeholdt på riktig måte, og at eventuelle tilhørende elektriske komponenter er forseglest for å forhindre antenning i tilfelle utslipp av kjølemedium. Kontakt produsenten hvis du er i tvil. Det gjenvinnte kjølemediet skal returneres til leverandøren av kjølemediet i riktig gjenvinningssylinder, og den relevante avfallsoverføringsnotatet skal ordnes. Ikke bland kjølemidler i gjenvinningsenheter og spesielt ikke i sylindere. Hvis kompressorer eller kompressoroljer skal fjernes, må du forsikre deg om at de har blitt evakuert til et akseptabelt nivå for å sikre at brennbart kjølemiddel ikke forblir i smøremiddelet. Evakueringsprosessen skal utføres før kompressoren returneres til leverandørene. Bare elektrisk oppvarming til kompressorhuset skal benyttes for å akselerere denne prosessen. Når olje dreneres fra et system, skal det utføres på en sikker måte.

Servicepersonellets kompetanse

Generell

Spesiell opplæring i tillegg til vanlige reparasjonsprosedyrer for kjøleutstyr er nødvendig når utstyr med brennbare kjølemedier påvirkes.

I mange land gjennomføres denne opplæringen av nasjonale opplæringsorganisasjoner som er akkreditert for å undervise i de relevante nasjonale kompetansestandardene som kan være fastsatt i lovgivningen.

Oppnådd kompetanse skal dokumenteres med et sertifikat.

Opplæring

Opplæringen skal inneholde innholdet av følgende:

Informasjon om eksplosjonspotensialet til brennbare kjølemidler for å vise at brennbare stoffer kan være farlige når de håndteres uten forsiktighet.

Informasjon om potensielle antenningskilder, spesielt de som ikke er åpenbare, for eksempel lightere, lysbrytere, støvsugere, elektriske ovner.

Informasjon om de forskjellige sikkerhetskonseptene:

Uventilert - Apparatets sikkerhet avhenger ikke av ventilasjon av huset. Å slå av apparatet eller åpne huset har ingen vesentlig innvirkning på sikkerheten. Ikke desto mindre er det mulig at lekkende kjølemedium kan akkumuleres inne i kabinettet, og brennbar atmosfære vil frigjøres når kabinettet åpnes.

Ventilert kapsling - Sikkerheten til apparatet avhenger av ventilasjon av huset. Å slå av apparatet eller åpne skapet har en betydelig innvirkning på sikkerheten. Forsiktighet bør utvises for å sikre tilstrekkelig ventilasjon før.

Ventilert rom - Sikkerheten til apparatet avhenger av ventilasjonen i rommet. Å slå av apparatet eller åpne huset har ingen vesentlig innvirkning på sikkerheten. Ventilasjonen til rommet skal ikke slås av under reparasjonsprosedyrer.

Informasjon om konseptet med forseglede komponenter og forseglede skap i henhold til IEC 60079-15: 2010.

Informasjon om riktige prosedyrer:

a) Igangsettelse

- Forsikre deg om at gulvområdet er tilstrekkelig for kjølevæsketilførselen, eller at ventilasjonsslangen er satt sammen på riktig måte.
- Koble til rørene og utfør en lekkasjetest før du fyller på med kjølemiddel.
- Kontroller sikkerhetsutstyret før du tar det i bruk.

b) Vedlikehold

- Bærbart utstyr skal repareres utenfor eller i et verksted spesielt utstyrt for service av enheter med brennbare kjølemedier.
- Sørg for tilstrekkelig ventilasjon på reparasjonsstedet.
- Vær oppmerksom på at funksjonsfeil på utstyret kan være forårsaket av tap av kjølemiddel, og det er mulig å kjølemedium lekker.
- Utlad kondensatorer på en måte som ikke vil forårsake noen gnist. Standardprosedyren for kortslutning av kondensatorterminalene skaper vanligvis gnister.
- Monter forseglede skap nøyaktig. Hvis selene er slitte, må du bytte dem ut.
- Kontroller sikkerhetsutstyret før du tar det i bruk.

c) Reparere

- Bærbart utstyr skal repareres utenfor eller i et verksted spesielt utstyrt for service av enheter med brennbare kjølemedier.
- Sørg for tilstrekkelig ventilasjon på reparasjonsstedet.
- Vær oppmerksom på at funksjonsfeil på utstyret kan være forårsaket av tap av kjølemiddel, og det er mulig å kjølemedium lekker.
- Utlad kondensatorer på en måte som ikke vil forårsake noen gnist.
- Når det er nødvendig med lodding, skal følgende prosedyrer utføres i riktig rekkefølge:
 - Fjern kjølemediet. Hvis gjenvinning ikke er påkrevd av nasjonale forskrifter, tøm kjølemediet til utsiden. Forsikre deg om at det drenerte kjølemediet ikke forårsaker fare. Ved tvil bør en person beskytte stikkontakten. Vær spesielt forsiktig med at drenert kjølemiddel ikke flyter tilbake i bygningen.
 - Tøm kjølekretsen.
 - Tøm kjølemediekretsen med nitrogen i 5 minutter.
 - Evakuer igjen.
 - Fjern delene som skal byttes ut ved å kutte, ikke med flamme.
 - Rens loddepunktet med nitrogen under loddeprosedyren.
 - Gjennomfør en lekkasjetest før du fyller på med kjølemiddel.

- Monter forseglede skap nøyaktig. Hvis selene er slitte, må du bytte dem ut.
- Kontroller sikkerhetsutstyret før du tar det i bruk.

d) Avvikling

- Hvis sikkerheten påvirkes når utstyret tas ut av drift, skal kjølevæskeladningen fjernes før den tas ut av drift.
- Sørg for tilstrekkelig ventilasjon på utstyrsstedet.
- Vær oppmerksom på at funksjonsfeil på utstyret kan være forårsaket av tap av kjølemiddel, og det er mulig å kjølemedium lekker.
- Utlad kondensatorer på en måte som ikke vil forårsake noen gnist.
- Fjern kjølemediet. Hvis gjenvinning ikke er påkrevd av nasjonale forskrifter, tøm kjølemediet til utsiden. Forsikre deg om at det drenerte kjølemediet ikke forårsaker fare. Ved tvil bør en person beskytte stikkontakten. Vær spesielt forsiktig med at drenert kjølemiddel ikke flyter tilbake i bygningen.
- Tøm kjølekretsen.
- Tøm kjølemediekretsen med nitrogen i 5 minutter.
- Evakuer igjen.
- Fyll med nitrogen opp til atmosfæretrykk.
- Sett en etikett på utstyret som kjølemediet er fjernet.

e) Avhending

- Sørg for tilstrekkelig ventilasjon på arbeidsplassen.
- Fjern kjølemediet. Hvis gjenvinning ikke er påkrevd av nasjonale forskrifter, tøm kjølemediet til utsiden. Forsikre deg om at det drenerte kjølemediet ikke forårsaker fare. Ved tvil bør en person beskytte stikkontakten. Vær spesielt forsiktig med at drenert kjølemiddel ikke flyter tilbake i bygningen.
- Tøm kjølekretsen.
- Tøm kjølemediekretsen med nitrogen i 5 minutter.
- Evakuer igjen.
- Klipp ut kompressoren og tøm oljen.

Transport, merking og lagring av enheter som bruker brennbare kjølemidler

Transport av utstyr som inneholder brennbare kjølemedier

Det gjøres oppmerksom på at det kan eksistere ytterligere transportbestemmelser med hensyn til utstyr som inneholder brennbar gass. Maksimalt antall utstyr eller konfigurasjonen av utstyret som er tillatt å transporteres sammen, vil bli bestemt av gjeldende transportbestemmelser.

Merking av utstyr ved bruk av skilt

Skilt for lignende apparater som brukes i et arbeidsområde er generelt adressert av lokale forskrifter og gir minimumskravene for å gi sikkerhets- og / eller helseskilt for et arbeidssted.

Alle nødvendige tegn skal opprettholdes, og arbeidsgivere bør sørge for at ansatte får passende og tilstrekkelig instruksjon og opplæring om betydningen av passende sikkerhetsskilt og handlingene som må utføres i forbindelse med disse skiltene.

Effektiviteten til tegn bør ikke reduseres ved at for mange tegn plasseres sammen.

Alle piktogrammer som brukes skal være så enkle som mulig og inneholder bare viktige detaljer.

Avhending av utstyr ved bruk av brennbare kjølemedier

Se nasjonale forskrifter.

Lagring av utstyr / apparater

Oppbevaring av utstyr bør være i samsvar med produsentens anvisninger.

Oppbevaring av pakket (usolgt) utstyr

Beskyttelse av oppbevaringspakker bør være konstruert slik at mekanisk skade på utstyret inne i pakken ikke vil forårsake lekkasje av kjølevæsketilførselen.

Maksimalt antall utstyr som kan lagres sammen, vil bli bestemt av lokale forskrifter.

Tak, for købet af dit nye produkt. For at sikre korrekt drift, skal du læse denne vejledning og instruktion omhyggeligt inden brug.

VIGTIGE INSTRUKTIONER

Ved brug af elektriske apparater skal grundlæggende sikkerhedsforanstaltninger altid tages i brug, for at mindske risikoen for brand, elektrisk stød, forbrændinger og andre personskader.

1. Læs og gem disse anvisninger. Bemærk: Billederne i brugsanvisningen er kun vejledende.
2. Dette apparat kan bruges af børn fra 8 år og op samt personer med nedsatte fysiske, sansemæssige eller mentale kapaciteter eller med mangel på erfaring og kendskab, hvis de har været under opsyn eller har modtaget vejledning i apparatets sikre brug og forstår de dertilhørende farer.
3. Børn må ikke leget med apparatet.
4. Rengøring og bruger-vedligeholdelse må ikke udføres af børn uden opsyn.
5. Hvis strømkablet er beskadiget, skal den udskiftes af fabrikanten, dennes servicetekniker eller tilsvarende kvalificeret person for at undgå en fare.
6. Kun til indendørsbrug.
7. Produktet må ikke bruges i et område: Tæt på en brandkilde; hvor olie sandsynligvis sprøjter; hvor produktet udsættes for direkte sollys; hvor vand sandsynligvis sprøjter; i nærheden af et bad, et vaskeri, et brusebad eller en swimmingpool.
8. Stik aldrig fingre eller pinde ind i luftudgangen. Vær særlig opmærksom på at advare børn om disse farer.
9. Hold produktet opad under transport og opbevaring, så kompressoren er placeret korrekt.

10. Sluk og afbryd altid produktet, inden det samles, rengøres og flyttes.
11. For at undgå muligheden for brand, må produktet ikke tildækkes.
12. Alle stik på klimaanlægget skal overholde de lokale elektriske sikkerhedskrav. Kontroller dem i henhold til kravene, hvis nødvendigt.
13. Produktet skal installeres i overensstemmelse med nationale regler for ledningsføring.
14. Oplysninger om sikringernes type og klassificering: T, 250V vekselstrøm (AC), 3,15 A.
15. Kontakt en autoriseret tekniker for reparation og vedligeholdelse af produktet.
16. Ledningen må ikke trækkes i, deformeres eller ændres, eller nedsænkes i vand. Hvis der trækkes i ledningen eller hvis den misbruges, kan det føre til beskadigelse af produktet og forårsage elektrisk stød.
17. Nationale gasregler skal altid overholdes.
18. Servicingen må kun udføres som anbefalet af udstyrets producent. Vedligeholdelse og reparation, der kræver hjælp fra andet kvalificeret personale, skal udføres under tilsyn af en person, der er kompetent i brugen af brændbare kølemidler.
19. Produktet må ikke bruges eller stoppes ved at tilslutte eller afbryde stikket, da dette kan forårsage elektrisk stød eller brand på grund af varmeudvikling.
20. Hvis mærkelige lyde, lugte eller røg kommer ud af produktet, skal det afbrydes fra stikkontakten.
21. Slut altid apparatet til en jordforbundet stikkontakt.
22. I tilfælde af skader, skal du slukke på kontakten, afbryde strømforsyningen og kontakte et autoriseret servicecenter for reparation.
23. Brug ikke andre midler til at fremskynde afrimningsprocessen eller rengøringen, udover dem, der er anbefalet af producenten.

24. Produktet skal opbevares i et rum uden antændelseskilder, der er i uafbrudt drift (for eksempel: Åben ild, et gasapparat, der er i drift, eller et elektrisk varmelegeme, der er i drift).
25. Produktet må ikke gennembøres eller brændes.
26. Vær opmærksom på, at kølemidler muligvis ikke lugter.
27. Dette apparat indeholder kølemiddelgas R290. R290 er en kølemiddelgas, der overholder de europæiske miljødirektiver. Kølemiddelkredsløbet må ikke gennembøres nogen steder.
28. Hvis produktet installeres, betjenes eller opbevares i et ikke-ventileret område, skal rummet være designet til at forhindre ophobning af kølemiddeludslip, der medfører risiko for brand eller eksplosion på grund af antændelse af kølemidlet forårsaget af elektriske varmeapparater, komfurer eller andet antændelseskilder.
29. Produktet skal opbevares på en sådan måde, at mekaniske fejl undgås.
30. Enkeltpersoner, der bruger eller arbejder på kølemiddelkredsløbet, skal have den relevante certificering udstedt af en godkendt organisation, der sikrer kompetence til håndtering af kølemidler i henhold til en specifik evaluering, der skal være anerkendt af brancheforeninger.
31. Reparationer skal udføres efter anbefaling fra producentfirmaet. Vedligeholdelse og reparationer, der kræver hjælp fra andet kvalificeret personale, skal udføres under opsyn af en person, der er kompetent i brugen af brændbare kølemidler.
32. Du kan finde instruktionerne til reparation af apparater, der indeholder R290 i nedenstående afsnit.
33. Apparatet skal altid stå uden brug i mindst 2 timer, hvis det flyttes fra et sted til et andet.



Advarsel: Risiko for brand/antændelige materialer.



Læs brugsvejledningerne.



Brugsvejledning; brugsinstruktioner.



Serviceindikator; læs den tekniske vejledning.

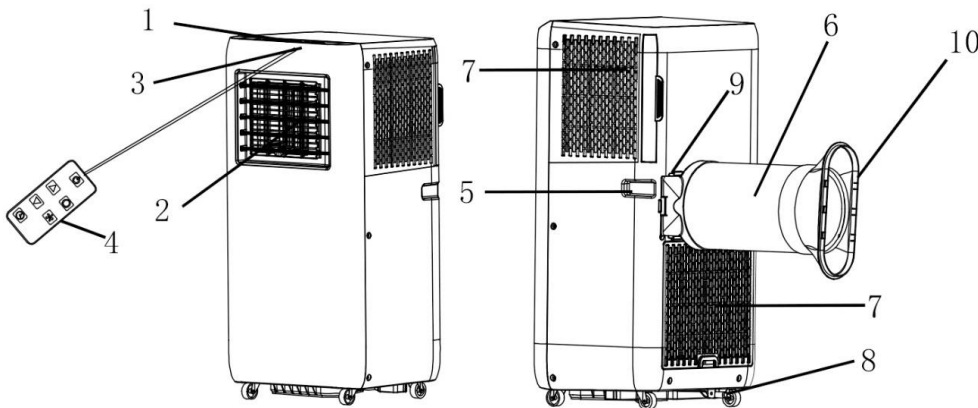
Advarsel: Hold ventilationsåbningerne fri for tildækninger.

Advarsel: Produktet skal opbevares i et velventileret område, hvor rummets størrelse passer til rumstørrelsen, der er angivet til driften.

Der skal mindst være en fri afstand på 30 cm rundt om produktet.

Produktet skal installeres, bruges og opbevares i et rum med et gulvareal på mindst 4 m².

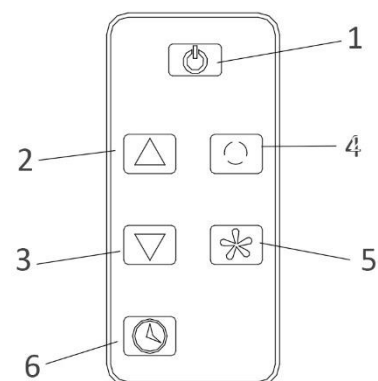
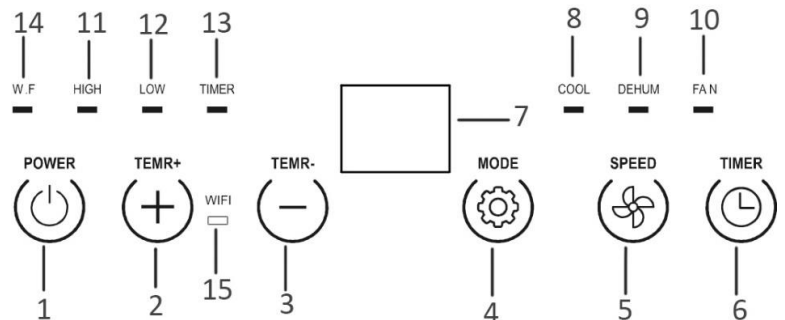
BESKRIVELSE AF DELENE



1. Betjeningspanel
2. Luftudtag og lameller
3. Signalmodtager
4. Fjernbetjening
5. Håndtag
6. Slange til luftudtag
7. Luftindtag og luftfilter
8. Afløbshul (med prop)
9. Slangestik
10. Vindue-adapter

Betjeningspanel og fjernbetjening

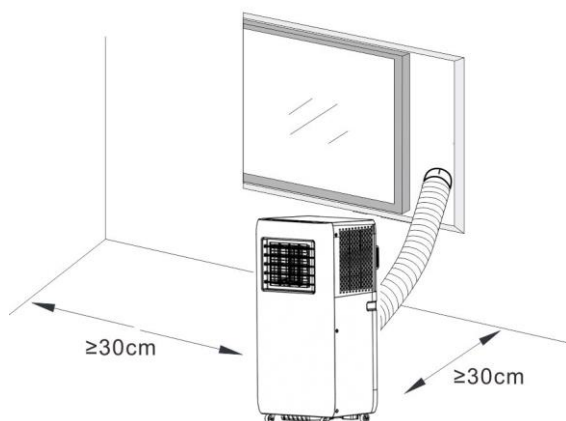
1. Tænd/sluk-knap
2. Knap til forøgelse af temperatur/timer
3. Knap til reducere af temperatur/timer
4. Funktionsknap
5. Ventilatorstyrke-knap
6. Timer-knap
7. Digital skærm
8. Lysindikator til kølefunktion
9. Lysindikator til affugtningsfunktion
10. Lysindikator til ventilatorfunktion
11. Lysindikator til høj blæsestyrke
12. Lysindikator til lav blæsestyrke
13. Timerindikator
14. Lysindikator til fuld vandbeholder
15. Wi-Fi-lysindikator



Denne enhed har en fjernbetjening. Et stykke CR2025-batteri følger med fjernbetjening. Inden fjernbetjeningen tages i brug, skal du fjerne plastikbeskyttelsen på batteriet. Hvis batteriet skal skiftes, bedes du se vejledningerne bag fjernbetjeningen. Hvis den ikke skal bruges i længere tid, så tag batteriet ud af fjernbetjeningen. Hold knapcelle-batterierne ude af børns rækkevidde.

OPSTILLING

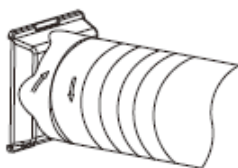
- Enheden skal stilles på en plan overflade, hvor luftudgangen ikke tildækkes. Der skal mindst være en fri afstand på 30 cm rundt om enheden.



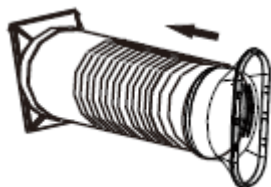
- Enheden må ikke opstilles i et vaskerum.
- Træk slangen til luftudtaget ud, ved at trække i slangens ender.



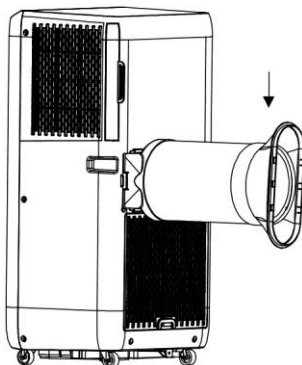
- Skru slangen til luftudtaget på slangesticket.



- Skru den anden ende af slangen til luftudtaget på vindue-adapteren.



- Sæt slangesticket i beslaget bag på enheden.



BETJENING

*Apparatet skal altid stå uden brug i mindst 2 timer, hvis det flyttes fra et sted til et andet.

Inden brug skal du sørge for, at slangen til udtaget er sat ordentligt på. Sæt apparatet i stikkontakten. Lamellerne kan justeres manuelt.

1. Tænd/sluk-knap

Tryk på tænd/sluk-knappen for, at tænde apparatet. Apparatet begynder at køre.

Tryk på knappen igen, hvorefter apparatet slukker.

2. Knapperne til forøgelse og reducere af temperaturen/timeren

Tryk på knappen „+“/„-“ på betjeningspanelet eller på „▲“/„▼“ på fjernbetjeningen for, at indstille den ønskede rumtemperatur fra 15°C til 31°C. Knapperne kan også bruges til timerjustering, når timeren indstilles. For hvert tryk forøges/reduceres værdien med 1 (°C/time).

3. Ventilatorstyrke-knap

Tryk på knappen til ventilatorstyrken for, at skifte mellem lav og høj blæsestyrke. Indikatoren lyser „LAV“/„HØJ“ i henhold til indstillingen.

4. Funktionsknap

Tryk på funktionsknappen, for at vælge den ønskede driftsfunktion. Der kan vælges mellem køling, affugtning og blæsning. Når den ønskede funktion vælges, begynder den tilsvarende indikator at lyse.

- Kølefunktion

Når stuetemperaturen er højere end den indstillede temperatur, begynder kompressoren at køre.

Når stuetemperaturen er lavere end den indstillede temperatur, stopper kompressoren, og ventilatoren kører på den oprindelige indstillede styrke.

Bemærk: Når kompressoren kører, vibrerer enheden en smule. Dette er normalt og harmløst.

- Affugtningsfunktion

På affugtningsfunktionen kører ventilatoren på en lav hastighed. Ventilatorstyrken og temperaturen kan ikke justeres.

Kompressoren stopper efter 8 minutter, og starter igen efter 6 minutter. Dette gentages.

- Ventilatorfunktion

Når ventilatoren kører på den indstillede styrke, kører kompressoren ikke.

Det gør ingen forskel, at justere temperaturen, når enheden står på ventilatorfunktionen.

5. Timer-knap

Indstilling af automatisk opstart

- Når apparatet er slukket, skal du trykke på timer-knappen, hvorefter timer-indikatoren begynder at blinke.
- Tryk på knappen til forøgelse eller reducere af timeren, for at vælge, hvornår enheden automatisk skal starte. Du kan vælge mellem 1-24 timer. Timerindikatoren blinker i et par sekunder og begynder at lyse. Den digitale skærm er slukket. Timer-indstillingen er bekræftet.
- Du kan vælge blæserhastighed eller funktionen på samme tid.
- Apparatet starter derefter automatisk, når den indstillede tid er gået.

Indstilling af automatisk nedlukning

- Når apparatet er tændt, skal du trykke på timer-knappen, hvorefter timer-indikatoren begynder at blinke.
- Tryk på knappen til forøgelse eller reducere af timeren, for at vælge, hvornår enheden automatisk skal slukke. Du kan vælge mellem 1-24 timer. Timerindikatoren blinker i et par sekunder og begynder at lyse. Timer-indstillingen er bekræftet.
- Apparatet slukker derefter automatisk, når den indstillede tid er gået.

For at annullere timeren, skal du trykke på timerknappen, når timerindikatoren blinker. Tryk derefter på timerknappen igen. Herefter går lyset i timer-indikatoren ud.

BEMÆRK:

- I forholdene nedefor, kan beskyttelsesenheden udløses og stoppe apparatet.

Køling	Hvis rumtemperaturen er over 43°C.
--------	------------------------------------

	Hvis rumtemperaturen er under 15°C.
Tørring	Hvis rumtemperaturen er under 15°C.

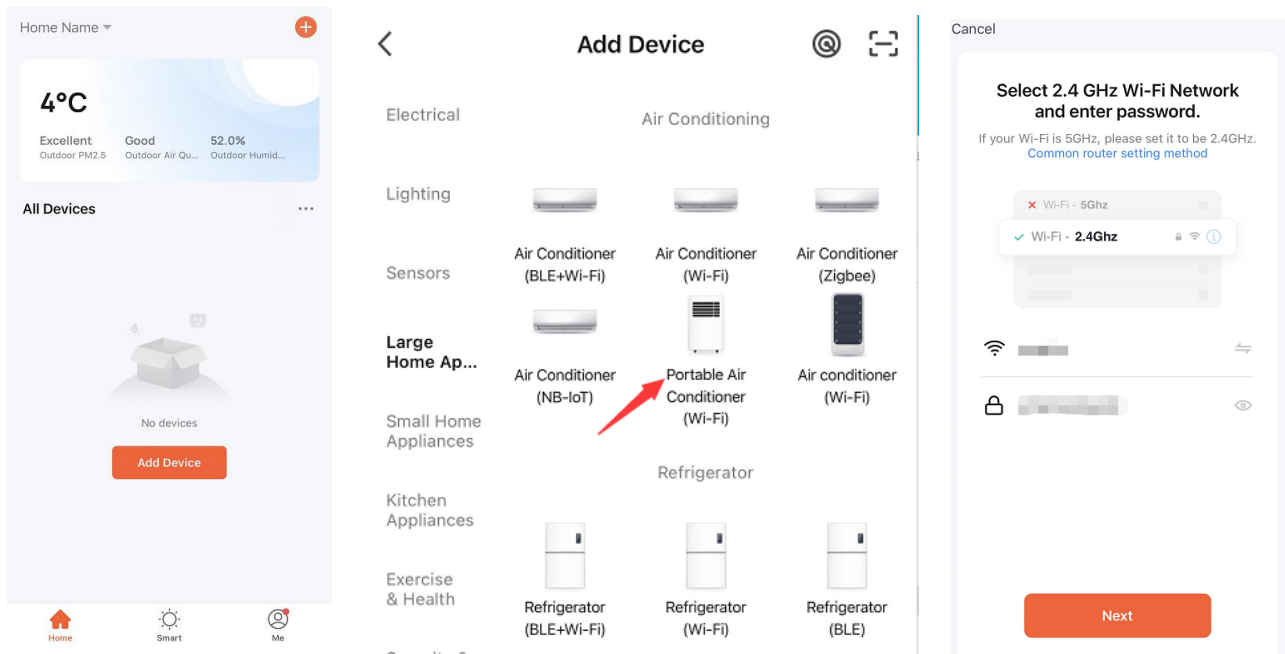
- Hvis apparatet kører på køle- eller tørrefunktionen med døren eller vinduet åbent i lang tid, og den relative luftfugtighed er over 80 %, kan dug dryppe fra luftudtaget.

Dræning af vand

- 1) Særlig påmindelse: Der løber kondensvand rundt i dette apparat. Kondensvandet genbruges delvist mellem kondensatoren og vandbakken. Når vandstanden stiger til det øverste niveau, vises koden for fuld vandbeholder "E4" på den digitale skærm, for at minde brugeren om at dræne vandet.
- 2) Afbryd strømforsyningen, flyt apparatet til et passende sted, træk proppen ud af afløbsåbningen, for at dræne vandet. Hvis forholdene tillader det, kan du også slutte afløbsslangen til afløbsåbningen, for at dræne vandet.
- 3) Efter dræningen skal du sætte proppen tilbage i afløbsåbningen, ellers kan apparatet lække og gøre rummet vådt.

Vejledning til Wi-Fi-forbindelsen (Vejledningen til appen opdateres muligvis ikke regelmæssigt på grund af softwareopgraderinger eller af andre årsager. Disse instruktioner er kun beregnet som en vejledning.):

1. Søg efter "Tuya smart" i App Store (i iOS) eller Google Play (i Android), og download appen "TuyaSmart" på din telefon. Opret en konto eller log på din konto i Tuya.
2. Sørg for, at apparatet er i standby. Hold funktionsknappen nede, indtil der høres en biplyd. Wi-Fi-indikatoren blinker hurtigt.
3. Tryk på „+“ foroven til højre eller på knappen „Tilføj enhed“ på Tuyas startside for, at tilføje dit apparat.
4. Find kategorien „Portable Air Conditioner“. Tryk på ikonet, hvorefter du bliver bedt om at bruge 2,4 GHz Wi-Fi-netværket. Bemærk, at 5 GHz Wi-Fi ikke understøttes af denne app.
5. Indtast din Wi-Fi-adgangskode, og opret Wi-Fi-forbindelsen. Bekræft at Wi-Fi-indikatoren blinker hurtigt, tryk på „Næste“, hvorefter appen søger efter apparatet og tilføjer det.



6. Når apparatet er blevet tilføjet, lyser Wi-Fi-indikatoren stadig.
7. Nu kan du bruge appen til, at betjene apparatet.

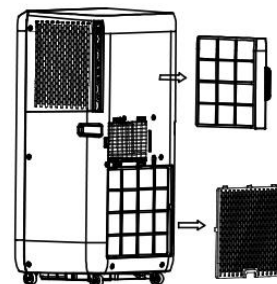
Bemærk:

- Tryk på funktionsknappen i appen, og vælg mellem „Kold, Tør og Ventilator“. Tør-funktionen er den samme som affugtningsfunktionen.

- Tryk på temperaturskærmen for, at skifte mellem Fahrenheit og Celsius.
- Når apparatets netværksmiljø er blevet ændret, skal det konfigureres igen.
- Du kan tænde/slukke for Wi-Fi-funktionen ved at holde funktionsknappen på betjeningspanelet nede, når apparatet er på standby. Når Wi-Fi-indikatoren blinker hurtigt, venter apparatet på at blive parret. Når Wi-Fi-indikatoren lyser, er Wi-Fi-forbindelsen blevet oprettet. Når Wi-Fi-indikatoren slukker, er Wi-Fi-forbindelsen blevet afbrudt.

RENGØRING OG VEDLIGEHOLDELSE

- Sørg for at afbryde apparatet fra stikkontakten inden rengøring.
- Brug ikke benzin eller andre kemikalier til rengøring af apparatet.
- Apparatet må ikke vaskes.
- Kontakt forhandleren eller værkstedet, hvis apparatet er beskadiget.



Luftfilter

Hvis luftfilteret bliver tilstoppet med støv/snavs, skal det rengøres en gang hver anden uge.

- Træk luftfiltrene ud, ved at trække i tappen.
- Rengør luftfiltret med naturlig rengøringsmiddel i lunkent vand (< 40°C) og lad det tørre i skyggen.
- Sæt luftfiltret i igen.

Rengør overfladen

Rengør først overfladen med et naturligt rengøringsmiddel og en våd klud, og tør det af med en tør klud.

FEJLFINDING

Følgende tilfælde er muligvis ikke en fejl. Læs venligst forslagene nedenfor, før du beder om hjælp.

Problem	Analyse
Kører ikke	<ul style="list-style-type: none"> • Se om beskyttelsesfunktionen er gået i gang eller om sikringen er gået. • Vent i 3 minutter og start igen. Beskyttelsesenheden forhindrer muligvis enheden i at køre. • Se om batterierne i fjernbetjeningen er brugt op. • Se om stikket er ordentligt tilsluttet.
Produktet kører kun i et kort stykke tid	<ul style="list-style-type: none"> • Hvis den indstillede temperatur er tæt på stuetemperatur, kan du sænke den indstillede temperatur. • Luftudtaget er blokeret af en genstand. Fjern genstanden.
Vand lækker, når produktet flyttes	<ul style="list-style-type: none"> • Dræn kondensvandet, før du flytter produktet. • For at undgå lækkende vand, skal du stille produktet på et fladt underlag.
Produktet kører ikke og vand fuld-indikatoren viser „E4“	<ul style="list-style-type: none"> • Træk gummiproppen ud vandafløbet. • Hvis dette ofte sker, skal du kontakte en kvalificeret tekniker.
Apparatet stopper automatisk	<ul style="list-style-type: none"> • Timing lukket ned • Den indstillede temperatur er nået

TEKNISKE DATA

Dataene nedenfor er dine driftsreferencer

Model	PAC-127277
Nominel spænding	220-240V
Nominel frekvens	50Hz
Nominel indgang	750W
Nominal strøm	3.4A
Kølekapacitet	7000BTU
Fugtjernelse (L/T)	0.8
Luftstrøm	270m ³ /h

Maks. sendeeffekt	17.5dBm
Frekvensområde	2412-2472MHz

Vi, Emerio, erklærer på eget ansvar, at produktet: PAC-127277 er i overensstemmelse med hovedkravene og andre relevante krav i RED-direktivet (2014/53/EU)

Du kan finde hele CE-erklæringen på følgende adresse: www.emerio.eu

ERP-OPLYSNINGER

	Værdi
Varemærker	Emerio
Modelidentifikation	PAC-127277
Støjniveau (køling)	64dB(A)
Navn på kølemiddel	R290
Nominel indgangseffekt til køling (kW)	0.755
Nominel energieffektivitetsforhold	2.7
GWP (kgCO ₂ eq)	3
Energieffektivitetsklasse	A
Energiforbrug på apparater med to kanaler (kWh/t)	-
Energiforbrug på apparater med en kanal (kWh/t)	0.755
Strømforbruget på termostat-slukket (W)	-
Strømforbruget på standby (W)	0.85
Kølekapacitet	7000BTU
<p>Lækage af kølemiddel bidrager til klimaændringer. Kølemiddel med en lavere global opvarmningspotentiale (GWP) har mindre effekt på den globale opvarmning end et kølemiddel med højere GWP, hvis det lækkes ud i atmosfæren. Dette apparat indeholder en kølemiddelvæske med en GWP lig med 3. Dette betyder, at hvis 1 kg af denne kølemiddelvæske lækkes ud i atmosfæren, påvirkes den globale opvarmning 3 gange mere end med 1 kg CO₂ over en periode på 100 år. Du må aldrig selv ændre på kølemiddelkredsløbet eller adskille produktet. Bed altid en professionel om hjælp.</p> <p>#Energiforbruget er 0.755 kWh på model PAC-127277 ved 60 minutters brug under standard testforhold. Det faktiske energiforbrug afhænger af, hvordan enheden bruges og hvor den står.</p> <p>For yderligere oplysninger, bedes du venligst kontakte:</p> <p>Emerio International AB Smedjegatan 6 131 54 Nacka Sweden</p>	

GARANTI OG KUNDESERVICE

Før vores apparater leveres, undergår de en streng kvalitetskontrol. Skulle du på trods af al vores umagen modtage et produkt med en skade fra fremstilling eller transport, bedes du levere det tilbage til din forhandler. Udover de obligatoriske juridiske rettigheder, kan køberen også stille krav under vilkårene i den følgende garanti:

Vi giver 2 års garanti på det købte produkt, begyndende på salgsdagen. Hvis du har et defekt produkt, kan du henvende dig direkte ved salgsstedet.

Denne garanti dækker ikke defekter som opstå som konsekvens af forkert håndtering eller fejl som følge af manipulation og reparationer udført af tredjeparter, eller montering af ikke-originale dele. Gem altid din kvittering, da du uden kvitteringen ikke kan gøre krav på nogen form for garanti. Skader som opstår fordi brugervejledningen ikke følges, medfører at garantien bortfalder, og hvis dette har efterfølgende skader, er vi ikke ansvarlige på nogen måde. Vi kan heller ikke holdes ansvarlige for materielle eller personskade forårsaget af forkert brug, hvis brugervejledningen ikke følges korrekt. Skade på tilbehør betyder ikke at hele apparatet bliver erstattet. I sådanne tilfælde bedes du rette henvendelse til vores serviceafdeling. Brud på

glas og plastdele erstattes altid mod betaling. Defekter på forbrugsartikler eller dele som er udsat for slidtage, samt rengøring, vedligeholdelse eller erstatning af disse dele er ikke dækket af garantien, og der bliver opkrævet betaling for sådanne tjenester.

MILJØVENLIG BORTSKAFFELSE



Genbrug – EU direktiv 2012/19/EU

Denne markering betyder at dette produkt ikke må bortskaffes sammen med almindeligt husholdningsaffald. skader på miljøet eller menneskers sundhed som følge af ukontrolleret bortskaffelse af affald, skal det genbruges ansvarligt med henblik på bæredygtig genanvendelse af materialeressourcer. Til returnering af den brugte enhed skal man benytte retur- og indsamlingsystemerne eller kontakte den forhandler, hvor produktet blev købt. De kan modtage dette produkt med henblik på miljømæssig sikker genbrug.



BATTERIET SKAL GENBRUGES ELLER BORTSKAFFES KORREKT. MÅ IKKE ÅBNES. MÅ IKKE BRÆNDES ELLER KORTSLUTTES.

INSTRUKTIONER TIL REPARATION AF APPARATER, DER INDEHOLDER R290

1. Servicing

1) Kontrol af området

Inden der arbejdes med systemer, der indeholder brandbare kølemidler, skal der udføres sikkerhedskontrol for, at risikoen for antændelse minimeres. Ved reparation af kølesystemet skal følgende forholdsregler overholdes, før der udføres arbejde på systemet.

2) Arbejdsprocedure

Arbejdet skal udføres under en kontrolleret forhold for at minimere risikoen for, at der er brandfarlig gas eller dampe til stede, når arbejdet udføres.

3) Generelt arbejdsområde

Alt vedligeholdelsespersonale og andre, der arbejder i lokalområdet, skal oplyses om, hvilken form for arbejde, der udføres. Arbejde i lukkede rum skal undgås. Området omkring arbejdsområdet skal lukkes af. Sørg for, at forholdene inden for området er gjort sikre, ved at kontrollere efter brændbare materialer.

4) Kontrollerer for tilstedeværelse af kølemiddel

Området skal kontrolleres med en passende kølemiddeldetektor før og under arbejde for at sikre, at teknikeren er opmærksom på potentielt brandfarlige atmosfærer. Sørg for, at udstyret, der bruges til at finde utætheder er egnet til brug med brændbare kølemidler, dvs. det må ikke slå gnister, det skal være tilstrækkeligt tæt og det skal være egensikker.

5) Tilstedeværelse af en ildslukker

Hvis der skal udføres el-arbejde på køleudstyret eller tilhørende dele, skal passende brandslukningsudstyr være til rådighed. Sørg for, at have en pulverlukker eller CO₂ ildslukker ved siden af påfyldningsområdet.

6) Ingen antændelseskilder

Personer, der udfører arbejde i forbindelse med et kølesystem med rør, der indeholder eller har indeholdt brændbart kølemiddel, må ikke bruge antændelseskilder på en sådan måde, at det kan medføre risiko for brand eller eksplosion. Alle mulige antændelseskilder, herunder cigaretrykning, skal holdes tilstrækkeligt langt væk fra installationsstedet, samt under reparation, fjernelse og bortskaffelse af udstyr, hvor brandfarligt kølemiddel muligvis kan frigives i rummet. Inden arbejdet påbegyndes, skal området omkring udstyret undersøges for at sikre, at der ikke er nogen brandfarlige farer eller antændelsesrisici. "Ingen rygning" skilte skal hænges op.

7) Ventileret område

Sørg for, at området er åbent, eller at det er tilstrækkelig ventileret, inden du åbner systemet eller udfører el-arbejde. Der skal være løbende ventilation, når arbejdet udføres. Ventilationen skal kunne spredes eventuelt frigivet kølemiddel sikkert, så det løber ud i atmosfæren.

8) Kontrol af køleudstyret

Når elektriske dele udskiftes, skal de være egnede til formålet og til den korrekte specifikation. Producentens retningslinjer for vedligeholdelse og service skal altid følges. Hvis du er i tvivl, skal du kontakte producentens tekniske afdeling for hjælp.

Følgende skal kontrolleres på installationer, der bruger brandfarlige kølemidler:

- At tilførselsmængden passer til størrelse på rummet, hvor de kølemiddelholdige dele er installeret;
- At ventilationsmaskinerne og -udtagene virker ordentligt og ikke er blokeret.
- Hvis der bruges et indirekte kølekredsløb, skal det andet kredsløb kontrolleres for tilstedeværelse af kølemiddel.
- At mærkning på udstyret altid er synlig og læselig. Alle mærker og tegn, der er ulæselige, skal rettes.
- At kølerør og køledele installeres i en position, hvor de sandsynligvis ikke udsættes nogen stoffer, der kan korrodere kølemiddelholdige dele, medmindre delene er lavet af materialer, der er modstandsdygtige over for korrosion eller er passende beskyttet mod korrosion.

9) Kontrol af elektriske apparater

Reparation og vedligeholdelse af elektriske dele skal omfatte indledende sikkerhedskontrol og kontrol af dele. Hvis der findes en fejl, der kan påvirke sikkerheden, må der ikke sluttes en strømforsyning til kredsløbet, før fejlen er blevet rettet. Hvis fejlen ikke kan rettes med det samme, men det er nødvendigt at fortsætte driften, skal der findes en passende midlertidig løsning. Dette skal rapporteres til ejeren af udstyret, så alle parter underrettes. Den indledende sikkerhedskontrol skal omfatte:

- At kondensatorerne tømmes: Dette skal ske på en sikker måde, så muligheden for gnistdannelser undgås;
- At der ikke er nogen udsatte strømførende dele eller ledninger under opfyldning, tømning og rensning af systemet;
- At der hele tiden er jordforbindelse.

2. Reparationer af forseglede dele

- 1) Under reparationer af forseglede dele skal alle strømforsyninger til udstyret, der arbejdes på, afbrydes, inden fjernelse af forseglede dæksler osv. Hvis en strømforsyning til udstyret er absolut nødvendigt under serviceringen, skal en form for detektion af utætheder placeres på det mest kritiske punkt, som skal køre hele tiden, for at advare om potentielle farlige situationer.
- 2) Når der arbejdes på elektriske dele, skal der lægges særlig vægt på følgende for at sikre, at kabinettet ikke ændres på en sådan måde, at det påvirker beskyttelsesniveauet. Dette skal omfatte skader på kabler, for mange forbindelser, klemmer, der ikke er fremstillet i henhold til den originale specifikation, beskadigelse af pakninger, forkert montering af kirtler osv.

Sørg for, at apparatet er monteret sikkert. Sørg for, at pakninger og pakningsmaterialer ikke er nedslidt, så de ikke længere forhindrer indtrængning af brændbare atmosfærer. Reservedelene skal være i overensstemmelse med producentens specifikationer.

BEMÆRK: Brug af silikonetætningsmiddel kan gøre nogle detektorer til utætheder mindre effektive. Egensikre dele skal ikke nødvendigvis isoleres, inden der arbejdes på dem.

3. Reparation af egensikre dele

Brug ikke permanente induktive eller kapacitetsbelastninger på kredsløbet uden at sikre, at dette ikke overstiger udstyrets tilladte spænding og strøm. Egensikre dele er de eneste strømførende dele, der kan arbejdes på i en brandfarlig atmosfære. Testapparatet skal have den korrekte værdi. Udskift kun med dele, der er specificeret af producenten. Andre dele kan føre til antændelse af kølemiddel i atmosfæren fra en utæthed.

4. Kabelføring

Sørg for, at kablerne ikke udsættes for slid, korrosion, for stort tryk, vibrationer, skarpe kanter eller andre skadelige miljøpåvirkninger. Når dette kontrolleres, skal der også tages højde for virkningerne af aldring og vedvarende vibrationer fra kilder såsom kompressorer og ventilatorer.

5. Påvisning af brændbare kølemidler

Under ingen omstændigheder må potentielle antændelseskilder anvendes til søgning efter eller påvisning af utætheder af kølemiddel. Der må ikke bruges en halogenbrænder (eller en anden detektor, der bruger åben ild).

6. Metoder til detektering af utætheder

Følgende metoder til detektering af utætheder anses for acceptable for systemer, der indeholder brandfarlige kølemidler.

Elektroniske detektorer til utætheder skal bruges til at detektere brændbare kølemidler, men de er muligvis ikke følsomme nok eller de skal muligvis kalibreres igen. (Detektionsudstyret skal kalibreres i et kølemiddel-frit område). Sørg for, at detektoren ikke er en mulig antændelseskilde og er egnet til det anvendte

kølemiddel. Detekteringsudstyr til utætheder skal indstilles til en procentdel af kølemidlets LFL og skal kalibreres til det anvendte kølemiddel, og den passende procentdel af gas (maksimalt 25 %) skal bekræftes. Væsker til detektering af utætheder er velegnede til brug med de fleste kølemidler, men brug af rengøringsmidler med klor skal undgås, da klor kan reagere med kølemidlet og korrodere kobberørene. Hvis der er mistanke om lækage, skal al åben ild fjernes/slukkes. Hvis der er utætheder med kølemiddel, der skal loddet, skal al kølemidlet fjernes fra systemet eller isoleres (med en lukkeventiler) i en del af systemet, der er langt fra det utætte område. Iltfrit nitrogen (OFN) skal derefter skylles gennem systemet både før og under lodningen.

7. Fjernelse og evakuering

Når kølemiddelkredsløbet åbnes, for at udføre reparationer - eller af en anden årsag - skal der bruges konventionelle procedurer. Det er dog vigtigt, at bedste praksis følges, da dette udgør en risiko for brand. Følgende procedure skal følges:

- Fjern kølemidlet;
- Rens kredsløbet med inert gas;
- Tøm;
- Rens igen med inert gas;
- Åbn kredsløbet ved at skære eller lodde det op.

Kølemiddeltilførslen skal tømmes ud i de korrekte genvindingscylindre. Systemet skal "skylles" med OFN, for at gøre enheden sikker. Denne proces skal muligvis gentages flere gange. Trykluft eller ilt må ikke bruges til dette. Skylning skal gøres ved, at åbne vakuummet i systemet med OFN. Fortsæt med at fylde op, indtil driftstrykket opnås, og udluft derefter til atmosfæren og træk til sidst ned, så det bliver et vakuum igen. Denne proces skal gentages, indtil der ikke er noget kølemiddel i systemet. Under den sidste opfyldning af OFN, skal systemet udluftes ned til et atmosfærisk tryk, så der kan arbejdes med det. Denne handling er helt afgørende, hvis rørende skal loddet. Sørg for, at vakuumpumpens udløb ikke er for tæt på antændelseskilder, og at der er ventilation tilgængelig.

8. Tilførelsesmåder

Ud over konventionelle tilførelsesmåder, skal følgende krav følges.

- Sørg for, at der ikke forekommer forurening af forskellige kølemidler, når du bruger tilførselsudstyr. Slangor eller ledninger skal være så korte som muligt for, at minimere mængden af kølemiddel dem.
- Cylindrene skal holdes lodret.
- Sørg for, at kølesystemet er jordforbundet, inden systemet fyldes med kølemiddel.
- Mærk systemet, når det er fyldt op (hvis det ikke allerede er mærket).
- Der skal udvises ekstrem forsigtighed for ikke at fylde kølesystemet for meget op.

Før systemet fyldes op, skal det testes med OFN. Systemet skal undersøges for utætheder, når det er blevet fyldt op, men inden det sættes i drift. En opfølgende undersøgelse for utætheder skal udføres, inden du forlader stedet.

9. Nedlukning

Før denne procedure udføres, er det vigtigt at teknikeren er helt fortrolig med udstyret og alle dets detaljer. Det anbefales at opretholde en god praksis, så alt kølemidlet tømmes sikkert i. Inden opgaven udføres, skal der tages en olie- og kølemiddelprøve, hvis der skal udføres en analyse inden kølemiddel, der er taget ud, bruges igen. Det er vigtigt, at der er elektrisk strøm er tilgængeligt, før opgaven påbegyndes.

- a) Bliv fortrolig med udstyret, og hvordan det bruges.
- b) Isolér systemet elektrisk.
- c) Inden du prøver proceduren, skal du sikre dig:
 - At mekanisk håndteringsudstyr er tilgængeligt, hvis dette skal bruges til håndtering af

kølemiddelcylindrene.

- At alt personligt beskyttelsesudstyr er tilgængeligt og bruges korrekt.
 - At en kompetent person hele tiden holder øje med tømning.
 - At tømningsudstyret og cylindrene overholder de relevante standarder.
- d) Pump kølemiddelsystemet ned, hvis muligt.
- e) Hvis et vakuum ikke er muligt, skal du lave en manifold, så kølemidlet kan fjernes fra forskellige dele af systemet.
- f) Sørg for, at cylinderen er placeret på vægten, før tømningen finder sted.
- g) Start tømningsmaskinen og betjen i overensstemmelse med producentens vejledninger.
- h) Cylindrene må ikke fyldes for meget op. (Systemet må højst fyldes 80 % op med flydende væske).
- i) Overskrid ikke cylinderens maksimale driftstryk, heller ikke midlertidigt.
- j) Når cylindrene er fyldt korrekt og processen er færdig, skal du sørge for, at cylindrene og udstyret straks fjernes fra stedet, og at alle isoleringsventiler på udstyret er lukket.
- k) Tømt kølemiddel må ikke fyldes i et andet kølesystem, medmindre det er blevet rensat og kontrolleret.

10. Mærkning

Udstyr skal mærkes med oplysninger, der siger at det er taget ud af drift og tømt for kølemiddel. Mærkatet skal dateres og underskrives. Sørg for, at der er mærkater på udstyret, der viser at udstyret indeholder brandfarligt kølemiddel.

11. Tømning

Når kølemiddel fjernes fra et system - hvis systemet skal serviceres eller tages ud af drift - anbefales det at bruge god praksis, og fjerne alt kølemiddel sikkert. Når du overfører kølemiddel til cylindre, skal du sørge for kun at bruge passende cylindre, der er beregnet til kølemiddel. Sørg for, at der er nok cylindre til at holde den samlede systemopladning. Alle cylindre, der skal bruges, skal være beregnet til kølemiddel og mærket med kølemidlet (dvs. særlige cylindre til kølemiddel). Cylindrene skal være udstyret med trykaflastningsventil og tilhørende afspærringsventiler, der skal være i god stand. Tomme opsamlingscylindre skal tømmes og afkøles, hvis muligt, inden tømning. Tømningsudstyret skal være i god stand og med instruktioner om det pågældende udstyr. Og det skal være egnet til brandbare kølemidler. Derudover skal et sæt kalibrerede vægte være til rådighed og de skal være i god stand. Slangerne skal være udstyret med lækagefri koblinger til afbrydning, og de skal være i god stand. Før du bruger tømningsmaskinen, skal du kontrollere, at den er i god stand, er blevet vedligeholdt korrekt og at alle tilknyttede elektriske komponenter er forseglet, for at forhindre antændelse i tilfælde af frigivelse af kølemiddel. Kontakt producenten, hvis du er i tvivl. Kølemidlet der tømmes ud, skal returneres til kølemiddeleverandøren i den korrekte cylinder, og i henhold til den relevante affaldsoverførsel. Bland ikke kølemidler i beholdere og især ikke i cylindrene. Hvis kompressorer eller kompressorolier skal fjernes, skal du sørge for at de er udtømt til et acceptabelt niveau så du sikrer, at brændbart kølemiddel ikke forbliver i smøremidlet. Udtømningen skal udføres inden kompressoren returneres til leverandørerne. Kun elektrisk opvarmning til kompressorkabinettet må bruges til, at fremskynde denne proces. Når olie drænes fra et system, skal det gøres sikkert.

Servicepersonalets kompetence

Generelt

Der kræves særlig uddannelse - ud over de sædvanlige reparationsprocedurer for køleudstyr - når udstyr med brandfarlige kølemidler påvirkes.

I mange lande tilbydes denne uddannelse af nationale uddannelsesorganisationer, der er godkendt til at undervise i de relevante nationale kompetencestandarder, der er i lovgivningen.

Den opnåede kompetence skal dokumenteres med et certifikat.

Uddannelse

Uddannelsen skal indeholde følgende:

Oplysninger om eksplosionspotentialer for brændbare kølemidler for at vise, at brændbare stoffer kan være farlige, hvis de ikke håndteres forsigtigt.

Oplysninger om potentielle antændelseskilder, især dem der ikke er tydelige, såsom lightere, lysafbrydere, støvsugere, elektriske varmeapparater.

Oplysninger om de forskellige sikkerhedskoncepter:

Ikke-ventilerede steder - apparatets sikkerhed afhænger ikke af ventilationen af huset. Slukning af apparatet eller åbning af huset har ingen væsentlig indflydelse på sikkerheden. Ikke desto mindre er det muligt, at utæt kølemiddel kan ophobes inde i kabinettet, så en brandfarlig atmosfære slipper ud, når kabinettet åbnes.

Ventileret steder - apparatets sikkerhed afhænger af ventilationen af huset. Slukning af apparatet eller åbning af kabinettet har en væsentlig indvirkning på sikkerheden. Man skal sørge for at sikre tilstrækkelig ventilation inden brug.

Ventileret rum - apparatets sikkerhed afhænger af ventilationen i rummet. Slukning af apparatet eller åbning af huset har ingen væsentlig indflydelse på sikkerheden. Ventilationen i rummet må ikke slukkes under reparationsprocedurer.

Oplysninger om konceptet med forseglede komponenter og lukkede kabinetter i henhold til IEC 60079-15: 2010.

Oplysninger om de korrekte arbejdsprocedurer:

a) Idriftsættelse

- Sørg for, at gulvområdet er stort nok til kølemiddeltilførslen, eller at ventilationsslangen er samlet korrekt.
- Tilslut rørene, og test for utætheder, inden kølemidlet fyldes på.
- Kontroller sikkerhedsudstyret før det tages i brug.

b) Vedligeholdelse

- Bærbart udstyr skal repareres uden for eller på et værksted, der er særlig udstyret til servicering af enheder med brændbare kølemidler.
- Sørg for, at der er tilstrækkelig ventilation på reparationsstedet.
- Vær opmærksom på, at udstyrets funktionsfejl kan skyldes tab af kølemiddel på grund af utætheder i systemet.
- Tøm kondensatorerne på en måde, der ikke forårsager nogen gnister. Standardproceduren til kortslutning af kondensatorterminalerne danner normalt gnister.
- Saml forseglede kabinetter ordentligt. Hvis pakningerne er slidte, skal du udskifte dem.
- Kontroller sikkerhedsudstyret før det tages i brug.

c) Reparer

- Bærbart udstyr skal repareres uden for eller på et værksted, der er særlig udstyret til servicering af enheder med brændbare kølemidler.
- Sørg for, at der er tilstrækkelig ventilation på reparationsstedet.
- Vær opmærksom på, at udstyrets funktionsfejl kan skyldes tab af kølemiddel på grund af utætheder i systemet.
- Tøm kondensatorerne på en måde, der ikke forårsager nogen gnister.
- Hvis lodning er påkrævet, skal følgende procedurer udføres i den rigtige rækkefølge:
 - Fjern kølemidlet. Hvis det ikke er et lovkrav, at kølemiddel skal bortskaffes ved genbrug, skal du hældes ud udenfor. Sørg for, at kølemidlet, der tømmes, ikke medfører nogen fare. I tilfælde af tvivl, skal en person beskytte stikkontakten. Vær særlig opmærksom på, at kølemiddel, der tømmes, ikke flyder tilbage i bygningen.
 - Tøm kølemiddelkredsløbet.
 - Rens kølemiddelkredsløbet med nitrogen i 5 min.
 - Tøm igen.
 - Fjern dele, der skal skiftes, ved at skære dem af. De må ikke fjernes med flammer.
 - Rens loddepunktet med nitrogen under slaglodning.

- Test for utætheder, inden kølemidlet fyldes på.
 - Saml forseglede kabinetter ordentligt. Hvis pakningerne er slidte, skal du udskifte dem.
 - Kontroller sikkerhedsudstyret før det tages i brug.
- d) Nedlukning
- Hvis sikkerheden påvirkes, når udstyret tages ud af drift, skal kølemiddeltilførslen fjernes, før det tages i brug.
 - Sørg for, at der er tilstrækkelig ventilation der, hvor udstyret står.
 - Vær opmærksom på, at udstyrets funktionsfejl kan skyldes tab af kølemiddel på grund af utætheder i systemet.
 - Tøm kondensatorerne på en måde, der ikke forårsager nogen gnister.
 - Fjern kølemidlet. Hvis det ikke er et lovkrav, at kølemiddel skal bortskaffes ved genbrug, skal du hældes ud udenfor. Sørg for, at kølemidlet, der tømmes, ikke medfører nogen fare. I tilfælde af tvivl, skal en person beskytte stikkontakten. Vær særlig opmærksom på, at kølemiddel, der tømmes, ikke flyder tilbage i bygningen.
 - Tøm kølemiddelkredsløbet.
 - Rens kølemiddelkredsløbet med nitrogen i 5 min.
 - Tøm igen.
 - Fyld med nitrogen op til atmosfærisk tryk.
 - Sæt et mærkat på det udstyr, hvor kølemidlet fjernes fra.
- e) Bortskaffelse
- Sørg for, at der er tilstrækkelig ventilation på driftsstedet.
 - Fjern kølemidlet. Hvis det ikke er et lovkrav, at kølemiddel skal bortskaffes ved genbrug, skal du hældes ud udenfor. Sørg for, at kølemidlet, der tømmes, ikke medfører nogen fare. I tilfælde af tvivl, skal en person beskytte stikkontakten. Vær særlig opmærksom på, at kølemiddel, der tømmes, ikke flyder tilbage i bygningen.
 - Tøm kølemiddelkredsløbet.
 - Rens kølemiddelkredsløbet med nitrogen i 5 min.
 - Tøm igen.
 - Afbryd kompressoren og dræn olien.

Transport, mærkning og opbevaring af enheder, der anvender brændbare kølemidler

Transport af udstyr, der indeholder brandfarlige kølemidler

Vær opmærksom på, at der kan findes flere transportbestemmelser med hensyn til udstyr, der indeholder brandfarlig gas. Det maksimale antal dele af udstyr eller konfigurationen af udstyret, der må transporteres sammen, bestemmes af de gældende transportbestemmelser.

Mærkning af udstyr med skilte

Skilte til lignende apparater, der bruges i et arbejdsområde, kræves generelt af lokale regler. Reglerne består gerne af minimumskravene til skiltning om sikkerhed og sundhed på en arbejdsplads.

Alle påkrævede skilte skal vedligeholdes, og arbejdsgivere skal sikre, at medarbejderne får passende og tilstrækkelig instruktion og uddannelse i betydningen af sikkerhedsskiltene, og hvad de skal gøre i forbindelse med disse skilte.

Effektiviteten af skiltning må ikke reduceres, fx ved at sætte for mange skilte op på samme sted.

Alle anvendte piktogrammer skal være så enkle som muligt og kun indeholde vigtige oplysninger.

Bortskaffelse af udstyr der bruger brændbare kølemidler

Se nationale regler.

Opbevaring af udstyr/apparater

Opbevaring af udstyr skal ske i overensstemmelse med producentens anvisninger.

Opbevaring af pakket (ikke solgt) udstyr

Beskyttelsesemballagen til opbevaring skal laves således, at mekanisk beskadigelse af udstyret i emballagen ikke gør, at kølemidlet begynder at lække.

Det maksimale antal dele af udstyr, der er tilladt at opbevare sammen, bestemmes af lokale regler.