

emerio[®]

PAC-127068.2



Portable air conditioner (EN)
Mobiles Klimagerät (DE)
Climatiseur portable (FR)
Condizionatore d'aria portatile (IT)



Content – Inhalt – Teneur – Contenuto

Instruction manual – English	- 2 -
Bedienungsanleitung – Deutsch	- 18 -
Mode d'emploi – Français	- 37 -
Manuale d'istruzioni – Italiano	- 55 -

SAFETY INSTRUCTIONS

Before use make sure to read all of the below instructions in order to avoid injury or damage, and to get the best results from the appliance. Make sure to keep this manual in a safe place. If you give or transfer this appliance to someone else make sure to also include this manual.

In case of damage caused by user failing to follow the instructions in this manual the warranty will be void. The manufacturer/importer accepts no liability for damages caused by failure to follow the manual, a negligent use or use not in accordance with the requirements of this manual.

1. Read and save these instructions. Attention: pictures in the instructions are for reference only.
2. This appliance can be used by children aged from 8 years and above and persons with reduced physical, sensory or mental capabilities or lack of experience and knowledge if they have been given supervision or instruction concerning use of the appliance in a safe way and understand the hazards involved.
3. Children shall not play with the appliance.
4. Cleaning and user maintenance shall not be made by children without supervision.
5. If the supply cord is damaged, it must be replaced by the manufacturer, its service agent or similarly qualified persons in order to avoid a hazard.
6. Indoor use only.
7. Do not use the unit in an area: near to source of fire; where oil is likely to splash; exposed to direct sunlight; where water is likely to splash; near a bath, a laundry, a shower or a swimming pool.
8. Never insert your fingers, rods into the air outlet. Take special care to warn children of these dangers.
9. Keep the unit upward while transport and storage, for the compressor locates properly.

10. Before cleaning or moving the appliance, always turn off and disconnect the power supply.
11. To avoid the possibility of fire disaster, the appliance shall not be covered.
12. All the air-conditioner sockets must comply with the local electric safety requirements. If necessary, please check it for the requirements.
13. The appliance shall be installed in accordance with national wiring regulations.
14. Details of type and rating of fuses: T, 250V AC, 2A or 3.15A.
15. Contact authorized service technician for repair or maintenance of this unit.
16. Do not pull, deform or modify the power supply cord, or immerse it in water. Pulling or misuse of the power supply cord can result in damage to the unit and cause electrical shock.
17. Compliance with national gas regulations shall be observed.
18. Servicing shall only be performed as recommended by the equipment manufacturer. Maintenance and repair requiring the assistance of other skilled personnel shall be carried out under the supervision of the person competent in the use of flammable refrigerants.
19. Do not operate or stop the unit by inserting or pulling out power plug, it may cause electric shock or fire due to heat generation.
20. Unplug the unit if strange sounds, smell, or smoke comes from it.
21. Always plug the appliance into an earthed plug socket.
22. In case of any damage, please turn off the switch, disconnect the power supply, and contact an authorized service center for repair.
23. Do not use means to accelerate the defrosting process or to clean, other than those recommended by the manufacturer.

24. The appliance shall be stored in a room without continuously operating ignition sources (for example: open flames, an operating gas appliance or an operating electric heater.)
25. Do not pierce or burn.
26. Be aware that refrigerants may not contain an odour.
27. This appliance contains R290 refrigerant gas. R290 is a refrigerant gas that complies with the European directives on the environment. Do not puncture any part of the refrigerant circuit.
28. If the appliance is installed, operated or stored in an unventilated area, the room must be designed to prevent to the accumulation of refrigerant leaks resulting in a risk of fire or explosion due to ignition of the refrigerant caused by electric heaters, stoves, or other sources of ignition.
29. The appliance must be stored in such a way as to prevent mechanical failure.
30. Individuals who operate or work on the refrigerant circuit must have the appropriate certification issued by an accredited organization that ensures competence in handling refrigerants according to a specific evaluation recognized by associations in the industry.
31. Repairs must be performed based on the recommendation from the manufacturing company. Maintenance and repairs that require the assistance of other qualified personnel must be performed under the supervision of an individual specified in the use of flammable refrigerants.
32. Always let the appliance rest for at least 2 hours after moving it from one location to another.
33. Regarding the instructions for repairing appliances containing R290, please kindly refer to below paragraphs.



Warning: Risk of fire / Flammable materials.



Read instruction manuals.



Operator's manual; operating instructions.



Service indicator; read technical manual.

Warning: Keep ventilation openings clear of obstruction.

Warning: The appliance shall be stored in a well-ventilated area where the room size corresponds to the room area as specified for operation.

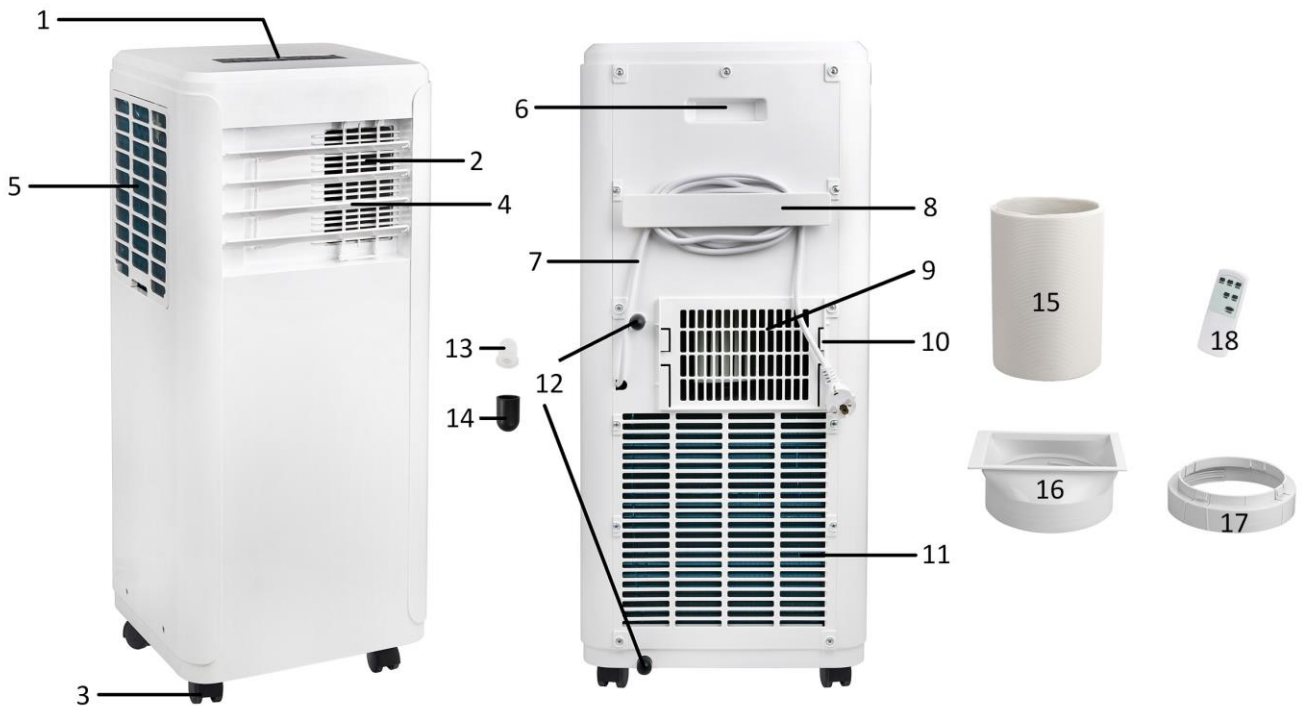
All working procedure that affects safety means shall only be carried out by competent persons.

The required distance around the unit should be at least 30cm.

Appliance shall be installed, operated and stored in a room with a floor area larger than X m².

MODEL	X (m ²)	Model
5000Btu/h,7000Btu/h, 8000Btu/h	4	-
9000Btu/h,10000Btu/h, 10500Btu/h	12	-
12000Btu/h,14000Btu/h, 16000Btu/h,18000Btu/h	15	PAC-127068.2

PARTS DESCRIPTION

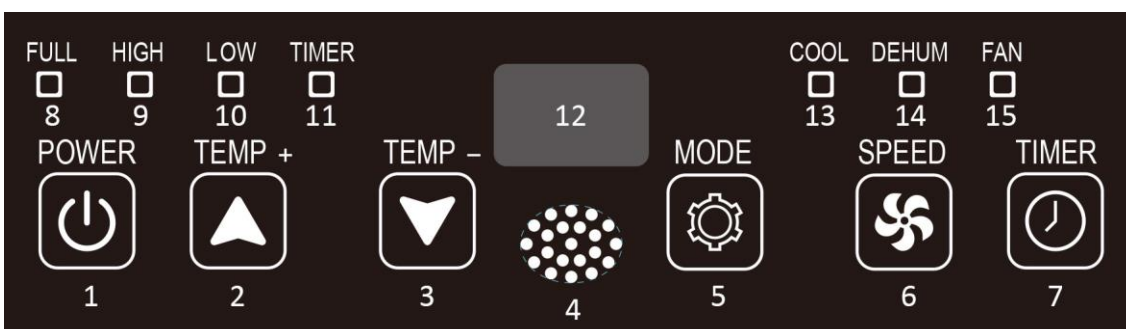


- | | |
|---|--|
| 1. Control panel | 10. Bracket for hose connector (Air conditioner end) |
| 2. Air outlet | 11. Air inlet |
| 3. Wheel | 12. Drain port |
| 4. Louver to control the up and down wind direction | 13. Rubber stopper to the drain port |
| 5. Air filter | 14. Rubber boot |
| 6. Handle | 15. Hot air exhaust hose |
| 7. Power cord | 16. Hose connector (Air conditioner end) |
| 8. Power cord storage | 17. Hose connector (Window end) |
| 9. Hot air exhaust outlet | 18. Remote control |

Remote control

This unit has a remote control. 2 x 1.5V AAA batteries are to be installed. The functions of the remote control buttons are the same as of the buttons on the control panel.

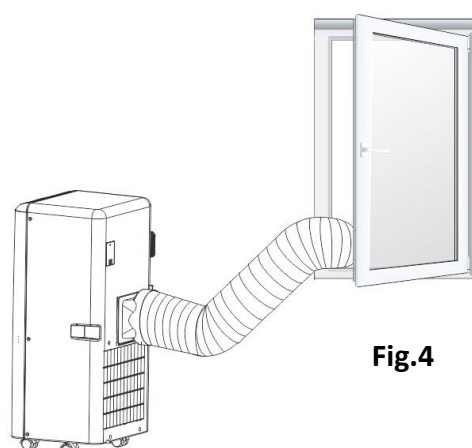
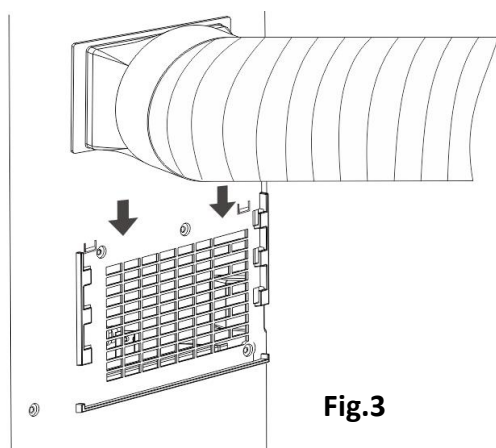
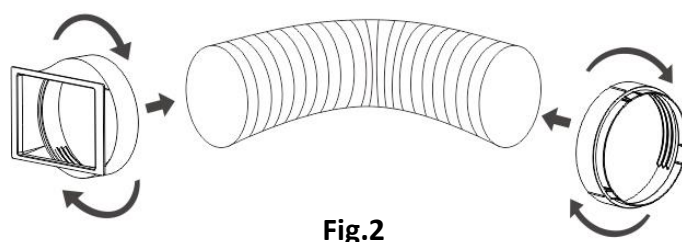
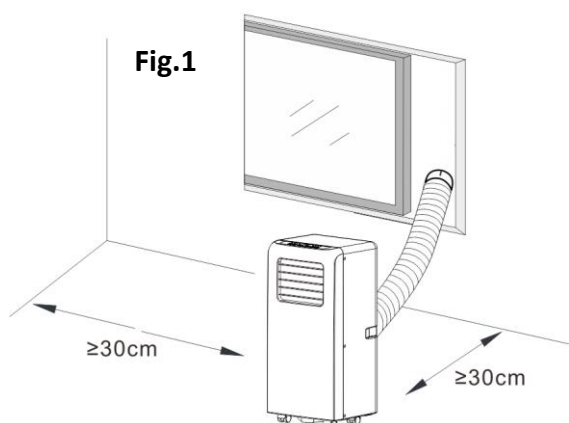
Control panel



1. Power button
2. Temperature (timer) increasing button
3. Temperature (timer) decreasing button
4. Remote control signal receiver window
5. Mode button
6. Wind speed button
7. Timer on/off button
8. Water full indicator light
9. High speed indicator light
10. Low speed indicator light
11. Timer indicator light
12. Digital display
13. Cooling mode indicator light
14. Dehumidification mode indicator light
15. Fan mode indicator light

INSTALLATION (The pictures below are for the guideline to install the appliance. The appearance of the appliance may be different from the product you purchased.)

- The unit shall be installed on a flat surface where the air outlet would not be blocked. The required distance around the unit should be at least 30cm. **(Fig.1)**
- The unit shall not be installed in a laundry room.
- Twist both hose connectors onto the hot air exhaust hose. **(Fig.2)**
- Insert the hose connector (Air conditioner end) into the brackets on the back of the unit. **(Fig.3)**
- Put the other end of the exhaust hose to the nearby windowsill. **(Fig.4)**



OPERATION

Always let the appliance rest for at least 2 hours after moving it from one location to another. Before use, check up whether the exhaust hose has been mounted properly. Plug in the appliance.

1. Power button

Press the button "POWER" to turn on the appliance. The appliance will begin to work under cooling mode at low wind speed. Press the button again, the appliance will be turned off.

2. Temperature (timer) increasing button & temperature (timer) decreasing button

Press the button "TEMP+"/"TEMP-" to set your desired room temperature from 16°C to 31°C. The buttons can also be used for timer adjustment from 1-24 hours during timer setting. The value will be increased/decreased by 1 (°C/hour) for each press. Long press for rapid adjustment.

Please note: The appliance will turn off the compressor (for cooling) automatically once the room temperature reaches the set temperature. The compressor will be turned on automatically when the room temperature increases above the set temperature. The fan inside is always working throughout this process. When the compressor is working, the unit will vibrate slightly. This is normal and harmless.

3. Wind speed button

Press the button "SPEED" to switch the wind speed between low and high. The corresponding indicator light "LOW"/"HIGH" will illuminate.

4. Mode button

Press the button "MODE" to choose your desired working mode among cooling, dehumidification and fan.

- Under cooling mode, the corresponding indicator light "COOL" will illuminate. Press the button "TEMP+"/"TEMP-" to set your desired room temperature. Press the button "SPEED" to set your desired wind speed.
- Under dehumidification mode, the corresponding indicator light "DEHUM" will illuminate. The appliance will automatically set the working temperature (2°C below the current room temperature) and set the wind speed at low. Temperature and wind speed cannot be adjusted manually.
- Under fan mode, the corresponding indicator light "FAN" will illuminate. Press the button "SPEED" to switch the wind speed between low and high. Please note: Under this mode, no temperature function is equipped. The digital display shows a value and that is meaningless.

5. Timer on/off button

Timer ON setting:

- When the appliance is OFF, press the button "TIMER", the corresponding indicator light "TIMER" will illuminate.
- Press the button "TEMP+"/"TEMP-" to select a desired ON time from 1-24 hours. The "Preset ON Time" will flash on the digital display. Press the button "TIMER" again (when still flashing) and the setting will be in effect.
- The appliance will automatically turn on once the "Preset ON Time" has passed.

Timer OFF setting:

- When the appliance is ON, press the button "TIMER", the corresponding indicator light "TIMER" will illuminate.
- Press the button "TEMP+"/"TEMP-" to select a desired OFF time from 1-24 hours. The "Preset OFF Time" will flash on the digital display. Press the button "TIMER" again (when still flashing) and the setting will be in effect.
- The appliance will automatically turn off once the "Preset OFF Time" has passed.

Note: The digital display will show the countdown time by hour after the timer is set. Press the button "TIMER" again, the timer function will be canceled.

NOTE: The appliance will keep working with the previous set mode once turned on again without being unplugged. If the appliance has been disconnected before, it will begin to work under cooling mode at low wind speed once turned on again.

CAUTIONS for cooling and dehumidification operations:

- When using functions on cooling and dehumidification, keep an interval of at least 3 minutes between each power on or off.
- Power supply shall meet the requirements.
- The socket is suitable for AC use.
- Do not share one socket with other appliances.
- Power supply is AC220-240V, 50Hz.

Water full alarm

Under normal use, the unit can evaporate the condensed water automatically, and little of water will be accumulated in the inner water tray.

As soon as the condensed water collected in the inner water tray reaches a certain height, a water full alarm will be sent out: the water full indicator light will illuminate, and the digital display will show "E2" code approx. 5 minutes later.

Thus, when the water full alarm occurs, please drain the water in the water tray. Remove the rubber boot and then the rubber stopper from the drain port at the bottom of the unit, and drain out the water.

Continuous drainage

Continuous drainage can be used to avoid the water full alarm disturbance. Prepare a drain hose. Connect it to the drain port at the middle of the unit and drain water into a bucket or floor drain. The unit can also work well.

- If you plan to leave this unit unused for a long time, please use both of the drain ports to drain out the water.
- If the condensed water accumulates fast and leads to water full alarms shortly, the splash motor inside the machine may be damaged. In this case, please contact our service department at www.emerio.eu/service

CLEANING AND MAINTENANCE

- Before cleaning, be sure to disconnect the appliance from any electric supply outlet.
- Do not use gasoline or other chemicals to clean the appliance.
- Do not wash the appliance directly.

Air Filter

If the air filter becomes clogged with dust/dirt, the air filter should be cleaned once every two weeks.

- Pull out the air filter from the bottom to take it off the appliance.
- Clean the air filter with neutral detergent in lukewarm water (40°C) and dry it up in the shade.
- Insert the air filter back.

Clean the Surface

First clean the surface with a neutral detergent and wet cloth, and then wipe it with a dry cloth.

TROUBLESHOOTING

Troubles	Possible Causes	Solutions
Appliance does not start when pressing the power button	Water full indicator light blinks, and water tray is full.	Remove the rubber stopper to dump the water out from the drainage outlet.
	Room temperature is lower than the setting temperature.	Reset the temperature.
Not cool enough	The doors or windows are not closed.	Make sure all the windows and doors are closed.
	There are heat sources inside the room.	Remove the heat sources if possible.
	The hot air exhaust hose is not connected or blocked.	Connect or clean the hot air exhaust hose.
	Temperature setting is too high.	Reset the temperature.
Noisy	Air inlet is blocked.	Clean the air inlet.
	The ground is not level or not flat enough.	Place the appliance on a flat, level surface if possible.
	The sound comes from the flowing of the refrigerant inside the appliance.	It is normal.

E0 Code	Room temperature sensor failed.	Replace the room temperature sensor. Contact authorized service technician for repair.
E1 Code	Condenser temperature sensor failed.	Replace condenser temperature sensor. Contact authorized service technician for repair.
E2 Code	Water tray full when cooling.	Take off the rubber stopper and empty the water.
E3 Code	Evaporator temperature sensor failed.	Replace evaporator temperature sensor. Contact authorized service technician for repair.
Appliance stops cooling after a running cycle of 50 minutes.	When the ambient room temperature drops to 21°C or below for 50 minutes during cooling mode, the appliance will be stopped for 5 minutes by the default programme.	No action required. This is to avoid the internal copper cooling pipes from freezing. The appliance will resume again after 5 minutes and this cycling process will be repeated continuously.

TECHNICAL DATA

Notice: Operation temperature range:

	Maximum cooling	Minimum cooling
Dry bulb temperature / Wet bulb temperature(°C)	35/24	18/12

Below data for your operating reference

Model	PAC-127068.2
Rated voltage	220-240V
Rated frequency	50Hz
Rated input	1345W
Rated current	6.0A
Cooling capacity	3500W (12000Btu/h)
Moisture removal (L/H)	1.2
Air flow	320m ³ /h

ERP INFORMATION

	Value
Trademark	Emerio
Model identification	PAC-127068.2
Sound power (cooling)	≅ 65dB(A)
Name of refrigerant	R290 (0.215kg)
Rated power input for cooling (kW)	1.345
Rated energy efficiency ratio	2.6
GWP (kgCO ₂ eq)	3
Energy efficiency class	A
Energy consumption for double ducts appliances (kWh/h)	N.A
Energy consumption for single duct appliances (kWh/h)	1.345
Power consumption in thermostat-off mode (W)	N.A
Power consumption in stand-by mode (W)	0.5W
Cooling capacity	3500W

Refrigerant leakage contributes to climate change. Refrigerant with lower global warming potential (GWP) would contribute less to global warming than a refrigerant with higher GWP, if leaked to the atmosphere. This appliance contains a refrigerant fluid with a GWP equal to 3. This means that if 1 kg of this refrigerant fluid would be leaked to the atmosphere, the impact on global warming would be 3 times higher than 1 kg of CO₂, over a period of 100 years. Never try to interfere with the refrigerant circuit yourself or disassemble the product yourself and always ask a professional.

#Energy consumption 1.345 kWh for model PAC-127068.2 in 60 minutes of use under standard test conditions. The actual energy consumption depends on how the device is used and where it is located.

For any additional information, please contact:

Emerio Switzerland AG
Oberneuhofstrasse 1
6340 Baar
Switzerland

GUARANTEE AND CUSTOMER SERVICE

Before delivery our devices are subjected to rigorous quality control. If, despite all care, damage has occurred during production or transportation, please return the device to your dealer. In addition to statutory legal rights, the purchaser has an option to claim under the terms of the following guarantee:

For the purchased device we provide 2 years guarantee, commencing from the day of sale. If you have a defective product, you can directly go back to the point of purchase.


Defects which arise due to improper handling of the device and malfunctions due to interventions and repairs by third parties or the fitting of non-original parts are not covered by this guarantee. Always keep your receipt, without the receipt you can't claim any form of warranty. Damage caused by not following the instruction manual, will lead to a void of warranty, if this results in consequential damages then we will not be liable. Neither can we hold responsible for material damage or personal injury caused by improper use if the instruction manual is not properly executed. Damage to accessories does not mean free replacement of the whole appliance. In such case please contact our service department. Broken glass or breakage of plastic parts is always subject to a charge. Defects to consumables or parts subjected to wearing, as well as cleaning, maintenance, replacement of said parts or shipping and transportation costs to and from any place of repair are not covered by the warranty and are to be paid.

ENVIRONMENT FRIENDLY DISPOSAL



Recycling – European Directive 2012/19/EU

This marking indicates that this product should not be disposed with other household wastes. To prevent possible harm to the environment or human health from uncontrolled waste disposal,

 recycle it responsibly to promote the sustainable reuse of material resources. To return your used device, please use the return and collection systems or contact the retailer where the product was purchased. They can take this product for environmentally safe recycling.



BATTERY MUST BE RECYCLED OR DISPOSED OF PROPERLY. DO NOT OPEN. DO NOT DISPOSE OR IN FIRE OR SHORT CIRCUIT.

Emerio Switzerland AG
Oberneuhofstrasse 1
6340 Baar
Switzerland

INSTRUCTIONS FOR REPAIRING APPLIANCES CONTAINING R290

1. Servicing

1) Checks to the area

Prior to beginning work on systems containing flammable refrigerants, safety checks are necessary to ensure that the risk of ignition is minimised. For repair to the refrigerating system, the following precautions shall be complied with prior to conducting work on the system.

2) Work procedure

Work shall be undertaken under a controlled procedure so as to minimise the risk of a flammable gas or vapour being present while the work is being performed.

3) General work area

All maintenance staff and others working in the local area shall be instructed on the nature of work being carried out. Work in confined spaces shall be avoided. The area around the workspace shall be sectioned off. Ensure that the conditions within the area have been made safe by control of flammable material.

4) Checking for presence of refrigerant

The area shall be checked with an appropriate refrigerant detector prior to and during work, to ensure the technician is aware of potentially flammable atmospheres. Ensure that the leak detection equipment being used is suitable for use with flammable refrigerants, i.e. non-sparking, adequately sealed or intrinsically safe.

5) Presence of fire extinguisher

If any hot work is to be conducted on the refrigeration equipment or any associated parts, appropriate fire extinguishing equipment shall be available to hand. Have a dry powder or CO₂ fire extinguisher adjacent to the charging area.

6) No ignition sources

No person carrying out work in relation to a refrigeration system which involves exposing any pipe work that contains or has contained flammable refrigerant shall use any sources of ignition in such a manner that it may lead to the risk of fire or explosion. All possible ignition sources, including cigarette smoking, should be kept sufficiently far away from the site of installation, repairing, removing and disposal, during which flammable refrigerant can possibly be released to the surrounding space. Prior to work taking place, the area around the equipment is to be surveyed to make sure that there are no flammable hazards or ignition risks. "No Smoking" signs shall be displayed.

7) Ventilated area

Ensure that the area is in the open or that it is adequately ventilated before breaking into the system or conducting any hot work. A degree of ventilation shall continue during the period that the work is carried out. The ventilation should safely disperse any released refrigerant and preferably expel it externally into the atmosphere.

8) Checks to the refrigeration equipment

Where electrical components are being changed, they shall be fit for the purpose and to the correct specification. At all times the manufacturer's maintenance and service guidelines shall be followed. If in doubt consult the manufacturer's technical department for assistance.

The following checks shall be applied to installations using flammable refrigerants:

- The charge size is in accordance with the room size within which the refrigerant containing parts are installed;
- The ventilation machinery and outlets are operating adequately and are not obstructed;
- If an indirect refrigerating circuit is being used, the secondary circuit shall be checked for the presence of refrigerant;
- Marking to the equipment continues to be visible and legible. Markings and signs that are illegible shall be corrected;
- Refrigeration pipe or components are installed in a position where they are unlikely to be exposed to any substance which may corrode refrigerant containing components, unless the components are constructed of materials which are inherently resistant to being corroded or are suitably protected against being so corroded.

9) Checks to electrical devices

Repair and maintenance to electrical components shall include initial safety checks and component inspection procedures. If a fault exists that could compromise safety, then no electrical supply shall be connected to the circuit until it is satisfactorily dealt with. If the fault cannot be corrected immediately but it is necessary to continue operation, an adequate temporary solution shall be used. This shall be reported to the owner of the equipment so all parties are advised. Initial safety checks shall include:

- That capacitors are discharged: this shall be done in a safe manner to avoid possibility of sparking;
- That there no live electrical components and wiring are exposed while charging, recovering or purging the system;
- That there is continuity of earth bonding.

2. Repairs to sealed components

1) During repairs to sealed components, all electrical supplies shall be disconnected from the equipment being worked upon prior to any removal of sealed covers, etc. If it is absolutely necessary to have an electrical supply to equipment during servicing, then a permanently operating form of leak detection shall be located at the most critical point to warn of a potentially hazardous situation.

2) Particular attention shall be paid to the following to ensure that by working on electrical components, the casing is not altered in such a way that the level of protection is affected. This shall include damage to cables, excessive number of connections, terminals not made to original specification, damage to seals, incorrect fitting of glands, etc.

Ensure that apparatus is mounted securely. Ensure that seals or sealing materials have not degraded such that they no longer serve the purpose of preventing the ingress of flammable atmospheres. Replacement parts shall be in accordance with the manufacturer's specifications.

NOTE: The use of silicon sealant may inhibit the effectiveness of some types of leak detection equipment. Intrinsically safe components do not have to be isolated prior to working on them.

3. Repair to intrinsically safe components

Do not apply any permanent inductive or capacitance loads to the circuit without ensuring that this will not exceed the permissible voltage and current permitted for the equipment in use. Intrinsically safe components are the only types that can be worked on while live in the presence of a flammable atmosphere. The test apparatus shall be at the correct rating. Replace components only with parts specified by the manufacturer. Other parts may result in the ignition of refrigerant in the atmosphere from a leak.

4. Cabling

Check that cabling will not be subject to wear, corrosion, excessive pressure, vibration, sharp edges or any other adverse environmental effects. The check shall also take into account the effects of aging or continual vibration from sources such as compressors or fans.

5. Detection of flammable refrigerants

Under no circumstances shall potential sources of ignition be used in the searching for or detection of refrigerant leaks. A halide torch (or any other detector using a naked flame) shall not be used.

6. Leak detection methods

The following leak detection methods are deemed acceptable for systems containing flammable refrigerants. Electronic leak detectors shall be used to detect flammable refrigerants, but the sensitivity may not be adequate, or may need re-calibration. (Detection equipment shall be calibrated in a refrigerant-free area.) Ensure that the detector is not a potential source of ignition and is suitable for the refrigerant used. Leak detection equipment shall be set at a percentage of the LFL of the refrigerant and shall be calibrated to the

refrigerant employed and the appropriate percentage of gas (25 % maximum) is confirmed. Leak detection fluids are suitable for use with most refrigerants but the use of detergents containing chlorine shall be avoided as the chlorine may react with the refrigerant and corrode the copper pipe-work. If a leak is suspected, all naked flames shall be removed/ extinguished. If a leakage of refrigerant is found which requires brazing, all of the refrigerant shall be recovered from the system, or isolated (by means of shut off valves) in a part of the system remote from the leak. Oxygen free nitrogen (OFN) shall then be purged through the system both before and during the brazing process.

7. Removal and evacuation

When breaking into the refrigerant circuit to make repairs – or for any other purpose – conventional procedures shall be used. However, it is important that best practice is followed since flammability is a consideration. The following procedure shall be adhered to:

- Remove refrigerant;
- Purge the circuit with inert gas;
- Evacuate;
- Purge again with inert gas;
- Open the circuit by cutting or brazing.

The refrigerant charge shall be recovered into the correct recovery cylinders. The system shall be “flushed” with OFN to render the unit safe. This process may need to be repeated several times. Compressed air or oxygen shall not be used for this task. Flushing shall be achieved by breaking the vacuum in the system with OFN and continuing to fill until the working pressure is achieved, then venting to atmosphere, and finally pulling down to a vacuum. This process shall be repeated until no refrigerant is within the system. When the final OFN charge is used, the system shall be vented down to atmospheric pressure to enable work to take place. This operation is absolutely vital if brazing operations on the pipe-work are to take place. Ensure that the outlet for the vacuum pump is not close to any ignition sources and there is ventilation available.

8. Charging procedures

In addition to conventional charging procedures, the following requirements shall be followed.

- Ensure that contamination of different refrigerants does not occur when using charging equipment. Hoses or lines shall be as short as possible to minimise the amount of refrigerant contained in them.
- Cylinders shall be kept upright.
- Ensure that the refrigeration system is earthed prior to charging the system with refrigerant.
- Label the system when charging is complete (if not already).
- Extreme care shall be taken not to overfill the refrigeration system.

Prior to recharging the system it shall be pressure tested with OFN. The system shall be leak tested on completion of charging but prior to commissioning. A follow up leak test shall be carried out prior to leaving the site.

9. Decommissioning

Before carrying out this procedure, it is essential that the technician is completely familiar with the equipment and all its detail. It is recommended good practice that all refrigerants are recovered safely. Prior to the task being carried out, an oil and refrigerant sample shall be taken in case analysis is required prior to re-use of reclaimed refrigerant. It is essential that electrical power is available before the task is commenced.

- a) Become familiar with the equipment and its operation.
- b) Isolate system electrically.
- c) Before attempting the procedure ensure that:
 - Mechanical handling equipment is available, if required for handling refrigerant cylinders;
 - All personal protective equipment is available and being used correctly;

- The recovery process is supervised at all times by a competent person;
 - Recovery equipment and cylinders conform to the appropriate standards.
- d) Pump down refrigerant system, if possible.
 - e) If a vacuum is not possible, make a manifold so that refrigerant can be removed from various parts of the system.
 - f) Make sure that cylinder is situated on the scales before recovery takes place.
 - g) Start the recovery machine and operate in accordance with manufacturer's instructions.
 - h) Do not overfill cylinders. (No more than 80 % volume liquid charge).
 - i) Do not exceed the maximum working pressure of the cylinder, even temporarily.
 - j) When the cylinders have been filled correctly and the process completed, make sure that the cylinders and the equipment are removed from site promptly and all isolation valves on the equipment are closed off.
 - k) Recovered refrigerant shall not be charged into another refrigeration system unless it has been cleaned and checked.

10. Labelling

Equipment shall be labelled stating that it has been de-commissioned and emptied of refrigerant. The label shall be dated and signed. Ensure that there are labels on the equipment stating the equipment contains flammable refrigerant.

11. Recovery

When removing refrigerant from a system, either for servicing or decommissioning, it is recommended good practice that all refrigerants are removed safely. When transferring refrigerant into cylinders, ensure that only appropriate refrigerant recovery cylinders are employed. Ensure that the correct number of cylinders for holding the total system charge is available. All cylinders to be used are designated for the recovered refrigerant and labelled for that refrigerant (i.e. special cylinders for the recovery of refrigerant). Cylinders shall be complete with pressure relief valve and associated shut-off valves in good working order. Empty recovery cylinders are evacuated and, if possible, cooled before recovery occurs. The recovery equipment shall be in good working order with a set of instructions concerning the equipment that is at hand and shall be suitable for the recovery of flammable refrigerants. In addition, a set of calibrated weighing scales shall be available and in good working order. Hoses shall be complete with leak-free disconnect couplings and in good condition. Before using the recovery machine, check that it is in satisfactory working order, has been properly maintained and that any associated electrical components are sealed to prevent ignition in the event of a refrigerant release. Consult manufacturer if in doubt. The recovered refrigerant shall be returned to the refrigerant supplier in the correct recovery cylinder, and the relevant Waste Transfer Note arranged. Do not mix refrigerants in recovery units and especially not in cylinders. If compressors or compressor oils are to be removed, ensure that they have been evacuated to an acceptable level to make certain that flammable refrigerant does not remain within the lubricant. The evacuation process shall be carried out prior to returning the compressor to the suppliers. Only electric heating to the compressor body shall be employed to accelerate this process. When oil is drained from a system, it shall be carried out safely.

Competence of service personnel

General

Special training additional to usual refrigerating equipment repair procedures is required when equipment with flammable refrigerants is affected.

In many countries, this training is carried out by national training organisations that are accredited to teach the relevant national competency standards that may be set in legislation.

The achieved competence should be documented by a certificate.

Training

The training should include the substance of the following:

Information about the explosion potential of flammable refrigerants to show that flammables may be dangerous when handled without care.

Information about potential ignition sources, especially those that are not obvious, such as lighters, light switches, vacuum cleaners, electric heaters.

Information about the different safety concepts:

Unventilated – Safety of the appliance does not depend on ventilation of the housing. Switching off the appliance or opening of the housing has no significant effect on the safety. Nevertheless, it is possible that leaking refrigerant may accumulate inside the enclosure and flammable atmosphere will be released when the enclosure is opened.

Ventilated enclosure – Safety of the appliance depends on ventilation of the housing. Switching off the appliance or opening of the enclosure has a significant effect on the safety. Care should be taken to ensure a sufficient ventilation before.

Ventilated room – Safety of the appliance depends on the ventilation of the room. Switching off the appliance or opening of the housing has no significant effect on the safety. The ventilation of the room shall not be switched off during repair procedures.

Information about the concept of sealed components and sealed enclosures according to IEC 60079-15:2010.

Information about the correct working procedures:

a) Commissioning

- Ensure that the floor area is sufficient for the refrigerant charge or that the ventilation hose is assembled in a correct manner.
- Connect the pipes and carry out a leak test before charging with refrigerant.
- Check safety equipment before putting into service.

b) Maintenance

- Portable equipment shall be repaired outside or in a workshop specially equipped for servicing units with flammable refrigerants.
- Ensure sufficient ventilation at the repair place.
- Be aware that malfunction of the equipment may be caused by refrigerant loss and a refrigerant leak is possible.
- Discharge capacitors in a way that won't cause any spark. The standard procedure to short circuit the capacitor terminals usually creates sparks.
- Reassemble sealed enclosures accurately. If seals are worn, replace them.
- Check safety equipment before putting into service.

c) Repair

- Portable equipment shall be repaired outside or in a workshop specially equipped for servicing units with flammable refrigerants.
- Ensure sufficient ventilation at the repair place.
- Be aware that malfunction of the equipment may be caused by refrigerant loss and a refrigerant leak is possible.
- Discharge capacitors in a way that won't cause any spark.
- When brazing is required, the following procedures shall be carried out in the right order:
 - Remove the refrigerant. If the recovery is not required by national regulations, drain the refrigerant to the outside. Take care that the drained refrigerant will not cause any danger. In doubt, one person should guard the outlet. Take special care that drained refrigerant will not float back into the building.
 - Evacuate the refrigerant circuit.
 - Purge the refrigerant circuit with nitrogen for 5 min.
 - Evacuate again.
 - Remove parts to be replaced by cutting, not by flame.
 - Purge the braze point with nitrogen during the brazing procedure.

- Carry out a leak test before charging with refrigerant.
 - Reassemble sealed enclosures accurately. If seals are worn, replace them.
 - Check safety equipment before putting into service.
- d) Decommissioning
- If the safety is affected when the equipment is putted out of service, the refrigerant charge shall be removed before decommissioning.
 - Ensure sufficient ventilation at the equipment location.
 - Be aware that malfunction of the equipment may be caused by refrigerant loss and a refrigerant leak is possible.
 - Discharge capacitors in a way that won't cause any spark.
 - Remove the refrigerant. If the recovery is not required by national regulations, drain the refrigerant to the outside. Take care that the drained refrigerant will not cause any danger. In doubt, one person should guard the outlet. Take special care that drained refrigerant will not float back into the building.
 - Evacuate the refrigerant circuit.
 - Purge the refrigerant circuit with nitrogen for 5 min.
 - Evacuate again.
 - Fill with nitrogen up to atmospheric pressure.
 - Put a label on the equipment that the refrigerant is removed.
- e) Disposal
- Ensure sufficient ventilation at the working place.
 - Remove the refrigerant. If the recovery is not required by national regulations, drain the refrigerant to the outside. Take care that the drained refrigerant will not cause any danger. In doubt, one person should guard the outlet. Take special care that drained refrigerant will not float back into the building.
 - Evacuate the refrigerant circuit.
 - Purge the refrigerant circuit with nitrogen for 5 min.
 - Evacuate again.
 - Cut out the compressor and drain the oil.

Transportation, marking and storage for units that employ flammable refrigerants

Transport of equipment containing flammable refrigerants

Attention is drawn to the fact that additional transportation regulations may exist with respect to equipment containing flammable gas. The maximum number of pieces of equipment or the configuration of the equipment, permitted to be transported together will be determined by the applicable transport regulations.

Marking of equipment using signs

Signs for similar appliances used in a work area generally are addressed by local regulations and give the minimum requirements for the provision of safety and/or health signs for a work location.

All required signs are to be maintained and employers should ensure that employees receive suitable and sufficient instruction and training on the meaning of appropriate safety signs and the actions that need to be taken in connection with these signs.

The effectiveness of signs should not be diminished by too many signs being placed together.

Any pictograms used should be as simple as possible and contain only essential details.

Disposal of equipment using flammable refrigerants

See national regulations.

Storage of equipment/appliances

The storage of equipment should be in accordance with the manufacturer's instructions.

Storage of packed (unsold) equipment

Storage package protection should be constructed such that mechanical damage to the equipment inside the package will not cause a leak of the refrigerant charge.

The maximum number of pieces of equipment permitted to be stored together will be determined by local regulations.

SICHERHEITSHINWEISE

Lesen Sie vor dem Gebrauch unbedingt die nachfolgenden Anleitungen, um Verletzungen oder Beschädigungen zu vermeiden und das beste Ergebnis mit dem Gerät zu erzielen. Bewahren Sie diese Bedienungsanleitung an einem sicheren Ort auf. Wenn Sie dieses Gerät an eine andere Person weitergeben, stellen Sie sicher, dass Sie auch diese Bedienungsanleitung aushändigen.

Im Falle von Beschädigungen, die durch die Missachtung der Anleitungen in dieser Bedienungsanleitung verursacht wurden, wird die Garantie ungültig. Der Hersteller/Importeur haftet nicht für Schäden, die durch Missachtung der Bedienungsanleitung, fahrlässigen Gebrauch oder Benutzung, die nicht in Übereinstimmung mit den Anforderungen dieser Bedienungsanleitung erfolgt, verursacht wurden.

1. Lesen und bewahren Sie diese Anleitungen auf. Achtung: Die Bilder in der Bedienungsanleitung dienen nur zur Veranschaulichung.
2. Dieses Gerät kann von Kindern ab 8 Jahren und von Personen mit eingeschränkten physischen, sensorischen oder geistigen Fähigkeiten oder ohne Erfahrung und/oder Wissen benutzt werden, wenn diese durch eine für ihre Sicherheit zuständige Person beaufsichtigt werden oder von ihr Anweisungen erhielten, wie das Gerät sicher zu benutzen ist und sie auf die Risiken aufmerksam gemacht wurden.
3. Kinder dürfen nicht mit dem Gerät spielen.
4. Kinder sollten dieses Gerät nicht unbeaufsichtigt reinigen oder warten.
5. Wenn die Netzanschlussleitung dieses Gerätes beschädigt wird, muss sie durch den Hersteller oder seinen Kundendienst oder eine ähnlich qualifizierte Person ersetzt werden, um Gefährdungen zu vermeiden.
6. Nur in geschlossenen Räumen verwenden.

7. Das Gerät nicht in der Nähe von Zündquellen oder dort verwenden, wo Ölspritzer entstehen können. Vor direktem Sonnenlicht und Spritzwasser schützen und nicht in der Nähe eines Bades, eines Wäscheriums, einer Dusche oder eines Schwimmbads aufstellen.
8. Die Finger nicht in den Luftauslass stecken. Kinder besonders auf diese Gefahren hinweisen.
9. Während des Transports und beim Aufbewahren das Gerät aufrecht abstellen, damit der Kompressor in korrekter Position bleibt.
10. Das Gerät vor dem Reinigen oder Verstellen immer ausschalten und vom Netz trennen.
11. Um Brände zu vermeiden, darf das Gerät nicht zugedeckt werden.
12. Alle für das Klimagerät verwendeten Steckdosen müssen die örtlichen Sicherheitsbestimmungen für Elektrogeräte erfüllen. Ggf. die Voraussetzungen hierfür überprüfen.
13. Bei der Geräteinstallation müssen die nationalen Vorschriften für die Elektroverdrahtung beachtet werden.
14. Angaben zu den Sicherungen: Träge, 250 V AC, 2 A oder 3,15 A.
15. Im Falle einer Reparatur oder Wartung am Gerät einen Vertragskundendienst kontaktieren.
16. Nicht am Netzkabel ziehen, das Kabel verändern oder in Wasser tauchen. Durch das Ziehen oder Zweckentfremden des Netzkabels können Geräteschäden und Stromschläge hervorgerufen werden.
17. Die nationalen Vorschriften für Gasverbraucher müssen eingehalten werden.
18. Reparaturen dürfen nur gemäß Empfehlungen des Herstellers vorgenommen werden. Reparatur- und Wartungsarbeiten, für die anderes Fachpersonal erforderlich ist, müssen unter Beaufsichtigung einer Person durchgeführt werden, die sich mit dem Einsatz zündfähiger Kühlmittel auskennt.

19. Zum Unterbrechen oder Abstellen des Geräts nicht den Netzstecker ziehen. Das kann Stromschläge oder Brände aufgrund der Wärmefreisetzung hervorrufen.
20. Netzstecker ziehen, falls seltsame Geräusche, Gerüche oder Rauch aus dem Gerät aufsteigen.
21. Zum Anschließen des Geräts immer eine geerdete Steckdose verwenden.
22. Im Falle einer Beschädigung das Gerät ausschalten, vom Netz trennen und zwecks Reparatur einen Vertragskundendienst kontaktieren.
23. Bis auf die vom Hersteller empfohlenen Hilfsmittel keine anderen Mittel einsetzen, um den Abtauvorgang zu beschleunigen oder das Gerät zu reinigen.
24. Das Gerät muss in einem Raum aufbewahrt werden, in dem sich keine dauerhaft funktionierenden Zündquellen befinden (z. B. offene Flammen, ein in Betrieb befindliches gasbetriebenes Gerät oder eine in Betrieb befindliche Elektroheizung).
25. Nicht hineinstecken oder verbrennen.
26. Wir weisen darauf hin, dass Kältemittel unter Umständen geruchlos sind.
27. Dieses Gerät enthält gasförmiges Kältemittel vom Typ R290. R290 ist Kältemittel in Gasform, das den europäischen Umweltrichtlinien entspricht. Der Kältemittelkreislauf darf an keiner Stelle durchstoßen werden.
28. Wird das Gerät in einem unbelüfteten Bereich installiert, betrieben oder aufbewahrt, muss der Raum so konzipiert sein, dass sich kein ausgelaufenes Kältemittel sammeln und zu einer Brand- oder Explosionsgefahr werden kann, falls das Kältemittel durch eine Elektroheizung, Ofen oder eine andere Zündquelle gezündet wird.
29. Das Gerät muss so gelagert werden, dass keine mechanischen Defekte auftreten können.

30. Die Person, die arbeiten am Kältemittelkreislauf ausführt oder diesen betreibt, muss ein entsprechendes Zertifikat vorlegen können, das von einem akkreditierten Institut ausgestellt wurde und nachweist, dass die Person über die Fachkompetenzen zur industriekonformen Handhabung von Kältemitteln verfügt.
31. Bei der Ausführung von Reparaturen müssen die Empfehlungen des Herstellers zugrunde gelegt werden. Wartungs- und Reparaturarbeiten, für die weiteres Fachpersonal erforderlich ist, müssen unter der Aufsicht einer Person durchgeführt werden, die sich mit der Verwendung zündfähiger Kältemittel auskennt.
32. Nach dem Transport an einen anderen Ort muss das Gerät immer mindestens 2 Stunden ruhen.
33. Die folgenden Absätze bei der Reparatur von Geräten mit R290 Kältemittel beachten.



Warnung: Brandgefahr / zündfähiges Material.



Anleitungen lesen.



Bedienungsanleitung; Betriebsanleitung.



Symbol für Reparatur/Wartung; technische

Anleitung lesen.

Warnung: Belüftungsöffnungen von Blockaden frei halten.

Warnung: Das Gerät muss in einem gut belüfteten Raum stehen, dessen Größe mit den Raumangaben in den technischen Daten übereinstimmt.

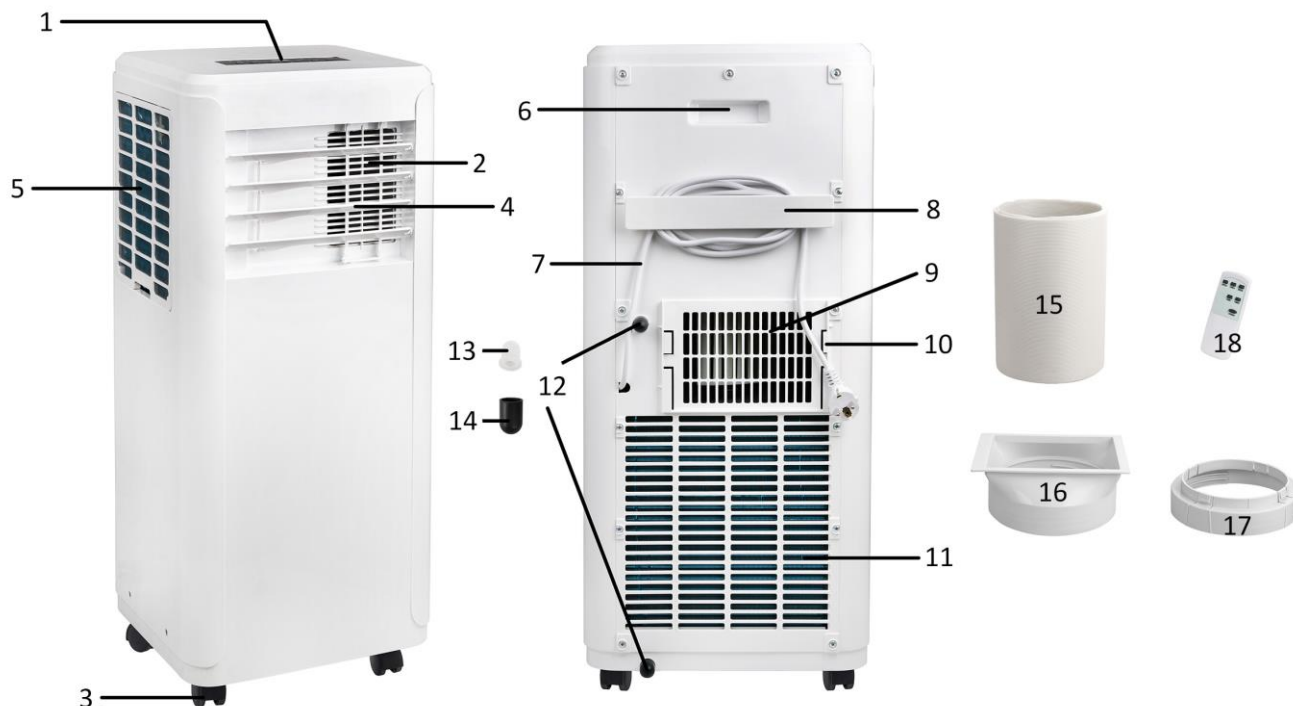
Alle Arbeitsverfahren, die sich auf Sicherheitsvorrichtungen auswirken, dürfen nur von sachkundigen Personen durchgeführt werden.

Ein Mindestabstand von 30 cm sollte um das Gerät herum eingehalten werden.

Das Gerät muss in einem Raum installiert, betrieben und aufbewahrt werden, dessen Bodenfläche größer ist als X m².

MODELL	X (m²)	Modell
5000Btu/h,7000Btu/h, 8000Btu/h	4	-
9000Btu/h,10000Btu/h, 10500Btu/h	12	-
12000Btu/h,14000Btu/h, 16000Btu/h,18000Btu/h	15	PAC-127068.2

BESCHREIBUNG DER TEILE

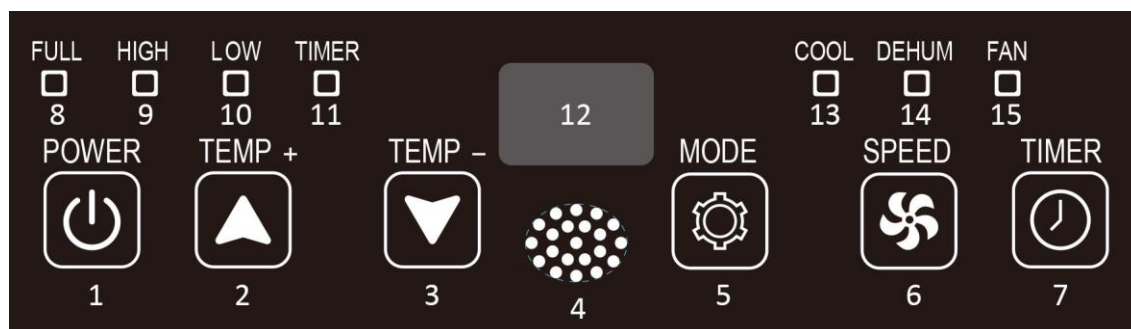


- | | |
|---|--|
| 1. Bedienfeld | 10. Halterung für Schlauchanschluss (Klimageräteseite) |
| 2. Luftauslass | 11. Lufteinlass |
| 3. Rollen | 12. Ablauf |
| 4. Lamellen zum Umlenken der Windrichtung nach oben und unten | 13. Gummiverschluss |
| 5. Luftfilter | 14. Gummimanschette |
| 6. Griff | 15. Abluftschlauch |
| 7. Netzkabel | 16. Schlauchanschluss (Klimageräteseite) |
| 8. Netzkabelaufbewahrung | 17. Schlauchanschluss (Öffnungsseite) |
| 9. Heißluftauslass | 18. Fernbedienung |

Fernbedienung

Dieses Gerät hat eine Fernbedienung. Dazu müssen 2 AAA-Batterien mit 1,5 V eingesetzt werden. Die Funktionen der Fernbedienungstasten entsprechen der Tastenbelegung des Bedienfelds.

Bedienfeld



FULL HIGH LOW TIMER
 8 9 10 11

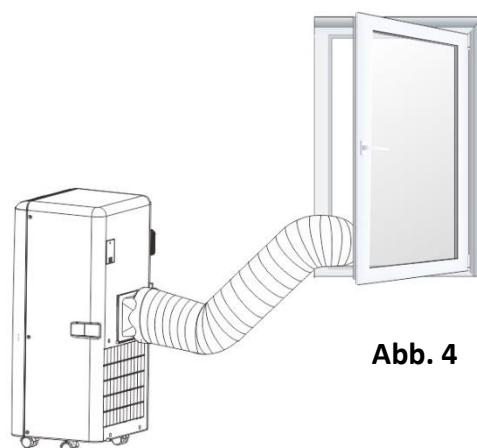
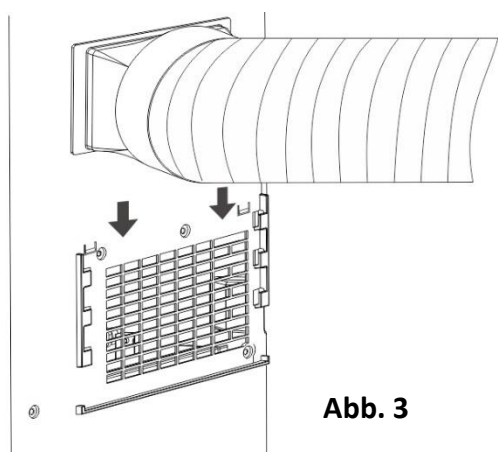
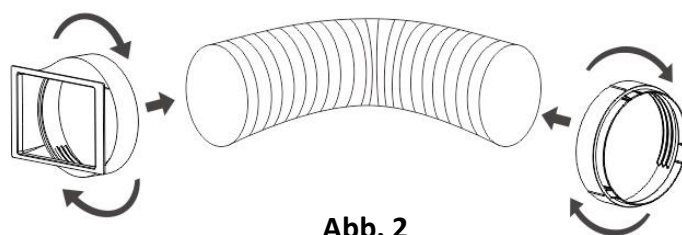
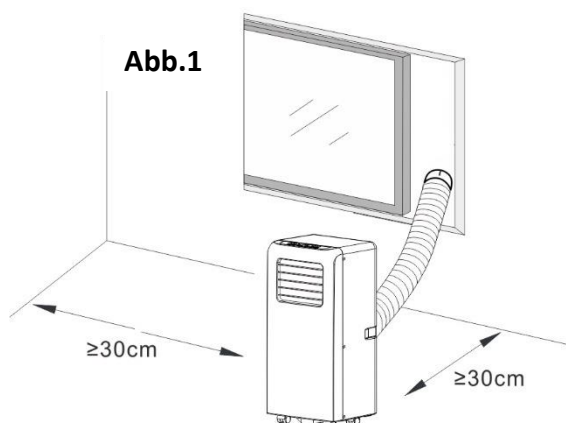
COOL DEHUM FAN
 13 14 15

POWER TEMP + TEMP - MODE SPEED TIMER
 1 2 3 4 5 6 7

1. Einschalttaste
2. Taste Temperatur (Timer) +
3. Taste Temperatur (Timer) -
4. Fernbedienungs-Empfangsfenster
5. Modus-Taste
6. Lüfterstufenschalter
7. Timer ein/aus Taste
8. Anzeigeleuchte Wasserbehälter voll
9. Anzeigeleuchte hohe Lüfterstufe
10. Anzeigeleuchte niedrige Lüfterstufe
11. Timer-Anzeigeleuchte
12. Digitales Display
13. Anzeigeleuchte Kühlbetrieb
14. Anzeigeleuchte Entfeuchtungsbetrieb
15. Anzeigeleuchte Lüfterbetrieb

INSTALLATION (Die folgenden Abbildungen dienen als Installationsanleitung des Geräts. Das Aussehen des Geräts kann von dem jeweils gekauften Modell abweichen.)

- Das Gerät muss auf einer ebenen Fläche aufgestellt werden, auf der der Luftauslass nicht blockiert wird. Ein Mindestabstand von 30 cm sollte um das Gerät herum eingehalten werden. **(Abb.1)**
- Das Gerät darf nicht in einem Wäscheraum aufgestellt werden.
- Beide Schlauchanschlüsse auf den Abluftschlauch aufschrauben. **(Abb. 2)**
- Den Schlauchanschluss (Klimageräteseite) in die Haltevorrichtung auf der Rückseite des Geräts einführen. **(Abb. 3)**
- Das andere Ende des Abluftschlauchs zur nächsten Fensterbank verlegen. **(Abb. 4)**



BETRIEB

Nach dem Transport an einen anderen Ort muss das Gerät immer mindestens 2 Stunden ruhen. Vor dem Gebrauch prüfen, ob der Abluftschlauch auch korrekt angebracht ist. Gerät an eine Steckdose anschließen.

1. Einschalttaste

Die Taste „POWER“ drücken, um das Gerät einzuschalten. Das Gerät schaltet sich im Kühlbetrieb mit niedriger Lüfterstufe ein. Die Taste erneut drücken, um das Gerät auszuschalten.

2. Tasten Temperatur (Timer) plus & minus

Mit der Taste „TEMP+“/„TEMP-“ die gewünschte Raumtemperatur zwischen 16 und 31 °C einstellen. Die Tasten dienen bei der Timer-Einstellung auch zum Festlegen einer Laufzeit zwischen 1 und 24 Stunden. Mit jedem Tastendruck erhöht/verringert sich der Wert um 1°C (bzw. Stunde). Zum schnelleren Einstellen die Taste länger gedrückt halten.

Bitte beachten: Sobald die Raumtemperatur den Sollwert erreicht, schaltet das Gerät den Kompressor (für den Kühlbetrieb) automatisch ab. Steigt die Raumtemperatur wieder über den Sollwert an, wird der Kompressor automatisch wieder zugeschaltet. Der eingebaute Lüfter arbeitet während des gesamten Vorgangs weiter. Während des Kompressorbetriebs vibriert das Gerät leicht. Dies ist normal und harmlos.

3. Lüfterstufenschalter

Die Taste „SPEED“ drücken, um zwischen niedriger und hoher Lüfterstufe umzuschalten. Die entsprechende Lampe zeigt dann „LOW“ bzw. „HIGH“ an.

4. Modus-Taste

Die Taste „MODE“ drücken, um zwischen Kühlen, Entfeuchten und Lüfter umzuschalten.

- Bei aktivem Kühlbetrieb zeigt die entsprechende Lampe „COOL“ an. Zum Einstellen der gewünschten Raumtemperatur die Taste „TEMP+/TEMP-“ drücken. Zum Einstellen der Lüfterstufe die Taste „SPEED“ drücken.
- Bei aktivem Entfeuchtungsbetrieb zeigt die entsprechende Lampe „DEHUM“ an. Das Gerät legt die Betriebstemperatur (2 °C unter der aktuellen Raumtemperatur) automatisch fest und stellt die niedrige Lüfterstufe ein. Die Temperatur und die Lüfterstufe können nicht von Hand geändert werden.
- Bei aktivem Lüfterbetrieb zeigt die entsprechende Lampe „FAN“ an. Die Taste „SPEED“ drücken, um zwischen niedriger und hoher Lüfterstufe umzuschalten. Bitte beachten: In dieser Betriebsart ist die Temperaturfunktion deaktiviert. Das digitale Display zeigt einen Wert, der jedoch keine Bedeutung hat.

5. Timer ein/aus Taste

Einstellen des Einschalt-Timers:

- Bei ausgeschaltetem Gerät die Taste „TIMER“ drücken. Die jeweilige „TIMER“ Lampe leuchtet auf.
- Die Taste „TEMP+“/„TEMP-“ drücken, um eine Einschaltzeit zwischen 1 und 24 Stunden einzustellen. Im Display blinkt „Preset ON Time“ (voreingestellte Einschaltzeit). Die Taste „TIMER“ erneut drücken (solange die Anzeige noch blinkt). Die Einstellung wird dann übernommen.
- Sobald die voreingestellte Einschaltzeit eingetreten ist, schaltet sich das Gerät automatisch ein.

Einstellen des Ausschalt-Timers

- Bei eingeschaltetem Gerät die Taste „TIMER“ drücken. Die jeweilige „TIMER“ Lampe leuchtet auf.
- Die Taste „TEMP+“/„TEMP-“ drücken, um eine Ausschaltzeit zwischen 1 und 24 Stunden einzustellen. Im Display blinkt „Preset OFF Time“ (voreingestellte Ausschaltzeit). Die Taste „TIMER“ erneut drücken (solange die Anzeige noch blinkt). Die Einstellung wird dann übernommen.
- Sobald die voreingestellte Ausschaltzeit eingetreten ist, schaltet sich das Gerät automatisch aus.

Hinweis: Nach dem Einstellen des Timers wird im Display die abgelaufene Anzahl der Stunden angezeigt. Die Taste „TIMER“ erneut drücken, um die Timer-Funktion abzubrechen.

HINWEIS: Das Gerät setzt den Betrieb nach dem Einschalten in der zuvor eingestellten Betriebsart fort, sofern es nicht vom Netz getrennt wurde. Falls das Gerät vorher vom Netz getrennt wurde, startet es nach dem Einschalten wieder im Kühlbetrieb bei niedriger Lüfterstufe.

WARNHINWEISE für den Kühl- und Entfeuchtungsbetrieb:

- Bei Verwendung der Kühl- und Entfeuchtungsfunktionen immer jeweils 3 Minuten zwischen jedem Ein- und Ausschalten abwarten.
- Die Stromversorgung muss die Voraussetzungen erfüllen.
- Die Steckdose ist für den Wechselstrombetrieb geeignet.
- Die Steckdose nicht für andere Geräte mitbenutzen.
- Die Stromversorgung liefert 220 - 240 V AC (50 Hz).

Warnmeldung „Wasserbehälter voll“

Bei normalem Gebrauch kann das Gerät das kondensierte Wasser automatisch verdampfen, und es sammelt sich wenig Wasser im Wasserbehälter im Gerät an.

Sobald das Kondenswasser, das sich im Wasserbehälter im Gerät ansammelt, eine bestimmte Höhe erreicht, wird eine „Wasserbehälter voll“ Warnmeldung ausgelöst: Die Anzeigeleuchte „Wasserbehälter voll“ leuchtet auf und die Digitalanzeige zeigt ca. 5 Minuten später den Code „E2“ an.

Wenn also die „Wasserbehälter voll“ Warnmeldung ausgelöst wird, lassen Sie bitte das Wasser im Wasserbehälter ab. Entfernen Sie die Gummimanschette und dann den Gummiverschluss aus dem Ablauf an der Unterseite des Geräts und lassen Sie das Wasser ab.

Kontinuierliche Entwässerung

Eine kontinuierliche Entwässerung kann verwendet werden, um eine Störung durch einen vollen Wasserbehälter zu vermeiden. Bereiten Sie einen Ablaufschlauch vor. Schließen Sie ihn an den Ablauf in der Mitte des Geräts an und lassen Sie Wasser in einen Eimer oder Bodenabfluss ab. Das Gerät kann problemlos weiter arbeiten.

- Wenn Sie dieses Gerät voraussichtlich längere Zeit nicht benutzen werden, verwenden Sie bitte beide Abläufe, um das Wasser abzulassen.
- Wenn sich das Kondenswasser schnell ansammelt und innerhalb kurzer Zeit zu „Wasserbehälter voll“ Warnmeldungen führt, kann der Spritzmotor in der Maschine beschädigt werden. Bitte wenden Sie sich in diesem Fall an unseren Kundendienst unter www.emerio.eu/service

REINIGUNG UND WARTUNG

- Vor dem Reinigen den Gerätestecker aus der Steckdose ziehen.
- Zum Reinigen des Geräts kein Benzin oder sonstige Chemikalien verwenden.
- Das Gerät nicht direkt abwaschen.

Luftfilter

Falls der Luftfilter durch Staub oder Schmutz blockiert ist, sollte dieser alle zwei Wochen gereinigt werden.

- Den Luftfilter von der Unterseite herausziehen, um ihn aus dem Gerät zu entfernen.
- Den Luftfilter in lauwarmem Wasser (40 °C) und Neutralreiniger auswaschen und im Schatten an der Luft trocknen lassen.
- Den Luftfilter wieder einsetzen.

Flächen reinigen

Die Flächen zunächst mit einem Neutralreiniger und einem feuchten Lappen abwischen, danach mit einem trocknen Tuch abwischen.

PROBLEMBEHEBUNG

Probleme	Mögliche Ursachen	Lösungen
Nach dem Drücken der Einschalttaste startet das Gerät nicht	Die Anzeigeleuchte „Wasserbehälter voll“ blinkt und der Wasserbehälter ist voll.	Den Gummiverschluss abnehmen, um das Wasser über den Ablauf entweichen zu lassen.
	Raumtemperatur liegt unter der eingestellten Solltemperatur.	Die Temperatur zurückstellen.
Nicht kühl genug	Die Türen oder Fenster sind nicht geschlossen.	Alle Fenster und Türen schließen.

	Im Raum befinden sich Wärmequellen.	Die Wärmequellen nach Möglichkeit entfernen.
	Der Abluftschlauch ist nicht angeschlossen oder blockiert.	Den Abluftschlauch anschließen bzw. freimachen.
	Die Temperatureinstellung ist zu hoch.	Die Temperatur zurückstellen.
	Der Lufteinlass ist blockiert.	Lufteinlass reinigen.
Laut im Betrieb	Der Untergrund ist nicht eben oder nicht flach genug.	Gerät auf nach Möglichkeit auf eine ebene Fläche stellen.
	Das Geräusch kommt von dem strömenden Kältemittel im Gerät.	Das ist normal.
Fehlercode E0	Raumtemperatursensor ist defekt.	Den Raumtemperatursensor austauschen. Zur Reparatur eine Vertragswerkstatt kontaktieren.
Fehlercode E1	Kondensator-Temperatursensor defekt.	Kondensator-Temperatursensor austauschen. Zur Reparatur eine Vertragswerkstatt kontaktieren.
Fehlercode E2	Wasserbehälter ist während des Kühlbetriebs voll.	Den Gummiverschluss abziehen und das Wasser entleeren.
Fehlercode E3	Verdampfer-Temperatursensor defekt.	Den Verdampfer-Temperatursensor austauschen. Zur Reparatur eine Vertragswerkstatt kontaktieren.
Das Gerät stoppt die Kühlung nach einem Betriebszyklus von 50 Minuten.	Wenn die Raumtemperatur im Kühlmodus für 50 Minuten lang auf 21 °C oder darunter fällt, wird das Gerät vom Standardprogramm für 5 Minuten gestoppt.	Keine Aktion erforderlich. Dies soll verhindern, dass die internen Kupferkühlrohre einfrieren. Das Gerät wird nach 5 Minuten den Betrieb fortsetzen. Dieser Vorgang wird kontinuierlich wiederholt.

TECHNISCHE DATEN

Hinweis: Temperaturbereich im Betrieb:

	Maximale Kühlleistung	Minimale Kühlleistung
Trockentemperatur / Feuchttemperatur (°C)	35/24	18/12

Für das Gerät gelten folgende Anschlusswerte

Modell	PAC-127068.2
Nennspannung	220-240V
Nennfrequenz	50Hz
Nenneingangsleistung	1345W
Nennstrom	6.0A
Kühlleistung	3500W (12000Btu/h)
Trocknungsleistung (l/h)	1.2
Luftvolumen	320m ³ /h

ERP-INFORMATIONEN

	Wert
Handelsmarke	Emerio
Modellbezeichnung	PAC-127068.2
Schallleistung (Kühlbetrieb)	≤ 65 dB(A)
Bezeichnung des Kältemittels	R290 (0,215 kg)
Nenneingangsleistung im Kühlbetrieb (kW)	1,345
Bemessene Energieeffizienz	2,6
GWP (kgCO ₂ eq)	3
Energieeffizienzklasse	A
Energieverbrauch bei Geräten mit Zweikreisystemen (kWh/h)	K.A
Energieverbrauch bei Geräten mit Einkreisystemen (kWh/h)	1,345
Leistungsverbrauch bei ausgeschaltetem Thermostat (W)	K.A
Leistungsverbrauch im Standby (W)	0,5 W
Kühlleistung	3500 W
<p>Kältemittelleckagen verstärken den Klimawandel. Kältemittel mit geringerem globalem Erwärmungspotenzial verstärkt die globale Erderwärmung weniger als ein Kältemittel mit höherem Erwärmungspotenzial, wenn es in die Atmosphäre gelangt. Dieses Gerät enthält ein Kältemittel mit einem globalen Erderwärmungspotenzial von 3. Das hat folgende Bedeutung: Gelangt 1 kg dieses Kältemittels in die Atmosphäre, ist die Gefährdung durch die globale Erderwärmung über einen Zeitraum von 100 Jahren 3 Mal höher als bei CO₂. Nie versuchen, den Kältekreislauf selbst zu unterbrechen oder das Produkt auf eigene Faust zu zerlegen, sondern stets einen Fachmann fragen.</p> <p>Energieverbrauch 1,345 kWh bei Modell PAC-127068.2 innerhalb von 60 Minuten bei Einsatz unter Standard-Prüfbedingungen. Der tatsächliche Energieverbrauch hängt davon ab, wie und wo das Gerät eingesetzt wird.</p> <p>Weitere Informationen erteilt:</p> <p>Emerio Switzerland AG Oberneuhofstrasse 1 6340 Baar Switzerland</p>	

GARANTIE UND KUNDENSERVICE

Vor der Lieferung werden unsere Geräte einer strengen Qualitätskontrolle unterzogen. Wenn, trotz aller Sorgfalt, während der Produktion oder dem Transport Beschädigungen aufgetreten sind, senden Sie das Gerät zurück an den Händler. Zusätzlich zu den gesetzlichen Rechten hat der Käufer die Option, gemäß den folgenden Bedingungen Gewährleistung zu fordern:

Wir bieten eine 2-Jahres-Gewährleistung für das erworbene Gerät, beginnend am Tag des Verkaufs. Wenn Sie ein defektes Produkt haben, nehmen Sie bitte direkt Kontakt mit dem Verkäufer auf.

Defekte, die aufgrund von unangemessenem Umgang mit dem Gerät entstehen und Störungen aufgrund von Eingriffen und Reparaturen Dritter oder das Montieren von nicht-Originalteilen, werden nicht von dieser Garantie abgedeckt. Die Quittung immer aufbewahren, ohne Quittung wird jegliche Garantie ausgeschlossen. Bei Schäden durch Nichteinhalten der Bedienungsanleitung erlischt die Garantie, Wir sind für daraus resultierende Folgeschäden nicht haftbar. Für Materialschäden oder Verletzungen aufgrund falscher Anwendung oder Nichtbefolgen der Sicherheitshinweise sind wir nicht haftbar. Schäden an den Zubehörteilen bedeutet nicht, dass das gesamte Gerät kostenlos ausgetauscht wird. In diesem Fall kontaktieren Sie unseren Kundendienst. Zerbrochenes Glas oder Kunststoffteile sind immer kostenpflichtig. Schäden an Verbrauchsmaterialien oder Verschleißteilen, sowie Reinigung, Wartung, Austausch oder Kosten für Versand/Transport zum Reparaturort und zurück, der besagten Teile werden durch die Garantie nicht abgedeckt und sind deshalb kostenpflichtig.

UMWELTGERECHTE ENTSORGUNG



Wiederverwertung – Europäischen Richtlinie 2012/19/EG

Dieses Symbol zeigt an, dass das Produkt nicht zusammen mit Haushaltsabfällen entsorgt werden darf. Um Umwelt- und Gesundheitsschäden durch unkontrollierte Abfallentsorgung zu verhindern,

■ bitte verantwortungsbewusst entsorgen, um die nachhaltige Wiederverwertung von Ressourcen zu fördern. Nutzen Sie zur Rückgabe Ihres Altgeräts bitte die Rückgabe- und Sammelsysteme oder wenden Sie sich an den Händler bei dem Sie dieses Gerät erworben haben. Dieser kann das Gerät umweltschonend entsorgen.



BATTERIEN MÜSSEN WIEDERVERWERTET ODER KORREKT ENTSORGT WERDEN. NICHT ÖFFNEN. NICHT WEGWERFEN, IN FEUER WERFEN ODER KURZSCHLIESSEN.

Emerio Switzerland AG
Oberneuhofstrasse 1
6340 Baar
Switzerland

ANWEISUNGEN FÜR DIE REPARATUR VON GERÄTEN, DIE R290 ENTHALTEN

1. Reparaturen

1) Prüfung des Bereichs

Vor Arbeiten an Systemen, die zündfähige Kältemittel enthalten, sind Sicherheitskontrollen erforderlich, um für eine Minimierung des Zündrisikos zu sorgen. Zur Reparatur von Kälteanlagen müssen die folgenden Sicherheitsvorkehrungen getroffen werden, bevor Arbeiten an den Anlagen durchgeführt werden.

2) Arbeitsweise

Die Arbeiten müssen unter kontrollierten Bedingungen ausgeführt werden, um das Risiko so gering wie möglich zu halten, dass während der Arbeiten zündfähige Gase oder Dämpfe vorhanden sind.

3) Allgemeines zum Arbeitsbereich

Das gesamte Wartungspersonal sowie andere, die in dem Arbeitsbereich tätig sind, müssen in die Art der auszuführenden Arbeiten eingewiesen werden. Arbeiten bei mangelndem Platzangebot sind zu vermeiden. Die Zone um den Arbeitsbereich herum muss abgesperrt werden. Es ist sicherzustellen, dass die Arbeitsbedingungen innerhalb der Zone durch eine Kontrolle des zündfähigen Materials sicher gemacht wurden.

4) Prüfung auf Kältemittel

Mit einem geeigneten Kältemittel-Detektor muss der Bereich vor Beginn und während der Arbeiten auf das Vorhandensein eines Kältemittels überprüft werden, damit das technische Personal über eine potenziell zündfähige Atmosphäre informiert ist. Das verwendete Lecksuchgerät muss für die Erkennung von zündfähigen Kältemitteln geeignet sein, d. h. es darf keine Funken bilden und es muss angemessen versiegelt bzw. eigensicher sein.

5) Prüfung auf Feuerlöschgeräte

Falls Heiarbeiten an Kälteanlagen oder dazu gehrigen Komponenten durchzufhren sind, muss eine geeignete Feuerlscheinrichtung griffbereit sein. Neben dem Einlaufbereich sollte ein Feuerlschgert mit Trockenpulver oder CO₂ bereit stehen.

6) Keine Zndquellen

Personen, die Arbeiten an einer Klteanlage ausfhren, bei denen Rohrleitungen freigelegt werden, in denen zndfhige Kltemittel geleitet werden oder wurden, drfen Zndquellen keinesfalls auf eine Weise benutzen, die zu einer Brand- oder Explosionsgefahr fhren kann. Alle mglichen Zndquellen wie etwa das Rauchen von Zigaretten sollten in gengend sicherem Abstand von dem Ort der Installation, Reparatur, Verlegung und Entsorgung fern gehalten werden, bei der unter Umstnden zndfhiges Kltemittel an die Umgebung freigesetzt wird. Vor der Ausfhrung von Arbeiten muss der Bereich um die Anlage herum auf gefhrliche Zndquellen oder Brandgefhrdungen untersucht werden. „Rauchen verboten“ Schilder mssen aufgestellt werden.

7) Belfteter Bereich

Der Arbeitsbereich muss sich im Freien befinden oder ausreichend belftet werden, bevor die Anlage geffnet wird oder Heiarbeiten durchgefhrt werden. Fr den gesamten Zeitraum der Arbeitsausfhrung muss ein gewisser Grad an Belftung aufrechterhalten bleiben. Die Belftung muss das freigesetzte Kltemittel sicher verteilen und vorzugsweise nach auen an die Atmosphre befrdern knnen.

8) berprfung der Klteanlage

Sofern Elektrokomponenten auszuwechseln sind, mssen diese fr den jeweiligen Zweck geeignet sein und die richtigen technischen Eigenschaften besitzen. Die Wartungs- und Instandhaltungsvorschriften des Herstellers mssen stets befolgt werden. Im Zweifelsfall bei der technischen Abteilung des Herstellers rckfragen.

Folgende Kontrollen mssen bei Anlagen mit zndfhigen Kltemitteln durchgefhrt werden:

- Die Einfllmenge muss der Gre des Raums entsprechen, in dem die Kltemittel enthaltenden Teile installiert werden;
- Die Belftungsmaschinen und Auslsse funktionieren einwandfrei und werden nicht blockiert;
- Bei Einsatz eines indirekten Kltemittelkreislaufs muss der sekundre Kreislauf auf Kltemittelaustritte geprft werden;

- Die Kennzeichnungen an der Anlage sind deutlich sichtbar und leserlich. Nicht lesbare Kennzeichnungen und Schilder müssen korrigiert werden;
- Kühlrohrleitungen oder Komponenten sind in Positionen installiert, in denen eine Gefährdung durch andere Stoffe, die Kältemittel enthaltende Komponenten angreifen können, unwahrscheinlich ist, es sei denn, die Komponenten bestehen aus Materialien, die stoffbedingt korrosionsresistent sind oder sie werden auf geeignete Weise vor Korrosion geschützt.

9) Prüfung elektrischer Geräte

Zu Reparatur- und Wartungsarbeiten an Elektroteilen gehören auch Sicherheits-Erstprüfungen sowie Arbeitsschritte zur Komponentenprüfung. Liegt ein Defekt vor, der die Sicherheit gefährden könnte, darf solange keine elektrische Versorgung an den Verbraucher angeschlossen werden, bis der Defekt zufriedenstellend behoben wurde. Sollte sich der Defekt nicht unmittelbar beheben lassen, jedoch der Betrieb fortgesetzt werden muss, muss auf eine angemessene Behelfslösung verwendet werden. Diese sollte dem Eigentümer der Anlage mitgeteilt werden, sodass alle Beteiligten informiert sind. Zu den Sicherheits-Erstprüfungen gehören folgende:

- Kondensatoren müssen entladen werden. Dies muss auf sichere Art und Weise geschehen, um eine Funkenbildung zu vermeiden;
- Beim Befüllen, Nachfüllen oder Spülen der Anlage dürfen keine stromführenden Komponenten und Leitungen frei liegen;
- Es muss eine durchgängige Verbindung zur Schutz Erde vorhanden sein.

2. Reparaturen an versiegelten Komponenten

- 1) Bei Reparaturen an versiegelten Komponenten müssen alle elektrischen Versorgungseinrichtungen von der Anlage getrennt werden, an der Arbeiten ausgeführt werden, bevor versiegelte Schutzvorrichtungen o. ä. entfernt werden. Falls eine elektrische Versorgung der Anlage während der Wartungsarbeiten unvermeidlich ist, muss eine permanent arbeitende Leckerkennung an den kritischsten Stellen vorgesehen werden, um vor eventuellen Gefahrensituationen zu warnen.
- 2) Besondere Aufmerksamkeit sollte den nachfolgenden Punkten geschenkt werden, um sicher zu stellen, dass durch Arbeiten an den elektrischen Komponenten nicht die Umhausung soweit verändert wird, dass der Schutzgrad dadurch eingeschränkt wird. Dazu gehören unter anderem Kabelschäden, eine überhöhte Anzahl an Anschlüssen, Anschlüsse, die nicht nach Herstellerspezifikationen hergestellt werden, Schäden an Versiegelungen, eine falsche Montage von Kabeldurchführungen etc.

Sicher stellen, dass das Gerät fest aufgestellt ist. Sicher stellen, dass weder Versiegelungen noch Dichtstoffe so sehr gealtert sind, dass sie ein Eindringen zündfähiger Atmosphären nicht mehr verhindern und somit ihren Zweck nicht mehr erfüllen können. Ersatzteile müssen den Spezifikationen des Herstellers entsprechen.

HINWEIS: Die Verwendung von Silikondichtmitteln kann die Wirksamkeit mancher Leckdetektorgeräte beeinträchtigen. Eigensichere Komponenten müssen nicht elektrisch getrennt werden, bevor an ihnen gearbeitet wird.

3. Reparaturen an eigensicheren Komponenten

Keine permanenten induktiven oder kapazitiven Verbraucher an die Schaltung anlegen, wenn nicht dafür gesorgt ist, dass Spannung und Strom die zulässigen Grenzen für den Betrieb der Anlage überschreiten. Eigensichere Komponenten sind die einzigen Teile, an denen bei anliegendem Strom und zündfähiger Atmosphäre gearbeitet werden kann. Das Prüfinstrument muss die korrekten Bemessungswerte vorweisen. Komponenten nur durch Teile ersetzen, die vom Hersteller angegeben sind. Fremtteile können in der Atmosphäre einer Leckage zu einer Zündung des Kältemittels führen.

4. Kabelverbindungen

Kabelverbindungen auf Verschleiß, Korrosion, zu hohem Druck, Vibrationen, scharfe Kanten oder andere schädliche Umgebungsauswirkungen überprüfen. Bei der Prüfung sollten auch die Folgen von Alterung oder dauernden Vibrationen aufgrund von Kompressoren oder Lüftern berücksichtigt werden.

5. Erkennung zündfähiger Kältemittel

Unter keinen Umständen dürfen potenzielle Zündquellen dafür benutzt werden, um Kältemittel-Leckagen zu lokalisieren oder zu detektieren. Ein Halogen-Lecksucher (oder jeder andere Detektor, der eine offene Flamme einsetzt) darf nicht benutzt werden.

6. Verfahren der Leckerkennung

Folgende Leckdetektor-Verfahren gelten als zulässig für Anlagen, die zündfähige Kältemittel enthalten.

Elektronische Leckdetektoren müssen für die Erkennung zündfähiger Kältemittel eingesetzt werden, jedoch ist die Empfindlichkeit unter Umständen nicht ausreichend oder sie müssen neu kalibriert werden. (Detektorgeräte müssen in einem Kältemittel freien Bereich kalibriert werden.) Sicher stellen, dass der Detektor keine potenzielle Zündquelle für das verwendete Kältemittel darstellt. Das Leckdetektorgerät muss auf einen Prozentsatz des LFL des Kältemittels eingestellt werden und es muss für das eingesetzte Kältemittel kalibriert werden. Die entsprechende Menge Gas (maximal 25 %) ist zu bestätigen. Flüssige Leckdetektoren eignen sich für die meisten Kältemittel, jedoch müssen chlorhaltige Detektoren vermieden werden, da das Chlor mit dem Kältemittel reagieren und Kupferrohrleitungen angreifen kann. Falls ein Leckverdacht besteht, sollten alle offenen Flammen entfernt bzw. gelöscht werden. Wenn ein Kältemittelleck gefunden wird und Hartlötarbeiten erforderlich sind, muss das gesamte Kältemittel aus der Anlage aufgefangen oder (durch Absperrschieber) in einen Teil der Anlage abgeschieden werden, der von der Leckstelle weit entfernt ist. Sauerstofffreier Stickstoff (OFN) muss anschließend zum Spülen der Anlage vor sowie während der Hartlötarbeiten eingesetzt werden.

7. Entfernen und Evakuierung

Wenn der Kältemittelkreis für Reparaturarbeiten oder für andere Zwecke unterbrochen wird, müssen herkömmliche Methoden verwendet werden. Es sollte dabei jedoch immer eine in der Praxis bewährte Vorgehensweise benutzt werden, da die Zündfähigkeit ein kritischer Punkt ist. Nach folgender Vorgehensweise richten:

- Kältemittel entfernen;
- Den Kreislauf mit einem Edelgas spülen;
- Evakuieren;
- Nochmals mit Edelgas spülen;
- Den Kreislauf durch Trennschneiden oder Hartlöten öffnen.

Das vorhandene Kältemittel in geeigneten Behältern auffangen. Um die Anlage sicher zu machen, mit sauerstofffreiem Stickstoff „spülen“. Der Vorgang muss eventuell mehrmals wiederholt werden. Für diese Aufgabe darf weder Druckluft noch Sauerstoff verwendet werden. Zum Spülen wird der Unterdruck in der Anlage mit sauerstofffreiem Stickstoff aufgehoben und weiter gefüllt, bis der Betriebsdruck erreicht ist. Danach wird der Stoff in die Atmosphäre entlüftet und der Unterdruck wieder hergestellt. Dieser Vorgang wird wiederholt, bis sich kein Kältemittel mehr in der Anlage befindet. Nach dem letzten Stickstoff-Spülgang wird die Anlage bis auf Atmosphärendruck entlüftet, damit die Arbeiten ausgeführt werden können. Dieser Vorgang ist ein absolutes Muss, wenn Hartlötarbeiten an den Rohrleitungen auszuführen sind. Dafür sorgen, dass der Auslauf der Unterdruckpumpe nicht in der Nähe von Zündquellen liegt und dass eine Belüftung verfügbar ist.

8. Vorgehensweise beim Befüllen

Abgesehen von den herkömmlichen Befüllungsarbeiten müssen die folgenden Anweisungen befolgt werden.

- Bei Einsatz der Einfüllgeräte dafür sorgen, dass keine Verunreinigung durch verschiedene Kältemittel stattfindet. Schläuche oder Leitungen müssen so kurz wie möglich sein, um die Menge des darin enthaltenen Kältemittels zu minimieren.
- Behälter müssen aufrecht gestellt werden.
- Dafür sorgen, dass die Kälteanlage geerdet wird, bevor das Kältemittel eingefüllt wird.

- Nach Abschluss der Befüllung muss die Anlage gekennzeichnet werden (sofern nicht schon geschehen).
- Es muss besonders darauf geachtet werden, dass die Kälteanlage nicht überfüllt wird.

Vor dem Auffüllen der Anlage sollte diese mittels sauerstofffreiem Stickstoff druckgeprüft werden. Nach Abschluss der Befüllung und vor der Inbetriebnahme muss die Anlage auf Dichtheit geprüft werden. Vor dem Verlassen des Ortes muss ein anschließender Lecktest durchgeführt werden.

9. Außerbetriebnahme

Vor diesen Arbeiten ist es unerlässlich, dass sich der Techniker mit der Anlage und allen zugehörigen Details auskennt. Es gilt als gute Vorgehensweise, sämtliches Kältemittel sicher aufzufangen. Vor Ausführung der Arbeiten muss eine Öl- und Kältemittelprobe genommen werden, falls vor der Wiederverwertung des Kältemittels eine Analyse durchgeführt werden muss. Bevor die Arbeit aufgenommen wird, muss unbedingt elektrischer Strom vorhanden sein.

- a) Die Anlage und ihre Funktionsweise müssen bekannt sein.
- b) Anlage elektrisch trennen.
- c) Vor den Arbeiten folgende Punkte sicher stellen:
 - Mechanische Transportanlage steht zur Verfügung, sofern diese für den Umgang mit den Kältemittelbehältern notwendig werden;
 - Die gesamte persönliche Schutzausrüstung steht zur Verfügung und wird korrekt eingesetzt;
 - Die Rückgewinnung wird von einer fachkundigen Person stets überwacht;
 - Die Anlagen und Behälter für die Rückgewinnung entsprechen den jeweiligen Standards.
- d) Falls möglich, die Kältemittelanlage entlüften.
- e) Sollte der Unterdruck nicht möglich sein, einen Verteiler vorsehen, damit das Kältemittel an verschiedenen Stellen der Anlage entnommen werden kann.
- f) Daran denken, den Behälter auf eine Waage zu stellen, bevor die Rückgewinnung stattfindet.
- g) Die Rückgewinnungsanlage starten und nach Anweisungen des Herstellers einsetzen.
- h) Die Behälter nicht überfüllen. (Nicht mehr als 80 % des flüssigen Füllvolumens).
- i) Den maximalen Betriebsdruck des Behälters nicht überschreiten, auch nicht vorübergehend.
- j) Wenn die Behälter korrekt befüllt wurden und der Vorgang abgeschlossen ist, müssen die Behälter und die Anlage möglichst bald vom Standort entfernt werden. Alle Absperrventile an der Anlage müssen verriegelt sein.
- k) Das aufgefangene Kältemittel darf nicht in eine andere Kälteanlage gefüllt werden, es sei denn, diese wurde gereinigt und überprüft.

10. Kennzeichnung

An der Anlage muss eine Kennzeichnung angebracht werden, die auf die Außerbetriebnahme und Entleerung des Kältemittels hinweist. Die Kennzeichnung muss datiert und unterzeichnet werden. Darauf achten, dass Schilder an der Anlage auf das enthaltene zündfähige Kältemittel aufmerksam machen.

11. Wiederverwertung

Beim Entfernen von Kältemittel aus einer Anlage zwecks Wartung oder Außerbetriebnahme wird es als gute praktische Vorgehensweise empfohlen, sämtliches Kältemittel sicher zu entfernen. Beim Umfüllen von Kältemittel in Behälter ist sicher zu stellen, dass nur für die Wiederverwertung geeignete Behälter eingesetzt werden. Dafür sorgen, dass genügend Behälter zur Aufnahme der gesamten Anlagenbefüllung zur Verfügung stehen. Alle zu benutzenden Behälter sind für das wiederverwendete Kältemittel gekennzeichnet und beschriftet (z. B. Spezialbehälter für Kältemittelverwertung). Die Behälter müssen mit Überdruckventilen und geeigneten Absperrventilen in gutem Betriebszustand ausgestattet sein. Leere Wiederverwertungsbehälter werden entfernt und, sofern möglich, gekühlt, bevor die Wiederverwertung stattfindet. Die Wiederverwertungsanlage muss sich in einem guten Betriebszustand befinden. Die vollständigen Unterlagen zu der Anlage müssen griffbereit sein und die Anlage muss für die Wiederverwertung zündfähig

Kältemittel geeignet sein. Außerdem müssen mehrere Waagen zur Verfügung stehen und in gutem Zustand sein. Schläuche müssen vollständig mit dichten Kupplungsstücken zur Verfügung stehen und in gutem Zustand sein. Vor der Benutzung der Wiederverwertungsvorrichtung kontrollieren, ob sich diese in gutem Betriebszustand befindet, ordnungsgemäß instandgehalten wurde und ob alle zugehörigen elektrischen Komponenten versiegelt sind, um einen Zündvorgang zu verhindern, falls Kältemittel austritt. Im Zweifelsfall den Hersteller kontaktieren. Das abgefüllte Kältemittel muss im richtigen Auffangbehälter an den Kältemittel-Lieferanten zurückgeliefert werden. Dazu muss ein entsprechendes Altlasten-Transportavis ausgestellt sein. Kältemittel in Auffangbehältern und besonders in Fässern nicht vertauschen. Falls Kompressoren oder Kompressoröle entfernt werden müssen, ist dafür zu sorgen, dass diese bis zu einem geeigneten Maß aus der Anlage entfernt wurden, um sicher zu stellen, dass kein zündfähiges Kältemittel beim Schmierstoff verbleibt. Die Beseitigung muss ausgeführt werden, bevor der Kompressor an den Lieferanten zurückgesendet wird. Nur eine Elektroheizung am Kompressorgehäuse darf eingesetzt werden, um diesen Vorgang zu beschleunigen. Wenn Öl aus der Anlage abgelassen wird, muss dies sicher durchgeführt werden.

Fachkenntnisse des Wartungspersonals

Allgemeines

Eine besondere Schulung ist neben der üblichen Einweisung in die herkömmlichen Reparaturschritte für Kälteanlagen erforderlich, wenn es sich um Anlagen mit zündfähigen Kältemitteln handelt.

In vielen Ländern wird diese Schulung von nationalen Fortbildungsinstituten durchgeführt, die für die Unterweisung nach den einschlägigen nationalen und vom Gesetzgeber vorgeschriebenen Fachstandards akkreditiert sind.

Die erlangte Fachkompetenz muss durch ein Zertifikat nachgewiesen sein.

Schulung

Zum Schulungsumfang sollten folgende Themen gehören:

Informationen über das Explosionspotenzial zündfähiger Kältemittel, um deutlich zu machen, dass zündfähige Stoffe bei unachtsamer Handhabung gefährlich werden können.

Informationen über potenzielle Zündquellen, insbesondere solche, die nicht offensichtlich sind wie etwa Anzünder, Lichtschalter, Staubsauger, Elektroheizungen.

Informationen über die verschiedenen Sicherheitskonzepte:

Unbelüftet – Die Sicherheit einer Anlage hängt nicht von der Belüftung des Gehäuses ab. Das Abschalten des Geräts oder das Öffnen des Gehäuses beeinträchtigt die Sicherheit nicht erheblich. Es ist dennoch möglich, dass sich ausgetretenes Kältemittel im Gehäuse abgesetzt hat und dass beim Öffnen des Gehäuses eine zündfähige Atmosphäre freigesetzt wird.

Belüftetes Gehäuse – Die Sicherheit der Anlage hängt von der Belüftung des Gehäuses ab. Das Abschalten des Geräts oder das Öffnen des Gehäuses beeinträchtigt die Sicherheit erheblich. Auf eine ausreichende Belüftung sollte zuvor besonders geachtet werden.

Belüfteter Raum – Die Sicherheit der Anlage hängt von der Raumbelüftung ab. Das Abschalten des Geräts oder das Öffnen des Gehäuses beeinträchtigt die Sicherheit nicht erheblich. Die Belüftung des Raums darf während der Reparaturarbeiten nicht abgeschaltet werden.

Informationen über das Konzept versiegelter Komponenten und Gehäuse gemäß IEC 60079-15:2010.

Informationen über die richtigen Arbeitsmethoden:

a) Inbetriebnahme

- Sicher stellen, dass der Werkstattbereich für die Kältemittelfüllung ausreicht oder dass die Belüftungsleitung korrekt montiert wurde.
- Die Leitungen anschließen und einen Lecktest durchführen, bevor das Kältemittel eingefüllt wird.
- Vor der Inbetriebnahme die Sicherheitsausrüstung prüfen.

b) Wartung

- Tragbare Geräte müssen im Freien oder in einer Werkstatt repariert werden, die für die Reparatur von Anlagen mit zündfähigen Kältemitteln besonders ausgestattet ist.
- Am Ort der Reparatur auf eine ausreichende Belüftung achten.

- Daran denken, dass eine Störung der Anlage durch Kältemittelverlust verursacht sein kann und dass ein Kältemittelleck möglich ist.
 - Kondensatoren so entladen, dass sie keine Funken erzeugen. Bei der Standardmethode für das Entladen an den Kondensatoranschlüssen entstehen in der Regel Funken.
 - Versiegelte Gehäuse müssen präzise wieder zusammengebaut werden. Verschlossene Dichtungen austauschen.
 - Vor der Inbetriebnahme die Sicherheitsausrüstung prüfen.
- c) Reparatur
- Tragbare Geräte müssen im Freien oder in einer Werkstatt repariert werden, die für die Reparatur von Anlagen mit zündfähigen Kältemitteln besonders ausgestattet ist.
 - Am Ort der Reparatur auf eine ausreichende Belüftung achten.
 - Daran denken, dass eine Störung der Anlage durch Kältemittelverlust verursacht sein kann und dass ein Kältemittelleck möglich ist.
 - Kondensatoren so entladen, dass sie keine Funken erzeugen.
 - Falls Hartlöten notwendig ist, müssen die folgenden Arbeitsschritte in der richtigen Reihenfolge ausgeführt werden:
 - Kältemittel entfernen. Falls eine Wiederverwertung nicht gesetzlich vorgeschrieben ist, das Kältemittel ins Freie ablassen. Dafür sorgen, dass das abgelassene Kältemittel keine Gefahren verursacht. Im Zweifelsfall sollte eine Person den Auslauf überwachen. Besonders darauf achten, dass abgelassenes Kältemittel nicht wieder in das Gebäude zurückströmt.
 - Den Kältemittelkreislauf entleeren.
 - Den Kältemittelkreislauf 5 Minuten lang mit Stickstoff spülen.
 - Danach erneut entleeren.
 - Auszutauschende Teile herausschneiden, ohne Flamme.
 - Die Hartlötstelle während des Lötvorgangs mit Stickstoff spülen.
 - Vor dem Einfüllen des Kältemittels einen Lecktest durchführen.
 - Versiegelte Gehäuse müssen präzise wieder zusammengebaut werden. Verschlossene Dichtungen austauschen.
 - Vor der Inbetriebnahme die Sicherheitsausrüstung prüfen.
- d) Außerbetriebnahme
- Wenn die Sicherheit bei der Außerbetriebnahme der Anlage beeinträchtigt ist, muss die Kältemittelbefüllung vor der Außerbetriebnahme entfernt werden.
 - Für ausreichende Belüftung am Anlagenstandort sorgen.
 - Daran denken, dass eine Störung der Anlage durch Kältemittelverlust verursacht sein kann und dass ein Kältemittelleck möglich ist.
 - Kondensatoren so entladen, dass sie keine Funken erzeugen.
 - Kältemittel entfernen. Falls eine Wiederverwertung nicht gesetzlich vorgeschrieben ist, das Kältemittel ins Freie ablassen. Dafür sorgen, dass das abgelassene Kältemittel keine Gefahren verursacht. Im Zweifelsfall sollte eine Person den Auslauf überwachen. Besonders darauf achten, dass abgelassenes Kältemittel nicht wieder in das Gebäude zurückströmt.
 - Den Kältemittelkreislauf entleeren.
 - Den Kältemittelkreislauf 5 Minuten lang mit Stickstoff spülen.
 - Danach erneut entleeren.
 - Bis zum Atmosphärendruck mit Stickstoff befüllen.
 - An der Anlage ein Schild anbringen, das auf das entfernte Kältemittel hinweist.
- e) Entsorgung
- Am Arbeitsort auf eine ausreichende Belüftung achten.
 - Kältemittel entfernen. Falls eine Wiederverwertung nicht gesetzlich vorgeschrieben ist, das Kältemittel ins Freie ablassen. Dafür sorgen, dass das abgelassene Kältemittel keine Gefahren verursacht. Im Zweifelsfall sollte eine Person den Auslauf überwachen. Besonders darauf achten, dass abgelassenes Kältemittel nicht wieder in das Gebäude zurückströmt.

- Den Kältemittelkreislauf entleeren.
- Den Kältemittelkreislauf 5 Minuten lang mit Stickstoff spülen.
- Danach erneut entleeren.
- Den Kompressor herausschneiden und das Öl ablassen.

Transport, Kennzeichnung und Aufbewahrung von Anlagen, die zündfähige Kältemittel verwenden

Transport von Anlagen, die zündfähiges Kältemittel enthalten

Es wird darauf aufmerksam gemacht, dass zusätzliche Transportvorschriften für Anlagen mit zündfähigen Gasen vorhanden sein können. Die Höchstanzahl an Anlagenteilen oder die Konfiguration der Anlage, die zusammen transportiert werden dürfen, wird von den jeweils geltenden Transportvorschriften bestimmt.

Kennzeichnung der Anlage mittels Schildern

Schilder für ähnliche Anlagen, die generell in einem Arbeitsbereich eingesetzt werden, werden von örtlichen Vorschriften geregelt und legen die Mindestanforderungen an die Sicherheit und/oder an das Vorsehen von Warnschildern an einem Arbeitsort fest.

Alle vorgeschriebenen Schilder müssen instandgehalten werden. Arbeitgeber müssen dafür sorgen, dass die Mitarbeiter geeignete und ausreichende Anweisungen und Unterweisungen über die Bedeutung der jeweiligen Sicherheitsschilder und über die Maßnahmen erhalten, die in Verbindung mit diesen Schildern zu ergreifen sind.

Die Wirkung der Schilder darf nicht durch ein Übermaß an Beschilderungen beeinträchtigt werden, die gemeinsam verwendet werden.

Alle verwendeten Piktogramme sollten so einfach wie möglich gehalten werden nur die wichtigsten Angaben enthalten.

Entsorgung von Anlagen mit zündfähigen Kältemitteln

Dazu wird auf die nationalen Vorschriften verwiesen.

Aufbewahrung von Anlagen/Geräten

Die Anlagen sollten den Herstelleranweisungen entsprechend aufbewahrt werden.

Aufbewahrung verpackter (nicht verkaufter) Anlagen

Der Schutz für verpackte Ware beim Einlagern sollte so konstruiert sein, dass mechanische Schäden an der Anlage in der Verpackung nicht zu einem Austreten von Kältemittel führen.

Die Höchstanzahl der Anlagen, die zusammen eingelagert werden dürfen, ist in den örtlichen Vorschriften vorgeschrieben.

CONSIGNES DE SÉCURITÉ

Avant d'utiliser l'appareil, lisez toutes les consignes suivantes pour éviter des blessures et des dommages, et pour optimiser les performances de votre appareil. Conservez cette notice d'utilisation dans un endroit sûr. Si vous donnez ou transférez cet appareil à un tiers, veillez à lui remettre également cette notice d'utilisation.

En cas de détérioration due au non-respect par l'utilisateur des instructions de cette notice d'utilisation, la garantie est annulée. Le fabricant/importateur rejette toute responsabilité en cas de dommages dus au non-respect des instructions de la notice d'utilisation, à un usage négligent ou à l'usage non conforme aux exigences de cette notice d'utilisation.

1. Lisez et conservez ces instructions. Attention: les images incluses dans le manuel d'instructions servent de référence seulement.
2. Cet appareil peut être utilisé par des enfants âgés d'au moins 8 ans et par des personnes ayant des capacités physiques, sensorielles ou mentales réduites ou dénuées d'expérience ou de connaissance, s'ils (si elles) sont correctement surveillé(e)s ou si des instructions relatives à l'utilisation de l'appareil en toute sécurité leur ont été données et si les risques encourus ont été appréhendés.
3. Les enfants ne doivent pas jouer avec l'appareil.
4. Le nettoyage et la maintenance ne doivent pas être effectués par des enfants sans surveillance.
5. Si le câble d'alimentation est endommagé, il doit être remplacé par le fabricant, son service après vente ou des personnes de qualification similaire afin d'éviter un danger.
6. Utiliser l'appareil uniquement en intérieur.
7. N'utilisez pas l'appareil dans une zone près d'une source inflammable ; où de l'huile est susceptible d'être éclaboussée ; où il serait exposé à la lumière directe du soleil ; où il risque d'être éclaboussé par de l'eau ; à proximité d'une baignoire, d'une laverie, d'une douche ou d'une piscine.

8. N'insérez jamais vos doigts ou des bâtons dans la sortie d'air. Prévenez particulièrement les enfants de ces dangers.
9. Gardez l'unité en position verticale pendant le transport et le stockage, car le compresseur doit rester droit.
10. Avant de nettoyer ou de déplacer l'appareil, éteignez et débranchez toujours le câble d'alimentation.
11. Pour éviter tout risque d'incendie, ne couvrez pas l'appareil.
12. Toutes les prises du climatiseur doivent être conformes aux exigences de sécurité électriques locales. Si nécessaire, veuillez vérifier la conformité de ces exigences.
13. L'appareil doit être installé conformément aux réglementations de câblage nationales.
14. Description du type et du calibre des fusibles : T, 250V CA, 2A ou 3,15 A.
15. Contactez un technicien autorisé pour la réparation ou l'entretien de cet appareil.
16. Ne tirez pas, ne déformez pas, ne modifiez pas le câble d'alimentation et ne l'immergez pas dans l'eau. Tirer ou mal utiliser le câble d'alimentation peut endommager l'appareil et provoquer un choc électrique.
17. La conformité aux réglementations nationales en matière de gaz doit être observée.
18. L'entretien ne doit être effectué que selon les recommandations du fabricant de l'appareil. L'entretien et les réparations nécessitant l'assistance d'un autre personnel qualifié doivent être effectués sous la supervision de la personne compétente pour l'utilisation de réfrigérants inflammables.
19. N'éteignez pas l'appareil en tirant sur le câble d'alimentation car cela pourrait provoquer un choc électrique ou un incendie en raison de la chaleur générée.
20. Débranchez l'appareil si des sons étranges, une odeur ou de la fumée s'en échappent.
21. Branchez toujours l'appareil dans une prise de courant reliée à la terre.
22. En cas de dommage, veuillez éteindre l'interrupteur, débranchez le câble d'alimentation électrique et contactez un centre agréé pour faire réparer l'appareil.

23. N'utilisez pas de moyens pour accélérer le processus de dégivrage ou pour nettoyer l'appareil, autres que ceux recommandés par le fabricant.
24. L'appareil doit être rangé dans une pièce où il n'y a pas de sources d'inflammation à risque (comme par exemple, une flamme nue, un appareil à gaz en fonctionnement ou un appareil de chauffage électrique en marche).
25. Ne percez pas et ne brûlez pas l'appareil.
26. Sachez que les réfrigérants peuvent ne pas émettre d'odeur.
27. Cet appareil contient du gaz réfrigérant R290. R290 est un gaz réfrigérant conforme aux directives européennes sur l'environnement. . Ne percez aucune partie du circuit du réfrigérant.
28. Si l'appareil est installé, utilisé ou stocké dans une zone non ventilée, la pièce doit être conçue de manière à prévenir l'accumulation de fuites de réfrigérant pouvant entraîner un risque d'incendie ou d'explosion dû à l'inflammation du réfrigérant provoquée par des radiateurs électriques, des cuisinières ou d'autres sources d'inflammation.
29. L'appareil doit être rangé de manière à éviter les pannes mécaniques.
30. Les personnes qui travaillent ou interviennent sur le circuit frigorifique doivent avoir la certification appropriée délivrée par un organisme accrédité garantissant la compétence en matière de manipulation des frigorigènes conformément à une évaluation spécifique reconnue par les associations du secteur.
31. Les réparations doivent être effectuées conformément aux recommandations de l'entreprise de fabrication. L'entretien et les réparations qui nécessitent l'assistance d'un autre personnel qualifié doivent être effectués sous la supervision d'une personne experte dans l'utilisation de réfrigérants inflammables.
32. Laissez toujours l'appareil reposer pendant au moins 2 heures après l'avoir déplacé d'un endroit à un autre.
33. Concernant les instructions de réparation des appareils contenant du R290, veuillez vous reporter aux paragraphes ci-dessous.



Avertissement : Risque d'incendie / Matériaux inflammables.



Lisez le manuel d'instructions.



Manuel de l'opérateur ; mode d'emploi.



Indications sur les réparations ; lisez le manuel technique.

Avertissement : Maintenez les orifices de ventilation dégagés de tout obstacle.

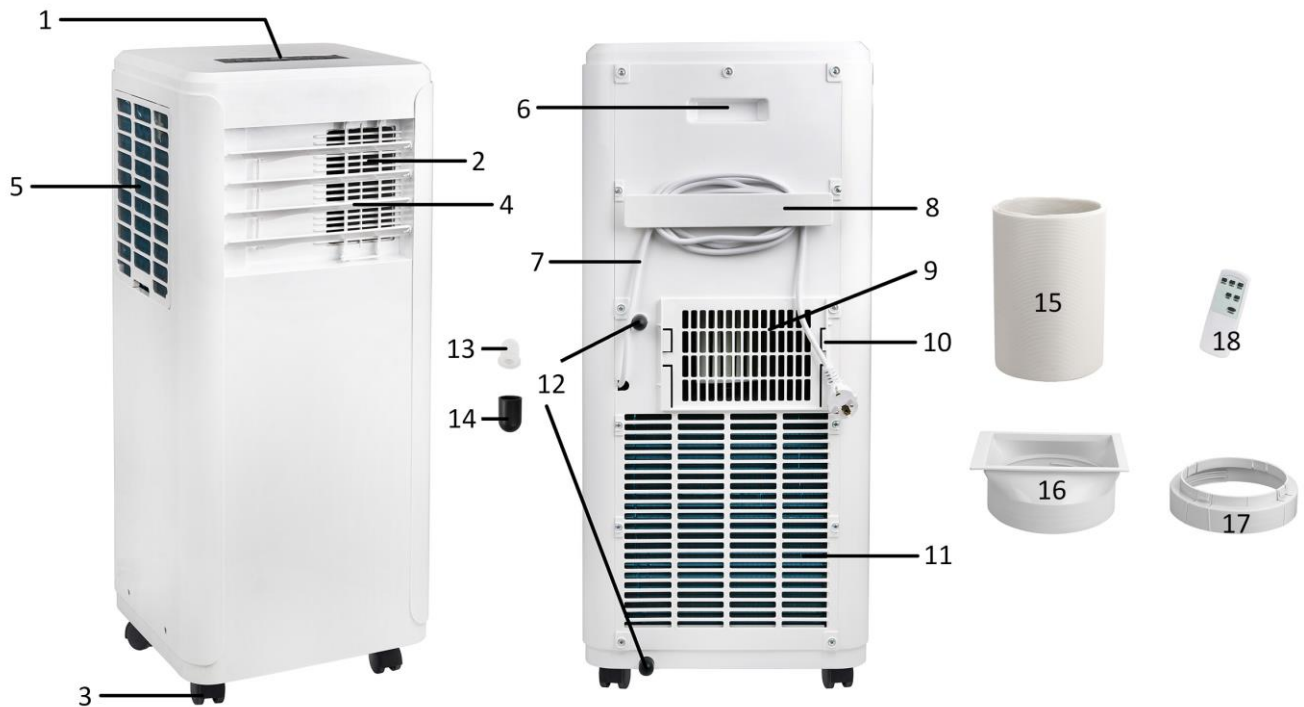
Avertissement : L'appareil doit être rangé dans une zone bien ventilée où la taille de la pièce correspond à celle spécifiée pour le fonctionnement.

Toute procédure de travail qui affecte les moyens de sécurité ne doit être effectuée que par des personnes compétentes. La distance requise autour de l'appareil doit être d'au moins 30 cm.

L'appareil doit être installé, utilisé et rangé dans une pièce dont la surface au sol est supérieure à X m².

MODÈLE	X (m ²)	Modèle
5000Btu/h,7000Btu/h, 8000Btu/h	4	-
9000Btu/h,10000Btu/h, 10500Btu/h	12	-
12000Btu/h,14000Btu/h, 16000Btu/h,18000Btu/h	15	PAC-127068.2

DESCRIPTION DES PIÈCES

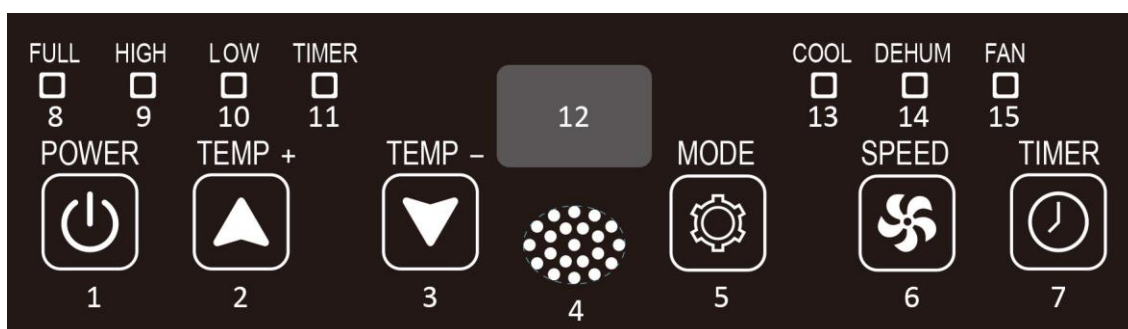


- | | |
|--|---|
| 1. Panneau de contrôle | 10. Fixation pour raccord de tuyau (extrémité du climatiseur) |
| 2. Sortie d'air | 11. Entrée d'air |
| 3. Molette | 12. Port de vidange |
| 4. Outils pour contrôler la direction du vent de haut en bas | 13. Bouchon en caoutchouc pour le port de vidange |
| 5. Filtre à air | 14. Pied en caoutchouc |
| 6. Poignée | 15. Tuyau d'évacuation d'air chaud |
| 7. Câble d'alimentation | 16. Raccord de tuyau (extrémité du climatiseur) |
| 8. Rangement du câble d'alimentation | 17. Raccord de tuyau (extrémité de la fenêtre) |
| 9. Sortie d'air chaud | 18. Télécommande |

Télécommande

Cet appareil est pourvu d'une télécommande. 2 piles AAA de 1,5 V doivent être installées. Les fonctions des boutons de la télécommande sont identiques à ceux des boutons tactiles du panneau de contrôle.

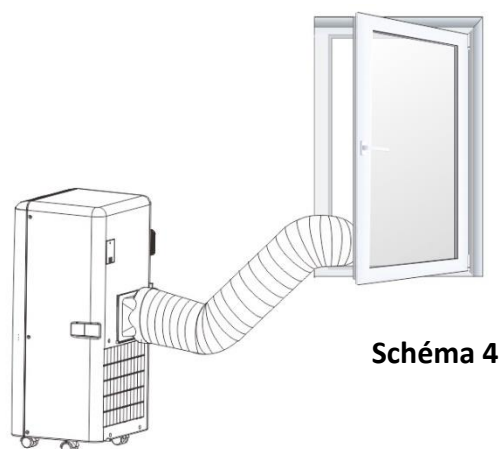
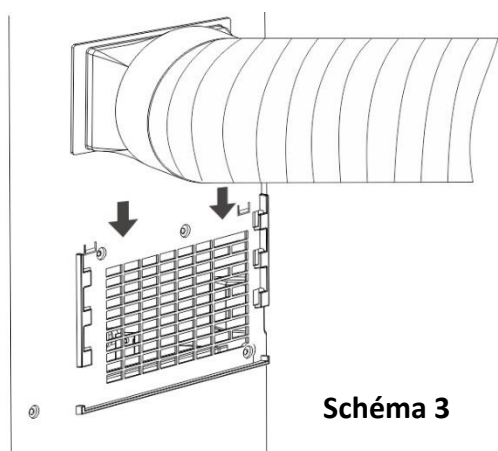
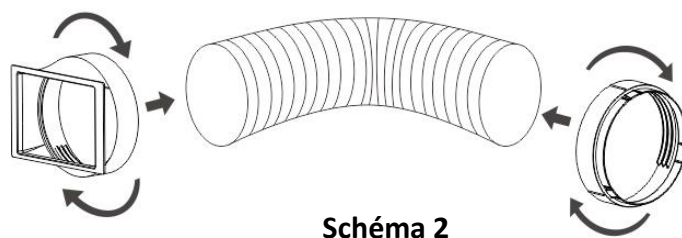
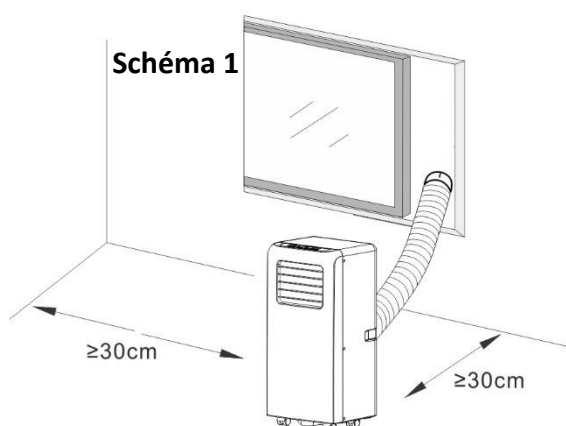
Panneau de contrôle



1. Bouton d'alimentation
2. Bouton d'augmentation de la température (minuteur)
3. Bouton de diminution de la température (minuteur)
4. Fenêtre du récepteur des signaux de la télécommande
5. Bouton de mode
6. Bouton de vitesse du vent
7. Bouton marche/arrêt du minuteur
8. Indicateur lumineux du bac plein d'eau
9. Indicateur lumineux de forte vitesse
10. Indicateur lumineux de faible vitesse
11. Indicateur lumineux du minuteur
12. Écran numérique
13. Indicateur lumineux du mode climatiseur
14. Indicateur lumineux du mode déshumidificateur
15. Indicateur lumineux du mode de ventilation

INSTALLATION (Les images ci-dessous sont à titre indicatif pour l'installation de l'appareil. L'appareil présenté sur l'illustration peut être différent du produit que vous avez acheté.)

- L'unité doit être installée sur une surface plate où la sortie d'air ne serait pas bloqué. La distance requise autour de l'unité doit être d'au moins 30 cm. **(Schéma 1)**
- L'unité ne doit pas être installée dans une laverie.
- Tournez les deux raccords de tuyau sur le tuyau d'évacuation d'air chaud. **(Schéma 2)**
- Insérez le raccord de tuyau (extrémité du climatiseur) dans les fixations à l'arrière de l'appareil. **(Schéma 3)**
- Placez l'autre extrémité du tuyau d'évacuation sur le rebord de fenêtre le plus proche. **(Schéma 4)**



FONCTIONNEMENT

Laissez toujours l'appareil reposer pendant au moins 2 heures après l'avoir déplacé d'un endroit à un autre. Avant l'utilisation, vérifiez si le tuyau d'évacuation a été correctement monté. Branchez l'appareil.

1. Bouton d'alimentation

Appuyez sur le bouton « POWER » pour mettre l'appareil en marche. L'appareil commencera à fonctionner en mode de refroidissement par vent faible. Appuyez à nouveau sur le bouton, l'appareil s'éteindra.

2. Bouton d'augmentation de la température (minuteur) et bouton de diminution de la température (minuteur)

Appuyez sur les boutons « TEMP + » / « TEMP- » pour régler la température ambiante souhaitée de 16 ° C à 31 ° C. Les boutons peuvent également être utilisés pour régler le minuteur entre 1 et 24 heures durant le réglage. La valeur sera augmentée / diminuée de 1 (° C / heure) à chaque pression. Appuyez longuement pour un réglage rapide.

Veuillez noter : L'appareil éteindra automatiquement le compresseur (pour le climatiseur) une fois que la température de la pièce aura atteint la température définie. Le compresseur sera activé automatiquement lorsque la température de la pièce augmentera au-delà de la température de consigne. Le ventilateur à l'intérieur fonctionne toujours tout au long de ce processus. Lorsque le compresseur fonctionne, l'unité vibre légèrement. Ceci est normal et sans danger.

3. Bouton de vitesse du vent

Appuyez sur le bouton « SPEED » pour changer la vitesse du vent entre faible et forte. L'indicateur correspondant « LOW » / « HIGH » (FAIBLE / FORTE) s'allumera.

4. Bouton de mode

Appuyez sur le bouton « MODE » pour choisir votre mode de fonctionnement souhaité : climatisation, déshumidification et ventilation.

- En mode de climatisation, l'indicateur correspondant « COOL » s'allumera. Appuyez sur les boutons « TEMP + » / « TEMP- » pour régler la température ambiante souhaitée. Appuyez sur le bouton « SPEED » pour régler la vitesse de ventilation désirée.
- En mode de déshumidification, l'indicateur correspondant « DEHUM » s'allumera. L'appareil règle automatiquement la température de fonctionnement (2 ° C en dessous de la température ambiante) et règle la vitesse du vent à faible vitesse. La température et la vitesse du vent ne peuvent pas être ajustées manuellement.
- En mode de ventilation, l'indicateur correspondant « FAN » s'allumera. Appuyez sur le bouton « SPEED » pour changer la vitesse du vent entre faible et forte. Veuillez noter : Dans ce mode, la fonction de température n'est pas disponible. L'affichage numérique indique une valeur qui n'a aucune signification.

5. Bouton marche/arrêt du minuteur

Réglage du minuteur de mise en marche :

- Lorsque l'appareil est éteint, appuyez sur le bouton « TIMER » et l'indicateur correspondant du minuteur s'allumera.
- Appuyez sur les boutons « TEMP + » / « TEMP- » pour sélectionner le nombre d'heures de 1 à 24 avant que l'appareil se mette en marche. Le « pré-réglage des heures avant la mise en marche » clignote sur l'affichage numérique. Appuyez à nouveau sur le bouton « TIMER » (lorsqu'il clignote encore) et le réglage sera en vigueur.
- L'appareil démarre automatiquement une fois que le « temps pré-réglé de mise en marche » est écoulé.

Réglage du minuteur d'arrêt :

- Lorsque l'appareil est en marche appuyez sur le bouton « TIMER » et l'indicateur correspondant du minuteur s'allumera.
- Appuyez sur les boutons « TEMP + » / « TEMP- » pour sélectionner le nombre d'heures de 1 à 24 avant que l'appareil s'arrête. Le « pré-réglage des heures avant l'arrêt » clignote sur l'affichage numérique. Appuyez à nouveau sur le bouton « TIMER » (lorsqu'il clignote encore) et le réglage sera en vigueur.
- L'appareil démarre automatiquement une fois que le « temps pré-réglé avant l'arrêt » est écoulé.

Remarque : L'affichage numérique indiquera le compte à rebours heure par heure après le réglage du minuteur. Appuyez à nouveau sur le bouton « TIMER » et la fonction du minuteur sera annulée.

REMARQUE : L'appareil continuera à fonctionner avec le mode de réglage précédent une fois réactivé sans être débranché. Si l'appareil a été débranché avant, il commencera à fonctionner en mode de climatisation à faible vitesse une fois activé à nouveau.

PRÉCAUTIONS d'utilisation pour les modes de climatisation et de déshumidification :

- Lors de l'utilisation des fonctions de climatisation et de déshumidification, maintenez un intervalle d'au moins 3 minutes entre chaque mise sous tension et hors tension.
- L'alimentation électrique doit satisfaire aux exigences.
- La prise est adaptée à une utilisation en courant alternatif.
- Ne branchez pas d'autres appareils à la même prise.
- L'alimentation est CA 220-240V, 50Hz.

Alarme de manque d'eau

Dans des conditions normales d'utilisation, l'unité peut évaporer automatiquement l'eau condensée, et une petite quantité d'eau s'accumule dans le bac à eau intérieur.

Dès que l'eau condensée recueillie dans le bac à eau intérieur atteint une certaine hauteur, une alarme de bac plein d'eau sera émise : l'indicateur de bac plein s'allumera et l'affichage numérique affichera le code « E2 » environ 5 minutes plus tard.

Ainsi, lorsque l'alarme de bac plein se produit, veuillez vidanger l'eau hors du bac à eau. Retirez la gaine en caoutchouc, puis le bouchon en caoutchouc de l'orifice de vidange situé au bas de l'appareil, et videz l'eau.

Vidange continue

Une vidange continue peut être utilisée pour éviter que l'alarme sonore de bac plein ne soit émise. Préparez un tuyau de vidange. Raccordez-le à l'orifice de vidange situé au milieu de l'unité et évacuez l'eau dans un seau ou un siphon de sol. L'unité peut également fonctionner correctement.

- Si vous prévoyez de laisser cet appareil inutilisé pendant une longue période, veuillez utiliser les deux orifices de vidange pour évacuer l'eau.
- Si l'eau condensée s'accumule rapidement et déclenche rapidement l'alarme de bac plein, le moteur à l'intérieur de la machine pourra être endommagé. Dans ce cas, veuillez contacter notre service après-vente sur www.emerio.eu/service

NETTOYAGE ET ENTRETIEN

- Avant le nettoyage, veuillez à débrancher l'appareil de la prise d'alimentation électrique.
- N'utilisez pas d'essence ou d'autres produits chimiques pour nettoyer l'appareil.
- Ne lavez pas l'appareil directement.

Filtre à air

Si le filtre à air est encrassé par la poussière / la saleté, nettoyez-le toutes les deux semaines.

- Retirez le filtre à air du bas de l'appareil.
- Nettoyer le filtre à air avec un détergent neutre dans de l'eau tiède (40 ° C) et faites-le sécher à l'ombre.
- Remplacez le filtre à air.

Nettoyage de la surface

Commencez par nettoyer la surface avec un détergent neutre et un chiffon humide, puis essuyez-la avec un chiffon sec.

GUIDE DE DÉPANNAGE

Problèmes	Causes possibles	Solutions
L'appareil ne démarre pas lorsque vous appuyez sur le bouton d'alimentation	L'indicateur de bac d'eau plein clignote, ce qui signifie que le bac est plein d'eau.	Retirez le bouchon de caoutchouc pour vider l'eau hors de la sortie de vidange.
	La température ambiante est inférieure à la température définie.	Réinitialisez la température.
L'appareil ne refroidit pas suffisamment	Les portes ou les fenêtres ne sont pas fermées.	Assurez-vous que toutes les fenêtres et les portes sont fermées.
	Il y a des sources de chaleur dans la pièce.	Éliminer les sources de chaleur si possible.
	Le tuyau d'évacuation d'air chaud n'est pas connecté ou est bloqué.	Connectez ou nettoyez le tuyau d'évacuation d'air chaud.
	Le réglage de la température est trop élevé.	Réinitialisez la température.
	L'entrée d'air est bloquée.	Nettoyez l'entrée d'air.
L'appareil est bruyant	Le sol n'est pas plat ou n'est pas assez plat.	Placez l'appareil sur une surface plane et horizontale, si possible.
	Le son provient de l'écoulement du réfrigérant à l'intérieur de l'appareil.	C'est normal.
Code E0	Le capteur de température ambiante ne fonctionne pas.	Remplacez le capteur de température ambiante. Contactez un technicien agréé pour la réparation.
Code E1	Le capteur de température du condensateur ne fonctionne pas.	Remplacez le capteur de température du condensateur. Contactez un technicien agréé pour la réparation.
Code E2	Le bac d'eau est plein lors de la climatisation	Enlevez le bouchon en caoutchouc et videz l'eau.
Code E3	Le capteur de température de l'évaporateur ne fonctionne pas.	Remplacez le capteur de température de l'évaporateur. Contactez un technicien agréé pour la réparation.
L'appareil arrête de refroidir après un cycle de fonctionnement de 50 minutes.	Lorsque la température ambiante de la pièce descend à 21°C ou moins pendant 50 minutes en mode refroidissement, l'appareil est arrêté pendant 5 minutes par le programme par défaut.	Aucune action n'est requise. Ceci permet d'éviter que les tuyaux de refroidissement internes en cuivre ne gèlent. L'appareil reprendra après 5 minutes et ce processus de cycle sera répété en continu.

DONNÉES TECHNIQUES

Remarque : Échelle de température de fonctionnement :

	Refroidissement maximum	Refroidissement minimum
Température de bulbe sec / Température de bulbe humide (°C)	35/24	18/12

Données ci-dessous pour votre référence

Modèle	PAC-127068.2
Tension nominale	220-240V
Fréquence nominale	50Hz
Entrée nominale	1345W
Courant nominal	6.0A
Capacité de refroidissement	3500W (12000Btu/h)
Élimination de l'humidité (Faible / Forte)	1.2
Flux d'air	320m ³ /h

INFORMATIONS ERP

	Valeur
Marque déposée	Emerio
Identification du modèle	PAC-127068.2
Puissance sonore (refroidissement)	≅ 65 dB(A)
Nom du fluide frigorigène	R290 (0,215 kg)
Puissance absorbée nominale pour le refroidissement (kW)	1,345
Taux d'efficacité énergétique nominal	2,6
PRP (kg CO ₂ eq)	3
Classe d'efficacité énergétique	A
Consommation d'énergie pour les appareils à double conduit (kWh / h)	N / A
Consommation d'énergie pour les appareils à conduit unique (kWh / h)	1,345
Consommation en mode thermostat désactivé (W)	N / A
Consommation électrique en mode veille (W)	0,5 W
Capacité de refroidissement	3500 W

Les fuites de réfrigérants contribuent au changement climatique. Les réfrigérants ayant un potentiel de réchauffement planétaire (PRP) inférieur contribueraient moins au réchauffement planétaire qu'un réfrigérant présentant un PRG supérieur, en cas de fuite dans l'atmosphère. Cet appareil contient un fluide frigorigène avec un PRP égal à 3. Cela signifie que si 1 kg de ce fluide frigorigène était rejeté dans l'atmosphère, l'impact sur le réchauffement planétaire serait 3 fois supérieur à 1 kg de CO₂ sur une période de 100 ans. N'essayez jamais d'interférer vous-même avec le circuit de fluide frigorigène ni de le démonter vous-même et faites toujours appel à un professionnel.

#Consommation d'énergie 1,345 kWh pour le modèle PAC-127068.2 en 60 minutes d'utilisation dans des conditions d'essai normalisées. La consommation d'énergie réelle dépend de la manière dont l'appareil est utilisé et de son emplacement.

Pour toute information complémentaire, veuillez contacter :

Emerio Switzerland AG
 Oberneuhofstrasse 1
 6340 Baar
 Switzerland

GARANTIE ET SERVICE APRÈS-VENTE

Nos appareils sont soumis à un contrôle de qualité strict avant d'être livrés. Si l'appareil a toutefois été endommagé lors de la production ou du transport en dépit des soins que nous lui donnons, retournez l'appareil au vendeur. En plus des droits juridiques, le client a la possibilité dans les limites de la garantie de déposer les réclamations suivantes:

Nous offrons une garantie de 2 ans pour l'appareil acheté à partir de la date de vente. En cas de produit défectueux, vous pouvez retourner directement au point de vente.

Les défauts dus à une utilisation non conforme de l'appareil et les dommages dus à une intervention ou réparation faite par une tierce personne ou dus à l'installation de pièces qui ne sont pas d'origine ne sont pas couverts par cette garantie. Conservez toujours votre reçu, car sans celui-ci vous ne pourrez réclamer aucune sorte de garantie. Les dommages causés par le non respect des instructions de ce manuel rendront la garantie caduque, nous déclinons toute responsabilité en cas de dommages indirects. Nous déclinons toute responsabilité en cas de dégâts matériels ou de dommages corporels causés par une utilisation inappropriée ou si les instructions de sécurité n'ont pas été convenablement observées. Si les accessoires sont endommagés, cela ne signifie pas que toute la machine sera remplacée gratuitement. Dans de tels cas, veuillez contacter notre assistance. Des pièces brisées en verre ou en plastique sont toujours sujettes à des frais. Les défauts des consommables ou des pièces susceptibles de s'user, ainsi que le nettoyage, l'entretien, réparation ou les frais d'expédition et de transport à destination et au départ de tout lieu de réparation. Desdites pièces ne sont pas couverts par la garantie et doivent donc être payés.

APPAREIL RESPECTUEUX DE L'ENVIRONNEMENT



Recyclage – Directive européenne 2012/19/EU

Ce symbole indique que le produit ne doit pas être jeté avec les ordures ménagères. Pour limiter les risques pour l'environnement et la santé entraînés par le rejet non contrôlé des déchets, recyclez ce

produit, utilisez les réseaux de collecte de votre région ou prenez contact avec le revendeur du produit. Ce dernier pourra vous aider à le recycler.



LA BATTERIE DOIT ÊTRE RECYCLÉE OU MISE AU REBUT D'UNE MANIÈRE APPROPRIÉE. NE

PAS OUVRIR. NE PAS JETER DANS UN FEU ET NE PAS COURT-CIRCUITER.

Emerio Switzerland AG
Oberneuhofstrasse 1
6340 Baar
Switzerland

INSTRUCTIONS POUR LA RÉPARATION DES APPAREILS CONTENANT DU R290

1. Réparation

1) Vérifications de la zone

Avant de commencer à travailler sur des systèmes contenant des frigorigènes inflammables, des contrôles de sécurité sont nécessaires pour réduire au minimum le risque d'inflammation. Pour réparer le système de réfrigération, les précautions suivantes doivent être respectées avant de procéder à des travaux sur le système.

2) Procédure de travail

Les travaux doivent être effectués selon une procédure contrôlée, de manière à minimiser le risque de présence de gaz ou de vapeurs inflammables pendant l'exécution des travaux.

3) Zone de travail général

Tout le personnel de maintenance et les autres personnes travaillant dans la zone concernée doivent être informés de la nature des travaux effectués. Les travaux dans des espaces confinés doivent être évités. La zone autour de l'espace de travail doit être divisée. Assurez-vous que les conditions dans la zone ont été sécurisées par le contrôle des matériaux inflammables.

4) Vérification de la présence de réfrigérant

La zone doit être vérifiée avec un détecteur de réfrigérant approprié avant et pendant le travail, afin de s'assurer que le technicien est conscient des atmosphères potentiellement inflammables. Assurez-vous que l'équipement de détection de fuite utilisé est adapté aux fluides frigorigènes inflammables, c'est-à-dire qu'il ne produit pas d'étincelles, qu'il est correctement scellé ou qu'il est intrinsèquement sûr.

5) Présence d'extincteur

Si des travaux à chaud doivent être effectués sur l'équipement de réfrigération ou sur toute pièce associée, un équipement d'extinction d'incendie approprié doit être à disposition. Installez un extincteur à poudre sèche ou à CO₂ à proximité de la zone de chargement.

6) Aucune source d'inflammation

Aucune personne effectuant des travaux en relation avec un système de réfrigération impliquant l'exposition de tuyauteries contenant ou ayant contenu un réfrigérant inflammable ne doit utiliser une source d'inflammation susceptible de provoquer un incendie ou une explosion. Toutes les sources d'inflammation possibles, y compris une cigarette allumée, doivent être suffisamment éloignées du lieu d'installation, de réparation, de retrait et d'élimination, pendant lesquelles un réfrigérant inflammable peut éventuellement être rejeté dans l'espace environnant. Avant le début des travaux, la zone autour de l'équipement doit être inspectée pour s'assurer qu'il n'y a pas de danger d'inflammabilité ou de risque d'inflammation. Des panneaux «Interdiction de fumer» doivent être affichés.

7) Zone ventilée

Assurez-vous que la zone est à l'air libre ou qu'elle est correctement ventilée avant de pénétrer dans le système ou d'effectuer des travaux à chaud. Une certaine ventilation doit être maintenue pendant la durée des travaux. La ventilation doit disperser en toute sécurité tout fluide réfrigérant libéré et de préférence l'expulser vers l'extérieur dans l'atmosphère.

8) Contrôles de l'équipement de réfrigération

Lorsque des composants électriques sont remplacés, ils doivent être adaptés à l'usage prévu et aux spécifications appropriées. Les directives du fabricant en matière de maintenance et d'entretien doivent être suivies à tout moment. En cas de doute, consultez le service technique du fabricant.

Les contrôles suivants doivent être appliqués aux installations utilisant des réfrigérants inflammables :

- La taille de la charge est conforme à la taille de la pièce dans laquelle les pièces contenant le réfrigérant sont installées ;
- Les machines de ventilation et les sorties d'air fonctionnent correctement et ne sont pas obstrués;
- Si un circuit de réfrigération indirect est utilisé, le circuit secondaire doit être vérifié pour la présence de réfrigérant ;
- Le marquage sur l'équipement continue d'être visible et lisible. Les marques et signes illisibles doivent être corrigés ;

- Les tuyaux ou composants de réfrigération sont installés dans une position où ils ne risquent pas d'être exposés à une substance susceptible de corroder les composants contenant du fluide frigorigène, à moins que les composants ne soient construits avec des matériaux présentant une résistance inhérente à la corrosion ou une protection adéquate contre la corrosion.

9) Contrôles des appareils électriques

La réparation et la maintenance des composants électriques doivent inclure les contrôles de sécurité initiaux et les procédures d'inspection des composants. S'il existe un défaut susceptible de compromettre la sécurité, aucune alimentation électrique ne doit être connectée au circuit jusqu'à ce que le problème soit résolu de manière satisfaisante. Si le défaut ne peut pas être corrigé immédiatement mais qu'il est nécessaire de poursuivre le fonctionnement, une solution temporaire adéquate doit être utilisée. Cela doit être signalé au propriétaire de l'équipement afin que toutes les parties soient informées. Les contrôles de sécurité initiaux doivent inclure :

- que les condensateurs soient déchargés : cela doit être fait de manière sûre pour éviter toute possibilité d'étincelle ;
- qu'il n'y a pas de composants électriques et de câbles sous tension qui soient exposés lors du chargement, de la récupération ou de la purge du système ;
- Qu'il existe une continuité de la mise à la terre.

2. Réparations des composants scellés

- 1) Pendant les réparations des composants scellés, toutes les alimentations électriques doivent être débranchées de l'équipement utilisé avant l'enlèvement des couvercles scellés, etc. S'il est absolument nécessaire d'avoir une alimentation électrique de l'équipement pendant la procédure d'entretien, un système permanent de détection de fuite doit être situé au point le plus critique pour avertir d'une situation potentiellement dangereuse.
- 2) Une attention particulière doit être portée aux points suivants afin de garantir que le travail sur les composants électriques ne modifie pas le boîtier de manière à ne pas nuire à la protection. Cela inclut les dommages sur les câbles, le nombre excessif de connexions, les bornes non conformes aux spécifications d'origine, les dommages sur les joints d'étanchéité, le mauvais montage des presse-étoupes, etc.

Assurez-vous que l'appareil est bien monté. Assurez-vous que les joints ou les matériaux d'étanchéité ne sont pas dégradés de telle sorte qu'ils ne servent plus à empêcher la pénétration d'atmosphères inflammables. Les pièces de rechange doivent être conformes aux spécifications du fabricant.

REMARQUE : L'utilisation d'un produit d'étanchéité à base de silicone peut nuire à l'efficacité de certains types d'équipement de détection de fuites. Les composants de sécurité intrinsèque ne doivent pas nécessairement être isolés avant de travailler dessus.

3. Réparation des composants à sécurité intrinsèque

N'appliquez pas de charges inductives ou capacitatives permanentes sur le circuit sans vous assurer que cela ne dépassera pas la tension et le courant admissibles pour l'équipement utilisé. Les composants à sécurité intrinsèque sont les seuls types sur lesquels on peut travailler tout en étant dans une atmosphère inflammable. L'appareil d'essai doit avoir les spécifications correctes. Remplacez les composants uniquement par des pièces spécifiées par le fabricant. D'autres pièces peuvent provoquer l'inflammation du réfrigérant dans l'atmosphère par une fuite.

4. Câblage

Vérifiez que le câblage ne sera pas soumis à l'usure, à la corrosion, à une pression excessive, aux vibrations, aux arêtes vives ou à tout autre effet nuisible. Le contrôle doit également prendre en compte les effets du vieillissement ou des vibrations continues provenant de sources telles que les compresseurs ou les ventilateurs.

5. Détection de réfrigérants inflammables

En aucun cas, des sources d'inflammation potentielles ne doivent être utilisées pour rechercher ou détecter des fuites de réfrigérant. Une torche aux halogénures (ou tout autre détecteur utilisant une flamme nue) ne doit pas être utilisée.

6. Méthodes de détection de fuite

Les méthodes de détection des fuites suivantes sont jugées acceptables pour les systèmes contenant des frigorigènes inflammables.

Des détecteurs de fuites électroniques doivent être utilisés pour détecter les réfrigérants inflammables, mais la sensibilité peut ne pas être adéquate ou nécessiter un réétalonnage. (L'équipement de détection doit être étalonné dans une zone sans réfrigérant). Assurez-vous que le détecteur n'est pas une source potentielle d'inflammation et qu'il convient au réfrigérant utilisé. L'équipement de détection des fuites doit être réglé sur un pourcentage de la LF du réfrigérant et doit être étalonné sur le réfrigérant utilisé et le pourcentage de gaz approprié (25% maximum) confirmé. Les fluides de détection des fuites peuvent être utilisés avec la plupart des réfrigérants, mais l'utilisation de détergents contenant du chlore doit être évitée car le chlore peut réagir avec le réfrigérant et corroder les conduites en cuivre. Si une fuite est suspectée, toutes les flammes nues doivent être retirées / éteintes. Si une fuite de réfrigérant nécessitant un brasage est détectée, tout le réfrigérant doit être récupéré du système ou isolé (au moyen de vannes d'arrêt) dans une partie du système éloignée de la fuite. L'azote exempt d'oxygène (OFN) doit ensuite être purgé à travers le système avant et pendant le processus de brasage.

7. Retrait et évacuation

Lorsque vous accédez au circuit de fluide frigorigène pour effectuer des réparations - ou à toute autre fin - utilisez les procédures classiques. Cependant, il est important que les meilleures pratiques soient suivies car l'inflammabilité est dangereuse. La procédure suivante doit être respectée :

- Retirez le réfrigérant ;
- Purgez le circuit avec un gaz inerte ;
- Évacuez ;
- Purgez à nouveau avec un gaz inerte ;
- Ouvrez le circuit en coupant ou en brasant.

La charge de réfrigérant doit être récupérée dans les bouteilles de récupération adaptées. Le système doit être « vidé » avec de l'azote sans oxygène pour rendre l'unité sûre. Ce processus peut avoir besoin d'être répété plusieurs fois. L'air comprimé ou l'oxygène ne doit pas être utilisé pour cette tâche. Le rinçage doit être réalisé en rompant le vide dans le système avec de l'azote sans oxygène et en continuant à le verser jusqu'à atteindre la pression de fonctionnement, puis en le relâchant dans l'atmosphère et en le tirant finalement vers le vide. Ce processus doit être répété jusqu'à ce qu'il n'y ait plus de réfrigérant dans le système. Lorsque la dernière charge d'azote sans oxygène est utilisée, le système doit être purgé à la pression atmosphérique pour permettre le travail. Cette opération est absolument essentielle pour que des opérations de brasage sur la tuyauterie aient lieu. Assurez-vous que la sortie de la pompe à vide ne se trouve pas à proximité de sources d'inflammation et qu'il existe une ventilation.

8. Procédures de charge

En plus des procédures de charge conventionnelles, les exigences suivantes doivent être suivies.

- Assurez-vous que les différents réfrigérants ne soient pas contaminés lors de l'utilisation d'un équipement de charge. Les tuyaux ou les conduites doivent être aussi courts que possible pour minimiser la quantité de réfrigérant qu'ils contiennent.
- Les bouteilles doivent être maintenues verticales.
- Assurez-vous que le système de réfrigération est mis à la terre avant de le charger en réfrigérant.

- Étiquetez le système lorsque le chargement est terminé (si ce n'est déjà fait).
- Un soin extrême doit être pris pour ne pas trop remplir le système de réfrigération.

Avant de recharger le système, il doit être testé sous pression avec de l'azote sans oxygène. Le système doit être soumis à un test d'étanchéité à la fin du chargement mais avant la mise en service. Un contrôle d'étanchéité doit être effectué avant de quitter le site.

9. Mise hors service

Avant d'effectuer cette procédure, il est essentiel que le technicien connaisse parfaitement l'équipement et tous ses détails. Il est recommandé, conformément aux bonnes pratiques, de récupérer tous les réfrigérants en toute sécurité. Avant l'exécution de la tâche, un échantillon d'huile et de fluide frigorigène doit être prélevé au cas où une analyse serait nécessaire avant la réutilisation du fluide frigorigène récupéré. Il est essentiel que l'alimentation électrique soit disponible avant le début de la tâche.

- a) Familiarisez-vous avec l'équipement et son fonctionnement.
- b) Isolez le système électriquement.
- c) Avant de tenter la procédure, assurez-vous que :
 - Un équipement de manutention mécanique est disponible, si nécessaire pour la manipulation des bouteilles de réfrigérant ;
 - Tous les équipements de protection individuelle sont disponibles et utilisés correctement.
 - Le processus de récupération est supervisé à tout moment par une personne compétente.
 - L'équipement de récupération et les bouteilles sont conformes aux normes appropriées.
- d) Pompez le système de réfrigérant, si possible.
- e) Si faire le vide n'est pas possible, créez un collecteur de sorte que le réfrigérant puisse être éliminé de différentes parties du système.
- f) Assurez-vous que la bouteille est située sur la balance avant la récupération.
- g) Démarrez la machine de récupération et opérez conformément aux instructions du fabricant.
- h) Ne remplissez pas trop les bouteilles. (Pas plus de 80% du volume de charge liquide).
- i) Ne dépassez pas la pression maximale de service de la bouteille, même temporairement.
- j) Lorsque les bouteilles ont été remplies correctement et que le processus est terminé, assurez-vous que les bouteilles et l'équipement sont retirés du site rapidement et que toutes les vannes d'isolement de l'équipement sont fermées.
- k) Le réfrigérant récupéré ne doit être chargé dans un autre système de réfrigération que s'il a été nettoyé et vérifié.

10. Étiquetage

L'équipement doit porter une étiquette indiquant qu'il a été mis hors service et vidé du réfrigérant. L'étiquette doit être datée et signée. Assurez-vous que l'équipement contient des étiquettes indiquant que celui-ci contient du réfrigérant inflammable.

11. Récupération

Lorsque vous retirez du fluide frigorigène d'un système, que ce soit pour un entretien ou une mise hors service, il est recommandé de retirer tous les réfrigérants de manière sûre. Lors du transfert de réfrigérant dans des bouteilles, veillez à n'utiliser que des bouteilles de récupération de réfrigérant appropriées. Assurez-vous que le nombre correct de bouteilles permettant de contenir la charge totale du système est disponible. Toutes les bouteilles à utiliser sont désignées pour le réfrigérant récupéré et étiquetées pour ce réfrigérant (c'est-à-dire des bouteilles spéciales pour la récupération du réfrigérant). Les bouteilles doivent être équipées d'une soupape de surpression et des vannes d'arrêt associées en bon état de fonctionnement. Les bouteilles de récupération vides sont évacuées et, si possible, refroidies avant la récupération. L'équipement de récupération doit être en bon état de fonctionnement, avec un ensemble d'instructions concernant

l'équipement disponible et doit être adapté à la récupération des réfrigérants inflammables. En outre, un jeu de balances étalonnées doit être disponible et en bon état de fonctionnement. Les flexibles doivent être complets avec des raccords débranchés sans fuite et en bon état. Avant d'utiliser la machine de récupération, assurez-vous qu'elle est en bon état de fonctionnement, correctement entretenue et que tous les composants électriques associés sont scellés pour éviter toute inflammation en cas de libération de réfrigérant. Consultez le fabricant en cas de doute. Le fluide frigorigène récupéré doit être renvoyé au fournisseur de fluide frigorigène dans la bouteille de récupération appropriée, et le billet de transfert de déchets correspondant doit être préparé. Ne mélangez pas les réfrigérants dans les unités de récupération et surtout pas dans les bouteilles. Si les compresseurs ou leurs huiles doivent être éliminés, assurez-vous qu'ils ont été évacués à un niveau acceptable pour vous assurer que le réfrigérant inflammable ne reste pas dans le lubrifiant. Le processus d'évacuation doit être effectué avant de retourner le compresseur aux fournisseurs. Seul un chauffage électrique du boîtier du compresseur doit être utilisé pour accélérer ce processus. Lorsque l'huile est évacuée d'un système, elle doit être effectuée en toute sécurité.

Compétence du personnel de service

Général

Une formation spéciale, en plus des procédures de réparation habituelles des équipements frigorifiques, est nécessaire lorsqu'un équipement contenant des réfrigérants inflammables est affecté.

Dans de nombreux pays, cette formation est assurée par des organismes d'entraînement nationaux accrédités pour enseigner les normes de compétences nationales pertinentes pouvant être définies dans la législation.

Les compétences acquises doivent être documentées par un certificat.

Formation

La formation doit inclure les éléments suivants :

Des informations sur le potentiel d'explosion des réfrigérants inflammables pour montrer que les produits inflammables peuvent être dangereux lorsqu'ils sont manipulés sans précaution.

Des informations sur les sources d'inflammation potentielles, en particulier celles qui ne sont pas évidentes, telles que briquets, interrupteurs d'éclairage, aspirateurs, radiateurs électriques.

Des informations sur les différents concepts de sécurité:

Non ventilé - La sécurité de l'appareil ne dépend pas de la ventilation du boîtier. La mise hors tension de l'appareil ou l'ouverture du boîtier n'a pas d'incidence significative sur la sécurité. Néanmoins, il est possible que du réfrigérant qui s'échappe s'accumule à l'intérieur du boîtier et une atmosphère inflammable se dégage à l'ouverture du boîtier.

Boîtier ventilé - La sécurité de l'appareil dépend de la ventilation du boîtier. La mise hors tension de l'appareil ou l'ouverture du boîtier ont un impact significatif sur la sécurité. Des précautions doivent être prises pour assurer une ventilation suffisante au préalable.

Pièce ventilée - La sécurité de l'appareil dépend de la ventilation de la pièce. La mise hors tension de l'appareil ou l'ouverture du boîtier n'a pas d'incidence significative sur la sécurité. La ventilation de la pièce ne doit pas être arrêtée pendant les procédures de réparation.

Informations sur le concept de composants et d'enceintes étanches selon IEC 60079-15: 2010.

Des informations sur les procédures de travail correctes :

a) Mise en service

- Assurez-vous que la surface au sol est suffisante pour la charge de réfrigérant ou que le tuyau de ventilation est correctement assemblé.
- Raccordez les tuyaux et effectuez un test d'étanchéité avant de charger du réfrigérant.
- Vérifiez les équipements de sécurité avant la mise en service.

b) Maintenance

- Les équipements portables doivent être réparés à l'extérieur ou dans un atelier spécialement équipé pour manipuler les unités avec des réfrigérants inflammables.

- Assurez une ventilation suffisante sur le lieu de réparation.
- Sachez qu'un dysfonctionnement de l'équipement peut être causé par une perte de réfrigérant et qu'une fuite de réfrigérant est possible.
- Déchargez les condensateurs de manière à ne causer aucune étincelle. La procédure standard pour court-circuiter les bornes du condensateur crée généralement des étincelles.
- Remontez les boîtiers scellés avec précision. Si les joints sont usés, remplacez-les.
- Vérifiez les équipements de sécurité avant la mise en service.

c) Réparations

- Les équipements portables doivent être réparés à l'extérieur ou dans un atelier spécialement équipé pour manipuler les unités avec des réfrigérants inflammables.
- Assurez une ventilation suffisante sur le lieu de réparation.
- Sachez qu'un dysfonctionnement de l'équipement peut être causé par une perte de réfrigérant et qu'une fuite de réfrigérant est possible.
- Déchargez les condensateurs de manière à ne causer aucune étincelle.
- Lorsqu'un brasage est requis, les procédures suivantes doivent être effectuées dans le bon ordre :
 - Retirez le fluide frigorigène. Si la récupération n'est pas exigée par les réglementations nationales, vidangez le réfrigérant vers l'extérieur. Veillez à ce que le réfrigérant drainé ne présente aucun danger. En cas de doute, une personne doit observer la sortie. Veillez à ce que le réfrigérant drainé ne retourne pas dans le bâtiment.
 - Évacuez le circuit frigorifique.
 - Purgez le circuit de réfrigérant à l'azote pendant 5 minutes.
 - Évacuez à nouveau.
 - Enlevez les pièces à remplacer en les coupant et non en les enflammant.
 - Purgez le point de brasage à l'azote pendant le processus de brasage.
 - Effectuez un test d'étanchéité avant de charger du réfrigérant.
- Remontez les boîtiers scellés avec précision. Si les joints sont usés, remplacez-les.
- Vérifiez les équipements de sécurité avant la mise en service.

d) Mise hors service

- Si la sécurité est affectée lorsque l'équipement est mis hors service, la charge de réfrigérant doit être retirée avant la mise hors service.
- Assurez une ventilation suffisante à l'emplacement de l'équipement.
- Sachez qu'un dysfonctionnement de l'équipement peut être causé par une perte de réfrigérant et qu'une fuite de réfrigérant est possible.
- Déchargez les condensateurs de manière à ne causer aucune étincelle.
- Retirez le fluide frigorigène. Si la récupération n'est pas exigée par les réglementations nationales, vidangez le réfrigérant vers l'extérieur. Veillez à ce que le réfrigérant drainé ne présente aucun danger. En cas de doute, une personne doit observer la sortie. Veillez à ce que le réfrigérant drainé ne retourne pas dans le bâtiment.
- Évacuez le circuit frigorifique.
- Purgez le circuit de réfrigérant à l'azote pendant 5 minutes.
- Évacuez à nouveau.
- Versez l'azote jusqu'à la pression atmosphérique.
- Placez une étiquette sur l'équipement indiquant que le réfrigérant est retiré.

e) Mise au rebut

- Assurez une ventilation suffisante sur le lieu de travail.
- Retirez le fluide frigorigène. Si la récupération n'est pas exigée par les réglementations nationales, vidangez le réfrigérant vers l'extérieur. Veillez à ce que le réfrigérant drainé ne présente aucun danger. En cas de doute, une personne doit observer la sortie. Veillez à ce que le réfrigérant drainé ne retourne pas dans le bâtiment.
- Évacuez le circuit frigorifique.

- Purgez le circuit de réfrigérant à l'azote pendant 5 minutes.
- Évacuez à nouveau.
- Découpez le compresseur et vidangez l'huile.

Transport, marquage et stockage pour les unités utilisant des réfrigérants inflammables

Transport d'équipements contenant des frigorigènes inflammables

L'attention est attirée sur le fait que des réglementations supplémentaires en matière de transport peuvent exister pour les équipements contenant des gaz inflammables. Le nombre maximal d'équipements ou la configuration des équipements pouvant être transportés ensemble sera déterminé par les réglementations de transport applicables.

Marquage de l'équipement à l'aide de panneaux

Les panneaux relatifs à des appareils similaires utilisés dans une zone de travail sont généralement régies par les réglementations locales et définissent les exigences minimales en matière de signalisation de sécurité et / ou de santé pour un lieu de travail .

Tous les panneaux requis doivent être entretenus et les employeurs doivent veiller à ce que les employés reçoivent des instructions et une formation appropriées et suffisantes sur la signification des panneaux de sécurité appropriés et sur les mesures à prendre en relation avec ces panneaux.

L'efficacité des panneaux ne doit pas être diminuée par un trop grand nombre de panneaux placés ensemble.

Tous les pictogrammes utilisés doivent être aussi simples que possible et ne contenir que des détails essentiels.

Mise au rebut des équipements utilisant des réfrigérants inflammables

Reportez-vous aux réglementations nationales.

Rangement des équipements / appareils

Le stockage de l'équipement doit être conforme aux instructions du fabricant.

Stockage du matériel emballé (invendu)

La protection de l'emballage de stockage doit être conçue de manière à ce que les dommages mécaniques causés à l'équipement à l'intérieur de l'emballage ne provoquent pas une fuite de la charge de réfrigérant.

Le nombre maximal d'équipements pouvant être stockés ensemble sera déterminé par la réglementation locale.

ISTRUZIONI DI SICUREZZA

Prima dell'uso, accertarsi di aver letto tutte le istruzioni riportate di seguito per evitare lesioni o danni e ottenere i migliori risultati dall'apparecchio. Conservare questo manuale in un luogo sicuro. In caso di passaggio di proprietà dell'apparecchio, includere anche questo manuale di istruzioni.

In caso di danni causati dal mancato rispetto delle istruzioni riportate in questo manuale, la garanzia sarà annullata. Il costruttore/importatore declina ogni responsabilità per danni causati dal mancato rispetto del manuale o da un uso negligente o non conforme con i requisiti riportati in questo manuale.

1. Leggere e conservare queste istruzioni. Attenzione! Le immagini contenute nel manuale sono esclusivamente a scopo di riferimento.
2. Questo dispositivo può essere utilizzato da bambini dagli 8 anni in su e da persone con ridotte capacità fisiche, sensoriali o mentali o che non abbiano la necessaria esperienza e conoscenza se hanno ricevuto adeguate istruzioni per utilizzare il dispositivo in maniera sicura e hanno compreso i rischi impliciti.
3. I bambini non devono giocare con il dispositivo.
4. La pulizia e la manutenzione da parte dell'utente non deve essere effettuata da bambini senza supervisione.
5. Se il cavo di alimentazione è danneggiato, farlo sostituire dal produttore, dal servizio assistenza o personale qualificato per evitare pericoli.
6. Per il solo uso in interni.
7. Non usare l'apparecchio in locali lavanderia, in prossimità di fonti di fiamme, in luoghi soggetti al rischio di schizzi d'olio, esposto alla luce solare diretta, in luoghi soggetti al rischio di schizzi d'acqua, in prossimità di vasche da bagno, docce o piscine.
8. Non inserire alcun oggetto nell'apertura di uscita dell'aria. Assicurarsi di avvertire i bambini di questi pericoli.

9. Mantenere l'apparecchio in posizione verticale durante il trasporto e la conservazione per assicurare il corretto posizionamento del compressore.
10. Spegnerne l'apparecchio e scollegarlo dalla presa di corrente prima di pulirlo o spostarlo.
11. Per evitare il rischio di incendio, non coprire l'apparecchio.
12. La presa di corrente che alimenta l'apparecchio deve essere conforme ai requisiti di materia di sicurezza elettrica in vigore. Se necessario, informarsi sui requisiti.
13. L'apparecchio deve essere installato conformemente alle normative elettriche in vigore.
14. Specifiche dei fusibili: T, 250 V CC, 2 A o 3,15 A.
15. Contattare un tecnico autorizzato per la riparazione o la manutenzione dell'apparecchio.
16. Non tirare, deformare o modificare il cavo di alimentazione e non immergerlo nell'acqua. La manipolazione e l'uso impropri del cavo di alimentazione comportano il rischio di scossa elettrica e danni all'apparecchio.
17. Assicurare la conformità alle normative nazionali in materia di gas.
18. Le operazioni di riparazione devono essere effettuate come raccomandato dal costruttore dell'apparecchio. Le operazioni di manutenzione e riparazione che richiedono l'assistenza di altro personale specializzato devono essere effettuate sotto la supervisione di una persona competente in materia di refrigeranti infiammabili.
19. Non avviare o arrestare l'apparecchio collegando o scollegando il cavo di alimentazione per evitare il rischio di scossa elettrica o incendio dovuti al surriscaldamento.
20. Scollegare l'apparecchio dalla presa di corrente se emette fumo, rumori o odori anomali.
21. Collegare l'apparecchio a una presa di corrente dotata di messa a terra.
22. Se l'apparecchio subisce danni, arrestarlo, scollegarlo dalla presa di corrente e contattare un centro di assistenza autorizzato per la riparazione.

23. Non utilizzare modalità di pulizia o accelerazione del processo di sbrinamento diverse da quelli raccomandate dal costruttore.
24. Questo apparecchio deve essere conservato in un locale privo di fonti di accensione in modalità di funzionamento continuo (ad esempio: fiamme nude, apparecchi a gas in funzione, radiatori elettrici in funzione).
25. Non forare o bruciare l'apparecchio.
26. I refrigeranti possono essere inodore.
27. Questo apparecchio contiene gas refrigerante R290. L'R290 è un gas refrigerante conforme alle direttive europee sull'ambiente. Non forare alcuna parte del circuito Non disassemblare alcuna parte del circuito refrigerante.
28. Se l'apparecchio è installato, utilizzato o conservato in un'area non ventilata, la stanza deve essere progettata per evitare l'accumulo di perdite di refrigerante. La presenza di radiatori elettrici, fornelli o altre fonti di ignizione possono incendiare il refrigerante.
29. L'apparecchio deve essere conservato in modo tale da evitare danni meccanici.
30. Chiunque acceda o intervenga sul circuito del refrigerante deve essere in possesso di un certificato rilasciato da un'autorità accreditata del settore che ne attesta la competenza in materia di trattamento sicuro dei refrigeranti in conformità con le specifiche riconosciute del settore di riferimento.
31. Le riparazioni devono essere effettuate conformemente alle raccomandazioni del costruttore. Le operazioni di manutenzione e riparazione che richiedono l'assistenza di altro personale specializzato devono essere effettuate sotto la supervisione di una persona competente in materia di refrigeranti infiammabili.
32. Dopo aver spostato l'apparecchio da un locale all'altro, attendere sempre almeno 2 ore prima di avviarlo.
33. Per le istruzioni relative alla riparazione di apparecchi contenenti R290, consultare i seguenti paragrafi del manuale.



Attenzione: rischio di incendio/materiali infiammabili.



Leggere il manuale di istruzioni.



Manuale dell'operatore; istruzioni di funzionamento.



Indicatore di assistenza; leggere il manuale tecnico.

Attenzione: non ostruire le aperture di ventilazione.

Attenzione: riporre l'apparecchio in un locale ben ventilato le cui dimensioni devono corrispondere all'area di funzionamento specificata.

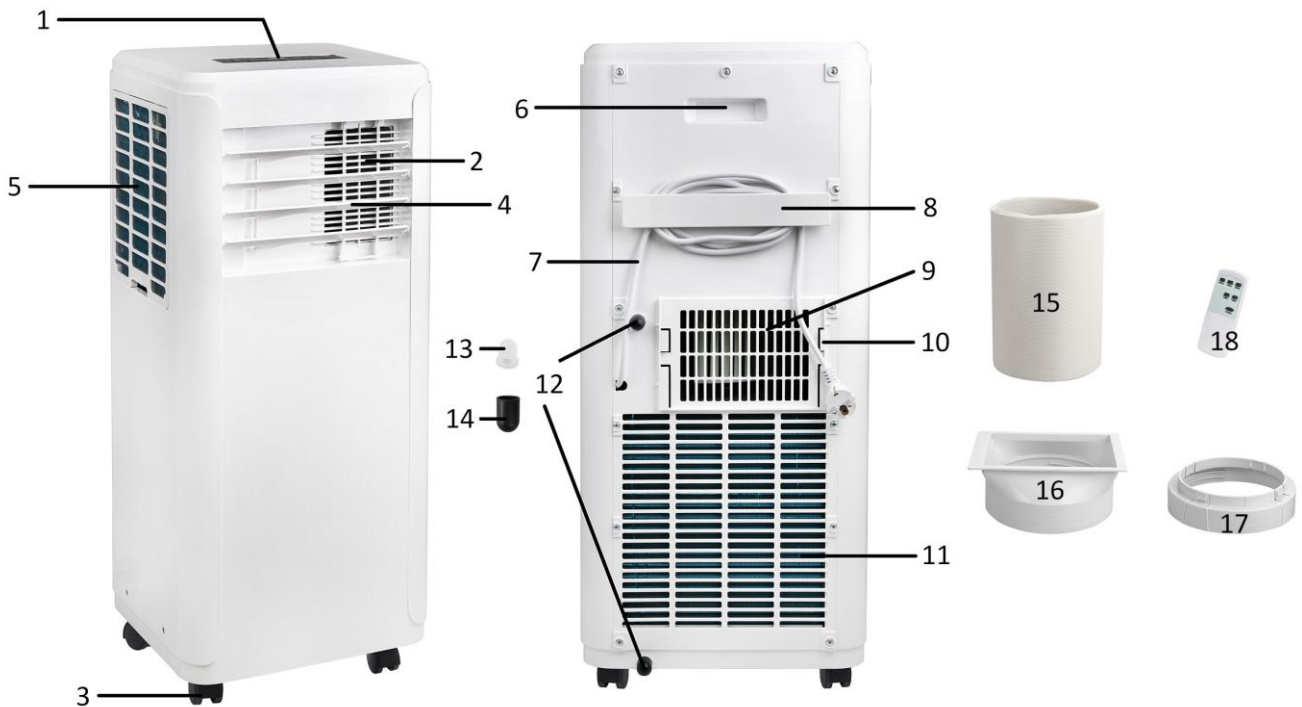
Qualsiasi operazione sui dispositivi di sicurezza deve essere effettuata esclusivamente da un tecnico qualificato.

Lo spazio libero intorno all'unità deve essere di almeno 30 cm.

L'apparecchio deve essere installato, utilizzato e riposto in un locale con una superficie maggiore di X m².

MODELLO	X (m ²)	Modello
5000Btu/h,7000Btu/h, 8000Btu/h	4	-
9000Btu/h,10000Btu/h, 10500Btu/h	12	-
12000Btu/h,14000Btu/h, 16000Btu/h,18000Btu/h	15	PAC-127068.2

DESCRIZIONE DEI COMPONENTI

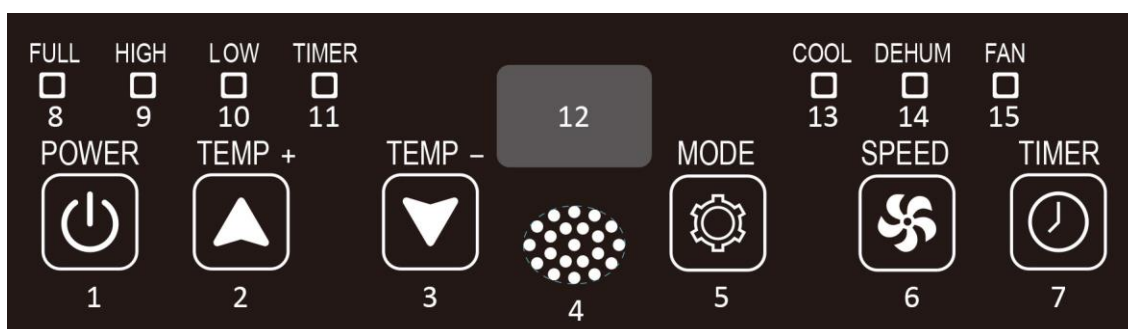


- | | |
|--|---|
| 1. Pannello di controllo | 10. Staffa per il connettore del tubo (lato condizionatore) |
| 2. Apertura di uscita dell'aria | 11. Apertura di ingresso dell'aria |
| 3. Ruota | 12. Porta di drenaggio |
| 4. Aletta di controllo della direzione verticale del flusso d'aria | 13. Tappo in gomma per la porta di drenaggio |
| 5. Filtro dell'aria | 14. Cappuccio in gomma |
| 6. Impugnatura | 15. Tubo di scarico dell'aria calda |
| 7. Cavo di alimentazione | 16. Connettore del tubo (lato condizionatore) |
| 8. Vano porta-cavo | 17. Connettore del tubo (lato finestra) |
| 9. Uscita di scarico dell'aria calda | 18. Telecomando |

Telecomando

L'apparecchio include un telecomando. È necessario installare due batterie AAA da 1,5 V. Le funzioni dei pulsanti sul telecomando sono identiche alle funzioni dei pulsanti sul pannello di controllo.

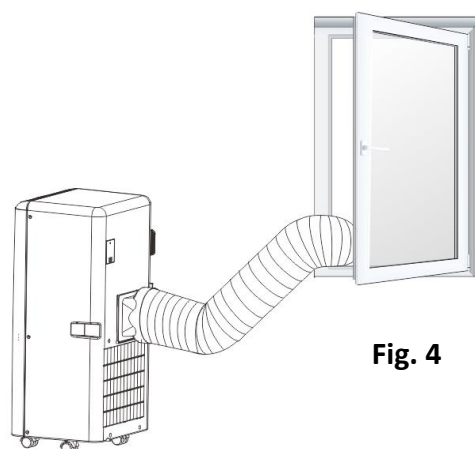
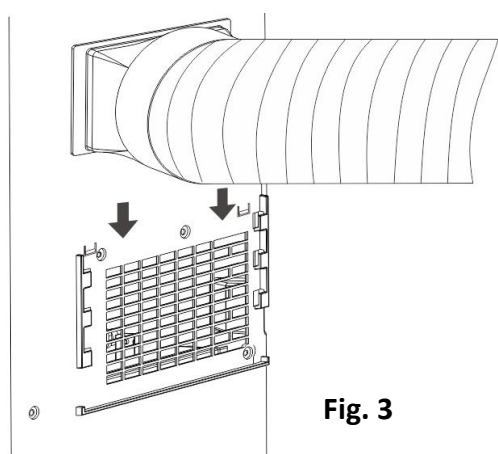
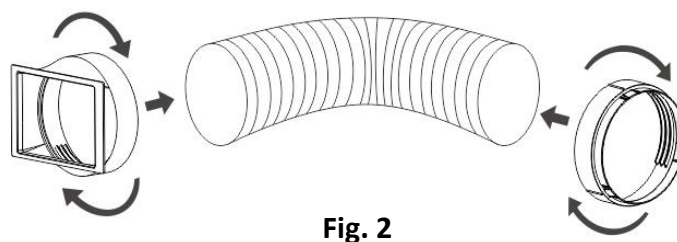
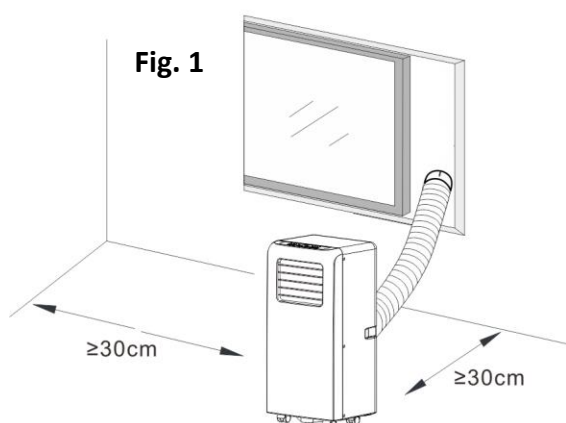
Pannello di controllo



1. Pulsante di accensione/spegnimento
2. Pulsante di aumento della temperatura/del timer
3. Pulsante di diminuzione della temperatura/del timer
4. Ricevitore del segnale del telecomando
5. Pulsante della modalità
6. Pulsante della velocità della ventola
7. Pulsante del timer
8. Indicatore del serbatoio pieno
9. Indicatore della ventola ad alta velocità
10. Indicatore della ventola a bassa velocità
11. Indicatore del timer
12. Display digitale
13. Indicatore della modalità Raffrescamento
14. Indicatore della modalità Deumidificazione
15. Indicatore della modalità Ventilazione

INSTALLAZIONE (Le figure riportate di seguito sono a scopo di riferimento. L'aspetto dell'apparecchio acquistato può differire.)

- L'apparecchio deve essere installato su una superficie piana, in una posizione che eviti l'ostruzione delle aperture di uscita dell'aria. Mantenere uno spazio libero di almeno 30 cm intorno all'apparecchio (**Fig. 1**).
- L'apparecchio non deve essere installato in locali lavanderia.
- Fissare i due connettori del tubo al tubo di scarico dell'aria calda ruotandoli (**Fig. 2**).
- Inserire il connettore del tubo (lato condizionatore) nelle staffe sulla parte posteriore dell'apparecchio (**Fig. 3**).
- Inserire l'altra estremità del tubo di scarico dell'aria attraverso la finestra (**Fig. 4**).



UTILIZZO

Dopo aver spostato l'apparecchio da un locale all'altro, attendere sempre almeno 2 ore prima di avviarlo. Prima dell'uso, verificare che il tubo di scarico dell'aria sia installato correttamente. Collegare l'apparecchio alla presa di corrente.

1. Pulsante di accensione/spegnimento

Premere il pulsante "POWER" per accendere l'apparecchio. L'apparecchio si avvierà in modalità Raffrescamento con la ventola a bassa velocità. Premere nuovamente il pulsante per spegnere l'apparecchio.

2. Pulsanti di aumento e diminuzione della temperatura/del timer

Premere il pulsante "TEMP+" o "TEMP-" per impostare la temperatura ambientale desiderata tra 16°C e 31 °C. I pulsanti possono essere usati anche per impostare il timer tra 1 e 24 ore. I valori aumenteranno/diminuiranno di 1 (°C/ora) a ogni pressione. Tenere premuti i pulsanti per scorrere rapidamente le cifre.

Nota: il compressore (in modalità Raffrescamento) si arresterà automaticamente quando la temperatura ambientale raggiunge la temperatura impostata. Il compressore si riavvierà automaticamente quando la temperatura ambientale supera la temperatura impostata. La ventola interna rimarrà in funzione. Quando il compressore è in funzione, l'apparecchio vibra leggermente. È un fenomeno normale che non ha alcuna conseguenza.

3. Pulsante della velocità della ventola

Premere il pulsante "SPEED" per selezionare la velocità del flusso d'aria tra bassa e alta. L'indicatore corrispondente alla velocità selezionata si accenderà ("LOW" = bassa velocità, "HIGH" = alta velocità).

4. Pulsante della modalità

Premere il pulsante "MODE" per impostare la modalità di funzionamento tra Raffrescamento, Deumidificazione e Ventilazione.

- In modalità Raffrescamento si accenderà l'indicatore "COOL". Premere il pulsante "TEMP+" o "TEMP-" per impostare la temperatura ambientale desiderata. Premere il pulsante "SPEED" per impostare la velocità del flusso d'aria.
- In modalità Deumidificazione si accenderà l'indicatore "DEHUM". L'apparecchio imposterà automaticamente la temperatura a 2°C in meno rispetto alla temperatura ambientale e funzionerà con la ventola a bassa velocità. In questa modalità, la temperatura e la velocità della ventola non possono essere regolate.
- In modalità Ventilazione si accenderà l'indicatore "FAN". Premere il pulsante "SPEED" per selezionare la velocità del flusso d'aria tra bassa e alta. Nota: questa modalità non rileva la temperatura; il valore visualizzato sul display non ha alcun significato.

5. Pulsante del timer

Timer di accensione

- Quando l'apparecchio non è in funzione, premere il pulsante "TIMER". L'indicatore "TIMER" lampeggerà.
- Premere il pulsante "TEMP+" o "TEMP-" per impostare l'intervallo di accensione tra 1 e 24 ore. Le cifre dell'intervallo di accensione lampeggeranno sul display. Premere nuovamente il pulsante "TIMER" (quando è ancora lampeggiante) per confermare l'intervallo.
- L'apparecchio si accenderà automaticamente allo scadere dell'intervallo impostato.

Timer di spegnimento

- Quando l'apparecchio è in funzione, premere il pulsante "TIMER". L'indicatore "TIMER" lampeggerà.
- Premere il pulsante "TEMP+" o "TEMP-" per impostare l'intervallo di spegnimento tra 1 e 24 ore. Le cifre dell'intervallo di spegnimento lampeggeranno sul display. Premere nuovamente il pulsante "TIMER" (quando è ancora lampeggiante) per confermare l'intervallo.
- L'apparecchio si spegnerà automaticamente allo scadere dell'intervallo impostato.

Nota: dopo aver impostato il timer, sul display apparirà il conto alla rovescia in ore. Premere nuovamente il pulsante "TIMER" per annullare il timer.

NOTA: spegnendo l'apparecchio senza scollegarlo dalla presa di corrente, l'ultima modalità selezionata verrà memorizzata. Se l'apparecchio viene scollegato dalla presa di corrente, alla successiva riaccensione si avvierà in modalità Raffrescamento con la ventola a bassa velocità.

AVVERTENZE relative alle modalità Raffrescamento e Deumidificazione

- Durante l'uso della modalità Raffrescamento o Deumidificazione, attendere almeno 3 minuti tra ciascuna riaccensione dell'apparecchio.
- Assicurarsi che la fonte di alimentazione sia adatta alle specifiche elettriche dell'apparecchio.
- Collegare il cavo di alimentazione a una presa di corrente CA:
- Non usare la stessa presa di corrente per alimentare più apparecchi elettrici.
- L'alimentazione elettrica è CA 220-240 V, 50 Hz.

Indicatore del serbatoio pieno

In condizioni d'uso normali, l'apparecchio farà evaporare automaticamente l'acqua di condensa, e un po' di acqua verrà raccolta nel serbatoio interno.

Quando l'acqua di condensa raccolta nel serbatoio interno raggiunge un certo livello, l'indicatore del serbatoio pieno si accenderà, e dopo circa 5 minuti il codice "E2" apparirà sul display.

In tal caso è necessario svuotare il serbatoio. Rimuovere il cappuccio in gomma e il tappo in gomma dalla porta di drenaggio sulla parte inferiore dell'apparecchio per drenare l'acqua.

Drenaggio continuo

Il drenaggio continuo evita di dover svuotare manualmente il serbatoio. Preparare un tubo di drenaggio. Collegarlo alla porta di drenaggio situata sulla parte posteriore dell'apparecchio a metà altezza e drenare l'acqua in un secchio o in uno scarico a pavimento. L'apparecchio funzionerà normalmente.

- In previsione di un lungo periodo di inutilizzo dell'apparecchio, usare entrambe le porte di drenaggio per drenare l'acqua.
- Se l'acqua di condensa si accumula rapidamente e l'indicatore del serbatoio si accende ripetutamente, il motore all'interno dell'apparecchio potrebbe essere danneggiato. In tal caso, contattare il nostro servizio clienti sul sito web www.emerio.eu/service

PULIZIA E MANUTENZIONE

- Prima di pulire l'apparecchio, scollegarlo dalla presa di corrente.
- Non usare benzina o altri agenti chimici per pulire l'apparecchio.
- Non bagnare l'apparecchio direttamente.

Filtro dell'aria

Per evitare che il filtro dell'aria venga ostruito da polvere/sporcizia è necessario pulirlo ogni due settimane.

- Estrarre il filtro dell'aria dalla parte inferiore dell'apparecchio.
- Pulire il filtro dell'aria con un detergente neutro e acqua tiepida (40°C) e lasciarlo asciugare all'aria al riparo dalla luce solare diretta.
- Reinserire il filtro dell'aria.

Superfici esterne

Pulire le superfici esterne con un detergente neutro e un panno umido, quindi asciugarle con un panno asciutto.

RISOLUZIONE DEI PROBLEMI

Problemi	Possibili cause	Soluzioni
L'apparecchio non si accende alla pressione del pulsante di accensione/spegnimento.	L'indicatore del serbatoio pieno lampeggia; il serbatoio è pieno.	Rimuovere il tappo in gomma per drenare l'acqua attraverso la porta di drenaggio.
	La temperatura ambientale è inferiore alla temperatura impostata.	Modificare la temperatura impostata.
L'aria non è abbastanza fredda	Le porte o le finestre della stanza sono aperte.	Assicurarsi di chiudere tutte le porte e le finestre.
	Nella stanza sono presenti fonti di calore.	Rimuovere le fonti di calore, se possibile.
	Il tubo di scarico dell'aria calda non è collegato o è ostruito.	Collegare o pulire il tubo di scarico dell'aria calda.
	La temperatura impostata è troppo alta.	Modificare la temperatura impostata.
	L'apertura di ingresso dell'aria è bloccata.	Pulire l'apertura di ingresso dell'aria.
L'apparecchio è rumoroso.	Il pavimento non è a livello o non è piano.	Posizionare l'apparecchio su una superficie piana e a livello, se possibile.
	Il rumore è causato dal flusso di refrigerante all'interno dell'apparecchio.	È un fenomeno normale.
Codice "E0"	Malfunzionamento del sensore della temperatura ambientale.	Il sensore della temperatura ambientale deve essere sostituito. Contattare un centro di assistenza autorizzato.
Codice "E1"	Malfunzionamento del sensore della temperatura del condensatore.	Il sensore della temperatura del condensatore deve essere sostituito. Contattare un centro di assistenza autorizzato.
Codice "E2"	Serbatoio dell'acqua pieno in modalità Raffrescamento.	Rimuovere il tappo in gomma e drenare l'acqua.
Codice "E3"	Malfunzionamento del sensore della temperatura dell'evaporatore.	Il sensore della temperatura dell'evaporatore deve essere sostituito. Contattare un centro di assistenza autorizzato.
In modalità Raffrescamento, l'apparecchio si spegne dopo 50 minuti di funzionamento.	Quando la temperatura ambientale raggiunge o scende al di sotto di 21°C per 50 minuti in modalità Raffrescamento, l'apparecchio si spegnerà automaticamente per 5 minuti.	Non è necessario intervenire. Questa funzione evita che i tubi interni in rame si congelino. L'apparecchio si riaccenderà automaticamente dopo 5 minuti.

SPECIFICHE TECNICHE

Nota: intervallo di temperature operative

	Raffrescamento massimo	Raffrescamento minimo
Temperatura a bulbo secco / Temperatura a bulbo umido (°C)	35/24	18/12

Di seguito sono riportate le specifiche tecniche dell'apparecchio.

Modello	PAC-127068.2
Tensione nominale	220-240 V
Frequenza nominale	50 Hz
Potenza in ingresso	1345 W
Corrente nominale	6,0 A
Capacità di raffreddamento	3500 W (12000 BTU/h)
Rimozione dell'umidità (L/H)	1,2
Flusso d'aria	320 m ³ /h

INFORMAZIONI ERP

	Valore
Marchio commerciale	Emerio
Identificativo del modello	PAC-127068.2
Livello di potenza sonora (raffreddamento)	≅ 65 dB(A)
Nome del refrigerante	R290 (0,215 kg)
Potenza nominale assorbita per il raffreddamento (kW)	1,345
Indice di efficienza energetica nominale	2,6
GWP (kgCO ₂ eq)	3
Classe di efficienza energetica	A
Consumo di energia per apparecchi a doppio condotto (kWh/h)	N/A
Consumo di energia per apparecchi a singolo condotto (kWh/h)	1,345
Consumo di energia in modalità a termostato spento (W)	N/A
Consumo di energia in modalità standby (W)	0,5 W
Capacità di raffreddamento	3500 W

La perdita di refrigerante contribuisce al cambiamento climatico. In caso di rilascio nell'atmosfera, i refrigeranti con un potenziale di riscaldamento globale (GWP) più basso contribuiscono in misura minore al riscaldamento globale rispetto a quelli con un GWP più elevato. Questo apparecchio contiene un fluido refrigerante con un GWP di 3. Se 1 kg di questo fluido refrigerante fosse rilasciato nell'atmosfera, quindi, l'impatto sul riscaldamento globale sarebbe 3 volte più elevato rispetto a 1 kg di CO₂, per un periodo di 100 anni. In nessun caso l'utente deve cercare di intervenire sul circuito refrigerante o di disassemblare il prodotto. Rivolgersi a personale qualificato.

#Consumo di energia: 1,345 kWh per il modello PAC-127068.2 durante 60 minuti di utilizzo in condizioni normali di prova. Il consumo effettivo dipende dalle modalità di utilizzo dell'apparecchio e dal luogo in cui è installato.

Per ulteriori informazioni, contattare:

Emerio Switzerland AG
Oberneuhofstrasse 1
6340 Baar
Switzerland

GARANZIA E SERVIZIO DI ASSISTENZA

Prima della fornitura, i nostri apparecchi vengono sottoposti ad un severo controllo di qualità. Se, nonostante la massima cura, si sono verificati danni durante la produzione o il trasporto, si prega di restituire l'apparecchio al rivenditore. Oltre ai diritti legali previsti dalla legge, l'acquirente può far valere i diritti derivanti dalla seguente garanzia:

Concediamo 2 anni di garanzia sull'apparecchio acquistato; il periodo di garanzia inizia dal giorno dell'acquisto. Se il prodotto è difettoso, rivolgersi al punto vendita.

I difetti derivanti da un uso scorretto dell'apparecchio e le malfunzioni dovute all'intervento o alla riparazione da parte di terzi o alla sostituzione di componenti con ricambi non originali non sono coperti da questa garanzia. Conservare sempre lo scontrino, senza il quale non è possibile far valere la garanzia. I danni dovuti al non rispetto del manuale di istruzioni rendono nulla la garanzia; se ciò porta a conseguenti danni non potremmo essere ritenuti responsabili. Decliniamo inoltre qualsiasi responsabilità per eventuali danni o lesioni personali causati da un uso improprio o in caso di mancata aderenza al manuale di istruzioni. Eventuali danni agli accessori non implicano la sostituzione gratuita dell'intero apparecchio. In tal caso, contattare il reparto di assistenza. La rottura di componenti in vetro o plastica è sempre soggetta a un costo. I difetti ai componenti di consumo o a componenti soggetti a usura, compresa la pulizia, manutenzione, sostituzione o le spese di spedizione e di trasporto verso il luogo di riparazione e ritorno. degli stessi, non sono coperti dalla garanzia e saranno soggetti a un costo.

SMALTIMENTO ECOCOMPATIBILE



Riciclaggio – Direttiva europea 2012/19/EU

Questo simbolo indica che il prodotto non deve essere smaltito con altri rifiuti domestici. Per prevenire rischi all'ambiente o alla salute da uno smaltimento non controllato, riciclare responsabilmente per promuovere un riutilizzo sostenibile delle risorse materiali. Per restituire il

dispositivo utilizzato, servirsi dei sistemi di restituzione e raccolta o contattare il proprio rivenditore autorizzato dove il prodotto è stato acquistato. Il rivenditore autorizzato si occuperà dello smaltimento sicuro del prodotto.



RICICLARE O SMALTIRE LE BATTERIE NEL MODO CORRETTO. NON APRIRLE. NON

BRUCIARLE E NON CORTO-CIRCUITARLE.

Emerio Switzerland AG
Oberneuhofstrasse 1
6340 Baar
Switzerland

ISTRUZIONI PER LA RIPARAZIONE DI APPARECCHI CONTENENTI R290

1. Istruzioni generali

1) Controllo dell'area

Prima di intervenire su sistemi contenenti refrigeranti infiammabili, è necessario effettuare alcuni controlli di sicurezza per minimizzare il rischio di ignizione. Prima di intervenire sul sistema refrigerante, rispettare le precauzioni riportate di seguito.

2) Procedura di intervento

Effettuare l'intervento seguendo una procedura controllata per minimizzare il rischio di presenza di vapore o gas infiammabile durante l'operazione.

3) Area generale di intervento

Tutto il personale di manutenzione e altre persone che lavorano nell'area devono essere informati della natura dell'intervento in corso. Evitare di lavorare in spazi ristretti. La zona intorno all'area di intervento deve essere isolata. Assicurarsi che le condizioni dell'area di intervento siano sicure in termini di materiali infiammabili.

4) Controllo della presenza di refrigerante

Controllare l'area con un rilevatore di refrigerante prima e durante l'intervento per essere consapevoli della presenza di atmosfere potenzialmente infiammabili. Assicurarsi che i dispositivi di rilevazione di perdite utilizzati siano idonei all'uso con refrigeranti infiammabili, ovvero che non producano scintille e siano sigillati adeguatamente o a sicurezza intrinseca.

5) Presenza di estintori

Se è necessario effettuare lavori a caldo sull'apparecchio o sui suoi componenti, tenere un dispositivo di estinzione a portata di mano. Tenere un estintore a polvere o CO₂ adiacente all'area di lavoro.

6) Assenza di fonti di ignizione

Se l'intervento sul sistema refrigerante richiede l'esposizione di tubazioni che contengono o hanno contenuto un refrigerante infiammabile, non usare fonti di ignizione che comportino il rischio di incendio o esplosione. Qualsiasi fonte di ignizione, incluse le sigarette accese, deve essere tenuta a una distanza sufficiente dal sito di installazione, riparazione, rimozione e smaltimento dell'apparecchio nel caso in cui un refrigerante infiammabile possa essere rilasciato nell'area circostante. Prima di effettuare l'intervento, ispezionare l'area intorno all'apparecchio per assicurarsi che sia priva di sostanze infiammabili o rischi di ignizione. Esporre i cartelli "Vietato fumare".

7) Ventilazione dell'area

Prima di effettuare lavori a caldo o accedere al sistema refrigerante, assicurarsi che l'area sia all'aperto o adeguatamente ventilata. Mantenere un livello di ventilazione costante durante l'esecuzione dell'intervento. La ventilazione deve garantire la dispersione in sicurezza di un'eventuale fuoriuscita di refrigerante, e preferibilmente la sua espulsione nell'atmosfera esterna.

8) Controllo dell'apparecchio refrigerante

Se è necessario sostituire dei componenti elettrici, assicurarsi che siano idonei allo scopo e conformi alle specifiche. Seguire tutte le istruzioni di manutenzione fornite dal costruttore. In caso di dubbio, contattare l'assistenza tecnica del costruttore.

Effettuare i controlli descritti di seguito sugli impianti che utilizzano refrigeranti infiammabili.

- La carica di refrigerante è proporzionale alle dimensioni del locale di installazione delle parti che contengono refrigerante.
- Le apparecchiature e le prese di ventilazione funzionano correttamente e non sono ostruite.
- Se viene utilizzato un circuito refrigerante indiretto, controllare la presenza di refrigerante nel circuito secondario.
- L'etichettatura dell'apparecchio è visibile e leggibile. Se l'etichettatura è illeggibile, sostituirla.
- Il tubi o i componenti di refrigerazione sono installati in una posizione che riduca il rischio di esposizione a sostanze in grado di corrodere i componenti contenenti refrigerante, a meno che tali componenti non siano costruiti con materiali intrinsecamente resistenti alla corrosione o protetti in modo adeguato dalla corrosione.

9) Controllo dei dispositivi elettrici

Le operazioni di riparazione e manutenzione dei componenti elettrici devono includere controlli iniziali di sicurezza e procedure di ispezione dei componenti. In caso di difetti che compromettono la sicurezza, non collegare il circuito ad alcuna fonte di alimentazione finché il difetto non viene corretto. Se il difetto non può essere corretto immediatamente ma è necessario continuare l'operazione, adottare una soluzione temporanea adeguata. Segnalare il problema al proprietario dell'apparecchio affinché tutte le parti siano informate. I controlli iniziali di sicurezza devono verificare che:

- I condensatori siano stati scaricati: l'operazione deve essere effettuata in sicurezza per evitare il rischio di scintille.
- Nessun cavo o componente elettrificato sia esposto durante la carica, il recupero o lo spurgo del sistema.
- La messa a terra sia continua.

2. Riparazione dei componenti sigillati

- 1) Durante la riparazione dei componenti sigillati, scollegare l'apparecchio da tutte le fonti di alimentazione elettrica prima di rimuovere qualsiasi copertura sigillata o componenti simili. Se è assolutamente necessario lasciare l'apparecchio collegato all'alimentazione elettrica durante la manutenzione, posizionare nel punto più critico un rilevatore di perdite permanentemente in funzione per prevenire situazioni potenzialmente pericolose.
- 2) Durante il lavoro sui componenti elettrici, prestare particolare attenzione a non alterare l'involucro esterno dell'apparecchio in modo tale da alterarne il livello di protezione. Ciò include danni ai cavi, un numero eccessivo di collegamenti, terminali non conformi alle specifiche originali, danni alle guarnizioni, installazione scorretta dei dispositivi di tenuta, ecc.

Assicurarsi che l'apparecchio sia installato in modo sicuro. Assicurarsi che le guarnizioni o i materiali di tenuta non siano usurati in modo tale da comprometterne la capacità di evitare l'ingresso di agenti infiammabili. Le parti di ricambio devono essere conformi alle specifiche del costruttore.

NOTA: l'uso di silicone sigillante può inibire l'efficacia di alcuni dispositivi di rilevamento delle perdite. Per intervenire sui componenti a sicurezza intrinseca, non è necessario isolarli.

3. Riparazione dei componenti a sicurezza intrinseca

Prima di applicare carichi induttivi o capacitivi permanenti al circuito, assicurarsi che ciò non causi il superamento dei valori di tensione e corrente consentiti dall'apparecchio. I componenti a sicurezza intrinseca sono gli unici su cui è possibile intervenire in presenza di atmosfera infiammabile quando sono elettrificati. Le specifiche del dispositivo di prova devono essere corrette. Sostituire i componenti esclusivamente con le parti specificate dal costruttore. Altre parti possono causare l'ignizione del refrigerante nell'atmosfera a causa di una perdita.

4. Cablaggio

Assicurarsi che i cavi non siano soggetti a usura, corrosione, pressione eccessiva, vibrazione, bordi affilati o altre condizioni avverse. I controlli devono prendere in considerazione anche gli effetti dell'usura o delle vibrazioni continue provenienti da fonti come compressori o ventole.

5. Rilevamento di refrigeranti infiammabili

Non usare in alcuna circostanza potenziali fonti di ignizione per la ricerca o il rilevamento di perdite di refrigerante. Non utilizzare torce ad alogenuri (o altri rilevatori che utilizzano fiamme libere).

6. Metodi di rilevamento delle perdite

I seguenti metodi di rilevamento delle perdite sono considerate adatte all'uso con sistemi contenenti refrigeranti infiammabili.

Per rilevare refrigeranti infiammabili è possibile usare rilevatori di perdite elettronici, ma la loro sensibilità potrebbe non essere adeguata o richiedere una nuova calibrazione. (I dispositivi di rilevamento devono essere calibrati in un'area priva di refrigerante.) Assicurarsi che il rilevatore non sia una potenziale fonte di ignizione e sia adatto al refrigerante utilizzato. I dispositivi di rilevamento delle perdite devono essere impostati a una percentuale dell'LFL (limite inferiore di infiammabilità) e calibrati sul refrigerante utilizzato e sulla percentuale appropriata di gas (massimo 25%). I fluidi per il rilevamento delle perdite sono adatti all'uso con la maggior parte dei refrigeranti; tuttavia, evitare l'uso di detergenti contenenti cloro perché quest'ultimo può reagire con il refrigerante e corrodere le tubazioni in rame. Se si sospetta una perdita, rimuovere/estinguere tutte le fiamme libere. Se viene rilevata una perdita di refrigerante che richiede una saldatura, tutto il refrigerante deve essere raccolto dal sistema o isolato (tramite valvole di intercettazione) in una parte del sistema lontana dalla perdita. L'azoto esente da ossigeno (OFN) deve quindi essere spurgato dal sistema sia prima che durante l'operazione di saldatura.

7. Rimozione e svuotamento

Durante l'accesso al circuito del refrigerante per effettuare riparazioni o qualsiasi altro intervento, utilizzare procedure convenzionali. Tuttavia, è importante adottare il protocollo raccomandato perché sussiste il rischio di infiammabilità. Rispettare la seguente procedura:

- Rimuovere il refrigerante.
- Spurgare il circuito con del gas inerte.
- Evacuare il circuito.
- Spurgare nuovamente il circuito con del gas inerte.
- Aprire il circuito tramite taglio o saldatura.

Raccogliere la carica di refrigerante nelle apposite bombole di recupero. Pulire il sistema con dell'OFN per rendere l'apparecchio sicuro. Potrebbe essere necessario ripetere più volte questo processo. Non usare ossigeno o aria compressa per effettuare questa operazione. Per effettuare la pulizia, pompare a vuoto l'OFN nel sistema e continuare a riempirlo fino a raggiungere la pressione di esercizio, quindi disperderlo nell'atmosfera e ripristinare il vuoto. Ripetere l'operazione fino alla completa espulsione del refrigerante dall'apparecchio. Durante l'utilizzo dell'ultima carica di OFN, scaricare il sistema affinché raggiunga una pressione atmosferica tale da consentire l'intervento. Questa operazione è essenziale prima di effettuare interventi di saldatura sulle tubazioni. Assicurarsi che l'uscita della pompa a vuota non sia in prossimità di fonti di ignizione e garantire un'adeguata ventilazione.

8. Procedure di carica

Oltre alle procedure di carica convenzionali, è necessario rispettare i seguenti requisiti.

- Evitare la contaminazione di diversi refrigeranti durante l'uso di apparecchi di ricarica. I tubi o le tubazioni devono essere più corti possibili per ridurre al minimo la quantità di refrigerante contenuta al loro interno.
- Le bombole devono essere mantenute in posizione verticale.
- Assicurarsi che il sistema refrigerante sia collegato a terra prima di caricare il refrigerante nel sistema.
- Etichettare il sistema al termine della carica (se non è stato fatto in precedenza).
- Prestare particolare attenzione a non riempire eccessivamente il sistema refrigerante.

Prima di caricare il sistema, sottoporlo a un test di pressione con dell'OFN. Il sistema deve essere sottoposto a un test di tenuta al termine della carica, ma prima della messa in servizio. Effettuare un nuovo test di tenuta prima di lasciare l'area di intervento.

9. Messa fuori servizio

Prima di effettuare questa procedura è essenziale che il tecnico abbia acquisito familiarità con l'apparecchio e tutte le sue specifiche. È buona norma assicurarsi che tutti i refrigeranti vengano recuperati in modo sicuro. Prima di effettuare l'operazione è necessario prelevare un campione di olio e di refrigerante nel caso sia necessaria un'analisi prima di riutilizzare il refrigerante rigenerato. È essenziale che l'alimentazione elettrica sia disponibile prima di iniziare l'operazione.

- a) Familiarizzarsi con l'apparecchio e il suo funzionamento.
- b) Isolare elettricamente il sistema.
- c) Prima di iniziare l'operazione, assicurarsi che:
 - Siano disponibili attrezzature meccaniche per lo spostamento delle bombole refrigeranti (se necessario).
 - Tutti i dispositivi di protezione individuale siano disponibili e utilizzati correttamente.
 - Il processo di recupero sia supervisionato in ogni momento da una persona competente.
 - Le bombole e l'attrezzatura di recupero siano conformi agli standard previsti.
- d) Se possibile, pompare a vuoto il sistema refrigerante.
- e) Se non è possibile ottenere il vuoto, realizzare un collettore affinché il refrigerante possa essere rimosso da tutte le parti del sistema.
- f) Assicurarsi che la bombola sia posizionata sulla bilancia prima di iniziare il recupero.
- g) Avviare l'attrezzatura di recupero e utilizzarla conformemente alle istruzioni del costruttore.
- h) Non riempire eccessivamente le bombole (non oltre l'80% di carica liquida).
- i) Non superare la pressione di esercizio massima della bombola, nemmeno temporaneamente.
- j) Quando le bombole sono state riempite correttamente e l'operazione è terminata, rimuovere tempestivamente le bombole e l'attrezzatura dal locale e assicurarsi che tutte le valvole di isolamento dell'apparecchio siano chiuse.
- k) Il refrigerante recuperato non deve essere caricato in un altro sistema refrigerante, a meno che non sia stato pulito e controllato.

10. Etichettatura

L'apparecchio deve essere contrassegnato con un'etichetta che ne segnali la messa fuori servizio e la rimozione di refrigerante dal suo interno. L'etichetta deve essere datata e firmata. Assicurarsi che sull'apparecchio siano presenti etichette indicanti che contiene refrigerante infiammabile.

11. Recupero

Durante la rimozione del refrigerante da un sistema, per manutenzione o messa fuori servizio, si raccomanda di effettuare l'operazione in sicurezza. Prima di trasferire il refrigerante nelle bombole, assicurarsi di utilizzare esclusivamente bombole di recupero adatte al refrigerante. Assicurarsi di avere a disposizione un numero di bombole sufficiente per contenere la carica totale del sistema. Tutte le bombole devono essere omologate per il refrigerante recuperato e correttamente etichettate (ovvero utilizzare bombole progettate appositamente per il recupero del refrigerante in questione). Le bombole devono essere dotate di valvole limitatrici di pressione e valvole di intercettazione in buone condizioni. Le bombole di recupero vuote devono essere svuotate e, se possibile, raffreddate prima del recupero. L'attrezzatura di recupero deve essere in buone condizioni, fornita di istruzioni e idonea al recupero di refrigeranti infiammabili. Inoltre, deve essere disponibile un set di bilance calibrate in buone condizioni. I tubi devono essere dotati di raccordi di scollegamento senza perdite e in buone condizioni. Prima di utilizzare l'attrezzatura di recupero, controllare che funzioni correttamente, che sia stata sottoposta a regolare manutenzione e che i componenti elettrici associati siano sigillati per evitare l'ignizione in caso di rilascio di refrigerante. Nel dubbio, consultare il costruttore. Il refrigerante recuperato deve essere restituito al fornitore del refrigerante nella bombola di recupero corretto, compilando un'apposita nota per lo smaltimento dei rifiuti. Non mescolare i refrigeranti nelle unità di recupero, soprattutto nelle bombole. Se è necessario rimuovere compressori o oli per compressore, assicurarsi che siano stati svuotati a un livello accettabile per garantire che il lubrificante non contenga refrigerante infiammabile. Il processo di svuotamento deve essere effettuato prima di restituire il compressore ai fornitori. L'unica modalità per accelerare questo processo è riscaldare elettricamente il corpo del compressore. Se è necessario drenare dell'olio da un sistema, effettuare l'operazione in sicurezza.

Competenza del personale di assistenza

Informazioni generali

Chiunque intervenga su apparecchi contenenti refrigeranti infiammabili deve essere in possesso di qualifiche aggiuntive oltre a quelle per la riparazione di apparecchi refrigeranti generici.

In numerosi Paesi tali qualifiche sono rilasciate da enti di formazione nazionali accreditati che attestano la competenza in materia di trattamento sicuro dei refrigeranti in conformità con le normative in vigore.

La competenza acquisita deve essere documentata da un certificato.

Formazione

La formazione deve trattare gli argomenti riportati di seguito.

Informazioni sul potenziale di esplosione dei refrigeranti infiammabili che illustrino la loro pericolosità se trattati impropriamente.

Informazioni sulle potenziali fonti di ignizione, in particolare quelle non ovvie come accendini, interruttori della luce, aspirapolvere, radiatori elettrici.

Informazioni sulle nozioni di sicurezza descritte di seguito.

Non ventilato – La sicurezza dell'apparecchio non dipende dalla ventilazione dell'involucro. Lo spegnimento dell'apparecchio o l'apertura dell'involucro non ha un effetto significativo sulla sicurezza. Tuttavia, è possibile che all'interno dell'involucro si accumuli del refrigerante fuoriuscito, e con il rischio di rilascio di atmosfera infiammabile all'apertura dell'involucro.

Involucro ventilato – La sicurezza dell'apparecchio dipende dalla ventilazione dell'involucro. Lo spegnimento dell'apparecchio o l'apertura dell'involucro ha un effetto significativo sulla sicurezza. Assicurare una sufficiente ventilazione preliminare.

Locale ventilato – La sicurezza dell'apparecchio dipende dalla ventilazione del locale. Lo spegnimento dell'apparecchio o l'apertura dell'involucro non ha un effetto significativo sulla sicurezza. Il locale deve rimanere ventilato durante l'intervento.

Informazioni sulla nozione di componenti sigillati e involucri sigillati ai sensi dello standard IEC 60079-15:2010.

Informazioni sulle corrette procedure di intervento descritte di seguito.

a) Messa in servizio

- Assicurarsi che la superficie di piano sia sufficiente per la carica di refrigerante o che il condotto di ventilazione sia assemblato in modo corretto.
- Collegare i tubi ed effettuare un test di tenuta prima di caricare il refrigerante.
- Controllare i dispositivi di sicurezza prima della messa in servizio.

b) Manutenzione

- Gli apparecchi portatili devono essere riparati all'aperto o in un'officina appositamente attrezzata per la riparazione di apparecchi contenenti refrigeranti infiammabili.
- Garantire una sufficiente ventilazione nel luogo di intervento.
- Tenere presente che il malfunzionamento dell'apparecchio potrebbe essere causato da una perdita di refrigerante e che è possibile la fuoriuscita di refrigerante.
- Scaricare i condensatori in modo tale che non causino alcuna scintilla. Generalmente, la procedura standard per cortocircuitare i terminali del condensatore causa scintille.
- Riasssemblare accuratamente gli involucri sigillati. Se le guarnizioni sono usurate, sostituirle.
- Controllare i dispositivi di sicurezza prima della messa in servizio.

c) Riparazioni

- Gli apparecchi portatili devono essere riparati all'aperto o in un'officina appositamente attrezzata per la riparazione di apparecchi contenenti refrigeranti infiammabili.
- Garantire una sufficiente ventilazione nel luogo di intervento.
- Tenere presente che il malfunzionamento dell'apparecchio potrebbe essere causato da una perdita di refrigerante e che è possibile la fuoriuscita di refrigerante.
- Scaricare i condensatori in modo tale che non causino alcuna scintilla.

- Se è necessario effettuare saldature, rispettare le seguenti istruzioni nell'ordine corretto.
- Rimuovere il refrigerante. Se le normative nazionali non prevedono il recupero, drenare il refrigerante all'aperto. Prestare attenzione per evitare che il refrigerante drenato causi pericoli. In caso di dubbio, una persona deve monitorare il drenaggio. Prestare particolare attenzione per evitare che il refrigerante drenato non ritorni all'interno.
- Evacuare il circuito del refrigerante.
- Spurgare il circuito del refrigerante con azoto per 5 minuti.
- Effettuare nuovamente l'evacuazione.
- Rimuovere i componenti da sostituire tagliandoli, senza usare fiamme.
- Spurgare il punto di saldatura con azoto durante l'operazione di saldatura.
- Effettuare un test di tenuta prima di caricare il refrigerante.
- Riasssemblare accuratamente gli involucri sigillati. Se le guarnizioni sono usurate, sostituirle.
- Controllare i dispositivi di sicurezza prima della messa in servizio.

d) Messa fuori servizio

- In caso di compromissione della sicurezza quando l'apparecchio viene messo fuori servizio, la carica di refrigerante deve essere rimossa prima della messa fuori servizio.
- Garantire una sufficiente ventilazione nel luogo di intervento.
- Tenere presente che il malfunzionamento dell'apparecchio potrebbe essere causato da una perdita di refrigerante e che è possibile la fuoriuscita di refrigerante.
- Scaricare i condensatori in modo tale che non causino alcuna scintilla.
- Rimuovere il refrigerante. Se le normative nazionali non prevedono il recupero, drenare il refrigerante all'aperto. Prestare attenzione per evitare che il refrigerante drenato causi pericoli. In caso di dubbio, una persona deve monitorare il drenaggio. Prestare particolare attenzione per evitare che il refrigerante drenato non ritorni all'interno.
- Evacuare il circuito del refrigerante.
- Spurgare il circuito del refrigerante con azoto per 5 minuti.
- Effettuare nuovamente l'evacuazione.
- Riempire di azoto fino alla pressione atmosferica.
- Apporre un'etichetta sull'apparecchio per segnalare che il refrigerante è stato rimosso.

e) Smaltimento

- Garantire una sufficiente ventilazione nel luogo di intervento.
- Rimuovere il refrigerante. Se le normative nazionali non prevedono il recupero, drenare il refrigerante all'aperto. Prestare attenzione per evitare che il refrigerante drenato causi pericoli. In caso di dubbio, una persona deve monitorare il drenaggio. Prestare particolare attenzione per evitare che il refrigerante drenato non ritorni all'interno.
- Evacuare il circuito del refrigerante.
- Spurgare il circuito del refrigerante con azoto per 5 minuti.
- Effettuare nuovamente l'evacuazione.
- Scollegare il compressore e drenare l'olio.

Trasporto, segnalazione e conservazione di apparecchi contenenti refrigeranti infiammabili

Trasporto di apparecchi contenenti refrigeranti infiammabili

Tenere presente che potrebbero essere in vigore norme aggiuntive per il trasporto di apparecchi contenenti refrigeranti infiammabili. Il numero massimo o la configurazione degli apparecchi che possono essere trasportati insieme è stabilito dalle normative locali.

Segnalazione dell'apparecchio con cartelli

I cartelli per apparecchi similari utilizzati in aree di lavoro sono generalmente disciplinati dalle normative locali e indicano i requisiti minimi per la fornitura di cartelli di sicurezza e/o salute nei luoghi di lavoro.

Tutti i cartelli richiesti devono essere esposti. Inoltre, i datori di lavoro devono garantire che i dipendenti ricevano istruzioni e formazione adeguate e sufficienti sul significato dei cartelli di sicurezza appropriati e sulle azioni da intraprendere in relazione ad essi.

Non apporre un numero eccessivo di cartelli per evitare di ridurre l'efficacia.

I simboli utilizzati devono essere i più semplici possibile e contenere esclusivamente informazioni essenziali.

Smaltimento di apparecchi contenenti refrigeranti infiammabili

Consultare le normative nazionali.

Conservazione di attrezzature/apparecchi

Conservare l'apparecchio conformemente alle istruzioni del costruttore.

Conservazione di apparecchi imballati (inventuti)

L'imballaggio di protezione deve essere costruito in modo tale che eventuali danni meccanici subiti dall'apparecchio al suo interno non causino perdite di refrigerante.

Il numero massimo di apparecchi che possono essere conservati insieme è stabilito dalle normative locali.