

Bottle Cooler (EN)

Flaschenkühlschrank (DE)

Rafraîchisseur de bouteille (FR)

Flessenkoeler (NL)

Chłodziarka do butelek (PL)

Content – Inhalt – Teneur – Inhoud – Treść

| | |
|------------------------------------|--------|
| Instruction manual – English | - 2 - |
| Bedienungsanleitung – German | - 11 - |
| Mode d'emploi – French | - 20 - |
| Gebruiksaanwijzing – Dutch | - 31 - |
| Instrukcja obsługi – Polish | - 41 - |

SAFETY INSTRUCTIONS

Before use make sure to read all of the below instructions in order to avoid injury or damage, and to get the best results from the appliance. Make sure to keep this manual in a safe place. If you give or transfer this appliance to someone else make sure to also include this manual.

In case of damage caused by user failing to follow the instructions in this manual the warranty will be void. The manufacturer/importer accepts no liability for damages caused by failure to follow the manual, a negligent use or use not in accordance with the requirements of this manual.

1. Read and save these instructions. Attention: pictures in the instructions are for reference only.
2. This appliance can be used by children aged from 8 years and above and persons with reduced physical, sensory or mental capabilities or lack of experience and knowledge if they have been given supervision or instruction concerning use of the appliance in a safe way and understand the hazards involved. Children shall not play with the appliance. Cleaning and user maintenance shall not be made by children without supervision.
3. Children aged from 3 to 8 years are allowed to load and unload refrigerating appliances.
4. If the supply cord is damaged, it must be replaced by the manufacturer, its service agent or similarly qualified persons in order to avoid a hazard.
5. **WARNING:** Keep ventilation openings, in the appliance enclosure or in the built-in structure, clear of obstruction.
6. **WARNING:** Do not use mechanical devices or other means to accelerate the defrosting process, other than those recommended by the manufacturer.
7. **WARNING:** Do not damage the refrigerant circuit.
8. **WARNING:** Do not use electrical appliances inside the food storage compartments of the appliance, unless they are of the type recommended by the manufacturer.

9. Do not store explosive substances such as aerosol cans with a flammable propellant in this appliance.
10. This appliance is intended to be used in household and similar applications such as
 - staff kitchen areas in shops, offices and other working environments;
 - farm houses and by clients in hotels, motels and other residential type environments;
 - bed and breakfast type environments;
 - catering and similar non-retail applications.
11. **WARNING:** When positioning the appliance, ensure the supply cord is not trapped or damaged.
12. **WARNING:** Do not locate multiple portable socket-outlets or portable power supplies at the rear of the appliance.
13. To avoid contamination of food, please respect the following instructions:
 - Opening the door for long periods can cause a significant increase of the temperature in the compartments of the appliance.
 - Clean regularly surfaces that can come in contact with food and accessible drainage systems.
 - Clean water tanks if they have not been used for 48h; flush the water system connected to a water supply if water has not been drawn for 5 days. (Only applicable to water dispenser and water inlet system.)
 - Store raw meat and fish in suitable containers in the refrigerator, so that it is not in contact with or drip onto other food.
 - Two-star frozen-food compartments are suitable for storing pre-frozen food, storing or making ice cream and making ice cubes.
 - One-, two- and three-star compartments are not suitable for the freezing of fresh food.
 - If the refrigerating appliance is left empty for long periods, switch off, defrost, clean, dry, and leave the door open to prevent mould developing within the appliance.

14. This refrigerating appliance is not intended to be used as a built-in appliance.
15. **Climate class:**
 - Extended temperate (SN): 'this refrigerating appliance is intended to be used at ambient temperatures ranging from 10°C to 32 °C';
 - Temperate (N): 'this refrigerating appliance is intended to be used at ambient temperatures ranging from 16 °C to 32 °C';
 - Subtropical (ST): 'this refrigerating appliance is intended to be used at ambient temperatures ranging from 16 °C to 38 °C';
 - Tropical (T): 'this refrigerating appliance is intended to be used at ambient temperatures ranging from 16 °C to 43 °C'.
16. This refrigerating appliance is not suitable for freezing foodstuffs.
17. Do not damage the power cord. Do not let the appliance rest on the power cord. Do not step on the power cord.
18. The power cord and plug must not be used when broken or abraded.
19. Please hold the plug tightly and unplug the appliance directly. Do not unplug it by pulling the power cord. The power plug of the appliance must be pulled out in case of electric shock before cleaning and maintenance.
20. Please do not extend your hand to the narrow gap between the door and the appliance to prevent damage to your fingers.
21. Please keep the children away when open or close the appliance door to avoid the damage to children.
22. The appliance shall be placed away from the heat source and avoid direct sunlight so as not to affect its performance.
23. The appliance shall be placed under well ventilated condition. More than 10cm space shall be left around the appliance including the back.

24. In order to ensure safety, it is recommended not to put the socket, power supply, microwave ovens and other devices on the surface of the appliance. Do not use electric devices inside the appliance to avoid electromagnetic interference or other accidents.
25. Do not place unstable items (heavy objects or containers with water) on top of the appliance in case of damage to people or electric leakage.
26. Do not store or use gasoline and other flammable materials around the appliance.
27. Do not spray water on the appliance. Do not place the appliance in wet conditions. Otherwise, the performance of the electrical insulation will be influenced.
28. The plug shall be pulled out when power failure or cleaning. Plug in the appliance at least 5 minutes later in case of the damage to the compressor.
29. It is strictly forbidden to disassemble or modify the appliance, or damage the refrigeration line. The repair of the appliance must be carried out by qualified persons.
30. Please remove the door, seal and rack when the appliance is wasted. Put them to proper places in case any accidents happen to children when they play with the appliance.
31. Please keep the appliance away from the fire source when it is scraped in case of any accidents.



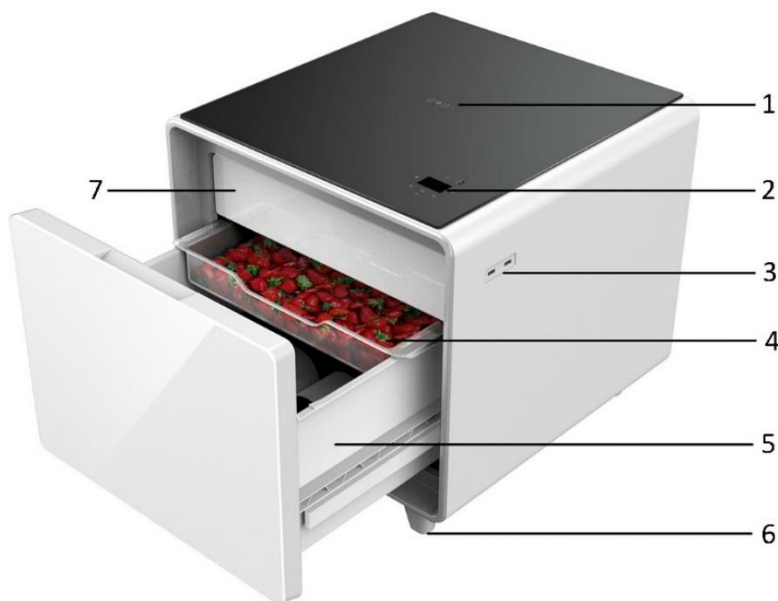
32. **WARNING!** Risk of fire / flammable materials
33. Regarding the information pertaining to the installation, handling, use, servicing, replacement of lamp (if applicable), cleaning and disposal of the appliance, thanks to refer to the below paragraph of the manual.

PREPARATION BEFORE THE FIRST USE

1. Remove all packaging material including the foam base and foam tape for accessories fixing.
2. Clean the appliance according to section "Cleaning and maintenance".
3. Do not plug in after the appliance is placed flat and cleaned. Let the appliance stand for more than 2 hours, then turn the power on to make sure the normal operation of the appliance is working.
4. Plug in the appliance for trial operation. Do not put food in the appliance. Let it run without load. Open the door after 1 hour and feel the temperature inside the appliance. If there is an obvious cooling feeling inside, it means the appliance is working normally. Put food in the appliance.

Attention:

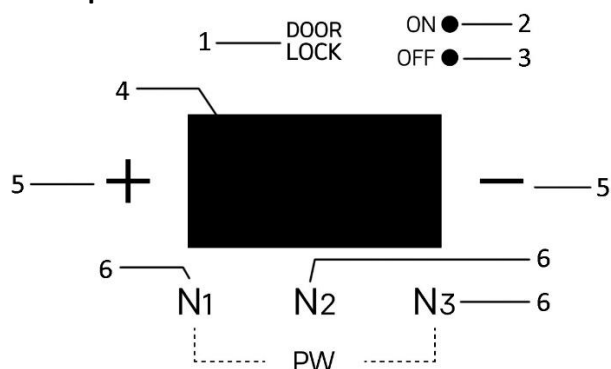
- The appliance needs to be placed on a flat surface. If it needs to be high, please choose a stable, hard, non-flammable pad. Do not use the packaging foam of the appliance to pad the height.
- Do not put the appliance in damp and splashy places. The splashed water and dirt should be cleaned in time to prevent rust and bad influence on the performance of the electrical insulation.
- Do not put the appliance in too cold environment, and do not use it outdoors or in rain.
- The appliance should be placed away from heat sources and avoid direct sunlight, so as not to affect its performance.
- The appliance should be placed in a well-ventilated location. There should be more than 10cm space around the appliance including the back.
- Small daily articles can be placed on the top of the box, not heating appliances.

PARTS DESCRIPTION

1. Wireless charging symbol
2. Control panel
3. USB ports
4. Sliding tray
5. Drawer
6. Feet
7. Password box

Note: this combination of drawer, sliding tray and password box results in the most efficient use of energy for this refrigerating appliance.

Control panel



1. Lock/unlock button for the password box
Password confirmation button
Temperature confirmation button
2. Indicator light of "ON": power is on / password box is unlocked
3. Indicator light of "OFF": power is on / password box is locked
4. Digital display
5. Temperature control buttons
6. Password setting buttons

OPERATION

Plug in the appliance, the indicator light of "OFF" illuminates. Now your appliance is ready for use.

Wireless charging function

Place the mobile phone (equipped with the wireless charging function) on the symbol ((•)). When a beep sound is heard, the mobile phone is under charging now.

USB charging function

There are two USB ports. When the appliance is powered on, you can recharge the devices such as mobile phone, humidifier and other external devices.

Refrigerator function

This function involves three parts: sliding tray, drawer and password box.

1. Set your desired temperature:
 - 1) Press and hold the buttons "+" and "-" simultaneously; the digital display starts to flash.
 - 2) Press the button "+" / "-" to adjust the temperature from 4-14 °C.
 - 3) Press the button "DOOR LOCK" to confirm the temperature. Alternatively, the temperature will be confirmed automatically with no further operations.

Note: the recommended temperature for optimum food preservation is 9°C.
2. Store food:
 - 1) The sliding tray can be used to store washed fruit (e.g., grapes/strawberries).
 - 2) The drawer can be used to store fresh food/fruit and bottles/cans of drinks.
 - 3) The password box can be used to store the food that needs to be kept refrigerated and exclusively possessed.
3. Set the password for the password box:

This box has a digital password lock, which prevents children from contacting the items and protect your "personal space".

 - 1) Password reset:

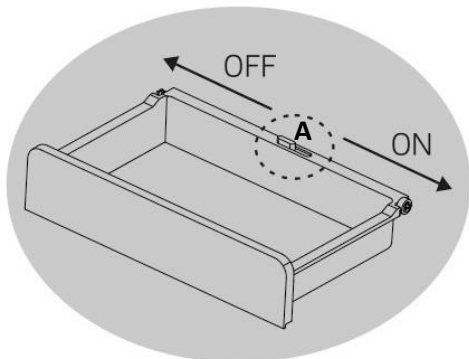
The initial password is "000". To reset the password, press and hold the button "N1" and "N2" simultaneously; the digital display starts to flash. Separately press the button "N1", "N2" and "N3" to choose your desired number from 0-9. Press the button "DOOR LOCK" to confirm the password.
 - 2) Password unlock:

Press the button "DOOR LOCK"; the digital display starts to flash. Separately press the button "N1", "N2" and "N3" to enter the password and then press the button "DOOR LOCK". The box is now unlocked and the indicator light of "ON" illuminates. To lock the box, just press the button "DOOR LOCK" again and the indicator light of "OFF" illuminates.

3) Password error:

When the password is not entered correctly, the digital display will show “Err” and then “000”. Please re-enter the correct password. If the password is entered incorrectly for three consecutive times, the password will be locked for 1 hour. You can only reset the password during this period.

Note: In the event of power failure/useless, if the lock cannot be opened by entering the password, go directly to the bottom of the password box and slide the switch (A) to the right side. The lock can be forcibly opened. In this case, please slide this switch to the left and return it to its original position before plugging in and using the lock normally.



Power-off memory: When the appliance is powered off and restarted, use it according to the previously set password.

Notes for storing food:

- Do not store foods which are easily addled at low temperature, such as bananas, cut tropical fruits. Excessive cooling will make the food discolored and its vitamin reduced.
- Do not put hot food into the refrigerating drawer, for it will increase the temperature inside and affect the freshness of other foods.
- Do not open the drawer frequently. When the drawer is open, the hot air will come into the drawer and cause the rising of the inside temperature.
- Please use plastic wrap or bag to seal the food containers, or use a covered container to store food, in order to avoid the evaporation of food moisture and retain the flavor and nutrition of food. It can also reduce the smell inside the drawer.
- Food such as vegetables and fruits should be washed and scrubbed clean before put into the drawer.
- The bottles should be tightly placed to prevent them from tilting when opening the drawer.

TIPS FOR ENERGY-SAVING

- Put the appliance in a cool and well-ventilated place. Keep it far away from heat sources and avoid direct sunlight.
- Minimize the time and frequency of door opening.
- Cover or wrap the food for storage.
- Do not put hot food or drink into the refrigerating drawer before cooling off.
- Never overfill the drawer; allow the air to flow.
- Do not set the temperature too low. The lower the set temperature is, the higher temperature consumption is needed.

CLEANING AND MAINTENANCE

WARNING: The appliance must not be connected to the mains during cleaning. Danger of electrical shock! Before cleaning, please unplug the appliance. Make sure your hands are dry.

- After the appliance is disconnected from the power, use soft cloth with neutral cleaning solvent to clean the surface, and then make it dry.
- Do not spray water to the appliance. Clean the control panel, USB Socket with a dry cloth only. Avoid electric shock and short circuit!
- Do not use the following materials for cleaning: weak acidic or alkaline cleaning agents, grinding powder detergents, Benzene zinc sodium water, alcohol, various acid oil, stiff brush, abrasive sponge brush, hot water, etc.

- To clean the drawer, use a damp cloth to clean the surface and dry well. To clean the sliding tray and the password box, pull them out of the appliance, wipe and dry thoroughly.

Warning: it is strictly forbidden to wash the bottom of the appliance with water. Wipe the appliance with a dry cloth after cleaning to prevent rust.

Door seal cleaning

Door seal is easy to be dirty, aged and damaged, which will cause the refrigerating effect decline, so please keep it clean.

Use water to clean the door seal and dry it thoroughly. Do not let clean water flow into the appliance to avoid short circuit.

Stop using the appliance

If you stop using the appliance for a long time, you'd better unplug the appliance and clean the appliance.

Note: If the plug has been taken out, you need to wait at least 5 minutes to put in the plug again. Do not stop the appliance too often.

Warnings:

- Keep ventilation unobstructed around the appliance.
- Do not damage the refrigeration circuit.

TRANSPORT OF THE APPLIANCE

1. Take out the plug.
2. Take out all the food.
3. Close the drawer door and fix it with tape.

Caution! Don't put the appliance upside down at any circumstance. During the transport, please keep an angle no larger than 45 degrees in order to avoid cooling system problem.

TECHNICAL SPECIFICATIONS

| | |
|--------------------------------------|----------------|
| Rated voltage: | 220-240V~ |
| Rated current: | 0.3A |
| Rated frequency: | 50Hz |
| Climate class: | ST |
| Refrigerant: | R600a(16g) |
| Protection against electrical shock: | I |
| Insulation blowing gas: | Cyclopentane |
| Noise level | 35 dB(A) |
| Max H-field strength | 40.21dBuA/m@3m |
| Frequency range | 110-205MHz |

Climate class:

- Extended temperate (SN): 'this refrigerating appliance is intended to be used at ambient temperatures ranging from 10°C to 32 °C';
- Temperate(N): 'this refrigerating appliance is intended to be used at ambient temperatures ranging from 16 °C to 32 °C';
- Subtropical (ST): 'this refrigerating appliance is intended to be used at ambient temperatures ranging from 16 °C to 38 °C';
- Tropical(T): 'this refrigerating appliance is intended to be used at ambient temperatures ranging from 16 °C to 43 °C';

Note: More data information, please scan the QR code on the energy label.

ANALYSIS AND ELIMINATION OF SIMPLE FAULTS

| Fault | Reason | Solution |
|---|--|--|
| Compressor cannot work properly but the indicator light of the door lock illuminates. | Power supply is less than 187V. | Unplug at once and adjust the power supply to the range of 187V-242V. If it doesn't work, please install more than 2KVAAC voltage regulator. |
| Compressor starts but stops in one minute and starts again. | Power supply is more than 242V. | |
| Compressor works for a long time but the appliance doesn't cool. | Refrigerant leakage. | Ask professional for help. |
| | Pipe blocked. | |
| There is cold air but compressor doesn't stop. | Open the door too often. | Reduce the times to open the door. |
| | Too much food inside the cooling area. | Take out some food. |
| | Heating dissipation is not good. | Let airflow work well. |
| | Temperature sensor cannot work properly. | Ask professionals for help. |
| The appliance doesn't work and can't refrigerate. | Fuse fault. | Change fuse. |
| | Main board fault. | Ask professionals for help. |
| Too much noise. | The cooling drawer is not flat. | Adjust the appliance to let the drawer sit flat. |
| | Some part is loose. | Tighten the part. |

GUARANTEE AND CUSTOMER SERVICE

Before delivery our devices are subjected to rigorous quality control. If, despite all care, damage has occurred during production or transportation, please return the device to your dealer. In addition to statutory legal rights, the purchaser has an option to claim under the terms of the following guarantee:

For the purchased device we provide 2 years guarantee, commencing from the day of sale. If you have a defective product, you can directly go back to the point of purchase.

Defects which arise due to improper handling of the device and malfunctions due to interventions and repairs by third parties or the fitting of non-original parts are not covered by this guarantee. Always keep your receipt, without the receipt you can't claim any form of warranty. Damage caused by not following the instruction manual, will lead to a void of warranty, if this results in consequential damages then we will not be liable. Neither can we hold responsible for material damage or personal injury caused by improper use or if the instruction manual are not properly executed. Damage to accessories does not mean free replacement of the whole appliance. In such case please contact our service department. Broken glass or breakage of plastic parts is always subject to a charge. Defects to consumables or parts subjected to wearing, as well as cleaning, maintenance or the replacement of said parts are not covered by the warranty and are to be paid.

The guarantee period of the spare parts is 2 years. If you need replacement, please contact our customer service.

ENVIRONMENT FRIENDLY DISPOSAL



Recycling – European Directive 2012/19/EU

This marking indicates that this product should not be disposed with other household wastes. To prevent possible harm to the environment or human health from uncontrolled waste disposal, recycle it responsibly to promote the sustainable reuse of material resources. To return your used

device, please use the return and collection systems or contact the retailer where the product was purchased. They can take this product for environmental safe recycling.

For professional repair and ordering spare parts, please contact our customer service.

Manufactured by: Emerio B.V.

Zomervaart 1A, 2033 DA Haarlem, The Netherlands

Service Hot Line: +49 3222 1097 615

SICHERHEITSINFORMATIONEN

Lesen Sie vor dem Gebrauch unbedingt die nachfolgenden Anleitungen, um Verletzungen oder Beschädigungen zu vermeiden und das beste Ergebnis mit dem Gerät zu erzielen. Bewahren Sie diese Bedienungsanleitung an einem sicheren Ort auf. Wenn Sie dieses Gerät an eine andere Person weitergeben, stellen Sie sicher, dass Sie auch diese Bedienungsanleitung aushändigen.

Im Falle von Beschädigungen, die durch die Missachtung der Anleitungen in dieser Bedienungsanleitung verursacht wurden, wird die Garantie ungültig. Der Hersteller/Importeur haftet nicht für Schäden, die durch Missachtung der Bedienungsanleitung, fahrlässigen Gebrauch oder Benutzung, die nicht in Übereinstimmung mit den Anforderungen dieser Bedienungsanleitung erfolgt, verursacht wurden.

1. Lesen und bewahren Sie diese Anleitungen auf. Achtung: Die Bilder in der Bedienungsanleitung dienen nur zur Veranschaulichung.
2. Dieses Gerät kann von Kindern ab 8 Jahren und von Personen mit eingeschränkten physischen, sensorischen oder geistigen Fähigkeiten oder ohne Erfahrung und/oder Wissen benutzt werden, wenn diese durch eine für ihre Sicherheit zuständige Person beaufsichtigt werden oder von ihr Anweisungen erhielten, wie das Gerät sicher zu benutzen ist und sie auf die Risiken aufmerksam gemacht wurden. Kinder dürfen nicht mit dem Gerät spielen. Kinder sollten dieses Gerät nicht unbeaufsichtigt reinigen oder warten.
3. Kinder im Alter zwischen 3 und 8 Jahren dürfen Kühlgeräte befüllen und leeren.
4. Wenn die Netzanschlussleitung dieses Gerätes beschädigt wird, muss sie durch den Hersteller oder seinen Kundendienst oder eine ähnlich qualifizierte Person ersetzt werden, um Gefährdungen zu vermeiden.
5. **WARNUNG:** Halten Sie die Lüftungsöffnungen im Gehäuse oder direkt im Gerät frei von Hindernissen.

6. **WARNUNG:** Verwenden Sie keine anderen als die vom Hersteller empfohlenen mechanischen Geräte oder andere Mittel, um den Abtauvorgang zu beschleunigen.
7. **WARNUNG:** Beschädigen Sie den Kältemittelkreislauf nicht.
8. **WARNUNG:** Verwenden Sie keine elektrischen Geräte in den Lebensmittelfächern des Geräts, es sei denn, sie entsprechen dem Typ, der vom Hersteller empfohlen wird.
9. Lagern Sie keine explosiven Substanzen wie Aerosoldosen mit einem brennbaren Treibmittel in diesem Gerät.
10. Dieses Gerät ist dazu bestimmt, im Haushalt und ähnlichen Anwendungsbereichen benutzt zu werden, wie z.B.:
 - in Personalküchen von Ladengeschäften, Büros und anderen Arbeitsumgebungen,
 - auf Bauernhöfen, von Gästen in Hotels, Motels und anderen Wohnumgebungen,
 - Pensionen und ähnlichen Unterkünften,
 - im Catering und ähnlichen Nicht-Einzelhandelsbereichen.
11. **WARNUNG:** Stellen Sie das Gerät so auf, dass das Versorgungskabel nicht eingeklemmt oder beschädigt wird.
12. **WARNUNG:** Stellen Sie keine Mehrfachsteckdosen oder tragbare Stromquellen an der Rückseite des Geräts auf.
13. Um eine Kontamination von Lebensmitteln zu vermeiden, beachten Sie bitte folgende Hinweise:
 - Ein längeres Öffnen des Deckels kann zu einer deutlichen Erhöhung der Temperatur im Gerät führen.
 - Reinigen Sie regelmäßig die Oberflächen, die mit Lebensmitteln und den zugänglichen Abläufen in Berührung kommen können.
 - Reinigen Sie die Wasserbehälter, wenn diese 48 Stunden lang nicht benutzt wurden. Spülen Sie den Wasserkreislauf, wenn 5 Tage lang kein Wasser verbraucht wurde. (Gilt nur für Wasserspender und Wasserzulauf)
 - Bewahren Sie Fleisch und Fisch in geeigneten Behältnissen im Kühlschrank auf, damit sie keinen Kontakt mit anderen Lebensmitteln bekommen oder auf sie tropfen können.
 - Tiefkühlfächer mit 2 Sternen eignen sich für die Aufbewahrung tiefgekühlter Lebensmittel, zum

Aufbewahren oder Herstellen von Speiseeis und Eiswürfeln.

- Zum Einfrieren frischer Lebensmittel sind Tiefkühlfächer mit einem, zwei oder drei Sternen nicht geeignet.
- Wenn das Kühlgerät längere Zeit leer bleibt, schalten Sie es aus, tauen Sie es ab, reinigen und trocknen sie es. Lassen Sie die Tür geöffnet, damit sich im Geräteinneren kein Schimmel bildet.

14. Dieses Kühlgerät ist nicht als Einbaugerät vorgesehen.

15. **Klimaklasse:**

- SN (Subnormal): Das Kühlgerät eignet sich für Umgebungstemperaturen von 10 bis 32 °C.
- N (Normal): Das Kühlgerät eignet sich für Umgebungstemperaturen von 16 bis 32 °C.
- ST (Subtropisch): Das Kühlgerät eignet sich für Umgebungstemperaturen von 16 bis 38 °C.
- T (Tropisch): Das Kühlgerät eignet sich für Umgebungstemperaturen von 16 bis 43 °C.

16. Das Kühlgerät eignet sich nicht für die Kühlung von Lebensmitteln.

17. Beschädigen Sie das Netzkabel nicht. Das Gerät darf nicht auf dem Netzkabel stehen. Treten Sie nicht auf das Netzkabel.

18. Wenn das Netzkabel oder der Netzstecker defekt ist oder Schürfstellen aufweist, darf es bzw. er nicht verwendet werden.

19. Halten Sie den Netzstecker fest und ziehen Sie ihn direkt heraus. Zum Trennen nicht am Netzkabel ziehen. Bei einem Stromschlag, vor dem Reinigen oder Warten muss der Netzstecker des Geräts gezogen werden.

20. Reichen Sie nicht in den schmalen Spalt zwischen der Tür und dem Gerät, es besteht Fingerverletzungsgefahr.

21. Halten Sie beim Öffnen und Schließen der Gerätetür Kinder fern, damit sie sich nicht verletzen können.

22. Das Gerät muss vor Wärmequellen und direktem Sonnenlicht geschützt werden, um die Funktion nicht zu beeinträchtigen.

23. Das Gerät sollte an einem gut belüfteten Ort aufgestellt werden. Rund um das Gerät, auch hinten, sollten mehr als 10 cm frei bleiben.
24. Um die Sicherheit zu gewährleisten, wird empfohlen, Steckdosen, Netzteile, Mikrowellenherde und andere Geräte nicht auf die Oberfläche des Geräts zu stellen. Verwenden Sie keine elektrischen Geräte im Inneren des Produkts, um elektromagnetische Störungen oder andere Störfälle zu vermeiden.
25. Stellen Sie auf das Gerät keine wackeligen Gegenstände (schwere Gegenstände oder Behältnisse mit Wasser). Es besteht Verletzungs- und Stromschlaggefahr.
26. Um das Gerät herum dürfen weder Benzin noch andere zündfähige Stoffe aufbewahrt oder benutzt werden.
27. Spritzen Sie kein Wasser auf das Gerät. Schützen Sie das Gerät vor Nässe. Andernfalls wird die elektrische Isolation beeinträchtigt.
28. Bei Stromausfall oder zum Reinigen den Netzstecker ziehen. Schließen Sie den Gerätestecker mindestens 5 Minuten später an, falls der Kompressor beschädigt wurde.
29. Es ist strengstens untersagt, das Gerät zu zerlegen, zu modifizieren oder die Kältemittelleitungen zu beschädigen. Die Reparatur des Geräts muss von Fachleuten durchgeführt werden.
30. Wenn das Gerät entsorgt werden soll, montieren Sie die Tür, Türdichtung und das Rost ab. Bewahren Sie die Teile an einem sicheren Ort auf, damit es nicht zu Unfällen kommen kann, wenn Kinder mit dem Gerät spielen.
31. Halten Sie das Gerät beim Verschrotten fern von Feuerquellen, um Unfälle zu vermeiden.



32. **WARNUNG!** Brandgefahr / zündfähige Materialien
33. Um Informationen zu Installation, Benutzung, Handhabung, Wartung, Austausch der Lampe (sofern zutreffend), Reinigung und Entsorgung zu erhalten, lesen Sie bitte den nachfolgenden Abschnitt in der Bedienungsanleitung.

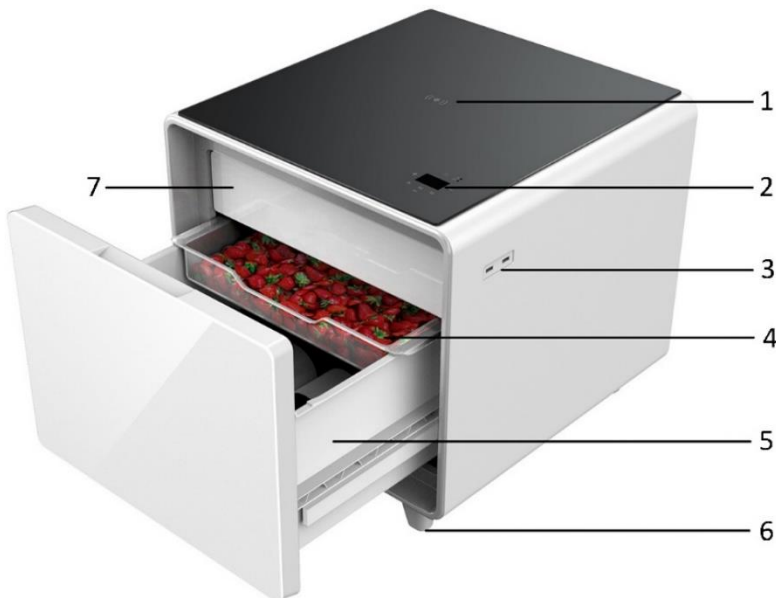
VORBEREITUNG VOR DER ERSTEN BENUTZUNG

1. Entfernen Sie das gesamte Verpackungsmaterial einschließlich der Schaumstoffunterlage und des Schaumstoffklebebands zur Befestigung des Zubehörs.
2. Reinigen Sie das Gerät wie unter „Reinigung und Pflege“ beschrieben.
3. Das Gerät nicht anschließen, nachdem es flach aufgestellt und gereinigt wurde. Das Gerät länger als 2 Stunden stehen lassen und erst dann einschalten, um sicherzustellen, dass das Gerät normal funktioniert.
4. Schließen Sie das Gerät für einen Testlauf an eine Steckdose an. Legen Sie keine Lebensmittel in das Gerät. Lassen Sie es ohne Befüllung eingeschaltet.
Öffnen Sie nach 1 Stunde die Tür und fühlen Sie die Temperatur im Innern des Geräts. Falls sich das Innere offensichtlich kühl anfühlt, funktioniert das Gerät ganz normal. Legen Sie Lebensmittel in das Gerät.

Achtung:

- Das Gerät muss auf einen ebenen Untergrund gestellt werden. Wenn es höher aufgestellt werden muss, verwenden Sie einen stabilen, harten und nicht zündfähigen Sockel. Verwenden Sie nicht den Schaumstoff der Verpackung als Gerätesockel.
- Stellen Sie das Gerät nicht an einem Ort mit Feuchtigkeit und Spritzwasser auf. Wasserspritzer und Schmutz sollten rechtzeitig beseitigt werden, um Rostbildung und Beeinträchtigungen der Elektroisolation zu vermeiden.
- Stellen Sie das Gerät nicht in einer zu kalten Umgebung auf und benutzen Sie es nicht im Freien oder im Regen.
- Das Gerät muss vor Wärmequellen und direktem Sonnenlicht geschützt werden, um die Funktion nicht zu beeinträchtigen.
- Das Gerät sollte an einem gut belüfteten Ort aufgestellt werden. Rund um das Gerät, auch hinten, sollten mehr als 10 cm frei bleiben.
- Oben auf das Gehäuse dürfen kleine Alltagsartikel abgelegt werden, aber keine Heizaggregate.

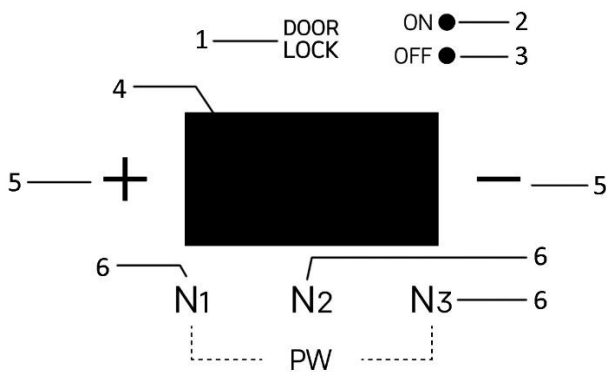
BEZEICHNUNG DER EINZELTEILE



1. Funk-Ladesymbol
2. Bedienfeld
3. USB-Anschlüsse
4. Schiebeschale
5. Schublade
6. Standfüße
7. Passwortbox

Hinweis: Diese Kombination aus Schublade, Schiebeschale und Passwortbox gewährleistet die bestmögliche Energieeffizienz für dieses Kühlgerät.

Bedienfeld



1. Ent-/Verriegelungstaste für die Passwortbox
Passwort-Bestätigungstaste
Temperatur-Bestätigungstaste
2. Anzeigelampe „ON“: Gerät ist an / Passwortbox ist entsperrt
3. Anzeigelampe „OFF“: Gerät ist aus / Passwortbox ist gesperrt
4. Digitales Display
5. Temperaturregler
6. Passwort-Einstelltasten

BETRIEB

Schließen Sie das Gerät an. Die Anzeigelampe „OFF“ leuchtet. Das Gerät ist nun einsatzbereit.

Funk-Ladefunktion

Legen Sie das Mobiltelefon (mit drahtloser Ladefunktion ausgestattet) auf das Symbol ((•)). Wenn ein Warnton abgegeben wird, wird das Mobiltelefon gerade aufgeladen.

USB-Ladefunktion

Es sind zwei USB-Anschlüsse vorhanden. Wenn das Gerät eingeschaltet ist, können Sie Geräte wie Mobiltelefone, Luftbefeuchter und andere externe Geräte aufladen.

Kühlfunktion

Drei Teile nutzen diese Funktion: Die Schiebeschale, die Schublade und die Passwortbox.

1. Solltemperatur einstellen:
 - 1) Halten Sie die Tasten „+“ und „-“ gleichzeitig gedrückt; das digitale Display beginnt zu blinken.
 - 2) Drücken Sie die Taste „+“ / „-“, um eine Temperatur zwischen 4 und 14 einzustellen.
 - 3) Drücken Sie die Taste „DOOR LOCK“, um die Temperatur zu übernehmen. Auch ohne einen weiteren Tastendruck wird die Temperatur automatisch übernommen.
Hinweis: Die empfohlene Temperatur für eine optimale Lebensmittelkonservierung beträgt 9 °C.
2. Lebensmittel befüllen:
 - 1) Die Schiebeschale kann zur Aufbewahrung von gewaschenem Obst (z. B. Trauben/Erdbeeren) verwendet werden.
 - 2) Die Schublade kann zum Lagern von frischen Lebensmitteln, Obst sowie Getränkeflaschen oder -dosen verwendet werden.
 - 3) Die Passwortbox kann zum Aufbewahren von Lebensmitteln benutzt werden, die gekühlt aufzubewahren und in exklusivem Besitz sind.
3. Passwort für die Passwortbox einstellen:

Diese Box ist durch ein digitales Passwortschloss gesichert, sodass Kinder keinen Zugang zu den Artikeln erhalten und Ihr „eigener Aufbewahrungsbereich“ geschützt bleibt.

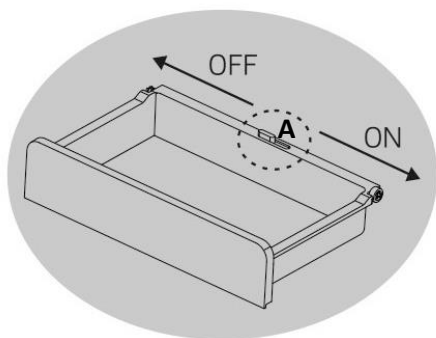
 - 1) Passwort zurücksetzen:
Das Anfangspasswort lautet „000“. Zum Zurücksetzen des Passworts halten Sie die Tasten „N1“ und „N2“ gleichzeitig gedrückt. Das digitale Display beginnt zu blinken. Drücken Sie getrennt die Taste „N1“, „N2“ und „N3“ und wählen Sie die gewünschte Zahl zwischen 0 und 9. Drücken Sie die Taste „DOOR LOCK“, um das Passwort zu übernehmen.
 - 2) Mit Passwort entsperren:
Drücken Sie die Taste „DOOR LOCK“. Das digitale Display beginnt zu blinken. Drücken Sie getrennt die Taste „N1“, „N2“ und „N3“ und geben Sie das Passwort ein. Drücken Sie anschließend auf „DOOR LOCK“.

Die Box ist nun entriegelt und die Anzeige „ON“ leuchtet auf. Zum Sperren der Box drücken Sie erneut die Taste „DOOR LOCK“. Die Anzeigeleuchte „OFF“ leuchtet.

3) Passwortfehler:

Wenn das eingegebene Passwort falsch ist, steht im digitalen Display zuerst „Err“ und anschließend „000“. Geben Sie danach das richtige Passwort ein. Wenn das Passwort dreimal hintereinander falsch eingegeben wird, wird das Passwort 1 Stunde lang gesperrt. Das Passwort können Sie dann nur innerhalb dieses Zeitraums zurücksetzen.

Hinweis: Wenn sich das Schloss bei einem Stromausfall nicht durch Passworteingabe öffnen lässt, schieben Sie den Schalter (A) unter der Passwortbox nach rechts. Die Sperre kann zwangsgelöst werden. Schieben Sie den Schalter dazu nach links und bewegen Sie ihn wieder in die ursprüngliche Position zurück, bevor Sie das Gerät anschließen und die Sperre normal benutzen.



Speichern beim Ausschalten: Wenn das Gerät aus- und wieder eingeschaltet wird, verwenden Sie das zuvor eingerichtete Passwort.

Hinweise zur Lebensmittellagerung:

- Lagern Sie Lebensmittel, die leicht sauer werden, nicht bei niedriger Temperatur, wie z. B. Bananen, geschnittene Südfrüchte. Bei zu starker Kühlung verfärbt sich das Lebensmittel und verliert seine Vitamine.
- Legen Sie keine heißen Lebensmittel in die Kühlschublade, denn dadurch erhöht sich die Temperatur im Inneren und beeinträchtigt die Frische anderer Lebensmittel.
- Öffnen Sie die Schublade nicht zu oft. Wenn die Schublade geöffnet ist, gelangt warme Luft in die Schublade und verursacht den Anstieg der Innentemperatur.
- Bitte verwenden Sie Frischhaltefolie oder -beutel, um die Lebensmittelbehälter zu versiegeln, oder verwenden Sie einen abgedeckten Behälter zur Aufbewahrung von Lebensmitteln, um die Verdunstung der Lebensmittelfeuchtigkeit zu vermeiden und den Geschmack und die Nährstoffe der Lebensmittel zu erhalten. Dadurch lassen sich auch Gerüche im Inneren der Schublade reduzieren.
- Lebensmittel wie Gemüse und Obst sollten gewaschen und sauber gebürstet werden, bevor sie in die Schublade gelegt werden.
- Flaschen sollten an einander stehen, damit sie beim Öffnen der Schublade nicht umkippen können.

ENERGIESPARTIPPS

- Stellen Sie das Gerät an einem kühlen und gut belüfteten Ort auf. Halten Sie es weit von Wärmequellen entfernt und vermeiden Sie direkte Sonneneinstrahlung.
- Öffnen Sie die Schubladen so kurz und so wenig wie möglich.
- Decken Sie die Lebensmittel zur Lagerung ab oder wickeln Sie sie ein.
- Lassen Sie heiße Speisen oder Getränke abkühlen, bevor Sie sie in die Kühlschublade geben.
- Überfüllen Sie die Schublade nicht; lassen Sie die Luft zirkulieren.
- Stellen Sie die Temperatur nicht zu niedrig ein. Je niedriger die eingestellte Temperatur ist, desto höher ist der Stromverbrauch.

REINIGUNG UND PFLEGE

WARNUNG: Während der Reinigung darf das Gerät nicht an die Steckdose angeschlossen werden. Stromschlaggefahr!

Ziehen Sie den Netzstecker des Geräts vor dem Reinigen. Ihre Hände müssen trocken sein.

- Nachdem das Gerät von der Stromversorgung getrennt wurde, verwenden Sie ein weiches Tuch mit neutralem Reinigungsmittel, um die Oberfläche zu reinigen, und lassen Sie sie anschließend trocknen.

- Spritzen Sie kein Wasser auf das Gerät. Reinigen Sie das Bedienfeld und die USB-Buchse nur mit einem trockenen Tuch. Vermeiden Sie Stromschlag und Kurzschluss!
- Verwenden Sie folgende Materialien nicht zur Reinigung: schwach saure oder alkalische Reinigungsmittel, Scheuerpulver, Alkohol, verschiedene saure Öle, steife Bürste, Scheuerschwämme, heißes Wasser usw.
- Benutzen Sie zum Reinigen der Schublade einen feuchten Lappen, um die Oberfläche abzuwischen und wischen Sie gut trocken. Zum Reinigen der Schiebeschale und der Passwortbox ziehen Sie beide aus dem Gerät, wischen Sie sie und trocknen Sie sie gründlich.

Warnung: Es ist strengstens verboten, die Unterseite des Geräts mit Wasser abzuwaschen. Wischen Sie das Gerät nach dem Reinigen mit einem trockenen Lappen ab, um Rost zu vermeiden.

Reinigen der Türdichtungen

Die Türdichtung kann leicht verschmutzen, altern und beschädigt werden, wodurch die Kühlwirkung nachlässt. Halten Sie sie daher bitte sauber.

Reinigen Sie die Türdichtung mit Wasser und trocknen Sie sie gründlich. Um Kurzschlüsse zu vermeiden, verhindern Sie, dass Wasser in das Gerät fließt.

Bei Nichtverwendung des Geräts

Wenn Sie das Gerät längere Zeit nicht benutzen, sollten Sie den Netzstecker ziehen und das Gerät reinigen.

Hinweis: Wenn der Stecker herausgezogen wurde, müssen Sie mindestens 5 Minuten warten, um den Stecker wieder einzustecken. Halten Sie das Gerät nicht zu oft an.

Warnhinweise:

- Die Belüftung darf um das Gerät herum nicht behindert werden.
- Beschädigen Sie den Kältemittelkreislauf nicht.

TRANSPORT DES GERÄTS

1. Ziehen Sie den Netzstecker.
2. Nehmen Sie alle Lebensmittel heraus.
3. Schließen Sie die Schubladentür und fixieren Sie sie mit Klebeband.

Vorsicht! Das Gerät darf unter keinen Umständen auf den Kopf gestellt werden. Halten Sie beim Transport einen Winkel von nicht mehr als 45 Grad ein, um Probleme mit dem Kühlsystem zu vermeiden.

TECHNISCHE DATEN

| | |
|------------------------------|----------------|
| Nennspannung: | 220-240 VAC |
| Bemessungsstrom: | 0,3 A |
| Nennfrequenz: | 50 Hz |
| Klimakategorie: | ST |
| Kältemittel: | R600a (16 g) |
| Stromschlag-Schutzisolation: | I |
| Dämmstoff: | Cyclopentan |
| Geräuschpegel | 35 dB(A) |
| Max. H-Feldstärke | 40.21dBuA/m@3m |
| Frequenzbereich | 110-205MHz |

Klimaklasse:

- SN (Subnormal): Das Kühlgerät eignet sich für Umgebungstemperaturen von 10 bis 32 °C.
- N (Normal): Das Kühlgerät eignet sich für Umgebungstemperaturen von 16 bis 32 °C.
- ST (Subtropisch): Das Kühlgerät eignet sich für Umgebungstemperaturen von 16 bis 38 °C.
- T (Tropisch): Das Kühlgerät eignet sich für Umgebungstemperaturen von 16 bis 43 °C.

Hinweis: Für weitere Daten und Informationen scannen Sie den QR-Code auf dem Aufkleber mit dem Energienachweis.

EINFACHE FEHLER FINDEN UND BESEITIGEN

| Fehler | Grund | Lösung |
|---|---|---|
| Der Kompressor funktioniert nicht richtig, aber die Anzeigeleuchte an der Tür leuchtet auf. | Die Stromversorgung liefert weniger als 187 V. | Sofort vom Netz trennen und die Stromversorgung auf 187 - 242 V einstellen. Falls dies nicht funktioniert, installieren Sie einen Spannungsregler mit mehr als 2 KVAAC. |
| Der Kompressor startet, stoppt nach einer Minute und startet erneut. | Die Stromversorgung liefert über 242 V. | |
| Der Kompressor ist schon länger in Betrieb, aber das Gerät kühlt nicht. | Kältemittel läuft aus. | Bitten Sie einen Fachmann um Hilfe. |
| | Leitung blockiert. | |
| Kaltluft ist vorhanden, aber der Kompressor stellt sich nicht ab. | Die Tür wurde zu oft geöffnet. | Öffnen Sie die Tür weniger. |
| | Zu viele Lebensmittel im Kühlbereich. | Nehmen Sie Lebensmittel heraus. |
| | Die Wärmeabfuhr ist schlecht. | Sorgen Sie für eine gute Luftzirkulation. |
| | Der Temperatursensor funktioniert nicht richtig. | Bitten Sie einen Fachmann um Hilfe. |
| Das Gerät funktioniert nicht und kühlt nicht. | Sicherungsfehler | Sicherung wechseln. |
| | Hauptplatinenfehler. | Bitten Sie einen Fachmann um Hilfe. |
| Zu viel Lärm. | Die Schublade im Kühlgerät liegt nicht flach auf. | Justieren Sie das Gerät, damit die Schublade flach aufliegen kann. |
| | Ein Teil hat sich gelöst. | Teil festziehen. |

GARANTIE UND KUNDENSERVICE

Vor der Lieferung werden unsere Geräte einer strengen Qualitätskontrolle unterzogen. Wenn, trotz aller Sorgfalt, während der Produktion oder dem Transport Beschädigungen aufgetreten sind, senden Sie das Gerät zurück an den Händler. Zusätzlich zu den gesetzlichen Rechten hat der Käufer die Option, gemäß den folgenden Bedingungen Garantie zu fordern:

Wir bieten eine 2-Jahres-Garantie für das erworbene Gerät, beginnend am Tag des Verkaufs. Wenn Sie ein defektes Produkt haben, nehmen Sie bitte direkt Kontakt mit dem Verkäufer auf.

Defekte, die aufgrund von unangemessenem Umgang mit dem Gerät entstehen und Störungen aufgrund von Eingriffen und Reparaturen Dritter oder das Montieren von nicht-Originalteilen werden nicht von dieser Garantie abgedeckt. Die Quittung immer aufbewahren, ohne Quittung wird jegliche Garantie ausgeschlossen. Bei Schäden durch Nichteinhalten der Bedienungsanleitung erlischt die Garantie, Wir sind für daraus resultierende Folgeschäden nicht haftbar. Für Materialschäden oder Verletzungen aufgrund falscher Anwendung oder Nichtbefolgen der Sicherheitshinweise sind wir nicht haftbar. Schäden an den Zubehörteilen bedeutet nicht, dass das gesamte Gerät kostenlos ausgetauscht wird. In diesem Fall kontaktieren Sie unseren Kundendienst. Zerbrochenes Glas oder Kunststoffteile sind immer kostenpflichtig. Schäden an Verbrauchsmaterialien oder Verschleißteilen, sowie Reinigung, Wartung oder Austausch der besagten Teile werden durch die Garantie nicht abgedeckt und sind deshalb kostenpflichtig.

Für Ersatzteile gilt ein Garantiezeitraum von 2 Jahren. Bitte wenden Sie sich an unseren Kundenservice, falls Sie Ersatzteile benötigen.

UMWELTGERECHTE ENTSORGUNG



Wiederverwertung – Europäischen Richtlinie 2012/19/EG

Dieses Symbol zeigt an, dass das Produkt nicht zusammen mit Haushaltsabfällen entsorgt werden darf. Um Umwelt- und Gesundheitsschäden durch unkontrollierte Abfallentsorgung zu verhindern, bitte verantwortungsbewusst entsorgen, um die nachhaltige Wiederverwertung von Ressourcen zu fördern. Nutzen Sie zur Rückgabe Ihres Altgeräts bitte die Rückgabe- und Sammelsysteme oder wenden Sie sich an den Händler bei dem Sie dieses Gerät erworben haben. Dieser kann das Gerät umweltschonend entsorgen.

Für eine professionelle Reparatur und das Bestellen von Ersatzteilen wenden Sie sich bitte an unseren Kundendienst.

Hersteller: Emerio B.V.

Zomervaart 1A, 2033 DA Haarlem, The Netherlands

Service-Hotline: +49 3222 1097 615

CONSIGNES DE SECURITÉ

Avant d'utiliser l'appareil, lisez toutes les consignes suivantes pour éviter des blessures et des dommages, et pour optimiser les performances de votre appareil. Conservez cette notice d'utilisation dans un endroit sûr. Si vous donnez ou transférez cet appareil à un tiers, veillez à lui remettre également cette notice d'utilisation.

En cas de détérioration due au non-respect par l'utilisateur des instructions de cette notice d'utilisation, la garantie est annulée. Le fabricant/importateur rejette toute responsabilité en cas de dommages dus au non-respect des instructions de la notice d'utilisation, à un usage négligent ou à l'usage non conforme aux exigences de cette notice d'utilisation.

1. Lisez et conservez ces instructions. Attention: les images incluses dans le manuel d'instructions servent de référence seulement.
2. Cet appareil peut être utilisé par des enfants âgés d'au moins 8 ans et par des personnes ayant des capacités physiques, sensorielles ou mentales réduites ou dénuées d'expérience ou de connaissance, s'ils (si elles) sont correctement surveillé(e)s ou si des instructions relatives à l'utilisation de l'appareil en toute sécurité leur ont été données et si les risques encourus ont été appréhendés. Les enfants ne doivent pas jouer avec l'appareil. Le nettoyage et l'entretien par l'utilisateur ne doivent pas être effectués par des enfants sans surveillance.
3. Les enfants âgés de 3 à 8 ans sont autorisés à charger et décharger les appareils de réfrigération.
4. Si le câble d'alimentation est endommagé, il doit être remplacé par le fabricant, son service après vente ou des personnes de qualification similaire afin d'éviter un danger.
5. **MISE EN GARDE** : Maintenir dégagées les ouvertures de ventilation dans l'enceinte de l'appareil ou dans la structure d'encastrement.

6. **MISE EN GARDE** : Ne pas utiliser de dispositifs mécaniques ou autres moyens pour accélérer le processus de dégivrage autres que ceux recommandés par le fabricant.
7. **MISE EN GARDE** : Ne pas endommager le circuit de réfrigération.
8. **MISE EN GARDE** : Ne pas utiliser d'appareils électriques à l'intérieur du compartiment de stockage des denrées, à moins qu'ils ne soient du type recommandé par le fabricant.
9. Ne pas stocker dans cet appareil des substances explosives telles que des aérosols contenant des gaz propulseurs inflammables.
10. Cet appareil est destiné à être utilisé dans des applications domestiques et analogues telles que:
 - les coins cuisines réservés au personnel des magasins, bureaux et autres environnements professionnels;
 - les fermes et l'utilisation par les clients des hôtels, motels et autres environnements à caractère résidentiel;
 - les environnements de type chambres d'hôtes;
 - la restauration et autres applications similaires hormis la vente au détail.
11. **Avertissement** : Lors du positionnement de l'appareil, assurez-vous que le cordon d'alimentation n'est pas tordu ou endommagé.
12. **Avertissement** : Ne pas installer plusieurs prises de courant portatives ou blocs d'alimentation portatifs à l'arrière de l'appareil.
13. Pour éviter la contamination des aliments, il y a lieu de respecter les instructions suivantes :
 - Des ouvertures de la porte de manière prolongée sont susceptibles d'entraîner une augmentation significative de température des compartiments de l'appareil.
 - Nettoyer régulièrement les surfaces susceptibles d'être contact avec les aliments et les systèmes d'évacuation accessibles.
 - Nettoyer les récipients d'eau s'ils n'ont pas été utilisés pendant 48 h; bien rincer le système de distribution

raccordé à un réseau de distribution d'eau si de l'eau n'a pas été prélevée pendant 5 jours. (S'applique uniquement au distributeur d'eau et au circuit d'arrivée d'eau)

- Entreposer la viande et le poisson crus dans les bacs du réfrigérateur qui conviennent, de telle sorte que ces denrées ne soient pas en contact avec d'autres aliments ou qu'elles ne s'égouttent pas sur les autres aliments.
- Les compartiments «deux étoiles» pour denrées congelées conviennent pour stocker des aliments précongelés, stocker ou fabriquer de la crème glacée et des cubes de glace.
- Les compartiments «une, deux et trois étoiles» ne conviennent pas pour la congélation des denrées alimentaires fraîches.
- Si l'appareil de réfrigération demeure vide de manière prolongée, le mettre hors tension, en effectuer le dégivrage, le nettoyer, le sécher, et laisser la porte ouverte pour prévenir le développement de moisissures à l'intérieur de l'appareil.

14. Ce réfrigérateur n'est pas encastrable.

15. **Classe climatique :**

- Tempérée élargie (SN) : « Cet appareil de réfrigération est destiné à être utilisé à des températures ambiantes comprises entre 10°C et 32°C » ;
- Tempérée (N) : « Cet appareil de réfrigération est destiné à être utilisé à des températures ambiantes comprises entre 16°C et 32°C » ;
- Subtropicale (ST) : « Cet appareil de réfrigération est destiné à être utilisé à des températures ambiantes comprises entre 16°C et 38°C » ;
- Tropicale (T) : « Cet appareil de réfrigération est destiné à être utilisé à des températures ambiantes comprises entre 16°C et 43°C ».

16. Cet appareil de réfrigération ne convient pas pour la congélation de denrées alimentaires.

17. N'endommagez pas le câble d'alimentation. Ne laissez pas l'appareil reposer sur le câble d'alimentation. Ne marchez pas sur le câble d'alimentation.
18. Le câble d'alimentation et la fiche ne doivent pas être utilisés s'ils sont cassés ou fissurés.
19. Tenez fermement la fiche et débranchez directement l'appareil. Ne le débranchez pas en tirant sur le câble d'alimentation. La fiche d'alimentation de l'appareil doit être débranchée avant le nettoyage et l'entretien pour éviter tout choc électrique.
20. Veuillez ne pas étendre votre main jusqu'à l'espace étroit entre la porte et l'appareil pour éviter d'endommager vos doigts.
21. Veuillez tenir les enfants éloignés lorsque vous ouvrez ou fermez la porte de l'appareil pour éviter toute blessure.
22. L'appareil doit être placé loin de toute source de chaleur et de la lumière directe du soleil afin de ne pas affecter ses performances.
23. L'appareil doit être placé dans un endroit bien ventilé. Un espace de plus de 10 cm doit être laissé autour de l'appareil, y compris à l'arrière.
24. Pour des raisons de sécurité, il est recommandé de ne pas mettre de prise, d'alimentation électrique, de fours à micro-ondes ou d'autres appareils sur la surface du produit. N'utilisez pas d'appareils électriques à l'intérieur de l'appareil pour éviter des interférences électromagnétiques ou d'autres accidents.
25. Ne placez pas d'objets instables (objets lourds ou contenant de l'eau) sur l'appareil en cas de dommages aux personnes ou de fuite électrique.
26. Ne stockez pas et n'utilisez pas d'essence et d'autres matériaux inflammables autour de l'appareil.
27. Ne vaporisez pas d'eau sur l'appareil. Ne placez pas l'appareil dans des conditions humides. Sinon, les performances de l'isolation électrique seront affectées.

28. La fiche doit être débranchée en cas de panne de courant ou de nettoyage. Rebranchez l'appareil au moins 5 minutes plus tard en cas d'endommagement du compresseur.
29. Il est strictement interdit de démonter, modifier le produit ou d'endommager la ligne de réfrigération. La réparation de l'appareil doit être effectuée par des personnes qualifiées.
30. Veuillez retirer la porte, le joint et la grille lorsque l'appareil est mis au rebut. Placez-les dans des endroits appropriés pour éviter tout accident qui pourrait se produire si des enfants jouent avec l'appareil.
31. Veuillez tenir l'appareil à l'écart de la source d'incendie lorsqu'il est mis au rebut en cas d'accident.



32. Danger; risque d'incendie/ matières inflammables
33. En ce qui concerne les informations pour l'installation, la manipulation, l'utilisation, l'entretien, le remplacement de l'ampoule (le cas échéant), le nettoyage et la mise au rebut de l'appareil, référez-vous au paragraphe ci-après de la notice d'utilisation.

AVANT LA PREMIÈRE UTILISATION

1. Retirez tous les matériaux d'emballage, y compris le socle en mousse et le ruban en mousse pour la fixation des accessoires.
2. Nettoyez l'appareil selon la section « Nettoyage et entretien ».
3. Ne branchez pas l'appareil après l'avoir posé à plat et nettoyé. Laissez l'appareil reposer pendant plus de 2 heures, puis mettez-le sous tension pour vous assurer que le fonctionnement normal de l'appareil fonctionne.
4. Branchez l'appareil pour tester son fonctionnement. Ne mettez pas d'aliments dans l'appareil. Laissez-le fonctionner sans charge.
Ouvrez la porte après 1 heure et mesurez la température à l'intérieur de l'appareil. S'il y a une sensation évidente de refroidissement à l'intérieur, cela signifie que l'appareil fonctionne normalement. Mettez des aliments dans l'appareil.

Attention :

- L'appareil doit être placé sur une surface plane. S'il doit être placé en hauteur, choisissez un support stable, dur et ininflammable. N'utilisez pas la mousse d'emballage de l'appareil pour le placer en hauteur.
- Ne placez pas l'appareil dans un endroit humide ou exposé à des projections d'eau. Les éclaboussures d'eau et la saleté doivent être nettoyées à temps pour éviter la rouille et une mauvaise influence sur les performances de l'isolation électrique.
- Ne placez pas l'appareil dans un environnement trop froid, et ne l'utilisez pas à l'extérieur ou sous la pluie.
- L'appareil doit être placé loin de toute source de chaleur et de la lumière directe du soleil afin de ne pas affecter ses performances.
- L'appareil doit être placé dans un endroit bien ventilé. Un espace de plus de 10 cm doit être laissé autour de l'appareil, y compris à l'arrière.
- Les petits articles quotidiens peuvent être placés sur le dessus du boîtier, mais pas d'appareils de chauffage.

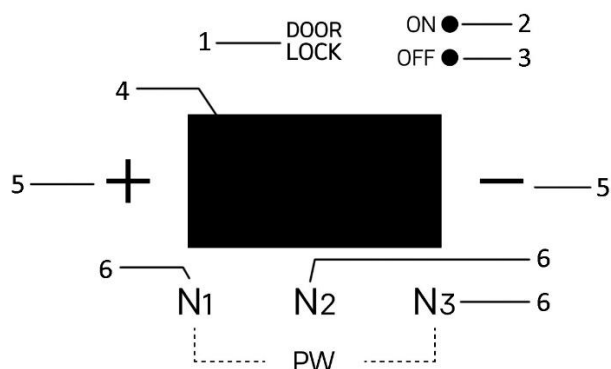
DESCRIPTION DES PIÈCES



1. Symbole de charge sans fil
2. Panneau de contrôle
3. Ports USB
4. Bac coulissant
5. Tiroir
6. Pieds
7. Boîte à mot de passe

Remarque : cette combinaison de tiroir, bac coulissant et boîte à mot de passe permet d'utiliser l'énergie de la manière la plus efficace pour cet appareil de réfrigération.

Panneau de contrôle



1. Bouton de verrouillage/déverrouillage de la boîte à mot de passe
Bouton de confirmation du mot de passe
Bouton de confirmation de la température
2. Voyant lumineux « ON » : l'alimentation est activée / la boîte à mot de passe est déverrouillée
3. Voyant lumineux « OFF » : l'alimentation est activée / la boîte à mot de passe est verrouillée
4. Écran numérique
5. Boutons de contrôle de la température
6. Boutons de réglage du mot de passe

FONCTIONNEMENT

Branchez l'appareil, le voyant lumineux « OFF » s'allume. Votre appareil est maintenant prêt à être utilisé.

Fonction de charge sans fil

Placez le téléphone portable (équipé de la fonction de recharge sans fil) sur le symbole ((•)). Lorsqu'un bip retentit, le téléphone portable est actuellement en cours de charge.

Fonction de charge USB

L'appareil est équipé de deux ports USB. Lorsque l'appareil est branché à l'alimentation, vous pouvez recharger les appareils comme les téléphones portables, humidificateur et autres appareils externes.

Fonction réfrigérateur

Cette fonction comprend trois parties : un bac coulissant, un tiroir et une boîte à mot de passe.

1. Réglez la température souhaitée :
 - 1) Appuyez et maintenez enfoncés les boutons « + » et « - » simultanément ; l'affichage numérique se met à clignoter.
 - 2) Appuyez sur le bouton « + » / « - » pour régler la température de 4 à 14 °C.
 - 3) Appuyez sur le bouton « DOOR LOCK » (VERROUILLAGE DE LA PORTE) pour confirmer la température.
Alternativement, la température sera confirmée automatiquement sans aucune autre opération.
Remarque : la température recommandée pour une conservation optimale des aliments est de 9 °C.
2. Stockez des aliments :
 - 1) Le bac coulissant peut être utilisé pour stocker des fruits lavés (par exemple du raisin / des fraises).
 - 2) Le tiroir peut être utilisé pour stocker des aliments / fruits frais et des bouteilles / canettes de boissons.
 - 3) La boîte à mot de passe peut être utilisée pour stocker les aliments qui doivent être conservés au réfrigérateur et conservés exclusivement.
3. Définissez le mot de passe pour la zone de mot de passe :

Cette boîte dispose d'un verrouillage numérique par mot de passe, qui empêche les enfants d'entrer en contact avec les articles et protège votre « espace personnel ».

 - 1) Réinitialisation du mot de passe :

Le mot de passe initial est « 000 ». Pour réinitialiser le mot de passe, appuyez et maintenez enfoncés les boutons « N1 » et « N2 » simultanément ; l'affichage numérique se met à clignoter. Appuyez séparément sur le bouton « N1 », « N2 » et « N3 » pour choisir le numéro souhaité de 0 à 9. Appuyez sur le bouton « DOOR LOCK » (VERROUILLAGE DE LA PORTE) pour confirmer le mot de passe.
 - 2) Déverrouillage du mot de passe :

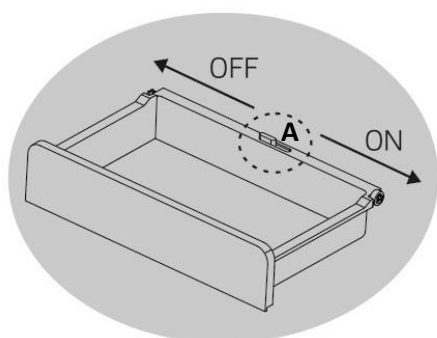
Appuyez sur le bouton « DOOR LOCK » (VERROUILLAGE DE LA PORTE) ; l'affichage numérique commence

à clignoter. Appuyez séparément sur le bouton « N1 », « N2 » et « N3 » pour saisir le mot de passe, puis appuyez sur le bouton « DOOR LOCK » (VERROUILLAGE DE LA PORTE). La boîte est maintenant déverrouillée et le voyant lumineux « ON » s'allume. Pour verrouiller la boîte, il suffit d'appuyer à nouveau sur le bouton « DOOR LOCK » (VERROUILLAGE DE LA PORTE) et le voyant lumineux « OFF » s'allume.

3) Erreur de mot de passe :

Lorsque le mot de passe n'est pas saisi correctement, l'affichage numérique affichera « Err » puis « 000 ». Veuillez saisir à nouveau le mot de passe correct. Si le mot de passe est saisi incorrectement trois fois de suite, le mot de passe sera verrouillé pendant 1 heure. Vous ne pouvez réinitialiser le mot de passe que pendant cette période.

Remarque : En cas de coupure de courant / de non utilisation, si la serrure ne peut pas être ouverte en entrant le mot de passe, allez directement au bas de la boîte de mot de passe et faites glisser l'interrupteur (A) vers le côté droit. La serrure peut être ouverte de force. Dans ce cas, veuillez faire glisser cet interrupteur vers la gauche et le remettre dans sa position initiale avant de brancher et d'utiliser la serrure normalement.



Mémoire de mise hors tension : Lorsque l'appareil est éteint et redémarré, utilisez-le selon le mot de passe précédemment défini.

Remarques concernant le stockage des aliments :

- Ne stockez pas d'aliments qui pourrissent facilement à basse température, comme les bananes, les fruits tropicaux découpés. Un refroidissement excessif entraînera une décoloration des aliments et une perte de leurs vitamines.
- Ne stockez pas d'aliments chauds dans les tiroirs réfrigérés. Cela entraînera une augmentation de la température à l'intérieur des tiroirs et affectera la fraîcheur des autres aliments.
- N'ouvrez pas fréquemment les tiroirs. Lorsqu'un tiroir est ouvert, de l'air chaud rentre dans le tiroir et la température à l'intérieur du tiroir augmente.
- Veuillez utiliser du film alimentaire ou des sachets pour fermer hermétiquement les récipients alimentaires, ou utilisez un récipient avec un couvercle pour stocker les aliments, afin d'éviter que l'humidité des aliments ne s'évapore et conserver les saveurs et les nutriments des aliments. Cela permet également de limiter les odeurs à l'intérieur des tiroirs.
- Les aliments comme les fruits et les légumes doivent être lavés et brossés avant d'être mis dans le tiroir.
- Les bouteilles doivent être rangées les unes contre les autres afin d'éviter qu'elles ne basculent lors de l'ouverture du tiroir.

CONSEILS POUR FAIRE DES ÉCONOMIES D'ÉNERGIE

- Utilisez l'appareil exclusivement dans un endroit frais et bien ventilé. Tenez l'appareil à l'écart de sources de chaleur et évitez de l'exposer à la lumière directe du soleil.
- Minimisez la fréquence d'ouverture des tiroirs ainsi que leur temps d'ouverture.
- Couvrez ou emballez les aliments à stocker.
- Évitez de stocker des boissons ou des aliments chauds dans les tiroirs réfrigérés.
- Ne remplissez pas trop les tiroirs. Laissez l'air circuler.
- Ne réglez pas la température sur un niveau trop bas. Plus la température réglée est basse, plus la consommation d'énergie est importante.

NETTOYAGE ET ENTRETIEN

AVERTISSEMENT : L'appareil ne doit pas être branché à l'alimentation lors du nettoyage. Risque de choc électrique !

Avant le nettoyage, veuillez débrancher l'appareil. Assurez-vous que vos mains sont sèches.

- Une fois l'appareil débranché de l'alimentation, utilisez un chiffon doux avec un produit nettoyant neutre pour nettoyer la surface, puis séchez.
- Ne vaporisez pas d'eau sur l'appareil. Nettoyez le panneau de contrôle et la prise USB avec un chiffon sec uniquement. Cela permet d'éviter les risques de choc électrique et de court-circuit.
- N'utilisez pas les matériaux suivants pour le nettoyage : agents nettoyants alcalins ou faiblement acides, nettoyants à base de poudres abrasives, différentes huiles acides, brosse dure, éponge ou brosse abrasives, eau chaude, etc
- Pour nettoyer le tiroir, utilisez un chiffon humide pour nettoyer la surface et séchez bien. Pour nettoyer le bac coulissant et la boîte à mot de passe, retirez-les de l'appareil, essuyez et séchez soigneusement.

Attention : il est strictement interdit de laver le fond de l'appareil avec de l'eau. Essuyez l'appareil avec un chiffon sec après le nettoyage pour éviter la rouille.

Nettoyage des joints de porte

Les joints de porte s'encrassent, vieillissent et s'endommagent facilement, réduisant ainsi le pouvoir réfrigérant de l'appareil. Veillez donc à ce qu'ils restent propres.

Lavez les joints de porte à l'eau et séchez-les bien. Ne laissez pas d'eau s'écouler dans l'appareil pour éviter les courts-circuits.

Arrêt de l'utilisation de l'appareil

Si vous cessez d'utiliser l'appareil pendant une longue période, il est préférable de débrancher l'appareil et de le nettoyer.

Remarque : Si vous avez débranché la fiche, il vous faudra attendre au moins 5 minutes avant de pouvoir la rebrancher. N'arrêtez pas l'appareil trop souvent.

Avertissements :

- Maintenez une ventilation non obstruée autour de l'appareil.
- N'endommagez pas le circuit frigorifique.

TRANSPORT DE L'APPAREIL

1. Retirez la fiche.
2. Retirez tous les aliments.
3. Fermez le tiroir et fixez la porte avec du ruban adhésif.

Attention ! Ne retournez jamais l'appareil. Lors du transport, conservez un angle de 45° maximum afin d'éviter d'avoir des problèmes avec le système de refroidissement.

SPÉCIFICATIONS TECHNIQUES

| | |
|---|-----------------|
| Tension nominale : | 220-240 V~ |
| Courant nominal : | 0,3 A |
| Fréquence nominale : | 50 Hz |
| Classe climatique : | ST |
| Réfrigérant : | R600a (16 g) |
| Protection contre les chocs électriques : | I |
| Agent de gonflement pour l'isolation : | Cyclopentane |
| Niveau de bruit | 35 dB(A) |
| Intensité du champ H max. | 40,21 dBuA/m@3m |
| Bandes de fréquence | 110-205MHz |

Classe climatique :

- Tempérée élargie (SN) : « Cet appareil de réfrigération est destiné à être utilisé à des températures ambiantes comprises entre 10°C et 32°C » ;
- Tempérée (N) : « Cet appareil de réfrigération est destiné à être utilisé à des températures ambiantes comprises entre 16°C et 32°C » ;
- Subtropicale (ST) : « Cet appareil de réfrigération est destiné à être utilisé à des températures ambiantes comprises entre 16°C et 38°C » ;
- Tropicale (T) : « Cet appareil de réfrigération est destiné à être utilisé à des températures ambiantes comprises entre 16°C et 43°C » ;

Remarque : Pour obtenir plus d'informations, scannez le QR code présent sur l'étiquette énergétique de l'appareil.

ANALYSE ET ÉLIMINATION DES DÉFAUTS SIMPLES

| Panne | Raison | Solution |
|--|---|---|
| Le compresseur ne peut pas fonctionner correctement mais le voyant de la serrure de la porte s'allume. | L'alimentation électrique est inférieure à 187 V. | Débranchez immédiatement l'appareil et réglez l'alimentation électrique sur la plage 187 V - 242 V. Si cela ne fonctionne pas, veuillez installer un régulateur de tension de plus de 2KVAAC. |
| Le compresseur démarre mais s'arrête au bout d'une minute et redémarre. | L'alimentation est supérieure à 242 V. | |
| Le compresseur fonctionne pendant une longue période mais l'appareil ne refroidit pas. | Fuite de réfrigérant. | Demandez l'aide d'un professionnel. |
| | Tuyau bouché. | |
| Il y a de l'air froid mais le compresseur ne s'arrête pas. | La porte est ouverte trop fréquemment. | Réduisez les temps d'ouverture de la porte. |
| | Il y a trop d'aliments dans la zone de refroidissement. | Retirez un peu d'aliments. |
| | La dissipation de la chaleur n'est pas bonne. | Laissez le flux d'air fonctionner correctement. |
| | Le capteur de température ne fonctionne pas correctement. | Demandez l'aide d'un professionnel. |
| L'appareil ne fonctionne pas et ne peut pas réfrigérer. | Fusible défectueux. | Changez le fusible. |
| | Panne de la carte mère. | Demandez l'aide d'un professionnel. |
| Trop de bruit. | Le tiroir réfrigérant n'est pas installé à plat. | Réglez l'appareil pour que le tiroir soit à plat. |
| | Une pièce est desserrée. | Serrez la pièce concernée. |

GARANTIE ET SERVICE APRÈS-VENTE

Nos appareils sont soumis à un contrôle de qualité strict avant d'être livrés. Si l'appareil a toutefois été endommagé lors de la production ou du transport en dépit des soins que nous lui donnons, retournez l'appareil au vendeur. En plus des droits juridiques, le client a la possibilité dans les limites de la garantie de déposer les réclamations suivantes:

Nous offrons une garantie de 2 ans pour l'appareil acheté à partir de la date de vente. En cas de produit défectueux, vous pouvez retourner directement au point de vente.

Les défauts dus à une utilisation non conforme de l'appareil et les dommages dus à une intervention ou réparation faite par une tierce personne ou dus à l'installation de pièces qui ne sont pas d'origine ne sont pas couverts par cette garantie. Conservez toujours votre reçu, car sans celui-ci vous ne pourrez réclamer aucune sorte de garantie. Les dommages causés par le non respect des instructions de ce manuel rendront la garantie caduque, Nous décline toute responsabilité en cas de dommages indirects. Nous décline toute responsabilité en cas de dégâts matériels ou de dommages corporels causés par une utilisation inappropriée ou si les instructions de sécurité n'ont pas été convenablement observées. Si les accessoires sont endommagés, cela ne signifie pas que toute la machine sera remplacée gratuitement. Dans de tels cas, veuillez contacter notre assistance. Des pièces brisées en verre ou en plastique sont toujours sujettes à des frais. Les défauts des consommables ou des pièces susceptibles de s'user, ainsi que le nettoyage, l'entretien ou la réparation desdites pièces ne sont pas couverts par la garantie et doivent donc être payés.

Les pièces détachées sont garanties 2 ans. Si vous souhaitez une pièce de rechange, veuillez contacter notre service client.

APPAREIL RESPECTUEUX DE L'ENVIRONNEMENT



Recyclage – Directive européenne 2012/19/EU

Ce symbole indique que le produit ne doit pas être jeté avec les ordures ménagères. Pour limiter les risques pour l'environnement et la santé entraînés par le rejet non contrôlé des déchets, recyclez ce produit pour promouvoir une réutilisation responsable de ses matériaux. Pour recycler votre produit, utilisez les réseaux de collecte de votre région ou prenez contact avec le revendeur du produit. Ce

dernier pourra vous aider à le recycler.

Pour les réparations effectuées par un professionnel et la commande de pièces détachées, veuillez contacter notre service client.

Fabriqué par : Emerio B.V.

Zomervaart 1A, 2033 DA Haarlem, The Netherlands

Service d'assistance téléphonique: +49 3222 1097 615

VEILIGHEIDSINFORMATIE

Voor gebruik dient u alle onderstaande instructies te lezen om letsel en schade te voorkomen en om de beste resultaten met het apparaat te bereiken. Bewaar deze handleiding op een veilige plek. Mocht u dit apparaat aan iemand anders overhandigen, dient u ook de gebruiksaanwijzing te overhandigen.

In geval van schade die wordt veroorzaakt doordat de gebruiker de instructies in deze gebruiksaanwijzing niet in acht heeft genomen, komt de garantie te vervallen. De fabrikant/importeur is niet aansprakelijk voor schade die wordt veroorzaakt door het niet in acht nemen van de gebruiksaanwijzing, door nalatig gebruik of gebruik dat niet in overeenstemming is met de bepalingen van deze gebruiksaanwijzing.

1. Lees en bewaar deze gebruiksaanwijzing. Opgelet: de afbeeldingen in de gebruiksaanwijzing zijn louter indicatief.
2. Dit toestel mag gebruikt worden door kinderen vanaf de leeftijd van 8 jaar en door personen met verminderde fysieke, zintuiglijke of mentale capaciteiten of met gebrek aan ervaring of kennis, indien zij onder het toezicht staan of gebruiksinstructies voor het veilig gebruik van dit toestel gekregen hebben en de mogelijke gevaren begrijpen. Kinderen mogen niet met dit toestel spelen. Kinderen die niet onder toezicht staan, mogen dit apparaat niet reinigen of onderhouden.
3. Kinderen tussen 3 en 8 jaar oud mogen koelapparaten vullen en legen.
4. Als het stroomsnoer beschadigd is, dan moet het vervangen worden door de fabrikant, diens dealer of een gekwalificeerde technicus om risico's te voorkomen.
5. **WAARSCHUWING:** Houd ventilatieopeningen in de behuizing van het apparaat of in de ingebouwde structuur vrij van belemmeringen.

6. **WAARSCHUWING:** Gebruik geen mechanische apparaten of andere middelen om het ontdooiproces te versnellen, dan deze aanbevolen door de fabrikant.
7. **WAARSCHUWING:** Beschadig het koelcircuit niet.
8. **WAARSCHUWING:** Gebruik geen elektrische apparaten in de opbergvakken van het apparaat tenzij ze van het type zijn dat wordt aanbevolen door de fabrikant.
9. Berg geen explosieve stoffen, zoals spuitbussen met een brandbaar drijfgas, in dit apparaat op.
10. Dit apparaat is bestemd voor huishoudelijk gebruik of gelijksoortige toepassingen, waaronder
 - kantines voor personeel in winkels, kantoren en een andere werkomgevingen;
 - boerderijen en door gasten in hotels, motels en andere types van huisvesting;
 - bed & breakfasts en soortgelijke omgevingen;
 - catering en soortgelijke groothandeltoepassingen.
11. **WAARSCHUWING:** Tijdens het plaatsen van het apparaat, zorg dat het snoer niet bekneld raakt of beschadigd wordt.
12. **WAARSCHUWING:** Plaats geen verschillende verlengsnoeren of stekkerdozen achter het apparaat.
13. Om voedselverontreiniging te vermijden, houd rekening met de volgende instructies:
 - De deur te lang open laten kan leiden tot een aanzienlijke toename van de temperatuur binnenin de vakken van het apparaat.
 - Maak de oppervlakken die met voedsel in aanraking komen en de toegankelijke afvoersystemen regelmatig schoon.
 - Maak de waterreservoirs schoon als ze langer dan 48 u niet werden gebruikt. Spoel het watersysteem dat op de watertoevoer is aangesloten als er gedurende 5 dagen geen water is doorgestroomd. (Alleen van toepassing voor waterdispenser en watertoevoersysteem)
 - Bewaar rauw vlees en vis in gepaste houders in de koelkast zodat ze niet met ander voedsel in aanraking komen of erop druppelen.

- Vriesvakken met twee sterren zijn geschikt voor het bewaren van reeds bevroren voedsel, het bewaren of maken van roomijs en het maken van ijsblokjes.
 - Vriesvakken met één, twee en drie sterren zijn niet geschikt voor het invriezen van vers voedsel.
 - Als het koelapparaat langere tijd leeg zal blijven, schakel het uit, ontdooi, reinig en veeg het apparaat droog en laat de deur open om vorming van schimmel in het apparaat te voorkomen.
14. Dit koelapparaat is niet bestemd om als inbouwtoestel te worden gebruikt.
15. Klimaatklasse:
- Subnormaal (SN): 'dit koelapparaat is bestemd om gebruikt te worden bij een omgevingstemperatuur tussen 10°C en 32°C';
 - Normaal (N): 'dit koelapparaat is bestemd om gebruikt te worden bij een omgevingstemperatuur tussen 16°C en 32°C';
 - Subtropisch (ST): 'dit koelapparaat is bestemd om gebruikt te worden bij een omgevingstemperatuur tussen 16°C en 38°C';
 - Tropisch (T): 'dit koelapparaat is bestemd om gebruikt te worden bij een omgevingstemperatuur tussen 16°C en 43°C'.
16. Dit koelapparaat is niet geschikt voor het invriezen van levensmiddelen.
17. Beschadig het snoer niet. Laat het apparaat niet op het snoer staan. Stap niet op het snoer.
18. Gebruik het snoer en de stekker niet wanneer beschadigd of versleten.
19. Houd de stekker stevig vast om het apparaat van de voeding te ontkoppelen. Trek niet aan het snoer, maar aan de stekker om het apparaat van de voeding te ontkoppelen. Haal de stekker uit het stopcontact voordat het apparaat wordt gereinigd of onderhouden om het risico op een elektrische schok te vermijden.

20. Houd uw hand uit de buurt van de spleet tussen de deur en het apparaat om beknelling van uw vingers te vermijden.
21. Houd kinderen uit de buurt van het apparaat tijdens het openen en sluiten van de deur om letsel te vermijden.
22. Plaats het apparaat uit de buurt van een warmtebron en vermijd direct zonlicht om een negatieve impact op de werking te vermijden.
23. Plaats het apparaat in een goed geventileerde ruimte. Laat een vrije ruimte van minstens 10 cm rondom het apparaat, waaronder de achterkant.
24. Voor een veilige werking van het apparaat wordt het aanbevolen om geen aansluiting, voedingsbron, magnetron of ander apparaat op het oppervlak van het apparaat te plaatsen. Gebruik geen elektrisch apparaat in het product om elektromagnetische storing of een ander ongeval te vermijden.
25. Plaats geen onstabiele items (zware voorwerpen of houders met water) bovenop het apparaat om letsel aan personen of elektrische lekkage te vermijden.
26. Bewaar of gebruik geen andere brandbare materialen rondom het apparaat.
27. Spuit geen water op het apparaat. Plaats het apparaat niet in een natte omgeving, dit kan een negatieve impact op de prestaties van de elektrische isolatie hebben.
28. Haal de stekker uit tijdens een stroomonderbreking of vóór reiniging. Steek de stekker pas na minstens 5 minuten opnieuw in het stopcontact om de compressor niet te beschadigen.
29. Het is niet toegestaan om het apparaat uit elkaar te halen of aan te passen om schade aan het koelcircuit te vermijden. Het apparaat mag alleen door een vakman worden gerepareerd.
30. Verwijder de deur, de afdichting en het rek wanneer het apparaat wordt afgedankt. Bewaar ze op een veilige plaats om te vermijden dat kinderen ermee spelen en letsel oplopen.

31. Houd het apparaat uit de buurt van een warmtebron wanneer het is afgedankt om een ongeval te vermijden.



32. **WAARSCHUWING!** Brandgevaar / ontvlambare materialen

33. Voor informatie over het installeren, hanteren, gebruiken, onderhouden, vervangen van de lamp (wanneer van toepassing), reinigen en afdanken van het apparaat, raadpleeg de onderstaande paragraaf van de handleiding.

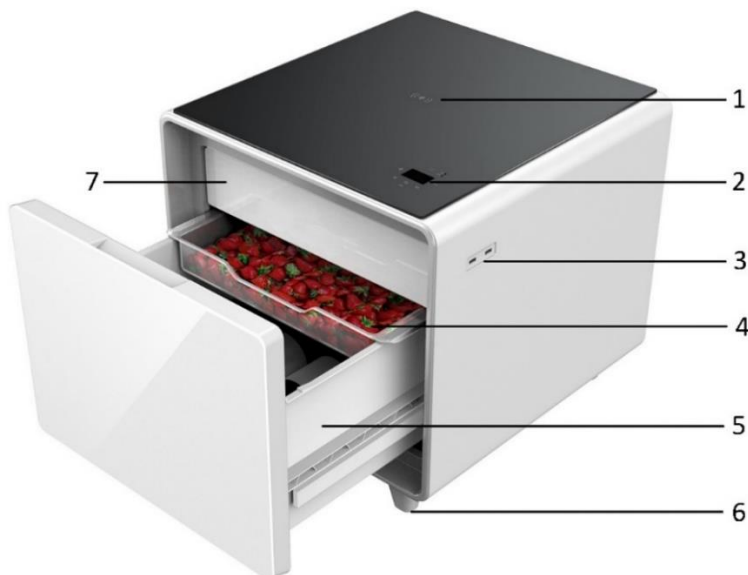
VOORBEREIDING VOOR HET EERSTE GEBRUIK

1. Verwijder alle verpakkingsmateriaal, waaronder schuimbasis en de schuimtape die de accessoires vasthouden.
2. Reinig het apparaat volgens de sectie "Reiniging en onderhoud".
3. Zorg dat het apparaat op een vlakke en schone ondergrond staat voordat de stekker in het stopcontact wordt gestoken. Laat het apparaat minstens 2 uur met rust en steek dan pas de stekker in het stopcontact om een normale werking van het apparaat te waarborgen.
4. Steek de stekker in het stopcontact om het apparaat te testen. Stop geen levensmiddelen in het apparaat. Laat het apparaat zonder inhoud werken.
Open de deur na 1 uur en controleer de temperatuur binnenin het apparaat. Als er een duidelijk koud gevoel binnenin waarneembaar is, betekent dit dat het apparaat normaal werkt. Stop levensmiddelen in het apparaat.

Opgelet:

- Plaats het apparaat op een vlakke ondergrond. Als u het op een hogere positie wilt plaatsen, kies voor een stabiel, hard en onbrandbaar oppervlak. Maak geen gebruik van de verpakkingschuim om het apparaat hoger te zetten.
- Plaats het apparaat niet in vochtige of natte ruimte. Verwijder spatwater en vuil om roest en een negatieve impact op de prestaties van de elektrische isolatie te vermijden.
- Plaats het apparaat niet in een te koude omgeving en gebruik het niet buitenshuis of in de regen.
- Plaats het apparaat uit de buurt van een warmtebron en vermijd direct zonlicht om een negatieve impact op de werking te vermijden.
- Plaats het apparaat in een goed geventileerde ruimte. Laat een vrije ruimte van minstens 10 cm rondom het apparaat, waaronder de achterkant.
- Kleine artikelen kunnen bovenop het apparaat worden geplaatst, dit mogen echter geen verwarmingstoestellen zijn.

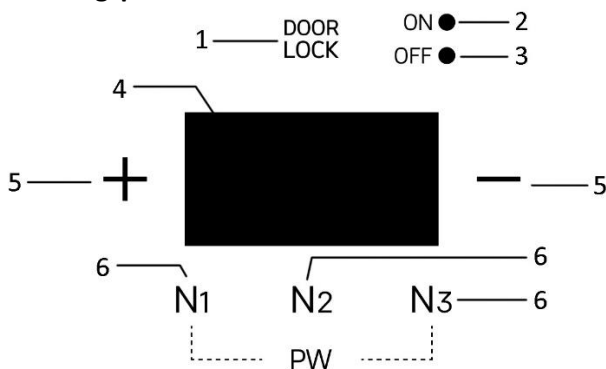
BESCHRIJVING VAN DE ONDERDELEN



1. Draadloos oplaadsymbool
2. Bedieningspaneel
3. USB-poorten
4. Schuifbak
5. Lade
6. Voetjes
7. Vak met wachtwoord

Opmerking: deze combinatie van lade, schuifbak en vak met wachtwoord leidt tot het meest efficiënte energieverbruik voor dit koelapparaat.

Bedieningspaneel



1. Vergrendeling-/ontgrendelingsknop voor het vak met wachtwoord
Wachtwoord bevestigen knop
Temperatuur bevestigen knop
2. "ON" (aan) controlelampje: ingeschakeld / vak met wachtwoord is ontgrendeld
3. "OFF" (uit) controlelampje: ingeschakeld / vak met wachtwoord is vergrendeld
4. Digitaal scherm
5. Temperatuurregelknoppen
6. Wachtwoord instellen knoppen

WERKING

Steek de stekker in het stopcontact en het "OFF" controlelampje brandt. Uw apparaat is nu klaar voor gebruik.

Draadloze oplaadfunctie

Leg de mobiele telefoon (voorzien van de draadloze oplaadfunctie) op het symbool ((•)). De mobiele telefoon start met opladen wanneer een geluidssignaal wordt gehoord.

USB-oplaadfunctie

Het product is voorzien van twee USB-poorten. Wanneer het apparaat is ingeschakeld, kunt u apparaten opladen, zoals een mobiele telefoon of een ander extern apparaat.

Koelkastfunctie

Deze functie omvat drie onderdelen: schuifbak, lade en vak met wachtwoord.

1. Stel uw gewenste temperatuur in.
 - 1) Druk en houd de knoppen '+' en '-' gelijktijdig ingedrukt. Het digitaal scherm start met knipperen.
 - 2) Druk op de knop '+' / '-' om de temperatuur tussen 4-14 °C in te stellen.
 - 3) Druk op de knop 'DOOR LOCK' om de temperatuur te bevestigen. De temperatuur wordt tevens zonder verdere handeling automatisch bevestigd.Opmerking: de aanbevolen temperatuur voor een optimale bewaring van het voedsel is 9 °C.
2. Levensmiddelen bewaren:
 - 1) De schuifbak kan worden gebruikt om gewassen fruit (bijv. druiven/aardbeien) te bewaren.
 - 2) De lade kan worden gebruikt om vers voedsel/fruit en flessen/blikken drank te bewaren.
 - 3) Het vak met wachtwoord kan worden gebruikt om voedsel vers achter slot te houden.
3. Het wachtwoord voor het vak instellen:

Dit vak is voorzien van een digitale wachtwoordvergrendeling om te vermijden dat kinderen de items kunnen aanraken en om uw 'persoonlijke ruimte' te beveiligen.

 - 1) Het wachtwoord terugzetten:

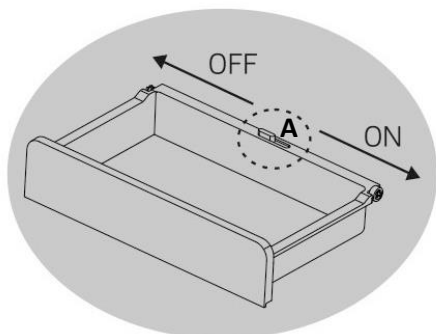
Het initieel wachtwoord is '000'. Om het wachtwoord te resetten, druk en houd de knoppen 'N1' en 'N2' gelijktijdig ingedrukt. Het digitaal scherm start met knipperen. Druk afzonderlijk op de knop 'N1', 'N2' en 'N3' om uw gewenst cijfer tussen 0 en 9 te kiezen. Druk op de knop 'DOOR LOCK' om het wachtwoord te bevestigen.
 - 2) Wachtwoord invoeren om te ontgrendelen:

Druk op de knop 'DOOR LOCK' en het digitaal scherm start met knipperen. Druk afzonderlijk op de knop 'N1', 'N2' en 'N3' om het wachtwoord in te voeren en druk vervolgens op de knop 'DOOR LOCK'. Het vak is nu ontgrendeld en het 'ON' controlelampje brandt. Om het vak te ontgrendelen, druk opnieuw op de knop 'DOOR LOCK' en het 'OFF' controlelampje brandt.

3) Wachtwoord is foutief:

Wanneer het wachtwoord foutief is ingevoerd, geeft het digitaal scherm 'Err' en vervolgens '000' weer. Voer vervolgens het juiste wachtwoord in. Als het wachtwoord drie keer na elkaar verkeerd wordt ingevoerd, zal het wachtwoord gedurende 1 uur vergrendeld zijn. Tijdens deze periode kunt u het wachtwoord alleen nog terugzetten.

Opmerking: In geval van een stroomuitval/uitschakeling kan het slot niet worden geopend wanneer het wachtwoord wordt ingevoerd. Ga in dit geval naar de onderkant van het vak en schuif de schakelaar (A) naar rechts. Het slot kan dan handmatig worden geopend. Schuif deze schakelaar vervolgens naar links, naar zijn originele positie, voordat de stekker in het stopcontact wordt gestoken en gebruik het slot vervolgens opnieuw zoals normaal.



Uitschakelingsgeheugen: Wanneer het apparaat is uitgeschakeld en opnieuw wordt ingeschakeld, gebruik het volgens het eerder ingesteld wachtwoord.

Opmerkingen over het bewaren van voedsel:

- Bewaar geen voedsel die op een lage temperatuur snel bedorven kunnen raken, zoals bananen, gesneden tropisch fruit. Overmatig koelen leidt tot het verkleuren van voedsel en afname van vitamines.
- Doe geen warm voedsel in de koellade. De temperatuur binnenin de lade zal toenemen en een negatieve impact op de versheid van ander voedsel hebben.
- Open de lade niet te vaak. Wanneer de lade open is, gaat er warme lucht de lade binnen waardoor de interne temperatuur toeneemt.
- Stop het voedsel in plastic folie of zakje, of in een bakje met een deksel om verdamping van vocht te vermijden en de smaak en voedingsstoffen te behouden. De geurvorming binnenin de lade wordt tevens beperkt.
- Was en schrob voedsel, zoals groente en fruit, schoon voordat ze in de lade worden gestopt.
- Zorg dat de flessen stevig op hun plaats zitten zodat ze tijdens het openen van de lade niet kantelen.

TIPS VOOR ENERGIEBESPARING

- Gebruik het apparaat in een koele en goed geventileerde ruimte. Houd het product uit de buurt van een warmtebron en stel het niet bloot aan direct zonlicht.
- Houd de deur zo kort en weinig mogelijk open.
- Bedek of verpak het voedsel voor opslag.
- Laat warm voedsel of drank eerst afkoelen voordat u deze in de koellade plaatst.
- Vul de lade nooit te veel zodat de lucht vrij rond kan circuleren.
- Stel de temperatuur niet te laag in. Hoe lager de ingestelde temperatuur, hoe hoger het stroomverbruik.

REINIGING EN ONDERHOUD

WAARSCHUWING: Zorg dat de stekker tijdens het reinigen niet in het stopcontact zit. Gevaar op elektrische schokken!

Haal de stekker uit het stopcontact voordat u het apparaat reinigt. Zorg dat uw handen droog zijn.

- Nadat de stekker uit het stopcontact is gehaald, maak de buitenkant schoon met een zachte doek en een neutraal reinigingsmiddel, en veeg het vervolgens droog.
- Spuit geen water op het apparaat. Reinig het bedieningspaneel en de USB-poort alleen met een droge doek. Er is risico op elektrische schokken en kortsluiting!
- Maak het apparaat niet schoon met de volgende reinigingsmiddelen: zwak zure of alkalische reinigingsmiddelen, schuurpoeder, alcohol, verschillende zure oliën, harde borstel, schrobborstel, heet water, etc.

- Maak de buitenkant van de lade schoon met een vochtige doek en veeg vervolgens droog. Om de schuifbak en het vak met wachtwoord te reinigen, trek ze uit het apparaat, reinig en veeg ze vervolgens grondig droog.

Waarschuwing: het is niet toegestaan om de bodem van het apparaat met water te reinigen. Veeg het apparaat na reiniging af met een droge doek om roestvorming te vermijden.

De deurafdichting reinigen

De deurafdichting kan snel vuil worden, verslijten of beschadigd raken. Dit zorgt voor lagere koelprestaties. Houd het aldus schoon.

Maak de deurafdichting schoon met water en veeg vervolgens grondig droog. Zorg dat er geen water in het apparaat stroomt om kortsluiting te vermijden.

Het apparaat niet langer gebruiken

Als u denkt het apparaat langere tijd niet te gebruiken, haal de stekker uit het stopcontact en maak het apparaat schoon.

Opmerking: Als de stekker uit het stopcontact is gehaald, wacht minstens 5 minuten om de stekker opnieuw op de voeding aan te sluiten. Schakel het apparaat niet te vaak uit.

Waarschuwingen:

- Zorg voor voldoende ventilatie rondom het apparaat.
- Beschadig het koelcircuit niet.

HET APPARAAT TRANSPORTEREN

1. Trek de stekker uit het stopcontact.
2. Verwijder al het voedsel.
3. Sluit de ladedeur en zet het vast met plakband.

Opgelet! Draai het apparaat nooit ondersteboven. Kantel het apparaat tijdens het transport nooit meer dan 45 graden om problemen aan het koelsysteem te vermijden.

TECHNISCHE GEGEVENS

| | |
|---|----------------|
| Nominale spanning: | 220-240V~ |
| Nominale stroom: | 0,3A |
| Nominale frequentie: | 50Hz |
| Klimaatklasse: | ST |
| Koelmiddel: | R600a(16g) |
| Bescherming tegen elektrische schokken: | I |
| Isolatie-blaasgas: | Cyclopentaan |
| Geluidsniveau | 35dB(A) |
| Max H-veldsterkte | 40.21dBuA/m@3m |
| Frequentiebereik | 110-205MHz |

Klimaatklasse:

- Subnormaal (SN): 'dit koelapparaat is bestemd om gebruikt te worden bij een omgevingstemperatuur tussen 10°C en 32°C';
- Normaal (N): 'dit koelapparaat is bestemd om gebruikt te worden bij een omgevingstemperatuur tussen 16°C en 32°C';
- Subtropisch (ST): 'dit koelapparaat is bestemd om gebruikt te worden bij een omgevingstemperatuur tussen 16°C en 38°C';
- Tropisch (T): 'dit koelapparaat is bestemd om gebruikt te worden bij een omgevingstemperatuur tussen 16°C en 43°C';

Opmerking: Voor meer informatie over de gegevens, scan de QR-code op het energielabel.

PROBLEEMOPLOSSING

| Probleem | Oorzaak | Oplossing |
|--|--|--|
| De compressor werkt niet zoals het hoort maar het controlelampje voor de deurvergrendeling brandt. | De netvoeding is lager dan 187 V. | Haal de stekker onmiddellijk uit het stopcontact en gebruik een netvoeding met een bereik tussen 187 V- 242 V. Als het apparaat nog steeds niet naar behoren werkt, installeer een 2KVAAC spanningsregelaar. |
| De compressor start, stopt na één minuut en start opnieuw. | De netvoeding is meer dan 242 V. | |
| De compressor werkt gedurende een lange tijd maar het apparaat koelt niet. | Er lekt koelmiddel. | Neem contact op met een vakman. |
| | De leiding is verstopt. | |
| Er is koude lucht maar de compressor stopt niet. | De deur is te vaak geopend. | Open de deur minder vaak. |
| | De koelkast zit te vol. | Haal een hoeveelheid levensmiddelen uit de koelkast. |
| | De verwarming wordt niet goed afgevoerd. | Zorg voor voldoende luchtcirculatie. |
| | De temperatuursensor werkt niet zoals het hoort. | Neem contact op met een vakman. |
| Het apparaat werkt niet en koelt niet. | Zekering is doorgeslagen. | Vervang de zekering. |
| | Moederbord is defect. | Neem contact op met een vakman. |
| Te veel lawaai. | De koellade staat niet vlak | Pas het apparaat aan zodat de lade vlak is. |
| | Er zit een onderdeel los. | Zet het onderdeel vast. |

GARANTIE EN KLANTENSERVICE

Vóór de levering worden onze apparaten streng gecontroleerd. Indien het toestel ondanks alle zorg bij de productie of tijdens het transport beschadigd werd, moet u het naar de handelaar terugbrengen. Naast het wettelijke recht op waarborg heeft de klant recht op de volgende garantieclaim:

Wij geven een garantie van 2 jaar op het toestel, te beginnen met de koopdatum. Indien u een defect product heeft, kunt u rechtstreeks terug gaan naar het aankooppunt.


Gebreken die het gevolg zijn van ondeskundig gebruik van het toestel, fouten tijdens ingrepen en reparaties door derden of door de inbouw van vreemde onderdelen, vallen niet onder deze garantie. Bewaar altijd uw aankoopnota, zonder aankoopnota kunt u geen aanspraak maken op enige vorm van garantie. Bij schade veroorzaakt door het niet opvolgen van de gebruiksaanwijzing vervalt het recht op garantie. Voor vervolgschade die hieruit ontstaat kunnen wij niet verantwoordelijk gehouden worden. Voor materiële schade of persoonlijk letsel veroorzaakt door ondeskundig gebruik of het niet opvolgen van de veiligheidsvoorschriften zijn wij niet aansprakelijk. In dergelijke gevallen vervalt iedere aanspraak op garantie. Schade aan accessoires of onderdelen betekend niet dat het gehele apparaat zal worden vervangen. Afgebroken glazen of kunststof onderdelen of accessoires vallen niet onder de garantie en zullen tegen vergoeding vervangen kunnen worden. Defecten aan hulpstukken of aan slijtage onderhevige onderdelen, alsmede reiniging, onderhoud of de vervanging van slijtende delen vallen niet onder de garantie en zullen dus in rekening gebracht worden.

De garantieperiode voor de reserveonderdelen is 2 jaar. Als vervanging nodig is, neem contact op met onze klantenservice.

MILIEUVRIENDELIJKE AFVALVERWERKING



Recycling – Europese Richtlijn 2012/19/EU

Deze markering betekent dat dit product niet samen met ander huishoudelijk afval mag worden afgedankt. Om het milieu en de volksgezondheid niet in gevaar te brengen en het hergebruik van grondstoffen te bevorderen, moet dit product op verantwoordelijke wijze worden afgevoerd. Lever  verbruikte apparatuur a.u.b. in bij de hiervoor bestemde inzamelpunten of bij de winkel waar het product was aangeschaft. Zij zullen dit product accepteren voor milieuvriendelijke afvalverwerking.

Voor een professionele reparatie en het bestellen van reserveonderdelen, neem contact op met onze klantenservice.

Geproduceerd door: Emerio B.V.
Zomervaart 1A, 2033 DA Haarlem, The Netherlands

Service-hotline: +49 3222 1097 615

WAŻNE UWAGI DOTYCZĄCE BEZPIECZEŃSTWA

Aby nie dopuścić do urazów lub uszkodzeń oraz aby maksymalnie wykorzystać możliwości urządzenia, przed rozpoczęciem jego użytkowania należy przeczytać wszystkie poniższe zalecenia. Niniejszą instrukcję należy przechowywać w bezpiecznym miejscu. W przypadku przekazania lub odstąpienia komuś tego urządzenia, do urządzenia należy dołączyć również tę instrukcję.

W przypadku uszkodzenia spowodowanego nieprzestrzeganiem przez użytkownika zaleceń podanych w niniejszej instrukcji gwarancja nie ma zastosowania. Producent/importer nie ponosi odpowiedzialności za szkody spowodowane nieprzestrzeganiem podanych w instrukcji zaleceń, zaniedbaniami oraz użytkowaniem w sposób niezgodny z wymaganiami opisanymi w instrukcji.

1. Prosimy przeczytać i zachować tę instrukcję. Uwaga: Ilustracje prezentowane w instrukcji mają charakter wyłącznie orientacyjny.
2. To urządzenie może być obsługiwane przez dzieci w wieku 8 lat i starsze, osoby z pewnym upośledzeniem fizycznym, czuciowym lub umysłowym, a także osoby niemające doświadczenia, jeśli udzielono im instrukcji w zakresie bezpiecznego używania urządzenia, obsługa urządzenia odbywa się pod nadzorem i osoby te znają zagrożenia z tym związane. Urządzenie nie służy do zabawy przez dzieci. Czyszczenie oraz obsługa tego urządzenia nie powinny być dokonywane przez dzieci bez nadzoru.
3. Dzieci w wieku od 3 do 8 lat mogą wkładać do urządzeń chłodzących produkty oraz wyjmować je z nich.
4. Jeżeli przewód zasilający jest uszkodzony, musi być wymieniony przed producenta lub autoryzowany serwis lub wykwalifikowaną osobę celem uniknięcia niebezpieczeństwa.

5. **OSTRZEŻENIE:** Należy pilnować, aby otwory wentylacyjne w obudowie urządzenia lub w części wbudowanej nie były zapchane lub zasłonięte.
6. **OSTRZEŻENIE:** Z wyjątkiem urządzeń zalecanych przez producenta, nie należy używać jakichkolwiek urządzeń mechanicznych w celu przyspieszenia procesu rozmrażania.
7. **OSTRZEŻENIE:** Należy uważać, aby nie uszkodzić obwodu czynnika chłodniczego.
8. **OSTRZEŻENIE:** W komorach do przechowywania produktów spożywczych w urządzeniu nie należy używać jakichkolwiek urządzeń elektrycznych, chyba że są to urządzenia typu zalecanego przez producenta.
9. W urządzeniu nie należy przechowywać jakichkolwiek substancji o właściwościach wybuchowych, takich jak np. puszki z łatwopalnymi aerozolami.
10. Urządzenie jest przeznaczone do zastosowań domowych i podobnych, np.:
 - kuchenki pracownicze w sklepach, biurach i innych obiektach pracowniczych;
 - domy na wsi oraz pokoje w hotelach, motelach i innych obiektach mieszkaniowych;
 - obiekty typu nocleg ze śniadaniem;
 - catering i podobne zastosowania niehandlowe.
11. **OSTRZEŻENIE:** Podczas ustawiania urządzenia należy dopilnować, aby przewód zasilający nie został przytrzaśnięty lub uszkodzony.
12. **OSTRZEŻENIE:** Nie należy umieszczać wielu przenośnych gniazdek-kontaktów lub przenośnych zasilaczy z tyłu urządzenia.
13. Aby nie dopuścić do zanieczyszczenia żywności, należy pamiętać o następujących kwestiach:
 - Długotrwałe otwarcie drzwi może spowodować znaczny wzrost temperatury w komorach urządzenia.
 - Powierzchnie mogące mieć kontakt z żywnością oraz dostępne układy odprowadzania wody należy regularnie czyścić.

- Jeśli zbiorniki na wodę nie były używane przez 48 h; instalację wodną podłączoną do źródła wody należy przepłukać jeśli woda nie była pobierana przez 5 dni. (Dotyczy wyłącznie dystrybutora wody i systemu wlotu wody)
 - Surowe mięso i ryby należy przechowywać w odpowiednich pojemnikach w lodówce, tak aby nie stykały się z innymi artykułami spożywczymi i nie kapały na nie.
 - Dwugwiazdkowe komory na mrożonki nadają się do przechowywania mrozonek, przechowywania lub robienia lodów oraz robienia kostek lodu.
 - Komory jedno-, dwu- i trzy- gwiazdkowe nie nadają się do zamrażania świeżych artykułów spożywczych.
 - Jeśli lodówka zostanie pozostawiona na dłuższy czas pusta, urządzenie należy wyłączyć, rozmrozić, wyczyścić i wysuszyć. Należy pozostawić drzwiczki otwarte, aby w urządzeniu nie zbierała się pleśń.
14. To urządzenie chłodnicze nie jest przeznaczone do zabudowy.
15. **Klasa klimatyczna:**
- Rozszerzona umiarkowana (SN): „to urządzenie chłodnicze jest przeznaczone do używania w temperaturze otoczenia w przedziale od 10°C do 32°C”;
 - Umiarkowana (N): „to urządzenie chłodnicze jest przeznaczone do używania w temperaturze otoczenia w przedziale od 16°C do 32°C”;
 - Subtropikalna (ST): „to urządzenie chłodnicze jest przeznaczone do używania w temperaturze otoczenia w przedziale od 16°C do 38°C”;
 - Tropikalna (T): „to urządzenie chłodnicze jest przeznaczone do używania w temperaturze otoczenia w przedziale od 16°C do 43°C”.
16. To urządzenie chłodnicze nie nadaje się do zamrażania artykułów spożywczych.

17. Nie należy uszkadzać przewodu zasilającego. Nie zostawiaj urządzenia na przewodzie zasilającym. Nie należy stawać na przewód zasilający.
18. Przewód zasilający i wtyczka nie mogą być używane, gdy są uszkodzone lub zużyte.
19. Trzymaj mocno wtyczkę i odłącz bezpośrednio urządzenie. Nie ciągnąć za przewód zasilający, by wyjąć wtyczkę z kontaktu. Wtyczkę przewodu zasilającego urządzenia należy wyciągnąć przed czyszczeniem i konserwacją, by uniknąć porażenia prądem.
20. Nie wkładać ręki w wąską szczelinę między drzwiami i urządzeniem, by nie uszkodzić palców.
21. Przy otwieraniu i zamykaniu drzwi urządzenia należy pilnować, by obok nie było dzieci, by nie wyrządzić im szkody.
22. Urządzenie należy umieścić z dala od źródła ciepła i unikać bezpośrednich promieni słonecznych, może to szkodliwie wpłynąć na jego skuteczność.
23. Urządzenie należy umieścić w dobrze wentylowanym pomieszczeniu. Wokół urządzenia, również z tyłu, należy pozostawić przestrzeń ponad 10 cm.
24. Ze względów bezpieczeństwa, zaleca się nie umieszczać kontaktów, zasilaczy, kuchenek mikrofalowych i innych urządzeń na powierzchni produktu. Aby uniknąć zakłóceń elektromagnetycznych lub innych wypadków, nie należy używać urządzeń elektrycznych wewnątrz urządzenia.
25. Nie umieszczać niestabilnych przedmiotów (ciężkich przedmiotów lub pojemników z wodą) na górze urządzenia, może to spowodować urazy osób lub upływ prądu.
26. Nie przechowywać ani nie używać benzyny ani innych łatwopalnych materiałów wokół urządzenia.
27. Na urządzenie nie należy rozpylać wody. Urządzenia nie należy ustawiać w miejscu wilgotnym. W przeciwnym razie może to wpłynąć na skuteczność izolacji elektrycznej.

28. Wtyczkę należy wyciągnąć w przypadku awarii prądu lub czyszczenia. Podłączyć urządzenie co najmniej 5 minut później w razie uszkodzenia sprężarki.
29. Bezwzględnie zabrania się rozmontowywania lub przerabiania urządzenia. Nie wolno też dopuścić do uszkodzenia przewodów chłodniczych. Naprawy produktu muszą być wykonywane przez profesjonalistów.
30. Przed wyrzuceniem urządzenia należy wyjąć drzwi, uszczelki i kratkę. Umieścić je w odpowiednim miejscu, by uniknąć wypadków w razie zabawy dzieci z urządzeniem.
31. Po rozłożeniu na części przechowywać urządzenie z dala od źródeł ognia.



32. **OSTRZEŻENIE!** Ryzyko pożaru / materiały łatwopalne
33. Informacje dotyczące instalacji, przestawiania, użytkowania, serwisowania, wymiany żarówki (w stosownych przypadkach), czyszczenia i utylizacji urządzenia podano w poniższej części instrukcji.

PRZYGOTOWANIE PRZED PIERWSZYM UŻYCIEM

1. Prosimy usunąć wszystkie materiały opakowaniowe, w tym podstawę piankową i taśmę piankową mocującą akcesoria.
2. Urządzenie należy wyczyścić zgodnie z opisem w części „Czyszczenie i konserwacja”.
3. Nie podłączać urządzenia dopóki nie jest wyczyszczone i ustawione na płasko. Po ustawieniu odczekać około 2 godziny, włączyć zasilanie, by upewnić się, że urządzenie działa poprawnie.
4. Podłączyć urządzenie do kontaktu, w celu wykonania próbnej obsługi. Do urządzenia nie należy wkładać produktów spożywczych. Włączyć bez obciążenia.
Otworzyć drzwi po godzinie i sprawdzić temperaturę wewnątrz urządzenia. Jeśli wewnątrz odczuwa się chłód, oznacza to, że urządzenie działa poprawnie. Do urządzenia włożyć produkty spożywcze.

Uwaga:

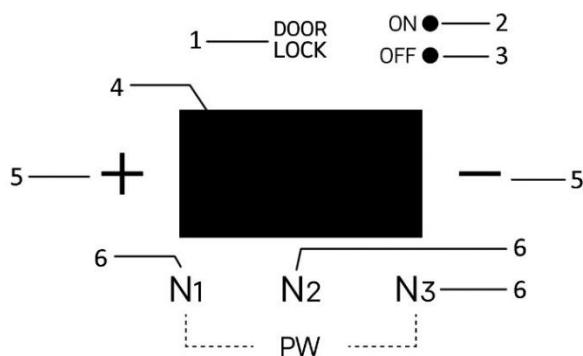
- Urządzenie należy ustawić na płaskiej powierzchni. Jeśli urządzenie ma znajdować się na wysokości, należy wybrać stabilnej, twardej i niepalnej podkładce. Nie używać pianki opakowaniowej urządzenia do podkładania.
- Nie umieszczać urządzenia w wilgotnych miejscach, w których można je pochłapać. Wodę i brud należy usuwać na czas, by uniknąć tworzenia się rdzy i szkodliwym wpływem na skuteczność izolacji elektrycznej.
- Nie umieszczać urządzenia w zbyt chłodnym środowisku i nie używać go na zewnątrz lub w deszczu.
- Urządzenie należy umieścić z dala od źródeł ciepła i unikać bezpośrednich promieni słonecznych, może to szkodliwie wpłynąć na jego skuteczność.
- Urządzenie należy ustawić w przewiewnym pomieszczeniu. Wokół urządzenia, również z tyłu, należy pozostawić przestrzeń ponad 10 cm.
- Niewielkie artykuły codziennego użytku można ustawiać na górze obudowy, lecz nie urządzeń grzejących.

OPIS CZĘŚCI

1. Symbol ładowania bezprzewodowego
2. Panel sterowania
3. Porty USB
4. Wsuwana tacka
5. Szuflada
6. Stopa
7. Pojemnik zabezpieczony hasłem

Uwaga: niniejsze połączenie szuflady, wysuwanej tacki i pojemnika zabezpieczonego hasłem prowadzi do maksymalnie efektywnego wykorzystania energii w urządzeniu chłodniczym.

Panel sterowania



1. Przycisk blokowania/odblokowania do skrzynki hasła
Przycisk potwierdzenia hasła
Przycisk potwierdzenia temperatury
2. Światło kontrolki „ON”: zasilanie jest włączone / skrzynka hasła jest odblokowana
3. Światło kontrolki „OFF”: zasilanie jest włączone / skrzynka hasła jest zablokowana
4. Wyświetlacz cyfrowy
5. Przyciski sterowania temperaturą
6. Przyciski ustawiania hasła

UŻYTKOWANIE

Podłącz urządzenie do gniazdka, zapali się światło kontrolki „OFF”. Urządzenie jest gotowe do użycia.

Funkcja ładowania bezprzewodowego

Umieść telefon komórkowy (wyposażony w funkcję bezprzewodowego ładowania) na symbolu ((•)) Gdy usłyszysz sygnał dźwiękowy, oznacza to, że telefon komórkowy ładuje się.

Funkcja ładowania przez USB

Są dwa porty USB. Gdy urządzenie jest podłączone do zasilania, użytkownik może ładować urządzenia takie jak telefon komórkowy, nawilżacz i inne zewnętrzne urządzenia.

Funkcja lodówki

Funkcja ta obejmuje trzy części: wysuwaną tackę, szufladę i skrzynkę hasła.

1. Ustaw żadaną temperaturę:
 - 1) Wcisnąć i przytrzymać jednocześnie przyciski „+” i „-”, wyświetlacz cyfrowy zacznie migać.
 - 2) Przycisk „+” / „-” pozwala ustawić temperaturę od 4-14 °C.
 - 3) Wcisnąć przycisk „DOOR LOCK”, by potwierdzić temperaturę. Temperatura będzie potwierdzona automatycznie, bez dodatkowych działań.

Uwaga: zalecana temperatura optymalnego przechowywania produktów spożywczych wynosi 9°C.
2. Przechowywanie produktów spożywczych:
 - 1) Wysuwana tacka może służyć do przechowywania umytych owoców (np. winogron/truskawek).
 - 2) Szuflada powinna być stosowana do przechowywania świeżych produktów spożywczych/owoców oraz butelek/puszek z napojami.
 - 3) Skrzynka hasła może być używana do przechowywania produktów spożywczych, które muszą być przechowywane w chłodzie i są zastrzeżone dla jednego użytkownika.
3. Ustawić hasło w skrzynce hasła.

Skrzynka ta posiada blokadę cyfrową z hasłem, która uniemożliwia dzieciom dostanie się do artykułów i chroni „prywatną przestrzeń” użytkownika.

 - 1) Resetowanie hasła:

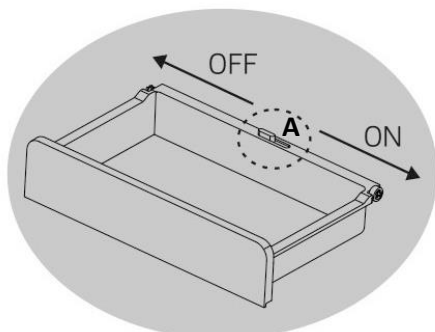
Początkowe hasło to „000”. Aby zresetować hasło, wcisnąć i przytrzymać jednocześnie przyciski „N1” i „N2”, wyświetlacz cyfrowy zacznie migać. Wcisnąć oddzielnie przycisk „N1”, „N2” i „N3”, by wybrać żadaną cyfrę od 0-9. Wcisnąć przycisk „OK”, by potwierdzić ustawioną temperaturę.
 - 2) Odblokowanie hasła:

Wcisnąć przycisk „DOOR LOCK”, wyświetlacz cyfrowy zacznie migać. Wcisnąć oddzielnie przycisk „N1”, „N2” i „N3”, by wpisać hasło a następnie wcisnąć przycisk „DOOR LOCK”. Skrzynka jest teraz odblokowana a światło kontrolki „ON” zaświeci się. Aby zablokować skrzynkę, wystarczy wcisnąć ponownie „DOOR LOCK” a światło kontrolki „OFF” zaświeci się.

3) Błąd hasła:

Gdy hasło nie jest poprawnie wpisane, wyświetlacz cyfrowy wyświetli „Err” a następnie „000”. Proszę ponownie wpisać poprawne hasło. Jeśli hasło nie jest poprawnie wpisane trzy razy z rzędu, będzie ono zablokowane przez godzinę. Możesz zresetować hasło w ciągu tego czasu.

Uwaga: W przypadku awarii prądu, jeśli blokady nie można otworzyć wpisując hasło, na spodzie skrzynki hasła po prawej stronie znajduje się przełącznik (A), który należy przesunąć. Blokady może być sforsowana. W takim przypadku przesunąć ten przełącznik w lewo i obrócić w oryginalną pozycję przed włączeniem do gniazdka i użyciem normalnej blokady.



Wyłączenie pamięci: Gdy urządzenie jest wyłączone i ponownie uruchomione, używać go z uprzednio ustawionym hasłem.

Uwagi dotyczące przechowywania produktów spożywczych:

- Nie należy w nich przechowywać produktów, które łatwo psują się w niskich temperaturach, takich jak banany lub owoce tropikalne. Zbyt silne schłodzenie powoduje, że produkty mogą stracić kolor i część witamin.
- Do szuflady chłodzącej nie należy wkładać produktów gorących, ponieważ spowoduje to wzrost temperatury w urządzeniu, co wpłynie na świeżość pozostałych produktów.
- Szuflady nie należy często otwierać. Gdy szuflada jest otwarta, napływa do niej gorące powietrze, przez co temperatura w szufladzie podnosi się.
- Aby nie dopuścić do odparowywania z produktów wilgoci i zachować ich smak oraz wartości odżywcze, prosimy zamknąć pojemniki z produktami folią plastikową lub woreczkiem plastikowym; ewentualnie, do przechowywania produktów spożywczych można też użyć pojemników z przykrywkami. Takie postępowanie może też zmniejszyć zapachy pojawiające się w szufladzie.
- Produkty takie jak warzywa i owoce należy przed włożeniem do szuflady dokładnie umyć.
- Butelki należy ustawiać ciasno obok siebie, aby nie wywracały się przy otwieraniu szuflady.

OSZCZĘDNOŚĆ ENERGII – WSKAZÓWKI

- Urządzenie należy ustawić w chłodnym i przewiewnym miejscu. Urządzenie należy trzymać z dala od źródeł ciepła i należy je chronić przed bezpośrednim nasłonecznieniem.
- Należy do minimum ograniczyć częstotliwość i czas otwierania drzwiczek.
- Przechowywane produkty spożywcze należy przykrywać lub w pakować.
- Nigdy nie należy wkładać do szuflady chłodzących gorących produktów lub napojów przed ich schłodzeniem.
- Nigdy nie należy przepelniać szuflady; należy zadbać o to, aby mogło w nich krążyć powietrze.
- Nie należy nastawić temperatury na zbyt niską wartość. Im niższa ustawiona temperatura, tym wyższe zużycie energii.

CZYSZCZENIE I KONSERWACJA

OSTRZEŻENIE: Podczas czyszczenia urządzenie nie może być podłączone do zasilania. Niebezpieczeństwo porażenia prądem!

Przed czyszczeniem należy odłączyć urządzenie od zasilania. Upewnić się, że ręce są suche.

- Po odłączeniu urządzenia od zasilania należy umyć jego powierzchnię miękką ściereczką z obojętnym płynem czyszczącym, a następnie wysuszyć.
- Na urządzenie nie należy rozpylać wody. Panel sterowania, porty USB należy czyścić tylko suchą ściereczką. Prosimy uważać na ryzyko porażenia prądem i zwarcia!

- Do czyszczenia nie należy używać następujących produktów: środki czyszczące o odczynie lekko kwaśnym lub alkalicznym, proszek do szorowania, alkohol, różne kwaśne oleje, szorstkie szczotki, druciaki, gorąca woda itp.
- Do czyszczenia powierzchni szuflady używać wilgotnej szmatki i odczekać aż wyschnie. Aby wyczyścić tackę wysuwaną i skrzynkę, wyciągnąć je z urządzenia i dokładnie wytrzeć i wysuszyć.

Ostrzeżenie: kategorycznie zabrania się mycia spodu urządzenia wodą. Wytrzeć urządzenie suchą szmatką po czyszczeniu, by uniknąć powstawania rdzy.

Czyszczenie uszczelki drzwiczek

Uszczelki drzwiczek łatwo się brudzą, starzeją się i ulegają uszkodzeniu, przez co spada wydajność chłodzenia, prosimy więc utrzymywać je w czystości.

Aby dokładnie umyć uszczelki drzwiczek, wystarczy zwykła woda. Uważać, by do urządzenia nie dostała się woda i nie spowodowała spięcia.

Zaprzestanie używania urządzenia

Jeśli użytkownik nie będzie przez dłuższy czas korzystał z urządzenia, lepiej jest odłączyć je od zasilania i wyczyścić.

Uwaga: Po wyjęciu wtyczki z kontaktu należy odczekać co najmniej 5 minut zanim będzie można włożyć wtyczkę do kontaktu z powrotem. Nie należy zbyt często wyłączać urządzenia.

Ostrzeżenia:

- Uważać, by wokół urządzenia był przewiew.
- Należy uważać, aby nie uszkodzić obwodu czynnika chłodniczego.

TRANSPORT URZĄDZENIA

1. Wyjąć wtyczkę.
2. Wyjąć wszystkie produkty spożywcze.
3. Zamknąć drzwiczki szuflady i również zamocować je taśmą.

Ostrożnie! Niezależnie od okoliczności, urządzenia nie wolno odwracać do góry nogami. W czasie transportu, aby nie dopuścić do problemów z instalacją chłodzącą, produkt może być przechylony pod kątem nie większym niż 45 stopni.

SPECYFIKACJA TECHNICZNA

| | |
|----------------------------------|----------------|
| Napięcie znamionowe: | 220-240 V~ |
| Prąd znamionowy: | 0,3 A |
| Częstotliwość znamionowa: | 50 Hz |
| Klasa klimatyczna: | ST |
| Czynnik chłodniczy: | R600a (16 g) |
| Ochrona przed porażeniem prądem: | I |
| Gaz nadmuchu izolacji: | Cyklopentan |
| Poziom hałasu | 35 dB(A) |
| Maks. siła pola H | 40.21dBuA/m@3m |
| Zakres częstotliwości | 110-205MHz |

Klasa klimatyczna:

- Rozszerzona umiarkowana (SN): „to urządzenie chłodnicze jest przeznaczone do używania w temperaturze otoczenia w przedziale od 10°C do 32°C”;
- Umiarkowana (N): „to urządzenie chłodnicze jest przeznaczone do używania w temperaturze otoczenia w przedziale od 16°C do 32°C”;
- Subtropikalna (ST): „to urządzenie chłodnicze jest przeznaczone do używania w temperaturze otoczenia w przedziale od 16°C do 38°C”;
- Tropikalna (T): „to urządzenie chłodnicze jest przeznaczone do używania w temperaturze otoczenia w przedziale od 16°C do 43°C”;

Uwaga: Aby uzyskać więcej informacji na temat danych, prosimy zeskanować kod QR na etykiecie energetycznej.

ANALIZA I USUWANIE PROSTYCH USTEREK

| Usterka | Przyczyna | Rozwiązanie |
|---|---|---|
| Sprężarka nie może poprawnie działać ale światło kontroli blokady drzwi świeci się. | Wartość zasilania jest mniejsza od 187V. | Odłączyć i ustawić zasilanie w zakresie 187V-242V. Jeśli wciąż nie działa, zainstalować regulator napięcia większy od 2KVAAC. |
| Sprężarka uruchamia się ale zatrzymuje się po minucie i ponownie się uruchamia. | Wartość zasilania jest większa od 242V. | |
| Sprężarka działa przez długi czas ale urządzenie nie chłodzi. | Czynnik chłodniczy wycieka. Zablokowana rura. | Skontaktować się z profesjonalistą w celu pomocy. |
| Powietrze jest chłodne ale sprężarka nie zatrzymuje się. | Drzwi są otwierane zbyt często. | Rzadziej otwierać drzwi. |
| | Zbyt dużo produktów spożywczych w strefie chłodzenia. | Wyjąć kilka produktów spożywczych. |
| | Rozpraszanie ciepła nie jest poprawne. | Umożliwić działanie przepływowi powietrza. |
| | Czujnik temperatury nie może poprawnie działać. | Skontaktować się z profesjonalistami w celu pomocy. |
| Urządzenie nie działa i nie może chłodzić. | Awaria bezpiecznika. | Wymienić bezpiecznik. |
| | Awaria płyty głównej. | Skontaktować się z profesjonalistami w celu pomocy. |
| Zbyt dużo hałasu. | Szuflada chłodząca nie jest ustawiona na płasko. | Ustawić urządzenie, by szuflada była położona na płasko. |
| | Niektóre elementy są poluzowane. | Przykręcić element. |

GWARANCJA I SERWIS KONSUMENCKI

Przed dostarczeniem do klienta nasze urządzenia poddawane są rygorystycznej kontroli jakości. Jeśli, pomimo wszelkich starań, podczas produkcji lub transportu pojawi się uszkodzenie, należy zwrócić urządzenie do sprzedawcy. Dodatkowo do stosowanych powszechnie przepisów, nabywca ma prawo do reklamacji na podstawie warunków niniejszej gwarancji:

Dla każdego zakupionego urządzenia zapewniamy 2 lata gwarancji, poczynając od dnia zakupu. Uszkodzony produkt można zwrócić bezpośrednio w punkcie zakupu.

Niniejsza gwarancja nie obejmuje uszkodzeń spowodowanych niewłaściwą obsługą urządzenia, usterek w wyniku modyfikacji i napraw wykonanych przez strony trzecie lub w wyniku użycia nieoryginalnych części. Należy zachować dowód zakupu, który jest jedyną podstawą złożenia roszczenia gwarancyjnego. Producent nie ponosi odpowiedzialności za uszkodzenia powstałe w wyniku nieprzestrzegania instrukcji obsługi. Powoduje to unieważnienie gwarancji. Producent nie ponosi odpowiedzialności za szkody materiałowe ani obrażenia ciała spowodowane niewłaściwą obsługą urządzenia i nieprzestrzeganiem instrukcji obsługi. Uszkodzenie akcesoriów nie oznacza bezpłatnej wymiany całego urządzenia. W takim wypadku prosimy o kontakt z naszym serwisem. Stłuczone elementy szklane lub pęknięte elementy plastikowe są wymieniane za opłatą. Uszkodzenia materiałów eksploatacyjnych lub części podlegających zużyciu, a także czyszczenie, konserwacja i wymiana wspomnianych części nie jest objęta gwarancją i podlega opłacie.

Okres gwarancyjny na części zamienne wynosi 2 lata. Jeśli trzeba coś wymienić, prosimy o kontakt z działem obsługi klienta.

USUWANIE PRZYJAZNE ŚRODOWISKU



Recykling – Dyrektywa europejska nr 2012/19/UE

Ten znak oznacza, że urządzenia nie należy wyrzucać razem z innymi odpadami domowymi. Aby zapobiec możliwym szkodom dla środowiska i zdrowia ludzi spowodowanym niekontrolowaną utylizacją odpadów, poddaj produkt procesowi recyklingu w celu promowania zrównoważonego ponownego wykorzystywania zasobów materiałowych. Aby zwrócić zużyte urządzenie, skorzystaj z systemu oddawania zużytych produktów lub skontaktuj się ze sprzedawcą. Sprzedawca może przyjąć produkt w celu przeprowadzenia bezpiecznego dla środowiska recyklingu.

W celu dokonania profesjonalnej naprawy i zamówienia części zamiennych prosimy o kontakt z naszym działem obsługi klienta.

Wyprodukowane przez: Emerio B.V.
Zomervaart 1A, 2033 DA Haarlem, The Netherlands

Gorąca linia serwisowa: +49 3222 1097 615