

**emerio**<sup>®</sup>

**SBS-127290**



**Side by Side Refrigerator (EN)**  
**Side by Side Kühlschrank (DE)**  
**Réfrigérateur side-by-side (FR)**  
**Amerikaanse koelkast (NL)**

**CE**

# Content – Inhalt – Teneur – Inhoud

Instruction manual – English .....	- 2 -
Bedienungsanleitung – German .....	- 18 -
Mode d'emploi – French .....	- 35 -
Gebruiksaanwijzing – Dutch .....	- 53 -

## SAFETY INSTRUCTIONS

Before use make sure to read all of the below instructions in order to avoid injury or damage, and to get the best results from the appliance. Make sure to keep this manual in a safe place. If you give or transfer this appliance to someone else make sure to also include this manual.

In case of damage caused by user failing to follow the instructions in this manual the warranty will be void. The manufacturer/importer accepts no liability for damages caused by failure to follow the manual, a negligent use or use not in accordance with the requirements of this manual.

1. Read and save these instructions. Attention: pictures in the IM are for reference only.
2. This appliance can be used by children aged from 8 years and above and persons with reduced physical, sensory or mental capabilities or lack of experience and knowledge if they have been given supervision or instruction concerning use of the appliance in a safe way and understand the hazards involved. Children shall not play with the appliance. Cleaning and user maintenance shall not be made by children without supervision.
3. Children aged from 3 to 8 years are allowed to load and unload refrigerating appliances.
4. If the supply cord is damaged, it must be replaced by the manufacturer, its service agent or similarly qualified persons in order to avoid a hazard.
5. **WARNING:** Keep ventilation openings, in the appliance enclosure or in the built-in structure, clear of obstruction.
6. **WARNING:** Do not use mechanical devices or other means to accelerate the defrosting process, other than those recommended by the manufacturer.
7. **WARNING:** Do not damage the refrigerant circuit.
8. **WARNING:** Do not use electrical appliances inside the food storage compartments of the appliance, unless they are of the type recommended by the manufacturer.

9. Do not store explosive substances such as aerosol cans with a flammable propellant in this appliance.
10. This appliance is intended to be used in household and similar applications such as
  - staff kitchen areas in shops, offices and other working environments;
  - farm houses and by clients in hotels, motels and other residential type environments;
  - bed and breakfast type environments;
  - catering and similar non-retail applications.
11. **WARNING:** When positioning the appliance, ensure the supply cord is not trapped or damaged.
12. **WARNING:** Do not locate multiple portable socket-outlets or portable power supplies at the rear of the appliance.
13. To avoid contamination of food, please respect the following instructions:
  - Opening the door for long periods can cause a significant increase of the temperature in the compartments of the appliance.
  - Clean regularly surfaces that can come in contact with food and accessible drainage systems.
  - Clean water tanks if they have not been used for 48h; flush the water system connected to a water supply if water has not been drawn for 5 days. (Only applicable to water dispenser and water inlet system)
  - Store raw meat and fish in suitable containers in the refrigerator, so that it is not in contact with or drip onto other food.
  - Two-star frozen-food compartments are suitable for storing pre-frozen food, storing or making ice cream and making ice cubes.
  - One-, two- and three-star compartments are not suitable for the freezing of fresh food.
  - If the refrigerating appliance is left empty for long periods, switch off, defrost, clean, dry, and leave the door open to prevent mould developing within the appliance.

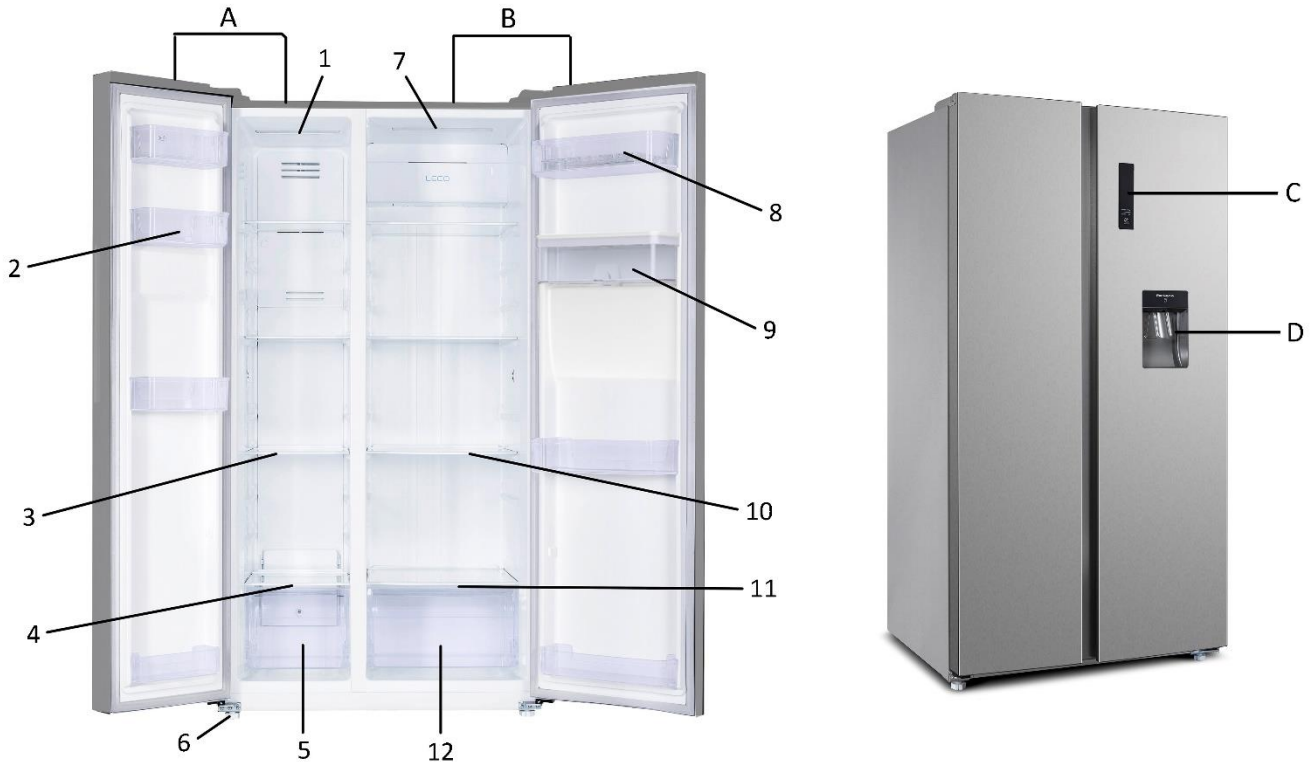
14. This refrigerating appliance is not intended to be used as a built-in appliance.
15. **Climate class:**
  - Extended temperate (SN): 'this refrigerating appliance is intended to be used at ambient temperatures ranging from 10°C to 32 °C';
  - Temperate(N): 'this refrigerating appliance is intended to be used at ambient temperatures ranging from 16 °C to 32 °C';
  - Subtropical (ST): 'this refrigerating appliance is intended to be used at ambient temperatures ranging from 16 °C to 38 °C';
  - Tropical(T): 'this refrigerating appliance is intended to be used at ambient temperatures ranging from 16 °C to 43 °C'.
16. Unplug the appliance from outlet when not in use, before putting on or taking off parts, before cleaning.
17. Insert the plug into a single grounded socket.
18. Never use the appliance in place where combustible and inflammable materials are kept.
19. The appliance must be positioned so that the plug is accessible.
20. Ensure the refrigerator is unplugged before cleaning or if the product is not in use.
21. To clean the appliance, use only mild detergents or glass cleaning products. Never use harsh detergents or solvents.
22. It is not recommended to use this refrigerator with an extension cord or power board. Please ensure that the appliance is plugged directly into the electrical outlet.
23. Do not place hot food or drink into the refrigerator before it cools down to room temperature.
24. Close the door immediately after putting in any items so the inside temperature will not rise dramatically.
25. Keep appliance away from any heat source or direct sunlight.

26. To fix stably, the appliance must be placed on a flat and solid surface. It should not be laid on any soft material.
27. Do not place any other appliance on top of the refrigerator, and do not wet it.
28. To avoid injury from electrical shock do not operate the appliance with wet hands, while standing on a wet surface or while standing in water.
29. Do not use outdoors or in wet conditions.
30. Never pull the cord to disconnect it from the outlet. Grasp the plug and pull it from the outlet.
31. Keep the cord away from heated surfaces.
32. Check that the voltage of the power supply in your home is the same as the voltage shown on the rating label of this product.
33. Children should be supervised to ensure that they do not play with the appliance.



34. **WARNING!** Risk of fire / flammable materials
35. Regarding the information pertaining to the installation, handling, use, servicing, replacement of lamp (if applicable), cleaning and disposal of the appliance, thanks to refer to the below paragraph of the manual.
36. Do not store any containers with flammable materials, such as spray cans, fire extinguisher refill cartridges etc. in the appliance.
37. Do not place carbonated or fizzy drinks in the freezer compartment. Ice lollies can cause “frost/freezer burns”, if consumed straight from the appliance.
38. Do not remove items from the appliance if your hands are damp/wet, as this could cause skin abrasions or “frost/freezer burns”. Bottles and cans must not be placed in the freezer compartment as they can burst when the contents freeze.

39. Do not store inflammable gases or liquids inside your appliance.
40. WARNING: The refrigerant used in your appliance and insulation materials require special disposal procedures.
41. WARNING: It is hazardous for anyone other than authorized service personnel to carry out servicing or repairs which involves the removal of covers. To avoid the risk of an electric shock, do not attempt to repair this appliance yourself.
42. WARNING: Refrigerating appliances – in particular a refrigerator-freezer Type I – might not operate consistently (possibility of defrosting of contents or temperature becoming too warm in the frozen food compartment) when sited for an extended period of time below the cold end of the range of temperatures for which the refrigerating appliance is designed.
43. The freon-free refrigerant (R600a) and the foaming insulation material (cyclopentane) that is environmentally friendly are used for the refrigerator, causing no damage to the ozone layer and having very small impact on the global warming. R600a is flammable, and sealed in a refrigeration system, without leakage during normal use. But, in case of refrigerant leakage due to the refrigerant circuit being damaged, be sure to keep the appliance away from open flames and open the windows for ventilation as quickly as possible.
44. This appliance should be properly grounded for your safety. The power cord of this appliance is equipped with a three-prong plug which mates with the standard three prong wall outlets to minimize the possibility of electrical shock. Do not, under any circumstances, cut or remove the third ground prong from the power cord supplied.
45. This refrigerator appliance requires a standard 220-240VAC 50/60Hz electrical outlet with three-prong ground.

**STRUCTURE ILLUSTRATION**

Note: Due to technological innovation, the product descriptions in this manual may not be completely consistent with your refrigerator. Details are in accordance with the real product.

**A. Freezer compartment:**

1. LED light
2. Freezer door rack
3. Glass shelf
4. Freezer drawer cover
5. Freezer drawer
6. Adjustable foot

**B. Refrigerator compartment:**

7. LED light
8. Refrigerator door rack
9. Water tank
10. Glass shelf
11. Salad crisper cover
12. Salad crisper

**C. Control panel****D. Water dispenser****TRANSPORT AND HANDING**

During transportation, hold the base and lift the refrigerator carefully with an angle inferior at 45 degrees. Never hold the door handle as support. Never place it upside down nor horizontally. Push refrigerator on its basis and place it thanks to its roller feet.

**INSTALLATION**

Choose a dry and well-ventilated place where there is no corrosive air.

In order to improve efficiency of the cooling system and save energy, it is necessary to maintain good ventilation around the appliance for the dissipation of heat. For this reason, sufficient clear space should be available around the refrigerator.



### Ventilation condition

Make sure the refrigerator is placed in an area with adequate ventilation and is not exposed to hot air. Do not locate the refrigerator near a heat source such as cooker, and avoid it from direct sunlight, thus guaranteeing the refrigeration effect while saving energy consumption. Do not locate the refrigerator in the damp place, so as to prevent the refrigerator from rusting and leaking electricity. The result of the total space of the room in which the refrigerator is installed being divided by the refrigerant charge amount of the refrigerator shall not be less than 8 g/ m<sup>3</sup>.

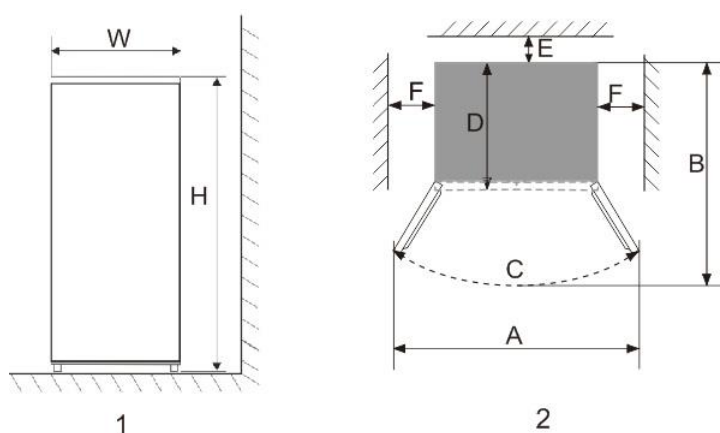
Note: The amount of refrigerant charged for the refrigerator can be found on the nameplate.

### Heat dissipation space

When working, the refrigerator gives off heat to surroundings. Therefore, at least 300mm of free space should be spared at the top side, more than 100mm on both sides, and above 50mm at the back side of the refrigerator.

Dimensions in mm:

W	D	H	A	B	C (°)	E	F
839	637	1763	1447	1013	140	50	100



Note: figure 1 and figure 2 only illustrate the space demand of the product.

### FIRST USE

Adjust the feet and clear the outside and inside of the refrigerator with warm cloth.

Do not start the refrigerator immediately after vertical placement. Only start it after 2-6 hours standing to ensure its proper operation.

To prevent damage to the power cord and any consequence incidents, the power cord should not be covered by the refrigerator or other objects. Before switching on the refrigerator, please check the voltage range of the refrigerator carefully if the same as that of the power supply.

When the refrigerator is first installed, allow it to stabilize at normal operating temperatures for 2-3 hours prior to filling it with fresh or frozen foods.

If operation is interrupted, wait for 5 minutes before restarting.

Insert the plug into the solid socket to start the compressor. After 1 hour, open the freezer door, if the temperature inside the freezer compartment drops obviously, it indicates the refrigeration system is working normally.

After the refrigerator runs for a period of time, the internal temperature of the refrigerator will be automatically controlled according to the user's temperature setting. After the refrigerator is fully cooled, put in foods, which usually need 2-3 hours to be fully cooled. In summer, when the temperature is high, it takes more than 4 hours for the foods to be fully cooled (Try to open the refrigerator door as less as possible before the internal temperature cools down).

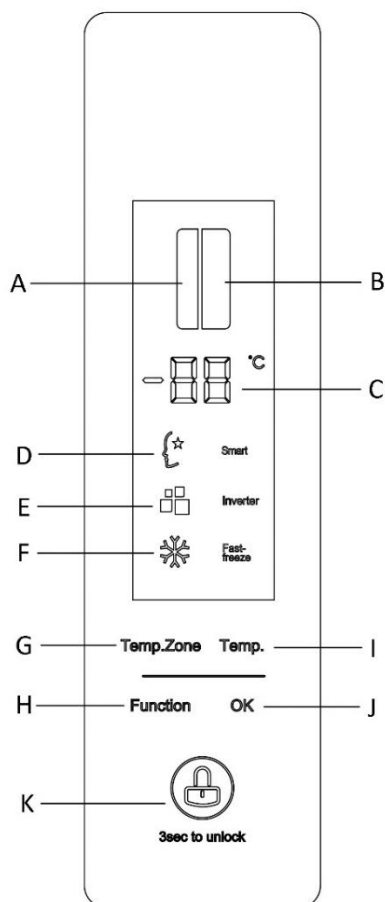
If the refrigerator is installed in the moisture place, make sure to check whether the ground wire and leakage circuit breaker are normal. If vibration noises are produced due to the refrigerator contacting the wall or if the wall gets blackened by air convection around the compressor, move the refrigerator away from the wall. Setting up the refrigerator may cause jamming noise or image chaos to the mobile phone, fixed-line telephone, radio receiver, television set surrounding it, so try to keep the refrigerator as far away as possible in such case.

## USE (CONTROL PANEL AND DIGITAL DISPLAY)

The control panel and the digital display are in the front of the door.

When the refrigerator system is connected to power supply for the first time, all icons on the display panel will illuminate for 2s, and the system runs in the Smart mode by default. When all the doors are close, the display gets extinguished automatically if no button operation within 3 minutes. When the display is off, it will light up if any door is opened or any button is pressed.

The following button operations are valid only when the buttons are unlocked and get illuminated on the display. "Inverter" is the frequency conversion indicator. When the power is turned on, it lights up when the compressor is working.



- A. Freezer zone
- B. Refrigerator zone
- C. Temperature display
- D. "Smart" icon
- E. "Inverter" icon
- F. "Fast freeze" icon
- G. Temperature zone button
- H. Function button
- I. Temperature button
- J. OK button
- K. Unlock button

### 1. Temperature setting

Press the temperature zone button to select the refrigerator compartment or freezer compartment until the corresponding zone gets flickering, and then press the temperature button to set the temperature as desired. Finally, press the OK button to validate the setting.

- The temperature setting of refrigerator compartment cycles as following:  
5°C → 6°C → 7°C → 8°C → OF → 2°C → 3°C → 4°C → 5°C  
OF indicates the refrigerator compartment is switched off, and when the OF function takes effect, the refrigerator compartment will stop cooling.  
Caution: Be sure to take all foods out of the refrigerator compartment before setting this function.
- The freezer temperature setting cycles as following:  
-18°C → -17°C → -16°C → -24°C → -23°C → -22°C → -21°C → -20°C → -19°C → -18°C

### 2. Fast freeze function

- 1) When the fast freeze function is enabled, the freezer temperature will be controlled at -32°C automatically, and after 26 hours of running, the fast freeze function gets exited. Cooling down the freezer temperature in a rapid manner is beneficial to the prevention of food nutrition against lost and the preservation of freshness.  
Caution: Under the fast freeze mode, the freezer temperature is subjected to no adjustment.

- 2) Enabling the fast freeze function  
Press the function button to select Fast freeze until the corresponding icon gets flickering, and then press the OK button within 5s for confirmation. If the OK button is not pressed within 5s, the setting will be invalidated.
- 3) Exiting the fast freeze function  
After a cumulative running period of 26 hours, the fast freeze function will exit automatically.  
Under the fast freeze mode, press the function button to select Fast freeze until the corresponding icon gets flickering, and then press the OK button for confirmation, the fast freeze function will get exited.  
When the smart function is enabled, the fast freeze function will be disabled automatically.

### 3. Smart function

- 1) When the smart function is enabled, the temperature of the refrigerator compartment is controlled at 5°C, and that of the freezer compartment at -18°C, so that foods can be stored in the best condition while the refrigerator is running more efficiently and with better performance.

**Caution: Under the smart mode, the refrigerator compartment temperature and the freezer compartment temperature are subject to no change.**

- 2) Enabling the smart function  
Press the function button to select Smart until the corresponding icon gets flickering, and then press the OK button within 5s for confirmation. If the OK button is not pressed within 5s, the setting will be invalidated.
- 3) Exiting the smart function  
Under the smart mode, press the function button to select Smart until the corresponding icon gets flickering, and then press the OK button for confirmation. The smart function will get exited.  
When the fast freeze function is enabled, the smart function will be disabled automatically.

### 4. Child lock

- 1) When the child lock function is enabled, the temperature and function are subjected to no change to prevent maloperation.
- 2) In case of no button operation within 3 minutes, the child lock function will be enabled automatically.
- 3) Exiting the child lock function manually:  
Press and hold down the unlock button for 3s, then the child lock function can be disabled.

### 5. Door open alarm

If any door is open for more than 3 minutes, buzzer alarms will be continuously issued, which can be stopped when any button is pressed, but will be restored after 3 minutes if the door keeps open. The alarms will not be lifted until the door is closed.

### 6. Power cut memory

In the case of power failure, the refrigerator will maintain the running state that is set before the power outage when the power supply is restored.

### 7. Power-on delay

In order to protect the refrigerator compressor from being damaged in the case of short-time power failure (i.e., less than 5 minutes), the compressor will not be started immediately after it is powered on.

### 8. Over-temperature alarm (only after power outage)

When the refrigerator system is powered on, if the freezer sensor temperature is higher than -10°C, the freezer zone gets flickering on the display. The freezer temperature can be displayed when any button is pressed, and the normal display will be restored when any button is pressed again or after 10s.

### 9. Fault alarm

In case E0, E1, E2, EH, or EC is displayed on the operation panel, it indicates fault with the refrigerator. Please contact the after-sale service.

**Note:** the temperature will impact the storage time of food. Set the temperature as necessary. Warmer will accelerate food spoilage and colder will freeze food bad. Thus, food to be wasted.

## **STORAGE OF FOOD**

Your appliance has the accessories as the “Structure illustration” showed in general, with this part instruction you can have the right way to store your food.

**Note:** Food is not allowed to touch directly all surfaces inside the appliance. It has to be wrapped separately in aluminum sheet or in cellophane sheet or in airtight plastic boxes.

### **Storing food in the refrigerator compartment**

The fridge compartment helps to extend the storage times of fresh perishable foods.

Fresh food care for best results:

- Store foods that are very fresh and of good quality.
- Ensure that food is well wrapped or covered before it is stored. This will prevent food from dehydrating, deteriorating in color or losing taste and will help maintain freshness. It will also prevent odor transfer. Vegetables and fruit don't need to be wrapped if they are stored in the vegetable container of the fridge compartment.
- Make sure that strong smelling foods are wrapped or covered and stored away from foods such as butter, milk and cream which can be tainted by strong odors.
- Cool hot foods down before placing them in the fridge compartment.

**Fridge shelf:** When removing the shelf, lift it up first, and then pull it out; and when installing the shelf, place it into position before putting it down. Keep the shelf rear flange upward, to prevent foods from contacting the liner wall. When taking out or putting in the shelf, hold it firmly, and handle with care to avoid damage.

**Crisper box:** Pull out the crisper box for access to food. After using or cleaning the cover plate of the crisper box, be sure to put it back onto the crisper, so that the internal temperature of the crisper box will not be affected.

**Fridge door rack:** Hold the bottle rack with both hands, and then push it up.

### **Dairy foods and eggs**

- Most pre-packed dairy foods have a recommended ‘use by /best before/best by/’ date stamped on them. Store them in the fridge compartment and use within the recommended time.
- Butter can become tainted by strong smelling foods so it is best stored in a sealed container.
- Eggs should be stored in the fridge compartment.

### **Red meat**

- Place fresh red meat on a plate and loosely cover with waxed paper, plastic wrap or foil.
- Store cooked and raw meat on separate plates. This will prevent any juice lost from the raw meat from contaminating the cooked product.

### **Poultry**

- Fresh whole birds should be rinsed inside and out with cold running water, dried and placed on a plate. Cover loosely with plastic wrap or foil.
- Poultry pieces should also be stored this way. Whole poultry should never be stuffed until just before cooking, otherwise food poisoning may result.

### **Fish and seafood**

- Whole fish and fillets should be used on the day of purchase. Until required, refrigerate on a plate loosely covered with plastic wrap, waxed paper or foil.
- If storing overnight or longer, take particular care to select very fresh fish. Whole fish should be rinsed in cold water to remove loose scales and dirt and then patted dry with paper towels. Place whole fish or fillets in a sealed plastic bag.
- Keep shellfish chilled at all times. Use within 1-2 days.

### **Precooked foods and leftovers**

- These should be stored in suitable covered containers so that the food will not dry out.
- Keep for only 1-2 days.
- Reheat leftovers only once and until steaming hot.

### Vegetable container

- The vegetable container is the optimum storage location for fresh fruit and vegetables.
- Take care not to store the following at temperatures of less than 7°C for long periods: Citrus fruit, melons, pineapple, papaya, passion fruit, cucumber, peppers, tomatoes.
- Undesirable changes will occur at low temperatures such as softening of the flesh, browning and/or accelerated decaying.
- Do not refrigerate avocados (until they are ripe), bananas and mangoes.

Food	Location
Butter, cheese	Upper door rack
Eggs	Door rack
Fruit, vegetables, salad	Crisper
Meat, sausage, cheese, milk	Lower area (lowest shelf / crisper cover)
Dairy products, canned food, cans	Upper area or door rack
Drinks, bottles, tubes	Door rack

### Freezing and storing food in the freezer compartment

- To store deep-frozen food.
- To make ice cubes.
- To freeze food.

**Note:** Ensure that the freezer compartment door has been closed properly.

### Purchasing frozen food

- Packaging must not be damaged.
- Use by the 'use by /best before/best by/' date.
- If possible, transport deep-frozen food in an insulated bag and place quickly in the freezer compartment.

### Storing frozen food

Store at -18°C or colder. Avoid opening the freezer compartment door unnecessarily.

### Freezing fresh food

Freeze fresh and undamaged food only.

To retain the best possible nutritional value, flavor and color, vegetables should be blanched before freezing. Aubergines, peppers, zucchini and asparagus do not require blanching.

**Note:** Keep food to be frozen away from food which is already frozen.

- The following foods are suitable for freezing:

Cakes and pastries, fish and seafood, meat, game, poultry, vegetables, fruit, herbs, eggs without shells, dairy products such as cheese and butter, ready meals and leftovers such as soups, stews, cooked meat and fish, potato dishes, soufflés and desserts.

- The following foods are not suitable for freezing:

Types of vegetables, which are usually consumed raw, such as lettuce or radishes, eggs in shells, grapes, whole apples, pears and peaches, hard-boiled eggs, yoghurt, soured milk, sour cream, and mayonnaise.

### Packing frozen food

To prevent food from losing its flavor or drying out, place food in airtight packaging.

1. Place food in packaging.
2. Remove air.
3. Seal the wrapping.
4. Label packaging with contents and dates of freezing.

Suitable packaging:

Plastic film, tubular film made of polyethylene, aluminum foil. These products are available from specialist outlets.

## Recommended storage times of frozen food in the freezer compartment

These times vary depending on the type of food. The food that you freeze can be preserved from 1 to 12 months (minimum at -18°C).

Food	Storage time
Bacon, casseroles, milk	1 month
Bread, ice cream, sausages, pies, prepared shellfish, oily fish	2 months
Non-oily fish, shellfish, pizza, scones and muffins	3 months
Ham, cakes, biscuits, beef and lamb chops, poultry pieces	4 months
Butter, vegetables (blanched), eggs whole and yolks, cooked crayfish, minced meat (raw), pork (raw)	6 months
Fruit (dry or in syrup), egg whites, beef (raw), whole chicken, lamb (raw), fruit cakes	12 months

### Never forget:

- When you freeze fresh foods with a 'use by /best before/best by/' date, you must freeze them before this date expires.
- Check that the food was not already frozen. Indeed, frozen food that has thawed completely must not be re-frozen.
- Once defrosted, food should be consumed quickly.
- Please don't put glass containers filled with liquid into the freezer compartment as the glass may break.

### Fast-freezing:

- Refer to the description about fast-freezing function in the "USE" section.
- Compared with the normal freezing, fast freezing enables food to pass through the maximum ice crystal formation zone at the fastest speed. Fast freezing can freeze the food water content into fine ice crystals, without damaging the cell membrane, so cell juice will not be lost when thawing, and the original freshness and nutrition of food can be maintained.
- The fast-freezing function is designed to preserve nutrition of the frozen food, with the food thoroughly frozen in the shortest time. Fast freezing consumes more energy than the normal freezing does.

### HELPFUL HINTS AND TIPS

- Try to avoid keeping the door open for long periods in order to conserve energy.
- Ensure the appliance is away from any sources of heat (Direct sunlight, electric oven or cooker etc.)
- Don't store warm food or evaporating liquid in the appliance.
- Place food properly so that air can circulate freely around it.

### Switching off your appliance

If the appliance needs to be switched off for an extended period, the following steps should be taken to prevent mould on the appliance.

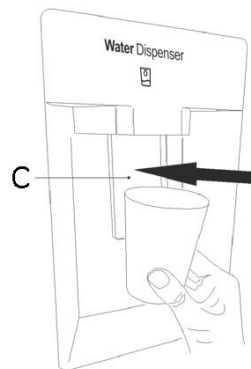
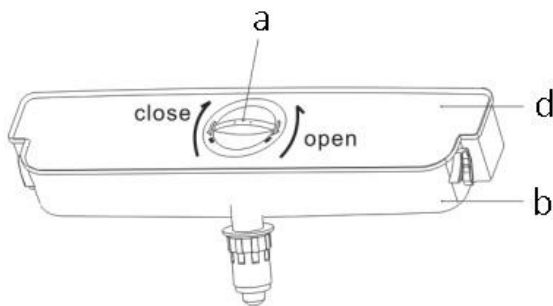
1. Remove all food;
2. Remove the power plug from the mains socket;
3. Clean and dry the interior thoroughly;
4. Ensure that all the doors are wedged open slightly to allow air to circulate.

### How to use the ice-making box

Place the ice-making box in the upper position of the freezer compartment, so that it ices up as soon as possible.

### WATER DISPENSER

The refrigerator includes a water dispenser which makes it easier to fill your cup of water and have access to cold water almost immediately. The water dispenser includes one tank of **2.5** liters of water which has to be filled out. To use water dispenser, follow the instructions below:



1. Open the refrigerator door to ensure the water dispenser is fixed well.
2. Open the filler cover (a) of the water tank (b), slowly fill the water tank to prevent any spills until the tank is filled. Then close the filler cover of the water tank.
3. Once the water tank is full, set the refrigerator compartment at the lowest temperature, and one hour later you can dispense water for drinking by pushing the water switch (c).
4. When using the water dispenser, some water may drip and accumulate at the bottom of the water dispenser. Please wipe it with a cloth when necessary.
5. The maximum fill must be lower than the tank cover (d) as indicated by the maximum fill line.

**Note:** Don't take away the cup until no waterdrop.

### CLEANING AND CARE

**Before cleaning, unplug the power plug first. Do not plug in or plug out the plug with wet hand, because there is a risk of electric shock and injury. Do not spill water directly on the refrigerator, to avoid rust, electricity leakage and accidents. Do not stretch your hands into the bottom of the refrigerator, since you might be scratched by sharp metal corners.**

#### Exterior cleaning

- To maintain good appearance of your appliance, you should clean it regularly.
- Spray water onto the cleaning cloth instead of spraying directly on the surface of the appliance. This helps ensure an even distribution of moisture to the surface.

**Caution!** Don't use sharp objects as they are likely to scratch the surface. Don't use Thinner, Car detergent, Clorox, ethereal oil, abrasive cleansers or organic solvent such as Benzene for cleaning. They may damage the surface of the appliance and may cause fire.

#### Interior cleaning

You should clean the appliance interior regularly. It will be easier to clean when food stocks are low. Wipe the inside of the fridge freezer with a weak solution of bicarbonate of soda, and then rinse with warm water using a wrung-out sponge or cloth. Wipe completely dry before replacing the shelves and baskets. Thoroughly dry all surfaces and removable parts.

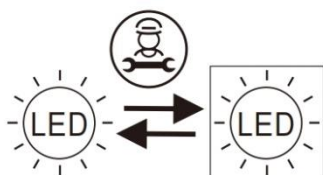
**Caution!** Make sure that no water enters into lamp hood and other electric parts.

**Caution:** Do not use bristle brush, steel wire brush, detergent, soap powder, alkaline detergent, benzene, gasoline, acid, hot water and other corrosive or soluble items to cleanse the cabinet surface, door gasket, plastic decorative parts, etc., so as to avoid damage.

Carefully wipe dry the door gasket, clean the groove using a wooden chopstick wrapped with cotton string. After the cleaning, fix the four corners of the door gasket first, and then embed it by segment into the door groove.

#### Replacing the LED light

**Warning:** the LED light must not be replaced by the user! If the LED light is damaged, contact an authorized service representative for repairing.



Replaceable (LED only) light source by a professional  
This product contains a light source of energy efficiency class G.

### Interruption of power supply or failure of the refrigerating system

- Take care of the frozen foods in the event of an extended non-running of the refrigerating appliance (such as interruption of power supply or failure of the refrigerating system).
- Try to open the refrigerator door as less as possible, in this way food can be safely and freshly kept for hours even in hot summer.
- If you get the power outage notice in advance:
  - Adjust the temperature to the high mode an hour in advance, so that foods get fully frozen (Do not store new food during this time!). Restore the temperature mode to the original setting when power supply becomes normal in a timely manner.
  - You can also make ice with a watertight container, and put it in the upper part of the freezer, so as to extend the time for fresh food to be stored.

**Note: Once the refrigerator is used, you'd better use it continuously; and under normal circumstance, do not stop its use, so as not to affect the service life.**

### Defrosting

This appliance is designed with automatic defrosting function, thus no need to defrost it manually.

### TECHNICAL SPECIFICATIONS

Rated voltage:	220-240V~
Rated current:	1.9A
Rated frequency:	50/60Hz
Defrost power:	220W
Climate class:	SN/N/ST/T
Refrigerant:	R600a(72g)
Protection against electrical shock:	I
Insulation blowing gas:	CYCLOPENTANE

### Climate class:

- Extended temperate (SN): 'this refrigerating appliance is intended to be used at ambient temperatures ranging from 10°C to 32 °C';
- Temperate(N): 'this refrigerating appliance is intended to be used at ambient temperatures ranging from 16 °C to 32 °C';
- Subtropical (ST): 'this refrigerating appliance is intended to be used at ambient temperatures ranging from 16 °C to 38 °C';
- Tropical(T): 'this refrigerating appliance is intended to be used at ambient temperatures ranging from 16 °C to 43 °C'.

Note: Given the limit values of the ambient temperature range for the climate classes for which the refrigerating appliance is designed and the fact that the internal temperatures could be affected by such factors as location of the refrigerating appliance, ambient temperature and the frequency of door opening, the setting of any temperature control device might have to be varied to allow for these factors, if appropriate.

When operating in an environment other than the specified climate type (i.e., beyond the rated ambient temperature range), the appliance may not be able to maintain the desirable compartment temperatures.

**Note:** More data information, please scan the QR code on the energy label.



## TROUBLESHOOTING

Symptom	Cause	Solution
The appliance does not work.	There is no power supply.	Verify that the appliance is connected to the plug.
	The fuse doesn't work.	Replace the fuse.
The appliance makes a lot of noise.	The appliance is too close to the wall, or is not stable, or the accessories inside the refrigerator are placed in wrong position.	Stabilize the base of the refrigerator by adjusting the position of feet, take away the device off the wall, place correctly the accessories inside the refrigerator.
The appliance doesn't cool enough.	The door is too often opened or was left opened for a long time.	Close the door and do not open it too much frequently.
	The refrigerator is too close to the wall.	Take away the device off the wall for the ventilation.
	The refrigerator is too full.	Remove food of the device.
There are smells in the appliance.	Food becomes obsolete inside the refrigerator.	Throw away the obsolete food and wrap the other.
	The inside of the device needs to be cleaned.	Clean the inside of the refrigerator.
No button response	Check whether the child lock function is enabled on the display panel.	Press and hold the unlock button for 3 seconds. (For details refer to the child lock function in the "USE" section.)
Temperature setting impossible	Check whether the Smart or Fast freeze function is enabled on the display panel.	Exit the special function mode, and then set up the temperature (for details refer to the "USE" section).
Freezer temperature displayed on the panel, with the temperature digits flashing	Is power cut before?	Press any button to lift the alarm (refer to the Overtemperature alarm function in the "USE" section), and then check if the foods inside the appliance get spoiled.

### The following symptoms are not breakdowns:

- The noise of the cooling liquid which circulates in pipes can be heard, it is normal.
- The humidity on the surface outside of the device during the wet seasons is not a problem of the device; you just need to wipe it with a dry soft cloth.
- The compressor and the condenser can warm more during the periods of strong heat.
- The frame of the door is a bit hot; it means that the condenser works to evacuate the humidity of air.

### It is normal to frequently hear the sound of the motor; it will need to run more when in following circumstances:

- Temperature setting is set colder than necessary.
- Large quantity of warm food has recently been stored in the appliance.
- The temperature outside the appliance is too high.
- Doors are kept open too long or too often.
- After your installing the appliance or it has been switched off for a long time.

## GUARANTEE AND CUSTOMER SERVICE

Before delivery our devices are subjected to rigorous quality control. If, despite all care, damage has occurred during production or transportation, please return the device to your dealer. In addition to statutory legal rights, the purchaser has an option to claim under the terms of the following guarantee:

For the purchased device we provide 2 years guarantee, commencing from the day of sale. If you have a defective product, you can directly go back to the point of purchase.

Defects which arise due to improper handling of the device and malfunctions due to interventions and repairs by third parties or the fitting of non-original parts are not covered by this guarantee. Always keep your receipt, without the receipt you can't claim any form of warranty. Damage caused by not following the instruction manual, will lead to a void of warranty, if this results in consequential damages then we will not be liable. Neither can we hold responsible for material damage or personal injury caused by improper use or if the instruction manual are not properly executed. Damage to accessories does not mean free replacement of the whole appliance. In such case please contact our service department. Broken glass or breakage of plastic parts is always subject to a charge. Defects to consumables or parts subjected to wearing, as well as cleaning, maintenance or the replacement of said parts are not covered by the warranty and are to be paid.

The guarantee period of the spare parts is 2 years. If you need replacement, please contact our customer service.

#### **ENVIRONMENT FRIENDLY DISPOSAL**



Recycling – European Directive 2012/19/EU

This marking indicates that this product should not be disposed with other household wastes. To prevent possible harm to the environment or human health from uncontrolled waste disposal, recycle it responsibly to promote the sustainable reuse of material resources. To return your used device, please use the return and collection systems or contact the retailer where the product was purchased. They can take this product for environmental safe recycling.

For professional repair and ordering spare parts, please contact our customer service.

Emerio B.V.  
Zomervaat 1A  
2033 DA Haarlem  
The Netherlands

**Customer service:**  
T: +31 (0) 23 3034369  
E: info@emerio.eu

**Kundeninformation:**  
T: +49 (0) 3222 1097 600  
E: info.de@emerio.eu

**Klantenservice:**  
T: +31 (0) 23 3034369  
E: info.nl@emerio.eu

## SICHERHEITSINFORMATIONEN

Lesen Sie vor dem Gebrauch unbedingt die nachfolgenden Anleitungen, um Verletzungen oder Beschädigungen zu vermeiden und das beste Ergebnis mit dem Gerät zu erzielen. Bewahren Sie diese Bedienungsanleitung an einem sicheren Ort auf. Wenn Sie dieses Gerät an eine andere Person weitergeben, stellen Sie sicher, dass Sie auch diese Bedienungsanleitung aushändigen.

Im Falle von Beschädigungen, die durch die Missachtung der Anleitungen in dieser Bedienungsanleitung verursacht wurden, wird die Garantie ungültig. Der Hersteller/Importeur haftet nicht für Schäden, die durch Missachtung der Bedienungsanleitung, fahrlässigen Gebrauch oder Benutzung, die nicht in Übereinstimmung mit den Anforderungen dieser Bedienungsanleitung erfolgt, verursacht wurden.

1. Lesen und bewahren Sie diese Anleitungen auf. Achtung: Die Bilder in der Bedienungsanleitung dienen nur zur Veranschaulichung.
2. Dieses Gerät kann von Kindern ab 8 Jahren und von Personen mit eingeschränkten physischen, sensorischen oder geistigen Fähigkeiten oder ohne Erfahrung und/oder Wissen benutzt werden, wenn diese durch eine für ihre Sicherheit zuständige Person beaufsichtigt werden oder von ihr Anweisungen erhielten, wie das Gerät sicher zu benutzen ist und sie auf die Risiken aufmerksam gemacht wurden. Kinder dürfen nicht mit dem Gerät spielen. Kinder sollten dieses Gerät nicht unbeaufsichtigt reinigen oder warten.
3. Kinder im Alter zwischen 3 und 8 Jahren dürfen Kühlgeräte befüllen und leeren.
4. Wenn die Netzanschlussleitung dieses Gerätes beschädigt wird, muss sie durch den Hersteller oder seinen Kundendienst oder eine ähnlich qualifizierte Person ersetzt werden, um Gefährdungen zu vermeiden.
5. **WARNUNG:** Halten Sie die Lüftungsöffnungen im Gehäuse oder direkt im Gerät frei von Hindernissen.

6. **WARNUNG:** Verwenden Sie keine anderen als die vom Hersteller empfohlenen mechanischen Geräte oder andere Mittel, um den Abtauvorgang zu beschleunigen.
7. **WARNUNG:** Beschädigen Sie den Kältemittelkreislauf nicht.
8. **WARNUNG:** Verwenden Sie keine elektrischen Geräte in den Lebensmittelfächern des Geräts, es sei denn, sie entsprechen dem Typ, der vom Hersteller empfohlen wird.
9. Lagern Sie keine explosiven Substanzen wie Aerosoldosen mit einem brennbaren Treibmittel in diesem Gerät.
10. Dieses Gerät ist dazu bestimmt, im Haushalt und ähnlichen Anwendungsbereichen benutzt zu werden, wie z.B.:
  - in Personalküchen von Ladengeschäften, Büros und anderen Arbeitsumgebungen,
  - auf Bauernhöfen, von Gästen in Hotels, Motels und anderen Wohnumgebungen,
  - Pensionen und ähnlichen Unterkünften,
  - im Catering und ähnlichen Nicht-Einzelhandelsbereichen.
11. **WARNUNG:** Stellen Sie das Gerät so auf, dass das Versorgungskabel nicht eingeklemmt oder beschädigt wird.
12. **WARNUNG:** Stellen Sie keine Mehrfachsteckdosen oder tragbare Stromquellen an der Rückseite des Geräts auf.
13. Um eine Kontamination von Lebensmitteln zu vermeiden, beachten Sie bitte folgende Hinweise:
  - Ein längeres Öffnen des Deckels kann zu einer deutlichen Erhöhung der Temperatur im Gerät führen.
  - Reinigen Sie regelmäßig die Oberflächen, die mit Lebensmitteln und den zugänglichen Abläufen in Berührung kommen können.
  - Reinigen Sie die Wasserbehälter, wenn diese 48 Stunden lang nicht benutzt wurden. Spülen Sie den Wasserkreislauf, wenn 5 Tage lang kein Wasser verbraucht wurde. (Gilt nur für Wasserspender und Wasserzulauf)
  - Bewahren Sie Fleisch und Fisch in geeigneten Behältnissen im Kühlschrank auf, damit sie keinen Kontakt mit anderen Lebensmitteln bekommen oder auf sie tropfen können.

- Tiefkühlfächer mit 2 Sternen eignen sich für die Aufbewahrung tiefgekühlter Lebensmittel, zum Aufbewahren oder Herstellen von Speiseeis und Eiswürfeln.
  - Zum Einfrieren frischer Lebensmittel sind Tiefkühlfächer mit einem, zwei oder drei Sternen nicht geeignet.
  - Wenn das Kühlgerät längere Zeit leer bleibt, schalten Sie es aus, tauen Sie es ab, reinigen und trocknen sie es. Lassen Sie die Tür geöffnet, damit sich im Geräteinneren kein Schimmel bildet.
14. Dieses Kühlgerät ist nicht als Einbaugerät vorgesehen.
15. **Klimaklasse:**
- SN (Subnormal): Das Kühlgerät eignet sich für Umgebungstemperaturen von 10 bis 32 °C.
  - N (Normal): Das Kühlgerät eignet sich für Umgebungstemperaturen von 16 bis 32 °C.
  - ST (Subtropisch): Das Kühlgerät eignet sich für Umgebungstemperaturen von 16 bis 38 °C.
  - T (Tropisch): Das Kühlgerät eignet sich für Umgebungstemperaturen von 16 bis 43 °C.
16. Ziehen Sie den Netzstecker aus der Steckdose, wenn das Gerät nicht benutzt wird, bevor Sie Teile befestigen bzw. abnehmen und bevor Sie das Gerät reinigen.
17. Schließen Sie den Stecker an eine geerdete Einzelsteckdose an.
18. Benutzen Sie das Gerät nicht an Orten, an denen brennbare und zündfähige Stoffe aufbewahrt werden.
19. Das Gerät muss so aufgestellt werden, dass der Netzstecker stets zugänglich ist.
20. Vor dem Reinigen oder bei Nichtbenutzung des Geräts immer den Netzstecker ziehen.
21. Zum Reinigen des Geräts nur milde Reiniger oder Glasreiniger verwenden. Keine aggressiven Präparate oder Lösungsmittel verwenden.
22. Der Betrieb dieses Kühlgeräts über ein Verlängerungskabel oder Stromverteiler wird nicht empfohlen. Vergewissern

Sie sich, dass das Gerät direkt an eine Steckdose angeschlossen ist.

23. Stellen Sie heiße Speisen oder Getränke erst dann in den Kühlschrank, wenn diese abgekühlt sind.
24. Schließen Sie die Tür sofort nach dem Hineinstellen der Lebensmittel, damit die Innentemperatur nicht zu stark ansteigt.
25. Halten Sie das Gerät fern von Wärmequellen und direktem Sonnenlicht.
26. Für einen festen Stand muss das Gerät auf einem flachen und massiven Untergrund aufgestellt werden. Es sollte nicht auf weichem Material lagern.
27. Stellen Sie keine anderen Gegenstände auf das Kühlgerät und machen Sie es nicht nass.
28. Zur Vermeidung von schweren oder tödlichen Verletzungen das Gerät nicht benutzen, wenn Ihre Hände nass sind, wenn Sie auf nassem Untergrund oder im Wasser stehen.
29. Nicht im Freien oder bei Nässe benutzen.
30. Zum Trennen von der Steckdose nie am Netzkabel ziehen, sondern nur am Netzstecker.
31. Das Netzkabel von beheizten Flächen fernhalten.
32. Die Netzspannung im Haushalt muss mit den Spannungsangaben auf dem Typenschild am Gerät übereinstimmen.
33. Damit Kinder nicht mit dem Gerät spielen, sollten sie entsprechend beaufsichtigt werden.



34. **WARNUNG!** Brandgefahr / zündfähige Materialien

35. Um Informationen zu Installation, Benutzung, Handhabung, Wartung, Austausch der Lampe (sofern zutreffend), Reinigung und Entsorgung zu erhalten, lesen Sie bitte den nachfolgenden Abschnitt in der Bedienungsanleitung.

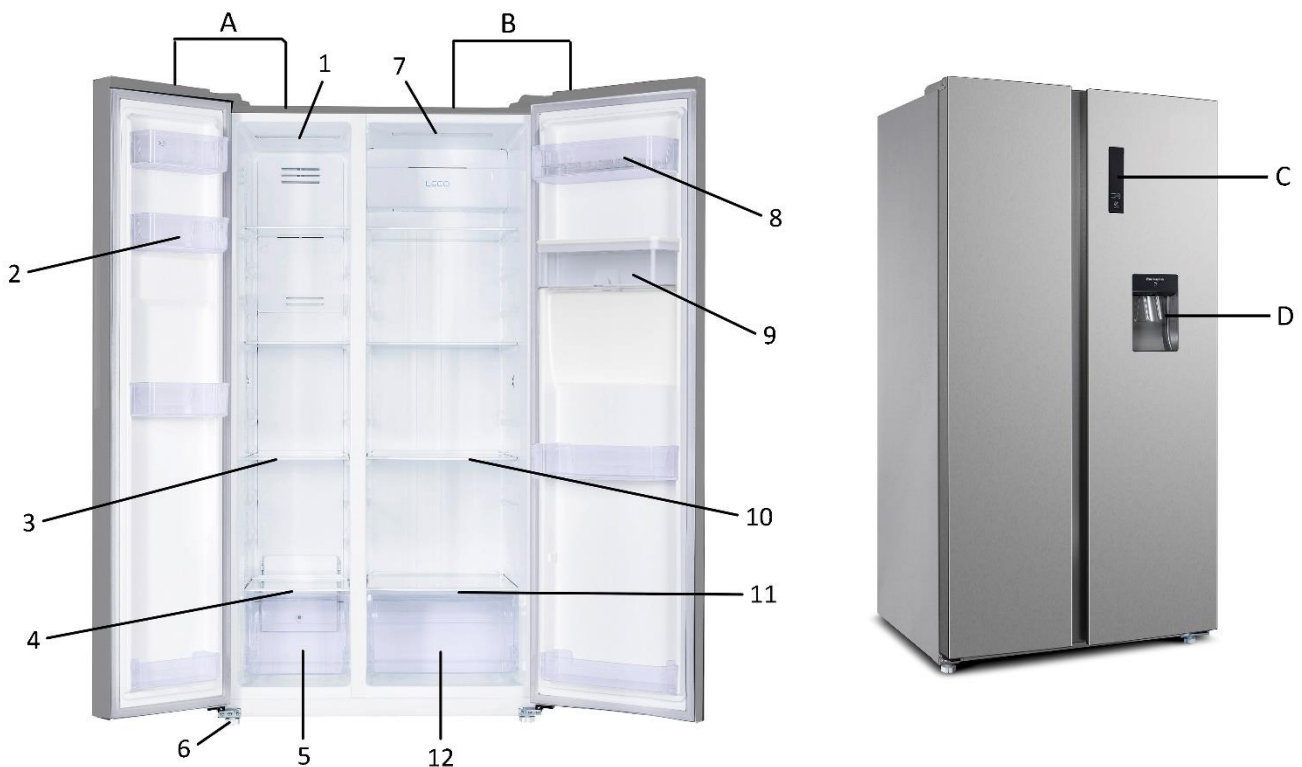
36. Bewahren Sie keine Behälter mit brennbaren Materialien wie Spraydosen, Feuerlöscher-Nachfüllpatronen etc. im Gerät auf.
37. Legen Sie keine kohlenensäurehaltigen oder sprudelnden Getränke in die Gefrierzone. Speiseeis am Stiel kann Kälteverbrennungen verursachen, wenn es unmittelbar nach Entnahme aus dem Gerät verzehrt wird.
38. Entnehmen Sie keine Produkte aus dem Gerät, wenn Ihre Hände feucht/nass sind, da dies zu Hautabschürfungen oder Kälteverbrennungen führen kann. Flaschen und Dosen dürfen nicht in die Gefrierzone gelegt werden, da sie platzen können, wenn ihr Inhalt gefriert.
39. Bewahren Sie keine brennbaren Gase oder Flüssigkeiten in Ihrem Gerät auf.
40. WARNUNG: Das Kältemittel und die Dämmstoffe, die in Ihrem Kühlschrank eingesetzt sind, müssen als Sondermüll entsorgt werden.
41. WARNUNG: Für Personen, die keine zugelassenen Servicemitarbeiter sind, ist es gefährlich, Reparaturen durchzuführen, bei denen die Abdeckungen entfernt werden. Versuchen Sie nicht, dieses Gerät selbst zu reparieren – es besteht die Gefahr eines Stromschlages.
42. WARNUNG: Werden Kühlgeräte – insbesondere kühle Gefriergeräte Typ I – für längere Zeit auf eine Temperatur eingestellt, die unterhalb des Temperaturbereichs liegt, für den das Kühlgerät ausgelegt ist, so kann es zu Ungleichmäßigkeiten in ihrem Betrieb kommen (etwa Auftauen von eingelagerten Produkten oder zu starke Aufwärmung des Tiefkühlfachs).
43. Durch den Einsatz eines freonfreien Kältemittels (R600a) und eines umweltfreundlichen Dämmschaums (Cyclopentan) schont der Kühlschrank die Ozonschicht und ist äußerst klimafreundlich. R600a ist entflammbar und in einem Kühlsystem versiegelt, aus dem es bei normalem Gebrauch nicht austreten kann. Kommt es infolge einer

Beschädigung des Kältemittelkreislaufs jedoch zum Austritt von Kältemittel, halten Sie das Gerät unbedingt von offenem Feuer fern und öffnen Sie zur Belüftung so schnell wie möglich die Fenster.

44. Dieses Gerät muss zu Ihrer Sicherheit ordnungsgemäß geerdet sein. Dieses Gerät verfügt über einen dreipoligen Netzstecker, der auf standardmäßige dreipolige Steckdosen passt und die Gefahr von Stromschlägen mindert. Versuchen Sie unter keinen Umständen, den dritten Pol vom mitgelieferten Netzkabel abzutrennen oder zu entfernen.
45. Dieses Kühlgerät benötigt eine dreipolige Standard-220-240VAC Steckdose mit 50/60Hz.



## SCHEMATISCHER AUFBAU



Hinweis: Aufgrund technologischer Innovationen stimmen die Produktbeschreibungen in diesem Handbuch möglicherweise nicht vollständig mit Ihrem Kühlschrank überein. Die Spezifikationen stimmen mit dem tatsächlichen Produkt überein.

**A. Gefrierschrankseite:**

1. LED-Leuchte
2. Gefrierschrank-Türfach
3. Glasregal
4. Gefrierschrank-Schubladenabdeckung
5. Gefrierschrank-Schublade
6. Nivellierfüße

**B. Kühlschrankseite:**

7. LED-Leuchte
8. Kühlschrank-Türfach
9. Wassertank
10. Glasregal
11. Abdeckung des Gemüsefachs
12. Gemüsefach

**C. Bedienfeld****D. Wasserspender****TRANSPORT UND HANDHABUNG**

Zum Transportieren das Unterteil festhalten und das Kühlgerät vorsichtig auf einen Winkel unter 45 Grad schräg anheben. Auf keinen Fall an den Türgriffen festhalten. Auf keinen Fall auf den Kopf stellen oder waagrecht ablegen. Dank der Laufrollen unter dem Gerät kann das Kühlgerät verschoben und abgestellt werden.

## AUFSTELLEN

Wählen Sie einen trockenen und gut belüfteten Ort, an dem keine korrosionsgefährdende Luft zirkuliert. Um die Kühlwirkung und Energieeffizienz zu verbessern, sollte für eine gute Belüftung rund um das Gerät gesorgt werden, damit die Wärme abgeführt werden kann. Deshalb sollte genügend Platz um das Kühlgerät herum frei bleiben.

## Belüftungsanforderungen

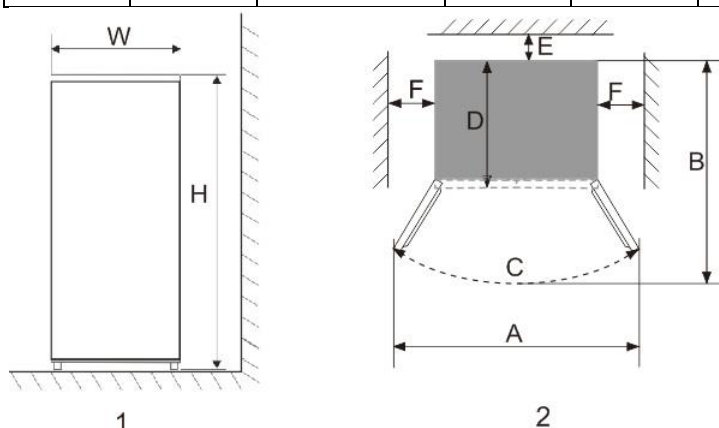
Achten Sie darauf, dass der Kühlschrank an einem Raum mit ausreichender Belüftung steht und keiner heißen Luft ausgesetzt ist. Stellen Sie den Kühlschrank nicht in der Nähe einer Wärmequelle wie dem Herd auf und schützen Sie ihn vor direkter Sonneneinstrahlung. Dies sorgt für eine wirksame Kühlleistung und mindert den Energieverbrauch. Stellen Sie den Kühlschrank nicht an einer feuchten Stelle auf, da er ansonsten rosten könnte oder Strom austreten könnte. Wird das Gesamtvolumen des Raums, in dem der Kühlschrank aufgestellt werden soll, durch das Volumen des Kühlschranks geteilt, so darf das Ergebnis nicht weniger als  $8 \text{ g/m}^3$  betragen. Hinweis: Die im Kühlschrank befindliche Kältemittelmenge ist dem Typenschild zu entnehmen.

## Wärmeableitungsraum

Beim Betrieb gibt der Kühlschrank Wärme an die Umgebung ab. Aus diesem Grund sollte oberhalb des Kühlschranks mindestens 300 mm Freiraum bleiben, zu beiden Seiten mehr als 100 mm und an der Rückseite des Kühlschranks mehr als 50 mm.

Abmessungen in mm:

W	D	H	A	B	C (°)	E	F
839	637	1763	1447	1013	140	50	100



Hinweis: Die Abbildungen 1 und 2 dienen nur zur Veranschaulichung des Platzbedarfs des Produkts.

## INBETRIEBNAHME

Justieren Sie die Gerätefüße und wischen Sie das Kühlgerät innen und außen mit einem warmen Tuch ab. Schalten Sie das Kühlgerät direkt nach dem vertikalen Aufstellen noch nicht ein. Warten Sie, bis es 2 -6 Stunden lang gestanden hat, um einen korrekten Betrieb sicherzustellen.

Um Schäden am Netzkabel sowie Folgeschäden zu vermeiden, darf das Netzkabel nicht vom Kühlgerät oder von anderen Gegenständen abgedeckt werden. Vor dem Einschalten des Kühlgeräts muss sichergestellt sein, dass der Spannungsbereich des Kühlgeräts mit dem des Versorgungsnetzes übereinstimmt.

Wenn das Kühlgerät zum ersten Mal aufgestellt wird, warten Sie mit dem Befüllen mit frischen oder gefrorenen Lebensmitteln, bis sich das Gerät bei normalen Betriebstemperaturen 2 - 3 Stunden lang stabilisiert hat.

Falls der Betrieb unterbrochen wird, warten Sie vor dem erneuten Einschalten 5 Minuten lang.

Stecken Sie den Stecker in die Wandsteckdose, um den Kompressor in Betrieb zu nehmen. Öffnen Sie nach 1 Stunde die Gefrierfachtür; sinkt die Temperatur im Gefrierfach erkennbar, bedeutet das, dass das Kühlsystem ordnungsgemäß funktioniert.

Ist der Kühlschrank eine Weile in Betrieb, richtet sich die Innentemperatur des Gerätes automatisch nach der Temperatureinstellung des Benutzers. Befüllen Sie den Kühlschrank mit Lebensmitteln, nachdem er vollständig gekühlt ist. In der Regel dauert es 2–3 Stunden bis die Lebensmittel vollständig gekühlt sind. Bei sommerlichen Temperaturen dauert es mehr als 4 Stunden, bis die Lebensmittel vollständig gekühlt sind. Öffnen Sie die Kühlschranktür nach Möglichkeit zu selten wie möglich, solange die Innentemperatur im Gerät noch nicht vollständig abgekühlt ist.

Befindet sich der Kühlschrank an einem feuchten Standort, vergewissern Sie sich unbedingt, dass das Erdungskabel und der Fehlerstromschutzschalter in ordnungsgemäßem Zustand sind. Falls Vibrationsgeräusche auftreten, weil der Kühlschrank die Wand berührt oder falls sich die Wand am Kompressor aufgrund von Luftkonvektion schwärzt, setzen Sie den Kühlschrank weiter von der Wand weg. Das Aufstellen des Kühlschranks kann zu Störgeräuschen oder Bildschirmflimmern auf dem Mobiltelefon, Festnetztelefon, Radioempfänger und Fernseher führen. Stellen Sie den Kühlschrank in diesem Fall in größtmöglicher Entfernung von den betroffenen Geräten auf.

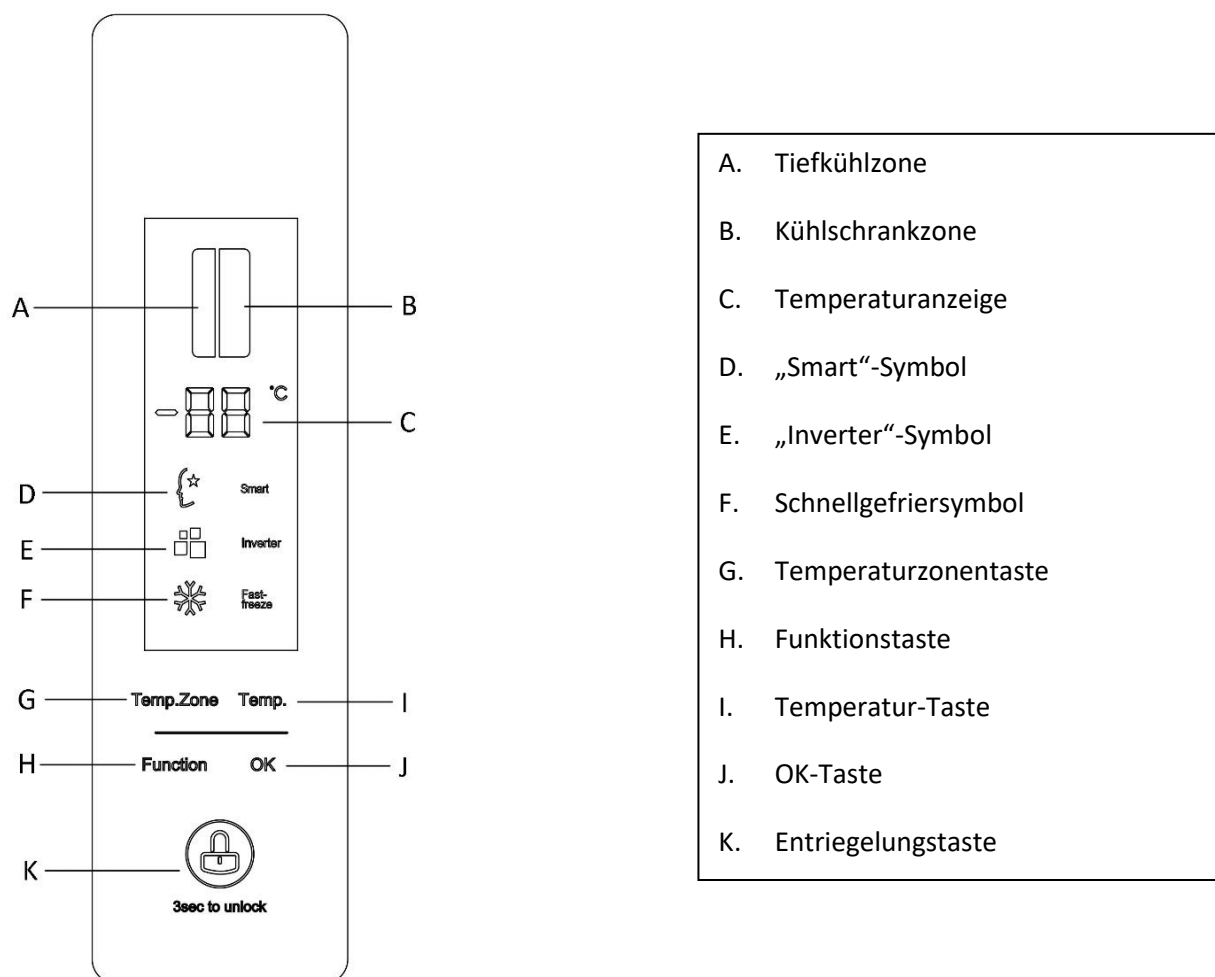
### BEDIENUNG (BEDIENFELD & DIGITALES DISPLAY)

Das Bedienfeld und das digitale Display befinden sich an der Türfront.

Wird das Kühlschranksystem zum ersten Mal an die Stromversorgung angeschlossen, leuchten alle Symbole auf dem Display 2 Sekunden lang auf und der Betrieb wird im Smart-Modus aufgenommen. Wenn alle Türen geschlossen werden und innerhalb von 3 Minuten keine Tastenbedienung erfolgt, so erlischt das Display automatisch. Wird eine Tür geöffnet oder eine Taste betätigt, so leuchtet das Display wieder auf.

Die folgenden Tastenfunktionen sind nur anwählbar, wenn die Tasten entsperrt sind und auf dem Display aufleuchten.

„Inverter“ zeigt die Frequenzumwandlung an. Er leuchtet auf, wenn der Kühlschrank eingeschaltet ist und der Kompressor läuft.



#### 1. Temperatureinstellung

Um die Kühl- oder Gefrierzone auszuwählen, halten Sie die Temperaturzonentaste so lange gedrückt, bis die entsprechende Zone flackert. Drücken Sie dann die Temperaturtaste, um die Temperatur nach Wunsch einzustellen. Drücken Sie abschließend die OK-Taste, um die Einstellung zu bestätigen.

- Für den Kühlschrank kann die Temperatur in folgender Reihenfolge verstellt werden:

5°C→6°C→7°C→8°C→OF→2°C→3°C→4°C→5°C

OF bedeutet, dass die Kühlschrankzone ausgeschaltet ist; wird die OF-Funktion betätigt, wird dieser Bereich nicht länger gekühlt.

Achtung: Nehmen Sie unbedingt alle Lebensmittel aus dem Kühlschrank, bevor Sie diese Einstellung betätigen.

- Die Temperatur für das Gefrierfach wird in der folgenden Reihenfolge eingestellt:
  - 18°C→-17°C→-16°C→-24°C→-23°C→-22°C→-21°C→-20°C→-19°C→-18°C

## 2. Schnellgefrierfunktion

- 1) Wird die Schnellgefrierfunktion aktiviert, so regelt sich die Gefriertemperatur automatisch auf -32 °C, bevor sich die Funktion nach 26 Stunden wieder ausschaltet. Das Gefrierfach schnell herunterzukühlen ist von Vorteil, um die Lebensmittel vor dem Verlust von Nährstoffen zu schützen und frisch zu halten.  
Achtung: Im Schnellgefriermodus kann die Temperatur des Gefrierfachs nicht manuell verstellt werden.
- 2) Aktivieren der Schnellgefrierfunktion  
Drücken Sie die Funktionstaste, um Schnelles Einfrieren (Fast Freeze) auszuwählen, bis das entsprechende Symbol flackert. Drücken Sie dann zur Bestätigung innerhalb von 5 Sekunden die OK-Taste. Wenn die OK-Taste nicht innerhalb von 5 Sekunden gedrückt wird, wird der Einstellvorgang abgebrochen.
- 3) Abbruch der Schnellgefrierfunktion  
Nach einer Gesamtdauer von 26 Stunden wird die Schnellgefrierfunktion automatisch abgebrochen.  
Um den Schnellgefriermodus zu verlassen, drücken Sie die Funktionstaste bis das Symbol des Schnellgefriermodus aufflackert. Drücken Sie dann die OK-Taste zur Bestätigung, um den Modus zu verlassen.  
Im Smart-Modus wird die Schnellgefrierfunktion automatisch deaktiviert.

## 3. Smart-Modus

- 1) Ist der Smart-Modus aktiviert, so wird die Temperatur des Kühlschranksbereichs auf 5 °C und die des Gefrierbereichs auf -18 °C geregelt. So werden die Lebensmittel bestmöglich gelagert und gleichzeitig ein effizienter und leistungsstarker Kühlbetrieb gewährleistet.

**Achtung: Im Smart-Modus bleiben die Temperaturen im Kühlbereich und im Gefrierbereich unverändert.**

- 2) Aktivieren der Smart-Funktion  
Drücken Sie die Funktionstaste, um den Smart-Modus auszuwählen, bis das entsprechende Symbol flackert. Drücken Sie dann zur Bestätigung innerhalb von 5 Sekunden die OK-Taste. Wenn die OK-Taste nicht innerhalb von 5 Sekunden gedrückt wird, wird der Einstellvorgang abgebrochen.
- 3) Abbruch der Smart-Funktion  
Drücken Sie bei aktiviertem Smart-Modus die Funktionstaste bis das Symbol des Smart-Modus flackert. Drücken Sie dann zur Bestätigung die OK-Taste. Die Smart-Funktion wird abgebrochen.  
Im Schnellgefriermodus wird der Smart-Modus automatisch deaktiviert.

## 4. Kindersicherung

- 1) Bei aktivierter Kindersicherung können die Temperatur- und Moduseinstellungen nicht verändert werden, um eine Fehlbedienung zu verhindern.
- 2) Wird innerhalb von 3 Minuten keine Taste betätigt, so wird die Kindersicherung automatisch aktiviert.
- 3) Manueller Abbruch der Kindersicherung:  
Halten Sie die Entsperrtaste 3 Sekunden lang gedrückt. Danach kann die Kindersicherung deaktiviert werden.

## 5. „Geöffnete Tür“-Alarm

Für den Fall, dass eine Tür länger als 3 Minuten geöffnet ist, wird ein Alarm aktiviert. Die brummenden Alarmtöne können durch Betätigung einer beliebigen Taste unterbrochen werden; bleibt die Tür nach 3 Minuten weiter geöffnet, werden die Alarmtöne erneut abgegeben. Die Alarme werden erst ausgelöst, wenn die Tür geschlossen ist.

## 6. Memory-Funktion für Stromausfälle

Im Falle eines Stromausfalls bleibt der vor dem Stromausfall ausgewählte Betrieb eingestellt und wird bei wiederhergestellter Stromversorgung unverändert aufgenommen.

## 7. Einschaltverzögerung

Um den Kühlschrankkompressor vor einer Beschädigung infolge kurzer (d. h. weniger als 5 Minuten andauernder) Stromausfälle zu schützen, schaltet sich der Kompressor nicht sofort nach dem Einschalten wieder ein.

## 8. „Erhöhte Temperatur“-Alarm (nur nach Stromausfall)

Wenn das Kühlsystem eingeschaltet ist und die Temperatur des Gefriersensors über -10 °C liegt, flackert die Gefrierzone auf dem Display. Die Gefriertemperatur kann durch Drücken einer beliebigen Taste angezeigt werden. Nach nochmaligem Drücken einer Taste oder nach Ablauf von 10 Sekunden wird die normale Anzeige wiederhergestellt.

## 9. Fehleralarm

Die Anzeige von E0, E1, E2, EH oder EC auf dem Bedienfeld informiert Sie über eine Störung des Kühlschranks. Wenden Sie sich bitte an den Kundendienst.

**Hinweis:** Die Temperatur beeinflusst die Aufbewahrungsdauer der Lebensmittel. Stellen Sie die Temperatur ganz nach Bedarf ein. Bei einer wärmeren Temperatur verderben die Lebensmittel schneller und bei einer kälteren Temperatur gefrieren sie zu stark. Beides führt zur Verschwendung von Lebensmitteln.

## AUFBEWAHRUNG VON LEBENSMITTELN

Das Gerät ist generell mit dem Zubehör ausgestattet, das in der „SCHEMATISCHER AUFBAU“ Abbildung dargestellt ist. Dieser Anleitungsteil erläutert die richtige Aufbewahrung für die verschiedenen Lebensmittel.

**Hinweis:** Die Lebensmittel dürfen die Innenflächen des Geräts nicht direkt berühren. Sie müssen separat in Alufolie oder Zellophan eingeschlagen oder in luftdichten Kunststoffbehältern aufbewahrt werden.

### Aufbewahren von Lebensmitteln im Kühlfach

Um die Aufbewahrungsdauer frischer verderblicher Lebensmittel zu verlängern, kann das Kühlfach verwendet werden.

Optimale Nutzung durch sorgfältige Aufbewahrung von Frischwaren:

- Bewahren Sie Lebensmittel auf, die sehr frisch und von hoher Qualität sind.
- Die Lebensmittel müssen vor dem Lagern gut eingewickelt oder abgedeckt sein. Dadurch wird verhindert, dass die Lebensmittel austrocknen, sich verfärben oder Aroma verlieren und sie bleiben länger frisch. Außerdem wird dadurch verhindert, dass Gerüche übertragen werden. Obst und Gemüse müssen nicht eingeschlagen werden, wenn sie im Gemüsefach des Kühlschranks aufbewahrt werden.
- Stark riechende Lebensmittel sollten eingeschlagen oder abgedeckt und von Zutaten wie Butter, Milch und Sahne entfernt gelagert werden, da diese Lebensmittel durch strenge Aromen geschmacklich verändert werden.
- Lassen Sie warme Speisen abkühlen, bevor Sie sie in das Kühlfach stellen.

**Kühlschrankregal:** Um eine Ablagefläche herauszunehmen, heben Sie diese zuerst an und ziehen Sie sie dann heraus. Zum Einlegen, die Ablagefläche zunächst auf die gewünschte Position setzen und danach einlegen. Halten Sie die Kante am hinteren Ende der Ablagefläche oben, damit die Lebensmittel die Innenwand nicht berühren. Beim Herausnehmen oder Einlegen der Ablagefläche, diese fest greifen und behutsam behandeln, damit sie nicht beschädigt wird.

**Frischhaltefach:** Das Frischhaltefach herausziehen, um die dort aufbewahrten Lebensmittel zu entnehmen. Legen Sie die Abdeckplatte des Frischhaltefachs nach Reinigung oder Gebrauch unbedingt wieder aus das Frischhaltefach, um die Innentemperatur des Fachs nicht zu beeinträchtigen.

**Kühlschranktürfach:** Das Flaschenfach mit beiden Händen greifen und dann nach oben ziehen.

### Eier und Milchprodukte

- Auf allen fertig verpackten Milchprodukten ist ein „MHD“ (Mindesthaltbarkeitsdatum) bzw. eine „Mindesthaltbarkeit“ abgedruckt. Bewahren Sie diese Artikel im Kühlfach auf und verbrauchen Sie sie innerhalb des angegebenen Zeitraums.
- Butter kann sich geschmacklich durch streng riechende Lebensmittel verändern. Daher sollte sie in einem geschlossenen Behälter aufbewahrt werden.
- Eier sollten im Kühlfach aufbewahrt werden.

### Rotes Fleisch

- Legen Sie frisches rotes Fleisch auf einen Teller und decken Sie es lose mit Wachspapier oder Frischhaltefolie ab.
- Bewahren Sie gegartes und rohes Fleisch auf getrennten Tellern auf. Dadurch wird verhindert, dass die vom rohen Fleisch abtropfende Flüssigkeit in das Gargut eindringt.

## Geflügel

- Frisches ganzes Geflügel sollte innen und außen mit kaltem Wasser gut abgespült, getrocknet und auf einen Teller gelegt werden. Anschließend lose in Kunststoffolie einschlagen.
- Auch Geflügelstücke sollten so aufbewahrt werden. Ganzes Geflügel sollte immer erst direkt vor der Zubereitung gefüllt werden. Andernfalls kann es zu einer Lebensmittelvergiftung kommen.

## Fisch und Meeresfrüchte

- Ganze Fische und Filets sollten am Kauftag konsumiert werden. Bis zum Verbrauch auf einem Teller lose abgedeckt mit Kunststoffolie oder Wachspapier aufbewahren.
- Bei Aufbewahrung über Nacht oder länger ist besonders darauf zu achten, dass der Fisch sehr frisch ist. Ganzer Fisch sollte unter kaltem Wasser abgespült werden, um lose Schuppen und Schmutz zu beseitigen. Anschließend den Fisch mit Papiertuch trocken tupfen. Ganzen Fisch oder Filets in verschließbaren Kunststoffbeuteln aufbewahren.
- Schalentiere stets gekühlt halten. Innerhalb von 1-2 Tagen aufgebrauchen.

## Vorgegarte Lebensmittel und Reste

- Diese sollten in geeigneten zugedeckten Behältern aufbewahrt werden, damit sie nicht austrocknen.
- Nur 1 - 2 Tage aufbewahren.
- Reste vom Vortag nur einmal aufwärmen, bis sie dampfend heiß sind.

## Gemüsebehälter

- Der Gemüsebehälter ist die optimale Aufbewahrungsmöglichkeit für frisches Obst und Gemüse.
- Folgende Lebensmittel sollten für längere Zeit nicht bei Temperaturen unter 7°C gelagert werden: Zitrusfrüchte, Melonen, Ananas, Papayas, Passionsfrüchte, Gurken, Paprika, Tomaten.
- Bei tiefen Temperaturen kann es sonst zu unerwünschten Veränderungen kommen, wie z. B. weich werdendes Fruchtfleisch, Braunfärbungen und/oder schnelleres Verderben.
- Avocados, Bananen und Mangos nicht ins Kühlfach legen, bevor sie reif sind.

Lebensmittel	Ort
Butter, Käse	Oberes Türfach
Eier	Türfach
Obst, Gemüse, Salat	Frischhaltefach
Fleisch, Wurst, Käse, Milch	Unterer Einschub (unteres Regal / Abdeckung des Frischhaltefachs)
Milchprodukte, Dosenspeisen, Dosen	Oberer Bereich oder Türfach
Getränke, Flaschen, Dosen	Türfach

## Lebensmittel in den Gefrierfächern einfrieren und lagern

- Zum Aufbewahren von Tiefkühlahrung.
- Zum Herstellen von Eiswürfeln.
- Zum Einfrieren von Lebensmitteln.

**Hinweis:** Achten Sie darauf, dass die Tür des Gefrierfachs korrekt schließt.

## Tiefkühlprodukte kaufen

- Die Verpackung darf nicht beschädigt sein.
- Bis zum Verfallsdatum/MHD verbrauchen.
- Tiefkühlprodukte nach Möglichkeit in Isoliertaschen transportieren und schnell in das Gefrierfach legen.

## Tiefkühlprodukte lagern

Bei -18°C oder kälter lagern. Ein unnötiges Öffnen der Tiefkühltür vermeiden.

## FrISCHE Zutaten einfrieren

Nur frische und unbeschädigte Zutaten einfrieren.

Gemüse sollte vor dem Einfrieren blanchiert werden, um die Nährwerte, den Geschmack und die Farbe so gut wie möglich zu erhalten.

Auberginen, Paprika, Zucchini und Spargel müssen nicht blanchiert werden.

**Hinweis:** Einzufrierende Lebensmittel von bereits gefrorenen Zutaten getrennt halten.

- Folgende Lebensmittel sind zum Einfrieren geeignet:

Kuchen und Gebäck, Fisch und Meeresfrüchte, Fleisch, Wild, Geflügel, Gemüse, Obst, Kräuter, Eier ohne Schale, Milchprodukte wie Käse und Butter, Fertiggerichte und Reste wie Suppen, Eintöpfe, gegartes Fleisch und Fisch, Kartoffelgerichte, Soufflés und Desserts.

- Folgende Lebensmittel sind zum Einfrieren nicht geeignet:

Gemüsesorten, die in der Regel roh verzehrt werden, z. B. Kopfsalat oder Radieschen, Eier in Schale, Weintrauben, ganze Äpfel, Birnen und Pfirsiche, hart gekochte Eier, Joghurt, Dickmilch, saure Sahne und Mayonnaise.

**Tiefkühlprodukte verpacken**

Damit die Lebensmittel nicht an Geschmack verlieren oder austrocknen, sollten sie luftdicht verpackt werden.

1. Lebensmittel in die Verpackung legen.
2. Die Luft verdrängen.
3. Die Folierung verschließen.
4. Den Inhalt und das Einfrierdatum auf der Verpackung anbringen.

Geeignete Verpackung:

Kunststofffolie, Schlauchbeutel aus Polyethylen, Aluminiumfolie. Diese Artikel sind im Fachhandel erhältlich.

**Empfohlene Aufbewahrungszeiten für Tiefkühlware in den Gefrierfächern**

Die Zeitangaben hängen vom jeweiligen Tiefkühlgut ab. Die tiefgekühlten Lebensmittel lassen sich 1 bis 12 Monate lang (bei mindestens -18°C) einfrieren.

Lebensmittel	Aufbewahrungsdauer
Schinken, Auflauf, Milch	1 Monat
Brot, Speiseeis, Würstchen, Pasteten, zubereitete Schalentiere, Fettfisch	2 Monate
Weißer Fisch, Schalentiere, Pizza, Scones und Muffins	3 Monate
Schinken, Kuchen, Kekse, Rind und Lammhaxen, Geflügelteile	4 Monate
Butter, Gemüse (blanchiert), ganze Eier und Eigelb, gekochte Langusten, Hackfleisch (roh), Schweinefleisch (roh)	6 Monate
Obst (trocken oder in Sirup), Eiweiß, Rindfleisch (roh), ganze Hähnchen, Lamm (roh), Obstkuchen	12 Monate

**Nicht vergessen:**

- Beim Einfrieren frischer Lebensmittel mit einem Ablauf-/MHD-Datum müssen diese vor Ablauf des Datums eingefroren werden.
- Vergewissern Sie sich, dass die Lebensmittel nicht bereits eingefroren waren. Tiefkühlzutaten, die vollständig aufgetaut sind, dürfen nicht wieder eingefroren werden.
- Nach dem Auftauen sollten die Zutaten so schnell wie möglich verbraucht werden.
- Stellen Sie keine mit Flüssigkeit gefüllten Glasbehältnisse in das Tiefkühlfach, da das Glas platzen kann.

**Schnelles Einfrieren:**

- Weitere Informationen finden Sie in der Beschreibung der Schnellgefrierfunktion im Abschnitt „BEDIENUNG“.
- Im Vergleich zum üblichen Einfriervorgang ermöglicht das schnelle Einfrieren, dass Lebensmittel den Bereich, in dem die meisten Eiskristalle gebildet werden, so schnell wie möglich durchlaufen. Beim schnellen Einfrieren kann der Wassergehalt der Lebensmittel in feine Eiskristalle umgewandelt werden, ohne die Zellmembran zu beschädigen. Si geht der Zellsaft beim Auftauen nicht verloren und die ursprüngliche Frische und der Nährwert der Lebensmittel bleibt erhalten.
- Die Schnellgefrierfunktion wurde entwickelt, um den Nährwert von Tiefkühlkost zu erhalten und Lebensmittel gründlich und so schnell wie möglich einzugefrieren. Schnelles Einfrieren verbraucht mehr Energie als das normale Einfrieren.

**NÜTZLICHE TIPPS UND HINWEISE**

- Vermeiden Sie es nach Möglichkeit, die Tür zu lange geöffnet zu lassen. Das spart Energie.
- Stellen Sie sicher, dass das Gerät nicht in der Nähe von Wärmequellen steht (direktes Sonnenlicht, Elektroofen oder Kochgerät etc.)

- Bewahren Sie keine warmen Speisen oder dampfenden Flüssigkeiten im Gerät auf.
- Die Zutaten gut verstauen, sodass sie von allen Seiten gut belüftet werden.

### Gerät ausschalten

Falls das Gerät längere Zeit ausgeschaltet werden muss, gehen Sie wie folgt vor, um Schimmelbildung im Gerät zu vermeiden.

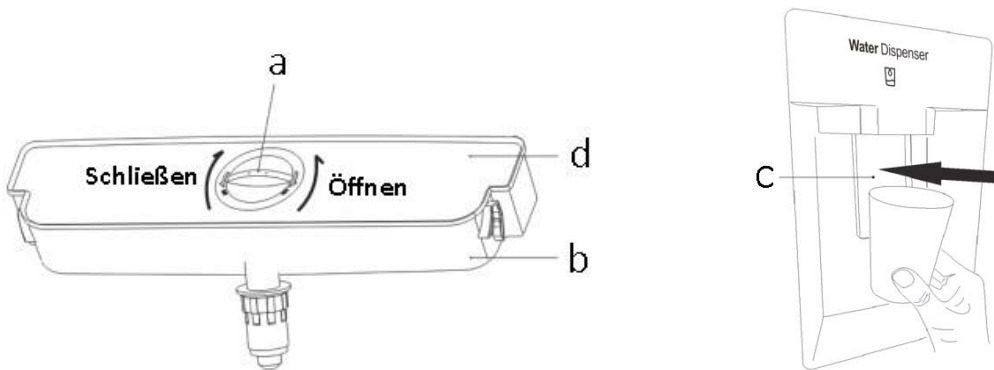
1. Entfernen Sie alle Lebensmittel.
2. Ziehen Sie den Netzstecker aus der Steckdose.
3. Reinigen und trocknen Sie den Innenraum gründlich.
4. Sorgen Sie mit einem Keil dafür, dass alle Türen leicht geöffnet bleiben, damit die Luft zirkulieren kann.

### So verwenden Sie die Eisbox

Stellen Sie die Eisbox in die obere Position des Gefrierfachs, damit sie so schnell wie möglich gefriert.

### WASSERSPENDER

Der Kühlschrank enthält einen Wasserspender, mit dem Sie bequem Ihr Glas nachfüllen können und kaltes Wasser immer griffbereit haben. Der Wasserspender enthält einen **2,5** Liter Wasser fassenden Behälter, der gefüllt werden muss. Befolgen Sie die folgenden Anweisungen, um den Wasserspender zu verwenden:



1. Öffnen Sie die Kühlschranktür, um die sichere Fixierung des Wasserspenders zu prüfen.
2. Öffnen Sie die Einfüllabdeckung (a) des Wassertanks (b) und befüllen Sie den Wasserbehälter behutsam, damit kein Wasser verschüttet wird. Schließen Sie danach die Einfüllabdeckung des Wasserbehälters.
3. Ist der Wasserbehälter fertig befüllt, regeln Sie den Kühlschrankbereich auf die niedrigste Temperatur – eine Stunde später können Sie den Wasserschalter (c) betätigen, um erfrischendes Wasser zapfen.
4. Bei der Verwendung des Wasserspenders kann etwas Wasser nachtropfen und sich am Boden des Wasserspenders ansammeln. Wischen Sie Rückstände bei Bedarf mit einem Tuch ab.
5. Das Wasser darf nicht bis zur Abdeckung des Behälters (d) befüllt werden, sondern höchstens bis zur Markierung des maximalen Einfüllstands.

**Hinweis:** Entfernen Sie das Glas erst dann, wenn kein Wasser mehr nachtropft.

### REINIGUNG UND PFLEGE

**Ziehen Sie den Netzstecker, bevor Sie den Behälter reinigen. Stecken Sie den Stecker nicht mit nassen Händen ein oder aus – es besteht Stromschlag- und Verletzungsgefahr. Geben Sie direkt auf den Kühlschrank kein Wasser, um das Gerät vor Rost zu schützen und Stromaustritt und Unfälle zu vermeiden. Reichen Sie mit den Händen nicht bis zum Innenboden des Kühlschranks, da sie ansonsten von scharfen Metallzacken verletzt werden könnten.**

#### Reinigung von außen

- Damit das Gerät äußerlich einen guten Eindruck macht, sollten Sie es regelmäßig reinigen.
- Sprühen Sie Wasser auf einen Putzlappen und nicht direkt auf die Geräteflächen. Dadurch verteilt sich die Feuchtigkeit gleichmäßig über die Fläche.

#### Hinweis!

Benutzen Sie keine scharfkantigen Gegenstände, denn sie zerkratzen die Oberfläche. Benutzen Sie keine Verdüner, Autoreiniger, Clorox, ätherischen Öle, Scheuermittel oder organischen Lösungsmittel wie Benzol für die Reinigung. Diese können die Oberfläche des Geräts angreifen und einen Brand hervorrufen.



### Reinigung von innen:

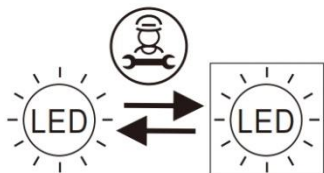
Das Geräteinnere sollten Sie regelmäßig reinigen. Bei geringer Befüllung ist es leichter zu reinigen. Wischen Sie die Innenbereiche der Kühl-/Gefrierkombination mit einer schwachen Lösung Natriumbicarbonat ab und wischen Sie dann mit warmem Wasser und einem ausgewrungenen Schwamm oder Lappen nach. Wischen Sie die Flächen ganz trocken, bevor Sie die Regale und Ablagen wieder einräumen. Wischen Sie alle Flächen und entnehmbaren Teile vollständig trocken.

**Vorsicht!** Achten Sie darauf, dass in den Lampensockel und in andere Elektroteile kein Wasser gelangt.

**Achtung:** Verwenden Sie keine Bürsten mit Metall- oder Stahlborsten, Waschmittel, Seifenpulver, alkalisches Reinigungsmittel, Benzol, Benzin, Säure, heißes Wasser und andere korrosive oder lösliche Gegenstände, da Sie ansonsten Oberfläche des Gerätes, die Türdichtung, Zierelemente aus Kunststoff usw. beschädigen könnten. Wischen Sie die Türdichtung vorsichtig ab und reinigen Sie die Rille mit einem mit Baumwolle umwickelten Holzstäbchen. Nach der Reinigung zuerst die vier Ecken der Türdichtung fixieren und danach eine Seite nach der anderen in die Türnut einbetten.

### Austauschen der LED-Leuchte

**Warnung:** Die LED-Leuchte darf nicht durch den Anwender ausgetauscht werden! Wenn die LED-Leuchte beschädigt ist, wenden Sie sich zur Reparatur an eine autorisierte Kundendienststelle.



Lichtquelle, die nur durch einen Fachmann ausgetauscht werden darf (nur LED).

Dieses Produkt enthält eine Lichtquelle der Energieeffizienzklasse G.

### Unterbrechung der Stromversorgung oder Ausfall des Kühlsystems

- Entnehmen Sie die aufbewahrte Tiefkühlkost, falls der Betrieb des Kühlgeräts über einen längeren Zeitraum ausgesetzt wird (z. B. aufgrund eines Stromausfalls oder eines Defekts des Kühlsystems).
- Öffnen Sie die Kühlschranktür nach Möglichkeit so selten wie möglich. So können Sie Ihre Lebensmittel selbst bei heißen Temperaturen über Stunden frisch und verzehrsicher aufbewahren.
- Falls Sie im Voraus über eine Unterbrechung der Stromversorgung informiert werden:
  - Stellen Sie eine Stunde vor der Unterbrechung einen starken Kühlmodus ein, damit die Lebensmittel vollständig eingefroren werden (Geben Sie in diesem Zeitraum keine zusätzlichen Lebensmittel hinzu!). Stellen Sie den Temperaturmodus auf die ursprüngliche Einstellung, wenn die Stromversorgung wie vorgesehen wieder hergestellt ist.
  - Sie können auch Eis in einem wasserdichten Behälter herstellen und dieses in den oberen Teil des Gefrierfachs legen, um Ihre Lebensmittel über einen längeren Zeitraum frisch zu halten.

**Hinweis: Sobald Sie den Kühlschrank in Betrieb genommen haben, ist es empfehlenswert, ihn ohne Unterbrechung in Betrieb zu halten. Um seine Lebensdauer nicht zu beeinträchtigen, sollten Sie ihn unter normalen Umständen nicht ausschalten.**

### Abtauen

Dieses Gerät verfügt über eine automatische Abtaufunktion. Manuelles Abtauen ist nicht notwendig.

### TECHNISCHE DATEN

Nennspannung:	220-240 VAC
Bemessungsstrom:	1,9 A
Nennfrequenz:	50/60 Hz
Abtauleistung:	220 W
Klimakategorie:	SN/N/ST/T
Kältemittel:	R600a (72 g)
Stromschlag-Schutzisolation:	I
Dämmstoff:	CYCLOPENTAN

**Klimaklasse:**

- SN (Subnormal): Das Kühlgerät eignet sich für Umgebungstemperaturen von 10 bis 32 °C.
- N (Normal): Das Kühlgerät eignet sich für Umgebungstemperaturen von 16 bis 32 °C.
- ST (Subtropisch): Das Kühlgerät eignet sich für Umgebungstemperaturen von 16 bis 38 °C.
- T (Tropisch): Das Kühlgerät eignet sich für Umgebungstemperaturen von 16 bis 43 °C.

Hinweis: Je nach den Grenzwerten, die hinsichtlich der Umgebungstemperaturspannen für einzelne Klimaklassen gelten, für die das Kühlgerät ausgelegt ist, und angesichts der Tatsache, dass die Innentemperaturen durch Faktoren wie den Standort des Kühlgeräts, die Umgebungstemperatur und die Häufigkeit des Öffnens der Tür beeinflusst werden können, müssen die Einstellungen von Temperaturreglern möglicherweise angepasst werden, um diesen Faktoren Rechnung zu tragen.

Bei Betrieb in einer anderen Umgebung als dem angegebenen Klimatyp (d. h. außerhalb des Nennumgebungstemperaturbereichs) ist das Gerät möglicherweise nicht in der Lage, dauerhaft die gewünschten Temperaturen zu halten.

**Hinweis:** Für weitere Daten und Informationen scannen Sie den QR-Code auf dem Aufkleber mit dem Energienachweis.

**FEHLERBEHEBUNG**

Symptom	Ursache	Lösung
Das Gerät funktioniert nicht.	Kein Strom.	Vergewissern Sie sich, dass das Gerät an die Steckdose angeschlossen ist.
	Die Sicherung ist defekt.	Wechseln Sie die Sicherung aus.
Das Gerät gibt laute Geräusche von sich.	Das Gerät steht zu nah an der Wand, wackelt oder das Zubehör im Gerät ist nicht richtig angeordnet.	Verstellen Sie Gerätefüße so, dass das Kühlgerät fest auf dem Boden steht. Entfernen Sie das Gerät von der Wand und ordnen Sie das Zubehör im Kühlgerät richtig ein.
Das Gerät kühlt nicht genug.	Die Tür wurde zu häufig geöffnet oder wurde zu lange geöffnet gelassen.	Schließen Sie die Tür und öffnen Sie sie nicht zu häufig.
	Der Kühlschrank steht zu nah an der Wand.	Ziehen Sie das Gerät von der Wand weg, um für Belüftung zu sorgen.
	Das Kühlgerät ist zu voll.	Nehmen Sie Kühlware aus dem Gerät.
Das Gerät riecht von innen.	Im Kühlgerät verderben Lebensmittel.	Verdorbenes Lebensmittel entsorgen und die übrige Ware einwickeln.
	Das Gerät muss von innen gereinigt werden.	Reinigen Sie den Innenraum des Kühlgeräts.
Keine Reaktion auf Tastendruck	Überprüfen Sie, ob die Kindersicherung auf dem Display als aktiviert angezeigt wird.	Halten Sie die Entsperrtaste 3 Sekunden lang gedrückt. (Weitere Informationen finden Sie unter „Kindersicherung“ im Abschnitt „BEDIENUNG“.)
Temperatureinstellung nicht möglich	Überprüfen Sie, ob die Smart- oder Schnellgefrierfunktion auf dem Display als aktiviert angezeigt wird.	Verlassen Sie den Spezialfunktionsmodus und stellen Sie dann die Temperatur ein (nähere Hinweise hierzu finden Sie im Abschnitt „BEDIENUNG“).
Die Gefriertemperatur blinkt auf dem Display.	Gab es einen Stromausfall?	Drücken Sie eine beliebige Taste, um den Alarm abubrechen (siehe unter „Überhöhte Temperatur“-Alarm im Abschnitt „BEDIENUNG“) und überprüfen Sie dann, ob die Lebensmittel im Gerät verdorben sind.

### Bei folgenden Symptomen handelt es sich nicht um Störungen:

- Das Geräusch des zirkulierenden Kältemittels in den Kälteleitungen ist zu hören, das ist nicht ungewöhnlich.
- Die Feuchtigkeit, die sich in der feuchten Jahreszeit außen am Gerät bildet, ist kein Geräteproblem. Wischen Sie sie einfach mit einem trockenen weichen Tuch ab.
- In der wärmeren Jahreszeit können sich der Kompressor und der Verdichter stärker erwärmen.
- Der Türrahmen wird etwas wärmer. Das bedeutet, dass der Verdichter arbeitet, um die Feuchtigkeit in der Luft abzuführen.

### Es ist normal, dass das Geräusch des Motors häufig zu hören ist; er muss unter den folgenden Umständen mehr laufen:

- Temperatur ist kälter als nötig eingestellt.
- Große Mengen an warmen Speisen wurden kürzlich im Gerät eingelagert.
- Die Temperatur außerhalb des Geräts ist zu hoch.
- Türen werden zu lange oder zu oft offen gehalten.
- Nach der Aufstellung des Geräts oder wenn das Gerät längere Zeit ausgeschaltet war.

### GARANTIE UND KUNDENSERVICE

Vor der Lieferung werden unsere Geräte einer strengen Qualitätskontrolle unterzogen. Wenn, trotz aller Sorgfalt, während der Produktion oder dem Transport Beschädigungen aufgetreten sind, senden Sie das Gerät zurück an den Händler. Zusätzlich zu den gesetzlichen Rechten hat der Käufer die Option, gemäß den folgenden Bedingungen Garantie zu fordern:

Wir bieten eine 2-Jahres-Garantie für das erworbene Gerät, beginnend am Tag des Verkaufs. Defekte, die aufgrund von unangemessenem Umgang mit dem Gerät entstehen und Störungen aufgrund von Eingriffen und Reparaturen Dritter oder das Montieren von nicht-Originalteilen werden nicht von dieser Garantie abgedeckt. Die Quittung immer aufbewahren, ohne Quittung wird jegliche Garantie ausgeschlossen. Bei Schäden durch Nichteinhalten der Bedienungsanleitung erlischt die Garantie, Wir sind für daraus resultierende Folgeschäden nicht haftbar. Für Materialschäden oder Verletzungen aufgrund falscher Anwendung oder Nichtbefolgen der Sicherheitshinweise sind wir nicht haftbar. Schäden an den Zubehörteilen bedeutet nicht, dass das gesamte Gerät kostenlos ausgetauscht wird. In diesem Fall kontaktieren Sie unseren Kundendienst. Zerbrochenes Glas oder Kunststoffteile sind immer kostenpflichtig. Schäden an Verbrauchsmaterialien oder Verschleißteilen, sowie Reinigung, Wartung oder Austausch der besagten Teile werden durch die Garantie nicht abgedeckt und sind deshalb kostenpflichtig.

Für Ersatzteile gilt ein Garantiezeitraum von 2 Jahren. Bitte wenden Sie sich an unseren Kundenservice, falls Sie Ersatzteile benötigen.

### UMWELTGERECHTE ENTSORGUNG



Wiederverwertung – Europäischen Richtlinie 2012/19/EG

Dieses Symbol zeigt an, dass das Produkt nicht zusammen mit Haushaltsabfällen entsorgt werden darf.

Um Umwelt- und Gesundheitsschäden durch unkontrollierte Abfallentsorgung zu verhindern, bitte verantwortungsbewusst entsorgen, um die nachhaltige Wiederverwertung von Ressourcen zu fördern.

Nutzen Sie zur Rückgabe Ihres Altgeräts bitte die Rückgabe- und Sammelsysteme oder wenden Sie sich an den Händler bei dem Sie dieses Gerät erworben haben. Dieser kann das Gerät umweltschonend entsorgen.

Für eine professionelle Reparatur und das Bestellen von Ersatzteilen wenden Sie sich bitte an unseren Kundendienst.

Emerio B.V.  
Zomervaart 1A  
2033 DA Haarlem  
The Netherlands

**Customer service:**  
T: +31 (0) 23 3034369  
E: info@emerio.eu

**Kundeninformation:**  
T: +49 (0) 3222 1097 600  
E: info.de@emerio.eu

**Klantenservice:**  
T: +31 (0) 23 3034369  
E: info.nl@emerio.eu

## CONSIGNES DE SECURITÉ

Avant d'utiliser l'appareil, lisez toutes les consignes suivantes pour éviter des blessures et des dommages, et pour optimiser les performances de votre appareil. Conservez cette notice d'utilisation dans un endroit sûr. Si vous donnez ou transférez cet appareil à un tiers, veillez à lui remettre également cette notice d'utilisation.

En cas de détérioration due au non-respect par l'utilisateur des instructions de cette notice d'utilisation, la garantie est annulée. Le fabricant/importateur rejette toute responsabilité en cas de dommages dus au non-respect des instructions de la notice d'utilisation, à un usage négligent ou à l'usage non conforme aux exigences de cette notice d'utilisation.

1. Lisez et conservez ces instructions. Attention: les images incluses dans le manuel d'instructions servent de référence seulement.
2. Cet appareil peut être utilisé par des enfants âgés d'au moins 8 ans et par des personnes ayant des capacités physiques, sensorielles ou mentales réduites ou dénuées d'expérience ou de connaissance, s'ils (si elles) sont correctement surveillé(e)s ou si des instructions relatives à l'utilisation de l'appareil en toute sécurité leur ont été données et si les risques encourus ont été appréhendés. Les enfants ne doivent pas jouer avec l'appareil. Le nettoyage et l'entretien par l'utilisateur ne doivent pas être effectués par des enfants sans surveillance.
3. Les enfants âgés de 3 à 8 ans sont autorisés à charger et décharger les appareils de réfrigération.
4. Si le câble d'alimentation est endommagé, il doit être remplacé par le fabricant, son service après vente ou des personnes de qualification similaire afin d'éviter un danger.
5. **MISE EN GARDE** : Maintenir dégagées les ouvertures de ventilation dans l'enceinte de l'appareil ou dans la structure d'encastrement.

6. **MISE EN GARDE** : Ne pas utiliser de dispositifs mécaniques ou autres moyens pour accélérer le processus de dégivrage autres que ceux recommandés par le fabricant.
7. **MISE EN GARDE** : Ne pas endommager le circuit de réfrigération.
8. **MISE EN GARDE** : Ne pas utiliser d'appareils électriques à l'intérieur du compartiment de stockage des denrées, à moins qu'ils ne soient du type recommandé par le fabricant.
9. Ne pas stocker dans cet appareil des substances explosives telles que des aérosols contenant des gaz propulseurs inflammables.
10. Cet appareil est destiné à être utilisé dans des applications domestiques et analogues telles que:
  - les coins cuisines réservés au personnel des magasins, bureaux et autres environnements professionnels;
  - les fermes et l'utilisation par les clients des hôtels, motels et autres environnements à caractère résidentiel;
  - les environnements de type chambres d'hôtes;
  - la restauration et autres applications similaires hormis la vente au détail.
11. **Avertissement** : Lors du positionnement de l'appareil, assurez-vous que le cordon d'alimentation n'est pas tordu ou endommagé.
12. **Avertissement** : Ne pas installer plusieurs prises de courant portatives ou blocs d'alimentation portatifs à l'arrière de l'appareil.
13. Pour éviter la contamination des aliments, il y a lieu de respecter les instructions suivantes :
  - Des ouvertures de la porte de manière prolongée sont susceptibles d'entraîner une augmentation significative de température des compartiments de l'appareil.
  - Nettoyer régulièrement les surfaces susceptibles d'être contact avec les aliments et les systèmes d'évacuation accessibles.
  - Nettoyer les récipients d'eau s'ils n'ont pas été utilisés pendant 48 h; bien rincer le système de distribution

raccordé à un réseau de distribution d'eau si de l'eau n'a pas été prélevée pendant 5 jours. (S'applique uniquement au distributeur d'eau et au circuit d'arrivée d'eau)

- Entreposer la viande et le poisson crus dans les bacs du réfrigérateur qui conviennent, de telle sorte que ces denrées ne soient pas en contact avec d'autres aliments ou qu'elles ne s'égouttent pas sur les autres aliments.
- Les compartiments «deux étoiles» pour denrées congelées conviennent pour stocker des aliments précongelés, stocker ou fabriquer de la crème glacée et des cubes de glace.
- Les compartiments «une, deux et trois étoiles» ne conviennent pas pour la congélation des denrées alimentaires fraîches.
- Si l'appareil de réfrigération demeure vide de manière prolongée, le mettre hors tension, en effectuer le dégivrage, le nettoyer, le sécher, et laisser la porte ouverte pour prévenir le développement de moisissures à l'intérieur de l'appareil.

14. Ce réfrigérateur n'est pas encastrable.

15. **Classe climatique :**

- Tempérée élargie (SN) : « Cet appareil de réfrigération est destiné à être utilisé à des températures ambiantes comprises entre 10°C et 32°C » ;
- Tempérée (N) : « Cet appareil de réfrigération est destiné à être utilisé à des températures ambiantes comprises entre 16°C et 32°C » ;
- Subtropicale (ST) : « Cet appareil de réfrigération est destiné à être utilisé à des températures ambiantes comprises entre 16°C et 38°C » ;
- Tropicale (T) : « Cet appareil de réfrigération est destiné à être utilisé à des températures ambiantes comprises entre 16°C et 43°C ».

16. En cas d'inutilisation, débranchez l'appareil de la prise secteur avant d'installer ou de retirer des pièces et avant de le nettoyer.

17. Branchez la fiche dans une prise de courant avec mise à la terre.
18. N'utilisez jamais l'appareil dans un endroit où des produits combustibles et des matériaux inflammables sont entreposés.
19. L'appareil doit être placé de manière à ce que la fiche reste accessible.
20. Assurez-vous que le réfrigérateur est débranché avant de le nettoyer ou en cas d'inutilisation.
21. Pour nettoyer l'appareil, utilisez uniquement des nettoyeurs doux ou des nettoyeurs à vitres. N'utilisez jamais de nettoyeurs agressifs ou de solvants.
22. Il n'est pas recommandé d'utiliser ce réfrigérateur avec une rallonge ou une multiprise. Assurez-vous que l'appareil est branché directement dans la prise secteur.
23. Ne placez pas d'aliments ou de boissons chauds dans le réfrigérateur avant qu'ils aient refroidi à température ambiante.
24. Fermez la porte immédiatement après avoir rangé des aliments afin que la température à l'intérieur du réfrigérateur n'augmente pas significativement.
25. Tenez l'appareil à l'écart de toute source de chaleur ou de la lumière directe du soleil.
26. Pour rester stable, l'appareil doit être posé sur une surface plane et solide. Il ne doit pas reposer sur un matériau mou.
27. Ne posez pas d'autres appareils sur le réfrigérateur, et ne le mouillez pas.
28. Pour éviter tout risque de blessures physiques ou mortelles causées par un choc électrique, n'utilisez pas l'appareil avec les mains mouillées, lorsque vous êtes debout sur une surface mouillée ou lorsque vous avez les pieds dans l'eau.
29. N'utilisez pas l'appareil en extérieur ou dans un environnement humide.
30. Ne tirez jamais sur le câble pour débrancher l'appareil de la prise. Saisissez la fiche et retirez-la de la prise.

31. Éviter que le câble ne rentre en contact avec des surfaces chauffées.
32. Vérifiez que la tension d'alimentation de votre prise secteur est la même que celle indiquée sur la plaque signalétique de ce produit.
33. Veillez à ce que les enfants ne jouent pas avec l'appareil.

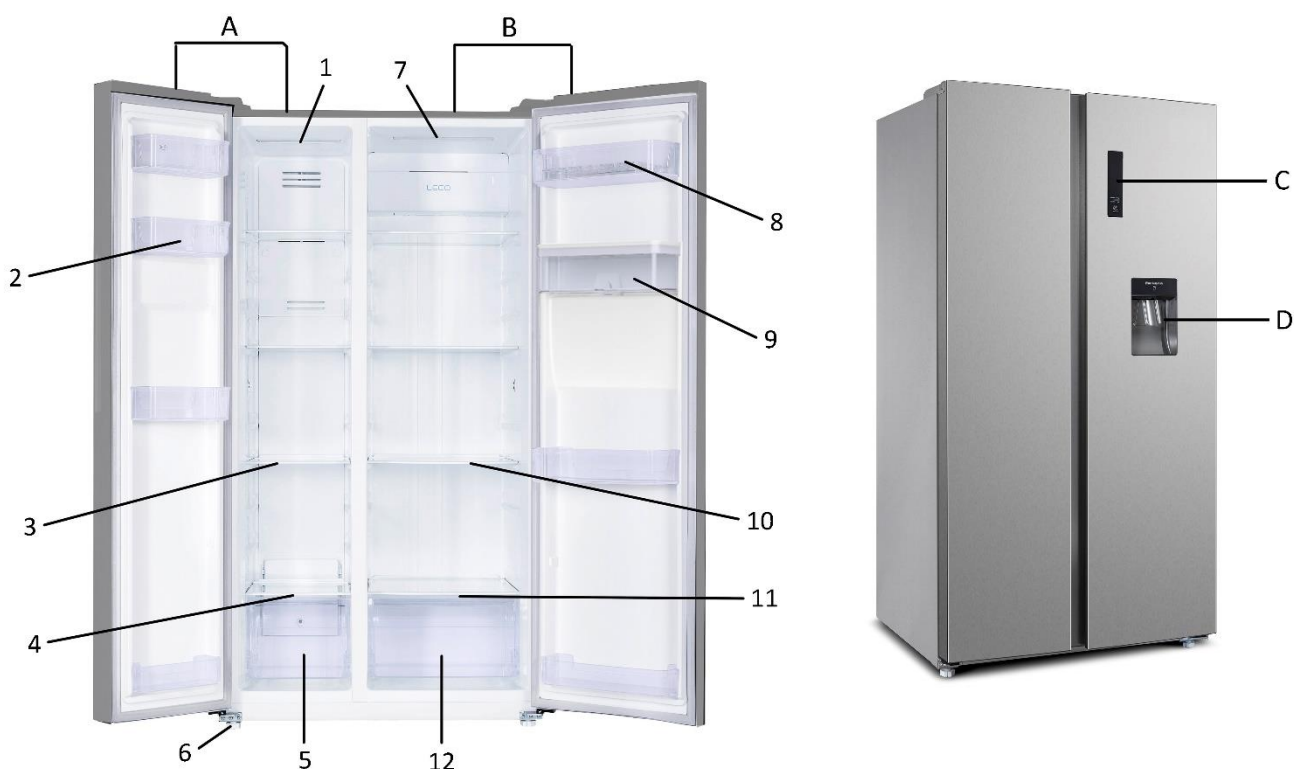


34. Danger; risque d'incendie/ matières inflammables
35. En ce qui concerne les informations pour l'installation, la manipulation, l'utilisation, l'entretien, le remplacement de l'ampoule (le cas échéant), le nettoyage et la mise au rebut de l'appareil, référez-vous au paragraphe ci-après de la notice d'utilisation.
36. Ne stockez aucun récipient contenant des matériaux inflammables, tels que des bombes aérosols, des cartouches de recharge d'extincteur, etc. dans l'appareil.
37. Ne placez pas de boissons gazeuses ou pétillantes dans le compartiment congélateur. Les sucettes glacées peuvent provoquer des « brûlures de glace », si elles sont consommées immédiatement après les avoir sorties de l'appareil.
38. Ne retirez pas d'articles de l'appareil si vos mains sont humides/mouillées, car cela pourrait provoquer des abrasions cutanées ou des « brûlures de glace ». Les bouteilles et les canettes ne doivent pas être placées dans le compartiment congélateur car elles peuvent éclater lorsque leur contenu gèle.
39. Ne stockez pas de gaz ou de liquides inflammables à l'intérieur de votre appareil.
40. **AVERTISSEMENT** : Le réfrigérant utilisé dans votre appareil et les matériaux d'isolation nécessitent d'être mis au rebut selon des procédures spécifiques.



41. AVERTISSEMENT : Il est dangereux pour toute personne autre que le personnel d'entretien autorisé d'effectuer des opérations d'entretien ou des réparations nécessitant le retrait des panneaux. Pour éviter tout risque de choc électrique, n'essayez pas de réparer vous-même cet appareil.
42. AVERTISSEMENT : Les appareils de réfrigération - en particulier un réfrigérateur-congélateur de type I - peuvent ne pas fonctionner de manière cohérente (possibilité de dégivrage du contenu ou de température trop élevée dans le compartiment congélateur) lorsqu'ils sont situés pendant une période prolongée dans un endroit où la température est en dessous de la température la plus basse pour laquelle l'appareil de réfrigération a été conçu.
43. Le réfrigérant sans fréon (R600a) et le matériau isolant moussant (cyclopentane) respectueux de l'environnement sont utilisés pour le réfrigérateur, ne causant aucun dommage à la couche d'ozone et ayant un très faible impact sur le réchauffement climatique. Le R600a est inflammable et enfermé dans un système de réfrigération, sans fuite lors d'une utilisation normale. Cependant, en cas de fuite de réfrigérant due à un endommagement du circuit frigorifique, veillez à tenir l'appareil à l'écart des flammes nues et ouvrez les fenêtres pour aérer le plus rapidement possible.
44. Cet appareil doit être correctement mis à la terre pour votre sécurité. Le cordon d'alimentation de cet appareil est équipé d'une fiche à trois broches qui s'accouple avec les prises murales standard à trois broches pour minimiser la possibilité de choc électrique. Ne coupez ou ne retirez en aucun cas la troisième broche de terre du cordon d'alimentation fourni.
45. Ce réfrigérateur nécessite une prise électrique standard 220-240 V AC 50/60 Hz avec mise à la terre à trois broches.

## DESCRIPTION DE L'APPAREIL



Remarque : En raison de l'innovation technologique, les descriptions de produit présentes dans cette notice peuvent ne pas être tout à fait conformes à votre réfrigérateur. Les détails sont conformes au produit réel.

**A. Compartiment du congélateur :**

1. Lumière LED
2. Crémaillère de la porte du congélateur
3. Clayette en verre
4. Couvercle du tiroir de congélation
5. Tiroir de congélation
6. Pied réglable

**B. Compartiment du réfrigérateur :**

7. Lumière LED
8. Crémaillère de la porte du réfrigérateur
9. Réservoir d'eau
10. Clayette en verre
11. Couvercle du bac à légumes
12. Bac à légumes

**C. Panneau de contrôle****D. Distributeur d'eau****TRANSPORT ET MANIPULATION**

Lors du transport, tenez le socle du réfrigérateur et soulevez-le avec précaution avec un angle inférieur à 45 degrés. Ne le tenez jamais par la poignée de la porte. Ne le placez jamais à l'envers ou à l'horizontale. Poussez le réfrigérateur sur son socle et positionnez-le grâce aux pieds à roulettes.

## INSTALLATION

Choisissez un endroit sec et bien ventilé, où l'air n'est pas corrosif.

Afin d'améliorer l'efficacité du système de refroidissement et d'économiser de l'énergie, il est nécessaire de conserver une bonne ventilation autour de l'appareil afin que la chaleur puisse se dissiper. C'est pourquoi, il est nécessaire de conserver un espace libre autour du réfrigérateur.

### Condition de ventilation

Veillez à ce que le réfrigérateur soit placé à un endroit bien ventilé et qu'il ne soit pas exposé à de l'air chaud. Ne posez pas le réfrigérateur à proximité d'une source de chaleur telle qu'une cuisinière et évitez de la poser à la lumière directe du soleil, afin de garantir une bonne réfrigération tout en économisant la consommation d'énergie. Ne posez pas le réfrigérateur dans un endroit humide, afin d'éviter qu'il ne rouille et qu'il n'y ait des fuites électriques. Le résultat de la superficie totale de la pièce dans laquelle le réfrigérateur est installé divisé par la quantité de réfrigérant du réfrigérateur ne doit pas être inférieur à  $8 \text{ g/m}^3$ .

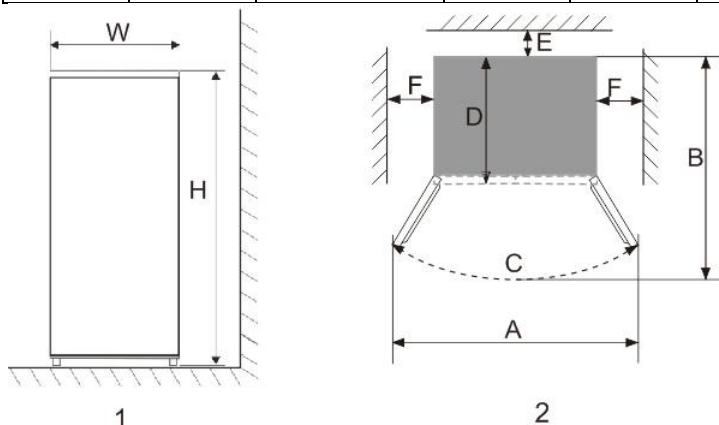
Remarque : La quantité de réfrigérant injectée dans le réfrigérateur se trouve sur la plaque signalétique.

### Espace de dissipation thermique

Lorsqu'il fonctionne, le réfrigérateur dégage de la chaleur. Par conséquent, il est nécessaire de laisser un espace d'au moins 300 mm en haut du réfrigérateur, de plus de 100 mm de chaque côté et de plus de 50 mm à l'arrière du réfrigérateur.

Dimensions en mm :

W	D	H	A	B	C (°)	E	F
839	637	1763	1447	1013	140	50	100



Remarque : Sur la Figure 1 et la Figure 2 sont indiquées uniquement les exigences en termes d'espace pour le produit.

## PREMIÈRE UTILISATION

Régalez les pieds et nettoyez l'extérieur et l'intérieur du réfrigérateur à l'aide d'un chiffon chaud.

Ne mettez pas tout de suite le réfrigérateur en marche après l'avoir installé en position verticale. Attendez 2-6 heures afin de garantir un fonctionnement correct.

Pour éviter que le câble d'alimentation soit endommagé et tout incident pouvant résulter de cet endommagement, le câble d'alimentation ne doit pas être recouvert par le réfrigérateur ou d'autres objets. Avant de mettre le réfrigérateur en marche, vérifiez soigneusement que la plage de tension du réfrigérateur correspond à celle de l'alimentation.

Lorsque le réfrigérateur est installé pour la première fois, laissez-le se stabiliser aux températures de fonctionnement normales pendant 2-3 heures avant d'y ranger des aliments frais ou congelés.

Si le fonctionnement est interrompu, attendez 5 minutes avant de redémarrer l'appareil.

Insérez la fiche dans la prise solide pour démarrer le compresseur. Au bout d'1 heure, ouvrez la porte du congélateur. Si la température à l'intérieur du compartiment congélateur a manifestement baissé, cela indique que le système de réfrigération fonctionne normalement.

Lorsque le réfrigérateur fonctionne depuis un certain temps, la température à l'intérieur du réfrigérateur sera automatiquement contrôlée en fonction de la température réglée par l'utilisateur. Lorsque le réfrigérateur a complètement refroidi, placez-y les aliments, qui nécessitent généralement 2 à 3 heures pour être

complètement réfrigérés. En été, lorsque la température est élevée, il faut plus de 4 heures pour que les aliments soient complètement réfrigérés (Essayez d'ouvrir la porte du réfrigérateur le moins possible avant que la température à l'intérieur du réfrigérateur n'ait atteint celle réglée).

Si le réfrigérateur est installé dans un endroit humide, assurez-vous que le fil de terre et le disjoncteur différentiel sont normaux. Si des bruits de vibration surviennent car le réfrigérateur touche le mur ou si le mur est noirci par la convection d'air autour du compresseur, éloignez le réfrigérateur du mur. L'installation du réfrigérateur peut provoquer un bruit de brouillage ou un chaos d'image sur le téléphone portable, le téléphone fixe, le récepteur radio, le téléviseur environnants. Essayez donc dans ce cas de garder le réfrigérateur aussi loin que possible de ces appareils.

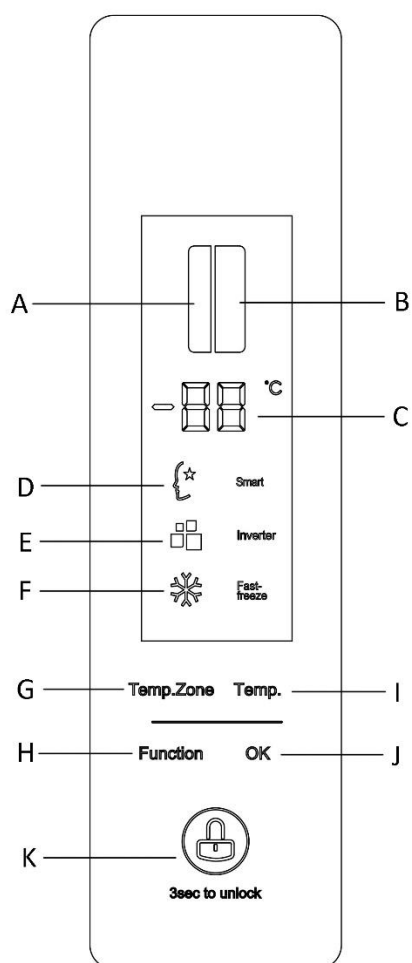
### UTILISATION (PANNEAU DE CONTRÔLE ET ÉCRAN DIGITAL)

Le panneau de contrôle et l'écran digital sont situés sur le devant de la porte.

Lorsque le système de réfrigération est branché à l'alimentation électrique pour la première fois, toutes les icônes du panneau d'affichage s'allument pendant 2 secondes et le système fonctionne par défaut en mode intelligent. Lorsque toutes les portes sont fermées, l'affichage s'éteint automatiquement si aucun bouton n'est actionné dans les 3 minutes. Lorsque l'affichage est éteint, il s'allumera si vous ouvrez une porte ou appuyez sur un bouton.

Les opérations suivantes ne sont possibles que lorsque les boutons sont déverrouillés et s'allument sur l'affichage.

« Inverter » (Onduleur) est l'indicateur de conversion de fréquence. Lorsque l'appareil est mis sous tension, il s'allume lorsque le compresseur fonctionne.



- A. Zone du congélateur
- B. Zone du réfrigérateur
- C. Affichage de la température
- D. Icône « Smart » (mode intelligent)
- E. Icône « Inverter » (Onduleur)
- F. Icône « Fast freeze » (Congélation rapide)
- G. Bouton « Temp. Zone » (Zone de température)
- H. Bouton « Fonction » (Fonction)
- I. Bouton « Temp. » (Température)
- J. Bouton « OK »

#### 1. Réglage de la température

Appuyez sur le bouton « Temp. Zone » pour sélectionner le compartiment réfrigérateur ou le compartiment congélateur jusqu'à ce que la zone correspondante clignote, puis appuyez sur le bouton « Temp. » pour régler la température souhaitée. Enfin, appuyez sur le bouton « OK » pour valider le réglage.

- Le réglage de la température du compartiment réfrigérateur se déroule comme suit :  
5 °C→6 °C→7 °C→8 °C→OF→2 °C→3 °C→4 °C→5 °C  
OF indique que le compartiment réfrigérateur est éteint, et lorsque la fonction OF prend effet, le compartiment réfrigérateur arrête de refroidir.  
Attention : Assurez-vous de retirer tous les aliments du compartiment réfrigérateur avant de régler la température sur OF.
- Le réglage de la température du congélateur se déroule comme suit :  
- 18 °C→-17 °C→-16 °C→-24 °C→-23 °C→-22 °C→-21 °C→- 20 °C→-19 °C→-18 °C

## 2. Fonction « Fast Freeze » (Congélation rapide)

- 1) Lorsque la fonction « Fast Freeze » est activée, la température du congélateur sera réglée automatiquement sur -32 °C. Au bout de 26 heures de fonctionnement, la fonction « Fast Freeze » est désactivée. La baisse rapide de la température dans le congélateur est bénéfique pour prévenir la perte des aliments et préserver leur fraîcheur.  
Attention : En mode « Fast Freeze », la température du congélateur ne peut pas être réglée.
- 2) Activer la fonction « Fast Freeze »  
Appuyez sur le bouton « Fonction » pour sélectionner « Fast Freeze » jusqu'à ce que l'icône correspondante clignote, puis appuyez sur le bouton « OK » dans les 5 secondes pour confirmer. Si vous n'appuyez pas sur le bouton « OK » dans les 5 secondes, le réglage ne sera pas pris en compte.
- 3) Désactiver la fonction « Fast Freeze »  
Après avoir fonctionné pendant 26 heures d'affilée, la fonction « Fast Freeze » sera automatiquement désactivée.  
En mode « Fast Freeze », appuyez sur le bouton « Fonction » pour sélectionner « Fast Freeze » jusqu'à ce que l'icône correspondante clignote, puis appuyez sur le bouton « OK » pour confirmer. La fonction « Fast Freeze » sera alors désactivée.  
Lorsque la fonction « Smart » est activée, la fonction « Fast Freeze » est automatiquement désactivée.

## 3. Fonction « Smart » (Mode intelligent)

- 1) Lorsque la fonction « Smart » est activée, la température du compartiment réfrigérateur est réglée sur 5 °C et celle du compartiment congélateur sur -18 °C, afin que les aliments puissent être conservés dans les meilleures conditions pendant que le réfrigérateur fonctionne plus efficacement et de manière plus performante.

**Attention : En mode intelligent, les températures du compartiment réfrigérateur et du compartiment congélateur ne peuvent pas être modifiées.**

- 2) Activer la fonction « Smart »  
Appuyez sur le bouton « Fonction » pour sélectionner « Smart » jusqu'à ce que l'icône correspondante clignote, puis appuyez sur le bouton « OK » dans les 5 secondes pour confirmer. Si vous n'appuyez pas sur le bouton « OK » dans les 5 secondes, le réglage ne sera pas pris en compte.
- 3) Désactiver la fonction « Smart »  
En mode intelligent, appuyez sur le bouton « Fonction » pour sélectionner « Smart » jusqu'à ce que l'icône correspondante clignote, puis appuyez sur le bouton « OK » pour confirmer. La fonction « Smart » sera alors désactivée.  
Lorsque la fonction « Fast Freeze » est activée, la fonction « Smart » est automatiquement désactivée.

## 4. Sécurité enfant

- 1) Lorsque la fonction sécurité enfant est activée, la température et la fonction activée ne peuvent pas être modifiées afin d'éviter tout dysfonctionnement.
- 2) Si aucun bouton n'est actionné dans les 3 minutes, la fonction sécurité enfant sera activée automatiquement.
- 3) Désactiver manuellement la fonction sécurité enfant :  
Appuyez et maintenez enfoncé le bouton de déverrouillage pendant 3 secondes. La fonction sécurité enfant est alors désactivée.

## 5. Alarme d'avertissement de porte ouverte

Si une porte reste ouverte pendant plus de 3 minutes, une alarme retentira en continu. Elle s'arrête lorsqu'un bouton est enfoncé, mais reprend au bout de 3 minutes si la porte reste ouverte. L'alarme ne s'arrête pas tant que la porte n'est pas fermée.

## 6. Mémoire en cas de panne de courant

En cas de panne de courant, et une fois le courant rétabli, le réfrigérateur maintiendra l'état de fonctionnement défini avant la panne de courant.

## 7. Délai de mise sous tension

Afin de protéger le compresseur du réfrigérateur d'être endommagé en cas de panne de courant de courte durée (c'est-à-dire moins de 5 minutes), le compresseur ne démarrera pas immédiatement après la mise sous tension du réfrigérateur.

## 8. Alarme de surchauffe (uniquement après une panne de courant)

Lorsque le système de réfrigération est sous tension, si la température détectée par la sonde du congélateur est supérieure à -10 °C, la zone du congélateur clignote sur l'affichage. La température du congélateur s'affiche lorsque vous appuyez sur n'importe quel bouton, et l'affichage normal sera restauré lorsque vous appuyez sur n'importe quel bouton ou après 10 s.

## 9. Alarme de défaut

Si E0, E1, E2, EH ou EC s'affiche sur le panneau de commande, cela indique un défaut au niveau du réfrigérateur. Veuillez contacter le service après-vente.

**Remarque :** la température influera sur la durée de conservation des aliments. Réglez la température sur le niveau souhaité. Une température est trop élevée à l'intérieur du réfrigérateur entraînera une altération plus rapide des aliments tandis qu'une température trop basse congèlera les aliments de manière inadaptée. Les aliments seront alors perdus.

## CONSERVATION DES ALIMENTS

Votre appareil comporte les accessoires décrits dans le chapitre « Description de l'appareil ». Le chapitre vous explique comment conserver au mieux les aliments dans votre réfrigérateur.

**Remarque :** Il ne faut pas que les aliments entrent en contact direct avec les surfaces à l'intérieur de l'appareil. Emballez séparément les aliments dans du papier aluminium ou du film alimentaire ou dans des boîtes en plastique hermétiques.

### Conservation des aliments dans le compartiment réfrigérateur

Le compartiment réfrigérateur permet de prolonger la durée de conservation des aliments frais périssables.

Conseils relatifs aux aliments pour une conservation optimale :

- Conservez des aliments qui sont très frais et de bonne qualité.
- Assurez-vous que les aliments sont bien emballés ou couverts avant de les mettre dans le réfrigérateur. Cela évite que les aliments se dessèchent, se décolorent ou perdent leur saveur et permet de conserver leur fraîcheur. Cela évite aussi la transmission des odeurs. Les légumes et les fruits ne nécessitent pas d'être emballés s'ils sont rangés dans le bac à légumes du compartiment réfrigérateur.
- Assurez-vous que les aliments ayant une forte odeur sont emballés ou couverts et rangés loin des aliments tels que le beurre, le lait et la crème, qui peuvent être contaminés par les fortes odeurs.
- Laissez les aliments chauds refroidir avant de les ranger dans le compartiment réfrigérateur.

**Clayette du réfrigérateur :** Lorsque vous retirez une clayette, soulevez-la d'abord, puis retirez-la. Lorsque vous installez une clayette, mettez-la en place avant de la poser. Maintenez le rebord arrière de la clayette vers le haut pour éviter que les aliments n'entrent en contact avec la paroi du réfrigérateur. Lors du retrait ou de l'installation d'une clayette, tenez-la fermement et manipulez-la avec soin pour éviter de l'endommager.

**Bac à légumes :** Retirez le bac à légumes pour accéder aux aliments. Après avoir utilisé ou nettoyé le couvercle du bac à légumes, assurez-vous de le remettre sur le bac à légumes afin que la température à l'intérieur du bac à légumes ne soit pas affectée.

**Porte-bouteilles de porte du réfrigérateur :** Tenez le porte-bouteilles avec les deux mains, puis soulevez-le.

### Produits laitiers et œufs

- La plupart des produits laitiers préemballés ont une date « à consommer jusqu'au »/« à consommer de préférence avant fin ». Conservez-les dans le compartiment réfrigérateur et consommez-les avant l'expiration du délai recommandé.
- Les aliments à forte odeur risquent de gâter le beurre et il est donc recommandé de le conserver dans un récipient fermé.
- Les œufs doivent être conservés dans le compartiment réfrigérateur.

### Viande rouge

- Placez la viande rouge fraîche sur une assiette et recouvrez-la simplement avec du papier ciré, du film alimentaire ou du papier aluminium.
- Conservez la viande cuite et la viande crue sur des assiettes séparées. Cela évite que le jus de la viande crue contamine la viande cuite.

### Volaille

- Rincez les volailles fraîches et entières à l'eau froide courante, à l'intérieur et à l'extérieur, séchez-les, puis placez-les sur une assiette. Couvrez-la simplement avec un film alimentaire ou du papier aluminium.
- Les pièces de volaille doivent également être conservées de cette façon. Ne garnissez les volailles entières de farce que peu avant la cuisson, en prévention d'éventuelles intoxications alimentaires.

### Poissons et fruits de mer

- Les poissons entiers et les filets de poisson doivent être consommés le jour de l'achat. Jusqu'à leur utilisation finale, placez-les dans le réfrigérateur sur une assiette recouverte de film alimentaire, de papier ciré ou de papier aluminium.
- Si vous voulez conserver le poisson ou des fruits de mer toute la nuit ou plus longtemps, veillez à acheter des produits très frais. Rincez les poissons entiers à l'eau froide pour enlever les écailles détachées et la saleté, puis essuyez-les avec du papier absorbant. Placez les poissons entiers ou filets dans un sachet en plastique fermé.
- Conservez toujours les crustacés bien au froid. Consommez-les dans un délai de 1 à 2 jours.

### Aliments précuits et restes

- Conservez-les dans des récipients appropriés fermés pour éviter leur dessèchement.
- Conservez-les uniquement 1-2 jours.
- Réchauffez les restes une seule fois et jusqu'à ce qu'ils soient chauds et fumants.

### Bac à légumes

- Le bac à légumes est l'emplacement idéal pour conserver les fruits et les légumes.
- Ne stockez pas les aliments suivants pendant une période prolongée à des températures inférieures à 7°C : Agrumes, melons, ananas, papayes, fruit de la passion, concombres, poivrons, tomates.
- Les basses températures favorisent certains changements indésirables tels que le ramollissement de la pulpe, le brunissement et/ou l'accélération de la maturation.
- Ne mettez jamais les avocats (jusqu'à maturité), les bananes et les mangues au réfrigérateur.

Aliment	Emplacement
Beurre, fromage	Compartiment supérieur de la porte
Œufs	Compartiment de la porte
Fruits, légumes, salade	Bac à légumes
Viande, saucisse, fromage, lait	Zone inférieure (clayette du bas/couvercle du bac à légumes)
Produits laitiers, conserves, cannettes	Zone supérieure ou compartiment de la porte
Boissons, bouteilles, tubes	Compartiment de la porte

### Congélation et conservation des aliments dans le compartiment congélateur

- Pour conserver des produits surgelés.
- Pour faire des glaçons.
- Pour congeler des aliments.

**Remarque :** Assurez-vous que la porte du compartiment congélateur est correctement fermée.

### Achat de produits surgelés

- L'emballage ne doit pas être endommagé.
- Vérifiez la date « À consommer jusqu'au » ou « À consommer de préférence avant fin ».
- Transportez les produits surgelés de préférence dans un sac isotherme et rangez-les le plus rapidement possible dans le compartiment congélateur.

### Conservation des produits surgelés

Conservez-les à -18°C ou plus froid. Évitez d'ouvrir inutilement la porte du compartiment congélateur.

### Congélation d'aliments frais

Surgelez uniquement des aliments frais et intacts.

Il est recommandé de blanchir les légumes avant la surgélation afin de mieux conserver leurs nutriments, leur goût et leur couleur.

Les aubergines, les poivrons, les courgettes et les asperges n'ont pas besoin d'être blanchis.

**Remarque :** Séparez les aliments à congeler de ceux qui se trouvent déjà dans le congélateur.

- Les aliments suivants peuvent être congelés :

Gâteaux secs et pâtisseries, poissons et fruits de mer, viandes, gibiers, volailles, légumes, fruits, fines herbes, œufs sans coquille, produits laitiers comme le fromage et le beurre, plats préparés et restes comme les soupes, les ragoûts, les viandes et les poissons cuits, les plats de pomme de terre, les gratins et les desserts.

- Les aliments suivants ne peuvent pas être congelés :

Certains légumes, généralement consommés crus comme la laitue ou les radis, les œufs avec la coquille, les raisins, les pommes, les poires et les pêches entières, les œufs durs, le yaourt, le lait caillé, la crème aigre et la mayonnaise.

### Emballage des produits surgelés

Emballer les aliments hermétiquement afin d'éviter qu'ils perdent leur saveur ou se dessèchent.

1. Placez les aliments dans un emballage.
2. Retirez l'air.
3. Scellez l'emballage.
4. Étiquetez l'emballage en indiquant son contenu et la date de congélation.

Emballage adapté :

Film alimentaire, film tubulaire en polyéthylène, papier aluminium. Ces produits sont disponibles dans des magasins spécialisés.

### Durées de conservation recommandées des aliments congelés dans le compartiment congélateur

Ces durées varient en fonction du type de produit. Vous pouvez conserver les aliments congelés entre 1 et 12 mois (à -18°C minimum).

Produit	Durée de conservation
Bacon, plats cuisinés, lait	1 mois
Pain, glace, saucisses, tartes, crustacés cuisinés, poisson gras	2 mois
Poisson non gras, crustacés, pizza, scones et muffins	3 mois
Jambon, gâteaux, biscuits, côtes de bœuf et d'agneau, morceaux de volaille	4 mois
Beurre, légumes (blanchies), œufs entiers et jaunes d'œufs, écrevisses cuites, viande hachée (cru), viande de porc (cru)	6 mois
Fruits (secs ou en sirop), blancs d'œufs, viande de bœuf (cru), poulet entier, viande d'agneau (cru), gâteaux aux fruits	12 mois

### Observations importantes

- Si vous congélez des aliments frais comportant une date « À consommer jusqu'au » ou « À consommer de préférence avant fin », vous devez les congeler avant que cette date n'expire.
- Vérifiez que les aliments n'ont pas déjà été congelés. De même, les aliments congelés ayant complètement décongelé ne doivent pas être recongelés.



- Une fois décongelés, consommez les produits rapidement.
- Ne mettez aucun récipient en verre, rempli de liquide dans le compartiment du congélateur, car le verre peut casser.

### Congélation rapide :

- Reportez-vous à la description de la fonction « Fast Freeze » dans la section « UTILISATION ».
- Par rapport à la congélation normale, la congélation rapide permet aux aliments de traverser la zone de formation maximale de cristaux de glace le plus rapidement possible. La congélation rapide peut geler la teneur en eau des aliments en de fins cristaux de glace, sans endommager la membrane cellulaire, de sorte que le jus cellulaire ne sera pas perdu lors de la décongélation et que la fraîcheur et la nutrition d'origine des aliments peuvent être conservées.
- La fonction de congélation rapide est conçue pour préserver la nutrition des aliments surgelés, les aliments étant parfaitement congelés dans les plus brefs délais. La congélation rapide consomme plus d'énergie que la congélation normale.

### CONSEILS UTILES

- Évitez de laisser la porte ouverte pendant longtemps par souci d'économie d'énergie.
- Assurez-vous que l'appareil est loin de toute source de chaleur (lumière directe du soleil, four électrique ou cuisinière, etc.)
- Ne rangez pas d'aliments chauds ou de liquides produisant de la vapeur dans l'appareil.
- Disposez correctement les aliments dans le réfrigérateur afin que l'air puisse circuler librement autour.

### Arrêt de votre appareil

Lorsque l'appareil doit rester à l'arrêt pendant un certain temps, prenez les précautions suivantes afin d'éviter la formation de moisissures dans l'appareil.

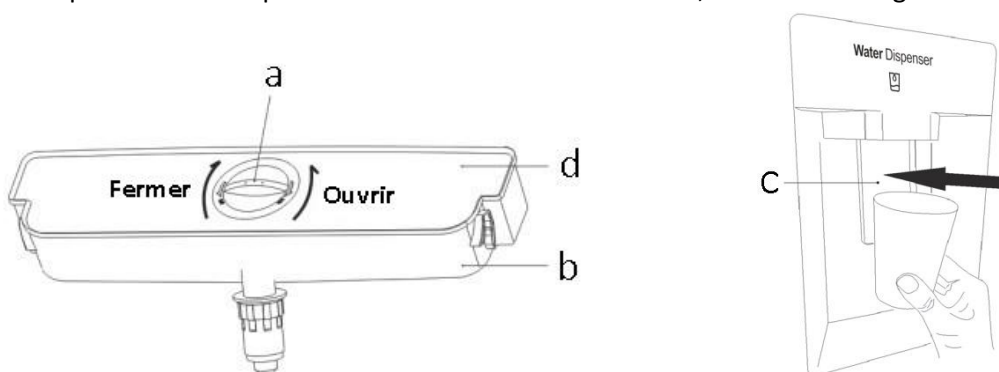
1. Videz l'appareil ;
2. Débranchez la fiche de la prise de courant ;
3. Nettoyez et séchez correctement l'intérieur de l'appareil ;
4. Laissez les portes entrouvertes pour faire circuler l'air.

### Comment utiliser le bac à glaçons

Placez le bac à glaçons en position haute du compartiment congélateur, afin qu'il gèle le plus rapidement possible.

### DISTRIBUTEUR D'EAU

Le réfrigérateur comprend un distributeur d'eau qui permet de remplir plus facilement votre verre d'eau et d'avoir accès à de l'eau froide quasiment immédiatement. Le distributeur d'eau comprend un réservoir de **2,5** litres d'eau qui doit être rempli. Pour utiliser le distributeur d'eau, suivez les consignes ci-dessous :



1. Ouvrez la porte du réfrigérateur pour vous assurer que le distributeur d'eau est bien fixé.
2. Ouvrez le couvercle de remplissage (a) du réservoir d'eau (b), remplissez lentement le réservoir d'eau pour éviter tout déversement jusqu'à ce que le réservoir soit entièrement rempli. Fermez ensuite le couvercle de remplissage du réservoir d'eau.
3. Une fois le réservoir d'eau rempli, réglez le compartiment réfrigérateur sur la température la plus basse et une heure plus tard, vous pouvez avoir accès à de l'eau potable en appuyant sur l'interrupteur d'eau (c).
4. Lors de l'utilisation du distributeur d'eau, de l'eau peut s'égoutter et s'accumuler au fond du distributeur d'eau. Veuillez l'essuyer avec un chiffon si nécessaire.

5. Le niveau d'eau ne doit pas dépasser le couvercle du réservoir (d), comme indiqué par la ligne de remplissage maximum.

**Remarque :** Ne retirez le verre que lorsqu'il n'y a plus une seule goutte d'eau qui s'écoule.

## NETTOYAGE ET ENTRETIEN

**Avant de nettoyer l'appareil, débranchez tout d'abord la fiche d'alimentation. Ne branchez pas ou ne débranchez pas la fiche avec les mains mouillées, car il existe un risque de choc électrique et de blessure. Ne renversez pas d'eau directement sur le réfrigérateur, pour éviter la rouille, les fuites électriques et les accidents. N'étirez pas vos mains dans le bas du réfrigérateur, car vous pourriez être égratigné par des coins métalliques pointus.**

### Nettoyage extérieur

- Nettoyez régulièrement l'extérieur de votre appareil pour le maintenir en bon état.
- Pulvérisez l'eau sur le chiffon et non directement sur l'appareil. Cela permet d'humidifier uniformément la surface de l'appareil.

### Attention !

N'utilisez pas d'outils pointus pour éviter de rayer la surface de l'appareil. N'utilisez pas de diluants, de nettoyeurs automobiles, d'eau de javel, d'huiles étherées, de nettoyeurs abrasifs ou de solvants organiques tels que le benzène pour le nettoyage. Ces produits peuvent endommager la surface de l'appareil et entraîner un risque d'incendie.

### Nettoyage intérieur

Nettoyez régulièrement l'intérieur de votre appareil. Pour faciliter le nettoyage, profitez des moments où il y a peu d'aliments dans le réfrigérateur. Essuyez l'intérieur du réfrigérateur avec de l'eau et une faible quantité de bicarbonate de soude dilué, puis rincez à l'eau tiède avec une éponge ou un chiffon essorés. Essuyez et séchez entièrement l'intérieur de l'appareil avant d'y replacer les clayettes et les balconnets. Séchez entièrement toutes les surfaces et les pièces amovibles.

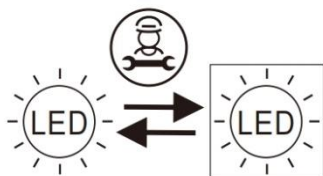
**Attention !** Veillez à ce que l'eau ne rentre pas dans le compartiment de la lampe et dans les autres pièces électriques.

**Attention :** N'utilisez pas de brosse à poils, de brosse métallique, de détergent, de poudre de savon, de détergent alcalin, de benzène, d'essence, d'acide, d'eau chaude et d'autres articles corrosifs ou solubles pour nettoyer les parois de l'appareil, le joint de porte, les pièces décoratives en plastique, etc. pour éviter les dommages.

Essuyez soigneusement le joint de la porte, nettoyez la rainure à l'aide d'une baguette en bois enveloppée de ficelle de coton. Après le nettoyage, fixez d'abord les quatre coins du joint de porte, puis insérez-le par segment dans la rainure de la porte.

### Remplacement de l'ampoule LED

**Avertissement :** l'ampoule LED ne doit pas être remplacée par l'utilisateur ! Si l'ampoule LED est endommagée, contactez un technicien d'entretien agréé pour la réparer.



Source lumineuse remplaçable (LED uniquement) par un professionnel  
Ce produit contient une source lumineuse de classe d'efficacité énergétique G.

### Panne de courant ou panne du système de réfrigération

- Faites attention aux aliments surgelés en cas d'absence de fonctionnement prolongé de l'appareil de réfrigération (comme une panne de courant ou une panne du système de réfrigération).
- Essayez d'ouvrir la porte du réfrigérateur le moins possible afin que les aliments puissent se conserver en toute sécurité et fraîchement pendant des heures, même en été lorsqu'il fait chaud.

- Si vous savez à l'avance qu'une panne de courant va survenir :
  - Réglez la température sur sa valeur la plus basse une heure à l'avance, afin que les aliments soient complètement congelés (ne stockez pas de nouveaux aliments pendant ce temps !). Remettez la température à sa valeur d'origine une fois le courant rétabli en temps voulu.
  - Vous pouvez également faire de la glace avec un récipient étanche, et la mettre dans la partie supérieure du congélateur, afin de prolonger la durée de conservation des aliments frais.

**Remarque : Une fois le réfrigérateur utilisé, il est préférable de l'utiliser en continu, et dans des conditions normales. N'arrêtez pas de l'utiliser, afin de ne pas affecter sa durée de vie.**

### Dégivrage

Cet appareil est conçu avec une fonction de dégivrage automatique, il n'est donc pas nécessaire de le dégivrer manuellement.

### SPÉCIFICATIONS TECHNIQUES

Tension nominale :	220-240 V~
Courant nominal :	1.9 A
Fréquence nominale :	50/60 Hz
Puissance de dégivrage :	220 W
Classe climatique :	SN/N/ST/T
Réfrigérant :	R600a (72 g)
Protection contre les chocs électriques :	I
Agent de gonflement pour l'isolation :	CYCLOPENTANE

### Classe climatique :

- Tempérée élargie (SN) : « Cet appareil de réfrigération est destiné à être utilisé à des températures ambiantes comprises entre 10°C et 32°C » ;
- Tempérée (N) : « Cet appareil de réfrigération est destiné à être utilisé à des températures ambiantes comprises entre 16°C et 32°C » ;
- Subtropicale (ST) : « Cet appareil de réfrigération est destiné à être utilisé à des températures ambiantes comprises entre 16°C et 38°C » ;
- Tropicale (T) : « Cet appareil de réfrigération est destiné à être utilisé à des températures ambiantes comprises entre 16°C et 43°C » ;

Remarque : Compte tenu des valeurs limites de la plage de température ambiante pour les classes climatiques pour lesquelles l'appareil de réfrigération est conçu et du fait que les températures internes peuvent être affectées par des facteurs tels que l'emplacement de l'appareil de réfrigération, la température ambiante et la fréquence d'ouverture des portes, le réglage de tout dispositif de contrôle de la température peut devoir être modifié pour tenir compte de ces facteurs, le cas échéant.

Lorsqu'il fonctionne dans un environnement autre que le type de climat spécifié (c'est-à-dire au-delà de la plage de température ambiante nominale), l'appareil peut ne pas être en mesure de maintenir les températures de compartiment souhaitées.

**Remarque :** Pour obtenir plus d'informations, scannez le QR code présent sur l'étiquette énergétique de l'appareil.

### GUIDE DE DÉPANNAGE

Symptôme	Cause	Solution
L'appareil ne fonctionne pas.	Il n'y a pas de courant.	Vérifiez que l'appareil est branché à la prise.
	Le fusible ne fonctionne pas.	Remplacez le fusible.
L'appareil fait beaucoup de bruit.	L'appareil est trop proche du mur, ou n'est pas stable, ou les accessoires à l'intérieur du réfrigérateur ne sont pas bien placés.	Stabilisez le socle du réfrigérateur en réglant la position des pieds, éloignez l'appareil du mur, placez correctement les accessoires à l'intérieur du réfrigérateur.

L'appareil ne produit pas assez de froid.	La porte est trop souvent ouverte ou est restée ouverte pendant un long moment.	Fermez la porte et ne l'ouvrez pas trop fréquemment.
	Le réfrigérateur est trop proche du mur.	Éloignez l'appareil du mur pour faciliter la ventilation.
	Le réfrigérateur est trop plein.	Réduisez la quantité d'aliments dans le réfrigérateur.
Il y a des odeurs dans l'appareil.	Des aliments à l'intérieur du réfrigérateur commencent à se détériorer.	Jetez les aliments périmés et emballez le reste des aliments.
	L'intérieur du réfrigérateur doit être nettoyé.	Nettoyez l'intérieur du réfrigérateur.
Le bouton ne répond pas lorsqu'on appuie dessus	Vérifiez si la fonction sécurité enfant est activée sur le panneau d'affichage.	Appuyez sur le bouton de déverrouillage et maintenez-le enfoncé pendant 3 secondes. (Pour plus de détails, reportez-vous à la fonction sécurité enfant dans la section « UTILISATION ».)
Impossible de régler la température	Vérifiez si la fonction « Smart » ou « Fast Freeze » est activée sur le panneau d'affichage.	Quittez le mode fonction spéciale, puis réglez la température (pour plus de détails, reportez-vous à la section « UTILISATION »).
La température du congélateur s'affiche sur le panneau, et les chiffres de température clignotent	Y a-t-il eu une panne de courant auparavant ?	Appuyez sur n'importe quel bouton pour supprimer l'alarme (reportez-vous à la fonction Alarme de surchauffe dans la section « UTILISATION »), puis vérifiez si les aliments à l'intérieur de l'appareil sont avariés.

#### Les symptômes suivants ne sont pas les signes d'une panne :

- Le bruit du liquide de refroidissement circulant dans la tuyauterie est audible, c'est normal.
- L'humidité sur la surface externe de l'appareil pendant les saisons humides ne constitue pas un problème ; essuyez juste avec un chiffon doux et sec.
- Le compresseur et le condenseur peuvent être plus chauds pendant les périodes de fortes chaleurs.
- Le cadre de la porte est un peu chaud ; cela indique que le condenseur évacue normalement l'humidité de l'air.

#### Il est normal d'entendre fréquemment le bruit du moteur ; il a besoin de fonctionner davantage dans les cas suivants :

- La température est réglée plus basse que nécessaire.
- Une grande quantité d'aliments chauds a été récemment stockée dans l'appareil.
- La température hors de l'appareil est trop élevée.
- Les portes sont gardées ouvertes trop longtemps ou trop souvent.
- Après avoir installé l'appareil ou après l'avoir éteint pendant une longue période.

#### GARANTIE ET SERVICE APRÈS-VENTE

Nos appareils sont soumis à un contrôle de qualité strict avant d'être livrés. Si l'appareil a toutefois été endommagé lors de la production ou du transport en dépit des soins que nous lui donnons, retournez l'appareil au vendeur. En plus des droits juridiques, le client a la possibilité dans les limites de la garantie de déposer les réclamations suivantes:

Nous offrons une garantie de 2 ans pour l'appareil acheté à partir de la date de vente. Les défauts dus à une utilisation non conforme de l'appareil et les dommages dus à une intervention ou réparation faite par une tierce personne ou dus à l'installation de pièces qui ne sont pas d'origine ne sont pas couverts par cette garantie. Conservez toujours votre reçu, car sans celui-ci vous ne pourrez réclamer aucune sorte de garantie. Les dommages causés par le non respect des instructions de ce manuel rendront la garantie caduque, Nous décline toute responsabilité en cas de dommages indirects. Nous décline toute responsabilité en cas de dégâts matériels ou de dommages corporels causés par une utilisation inappropriée ou si les instructions de sécurité n'ont pas

été convenablement observées. Si les accessoires sont endommagés, cela ne signifie pas que toute la machine sera remplacée gratuitement. Dans de tels cas, veuillez contacter notre assistance. Des pièces brisées en verre ou en plastique sont toujours sujettes à des frais. Les défauts des consommables ou des pièces susceptibles de s'user, ainsi que le nettoyage, l'entretien ou la réparation desdites pièces ne sont pas couverts par la garantie et doivent donc être payés.

Les pièces détachées sont garanties 2 ans. Si vous souhaitez une pièce de rechange, veuillez contacter notre service client.

#### **APPAREIL RESPECTUEUX DE L'ENVIRONNEMENT**



Recyclage – Directive européenne 2012/19/EU

Ce symbole indique que le produit ne doit pas être jeté avec les ordures ménagères. Pour limiter les risques pour l'environnement et la santé entraînés par le rejet non contrôlé des déchets, recyclez ce produit pour promouvoir une réutilisation responsable de ses matériaux. Pour recycler votre produit,

utilisez les réseaux de collecte de votre région ou prenez contact avec le revendeur du produit. Ce dernier pourra vous aider à le recycler.

Pour les réparations effectuées par un professionnel et la commande de pièces détachées, veuillez contacter notre service client.

Emerio B.V.

Zomervaart 1A

2033 DA Haarlem

The Netherlands

**Customer service:**

T: +31 (0) 23 3034369

E: info@emerio.eu

**Kundeninformation:**

T: +49 (0) 3222 1097 600

E: info.de@emerio.eu

**Klantenservice:**

T: +31 (0) 23 3034369

E: info.nl@emerio.eu

## VEILIGHEIDSINFORMATIE

Voor gebruik dient u alle onderstaande instructies te lezen om letsel en schade te voorkomen en om de beste resultaten met het apparaat te bereiken. Bewaar deze handleiding op een veilige plek. Mocht u dit apparaat aan iemand anders overhandigen, dient u ook de gebruiksaanwijzing te overhandigen.

In geval van schade die wordt veroorzaakt doordat de gebruiker de instructies in deze gebruiksaanwijzing niet in acht heeft genomen, komt de garantie te vervallen. De fabrikant/importeur is niet aansprakelijk voor schade die wordt veroorzaakt door het niet in acht nemen van de gebruiksaanwijzing, door nalatig gebruik of gebruik dat niet in overeenstemming is met de bepalingen van deze gebruiksaanwijzing.

1. Lees en bewaar deze gebruiksaanwijzing. Opgelet: de afbeeldingen in de gebruiksaanwijzing zijn louter indicatief.
2. Dit toestel mag gebruikt worden door kinderen vanaf de leeftijd van 8 jaar en door personen met verminderde fysieke, zintuiglijke of mentale capaciteiten of met gebrek aan ervaring of kennis, indien zij onder het toezicht staan of gebruiksinstructies voor het veilig gebruik van dit toestel gekregen hebben en de mogelijke gevaren begrijpen. Kinderen mogen niet met dit toestel spelen. Kinderen die niet onder toezicht staan, mogen dit apparaat niet reinigen of onderhouden.
3. Kinderen tussen 3 en 8 jaar oud mogen koelapparaten vullen en legen.
4. Als het stroomsnoer beschadigd is, dan moet het vervangen worden door de fabrikant, diens dealer of een gekwalificeerde technicus om risico's te voorkomen.
5. **WAARSCHUWING:** Houd ventilatieopeningen in de behuizing van het apparaat of in de ingebouwde structuur vrij van belemmeringen.

6. **WAARSCHUWING:** Gebruik geen mechanische apparaten of andere middelen om het ontdooiproces te versnellen, dan deze aanbevolen door de fabrikant.
7. **WAARSCHUWING:** Beschadig het koelcircuit niet.
8. **WAARSCHUWING:** Gebruik geen elektrische apparaten in de opbergvakken van het apparaat tenzij ze van het type zijn dat wordt aanbevolen door de fabrikant.
9. Berg geen explosieve stoffen, zoals spuitbussen met een brandbaar drijfgas, in dit apparaat op.
10. Dit apparaat is bestemd voor huishoudelijk gebruik of gelijksoortige toepassingen, waaronder
  - kantines voor personeel in winkels, kantoren en een andere werkomgevingen;
  - boerderijen en door gasten in hotels, motels en andere types van huisvesting;
  - bed & breakfasts en soortgelijke omgevingen;
  - catering en soortgelijke groothandeltoepassingen.
11. **WAARSCHUWING:** Tijdens het plaatsen van het apparaat, zorg dat het snoer niet bekneld raakt of beschadigd wordt.
12. **WAARSCHUWING:** Plaats geen verschillende verlengsnoeren of stekkerdozen achter het apparaat.
13. Om voedselverontreiniging te vermijden, houd rekening met de volgende instructies:
  - De deur te lang open laten kan leiden tot een aanzienlijke toename van de temperatuur binnenin de vakken van het apparaat.
  - Maak de oppervlakken die met voedsel in aanraking komen en de toegankelijke afvoersystemen regelmatig schoon.
  - Maak de waterreservoirs schoon als ze langer dan 48 u niet werden gebruikt. Spoel het watersysteem dat op de watertoevoer is aangesloten als er gedurende 5 dagen geen water is doorgestroomd. (Alleen van toepassing voor waterdispenser en watertoevoersysteem)
  - Bewaar rauw vlees en vis in gepaste houders in de koelkast zodat ze niet met ander voedsel in aanraking komen of erop druppelen.

- Vriesvakken met twee sterren zijn geschikt voor het bewaren van reeds bevroren voedsel, het bewaren of maken van roomijs en het maken van ijsblokjes.
  - Vriesvakken met één, twee en drie sterren zijn niet geschikt voor het invriezen van vers voedsel.
  - Als het koelapparaat langere tijd leeg zal blijven, schakel het uit, ontdooi, reinig en veeg het apparaat droog en laat de deur open om vorming van schimmel in het apparaat te voorkomen.
14. Dit koelapparaat is niet bestemd om als inbouwtoestel te worden gebruikt.
15. Klimaatklasse:
- Subnormaal (SN): 'dit koelapparaat is bestemd om gebruikt te worden bij een omgevingstemperatuur tussen 10°C en 32°C';
  - Normaal (N): 'dit koelapparaat is bestemd om gebruikt te worden bij een omgevingstemperatuur tussen 16°C en 32°C';
  - Subtropisch (ST): 'dit koelapparaat is bestemd om gebruikt te worden bij een omgevingstemperatuur tussen 16°C en 38°C';
  - Tropisch (T): 'dit koelapparaat is bestemd om gebruikt te worden bij een omgevingstemperatuur tussen 16°C en 43°C'.
16. Haal de stekker uit het stopcontact wanneer het apparaat niet wordt gebruikt, alvorens onderdelen te plaatsen of af te halen en voor reiniging.
17. Steek de stekker in een enkel geaard stopcontact.
18. Gebruik het apparaat nooit in een ruimte waar brandbare en ontvlambare materialen zijn opgeslagen.
19. Zorg dat de stekker van het apparaat altijd eenvoudig bereikbaar is.
20. Zorg dat de stekker uit het stopcontact is gehaald voordat u het apparaat reinigt of wanneer niet in gebruik.



21. Reinig het apparaat alleen met een mild schoonmaakmiddel of een glasreiniger. Gebruik nooit agressieve schoonmaakmiddelen of oplosmiddelen.
22. Het wordt aanbevolen om geen verlengsnoer of verdeelstekker met dit apparaat te gebruiken. Zorg dat de stekker van het apparaat rechtstreeks in een stopcontact wordt gestoken.
23. Wacht totdat warme levensmiddelen of drank tot kamertemperatuur zijn afgekoeld voordat u ze in de koelkast plaatst.
24. Sluit de deur onmiddellijk na het inbrengen van items zodat de binnentemperatuur niet drastisch stijgt.
25. Houd het apparaat uit de buurt van warmtebronnen of direct zonlicht.
26. Plaats het apparaat altijd op een vlak en stevig oppervlak om een stabiele positie te waarborgen. Plaats het niet op een zacht materiaal.
27. Plaats geen ander apparaat op de koelkast en zorg dat de koelkast niet nat wordt.
28. Om letsel of de dood door elektrische schokken te vermijden gebruik het apparaat niet met natte handen of wanneer u op een natte vloer of in water staat.
29. Gebruik het apparaat niet buitenshuis of in natte omstandigheden.
30. Trek nooit aan het snoer om het apparaat van het stroomnet te ontkoppelen, maar gebruik altijd de stekker.
31. Houd het snoer uit de buurt van warme oppervlakken.
32. Controleer of de spanning vermeld op het typeplaatje van dit product overeenstemt met de spanning in uw woning.
33. Houd toezicht over kinderen zodat ze niet met het apparaat spelen.



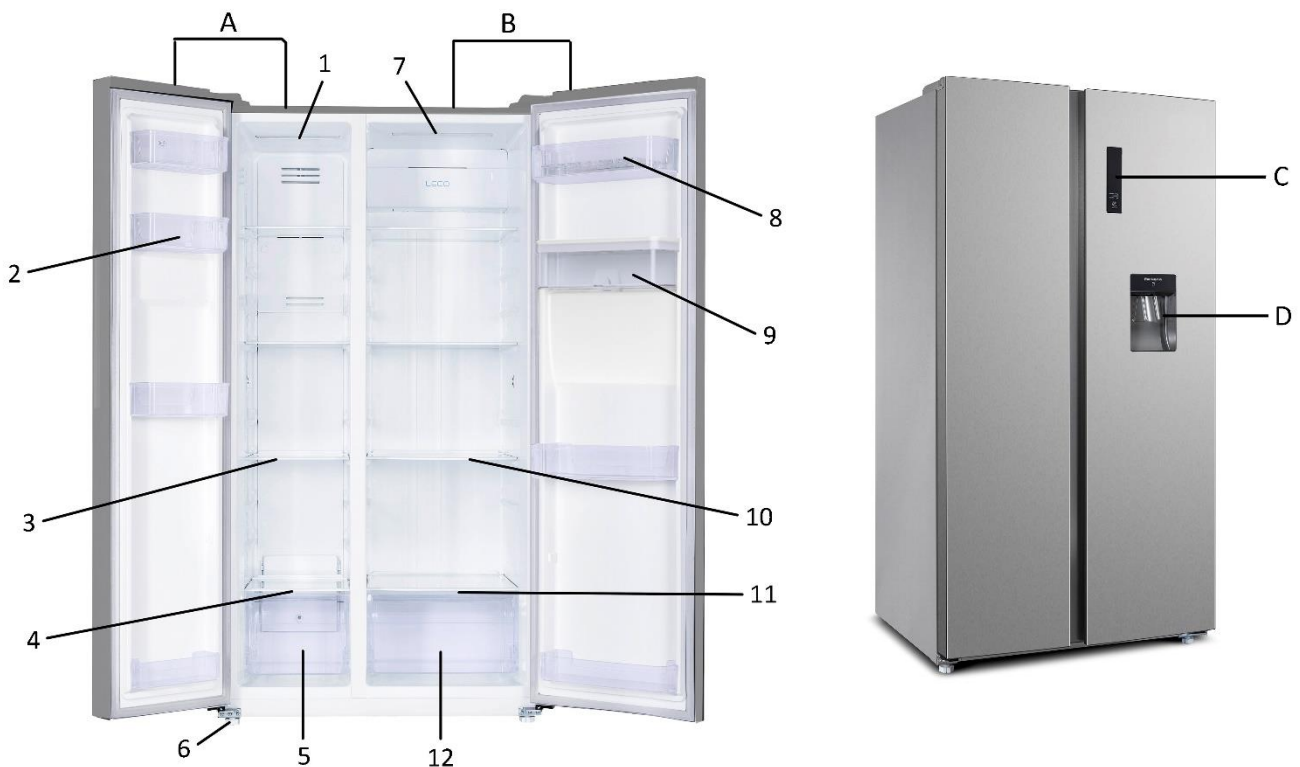
34. **WAARSCHUWING!** Brandgevaar / ontvlambare materialen

35. Voor informatie over het installeren, hanteren, gebruiken, onderhouden, vervangen van de lamp (wanneer van toepassing), reinigen en afdanken van het apparaat, raadpleeg de onderstaande paragraaf van de handleiding.
36. Bewaar geen houders met brandbare materialen, zoals spuitbussen, navulpatronen voor brandblussers, etc. in het apparaat.
37. Plaats geen koolzuurhoudende drank of frisdrank in het vriesvak. Ijslolly's kunnen vrieswonden veroorzaken als ze onmiddellijk na het uithalen worden geconsumeerd.
38. Haal geen items uit het apparaat als uw handen vochtig/nat zijn, dit kan schaaf- of vrieswonden veroorzaken. Stop geen flessen en blikken in het vriesvak, deze kunnen barsten wanneer de inhoud bevriest.
39. Bewaar geen ontvlambare gassen of vloeistoffen in uw apparaat.
40. WAARSCHUWING: Het koelmiddel dat in uw apparaat wordt gebruikt en de isolatiematerialen vereisen een speciale verwijderingsprocedure.
41. WAARSCHUWING: Het is gevaarlijk voor ieder niet vakbekwaam persoon om reparaties of onderhoud uit te voeren waarbij de deksels verwijderd moeten worden. Probeer dit apparaat niet zelf te repareren om het risico van een elektrische schok te voorkomen.
42. WAARSCHUWING: Koelapparaten – in het bijzonder een koel-vriescombinatie van Type I – kunnen niet naar behoren werken (mogelijks ontdooit de inhoud of stijgt de temperatuur in het vriesvak) wanneer ze gedurende een lange periode worden blootgesteld aan een hogere of lagere temperatuur dan het bereik waarvoor ze zijn ontworpen.
43. De koelkast maakt gebruik van het freonvrije koudemiddel (R600a) en milieuvriendelijk schuimisolatiemateriaal (cyclopentaan), waardoor de ozonlaag niet wordt beschadigd en de opwarming van de aarde tot een minimum wordt beperkt. R600a is ontvlambaar en wordt

bij normaal gebruik afgesloten in een koelsysteem, zonder risico op lekkage. Mocht het koudemiddel als gevolg van een beschadigd koelcircuit toch lekken, houd het apparaat uit de buurt van open vlammen en open de ramen zo snel mogelijk voor voldoende ventilatie.

44. Dit apparaat moet voor uw veiligheid juist geaard zijn. Het snoer van dit apparaat is uitgerust met een driepolige stekker die past op standaard driepolige stopcontacten om het risico op elektrische schokken te beperken. Verwijder of knip in geen enkel geval de aardingspen van het meegeleverde snoer af.
45. Deze koelkast vereist een standaard 220-240VAC 50/60Hz stopcontact met driepolige aarding.

## BESCHRIJVING VAN DE ONDERDELEN



Opmerking: Door technologische innovatie is het mogelijk dat de productbeschrijvingen in deze handleiding niet volledig overeenstemmen met uw koelkast. De details zijn in overeenstemming met het echte product.

### A. Vrieskastgedeelte:

1. Ledverlichting
2. Deurrek voor vriesvak
3. Glazen legplank
4. Deksel voor vrieslade
5. Vrieslade
6. Stelvoetje

### B. Koelkastgedeelte:

7. Ledverlichting
8. Deurrek voor koelvak
9. Waterreservoir
10. Glazen legplank
11. Deksel van groentelade
12. Groentelade

### C. Bedieningspaneel

### D. Waterdispenser

## TRANSPORT EN HANTERING

Wanneer de koelkast wordt getransporteerd, houd het vast aan de onderkant en til het voorzichtig op tegen een hoek kleiner dan 45 graden. Houd de handgreep van de deur nooit vast als steun. Plaats het apparaat nooit ondersteboven of horizontaal. Duw de koelkast op zijn basis en verplaats het met behulp van de wieltjes.

## INSTALLATIE

Kies een droge en goed verluchte ruimte waar er geen corrosieve lucht is.

Voor betere prestaties van het koelsysteem en energie te besparen, zorg voor een goede ventilatie rondom het apparaat zodat de warmte juist wordt afgevoerd. Zorg dus dat er voldoende vrije ruimte rond de koelkast is.

### Ventilatieomstandigheden

Zorg ervoor dat de koelkast in een goed geventileerde ruimte staat en niet aan hete lucht wordt blootgesteld. Plaats de koelkast niet in de buurt van een warmtebron, zoals een fornuis, en vermijd direct zonlicht voor betere koelprestaties en een lager stroomverbruik. Plaats de koelkast niet in een vochtige ruimte om roestvorming en het mogelijk lekken van elektriciteit te vermijden. Het resultaat van de totale ruimte van de kamer waarin de koelkast staat gedeeld door de hoeveelheid koudemiddel van de koelkast mag niet lager dan  $8 \text{ g/m}^3$  zijn.

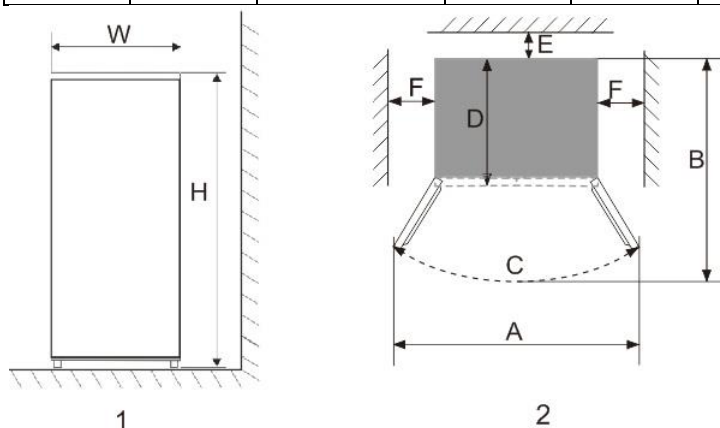
Opmerking: De hoeveelheid koudemiddel die zich in het apparaat bevindt is op het typeplaatje te vinden.

### Warmteafvoer in de ruimte

Tijdens de werking geeft de koelkast warmte af aan de omgeving. Zorg aldus voor een vrije ruimte van minstens 300 mm aan de bovenkant, minstens 100 mm aan weerskanten en meer dan 50 mm aan de achterkant van de koelkast.

Afmetingen in mm:

W	D	H	A	B	C (°)	E	F
839	637	1763	1447	1013	140	50	100



Opmerking: Afbeelding 1 en Afbeelding 2 geven alleen de nodige ruimte van het product weer.

## INGEBRUIKNAME

Pas de voetjes aan en reinig de buiten- en binnenkant van de koelkast met een warme doek.

Schakel de koelkast niet onmiddellijk in nadat deze verticaal is verplaatst. Wacht 2-6 uur voordat het apparaat wordt ingeschakeld om een juiste werking te waarborgen.

Om het snoer niet te beschadigen en andere gevolgen te vermijden, zorg dat het snoer zich niet onder de koelkast of een ander voorwerp bevindt. Voordat de koelkast wordt ingeschakeld, controleer of het spanningsbereik van de koelkast dezelfde is als deze van de netvoeding.

Nadat de koelkast zich op zijn plaats bevindt, laat het eerst gedurende 2-3 uur op een normale bedrijfstemperatuur werken voordat het met verse of bevroren levensmiddelen wordt gevuld.

Als de werking wordt onderbroken, wacht 5 minuten voordat u het apparaat opnieuw inschakelt.

Steek de stekker in een gepast stopcontact om de compressor in te schakelen. Open na 1 uur de deur van de diepvries. Als de temperatuur in het vriesvak aanzienlijk lager is, geeft dit aan dat het koelsysteem normaal werkt.

Nadat de koelkast enige tijd in werking is, wordt de interne temperatuur van de koelkast automatisch geregeld volgens de temperatuurstelling die door de gebruiker is ingesteld. Nadat de koelkast volledig is afgekoeld, stop het voedsel in de koelkast. Het duurt over het algemeen 2 tot 3 uur voordat het voedsel volledig is afgekoeld. In de zomer, wanneer de temperatuur hoog is, duurt het meer dan 4 uur voordat het voedsel volledig is afgekoeld (probeer de koelkastdeur zo weinig mogelijk te openen voordat de interne temperatuur voldoende is afgekoeld).

Als de koelkast in een vochtige ruimte is geïnstalleerd, controleer dan of de aardingsdraad en de aardlekschakelaar werken zoals het hoort. Als er trillingsgeluiden worden waargenomen doordat de koelkast contact maakt met de muur of als de muur zwart wordt door luchtstroming rond de compressor, plaats de koelkast dan verder van de muur. Het plaatsen van de koelkast in de buurt van een mobiele telefoon, vaste telefoon, radio-ontvanger, televisie kan leiden tot storing of beeldvervalsing op dit apparaat. Houd de koelkast aldus zo ver mogelijk uit de buurt van dit soort apparaten.

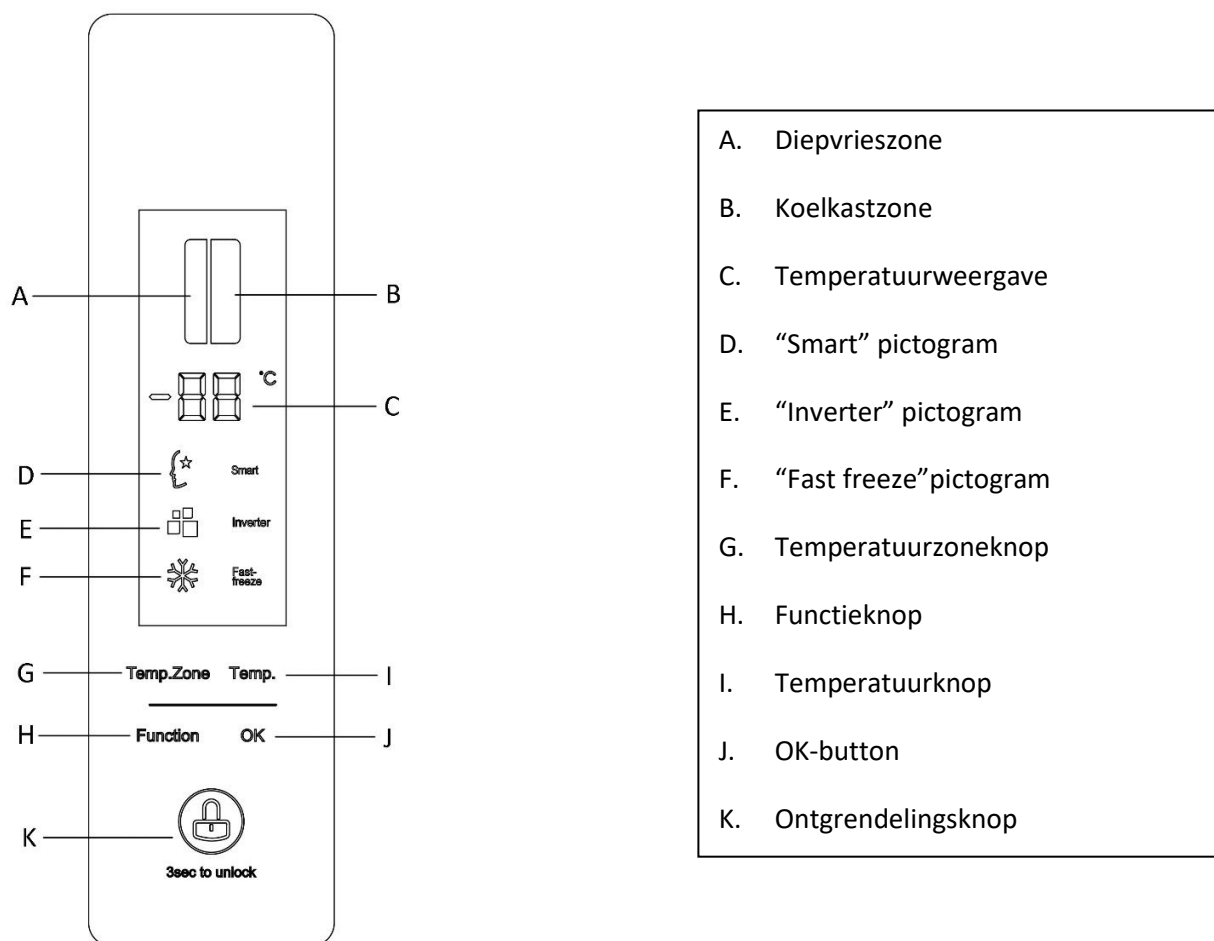
### WERKING (BEDIENINGSPANEEL EN DIGITAAL SCHERM)

Het bedieningspaneel en het digitaal scherm bevinden zich aan de voorkant van de deur.

Wanneer de koelkast voor de eerste keer op de voeding wordt aangesloten, worden alle pictogrammen op het displaypaneel gedurende 2 seconden verlicht en werkt het systeem standaard in de slimme modus. Wanneer alle deuren dicht zijn, wordt het display automatisch gedoofd wanneer er binnen 3 minuten geen enkele knop wordt ingedrukt. Wanneer het display uit is, wordt het opnieuw verlicht als er een deur wordt geopend of er een knop wordt ingedrukt.

De volgende knophandelingen zijn alleen mogelijk wanneer de knoppen zijn ontgrendeld en het display is verlicht.

"Inverter" is de indicator voor frequentieomzetting. Wanneer de stroom is ingeschakeld, licht deze op wanneer de compressor in werking is.



### 1. Temperatuur instellen

Druk op de temperatuurzoneknop om het koel- of vriesvak te selecteren totdat de betreffende zone knippert en druk vervolgens op de temperatuurknop om de gewenste temperatuur in te stellen. Druk ten slotte op de OK-knop om de instelling te bevestigen.

- Het instellen van de temperatuur van het koelvak verloopt als volgt:  
 $5^{\circ}\text{C} \rightarrow 6^{\circ}\text{C} \rightarrow 7^{\circ}\text{C} \rightarrow 8^{\circ}\text{C} \rightarrow \text{OF} \rightarrow 2^{\circ}\text{C} \rightarrow 3^{\circ}\text{C} \rightarrow 4^{\circ}\text{C} \rightarrow 5^{\circ}\text{C}$   
 OF geeft aan dat het koelvak is uitgeschakeld en wanneer de OF-functie in werking treedt, stopt het koelvak met koelen.  
 Voorzichtig: Zorg ervoor dat al het voedsel uit het koelvak is verwijderd voordat deze functie wordt ingesteld.

- Het instellen van de temperatuur van het vriesvak verloopt als volgt:
  - 18°C→-17°C→-16°C→-24°C→-23°C→-22°C→-21°C→-20°C→-19°C→-18°C

## 2. Snelvriesfunctie

- 1) Wanneer de snelvriesfunctie is ingeschakeld, wordt de vriestemperatuur automatisch op -32 °C ingeschakeld en wordt de snelvriesfunctie na 26 uur weer uitgeschakeld. Het snel verlagen van de temperatuur in de diepvries vermijdt verlies van de voedingswaarde en behoudt de versheid van het voedsel.

Opgelet: De vriestemperatuur wordt in de snelvriesmodus niet aangepast.

- 2) De snelvriesfunctie inschakelen

Druk op de functieknop om Snelvriezen te selecteren totdat het overeenkomstig pictogram knippert en druk vervolgens binnen 5 seconden op de OK-knop om te bevestigen. Als de OK-knop niet binnen 5 seconden wordt ingedrukt, dan is de instelling ongeldig.

- 3) De snelvriesfunctie uitschakelen

Na een totale werkingstijd van 26 uur wordt de snelvriesfunctie automatisch uitgeschakeld.

Druk in de snelvriesmodus op de functieknop om Snelvriezen te selecteren totdat het overeenkomstig pictogram knippert en druk vervolgens op de OK-knop om te bevestigen. De snelvriesfunctie wordt vervolgens uitgeschakeld.

Wanneer de slimme functie is ingeschakeld, wordt de snelvriesfunctie automatisch uitgeschakeld.

## 3. Slimme functie

- 1) Wanneer de slimme functie is ingeschakeld, wordt de temperatuur van het koelvak op 5°C en die van het vriesvak op -18°C ingesteld, zodat het voedsel in de best mogelijke staat wordt bewaard terwijl de koelkast efficiënter en beter werkt.

**Opgelet: In de slimme modus kan de temperatuur van het koelvak en het vriesvak niet worden gewijzigd.**

- 2) De slimme functie inschakelen

Druk op de functieknop om Smart te selecteren totdat het overeenkomstig pictogram knippert en druk vervolgens binnen 5 seconden op de OK-knop om te bevestigen. Als de OK-knop niet binnen 5 seconden wordt ingedrukt, dan is de instelling ongeldig.

- 3) De slimme functie uitschakelen

Druk in de slimme modus op de functieknop om Smart te selecteren totdat het overeenkomstig pictogram knippert en druk vervolgens op de OK-knop om te bevestigen. De slimme functie wordt uitgeschakeld.

Wanneer de snelvriesfunctie is ingeschakeld, wordt de slimme functie automatisch uitgeschakeld.

## 4. Kinderslot

- 1) Wanneer de kinderslotfunctie is ingeschakeld, kunnen de temperatuur en functie niet worden gewijzigd om een verkeerde werking te voorkomen.

- 2) Als er binnen 3 minuten geen enkele knop wordt ingedrukt, wordt de kinderslotfunctie automatisch ingeschakeld.

- 3) De kinderslotfunctie handmatig uitschakelen:

Houd de ontgrendelingsknop 3 seconden ingedrukt en de kinderslotfunctie wordt vervolgens uitgeschakeld.

## 5. Deur open-alarm

Als er een deur langer dan 3 minuten open staat, dan gaat er continu een zoemeralarm af. Dit alarm kan worden gestopt wanneer er op een knop wordt gedrukt, maar gaat na 3 minuten opnieuw af als de deur nog steeds open is. Het alarm wordt pas uitgezet als de deur dicht is.

## 6. Stroomstoring geheugen

In geval van een stroomstoring, slaat de koelkast de huidige bedrijfstoestand in het geheugen op en wordt deze hervat zodra de voeding is hersteld.

## 7. Inschakelvertraging

Om te voorkomen dat de compressor van de koelkast beschadigd raakt in geval van een korte stroomuitval (i.e. korter dan 5 minuten), zal de compressor niet onmiddellijk starten nadat de koelkast opnieuw wordt ingeschakeld.

## 8. Alarm voor te hoge temperatuur (alleen na stroomuitval)

Wanneer de koelkast is ingeschakeld en de sensor in het vriesvak meet een temperatuur boven  $-10^{\circ}\text{C}$ , dan knippert de diepvrieszone op het display. De vriestemperatuur kan worden weergegeven door op een willekeurige knop te drukken en de normale weergave wordt hersteld wanneer er opnieuw op een knop wordt gedrukt of na 10 seconden.

## 9. Foutalarm

Als E0, E1, E2, EH of EC op het bedieningspaneel wordt weergegeven, geeft dit een storing van de koelkast aan. Neem contact op met de klantenservice.

**Opmerking:** de temperatuur heeft invloed op de bewaartijd van de levensmiddelen. Regel de temperatuur zoals nodig. Warmer zal de levensmiddelen sneller bederven en kouder zal de levensmiddelen op verkeerde manier invriezen. De levensmiddelen worden aldus verspild.

## LEVENS MIDDELEN BEWAREN

Uw apparaat is over het algemeen uitgerust met de accessoires die zijn weergegeven in de sectie "Beschrijving van de onderdelen". Deze opstelling zorgt voor de beste bewaring van uw levensmiddelen.

**Opmerking:** De levensmiddelen mogen geen enkel binnenoppervlak van het apparaat direct aanraken. Levensmiddelen moeten afzonderlijk worden verpakt in aluminiumfolie, krimpfolie of een luchtdichte kunststof doos.

### Levensmiddelen in het koelvak bewaren

Het koelvak zorgt voor een langere bewaartijd van verse, beperkt houdbare levensmiddelen.

Beste manier om verse levensmiddelen te bewaren:

- Bewaar alleen zeer verse levensmiddelen van een goede kwaliteit.
- Zorg dat de levensmiddelen goed zijn verpakt of afgedekt voordat u ze bewaart. Dit voorkomt dat de levensmiddelen uitdrogen, bleker worden of aan smaak verliezen en zorgt voor een langere versheid. Dit vermijdt tevens overdracht van geuren. De groente of het fruit moet niet zijn verpakt wanneer het in de groentelade van het koelvak wordt gestopt.
- Zorg dat levensmiddelen met een sterke geur goed verpakt en afgedekt zijn en bewaar deze uit buurt van boter, melk en room en andere levensmiddelen die door een sterke geur aangetast kunnen worden.
- Laat warme levensmiddelen afkoelen voordat u ze in het koelvak plaatst.

Legplank voor koelkast: Wanneer u een legplank wilt verwijderen, til de legplank eerst op en trek deze er vervolgens uit; en wanneer u een legplank wilt installeren, breng de legplank eerst op zijn plaats aan voordat u deze neerlegt. Zorg dat de achterste rand van de legplank omhoog is gericht om te voorkomen dat voedsel met de binnenwand van de koelkast in aanraking komt. Bij het uitnemen of plaatsen van de legplank, houd deze stevig vast en wees voorzichtig om de legplank niet te beschadigen.

Groentelade: Trek de groentelade uit voor toegang tot het voedsel. Plaats de afdekplaat van de groentelade na gebruik of reiniging weer terug op de groentelade, zodat de interne temperatuur van de groentelade niet wordt beïnvloed.

Deurrek voor koelkast: Houd het flessenrek met beide handen vast en duw het vervolgens omhoog.

### Zuivelproducten en eieren

- De meeste voorverpakte zuivelproducten zijn voorzien van een minimale houdbaarheidsdatum. Bewaar deze in het koelvak en gebruik binnen de aangegeven tijd.
- Boter kan worden aangetast door levensmiddelen met een sterke geur; het is aanbevolen om boter in een afgesloten houder te bewaren.
- Eieren kunnen in het koelvak bewaard worden.

### Rood vlees

- Leg vers rood vlees op een bord en bedek losjes met waspapier (vetvrij papier), of plastic- of aluminiumfolie.
- Bewaar gekookt en rauw vlees op verschillende borden. Dit vermijdt dat er sappen van rauw vlees op het gekookt vlees terechtkomen.



### **Gevogelte**

- Spoel hele, verse vogels aan de binnen- en buitenkant af met koud stromend water. Bedek losjes met plastic- of aluminiumfolie.
- Bewaar delen van het pluimvee op dezelfde manier. Vul het pluimvee alleen net voor het koken, anders kan voedselvergiftiging optreden.

### **Vis, schaal- en schelpdieren**

- Bereid verse vis en filets op de dag van aankoop. Tot wanneer nodig, bewaar de vis op een bord, losjes bedekt met waspapier, of plastic- of aluminiumfolie in de koelkast.
- Als u vis een nacht of langer in de koelkast wilt bewaren, kies dan voor zeer verse vis. Spoel een hele vis in koud water en verwijder losse schubben en vuil. Dep de vis vervolgens droog met keukenrol. Stop de hele vis of filets in een afgesloten plastic tas.
- Houd schaal- en schelpdieren op elk moment gekoeld. Gebruik binnen 1- 2 dagen.

### **Voorgekookt voedsel en etensresten**

- Bewaar in een gepaste houder met deksel zodat de levensmiddelen niet uitdrogen.
- Gebruik binnen 1- 2 dagen.
- Warm etensresten slechts eenmaal op en totdat ze dampend heet zijn.

### **Groentelade**

- De groentelade is de ideale opbergruimte voor verse groente en fruit.
- Zorg dat u onderstaande levensmiddelen niet gedurende een lange periode op een temperatuur lager dan 7°C bewaart: Citrusvruchten, meloenen, ananas, papaja's, passievruchten, komkommers, paprika's en tomaten.
- Ongewenste wijzigingen doen zich bij lage temperaturen voor, zoals het verzachten van het vruchtvlees, bruin worden en/of sneller bederven.
- Bewaar geen avocado's (totdat ze rijp zijn) bananen en mango's in de koelkast.

<b>Levensmiddel</b>	<b>Locatie</b>
Boter, kaas	Bovenste deurrek
Eieren	Deurrek
Fruit, groente, salade	Groentelade
Vlees, worst, kaas, melk	Onderste gebied (onderste legplank / deksel voor groentelade)
Zuivelproducten, voedsel in blik, blikjes	Bovenste gebied of deurrek
Drank, flessen, tubes	Deurrek

### **Levensmiddelen in de vrieskast invriezen en bewaren**

- Om diepgevroren levensmiddelen te bewaren.
- Om ijsblokjes te maken.
- Om levensmiddelen in te vriezen.

**Opmerking:** Zorg dat de deur van het vriesvak altijd goed gesloten is.

### **Diepvriesproducten kopen**

- De verpakking mag niet beschadigd zijn.
- Gebruik binnen de minimale houdbaarheidsdatum.
- Indien mogelijk, transporteer diepgevroren levensmiddelen in een isolerende tas en plaats de levensmiddelen snel in het vriesvak.

### **Diepvriesproducten bewaren**

Bewaar op -18°C of kouder. Open de deur van het vriesvak alleen indien nodig.

### **Verse levensmiddelen invriezen**

Vries alleen verse en onbeschadigde levensmiddelen in.

Om de best mogelijke voedingswaarde, smaak en kleur te behouden, kunt u groente blancheren voordat u het invriest.

Aubergines, paprika's, courgettes en asperges hoeven niet te worden geblancheerd.

**Opmerking:** Houd de in te vriezen levensmiddelen uit de buurt van levensmiddelen die reeds ingevroren zijn.

- De volgende levensmiddelen zijn geschikt om in te vriezen:  
Cakes en gebak, vis en schaal- en schelpdieren, vlees, wild, pluimvee, groente, fruit, specerijen, eieren zonder schaal, zuivelproducten zoals kaas en boter, kant-en-klaar gerechten en etensresten zoals soep, stoofschotels, gekookt vlees en vis, aardappelgerechten, soufflés en desserts.

- De volgende levensmiddelen zijn niet geschikt om in te vriezen:  
Groente die over het algemeen rauw wordt gegeten zoals sla, radijzen, eieren in de schaal, druiven, appels, peren en perziken, hard gekookte eieren, yoghurt, zure melk, zure room en mayonaise.

### Diepvriesproducten inpakken

Om te vermijden dat levensmiddelen hun smaak verliezen of uitdrogen, stop ze in een luchtdichte verpakking.

1. Stop de levensmiddelen in de verpakking.
2. Verwijder alle lucht.
3. Dicht de verpakking af.
4. Label de verpakking met de inhoud en datum van invriezen.

Gepaste verpakking:

Plastic folie, buisfolie van polyethyleen, aluminiumfolie. Deze producten zijn te verkrijgen bij uw speciaalzaak.

### Aanbevolen bewaarduur van diepvriesproducten in het vriesvak

Deze tijden kunnen verschillen naar gelang het soort levensmiddel. De bevroren levensmiddelen kunnen tussen 1 en 12 maanden worden bewaard (minimum op -18°C).

Levensmiddel	Bewaartijd
Spek, stoofschotels, melk	1 maand
Brood, roomijs, worst, erwten, bereide schelpdieren, vette vis	2 maanden
Niet-vette vis, schelpdieren, pizza, scones en muffins	3 maanden
Ham, cakes, koeken, rundvlees en lamskoteletjes, stukken pluimvee	4 maanden
Boter, groente (geblancheerd), volledig ei en dooiers, gekookte rivierkreeften, gehakt (rauw), varkensvlees (rauw)	6 maanden
Fruit (droog of in siroop), eiwit, rundvlees (rauw), volledige kip, lamsvlees (rauw), fruitcakes	12 maanden

### Nooit vergeten:

- Als u verse levensmiddelen met een minimale houdbaarheidsdatum invriest, moet u ze voor het verstrijken van deze datum invriezen.
- Controleer of de levensmiddelen vroeger reeds niet werden ingevroren. Bevroren levensmiddelen die volledig ontdooid zijn mogen niet opnieuw worden ingevroren.
- Zodra ontdooid, dienen de levensmiddelen snel opgegeten te worden.
- Stop geen glazen houders met een vloeistof in het vriesvak, het glas kan barsten.

### Snelvriezen:

- Raadpleeg de beschrijving over de snelvriesfunctie in de sectie "WERKING".
- Snelvriezen zorgt, in vergelijking met normaal vriezen, ervoor dat er zo snel mogelijk ijskristallen binnenin het voedsel worden gevormd. Snelvriezen kan het water in het voedsel bevriezen tot fijne ijskristallen, zonder het celmembran te beschadigen, zodat er geen celsap verloren gaat tijdens het ontdooien en de oorspronkelijke versheid en voedingswaarde van het voedsel worden behouden.
- De snelvriesfunctie is ontworpen om de voedingswaarde van het diepgevroren voedsel te behouden door het voedsel zo snel mogelijk volledig in te vriezen. Snelvriezen verbruikt meer energie dan normaal vriezen.

### NUTTIGE HINTS EN TIPS

- Houd de deur niet langdurig open om energie te besparen.
- Zorg dat het apparaat zich uit de buurt van een warmtebron (direct zonlicht, elektrische oven of fornuis, etc.) bevindt.
- Bewaar geen warme levensmiddelen of dampende vloeistoffen in het apparaat.
- Orden de levensmiddelen zodat de lucht ongehinderd door het apparaat kan circuleren.

## Uw apparaat uitschakelen

Als u denkt het apparaat langere tijd niet te gebruiken, voer de volgende stappen uit om schimmelvorming in het apparaat te vermijden.

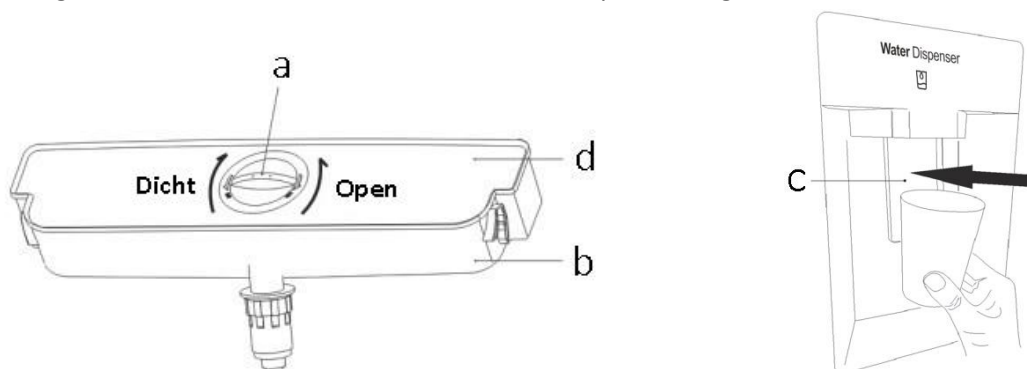
1. Verwijder alle levensmiddelen;
2. Haal de stekker uit het stopcontact;
3. Reinig en droog de binnenkant grondig;
4. Zorg dat alle deuren op een kier open zijn om lucht te laten circuleren.

## Hoe het ijsblokjesbakje gebruiken?

Plaats het ijsblokjesbakje bovenin het vriesvak, zodat de ijsblokjes zo snel mogelijk worden gevormd.

## WATERDISPENSER

De koelkast is voorzien van een waterdispenser om uw glazen eenvoudig met water te vullen en vrijwel direct toegang tot koud water te krijgen. De waterdispenser bevat één reservoir van 2,5 liter om met water te worden gevuld. Volg de onderstaande instructies om de waterdispenser te gebruiken:



1. Open de koelkastdeur om na te gaan of de waterdispenser goed vastzit.
2. Open het vuldeksel (a) van het waterreservoir (b) en vul het waterreservoir langzaam om gemors te voorkomen totdat het reservoir vol is. Sluit vervolgens het vuldeksel van het waterreservoir.
3. Zodra het waterreservoir vol is, stel het koelvak in op de laagste temperatuur, en een uur later kunt u drinkwater laten stromen door op de waterschakelaar (c) te drukken.
4. Tijdens het gebruik van de waterdispenser kan er wat water druppelen en zich aan de onderkant van de waterdispenser ophopen. Veeg het indien nodig weg met een doek.
5. Vul het reservoir niet boven het deksel van het reservoir (d), zoals aangegeven door de maximale vullijn.

**Opmerking:** Neem uw glas pas weg wanneer er geen water meer druppelt.

## REINIGING EN ONDERHOUD

**Trek voor het reinigen eerst de stekker uit het stopcontact. Steek de stekker niet in een stopcontact of trek deze er niet uit wanneer uw handen nat zijn om het risico op een elektrische schok of letsel te vermijden. Mors geen water rechtstreeks op de koelkast om roestvorming, een elektrische schok of een ongeluk te voorkomen. Steek uw handen niet in de bodem van de koelkast, u kunt schaafwonden oplopen door de scherpe metalen hoeken.**

### De buitenkant reinigen

- Maak de buitenkant regelmatig schoon om een mooi uiterlijk te behouden.
- Spuit water op een schoonmaakdoek in plaats van het water direct op het apparaat te spuiten. Dit zorgt voor een gelijkmatige verdeling van het vocht over het oppervlak.

### Opgelet!

Gebruik geen scherpe voorwerpen, deze kunnen krassen op het oppervlak achterlaten. Maak het apparaat niet schoon met een verdunningsmiddel, autowasmiddel, bleekmiddel, etherische olie, schuurmiddel of een organisch oplosmiddel, zoals benzeen. De buitenkant van het apparaat kan worden beschadigd en vuur vatten.

### De binnenkant reinigen

Maak de binnenkant van het apparaat regelmatig schoon. Het apparaat kan eenvoudiger worden schoongemaakt wanneer er zich weinig levensmiddelen in het apparaat bevinden. Veeg de binnenkant van de koel-/vriescombinatie schoon met een milde oplossing van zuiveringszout en spoel vervolgens met warm water

en een uitgewrongen spons of doek. Veeg volledig droog voordat u de legplanken en laden terug plaatst. Veeg alle oppervlakken en uitneembare onderdelen helemaal droog.

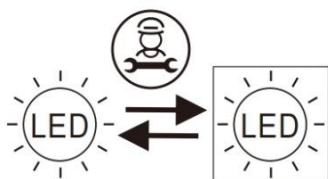
**Opgelet!** Zorg dat er geen water in de lampenkap en andere elektrische onderdelen binnendringt.

**Opgelet:** Gebruik geen borstel, staalborstel, wasmiddel, zeepoeder, alkalisch reinigingsmiddel, benzeen, benzine, zuur, heet water en andere bijtende of oplosbare middelen om de buitenkant van het apparaat, de deurpakking, de plastic decoratieve onderdelen, etc. schoon te maken en schade te vermijden.

Veeg de deurpakking voorzichtig droog en maak de groef schoon met een houten eetstokje omwikkeld met katoenen koord. Na reiniging, maak eerst de vier hoeken van de deurpakking vast en duw de deurverpakking vervolgens per segment in de groef vast.

### De LED-lamp vervangen

**Waarschuwing:** de LED-lamp mag niet door de gebruiker worden vervangen! Als de LED-lamp stuk is, neem contact op met een erkende vakman om deze te vervangen.



De lichtbron (alleen led) mag alleen door een vakman worden vervangen

Dit product bevat een lichtbron van energie-efficiëntieklasse G.

### Stroomonderbreking of storing van het koelsysteem

- Zorg voor de bevroren producten wanneer een langdurige uitschakeling van het koelapparaat optreedt (zoals door een stroomonderbreking of storing van het koelsysteem).
- Probeer de deur van de koelkast zo weinig mogelijk te openen, zo kunnen etenswaren ook tijdens een warme zomer urenlang veilig en vers worden bewaard.
- Als u op voorhand weet hebt van een stroomuitval:
  - Stel één uur van tevoren de temperatuur in op de hoge stand, zodat het voedsel volledig wordt ingevroren (bewaar geen nieuw voedsel gedurende deze tijd!). Stel de temperatuur opnieuw op de oorspronkelijke instelling in wanneer het apparaat weer onder stroom staat.
  - U kunt tevens een waterdichte bak met ijs vullen en deze in het bovenste gedeelte van de diepvries plaatsen voor een langere bewaartijd van vers voedsel.

**Opmerking:** Als de koelkast eenmaal is ingeschakeld, kunt u deze beter continu ingeschakeld houden. Schakel het apparaat in normale omstandigheden niet uit voor een langere levensduur van het apparaat.

### Ontdooien

Dit apparaat is ontworpen met een automatische ontdooifunctie, het is dus niet nodig om het apparaat handmatig te ontdooien.

### TECHNISCHE GEGEVENS

Nominale spanning:	220-240V~
Nominale stroom:	1,9A
Nominale frequentie:	50/60Hz
Ontdooivermogen:	220W
Klimaatklasse:	SN/N/ST/T
Koelmiddel:	R600a(72g)
Bescherming tegen elektrische schokken:	I
Isolatie-blaasgas:	CYCLOPENTAAN

### Klimaatklasse:

- Subnormaal (SN): 'dit koelapparaat is bestemd om gebruikt te worden bij een omgevingstemperatuur tussen 10°C en 32°C';
- Normaal (N): 'dit koelapparaat is bestemd om gebruikt te worden bij een omgevingstemperatuur tussen 16°C en 32°C';

- Subtropisch (ST): 'dit koelapparaat is bestemd om gebruikt te worden bij een omgevingstemperatuur tussen 16°C en 38°C';
- Tropisch (T): 'dit koelapparaat is bestemd om gebruikt te worden bij een omgevingstemperatuur tussen 16°C en 43°C';

Opmerking: Gezien de grenswaarden van het omgevingstemperatuurbereik voor de klimaatklassen waarvoor het koelapparaat is ontworpen en het feit dat de interne temperatuur wordt beïnvloed door verschillende factoren, waaronder de locatie van het koelapparaat, de omgevingstemperatuur en de frequentie van het openen van de deur, moet de instelling van een apparaat met temperatuurregeling mogelijk worden gewijzigd om rekening te houden met deze factoren.

Bij gebruik in een andere omgeving dan het gespecificeerde klimaattype (d.w.z. buiten het nominale omgevingstemperatuurbereik), kan het apparaat mogelijk niet in staat zijn om de gewenste temperatuur in de vakken te behouden.

**Opmerking:** Voor meer informatie over de gegevens, scan de QR-code op het energielabel.

#### PROBLEEMOPLOSSING

Probleem	Oorzaak	Oplossing
Het apparaat werkt niet.	Er is geen elektrische voeding	Controleer of de stekker van het apparaat in het stopcontact zit.
	De zekering werkt niet.	Vervang de zekering.
Het apparaat maakt veel lawaai.	Het apparaat staat te dicht tegen de muur of niet stabiel, of de accessoires zijn verkeerd in de koelkast geplaatst.	Zet de koelkast waterpas door de stelvoetjes aan te passen, haal het apparaat weg van de muur of plaats de accessoires op de juiste positie in de koelkast.
Het apparaat is onvoldoende koud.	De deur is te vaak of te lang geopend.	Sluit de deur en open deze niet te vaak.
	De koelkast staat te dicht tegen de muur.	Haal het apparaat weg van de muur voor een betere ventilatie.
	De koelkast is te vol.	Haal levensmiddelen uit het apparaat.
Het apparaat geeft een onaangename geur af.	Er bevinden zich bedorven levensmiddelen in de koelkast.	Gooi bedorven levensmiddelen weg en pak andere levensmiddelen in.
	Reinig de binnenkant van het apparaat regelmatig.	Maak de binnenkant van het apparaat schoon.
De knoppen werken niet	Controleer of de kinderslotfunctie op het displaypaneel ingeschakeld is.	Houd de ontgrendelingsknop 3 seconden ingedrukt. (Raadpleeg voor meer informatie de kinderslotfunctie in de sectie "WERKING").
De temperatuur kan niet worden ingesteld	Controleer op het display of de Slimme of snelvriezen-functie is ingeschakeld.	Schakel de speciale functiemodus uit en stel vervolgens de temperatuur in (raadpleeg voor meer informatie de sectie "WERKING").
Vriestemperatuur wordt op het paneel weergegeven, met knipperende temperatuurcijfers	Is de stroom eerder uitgevallen?	Druk op een willekeurige knop om het alarm op te heffen (raadpleeg de alarmfunctie voor te hoge temperatuur in de sectie "WERKING") en controleer vervolgens of het voedsel in het apparaat niet bedorven is.

#### De volgende symptomen zijn geen defecten:

- Het geluid van koelmiddel dat in de leidingen stroomt, dit is normaal.
- Condens op de buitenkant van het apparaat bij een hoge vochtigheidsgraad, dit is normaal. Veeg de condens weg met een droge, zachte doek.
- De compressor en condensator kunnen warm worden tijdens een warme periode.
- Het frame van de deur kan warm aanvoelen, dit doet zich voor wanneer de condensator in werking is om de vochtige lucht af te voeren.

**Het is normaal om regelmatig het geluid van de motor te horen. De motor draait meer in de volgende omstandigheden:**

- De temperatuur is lager ingesteld dan nodig.
- Er werd recent een grote hoeveelheid warme levensmiddelen in het apparaat gestopt.
- De temperatuur buiten het apparaat is te hoog.
- De deuren zijn te lang of te vaak open.
- Na installatie of langdurige uitschakeling van het apparaat.

#### **GARANTIE EN KLANTENSERVICE**

Vóór de levering worden onze apparaten streng gecontroleerd. Indien het toestel ondanks alle zorg bij de productie of tijdens het transport beschadigd werd, moet u het naar de handelaar terugbrengen. Naast het wettelijke recht op waarborg heeft de klant recht op de volgende garantieclaim:

Wij geven een garantie van 2 jaar op het toestel, te beginnen met de koopdatum. Indien u een defect product heeft, kunt u rechtstreeks terug gaan naar het aankooppunt.

Gebreken die het gevolg zijn van ondeskundig gebruik van het toestel, fouten tijdens ingrepen en reparaties door derden of door de inbouw van vreemde onderdelen, vallen niet onder deze garantie. Bewaar altijd uw aankoopnota, zonder aankoopnota kunt u geen aanspraak maken op enige vorm van garantie. Bij schade veroorzaakt door het niet opvolgen van de gebruiksaanwijzing vervalt het recht op garantie. Voor vervolgschade die hieruit ontstaat kunnen wij niet verantwoordelijk gehouden worden. Voor materiële schade of persoonlijk letsel veroorzaakt door ondeskundig gebruik of het niet opvolgen van de veiligheidsvoorschriften zijn wij niet aansprakelijk. In dergelijke gevallen vervalt iedere aanspraak op garantie. Schade aan accessoires of onderdelen betekend niet dat het gehele apparaat zal worden vervangen. Afgebroken glazen of kunststof onderdelen of accessoires vallen niet onder de garantie en zullen tegen vergoeding vervangen kunnen worden. Defecten aan hulpstukken of aan slijtage onderhevige onderdelen, alsmede reiniging, onderhoud of de vervanging van slijtende delen vallen niet onder de garantie en zullen dus in rekening gebracht worden.

De garantieperiode voor de reserveonderdelen is 2 jaar. Als vervanging nodig is, neem contact op met onze klantenservice.

#### **MILIEUVRIENDELIJKE AFVALVERWERKING**



Recycling – Europese Richtlijn 2012/19/EU

Deze markering betekent dat dit product niet samen met ander huishoudelijk afval mag worden afgedankt. Om het milieu en de volksgezondheid niet in gevaar te brengen en het hergebruik van grondstoffen te bevorderen, moet dit product op verantwoordelijke wijze worden afgevoerd. Lever

verbruikte apparatuur a.u.b. in bij de hiervoor bestemde inzamelpunten of bij de winkel waar het product was aangeschaft. Zij zullen dit product accepteren voor milieuvriendelijke afvalverwerking.

Voor een professionele reparatie en het bestellen van reserveonderdelen, neem contact op met onze klantenservice.

Emerio B.V.  
Zomervaart 1A  
2033 DA Haarlem  
The Netherlands

**Customer service:**  
T: +31 (0) 23 3034369  
E: info@emerio.eu

**Kundeninformation:**  
T: +49 (0) 3222 1097 600  
E: info.de@emerio.eu

**Klantenservice:**  
T: +31 (0) 23 3034369  
E: info.nl@emerio.eu