

EMERIO®

AF-125323



Smart Fryer

®

(EN)

(DE)

(SE)

(NL)

(FI)

(NOR)

(DK)

CE

Content – Inhalt – Innehåll – Inhoud – Pitoisuus – Innhold – Indhold

| | |
|------------------------------------|--------|
| Instruction manual – English | - 2 - |
| Bedienungsanleitung – German | - 10 - |
| Bruksanvisning – Swedish | - 20 - |
| Gebruiksaanwijzing – Dutch | - 28 - |
| Käyttöopas – Finnish | - 37 - |
| Brukermanual – Norwegian | - 45 - |
| Brugsanvisning – Danish..... | - 53 - |

SAFETY INSTRUCTIONS

Before use make sure to read all of the below instructions in order to avoid injury or damage, and to get the best results from the appliance. Make sure to keep this manual in a safe place. If you give or transfer this appliance to someone else make sure to also include this manual.

In case of damage caused by user failing to follow the instructions in this manual the warranty will be void. The manufacturer/importer accepts no liability for damages caused by failure to follow the manual, a negligent use or use not in accordance with the requirements of this manual.

1. This appliance can be used by children aged from 8 years and above and persons with reduced physical, sensory or mental capabilities or lack of experience and knowledge if they have been given supervision or instruction concerning use of the appliance in a safe way and understand the hazards involved.
2. Children shall not play with the appliance.
3. Cleaning and user maintenance shall not be made by children unless they are older than 8 and supervised.
4. Keep the appliance and its cord out of reach of children less than 8 years.
5. If the supply cord is damaged, it must be replaced by the manufacturer, its service agent or similarly qualified persons in order to avoid a hazard.
6. Regarding the instructions for cleaning the surfaces which come in contact with food or oil, please refer to the paragraph “CLEANING AND MAINTENANCE” of the manual.
7. This appliance is not intended to be operated by means of an external timer or separate remote-control system.
8. Before inserting the plug into the mains socket, please check that the voltage and frequency comply with the specifications on the rating label.

9. Always plug the appliance into an earthed plug socket.
10. Disconnect the mains plug from the socket when the appliance is not in use and before cleaning.
11. If an extension cord is used it must be suited to the power consumption of the appliance, otherwise overheating of the extension cord and/or plug may occur. There is a potential risk of injuries from tripping over the extension cord. Be careful to avoid dangerous situations.
12. Ensure that the mains cable is not hung over sharp edges and keep it away from hot objects and open flames.
13. Do not immerse the appliance or the mains plug in water or other liquids. There is danger to life due to electric shock!
14. To remove the plug from the plug socket, pull the plug. Do not pull the power cord.
15. Do not touch the appliance if it falls into water. Remove the plug from its socket, turn off the appliance and send it to an authorized service center for repair.
16. Do not plug or unplug the appliance from the electrical outlet with a wet hand.
17. Never attempt to open the housing of the appliance, or to repair the appliance yourself. This could cause electric shock.
18. Never leave the appliance unattended during use.
19. This appliance is not designed for commercial use.
20. Do not use the appliance for other than intended use.
21. Do not wind the cord around the appliance and do not bend it.
22. Place the appliance on a stable, level surface from which it cannot fall off.
23. Please prevent the product to be exposed to excessive dirt and humidity.
24. Clean the product itself with a slightly damp cloth.
25. Do not operate the machine without supervision, if you should leave the workplace, always switch the machine

off or remove the plug from socket (pull the plug itself, not the lead).

26. Do not place the appliance against a wall or against other appliance. Leave at least 10cm free space on the back and sides and above the appliance.
27. During hot air frying, hot steam is released through the air outlet openings. Keep your hands and face at a safe distance from the steam and from the air outlet openings. Also be careful of hot steam and air when you remove the pan from the appliance.
28. Immediately unplug the appliance if you see dark smoke coming out of the appliance. Wait for the smoke emission to stop before you remove the pan from the appliance.
29. Make sure before each use of the appliance that the heating element and surroundings are clean and clear from any food remainders in order to ensure a flawless function.

30.

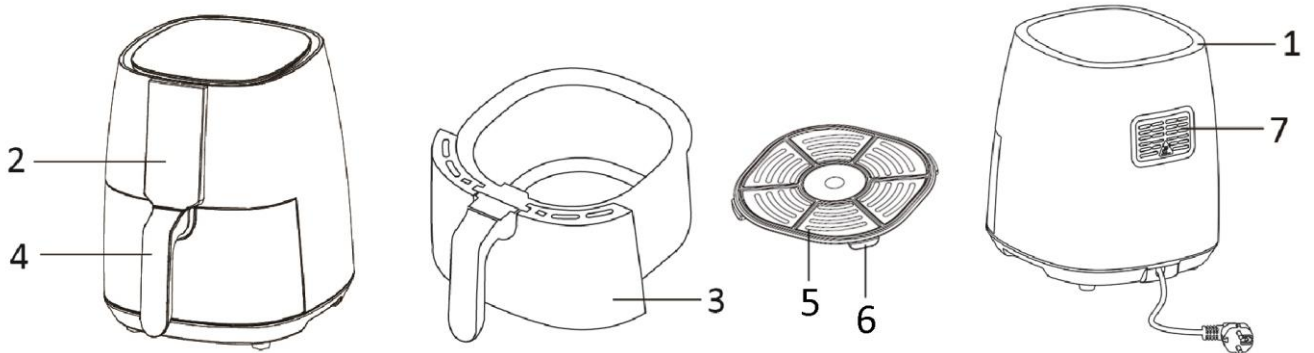


Caution, hot surface.

WARNING!! Please do not touch surface while in use. The temperature of accessible surfaces may be high when the appliance is operating.

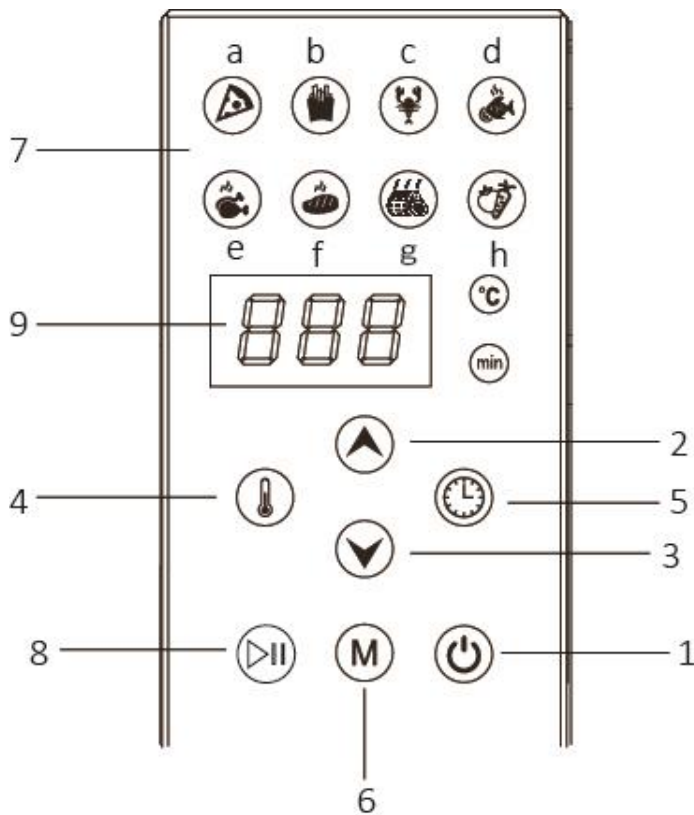
31. Hot air comes out of the air vent at the back side of the appliance. Be sure to keep sufficient distance to materials, like glass, that are sensitive to heat.
32. If you use products with non-stick surfaces, please make sure no birds are in the same room and that the room can be completely closed off and well-ventilated.

PARTS DESCRIPTION



1. Air inlet
2. Control panel and display
3. Basket
4. Basket handle
5. Frying grill
6. Silicone case
7. Air outlet

Control panel and display



1. On/off button
2. Adjustment button (“+”)
3. Adjustment button (“-”)
4. Temperature control (Press adjustment button to adjust the temperature from 80°C to 200°C)
5. Timer control (Press adjustment button to adjust the time from 1 to 60 minutes)

6. Menu selection
7. Menu (listed below)
8. Start/pause button
9. Timer and temperature display

Menu:

- a). pizza, b). chips, c). shrimps, d). fish,
e). drumsticks, f). steak, g). rib, h). vegetable

BEFORE USE

First read all instructions before use and retain the manual for later reference. Only plug this appliance into an earthed socket. Before first use, remove the packing materials. Clean the basket and frying grill. (See "CLEANING AND MAINTENANCE") Wipe inside and outside of the appliance with a soft cloth. Make sure that the electrical parts remain dry. **This appliance heats food at all directions and most of the ingredients do not need any oil.**

Operate the appliance before first use for approximately 10 minutes in order to burn off production residues. Make sure there is good ventilation. The appliance may emit some smoke and a characteristic smell when you switch it on for the first time. This is normal and will stop soon.

Note: Always use the frying grill with the silicone cases attached. They will help to stabilize the frying grill in the basket during cooking.

USE

1. Place the appliance on a dry, stable and heat-resistant surface.
2. Since the appliance becomes hot during use, make sure that it is not too close to other objects.
3. Pull out the basket from the appliance by the basket handle. Put the frying grill into the basket.
4. Place the ingredients into the basket. Slide the basket into the appliance. Make sure they are placed correctly and closed completely. Otherwise the appliance will not work. Caution: Do not touch the basket during use or after use in short time as it gets very hot. Only hold the basket by the handle.
5. Connect the power plug to a suitable outlet. The machine sends out one beep sound and enters into standby. Press the on/off button, the digital display and the start/pause button flash.
6. Press the temperature control button and then adjustment button to set your desired temperature (5 °C / press). Press the time control button and then adjustment button to set desired time (1 minute / press). You can also long press the adjustment button for rapid adjustment.
7. You can also press the menu selection button to directly choose the cooking functions in the menu. If you wish to adjust the time and temperature a little, please make adjustment as step 6. The select food icon in the menu will flash.
8. Press the start/pause button once; the machine starts working. The digital display shows the set temperature and time. You can press the start/pause button again to make a pause, and in the state of pause, the digital display and the start/pause button will flash. If there is no operation for about 1 minute in the pause state, the machine will automatically enter into standby with 5 beep sounds.
9. When the whole cooking process is finished, "00 min" flashes on the display, and then the blower will stop working in a few seconds. You can also manually turn off the machine by pressing the on/off button. There are 5 beep sounds when the machine enters into standby.
10. Pull out the basket from the appliance by the basket handle. Check if the ingredients are ready. If not, simply slide the basket back into the appliance. Set the temperature and the timer to a few extra minutes. Then press the start/pause button to run the machine again. NOTE: You can also pull out the basket to check and shake the ingredients during cooking process. When you slide back the basket, the machine will continue to work with the selected setting.

11. Empty the basket, putting the food into a bowl or onto a plate. To remove large or fragile ingredients, lift the ingredients out of the basket by a pair of tongs.
To remove ingredients (e.g. beef, chicken, meat, any ingredients with original oil and will have excess oil from ingredients collected on the bottom of the basket), please use tongs to pick ingredients one by one.
To remove ingredients (e.g. chips, vegetable or ingredients with no excess oil from the ingredients), please pull out the basket, and pour ingredients to tableware.
12. After the cooking is done, the appliance is instantly ready for preparing another batch of ingredients if needed.

FRYING TIPS

1. The optimal amount for crispy fries is 400 grams.
2. Add 3 minutes to the preparation time when the appliance is cold, or you can also let the appliance preheat approx. 4 minutes without any ingredients inside.
3. Some ingredients require shaking halfway through the preparation time. To shake or turn over the ingredients, pull the basket out of the appliance by the handle and shake it or turn over the ingredients by fork (or tongs). Then slide the basket back into the appliance.
4. You can also use the fryer to reheat ingredients. To reheat ingredients, set the temperature to 150°C for up to 10 minutes.
5. Products with crust of dry breadcrumbs will get crispier by spraying them with a little vegetable oil.
6. Place a baking tin or an oven dish in the appliance if you want to bake a cake or quiche or other fragile ingredients.
7. Do not prepare extremely greasy ingredients such as sausages in the appliance.

CAUTION:

1. Do not immerse the housing in water or rinse it under the tap.
2. Avoid any liquid entering the appliance to prevent from electric shock or short circuit.
3. Keep all ingredients in the basket to prevent any contact with heating elements.
4. Do not cover the air inlet and the outlet when the appliance is working. Leave at least 10cm free space around and above the appliance.
5. Filling the basket with oil may cause a fire hazard!
6. Do not touch the inside of the appliance when it is in operation.
7. Be careful of the hot steam and air when you remove the basket from the appliance.
8. During operation, hot steam is released through the air outlet. Keep your hands and face at a safe distance from the steam and the air outlet.
9. Immediately turn off and unplug the appliance if you see any dark smoke coming out of the appliance, which means the food is overcooked or the appliance broke down.

FRYING TABLE

This table shows the food product quantities and required temperature and frying times. If the instructions on the product pack should deviate from the values shown in this table, the instructions on the pack should be followed.

| Type | Minimum-Maximum food ingredients amount (g) | Time (minutes) | Temperature (°C) | Overturning | Additional information |
|-------|---|----------------|------------------|-------------|------------------------|
| Chips | 200-650 | 20-25 | 200 | Overturning | |
| rib | 100-450 | 20-25 | 180 | Overturning | |

| | | | | | |
|------------|--------------------|-------|-----|-------------|-------------------------|
| Shrimp | 100-450 | 10-15 | 180 | Overturning | |
| Cake | 100-450 | 8-15 | 200 | Overturning | Adding 1/2 spoon of oil |
| Drumstick | 100-600 1-6pcs | 18-25 | 180 | Overturning | Adding 1/2 spoon of oil |
| Beef steak | 100-450 1-5 pcs | 18-21 | 180 | Overturning | Adding 1/2 spoon of oil |
| Fish | 100-450 | 10-15 | 180 | Overturning | |

CLEANING AND MAINTENANCE

1. Before handling or cleaning the appliance, let it cool down for approximately 30 minutes. Clean the appliance on all the inside and outside regularly.
2. Clean the outside and inside of the appliance with a damp cloth and dry with a soft clean cloth.
3. Never use abrasive cleaners or sponges.
4. Remove the basket to let the appliance cool down more quickly. Clean the basket and frying grill in hot water with a washing liquid and a non-abrasive sponge. Dry well before use.

Note: The basket and frying grill are dishwasher safe.

TROUBLE SHOOTING

| Problem | Possible cause | Solution |
|--|--|---|
| The appliance does not work. | The appliance is not plugged in. | Put the mains plug in an earthed wall socket. |
| | You have not pressed the on/off button to turn on the machine. | Press the on/off button to turn on the appliance. |
| The ingredients are not fried completely. | The amount of the food in the basket is too high. | Put smaller batches of ingredients in the basket. Smaller batches are fried more evenly. |
| | The temperature is too low or the time is not enough. | Increase the temperature or cook more time. |
| The ingredients are fried unevenly. | Different types of food may need to be shaken halfway during cooking. | Shake food halfway during the cooking time. |
| Fried snacks are not crispy | You used a type of snacks which shall be cooked in a traditional deep fryer. | Use oven snackes or lightly brush some oil onto the snacks for a crispier result. |
| White smoke comes out from the appliance. | You are preparing greasy ingredients. | When you fry greasy ingredients, oil will leak into the basket. The oil preoduces white smoke and the pan may heat up. This does not affect the cooking result or hurt the appliance. |
| | The basket still contains grease residue from previous use. | Clean the basket properly after each use. |
| Fresh fries are fried unevenly. | You haven't used the right potato type. | Use fresh potatoes. |
| | You haven't rinsed the potato sticks properly before frying. | Rinse the potato sticks properly to remove starch from the outside of the sticks. |
| Fresh fries are not crispy. | The crispness of the fries depends on the amount of oil and water in the fries | Make sure the potato sticks have been dried properly before adding the oil. |
| | | Cut the potato sticks smaller for a crispier result |
| | | Add slightly more oil for a crispier result. |

TECHNICAL DATA

Operating voltage: 220-240V ~ 50-60Hz

Power: 1450W

GUARANTEE AND CUSTOMER SERVICE

Before delivery our devices are subjected to rigorous quality control. If, despite all care, damage has occurred during production or transportation, please return the device to your dealer. In addition to statutory legal rights, the purchaser has an option to claim under the terms of the following guarantee:

For the purchased device we provide 2 years guarantee, commencing from the day of sale. If you have a defective product, you can directly go back to the point of purchase.

Defects which arise due to improper handling of the device and malfunctions due to interventions and repairs by third parties or the fitting of non-original parts are not covered by this guarantee. Always keep your receipt, without the receipt you can't claim any form of warranty. Damage caused by not following the instruction manual, will lead to a void of warranty, if this results in consequential damages then we will not be liable. Neither can we hold responsible for material damage or personal injury caused by improper use if the instruction manual is not properly executed. Damage to accessories does not mean free replacement of the whole appliance. In such case please contact our service department. Broken glass or breakage of plastic parts is always subject to a charge. Defects to consumables or parts subjected to wearing, as well as cleaning, maintenance or the replacement of said parts are not covered by the warranty and are to be paid.

ENVIRONMENT FRIENDLY DISPOSAL



Recycling – European Directive 2012/19/EU

This marking indicates that this product should not be disposed with other household wastes. To prevent possible harm to the environment or human health from uncontrolled waste disposal, recycle it responsibly to promote the sustainable reuse of material resources. To return your used

device, please use the return and collection systems or contact the retailer where the product was purchased. They can take this product for environmental safe recycling.

SICHERHEITSHINWEISE

Lesen Sie vor dem Gebrauch unbedingt die nachfolgenden Anleitungen, um Verletzungen oder Beschädigungen zu vermeiden und das beste Ergebnis mit dem Gerät zu erzielen. Bewahren Sie diese Bedienungsanleitung an einem sicheren Ort auf. Wenn Sie dieses Gerät an eine andere Person weitergeben, stellen Sie sicher, dass Sie auch diese Bedienungsanleitung aushändigen.

Im Falle von Beschädigungen, die durch die Missachtung der Anleitungen in dieser Bedienungsanleitung verursacht wurden, wird die Garantie ungültig. Der Hersteller/Importeur haftet nicht für Schäden, die durch Missachtung der Bedienungsanleitung, fahrlässigen Gebrauch oder Benutzung, die nicht in Übereinstimmung mit den Anforderungen dieser Bedienungsanleitung erfolgt, verursacht wurden.

1. Dieses Gerät kann von Kindern ab 8 Jahren und Personen mit eingeschränkten körperlichen, sensorischen oder geistigen Fähigkeiten oder mangelnder Erfahrung und Kenntnis benutzt werden, wenn sie beaufsichtigt werden oder in die sichere Benutzung des Gerätes unterwiesen werden und die damit verbundenen Gefahren verstehen.
2. Kinder dürfen nicht mit dem Gerät spielen.
3. Die Reinigung und vom Benutzer auszuführende Wartungsarbeiten sollten nicht von Kindern durchgeführt werden; es sei denn, sie sind älter als 8 Jahre und werden beaufsichtigt.
4. Halten Sie das Gerät und sein Netzkabel außer Reichweite von Kindern unter 8 Jahren.
5. Wenn das Netzkabel beschädigt ist, muss es vom Hersteller, seinem Kundendienst oder einer ähnlich qualifizierten Person ausgewechselt werden, um Gefahren zu vermeiden.

6. Um Informationen zur Reinigung der Flächen zu erhalten, die mit Lebensmitteln oder Öl in Berührung kommen, lesen Sie bitte den Abschnitt „REINIGUNG UND INSTANDHALTUNG“ in der Bedienungsanleitung.
7. Dieses Gerät ist nicht für die Bedienung über einen externen Timer oder ein separates Fernbedienungssystem bestimmt.
8. Bevor Sie den Stecker mit der Netzsteckdose verbinden, prüfen Sie bitte, ob die Spannung und die Frequenz mit den Angaben auf dem Typenschild übereinstimmen.
9. Schließen Sie das Gerät nur an geerdete Steckdosen (Schukosteckdosen) an.
10. Ziehen Sie den Netzstecker aus der Steckdose, wenn das Gerät nicht benutzt und bevor es gereinigt wird.
11. Falls ein Verlängerungskabel verwendet wird, muss es für den Stromverbrauch des Gerätes geeignet sein, sonst kann es zum Überhitzen des Verlängerungskabels und/oder des Steckers kommen. Es besteht Verletzungsgefahr durch Stolpern über das Verlängerungskabel. Lassen Sie Vorsicht walten, um gefährliche Situationen zu vermeiden.
12. Achten Sie darauf, dass das Netzkabel nicht über scharfe Kanten hängt und halten Sie es von heißen Objekten und offenen Flammen fern.
13. Tauchen Sie das Gerät oder den Netzstecker nicht in Wasser oder andere Flüssigkeiten. Es besteht Lebensgefahr aufgrund von Stromschlag!
14. Um den Stecker aus der Steckdose zu entfernen, ziehen Sie am Stecker. Ziehen Sie nicht am Kabel.
15. Berühren Sie das Gerät nicht, wenn es ins Wasser gefallen ist. Ziehen Sie den Stecker aus der Steckdose, schalten Sie das Gerät aus und schicken Sie es an einen autorisierten Kundendienst zwecks Reparatur.

16. Den Netzstecker des Gerätes nicht mit einer nassen Hand aus der Steckdose ziehen oder mit der Steckdose verbinden.
17. Versuchen Sie unter keinen Umständen, das Gehäuse des Gerätes zu öffnen oder das Gerät selbst zu reparieren. Dies könnte einen Stromschlag verursachen.
18. Lassen Sie das Gerät während des Gebrauchs niemals unbeaufsichtigt.
19. Dieses Gerät ist nicht für den gewerblichen Gebrauch konzipiert.
20. Verwenden Sie das Gerät nur zu seinem bestimmungsgemäßen Zweck.
21. Wickeln Sie das Kabel nicht um das Gerät und knicken Sie es nicht.
22. Stellen Sie das Gerät auf eine stabile, ebene Fläche, von der es nicht herunterfallen kann.
23. Bitte schützen Sie das Produkt vor übermäßiger Verschmutzung und Feuchtigkeit.
24. Reinigen Sie das Produkt selbst mit einem leicht angefeuchteten Tuch.
25. Lassen Sie das Gerät nicht unbeaufsichtigt laufen. Wenn Sie den Arbeitsplatz verlassen, schalten Sie das Gerät immer aus oder ziehen Sie den Stecker aus der Steckdose (ziehen Sie direkt am Stecker, nicht am Kabel).
26. Das Gerät nicht an eine Wand oder ein anderes Gerät stellen. Lassen Sie mindestens 10 cm Platz an Rückseite, Seiten und über dem Gerät.
27. Beim Frittieren mit Heißluft entweicht heißer Dampf durch die Luftaustrittsöffnungen. Halten Sie Ihre Hände und Ihr Gesicht in einem sicheren Abstand zum Dampf und zu den Luftaustrittsöffnungen. Nehmen Sie sich auch vor heißem Dampf und heißer Luft in Acht, wenn Sie den Behälter aus dem Gerät entfernen.
28. Ziehen Sie sofort den Stecker des Gerätes aus der Steckdose, wenn Sie dunklen Rauch aus dem Gerät

kommen sehen. Warten Sie, bis kein Rauch mehr zu sehen ist, bevor Sie den Behälter aus dem Gerät nehmen.

29. Vergewissern Sie sich vor jedem Gebrauch des Gerätes, dass das Heizelement und die Umgebung sauber und frei von Speiseresten sind, um eine einwandfreie Funktion zu gewährleisten.

30.



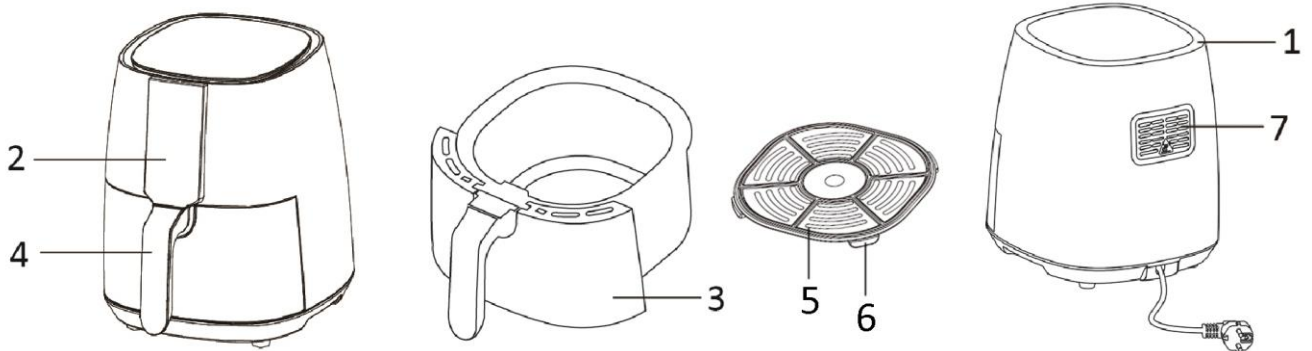
Vorsicht – heiße oberfläche

WARNUNG!! Bitte berühren Sie während des Gebrauchs nicht die Oberfläche. Die Temperatur der zugänglichen Oberflächen kann sehr hoch sein, wenn das Gerät in Betrieb ist.

31. Aus dem Lüftungsschlitz an der Rückseite des Gerätes kommt heiße Luft. Achten Sie darauf, ausreichend Abstand zu Material, das hitzeempfindlich ist, wie zum Beispiel Glas, einzuhalten.

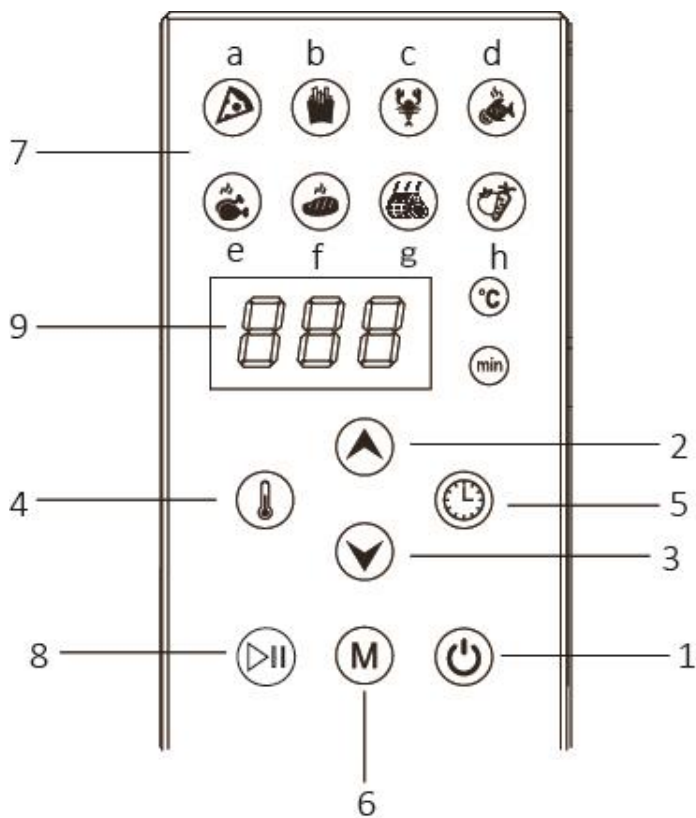
32. Wenn Sie Produkte mit Antihafbeschichtung benutzen, stellen Sie bitte sicher, dass sich keine Vögel im gleichen Zimmer befinden und dass das Zimmer komplett geschlossen und gut belüftet werden kann.

TEILEBESCHREIBUNG



1. Lufteinlass
2. Bedienfeld und Display
3. Einsatz
4. Frittierkorbgriff
5. Bratrost
6. Silikonvorsprung
7. Luftauslass

Bedienfeld und Display



1. Ein-/Aus-Taste
2. Einstell-Taste („+“)
3. Einstell-Taste („-“)
4. Temperatur (Einstell-Taste zum Anpassen der Temperatur von 80 °C bis 200 °C drücken.)

5. Timer (Einstell-Taste zum Einstellen der Zeit von 1 bis 60 Minuten drücken.)
6. Menü
7. Programme (untenstehend aufgeführt)
8. Start-/Pause-Taste
9. Timer- und Temperaturanzeige

Menü:

- a). Pizza b). Pommes frites c). Garnelen d). Fisch
- e). Hähnchenschenkel f). Steak g). Rippchen h). Gemüse

VOR DEM GEBRAUCH

Lesen Sie vor Gebrauch zuerst alle Anweisungen durch und bewahren Sie diese für späteres Nachschlagen auf. Schließen Sie dieses Gerät ausschließlich an eine geerdete Steckdose an. Entfernen Sie vor der Erstinutzung das Verpackungsmaterial. Frittierkorb und Bratrost reinigen. (siehe "REINIGUNG UND INSTANDHALTUNG"). Reinigen Sie das Gerät innen und außen mit einem weichen Tuch. Achten Sie hierbei darauf, dass die elektrischen Bauteile trocken bleiben. **Dieses Gerät erhitzt Lebensmittel vollständig und für die meisten Zutaten kann auf eine Hinzugabe von Öl verzichtet werden.**

Betreiben Sie das Gerät vor der erstmaligen Nutzung für ca. 10 Minuten, um evtl. Produktionsrückstände zu verbrennen. Achten Sie auf eine gute Belüftung. Nach dem ersten Einschalten kann das Gerät etwas Rauch und einen charakteristischen Geruch absondern. Das ist normal und vergeht nach relativ kurzer Zeit wieder.

Hinweis: Benutzen Sie den Bratrost immer so, dass die Silikonvorsprünge befestigt sind. Sie stabilisieren den Bratrost während des Garvorgangs im Frittierkorb.

GEBRAUCH

1. Stellen Sie das Gerät auf eine trockene, feste und hitzebeständige Fläche.
2. Das Gerät wird während des Gebrauchs heiß; stellen Sie es daher nicht in die unmittelbare Nähe anderer Objekte.
3. Ziehen Sie den Frittierkorb am Frittierkorbgriff aus dem Gerät. Stellen Sie den Bratrost in den Frittierkorb.
4. Speisen in den Frittierkorb geben. Frittierkorb in das Gerät schieben. Achten Sie darauf, dass der Korb korrekt eingesetzt und das Gerät komplett geschlossen ist. Andernfalls wird das Gerät nicht funktionieren. Vorsicht: Berühren Sie den Frittierkorb nicht während des Betriebs oder kurz nach dem Betrieb, da er sehr heiß wird. Fassen Sie den Frittierkorb nur am Griff an.
5. Schließen Sie den Netzstecker an eine geeignete Steckdose an. Das Gerät erzeugt einen Piepton und geht in den Stand-by-Modus. Drücken Sie die Ein-/Aus-Taste; das digitale Display und die Start-/Pause-Taste blinken nun.
6. Drücken Sie die Temperatur-Taste und dann die entsprechende Einstell-Taste, um die gewünschte Temperatur einzustellen (5 °C/Tastendruck). Drücken Sie die Timer-Taste und dann die entsprechende Einstell-Taste, um die gewünschte Zeit einzustellen (1 Minute/Tastendruck). Sie können die Einstell-Taste auch gedrückt halten, um die Einstellung zu beschleunigen.
7. Wenn Sie die Menü-Taste drücken, können Sie direkt ein Garprogramm im Menü auswählen. Falls Sie die Temperatur und Zeit etwas anpassen möchten, folgen Sie den Anleitungen unter Schritt 6. Das Symbol des ausgewählten Programms im Menü blinkt.
8. Drücken Sie einmal die Start-/Pause-Taste; das Gerät startet nun den Garvorgang. Das digitale Display zeigt die eingestellte Temperatur und Zeit an. Um den Vorgang zu unterbrechen, können Sie die Start-/Pause-Taste erneut drücken. Im Pause-Modus blinken das digitale Display und die Start-/Pause-Taste. Wenn während des Pause-Modus für 1 Minute lang keine Taste betätigt wird, schaltet das Gerät automatisch mit 5 Pieptönen in den Stand-by-Modus.

9. Wenn der Garvorgang abgeschlossen ist, blinkt auf dem Display „00 min“ und das Gebläse hört nach einigen Sekunden auf zu laufen. Sie können das Gerät auch manuell durch Drücken der Ein-/Aus-Taste ausschalten. Das Gerät signalisiert mit 5 Pieptönen, dass es in den Stand-by-Modus schaltet.
10. Ziehen Sie den Frittierkorb an seinem Griff aus dem Gerät. Prüfen Sie, ob die Zutaten fertig gegart sind. Falls nicht, schieben Sie den Frittierkorb einfach wieder in das Gerät. Stellen Sie Temperatur und den Timer ein, um die Zutaten noch einige Minuten länger zu garen. Drücken Sie dann die Start-/Pause-Taste, um das Gerät erneut zu starten. HINWEIS: Sie können auch während des Garvorgangs den Frittierinsatz herausziehen, um die Zutaten zu prüfen und zu schütteln. Wenn Sie den Frittierinsatz wieder zurückschieben, setzt das Gerät den Betrieb mit den gewählten Einstellungen fort.
11. Leeren Sie den Einsatz und legen Sie die Speisen in eine Schüssel oder auf einen Teller. Nehmen Sie große oder zerbrechliche Zutaten mithilfe einer Zange aus dem Einsatz.
Nehmen Sie solche Speisen wie z. B. Rindfleisch, Huhn, andere Fleischsorten oder fetthaltige Speisen (das überschüssige Fett der Speisen sammelt sich auf dem Boden des Frittierkorbs) bitte einzeln mit einer Zange heraus.
Ziehen Sie zum Herausnehmen von solchen Speisen wie z.B. Pommes frites, Gemüse oder nicht fetthaltige Zutaten den Frittierkorb heraus und geben Sie die Speisen auf das Geschirr.
12. Nach beendetem Garen ist das Gerät sofort für die Zubereitung einer weiteren Zutatenportion bereit.

FRITTIERTIPPS

1. Die optimale Menge für knusprige Pommes frites ist 400 Gramm.
2. Verlängern Sie die Garzeit um 3 Minuten, wenn das Gerät kalt ist. Sie können das Gerät auch in leerem Zustand ca. 4 Minuten vorheizen.
3. Manche Speisen müssen nach der Hälfte der Garzeit geschüttelt werden. Um die Speisen zu schütteln oder umzudrehen, ziehen Sie den Frittierkorb am Griff aus dem Gerät und schütteln Sie ihn oder drehen Sie die Speisen mit einer Gabel (oder Zange) um. Schieben Sie dann den Frittierkorb zurück ins Gerät.
4. Sie können die Fritteuse auch für das Wiedererwärmen von Zutaten verwenden. Stellen Sie die Temperatur zum Aufwärmen von Speisen für 10 Minuten auf 150 °C ein.
5. Panierte Speisen werden knuspriger, wenn sie mit etwas Pflanzenöl eingesprüht werden.
6. Stellen Sie eine Backform oder eine Auflaufform in das Gerät, wenn Sie einen Kuchen, eine Quiche oder andere mürbe Speisen backen möchten.
7. Bereiten Sie keine extrem fettigen Speisen, wie zum Beispiel Würstchen, in dem Gerät zu.

VORSICHT:

1. Tauchen Sie das Gehäuse nicht ins Wasser und spülen Sie es nicht unter dem Wasserhahn ab.
2. Vermeiden Sie das Eindringen von Flüssigkeiten in das Gerät, um einen Stromschlag oder Kurzschluss zu verhindern.
3. Geben Sie die Zutaten ausschließlich in den Einsatz und vermeiden Sie so, dass die Zutaten in Kontakt mit den Heizelementen kommen.
4. Der Luftein- und -auslass darf während der Betriebszeit des Geräts nicht abgedeckt werden. Lassen Sie mindestens 10 cm Platz rund um und über dem Gerät.
5. Es besteht die Gefahr eines Feuers, wenn der Frittierinsatz mit Öl gefüllt wird!
6. Berühren Sie nicht die Innenseite des Gerätes, wenn es läuft.
7. Vorsicht mit heißem Dampf und heißer Luft, wenn der Einsatz aus dem Gerät genommen wird.
8. Während des Betriebs strömt heißer Dampf aus dem Luftauslass. Halten Sie mit Händen und Gesicht einen sicheren Abstand zum Luftauslass und Dampf.
9. Schalten Sie das Gerät sofort aus und ziehen Sie den Gerätestecker aus der Steckdose, wenn Sie dunklen Rauch aus dem Gerät quellen sehen. Das bedeutet, dass die Speisen verbrannt sind oder dass Fehlfunktionen auftreten.

FRITTIER-TABELLE

In dieser Tabelle sind die Lebensmittelmengen, die erforderlichen Temperaturen und Frittierzeiten angegeben. Falls die Anweisungen auf der jeweiligen Produktverpackung von den Tabellenwerten abweichen sollten, sind die Anweisungen auf der Verpackung zu befolgen.

| Art | Mindest- bis Höchstmenge (g) der Zutaten | Garzeit (Minuten) | Temperatur (°C) | Umdrehen | Zusätzliche Informationen |
|------------------|--|-------------------|-----------------|----------|---------------------------|
| Pommes frites | 200-650 | 20-25 | 200 | Umdrehen | |
| Rippchen | 100-450 | 20-25 | 180 | Umdrehen | |
| Garnelen | 100-450 | 10-15 | 180 | Umdrehen | |
| Kuchen | 100-450 | 8-15 | 200 | Umdrehen | 1/2 Löffel Öl dazugeben |
| Hähnchenschenkel | 100-600 1-6 Stk. | 18-25 | 180 | Umdrehen | 1/2 Löffel Öl dazugeben |
| Beefsteak | 100-450 1-5 Stk. | 18-21 | 180 | Umdrehen | 1/2 Löffel Öl dazugeben |
| Fisch | 100-450 | 10-15 | 180 | Umdrehen | |

REINIGUNG UND INSTANDHALTUNG

1. Lassen Sie das Gerät für ca. 30 Minuten abkühlen, bevor Sie es anfassen oder säubern. Reinigen Sie das Gerät regelmäßig von innen und außen.
2. Säubern Sie die Außen- und Innenseite des Geräts mit einem feuchten Tuch und reiben Sie es mit einem weichen, sauberen Tuch trocken.
3. Keinesfalls scheuernde Reiniger oder Schwämme verwenden.
4. Nehmen Sie den Frittierkorb heraus, damit sich das Gerät schneller abkühlen kann. Waschen Sie den Frittierkorb und Bratrost in heißem Wasser mit Geschirrspülmittel und einem nicht scheuernden Schwamm ab. Vor dem Gebrauch gründlich abtrocknen.
5. Entfernen Sie etwaige Speisereste vom Heizelement im Gehäuse (wird nach der Entnahme des Frittierkorbs sichtbar) mit einer Reinigungsbürste.

Hinweis: Frittierkorb und Bratrost sind spülmaschinenfest.

FEHLERBEHEBUNG

| Problem | Mögliche Ursache | Lösung |
|---|--|--|
| Das Gerät funktioniert nicht. | Das Gerät ist nicht am Strom angeschlossen. | Den Netzstecker an eine geerdete Wand-Steckdose anschließen. |
| | Sie haben die Ein/Aus-Taste nicht gedrückt, um das Gerät einzuschalten. | Drücken Sie die Ein/Aus-Taste, um das Gerät einzuschalten. |
| Die Zutaten sind nicht durchgegart. | Die Menge der Lebensmittel im Frittierereinsatz ist zu groß. | Fügen Sie kleinere Mengen an Zutaten in den Einsatz. Kleinere Mengen werden gleichmäßiger frittiert. |
| | Die Temperatur ist zu niedrig oder die Zeit zu kurz eingestellt. | Temperatur erhöhen oder Garvorgang verlängern. |
| Die Zutaten sind ungleichmäßig frittiert. | Verschiedene Lebensmittelarten müssen in der Hälfte der Zubereitungszeit geschüttelt werden. | Schütteln Sie die Lebensmittel während der Hälfte der Zubereitungszeit. |
| Die gebratenen Snacks sind nicht knusprig. | Sie haben eine Art Snacks benutzt, die in einer traditionellen Fritteuse | Verwenden Sie Ofen-Snacks oder streichen Sie ein bisschen Öl auf die |

| | | |
|---|---|--|
| | frittiert werden sollten. | Snacks für ein knusprigeres Resultat. |
| Aus dem Gerät steigt weißer Rauch. | Sie bereiten fettige Zutaten zu. | Beim Frittieren von fettigen Lebensmitteln, tropft Fett in den Frittierkorb. Das Fett erzeugt weißen Rauch und der Behälter kann sich erhitzen. Das Garergebnis wird dadurch nicht beeinträchtigt und das Gerät bleibt unversehrt. |
| | Der Korb enthält noch Fettreste vom vorherigen Gebrauch. | Den Korb nach jedem Gebrauch reinigen. |
| Frische Pommes Fritten sind ungleichmäßig frittiert. | Sie haben nicht die richtige Kartoffelsorte verwendet. | Frische Kartoffeln verwenden. |
| | Sie haben die Kartoffelstäbchen vor dem Frittieren nicht gründlich abgespült. | Spülen Sie die Kartoffelstäbchen richtig ab, um Stärke von der Außenseite der Stäbchen zu entfernen. |
| Frische Pommes sind nicht knusprig. | Die Knusprigkeit der Pommes hängt vom Gehalt an Öl und Wasser in den Pommes ab. | Achten Sie darauf, dass die Kartoffelstäbchen richtig abgetrocknet wurden, bevor Sie Öl hinzufügen. |
| | | Schneiden Sie die Kartoffelstückchen kleiner für ein knusprigeres Resultat. |
| | | Fügen Sie für ein knusprigeres Resultat etwas mehr Öl hinzu. |

TECHNISCHE DATEN

Betriebsspannung: 220-240V ~ 50-60Hz

Leistung: 1450W

GARANTIE UND KUNDENSERVICE

Vor der Lieferung werden unsere Geräte einer strengen Qualitätskontrolle unterzogen. Wenn, trotz aller Sorgfalt, während der Produktion oder dem Transport Beschädigungen aufgetreten sind, senden Sie das Gerät zurück an den Händler. Zusätzlich zu den gesetzlichen Rechten hat der Käufer die Option, gemäß den folgenden Bedingungen Garantie zu fordern:

Wir bieten eine 2-jahres-Garantie für das erworbene Gerät, beginnend am Tag des Verkaufs. Defekte, die aufgrund von unangemessenem Umgang mit dem Gerät entstehen und Störungen aufgrund von Eingriffen und Reparaturen Dritter oder das Montieren von nicht-Originalteilen werden nicht von dieser Garantie abgedeckt. Die Quittung immer aufbewahren, ohne Quittung wird jegliche Garantie ausgeschlossen. Bei Schäden durch Nichteinhalten der Bedienungsanleitung erlischt die Garantie, Wir sind für daraus resultierende Folgeschäden nicht haftbar. Für Materialschäden oder Verletzungen aufgrund falscher Anwendung oder Nichtbefolgen der Sicherheitshinweise sind wir nicht haftbar. Schäden an den Zubehörteilen bedeutet nicht, dass das gesamte Gerät kostenlos ausgetauscht wird. In diesem Fall kontaktieren Sie unseren Kundendienst. Zerbrochenes Glas oder Kunststoffteile sind immer kostenpflichtig. Schäden an Verbrauchsmaterialien oder Verschleißteilen, sowie Reinigung, Wartung oder Austausch der besagten Teile werden durch die Garantie nicht abgedeckt und sind deshalb kostenpflichtig.

UMWELTGERECHTE ENTSORGUNG



Wiederverwertung – Europäischen Richtlinie 2012/19/EG

Dieses Symbol zeigt an, dass das Produkt nicht zusammen mit Haushaltsabfällen entsorgt werden darf. Um Umwelt- und Gesundheitsschäden durch unkontrollierte Abfallentsorgung zu verhindern,

■ bitte verantwortungsbewusst entsorgen, um die nachhaltige Wiederverwertung von Ressourcen zu fördern. Nutzen Sie zur Rückgabe Ihres Altgeräts bitte die Rückgabe- und Sammelsysteme oder wenden Sie sich an den Händler bei dem Sie dieses Gerät erworben haben. Dieser kann das Gerät umweltschonend entsorgen.

SÄKERHETSANVISNINGAR

Före användning och för att att erhålla bästa resultat från apparaten, var noga med att läsa igenom alla instruktioner nedan för att undvika skada på person eller egendom. Se till att förvara denna bruksanvisning på en säker plats. Om du ger bort eller överlåter denna apparat till någon, se till att även inkludera denna bruksanvisning.

Vid skador som orsakats av att användaren inte följer instruktionerna i denna bruksanvisning ogiltighetsförklaras garantin. Tillverkaren/importören tar inget ansvar för skador som orsakats av underlåtenhet att följa bruksanvisningen, vid en vårdslös användning eller användning som inte är i enlighet med kraven i denna bruksanvisning.

1. Denna apparat kan användas av barn från 8 år och uppåt, samt av personer med nedsatt fysisk, sensorisk eller mental förmåga eller av personer som saknar erfarenhet och kunskap under förutsättning att de övervakas eller mottagit instruktioner för säker användning av apparaten och förstår riskerna.
2. Barn får inte leka med apparaten.
3. Rengöring och underhåll får inte utföras av barn såvida de inte är äldre än 8 år och övervakas.
4. Håll apparaten och dess strömkabel utom räckhåll för barn under 8 år.
5. Om strömkabeln är skadad måste den bytas ut av tillverkaren, dess servicerepresentant eller liknande kvalificerad person för att undvika fara.
6. Se avsnittet " RENGÖRING OCH UNDERHÅLL " i bruksanvisningen för instruktioner om hur man rengör ytor som kommit i kontakt med mat eller olja.
7. Denna apparat är inte avsedd för användning med en extern timer eller ett separat fjärrstyrningssystem.

8. Innan du ansluter strömkontakten till eluttaget, kontrollera att spänningen och frekvensen överensstämmer med specifikationerna på märkplåten.
9. Plugga alltid in apparaten i en jordad kontakt.
10. Dra ut strömkontakten från eluttaget när apparaten inte används och före rengöring.
11. Om en förlängningskabel används måste den vara lämplig för apparatens strömförbrukning, annars kan överhettning av förlängningsskabeln och/eller strömkontakten inträffa. Det finns en eventuell risk för personskador om man snubblar över förlängningskabeln. Var noga med att undvika att skapa farliga situationer.
12. Säkerställ att strömkabeln inte hänger över någon skarp kant och håll den borta från varma föremål och öppen eld.
13. Sänk inte ner apparaten eller strömkontakten i vatten eller någon annan vätska. Det är livsfarligt på grund av elektriska stötar!
14. För att dra ut strömkontakten från eluttaget, dra ut den via strömkontakten. Dra inte i strömkabeln.
15. Vidrör inte apparaten om den faller ner i vatten. Dra ut strömkontakten från eluttaget, stäng av apparaten och lämna in den på ett auktoriserat servicecenter för reparation.
16. Du får inte koppla in eller dra ut apparaten från eluttaget med blöta händer.
17. Försök aldrig att öppna apparatens hölje eller reparera den själv. Det kan orsaka elektriska stötar.
18. Lämna aldrig apparaten obevakad vid användning.
19. Denna apparat är inte utvecklad för kommersiell användning.
20. Använd inte apparaten för något annat ändamål än den är avsedd för.
21. Linda inte kabeln runt apparaten och undvik att böja den.
22. Placera apparaten på en stabil, jämn yta som den inte kan falla ner från.
23. Se till att produkten inte utsätts för mycket smuts och fukt.

24. Rengör själva produkten med en något fuktad trasa.
25. Använd inte maskinen utan tillsyn. Om du lämnar arbetsområdet, stäng alltid av maskinen eller dra ut strömkontakten från eluttaget (dra i själva kontakten, inte i kabeln).
26. Placera inte apparaten mot en vägg eller en annan apparat. Lämna ett fritt avstånd på minst 10 cm på baksidan, sidorna och ovanför apparaten.
27. Vid varmluftsfritering släpps het ånga ut genom luftutsläppen. Håll händer och ansikte på ett säkert avstånd från ångan och luftutsläppen. Var även uppmärksam på den heta ångan och luften när pannan tas ut ur apparaten.
28. Dra omedelbart ut apparatens strömkontakt ur eluttaget om det kommer mörk rök från apparaten. Vänta tills röken avtagit helt innan pannan tas ut ur apparaten.
29. Kontrollera alltid innan apparaten används att värmeelementet och omgivningen är ren och fri från matrester för att säkerställa en perfekt funktion.

30.



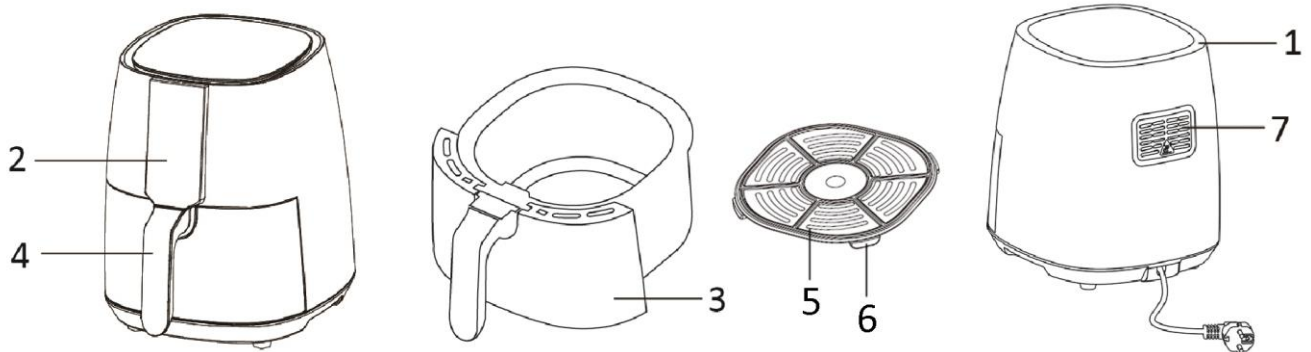
Varning, het yta.

WARNING!! Vidrör inte ytan vid användning.

Temperaturen för åtkomliga ytor kan vara mycket hög när apparaten används.

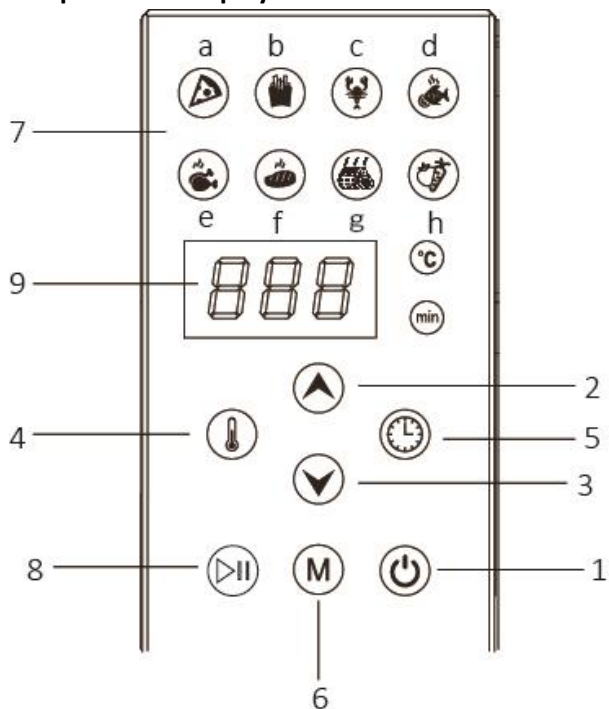
31. Varm luft strömmar ut ur luftventilen på baksidan av apparaten. Var noga med att hålla ett tillräckligt avstånd till material, t.ex. glas, som är känsligt för värme.
32. Om du använder produkter med teflonyta, se till att inga fåglar är i samma rum och att rummet kan stängas igen helt och är väl ventilerat.

BESKRIVNING AV DELAR



1. Luftintag
2. Kontrollpanel och display
3. Korg
4. Korghandtag
5. Stekgaller
6. Silikonfodral
7. Luftutsläpp

Kontrollpanel och display



1. Strömbrytare
2. Inställningsknapp ("+")
3. Inställningsknapp ("-")
4. Temperaturkontroll (tryck på inställningsknappen för att ställa in temperaturen från 80 °C till 200 °C)
5. Timer-kontroll (tryck på inställningsknappen för att ställa in tiden från 1 till 60 minuter)
6. Menyval
7. Meny (listad nedan)
8. Start/pausknapp

9. Timer- och temperaturdisplay

Meny:

- a). pizza, b). pommesfrites, c). räkor, d). fisk,
- e). kycklingklubbor, f). stek, g). revben, h). grönsaker

FÖRE ANVÄNDNING

Läs först igenom alla instruktioner före användning och spara bruksanvisningen för framtida bruk. Anslut endast apparaten till ett jordat eluttag. Ta bort allt förpackningsmaterial före första användning. Rengör korgen och stekgallret. (Se "RENGÖRING OCH UNDERHÅLL"). Torka av apparatens in- och utsida med en mjuk trasa. Se till att de elektriska delarna alltid är torra. **Denna apparat värmer upp maten från alla håll och de flesta ingredienserna behöver ingen olja.**

Innan du använder apparaten första gången kör du den i ungefär 10 min för att bränna av tillverkningsrester. Se till att det är bra ventilation. Apparaten kan avge en del rök och en karakteristisk lukt när du slår på den första gången. Detta är normalt och slutar snart.

Obs! Använd alltid stekgallret med silikonfodralen övertäckta. De hjälper till att stabilisera stekgallret under tillagning.

ANVÄNDNING

1. Placera apparaten på en torr, stabil och värmebeständig yta.
2. Eftersom apparaten blir het vid användning, säkerställ att den inte står för nära några andra föremål.
3. Dra ut korgen ur apparaten via korghandtaget. Placera stekgallret i korgen.
4. Placera ingredienserna i korgen. Skjut in korgen i apparaten. Se till att den är korrekt placerad och helt stängd. Annars kommer inte apparaten att fungera. Försiktighet: Vidrör inte korgen under användning eller en stund efter användning eftersom den blir mycket het. Håll endast korgen i handtagen.
5. Anslut strömkontakten till ett lämpligt eluttag. Maskinen avger ett pip ljud och går in i standby-läge. Tryck på strömbrytaren, den digitala displayen och start/paus-knappen blinkar.
6. Tryck på temperaturkontrollknappen och sedan på inställningsknappen för att ställa in önskad temperatur (5 °C/tryckning). Tryck på timerkontrollknappen och sedan på inställningsknappen för att ställa in önskad tid (1 minut / tryckning). Du kan också trycka länge på inställningsknappen för snabbinställning.
7. Du kan också trycka på menyvalknappen för att direkt välja tillagningsfunktioner i menyn. Om du vill justera tiden och temperaturen något, gör justeringar enligt steg 6. Den valda matikonen i menyn kommer att blinka.
8. Tryck på start/pausknappen; maskinen börjar arbeta. Den digitala displayen visar den inställda temperaturen och tiden. Du kan trycka på start/paus-knappen igen för att göra paus och under pausen kommer den digitala displayen och start/paus-knappen att blinka. Om ingen aktivitet sker under ungefär 1 minut under pausen kommer maskinen automatisk att gå in i standby med 5 pip ljud.
9. När hela tillagningsprocessen är klar blinkar "00 min" på displayen och sedan kommer blåsaren att sluta arbeta inom några sekunder. Du kan också manuellt stänga av maskinen genom att trycka på strömbrytaren. 5 pip ljud avges och maskinen går in i standby-läge.
10. Dra ut korgen från apparaten med hjälp av korghandtaget. Kontrollera om ingredienserna är klara. Skjut in korgen i apparaten igen om de inte är klara. Ställ in temperaturen och timern på ett par minuter till. Tryck sedan på knappen start/paus för att köra maskinen igen. NOTERA: Du kan också dra ut korgen och kontrollera och skaka ingredienserna under tillagningsprocessen. När du skjuter tillbaka korgen kommer maskinen att fortsätta att arbeta med den valda inställningen.
11. Töm korgen, för över maten till en skål eller på en tallrik. För att ta ut stora eller ömtåliga ingredienser, lyft ut dem ur korgen med två tänger.
För att ta bort ingredienser (t.ex. biff, kyckling, kött, ingredienser med överflödigt olja som samlas upp i korgens botten), använd tångerna för att plocka upp en ingrediens i taget.

För att ta bort ingredienser (t.ex. chips, grönsaker eller ingredienser utan överflödiga olja), dra ut korgen och håll ut ingredienserna i en skål/tallrik.

12. När tillagningen är klar är apparaten omedelbart redo för en ny omgång ingredienser om så önskas.

TILLAGNINGSTIPS

1. Optimal mängd för krispiga pommes frites är 400 gram.
2. Lägg till 3 minuter till förberedelse tiden när apparaten är kall eller så kan du förvärma apparaten i ungefär 4 minuter utan några ingredienser inuti.
3. Vissa ingredienser behöver skakas om efter halva tiden under beredningstiden. För att skaka eller vända ingredienserna, dra ut korgen ur apparaten med handtaget och skaka den eller vänd ingredienserna med en gaffel (eller tång). Skjut tillbaka korgen in i apparaten.
4. Du kan också använda fritösen för att värma ingredienser igen. För att värma ingredienser igen, ställ in temperaturen på 150 °C i upp till 10 minuter.
5. Produkter med en skorpa av torra brödsmlor kommer att bli krispigare med lite vegetabilisk olja.
6. Placera en bakform eller ett ugnsfat i apparaten om du vill baka en kaka eller quiche eller andra känsliga ingredienser.
7. Bered inte extremt feta ingredienser såsom korvar i apparaten.

VARNING:

1. Sänk inte ner kåpan i vatten och skölj den inte under kranen.
2. Undvik att vätska kommer in i apparaten, för att förebygga elektriska stötar eller kortslutning.
3. Se till att alla ingredienser ligger i korgen för att undvika kontakt med uppvärmningselementen.
4. Täck inte över luftintaget och luftutsläppet när apparaten är igång. Lämna ett fritt utrymme på minst 10 cm runt och ovanför apparaten.
5. Om korgen fylls med olja kan det resultera i brand!
6. Vidrör inte insidan på apparaten när den är i drift.
7. Var försiktig med den heta ångan och luften när du tar ut korgen ur apparaten.
8. Under användning släpps het ånga ut genom luftutsläppet. Håll händer och ansikte på säkert avstånd från ångan och luftutsläppet.
9. Stäng omedelbart av apparaten och dra ut strömkabeln ur eluttaget om mörk rök tränger ut från apparaten. Detta beror på att maten har friterats för länge eller att apparaten gått sönder.

TILLAGNINGSTABELL

Denna tabell visar produktkvantiteterna och nödvändig temperatur och friteringstider. Om instruktionerna på produktförpackningen avviker från värdena som visas i denna tabell ska instruktionerna på förpackningen följas.

| Typ | Min.-Max. mängd livsmedel | Tid (minuter) | Temperatur (°C) | Vända | Ytterligare information |
|----------------|---------------------------|---------------|-----------------|-------|-------------------------|
| Pommes frites | 200-650 | 20-25 | 200 | Vända | |
| revben | 100-450 | 20-25 | 180 | Vända | |
| Räkor | 100-450 | 10-15 | 180 | Vända | |
| Kaka | 100-450 | 8-15 | 200 | Vända | Tillsätt ½ sked olja |
| Kycklingklubba | 100-600 1-6 st | 18-25 | 180 | Vända | Tillsätt ½ sked olja |
| Biffstek | 100-450 1-5 st | 18-21 | 180 | Vända | Tillsätt ½ sked olja |
| Fisk | 100-450 | 10-15 | 180 | Vända | |

RENGÖRING OCH UNDERHÅLL

1. Innan apparaten hanteras eller rengörs, låt den svalna i ungefär 30 minuter. Rengör apparatens alla insidor och utsidor regelbundet.
2. Rengör utsidan och insidan av apparaten med en fuktig trasa och torka med en mjuk, ren trasa.
3. Använd aldrig frätande rengöringsmedel och inte svampar som river.
4. Dra ut korgen för att apparaten ska svalna snabbare. Rengör korgen och stekgallret i varmt vatten med diskmedel och en mjuk svamp. Låt torka väl före användning.

Obs! Korgen och stekgallret kan köras i diskmaskin.

FELSÖKNING

| Problem | Möjlig orsak | Lösning |
|---|---|--|
| Apparaten fungerar inte. | Apparaten är inte inkopplad. | Sätt i kontakten i ett jordat uttag. |
| | Du har inte trycks på strömbrytaren för att slå på maskinen. | Tryck på strömbrytaren för att slå på apparaten. |
| Ingredienserna är inte tillräckligt tillagade. | Det är alltför mycket mat i korgen. | Lägg mindre mängd mat i korgen. Mindre mängder tillagas jämnare. |
| | Temperaturen är alltför låg eller tiden är inte tillräcklig. | Öka temperaturen eller tillaga längre. |
| Ingredienserna tillagas ojämnt. | Olika typer av mat kan behöva skakas halvvägs genom tillagningen. | Skaka maten efter halva tillagningstiden. |
| Friterade snacks är inte krispiga | Du använder en typ av snacks som skall tillagas i en traditionell fritös. | Använd ugnssnacks eller borsta lätt på lite olja på snacksen för ett krispigare resultat. |
| Vit rök kommer ut från apparaten. | Du bereder feta ingredienser. | När du friterar feta ingredienser kommer olja att läcka in i korgen. Oljan producerar vit rök och pannan kan hettas upp. Detta påverkar inte tillagningsresultatet eller skadar apparaten. |
| | Korgen innehåller fortfarande fettrester från tidigare användning. | Rengör korgen ordentligt efter varje användning. |
| Färska pommesfrites friteras ojämnt. | Du har inte använd korrekt potatistyp. | Använd färsk potatis. |
| | Du har inte sköljt potatisstavarna ordentligt innan friteringen. | Skölj potatisbitarna ordentligt för att ta bort stärkelsen från utsidan av stavarna. |
| Färska pommesfrites är inte krispiga. | Krispigheten hos pommesfrites beror på mängden olja och vatten i pommesfriten | Se till att potatisstavarna har torkat ordentligt innan oljan tillsätts. |
| | | Skär potatisstavarna i mindre bitar för ett krispigare resultat. |
| | | Tillsätt lite med olja för ett krispigare resultat. |

TEKNISKA DATA

Driftsspänning: 220-240V ~ 50-60Hz

Strömförbrukning: 1450W

GARANTI OCH KUNDTJÄNST

Innan leverans genomgår våra apparater en sträng kvalitetskontroll. Om det trots detta skulle uppstå någon skada på produktionen eller vid transporten, ber vi dig att ta med apparaten tillbaka till inköpsstället. Förutom de i lag fastställda garantianspråken har köparen möjlighet att göra gällande följande anspråk på garanti:

För den köpta apparaten ges 2 års garanti, med början på inköpsdagen.

Brister som uppstår genom felaktig hantering av apparaten och fel som uppstår genom ingrepp och reparationer av tredje man eller montering av främmande delar, omfattas ej av vår garanti. Behåll alltid ditt kvitto då det är din garanti vid eventuell reklamation. Skador som uppstår p.g.a. att instruktionsmanualen inte följs ogiltigförklarar garantin och om detta leder till påföljande skador så kan inte vi hållas ansvariga. Vi kan inte hållas ansvariga för materiella skador eller personskador som orsakas av felaktig användning eller om inte säkerhetsföreskrifterna följs. Skador på tillbehören innebär inte per automatik ersättning av hela apparaten. I sådana fall ska du kontakta vår kundservice. Trasigt glas och trasiga plastdelar innebär alltid en kostnad. Defekter på förbrukningsartiklar eller slitdelar och även skador orsakade av rengöring, underhåll eller byte av tidigare nämnda delar täcks inte av garantin och ska således betalas av ägaren.

MILJÖVÄNLIG KASSERING



Återvinning – EU-direktiv 2012/19/EU

Denna markering indikerar att produkten inte får kastas tillsammans med övrigt hushållsavfall. För att förhindra eventuell skada på miljön eller människors hälsa på grund av okontrollerad avfallshantering, återvinns de på ett ansvarsfullt sätt som främjar en hållbar återanvändning av materiella resurser. För att återlämna den använda enheten, använd retur- och insamlingsystem

eller kontakta återförsäljaren där produkten var köpt. De kan ta denna produkt för miljösäker återvinning.

VEILIGHEIDSVOORSCHRIFTEN

Voor gebruik dient u alle onderstaande instructies te lezen om letsel en schade te voorkomen en om de beste resultaten met het apparaat te bereiken. Bewaar deze handleiding op een veilige plek. Mocht u dit apparaat aan iemand anders overhandigen, dient u ook de gebruiksaanwijzing te overhandigen.

In geval van schade die wordt veroorzaakt doordat de gebruiker de instructies in deze gebruiksaanwijzing niet in acht heeft genomen, komt de garantie te vervallen. De fabrikant/importeur is niet aansprakelijk voor schade die wordt veroorzaakt door het niet in acht nemen van de gebruiksaanwijzing, door nalatig gebruik of gebruik dat niet in overeenstemming is met de bepalingen van deze gebruiksaanwijzing.

1. Dit apparaat mag worden gebruikt door kinderen vanaf 8 jaar en personen met beperkte fysieke, visuele of mentale vaardigheden, of die een gebrek aan ervaring en kennis hebben, indien ze gepaste instructies hebben gekregen zodat ze het apparaat op een veilige manier kunnen gebruiken, op de hoogte zijn van de gevaren die het gebruik van het apparaat met zich meebrengt en deze gevaren begrijpen.
2. Laat kinderen niet met het apparaat spelen.
3. Laat het reinigen en het onderhoud van het apparaat niet uitvoeren door kinderen tenzij ze ouder zijn dan 8 jaar en onder toezicht staan.
4. Houd het apparaat en snoer buiten het bereik van kinderen jonger dan 8 jaar.
5. Als het snoer is beschadigd, moet het worden vervangen door de fabrikant, zijn klantenservice of gelijksoortig geschoolde personen om gevaar te vermijden.
6. Met het oog op de instructies voor de reiniging van de oppervlakken die in contact kunnen komen met voedsel

of olie, dient u de instructies in de paragraaf " REINIGEN EN ONDERHOUD " van de gebruiksaanwijzing in acht te nemen.

7. Dit apparaat is niet bestemd voor gebruik door middel van een externe timer of een afzonderlijk op afstand bestuurd systeem.
8. Voordat u de stekker in het stopcontact steekt, dient u te controleren of de stroom en de frequentie overeen komen met de specificaties van het typeplaatje.
9. Sluit het apparaat alleen aan op een geaard stopcontact.
10. Trek de stekker uit het stopcontact als het apparaat niet in gebruik is en voordat u het apparaat reinigt.
11. Als u gebruik maakt van een verlengkabel, dient dit geschikt te zijn voor het stroomverbruik van het apparaat, anders kan oververhitting van de verlengkabel en/of stekker het gevolg zijn. Er is risico op letsel door het struikelen over het verlengsnoer. Wees voorzichtig om gevaarlijke situaties te vermijden.
12. Let op dat de stroomkabel niet over scherpe randen hangt en niet in de buurt komt van hete voorwerpen en open vuur.
13. Dompel het apparaat of de stekker niet onder in water of andere vloeistoffen. Er bestaat levensgevaar als gevolg van een elektrische schok!
14. Om de stekker uit het stopcontact te halen, dient u aan de stekker zelf te trekken. Trek niet aan de stroomkabel.
15. Raak het apparaat niet aan als het in water is gevallen. Trek de stekker uit het stopcontact, schakel het apparaat uit en breng het ter reparatie naar een geautoriseerd servicecenter.
16. Steek de stekker niet in het stopcontact en haal hem er niet uit als u natte handen heeft.
17. Probeer nooit de behuizing van het apparaat te openen en probeer nooit zelf het apparaat te repareren. Dit kan een elektrische schok veroorzaken.

18. Laat het apparaat nooit onbeheerd achter wanneer het in gebruik is.
19. Dit apparaat werd niet ontworpen voor commercieel gebruik.
20. Gebruik het apparaat niet voor andere doeleinden dan het beoogde doel.
21. Draai de kabel niet om het apparaat en buig hem niet.
22. Plaats het apparaat op een stabiele, vlakke ondergrond waar het niet vanaf kan vallen.
23. Voorkom dat het product wordt blootgesteld aan excessieve verontreiniging en vocht.
24. Reinig het product zelf met een licht bevochtigde doek.
25. Gebruik de machine niet zonder toezicht. Als u de werkplek verlaat, dient u de machine altijd uit te schakelen of de stekker uit het stopcontact te trekken (trek aan de stekker zelf, niet aan de kabel).
26. Plaats het apparaat niet tegen een muur of tegen een ander apparaat. Laat minstens 10 cm ruimte aan de achterkant, de zijkanten en boven het apparaat vrij.
27. Tijdens het frituren met hete lucht komt er hete stoom uit de ventilatieopeningen. Houd uw handen en gezicht op een veilige afstand van de stoom en van de ventilatieopeningen. Let bovendien ook op hete stoom en lucht als u de pan uit het apparaat haalt.
28. Trek de stekker direct uit het stopcontact als u ziet dat donkere rook uit het apparaat ontsnapt. Wacht totdat de rook is opgelost en verwijder dan de pan uit het apparaat.
29. Zorg dat het verwarmingselement en de aangrenzende delen voor elk gebruik schoon en vrij van etensresten zijn om een perfecte werking te waarborgen.
- 30.



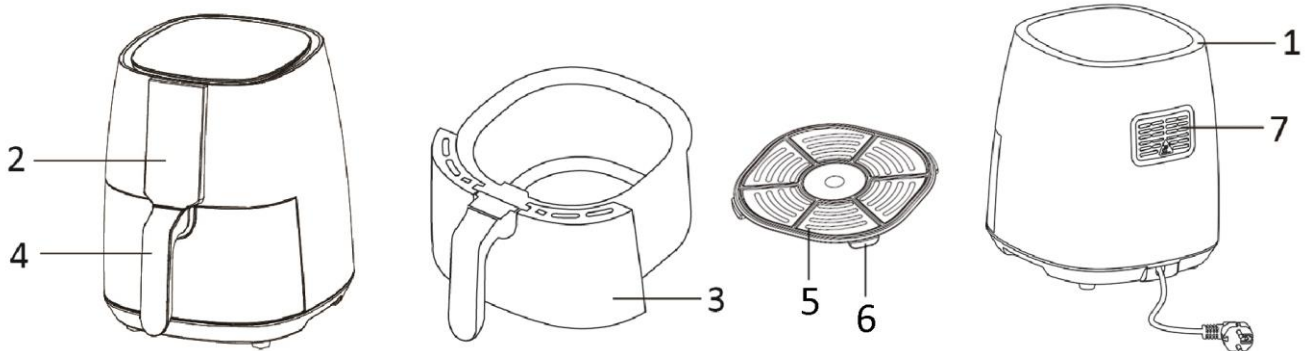
Opgelet, heet oppervlak.

WAARSCHUWING!! Raak het oppervlak a.u.b. niet aan tijdens gebruik. De temperatuur van toegankelijke

oppervlakken kan erg hoog worden wanneer het apparaat aan staat.

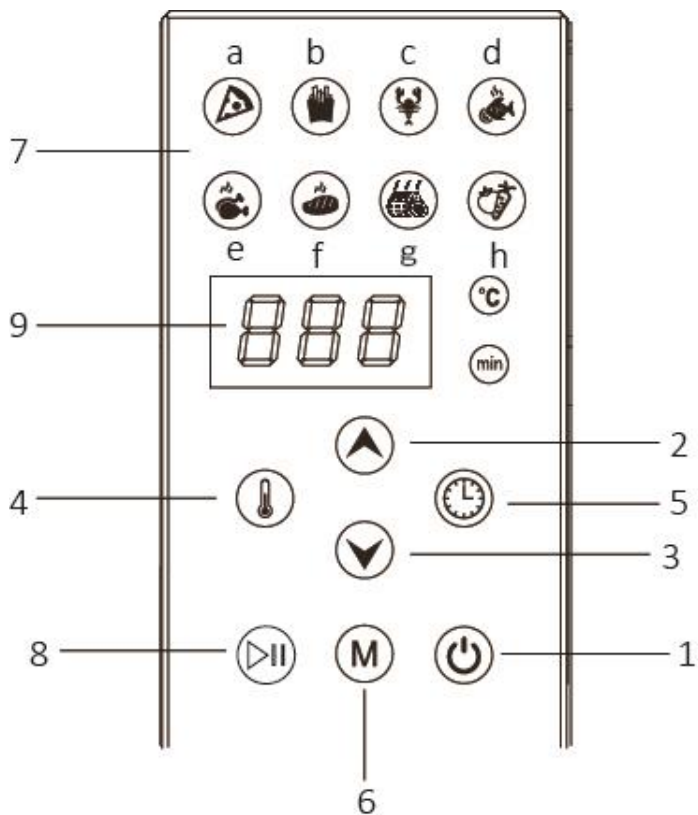
31. Hete lucht komt uit de ventilatie opening aan de achterkant van het apparaat. Zorg voor voldoende ruimte tot materialen die gevoelig zijn voor warmte, zoals glas.
32. Als u producten met een antiaanbaklaag gebruikt, dient u ervoor te zorgen dat zich geen vogels in dezelfde ruimte bevinden en dat de ruimte compleet kan worden gesloten en goed geventileerd wordt.

OMSCHRIJVING ONDERDELEN



1. Luchtinlaat
2. Bedieningspaneel en scherm
3. Mandje
4. Handgreep van mand
5. Bakrooster
6. Silicone klemmen
7. Luchtuitlaat

Bedieningspaneel en scherm



1. Aan/uit-knop
2. Regelknop ("+")
3. Regelknop ("-")
4. Temperatuurregeling (Druk op de regelknop om de temperatuur in te stellen tussen 80°C en 200°C)

5. Tijdregeling (Druk op de regelknop om de tijd in te stellen tussen 1 en 60 minuten)
6. Menukeuze
7. Menu (hieronder weergegeven)
8. Start/pauze knop
9. Weergave van timer en temperatuur

Menu:

- a). pizza, b). friet, c). garnalen, d). vis,
- e). kippenboutjes, f). steak, g). ribbetjes, h). groente

VOOR GEBRUIK

Lees alle aanwijzingen voordat u het apparaat gaat gebruiken en bewaar deze om later nog eens na te kunnen kijken. Steek de stekker alleen in een geaard stopcontact. Voor het eerste gebruik dient u de verpakkingsmaterialen te verwijderen. Reinig de mand en het bakrooster. (Zie "Reinigen en onderhoud") Veeg de binnen- en buitenkant van het apparaat schoon met een zachte doek. Zorg dat de elektrische onderdelen droog blijven. **Dit apparaat verhit voedsel rondom en de meeste ingrediënten hebben geen olie nodig.**

Zet het apparaat de eerste keer ongeveer 10 minuten aan om de achtergebleven restanten van de productie weg te branden. Zorg voor goede ventilatie. Het apparaat kan wat rook en een karakteristieke geur afscheiden als u het voor de eerste keer aanzet. Dit is normaal en zal snel ophouden.

Opmerking: Gebruik het bakrooster altijd met de silicone klemmen bevestigd. Dit zorgt voor een stabiele positie van het bakrooster in de mand tijdens het bakproces.

GEBRUIK

1. Plaats het apparaat op een droog, stabiel en hittebestendig oppervlak.
2. Omdat het apparaat heet wordt tijdens het gebruik, dient u ervoor te zorgen dat het niet te dicht bij andere objecten staat.
3. Trek de mand uit het apparaat met behulp van de handgreep. Plaats het bakrooster in de mand.
4. Doe de ingrediënten in de mand. Schuif de mand in het apparaat. Zorg dat de mand juist wordt aangebracht en het apparaat volledig dicht is. Het apparaat zal anders niet starten. Opgelet: Raak de mand tijdens en kort na gebruik niet aan, ze wordt zeer warm. Houd de pan alleen bij de handgreep vast.
5. Steek de stekker in een geschikt stopcontact. U hoort een geluidssignaal en het apparaat staat in stand-by. Druk op de aan/uit-knop, het digitaal scherm en de start/pauze-knop knipperen.
6. Druk op de temperatuurregelknop en vervolgens op de regelknop om uw gewenste temperatuur in te stellen (5 °C / druk). Druk op de tijdregelknop en vervolgens op de regelknop om de gewenste tijd in te stellen (1 minuut / druk). U kunt tevens lang op de regelknop drukken om de waarde snel in te stellen.
7. U kunt tevens op de menukeuzeknop drukken om direct de kookfuncties in het menu te kiezen. Als u de tijd en temperatuur lichtjes wilt aanpassen, voer de aanpassing uit zoals vermeld in stap 6. Het gekozen voedselpictogram knippert.
8. Druk eenmaal op de start/pauze-knop en het apparaat treedt in werking. Het digitaal scherm geeft de ingestelde temperatuur en tijd weer. U kunt opnieuw op de start/pauze-knop drukken om het kookproces te pauzeren. Het digitaal scherm en de start-stop-knop knipperen wanneer het apparaat in pauze staat. Bij een inactiviteit van ongeveer 1 minuut in pauze, gaat het apparaat automatisch in stand-by en hoort u 5 geluidssignalen.
9. Aan het einde van het kookproces knippert "00 min" op het scherm en stopt de blazer na enkele seconden met werken. U kunt het apparaat tevens handmatig uitschakelen door op de aan/uit-knop te drukken. U hoort 5 geluidssignalen wanneer het apparaat in stand-by staat.
10. Trek de mand uit het apparaat met behulp van de handgreep. Controleer of de levensmiddelen gaar zijn. Als dit niet het geval is, schuif de mand opnieuw in het apparaat. Stel de temperatuur en de tijd op enkele

extra minuten in. Druk vervolgens op de start/pauze-knop om het apparaat opnieuw in te schakelen. **OPMERKING:** U kunt de mand tevens uittrekken om de ingrediënten tijdens het bakproces te controleren en te schudden. Wanneer de mand opnieuw in het apparaat is geschoven, wordt de werking met de geselecteerde instelling hervat.

11. Maak het mandje leeg en doe de levensmiddelen in een kom of op een bord. Om grotere of breekbare ingrediënten te verwijderen, haalt u de ingrediënten uit het mandje met behulp van een tang.
Om ingrediënten, zoals rundvlees, kip, vlees en andere ingrediënten die olie bevatten, waarvan de overtollige olie in de bodem van de mand wordt opgevangen, uit te halen, gebruik een tang om de ingrediënten één voor één te verwijderen.
Om ingrediënten, zoals friet, groente en ingrediënten zonder overtollige olie, uit te halen, trek de mand uit en breng de ingrediënten over naar een schaal.
12. Als de bereidingstijd voorbij is, is het apparaat meteen gereed voor het bereiden van een volgende portie als dit nodig is.

FRITUURTIPS

1. De ideale hoeveelheid voor knapperige friet is 400 gram.
2. Voeg 3 extra minuten aan de bereidingstijd toe wanneer het apparaat koud is of laat het apparaat circa 4 minuten voorverwarmen zonder ingrediënten in het apparaat.
3. Het is nodig om bepaalde ingrediënten aan de helft van de bereidingstijd te schudden. Om de levensmiddelen te schudden of om te draaien, trek de mand via de handgreep uit het apparaat en schud de mand of draai de ingrediënten om met een vork (of tang). Schuif de mand vervolgens opnieuw in het apparaat.
4. U kunt de frituurpan ook gebruiken voor het opnieuw verwarmen van ingrediënten. Voor het opnieuw verwarmen, stel de temperatuur in op 150 °C gedurende 10 minuten.
5. Producten met een korst of paneerlaag worden knapperiger als u deze eerst licht inspuist met wat plantaardige olie.
6. Plaats een bakvorm of een ovenschaal in het apparaat, als u een cake, quiche of ander gevoelig gerecht wilt bakken.
7. Bak geen extreem vette ingrediënten, zoals worst, in het apparaat.

VOORZICHTIG:

1. Dompel het apparaat nooit onder in water en spoel het niet af onder de kraan.
2. Voorkom dat er vloeistof het apparaat binnen kan dringen om elektrische schokken of kortsluiting te voorkomen.
3. Houd alle ingrediënten in het mandje om contact met de verwarmingselementen te voorkomen.
4. Dek de luchtinlaat en -uitlaat niet af als het apparaat in werking is. Laat een vrije ruimte van minstens 10 cm rond en boven het apparaat.
5. Het vullen van de mand met olie kan brandgevaar opleveren!
6. Raak de binnenkant van het apparaat niet aan wanneer in werking.
7. Kijk uit voor de hete lucht en stoom wanneer u het mandje uit het apparaat haalt.
8. Tijdens de bereiding komt er hete stoom uit de luchtuitlaat. Houd uw handen en gezicht op veilige afstand van de stoom en de luchtuitlaat.
9. Schakel het apparaat onmiddellijk uit en haal de stekker uit het stopcontact als donkere rook wordt afgegeven. Dit betekent dat het voedsel te veel is gekookt of het apparaat defect is.

BAKTABEL

Deze tabel toont de hoeveelheden van de etenswaren evenals de vereiste temperatuur en tijden. Wanneer de aanwijzingen op de verpakking van het product van de in deze tabel getoonde waarden verschillen, dan moeten de aanwijzingen op de verpakking gevolgd worden.

| Type | Minimum-maximum hoeveelheid van ingrediënten (g) | Tijd (minuten) | Temperatuur (°C) | Omdraaien | Extra informatie |
|---------------|--|----------------|------------------|-----------|-------------------------|
| Friet | 200-650 | 20-25 | 200 | Omdraaien | |
| Ribbetjes | 100-450 | 20-25 | 180 | Omdraaien | |
| Garnalen | 100-450 | 10-15 | 180 | Omdraaien | |
| Cake | 100-450 | 8-15 | 200 | Omdraaien | Voeg 1/2 lepel olie toe |
| Kippenboutjes | 100-600 1-6 stuks | 18-25 | 180 | Omdraaien | Voeg 1/2 lepel olie toe |
| Biefstuk | 100-450 1-5 stuks | 18-21 | 180 | Omdraaien | Voeg 1/2 lepel olie toe |
| Vis | 100-450 | 10-15 | 180 | Omdraaien | |

REINIGEN EN ONDERHOUD

- Voordat u het apparaat aanpakt of gaat reinigen, dient u het ongeveer 30 minuten af te laten koelen. Reinig het apparaat zowel aan de binnen- als buitenkant grondig.
- Reinig de binnen- en buitenkant van het apparaat met een vochtige doek en droog deze weer met een schone, zachte doek.
- Gebruik nooit schurende middelen of sponzen.
- Verwijder de mand om het apparaat sneller te laten afkoelen. Reinig de mand en het bakrooster met warm water, een beetje afwasmiddel en een zachte spons. Veeg grondig droog voor gebruik.
- Maak het verwarmingselement binnenin de behuizing schoon (na het uittrekken van de mand) met een schoonmaakborstel om eventuele etensresten te verwijderen.

Opmerking: De mand en het bakrooster zijn vaatwasserbestendig.

PROBLEEM OPLOSSINGEN

| Probleem | Mogelijke oorza(a)k(en) | Oplossing |
|--|--|---|
| Het apparaat werkt niet. | De stekker zit niet in het stopcontact. | Steek de stekker in een geaard stopcontact. |
| | De aan/uit-knop werd niet ingedrukt om het apparaat in te schakelen. | Druk op de aan/uit-knop om het apparaat in te schakelen. |
| De ingrediënten zijn niet volledig gebakken. | De hoeveelheid voedsel in de mand is te groot. | Doe minder ingrediënten tegelijk in het mandje. Kleinere hoeveelheden bakken gelijkmatiger. |
| | De temperatuur is te laag of de ingestelde tijd is te kort. | Verhoog de temperatuur of stel een langere kooktijd in. |
| De ingrediënten zijn niet gelijkmatig gebakken. | Voor verschillende soorten voedsel kan het noodzakelijk zijn deze halverwege de bereidingstijd om te schudden. | Schud het voedsel om halverwege de bereidingstijd. |
| De gefrituurde snacks zijn niet knapperig | U heeft een soort snack uitgekozen die alleen op een traditionele manier gefrituurd kan worden. | Gebruik snacks voor de oven of doe een beetje olie op de snacks voor een knapperiger resultaat. |

| | | |
|--|--|---|
| Er komt witte rook uit het apparaat. | U bereidt vette ingrediënten. | Tijdens het bakken van vette levensmiddelen, zal er olie in de mand lekken. De olie produceert witte rook en de pan kan warm worden. Dit heeft geen impact op de bakprestaties en beschadigt het apparaat niet. |
| | De mand bevat nog vetresten van het vorig gebruik. | Maak de mand schoon na elk gebruik. |
| Verse frietjes zijn onregelmatig gefrituurd | U hebt de verkeerde soort aardappel gebruikt | Gebruik verse aardappelen. |
| | U hebt de aardappelfriet voor het bakken onvoldoende gespoeld. | Reinig de aardappelsticks fatsoenlijk om het zetmeel aan de buitenkant van de sticks te verwijderen. |
| Verse frietjes zijn niet knapperig | De knapperigheid van de frietjes is afhankelijk van de hoeveelheid olie en water in de frietjes. | Zorg ervoor dat de sticks goed afgedroogd zijn alvorens olie toe te voegen. |
| | | Snijd de aardappelsticks smaller voor een knapperiger resultaat. |
| | | Voeg beetje bij beetje meer olie toe voor een knapperiger resultaat. |

TECHNISCHE GEGEVENS

Bedrijfsspanning: 220-240V ~ 50-60Hz

Opgenomen vermogen: 1450W

GARANTIE EN KLANTENSERVICE

Vóór de levering worden onze apparaten streng gecontroleerd. Indien het toestel ondanks alle zorg bij de productie of tijdens het transport beschadigd werd, moet u het naar de handelaar terugbrengen. Naast het wettelijke recht op waarborg heeft de klant recht op de volgende garantieclaim:

Wij geven een garantie van 2 jaar op het toestel, te beginnen met de koopdatum. Indien u een defect product heeft, kunt u rechtstreeks terug gaan naar het aankooppunt.

Gebreken die het gevolg zijn van ondeskundig gebruik van het toestel, fouten tijdens ingrepen en reparaties door derden of door de inbouw van vreemde onderdelen, vallen niet onder deze garantie. Bewaar altijd uw aankoopnota, zonder aankoopnota kunt u geen aanspraak maken op enige vorm van garantie. Bij schade veroorzaakt door het niet opvolgen van de gebruiksaanwijzing vervalt het recht op garantie. Voor vervolgschade die hieruit ontstaat kunnen wij niet verantwoordelijk gehouden worden. Voor materiële schade of persoonlijk letsel veroorzaakt door ondeskundig gebruik of het niet opvolgen van de veiligheidsvoorschriften zijn wij niet aansprakelijk. In dergelijke gevallen vervalt iedere aanspraak op garantie. Schade aan accessoires of onderdelen betekend niet dat het gehele apparaat zal worden vervangen. Afgebroken glazen of kunststof onderdelen of accessoires vallen niet onder de garantie en zullen tegen vergoeding vervangen kunnen worden. Defecten aan hulpstukken of aan slijtage onderhevige onderdelen, alsmede reiniging, onderhoud of de vervanging van slijtende delen vallen niet onder de garantie en zullen dus in rekening gebracht worden.

MILIEUVRIENDELIJKE AFVALVERWERKING



Recycling – Europese Richtlijn 2012/19/EU

Deze markering betekent dat dit product niet samen met ander huishoudelijk afval mag worden afgedankt. Om het milieu en de volksgezondheid niet in gevaar te brengen en het hergebruik van grondstoffen te bevorderen, moet dit product op verantwoorde wijze worden afgevoerd.

Lever verbruikte apparatuur a.u.b. in bij de hiervoor bestemde inzamelpunten of bij de winkel waar het product was aangeschaft. Zij zullen dit product accepteren voor milieuvriendelijke afvalverwerking.

TURVALLISUUSOHJEET

Varmista ennen käyttöä, että olet lukenut kaikki alla olevat ohjeet henkilövahinkojen ja vaurioiden välttämiseksi ja parhaiden tulosten saamiseksi laitteesta. Säilytä tämä käyttöopas turvallisessa paikassa. Jos annat tai siirrät laitteen jollekin muulle, anna tämä käyttöopas laitteen mukana.

Takuu ei korvaa vahinkoja, jotka aiheutuvat näiden käyttöohjeiden noudattamatta jättämisestä. Valmistaja/maahantuoja ei vastaa vaurioista, jotka aiheutuvat käyttöohjeiden noudattamatta jättämisestä, huolimattomasta käytöstä tai tämä käyttöoppaan vaatimusten vastaisesta käytöstä.

1. Laitetta saavat käyttää yli 8-vuotiaat lapset ja henkilöt, joiden fyysinen, aistinvarainen tai henkinen toimintakyky on rajoittunut tai joilla ei ole tarvittavaa kokemusta ja tietoa laitteen käytöstä, jos heitä valvotaan tai opastetaan laitteen turvalliseen käyttöön, ja he ymmärtävät käyttöön liittyvät vaarat.
2. Lapset eivät saa leikkiä laitteella.
3. Lapset eivät saa puhdistaa tai tehdä kunnossapitoa, jos he eivät ole yli 8-vuotiaita ja valvonnan alla.
4. Pidä laite ja sen virtajohto alle 8-vuotiaiden lasten ulottumattomissa.
5. Jos virtajohto on vaurioitunut, se täytyy viedä vaihdettavaksi valmistajalle, sen valtuuttamaan huoltoliikkeeseen tai vastaavalle ammattitaitoiselle henkilölle vaarojen välttämiseksi.
6. Lisätietoa ruoan tai öljyn kanssa kosketuksiin joutuvien pintojen puhdistamisesta on käyttöoppaan luvussa ”PUHDISTUS JA KUNNOSSAPITO”.
7. Tämä laite ei ole tarkoitettu käytettäväksi ulkoisen ajastimen tai erillisen kauko-ohjausjärjestelmän kanssa.

8. Varmista ennen laitteen pistokkeen liittämistä pistorasiaan, että jännite ja taajuus vastaavat arvokilven tietoja.
9. Yhdistä laite aina maadoitettuun pistorasiaan.
10. Irrota pistoke pistorasiasta, jos laitetta ei käytetä sekä ennen puhdistamista.
11. Jos käytetään jatkojohtoa, sen on sovelluttava laitteen virrankulutukseen, muuten jatkojohto ja/tai pistoke voivat ylikuumentua. Jatkojohtoon kompastuminen saattaa aiheuttaa loukkaantumisen. Ole varovainen välttääksesi vaaralliset tilanteet.
12. Varmista, ettei virtajohto roiku terävien reunojen yli ja pidä se etäällä kuumista pinnoista ja avotulesta.
13. Älä upota laitetta tai pistoketta veteen tai mihinkään nesteeseen. Sähköisku aiheuttaa hengenvaaran!
14. Irrota pistoke pistorasiasta pistokkeesta vetämällä. Älä vedä virtajohdosta.
15. Älä koske laitteeseen, jos se putoaa veteen. Irrota pistoke pistorasiasta, kytke laite pois päältä ja lähetä korjattavaksi valtuutettuun huoltoliikkeeseen.
16. Älä kytke pistoketta pistorasiaan tai irrota sitä pistorasiasta märin käsin.
17. Älä koskaan yritä avata laitteen koteloä tai korjata laitetta itse. Tämä saattaa aiheuttaa sähköiskun.
18. Älä koskaan jätä laitetta ilman valvontaa käytön aikana.
19. Tätä laitetta ei ole suunniteltu ammattikäyttöön.
20. Älä käytä laitetta mihinkään muuhun kuin mihin se on tarkoitettu.
21. Älä kierrä johtoa laitteen ympärille, äläkä taivuttele sitä.
22. Aseta laite vakaalle, tasaiselle pinnalle, josta se ei voi pudota.
23. Estä tuotteen altistuminen liialliselle lialle ja kosteudelle.
24. Puhdista itse laite hieman kostealla liinalla.
25. Älä käytä konetta ilman valvontaa. Jos sinun täytyy poistua työpaikalta, kytke kone pois päältä ja irrota pistoke pistorasiasta (vedä itse pistokkeesta, älä johdosta).

26. Älä aseta laitetta seinää tai toista laitetta vasten. Jätä vähintään 10 cm:n vapaa tila laitteen taakse, sivuille ja yläpuolelle.
27. Kuumaa höyryä tulee ilman poistoaukkojen kautta kuumalla ilmalla friteerauksen aikana. Pidä kädet ja kasvot turvallisella etäisyydellä höyrystä ja ilman poistoaukoista. Varo kuumaa höyryä ja ilmaa myös, kun poistat pannun laitteesta.
28. Irrota laite heti pistorasiasta, jos laitteesta tulee tummaa savua. Odota savun loppumista ennen kuin poistat pannun laitteesta.
29. Varmista ennen jokaista käyttökertaa, että lämpöelementti ja sen ympäristö ovat puhtaat eikä niissä ole ruoanjäämiä. Tällä tavalla varmistat moitteettoman toiminnan.

30.

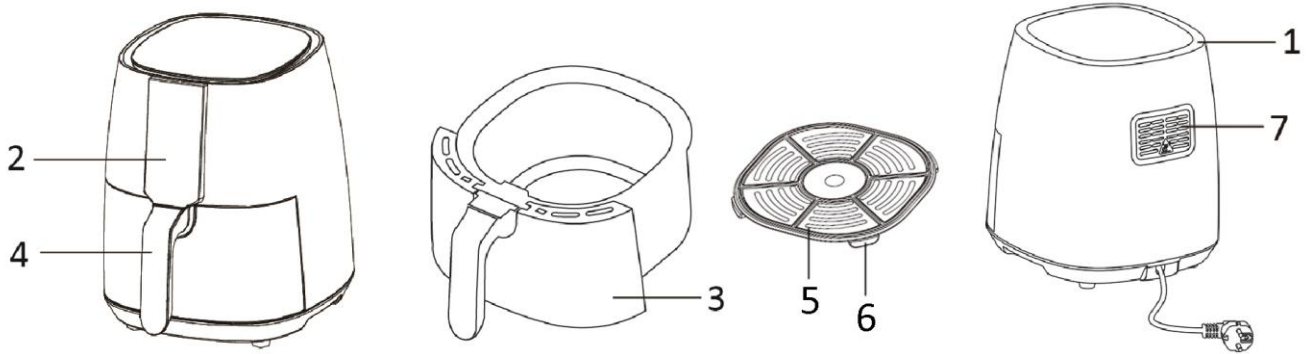


Huomio, kuuma pinta.

VAROITUS!! Älä koske kuumiin pintoihin käytön aikana. Kosketuspintojen lämpötila voi olla korkea laitteen toimiessa.

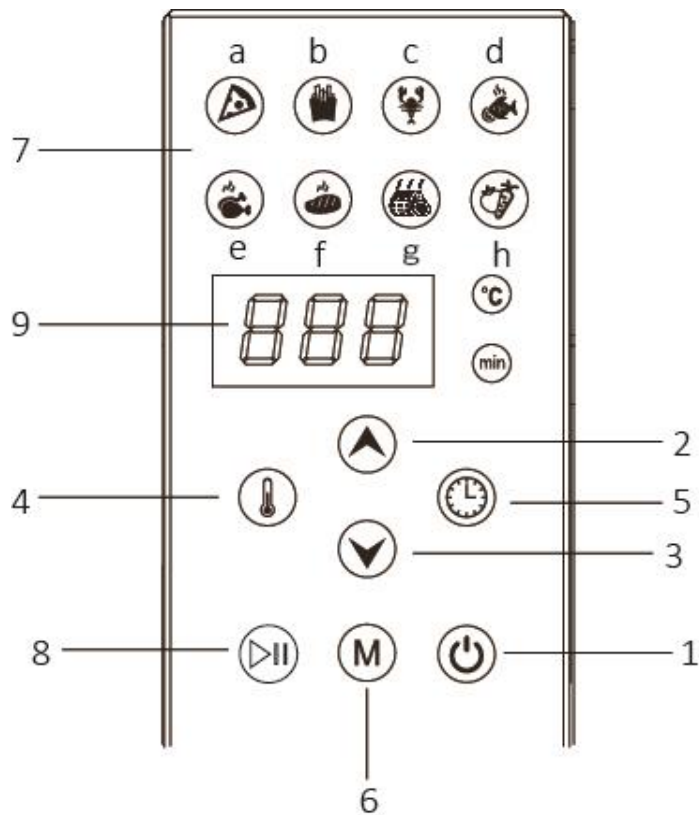
31. Kuumaa ilmaa tulee laitteen takana olevasta tuuletusaukosta. Varmista, että pidät riittävän etäisyyden lämmölle herkkiin materiaaleihin, kuten lasiin.
32. Jos käytät tarttumattomalla pinnoitteella varustettuja tuotteita, varmista, ettei samassa huoneessa ole lintuja, ja että huone saadaan suljettua ja siellä on hyvä ilmanvaihto.

OSALUETTELO



1. Ilmanotto
2. Käyttöpaneeli ja näyttö
3. Kori
4. Korin kahva
5. Friteerausritilä
6. Silikoniulokset
7. Ilmanpoisto

Käyttöpaneeli ja näyttö



1. Virtapainike
2. Säätopainike ("+")
3. Säätopainike ("-")
4. Lämpötilapainike (painamalla säätopainiketta voit säätää lämpötilaksi 80–200 °C)
5. Ajastinpainike (painamalla säätopainiketta voit säätää ajaksi 1–60 minuuttia)

6. Valikon valinta
7. Valikko (lueteltu alla)
8. Käynnistys-/keskeytyspainike
9. Ajastimen ja lämpötilan näyttö

Valikko:

- a). pizza, b). ranskalaiset, c). katkaravut, d). kala,
e). koipipalat, f). pihvi, g). kylki, h). vihannekset

ENNEN KÄYTTÖÄ

Lue kaikki ohjeet ennen käyttöä ja säilytä käyttöopas tulevia tarpeita varten. Kytke laite vain maadoitettuun pistorasiaan. Poista pakkausmateriaalit ennen ensimmäistä käyttökertaa. Puhdista kori ja friteerausritilä. (Katso ”PUHDISTUS JA KUNNOSSAPITO”) Pyyhi laite sisäpuolelta ja ulkopuolelta pehmeällä liinalla. Varmista, että sähköosat pysyvät kuivina. **Tämä laite kuumentaa ruoan joka puolelta, ja useimpien ruokien kypsennys ei vaadi öljyä.**

Anna laitteen käydä noin 10 minuuttia ennen ensimmäistä käyttökertaa, jotta tuotantojäämät palavat pois. Varmista, että tilassa on hyvä ilmanvaihto. Laitteesta voi tulla hieman savua ja sille ominaista hajua, kun kytket sen päälle ensimmäisen kerran. Tämä on normaalia ja loppuu nopeasti.

Huomaa: Käytä friteerausritilää aina silikonikotelot kiinnitettyinä. Ne auttavat vakauttamaan friteerausritilän koriin valmistuksen aikana.

KÄYTTÖ

1. Aseta laite kuivalle, tasaiselle ja lämpöä kestäväälle alustalle.
2. Koska laite kuumenee käytössä, varmista, että sen läheisyydessä ei ole muita esineitä.
3. Vedä kori laitteesta korin kahvaa käyttäen. Laita friteerausritilä koriin.
4. Laita ainekset koriin. Liu’uta kori laitteeseen. Varmista, että se on oikein paikallaan ja täysin suljettu. Muussa tapauksessa laite ei toimi. Huomio: Älä koske koriin käytön aikana tai hetkeen käytön jälkeen, sillä se on hyvin kuuma. Pidä koria vain kahvasta.
5. Yhdistä pistoke sopivaan seinäpistorasiaan. Koneesta kuuluu yksi merkkiääni ja se siirtyy valmiustilaan. Paina virtapainiketta, digitaalinen näyttö ja käynnistys-/keskeytyspainike vilkkuvat.
6. Paina lämpötilapainiketta ja valitse haluamasi lämpötila säätöpainikkeella (5 °C / painallus). Paina ajastinpainiketta ja valitse haluamasi aika säätöpainikkeella (1 minuutti / painallus). Voit myös säätää arvoa nopeasti painamalla säätöpainiketta pitkään.
7. Voit myös valita valmistustoiminnon suoraan painamalla valikon valintapainikkeita. Jos haluat säätää aikaa ja lämpötilaa hieman, tee säätäminen kohdan 6 mukaan. Valitun ruoan kuvake vilkkuu valikossa.
8. Kone käynnistyy, kun painat käynnistys-/keskeytyspainiketta kerran. Digitaalisessa näytössä näkyy asetettu lämpötila ja aika. Voit keskeyttää toiminnan painamalla käynnistys-/keskeytyspainiketta uudelleen, digitaalinen näyttö ja käynnistys-/keskeytyspainike vilkkuvat. Jos keskeytystilassa ei tehdä mitään toimintaa 1 minuuttiin, laite siirtyy automaattisesti valmiustilaan ja kuuluu 5 merkkiääntä.
9. Kun koko valmistusprosessi päättyy, näytössä vilkkuu ”00 min” ja puhallin lopettaa toimimisen muutaman sekunnin kuluttua. Voit kytkeä laitteen myös manuaalisesti pois päältä painamalla virtapainiketta. Kuuluu 5 merkkiääntä, kun laite siirtyy valmiustilaan.
10. Vedä kori laitteesta korin kahvaa käyttäen. Tarkista onko ruoka valmista. Jos ei, liu’uta kori takaisin laitteeseen. Aseta lämpötila ja ajastimeen muutama lisäminuutti. Käynnistä koneen uudelleen painamalla käynnistys-/keskeytyspainiketta. HUOMAA: Voit myös vetää korin ulos valmistuksen aikana ja tarkistaa kypsyyden ja ravistella aineksia. Kun liu’utat korin takaisin, kone jatkaa toimimista valitulla asetuksella.
11. Tyhjennä kori ja laita ruoka kulhoon tai lautaselle. Nosta isot tai herkästi hajoavat ainekset korista pihtien avulla.
Kun poistat aineksia (esim. pihvit, kana, liha, jotka ovat rasvaisia, ja joista kertyy ylimääräistä rasvaa korin pohjalle), käytä pihtejä ja poimi ainekset yksi kerrallaan.

Kun poistat aineksia (esim. ranskalaiset, vihannekset, joista ei kerry ylimääräistä rasvaa), voit vetää korin pois ja kaataa ainekset tarjoiluastiaan.

12. Kun kypsennys on päättynyt, laitteeseen voi tarvittaessa välittömästi asettaa uuden erän ruokaa.

PAISTOVIHJEITÄ

1. Optimaalinen määrä rapeita aineksia on 400 grammaa.
2. Lisää valmistusaikaan 3 minuuttia, jos laite on kylmä. Voit myös esilämmittää laitetta tyhjänä noin 4 minuutin ajan.
3. Jotkin ainekset vaativat ravistelua valmistuksen puolivälissä. Voit ravistella aineksia tai kääntää ne vetämällä korin ulos laitteesta kahvaa käyttäen ja ravistelemalla aineksia tai kääntämällä ne haarukalla (tai pihdeillä). Liu'uta kori sitten takaisin laitteeseen.
4. Voit käyttää friteerauslaitetta myös aineksien lämmittämiseen. Kun lämmität aineksia, aseta lämpötilaksi 150 °C ja ajaksi enintään 10 minuuttia.
5. Tuotteet, jotka on paneerattu tulevat rapeammiksi, jos niihin suihkutetaan hieman kasviöljyä.
6. Aseta kakkuvuoka tai uunivuoka laitteeseen, jos haluat leipoa kakun tai quiche-piiraan tai muita hajoavia aineksia.
7. Älä valmista laitteessa erittäin rasvaisia aineksia, kuten makkaroita.

VAROITUS:

1. Älä upota laitteen runkoa veteen tai huuhtele sitä juoksevalla vedellä.
2. Estä nesteiden joutuminen laitteeseen sähköiskun tai oikosulun vaaran välttämiseksi.
3. Aseta aina kaikki ruoat koriin, jotta ne eivät pääse koskettamaan lämpöelementtejä.
4. Älä peitä laitteen ilman sisäänmeno- tai ulostuloaukkoja sen ollessa käytössä. Jätä vähintään 10 cm:n vapaa tila laitteen ympärille ja yläpuolelle.
5. Korin täyttäminen öljyllä saattaa aiheuttaa tulipalovaaran!
6. Älä koske laitteen sisäpuolta laitteen ollessa toiminnassa.
7. Varo kuumaa höyryä ja ilmaa, kun poistat korin laitteesta.
8. Ilman ulostuloaukoista vapautuu käytön aikana kuumaa höyryä. Pidä kädet ja kasvot turvallisella etäisyydellä höyrystä ja ilma-aukoista.
9. Kytke laite heti pois päältä ja irrota pistorasiasta, jos tummaa savua tulee laitteesta. Se tarkoittaa, että ruoka on palanut tai laite on vioittunut.

PAISTOTAULUKKO

Tämä taulukko näyttää ruokatuotteiden määrät, vaaditut lämpötilat ja friteerausajat. Jos tuotteen pakkauksen ohjeet poikkeavat tässä taulukossa esitetyistä arvoista, tulee noudattaa pakkauksen ohjeita.

| Tyyppi | Ainesten vähimmäis- ja enimmäismäärä (g) | Aika (minuuttia) | Lämpötila (°C) | Kääntäminen | Lisätiedot |
|--------------|--|------------------|----------------|-------------|------------------------------|
| Ranskalaiset | 200–650 | 20–25 | 200 | Kääntäminen | |
| Kylki | 100–450 | 20–25 | 180 | Kääntäminen | |
| Ravut | 100–450 | 10–15 | 180 | Kääntäminen | |
| Kakku | 100–450 | 8–15 | 200 | Kääntäminen | Lisää 1/2 lusikallista öljyä |
| Koipipalat | 100–600 1–6 kpl | 18–25 | 180 | Kääntäminen | Lisää 1/2 lusikallista öljyä |
| Naudanpihvi | 100–450 1–5 kpl | 18–21 | 180 | Kääntäminen | Lisää 1/2 lusikallista öljyä |
| Kala | 100–450 | 10–15 | 180 | Kääntäminen | |

PUHDISTUS JA KUNNOSSAPITO

1. Anna laitteen jäähtyä noin 30 minuuttia ennen puhdistamista. Puhdista laitteen sisä- ja ulkopinnat säännöllisesti.
 2. Puhdista sisäpinnat nihkeällä liinalla ja kuivaa ne pehmeällä, puhtaalla liinalla.
 3. Älä koskaan käytä hankaavia puhdistusaineita tai sieniä.
 4. Poista kori niin laite jäähtyy nopeammin. Puhdista kori ja friteerausritilä kuumalla vedellä ja astianpesuaineella, älä käytä hankaussieniä. Kuivaa hyvin ennen käyttöä.
- Huomaa: korin ja friteerausritilän voi pestä astianpesukoneessa.

VIANETSINTÄ

| Ongelma | Mahdollinen syy | Ratkaisu |
|---|--|--|
| Laite ei toimi. | Laitetta ei ole yhdistetty pistorasiaan. | Yhdistä virtapistoke maadoitettuun pistorasiaan. |
| | Et ole kytkenyt laitetta päälle painamalla virtapainiketta. | Kytke laite päälle painamalla virtapainiketta. |
| Ainekset eivät kypsy täydellisesti. | Ainesten määrä korissa on liian suuri. | Laita koriin vähemmän aineksia. Pienemmät erät valmistuvat tasaisemmin. |
| | Lämpötila on liian alhainen tai aika on liian lyhyt. | Nosta lämpötilaa tai valmista kauemmin. |
| Ainekset kypsyvät epätasaisesti. | Joitakin aineksia täytyy ravistella valmistuksen puolivälissä. | Ravistele aineksia valmistuksen puolivälissä. |
| Friteeratut tuotteet eivät ole rapeita | Käytät tuotteita, jotka täytyy valmistaa perinteisessä rasvakeittimessä. | Käytä uuniin tarkoitettuja tuotteita tai voitele tuotteet öljyllä rapeamman tuloksen saamiseksi. |
| Laitteesta tulee valkoista savua. | Valmistat rasvaisia aineksia. | Kun valmistat rasvaisia aineksia, rasvaa valuu koriin. Rasva tuottaa valkoista savua ja pannu voi ylikuumentua. Tämä ei vaikuta tulokseen tai vioita laitetta. |
| | Korissa on yhä rasvajäämiä edellisestä käyttökerrasta. | Pese kori kunnolla jokaisen käyttökerran jälkeen. |
| Ranskalaiset kypsyvät epätasaisesti. | Et käytä oikeaa perunalajiketta. | Käytä tuoreita perunoita. |
| | Et ole huuhdellut perunatikkuja ennen friteerausta. | Huuhtelee perunatikut tärkkelyksen poistamiseksi tikkujen pinnalta. |
| Ranskalaiset eivät ole rapeita. | Ranskalaisten rapeus riippuu niissä olevan öljyn ja veden määrästä | Varmista, että perunatikut on kuivattu kunnolla ennen öljyn lisäämistä. |
| | | Leikkaa perunatikut pienemmiksi rapeamman tuloksen saavuttamiseksi |
| | | Lisää hieman öljyä rapeamman tuloksen saamiseksi. |

TEKNISET TIEDOT

Käyttöjännitettä: 220-240V ~ 50-60Hz

Tehonkulutuksen: 1450W

TAKUU JA ASIAKASPALVELU

Laitteet tarkastetaan huolellisesti, ennen kuin ne toimitetaan jälleenmyyntiin. Jos laite on kaikesta huolimatta vioittunut tuotannon tai kuljetuksen aikana, palauta se jälleenmyyjälle. Laissa säädettyjen oikeuksien lisäksi ostajalla on oikeus seuraaviin takuukorvauksiin:

Laitteella on 2 vuoden takuu ostopäivästä lukien. Viallisen tuotteen voi palauttaa suoraan ostopaikkaan.

Takuu ei kata vikoja, jotka aiheutuvat laitteen virheellisestä käsittelystä, ulkopuolisten suorittamista muutoksista tai korjauksista tai muiden kuin alkuperäisosien asentamisesta laitteeseen.

Säilytä aina ostokuitti, sillä ilman kuittia et voi vaatia takuukorvauksia. Takuu ei kata vikoja ja niistä aiheutuneita esine- tai henkilövahinkoja, jos ne ovat seurausta käyttöohjeiden noudattamatta jättämisestä. Myöskään valmistaja ei ole tällöin vastuussa. Lisävarusteiden vioittuminen ei oikeuta koko laitteen vaihtamiseen. Kyseisissä tapauksissa kannattaa ottaa yhteyttä valmistajan asiakaspalveluun. Rikkoontuneiden lasi- tai muoviosien korjaus tai vaihto ei kuulu takuuseen. Kuluvien osien vikojen korjaus, puhdistus, huolto ja vaihto eivät kuulu takuuseen.

YMPÄRISTÖYSTÄVÄLLINEN HÄVITTÄMINEN



Kierrätys – eurooppalainen direktiivi 2012/19/EY

Tämä merkintä ilmaisee, että tätä tuotetta ei saa hävittää kotitalousjätteiden mukana. Jotta jätteiden virheellisestä hävittämisestä ei aiheutuisi vaaraa ympäristölle tai terveydelle, kierrätä tuote vastuullisesti. Siten edistät myös uusiutumattomien luonnonvarojen kestävää uudelleenkäyttöä. Kierrätä tuote toimittamalla se sähkö- ja elektroniikkaromua vastaanottavaan kierrätyspisteeseen tai liikkeeseen, josta ostit sen. Siten varmistat, että se kierrätetään turvallisesti.

SIKKERHETSINSTRUKSER

Før bruk må du lese alle instruksene nedenfor så du unngår skader på personer eller gjenstander, og slik at resultatet blir best mulig. Oppbevar håndboken på et trygt sted. Hvis du gir eller overlater apparatet til andre, må du sørge for at de også får håndboken.

Skulle det oppstå skader fordi brukeren ikke følger instruksene i håndboken, vil garantien ikke lenger være gyldig. Produsent/importør påtar seg ikke ansvar for skader som måtte oppstå dersom instruksene ikke blir fulgt, apparatet utsettes for skjodesløs behandling eller bruken ikke er i tråd med anvisningene.

1. Dette apparatet kan brukes av barn over 8 år og av personer med nedsatte fysiske, sensoriske eller mentale funksjoner eller manglende erfaring og kunnskap, så sant de er under betryggende tilsyn eller har fått opplæring i anvendelsen av apparatet og er klar over risikoen ved bruk.
2. Barn må ikke leke med apparatet.
3. Rengjøring og vedlikehold må ikke utføres av barn med mindre de er over 8 år og under tilsyn.
4. Apparat og ledning må være utilgjengelige for barn under 8 år.
5. Hvis ledningen er ødelagt, må den byttes av produsent, serviceansvarlig eller annen kvalifisert person for at ulykker skal unngås.
6. For instruksjoner om hvordan du rengjør overflater som kommer i kontakt med mat eller olje, kan du lese avsnittet "RENGJØRING OG VEDLIKEHOLD" i håndboken.
7. Apparatet er ikke ment å skulle betjenes med et eksternt tidsur eller en separat fjernkontroll.
8. Før du setter støpslet inn i stikkontakten, må du kontrollere at spenning og frekvens er i samsvar med spesifikasjonene på typeetiketten.
9. Sett alltid støpslet inn i en jordet stikkontakt.

10. Ta støpslet ut av stikkontakten når apparatet ikke er i bruk og før rengjøring.
11. Brukes det skjøteledning, må den passe til apparatets strømforbruk, hvis ikke kan ledning og/eller støpsel bli overopphetet. Det er en potensiell risiko for skader ved at man kan snuble i ledningen. Vær påpasselig med å unngå farlige situasjoner.
12. Pass på at ledningen ikke henges over skarpe kanter, og hold den unna varme gjenstander og åpen flamme.
13. Ikke legg apparat eller støpsel i vann eller andre væsker. Elektrisk støt kan medføre livsfare!
14. Når du skal ta støpslet ut av kontakten, drar du i støpslet. Unngå å dra i ledningen.
15. Unngå å ta på apparatet hvis det faller ned i vann. Ta støpslet ut av kontakten, slå av apparatet og lever det til et autorisert servicesenter for reparasjon.
16. Apparatet må ikke kobles til eller fra strømmettet med våte hender.
17. Du må aldri forsøke å åpne dekslet på apparatet eller reparere det selv. Det kan medføre elektrisk støt.
18. Ikke la apparatet stå uten tilsyn mens det er i bruk.
19. Apparatet er ikke beregnet på kommersiell bruk.
20. Apparatet må aldri brukes til andre formål enn det som det er beregnet for.
21. Unngå å snurre ledningen rundt apparatet eller lage en knekk på den.
22. Sett apparatet på et stabilt og flatt underlag som det ikke kan falle ned fra.
23. Unngå at produktet kommer i nærkontakt med for mye skitt og fuktighet.
24. Rengjør selve produktet med en lett fuktig klut.
25. Maskinen må ikke brukes uten at den holdes under oppsyn. Hvis du forlater stedet, må du alltid slå av maskinen eller ta støpslet ut av stikkontakten (dra i selve støpslet, ikke i ledningen).

26. Ikke plasser apparatet mot en vegg eller mot et annet apparat. La det være minst 10 cm ledig plass på baksiden og sidene og over apparatet.
27. Under steking med varm luft frigjøres varm damp gjennom luftutløpsåpningene. Hold hender og ansikt i sikker avstand fra dampen og fra luftutløpsåpningene. Vær også forsiktig med varm damp og luft når du tar kjelen ut av apparatet.
28. Trekk øyeblikkelig ut støpselet hvis du ser mørk røyk som kommer ut av apparatet. Vent til røykutslippet stopper før du tar kjelen ut av apparatet.
29. Sørg for at varmeelementet og omgivelsene er rene og renses fra matrester før hver bruk av apparatet, for å sikre en feilfri funksjon.
- 30.

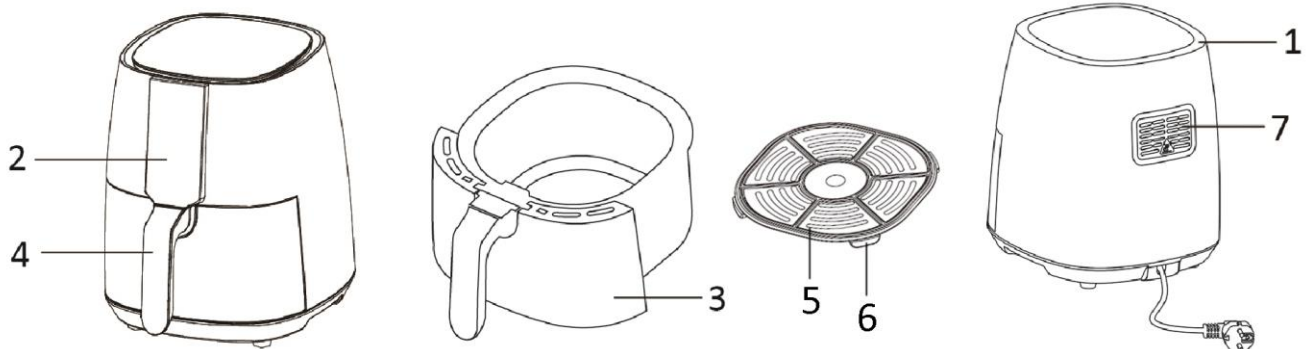


Advarsel, varm overflate.

ADVARSEL!! Unngå å berøre overflaten når apparatet er i bruk. Temperaturen på tilgjengelige overflater kan bli høy når apparatet er på.

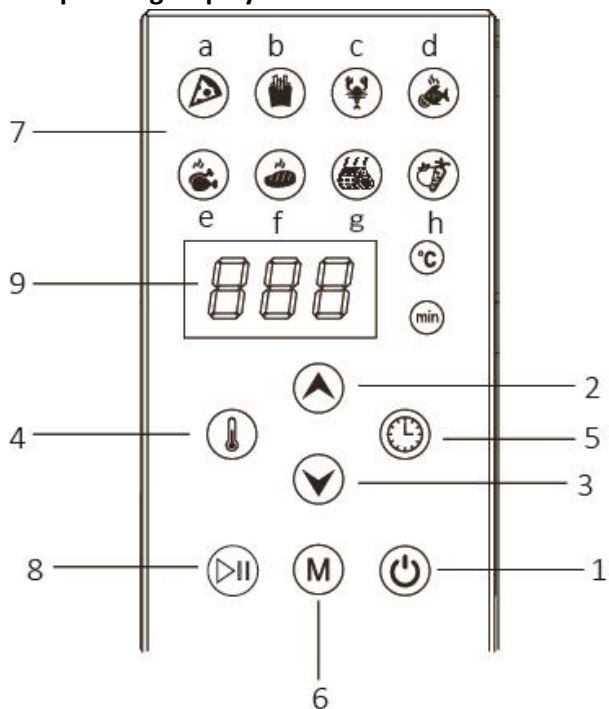
31. Varm luft kommer ut av lufteventilen på baksiden av apparatet. Sørg for å holde tilstrekkelig avstand til materialer som glass som er følsomme for varme.
32. Hvis du bruker produkter med slippbelegg, må du forsikre deg om at ingen fugler befinner seg i samme rom, og at rommet kan lukkes fullstendig og samtidig være godt ventilert.

BESKRIVELSE AV DELENE



1. Luftinntak
2. Kontrollpanel og display
3. Skuff
4. Kurvhåndtak
5. Stekegrill
6. Silikonknott
7. Luftuttak

Kontrollpanel og display



1. På-/av knapp
2. Justeringsknapp ("+")
3. Justeringsknapp ("-")
4. Temperaturkontroll (Trykk på justeringsknappen for å justere temperaturen fra 80 ° C til 200 ° C)
5. Timer-kontroll (Trykk på justeringsknappen for å justere tiden fra 1 til 60 minutter)
6. Menyvalg
7. Meny (listet opp nedenfor)
8. Start / pause-knapp
9. Timer og temperaturvisning

Meny:

- a). pizza, b). chips, c). reker, d). fisk,
- e). lårklubber, f). biff, g). ribbe, h). grønnsak

FØR BRUK

Les først alle instruksjonene før bruk og oppbevar for senere referanse. Apparatet må alltid kobles til en jordet stikkontakt. Fjern emballasjen før første bruk. Rengjør kurven og stekegrillen. (Se "RENGJØRING OG VEDLIKEHOLD") Tørk på innsiden og utsiden av apparatet med en myk klut. Forsikre deg om at de elektriske delene forblir tørre. **Dette apparatet varmer mat i alle retninger, og de fleste ingrediensene trenger ingen olje.**

Bruk apparatet før første gangs bruk i ca. 10 minutter for å brenne av produksjonsrester. Sørg for god ventilasjon. Apparatet kan avgi noe røyk og en karakteristisk lukt når du slår det på for første gang. Dette er normalt og vil snart stoppe.

Merk: Bruk alltid stekegrillen med silikonetuene festet. De vil bidra til å stabilisere stekegrillen i kurven under steking.

BRUK

1. Plasser apparatet på en tørr, stabil og varmebestandig overflate.
2. Siden apparatet blir varmt under bruk, må du forsikre deg om at det ikke er for nær andre gjenstander.
3. Trekk ut kurven fra apparatet ved hjelp av kurvhåndtaket. Sett risten inn i kurven.
4. Sett ingrediensene i skuffen. Skyv skuffen inn i apparatet. Forsikre deg om at de er plassert riktig og lukket helt. Ellers vil ikke apparatet fungere. NB: Ikke berør skuffen under bruk eller innen kort tid etter bruk, da den blir veldig varm. Hold skuffen kun i håndtaket.
5. Koble strømpluggen til et passende stikkontakt. Maskinen sender ut en pipelyd og går i standby-modus. Trykk på av / på-knappen, det digitale displayet og start / pause-knappen blinker.
6. Trykk på temperaturkontrollknappen og deretter på justeringsknappen for å stille inn ønsket temperatur (5 °C / trykk). Trykk på tidskontrollknappen og deretter på justeringsknappen for å stille inn ønsket tid (1 minutt / trykk). Du kan også trykke lenge på justeringsknappen for rask justering.
7. Du kan også trykke på menyvalgsknappen for å velge matlagingsfunksjonene direkte i menyen. Hvis du ønsker å justere tid og temperatur litt, kan du foreta justering som trinn 6. Det valgte matikonet i menyen vil blinke.
8. Trykk på start / pause-knappen en gang; maskinen begynner å virke.. Det digitale displayet viser innstilt temperatur og tid. Du kan trykke på start / pause-knappen igjen for å gjøre en pause, og i pausetilstand vil det digitale displayet og start / pause-knappen blinke. Hvis det ikke er noen operasjon i omtrent 1 minutt i pausetilstand, vil maskinen automatisk gå i beredskap med 5 pipelyder.
9. Når hele tilberedningsprosessen er ferdig, blinker "00 min" på displayet, og deretter slutter viften å virke om noen sekunder. Du kan også slå av maskinen manuelt ved å trykke på av / på-knappen. Det høres 5 pipelyder når maskinen går i standby-modus.
10. Trekk ut kurven fra apparatet ved hjelp av kurvhåndtaket. Sjekk om ingrediensene er klare. Hvis ikke, bare skyv kurven tilbake i apparatet. Still inn temperaturen og tidtakeren til noen ekstra minutter. Trykk deretter på start / pause-knappen for å kjøre maskinen igjen. MERK: Du kan også trekke ut kurven for å sjekke ingrediensene under kokeprosessen. Når du skyver kurven tilbake, fortsetter maskinen å jobbe med innstillingen.
11. Tøm kurven, legg maten i en bolle eller på en tallerken. For å fjerne store eller skjøre ingredienser, løft ingrediensene ut av kurven med en tang.

For å fjerne ingredienser (f.eks. biff, kylling, kjøtt, ingredienser med originalolje og inneholder overflødig olje fra ingredienser samlet på bunnen av kurven), bruk tang til å plukke ingrediensene en etter en.

For å fjerne ingredienser (f.eks. chips, grønnsaker eller ingredienser uten overflødig olje fra ingrediensene), trekk ut kurven og hell ingrediensene på serviset.

- Etter at tilberedningen er ferdig, er apparatet umiddelbart klart til å tilberede en ny mengde ingredienser om nødvendig.

STEKETIPS

- Den optimale mengden for sprø pomes frites er 400 gram.
- Legg til 3 minutter på forberedelsestiden når apparatet er kaldt, eller du kan også la apparatet forvarme ca. 4 minutter uten ingredienser inni.
- Noen ingredienser krever risting halvveis i reparasjonstiden. For å riste eller snu ingrediensene, trekk skuffen ut av apparatet med håndtaket og rist den eller vend ingrediensene med en gaffel (eller tang). Skyv deretter skuffen tilbake i apparatet.
- Du kan også bruke frityrkokeren til å varme opp ingrediensene. For å varme opp ingrediensene, sett temperaturen til 150°C i opptil 10 minutter.
- Produkter med skorpe av tørre brødsmler blir sprøere ved å spraye dem med litt vegetabilsk olje.
- Legg en bakepanne eller en ovnsfat i apparatet hvis du vil bake en kake eller quiche eller andre skjøre ingredienser.
- Ikke tilbered ekstremt fete ingredienser som pølser i apparatet.

OBS:

- Ikke senk huset i vann eller skyll det under kranen.
- Unngå at væske kommer inn i apparatet for å forhindre elektrisk støt eller kortslutning.
- Hold alle ingrediensene i kurven for å forhindre kontakt med varmeelementer.
- Ikke dekk til luftinntaket og uttaket når apparatet fungerer. La det være minst 10 cm ledig plass rundt og over apparatet.
- Å fylle kurven med olje kan føre til brannfare!
- Ikke berør innsiden av apparatet når det er i drift.
- Vær forsiktig med varm damp og luft når du tar kurven ut av apparatet.
- Under drift frigjøres varm damp gjennom luftutløpet. Hold hender og ansikt i sikker avstand fra dampen og luftutløpet.
- Slå øyeblikkelig av og koble fra støpselet hvis du ser mørk røyk som kommer ut av apparatet, noe som betyr at maten er overkocht eller at apparatet brøt sammen.

STEKETABELL

Denne tabellen viser mengden av matvareprodukter og ønsket temperatur og steketider. Hvis instruksjonene på produktpakken avviker fra verdiene vist i denne tabellen, bør instruksjonene på pakken følges.

| Type | Minimum-maksimal mat ingredienser mengde (g) | Tid (minutter) | Temperatur (°C) | Vending | Ytterligere informasjon |
|------------|--|----------------|-----------------|---------|-------------------------|
| Chips | 200-650 | 20-25 | 200 | Vending | |
| ribbein | 100-450 | 20-25 | 180 | Vending | |
| Reke | 100-450 | 10-15 | 180 | Vending | |
| Kake | 100-450 | 8-15 | 200 | Vending | Tilsett 1/2 skje olje |
| Kyllinglår | 100-600 1-6 stk | 18-25 | 180 | Vending | Tilsett 1/2 skje olje |
| Biff | 100-450 1-5 stk | 18-21 | 180 | Vending | Tilsett 1/2 skje olje |
| Fisk | 100-450 | 10-15 | 180 | Vending | |

RENGJØRING OG VEDLIKEHOLD

1. Før du håndterer eller rengjør apparatet, la det avkjøles i omtrent 30 minutter. Rengjør apparatet på innsiden og utsiden regelmessig.
2. Rengjør utsiden og innsiden av apparatet med en fuktig klut og tørk med en myk, ren klut.
3. Bruk aldri slipende rengjøringsmidler eller svamper.
4. Fjern kurven for å la apparatet avkjøles raskere. Rengjør kurven og stekegrillen i varmt vann med en vaskevæske og en ikke-slipende svamp. Tørk godt før bruk.

Merk: Kurven og stekegrillen kan brukes i oppvaskmaskinen.

FEILSØKING

| Problem | Mulig årsak | Løsning |
|--|--|---|
| Apparatet fungerer ikke. | Apparatet er ikke koblet til. | Sett støpselet i en jordet stikkontakt. |
| | Du har ikke trykket på av / på-knappen for å slå på maskinen. | Trykk på av / på-knappen for å slå på apparatet. |
| Ingrediensene er ikke stekt helt. | Mengden på maten i skuffen er for høy. | Legg mindre mengder ingredienser i kurven. Mindre partier stekes jevnere. |
| | Temperaturen er for lav, eller tiden er ikke nok. | Øk temperaturen eller kok mer tid. |
| Ingrediensene er stekt ujevnt. | Ulike typer mat må kanskje ristes halvveis under matlagingen. | Rist maten halvveis i koketiden. |
| Stekte snacks er ikke sprø. | Du brukte en type snacks som skal tilberedes i en tradisjonell friturekoker. | Bruk ovnsbiter eller pensle litt olje på snacksene for å få et sprøere resultat. |
| Hvit røyk kommer ut av apparatet. | Du tilbereder fete ingredienser. | Når du steker fettete ingredienser, lekker olje i skuffen. Oljen forhindrer hvit røyk, og pannen kan varme opp. Dette påvirker ikke stekeresultatet eller skader apparatet. |
| | Skuffen inneholder fortsatt fettrester fra tidligere bruk. | Rengjør skuffen ordentlig etter hver bruk. |
| Pommes frites stekes ujevnt. | Du har ikke brukt riktig potet-type. | Bruk ferske poteter. |
| | Du har ikke skylt potetpinnene ordentlig før du steker dem. | Skyll potetstikkene ordentlig for å fjerne stivelse fra utsiden av pinnene. |
| Pommes frites er ikke sprø. | Sprøheten til potetstengene avhenger av mengden olje og vann i potetstengene | Forsikre deg om at potetstengene er tørket ordentlig før du tilsetter oljen. |
| | | Skjær potetstengene mindre for et sprøere resultat. |
| | | Tilsett litt mer olje for et sprøere resultat. |

TEKNISKE DATA

Driftsspenning: 220-240V ~ 50-60Hz

Strømforbruk: 1450W

GARANTI OG KUNDESERVICE

Før levering våre enheter er underlagt streng kvalitetskontroll. Hvis, til tross all omsorg, har skaden oppstått under produksjon eller transport, kan du returnere enheten til forhandleren. I tillegg til lovfestede rettigheter, har kjøper en opsjon til å kreve i henhold til følgende garanti.

For de kjøpte apparatet vi gir 2 års garanti, fra den dagen av salget. I denne perioden vil vi avhjelpe alle mangler gratis, som kan påviselig skyldes material-eller produksjonsfeil, ved reparasjon eller bytte.

Defekter som oppstår på grunn av feil håndtering av enheten og funksjonsfeil på grunn av inngrep og reparasjoner av tredjeparter eller montering av ikke-originale deler er ikke dekket av denne garantien.

Ta alltid vare på kvitteringen. Uten kvitteringen kan du ikke kreve noen form for garanti. Skade som skyldes at bruksanvisningen ikke er fulgt, medfører at garantien blir gjort ugyldig. Hvis dette resulterer i betydelig skade vil vi ikke kunne holdes ansvarlig for skaden. Vi kan heller ikke bli holdt ansvarlig for material - eller personalskade som skyldes feil bruk eller om instruksene i bruksanvisningen ikke er blitt ordentlig utført. Skade på tilbehør gir ikke rett til utskifting av hele apparatet. Vær vennlig, i et slikt tilfelle, å ta kontakt med din serviceavdeling. Knust glass eller brekkasje på plastikkdeler er alltid gjenstand for utskifting. Ved defekter på forbruksdeler eller deler som er utsatt for slitasje, herunder rengjøring, vil vedlikehold eller utskifting ikke være dekket av garantien og må derfor bli betalt.

MILJØVENNLIG KASTING



Resirkulering – EU-direktiv 2012/19/EU

Dette symbolet indikerer at produktet ikke skal kastes sammen med husholdningsavfall. For å hindre mulig skade på miljø eller helse fra ukontrollert avfallshåndtering, resirkuleres det ansvarlig for å fremme bærekraftig gjenbruk av materialressurser. For å returnere din brukte enhet, bruk

stedlige retur og innsamlingsystemer eller kontakt forhandleren der produktet ble kjøpt. De kan sørge for at dette produktet blir miljømessig og trygt resirkulert.

SIKKERHEDSINSTRUKTIONER

Sørg for at læse alle anvisningerne nedenfor, før apparatet tages i brug, for at undgå person- eller tingskade, og for at opnå de bedste resultater med apparatet. Opbevar denne vejledning på et sikkert sted. Hvis du giver dette apparat til en tredjepart, skal du også overdrage denne vejledning til den senere bruger.

Skulle der opstå skader som følge af, at brugeren ikke følger anvisningerne i denne vejledning, bortfalder garantien. Fabrikanten/importøren kan ikke holdes ansvarlig for skader som opstår som følge af, at brugeren ikke følger vejledningen, uagtsom anvendelse eller anvendelse i strid med vejledningen.

1. Dette apparat kan bruges af børn fra 8 år og op samt personer med nedsatte fysiske, sansemæssige eller mentale kapaciteter eller med mangel på erfaring og kendskab, hvis de har været under opsyn eller har modtaget vejledning i apparatets sikre brug og forstår de dertilhørende farer.
2. Børn må ikke leget med apparatet.
3. Rengøring og brugervedligeholdelse må ikke udføres af børn, medmindre de er over 8 år og er under opsyn.
4. Hold apparatet og dets ledning utilgængeligt for børn under 8 år.
5. Hvis strømkablet er beskadiget, skal den udskiftes af fabrikanten, dennes servicetekniker eller tilsvarende kvalificeret person for at undgå en fare.
6. Se manualens afsnit om " RENGØRING OG VEDLIGEHOLDELSE " for vejledning i rengøring af de overflader som kommer i kontakt med madvarer eller olie.
7. Dette apparat er ikke beregnet til at blive brugt sammen med en ekstern timer eller et særskilt fjernbetjeningsystem.

8. Før stikket sættes i en stikkontakt, bedes du kontrollere, at spændingen og frekvensen overholder specifikationerne på mærkeskiltet.
9. Apparatet skal altid sluttes til et stik, der er forbundet med jord.
10. Tag stikket ud af stikkontakten, når apparatet ikke er i brug og før rengøring.
11. Hvis der anvendes en forlængerledning, skal denne være egnet til apparatets strømforbrug, ellers kan der opstå overophedning af forlængerledningen og/eller stikket. Der er potentielt risiko for skade fra fald over forlængerledningen. Vær forsigtig og undgå farlige situationer.
12. Sørg for, at ledningen ikke hænger over skarpe kanter, og hold den væk fra varme genstande og åben ild.
13. Apparatet eller stikket må ikke puttes i vand eller andre væsker. Dette kan være livsfarligt pga. elektrisk stød!
14. For at tage stikket ud af stikkontakten skal du trække i selve stikket. Træk ikke i ledningen.
15. Berør ikke apparatet, hvis det falder ned i vand. Tag stikket ud af stikkontakten, og send det til reparation på et autoriseret servicecenter.
16. Undlad at sætte stikket i stikkontakten eller tage stikke ud af kontakten med våde hænder.
17. Forsøg aldrig at åbne apparatets kabinet, eller at reparere apparatet selv. Det kan forårsage elektrisk stød.
18. Efterlad aldrig apparatet uden opsyn, mens det er i brug.
19. Dette apparat er ikke beregnet til kommerciel brug.
20. Brug ikke apparatet til andet end dets tilsigtede brug.
21. Ledningen må ikke vikles rundt om apparatet eller bukkes.
22. Placer apparatet på en stabil, plan overflade, hvorfra det ikke kan falde ned.
23. Undgå, at produktet udsættes for skidt og fugtighed.
24. Rengør produktet med en fugtig klud.

25. Maskinen må ikke bruges uden opsyn. Hvis du forlader arbejdsområdet, skal maskinen altid slukkes eller træk stikket ud af stikkontakten (træk i selve stikket, og ikke i ledningen).
26. Placer ikke apparatet mod en væg eller mod andre apparater. Sørg for, at der er mindst 10 cm fri plads bagved, på siderne og over apparatet.
27. Ved stegning med varmluft, kommer der varmt damp ud af luftudtagene. Hold hænder og ansigt væk fra dampen, og fra luftudtagene. Pas også på varmt damp og luft, når panden fjernes fra apparatet.
28. Træk øjeblikkeligt stikket ud af stikkontakten, hvis du ser mørk røg komme ud af apparatet. Vend indtil det ikke længere ryger, før du fjerner panden fra apparatet.
29. Inden hvert brug, skal du sørge for at varmeelementet og området omkring det er rent og fri for fødevarerester, så det sikres at apparatet virker ordentligt.

30.

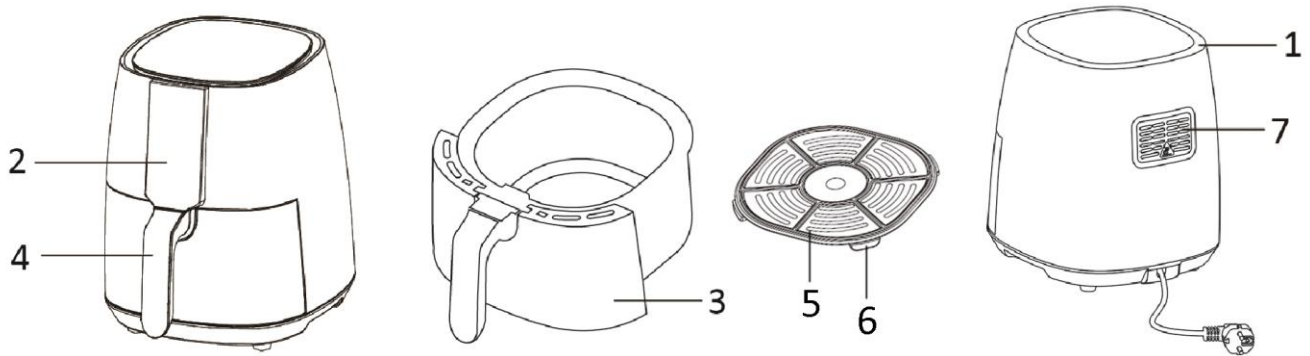


Advarsel, varm overflade.

ADVARSEL!! Overfladerne må ikke røres, når apparatet er i brug. Temperaturen på tilgængelige overflader kan være høj, når apparatet er i brug.

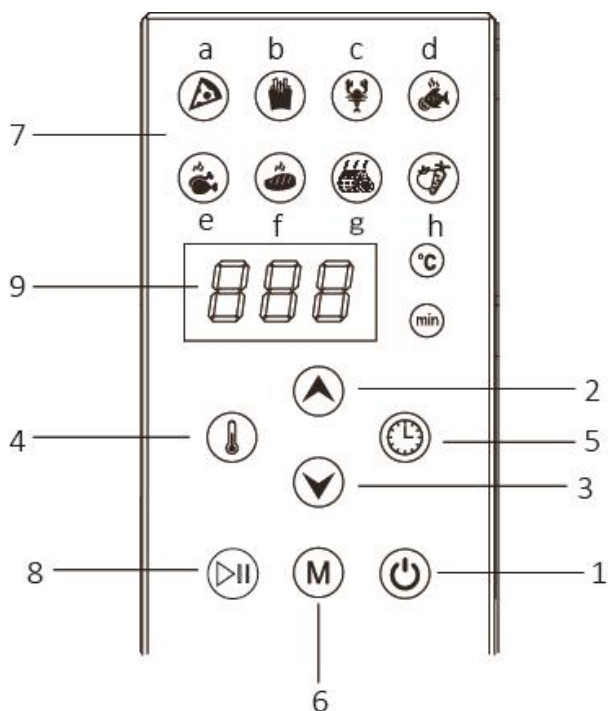
31. Der kommer varmt luft ud af luftudtagene bag på apparatet. Sørg for, at der er nok afstand til materialer, såsom glas, der kan påvirkes af varme.
32. Hvis du bruger produkter med sliplet-overflader, skal du sørge for, at ingen fugle er i rummet, og at rummet kan lukkes helt af og er godt ventileret.

BESKRIVELSE AF DELENE



1. Luftindtag
2. Betjeningspanel og skærm
3. Kurv
4. Kurvhåndtag
5. Rist
6. Silikone-etui
7. Luftudtag

Betjeningspanel og skærm



1. Tænd/sluk-knap
2. Justeringsknap (»+«)
3. Justeringsknap (»-«)
4. Temperaturknap (brug knappen til, at indstille temperaturen til mellem 80 °C og 200 °C)
5. Ur-knap (brug justeringsknappen til, at indstille tiden fra 1 til 60 minutter)
6. Menuvalg
7. Menu (anført på listen nedenfor)
8. Start/Pause-knap
9. Skærm med tid og temperatur

Menu:

- a). pizza, b). pommes frites, c). rejer, d). fisk,
e). kyllingelår, f). bøf, g). ribben, h). grøntsager

FØR ANVENDELSE

Læs først alle vejledningerne inden brug, og behold brugsvejledningen til senere reference. Slut altid apparatet til en jordforbundet stikkontakt. Inden første brug, skal al emballagen fjernes. Rengør kurven og risten. (Se afsnittet "RENGØRING OG VEDLIGEHOLDELSE") Tør apparatet af på indersiden og ydersiden med en blød klud. Sørg for, at de elektriske dele forbliver tørre. **Dette apparat varmer fødevarerne på alle siderne, og de fleste ingredienser skal ikke smøres med olie.**

Start apparatet i ca. 10 minutter inden første brug for, at brænde produktionsrester af. Sørg for god ventilation. Apparatet vil muligvis ryge og lugte en smule, når det tænder det første gang. Dette er normalt og går hurtigt væk.

Bemærk: Risten skal altid burges med silikonebeslagene på. Dette stabiliserer resten i kurven under tilberedningen.

ANVENDELSE

1. Placer apparatet på en flad, stabil og varmebestandig overflade.
2. Da apparatet bliver varmt under brug, skal du sørge for, at det ikke er for tæt på andre genstande.
3. Brug kurvens håndtag, når den tages ud af apparatet. Put risten i kurven.
4. Put ingredienserne i kurven. Sæt kurven i apparatet. Sørg for, at den sidder rigtigt, og er helt lukket. Eller virker apparatet ikke. Forsigtig: Undgå, at røre ved kurven under brug og i et stykke tid efter brug, da den bliver meget varm. Hold kun i kurvens håndtag.
5. Slut stikket til en passende stikkontakt. Maskinen siger en biplyd og går på standby. Tryk på tænd/sluk-knappen, hvorefter den digitale skærm og start/pause-knappen blinker.
6. Tryk på temperaturknappen og derefter på justeringsknappen, for at indstille den ønskede temperatur (5 °C/tryk). Tryk på ur-knappen og brug derefter justeringsknappen til at indstille den ønskede tid (1 minut/tryk). Du kan også holde justeringsknappen nede, for hurtigere indstilling.
7. Du kan også trykke på knappen til menuvalg for, at vælge tilberedningsfunktionen i menuen. Hvis du ønsker at justere tiden eller temperatur lidt, skal du gøre dette, som beskrevet i trin 6. Ikonet for det valgte mad i menuen blinker.
8. Tryk på tænd/pause-knappen, hvorefter apparatet starter. Skærmen viser den indstillede temperatur og tid. Du kan trykke på start/pause-knappen igen for at sætte tilberedningen på pause. Når tilberedningen er på pause, blinker den digitale skærm og start/pause-knappen. Hvis der ikke trykkes på nogen knapper i 1 minut, når apparatet er på pause, går det automatisk på standby og bipper 5 gange.
9. Når hele tilberedningen er færdig, blinker "00 min" på skærmen, hvorefter blæseren holder op med at blæse efter et par sekunder. Apparatet kan også slukkes manuelt, ved at trykke på tænd/sluk-knappen. Maskinen siger 5 biplyde, når det går på standby.
10. Brug kurvens håndtag, når den tages ud af apparatet. Se, om ingredienser er tilberedt. Hvis ikke, skal du blot sættes kurven tilbage i apparatet. Indstil den ønskede temperatur og sæt uret til et par minutter mere. Tryk derefter på start/pause-knappen for, at starte maskinen igen. **BEMÆRK:** Under tilberedelsen er det også muligt, at trække kurven ud, for at se ingredienserne. Når kurven sættes i igen, starter apparatet igen på samme indstillinger.
11. Tøm kurven, og put fødevarerne i en skål eller på en tallerken. For at fjerne store eller skrøbelige ingredienser, skal du tage dem ud af kurven med en tang.
Ingredienser (fx oksekød, kylling, kød, olieholdige ingredienser, hvor olien samles for neden i kurven under tilberedelsen) skal tages ud med en tang styk for styk.
Ingredienser (fx pommes frites, grøntsager og ikke-olieholdige ingredienser) skal tages ud i kurven og hældes ud på en tallerken eller i en skål.
12. Når tilberedelsen er færdig, er apparatet klar til at tilberede andre ingredienser, hvis nødvendigt.

TIPS TIL STEGNING

1. Den optimale mængde til sprøde pommes frites er 400 gram.
2. Læg 3 minutter til tilberedningstiden, hvis apparatet er koldt, eller forvarm apparatet i 4 minutter, uden ingredienser i.
3. Nogle ingredienser skal rystes halvvejs gennem tilberedningen. For at ryste og vende ingredienserne, skal du trække kurven ud af apparatet i dens håndtag, ryst kurven og vend ingredienserne med en gaffel (eller tang). Sæt derefter kurven i apparatet igen.

- Du kan også bruge frituregryden til, at varme ingredienser igen. For at varme ingredienser igen, skal du sætte temperaturen til 150 °C i op til 10 minutter.
- Produkter med skorpe af tørre brødkrummer bliver sprødere, ved at smøre dem med lidt vegetabilsk olie.
- Læg en bageplade eller et ovntallerken i apparatet, hvis du vil bage en kage eller quiche eller andre skrøbelige ingredienser.
- Tilbered ikke meget fedtholdige ingredienser i apparatet, såsom pølser.

FORSIGTIG:

- Apparatets kabinet må ikke nedsænkes i vand eller skylles under vandhanen.
- Undgå, at væske trænger ind i apparatet, så du undgår elektrisk stød og kortslutning.
- Hold alle ingredienser i kurven, så de ikke kommer i kontakt med varmeelementerne.
- Luftind- og udtagene må ikke tildækkes under brug. Sørg for, at der er mindst 10 cm fri plads rundt om og over apparatet.
- Hvis kurven fyldes med olie, kan det føre til brand!
- Rør ikke apparatet indvendigt, når det er i brug.
- Pas også på varmt damp og luft, når kurven tages ud af apparatet.
- Der kommer varmt damp ud af luftudtaget under brug. Hold hænder og ansigt sikkert væk fra dampen og luftudtaget.
- Sluk straks apparatet og træk stikket ud af stikkontakten, hvis du ser mørk røg komme ud af apparatet, hvilket betyder at fødevarerne er brændt på eller apparatet er gået i stykker.

TABEL OVER STEGETIDER OG TEMPERATUR

Denne tabel viser fødevaremængderne og den krævede temperatur og stegetider. Hvis vejledningerne på produktpakken ikke passer med værdierne i denne tabel, skal vejledningerne på pakken følges.

| Type | Største og mindste mængde fødevarer ingredienser (g) | Tid (minutter) | Temperatur (°C) | Vendes | Yderligere oplysninger |
|-------------|--|----------------|-----------------|--------|-------------------------|
| Pommes | | | | | |
| frites | 200-650 | 20-25 | 200 | Vendes | |
| rib | 100-450 | 20-25 | 180 | Vendes | |
| Rejer | 100-450 | 10-15 | 180 | Vendes | |
| Kage | 100-450 | 8-15 | 200 | Vendes | Tilføj 1/2 skefuld olie |
| Kyllingelår | 100-600 1-6 stk. | 18-25 | 180 | Vendes | Tilføj 1/2 skefuld olie |
| Steak | 100-450 1-5 stk. | 18-21 | 180 | Vendes | Tilføj 1/2 skefuld olie |
| Fisk | 100-450 | 10-15 | 180 | Vendes | |

RENGØRING OG VEDLIGEHOLDELSE

- Inden apparatet håndteres eller rengøres, skal det køle ned i ca. 30 minutter. Rengør regelmæssigt apparatet både indvendigt og udvendigt.
- Rengør apparatet indvendigt og udvendigt med en fugtig klud, og tør af med en blød, ren klud.
- Brug aldrig slibende rengøringsmidler eller svampe.
- Fjern kurven, så apparatet hurtigere kan køle ned. Rengør kurven og risten i varmt vand med opvaskemiddel, og en ikke-slibende svamp. Tør god inden brug.

Bemærk: Kurven og risten kan vaskes i opvaskemaskinen.

FEJLFINDING

| Problem | Mulig årsag | Løsning |
|--|---|--|
| Apparatet virker ikke. | Apparatet er ikke tilsluttet. | Slut stikket til en jordforbundet stikkontakt. |
| | Du har ikke trykket på tænd/sluk-knappen på apparatet. | Tryk på tænd/sluk-knappen, for at tænde apparatet. |
| Ingredienserne tilberedes ikke helt. | Der er for mange fødevarer i kurven. | Put færre fødevarer i kurven. Mindre mængder tilberedes mere jævnt. |
| | Temperaturen er for lav eller tilberedningstiden er ikke lang nok. | Forøg temperaturen eller tilbered maden i længere tid. |
| Ingredienserne tilberedes ujævnt. | Nogle fødevarer skal rystes halvvejs gennem tilberedningen. | Ryst fødevarerne halvvejs gennem tilberedelsen. |
| Stegte snacks er ikke sprøde | Du har brugt fødevarer, der skal frituresteges. | Brug fødevarer til ovnen, eller smør dem med lidt olie, så de bliver mere sprøde. |
| Der kommer hvidt røg ud af apparatet. | Du tilbereder olieholdige ingredienser. | Hvis du tilbereder olieholdige ingredienser, kan olien dryppe i kurven. Oliens varme giver hvidt røg, og panden bliver varm. Dette påvirker ikke resultatet og ødelægger ikke apparatet. |
| | Der er olierester i kurven fra forrige tilberedning. | Rengør kurven ordentligt efter hvert brug. |
| Friske pommes frites steges ujævnt. | Du bruger de forkerte kartofler. | Brug friske kartofler. |
| | Dine pommes frites er ikke blevet skyllet inden tilberedningen. | Skyl dine pommes frites ordentligt, så du fjerner stivelsen på ydersiden. |
| Friske pommes frites er ikke sprøde. | Hvor sprøde dine pommes frites bliver, afhænger af mængden af olie og vand i dem. | Sørg for, at dine pommes frites er ordentlig tørre, før du tilføjer olien. |
| | | Skær dine pommes frites i smaller stykker, hvis du ønsker dem mere sprøde. |
| | | Tilføj lidt mere olie, hvis de skal være mere sprøde. |

TEKNISKE DATA

Driftsspænding: 220-240V ~ 50-60Hz

Strømforbrug: 1450W

GARANTI OG KUNDESERVICE

Før vores apparater leveres, undergår de en streng kvalitetskontrol. Skulle du på trods af al vores umagen modtage et produkt med en skade fra fremstilling eller transport, bedes du levere det tilbage til din forhandler. Udover de obligatoriske juridiske rettigheder, kan køberen også stille krav under vilkårene i den følgende garanti:

Vi giver 2 års garanti på det købte produkt, begyndende på salgsdagen. Hvis du har et defekt produkt, kan du henvende dig direkte ved salgsstedet.

Denne garanti dækker ikke defekter som opstår som konsekvens af forkert håndtering eller fejl som følge af manipulation og reparationer udført af tredjeparter, eller montering af ikke-originale dele. Gem altid din kvittering, da du uden kvitteringen ikke kan gøre krav på nogen form for garanti. Skader som opstår fordi brugervejledningen ikke følges, medfører at garantien bortfalder, og hvis dette har efterfølgende skader, er vi ikke ansvarlige på nogen måde. Vi kan heller ikke holdes ansvarlige for materielle eller personske forårsaget af forkert brug, hvis brugervejledningen ikke følges korrekt. Skade på tilbehør betyder ikke at hele apparatet bliver erstattet. I sådanne tilfælde bedes du rette henvendelse til vores serviceafdeling. Brud på glas og plastdele erstattes altid mod betaling. Defekter på forbrugsartikler eller dele som er udsat for slidtage, samt rengøring, vedligeholdelse eller erstatning af disse dele er ikke dækket af garantien, og der bliver opkrævet betaling for sådanne tjenester.

MILJØVENLIG BORTSKAFFELSE



Genbrug – EU direktiv 2012/19/EU

Denne markering betyder at dette produkt ikke må bortskaffes sammen med almindeligt husholdningsaffald. skader på miljøet eller menneskers sundhed som følge af ukontrolleret bortskaffelse af affald, skal det genbruges ansvarligt med henblik på bæredygtig genanvendelse af materialeressourcer. Til returnering af den brugte enhed skal man benytte retur- og

indsamlingssystemerne eller kontakte den forhandler, hvor produktet blev købt. De kan modtage dette produkt med henblik på miljømæssig sikker genbrug.