

EMERIO®

AF-126323.2



Smart Fryer

(EN)

(DE)

(FR)

(IT)

CE

Content – Inhalt – Teneur – Contenuto

Instruction manual – English	- 2 -
Bedienungsanleitung – Deutsch	- 10 -
Mode d'emploi – Français	- 19 -
Manuale d'istruzioni – Italiano	- 29 -

SAFETY INSTRUCTIONS

Before use make sure to read all of the below instructions in order to avoid injury or damage, and to get the best results from the appliance. Make sure to keep this manual in a safe place. If you give or transfer this appliance to someone else make sure to also include this manual.

In case of damage caused by user failing to follow the instructions in this manual the warranty will be void. The manufacturer/importer accepts no liability for damages caused by failure to follow the manual, a negligent use or use not in accordance with the requirements of this manual.

1. This appliance can be used by children aged from 8 years and above and persons with reduced physical, sensory or mental capabilities or lack of experience and knowledge if they have been given supervision or instruction concerning use of the appliance in a safe way and understand the hazards involved.
2. Children shall not play with the appliance.
3. Cleaning and user maintenance shall not be made by children unless they are older than 8 and supervised.
4. Keep the appliance and its cord out of reach of children less than 8 years.
5. If the supply cord is damaged, it must be replaced by the manufacturer, its service agent or similarly qualified persons in order to avoid a hazard.
6. Regarding the instructions for cleaning the surfaces which come in contact with food or oil, please refer to the paragraph “CLEANING AND MAINTENANCE” of the manual.
7. This appliance is intended to be used in household and similar applications such as: staff kitchen areas in shops, offices and other working environments; farm houses; by clients in hotels, motels and other residential type environments; bed and breakfast type environments.

8. This appliance is not intended to be operated by means of an external timer or separate remote-control system.
9. Before inserting the plug into the mains socket, please check that the voltage and frequency comply with the specifications on the rating label.
10. Always plug the appliance into an earthed plug socket.
11. Disconnect the mains plug from the socket when the appliance is not in use and before cleaning.
12. If an extension cord is used it must be suited to the power consumption of the appliance, otherwise overheating of the extension cord and/or plug may occur. There is a potential risk of injuries from tripping over the extension cord. Be careful to avoid dangerous situations.
13. Ensure that the mains cable is not hung over sharp edges and keep it away from hot objects and open flames.
14. Do not immerse the appliance or the mains plug in water or other liquids. There is danger to life due to electric shock!
15. To remove the plug from the plug socket, pull the plug. Do not pull the power cord.
16. Do not touch the appliance if it falls into water. Remove the plug from its socket, turn off the appliance and send it to an authorized service center for repair.
17. Do not plug or unplug the appliance from the electrical outlet with a wet hand.
18. Never attempt to open the housing of the appliance, or to repair the appliance yourself. This could cause electric shock.
19. Never leave the appliance unattended during use.
20. This appliance is not designed for commercial use.
21. Do not use the appliance for other than intended use.
22. Do not wind the cord around the appliance and do not bend it.
23. Place the appliance on a stable, level surface from which it cannot fall off.

24. Please prevent the product to be exposed to excessive dirt and humidity.
25. Clean the product itself with a slightly damp cloth.
26. Do not operate the machine without supervision, if you should leave the workplace, always switch the machine off or remove the plug from socket (pull the plug itself, not the lead).
27. Do not place the appliance against a wall or against other appliance. Leave at least 10cm free space on the back and sides and above the appliance.
28. During hot air frying, hot steam is released through the air outlet openings. Keep your hands and face at a safe distance from the steam and from the air outlet openings. Also be careful of hot steam and air when you remove the pan from the appliance.
29. Immediately unplug the appliance if you see dark smoke coming out of the appliance. Wait for the smoke emission to stop before you remove the pan from the appliance.
30. Make sure before each use of the appliance that the heating element and surroundings are clean and clear from any food remainders in order to ensure a flawless function.

31.

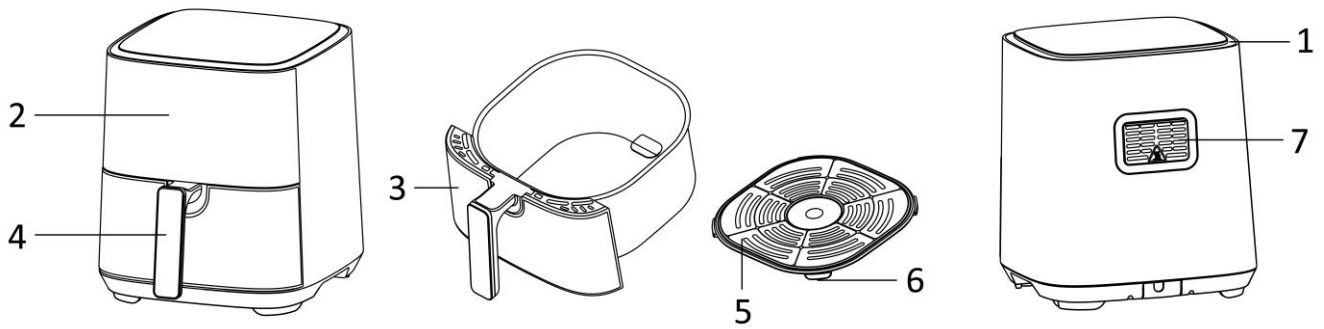


Caution, hot surface.

WARNING!! Please do not touch surface while in use. The temperature of accessible surfaces may be high when the appliance is operating.

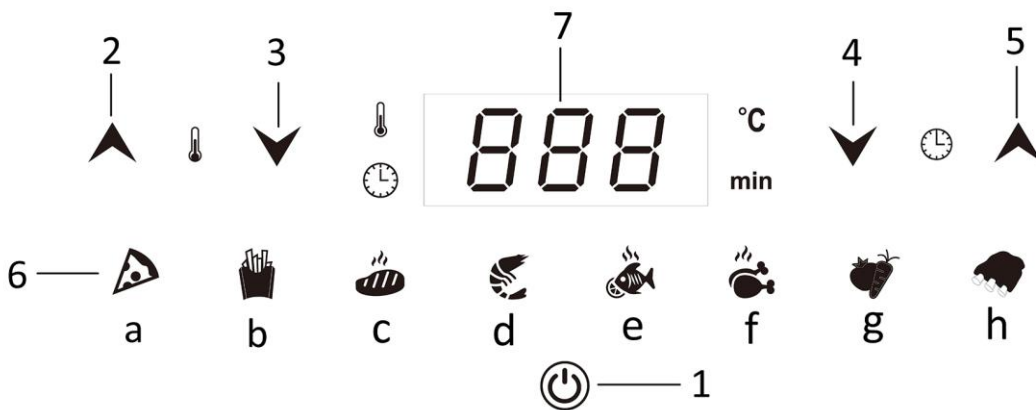
32. Hot air comes out of the air vent at the back side of the appliance. Be sure to keep sufficient distance to materials, like glass, that are sensitive to heat.
33. If you use products with non-stick surfaces, please make sure no birds are in the same room and that the room can be completely closed off and well-ventilated.

PARTS DESCRIPTION



- 1. Air inlet
- 2. Control panel and display
- 3. Basket
- 4. Basket handle
- 5. Frying grill
- 6. Silicone feet
- 7. Air outlet

Control panel and display



- 1. On/off button
- 2. Temperature adjustment button (“+”)
- 3. Temperature adjustment button (“-”)
- 4. Timer adjustment button (“-”)
- 5. Timer adjustment button (“+”)
- 6. Menu (listed below)
- 7. Timer and temperature display

Menu:

- a). pizza, b). chips, c). steak, d). shrimps,
- e). fish, f). drumsticks, g). vegetable, h). rib

Menu setting in default (You may make adjustment according to the individual taste.)

Food	Pizza	Chips	Steak	Shrimps	Fish	Drumsticks	Vegetable	Rib
Working temperature (°C)	200	200	180	180	180	180	180	180
Working time (minutes)	8	22	18	12	14	21	15	20

BEFORE USE

First read all instructions before use and retain the manual for later reference. Only plug this appliance into an earthed socket. Before first use, remove the packing materials. Clean the basket and frying grill. (See "CLEANING AND MAINTENANCE") Wipe inside and outside of the appliance with a soft cloth. Make sure that the electrical parts remain dry. **This appliance heats food at all directions and most of the ingredients do not need any oil.**

Operate the appliance before first use for approximately 10 minutes in order to burn off production residues. Make sure there is good ventilation. The appliance may emit some smoke and a characteristic smell when you switch it on for the first time. This is normal and will stop soon.

Note: Always use the frying grill with the silicone feet attached. They will help to stabilize the frying grill in the basket during cooking.

USE

1. Place the appliance on a dry, stable and heat-resistant surface.
2. Since the appliance becomes hot during use, make sure that it is not too close to other objects.
3. Pull out the basket from the appliance by the basket handle. Put the frying grill into the basket.
4. Place the ingredients into the basket. Slide the basket into the appliance. Make sure they are placed correctly and closed completely. Otherwise the appliance will not work. Caution: Do not touch the basket during use or after use in short time as it gets very hot. Only hold the basket by the handle.
5. Connect the power plug to a suitable outlet. The machine sends out one beep sound and enters into standby. Press the on/off button, the control panel is displayed.
6. Press the temperature adjustment button "+" "-" to set your desired temperature (80°C to 200°C). Press the timer adjustment button to set desired time (1 - 60 minutes). You can also long press the adjustment button for rapid adjustment.
7. You can also press the menu button to directly choose the cooking functions in the menu. If you wish to adjust the time and temperature a little, please make adjustment as step 6. The selected food icon in the menu will flash. If you need to change the menu selection when the appliance is working, you need to first press the on/off button to make a pause.
8. Press the on/off button once; the machine starts working and the on/off button flashes. The digital display shows the set temperature and time. You can press the on/off button again to make a pause. If there is no operation for about 1 minute in the pause state, the machine will automatically enter into standby with 3 beep sounds.
9. When the whole cooking process is finished, "OFF" is shown on the display, and then the blower will stop working in a few seconds. You can also manually turn off the machine by long pressing the on/off button for 3 seconds: 1) If the appliance is working, it will show "OFF" on the display and enter into standby after a few seconds; 2) if the appliance is in the state of setting, it will enter into standby directly.
10. Pull out the basket from the appliance by the basket handle. Check if the ingredients are ready. If not, simply slide the basket back into the appliance. Set the temperature and the timer to a few extra minutes. Then press the on/off button to run the machine again. NOTE: You can also pull out the basket to check and shake the ingredients during cooking process. When you slide back the basket, the machine will continue to work with the selected setting.
11. Empty the basket, putting the food into a bowl or onto a plate. To remove large or fragile ingredients, lift the ingredients out of the basket by a pair of tongs.
To remove ingredients (e.g. beef, chicken, meat, any ingredients with original oil and will have excess oil from ingredients collected on the bottom of the basket), please use tongs to pick ingredients one by one.
To remove ingredients (e.g. chips, vegetable or ingredients with no excess oil from the ingredients), please pull out the basket, and pour ingredients to tableware.

- After the cooking is done, the appliance is instantly ready for preparing another batch of ingredients if needed.

FRYING TIPS

- The optimal amount for crispy fries is 750 grams.
- Add 3 minutes to the preparation time when the appliance is cold, or you can also let the appliance preheat approx. 4 minutes without any ingredients inside.
- Some ingredients require shaking halfway through the preparation time. To shake or turn over the ingredients, pull the basket out of the appliance by the handle and shake it or turn over the ingredients by fork (or tongs). Then slide the basket back into the appliance.
- You can also use the fryer to reheat ingredients. To reheat ingredients, set the temperature to 150°C for up to 10 minutes.
- Products with crust of dry breadcrumbs will get crispier by spraying them with a little vegetable oil.
- Place a baking tin or an oven dish in the appliance if you want to bake a cake or quiche or other fragile ingredients.
- Do not prepare extremely greasy ingredients such as sausages in the appliance.

CAUTION:

- Do not immerse the housing in water or rinse it under the tap.
- Avoid any liquid entering the appliance to prevent from electric shock or short circuit.
- Keep all ingredients in the basket to prevent any contact with heating elements.
- Do not cover the air inlet and the outlet when the appliance is working. Leave at least 10cm free space around and above the appliance.
- Filling the basket with oil may cause a fire hazard!
- Do not touch the inside of the appliance when it is in operation.
- Be careful of the hot steam and air when you remove the basket from the appliance.
- During operation, hot steam is released through the air outlet. Keep your hands and face at a safe distance from the steam and the air outlet.
- Immediately turn off and unplug the appliance if you see any dark smoke coming out of the appliance, which means the food is overcooked or the appliance broke down.

FRYING TABLE

This table shows the food product quantities and required temperature and frying times. If the instructions on the product pack should deviate from the values shown in this table, the instructions on the pack should be followed.

Type	Minimum-Maximum food ingredients amount(g)	Time (minutes)	Temperature (°C)	Overturning	Additional information
Chips	600-900	18-25	200	Overturning	
rib	350-450	15-20	180	Overturning	
Shrimp	150-250	12-20	180	Overturning	
Cake	550-650 8-10 cups	20-30	160	Overturning	
Drumstick	700-900 10-13 PCS	20-25	180	Overturning	Adding 1/2 spoon of oil
Beef steak	450 3-5 pcs	15-25	180	Overturning	Adding 1/2 spoon of oil
Fish	200-300	14-20	180	Overturning	

CLEANING AND MAINTENANCE

1. Before handling or cleaning the appliance, let it cool down for approximately 30 minutes. Clean the appliance on all the inside and outside regularly.
2. Clean the outside and inside of the appliance with a damp cloth and dry with a soft clean cloth.
3. Never use abrasive cleaners or sponges.
4. Remove the basket to let the appliance cool down more quickly. Clean the basket and frying grill in hot water with a washing liquid and a non-abrasive sponge. Dry well before use.

Note: The frying grill is dishwasher safe.

TROUBLE SHOOTING

Problem	Possible cause	Solution
The appliance does not work.	The appliance is not plugged in.	Put the mains plug in an earthed wall socket.
	You have not pressed the on/off button to turn on the machine.	Press the on/off button to turn on the appliance.
The ingredients are not fried completely.	The amount of the food in the basket is too high.	Put smaller batches of ingredients in the basket. Smaller batches are fried more evenly.
	The temperature is too low or the time is not enough.	Increase the temperature or cook more time.
The ingredients are fried unevenly.	Different types of food may need to be shaken halfway during cooking.	Shake food halfway during the cooking time.
Fried snacks are not crispy	You used a type of snacks which shall be cooked in a traditional deep fryer.	Use oven snacks or lightly brush some oil onto the snacks for a crispier result.
White smoke comes out from the appliance.	You are preparing greasy ingredients.	When you fry greasy ingredients, oil will leak into the basket. The oil produces white smoke and the basket may heat up. This does not affect the cooking result or hurt the appliance.
	The basket still contains grease residue from previous use.	Clean the basket properly after each use.
Fresh fries are fried unevenly.	You haven't used the right potato type.	Use fresh potatoes.
	You haven't rinsed the potato sticks properly before frying.	Rinse the potato sticks properly to remove starch from the outside of the sticks.
Fresh fries are not crispy.	The crispness of the fries depends on the amount of oil and water in the fries	Make sure the potato sticks have been dried properly before adding the oil.
		Cut the potato sticks smaller for a crispier result
		Add slightly more oil for a crispier result.

TECHNICAL DATA

Operating voltage: 220-240V ~ 50-60Hz

Power: 1450W

GUARANTEE AND CUSTOMER SERVICE

Before delivery our devices are subjected to rigorous quality control. If, despite all care, damage has occurred during production or transportation, please return the device to your dealer.

For the purchased device we provide 2 years guarantee, commencing from the day of sale. If you have a defective product, you can directly go back to the point of purchase.

Defects which arise due to improper handling of the device and malfunctions due to interventions and repairs by third parties or the fitting of non-original parts are not covered by this guarantee. Always keep your receipt, without the receipt you can't claim any form of warranty. Damage caused by not following the instruction manual, will lead to a void of warranty, if this results in consequential damages then we will not be liable. Neither can we hold responsible for material damage or personal injury caused by improper use if the instruction manual is not properly executed. Damage to accessories does not mean free replacement of the whole appliance. In such case please contact our service department. Broken glass or breakage of plastic parts is always subject to a charge. Defects to consumables or parts subjected to wearing, as well as cleaning, maintenance or the replacement of said parts are not covered by the warranty and are to be paid.

ENVIRONMENT FRIENDLY DISPOSAL



Recycling – European Directive 2012/19/EU

This marking indicates that this product should not be disposed with other household wastes. To prevent possible harm to the environment or human health from uncontrolled waste disposal, recycle it responsibly to promote the sustainable reuse of material resources. To return your used

device, please use the return and collection systems or contact the retailer where the product was purchased. They can take this product for environmental safe recycling.

Emerio Switzerland AG
Oberneuhofstrasse 1
6340 Baar
Switzerland

SICHERHEITSHINWEISE

Lesen Sie vor dem Gebrauch unbedingt die nachfolgenden Anleitungen, um Verletzungen oder Beschädigungen zu vermeiden und das beste Ergebnis mit dem Gerät zu erzielen. Bewahren Sie diese Bedienungsanleitung an einem sicheren Ort auf. Wenn Sie dieses Gerät an eine andere Person weitergeben, stellen Sie sicher, dass Sie auch diese Bedienungsanleitung aushändigen.

Im Falle von Beschädigungen, die durch die Missachtung der Anleitungen in dieser Bedienungsanleitung verursacht wurden, wird die Garantie ungültig. Der Hersteller/Importeur haftet nicht für Schäden, die durch Missachtung der Bedienungsanleitung, fahrlässigen Gebrauch oder Benutzung, die nicht in Übereinstimmung mit den Anforderungen dieser Bedienungsanleitung erfolgt, verursacht wurden.

1. Dieses Gerät kann von Kindern ab 8 Jahren und Personen mit eingeschränkten körperlichen, sensorischen oder geistigen Fähigkeiten oder mangelnder Erfahrung und Kenntnis benutzt werden, wenn sie beaufsichtigt werden oder in die sichere Benutzung des Gerätes unterwiesen werden und die damit verbundenen Gefahren verstehen.
2. Kinder dürfen nicht mit dem Gerät spielen.
3. Die Reinigung und vom Benutzer auszuführende Wartungsarbeiten sollten nicht von Kindern durchgeführt werden; es sei denn, sie sind älter als 8 Jahre und werden beaufsichtigt.
4. Halten Sie das Gerät und sein Netzkabel außer Reichweite von Kindern unter 8 Jahren.
5. Wenn das Netzkabel beschädigt ist, muss es vom Hersteller, seinem Kundendienst oder einer ähnlich qualifizierten Person ausgewechselt werden, um Gefahren zu vermeiden.

6. Um Informationen zur Reinigung der Flächen zu erhalten, die mit Lebensmitteln oder Öl in Berührung kommen, lesen Sie bitte den Abschnitt „REINIGUNG UND INSTANDHALTUNG“ in der Bedienungsanleitung.
7. Dieses Gerät ist für die Verwendung im Haushalt oder für ähnliche Anwendungen vorgesehen, wie: in Personalküchen von Geschäften, Büros und anderen Arbeitsumgebungen; auf Bauernhöfen; von Kunden in Hotels, Motels und in anderen Unterkünften; in Unterkünften mit Halbpension.
8. Dieses Gerät ist nicht für die Bedienung über einen externen Timer oder ein separates Fernbedienungssystem bestimmt.
9. Bevor Sie den Stecker mit der Netzsteckdose verbinden, prüfen Sie bitte, ob die Spannung und die Frequenz mit den Angaben auf dem Typenschild übereinstimmen.
10. Schließen Sie das Gerät nur an geerdete Steckdosen (Schukosteckdosen) an.
11. Ziehen Sie den Netzstecker aus der Steckdose, wenn das Gerät nicht benutzt und bevor es gereinigt wird.
12. Falls ein Verlängerungskabel verwendet wird, muss es für den Stromverbrauch des Gerätes geeignet sein, sonst kann es zum Überhitzen des Verlängerungskabels und/oder des Steckers kommen. Es besteht Verletzungsgefahr durch Stolpern über das Verlängerungskabel. Lassen Sie Vorsicht walten, um gefährliche Situationen zu vermeiden.
13. Achten Sie darauf, dass das Netzkabel nicht über scharfe Kanten hängt und halten Sie es von heißen Objekten und offenen Flammen fern.
14. Tauchen Sie das Gerät oder den Netzstecker nicht in Wasser oder andere Flüssigkeiten. Es besteht Lebensgefahr aufgrund von Stromschlag!
15. Um den Stecker aus der Steckdose zu entfernen, ziehen Sie am Stecker. Ziehen Sie nicht am Kabel.

16. Berühren Sie das Gerät nicht, wenn es ins Wasser gefallen ist. Ziehen Sie den Stecker aus der Steckdose, schalten Sie das Gerät aus und schicken Sie es an einen autorisierten Kundendienst zwecks Reparatur.
17. Den Netzstecker des Gerätes nicht mit einer nassen Hand aus der Steckdose ziehen oder mit der Steckdose verbinden.
18. Versuchen Sie unter keinen Umständen, das Gehäuse des Gerätes zu öffnen oder das Gerät selbst zu reparieren. Dies könnte einen Stromschlag verursachen.
19. Lassen Sie das Gerät während des Gebrauchs niemals unbeaufsichtigt.
20. Dieses Gerät ist nicht für den gewerblichen Gebrauch konzipiert.
21. Verwenden Sie das Gerät nur zu seinem bestimmungsgemäßen Zweck.
22. Wickeln Sie das Kabel nicht um das Gerät und knicken Sie es nicht.
23. Stellen Sie das Gerät auf eine stabile, ebene Fläche, von der es nicht herunterfallen kann.
24. Bitte schützen Sie das Produkt vor übermäßiger Verschmutzung und Feuchtigkeit.
25. Reinigen Sie das Produkt selbst mit einem leicht angefeuchteten Tuch.
26. Lassen Sie das Gerät nicht unbeaufsichtigt laufen. Wenn Sie den Arbeitsplatz verlassen, schalten Sie das Gerät immer aus oder ziehen Sie den Stecker aus der Steckdose (ziehen Sie direkt am Stecker, nicht am Kabel).
27. Das Gerät nicht an eine Wand oder ein anderes Gerät stellen. Lassen Sie mindestens 10 cm Platz an Rückseite, Seiten und über dem Gerät.
28. Beim Frittieren mit Heißluft entweicht heißer Dampf durch die Luftaustrittsöffnungen. Halten Sie Ihre Hände und Ihr Gesicht in einem sicheren Abstand zum Dampf und zu den Luftaustrittsöffnungen. Nehmen Sie sich auch

vor heißem Dampf und heißer Luft in Acht, wenn Sie den Behälter aus dem Gerät entfernen.

29. Ziehen Sie sofort den Stecker des Gerätes aus der Steckdose, wenn Sie dunklen Rauch aus dem Gerät kommen sehen. Warten Sie, bis kein Rauch mehr zu sehen ist, bevor Sie den Behälter aus dem Gerät nehmen.
30. Vergewissern Sie sich vor jedem Gebrauch des Gerätes, dass das Heizelement und die Umgebung sauber und frei von Speiseresten sind, um eine einwandfreie Funktion zu gewährleisten.

31.

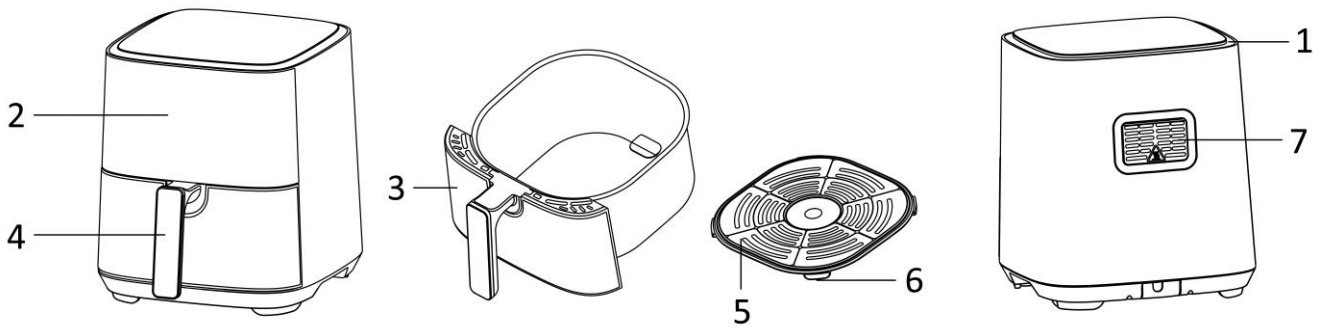


Vorsicht – heiße oberfläche

WARNUNG!! Bitte berühren Sie während des Gebrauchs nicht die Oberfläche. Die Temperatur der zugänglichen Oberflächen kann sehr hoch sein, wenn das Gerät in Betrieb ist.

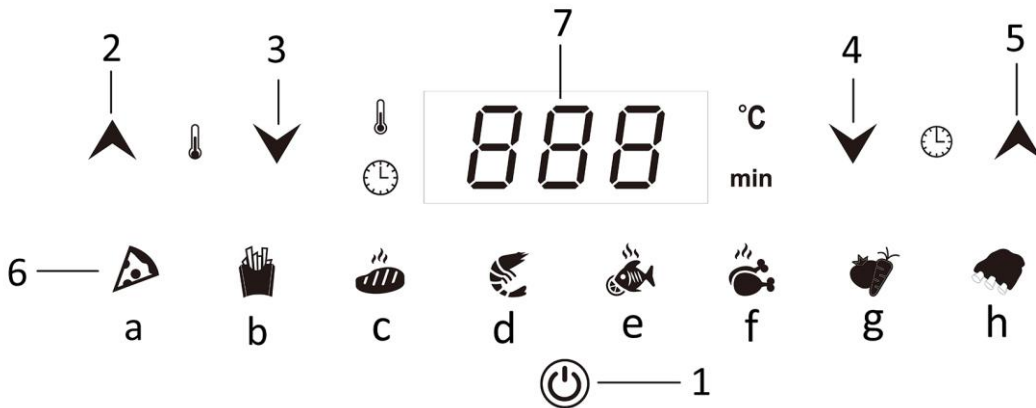
32. Aus dem Lüftungsschlitz an der Rückseite des Gerätes kommt heiße Luft. Achten Sie darauf, ausreichend Abstand zu Material, das hitzeempfindlich ist, wie zum Beispiel Glas, einzuhalten.
33. Wenn Sie Produkte mit Antihafbeschichtung benutzen, stellen Sie bitte sicher, dass sich keine Vögel im gleichen Zimmer befinden und dass das Zimmer komplett geschlossen und gut belüftet werden kann.

TEILEBESCHREIBUNG



- 1. Lufteinlass
- 2. Bedienfeld und Display
- 3. Einsatz
- 4. Frittierkorbgriff
- 5. Bratrost
- 6. Silikonfüße
- 7. Luftauslass

Bedienfeld und Display



- 1. Ein-/Aus-Taste
- 2. Temperaturregler („+“)
- 3. Temperaturregler („-“)
- 4. Timer-Einstellung („-“)
- 5. Timer-Einstellung („+“)
- 6. Menü (siehe Liste unten)
- 7. Timer- und Temperaturanzeige

Menü:

- a). Pizza, b). Pommes, c). Steak, d). Garnelen,
- e). Fisch, f). Hähnchenkeule, g). Gemüse, h). Rippchen

Menü auf Standard eingestellt (Änderungen nach eigenem Geschmack möglich.)

Lebensmittel	Pizza	Pommes Frites	Steak	Garnelen	Fisch	Hähnchenkeulen	Gemüse	Rippchen
Gartemperatur (°C)	200	200	180	180	180	180	180	180
Garzeit (Minuten)	8	22	18	12	14	21	15	20

VOR DEM GEBRAUCH

Lesen Sie vor Gebrauch zuerst alle Anweisungen durch und bewahren Sie diese für späteres Nachschlagen auf. Schließen Sie dieses Gerät ausschließlich an eine geerdete Steckdose an. Entfernen Sie vor der Erstinbetriebnahme das Verpackungsmaterial. Frittierkorb und Bratrost reinigen. (siehe "REINIGUNG UND INSTANDHALTUNG"). Reinigen Sie das Gerät innen und außen mit einem weichen Tuch. Achten Sie hierbei darauf, dass die elektrischen Bauteile trocken bleiben. **Dieses Gerät erhitzt Lebensmittel vollständig und für die meisten Zutaten kann auf eine Hinzugabe von Öl verzichtet werden.**

Betreiben Sie das Gerät vor der erstmaligen Nutzung für ca. 10 Minuten, um evtl. Produktionsrückstände zu verbrennen. Achten Sie auf eine gute Belüftung. Nach dem ersten Einschalten kann das Gerät etwas Rauch und einen charakteristischen Geruch absondern. Das ist normal und vergeht nach relativ kurzer Zeit wieder.

Hinweis: Benutzen Sie den Bratrost immer mit den Silikonfüßen. Sie stabilisieren den Bratrost während des Garvorgangs im Frittierkorb.

GEBRAUCH

1. Stellen Sie das Gerät auf eine trockene, feste und hitzebeständige Fläche.
2. Das Gerät wird während des Gebrauchs heiß; stellen Sie es daher nicht in die unmittelbare Nähe anderer Objekte.
3. Ziehen Sie den Frittierkorb am Frittierkorbgriff aus dem Gerät. Stellen Sie den Bratrost in den Frittierkorb.
4. Speisen in den Frittierkorb geben. Frittierkorb in das Gerät schieben. Achten Sie darauf, dass der Korb korrekt eingesetzt und das Gerät komplett geschlossen ist. Andernfalls wird das Gerät nicht funktionieren. Vorsicht: Berühren Sie den Frittierkorb nicht während des Betriebs oder kurz nach dem Betrieb, da er sehr heiß wird. Fassen Sie den Frittierkorb nur am Griff an.
5. Netzstecker an eine geeignete Steckdose anschließen. Das Gerät gibt einen Ton aus und schaltet auf Standby um. Ein/Aus-Taste drücken, um das Bedienfeld zu aktivieren.
6. Mit den Temperaturreglern „+“ und „-“ die gewünschte Temperatur einstellen (80 bis 200 °C). Mit der Timer-Einstellung die gewünschte Dauer (1 - 60 Minuten) vorwählen. Zum schnelleren Einstellen die Einstelltaste länger drücken.
7. Mit der Menütaste können Sie die Garfunktionen im Menü auch direkt auswählen. Um die Dauer und Temperatur ein wenig zu verändern, tun Sie dies wie in Schritt 6. Das gewählte Lebensmittelsymbol blinkt im Menü. Wenn Sie die Menüauswahl bei laufendem Gerät ändern möchten, müssen Sie den Betrieb mit der Ein/Aus-Taste zuerst unterbrechen.
8. Drücken Sie die Ein/Aus-Taste einmal; das Gerät geht in Betrieb und die Ein/Aus-Taste blinkt. Im Display steht die eingestellte Temperatur und die Dauer. Sie können die Ein-/Aus-Taste erneut drücken, um das Gerät zu unterbrechen. Wenn nach 1 Minute Unterbrechung keine Taste gedrückt wird, gibt das Gerät 3 Töne aus und schaltet dann automatisch auf Standby um.
9. Wenn der gesamte Garvorgang abgeschlossen ist, wird „OFF“ im Display angezeigt und das Gebläse hält nach wenigen Sekunden an. Sie können das Gerät auch manuell ausschalten. Drücken Sie dazu 3 Sekunden lang die Ein/Aus-Taste: 1) Falls das Gerät noch in Betrieb ist, zeigt das Display „OFF“ an und nach wenigen Sekunden schaltet das Gerät auf Standby. 2) Wenn das Gerät gerade eingestellt wird, schaltet es direkt auf Standby um.
10. Ziehen Sie den Korb am Frittierkorbgriff aus dem Gerät. Prüfen Sie, ob die Speisen gar sind. Falls nicht, schieben Sie den Korb wieder in das Gerät. Stellen Sie die Temperatur und als Garzeit ein paar zusätzliche Minuten ein. Drücken Sie anschließend die Ein/Aus-Taste, um das Gerät erneut einzuschalten. **HINWEIS:** Während der Zubereitung können Sie auch den Korb herausziehen, um den Zustand zu prüfen und dabei die Zutaten zu schütteln. Wenn Sie den Korb wieder einschieben, setzt das Gerät den Garvorgang mit den gewählten Einstellungen fort.
11. Leeren Sie den Einsatz und legen Sie die Speisen in eine Schüssel oder auf einen Teller. Nehmen Sie große oder zerbrechliche Zutaten mithilfe einer Zange aus dem Einsatz.

Nehmen Sie solche Speisen wie z. B. Rindfleisch, Huhn, andere Fleischsorten oder fetthaltige Speisen (das überschüssige Fett der Speisen sammelt sich auf dem Boden des Frittierkorbs) bitte einzeln mit einer Zange heraus.

Ziehen Sie zum Herausnehmen von solchen Speisen wie z.B. Pommes frites, Gemüse oder nicht fetthaltige Zutaten den Frittierkorb heraus und geben Sie die Speisen auf das Geschirr.

12. Nach beendetem Garen ist das Gerät sofort für die Zubereitung einer weiteren Zutatenportion bereit.

FRITTIERTIPPS

1. Die optimale Menge für knusprige Pommes frites ist 750 Gramm.
2. Verlängern Sie die Zubereitungszeit um 3 Minuten, wenn das Gerät kalt ist, oder heizen Sie das leere Gerät ungefähr 4 Minuten lang vor.
3. Manche Speisen müssen nach der Hälfte der Garzeit geschüttelt werden. Um die Speisen zu schütteln oder umzudrehen, ziehen Sie den Frittierkorb am Griff aus dem Gerät und schütteln Sie ihn oder drehen Sie die Speisen mit einer Gabel (oder Zange) um. Schieben Sie dann den Frittierkorb zurück ins Gerät.
4. Sie können die Fritteuse auch für das Wiedererwärmen von Zutaten verwenden. Stellen Sie die Temperatur zum Aufwärmen von Speisen für 10 Minuten auf 150 °C ein.
5. Panierte Speisen werden knuspriger, wenn sie mit etwas Pflanzenöl eingesprüht werden.
6. Stellen Sie eine Backform oder eine Auflaufform in das Gerät, wenn Sie einen Kuchen, eine Quiche oder andere mürbe Speisen backen möchten.
7. Bereiten Sie keine extrem fettigen Speisen, wie zum Beispiel Würstchen, in dem Gerät zu.

VORSICHT:

1. Tauchen Sie das Gehäuse nicht ins Wasser und spülen Sie es nicht unter dem Wasserhahn ab.
2. Vermeiden Sie das Eindringen von Flüssigkeiten in das Gerät, um einen Stromschlag oder Kurzschluss zu verhindern.
3. Geben Sie die Zutaten ausschließlich in den Einsatz und vermeiden Sie so, dass die Zutaten in Kontakt mit den Heizelementen kommen.
4. Der Luftein- und -auslass darf während der Betriebszeit des Geräts nicht abgedeckt werden. Lassen Sie mindestens 10 cm Platz rund um und über dem Gerät.
5. Es besteht die Gefahr eines Feuers, wenn der Frittierinsatz mit Öl gefüllt wird!
6. Berühren Sie nicht die Innenseite des Gerätes, wenn es läuft.
7. Vorsicht mit heißem Dampf und heißer Luft, wenn der Einsatz aus dem Gerät genommen wird.
8. Während des Betriebs strömt heißer Dampf aus dem Luftauslass. Halten Sie mit Händen und Gesicht einen sicheren Abstand zum Luftauslass und Dampf.
9. Schalten Sie das Gerät sofort aus und ziehen Sie den Gerätestecker aus der Steckdose, wenn Sie dunklen Rauch aus dem Gerät quellen sehen. Das bedeutet, dass die Speisen verbrannt sind oder dass Fehlfunktionen auftreten.

FRITTIER-TABELLE

In dieser Tabelle sind die Lebensmittelmengen, die erforderlichen Temperaturen und Frittierzeiten angegeben. Falls die Anweisungen auf der jeweiligen Produktverpackung von den Tabellenwerten abweichen sollten, sind die Anweisungen auf der Verpackung zu befolgen.

Art	Mindest- bis Höchstmenge (g) der Zutaten	Garzeit (Minuten)	Temperatur (°C)	Umdrehen	Zusätzliche Informationen
Pommes frites	600-900	18-25	200	Umdrehen	
Rippchen	350-450	15-20	180	Umdrehen	
Garnelen	150-250	12-20	180	Umdrehen	
Kuchen	550-650 8-10 Cups	20-30	160	Umdrehen	

Hähnchenschenkel	700-900 10-13 Stk.	20-25	180	Umdrehen	1/2 Löffel Öl dazugeben
Beefsteak	450 3-5 Stk.	15-25	180	Umdrehen	1/2 Löffel Öl dazugeben
Fisch	200-300	14-20	180	Umdrehen	

REINIGUNG UND INSTANDHALTUNG

1. Lassen Sie das Gerät für ca. 30 Minuten abkühlen, bevor Sie es anfassen oder säubern. Reinigen Sie das Gerät regelmäßig von innen und außen.
2. Säubern Sie die Außen- und Innenseite des Geräts mit einem feuchten Tuch und reiben Sie es mit einem weichen, sauberen Tuch trocken.
3. Keinesfalls scheuernde Reiniger oder Schwämme verwenden.
4. Nehmen Sie den Frittierkorb heraus, damit sich das Gerät schneller abkühlen kann. Waschen Sie den Frittierkorb und Bratrost in heißem Wasser mit Geschirrspülmittel und einem nicht scheuernden Schwamm ab. Vor dem Gebrauch gründlich abtrocknen.

Hinweis: Das Bratrost ist spülmaschinenfest.

FEHLERBEHEBUNG

Problem	Mögliche Ursache	Lösung
Das Gerät funktioniert nicht.	Das Gerät ist nicht am Strom angeschlossen.	Den Netzstecker an eine geerdete Wand-Steckdose anschließen.
	Sie haben die Ein/Aus-Taste nicht gedrückt, um das Gerät einzuschalten.	Drücken Sie die Ein/Aus-Taste, um das Gerät einzuschalten.
Die Zutaten sind nicht durchgegart.	Die Menge der Lebensmittel im Frittierinsatz ist zu groß.	Fügen Sie kleinere Mengen an Zutaten in den Einsatz. Kleinere Mengen werden gleichmäßiger frittiert.
	Die Temperatur ist zu niedrig oder die Zeit zu kurz eingestellt.	Temperatur erhöhen oder Garvorgang verlängern.
Die Zutaten sind ungleichmäßig frittiert.	Verschiedene Lebensmittelarten müssen in der Hälfte der Zubereitungszeit geschüttelt werden.	Schütteln Sie die Lebensmittel während der Hälfte der Zubereitungszeit.
Die gebratenen Snacks sind nicht knusprig.	Sie haben eine Art Snacks benutzt, die in einer traditionellen Fritteuse frittiert werden sollten.	Verwenden Sie Ofen-Snacks oder streichen Sie ein bisschen Öl auf die Snacks für ein knusprigeres Resultat.
Aus dem Gerät steigt weißer Rauch.	Sie bereiten fettige Zutaten zu.	Wenn Sie Zutaten mit hohem Fettgehalt braten, tropft Öl in den Einsatz. Das Öl erzeugt weißen Rauch und der Korb kann sich erhitzen. Dadurch wird das Garergebnis nicht beeinträchtigt und das Gerät nicht beschädigt.
	Der Korb enthält noch Fettreste vom vorherigen Gebrauch.	Den Korb nach jedem Gebrauch reinigen.
Frische Pommes Fritten sind ungleichmäßig frittiert.	Sie haben nicht die richtige Kartoffelsorte verwendet.	Frische Kartoffeln verwenden.
	Sie haben die Kartoffelstäbchen vor	Spülen Sie die Kartoffelstäbchen

	dem Frittieren nicht gründlich abgespült.	richtig ab, um Stärke von der Außenseite der Stäbchen zu entfernen.
Frische Pommes sind nicht knusprig.	Die Knusprigkeit der Pommes hängt vom Gehalt an Öl und Wasser in den Pommes ab.	Achten Sie darauf, dass die Kartoffelstäbchen richtig abgetrocknet wurden, bevor Sie Öl hinzufügen.
		Schneiden Sie die Kartoffelstückchen kleiner für ein knusprigeres Resultat.
		Fügen Sie für ein knusprigeres Resultat etwas mehr Öl hinzu.

TECHNISCHE DATEN

Betriebsspannung: 220-240V ~ 50-60Hz

Leistung: 1450W

GEWÄHRLEISTUNG UND KUNDENSERVICE

Vor der Lieferung werden unsere Geräte einer strengen Qualitätskontrolle unterzogen. Wenn, trotz aller Sorgfalt, während der Produktion oder dem Transport Beschädigungen aufgetreten sind, senden Sie das Gerät zurück an den Händler.

Wir bieten eine 2-Jahres-Gewährleistung für das erworbene Gerät, beginnend am Tag des Verkaufs. Wenn Sie ein defektes Produkt haben, nehmen Sie bitte direkt Kontakt mit dem Verkäufer auf.

Defekte, die aufgrund von unangemessenem Umgang mit dem Gerät entstehen und Störungen aufgrund von Eingriffen und Reparaturen Dritter oder das Montieren von nicht-Originalteilen, werden nicht von dieser Gewährleistung abgedeckt. Die Quittung immer aufbewahren, ohne Quittung wird jegliche Gewährleistung ausgeschlossen. Bei Schäden durch Nichteinhalten der Bedienungsanleitung erlischt die Gewährleistung, Wir sind für daraus resultierende Folgeschäden nicht haftbar. Für Materialschäden oder Verletzungen aufgrund falscher Anwendung oder Nichtbefolgen der Sicherheitshinweise sind wir nicht haftbar. Schäden an den Zubehörteilen bedeutet nicht, dass das gesamte Gerät kostenlos ausgetauscht wird. In diesem Fall kontaktieren Sie unseren Kundendienst. Zerbrochenes Glas oder Kunststoffteile sind immer kostenpflichtig. Schäden an Verbrauchsmaterialien oder Verschleißteilen, sowie Reinigung, Wartung, Austausch oder Kosten für Versand/Transport zum Reparaturort und zurück, der besagten Teile werden durch die Gewährleistung nicht abgedeckt und sind deshalb kostenpflichtig.

UMWELTGERECHTE ENTSORGUNG



Wiederverwertung – Europäischen Richtlinie 2012/19/EG

Dieses Symbol zeigt an, dass das Produkt nicht zusammen mit Haushaltsabfällen entsorgt werden darf. Um Umwelt- und Gesundheitsschäden durch unkontrollierte Abfallentsorgung zu verhindern, bitte verantwortungsbewusst entsorgen, um die nachhaltige Wiederverwertung von Ressourcen zu fördern. Nutzen Sie zur Rückgabe Ihres Altgeräts bitte die Rückgabe- und Sammelsysteme oder wenden Sie sich an den Händler bei dem Sie dieses Gerät erworben haben. Dieser kann das Gerät umweltschonend entsorgen.

Emerio Switzerland AG

Oberneuhofstrasse 1

6340 Baar

Switzerland

CONSIGNES DE SÉCURITÉ

Avant d'utiliser l'appareil, lisez toutes les consignes suivantes pour éviter des blessures et des dommages, et pour optimiser les performances de votre appareil. Conservez cette notice d'utilisation dans un endroit sûr. Si vous donnez ou transférez cet appareil à un tiers, veillez à lui remettre également cette notice d'utilisation.

En cas de détérioration due au non-respect par l'utilisateur des instructions de cette notice d'utilisation, la garantie est annulée. Le fabricant/importateur rejette toute responsabilité en cas de dommages dus au non-respect des instructions de la notice d'utilisation, à un usage négligent ou à l'usage non conforme aux exigences de cette notice d'utilisation.

1. Cet appareil peut être utilisé par des enfants à partir de 8 ans et plus et par des personnes ayant des capacités physiques, sensorielles ou mentales réduites ou un manque d'expérience et de connaissances à condition qu'elles aient reçu une supervision ou des instructions concernant l'utilisation de l'appareil en toute sécurité et qu'elles comprennent les dangers encourus.
2. Les enfants ne doivent pas jouer avec l'appareil.
3. Le nettoyage et l'entretien par l'utilisateur ne doivent pas être effectués par des enfants, sauf s'ils ont plus de 8 ans et qu'ils sont surveillés.
4. Maintenir l'appareil et son cordon hors de portée des enfants de moins de 8 ans.
5. Si le câble d'alimentation est endommagé, il doit être remplacé par le fabricant, son service après-vente ou des personnes de qualification similaire afin d'éviter un danger.
6. Pour obtenir des instructions sur comment nettoyer les surfaces qui sont en contact avec des aliments ou de

l'huile, reportez-vous au paragraphe « NETTOYAGE ET ENTRETIEN » du mode d'emploi.

7. Cet appareil est destiné à être utilisé dans des applications domestiques et analogues telles que: des coins cuisines réservés au personnel dans des magasins, bureaux et autres environnements professionnels; des fermes; l'utilisation par les clients des hôtels, motels et autres environnements à caractère résidentiel; des environnements du type chambres d'hôtes.
8. Les appareils ne sont pas destinés à être mis en fonctionnement au moyen d'une minuterie extérieure ou par un système de commande à distance séparé.
9. Avant d'insérer la fiche de l'appareil dans une prise secteur, vérifiez que la tension et la fréquence du secteur correspondent aux spécifications indiquées sur la plaque signalétique.
10. Branchez l'appareil sur une prise raccordée à la terre.
11. Débranchez la fiche électrique de la prise électrique quand l'appareil n'est pas utilisé et avant de le nettoyer.
12. Si vous utilisez une rallonge électrique, elle doit être appropriée à la puissance consommée par l'appareil, sinon la rallonge et/ou la fiche risquent de chauffer excessivement. Il existe un risque potentiel de blessures par trébuchement sur le cordon électrique. Prenez vos précautions pour éviter toute situation dangereuse.
13. Veillez à ce que le cordon d'alimentation ne pende pas sur des arêtes coupantes et maintenez-le éloigné des objets chauds et des flammes nues.
14. N'immergez jamais l'appareil ou sa fiche dans de l'eau ni dans aucun autre liquide. Cela peut provoquer un choc électrique !
15. Pour débrancher la fiche de la prise, saisissez la fiche et tirez-la hors de la prise. Ne tirez pas sur le cordon d'alimentation.

16. Ne touchez pas l'appareil s'il tombe dans de l'eau. Débranchez la fiche de la prise électrique, éteignez l'appareil et rapportez-le au centre de réparation agréé pour le faire réparer.
17. Ne branchez pas et ne débranchez pas l'appareil de la prise électrique avec les mains mouillées.
18. N'essayez pas d'ouvrir le boîtier de l'appareil ni de réparer l'appareil vous-même. Cela peut provoquer un choc électrique.
19. Ne laissez jamais l'appareil sans surveillance quand il est en fonctionnement.
20. Cet appareil n'est pas conçu pour un usage commercial.
21. N'utilisez pas cet appareil à un usage autre que celui pour lequel il a été conçu.
22. N'enroulez pas le cordon d'alimentation autour de l'appareil et ne le pliez pas.
23. Placez l'appareil sur une surface horizontale et stable, de laquelle il ne peut pas tomber.
24. Veillez à ce que l'appareil ne soit pas exposé à une humidité ou des saletés excessives.
25. Nettoyez le produit avec un chiffon légèrement humidifié.
26. N'utilisez pas l'appareil sans le surveiller. Si vous devez quitter la zone d'utilisation, éteignez toujours l'appareil et débranchez toujours sa fiche de la prise électrique (saisissez et tirez la fiche, et non le cordon d'alimentation).
27. N'installez pas l'appareil contre un mur ou contre un autre appareil. Laissez un espace d'au moins 10 cm à l'arrière, sur les côtés et au-dessus de l'appareil.
28. Cette friteuse à air chaud dégage de la vapeur brûlante par ses ouvertures de sortie d'air lorsqu'elle fonctionne. N'approchez pas vos mains ou votre visage des jets de vapeur brûlants des sorties d'air. De même, faites attention à ne pas vous brûler avec l'air et la vapeur brûlants lorsque vous retirez le panier de l'appareil.

29. Si l'appareil dégage de la fumée noire, débranchez-le immédiatement. Attendez que la fumée s'arrête avant de retirer le panier de l'appareil.
30. Avant chaque utilisation de l'appareil, vérifiez que l'élément chauffant et la zone l'entourant sont propres et exempts de tout résidu alimentaire afin de garantir un fonctionnement parfait.

31.

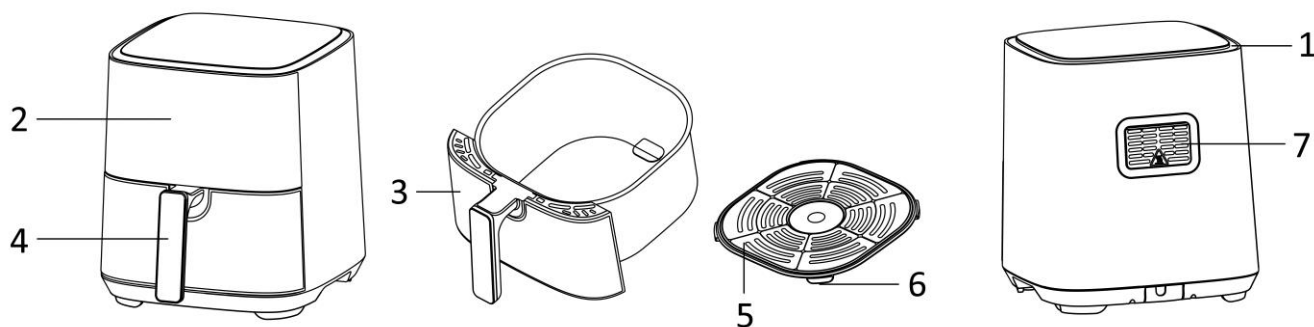


Attention, surface chaude.

Avertissement!! Veuillez ne pas toucher la surface pendant l'utilisation. La température des surfaces accessibles peut être élevée lorsque l'appareil est en fonctionnement.

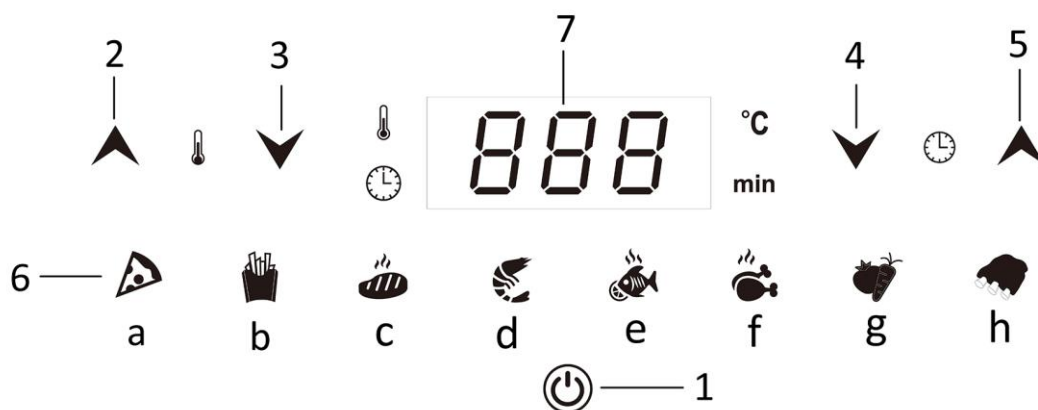
32. De l'air chaud sort de la bouche d'aération située à l'arrière de l'appareil. Veillez à maintenir une distance suffisante des matériaux, tels que le verre, qui sont sensibles à la chaleur.
33. Si vous utilisez des produits antiadhésifs, veillez à ce qu'il n'y ait aucun oiseau dans la pièce et à ce que la pièce soit complètement fermée et bien aérée.

DESCRIPTION DES COMPOSANTS



1. Entrée d'air
2. Panneau de contrôle et affichage
3. Panier
4. Poignée du panier
5. Grille de cuisson
6. Pieds en silicone
7. Sortie d'air

Panneau de contrôle et affichage



1. Bouton marche/arrêt
2. Bouton de réglage de la température (« + »)
3. Bouton de réglage de la température (« - »)
4. Bouton de réglage du temps de cuisson (« - »)
5. Bouton de réglage du temps de cuisson (« + »)
6. Menu (listé ci-dessous)
7. Affichage du temps de cuisson et de la température

Menu :

- a). pizzas, b). frites, c). steak, d). crevettes,
e). poisson, f). pilons, g). légumes, h). côtes

Réglages du menu par défaut (Vous pouvez effectuer des réglages selon vos goûts.)

Aliment	Pizza	Frites	Steak	Crevettes	Poisson	Pilons	Légumes	Côtes
Température de cuisson (°C)	200	200	180	180	180	180	180	180
Temps de cuisson (minutes)	8	22	18	12	14	21	15	20

AVANT TOUTE UTILISATION

Lisez les instructions dans leur intégralité, et conservez-les pour référence future. Utiliser cet appareil avec une prise équipée d'une mise à la terre seulement. Avant la première utilisation, retirez tous les éléments d'emballage. Nettoyez le panier et la grille de cuisson. (Voir « NETTOYAGE ET ENTRETIEN »). Essuyez l'intérieur et l'extérieur de l'appareil avec un tissu doux. Veillez à ne pas mouiller les composants électriques. **L'appareil fait chauffer les aliments de manière homogène, et une grande majorité d'ingrédients ne nécessitent aucune addition d'huile.**

Faites fonctionner la machine à puissance moyenne pendant 10 environ avant la première utilisation pour brûler les résidus de fabrication. Veillez à faire cela dans un lieu correctement aéré. Lorsque l'appareil chauffe pour la première fois, ce dernier pourrait émettre une légère fumée et une légère odeur. Ceci est normal et ne durera pas.

Remarque : Utilisez toujours la grille de cuisson avec les pieds en silicone attachés. Ils aident à stabiliser la grille dans le panier pendant la cuisson.

UTILISATION

1. Posez l'appareil sur une surface sèche, stable et thermorésistante.
2. L'appareil chauffe pendant son fonctionnement, ne pas le positionner à proximité d'autres objets inflammables.
3. Sortez le panier de l'appareil en saisissant la poignée du panier. Placez la grille de cuisson dans le panier.
4. Mettez les ingrédients dans le panier. Insérez le panier dans l'appareil. Vérifiez qu'ils sont correctement positionnés et complètement fermés. Sinon l'appareil ne fonctionnera pas. Attention : Ne touchez pas le panier pendant l'utilisation ou peu après l'utilisation, car il devient très chaud. Saisissez le panier exclusivement par sa poignée.
5. Connectez la fiche de l'appareil à une prise électrique appropriée. L'appareil émet un bip sonore et se met en veille. Appuyez sur le bouton marche/arrêt, le panneau de contrôle s'affiche.
6. Appuyez sur le bouton de réglage de la température « + » « - » pour régler la température souhaitée (80°C à 200°C). Appuyez sur le bouton de réglage du temps de cuisson pour régler le temps de cuisson souhaité (1 - 60 minutes). Vous pouvez également appuyer longuement sur le bouton de réglage pour faire défiler les chiffres rapidement.
7. Vous pouvez également appuyer sur le bouton du menu pour sélectionner directement les fonctions de cuisson dans le menu. Si vous souhaitez modifier légèrement le temps de cuisson et la température, suivez l'étape 6. L'icône correspondant à l'aliment sélectionné dans le menu clignote. Si vous devez modifier la sélection du menu lorsque l'appareil fonctionne, vous devez d'abord appuyer sur le bouton marche/arrêt pour faire une pause.
8. Appuyez une fois sur le bouton marche/arrêt ; l'appareil commence à fonctionner et le bouton marche/arrêt clignote. La température et le temps de cuisson réglés apparaissent sur l'affichage numérique. Vous pouvez appuyer à nouveau sur le bouton marche/arrêt pour faire une pause. Lorsque l'appareil est en pause, en cas d'inactivité pendant environ 1 minute, l'appareil se met en veille et 3 bips sonores sont émis.
9. Lorsque la cuisson est terminée, « OFF » apparaît sur l'affichage, puis le ventilateur cesse de fonctionner quelques secondes plus tard. Vous pouvez également éteindre manuellement l'appareil en appuyant longuement sur le bouton marche/arrêt pendant 3 secondes : 1) Si l'appareil fonctionne, « OFF » apparaîtra sur l'affichage et l'appareil se mettra en veille après quelques secondes ; 2) si l'appareil est en mode réglages, il se mettra directement en veille.
10. Retirez le panier de l'appareil en utilisant la poignée du panier. Vérifiez si les aliments sont cuits. Si ce n'est pas le cas, replongez simplement le panier dans l'appareil. Réglez la température et le temps de cuisson en ajoutant quelques minutes supplémentaires. Appuyez ensuite sur le bouton marche/arrêt pour redémarrer l'appareil. **REMARQUE :** Vous pouvez également retirer le panier afin de contrôler les aliments

à mi-cuisson et pour les mélanger. Lorsque vous replongez le panier, l'appareil continue de fonctionner avec les réglages sélectionnés.

11. Videz le panier, mettez les aliments dans un bol ou sur une assiette. Pour retirer les ingrédients fragiles ou grands, soulevez-les hors du panier avec une pince.
Pour retirer les ingrédients tels que le bœuf, le poulet, la viande et les ingrédients naturellement gras (dont le gras en excès est collecté au fond du panier), utilisez des pinces et saisissez-les un par un.
Pour retirer les ingrédients tels que les légumes et les ingrédients non gras, sortez le panier et versez les ingrédients dans un plat.
12. L'appareil peut immédiatement être utilisé pour frire un second lot d'aliments si désiré.

CONSEILS DE CUISSON

1. La quantité optimale de frites à frire à la fois est de 750 grammes.
2. Ajoutez 3 minutes de plus à la durée de la préparation quand l'appareil est froid ou vous pouvez aussi laisser l'appareil préchauffer pendant 4 minutes environ sans ingrédient à l'intérieur.
3. Certains ingrédients nécessitent d'être secoués à mi-cuisson. Pour secouer ou retourner les ingrédients, tirez le panier hors de l'appareil en saisissant sa poignée et secouez-le ou retournez les ingrédients avec une fourchette (ou une pince). Puis réinsérez le panier dans l'appareil.
4. La friteuse ne peut pas être utilisée pour réchauffer les ingrédients. Pour réchauffer les ingrédients, sélectionnez une température de 150 °C pour une durée de 10 minutes.
5. Les aliments recouverts de panure deviendront plus croquants si vous les recouvrez d'une petite quantité d'huile végétale.
6. Placez un moule ou un plat de four dans l'appareil si vous voulez cuire un gâteau, une quiche ou d'autres préparations fragiles.
7. Ne préparez pas d'ingrédients extrêmement gras (par exemple des saucisses) dans l'appareil.

ATTENTION

1. Ne pas immerger l'appareil ou le rincer sous le robinet.
2. Ne pas verser d'eau à l'intérieur de l'appareil, pour éviter les risques de choc électrique ou de court-circuit.
3. Veiller à ce que les aliments ne débordent pas du panier, pour éviter tout contact avec les éléments chauffants.
4. Ne pas bloquer l'entrée ni la sortie d'air lorsque l'appareil est en fonctionnement. Laissez un espace vide de 10 cm autour et au-dessus de l'appareil.
5. Remplir le panier avec de l'huile peut provoquer un incendie !
6. Ne touchez pas l'intérieur de l'appareil quand il est en fonctionnement.
7. L'appareil peut laisser échapper de l'air très chaud à son ouverture.
8. De l'air chaud est relâché par la sortie d'air pendant le fonctionnement. Veillez à ne pas approcher ni vos mains ni votre visage de l'appareil en fonctionnement.
9. Éteignez et débranchez immédiatement l'appareil si vous voyez de la fumée noire sortir de l'appareil, car cela indique que les ingrédients sont trop cuits ou que l'appareil est en panne.

TABLEAU DE DURÉES DE FRITURE

Le tableau de friture ci-après indique les quantités d'aliments ainsi que la température et le temps de friture respectifs requis. Respectez les instructions fournies sur l'emballage de vos aliments si elles diffèrent de celles fournies dans le tableau.

Type	Quantité d'ingrédients minimum-maximum (g)	Durée (minutes)	Température (°C)	Renversement	Informations supplémentaires
Frites	600-900	18-25	200	Renversement	
Côtes	350-450	15-20	180	Renversement	
Crvettes	150-250	12-20	180	Renversement	
Gâteau	550-650 8-10 verres	20-30	160	Renversement	
Pilons	700-900 10-13 pièces	20-25	180	Renversement	Ajouter 1/2 cuillère d'huile
Steack	450 3-5 pièces	15-25	180	Renversement	Ajouter 1/2 cuillère d'huile
Poisson	200-300	14-20	180	Renversement	

NETTOYAGE ET ENTRETIEN

1. Attendez 30 minutes pour permettre à l'appareil de refroidir avant de le manipuler ou de le nettoyer. Nettoyez les surfaces internes et externes de l'appareil régulièrement.
 2. Nettoyez les surfaces internes et externes de l'appareil avec un chiffon humide, puis séchez-les avec un chiffon sec et doux.
 3. Ne jamais utiliser de nettoyeurs ni d'éponges abrasifs.
 4. Retirez le panier pour laisser l'appareil refroidir plus rapidement. Nettoyez le panier et la grille à l'eau chaude avec du liquide vaisselle et une éponge non abrasive. Séchez-les complètement avant réutilisation.
- Remarque : La grille de cuisson passe au lave-vaisselle.

DÉPANNAGE

Problème	Cause possible	Solution
L'appareil ne fonctionne pas.	L'appareil n'est pas branché.	Branchez le cordon d'alimentation à une prise murale avec mise à la terre.
	Vous n'avez pas appuyé sur le bouton marche/arrêt pour allumer l'appareil.	Appuyez sur le bouton marche/arrêt pour allumer l'appareil.
Les ingrédients ne sont pas correctement frits.	La quantité d'aliments dans le panier est trop élevée.	Cuisez les aliments en plus petites quantités. Une plus petite quantité permet d'assurer une cuisson plus homogène.
	La température est trop basse ou le temps de cuisson trop court.	Augmentez la température ou cuisez plusieurs fois.
Les ingrédients sont frits de manière irrégulière.	Certains aliments doivent être mélangés au milieu du temps de cuisson.	Mélangez les aliments au milieu du temps de cuisson.
Les aliments frits ne sont pas croustillants	Vous avez utilisé un type d'aliment qui doit être cuit dans une friteuse traditionnelle.	Utilisez des snacks pour four ou brossez un peu d'huile sur les aliments pour obtenir un résultat plus croustillant

L'appareil émet de la fumée blanche.	Les aliments que vous préparez sont riches en graisse.	Lorsque vous faites frire des aliments gras, de l'huile s'écoulera dans le panier. L'huile produit de la fumée blanche et le panier peut chauffer. Cela n'affecte pas le résultat de la cuisson et n'endommage pas l'appareil.
	Le panier contient toujours des résidus de graisse provenant d'une utilisation précédente.	Nettoyez correctement le panier après chaque utilisation.
Les frites fraîches sont cuites inégalement	Vous n'avez pas utilisé le bon type de pommes de terre.	Utilisez des pommes de terre fraîches.
	Vous n'avez pas correctement rincé les bâtonnets de pommes de terre avant de les faire frire.	Rincez correctement les frites pour enlever l'amidon de leur surface.
Les frites ne sont pas croustillantes	La texture des frites dépend de la quantité d'huile et d'eau dans les frites.	Assurez-vous que les frites ont été séchées correctement avant d'ajouter l'huile.
		Coupez les pommes de terre de façon à obtenir des frites plus minces pour un résultat plus croustillant.
		Ajoutez un peu plus d'huile pour que les frites soient bien croustillantes.

DONNÉES TECHNIQUES

Tension de fonctionnement: 220-240V ~ 50-60Hz

Puissance: 1450W

GARANTIE ET SERVICE APRÈS-VENTE

Nos appareils sont soumis à un contrôle de qualité strict avant d'être livrés. Si l'appareil a toutefois été endommagé lors de la production ou du transport en dépit des soins que nous lui donnons, retournez l'appareil au vendeur.

Nous offrons une garantie de 2 ans pour l'appareil acheté à partir de la date de vente. En cas de produit défectueux, vous pouvez retourner directement au point de vente.

Les défauts dus à une utilisation non conforme de l'appareil et les dommages dus à une intervention ou réparation faite par une tierce personne ou dus à l'installation de pièces qui ne sont pas d'origine ne sont pas couverts par cette garantie. Conservez toujours votre reçu, car sans celui-ci vous ne pourrez réclamer aucune sorte de garantie. Les dommages causés par le non respect des instructions de ce manuel rendront la garantie caduque, nous déclinons toute responsabilité en cas de dommages indirects. Nous déclinons toute responsabilité en cas de dégâts matériels ou de dommages corporels causés par une utilisation inappropriée ou si les instructions de sécurité n'ont pas été convenablement observées. Si les accessoires sont endommagés, cela ne signifie pas que toute la machine sera remplacée gratuitement. Dans de tels cas, veuillez contacter notre assistance. Des pièces brisées en verre ou en plastique sont toujours sujettes à des frais. Les défauts des consommables ou des pièces susceptibles de s'user, ainsi que le nettoyage, l'entretien ou la réparation desdites pièces ne sont pas couverts par la garantie et doivent donc être payés.

APPAREIL RESPECTUEUX DE L'ENVIRONNEMENT



Recyclage – Directive européenne 2012/19/EU

Ce symbole indique que le produit ne doit pas être jeté avec les ordures ménagères. Pour limiter les risques pour l'environnement et la santé entraînés par le rejet non contrôlé des déchets, recyclez ce dernier pour promouvoir une réutilisation responsable de ses matériaux. Pour recycler votre produit, utilisez les réseaux de collecte de votre région ou prenez contact avec le revendeur

du produit. Ce dernier pourra vous aider à le recycler.

Emerio Switzerland AG
Oberneuhofstrasse 1
6340 Baar
Switzerland

ISTRUZIONI DI SICUREZZA

Prima dell'uso, accertarsi di aver letto tutte le istruzioni riportate di seguito per evitare lesioni o danni e ottenere i migliori risultati dall'apparecchio. Conservare questo manuale in un luogo sicuro. In caso di passaggio di proprietà dell'apparecchio, includere anche questo manuale di istruzioni.

In caso di danni causati dal mancato rispetto delle istruzioni riportate in questo manuale, la garanzia sarà annullata. Il costruttore/importatore declina ogni responsabilità per danni causati dal mancato rispetto del manuale o da un uso negligente o non conforme con i requisiti riportati in questo manuale.

1. Questo apparecchio può essere usato da bambini di età superiore a 8 anni e da persone con ridotte capacità fisiche, sensoriali o mentali o prive di esperienza o conoscenza, solo se supervisionati o istruiti sull'uso sicuro dell'apparecchio e se comprendono i rischi correlati.
2. I bambini non devono giocare con l'apparecchio.
3. Le operazioni di pulizia e manutenzione ordinaria non devono essere effettuate da bambini a meno che non abbiano almeno 8 anni e siano supervisionati.
4. Tenere l'apparecchio e il cavo di alimentazione fuori dalla portata dei bambini di età inferiore a 8 anni.
5. Per motivi di sicurezza, se il cavo di alimentazione è danneggiato deve essere sostituito dal fabbricante, dal suo centro di assistenza o da un tecnico qualificato.
6. Per le istruzioni relative alla pulizia delle superfici a contatto con olio o alimenti, fare riferimento al paragrafo " PULIZIA E MANUTENZIONE " del manuale.
7. Questo apparecchio non è progettato per essere attivato tramite timer esterni o telecomandi separati.
8. Prima di collegare la spina alla presa di corrente, verificare che il voltaggio e la frequenza siano conformi alle

specifiche riportate sulla targa dell'apparecchio.

9. Collegare l'apparecchio a una presa di corrente dotata di messa a terra.
10. Scollegare la spina dalla presa di corrente quando l'apparecchio non è in uso e prima di pulirlo.
11. Eventuali prolunghe elettriche utilizzate devono essere adatte al consumo di energia dell'apparecchio per evitare il surriscaldamento della prolunga e/o della spina. Prestare attenzione a non inciampare sulla prolunga per evitare il rischio di lesioni. Prestare attenzione a evitare situazioni di pericolo.
12. Assicurarsi che il cavo di alimentazione non penda da bordi appuntiti e tenerlo lontano da oggetti caldi e fiamme libere.
13. Non immergere l'apparecchio o la spina in acqua o altri liquidi. Pericolo di morte a causa delle scosse elettriche!
14. Per scollegare la spina dalla presa di corrente, tirare la spina e non il cavo.
15. Non toccare l'apparecchio se è caduto nell'acqua. Scollegare la spina dalla presa di corrente, spegnere l'apparecchio e inviarlo a un centro di assistenza autorizzato per la riparazione.
16. Non collegare o scollegare l'apparecchio dalla presa di corrente con le mani bagnate.
17. Non tentare mai di aprire l'involucro dell'apparecchio o di riparare l'apparecchio per evitare il rischio di scossa elettrica.
18. Non lasciare mai l'apparecchio incustodito quando è in funzione.
19. Questo apparecchio non è progettato per l'uso commerciale.
20. Non usare l'apparecchio per scopi diversi da quelli previsti.
21. Non avvolgere il cavo intorno all'apparecchio e non piegarlo.

22. Collocare l'apparecchio su una superficie stabile e piana da cui non possa cadere.
23. Evitare l'esposizione dell'apparecchio a sporcizia e umidità eccessive.
24. Pulire il prodotto con un panno leggermente umido.
25. Non lasciare l'apparecchio in funzione senza supervisione; se è necessario allontanarsi, spegnerlo o scollegare la spina dalla presa di corrente (tirare la spina e non il cavo).
26. Non posizionare l'apparecchio contro una parete o altri apparecchi. Lasciare almeno 10 cm di spazio libero sul retro, sopra e intorno all'apparecchio.
27. Durante la frittura ad aria calda, dalle aperture di uscita dell'aria verrà emesso del vapore caldo. Tenere le mani e il viso a una distanza di sicurezza dal vapore e dalle aperture di uscita dell'aria. Inoltre, prestare attenzione all'aria e al vapore caldo durante la rimozione del cestello dall'apparecchio.
28. Scollegare immediatamente l'apparecchio dalla presa di corrente se l'apparecchio emette del fumo scuro. Attendere che l'emissione di fumo si arresti prima di rimuovere il cestello dall'apparecchio.
29. Prima di ogni utilizzo, assicurarsi che l'elemento riscaldante e l'area circostante siano puliti e privi di residui alimentari per garantire un funzionamento ottimale.



30.  Attenzione! Superficie calda.

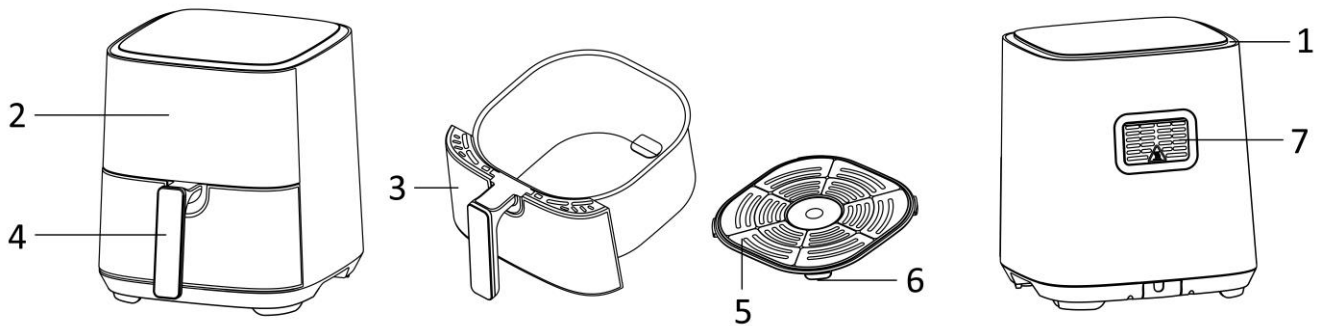
AVVERTENZA! Non toccare la superficie mentre l'apparecchio è in funzione. La temperatura delle superfici accessibili può essere elevata quando l'apparecchio è in funzione.

31. L'aria calda fuoriesce dall'apertura di ventilazione situata sul lato posteriore dell'apparecchio. Mantenere

un'adeguata distanza dal vetro e altri materiali sensibili al calore.

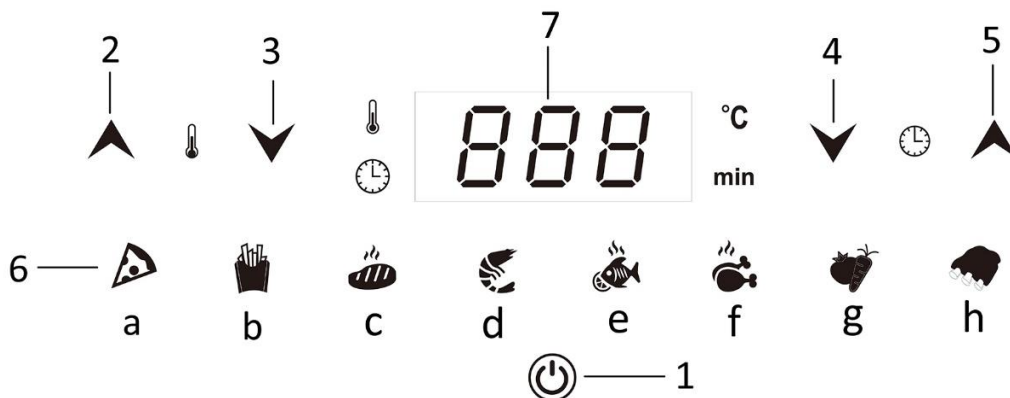
32. Se si utilizzano prodotti con superfici non aderenti, accertarsi che non siano presenti uccelli e che il locale possa essere completamente chiuso e ben ventilato.

DESCRIZIONE DELLE PARTI



1. Apertura di ingresso dell'aria
2. Pannello di controllo e display
3. Cestello
4. Impugnatura del cestello
5. Griglia di frittura
6. Piedino in silicone
7. Apertura di uscita dell'aria

Pannello di controllo e display



1. Pulsante di avvio/arresto
2. Pulsante di regolazione della temperatura ("+")
3. Pulsante di regolazione della temperatura ("-")
4. Pulsante di regolazione del timer ("-")
5. Pulsante di regolazione del timer ("+")
6. Pulsanti dei menu (elencati di seguito)
7. Display del timer e della temperatura

Menu:

- a) pizza, b) patatine, c) bistecca, d) gamberi,
e) pesce, f) cosce di pollo, g) verdura, h) costolette

Impostazioni predefinite dei menu (è possibile modificarle in base ai gusti personali)

Alimenti	Pizza	Patatine	Bistecca	Gamberi	Pesce	Cosce di pollo	Verdura	Costolette
Temperatura di cottura (°C)	200	200	180	180	180	180	180	180
Tempo di cottura (minuti)	8	22	18	12	14	21	15	20

OPERAZIONI PRELIMINARI

Leggere tutte le istruzioni prima dell'uso e conservarle per riferimento futuro. Collegare l'apparecchio esclusivamente a una presa di corrente dotata di messa a terra. Prima del primo utilizzo, rimuovere i materiali di imballaggio. Lavare il cestello e la griglia di frittura. (consultare la sezione "PULIZIA E MANUTENZIONE"). Pulire l'interno e l'esterno dell'apparecchio con un panno morbido. Accertarsi che le parti elettriche rimangano asciutte. **Questo apparecchio riscalda gli alimenti in tutte le direzioni, e la maggior parte degli ingredienti non necessita di olio.**

Prima del primo utilizzo, lasciare in funzione l'apparecchio per circa 10 minuti per bruciare i residui di fabbricazione. Accertarsi di mantenere una buona ventilazione. Alla prima accensione, l'apparecchio potrebbe emettere del fumo e un leggero odore. È un fenomeno normale che scomparirà presto.

Nota: usare la griglia di frittura sempre insieme ai piedini in silicone. I supporti stabilizzano la griglia nel cestello durante la cottura.

FUNZIONAMENTO

1. Posizionare l'apparecchio su una superficie stabile, asciutta e resistente al calore.
2. Poiché l'apparecchio diventa caldo quando è in funzione, assicurarsi che non si trovi troppo vicino ad altri oggetti.
3. Estrarre il cestello dall'apparecchio usando l'impugnatura del cestello. Inserire la griglia di frittura nel cestello.
4. Disporre gli ingredienti nel cestello. Inserire il cestello nell'apparecchio. Assicurarsi che sia posizionato correttamente; in caso contrario l'apparecchio non funzionerà. Attenzione! Non toccare il cestello durante o immediatamente dopo l'uso perché diventa molto caldo. Per spostare il cestello, toccare esclusivamente l'impugnatura.
5. Collegare il cavo di alimentazione a una presa di corrente. L'apparecchio emetterà un segnale acustico ed entrerà in standby. Premere il pulsante di avvio/arresto per visualizzare il pannello di controllo.
6. Premere il pulsante di regolazione della temperatura "+" "-" per impostare la temperatura desiderata (da 80°C a 200°C). Premere il pulsante di regolazione del timer per impostare il tempo di cottura (1 - 60 minuti). È possibile tenere premuti i pulsanti di regolazione per velocizzare la selezione.
7. È anche possibile premere direttamente il pulsante del menu per selezionare direttamente le funzioni di cottura nel menu. Per modificare leggermente il tempo e la temperatura di cottura, procedere come descritto al passaggio 6. L'icona del menu selezionato lampeggerà. Per cambiare la selezione del menu mentre l'apparecchio è in funzione, premere prima il pulsante di avvio/arresto per mettere in pausa.
8. Premere una volta il pulsante di avvio/arresto; l'apparecchio entra in funzione e il pulsante di avvio/arresto lampeggia. Sul display verrà visualizzata la temperatura e il tempo di cottura impostati. Premere nuovamente il pulsante di avvio/arresto per mettere in pausa. Se non viene premuto alcun pulsante entro 1 minuto dall'interruzione della cottura, l'apparecchio entrerà automaticamente in standby ed emetterà 3 segnali acustici.
9. Al termine della cottura, la scritta "OFF" compare sul display e dopo pochi secondi la ventola si arresta. È anche possibile spegnere manualmente l'apparecchio premendo il pulsante di avvio/arresto per 3 secondi: 1) Se l'apparecchio è in funzione, la scritta "OFF" compare sul display e l'apparecchio entra in standby dopo pochi secondi; 2) se l'apparecchio è in fase di impostazione, entrerà direttamente in standby.
10. Estrarre il cestello dall'apparecchio usando l'impugnatura del cestello. Controllare se gli alimenti sono pronti. In caso contrario, reinserire il cestello nell'apparecchio. Impostare nuovamente la temperatura e il tempo di cottura, quindi premere il pulsante di avvio/arresto per riavviare la cottura. **NOTA:** è anche possibile estrarre e scuotere il cestello durante il processo di cottura per controllare gli alimenti. Dopo aver reinserito il cestello, l'apparecchio riprenderà a funzionare con le impostazioni correnti.
11. Svuotare il cestello e trasferire gli alimenti su un piatto o in un recipiente. Per rimuovere gli alimenti più grandi o fragili, usare un paio di pinze per estrarli dal cestello.
Per rimuovere gli alimenti che perdono succhi durante la frittura (ad esempio manzo, pollo, carne o alimenti contenenti olio), raccogliarli uno alla volta con un paio di pinze.

Per rimuovere gli alimenti che non perdono succhi durante la frittura (ad esempio patatine, verdura o alimenti che non contengono olio), estrarre il cestello e versarli su un piatto.

12. Al termine della cottura l'apparecchio è subito pronto per la cottura di altri alimenti.

SUGGERIMENTI DI FRITTURA

1. La quantità ottimale per ottenere patatine croccanti è 750 grammi.
2. Aggiungere 3 minuti al tempo di cottura quando l'apparecchio è freddo; in alternativa, lasciare che l'apparecchio si riscaldi per circa 4 minuti senza alimenti.
3. Alcuni alimenti devono essere scossi a metà cottura. Per scuotere o voltare gli alimenti, estrarre il cestello dall'apparecchio usando l'impugnatura e scuoterli o voltarli usando una forchetta o un paio di pinze. Quindi reinserire il cestello nell'apparecchio.
4. È possibile usare la friggitrice anche per riscaldare gli alimenti. Per riscaldare gli alimenti, impostare la temperatura a 150°C per un massimo di 10 minuti.
5. Gli alimenti impanati diventeranno più croccanti se spruzzati con un po' di olio vegetale.
6. Posizionare una teglia o un piatto da forno nell'apparecchio se si desidera cuocere una torta, una quiche o altre preparazioni fragili.
7. L'apparecchio non è adatto alla cottura di alimenti particolarmente grassi (ad es. salsicce).

AVVERTENZE

1. Non immergere l'apparecchio nell'acqua e non risciacquarlo sotto acqua corrente.
2. Evitare l'infiltrazione di liquidi all'interno dell'apparecchio per evitare il rischio di scossa elettrica o corto circuito.
3. Mantenere tutti gli ingredienti nel cestello per evitare che entrino a contatto con gli elementi riscaldanti.
4. Non coprire le aperture e le uscite dell'aria quando l'apparecchio è in funzione. Lasciare almeno 10 cm di spazio libero sopra e intorno all'apparecchio.
5. Non riempire il cestello con olio per evitare il rischio di incendio!
6. Non toccare l'interno dell'apparecchio quando è in funzione.
7. Prestare attenzione alla fuoriuscita di aria calda e vapore durante la rimozione del cestello dall'apparecchio.
8. Durante il funzionamento, del vapore fuoriuscirà dall'uscita dell'aria. Tenere le mani e il viso a una distanza di sicurezza dal vapore e dall'uscita dell'aria.
9. Spegnerne immediatamente l'apparecchio e scollegarlo dalla presa di corrente se emette del fumo scuro: ciò significa che gli alimenti sono troppo cotti o che l'apparecchio non funziona correttamente.

TABELLA DI FRITTURA

La tabella seguente illustra la quantità di alimenti e la temperatura e il tempo di frittura necessari. Se le istruzioni sulla confezione sono diverse dai valori riportati in questa tabella, seguire le istruzioni sulla confezione.

Alimento	Quantità minima-massima (g)	Tempo (minuti)	Temperatura (°C)	Voltare	Note
Patatine	600-900	18-25	200	Voltare	
Costine	350-450	15-20	180	Voltare	
Gamberi	150-250	12-20	180	Voltare	
Torta	550-650 8/10 tazze	20-30	160		
Cosce di pollo	700-900 10-13 pz	20-25	180	Voltare	Aggiungere 1/2 cucchiaino di olio
Bistecca di manzo	450 3-5 pz	15-25	180	Voltare	Aggiungere 1/2 cucchiaino di olio
Pesce	200-300	14-20	180	Voltare	

PULIZIA E MANUTENZIONE

1. Prima di toccare o pulire l'apparecchio, lasciarlo raffreddare per circa 30 minuti. Pulire regolarmente le superfici interne ed esterne dell'apparecchio.
2. Pulire le superfici esterne ed interne dell'apparecchio con un panno umido e un panno asciutto.
3. Non usare detersivi o spugne abrasivi.
4. Per accelerare il raffreddamento dell'apparecchio, rimuovere il cestello. Lavare il cestello e la griglia di frittura con acqua calda saponata e una spugna non abrasiva. Asciugare accuratamente.

Nota: La griglia di frittura è lavabile in lavastoviglie.

RISOLUZIONE DEI PROBLEMI

Problema	Possibile causa	Soluzione
L'apparecchio non funziona.	L'apparecchio non è collegato alla presa di corrente.	Collegare il cavo di alimentazione a una presa di corrente dotata di messa a terra.
	Non è stato premuto il pulsante di avvio/arresto per avviare l'apparecchio.	Premere il pulsante di avvio/arresto per avviare l'apparecchio.
Gli ingredienti non sono completamente fritti.	La quantità di alimenti nel cestello è eccessiva.	Inserire quantità minori di alimenti nel cestello. Porzioni piccole vengono fritte in modo più omogeneo.
	La temperatura è troppo bassa o il tempo di cottura è insufficiente.	Aumentare la temperatura o il tempo di cottura.
Gli ingredienti non sono cotti in modo omogeneo.	Alcuni alimenti devono essere scossi a metà cottura.	Scuotere gli alimenti a metà cottura.
Gli snack fritti non sono croccanti.	Alcuni snack devono essere cotti in una friggitrice tradizionale.	Usare snack da forno o spennellare gli snack con un po' di olio per un risultato più croccante.
Dall'apparecchio fuoriesce del fumo bianco.	Gli ingredienti contengono grassi.	Durante la frittura di alimenti grassi, i succhi di cottura coleranno nel cestello. Tali succhi producono del fumo bianco, e il cestello potrebbe scaldarsi; è un fenomeno normale che non ha conseguenze sui risultati di cottura o sul funzionamento dell'apparecchio.
	Il cestello contiene residui di grasso della cottura precedente.	Pulire la vasca correttamente dopo ogni utilizzo.
Le patatine fritte fresche non sono cotte in modo omogeneo.	Il tipo di patata utilizzato non è adatto.	Usare patate fresche.
	Le patatine non sono state risciacquate correttamente prima della frittura.	Risciacquare le patatine correttamente per rimuovere l'amido dalla superficie esterna.
Le patatine fritte fresche non sono croccanti.	La croccantezza delle patatine dipende dal loto contenuto di olio e acqua.	Assicurarsi che le patatine siano state asciugate correttamente prima di aggiungere l'olio.
		Ridurre le dimensioni delle patatine per un risultato più croccante.
		Aggiungere un po' più di olio per un risultato più croccante.

DATI TECNICI

Voltaggio di esercizio: 220-240V ~ 50-60Hz

Consumo di energia: 1450W

GARANZIA E SERVIZIO DI ASSISTENZA

Prima della fornitura, i nostri apparecchi vengono sottoposti ad un severo controllo di qualità. Se, nonostante la massima cura, si sono verificati danni durante la produzione o il trasporto, si prega di restituire l'apparecchio al rivenditore.

Concediamo 2 anni di garanzia sull'apparecchio acquistato; il periodo di garanzia inizia dal giorno dell'acquisto. In caso di apparecchio difettoso, rivolgersi direttamente al rivenditore.

I difetti derivanti da un uso scorretto dell'apparecchio e le malfunzioni dovute all'intervento o alla riparazione da parte di terzi o alla sostituzione di componenti con ricambi non originali non sono coperti da questa garanzia. Conservare sempre lo scontrino, senza il quale non è possibile far valere la garanzia. I danni dovuti al non rispetto del manuale di istruzioni rendono nulla la garanzia; se ciò porta a conseguenti danni non potremmo essere ritenuti responsabili. Decliniamo inoltre qualsiasi responsabilità per eventuali danni o lesioni personali causati da un uso improprio o in caso di mancata aderenza al manuale di istruzioni. Eventuali danni agli accessori non implicano la sostituzione gratuita dell'intero apparecchio. In tal caso, contattare il reparto di assistenza. La rottura di componenti in vetro o plastica è sempre soggetta a un costo. I difetti ai componenti di consumo o a componenti soggetti a usura, compresa la pulizia, manutenzione, sostituzione o le spese di spedizione e di trasporto verso il luogo di riparazione e ritorno. degli stessi, non sono coperti dalla garanzia e saranno soggetti a un costo.

SMALTIMENTO ECOCOMPATIBILE



Riciclaggio – Direttiva europea 2012/19/EU

Questo simbolo indica che il prodotto non deve essere smaltito con altri rifiuti domestici. Per prevenire rischi all'ambiente o alla salute da uno smaltimento non controllato, riciclare responsabilmente per promuovere un riutilizzo sostenibile delle risorse materiali. Per restituire il dispositivo utilizzato, servirsi dei sistemi di restituzione e raccolta o contattare il proprio rivenditore

autorizzato dove il prodotto è stato acquistato. Il rivenditore autorizzato si occuperà dello smaltimento sicuro del prodotto.

Emerio Switzerland AG
Oberneuhofstrasse 1
6340 Baar
Switzerland