

EMERIO®

AF-12672.4



®

**Smart Fryer**

*(EN)*

*(DE)*

*(FR)*

*(SE)*

*(NL)*

*(PL)*

*(ES)*

CE

# Content – Inhalt – Teneur - Innehåll – Inhoud – Treść – Contenido

Instruction manual – English .....	- 2 -
Bedienungsanleitung – German .....	- 9 -
Mode d'emploi – French .....	- 17 -
Bruksanvisning – Swedish .....	- 25 -
Gebruiksaanwijzing – Dutch .....	- 32 -
Instrukcja obsługi – Polish .....	- 40 -
Manual de Instrucciones – Spanish .....	- 47 -

## Instruction manual – English

### SAFETY INSTRUCTIONS

Before use make sure to read all of the below instructions in order to avoid injury or damage, and to get the best results from the appliance. Make sure to keep this manual in a safe place. If you give or transfer this appliance to someone else make sure to also include this manual.

In case of damage caused by user failing to follow the instructions in this manual the warranty will be void. The manufacturer/importer accepts no liability for damages caused by failure to follow the manual, a negligent use or use not in accordance with the requirements of this manual.

1. This appliance can be used by children aged from 8 years and above and persons with reduced physical, sensory or mental capabilities or lack of experience and knowledge if they have been given supervision or instruction concerning use of the appliance in a safe way and understand the hazards involved.
2. Children shall not play with the appliance.
3. Cleaning and user maintenance shall not be made by children unless they are older than 8 and supervised.
4. Keep the appliance and its cord out of reach of children less than 8 years.
5. If the supply cord is damaged, it must be replaced by the manufacturer, its service agent or similarly qualified persons in order to avoid a hazard.
6. Regarding the instructions for cleaning the surfaces which come in contact with food or oil, please refer to the paragraph “cleaning and maintenance” of the manual.
7. This appliance is not intended to be operated by means of an external timer or separate remote-control system.
8. This appliance is intended to be used in household and similar applications such as: staff kitchen areas in shops, offices and other working environments; farm houses; by clients in hotels, motels and other residential type environment; bed and breakfast type environments.
9. Before inserting the plug into the mains socket, please check that the voltage and frequency comply with the specifications on the rating label.
10. Disconnect the mains plug from the socket when the appliance is not in use and before cleaning.
11. If an extension cord is used it must be suited to the power consumption of the appliance, otherwise overheating of the extension cord and/or plug may occur. There is a potential risk of injuries from tripping over the extension cord. Be careful to avoid dangerous situations.
12. Ensure that the mains cable is not hung over sharp edges and keep it away from hot objects and open flames.
13. Do not immerse the appliance or the mains plug in water or other liquids. There is danger to life due to electric shock!
14. To remove the plug from the plug socket, pull the plug. Do not pull the power cord.
15. Do not touch the appliance if it falls into water. Remove the plug from its socket, turn off the appliance and send it to an authorized service center for repair.
16. Do not plug or unplug the appliance from the electrical outlet with a wet hand.
17. Never attempt to open the housing of the appliance, or to repair the appliance yourself. This could cause electric shock.
18. Never leave the appliance unattended during use.
19. This appliance is not designed for commercial use.
20. Do not use the appliance for other than intended use.
21. Do not wind the cord around the appliance and do not bend it.
22. Place the appliance on a stable, level surface from which it cannot fall off.
23. Please prevent the product to be exposed to excessive dirt and humidity.
24. Clean the product itself with a slightly damp cloth.

25. Do not operate the machine without supervision, if you should leave the workplace, always switch the machine off or remove the plug from socket (pull the plug itself, not the lead).
26. Do not place the appliance against a wall or against other appliance. Leave at least 10cm free space on the back and sides and above the appliance.
27. During hot air frying, hot steam is released through the air outlet openings. Keep your hands and face at a safe distance from the steam and from the air outlet openings. Also be careful of hot steam and air when you remove the pan from the appliance.
28. Immediately unplug the appliance if you see dark smoke coming out of the appliance. Wait for the smoke emission to stop before you remove the pan from the appliance.
29. Make sure before each use of the appliance that the heating element and surroundings are clean and clear from any food remainders in order to ensure a flawless function.



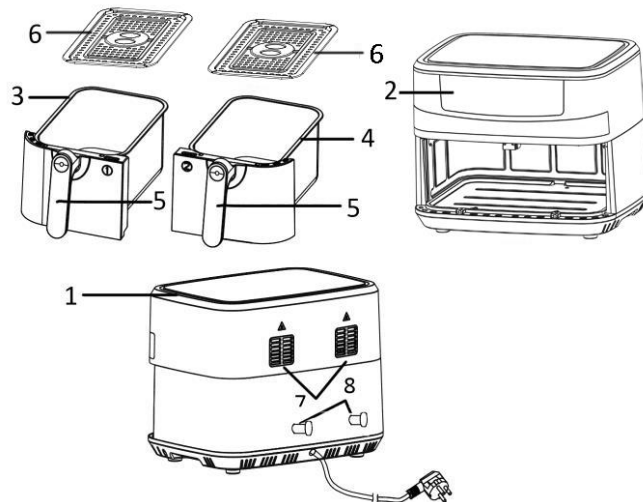
30. Caution, hot surface.

**WARNING!!** Please do not touch surface while in use. The temperature of accessible surfaces may be high when the appliance is operating.

31. Hot air comes out of the air vent at the back side of the appliance. Be sure to keep sufficient distance to materials, like glass, that are sensitive to heat.
32. If you use products with non-stick surfaces, please make sure no birds are in the same room and that the room can be completely closed off and well-ventilated.
33. Always remove baking paper from the basket after use and before/ during preheating without food.

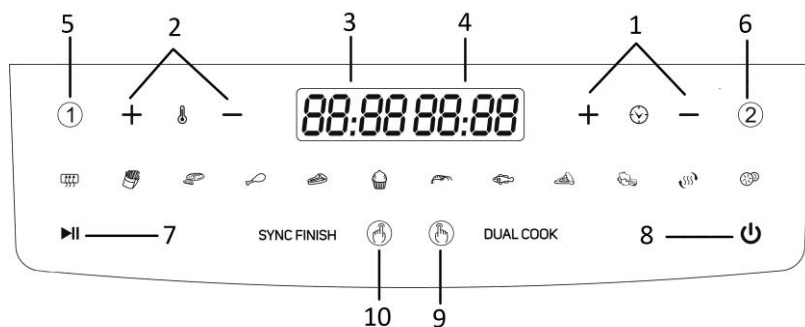
#### PARTS DESCRIPTION

1. Air inlet
2. Control panel and display
3. Basket 1
4. Basket 2
5. Basket handle
6. Frying grill
7. Air outlet
8. Power cord storage place



#### Control panel and display

1. Timer control (Press “+” or “-” to adjust the time from 1 to 60 minutes)
2. Temperature control (Press “+” or “-” to adjust the temperature from 50°C to 200°C)
3. Timer and temperature display for basket 1
4. Timer and temperature display for basket 2
5. Button 1 for basket 1
6. Button 2 for basket 2
7. Pause / start button
8. Standby / cancel button
9. Dual cook button
10. Sync finish button



### Menu buttons

menu	Default time (min)	Default temperature (°C)
Pre-heat	3	180
French fries	18	200
Meat	12	200
Drumsticks	20	200
Steak	12	180
Cake	25	160
Shrimp	8	180
Fish	10	180
Pizza	20	180
Vegetable	10	160
Reheat	15	150
Dehydrate	360 (Adjustable time: 0.5 hour to 24 hours)	60

### BEFORE USE

First read all instructions before use and retain the manual for later reference. Only plug this appliance into an earthed socket. Before first use, remove the packing materials. Clean the baskets and frying grills. (See “cleaning and maintenance”) Wipe inside and outside of the appliance with a soft cloth. Make sure that the electrical parts remain dry. **This appliance heats food at all directions and most of the ingredients do not need any oil.**



Operate the appliance before first use for approximately 10 minutes in order to burn off production residues. Make sure there is good ventilation. The appliance may emit some smoke and a characteristic smell when you switch it on for the first time. This is normal and will stop soon.

**Note:** Always use the frying grill with the silicone feet attached. They will help to stabilize the frying grill in the basket during cooking.

### USE

1. Place the appliance on a dry, stable and heat-resistant surface.
2. Since the appliance becomes hot during use, make sure that it is not too close to other objects.
3. Pull out the basket from the appliance by the basket handle. Put the frying grill into the basket.
4. Place the ingredients into the basket. (Do not exceed the MAX level indicated inside the basket.) Slide the basket into the appliance. Make sure they are placed correctly and closed completely.

Caution: Do not fill the basket with oil or any other liquid. Do not touch the basket during use or after use in short time as it gets very hot. Only hold the basket by the handle.

5. Connect the power plug to a suitable outlet. The machine is now standby. Press the standby button , all icons will display in the control panel.
6. Press the button 1, then press the menu buttons to choose the cooking function and adjust the time and temperature for basket 1; you can press "+" or "-" to adjust the time (1 minutes / press) and temperature (10 degrees / press). You can also long press "+" or "-" for rapid adjustment.
7. Press the button 2, then press the menu buttons to choose the cooking function and adjust the time and temperature for basket 2.
8. Press the pause/start button; the appliance will start working. The basket with less working time will finish first.
9. When the cooking process is finished, the appliance will stop working with beep sound. You can also manually turn off the appliance by pressing the button .  
During operation, you can press the pause button to pause the program, and press it again to continue the program.
10. Pull out the basket from the appliance by the basket handle. Check if the ingredients are ready. If not, simply slide the basket back into the appliance. Select the menu to set the temperature and the timer to a few extra minutes. Then press the pause/start button to run the appliance again. NOTE: You can also pull out the basket to check and shake the ingredients during cooking process.
11. To remove ingredients (e.g. beef, chicken, meat) with original oil and will have excess oil collected on the bottom of the basket during frying, please use tongs to pick ingredients one by one;  
To remove ingredients (e.g. chips, vegetable) with no excess oil collected on the bottom of the basket during frying, please pull out the basket, and pour ingredients to tableware.  
Note: The basket and the ingredients are hot after frying. Depending on the type of the ingredients in the appliance, steam may escape from the pan.
12. After the cooking is done, the appliance is instantly ready for preparing another batch of ingredients if needed.


### Sync finish function

- 1) Press the "SYNC FINISH" button, the icon will blink.
- 2) Press the button 1 to set a cooking program for basket 1;
- 3) press the button 2 to set a cooking program for basket 2.
- 4) Press the pause/start button; the zone with more working time will start first. Another zone with less working time will start later. Both zones will finish working together.

### Dual cook function

- 1) Press the "DUAL COOK" button, then press the menu buttons to choose the cooking function and adjust the time and temperature for both zones. They will work on the same program.
- 2) Press the pause / start button; the appliance starts working.

### Pre-heat Function

Press button , and then press "+" or "-" to adjust the temperature (50°C to 200°C) and time (1 to 60 minutes) required for pre-heating.

### Note:

- 1) The menu buttons, timer and temperature buttons can only be adjusted while button 1, button 2 or dual cook button is blinking.

- 2) For small quantities of food, you can cook with only one basket. Select a program for that basket, and then press the pause/start button.
- 3) When cooking in both zones, more cooking time will be needed.

#### FRYING TIPS

1. The optimal amount for crispy fries is 450-600 grams for each basket.
2. Add 3 more minutes to the preparation time when the appliance is cold, or you can also let the appliance preheat approx. 4 minutes without any ingredients inside.
3. Some ingredients require shaking halfway through the preparation time. To shake or turn over the ingredients, pull the basket out of the appliance by the handle and shake it or turn over the ingredients by fork (or tongs). Then slide the basket back into the appliance.
4. You can also use the fryer to reheat ingredients. To reheat ingredients, set the temperature to 150°C for up to 10 minutes.
5. Products with crust of dry breadcrumbs will get crispier by spraying them with a little vegetable oil.
6. Place a baking tin or an oven dish in the appliance if you want to bake a cake or quiche or other fragile ingredients.
7. Do not prepare extremely greasy ingredients such as sausages in the appliance.

#### CAUTION:

1. Do not immerse the housing in water or rinse it under the tap.
2. Avoid any liquid entering the appliance to prevent from electric shock or short circuit.
3. Keep all ingredients in the basket to prevent any contact with heating elements.
4. Do not cover the air inlet and the outlet when the appliance is working. Leave at least 10cm free space around and above the appliance.
5. Filling the basket with oil may cause a fire hazard!
6. Do not touch the inside of the appliance when it is in operation.
7. Be careful of the hot steam and air when you remove the basket from the appliance.
8. During operation, hot steam is released through the air outlet. Keep your hands and face at a safe distance from the steam and the air outlet.
9. Immediately turn off and unplug the appliance if you see any dark smoke coming out of the appliance, which means the food is overcooked or the appliance broke down.

#### FRYING TABLE

If the instructions on the product pack should deviate from the values shown in this table, the instructions on the pack should be followed. Add 3 minutes to the preparation time before you start frying if the appliance is cold.

Ingredient	Amount per zone (g)	Tem. (°C)	Time (min.)		Extra information
			Single zone	Dual zone	
Carrots	450	200	13-16	25-30	Add 1 tbsp of oil
Green beans	350	200	8-10	10-15	Add 1 tbsp of oil
Mushrooms	250	200	7-9	13-15	Add 1 tbsp of oil
Shrimp	450	180	7-10	10-13	Add 1 tbsp of oil
Steaks	250	180	10-20	14-28	Brushed with oil
French fries	450	200	15-22	28-32	
Chicken breasts	300	200	22-24	25-28	Brushed with oil
Pork chops	250	200	14-17	17-25	Brushed with oil
Chicken nuggets	350	200	10-13	18-21	
Pizza rolls	550	200	12-15	15-18	
Onion rings	300	190	13-16	18-22	

## CLEANING AND MAINTENANCE

1. Before handling or cleaning the appliance, let it cool down for approximately 30 minutes. Clean the appliance on all the inside and outside regularly.
2. Clean the outside and inside of the appliance with a damp cloth and dry with a soft, clean cloth.
3. Never use abrasive cleaners or sponges.
4. Remove the basket to let the appliance cool down more quickly. Clean the baskets and frying grills in hot water with a washing liquid and a non-abrasive sponge. Dry well before use.
5. Clean the heating element inside of the housing (You can see it after pull out the basket) with a cleaning brush to remove any food residues.

Note: The baskets and frying grills are dishwasher safe.

## TROUBLE SHOOTING

Problem	Possible cause	Solution
<b>The appliance does not work.</b>	The appliance is not plugged in.	Put the mains plug in an earthed wall socket.
	You have not pressed the pause / start button to turn on the machine.	Press the button to turn on the appliance.
<b>The ingredients are not fried completely.</b>	The amount of the food in the basket is too high.	Put smaller batches of ingredients in the basket. Smaller batches are fired more evenly.
	The temperature is too low or the time is not enough.	Press “+” to adjust the temperature to the required temperature or cook extra time.
<b>The ingredients are fried unevenly.</b>	Different types of food may need to be shaken halfway during cooking.	Shake food halfway during the cooking time.
<b>Fried snacks are not crispy</b>	You used a type of snacks which shall be cooked in a traditional deep fryer.	Use oven snacks or lightly brush some oil onto the snacks for a crisper result.
<b>White smoke comes out from the appliance.</b>	You are preparing greasy ingredients.	Pay attention that the temperature is well-controlled to be under 180°C, when you fry greasy ingredients in the air fryer.
	The pan still contains grease residues from previous use.	Clean the pan properly after each use.
<b>Fresh fries are fried unevenly.</b>	Haven't use the right potato type.	Use fresh potatoes and make sure that they stay firm during frying
	Haven't rinse the potato sticks properly before frying.	Rinse the potato sticks properly to remove starch from the outside of the sticks.
<b>Fresh fries are not crispy</b>	The crispiness of the fries depends on the amount of oil and water in the fries	Make sure the potato sticks have been dried properly before adding the oil.
		Cut the potato sticks smaller for a crispier result
		Add slightly more oil for a crisper result

## TECHNICAL DATA

Operating voltage: 230V~ 50-60Hz

Power: 2400W

## GUARANTEE AND CUSTOMER SERVICE

Before delivery our devices are subjected to rigorous quality control. If, despite all care, damage has occurred during production or transportation, please return the device to your dealer.

For the purchased device we provide 2 years guarantee, commencing from the day of sale. If you have a defective product, you can directly go back to the point of purchase.

Defects which arise due to improper handling of the device and malfunctions due to interventions and repairs by third parties or the fitting of non-original parts are not covered by this guarantee. Always keep your receipt,



without the receipt you can't claim any form of warranty. Damage caused by not following the instruction manual, will lead to a void of warranty, if this results in consequential damages then we will not be liable. Neither can we hold responsible for material damage or personal injury caused by improper use if the instruction manual is not properly executed. Damage to accessories does not mean free replacement of the whole appliance. In such case please contact our service department. Broken glass or breakage of plastic parts is always subject to a charge. Defects to consumables or parts subjected to wearing, as well as cleaning, maintenance or the replacement of said parts are not covered by the warranty and are to be paid.



The crossed out wheeie bin symbol means that this product shall not be disposed of with normal household waste. Electronic and Electrical Equipment not included in the selective sorting process are potentially dangerous for the environment and human health due to the presence of hazardous substances. Please dispose of responsibly at an approved waste or recycling facility.

Emerio B.V.  
Oudeweg 115  
2031 CC Haarlem  
The Netherlands

**Customer service:**  
T: +31 (0) 23 3034369  
[www.emerio.eu/service](http://www.emerio.eu/service)

**Kundeninformation:**  
T: +49 (0) 3222 1097 600  
[www.emerio.eu/service](http://www.emerio.eu/service)

**Klantenservice:**  
T: +31 (0) 23 3034369  
[www.emerio.eu/service](http://www.emerio.eu/service)

Looking for spare parts? Have a look at <https://spareparts.emerio.eu>  
Sie brauchen Ersatzteile? Besuchen Sie <https://ersatzteile.emerio.eu>  
Onderdelen nodig? Kijk op <https://onderdelen.emerio.eu>



CUSTOMER SERVICE



SPARE PARTS

## Bedienungsanleitung – German

### SICHERHEITSHINWEISE

Lesen Sie vor dem Gebrauch unbedingt die nachfolgenden Anleitungen, um Verletzungen oder Beschädigungen zu vermeiden und das beste Ergebnis mit dem Gerät zu erzielen. Bewahren Sie diese Bedienungsanleitung an einem sicheren Ort auf. Wenn Sie dieses Gerät an eine andere Person weitergeben, stellen Sie sicher, dass Sie auch diese Bedienungsanleitung aushändigen.

Im Falle von Beschädigungen, die durch die Missachtung der Anleitungen in dieser Bedienungsanleitung verursacht wurden, wird die Garantie ungültig. Der Hersteller/Importeur haftet nicht für Schäden, die durch Missachtung der Bedienungsanleitung, fahrlässigen Gebrauch oder Benutzung, die nicht in Übereinstimmung mit den Anforderungen dieser Bedienungsanleitung erfolgt, verursacht wurden.

1. Dieses Gerät kann von Kindern ab 8 Jahren und Personen mit eingeschränkten körperlichen, sensorischen oder geistigen Fähigkeiten oder mangelnder Erfahrung und Kenntnis benutzt werden, wenn sie beaufsichtigt werden oder in die sichere Benutzung des Gerätes unterwiesen werden und die damit verbundenen Gefahren verstehen.
2. Kinder dürfen nicht mit dem Gerät spielen.
3. Die Reinigung und vom Benutzer auszuführende Wartungsarbeiten sollten nicht von Kindern durchgeführt werden; es sei denn, sie sind älter als 8 Jahre und werden beaufsichtigt.
4. Halten Sie das Gerät und sein Netzkabel außer Reichweite von Kindern unter 8 Jahren.
5. Wenn das Netzkabel beschädigt ist, muss es vom Hersteller, seinem Kundendienst oder einer ähnlich qualifizierten Person ausgewechselt werden, um Gefahren zu vermeiden.
6. Um Informationen zur Reinigung der Flächen zu erhalten, die mit Lebensmitteln oder Öl in Berührung kommen, lesen Sie bitte den Abschnitt „Reinigung und Wartung“ in der Bedienungsanleitung.
7. Dieses Gerät ist nicht für die Bedienung über einen externen Timer oder ein separates Fernbedienungssystem bestimmt.
8. Dieses Gerät ist dafür vorgesehen, im Haushalt und in ähnlichen Einsatzbereichen benutzt zu werden, wie zum Beispiel: Mitarbeiter-Küchenbereiche in Geschäften, Büros und anderen Arbeitsumgebungen; Bauernhöfe; die Benutzung durch Gäste in Hotels, Motels und anderen Unterkunftsarten; Frühstückspensionen.
9. Bevor Sie den Stecker mit der Netzsteckdose verbinden, prüfen Sie bitte, ob die Spannung und die Frequenz mit den Angaben auf dem Typenschild übereinstimmen.
10. Ziehen Sie den Netzstecker aus der Steckdose, wenn das Gerät nicht benutzt und bevor es gereinigt wird.
11. Falls ein Verlängerungskabel verwendet wird, muss es für den Stromverbrauch des Gerätes geeignet sein, sonst kann es zum Überhitzen des Verlängerungskabels und/oder des Steckers kommen. Es besteht Verletzungsgefahr durch Stolpern über das Verlängerungskabel. Lassen Sie Vorsicht walten, um gefährliche Situationen zu vermeiden.
12. Achten Sie darauf, dass das Netzkabel nicht über scharfe Kanten hängt und halten Sie es von heißen Objekten und offenen Flammen fern.
13. Tauchen Sie das Gerät oder den Netzstecker nicht in Wasser oder andere Flüssigkeiten. Es besteht Lebensgefahr aufgrund von Stromschlag!
14. Um den Stecker aus der Steckdose zu entfernen, ziehen Sie am Stecker. Ziehen Sie nicht am Kabel.
15. Berühren Sie das Gerät nicht, wenn es ins Wasser gefallen ist. Ziehen Sie den Stecker aus der Steckdose, schalten Sie das Gerät aus und schicken Sie es an einen autorisierten Kundendienst zwecks Reparatur.
16. Den Netzstecker des Gerätes nicht mit einer nassen Hand aus der Steckdose ziehen oder mit der Steckdose verbinden.
17. Versuchen Sie unter keinen Umständen, das Gehäuse des Gerätes zu öffnen oder das Gerät selbst zu reparieren. Dies könnte einen Stromschlag verursachen.

18. Lassen Sie das Gerät während des Gebrauchs niemals unbeaufsichtigt.
19. Dieses Gerät ist nicht für den gewerblichen Gebrauch konzipiert.
20. Verwenden Sie das Gerät nur zu seinem bestimmungsgemäßen Zweck.
21. Wickeln Sie das Kabel nicht um das Gerät und knicken Sie es nicht.
22. Stellen Sie das Gerät auf eine stabile, ebene Fläche, von der es nicht herunterfallen kann.
23. Bitte schützen Sie das Produkt vor übermäßiger Verschmutzung und Feuchtigkeit.
24. Reinigen Sie das Produkt selbst mit einem leicht angefeuchteten Tuch.
25. Lassen Sie das Gerät nicht unbeaufsichtigt laufen. Wenn Sie den Arbeitsplatz verlassen, schalten Sie das Gerät immer aus oder ziehen Sie den Stecker aus der Steckdose (ziehen Sie direkt am Stecker, nicht am Kabel).
26. Das Gerät nicht an eine Wand oder ein anderes Gerät stellen. Lassen Sie mindestens 10 cm Platz an Rückseite, Seiten und über dem Gerät.
27. Beim Frittieren mit Heißluft entweicht heißer Dampf durch die Luftaustrittsöffnungen. Halten Sie Ihre Hände und Ihr Gesicht in einem sicheren Abstand zum Dampf und zu den Luftaustrittsöffnungen. Nehmen Sie sich auch vor heißem Dampf und heißer Luft in Acht, wenn Sie den Behälter aus dem Gerät entfernen.
28. Ziehen Sie sofort den Stecker des Gerätes aus der Steckdose, wenn Sie dunklen Rauch aus dem Gerät kommen sehen. Warten Sie, bis kein Rauch mehr zu sehen ist, bevor Sie den Behälter aus dem Gerät nehmen.
29. Vergewissern Sie sich vor jedem Gebrauch des Gerätes, dass das Heizelement und die Umgebung sauber und frei von Speiseresten sind, um eine einwandfreie Funktion zu gewährleisten.



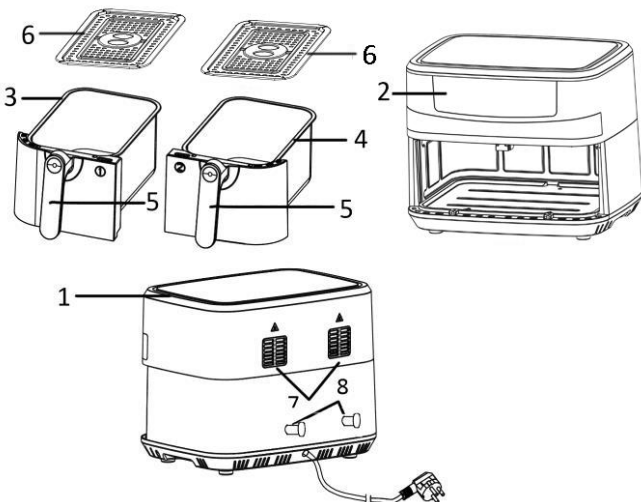
30. Vorsicht – heiße oberfläche.

WARNUNG! Bitte berühren Sie während des Gebrauchs nicht die Oberfläche. Die Temperatur der zugänglichen Oberflächen kann sehr hoch sein, wenn das Gerät in Betrieb ist.

31. Aus dem Lüftungsschlitz an der Rückseite des Gerätes kommt heiße Luft. Achten Sie darauf, ausreichend Abstand zu Material, das hitzeempfindlich ist, wie zum Beispiel Glas, einzuhalten.
32. Wenn Sie Produkte mit Antihafbeschichtung benutzen, stellen Sie bitte sicher, dass sich keine Vögel im gleichen Zimmer befinden und dass das Zimmer komplett geschlossen und gut belüftet werden kann.
33. Backpapier immer nach dem Gebrauch und bevor/während des Vorheizens ohne Lebensmittel.

#### TEILEBESCHREIBUNG

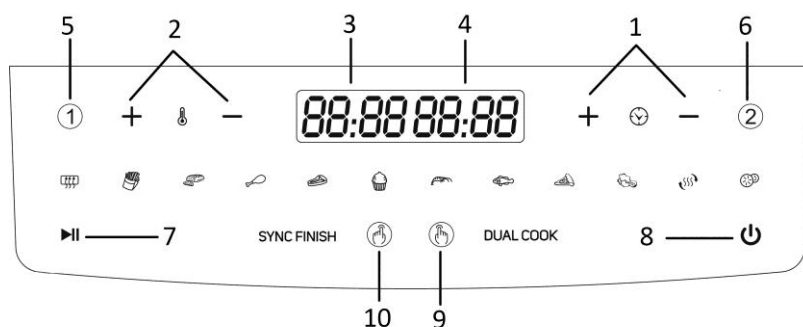
1. Lufteinlass
2. Bedienfeld und Display
3. Einsatz 1
4. Einsatz 2
5. Einsatzgriff
6. Bratrost
7. Luftauslass
8. Aufbewahrung für das Netzkabel



#### Bedienfeld und Display

1. Timer-Steuerung (auf "+" oder "-" drücken, um die Zeit von 1 bis 60 Minuten einzustellen)
2. Temperatur-Steuerung (auf "+" oder "-" drücken, um die Temperatur auf einen Wert zwischen 50 und 200 °C einzustellen)

3. Timer- und Temperaturanzeige für Einsatz 1
4. Timer- und Temperaturanzeige für Einsatz 2
5. Schalter 1 für Einsatz 1
6. Schalter 2 für Einsatz 2
7. Taste Pause/Start
8. Taste Standby/Abbruch
9. Taste Dual garen
10. Taste Synchronisation abschließen



### Menütasten

Menü	Standardzeit (Min.)	Standardtemperatur (°C)
Vorheizen	3	180
Pommes Frites	18	200
Fleisch	12	200
Hähnchenkeulen	20	200
Steak	12	180
Kuchen	25	160
Garnelen	8	180
Fisch	10	180
Pizza	20	180
Gemüse	10	160
Aufwärmen	15	150
Dehydrieren	360 (Einstellbare Zeit: 0,5 bis 24 Stunden)	60

### VOR DEM GEBRAUCH

Lesen Sie vor Gebrauch zuerst alle Anweisungen durch und bewahren Sie diese für späteres Nachschlagen auf. Schließen Sie dieses Gerät ausschließlich an eine geerdete Steckdose an. Entfernen Sie vor der Erstinutzung das Verpackungsmaterial. Einsätze und Bratroste reinigen. (siehe "Reinigung und Instandhaltung"). Reinigen Sie das Gerät innen und außen mit einem weichen Tuch. Achten Sie hierbei darauf, dass die elektrischen Bauteile trocken bleiben. **Dieses Gerät erhitzt Lebensmittel vollständig und für die meisten Zutaten kann auf eine Hinzugabe von Öl verzichtet werden.**



Betreiben Sie das Gerät vor der erstmaligen Nutzung für ca. 10 Minuten, um evtl. Produktionsrückstände zu verbrennen. Achten Sie auf eine gute Belüftung. Nach dem ersten Einschalten kann das Gerät etwas Rauch und einen charakteristischen Geruch absondern. Das ist normal und vergeht nach relativ kurzer Zeit wieder.

**Hinweis:** Verwenden Sie den Bratrost immer mit den Silikonfüßen. Sie stabilisieren den Bratrost während des Garvorgangs im Frittierkorb.

## GEBRAUCH

1. Stellen Sie das Gerät auf eine trockene, feste und hitzebeständige Fläche.
2. Das Gerät wird während des Gebrauchs heiß; stellen Sie es daher nicht in die unmittelbare Nähe anderer Objekte.
3. Ziehen Sie den Frittierkorb am Frittierkorbgriff aus dem Gerät. Stellen Sie den Bratrost in den Frittierkorb.
4. Geben Sie die Zutaten in den Einsatz. (Überschreiten Sie nicht die MAX-Markierung im Inneren des Einsatzes.) Schieben Sie den Frittierkorb in das Gerät. Vergewissern Sie sich über die korrekte Position und ein vollständiges Schließen.

Vorsicht: Füllen Sie den Einsatz nicht mit Öl oder einer anderen Flüssigkeit. Berühren Sie den Frittierkorb nicht während des Betriebes oder kurz nach dem Betrieb, da er sehr heiß wird. Fassen Sie den Frittierkorb nur am Griff an.

5. Netzstecker an eine geeignete Steckdose anschließen. Das Gerät ist jetzt im Standby-Betrieb. Die Standby-Taste  drücken. Alle Symbole werden im Bedienfeld angezeigt.
  6. Die Taste 1 und anschließend die Menü-Tasten drücken, um die Garfunktion auszuwählen. Dauer und Temperatur für Einsatz 1 wählen. Mit den Tasten „+“ und „-“ die Zeit (pro Tastendruck 1 Minute) und die Temperatur (pro Tastendruck 10 Grad) ggf. ändern. Zum schnelleren Einstellen die Tasten „+“ und „-“ länger gedrückt halten.
  7. Die Taste 2 und anschließend die Menü-Tasten drücken, um die Garfunktion auszuwählen und die Zeit und Temperatur für Einsatz 2 einzustellen.
  8. Die Taste Pause/Start drücken. Das Gerät wird in Betrieb gesetzt. Der Einsatz mit der kürzeren Garzeit ist zuerst fertig.
  9. Wenn Garvorgang beendet ist, gibt das Gerät einen Ton aus und schaltet sich ab. Mit der Taste  kann das Gerät auch manuell abgestellt werden.
- Während des Betriebs können Sie die Pause-Taste zum Unterbrechen des Vorgangs drücken. Zum Fortsetzen drücken Sie erneut die Pause-Taste.
10. Ziehen Sie den Korb am Korbgriff aus dem Gerät. Prüfen Sie, ob die Speisen gar sind. Falls nicht, schieben Sie den Korb wieder in das Gerät. Rufen Sie das Menü auf, um die Temperatur einzustellen und den Timer ein paar Minuten zu verlängern. Drücken Sie anschließend die Pause/Start-Taste, um den Vorgang fortzusetzen. HINWEIS: Während der Zubereitung können Sie auch den Korb herausziehen, um den Zustand zu prüfen und dabei die Zutaten zu schütteln.
  11. Nehmen Sie fetthaltige Speisen, wie z. B. Rindfleisch, Huhn, andere Fleischsorten, deren überschüssiges Fett sich während des Garvorgangs auf dem Boden des Frittierkorbs sammelt, bitte einzeln mit einer Zange heraus.

Um Speisen zu entnehmen, bei denen sich kein überschüssiges Fett während des Garvorgangs am Boden des Frittierkorbs sammelt (z. B. Pommes frites, Gemüse), ziehen Sie den Frittierkorb aus dem Gerät und geben Sie die Speisen direkt auf die Teller.

Hinweis: Frittierkorb und Speisen sind nach dem Frittieren heiß. Je nach Zutaten in der Schale kann heißer Dampf austreten.

12. Nach beendetem Garen ist das Gerät sofort für die Zubereitung einer weiteren Zutatenportion bereit.

## Funktion Synchronisation abschließen


- 1) Drücken Sie die Taste für „SYNCHRONISATION ABSCHLIESSEN“. Das Symbol blinkt.
- 2) Drücken Sie Taste 1, um ein Garprogramm für Einsatz 1 zu wählen.
- 3) Drücken Sie Taste 2, um ein Garprogramm für Einsatz 2 zu wählen.

- 4) Drücken Sie die Pause/Start-Taste. Die Zone mit der längeren Gardauer startet zuerst. Die andere Zone mit der kürzeren Garzeit startet später. Beide Zonen werden passend fertig.

### **Funktion Parallel garen**

- 1) Drücken Sie die „DUAL GAREN“ und anschließend die Menü-Tasten, um die Garfunktion auszuwählen und die Zeit und Temperatur für beide Zonen einzustellen. Beide arbeiten das gleiche Programm ab.
- 2) Drücken Sie die Taste Pause/Start. Das Gerät wird in Betrieb gesetzt.

### **Vorheizfunktion**

Drücken Sie die Taste  und danach auf „+“ oder „-“, um die Temperatur (50°C bis 200°C) und Dauer (1 bis 60 Minuten) für das Vorheizen einzustellen.

### **Hinweis:**

- 1) Die Tasten für Menü, Timer und Temperatur können nur bedient werden, solange Taste 1, Taste 2 oder die Taste „Dual garen“ blinken.
- 2) Bei kleineren Portionen können Sie nur mit einem Korbeinsatz kochen. Wählen Sie ein Programm für den Einsatz und drücken Sie die Pause/Start-Taste.
- 3) Beim Garen in beiden Zonen verlängert sich die benötigte Garzeit.

### **FRITTIERTIPPS**

1. Die optimale Menge für knusprige Pommes Frites liegt bei 450 - 600 Gramm pro Einsatz.
2. Verlängern Sie die Zubereitungszeit um 3 Minuten, wenn das Gerät kalt ist, oder heizen Sie das leere Gerät ungefähr 4 Minuten lang vor.
3. Manche Speisen müssen nach der Hälfte der Garzeit geschüttelt werden. Um die Speisen zu schütteln oder umzudrehen, ziehen Sie den Frittierkorb am Griff aus dem Gerät und schütteln Sie ihn oder drehen Sie die Speisen mit einer Gabel (oder Zange) um. Schieben Sie dann den Frittierkorb zurück ins Gerät.
4. Sie können die Fritteuse auch für das Wiedererwärmen von Zutaten verwenden. Stellen Sie die Temperatur zum Aufwärmen von Speisen für 10 Minuten auf 150 °C ein.
5. Panierte Speisen werden knuspriger, wenn sie mit etwas Pflanzenöl eingesprüht werden.
6. Stellen Sie eine Backform oder eine Auflaufform in das Gerät, wenn Sie einen Kuchen, eine Quiche oder andere mürbe Speisen backen möchten.
7. Bereiten Sie keine extrem fettigen Speisen, wie zum Beispiel Würstchen, in dem Gerät zu.

### **VORSICHT:**

1. Tauchen Sie das Gehäuse nicht ins Wasser und spülen Sie es nicht unter dem Wasserhahn ab.
2. Vermeiden Sie das Eindringen von Flüssigkeiten in das Gerät, um einen Stromschlag oder Kurzschluss zu verhindern.
3. Geben Sie die Zutaten ausschließlich in den Einsatz und vermeiden Sie so, dass die Zutaten in Kontakt mit den Heizelementen kommen.
4. Der Luftein- und -auslass darf während der Betriebszeit des Geräts nicht abgedeckt werden. Lassen Sie mindestens 10 cm Platz rund um und über dem Gerät.
5. Es besteht die Gefahr eines Feuers, wenn der Frittiereinsatz mit Öl gefüllt wird!
6. Berühren Sie nicht die Innenseite des Gerätes, wenn es läuft.
7. Vorsicht mit heißem Dampf und heißer Luft, wenn der Einsatz aus dem Gerät genommen wird.
8. Während des Betriebs strömt heißer Dampf aus dem Luftauslass. Halten Sie mit Händen und Gesicht einen sicheren Abstand zum Luftauslass und Dampf.
9. Schalten Sie das Gerät sofort aus und ziehen Sie den Gerätestecker aus der Steckdose, wenn Sie dunklen Rauch aus dem Gerät quellen sehen. Das bedeutet, dass die Speisen verbrannt sind oder das Fehlfunktionen auftreten.

## FRITTIERTABELLE

Falls die Anweisungen auf der Produktverpackung von den Angaben in dieser Tabelle abweichen, sollten die Anweisungen auf der Verpackung befolgt werden. Wenn das Gerät noch kalt ist, addieren Sie zu der Frittierdauer noch 3 Minuten Vorbereitungszeit.

Zutat	Menge pro Zone (g)	Temp. (°C)	Zeit (Min.)		Weitere Informationen
			Eine Zone	Beide Zonen	
Karotten	450	200	13-16	25-30	1 EL Öl zugeben
Grüne Bohnen	350	200	8-10	10-15	1 EL Öl zugeben
Pilze	250	200	7-9	13-15	1 EL Öl zugeben
Garnelen	450	180	7-10	10-13	1 EL Öl zugeben
Steaks	250	180	10-20	14-28	Mit Öl gebürstet
Pommes Frites	450	200	15-22	28-32	
Hähnchenbrust	300	200	22-24	25-28	Mit Öl gebürstet
Schweinekoteletts	250	200	14-17	17-25	Mit Öl gebürstet
Chicken Nuggets	350	200	10-13	18-21	
Pizzabrötchen	550	200	12-15	15-18	
Zwiebelringe	300	190	13-16	18-22	

## REINIGUNG UND INSTANDHALTUNG

1. Lassen Sie das Gerät für ca. 30 Minuten abkühlen, bevor Sie es anfassen oder säubern. Reinigen Sie das Gerät regelmäßig von innen und außen.
2. Säubern Sie die Außen- und Innenseite des Geräts mit einem feuchten Tuch und reiben Sie es mit einem weichen, sauberen Tuch trocken.
3. Keinesfalls scheuernde Reiniger oder Schwämme verwenden.
4. Nehmen Sie den Frittierkorb heraus, damit sich das Gerät schneller abkühlen kann. Reinigen Sie die Korbeinsätze und Bratroste mit Spülmittel, heißem Wasser und einem nicht scheuernden Schwamm. Vor dem Gebrauch gründlich abtrocknen.
5. Entfernen Sie etwaige Speisereste vom Heizelement im Gehäuse (wird nach der Entnahme des Frittierkorbs sichtbar) mit einer Reinigungsbürste.

Hinweis: Die Einsätze und Bratroste sind spülmaschinenfest.

## FEHLERBEHEBUNG

Problem	Mögliche Ursache	Lösung
<b>Das Gerät funktioniert nicht.</b>	Das Gerät ist nicht am Strom angeschlossen.	Den Netzstecker an eine geerdete Wand-Steckdose anschließen.
	Zum Einschalten des Geräts haben Sie nicht die Pause/Start-Taste gedrückt.	Drücken Sie die Taste, um das Gerät einzuschalten.
<b>Die Zutaten sind nicht durchgegart.</b>	Die Menge der Lebensmittel im Frittiereinsatz ist zu groß.	Fügen Sie kleinere Mengen an Zutaten in den Einsatz. Kleinere Mengen werden gleichmäßiger frittiert.
	Die Temperatur ist zu niedrig oder die Zeit zu kurz eingestellt.	Drücken Sie auf "+", um die Temperatur auf den erforderlichen Wert einzustellen oder stellen Sie ein paar extra Minuten ein.
<b>Die Zutaten sind ungleichmäßig frittiert.</b>	Verschiedene Lebensmittelarten müssen in der Hälfte der Zubereitungszeit geschüttelt werden.	Schütteln Sie die Lebensmittel während der Hälfte der Zubereitungszeit.
<b>Die gebratenen Snacks sind nicht knusprig.</b>	Sie haben eine Art Snacks benutzt, die in einer traditionellen Fritteuse frittiert werden sollten.	Verwenden Sie Ofen-Snacks oder streichen Sie ein bisschen Öl auf die Snacks für ein knusprigeres Resultat.

<b>Aus dem Gerät steigt weißer Rauch.</b>	Sie bereiten fettige Zutaten zu.	Beim Frittieren fettiger Zutaten tropft Öl in die Schale. Die Schale kann sich erhitzen und das Öl verursacht weißen Rauch. Das beeinträchtigt weder das Kochergebnis noch wird das Gerät beschädigt.
	Die Schale enthält von vorheriger Nutzung Fettreste.	Reinigen Sie die Schale gründlich nach jeder Nutzung.
<b>Frische Pommes Fritten sind ungleichmäßig frittiert.</b>	Sie verwenden einen falschen Kartoffeltyp.	Verwenden Sie frische Kartoffeln und achten Sie darauf, dass sie während des Frittierens fest bleiben.
	Sie haben die Kartoffelstäbchen vor dem Frittieren nicht richtig abgespült.	Spülen Sie die Kartoffelstäbchen richtig ab, um Stärke von der Außenseite der Stäbchen zu entfernen.
<b>Frische Pommes sind nicht knusprig.</b>	Die Knusprigkeit der Pommes hängt vom Gehalt an Öl und Wasser in den Pommes ab.	Achten Sie darauf, dass die Kartoffelstäbchen richtig abgetrocknet wurden, bevor Sie Öl hinzufügen.
		Schneiden Sie die Kartoffelstückchen kleiner für ein knusprigeres Resultat.
		Fügen Sie für ein knusprigeres Resultat etwas mehr Öl hinzu.

## TECHNISCHE DATEN

Betriebsspannung: 230V~ 50-60Hz

Leistung: 2400W

## GEWÄHRLEISTUNG UND KUNDENSERVICE

Vor der Lieferung werden unsere Geräte einer strengen Qualitätskontrolle unterzogen. Wenn, trotz aller Sorgfalt, während der Produktion oder dem Transport Beschädigungen aufgetreten sind, senden Sie das Gerät zurück an den Händler.

Wir bieten eine 2-Jahres-Gewährleistung für das erworbene Gerät, beginnend am Tag des Verkaufs. Wenn Sie ein defektes Produkt haben, nehmen Sie bitte direkt Kontakt mit dem Verkäufer auf.

Defekte, die aufgrund von unangemessenem Umgang mit dem Gerät entstehen und Störungen aufgrund von Eingriffen und Reparaturen Dritter oder das Montieren von nicht-Originalteilen werden nicht von dieser Gewährleistung abgedeckt. Die Quittung immer aufbewahren, ohne Quittung wird jegliche Gewährleistung ausgeschlossen. Bei Schäden durch Nichteinhalten der Bedienungsanleitung erlischt die Gewährleistung, Wir sind für daraus resultierende Folgeschäden nicht haftbar. Für Materialschäden oder Verletzungen aufgrund falscher Anwendung oder Nichtbefolgen der Sicherheitshinweise sind wir nicht haftbar. Schäden an den Zubehörteilen bedeutet nicht, dass das gesamte Gerät kostenlos ausgetauscht wird. In diesem Fall kontaktieren Sie unseren Kundendienst. Zerbrochenes Glas oder Kunststoffteile sind immer kostenpflichtig. Schäden an Verbrauchsmaterialien oder Verschleißteilen, sowie Reinigung, Wartung oder Austausch der besagten Teile werden durch die Gewährleistung nicht abgedeckt und sind deshalb kostenpflichtig.



Das nebenstehende Symbol einer durchgestrichenen Mülltonne auf Rädern zeigt an, dass dieses Gerät der Richtlinie 2012/19/EU unterliegt. Diese Richtlinie besagt, dass Sie dieses Gerät am Ende seiner Nutzungszeit nicht mit dem normalen Haushaltsmüll entsorgen dürfen, sondern in speziell

eingerichteten Sammelstellen, Wertstoffhöfen oder Entsorgungsbetrieben abgeben müssen. Diese Entsorgung ist für Sie kostenfrei. Schonen Sie die Umwelt und entsorgen Sie fachgerecht.



Beim Kauf eines Neugerätes haben Sie das Recht, das entsprechende Altgerät an Ihren Händler zurückzugeben. Händler von Elektro- und Elektronikgeräten mit einer Verkaufsfläche von mindestens 400 qm sowie Lebensmittelhändler mit einer Verkaufsfläche von mindestens 800 qm, die regelmäßig Elektro- und Elektronikgeräte verkaufen, sind außerdem verpflichtet, Altgeräte unentgeltlich zurückzunehmen, auch ohne dass ein Neugerät gekauft wird, wenn die Altgeräte in keiner Abmessung größer sind als 25 cm. Der Händler bietet Ihnen Rücknahmemöglichkeiten direkt in den Filialen und Märkten an. Informieren Sie sich auch bei Ihrem Händler über die Rücknahmemöglichkeiten vor Ort.

Sofern Ihr Altgerät personenbezogene Daten enthält, sind Sie selbst für deren Löschung verantwortlich, bevor Sie es zurückgeben. Sofern dies ohne Zerstörung des Altgerätes möglich ist, entnehmen Sie die alten Batterien oder Akkus sowie Lampen bevor Sie das Altgerät zur Entsorgung zurückgeben und führen Sie sie einer separaten Sammlung zu. Bei fest eingebauten Akkus ist bei der Entsorgung darauf hinzuweisen, dass das Gerät einen Akku enthält. Weitere Möglichkeiten zur Entsorgung des ausgedienten Produkts erfahren Sie bei Ihrer Gemeinde- oder Stadtverwaltung.

Emerio B.V.	<b>Customer service:</b>	<b>Kundeninformation:</b>	<b>Klantenservice:</b>
Oudeweg 115	T: +31 (0) 23 3034369	T: +49 (0) 3222 1097 600	T: +31 (0) 23 3034369
2031 CC Haarlem	<a href="http://www.emerio.eu/service">www.emerio.eu/service</a>	<a href="http://www.emerio.eu/service">www.emerio.eu/service</a>	<a href="http://www.emerio.eu/service">www.emerio.eu/service</a>
The Netherlands			

Looking for spare parts? Have a look at <https://spareparts.emerio.eu>

Sie brauchen Ersatzteile? Besuchen Sie <https://ersatzteile.emerio.eu>

Onderdelen nodig? Kijk op <https://onderdelen.emerio.eu>



KUNDENDIENST



ERSATZTEILE

## Mode d'emploi – French

### CONSIGNES DE SÉCURITÉ

Avant d'utiliser l'appareil, lisez toutes les consignes suivantes pour éviter des blessures et des dommages, et pour optimiser les performances de votre appareil. Conservez cette notice d'utilisation dans un endroit sûr. Si vous donnez ou transférez cet appareil à un tiers, veillez à lui remettre également cette notice d'utilisation.

En cas de détérioration due au non-respect par l'utilisateur des instructions de cette notice d'utilisation, la garantie est annulée. Le fabricant/importateur rejette toute responsabilité en cas de dommages dus au non-respect des instructions de la notice d'utilisation, à un usage négligent ou à l'usage non conforme aux exigences de cette notice d'utilisation.

1. Cet appareil peut être utilisé par des enfants à partir de 8 ans et plus et par des personnes ayant des capacités physiques, sensorielles ou mentales réduites ou un manque d'expérience et de connaissances à condition qu'elles aient reçu une supervision ou des instructions concernant l'utilisation de l'appareil en toute sécurité et qu'elles comprennent les dangers encourus.
2. Les enfants ne doivent pas jouer avec l'appareil.
3. Le nettoyage et l'entretien par l'utilisateur ne doivent pas être effectués par des enfants, sauf s'ils ont plus de 8 ans et qu'ils sont surveillés.
4. Maintenir l'appareil et son cordon hors de portée des enfants de moins de 8 ans.
5. Si le câble d'alimentation est endommagé, il doit être remplacé par le fabricant, son service après-vente ou des personnes de qualification similaire afin d'éviter un danger.
6. Pour obtenir des instructions sur comment nettoyer les surfaces qui sont en contact avec des aliments ou de l'huile, reportez-vous au paragraphe « nettoyage et entretien » du mode d'emploi.
7. Les appareils ne sont pas destinés à être mis en fonctionnement au moyen d'une minuterie extérieure ou par un système de commande à distance séparé.
8. Cet appareil est destiné à une utilisation domestique et analogue telles que: Les zones de cuisine du personnel de magasins, bureaux et autres environnements de travail; Les fermes; Les clients dans les hôtels, motels et autres environnements de type résidentiel; Environnements de type chambres d'hôtes.
9. Avant d'insérer la fiche de l'appareil dans une prise secteur, vérifiez que la tension et la fréquence du secteur correspondent aux spécifications indiquées sur la plaque signalétique.
10. Débranchez la fiche électrique de la prise électrique quand l'appareil n'est pas utilisé et avant de le nettoyer.
11. Si vous utilisez une rallonge électrique, elle doit être appropriée à la puissance consommée par l'appareil, sinon la rallonge et/ou la fiche risquent de chauffer excessivement. Il existe un risque potentiel de blessures par trébuchement sur le cordon électrique. Prenez vos précautions pour éviter toute situation dangereuse.
12. Veillez à ce que le cordon d'alimentation ne pende pas sur des arêtes coupantes et maintenez-le éloigné des objets chauds et des flammes nues.
13. N'immergez jamais l'appareil ou sa fiche dans de l'eau ni dans aucun autre liquide. Cela peut provoquer un choc électrique !
14. Pour débrancher la fiche de la prise, saisissez la fiche et tirez-la hors de la prise. Ne tirez pas sur le cordon d'alimentation.
15. Ne touchez pas l'appareil s'il tombe dans de l'eau. Débranchez la fiche de la prise électrique, éteignez l'appareil et rappelez-le au centre de réparation agréé pour le faire réparer.
16. Ne branchez pas et ne débranchez pas l'appareil de la prise électrique avec les mains mouillées.
17. N'essayez pas d'ouvrir le boîtier de l'appareil ni de réparer l'appareil vous-même. Cela peut provoquer un choc électrique.
18. Ne laissez jamais l'appareil sans surveillance quand il est en fonctionnement.

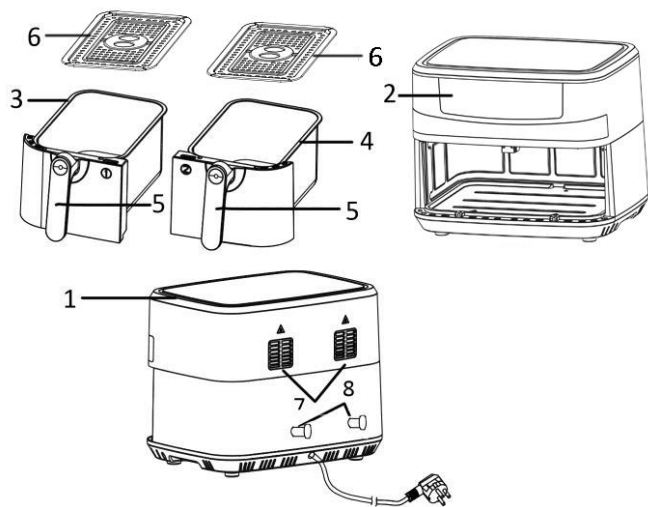
19. Cet appareil n'est pas conçu pour un usage commercial.
20. N'utilisez pas cet appareil à un usage autre que celui pour lequel il a été conçu.
21. N'enroulez pas le cordon d'alimentation autour de l'appareil et ne le pliez pas.
22. Placez l'appareil sur une surface horizontale et stable, de laquelle il ne peut pas tomber.
23. Veillez à ce que l'appareil ne soit pas exposé à une humidité ou des saletés excessives.
24. Nettoyez le produit avec un chiffon légèrement humidifié.
25. N'utilisez pas l'appareil sans le surveiller. Si vous devez quitter la zone d'utilisation, éteignez toujours l'appareil et débranchez toujours sa fiche de la prise électrique (saisissez et tirez la fiche, et non le cordon d'alimentation).
26. N'installez pas l'appareil contre un mur ou contre un autre appareil. Laissez un espace d'au moins 10 cm à l'arrière, sur les côtés et au-dessus de l'appareil.
27. Cette friteuse à air chaud dégage de la vapeur brûlante par ses ouvertures de sortie d'air lorsqu'elle fonctionne. N'approchez pas vos mains ou votre visage des jets de vapeur brûlants des sorties d'air. De même, faites attention à ne pas vous brûler avec l'air et la vapeur brûlants lorsque vous retirez le panier de l'appareil.
28. Si l'appareil dégage de la fumée noire, débranchez-le immédiatement. Attendez que la fumée s'arrête avant de retirer le panier de l'appareil.
29. Avant chaque utilisation de l'appareil, vérifiez que l'élément chauffant et la zone l'entourant sont propres et exempts de tout résidu alimentaire afin de garantir un fonctionnement parfait.



30. Attention, surface chaude.  
Avertissement!! Veuillez ne pas toucher la surface pendant l'utilisation. La température des surfaces accessibles peut être élevée lorsque l'appareil est en fonctionnement.
31. De l'air chaud sort de la bouche d'aération située à l'arrière de l'appareil. Veillez à maintenir une distance suffisante des matériaux, tels que le verre, qui sont sensibles à la chaleur.
32. Si vous utilisez des produits antiadhésifs, veillez à ce qu'il n'y ait aucun oiseau dans la pièce et à ce que la pièce soit complètement fermée et bien aérée.
33. Retirez toujours le papier de cuisson du panier après l'utilisation et avant / pendant le préchauffage sans aliments.

#### DESCRIPTION DES COMPOSANTS

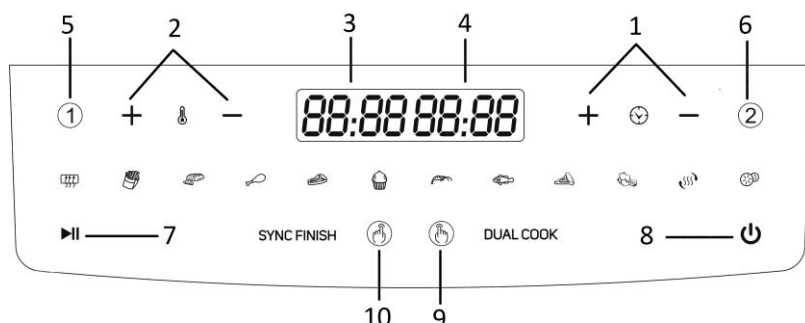
1. Entrée d'air
2. Panneau de contrôle et affichage
3. Panier 1
4. Panier 2
5. Poignée du panier
6. Grille de cuisson
7. Sortie d'air
8. Emplacement du cordon d'alimentation



#### Panneau de contrôle et affichage

1. Réglage de la minuterie (Appuyez sur « + » ou « - » pour régler la minuterie de 1 à 60 minutes)
2. Thermostat (Appuyez sur « + » ou « - » pour régler la température de 50 °C à 200 °C)
3. Affichage du minuteur et de la température pour le panier 1
4. Affichage du minuteur et de la température pour le panier 2

5. Bouton 1 pour le panier 1
6. Bouton 2 pour le panier 2
7. Bouton pause / démarrage
8. Bouton mise en veille / annulation
9. Bouton de double cuisson
10. Bouton de finition synchronisée



### Boutons de menu

menu	Durée par défaut (min)	Température par défaut (°C)
Préchauffer	3	180
Frites	18	200
Viande	12	200
Pilons	20	200
Steak	12	180
Gâteau	25	160
Crevettes	8	180
Poisson	10	180
Pizza	20	180
Légumes	10	160
Réchauffer	15	150
Déshydrater	360 (Temps réglable : 0,5 heure à 24 heures)	60



### AVANT TOUTE UTILISATION

Lisez les instructions dans leur intégralité, et conservez-les pour référence future. Utiliser cet appareil avec une prise équipée d'une mise à la terre seulement. Avant la première utilisation, retirez tous les éléments d'emballage. Nettoyez les paniers et les grilles de friture. (Voir « Nettoyage et entretien »). Essuyez l'intérieur et l'extérieur de l'appareil avec un tissu doux. Veillez à ne pas mouiller les composants électriques. **L'appareil fait chauffer les aliments de manière homogène, et une grande majorité d'ingrédients ne nécessitent aucune addition d'huile.**

Faites fonctionner la machine à puissance moyenne pendant 10 environ avant la première utilisation pour brûler les résidus de fabrication. Veillez à faire cela dans un lieu correctement aéré. Lorsque l'appareil chauffe pour la première fois, ce dernier pourrait émettre une légère fumée et une légère odeur. Ceci est normal et ne durera pas.

**Remarque :** Utilisez toujours la grille de friture avec les pieds en silicone attachés. Ils aident à stabiliser la grille dans le panier pendant la cuisson.

## UTILISATION

1. Posez l'appareil sur une surface sèche, stable et thermorésistante.
2. L'appareil chauffe pendant son fonctionnement, ne pas le positionner à proximité d'autres objets inflammables.
3. Sortez le panier de l'appareil en saisissant la poignée du panier. Placez la grille de cuisson dans le panier.
4. Déposez les ingrédients dans le panier. (Ne pas excéder le niveau MAX indiqué dans le panier.) Insérez le panier dans l'appareil. Veillez à ce que ces derniers soient correctement insérés.  
Attention: Ne remplissez pas le panier avec de l'huile ni aucun autre liquide. Ne touchez pas le panier pendant l'utilisation ou peu après l'utilisation, car il devient très chaud. Saisissez le panier exclusivement par sa poignée.
5. Connectez la fiche de l'appareil à une prise électrique appropriée. Branchez la fiche d'alimentation à une prise de courant appropriée. Appuyez sur le bouton de veille «  », toutes les icônes s'affichent sur le panneau de contrôle.
6. Appuyez sur le bouton 1, puis sur les boutons de menu pour choisir la fonction de cuisson et régler la durée et la température du panier 1 ; vous pouvez appuyer sur « + » ou « - » pour régler le temps (1 minute / pression) et la température (10 degrés / pression). Vous pouvez également appuyer longuement sur « + » ou « - » pour un réglage rapide.
7. Appuyez sur le bouton 2, puis sur les boutons de menu pour choisir la fonction de cuisson et régler la durée et la température du panier 2.
8. Appuyez sur le bouton pause/démarrage ; l'appareil commencera à fonctionner. Le panier dont le temps de fonctionnement est le plus court s'arrêtera en premier.
9. Lorsque le processus de cuisson est terminé, l'appareil cesse de fonctionner en émettant un bip sonore. Vous pouvez également éteindre manuellement l'appareil en appuyant sur le bouton «  ».  
Pendant le fonctionnement, vous pouvez appuyer sur le bouton pause pour mettre le programme en pause et appuyer à nouveau pour continuer le programme.
10. Retirez le panier de l'appareil en utilisant la poignée du panier. Vérifiez si les aliments sont cuits. Si ce n'est pas le cas, replongez simplement le panier dans l'appareil. Sélectionnez le menu pour régler la température et le minuteur sur quelques minutes supplémentaires. Ensuite, appuyez sur le bouton de démarrage / pause pour redémarrer l'appareil. REMARQUE : Vous pouvez également retirer le panier afin de contrôler les aliments à mi-cuisson et pour les mélanger.
11. Pour retirer les ingrédients naturellement gras (par exemple le bœuf, le poulet, la viande) dont le gras en excès est collecté au fond du panier pendant la cuisson, utilisez des pinces et saisissez-les un par un.  
Pour retirer les ingrédients (par exemple des frites ou des légumes) sans gras collecté au fond du panier pendant la cuisson, retirez le panier et versez les ingrédients dans un plat.  
Remarque: Le panier et les ingrédients sont très chauds après la cuisson. Selon le type d'ingrédient frit, de la vapeur pourrait s'échapper de la plaque.
12. L'appareil peut immédiatement être utilisé pour frire un second lot d'aliments si désiré.

### Fonction de finition synchronisée

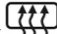
- 1) Appuyez sur le bouton « SYNC FINISH », l'icône clignotera.
- 2) Appuyez sur le bouton 1 pour régler un programme de cuisson pour le panier 1 ;
- 3) Appuyez sur le bouton 2 pour régler un programme de cuisson pour le panier 2.

- 4) Appuyez sur le bouton pause / démarrage ; le panier programmé avec la plus longue durée de fonctionnement commencera en premier. L'autre panier avec moins de temps de fonctionnement démarrera plus tard. Les deux paniers finiront de fonctionner en même temps.

#### **Fonction de double cuisson**

- 1) Appuyez sur le bouton « DUAL COOK », puis appuyez sur les boutons de menu pour choisir la fonction de cuisson et régler le temps et la température pour les deux zones. Ils fonctionneront sur le même programme.
- 2) Appuyez sur le bouton pause / démarrage ; l'appareil commencera à fonctionner.

#### **Fonction de préchauffage**

Appuyez sur le bouton «  », puis appuyez sur «+» ou «-» pour régler la température (50°C à 200°C) et la durée (1 à 60 minutes ) requis pour le préchauffage.

#### **Remarque :**

- 1) Les boutons de menu, le minuteur et les boutons de température ne peuvent être réglés que lorsque le bouton 1, le bouton 2 ou le bouton de double cuisson clignote.
- 2) Pour de petites quantités d'aliments, vous pouvez cuisiner avec un seul panier. Sélectionnez un programme pour ce panier, puis appuyez sur le bouton pause / démarrage.
- 3) Lors de la cuisson dans les deux paniers, plus de temps de cuisson sera nécessaire.

#### **CONSEILS DE CUISSON**

1. La quantité optimale de frites croustillantes est de 450 à 600 grammes pour chaque panier.
2. Ajoutez 3 minutes de plus à la durée de la préparation quand l'appareil est froid ou vous pouvez aussi laisser l'appareil préchauffer pendant 4 minutes environ sans ingrédient à l'intérieur.
3. Certains ingrédients nécessitent d'être secoués à mi-cuisson. Pour secouer ou retourner les ingrédients, tirez le panier hors de l'appareil en saisissant sa poignée et secouez-le ou retournez les ingrédients avec une fourchette (ou une pince). Puis réinsérez le panier dans l'appareil.
4. La friteuse ne peut pas être utilisée pour réchauffer les ingrédients. Pour réchauffer les ingrédients, sélectionnez une température de 150 °C pour une durée de 10 minutes.
5. Les aliments recouverts de panure deviendront plus croquants si vous les recouvrez d'une petite quantité d'huile végétale.
6. Placez un moule ou un plat de four dans l'appareil si vous voulez cuire un gâteau, une quiche ou d'autres préparations fragiles.
7. Ne préparez pas d'ingrédients extrêmement gras (par exemple des saucisses) dans l'appareil.

#### **ATTENTION**

1. Ne pas immerger l'appareil ou le rincer sous le robinet.
2. Ne pas verser d'eau à l'intérieur de l'appareil, pour éviter les risques de choc électrique ou de court-circuit.
3. Veiller à ce que les aliments ne débordent pas du panier, pour éviter tout contact avec les éléments chauffants.
4. Ne pas bloquer l'entrée ni la sortie d'air lorsque l'appareil est en fonctionnement. Laissez un espace vide de 10 cm autour et au-dessus de l'appareil.
5. Remplir le panier avec de l'huile peut provoquer un incendie !
6. Ne touchez pas l'intérieur de l'appareil quand il est en fonctionnement.
7. L'appareil peut laisser échapper de l'air très chaud à son ouverture.

8. De l'air chaud est relâché par la sortie d'air pendant le fonctionnement. Veillez à ne pas approcher ni vos mains ni votre visage de l'appareil en fonctionnement.
9. Éteignez et débranchez immédiatement l'appareil si vous voyez de la fumée noire sortir de l'appareil, car cela indique que les ingrédients sont trop cuits ou que l'appareil est en panne.

#### TABLEAU DE FRITURE

Si les instructions sur l'emballage du produit s'écartent des valeurs indiquées dans ce tableau, les instructions sur l'emballage doivent être suivies. Ajoutez 3 minutes au temps de préparation avant de commencer la friture si l'appareil est froid.

Ingrédient	Montant par zone (g)	Tem. (°C)	Durée (min)		Plus d'informations
			Un panier	Deux paniers	
Carottes	450	200	13-16	25-30	Ajoutez 1 cuillère à soupe d'huile
Haricots verts	350	200	8-10	10-15	Ajoutez 1 cuillère à soupe d'huile
Champignons	250	200	7-9	13-15	Ajoutez 1 cuillère à soupe d'huile
Crevettes	450	180	7-10	10-13	Ajoutez 1 cuillère à soupe d'huile
Steaks	250	180	10-20	14-28	Brossées à l'huile
Frites	450	200	15-22	28-32	
Blancs de poulet	300	200	22-24	25-28	Brossées à l'huile
Côtelettes de porc	250	200	14-17	17-25	Brossées à l'huile
Nuggets de poulet	350	200	10-13	18-21	
Rouleaux de pizza	550	200	12-15	15-18	
Rondelles d'oignon	300	190	13-16	18-22	

#### NETTOYAGE ET ENTRETIEN

1. Attendez 30 minutes pour permettre à l'appareil de refroidir avant de le manipuler ou de le nettoyer. Nettoyez les surfaces internes et externes de l'appareil régulièrement.
2. Nettoyez les surfaces internes et externes de l'appareil avec un chiffon humide, puis séchez-les avec un chiffon sec et doux.
3. Ne jamais utiliser de nettoyeurs ni d'éponges abrasifs.
4. Retirez le panier pour laisser l'appareil refroidir plus rapidement. Nettoyez les paniers et les grilles de friture à l'eau chaude avec un liquide vaisselle et une éponge non abrasive. Séchez-les complètement avant réutilisation.
5. Nettoyez l'élément chauffant dans le boîtier (vous pouvez le voir après avoir sorti le panier) avec une brosse de nettoyage pour enlever les résidus alimentaires.

Remarque : Les paniers et la grille de fritures vont au lave-vaisselle.

#### DÉPANNAGE

Problème	Cause possible	Solution
<b>L'appareil ne fonctionne pas.</b>	L'appareil n'est pas branché.	Branchez le cordon d'alimentation à une prise murale avec mise à la terre.
	Vous n'avez pas appuyé sur le bouton pause/démarrage pour allumer l'appareil.	Appuyez sur le bouton pour mettre l'appareil en marche.
<b>Les ingrédients ne sont pas correctement frits.</b>	La quantité d'aliments dans le panier est trop élevée.	Cuisez les aliments en plus petites quantités. Une plus petite quantité permet d'assurer une cuisson plus homogène.
	La température est trop basse ou le temps de cuisson trop court.	Appuyez sur «+» pour régler la température sur une valeur appropriée ou augmenter la durée de cuisson.

<b>Les ingrédients sont frits de manière irrégulière.</b>	Certains aliments doivent être mélangés au milieu du temps de cuisson.	Mélangez les aliments au milieu du temps de cuisson.
<b>Les aliments frits ne sont pas croustillants</b>	Vous avez utilisé un type d'aliment qui doit être cuit dans une friteuse traditionnelle.	Utilisez des snacks pour four ou brossez un peu d'huile sur les aliments pour obtenir un résultat plus croustillant
<b>L'appareil émet de la fumée blanche.</b>	Les aliments que vous préparez sont riches en graisse.	Lorsque vous cuisez des aliments riches en graisse, de l'huile s'égoutte dans la plaque de recueil. L'huile émet de la fumée blanche et la plaque pourrait chauffer. Cela n'affecte en rien la cuisson et n'est pas dangereux pour l'appareil.
	La plaque contient des résidus de graisse venus d'une cuisson précédente.	Nettoyez la plaque avec précaution après chaque utilisation.
<b>Les frites fraîches sont cuites inégalement</b>	Vous n'avez pas utilisé le bon type de pomme de terre.	Utilisez des pommes de terre fraîches et assurez-vous qu'elles restent fermes pendant la friture
	Vous n'avez pas rincé correctement les frites avant de les mettre à frire.	Rincez correctement les frites pour enlever l'amidon de leur surface.
<b>Les frites ne sont pas croustillantes</b>	La texture des frites dépend de la quantité d'huile et d'eau dans les frites	Assurez-vous que les frites ont été séchées correctement avant d'ajouter l'huile.
		Coupez les pommes de terre de façon à obtenir des frites plus minces pour un résultat plus croustillant
		Ajoutez un peu plus d'huile pour que les frites soient bien croustillantes

## DONNEES TECHNIQUES

Tension de fonctionnement: 230V~ 50-60Hz

Puissance: 2400W

## GARANTIE ET SERVICE APRÈS-VENTE

Nos appareils sont soumis à un contrôle de qualité strict avant d'être livrés. Si l'appareil a toutefois été endommagé lors de la production ou du transport en dépit des soins que nous lui donnons, retournez l'appareil au vendeur.

Nous offrons une garantie de 2 ans pour l'appareil acheté à partir de la date de vente. En cas de produit défectueux, vous pouvez retourner directement au point de vente.

Les défauts dus à une utilisation non conforme de l'appareil et les dommages dus à une intervention ou réparation faite par une tierce personne ou dus à l'installation de pièces qui ne sont pas d'origine ne sont pas couverts par cette garantie. Conservez toujours votre reçu, car sans celui-ci vous ne pourrez réclamer aucune sorte de garantie. Les dommages causés par le non respect des instructions de ce manuel rendront la garantie caduque, Nous décline toute responsabilité en cas de dommages indirects. Nous décline toute responsabilité en cas de dégâts matériels ou de dommages corporels causés par une utilisation inappropriée ou si les instructions de sécurité n'ont pas été convenablement observées. Si les accessoires sont endommagés, cela ne signifie pas que toute la machine sera remplacée gratuitement. Dans de tels cas, veuillez contacter notre assistance. Des pièces brisées en verre ou en plastique sont toujours sujettes à des frais. Les défauts des consommables ou des pièces susceptibles de s'user, ainsi que le nettoyage, l'entretien ou la réparation desdites pièces ne sont pas couverts par la garantie et doivent donc être payés.





Le symbole de la poubelle barrée signifie que ce produit ne peut pas être éliminé avec les déchets ménagers usuels. Les équipements électroniques et électriques non compris dans le processus de tri sélectif sont potentiellement dangereux pour l'environnement et la santé humaine en raison de la présence de substances dangereuses. Veuillez les éliminer de manière responsable dans des centres approuvés de traitement ou recyclage des déchets.

Emerio B.V.

Oudeweg 115

2031 CC Haarlem

The Netherlands

**Customer service:**

T: +31 (0) 23 3034369

[www.emerio.eu/service](http://www.emerio.eu/service)

**Kundeninformation:**

T: +49 (0) 3222 1097 600

[www.emerio.eu/service](http://www.emerio.eu/service)

**Klantenservice:**

T: +31 (0) 23 3034369

[www.emerio.eu/service](http://www.emerio.eu/service)

Looking for spare parts? Have a look at <https://spareparts.emerio.eu>

Sie brauchen Ersatzteile? Besuchen Sie <https://ersatzteile.emerio.eu>

Onderdelen nodig? Kijk op <https://onderdelen.emerio.eu>



SERVICE CLIENT



PIÈCES DÉTACHÉES

## Bruksanvisning – Swedish

### SÄKERHETSANVISNINGAR

Före användning och för att erhålla bästa resultat från apparaten, var noga med att läsa igenom alla instruktioner nedan för att undvika skada på person eller egendom. Se till att förvara denna bruksanvisning på en säker plats. Om du ger bort eller överlåter denna apparat till någon, se till att även inkludera denna bruksanvisning.

Vid skador som orsakats av att användaren inte följer instruktionerna i denna bruksanvisning ogiltighetsförklaras garantin. Tillverkaren/importören tar inget ansvar för skador som orsakats av underlåtenhet att följa bruksanvisningen, vid en vårdslös användning eller användning som inte är i enlighet med kraven i denna bruksanvisning.

1. Denna apparat kan användas av barn från 8 år och uppåt, samt av personer med nedsatt fysisk, sensorisk eller mental förmåga eller av personer som saknar erfarenhet och kunskap under förutsättning att de övervakas eller mottagit instruktioner för säker användning av apparaten och förstår riskerna.
2. Barn får inte leka med apparaten.
3. Rengöring och underhåll får inte utföras av barn såvida de inte är äldre än 8 år och övervakas.
4. Håll apparaten och dess strömkabel utom räckhåll för barn under 8 år.
5. Om strömkabeln är skadad måste den bytas ut av tillverkaren, dess servicerepresentant eller liknande kvalificerad person för att undvika fara.
6. Se avsnittet "rengöring och underhåll" i bruksanvisningen för instruktioner om hur man rengör ytor som kommit i kontakt med mat eller olja.
7. Denna apparat är inte avsedd för användning med en extern timer eller ett separat fjärrstyrningssystem.
8. Denna apparat är avsedd för användning i hushållet och liknande tillämpningar som t.ex.: Personalkök i butiker, kontor och andra arbetsmiljöer; bondgårdar; av kunder i hotell, motell och andra bostadsmiljöer; bed and breakfast-hotell.
9. Innan du ansluter strömkontakten till eluttaget, kontrollera att spänningen och frekvensen överensstämmer med specifikationerna på märkplåten.
10. Dra ut strömkontakten från eluttaget när apparaten inte används och före rengöring.
11. Om en förlängningskabel används måste den vara lämplig för apparatens strömförbrukning, annars kan överhettning av förlängningsskabeln och/eller strömkontakten inträffa. Det finns en eventuell risk för personskador om man snubblar över förlängningskabeln. Var noga med att undvika att skapa farliga situationer.
12. Säkerställ att strömkabeln inte hänger över någon skarp kant och håll den borta från varma föremål och öppen eld.
13. Sänk inte ner apparaten eller strömkontakten i vatten eller någon annan vätska. Det är livsfarligt på grund av elektriska stötar!
14. För att dra ut strömkontakten från eluttaget, dra ut den via strömkontakten. Dra inte i strömkabeln.
15. Vidrör inte apparaten om den faller ner i vatten. Dra ut strömkontakten från eluttaget, stäng av apparaten och lämna in den på ett auktoriserat servicecenter för reparation.
16. Du får inte koppla in eller dra ut apparaten från eluttaget med blöta händer.
17. Försök aldrig att öppna apparatens hölje eller reparera den själv. Det kan orsaka elektriska stötar.
18. Lämna aldrig apparaten obevakad vid användning.
19. Denna apparat är inte utvecklad för kommersiell användning.
20. Använd inte apparaten för något annat ändamål än den är avsedd för.
21. Linda inte kabeln runt apparaten och undvik att böja den.
22. Placera apparaten på en stabil, jämn yta som den inte kan falla ner från.
23. Se till att produkten inte utsätts för mycket smuts och fukt.

24. Rengör själva produkten med en något fuktad trasa.
25. Använd inte maskinen utan tillsyn. Om du lämnar arbetsområdet, stäng alltid av maskinen eller dra ut strömkontakten från eluttaget (dra i själva kontakten, inte i kabeln).
26. Placera inte apparaten mot en vägg eller en annan apparat. Lämna ett fritt avstånd på minst 10 cm på baksidan, sidorna och ovanför apparaten.
27. Vid varmluftsfritering släpps het ånga ut genom luftutsläppen. Håll händer och ansikte på ett säkert avstånd från ångan och luftutsläppen. Var även uppmärksam på den heta ångan och luften när pannan tas ut ur apparaten.
28. Dra omedelbart ut apparatens strömkontakt ur eluttaget om det kommer mörk rök från apparaten. Vänta tills röken avtagit helt innan pannan tas ut ur apparaten.
29. Kontrollera alltid innan apparaten används att värmeelementet och omgivningen är ren och fri från matrester för att säkerställa en perfekt funktion.



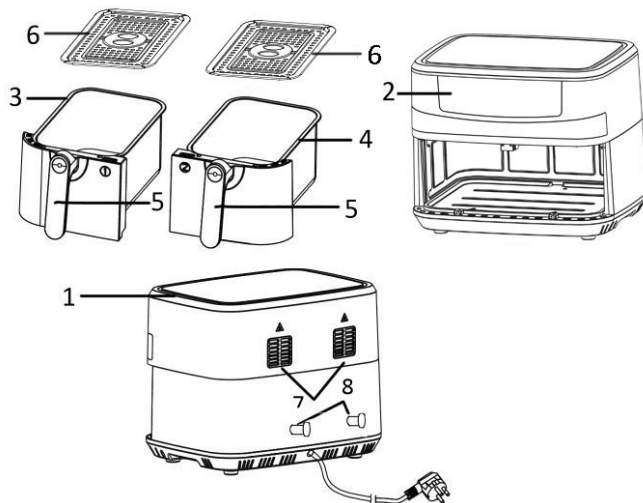
30. Varning, het yta.

**WARNING!** Vidrör inte ytan vid användning. Temperaturen för åtkomliga ytor kan vara mycket hög när apparaten används.

31. Varm luft strömmar ut ur luftventilen på baksidan av apparaten. Var noga med att hålla ett tillräckligt avstånd till material, t.ex. glas, som är känsligt för värme.
32. Om du använder produkter med teflonyta, se till att inga fåglar är i samma rum och att rummet kan stängas igen helt och är väl ventilerat.
33. Ta alltid bort bakpapperet från korgen efter användning och innan/under förvärmning utan livsmedel.

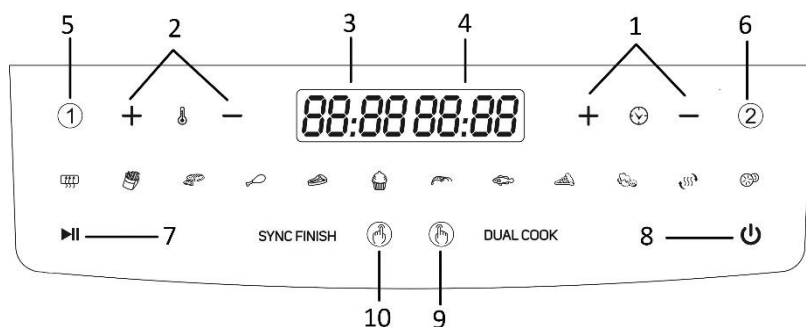
#### BESKRIVNING AV DELAR

1. Luftintag
2. Kontrollpanel och display
3. Korg 1
4. Korg 2
5. Korghandtag
6. Stekgaller
7. Luftutsläpp
8. Förvaringsutrymme för strömkabel



#### Kontrollpanel och display

1. Timerreglage (tryck "+" eller "-" för att ändra tiden från 1 till 60 minuter)
2. Temperaturreglage (tryck "+" eller "-" för att ändra temperaturen från 50°C till 200°C)
3. Timer- och temperaturdisplay för korg 1
4. Timer- och temperaturdisplay för korg 2
5. Knapp 1 för korg 1
6. Knapp 2 för korg 2
7. Paus-/stoppknapp
8. Standby-/avbrytningsknapp
9. Knapp för bubbel tillagning
10. Synkroniserad avslutningsknapp



## Menyknappar

meny	Standardtid (min)	Standardtemperatur (°C)
Förvärmning	3	180
Pommis frites	18	200
Kött	12	200
Kycklingklubba	20	200
Biff	12	180
Kaka	25	160
Räkor	8	180
Fisk	10	180
Pizza	20	180
Grönsaker	10	160
Återuppvärmning	15	150
Torka	360 (Inställbara tidsintervall: från 30 minuter till 24 timmar)	60

## FÖRE ANVÄNDNING

Läs först igenom alla instruktioner före användning och spara bruksanvisningen för framtida bruk. Anslut endast apparaten till ett jordat eluttag. Ta bort allt förpackningsmaterial före första användning. Rengör korgarna och frituregrillarna. (Se "RENGÖRING OCH UNDERHÅLL"). Torka av apparatens in- och utsida med en mjuk trasa. Se till att de elektriska delarna alltid är torra. **Denna apparat värmer upp maten från alla håll och de flesta ingredienserna behöver ingen olja.**

Innan du använder apparaten första gången kör du den i ungefär 10 min för att bränna av tillverkningsrester. Se till att det är bra ventilation. Apparaten kan avge en del rök och en karakteristisk lukt när du slår på den första gången. Detta är normalt och slutar snart.

**Obs!** Använd alltid frituregrillen med silikonfötterna monterade. De hjälper till att stabilisera stekgallret under tillagning.

## ANVÄNDNING

1. Placera apparaten på en torr, stabil och värmebeständig yta.
2. Eftersom apparaten blir het vid användning, säkerställ att den inte står för nära några andra föremål.
3. Dra ut korgen ur apparaten via korghandtaget. Placera stekgallret i korgen.

4. Placera ingredienserna i korgen (överskrid inte MAX-nivån som indikeras inuti korgen). Skjut in korgen i apparaten. Se till att de är monterade korrekt och ordentligt stängda.  
Varning! Fyll inte korgen med olja eller någon annan vätska. Rör inte korgen under eller kort tid efter användning eftersom den blir mycket varm. Håll endast korgen via handtaget.
5. Anslut strömkontakten till ett lämpligt eluttag. Maskinen är nu i standbyläge. Tryck på standbyknappen "⏻", alla ikoner kommer att visas i kontrollpanelen.
6. Tryck på knapp 1, tryck sedan på menyknapparna för att välja tillagningsfunktion och ställ in tiden och temperaturen för korg 1, du kan trycka på "+" eller "-" för att ställa in tiden (1 minut/tryckning) och temperaturen (10 grader/tryckning). Du kan också trycka länge på "+" eller "-" för snabbinställning.
7. Tryck på knapp 2, tryck sedan på menyknapparna för att välja tillagningsfunktion och temperatur för korg 2.
8. Tryck länge på paus-/startknappen; apparaten börjar arbeta. Korgen med kortast arbetstid kommer att avsluta först.
9. När tillagningsprocessen är klar kommer apparaten att sluta arbeta med ett pipande ljud. Du kan också manuellt stänga av apparaten genom att trycka på knappen "⏻".  
Under arbetet kan du trycka på pausknappen för att pausa programmet och tryck på den igen för att fortsätta programmet.
10. Dra ut korgen från apparaten med hjälp av korghandtagen. Kontrollera om ingredienserna är färdiga. Om inte, skjut tillbaka korgen in i apparaten. Välj meny för att ställa in temperaturen och timer för några extra minuter. Tryck sedan på paus-/startknappen för att starta apparaten igen. NOTERA: Du kan också dra ut korgen för att kontrollera och skaka ingredienserna under tillagningsprocessen.
11. För att ta bort ingredienser (t.ex. biff, kyckling, kött) i originalolja och samla upp överbliven olja i botten av korgen under stekning, använd tången för att plocka upp en ingrediens i taget.  
För att ta bort ingredienser (t.ex. chips, grönsaker) utan överbliven olja i botten av korgen under tillagning, dra ut korgen och håll ut ingredienserna i en skål/tallrik.  
Obs! Korgen och ingredienserna är varma efter tillagningen. Beroende på typen av ingredienser i apparaten kan ånga frigöras från dropplådan.
12. När tillagningen är klar är apparaten omedelbart redo för en ny omgång ingredienser om så önskas.

### **Synkroniserad avslutningsfunktion**

- 1) Tryck på knappen "SYNC FINISH", ikonen blinkar.
- 2) Tryck på knapp 1 för att ställa in tillagningsprogrammet för korg 1;
- 3) tryck på knapp 2 för att ställa in ett tillagningsprogram för korg 2.
- 4) Tryck på paus-/startknappen, zonen med mer arbetstid kommer att starta först. Andra zonen med mindre arbetstid kommer att starta senare. Båda zonerna kommer att avsluta arbetet tillsammans.

### **Dubbel tillagningsfunktion**

- 1) Tryck på knappen "DUAL COOK", tryck sedan på menyknapparna för att välja tillagningsfunktion och ställa in tiden och temperaturen för båda zonerna. De kommer att arbeta med samma program.
- 2) Tryck på paus-/startknappen; apparaten börjar arbeta.

### **Förvärmningsfunktion**

Tryck på knapp "☺☺☺" och tryck sedan på "+" eller "-" för att ställa in temperaturen (50 °C till 200 °C) och tiden (1 till 60 minuter) krävs för förvärmning.

### **Notera:**

- 1) Menyknapparna, timer- och temperaturknapparna kan endast ställas in när knapp 1, knapp 2 eller dubbla tillagningsknappen blinkar.
- 2) För små mängder mat kan du tillaga med endast en korg. Välj ett program för den korgen och tryck sedan på paus-/startknappen.
- 3) Vid tillagning i båda zonerna kommer mer tillagningstid att behövas.

### TILLAGNINGSTIPS

1. Den optimala mängden för krispiga pommes frites är 450-600 gram för varje korg.
2. Lägg på tre minuter på tillagningstiden när apparaten är kall, eller låt apparaten förvärmas i cirka 4 minuter utan ingredienser.
3. Vissa ingredienser kräver att de skakas om efter halva tillagningstiden. För att skaka om eller vända ingredienserna, dra ut korgen ur apparaten via handtaget och skaka eller vänd på ingredienserna med en gaffel (eller tång). Skjut sedan in korgen i apparaten igen.
4. Du kan också använda fritösen för att värma upp ingredienser. För att värma upp ingredienser igen, ställ temperaturen på 150°C i upp till 10 minuter.
5. Produkter med skorpa eller torra brödsmlor blir krispigare om de sprayas med lite vegetabilisk olja.
6. Placera en bakform eller en ugnform i korgen om du vill baka en kaka, paj eller andra ömtåliga ingredienser.
7. Tillaga inte extremt feta ingredienser som t.ex. korv i apparaten.

### VARNING:

1. Sänk inte ner kåpan i vatten och skölj den inte under kranen.
2. Undvik att vätska kommer in i apparaten, för att förebygga elektriska stötar eller kortslutning.
3. Se till att alla ingredienser ligger i korgen för att undvika kontakt med uppvärmningselementen.
4. Täck inte över luftintaget och luftutsläppet när apparaten är igång. Lämna ett fritt utrymme på minst 10 cm runt och ovanför apparaten.
5. Fylla på korgen med olja kan utgöra en brandrisk!
6. Vidrör inte insidan på apparaten när den är i drift.
7. Var försiktig med den heta ångan och luften när du tar ut korgen ur apparaten.
8. Under användning släpps het ånga ut genom luftutsläppet. Håll händer och ansikte på säkert avstånd från ångan och luftutsläppet.
9. Stäng omedelbart av apparaten och dra ut strömkabeln ur eluttaget om mörk rök tränger ut från apparaten. Detta beror på att maten har friterats för länge eller att apparaten gått sönder.

### FRITERINGSTABELL

Om instruktionerna på produktförpackningen avviker från värdena som visas i denna tabell, skall instruktionerna på förpackningen följas. Lägg till 3 minuter på förberedelsestiden innan du börjar fritera om apparaten är kall.

Ingrediens	Mängd per zon (g)	Temp. (°C)	Tid (min)		Extra information
			En enda zon	Dubbla zoner	
Morötter	450	200	13-16	25-30	Tillsätt 1 msk olja
Gröna bönor (haricots verts)	350	200	8-10	10-15	Tillsätt 1 msk olja
Svamp	250	200	7-9	13-15	Tillsätt 1 msk olja
Räkor	450	180	7-10	10-13	Tillsätt 1 msk olja
Kött	250	180	10-20	14-28	Borstade med olja
Pommes frites	450	200	15-22	28-32	
Kycklingbröst	300	200	22-24	25-28	Borstade med olja

Fläskkotletter	250	200	14-17	17-25	Borstade med olja
Kycklingnuggets	350	200	10-13	18-21	
Pizzarullar	550	200	12-15	15-18	
Lökringar	300	190	13-16	18-22	

## RENGÖRING OCH UNDERHÅLL

1. Före hantering eller rengöring av apparaten, låt den svalna i ungefär 30 minuter. Rengör hela insidan och utsidan av apparaten regelbundet.
2. Rengör utsidan och insidan av apparaten med en fuktig trasa och torka med en mjuk, ren trasa.
3. Använd aldrig frätande rengöringsmedel och inte svampar som river.
4. Dra ut korgen för att apparaten ska svalna snabbare. Rengör korgen och friteringsgallret i hett vatten med diskmedel och en icke-slipande svamp. Låt torka väl före användning.
5. Rengör värmeelementet inuti höljet (syns efter att korgen dragits ut) med en rengöringsborste för att ta bort eventuella matrester.

Notera: Korgarna och frityrgallern är diskmaskinssäkra.

## FELSÖKNING

Problem	Möjlig orsak	Lösning
Apparaten fungerar inte.	Apparaten är inte inkopplad.	Sätt i kontakten i ett jordat uttag.
	Du har inte tryckt på paus-/startknappen för att slå på maskinen.	Tryck på knappen för att slå på apparaten.

Ingredienserna är inte tillräckligt tillagade.	Mängden mat i korgen är alltför stor.	Lägg mindre mängd mat i korgen. Mindre mängder tillagas jämnare.
	Temperaturen är för låg eller tiden inte tillräcklig.	Tryck på "+" för att justera temperaturen eller lägg till extra tillagningstid.
Ingredienserna tillagas ojämnt.	Olika typer av livsmedel kan behöva skakas om efter halva tillagningstiden.	Skaka om efter halva tillagningstiden
Friterade snacks är inte krispiga	Du har använt en typ av snacks, som ska lagas till i traditionell fritös.	Använd ugnssnacks eller pensla tunt med olja på snacksen för ett krispigare resultat.
Det kommer ut vit rök ur apparaten.	Du tillagar feta ingredienser.	När du friterar ingredienser kommer olja att läcka ner i droplådan. Oljan alstrar vit rök och droplådan kan värmas upp. Detta påverkar inte tillagningsresultatet och skadar inte apparaten.
	Droplådan innehåller fortfarande fettrester från tidigare användning.	Rengör droplådan ordentligt efter varje användning.
Färska frites är ojämnt friterade	Du har inte använt rätt typ av potatis.	Använd färska potatisar och se till att de förblir fasta under friteringen,
	Du har inte sköljt potatisstavarna ordentligt före friteringen.	Skölj potatisstavarna ordentligt för att få bort stärkelsen från utsidan av stavarna.
Färska frites är inte krispiga	Friteskrispigheten är beroende av mängden olja och vatten de innehåller	Se till att potatisstavarna torkats ordentligt innan oljan tillsätts.
		Skär potatisstavarna mindre för ett krispigare resultat
		Tillsätt aningen mer olja för ett krispigare resultat

## TEKNISKA DATA

Driftsspänning: 230V ~ 50-60Hz

Strömförbrukning: 2400W

## GARANTI OCH KUNDTJÄNST

Innan leverans genomgår våra apparater en sträng kvalitetskontroll. Om trots detta någon skada skulle uppstått vid produktionen eller vid transporten, ber vi dig att ta med apparaten tillbaka till inköpsstället.

För den köpta apparaten ges 2 års garanti, med början på inköpsdagen. Om du har en defekt produkt, kan du vända dig direkt till inköpsstället.

Brister som uppstår genom icke fackmässig behandling av apparaten och fel som uppstår genom ingrepp och reparationer av tredje man eller montering av främmande delar, omfattas ej av vår garanti. Behåll alltid ditt kvitto. Utan kvitto kan du inte begära någon som helst garanti. Skador som uppstår p.g.a. att instruktionsmanualen inte följs ogiltigförklarar garantin och om detta leder till påföljande skador så kan inte vi hållas ansvariga. Vi kan inte hållas ansvariga för materiella skador eller personskador som orsakas av felaktig användning eller om inte säkerhetsföreskrifterna följs. Skador på tillbehören innebär inte per automatik ersättning av hela apparaten. I sådana fall ska du kontakta vår kundservice. Trasigt glas och trasiga plastdelar innebär alltid en kostnad. Defekter på förbrukningsartiklar eller slitdelar och även skador orsakade av rengöring, underhåll eller byte av tidigare nämnda delar täcks inte av garantin och ska således betalas av ägaren.



Den överkorsade soptunnan betyder att denna produkt inte skall kastas i de vanliga hushållssoporna. Elektronisk och elektrisk utrustning som inte källsorteras utgör en potentiell risk för miljön och människors hälsa på grund av att de innehåller farliga substanser. Avyttra på ett ansvarsfullt sätt och lämna till en godkänd återvinningsanläggning.

Emerio B.V.

Oudeweg 115

2031 CC Haarlem

The Netherlands

**Customer service:**

T: +31 (0) 23 3034369

[www.emerio.eu/service](http://www.emerio.eu/service)

**Kundeninformation:**

T: +49 (0) 3222 1097 600

[www.emerio.eu/service](http://www.emerio.eu/service)

**Klantenservice:**

T: +31 (0) 23 3034369

[www.emerio.eu/service](http://www.emerio.eu/service)

Looking for spare parts? Have a look at <https://spareparts.emerio.eu>

Sie brauchen Ersatzteile? Besuchen Sie <https://ersatzteile.emerio.eu>

Onderdelen nodig? Kijk op <https://onderdelen.emerio.eu>



KUNDTJÄNST



RESERVDELAR



## Gebruiksaanwijzing – Dutch

### VEILIGHEIDSVOORSCHRIFTEN

Voor gebruik dient u alle onderstaande instructies te lezen om letsel en schade te voorkomen en om de beste resultaten met het apparaat te bereiken. Bewaar deze handleiding op een veilige plek. Mocht u dit apparaat aan iemand anders overhandigen, dient u ook de gebruiksaanwijzing te overhandigen.

In geval van schade die wordt veroorzaakt doordat de gebruiker de instructies in deze gebruiksaanwijzing niet in acht heeft genomen, komt de garantie te vervallen. De fabrikant/importeur is niet aansprakelijk voor schade die wordt veroorzaakt door het niet in acht nemen van de gebruiksaanwijzing, door nalatig gebruik of gebruik dat niet in overeenstemming is met de bepalingen van deze gebruiksaanwijzing.

1. Dit apparaat mag worden gebruikt door kinderen vanaf 8 jaar en personen met beperkte fysieke, visuele of mentale vaardigheden, of die een gebrek aan ervaring en kennis hebben, indien ze gepaste instructies hebben gekregen zodat ze het apparaat op een veilige manier kunnen gebruiken, op de hoogte zijn van de gevaren die het gebruik van het apparaat met zich meebrengt en deze gevaren begrijpen.
2. Laat kinderen niet met het apparaat spelen.
3. Laat het reinigen en het onderhoud van het apparaat niet uitvoeren door kinderen tenzij ze ouder zijn dan 8 jaar en onder toezicht staan.
4. Houd het apparaat en snoer buiten het bereik van kinderen jonger dan 8 jaar.
5. Als het snoer is beschadigd, moet het worden vervangen door de fabrikant, zijn klantenservice of gelijksoortig geschoolde personen om gevaar te vermijden.
6. Met het oog op de instructies voor de reiniging van de oppervlakken die in contact kunnen komen met voedsel of olie, dient u de instructies in de paragraaf "Reiniging en onderhoud" van de gebruiksaanwijzing in acht te nemen.
7. Dit apparaat is niet bestemd voor gebruik door middel van een externe timer of een afzonderlijk op afstand bestuurd systeem.
8. Dit apparaat is bestemd voor het gebruik in huishoudens en soortgelijke toepassingen zoals: personeelskeukens in winkels, kantoren of werkplekken; boerderijen; door gasten in hotels, motels en andere types van huisvesting; bed and breakfasts en vergelijkbare instellingen.
9. Voordat u de stekker in het stopcontact steekt, dient u te controleren of de stroom en de frequentie overeen komen met de specificaties van het typeplaatje.
10. Trek de stekker uit het stopcontact als het apparaat niet in gebruik is en voordat u het apparaat reinigt.
11. Als u gebruik maakt van een verlengkabel, dient dit geschikt te zijn voor het stroomverbruik van het apparaat, anders kan oververhitting van de verlengkabel en/of stekker het gevolg zijn. Er is risico op letsel door het struikelen over het verlengsnoer. Wees voorzichtig om gevaarlijke situaties te vermijden.
12. Let op dat de stroomkabel niet over scherpe randen hangt en niet in de buurt komt van hete voorwerpen en open vuur.
13. Dompel het apparaat of de stekker niet onder in water of andere vloeistoffen. Er bestaat levensgevaar als gevolg van een elektrische schok!
14. Om de stekker uit het stopcontact te halen, dient u aan de stekker zelf te trekken. Trek niet aan de stroomkabel.
15. Raak het apparaat niet aan als het in water is gevallen. Trek de stekker uit het stopcontact, schakel het apparaat uit en breng het ter reparatie naar een geautoriseerd servicecenter.
16. Steek de stekker niet in het stopcontact en haal hem er niet uit als u natte handen heeft.
17. Probeer nooit de behuizing van het apparaat te openen en probeer nooit zelf het apparaat te repareren. Dit kan een elektrische schok veroorzaken.
18. Laat het apparaat nooit onbeheerd achter wanneer het in gebruik is.
19. Dit apparaat werd niet ontworpen voor commercieel gebruik.

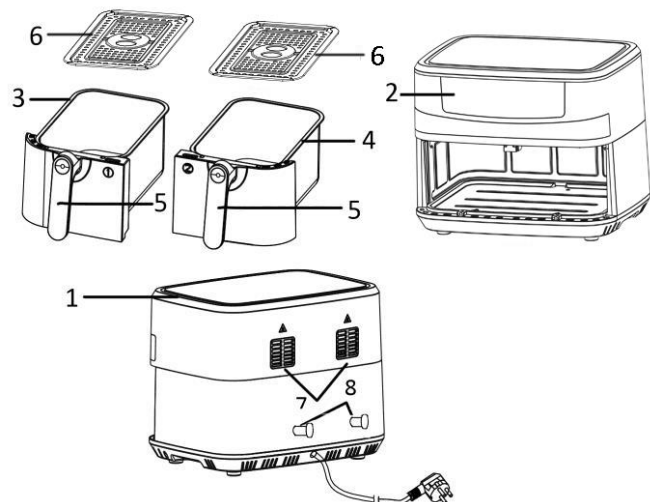
20. Gebruik het apparaat niet voor andere doeleinden dan het beoogde doel.
21. Draai de kabel niet om het apparaat en buig hem niet.
22. Plaats het apparaat op een stabiele, vlakke ondergrond waar het niet vanaf kan vallen.
23. Voorkom dat het product wordt blootgesteld aan excessieve verontreiniging en vocht.
24. Reinig het product zelf met een licht bevochtigde doek.
25. Gebruik de machine niet zonder toezicht. Als u de werkplek verlaat, dient u de machine altijd uit te schakelen of de stekker uit het stopcontact te trekken (trek aan de stekker zelf, niet aan de kabel).
26. Plaats het apparaat niet tegen een muur of tegen een ander apparaat. Laat minstens 10 cm ruimte aan de achterkant, de zijkanten en boven het apparaat vrij.
27. Tijdens het frituren met hete lucht komt er hete stoom uit de ventilatieopeningen. Houd uw handen en gezicht op een veilige afstand van de stoom en van de ventilatieopeningen. Let bovendien ook op hete stoom en lucht als u de pan uit het apparaat haalt.
28. Trek de stekker direct uit het stopcontact als u ziet dat donkere rook uit het apparaat ontsnapt. Wacht totdat de rook is opgelost en verwijder dan de pan uit het apparaat.
29. Zorg dat het verwarmingselement en de aangrenzende delen voor elk gebruik schoon en vrij van etensresten zijn om een perfecte werking te waarborgen.



30. **Opgelet, heet oppervlak.**  
**WAARSCHUWING!!** Raak het oppervlak niet aan tijdens het gebruik. De temperatuur van de toegankelijke oppervlakken kan hoog oplopen als het apparaat in werking is.
31. Hete lucht komt uit de ventilatie opening aan de achterkant van het apparaat. Zorg voor voldoende ruimte tot materialen die gevoelig zijn voor warmte, zoals glas.
32. Als u producten met een antiaanbaklaag gebruikt, dient u ervoor te zorgen dat zich geen vogels in dezelfde ruimte bevinden en dat de ruimte compleet kan worden gesloten en goed geventileerd wordt.
33. Haal bakpapier altijd uit het mandje na gebruik en tijdens het voorverwarmen zonder voedsel.

#### OMSCHRIJVING ONDERDELEN

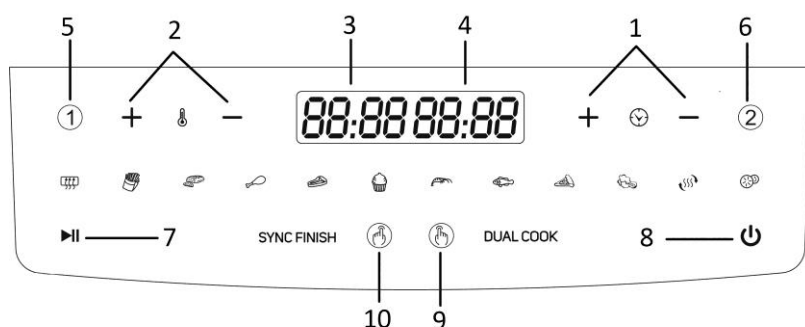
1. Luchtinlaat
2. Bedieningspaneel en scherm
3. Mandje 1
4. Mandje 2
5. Handvat mandje
6. Bakrooster
7. Luchtuitlaat
8. Snoeropslag



#### Bedieningspaneel en scherm

1. Timer (Druk op "+" of "-" om de tijd in te stellen van 1 tot 60 minuten)
2. Temperatuurregeling (Druk op "+" of "-" om de temperatuur in te stellen van 50°C tot 200°C)
3. Tijd- en temperatuurweergave voor mand 1
4. Tijd- en temperatuurweergave voor mand 2
5. Knop 1 voor mand 1
6. Knop 2 voor mand 2
7. Pauze/start-knop

8. Stand-by/annuleren-knop
9. Dual cook-knop
10. Sync finish-knop



### Menuknoppen

menu	Standaard tijd (min)	Standaard temperatuur (°C)
Voorverwarmen	3	180
Friet	18	200
Vlees	12	200
Kippenbouten	20	200
Steak	12	180
Cake	25	160
Garnaal	8	180
Vis	10	180
Pizza	20	180
Groente	10	160
Opwarmen	15	150
Dehydrateren	360 (Instelbare tijd: 0,5 uur tot 24 uur)	60

### VOOR GEBRUIK

Lees alle aanwijzingen voordat u het apparaat gaat gebruiken en bewaar deze om later nog eens na te kunnen kijken. Steek de stekker alleen in een geaard stopcontact. Voor het eerste gebruik dient u de verpakkingsmaterialen te verwijderen. Reinig de manden en de bakroosters. (Zie "Reinigen en onderhoud") Veeg de binnen- en buitenkant van het apparaat schoon met een zachte doek. Zorg dat de elektrische onderdelen droog blijven. **Dit apparaat verhit voedsel rondom en de meeste ingrediënten hebben geen olie nodig.**

Zet het apparaat de eerste keer ongeveer 10 minuten aan om de achtergebleven restanten van de productie weg te branden. Zorg voor goede ventilatie. Het apparaat kan wat rook en een karakteristieke geur afscheiden als u het voor de eerste keer aanzet. Dit is normaal en zal snel ophouden.

**Opmerking:** Gebruik het bakrooster altijd met de siliconen voetjes bevestigd. Dit zorgt voor een stabiele positie van het bakrooster in de mand tijdens het bakproces.

### GEBRUIK

1. Plaats het apparaat op een droog, stabiel en hittebestendig oppervlak.

2. Omdat het apparaat heet wordt tijdens het gebruik, dient u ervoor te zorgen dat het niet te dicht bij andere objecten staat.
3. Trek de mand uit het apparaat met behulp van de handgreep. Plaats het bakrooster in de mand.
4. Plaats de ingrediënten in het mandje. (Ga niet over de MAX markering in het mandje heen.) Schuif de mand in het apparaat. Zorg dat ze correct geplaatst en volledig gesloten zijn.  
Voorzichtig: Vul het mandje niet met olie of een andere vloeistof. Raak de mand tijdens en kort na gebruik niet aan, ze wordt zeer warm. Houd de pan alleen bij de handgreep vast.
5. Steek de stekker in een gepast stopcontact. Het apparaat staat nu in stand-by. Druk op de stand-byknop "⏻" en alle pictogrammen worden in het bedieningspaneel weergegeven.
6. Druk op de knop 1 en druk vervolgens op de menuknoppen om de bakfunctie te kiezen en de tijd en temperatuur voor mand 1 aan te passen. Druk op "+" of "-" om de tijd (1 minuut per druk) en de temperatuur (10 graden per druk) aan te passen. U kunt tevens lang op "+" of "-" drukken om de instelling snel te doorlopen.
7. Druk op de knop 2, druk vervolgens op de menuknoppen om de bakfunctie te kiezen en pas de tijd en temperatuur voor mand 2 aan.
8. Druk op de pauze/start-knop en het apparaat treedt in werking. De mand met de kortste werkingstijd zal eerst eindigen.
9. Wanneer het bakproces beëindigd is, stopt het apparaat met werken en hoort u een geluidssignaal. U kunt het apparaat tevens handmatig uitschakelen door op de knop "⏻" te drukken.  
U kunt tijdens de werking op de pauze-knop drukken om het programma te pauzeren. Druk opnieuw om het programma te hervatten.
10. Trek de mand uit het apparaat met behulp van de handgreep. Controleer of de ingrediënten gaar zijn. Als dit niet het geval is, schuif de mand opnieuw in het apparaat. Selecteer het menu om de temperatuur in te stellen en de timer op enkele extra minuten te zetten. Druk dan op de pauze/start-knop om het apparaat opnieuw in te schakelen. OPMERKING: U kunt de mand tijdens het bakproces tevens uittrekken en de ingrediënten schudden.
11. Om ingrediënten (bijv. rundvlees, kip, vlees) die olie bevatten, en waarvan de overtollige olie in de bodem van de mand wordt opgevangen, uit te halen, gebruik een tang om de ingrediënten één voor één te verwijderen.  
Om ingrediënten (bijv. friet, groente) zonder overtollige olie in de bodem van de mand, uit te halen, trek de mand uit en breng de ingrediënten over naar een schaal.  
Let op: De mand en de ingrediënten zijn heet na het bakproces. Afhankelijk van het soort ingrediënten dat u gebruikt, kan er stoom uit de pan ontsnappen.
12. Als de bereidingstijd voorbij is, is het apparaat meteen gereed voor het bereiden van een volgende portie als dit nodig is.


### **Sync finish-functie**

- 1) Druk op de "SYNC FINISH"-knop en het pictogram knippert.
- 2) Druk op de knop 1 om een bakprogramma voor mand 1 in te stellen;
- 3) Druk op de knop 2 om een bakprogramma voor mand 2 in te stellen.
- 4) Druk op de pauze/start-knop en de zone met de langste werkingstijd zal als eerste starten. De andere zone met de kortere werkingstijd zal later starten. Beide zones zullen op hetzelfde moment eindigen.

### **Dual cook-functie**

- 1) Druk op de "DUAL COOK"-knop, druk vervolgens op de menuknoppen om de kookfunctie te kiezen en pas de tijd en temperatuur voor beide zones aan. Ze zullen in hetzelfde programma werken.
- 2) Druk op de pauze/start-knop en het apparaat treedt in werking.

## Voorverwarmen-functie

Druk op de knop  en druk dan op “+” of “-” om de temperatuur (50°C tot 200°C) en tijd (1 tot 60 minutes) nodig voor het voorverwarmen aan te passen.

### Opmerking:

- 1) De menuknoppen, timer- en temperatuurknoppen kunnen alleen worden aangepast wanneer knop 1, knop 2 of de dual cook-knop knippert.
- 2) Voor kleine hoeveelheden voedsel, kunt u slechts met één mand koken. Selecteer een programma voor de mand en druk vervolgens op de pauze/start-knop.
- 3) Een langere kooktijd is nodig wanneer in beide zones wordt gekookt.

## FRITUURTIPS

1. De optimale hoeveelheid voor het bakken van friet is 450-600 gram per mand.
2. Voeg 3 extra minuten aan de bereidingstijd toe wanneer het apparaat koud is of laat het apparaat circa 4 minuten voorverwarmen zonder ingrediënten in het apparaat.
3. Het is nodig om bepaalde ingrediënten aan de helft van de bereidingstijd te schudden. Om de levensmiddelen te schudden of om te draaien, trek de mand via de handgreep uit het apparaat en schud de mand of draai de ingrediënten om met een vork (of tang). Schuif de mand vervolgens opnieuw in het apparaat.
4. U kunt de smart fryer ook gebruiken voor het opnieuw verwarmen van ingrediënten. Voor het opnieuw verwarmen, stel de temperatuur in op 150 °C gedurende 10 minuten.
5. Producten met een korst of paneerlaag worden knapperiger als u deze eerst licht inspuit met wat plantaardige olie.
6. Plaats een bakvorm of een ovenschaal in het apparaat, als u een cake, quiche of ander gevoelig gerecht wilt bakken.
7. Bak geen extreem vette ingrediënten, zoals worst, in het apparaat.

## VOORZICHTIG:

1. Dompel het apparaat nooit onder in water en spoel het niet af onder de kraan.
2. Voorkom dat er vloeistof het apparaat binnen kan dringen om elektrische schokken of kortsluiting te voorkomen.
3. Houd alle ingrediënten in het mandje om contact met de verwarmingselementen te voorkomen.
4. Dek de luchtinlaat en -uitlaat niet af als het apparaat in werking is. Laat een vrije ruimte van minstens 10 cm rond en boven het apparaat.
5. Het vullen van de mand met olie kan brandgevaar opleveren!
6. Raak de binnenkant van het apparaat niet aan wanneer in werking.
7. Kijk uit voor de hete lucht en stoom wanneer u het mandje uit het apparaat haalt.
8. Tijdens de bereiding komt er hete stoom uit de luchtuitlaat. Houd uw handen en gezicht op veilige afstand van de stoom en de luchtuitlaat.
9. Schakel het apparaat onmiddellijk uit en haal de stekker uit het stopcontact als donkere rook wordt afgegeven. Dit betekent dat het voedsel te veel is gekookt of het apparaat defect is.

## FRITUURTABEL

Als de aanwijzingen op de verpakking van het product verschillen van de waarden die in deze tabel zijn vermeld, volg dan de aanwijzingen op de verpakking. Voeg 3 extra minuten aan de bereidingstijd toe alvorens te frituren wanneer het apparaat koud is.

Ingrediënt	Hoeveelheid per zone (g)	Temp. (°C)	Tijd (minuten)		Extra informatie
			Eén zone	Twee zones	
Wortelen	450	200	13-16	25-30	Voeg 1 el olie toe
Groene bonen	350	200	8-10	10-15	Voeg 1 el olie toe
Champignons	250	200	7-9	13-15	Voeg 1 el olie toe
Garnaal	450	180	7-10	10-13	Voeg 1 el olie toe
Steak	250	180	10-20	14-28	Borstel met olie
Friet	450	200	15-22	28-32	
Kipfilet	300	200	22-24	25-28	Borstel met olie
Varkenskotelet	250	200	14-17	17-25	Borstel met olie
Kipnuggets	350	200	10-13	18-21	
Pizzabroodjes	550	200	12-15	15-18	
Uienringen	300	190	13-16	18-22	

## REINIGEN EN ONDERHOUD

- Voordat u het apparaat aanpakt of gaat reinigen, dient u het ongeveer 30 minuten af te laten koelen. Reinig het apparaat zowel aan de binnen- als buitenkant grondig.
- Reinig de binnen- en buitenkant van het apparaat met een vochtige doek en droog deze weer met een schone, zachte doek.
- Gebruik nooit schurende middelen of sponzen.
- Verwijder de mand om het apparaat sneller te laten afkoelen. Reinig de manden en de bakroosters in heet water met afwasmiddel en een niet-schurende spons. Veeg grondig droog voor gebruik.
- Maak het verwarmingselement binnenin de behuizing schoon (na het uittrekken van de mand) met een schoonmaakborstel om eventuele etensresten te verwijderen.

Opmerking: De manden en bakroosters zijn vaatwasmachinebestendig.

## PROBLEEM OPLOSSINGEN

Probleem	Mogelijke oorza(a)k(en)	Oplossing
<b>Het apparaat werkt niet.</b>	De stekker zit niet in het stopcontact.	Steek de stekker in een geaard stopcontact.
	De pauze/start-knop werd niet ingedrukt om het apparaat in te schakelen.	Druk op de knop om het apparaat in te schakelen.
<b>De ingrediënten zijn niet volledig gebakken.</b>	De hoeveelheid voedsel in de mand is te groot.	Doe minder ingrediënten tegelijk in het mandje. Kleinere hoeveelheden bakken gelijkmatiger.
	De temperatuur is te laag of de ingestelde tijd is te kort.	Druk op "+" om de temperatuur aan te passen tot de gewenste temperatuur of maak de bereidingstijd iets langer.
<b>De ingrediënten zijn niet gelijkmatig gebakken.</b>	Voor verschillende soorten voedsel kan het noodzakelijk zijn deze halverwege de bereidingstijd om te schudden.	Schud het voedsel om halverwege de bereidingstijd.
<b>De gefrituurde snacks zijn niet knapperig</b>	U heeft een soort snack uitgekozen die alleen op een traditionele manier gefrituurd kan worden.	Gebruik snacks voor de oven of doe een beetje olie op de snacks voor een knapperiger resultaat.

<b>Er komt witte rook uit het apparaat.</b>	U bereidt vette ingrediënten.	Wanneer u vette ingrediënten frituurt, zal er olie in de pan lekken. De olie produceert witte rook en de pan kan heet worden. Dit heeft geen gevolgen voor het bereidingsresultaat of voor het apparaat.
	De pan bevat vetrestanten van eerder gebruik.	Reinig de pan grondig na ieder gebruik.
<b>Verse frietjes zijn onregelmatig gefrituurd</b>	U heeft niet het juiste type aardappel gebruikt.	Gebruik verse aardappels en zorg ervoor dat ze niet hun vorm verliezen voor het frituren.
	U heeft de aardappelsticks niet goed gereinigd alvorens ze te frituren.	Reinig de aardappelsticks fatsoenlijk om het zetmeel aan de buitenkant van de sticks te verwijderen.
<b>Verse frietjes zijn niet knapperig</b>	De knapperigheid van de frietjes is afhankelijk van de hoeveelheid olie en water in de frietjes	Zorg ervoor dat de sticks goed afgedroogd zijn alvorens olie toe te voegen.
		Snijd de aardappelsticks smaller voor een knapperiger resultaat.
		Voeg beetje bij beetje meer olie toe voor een knapperiger resultaat.

#### TECHNISCHE GEGEVENS

Bedrijfsspanning: 230V~ 50-60Hz

Vermogen: 2400W

#### GARANTIE EN KLANTENSERVICE

Vóór de levering worden onze apparaten streng gecontroleerd. Indien het toestel ondanks alle zorg bij de productie of tijdens het transport beschadigd werd, moet u het naar de handelaar terugbrengen.

Wij geven een garantie van 2 jaar op het toestel, te beginnen met de koopdatum. Indien u een defect product heeft, kunt u rechtstreeks terug gaan naar het aankooppunt.

Gebreken die het gevolg zijn van ondeskundig gebruik van het toestel, fouten tijdens ingrepen en reparaties door derden of door de inbouw van vreemde onderdelen, vallen niet onder deze garantie. Bewaar altijd uw aankoopnota, zonder aankoopnota kunt u geen aanspraak maken op enige vorm van garantie. Bij schade veroorzaakt door het niet opvolgen van de gebruiksaanwijzing vervalt het recht op garantie. Voor vervolgschade die hieruit ontstaat kunnen wij niet verantwoordelijk gehouden worden. Voor materiële schade of persoonlijk letsel veroorzaakt door ondeskundig gebruik of het niet opvolgen van de veiligheidsvoorschriften zijn wij niet aansprakelijk. In dergelijke gevallen vervalt iedere aanspraak op garantie. Schade aan accessoires of onderdelen betekend niet dat het gehele apparaat zal worden vervangen. Afgebroken glazen of kunststof onderdelen of accessoires vallen niet onder de garantie en zullen tegen vergoeding vervangen kunnen worden. Defecten aan hulpstukken of aan slijtage onderhevige onderdelen, alsmede reiniging, onderhoud of de vervanging van slijtende delen vallen niet onder de garantie en zullen dus in rekening gebracht worden.



Het symbool van de doorgekruiste vuilniscontainer betekent dat dit product niet met het gewone huisvuil mag worden weggegooid. Elektronische en elektrische apparatuur die niet is opgenomen in het selectieve afvalsorteringsproces is potentieel gevaarlijk voor het milieu en de menselijke gezondheid vanwege de aanwezigheid van gevaarlijke stoffen. Voer deze op verantwoorde wijze af bij een erkend afvalverwerkings- of recyclingbedrijf.

Emerio B.V.  
Oudeweg 115  
2031 CC Haarlem  
The Netherlands

**Customer service:**  
T: +31 (0) 23 3034369  
[www.emerio.eu/service](http://www.emerio.eu/service)

**Kundeninformation:**  
T: +49 (0) 3222 1097 600  
[www.emerio.eu/service](http://www.emerio.eu/service)

**Klantenservice:**  
T: +31 (0) 23 3034369  
[www.emerio.eu/service](http://www.emerio.eu/service)

Looking for spare parts? Have a look at <https://spareparts.emerio.eu>

Sie brauchen Ersatzteile? Besuchen Sie <https://ersatzteile.emerio.eu>

Onderdelen nodig? Kijk op <https://onderdelen.emerio.eu>



KLANTENSERVICE



RESERVEONDERDELEN



## Instrukcja obsługi – Polish

### INSTRUKCJE DOTYCZĄCE BEZPIECZEŃSTWA

Aby nie dopuścić do urazów lub uszkodzeń oraz aby maksymalnie wykorzystać możliwości urządzenia, przed rozpoczęciem jego użytkowania należy przeczytać wszystkie poniższe zalecenia. Niniejszą instrukcję należy przechowywać w bezpiecznym miejscu. W przypadku przekazania lub odstąpienia komuś tego urządzenia, do urządzenia należy dołączyć również tę instrukcję.

W przypadku uszkodzenia spowodowanego nieprzestrzeganiem przez użytkownika zaleceń podanych w niniejszej instrukcji gwarancja nie ma zastosowania. Producent/importer nie ponosi odpowiedzialności za szkody spowodowane nieprzestrzeganiem podanych w instrukcji zaleceń, zaniedbaniami oraz użytkowaniem w sposób niezgodny z wymaganiami opisanymi w instrukcji.

1. Pod warunkiem zapewnienia odpowiedniego nadzoru, pouczenia na temat bezpiecznej obsługi i dopilnowania zrozumienia zagrożeń, urządzenie może być używane przez dzieci w wieku od lat 8, osoby o ograniczeniach fizycznych, czuciowych lub psychicznych, a także osoby, którym brak jest doświadczenia lub wiedzy.
2. Dzieci nie powinny bawić się urządzeniem.
3. Dzieci mogą wykonywać czynności związane z czyszczeniem i konserwacją tylko pod warunkiem ukończenia 8 lat i tylko pod nadzorem osoby dorosłej.
4. Urządzenie i jego kabel należy trzymać w miejscu niedostępnym dla dzieci do lat 8.
5. Jeżeli kabel zasilający zostanie uszkodzony, aby uniknąć niebezpiecznych sytuacji, należy go wymienić. Wymiany powinien dokonać producent, przedstawiciel jego serwisu lub inne osoby o podobnych kwalifikacjach.
6. Zalecenia dotyczące czyszczenia powierzchni mających kontakt z żywnością lub olejem podano w instrukcji w części „Czyszczenie i konserwacja”.
7. To urządzenie nie jest przystosowane do sterowania za pomocą zewnętrznego minutnika lub oddzielnego pilota.
8. Urządzenie jest przeznaczone do zastosowań domowych i podobnych, takich jak np.: kuchenki pracownicze w sklepach, biurach i innych obiektach pracowniczych; domy na wsi; użytkowanie przez klientów w hotelach, motelach i innych obiektach mieszkaniowych oraz obiekty oferujące nocleg ze śniadaniem.
9. Przed włożeniem wtyczki do kontaktu, należy sprawdzić, czy napięcie i częstotliwość są zgodne ze specyfikacją podaną na tabliczce znamionowej.
10. Przed czyszczeniem i na czas, gdy urządzenie nie jest używane, należy wyjąć wtyczkę z kontaktu.
11. Jeżeli jest używany przedłużacz, musi on być dostosowany do mocy pobieranej przez urządzenie. W przeciwnym wypadku może dojść do przegrzania się przedłużacza i/lub wtyczki. Istnieje potencjalne ryzyko urazów na skutek potknięcia się o przewód zasilający. Zachowaj ostrożność, by uniknąć niebezpiecznych sytuacji.
12. Należy dopilnować, aby kabel zasilający nie zwisał z ostrych krawędzi. Należy go trzymać z dala od gorących przedmiotów i otwartych płomieni.
13. Urządzenia i wtyczki kabla zasilającego nie wolno zanurzać w wodzie lub innych płynach. Ryzyko utraty życia wskutek porażenia prądem!
14. W celu wyjęcia wtyczki z kontaktu należy ciągnąć za wtyczkę. Nie należy ciągnąć za kabel zasilający.
15. Jeśli urządzenie wpadnie do wody, nie wolno go dotykać. Należy wyjąć wtyczkę z kontaktu, wyłączyć urządzenie i wysłać je do autoryzowanego punktu serwisowego w celu dokonania naprawy.
16. Nie należy mokrą ręką wkładać wtyczki urządzenia do kontaktu lub wyjmować jej z niego.
17. Nigdy nie należy próbować otwierać obudowy urządzenia lub samodzielnie urządzenie naprawić. Mogłoby to doprowadzić do porażeniem prądem.
18. W czasie użytkowania nie należy nigdy zostawiać urządzenia bez nadzoru.
19. Urządzenie nie zostało zaprojektowane do użytku komercyjnego.
20. Urządzenia nie należy używać do celów, do których nie jest ono przeznaczone.
21. Kabla nie należy owijać wokół urządzenia ani zaginać.
22. Urządzenie należy ustawić na stabilnej i płaskiej powierzchni, z której nie będzie ono mogło spaść.
23. Produkt należy chronić przed nadmiernym zabrudzeniem i wilgocią.
24. Produkt należy czyścić lekko zwilżoną ściereczką.
25. Nie należy zostawiać włączonego urządzenia bez nadzoru; opuszczając miejsce pracy użytkownik powinien zawsze wyłączyć urządzenie lub wyjąć wtyczkę z kontaktu (należy ciągnąć za wtyczkę, a nie za przewód).

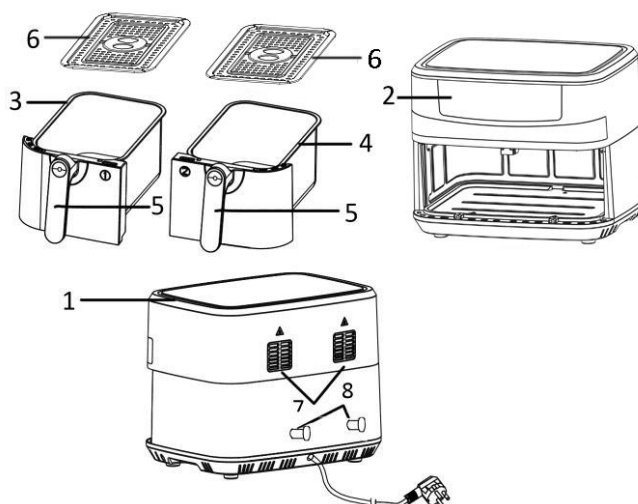
26. Nie umieszczaj urządzenia przy ścianie lub innym urządzeniu, Pozostaw co najmniej 10 cm wolnego odstępu między tyłem, bokami i górą urządzenia.
27. W trakcie smażenia gorącym powietrzem, z otworów wylotu powietrza wydobywa się gorąca para. Nie zbliżaj rąk ani twarzy do pary i otworów wylotu powietrza. Uważaj na gorącą parę oraz powietrze, gdy wyjmiesz koszyk z urządzenia.
28. Odłącz natychmiast urządzenie z gniazdka, jeśli czarny dym zacznie wydobywać się z urządzenia, Odczekaj, aż dym całkowicie przestanie się wydobywać i wyjmij koszyk z urządzenia.
29. Przed każdym użyciem urządzenia upewnij się, że element grzejący oraz otoczenie są czyste i pozbawione resztek potraw, by zapewnić poprawne działanie.



30. **Uwaga, gorąca powierzchnia.**  
OSTRZEŻENIE!! Nie dotykaj powierzchni podczas użytkowania. W czasie pracy urządzenia temperatura dostępnych powierzchni może być wysoka.
31. Przez otwór wentylacyjny z tyłu urządzenia wydostaje się gorące powietrze. Należy koniecznie zapewnić wystarczającą odległość od materiałów wrażliwych na gorąco, takich jak np. szkło.
32. W przypadku używania produktów z powierzchniami nieprzywierającymi, należy dopilnować, aby w tym samym pomieszczeniu nie było ptaków, aby pomieszczenie można było całkowicie zamknąć i aby miało ono zapewnioną dobrą wentylację.
33. Po użyciu i przed/w trakcie wstępnego nagrzewania bez produktów spożywczych należy zawsze wyjąć z kosza papier do pieczenia.

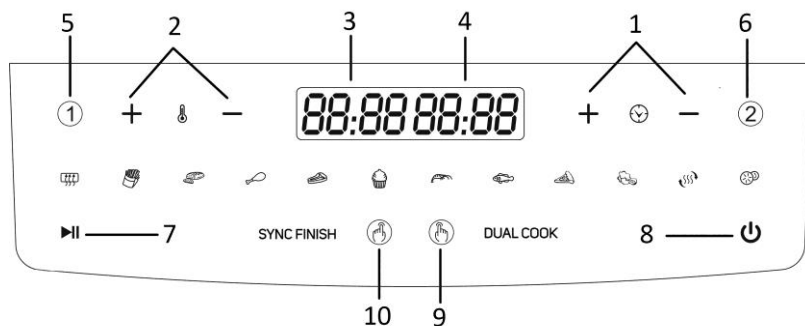
#### OPIS CZĘŚCI

1. Wlot powietrza
2. Panel sterowania i wyświetlacz
3. Kosz 1
4. Kosz 2
5. Uchwyt kosza
6. Ruszt do smażenia
7. Wylot powietrza
8. Miejsce na przewód zasilający



#### Panel sterowania i wyświetlacz

1. Sterowanie minutnikiem (naciśnięcie przycisku „+” lub „-” pozwala ustawić czas w zakresie od 1 do 60 minut)
2. Sterowanie temperaturą (naciśnięcie przycisku „+” lub „-” pozwala ustawić temperaturę w zakresie od 50°C do 200°C)
3. Wyświetlacz minutnika i temperatury dla kosza 1
4. Wyświetlacz minutnika i temperatury dla kosza 2
5. Przycisk 1 dla kosza 1
6. Przycisk 2 dla kosza 2
7. Przycisk Pauza/Start
8. Przycisk Gotowość/Anuluj
9. Przycisk podwójnego pieczenia (Dual cook)
10. Przycisk synchronizacji końca (Sync finish)



### Przyciski menu

menu	Domyślny czas (min)	Domyślna temperatura (°C)
Nagrzewanie	3	180
Frytki	18	200
Mięso	12	200
Udka kurczaka	20	200
Stek	12	180
Ciasto	25	160
Krewetka	8	180
Ryba	10	180
Pizza	20	180
Warzywa	10	160
Grzanie	15	150
Odwodnienie	360 (Regulowany czas: 0,5 godziny do 24 godzin)	60

### PRZED UŻYCIEM



Przed użyciem prosimy najpierw przeczytać całą instrukcję. Instrukcję należy zachować na przyszłość. Urządzenie należy podłączać tylko do kontaktu z uziemieniem. Przed pierwszym użyciem należy usunąć wszystkie materiały opakowaniowe. Wyczyścić kosze i ruszty do grillowania. (patrz „CZYSZCZENIE I KONSERWACJA”). Wytrzeć urządzenie od środka i od zewnątrz miękką szmatką. Upewnić się, że podzespoły elektryczne pozostają suche. **To urządzenie podgrzewa produkty spożywcze. Większość składników nie wymaga dodawania oleju.**

Przed użyciem po raz pierwszy włącz urządzenie na około 10 minut, by spalić resztki produkcyjne. Upewnij się, że w pomieszczeniu istnieje odpowiednia wentylacja. Urządzenie może emitować niewielką ilość dymu i charakterystyczny zapach, gdy je włączysz po raz pierwszy. Jest to normalne i wkrótce się skończy.

**Uwaga:** Ruszty do smażenia należy zawsze używać z zamocowanymi silikonowymi nóżkami. Elementy te pomagają ustabilizować ruszt do smażenia w koszu w czasie pieczenia.

### UŻYTKOWANIE

1. Urządzenie ustawić na suchej i stabilnej powierzchni odpornej na wysokie temperatury.
2. Ponieważ w czasie użytkowania urządzenie nagrzewa się i jest gorące, należy dopilnować, aby nie znajdowało się zbyt blisko innych przedmiotów.
3. Wysunąć z urządzenia kosz – w tym celu pociągnąć za uchwyt kosza. Włożyć ruszt do smażenia do kosza.

4. Włożyć składniki do kosza (nie przekraczać poziomu MAX zaznaczonego w koszu). Wsunąć kosz do urządzenia. Upewnić się, że są one prawidłowo włożone i całkowicie zamknięte.  
Uwaga: Nie napełniaj koszyka olejem lub innym płynem. W czasie użytkowania oraz przez krótki czas po użyciu kosza nie wolno dotykać – kosz nagrzewa się i jest bardzo gorący. Kosz należy trzymać wyłącznie za uchwyt.
5. Podłączyć wtyczkę do odpowiedniego kontaktu. Urządzenie znajduje się teraz w trybie gotowości. Nacisnąć przycisk gotowości „”, wyświetlą się wszystkie ikony na panelu sterowania.
6. Nacisnąć przycisk 1, a potem przyciskami menu wybrać funkcję pieczenia oraz wyregulować czas i temperaturę kosza 1; przyciskami „+” i „-” ustawić czas (1 minuta/wciśnięcie) i temperaturę (10 stopni/wciśnięcie). Długie wciśnięcie przycisku „+” lub „-” przyspiesza nastawianie.
7. Nacisnąć przycisk 2, a potem przyciskami menu wybrać funkcję pieczenia oraz wyregulować czas i temperaturę kosza 2.
8. Nacisnąć przycisk Pauza/Start; urządzenie zacznie pracować. Kosz z krótszym czasem pracy wyłączy się jako pierwszy.
9. Gdy zakończy się proces pieczenia, urządzenie przestanie pracować i rozlegnie się sygnał dźwiękowy. Można też ręcznie wyłączyć urządzenie, w tym celu należy nacisnąć przycisk „”.  
W czasie pracy urządzenia, aby wstrzymać wykonywanie programu, można nacisnąć przycisk pauzy. Ponowne jego wciśnięcie spowoduje wznowienie i kontynuowanie wykonywania programu.
10. Wysunąć z urządzenia kosz za uchwyt kosza. Sprawdzić, czy składniki są gotowe. Jeśli nie są, wsunąć kosz z powrotem do urządzenia. Wybrać menu, aby nastawić temperaturę i minutnik na kilka dodatkowych minut. Nacisnąć przycisk Pauza/Start, aby ponownie włączyć urządzenie. UWAGA: Można także wysunąć kosz, aby sprawdzić i potrząsnąć składniki w czasie pieczenia.
11. Aby wyjąć składniki zawierające olej lub w których nadmiar oleju zbiera się w czasie smażenia na dnie kosza (np. wołowinę, kurczaka, mięso), należy użyć szczypic i wyjmować składniki po jednym.  
Aby wyjąć składniki w których nie ma nadmiaru oleju zbierającego się w czasie smażenia na dnie kosza (np. frytki lub warzywa), należy wysunąć kosz i przesypać składniki do naczynia.  
Uwaga: Kosz i składniki są po smażeniu gorące. W zależności od rodzaju składników w urządzeniu, z misy może buchać para.
12. Po zakończeniu smażenia, urządzenie jest natychmiast gotowe do smażenia kolejnej partii składników (w razie potrzeby).


#### **Funkcja synchronizacji końca**

- 1) Nacisnąć przycisk „SYNC FINISH”, zacznie migać odpowiednia ikona.
- 2) Nacisnąć przycisk 1, aby ustawić program pieczenia dla kosza 1;
- 3) Nacisnąć przycisk 2, aby ustawić program pieczenia dla kosza 2.
- 4) Nacisnąć przycisk Pauza/Start; strefa z dłuższym czasem pracy włączy się jako pierwsza. Druga strefa, z krótszym czasem pracy włączy się później. Obie strefy zakończą pracę jednocześnie.

#### **Funkcja podwójnego pieczenia**

- 1) Nacisnąć przycisk „DUAL COOK”, a potem przyciskami menu wybrać funkcję pieczenia oraz wyregulować czas i temperaturę dla obu stref. W obu wykonywany będzie ten sam program.
- 2) Wcisnąć przycisk Pauza/Start; urządzenie zacznie pracować.

#### **Funkcja nagrzewania**

Nacisnąć przycisk „”, a potem przyciskami „+” i „-” wyregulować temperaturę (w przydziale od 50°C do 200°C) i czas (od 1 do 60 minut) nagrzewania.

#### **Uwaga:**

- 1) Przycisków menu oraz przycisków minutnika i temperatury można używać tylko gdy miga przycisk 1, przycisk 2 lub przycisk podwójnego pieczenia.

- 2) W przypadku mniejszych ilości produktów, można przygotowywać produkty tylko w jednym koszu. Wybrać program dla kosza i nacisnąć przycisk Pauza/Start.
- 3) W przypadku używania obu stref, czas pieczenia wydłuży się.

### WSKAZÓWKI DOTYCZĄCE SMAŻENIA

1. Optymalna ilość pozwalająca uzyskać chrupiące frytki wynosi 450-600 gramów w każdym koszu.
2. Jeśli urządzenie jest zimne, do czasu przygotowywania należy dodać 3 dodatkowe minuty, ewentualnie można też pozwolić urządzeniu rozgrzać się przez ok. 4 minuty bez wkładania do środka jakichkolwiek składników.
3. Niektóre produkty wymagają potrząśnięcia w połowie czasu przygotowywania. Aby potrząsnąć lub przewrócić produkty, należy wysunąć kosz z urządzenia za uchwyt i potrząsnąć nim lub odwrócić je widelcem (lub szczypcami). Następnie z powrotem wsunąć kosz do urządzenia.
4. Frytownicy można też użyć do podgrzewania składników. Aby odgrzać składniki, temperaturę należy nastawić na 150°C, a czas na 10 minut.
5. Produkty ze skórką z posypką z kruchego ciasta będą bardziej chrupiące, jeśli posmaruje się je olejem roślinnym.
6. Jeśli w urządzeniu ma być pieczone ciasto lub quiche lub inne delikatne składniki, należy włożyć je w formie do pieczenia lub w naczyniu żaroodpornym.
7. W urządzeniu nie należy przyrządzać składników wyjątkowo tłustych takich jak kiełbaski.

### OSTROŻNIE:

1. Obudowy nie należy zanurzać w wodzie ani wkładać pod bieżącą wodę.
2. Należy unikać dostawania się do urządzenia płynów, ponieważ grozi to zwarcie i porażeniem prądem.
3. Wszystkie składniki muszą znajdować się w koszu, aby nie było niebezpieczeństwa, że dotkną elementu grzewczego.
4. Gdy urządzenie pracuje, nie należy zasłaniać otworów wlotu i wylotu powietrza. Nad górną powierzchnią urządzenia należy zostawić co najmniej 10 cm wolnej przestrzeni.
5. Napełnienie kosza olejem grozi pożarem!
6. W czasie pracy urządzenia nie należy dotykać wewnętrznych części urządzenia.
7. Podczas wyjmowania kosza z urządzenia należy uważać na gorącą parę i gorące powietrze.
8. W czasie pracy przez wylot powietrza bucha gorąca para. Ręce i twarz należy trzymać w bezpiecznej odległości od wylotu pary i gorącego powietrza.
9. W przypadku pojawienia się czarnego dymu, urządzenie należy natychmiast wyłączyć i odłączyć od zasilania ponieważ oznacza to, że albo produkty przypalają się, albo urządzenie jest niesprawne.

### TABELA SMAŻENIA

Jeśli w instrukcji na opakowaniu produktu podane są inne czasy i wartości, należy wówczas postępować zgodnie z instrukcjami na opakowaniu. Jeśli urządzenie jest zimne, do nastawianego czasu należy dodać 3 minuty na nagrzanie się urządzenia.

Składnik	Ilość na strefę (g)	Temp. (°C)	Czas (min)		Dodatkowe informacje
			Jedna strefa	Dwie strefy	
Marchew	450	200	13-16	25-30	Dodać 1 łyżkę oleju
Zielona fasolka	350	200	8-10	10-15	Dodać 1 łyżkę oleju
Pieczarki	250	200	7-9	13-15	Dodać 1 łyżkę oleju
Krewetka	450	180	7-10	10-13	Dodać 1 łyżkę oleju
Stek	250	180	10-20	14-28	Posmarowane olejem
Frytki	450	200	15-22	28-32	
Piersi z kurczaka	300	200	22-24	25-28	Posmarowane olejem
Kotlety wieprzowe	250	200	14-17	17-25	Posmarowane olejem
Nuggetsy z kurczaka	350	200	10-13	18-21	

Pizza rolls (bułeczki a la pizza)	550	200	12-15	15-18	
Krążki cebulowe	300	190	13-16	18-22	

### CZYSZCZENIE I KONSERWACJA

1. Przed czyszczeniem urządzenia należy pozwolić, aby ostygło ono przez 30 minut. Urządzenie należy regularnie czyścić od środka i z zewnątrz.
2. Urządzenie należy czyścić od zewnątrz i od środka wilgotną ściereczką. Polerować suchą ściereczką.
3. Nigdy nie należy używać ścierających środków czyszczących lub gąbek.
4. Aby przyspieszyć stygnięcie urządzenia, należy wyjąć kosz. Umyć kosze i ruszty do grillowania – czyścić nierysującą gąbką w gorącej wodzie z płynem do mycia naczyń. Przed użyciem dokładnie wysuszyć.
5. Wyczyścić element grzewczy w obudowie (widać go po wysunięciu kosza), czyścić szczoteczką, aby usunąć wszelkie resztki produktów spożywczych.

Uwaga: Kosze i ruszty do grillowania można myć w zmywarce.

### ROZWIĄZYWANIE PROBLEMÓW

Problem	Możliwa przyczyna	Rozwiązanie
<b>Urządzenie nie działa.</b>	Urządzenie nie jest podłączone do prądu.	Włożyć wtyczkę do uziemionego gniazdka ściennego.
	Nie wciśnięto przycisku Pauza/Start, aby włączyć urządzenie.	Nacisnąć przycisk, aby włączyć urządzenie.
<b>Składniki nie są całkowicie dopieczone.</b>	Zbyt dużo produktów spożywczych w koszu.	Włożyć mniejsze partie składników do kosza. Mniejsze partie składników są przysmażone bardziej równomiernie.
	Zbyt niska temperatura lub zbyt krótki czas.	Naciskać przycisk „+”, aby ustawić temperaturę na wymaganą wartość lub piec trochę dłużej.
<b>Składniki są zapieczone nierówno.</b>	Różne rodzaje produktów mogą wymagać potrząśnięcia w połowie procesu pieczenia.	Potrząsnąć produkty w połowie procesu pieczenia.
<b>Smażone przekąski nie są chrupiące</b>	Użyto przekąsek, które trzeba smażyć w tradycyjnej frytownicy.	Użyć przekąsek przeznaczonych do zapiekania w piekarniku lub lekko posmarować je olejem, aby stały się bardziej chrupiące.
<b>Z urządzenia wydostaje się biały dym.</b>	Użytkownik przygotowuje tłuste produkty.	Podczas smażenia tłustych produktów do miski spływa olej. Olej wytwarza biały dym, a miska może się nagrzewać. Nie ma to wpływu na urządzenie ani efekt smażenia.
	W misie znajduje się tłuszcz jeszcze z poprzedniego użycia.	Wyczyścić misę po każdym użyciu.
<b>Świeże frytki są nierówno usmażone</b>	Użyto ziemniaków nieodpowiedniego typu.	Należy użyć świeżych ziemniaków i pilnować, aby w czasie smażenia pozostawały twarde.
	Przed smażeniem sticksy ziemniaczane nie zostały dobrze wypłukane.	Dobrze wypłukać sticksy ziemniaczane, aby usunąć skrobię z zewnętrznej warstwy sticksów.
<b>Świeże frytki nie są chrupiące</b>	Chrupkość frytek zależy od ilości oleju i wody we frytkach.	Przed dodaniem oleju należy upewnić się, że sticksy ziemniaczane zostały dobrze wysuszone.

		Aby sticksy ziemniaczane były bardziej chrupiące, można je pokroić na cieńsze paski.
		Aby zwiększyć chrupkość, można dodać troszkę więcej oleju.

## DANE TECHNICZNE

Napięcie robocze: 230V ~ 50-60Hz

Moc: 2400W

## GWARANCJA I SERWIS KONSUMENCKI

Przed dostarczeniem do klienta nasze urządzenia poddawane są rygorystycznej kontroli jakości. Jeśli, pomimo wszelkich starań, podczas produkcji lub transportu pojawi się uszkodzenie, należy zwrócić urządzenie do sprzedawcy.

Dla każdego zakupionego urządzenia zapewniamy 2 lata gwarancji, poczynając od dnia zakupu. Uszkodzony produkt można zwrócić bezpośrednio w punkcie zakupu.

Niniejsza gwarancja nie obejmuje uszkodzeń spowodowanych niewłaściwą obsługą urządzenia, usterek w wyniku modyfikacji i napraw wykonanych przez strony trzecie lub w wyniku użycia nieoryginalnych części. Należy zachować dowód zakupu, który jest jedyną podstawą złożenia roszczenia gwarancyjnego. Producent nie ponosi odpowiedzialności za uszkodzenia powstałe w wyniku nieprzestrzegania instrukcji obsługi. Powoduje to unieważnienie gwarancji. Producent nie ponosi odpowiedzialności za szkody materiałowe ani obrażenia ciała spowodowane niewłaściwą obsługą urządzenia i nieprzestrzeganiem instrukcji obsługi. Uszkodzenie akcesoriów nie oznacza bezpłatnej wymiany całego urządzenia. W takim wypadku prosimy o kontakt z naszym serwisem. Stłuczone elementy szklane lub pęknięte elementy plastikowe są wymieniane za opłatą. Uszkodzenia materiałów eksploatacyjnych lub części podlegających zużyciu, a także czyszczenie, konserwacja i wymiana wspomnianych części nie jest objęta gwarancją i podlega opłacie.



Symbol przekreślonego kołowego kontenera na odpady oznacza, że tego produktu nie można wyrzucać wraz z innymi odpadami gospodarstwa domowego. Ze względu na obecność niebezpiecznych substancji, mieszanin lub części składowych urządzenia elektryczne i elektroniczne, niepodlegające procesowi selektywnego sortowania są potencjalnie niebezpieczne dla środowiska i zdrowia ludzi. Produkt należy zutylizować w sposób odpowiedzialny w zatwierdzonym zakładzie utylizacji odpadów lub recyklingu.

Emerio B.V.  
Oudeweg 115  
2031 CC Haarlem  
The Netherlands

**Customer service:**  
T: +31 (0) 23 3034369  
[www.emerio.eu/service](http://www.emerio.eu/service)

**Kundeninformation:**  
T: +49 (0) 3222 1097 600  
[www.emerio.eu/service](http://www.emerio.eu/service)

**Klantenservice:**  
T: +31 (0) 23 3034369  
[www.emerio.eu/service](http://www.emerio.eu/service)

Looking for spare parts? Have a look at <https://spareparts.emerio.eu>

Sie brauchen Ersatzteile? Besuchen Sie <https://ersatzteile.emerio.eu>

Onderdelen nodig? Kijk op <https://onderdelen.emerio.eu>



OBSŁUGA KLIENTA



CZĘŚCI ZAMIENNE

## Manual de Instrucciones – Spanish

### INSTRUCCIONES DE SEGURIDAD

Antes de utilizar el producto, lea todas las instrucciones que se presentan a continuación para evitar lesiones personales y daños materiales y para obtener unos resultados óptimos del aparato. Asegúrese de mantener este manual en un lugar seguro. Si transfiere el aparato a otra persona, asegúrese de entregarle asimismo el presente manual.

La garantía quedará anulada en caso de daños causados por el incumplimiento por parte del usuario de las instrucciones incluidas en este manual. El fabricante/importador no aceptará ningún tipo de responsabilidad por daños causados por el incumplimiento de las presentes instrucciones o uso negligente o en desacuerdo con los requisitos de este manual.

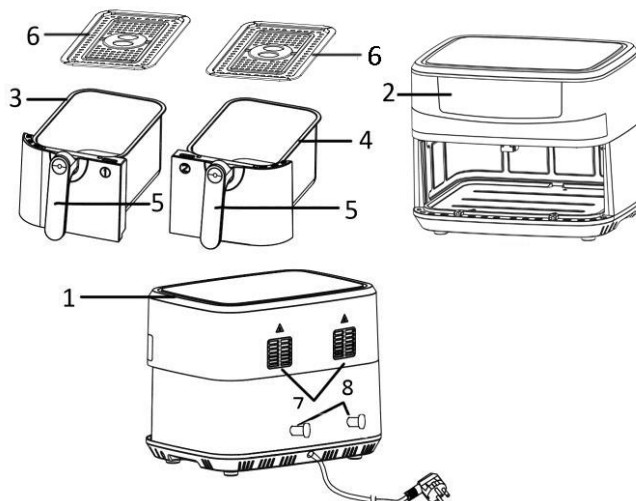
1. Este aparato podrá ser utilizado por niños mayores de 8 años y personas con capacidades físicas, sensoriales o mentales reducidas, o sin la experiencia y los conocimientos necesarios, si están supervisados o han recibido instrucciones con relación al uso del aparato de forma segura y comprenden los riesgos que ello implica.
2. No deberá permitirse que los niños jueguen con el aparato.
3. Las operaciones de limpieza y mantenimiento por parte del usuario no podrán ser realizadas por niños, a menos que sean mayores de 8 años y estén supervisados.
4. Mantenga el aparato y su cable fuera del alcance de niños menores de 8 años.
5. Si el cable de alimentación estuviera dañado, deberá ser sustituido ya sea por el fabricante, su servicio de asistencia técnica o por una persona cualificada. De esta manera, se evitarán riesgos innecesarios.
6. Respecto a las instrucciones para limpiar las superficies que entren en contacto con alimentos o aceite, consulte el apartado "limpieza y mantenimiento" del manual.
7. Este aparato no está concebido para su uso con un temporizador externo o un sistema de control remoto independiente.
8. Este aparato ha sido diseñado para su uso doméstico o en lugares con funciones similares, como: zona de cocina para el personal en tiendas, oficinas u otros entornos de trabajo; casas rurales; clientes de hoteles, moteles y otros entornos de tipo residencial; entornos de servicios de cama y desayuno.
9. Antes de conectar el enchufe a la toma de corriente, compruebe que el voltaje y la frecuencia coinciden con las especificaciones de la etiqueta de características del producto.
10. Desconecte el enchufe de la toma de corriente cuando el aparato no se encuentre en uso y antes de cualquier operación de limpieza.
11. Si se utiliza un cable alargador, deberá ser el adecuado para el consumo eléctrico del aparato, de lo contrario el alargador o el enchufe podrían sobrecalentarse. Peligro potencial de lesión al tropezar con el cable alargador. Tome las precauciones necesarias para evitar situaciones de peligro.
12. Asegúrese de que el cable no cuelgue sobre aristas vivas y manténgalo alejado de objetos calientes y llamas abiertas.
13. No sumerja el aparato ni el enchufe en agua u otros líquidos. ¡Peligro de muerte por electrocución!
14. Para retirar el enchufe de la toma de corriente, tire del enchufe. No tire del cable de alimentación.
15. No toque el aparato si se cayera al agua. En dicho caso, retire el enchufe de la toma de corriente, apague el aparato y llévelo a un servicio técnico autorizado para su reparación.
16. No enchufe ni desenchufe el aparato de la toma de corriente con las manos mojadas.
17. No intente nunca abrir la carcasa del aparato ni reparar el aparato por su cuenta. Esto podría causar una descarga eléctrica.
18. No deje nunca el aparato en funcionamiento sin vigilancia.
19. Este aparato no está diseñado para uso comercial.
20. No utilice al aparato para un uso distinto del previsto.
21. No enrolle el cable en torno al aparato ni lo curve.
22. Coloque el aparato sobre una superficie estable y nivelada de la que no pueda caerse.
23. Evite exponer el producto a suciedad y humedad excesivas.
24. Limpie el producto con un paño ligeramente húmedo.
25. No utilice el aparato sin supervisión. Si tuviera que abandonar el lugar de trabajo, apague siempre el aparato o retire el enchufe de la toma de corriente (tire del enchufe y no del cable).
26. No coloque el aparato contra la pared ni contra otros aparatos. Deje al menos 10 cm de espacio por la parte trasera, los lados y la parte superior del aparato.



27. Durante la freidura con aire caliente, saldrá vapor caliente por las ranuras de salida del aire. Mantenga las manos y el rostro a una distancia segura del vapor y las ranuras de salida del aire. Tenga también cuidado con el vapor y el aire calientes cuando retire la olla del aparato.
28. Desenchufe el aparato inmediatamente si observa humo oscuro saliendo del aparato. Espere a que desaparezcan las emisiones de humo antes de sacar la olla del aparato.
29. Antes de usar el aparato, asegúrese de que la resistencia eléctrica y sus alrededores estén limpios y no tengan restos de comida para garantizar un funcionamiento óptimo.



30. **Precaución, agua caliente**  
**ADVERTENCIA:** No toque la superficie durante el uso. La temperatura de las superficies accesibles podría ser alta durante el funcionamiento del aparato.
31. El aire caliente sale por las ranuras de aire de la parte trasera del aparato. Asegúrese de que esté a suficiente distancia de materiales que sean sensibles al calor, como el vidrio.
32. Si utiliza productos con superficies antiadherentes, asegúrese de que no haya pájaros en la misma habitación y que la habitación pueda cerrarse del todo y permanecer bien ventilada.
33. Quite siempre el papel de hornear de la cesta después del uso y antes de/durante el precalentamiento sin alimentos.

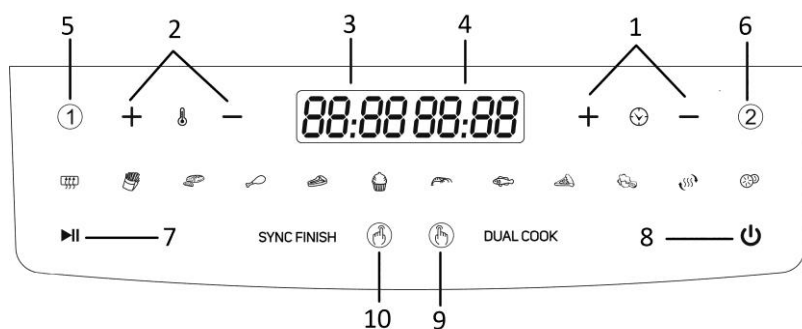


#### DESCRIPCIÓN DE PARTES




1. Entrada de aire
2. Panel de control y pantalla
3. Cesta 1
4. Cesta 2
5. Asa de la cesta
6. Parrilla de freír
7. Salida de aire
8. Recogecable

#### Panel de control y pantalla

1. Programación del tiempo (pulse "+" o "-" para ajustar el tiempo entre 1 y 60 minutos)
2. Control de la temperatura (pulse "+" o "-" para ajustar la temperatura entre 50 y 200 °C)
3. Indicación del tiempo y la temperatura para la cesta 1
4. Indicación del tiempo y la temperatura para la cesta 2
5. Botón 1 para la cesta 1
6. Botón 2 para la cesta 2
7. Botón de inicio/pausa
8. Botón de modo de espera/cancelar
9. Botón de cocción doble
10. Botón de acabado sincronizado



## Botones de menú

Menú	Tiempo predeterminado (min)	Temperatura predeterminada (°C)
 Precalentar	3	180
 Patatas fritas	18	200
 Carne	12	200
 Muslos de pollo	20	200
 Filete de carne	12	180
 Pastel	25	160
 Gambas	8	180
 Pescado	10	180
 Pizza	20	180
 Verduras	10	160
 Recalentar	15	150
 Deshidratar	360 (Tiempo ajustable: de 0,5 horas a 24 horas)	60


## ANTES DE USAR EL PRODUCTO


Lea primero todas las instrucciones antes de usar el producto y guarde el manual para consultas futuras. Enchufe el producto únicamente en una toma con conexión a tierra. Antes de usar el producto por primera vez, retire los materiales del embalaje. Limpie las cestas y las parrillas de freír. (Vea "LIMPIEZA Y MANTENIMIENTO") Pase un paño suave por dentro y por fuera del aparato. Asegúrese de que las piezas eléctricas se mantienen secas. **Este aparato calienta comida en todas direcciones y la mayoría de ingredientes no necesita nada de aceite.**

Antes de usar por primera vez, deje funcionar el aparato unos 10 minutos para quemar cualquier residuo del proceso de fabricación. Asegúrese de que haya una buena ventilación. El aparato puede emitir un poco de humo y un olor característico al encenderlo por primera vez. Esto es normal y desaparece al poco tiempo.

**Nota:** Utilice siempre la parrilla de freír con los pies de silicona instalados. Ayudan a estabilizar la rejilla de la freidora en la cesta durante la cocción.

## UTILIZACIÓN

1. Coloque el aparato sobre una superficie seca y estable.
2. El aparato se calienta mucho durante el uso, por lo que deberá asegurarse de que no esté demasiado cerca de otros objetos.
3. Saque la cesta del aparato, sujetándola por el mango. Ponga la rejilla de la freidora en la cesta.
4. Coloque los ingredientes en la cesta. (No exceda el nivel máximo indicado dentro de la cesta). Inserte la cesta en el aparato. Asegúrese de que esté instalada correctamente antes de cerrarlo del todo.  
Precaución: No llene la cesta con aceite o algún otro líquido. No toque la cesta cuando se esté cocinando o poco después, dado que estará muy caliente. Coja la cesta desde el asa solamente.
5. Enchufe el aparato a una toma de corriente apropiada. El aparato está ahora en el modo de espera. Pulse el botón del modo de espera «». Se encenderán todos los símbolos en el panel de control.
6. Pulse el botón 1 y, a continuación, pulse los botones de menú para seleccionar la función de cocción y ajustar el tiempo y la temperatura para la cesta 1. Pulse los botones «+» o «-» para programar el tiempo (1 minuto por cada pulsación) y la temperatura (10 grados por cada pulsación). También puede mantener pulsado «+» o «-» para ajustar los valores a mayor velocidad.
7. Pulse el botón 2 y, a continuación, pulse los botones de menú para seleccionar la función de cocción y ajustar el tiempo y la temperatura para la cesta 2.
8. Pulse el botón de inicio/pausa para que el aparato empiece a funcionar. La cesta con menos tiempo de funcionamiento terminará primero.

9. Una vez finalizado el proceso de cocción, el aparato se detendrá y sonará un pitido. El aparato también se puede apagar manualmente pulsando el botón «». Durante el funcionamiento, puede pulsar el botón de pausa para poner en pausa el programa, y pulsarlo de nuevo para que el programa continúe.
10. Saque la cesta del aparato agarrándola desde el mango. Compruebe si la comida está lista. De no ser así, vuelva a introducir la cesta en el aparato. Seleccione el menú para establecer la temperatura y añada unos minutos más al programa de tiempo. A continuación, pulse el botón de inicio/pausa para volver a poner en funcionamiento el aparato. NOTA: También puede sacar la cesta para mover los ingredientes y comprobar su estado durante la cocción.
11. Utilice unas pinzas para sacar de uno en uno los ingredientes (por ejemplo, ternera, pollo u otro tipo de carne) que hayan desprendido aceite propio que se haya acumulado en el fondo de la cesta durante la cocción.  
Para sacar ingredientes (por ejemplo, patatas fritas o verduras) que no producen acumulación de aceite en el fondo de la cesta durante la cocción, dé la vuelta a la cesta para verter los ingredientes en la vajilla.  
Nota: la cesta y los ingredientes están muy calientes después de la cocción. Dependiendo del tipo de ingredientes introducidos en el aparato, es posible que salga vapor de la cesta.
12. Una vez finalizada la cocción, el aparato estará listo instantáneamente para preparar otra tanda de alimentos si fuera necesario.


#### **Función de acabado sincronizado**

- 1) Pulse el botón «SYNC FINISH» (acabado sincronizado). El símbolo parpadeará.
- 2) Pulse el botón 1 para establecer un programa de cocción para la cesta 1.
- 3) Pulse el botón 2 para establecer un programa de cocción para la cesta 2.
- 4) Pulse el botón de inicio/pausa. La zona con el tiempo de funcionamiento más largo empezará primero. La otra zona con menos tiempo de funcionamiento empezará más tarde. Ambas zonas terminarán al mismo tiempo.

#### **Función de cocción doble**

- 1) Pulse el botón «DUAL COOK» (cocción doble) y, a continuación, pulse los botones de menú para seleccionar la función de cocción y ajustar el tiempo y la temperatura para ambas zonas. Empezarán a funcionar con el mismo programa.
- 2) Pulse el botón de inicio/pausa para que el aparato se ponga en funcionamiento.

#### **Función de precalentamiento**

Pulse el botón «» y, a continuación, pulse los botones «+» o «-» para ajustar la temperatura (de 50 °C a 200 °C) y el tiempo (de 1 a 60 minutos) necesarios para el precalentamiento.

#### **Nota:**

- 1) Los botones de menú, temporizador y temperatura solo se pueden utilizar cuando están parpadearando los botones 1, 2 o de cocción doble.
- 2) Para cantidades pequeñas de alimento, puede cocinar solo con una cesta. Seleccione un programa para esa cesta y pulse después el botón de inicio/pausa.
- 3) Cuando cocine en las dos zonas se necesitará más tiempo de cocción.

#### **CONSEJOS PARA FREÍR**

1. La cantidad óptima para que las patatas fritas queden crujientes es 450-600 gramos en cada cesta.
2. Añada 3 minutos más al tiempo de cocción si el aparato está frío. También puede precalentar el aparato durante 4 minutos aproximadamente sin ningún ingrediente en el interior.
3. Algunos ingredientes deben agitarse cuando haya transcurrido la mitad del tiempo de cocción. Para agitar los ingredientes o darles la vuelta, saque la cesta del aparato sujetándola por el mango, y agítela o dé la vuelta a los ingredientes con un tenedor (o con unas pinzas). A continuación, vuelva a introducir la cesta en el aparato.
4. También puede usar la freidora para recalentar alimentos. Para recalentar alimentos, ponga la temperatura a 150°C durante un máximo de 10 minutos.

- Los alimentos recubiertos de pan rallado seco quedarán más crujientes si los vaporiza por encima con un poco de aceite vegetal.
- Coloque un recipiente o plato de horno en el aparato si desea hornear un pastel o una quiche, así como otros alimentos frágiles.
- No prepare con este aparato ingredientes extremadamente grasos, como salchichas.

#### PRECAUCIÓN:

- No sumerja la carcasa en agua ni la enjuague bajo el grifo.
- Evite que entren líquidos en el aparato para prevenir el riesgo de descargas eléctricas o cortocircuitos.
- Deje todos los alimentos en la cesta para evitar cualquier tipo de contacto con los elementos calefactores.
- No cubra la entrada y la salida de aire cuando el aparato esté en funcionamiento. Deje un espacio libre de al menos 10cm alrededor y por encima del aparato.
- ¡Llenar de aceite la sartén colectora puede causar un riesgo de incendio!
- No toque el interior del aparato cuando esté en funcionamiento.
- Tenga cuidado con el vapor y el aire calientes cuando extraiga la cesta del aparato.
- Durante el funcionamiento, se libera vapor caliente a través de la salida de aire. Mantenga sus manos y su rostro a una distancia de seguridad de la salida de vapor y de aire.
- Si ve que sale humo oscuro del aparato, apague y desenchufe de inmediato el aparato, ya que puede significar que los alimentos se han cocinado en exceso o que el aparato se ha averiado.

#### TABLA DE FRITURA

En caso de que las instrucciones que se indican en el envase del producto especifiquen valores diferentes a los de la tabla siguiente, deberá seguir las instrucciones del envase. Si el aparato está frío, añada 3 minutos al tiempo de preparación antes de empezar a freír.

Ingrediente	Cantidad por zona (g)	Temp. (°C)	Tiempo (min.)		Información adicional
			Una zona	Dos zonas	
Zanahorias	450	200	13-16	25-30	Añadir 1 cucharada de aceite
Judías verdes	350	200	8-10	10-15	Añadir 1 cucharada de aceite
Champiñones	250	200	7-9	13-15	Añadir 1 cucharada de aceite
Gambas	450	180	7-10	10-13	Añadir 1 cucharada de aceite
Filetes de carne	250	180	10-20	14-28	Pintadas con aceite
Patatas fritas	450	200	15-22	28-32	
Pechugas de pollo	300	200	22-24	25-28	Pintadas con aceite
Chuletas de cerdo	250	200	14-17	17-25	Pintadas con aceite
Nuggets de pollo	350	200	10-13	18-21	
Rollos de pizza	550	200	12-15	15-18	
Aros de cebolla	300	190	13-16	18-22	

#### LIMPIEZA Y MANTENIMIENTO

- Antes de realizar alguna operación o limpieza en el aparato, deje que este se enfríe durante unos 30 minutos. Limpie el aparato por dentro y por fuera regularmente.
- Limpie la parte interior y la exterior del aparato con un paño húmedo y luego séquelas con un paño suave limpio.
- No use nunca productos de limpieza abrasivos o estropajos abrasivos.
- Saque la cesta para que el aparato se enfríe más deprisa. Limpie las cestas y las parrillas de freír con agua caliente y detergente líquido, utilizando una esponja no abrasiva. Séquelas bien antes de usarlas.
- Limpie el elemento calefactor que hay en el interior de la carcasa (lo verá después de extraer la cesta) con un cepillo limpiador para retirar todos los residuos de alimentos.

Nota: Las cestas y las parrillas de freír son aptas para lavavajillas.

#### RESOLUCIÓN DE PROBLEMAS

Problema	Posible causa	Solución
El aparato no funciona.	El aparato no está enchufado.	Conecte el enchufe a una toma de corriente con puesta a tierra.

	No ha pulsado el botón de inicio/pausa para encender el aparato.	Pulse el botón para encender el aparato.
<b>La comida no se ha freído del todo.</b>	Ha llenado la cesta demasiado con comida.	Ponga porciones más pequeñas de comida en la cesta. Porciones más pequeñas se freirán de manera más uniforme.
	La temperatura es demasiado baja o el tiempo es insuficiente.	Pulse “+” para reajustar la temperatura o añadir tiempo de cocción.
<b>Los ingredientes no se fríen uniformemente.</b>	Algunas comidas puede que necesiten agitarse al llegar a la mitad del tiempo de cocción.	Agite la comida una vez transcurrido la mitad del tiempo de cocción.
<b>Los refrigerios fritos no están crujientes</b>	Ha cocinado un tipo de refrigerio que debe freírse en una freidora tradicional.	Cocine refrigerios para cocinar al horno o úntelos con un poco de aceite para un resultado más crujiente.
<b>Sale humo blanco del aparato.</b>	Está cocinando ingredientes grasos.	Cuando fría ingredientes grasos, goteará aceite en la olla. El aceite producirá humo blanco y la olla se calentará. Esto no afectará el resultado de la cocción ni causará daños en el aparato.
	La olla todavía tiene restos de grasa de la última vez que se utilizó.	Limpie bien la olla después de cada uso.
<b>Las patatas frescas no se fríen uniformemente.</b>	No ha utilizado el tipo de patata correcta.	Utilice patatas frescas y asegúrese de que permanezcan firmes durante la cocción
	No ha enjuagado bien las tiras de patatas antes de freírlas.	Enjuague bien las tiras de patatas para quitarles la fécula del exterior.
<b>Las patatas frescas no están crujientes</b>	Lo crujiente que estén unas patatas fritas dependerá de la cantidad de aceite y agua en ellas	Asegúrese de que las tiras de patatas se hayan secado bien antes de añadir el aceite.
		Corte las patatas en tiras más pequeñas para que salgan más crujientes
		Añada un poco más de aceite para que salgan más crujientes

#### DATOS TÉCNICOS

Voltaje de operaciones: 230V ~ 50-60Hz

Consumo de poder: 2400W

#### GARANTIA Y SERVICIO POSVENTA

Antes del suministro, nuestros aparatos se someten a un rigurosos control de calidad. Si a pesar de todos los cuidados surgieran desperfectos durante la producción o el transporte, le rogamos devuelva el aparato a su vendedor.

Para el aparato adquirido otorgamos 2 años de garantía partiendo de la fecha de venta. Si el producto está defectuoso, puede dirigirse directamente al lugar en el que lo compró.

Todos los defectos producidos por el uso indebido del aparato, y las averías debidas a intervenciones y reparaciones por parte de terceros, o el montaje de piezas de repuestos no originales, no están cubiertos por esta garantía. Guarde siempre la factura, sin ella no podrá reclamar ningún tipo de garantía. Nos no será responsable de daños materiales o lesiones personales causadas de un mal uso del aparato o si las instrucciones de seguridad no han sido seguidas correctamente. Nos declina cualquier responsabilidad por daños derivados de no seguir las instrucciones de uso correctamente. Daños en el acceso teorías no significa libre de sustitución automática del aparato completo. En dichos, consulte el servicio al cliente. Los vidrios rotos o rotura de piezas de plástico están siempre sujetas a pago. Los defectos de los consumibles o piezas susceptibles a desgaste, así como la limpieza, mantenimiento o la sustitución de dichas piezas no están cubiertas por la garantía y por lo tanto, se deben pagar.



El símbolo del contenedor de basura tachado significa que este producto no debe eliminarse con los residuos domésticos normales. Los aparatos electrónicos y eléctricos no incluidos en el proceso de clasificación selectiva son potencialmente peligrosos para el medio ambiente y la salud humana debido a la presencia de sustancias peligrosas. Por favor, deséchelos de forma responsable en una instalación de residuos o de reciclaje autorizada.

Emerio B.V.  
Oudeweg 115  
2031 CC Haarlem  
The Netherlands

**Customer service:**  
T: +31 (0) 23 3034369  
[www.emerio.eu/service](http://www.emerio.eu/service)

**Kundeninformation:**  
T: +49 (0) 3222 1097 600  
[www.emerio.eu/service](http://www.emerio.eu/service)

**Klantenservice:**  
T: +31 (0) 23 3034369  
[www.emerio.eu/service](http://www.emerio.eu/service)

Looking for spare parts? Have a look at <https://spareparts.emerio.eu>  
Sie brauchen Ersatzteile? Besuchen Sie <https://ersatzteile.emerio.eu>  
Onderdelen nodig? Kijk op <https://onderdelen.emerio.eu>



SERVICIO DE  
ATENCIÓN AL CLIENTE



PIEZAS DE RECAMBIO