

emerio®

AF-126672



®

Smart Fryer

(EN)

(DE)

(SE)

(NL)

(FI)

(NOR)

(DK)

CE

Content – Inhalt – Innehåll – Inhoud – Pitoisuus – Innhold – Indhold

Instruction manual – English	- 2 -
Bedienungsanleitung – German	- 9 -
Bruksanvisning – Swedish.....	- 17 -
Gebruiksaanwijzing – Dutch	- 24 -
Käyttöopas – Finnish	- 31 -
Brukermanual – Norwegian	- 38 -
Brugsanvisning – Danish.....	- 45 -

Instruction manual – English

SAFETY INSTRUCTIONS

Before use make sure to read all of the below instructions in order to avoid injury or damage, and to get the best results from the appliance. Make sure to keep this manual in a safe place. If you give or transfer this appliance to someone else make sure to also include this manual.

In case of damage caused by user failing to follow the instructions in this manual the warranty will be void. The manufacturer/importer accepts no liability for damages caused by failure to follow the manual, a negligent use or use not in accordance with the requirements of this manual.

1. This appliance can be used by children aged from 8 years and above and persons with reduced physical, sensory or mental capabilities or lack of experience and knowledge if they have been given supervision or instruction concerning use of the appliance in a safe way and understand the hazards involved.
2. Children shall not play with the appliance.
3. Cleaning and user maintenance shall not be made by children unless they are older than 8 and supervised.
4. Keep the appliance and its cord out of reach of children less than 8 years.
5. If the supply cord is damaged, it must be replaced by the manufacturer, its service agent or similarly qualified persons in order to avoid a hazard.
6. Regarding the instructions for cleaning the surfaces which come in contact with food or oil, please refer to the paragraph "cleaning and maintenance" of the manual.
7. This appliance is not intended to be operated by means of an external timer or separate remote-control system.
8. This appliance is intended to be used in household and similar applications such as: staff kitchen areas in shops, offices and other working environments; farm houses; by clients in hotels, motels and other residential type environment; bed and breakfast type environments.
9. Before inserting the plug into the mains socket, please check that the voltage and frequency comply with the specifications on the rating label.
10. Disconnect the mains plug from the socket when the appliance is not in use and before cleaning.
11. If an extension cord is used it must be suited to the power consumption of the appliance, otherwise overheating of the extension cord and/or plug may occur. There is a potential risk of injuries from tripping over the extension cord. Be careful to avoid dangerous situations.
12. Ensure that the mains cable is not hung over sharp edges and keep it away from hot objects and open flames.
13. Do not immerse the appliance or the mains plug in water or other liquids. There is danger to life due to electric shock!
14. To remove the plug from the plug socket, pull the plug. Do not pull the power cord.
15. Do not touch the appliance if it falls into water. Remove the plug from its socket, turn off the appliance and send it to an authorized service center for repair.
16. Do not plug or unplug the appliance from the electrical outlet with a wet hand.
17. Never attempt to open the housing of the appliance, or to repair the appliance yourself. This could cause electric shock.
18. Never leave the appliance unattended during use.
19. This appliance is not designed for commercial use.
20. Do not use the appliance for other than intended use.
21. Do not wind the cord around the appliance and do not bend it.
22. Place the appliance on a stable, level surface from which it cannot fall off.
23. Please prevent the product to be exposed to excessive dirt and humidity.
24. Clean the product itself with a slightly damp cloth.

25. Do not operate the machine without supervision, if you should leave the workplace, always switch the machine off or remove the plug from socket (pull the plug itself, not the lead).
26. Do not place the appliance against a wall or against other appliance. Leave at least 10cm free space on the back and sides and above the appliance.
27. During hot air frying, hot steam is released through the air outlet openings. Keep your hands and face at a safe distance from the steam and from the air outlet openings. Also be careful of hot steam and air when you remove the basket from the appliance.
28. Immediately unplug the appliance if you see dark smoke coming out of the appliance. Wait for the smoke emission to stop before you remove the basket from the appliance.
29. Make sure before each use of the appliance that the heating element and surroundings are clean and clear from any food remainders in order to ensure a flawless function.

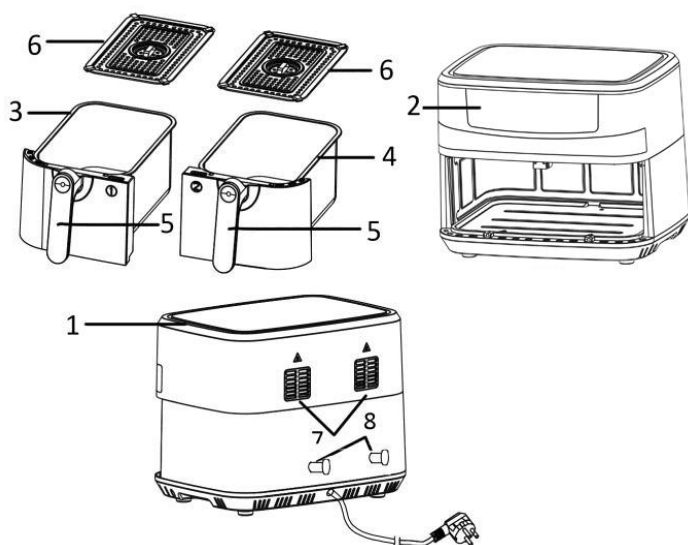


30. **Caution, hot surface.**

WARNING!! Please do not touch surface while in use. The temperature of accessible surfaces may be high when the appliance is operating.

31. Hot air comes out of the air vent at the back side of the appliance. Be sure to keep sufficient distance to materials, like glass, that are sensitive to heat.
32. If you use products with non-stick surfaces, please make sure no birds are in the same room and that the room can be completely closed off and well-ventilated.
33. Always remove baking paper from the basket after use and before/ during preheating without food.

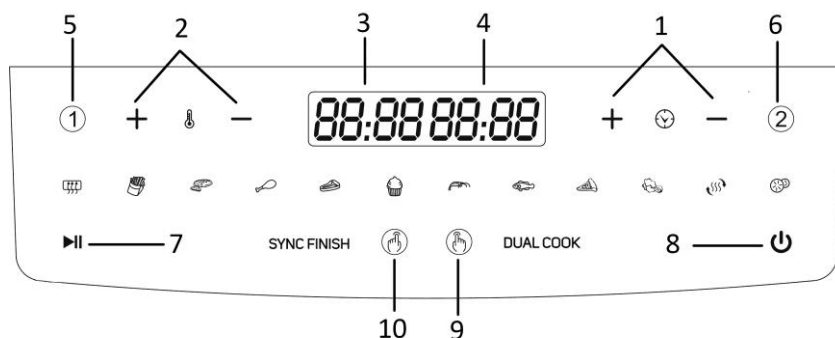
PARTS DESCRIPTION



1. Air inlet
2. Control panel and display
3. Basket 1
4. Basket 2
5. Basket handle
6. Frying grill
7. Air outlet
8. Power cord storage place

Control panel and display

1. Timer control (Press “+” or “-” to adjust the time from 1 to 60 minutes)
2. Temperature control (Press “+” or “-” to adjust the temperature from 50°C to 200°C)
3. Timer and temperature display for basket 1
4. Timer and temperature display for basket 2
5. Button 1 for basket 1
6. Button 2 for basket 2
7. Pause / start button
8. Standby / cancel button
9. Dual cook button
10. Sync finish button



Menu buttons

menu	Default time (min)	Default temperature (°C)
Pre-heat	3	180
French fries	18	200
Meat	12	200
Drumsticks	20	200
Steak	12	180
Cake	25	160
Shrimp	8	180
Fish	10	180
Pizza	20	180
Vegetable	10	160
Reheat	15	150
Dehydrate	360 (Adjustable time: 0.5 hour to 24 hours)	60



BEFORE USE

First read all instructions before use and retain the manual for later reference. Only plug this appliance into an earthed socket. Before first use, remove the packing materials. Clean the baskets and frying grills. (See “cleaning and maintenance”) Wipe inside and outside of the appliance with a soft cloth. Make sure that the electrical parts remain dry. **This appliance heats food at all directions and most of the ingredients do not need any oil.**

Operate the appliance before first use for approximately 10 minutes in order to burn off production residues. Make sure there is good ventilation. The appliance may emit some smoke and a characteristic smell when you switch it on for the first time. This is normal and will stop soon.

Note: Always use the frying grill with the silicone feet attached. They will help to stabilize the frying grill in the basket during cooking.

USE

1. Place the appliance on a dry, stable and heat-resistant surface.
2. Since the appliance becomes hot during use, make sure that it is not too close to other objects.
3. Pull out the basket from the appliance by the basket handle. Put the frying grill into the basket.
4. Place the ingredients into the basket. (Do not exceed the MAX level indicated inside the basket.) Slide the basket into the appliance. Make sure they are placed correctly and closed completely.
Caution: Do not fill the basket with oil or any other liquid. Do not touch the basket during use or after use in short time as it gets very hot. Only hold the basket by the handle.
5. Connect the power plug to a suitable outlet. The machine is now standby. Press the standby button , all icons will display in the control panel.
6. Press the button 1, then press the menu buttons to choose the cooking function and adjust the time and temperature for basket 1; you can press "+" or "-" to adjust the time (1 minutes / press) and temperature (10 degrees / press). You can also long press "+" or "-" for rapid adjustment.
7. Press the button 2, then press the menu buttons to choose the cooking function and adjust the time and temperature for basket 2.
8. Press the pause/start button; the appliance will start working. The basket with less working time will finish first.
9. When the cooking process is finished, the appliance will stop working with beep sound. You can also manually turn off the appliance by pressing the button .
During operation, you can press the pause button to pause the program, and press it again to continue the program.
10. Pull out the basket from the appliance by the basket handle. Check if the ingredients are ready. If not, simply slide the basket back into the appliance. Select the menu to set the temperature and the timer to a few extra minutes. Then press the pause/start button to run the appliance again. NOTE: You can also pull out the basket to check and shake the ingredients during cooking process.
11. To remove ingredients (e.g. beef, chicken, meat) with original oil and will have excess oil collected on the bottom of the basket during frying, please use tongs to pick ingredients one by one;
To remove ingredients (e.g. chips, vegetable) with no excess oil collected on the bottom of the basket during frying, please pull out the basket, and pour ingredients to tableware.
Note: The basket and the ingredients are hot after frying. Depending on the type of the ingredients in the appliance, steam may escape from the basket.
12. After the cooking is done, the appliance is instantly ready for preparing another batch of ingredients if needed.


Sync finish function

- 1) Press the "SYNC FINISH" button, the icon will blink.
- 2) Press the button 1 to set a cooking program for basket 1;
- 3) press the button 2 to set a cooking program for basket 2.
- 4) Press the pause/start button; the zone with more working time will start first. Another zone with less working time will start later. Both zones will finish working together.

Dual cook function

- 1) Press the "DUAL COOK" button, then press the menu buttons to choose the cooking function and adjust the time and temperature for both zones. They will work on the same program.
- 2) Press the pause / start button; the appliance starts working.

Pre-heat Function

Press button "", and then press "+" or "-" to adjust the temperature (50°C to 200°C) and time (1 to 60 minutes) required for pre-heating.

Note:

- 1) The menu buttons, timer and temperature buttons can only be adjusted while button 1, button 2 or dual cook button is blinking.
- 2) For small quantities of food, you can cook with only one basket. Select a program for that basket, and then press the pause/start button.
- 3) When cooking in both zones, more cooking time will be needed.

FRYING TIPS

1. The optimal amount for crispy fries is 450-600 grams for each basket.
2. Add 3 more minutes to the preparation time when the appliance is cold, or you can also let the appliance preheat approx. 4 minutes without any ingredients inside.
3. Some ingredients require shaking halfway through the preparation time. To shake or turn over the ingredients, pull the basket out of the appliance by the handle and shake it or turn over the ingredients by fork (or tongs). Then slide the basket back into the appliance.
4. You can also use the fryer to reheat ingredients. To reheat ingredients, set the temperature to 150°C for up to 10 minutes.
5. Products with crust of dry breadcrumbs will get crispier by spraying them with a little vegetable oil.
6. Place a baking tin or an oven dish in the appliance if you want to bake a cake or quiche or other fragile ingredients.
7. Do not prepare extremely greasy ingredients such as sausages in the appliance.

CAUTION:

1. Do not immerse the housing in water or rinse it under the tap.
2. Avoid any liquid entering the appliance to prevent from electric shock or short circuit.
3. Keep all ingredients in the basket to prevent any contact with heating elements.
4. Do not cover the air inlet and the outlet when the appliance is working. Leave at least 10cm free space around and above the appliance.
5. Filling the basket with oil may cause a fire hazard!
6. Do not touch the inside of the appliance when it is in operation.
7. Be careful of the hot steam and air when you remove the basket from the appliance.
8. During operation, hot steam is released through the air outlet. Keep your hands and face at a safe distance from the steam and the air outlet.
9. Immediately turn off and unplug the appliance if you see any dark smoke coming out of the appliance, which means the food is overcooked or the appliance broke down.

FRYING TABLE

If the instructions on the product pack should deviate from the values shown in this table, the instructions on the pack should be followed. Add 3 minutes to the preparation time before you start frying if the appliance is cold.

Ingredient	Amount per zone (g)	Tem. (°C)	Time (min.)		Extra information
			Single zone	Dual zone	
Carrots	450	200	13-16	25-30	Add 1 tbsp of oil
Green beans	350	200	8-10	10-15	Add 1 tbsp of oil
Mushrooms	250	200	7-9	13-15	Add 1 tbsp of oil
Shrimp	450	180	7-10	10-13	Add 1 tbsp of oil
Steaks	250	180	10-20	14-28	Brushed with oil
French fries	450	200	15-22	28-32	
Chicken breasts	300	200	22-24	25-28	Brushed with oil
Pork chops	250	200	14-17	17-25	Brushed with oil
Chicken nuggets	350	200	10-13	18-21	
Pizza rolls	550	200	12-15	15-18	
Onion rings	300	190	13-16	18-22	

CLEANING AND MAINTENANCE

1. Before handling or cleaning the appliance, let it cool down for approximately 30 minutes. Clean the appliance on all the inside and outside regularly.
2. Clean the outside and inside of the appliance with a damp cloth and dry with a soft, clean cloth.
3. Never use abrasive cleaners or sponges.
4. Remove the basket to let the appliance cool down more quickly. Clean the baskets and frying grills in hot water with a washing liquid and a non-abrasive sponge. Dry well before use.
5. Clean the heating element inside of the housing (You can see it after pull out the basket) with a cleaning brush to remove any food residues.

Note: The baskets and frying grills are dishwasher safe.

TROUBLE SHOOTING

Problem	Possible cause	Solution
The appliance does not work.	The appliance is not plugged in.	Put the mains plug in an earthed wall socket.
	You have not pressed the pause / start button to turn on the machine.	Press the button to turn on the appliance.
The ingredients are not fried completely.	The amount of the food in the basket is too high.	Put smaller batches of ingredients in the basket. Smaller batches are fired more evenly.
	The temperature is too low or the time is not enough.	Press "+" to adjust the temperature to the required temperature or cook extra time.
The ingredients are fried unevenly.	Different types of food may need to be shaken halfway during cooking.	Shake food halfway during the cooking time.
Fried snacks are not crispy	You used a type of snacks which shall be cooked in a traditional deep fryer.	Use oven snacks or lightly brush some oil onto the snacks for a crispier result.
White smoke comes out from the appliance.	You are preparing greasy ingredients.	Pay attention that the temperature is well-controlled to be under 180°C, when you fry greasy ingredients in the air fryer.
	The basket still contains grease residues from previous use.	Clean the basket properly after each use.

Fresh fries are fried unevenly.	Haven't used the right potato type.	Use fresh potatoes and make sure that they stay firm during frying
	Haven't rinsed the potato sticks properly before frying.	Rinse the potato sticks properly to remove starch from the outside of the sticks.
Fresh fries are not crispy	The crispness of the fries depends on the amount of oil and water in the fries	Make sure the potato sticks have been dried properly before adding the oil.
		Cut the potato sticks smaller for a crispier result
		Add slightly more oil for a crispier result

TECHNICAL DATA

Operating voltage: 230V~ 50Hz-60Hz

Power: 2400W

GUARANTEE AND CUSTOMER SERVICE

Before delivery our devices are subjected to rigorous quality control. If, despite all care, damage has occurred during production or transportation, please return the device to your dealer.

For the purchased device we provide 2 years guarantee, commencing from the day of sale. If you have a defective product, you can directly go back to the point of purchase.

Defects which arise due to improper handling of the device and malfunctions due to interventions and repairs by third parties or the fitting of non-original parts are not covered by this guarantee. Always keep your receipt, without the receipt you can't claim any form of warranty. Damage caused by not following the instruction manual, will lead to a void of warranty, if this results in consequential damages then we will not be liable. Neither can we hold responsible for material damage or personal injury caused by improper use if the instruction manual is not properly executed. Damage to accessories does not mean free replacement of the whole appliance. In such case please contact our service department. Broken glass or breakage of plastic parts is always subject to a charge. Defects to consumables or parts subjected to wearing, as well as cleaning, maintenance or the replacement of said parts are not covered by the warranty and are to be paid.



The crossed out wheeled bin symbol means that this product shall not be disposed of with normal household waste. Electronic and Electrical Equipment not included in the selective sorting process are potentially dangerous for the environment and human health due to the presence of hazardous substances. Please dispose of responsibly at an approved waste or recycling facility.

Bedienungsanleitung – German

SICHERHEITSHINWEISE

Lesen Sie vor dem Gebrauch unbedingt die nachfolgenden Anleitungen, um Verletzungen oder Beschädigungen zu vermeiden und das beste Ergebnis mit dem Gerät zu erzielen. Bewahren Sie diese Bedienungsanleitung an einem sicheren Ort auf. Wenn Sie dieses Gerät an eine andere Person weitergeben, stellen Sie sicher, dass Sie auch diese Bedienungsanleitung aushändigen.

Im Falle von Beschädigungen, die durch die Missachtung der Anleitungen in dieser Bedienungsanleitung verursacht wurden, wird die Garantie ungültig. Der Hersteller/Importeur haftet nicht für Schäden, die durch Missachtung der Bedienungsanleitung, fahrlässigen Gebrauch oder Benutzung, die nicht in Übereinstimmung mit den Anforderungen dieser Bedienungsanleitung erfolgt, verursacht wurden.

1. Dieses Gerät kann von Kindern ab 8 Jahren und Personen mit eingeschränkten körperlichen, sensorischen oder geistigen Fähigkeiten oder mangelnder Erfahrung und Kenntnis benutzt werden, wenn sie beaufsichtigt werden oder in die sichere Benutzung des Gerätes unterwiesen werden und die damit verbundenen Gefahren verstehen.
2. Kinder dürfen nicht mit dem Gerät spielen.
3. Die Reinigung und vom Benutzer auszuführende Wartungsarbeiten sollten nicht von Kindern durchgeführt werden; es sei denn, sie sind älter als 8 Jahre und werden beaufsichtigt.
4. Halten Sie das Gerät und sein Netzkabel außer Reichweite von Kindern unter 8 Jahren.
5. Wenn das Netzkabel beschädigt ist, muss es vom Hersteller, seinem Kundendienst oder einer ähnlich qualifizierten Person ausgewechselt werden, um Gefahren zu vermeiden.
6. Um Informationen zur Reinigung der Flächen zu erhalten, die mit Lebensmitteln oder Öl in Berührung kommen, lesen Sie bitte den Abschnitt „Reinigung und Wartung“ in der Bedienungsanleitung.
7. Dieses Gerät ist nicht für die Bedienung über einen externen Timer oder ein separates Fernbedienungssystem bestimmt.
8. Dieses Gerät ist dafür vorgesehen, im Haushalt und in ähnlichen Einsatzbereichen benutzt zu werden, wie zum Beispiel: Mitarbeiter-Küchenbereiche in Geschäften, Büros und anderen Arbeitsumgebungen; Bauernhöfe; die Benutzung durch Gäste in Hotels, Motels und anderen Unterkunftsarten; Frühstückspensionen.
9. Bevor Sie den Stecker mit der Netzsteckdose verbinden, prüfen Sie bitte, ob die Spannung und die Frequenz mit den Angaben auf dem Typenschild übereinstimmen.
10. Ziehen Sie den Netzstecker aus der Steckdose, wenn das Gerät nicht benutzt und bevor es gereinigt wird.
11. Falls ein Verlängerungskabel verwendet wird, muss es für den Stromverbrauch des Gerätes geeignet sein, sonst kann es zum Überhitzen des Verlängerungskabels und/oder des Steckers kommen. Es besteht Verletzungsgefahr durch Stolpern über das Verlängerungskabel. Lassen Sie Vorsicht walten, um gefährliche Situationen zu vermeiden.
12. Achten Sie darauf, dass das Netzkabel nicht über scharfe Kanten hängt und halten Sie es von heißen Objekten und offenen Flammen fern.
13. Tauchen Sie das Gerät oder den Netzstecker nicht in Wasser oder andere Flüssigkeiten. Es besteht Lebensgefahr aufgrund von Stromschlag!
14. Um den Stecker aus der Steckdose zu entfernen, ziehen Sie am Stecker. Ziehen Sie nicht am Kabel.
15. Berühren Sie das Gerät nicht, wenn es ins Wasser gefallen ist. Ziehen Sie den Stecker aus der Steckdose, schalten Sie das Gerät aus und schicken Sie es an einen autorisierten Kundendienst zwecks Reparatur.
16. Den Netzstecker des Gerätes nicht mit einer nassen Hand aus der Steckdose ziehen oder mit der Steckdose verbinden.
17. Versuchen Sie unter keinen Umständen, das Gehäuse des Gerätes zu öffnen oder das Gerät selbst zu reparieren. Dies könnte einen Stromschlag verursachen.
18. Lassen Sie das Gerät während des Gebrauchs niemals unbeaufsichtigt.
19. Dieses Gerät ist nicht für den gewerblichen Gebrauch konzipiert.
20. Verwenden Sie das Gerät nur zu seinem bestimmungsgemäßen Zweck.

21. Wickeln Sie das Kabel nicht um das Gerät und knicken Sie es nicht.
22. Stellen Sie das Gerät auf eine stabile, ebene Fläche, von der es nicht herunterfallen kann.
23. Bitte schützen Sie das Produkt vor übermäßiger Verschmutzung und Feuchtigkeit.
24. Reinigen Sie das Produkt selbst mit einem leicht angefeuchteten Tuch.
25. Lassen Sie das Gerät nicht unbeaufsichtigt laufen. Wenn Sie den Arbeitsplatz verlassen, schalten Sie das Gerät immer aus oder ziehen Sie den Stecker aus der Steckdose (ziehen Sie direkt am Stecker, nicht am Kabel).
26. Das Gerät nicht an eine Wand oder ein anderes Gerät stellen. Lassen Sie mindestens 10 cm Platz an Rückseite, Seiten und über dem Gerät.
27. Beim Frittieren mit Heißluft entweicht heißer Dampf durch die Luftaustrittsöffnungen. Halten Sie Ihre Hände und Ihr Gesicht in einem sicheren Abstand zum Dampf und zu den Luftaustrittsöffnungen. Nehmen Sie sich auch vor heißem Dampf und heißer Luft in Acht, wenn Sie den Behälter aus dem Gerät entfernen.
28. Ziehen Sie sofort den Stecker des Gerätes aus der Steckdose, wenn Sie dunklen Rauch aus dem Gerät kommen sehen. Warten Sie, bis kein Rauch mehr zu sehen ist, bevor Sie den Behälter aus dem Gerät nehmen.
29. Vergewissern Sie sich vor jedem Gebrauch des Gerätes, dass das Heizelement und die Umgebung sauber und frei von Speiseresten sind, um eine einwandfreie Funktion zu gewährleisten.

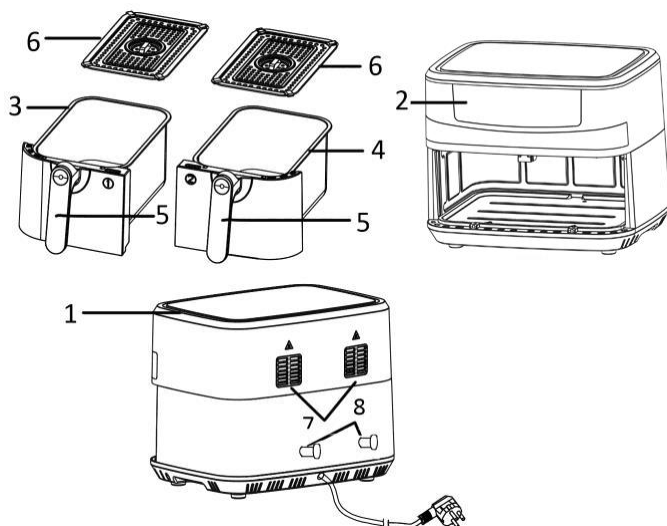


30. **Vorsicht – heiße Oberfläche.**

WARNUNG! Bitte berühren Sie während des Gebrauchs nicht die Oberfläche. Die Temperatur der zugänglichen Oberflächen kann sehr hoch sein, wenn das Gerät in Betrieb ist.

31. Aus dem Lüftungsschlitz an der Rückseite des Gerätes kommt heiße Luft. Achten Sie darauf, ausreichend Abstand zu Material, das hitzeempfindlich ist, wie zum Beispiel Glas, einzuhalten.
32. Wenn Sie Produkte mit Antihafbeschichtung benutzen, stellen Sie bitte sicher, dass sich keine Vögel im gleichen Zimmer befinden und dass das Zimmer komplett geschlossen und gut belüftet werden kann.
33. Backpapier immer nach dem Gebrauch und bevor/während des Vorheizens ohne Lebensmittel.

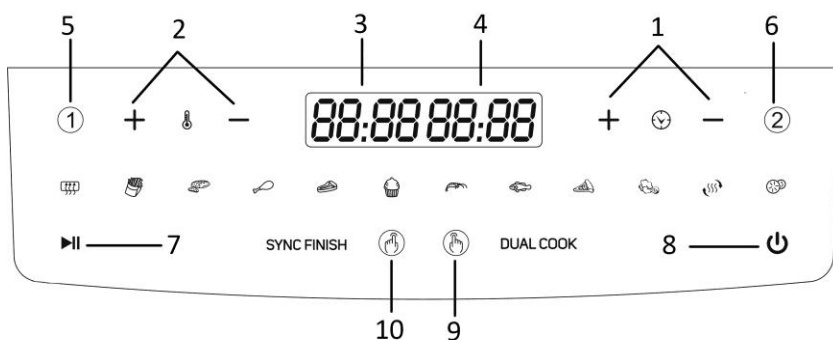
TEILEBESCHREIBUNG



1. Lufteinlass
2. Bedienfeld und Display
3. Einsatz 1
4. Einsatz 2
5. Einsatzgriff
6. Bratrost
7. Luftauslass
8. Aufbewahrung für das Netzkabel

Bedienfeld und Display

1. Timer-Steuerung (auf "+" oder "-" drücken, um die Zeit von 1 bis 60 Minuten einzustellen)
2. Temperatur-Steuerung (auf "+" oder "-" drücken, um die Temperatur auf einen Wert zwischen 50 und 200 °C einzustellen)
3. Timer- und Temperaturanzeige für Einsatz 1
4. Timer- und Temperaturanzeige für Einsatz 2
5. Schalter 1 für Einsatz 1
6. Schalter 2 für Einsatz 2
7. Taste Pause/Start
8. Taste Standby/Abbruch
9. Taste Dual garen
10. Taste Synchronisation abschließen



Menütasten

Menü	Standardzeit (Min.)	Standardtemperatur (°C)
Vorheizen	3	180
Pommes Frites	18	200
Fleisch	12	200
Hähnchenkeulen	20	200
Steak	12	180
Kuchen	25	160
Garnelen	8	180
Fisch	10	180
Pizza	20	180
Gemüse	10	160
Aufwärmen	15	150
Dehydrieren	360 (Einstellbare Zeit: 0,5 bis 24 Stunden)	60

VOR DEM GEBRAUCH

Lesen Sie vor Gebrauch zuerst alle Anweisungen durch und bewahren Sie diese für späteres Nachschlagen auf. Schließen Sie dieses Gerät ausschließlich an eine geerdete Steckdose an. Entfernen Sie vor der Erstinutzung das Verpackungsmaterial. Einsätze und Bratroste reinigen. (siehe "Reinigung und Instandhaltung"). Reinigen Sie das Gerät innen und außen mit einem weichen Tuch. Achten Sie hierbei darauf, dass die elektrischen Bauteile

trocken bleiben. **Dieses Gerät erhitzt Lebensmittel vollständig und für die meisten Zutaten kann auf eine Hinzugabe von Öl verzichtet werden.**



Betreiben Sie das Gerät vor der erstmaligen Nutzung für ca. 10 Minuten, um evtl. Produktionsrückstände zu verbrennen. Achten Sie auf eine gute Belüftung. Nach dem ersten Einschalten kann das Gerät etwas Rauch und einen charakteristischen Geruch absondern. Das ist normal und vergeht nach relativ kurzer Zeit wieder.

Hinweis: Verwenden Sie den Bratrost immer mit den Silikonfüßen. Sie stabilisieren den Bratrost während des Garvorgangs im Frittierkorb.

GEBRAUCH

1. Stellen Sie das Gerät auf eine trockene, feste und hitzebeständige Fläche.
2. Das Gerät wird während des Gebrauchs heiß; stellen Sie es daher nicht in die unmittelbare Nähe anderer Objekte.
3. Ziehen Sie den Frittierkorb am Frittierkorbgriff aus dem Gerät. Stellen Sie den Bratrost in den Frittierkorb.
4. Geben Sie die Zutaten in den Einsatz. (Überschreiten Sie nicht die MAX-Markierung im Inneren des Einsatzes.) Schieben Sie den Frittierkorb in das Gerät. Vergewissern Sie sich über die korrekte Position und ein vollständiges Schließen.

Vorsicht: Füllen Sie den Einsatz nicht mit Öl oder einer anderen Flüssigkeit. Berühren Sie den Frittierkorb nicht während des Betriebes oder kurz nach dem Betrieb, da er sehr heiß wird. Fassen Sie den Frittierkorb nur am Griff an.

5. Netzstecker an eine geeignete Steckdose anschließen. Das Gerät ist jetzt im Standby-Betrieb. Die Standby-Taste  drücken. Alle Symbole werden im Bedienfeld angezeigt.
6. Die Taste 1 und anschließend die Menü-Tasten drücken, um die Garfunktion auszuwählen. Dauer und Temperatur für Einsatz 1 wählen. Mit den Tasten "+" und "-" die Zeit (pro Tastendruck 1 Minute) und die Temperatur (pro Tastendruck 10 Grad) ggf. ändern. Zum schnelleren Einstellen die Tasten „+“ und „-“ länger gedrückt halten.
7. Die Taste 2 und anschließend die Menü-Tasten drücken, um die Garfunktion auszuwählen und die Zeit und Temperatur für Einsatz 2 einzustellen.
8. Die Taste Pause/Start drücken. Das Gerät wird in Betrieb gesetzt. Der Einsatz mit der kürzeren Garzeit ist zuerst fertig.
9. Wenn Garvorgang beendet ist, gibt das Gerät einen Ton aus und schaltet sich ab. Mit der Taste  kann das Gerät auch manuell abgestellt werden.
Während des Betriebs können Sie die Pause-Taste zum Unterbrechen des Vorgangs drücken. Zum Fortsetzen drücken Sie erneut die Pause-Taste.
10. Ziehen Sie den Korb am Korbgriff aus dem Gerät. Prüfen Sie, ob die Speisen gar sind. Falls nicht, schieben Sie den Korb wieder in das Gerät. Rufen Sie das Menü auf, um die Temperatur einzustellen und den Timer ein paar Minuten zu verlängern. Drücken Sie anschließend die Pause/Start-Taste, um den Vorgang fortzusetzen. HINWEIS: Während der Zubereitung können Sie auch den Korb herausziehen, um den Zustand zu prüfen und dabei die Zutaten zu schütteln.
11. Nehmen Sie fetthaltige Speisen, wie z. B. Rindfleisch, Huhn, andere Fleischsorten, deren überschüssiges Fett sich während des Garvorgangs auf dem Boden des Frittierkorbs sammelt, bitte einzeln mit einer Zange heraus.
Um Speisen zu entnehmen, bei denen sich kein überschüssiges Fett während des Garvorgangs am Boden des Frittierkorbs sammelt (z. B. Pommes frites, Gemüse), ziehen Sie den Frittierkorb aus dem Gerät und geben Sie die Speisen direkt auf die Teller.
Hinweis: Frittierkorb und Speisen sind nach dem Frittieren heiß. Je nach Zutaten in der Schale kann heißer Dampf austreten.
12. Nach beendetem Garen ist das Gerät sofort für die Zubereitung einer weiteren Zutatenportion bereit.


Funktion Synchronisation abschließen

- 1) Drücken Sie die Taste für „SYNCHRONISATION ABSCHLIESSEN“. Das Symbol blinkt.
- 2) Drücken Sie Taste 1, um ein Garprogramm für Einsatz 1 zu wählen.
- 3) Drücken Sie Taste 2, um ein Garprogramm für Einsatz 2 zu wählen.
- 4) Drücken Sie die Pause/Start-Taste. Die Zone mit der längeren Gardauer startet zuerst. Die andere Zone mit der kürzeren Garzeit startet später. Beide Zonen werden passend fertig.

Funktion Parallel garen

- 1) Drücken Sie die „DUAL GAREN“ und anschließend die Menü-Tasten, um die Garfunktion auszuwählen und die Zeit und Temperatur für beide Zonen einzustellen. Beide arbeiten das gleiche Programm ab.
- 2) Drücken Sie die Taste Pause/Start. Das Gerät wird in Betrieb gesetzt.

Vorheizfunktion

Drücken Sie die Taste  und danach auf „+“ oder „-“, um die Temperatur (50°C bis 200°C) und Dauer (1 bis 60 Minuten) für das Vorheizen einzustellen.

Hinweis:

- 1) Die Tasten für Menü, Timer und Temperatur können nur bedient werden, solange Taste 1, Taste 2 oder die Taste „Dual garen“ blinken.
- 2) Bei kleineren Portionen können Sie nur mit einem Korbeinsatz kochen. Wählen Sie ein Programm für den Einsatz und drücken Sie die Pause/Start-Taste.
- 3) Beim Garen in beiden Zonen verlängert sich die benötigte Garzeit.

FRITTIERTIPPS

1. Die optimale Menge für knusprige Pommes Frites liegt bei 450 - 600 Gramm pro Einsatz.
2. Verlängern Sie die Zubereitungszeit um 3 Minuten, wenn das Gerät kalt ist, oder heizen Sie das leere Gerät ungefähr 4 Minuten lang vor.
3. Manche Speisen müssen nach der Hälfte der Garzeit geschüttelt werden. Um die Speisen zu schütteln oder umzudrehen, ziehen Sie den Frittierkorb am Griff aus dem Gerät und schütteln Sie ihn oder drehen Sie die Speisen mit einer Gabel (oder Zange) um. Schieben Sie dann den Frittierkorb zurück ins Gerät.
4. Sie können die Fritteuse auch für das Wiedererwärmen von Zutaten verwenden. Stellen Sie die Temperatur zum Aufwärmen von Speisen für 10 Minuten auf 150 °C ein.
5. Panierte Speisen werden knuspriger, wenn sie mit etwas Pflanzenöl eingesprüht werden.
6. Stellen Sie eine Backform oder eine Auflaufform in das Gerät, wenn Sie einen Kuchen, eine Quiche oder andere mürbe Speisen backen möchten.
7. Bereiten Sie keine extrem fettigen Speisen, wie zum Beispiel Würstchen, in dem Gerät zu.

VORSICHT:

1. Tauchen Sie das Gehäuse nicht ins Wasser und spülen Sie es nicht unter dem Wasserhahn ab.
2. Vermeiden Sie das Eindringen von Flüssigkeiten in das Gerät, um einen Stromschlag oder Kurzschluss zu verhindern.
3. Geben Sie die Zutaten ausschließlich in den Einsatz und vermeiden Sie so, dass die Zutaten in Kontakt mit den Heizelementen kommen.
4. Der Luftein- und -auslass darf während der Betriebszeit des Geräts nicht abgedeckt werden. Lassen Sie mindestens 10 cm Platz rund um und über dem Gerät.
5. Es besteht die Gefahr eines Feuers, wenn der Frittierinsatz mit Öl gefüllt wird!
6. Berühren Sie nicht die Innenseite des Gerätes, wenn es läuft.
7. Vorsicht mit heißem Dampf und heißer Luft, wenn der Einsatz aus dem Gerät genommen wird.

8. Während des Betriebs strömt heißer Dampf aus dem Luftauslass. Halten Sie mit Händen und Gesicht einen sicheren Abstand zum Luftauslass und Dampf.
9. Schalten Sie das Gerät sofort aus und ziehen Sie den Gerätestecker aus der Steckdose, wenn Sie dunklen Rauch aus dem Gerät quellen sehen. Das bedeutet, dass die Speisen verbrannt sind oder dass Fehlfunktionen auftreten.

FRITTIERTABELLE

Falls die Anweisungen auf der Produktverpackung von den Angaben in dieser Tabelle abweichen, sollten die Anweisungen auf der Verpackung befolgt werden. Wenn das Gerät noch kalt ist, addieren Sie zu der Frittierdauer noch 3 Minuten Vorbereitungszeit.

Zutat	Menge pro Zone (g)	Temp. (°C)	Zeit (Min.)		Weitere Informationen
			Eine Zone	Beide Zonen	
Karotten	450	200	13-16	25-30	1 EL Öl zugeben
Grüne Bohnen	350	200	8-10	10-15	1 EL Öl zugeben
Pilze	250	200	7-9	13-15	1 EL Öl zugeben
Garnelen	450	180	7-10	10-13	1 EL Öl zugeben
Steaks	250	180	10-20	14-28	Mit Öl gebürstet
Pommes Frites	450	200	15-22	28-32	
Hähnchenbrust	300	200	22-24	25-28	Mit Öl gebürstet
Schweinekoteletts	250	200	14-17	17-25	Mit Öl gebürstet
Chicken Nuggets	350	200	10-13	18-21	
Pizzabrötchen	550	200	12-15	15-18	
Zwiebelringe	300	190	13-16	18-22	

REINIGUNG UND INSTANDHALTUNG

1. Lassen Sie das Gerät für ca. 30 Minuten abkühlen, bevor Sie es anfassen oder säubern. Reinigen Sie das Gerät regelmäßig von innen und außen.
2. Säubern Sie die Außen- und Innenseite des Geräts mit einem feuchten Tuch und reiben Sie es mit einem weichen, sauberen Tuch trocken.
3. Keinesfalls scheuernde Reiniger oder Schwämme verwenden.
4. Nehmen Sie den Frittierkorb heraus, damit sich das Gerät schneller abkühlen kann. Reinigen Sie die Korbeinsätze und Bratroste mit Spülmittel, heißem Wasser und einem nicht scheuernden Schwamm. Vor dem Gebrauch gründlich abtrocknen.
5. Entfernen Sie etwaige Speisereste vom Heizelement im Gehäuse (wird nach der Entnahme des Frittierkorbs sichtbar) mit einer Reinigungsbürste.

Hinweis: Die Einsätze und Bratroste sind spülmaschinenfest.

FEHLERBEHEBUNG

Problem	Mögliche Ursache	Lösung
Das Gerät funktioniert nicht.	Das Gerät ist nicht am Strom angeschlossen.	Den Netzstecker an eine geerdete Wand-Steckdose anschließen.
	Zum Einschalten des Geräts haben Sie nicht die Pause/Start-Taste gedrückt.	Drücken Sie die Taste, um das Gerät einzuschalten.
Die Zutaten sind nicht durchgegart.	Die Menge der Lebensmittel im Frittierereinsatz ist zu groß.	Fügen Sie kleinere Mengen an Zutaten in den Einsatz. Kleinere Mengen werden gleichmäßiger frittiert.

	Die Temperatur ist zu niedrig oder die Zeit zu kurz eingestellt.	Drücken Sie auf "+", um die Temperatur auf den erforderlichen Wert einzustellen oder stellen Sie ein paar extra Minuten ein.
Die Zutaten sind ungleichmäßig frittiert.	Verschiedene Lebensmittelarten müssen in der Hälfte der Zubereitungszeit geschüttelt werden.	Schütteln Sie die Lebensmittel während der Hälfte der Zubereitungszeit.
Die gebratenen Snacks sind nicht knusprig.	Sie haben eine Art Snacks benutzt, die in einer traditionellen Fritteuse frittiert werden sollten.	Verwenden Sie Ofen-Snacks oder streichen Sie ein bisschen Öl auf die Snacks für ein knusprigeres Resultat.
Aus dem Gerät steigt weißer Rauch.	Sie bereiten fettige Zutaten zu.	Beim Frittieren fettiger Zutaten tropft Öl in die Schale. Die Schale kann sich erhitzen und das Öl verursacht weißen Rauch. Das beeinträchtigt weder das Kochergebnis noch wird das Gerät beschädigt.
	Die Schale enthält von vorheriger Nutzung Fettreste.	Reinigen Sie die Schale gründlich nach jeder Nutzung.
Frische Pommes Fritten sind ungleichmäßig frittiert.	Sie verwenden einen falschen Kartoffeltyp.	Verwenden Sie frische Kartoffeln und achten Sie darauf, dass sie während des Frittierens fest bleiben.
	Sie haben die Kartoffelstäbchen vor dem Frittieren nicht richtig abgespült.	Spülen Sie die Kartoffelstäbchen richtig ab, um Stärke von der Außenseite der Stäbchen zu entfernen.
Frische Pommes sind nicht knusprig.	Die Knusprigkeit der Pommes hängt vom Gehalt an Öl und Wasser in den Pommes ab.	Achten Sie darauf, dass die Kartoffelstäbchen richtig abgetrocknet wurden, bevor Sie Öl hinzufügen.
		Schneiden Sie die Kartoffelstückchen kleiner für ein knusprigeres Resultat.
		Fügen Sie für ein knusprigeres Resultat etwas mehr Öl hinzu.

TECHNISCHE DATEN

Betriebsspannung: 230V~ 50Hz-60Hz

Leistung: 2400W

GEWÄHRLEISTUNG UND KUNDENSERVICE

Vor der Lieferung werden unsere Geräte einer strengen Qualitätskontrolle unterzogen. Wenn, trotz aller Sorgfalt, während der Produktion oder dem Transport Beschädigungen aufgetreten sind, senden Sie das Gerät zurück an den Händler.

Wir bieten eine 2-Jahres-Gewährleistung für das erworbene Gerät, beginnend am Tag des Verkaufs. Wenn Sie ein defektes Produkt haben, nehmen Sie bitte direkt Kontakt mit dem Verkäufer auf.

Defekte, die aufgrund von unangemessenem Umgang mit dem Gerät entstehen und Störungen aufgrund von Eingriffen und Reparaturen Dritter oder das Montieren von nicht-Originalteilen werden nicht von dieser Gewährleistung abgedeckt. Die Quittung immer aufbewahren, ohne Quittung wird jegliche Gewährleistung

ausgeschlossen. Bei Schäden durch Nichteinhalten der Bedienungsanleitung erlischt die Gewährleistung, Wir sind für daraus resultierende Folgeschäden nicht haftbar. Für Materialschäden oder Verletzungen aufgrund falscher Anwendung oder Nichtbefolgen der Sicherheitshinweise sind wir nicht haftbar. Schäden an den Zubehörteilen bedeutet nicht, dass das gesamte Gerät kostenlos ausgetauscht wird. In diesem Fall kontaktieren Sie unseren Kundendienst. Zerbrochenes Glas oder Kunststoffteile sind immer kostenpflichtig. Schäden an Verbrauchsmaterialien oder Verschleißteilen, sowie Reinigung, Wartung oder Austausch der besagten Teile werden durch die Gewährleistung nicht abgedeckt und sind deshalb kostenpflichtig.



Das nebenstehende Symbol einer durchgestrichenen Mülltonne auf Rädern zeigt an, dass dieses Gerät der Richtlinie 2012/19/EU unterliegt. Diese Richtlinie besagt, dass Sie dieses Gerät am Ende seiner Nutzungszeit nicht mit dem normalen Haushaltsmüll entsorgen dürfen, sondern in speziell eingerichteten Sammelstellen, Wertstoffhöfen oder Entsorgungsbetrieben abgeben müssen. Diese Entsorgung ist für Sie kostenfrei. Schonen Sie die Umwelt und entsorgen Sie fachgerecht.

Beim Kauf eines Neugerätes haben Sie das Recht, das entsprechende Altgerät an Ihren Händler zurückzugeben. Händler von Elektro- und Elektronikgeräten mit einer Verkaufsfläche von mindestens 400 qm sowie Lebensmittelhändler mit einer Verkaufsfläche von mindestens 800 qm, die regelmäßig Elektro- und Elektronikgeräte verkaufen, sind außerdem verpflichtet, Altgeräte unentgeltlich zurückzunehmen, auch ohne dass ein Neugerät gekauft wird, wenn die Altgeräte in keiner Abmessung größer sind als 25 cm. Client Name bietet Ihnen Rücknahmemöglichkeiten direkt in den Filialen und Märkten an. Informieren Sie sich auch bei Ihrem Händler über die Rücknahmemöglichkeiten vor Ort.

Sofern Ihr Altgerät personenbezogene Daten enthält, sind Sie selbst für deren Löschung verantwortlich, bevor Sie es zurückgeben. Sofern dies ohne Zerstörung des Altgerätes möglich ist, entnehmen Sie die alten Batterien oder Akkus sowie Lampen bevor Sie das Altgerät zur Entsorgung zurückgeben und führen Sie sie einer separaten Sammlung zu. Bei fest eingebauten Akkus ist bei der Entsorgung darauf hinzuweisen, dass das Gerät einen Akku enthält. Weitere Möglichkeiten zur Entsorgung des ausgedienten Produkts erfahren Sie bei Ihrer Gemeinde- oder Stadtverwaltung.

Bruksanvisning – Swedish

SÄKERHETSANVISNINGAR

Före användning och för att erhålla bästa resultat från apparaten, var noga med att läsa igenom alla instruktioner nedan för att undvika skada på person eller egendom. Se till att förvara denna bruksanvisning på en säker plats. Om du ger bort eller överlåter denna apparat till någon, se till att även inkludera denna bruksanvisning.

Vid skador som orsakats av att användaren inte följer instruktionerna i denna bruksanvisning ogiltighetsförklaras garantin. Tillverkaren/importören tar inget ansvar för skador som orsakats av underlåtenhet att följa bruksanvisningen, vid en vårdslös användning eller användning som inte är i enlighet med kraven i denna bruksanvisning.

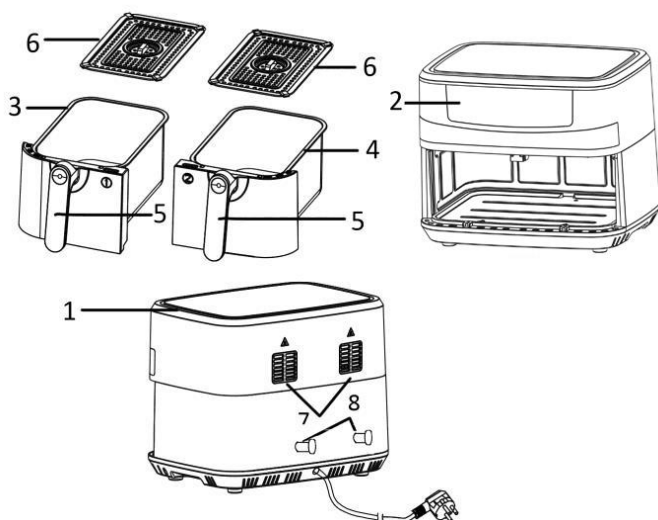
1. Denna apparat kan användas av barn från 8 år och uppåt, samt av personer med nedsatt fysisk, sensorisk eller mental förmåga eller av personer som saknar erfarenhet och kunskap under förutsättning att de övervakas eller mottagit instruktioner för säker användning av apparaten och förstår riskerna.
2. Barn får inte leka med apparaten.
3. Rengöring och underhåll får inte utföras av barn såvida de inte är äldre än 8 år och övervakas.
4. Håll apparaten och dess strömkabel utom räckhåll för barn under 8 år.
5. Om strömkabeln är skadad måste den bytas ut av tillverkaren, dess servicerepresentant eller liknande kvalificerad person för att undvika fara.
6. Se avsnittet "rengöring och underhåll" i bruksanvisningen för instruktioner om hur man rengör ytor som kommit i kontakt med mat eller olja.
7. Denna apparat är inte avsedd för användning med en extern timer eller ett separat fjärrstyrningssystem.
8. Denna apparat är avsedd för användning i hushållet och liknande tillämpningar som t.ex.: Personalkök i butiker, kontor och andra arbetsmiljöer; bondgårdar; av kunder i hotell, motell och andra bostadsmiljöer; bed and breakfast-hotell.
9. Innan du ansluter strömkontakten till eluttaget, kontrollera att spänningen och frekvensen överensstämmer med specifikationerna på märkplåten.
10. Dra ut strömkontakten från eluttaget när apparaten inte används och före rengöring.
11. Om en förlängningskabel används måste den vara lämplig för apparatens strömförbrukning, annars kan överhettning av förlängningsskabeln och/eller strömkontakten inträffa. Det finns en eventuell risk för personskador om man snubblar över förlängningskabeln. Var noga med att undvika att skapa farliga situationer.
12. Säkerställ att strömkabeln inte hänger över någon skarp kant och håll den borta från varma föremål och öppen eld.
13. Sänk inte ner apparaten eller strömkontakten i vatten eller någon annan vätska. Det är livsfarligt på grund av elektriska stötar!
14. För att dra ut strömkontakten från eluttaget, dra ut den via strömkontakten. Dra inte i strömkabeln.
15. Vidrör inte apparaten om den faller ner i vatten. Dra ut strömkontakten från eluttaget, stäng av apparaten och lämna in den på ett auktoriserat servicecenter för reparation.
16. Du får inte koppla in eller dra ut apparaten från eluttaget med blöta händer.
17. Försök aldrig att öppna apparatens hölje eller reparera den själv. Det kan orsaka elektriska stötar.
18. Lämna aldrig apparaten oövervakad vid användning.
19. Denna apparat är inte utvecklad för kommersiell användning.
20. Använd inte apparaten för något annat ändamål än den är avsedd för.
21. Linda inte kabeln runt apparaten och undvik att böja den.
22. Placera apparaten på en stabil, jämn yta som den inte kan falla ner från.
23. Se till att produkten inte utsätts för mycket smuts och fukt.
24. Rengör själva produkten med en något fuktad trasa.

25. Använd inte maskinen utan tillsyn. Om du lämnar arbetsområdet, stäng alltid av maskinen eller dra ut strömkontakten från eluttaget (dra i själva kontakten, inte i kabeln).
26. Placera inte apparaten mot en vägg eller en annan apparat. Lämna ett fritt avstånd på minst 10 cm på baksidan, sidorna och ovanför apparaten.
27. Vid varmluftsfritering släpps het ånga ut genom luftutsläppen. Håll händer och ansikte på ett säkert avstånd från ångan och luftutsläppen. Var även uppmärksam på den heta ångan och luften när pannan tas ut ur apparaten.
28. Dra omedelbart ut apparatens strömkontakt ur eluttaget om det kommer mörk rök från apparaten. Vänta tills röken avtagit helt innan pannan tas ut ur apparaten.
29. Kontrollera alltid innan apparaten används att värmeelementet och omgivningen är ren och fri från matrester för att säkerställa en perfekt funktion.



30. **Varning, het yta.**
WARNING! Vidrör inte ytan vid användning. Temperaturen för åtkomliga ytor kan vara mycket hög när apparaten används.
31. Varm luft strömmar ut ur luftventilen på baksidan av apparaten. Var noga med att hålla ett tillräckligt avstånd till material, t.ex. glas, som är känsligt för värme.
32. Om du använder produkter med teflonyta, se till att inga fåglar är i samma rum och att rummet kan stängas igen helt och är väl ventilerat.
33. Ta alltid bort bakpapperet från korgen efter användning och innan/under förvärmning utan livsmedel.

BESKRIVNING AV DELAR

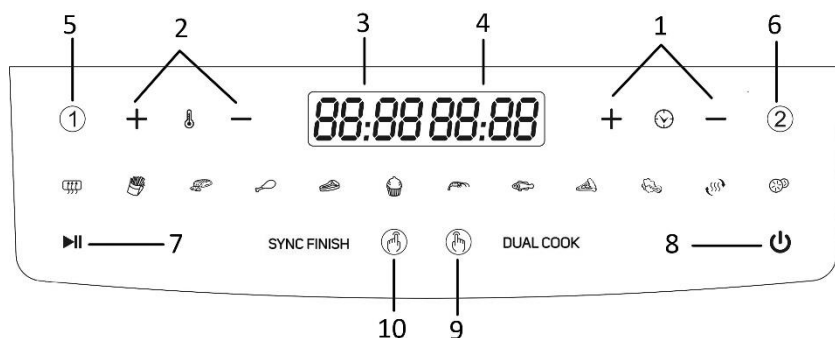


1. Luftintag
2. Kontrollpanel och display
3. Korg 1
4. Korg 2
5. Korghandtag
6. Stekgaller
7. Luftutsläpp
8. Förvaringsutrymme för strömkabel

Kontrollpanel och display

1. Timerreglage (tryck "+" eller "-" för att ändra tiden från 1 till 60 minuter)
2. Temperaturreglage (tryck "+" eller "-" för att ändra temperaturen från 50°C till 200°C)

3. Timer- och temperaturdisplay för korg 1
4. Timer- och temperaturdisplay för korg 2
5. Knapp 1 för korg 1
6. Knapp 2 för korg 2
7. Paus-/stoppknapp
8. Standby-/avbrytningsknapp
9. Knapp för bubbel tillagning
10. Synkroniserad avslutningsknapp



Menyknappar

meny	Standardtid (min)	Standardtemperatur (°C)
Förvärmning	3	180
Pommefrites	18	200
Kött	12	200
Kycklingklubba	20	200
Biff	12	180
Kaka	25	160
Räkor	8	180
Fisk	10	180
Pizza	20	180
Grönsaker	10	160
Återuppvärmning	15	150
Torka	360 (Inställbara tidsintervall: från 30 minuter till 24 timmar)	60



FÖRE ANVÄNDNING

Läs först igenom alla instruktioner före användning och spara bruksanvisningen för framtida bruk. Anslut endast apparaten till ett jordat eluttag. Ta bort allt förpackningsmaterial före första användning. Rengör korgarna och frytgrillarna. (Se "RENGÖRING OCH UNDERHÅLL"). Torka av apparatens in- och utsida med en mjuk trasa. Se till att de elektriska delarna alltid är torra. **Denna apparat värmer upp maten från alla håll och de flesta ingredienserna behöver ingen olja.**

Innan du använder apparaten första gången kör du den i ungefär 10 min för att bränna av tillverkningsrester. Se till att det är bra ventilation. Apparaten kan avge en del rök och en karakteristisk lukt när du slår på den första gången. Detta är normalt och slutar snart.

Obs! Använd alltid frytgrillen med silikonfötterna monterade. De hjälper till att stabilisera stekgallret under tillagning.

ANVÄNDNING

1. Placera apparaten på en torr, stabil och värmebeständig yta.
2. Eftersom apparaten blir het vid användning, säkerställ att den inte står för nära några andra föremål.
3. Dra ut korgen ur apparaten via korghandtaget. Placera stekgallret i korgen.
4. Placera ingredienserna i korgen (överskrid inte MAX-nivån som indikeras inuti korgen). Skjut in korgen i apparaten. Se till att de är monterade korrekt och ordentligt stängda.
Varning! Fyll inte korgen med olja eller någon annan vätska. Rör inte korgen under eller kort tid efter användning eftersom den blir mycket varm. Håll endast korgen via handtaget.
5. Anslut strömkontakten till ett lämpligt eluttag. Maskinen är nu i standbyläge. Tryck på standbyknappen , alla ikoner kommer att visas i kontrollpanelen.
6. Tryck på knapp 1, tryck sedan på menyknapparna för att välja tillagningsfunktion och ställ in tiden och temperaturen för korg 1, du kan trycka på "+" eller "-" för att ställa in tiden (1 minut/tryckning) och temperaturen (10 grader/tryckning). Du kan också trycka länge på "+" eller "-" för snabbinställning.
7. Tryck på knapp 2, tryck sedan på menyknapparna för att välja tillagningsfunktion och temperatur för korg 2.
8. Tryck länge på paus-/startknappen; apparaten börjar arbeta. Korgen med kortast arbetstid kommer att avsluta först.
9. När tillagningsprocessen är klar kommer apparaten att sluta arbeta med ett pipande ljud. Du kan också manuellt stänga av apparaten genom att trycka på knappen .
Under arbetet kan du trycka på pausknappen för att pausa programmet och tryck på den igen för att fortsätta programmet.
10. Dra ut korgen från apparaten med hjälp av korghandtagen. Kontrollera om ingredienserna är färdiga. Om inte, skjut tillbaka korgen in i apparaten. Välj meny för att ställa in temperaturen och timer för några extra minuter. Tryck sedan på paus-/startknappen för att starta apparaten igen. NOTERA: Du kan också dra ut korgen för att kontrollera och skaka ingredienserna under tillagningsprocessen.
11. För att ta bort ingredienser (t.ex. biff, kyckling, kött) i originalolja och samla upp överbliven olja i botten av korgen under stekning, använd tången för att plocka upp en ingrediens i taget.
För att ta bort ingredienser (t.ex. chips, grönsaker) utan överbliven olja i botten av korgen under tillagning, dra ut korgen och håll ut ingredienserna i en skål/tallrik.
Obs! Korgen och ingredienserna är varma efter tillagningen. Beroende på typen av ingredienser i apparaten kan ånga frigöras från dropplådan.
12. När tillagningen är klar är apparaten omedelbart redo för en ny omgång ingredienser om så önskas.


Synkroniserad avslutningsfunktion

- 1) Tryck på knappen "SYNC FINISH", ikonen blinkar.
- 2) Tryck på knapp 1 för att ställa in tillagningsprogrammet för korg 1;
- 3) tryck på knapp 2 för att ställa in ett tillagningsprogram för korg 2.
- 4) Tryck på paus-/startknappen, zonen med mer arbetstid kommer att starta först. Andra zonen med mindre arbetstid kommer att starta senare. Båda zonerna kommer att avsluta arbetet tillsammans.

Dubbel tillagningsfunktion

- 1) Tryck på knappen "DUAL COOK", tryck sedan på menyknapparna för att välja tillagningsfunktion och ställa in tiden och temperaturen för båda zonerna. De kommer att arbeta med samma program.
- 2) Tryck på paus-/startknappen; apparaten börjar arbeta.

Förvärmningsfunktion

Tryck på knapp  och tryck sedan på "+" eller "-" för att ställa in temperaturen (50 °C till 200 °C) och tiden (1 till 60 minuter) krävs för förvärmning.

Notera:

- 1) Menyknapparna, timer- och temperaturknapparna kan endast ställas in när knapp 1, knapp 2 eller dubbla tillagningsknappen blinkar.
- 2) För små mängder mat kan du tillaga med endast en korg. Välj ett program för den korgen och tryck sedan på paus-/startknappen.
- 3) Vid tillagning i båda zonerna kommer mer tillagningstid att behövas.

TILLAGNINGSTIPS

1. Den optimala mängden för krispiga pommes frites är 450-600 gram för varje korg.
2. Lägg på tre minuter på tillagningstiden när apparaten är kall, eller låt apparaten förvärmas i cirka 4 minuter utan ingredienser.
3. Vissa ingredienser kräver att de skakas om efter halva tillagningstiden. För att skaka om eller vända ingredienserna, dra ut korgen ur apparaten via handtaget och skaka eller vänd på ingredienserna med en gaffel (eller tång). Skjut sedan in korgen i apparaten igen.
4. Du kan också använda fritösen för att värma upp ingredienser. För att värma upp ingredienser igen, ställ temperaturen på 150°C i upp till 10 minuter.
5. Produkter med skorpa eller torra brödsmlor blir krispigare om de sprayas med lite vegetabilisk olja.
6. Placera en bakform eller en ugnform i korgen om du vill baka en kaka, paj eller andra ömtåliga ingredienser.
7. Tillaga inte extremt feta ingredienser som t.ex. korv i apparaten.

VARNING:

1. Sänk inte ner kåpan i vatten och skölj den inte under kranen.
2. Undvik att vätska kommer in i apparaten, för att förebygga elektriska stötar eller kortslutning.
3. Se till att alla ingredienser ligger i korgen för att undvika kontakt med uppvärmningselementen.
4. Täck inte över luftintaget och luftutsläppet när apparaten är igång. Lämna ett fritt utrymme på minst 10 cm runt och ovanför apparaten.
5. Fylla på korgen med olja kan utgöra en brandrisk!
6. Vidrör inte insidan på apparaten när den är i drift.
7. Var försiktig med den heta ångan och luften när du tar ut korgen ur apparaten.
8. Under användning släpps het ånga ut genom luftutsläppet. Håll händer och ansikte på säkert avstånd från ångan och luftutsläppet.
9. Stäng omedelbart av apparaten och dra ut strömkabeln ur eluttaget om mörk rök tränger ut från apparaten. Detta beror på att maten har friterats för länge eller att apparaten gått sönder.

FRITERINGSTABELL

Om instruktionerna på produktförpackningen avviker från värdena som visas i denna tabell, skall instruktionerna på förpackningen följas. Lägg till 3 minuter på förberedelsestiden innan du börjar fritera om apparaten är kall.

Ingrediens	Mängd per zon (g)	Temp. (°C)	Tid (min)		Extra information
			En enda zon	Dubbla zoner	
Morötter	450	200	13-16	25-30	Tillsätt 1 msk olja
Gröna bönor (haricots verts)	350	200	8-10	10-15	Tillsätt 1 msk olja
Svamp	250	200	7-9	13-15	Tillsätt 1 msk olja
Räkor	450	180	7-10	10-13	Tillsätt 1 msk olja
Kött	250	180	10-20	14-28	Borstade med olja
Pommes frites	450	200	15-22	28-32	
Kycklingbröst	300	200	22-24	25-28	Borstade med olja

Fläskkotletter	250	200	14-17	17-25	Borstade med olja
Kycklingnuggets	350	200	10-13	18-21	
Pizzarullar	550	200	12-15	15-18	
Lökringar	300	190	13-16	18-22	

RENGÖRING OCH UNDERHÅLL

1. Före hantering eller rengöring av apparaten, låt den svalna i ungefär 30 minuter. Rengör hela insidan och utsidan av apparaten regelbundet.
2. Rengör utsidan och insidan av apparaten med en fuktig trasa och torka med en mjuk, ren trasa.
3. Använd aldrig frätande rengöringsmedel och inte svampar som river.
4. Dra ut korgen för att apparaten ska svalna snabbare. Rengör korgen och friteringsgallret i hett vatten med diskmedel och en icke-slipande svamp. Låt torka väl före användning.
5. Rengör värmeelementet inuti höljet (syns efter att korgen dragits ut) med en rengöringsborste för att ta bort eventuella matrester.

Notera: Korgarna och frityrgallern är diskmaskinssäkra.

FELSÖKNING

Problem	Möjlig orsak	Lösning
Apparaten fungerar inte.	Apparaten är inte inkopplad.	Sätt i kontakten i ett jordat uttag.
	Du har inte tryckt på paus-/startknappen för att slå på maskinen.	Tryck på knappen för att slå på apparaten.
Ingredienserna är inte tillräckligt tillagade.	Mängden mat i korgen är alltför stor.	Lägg mindre mängd mat i korgen. Mindre mängder tillagas jämnare.
	Temperaturen är för låg eller tiden inte tillräcklig.	Tryck på ”+” för att justera temperaturen eller lägg till extra tillagningstid.
Ingredienserna tillagas ojämnt.	Olika typer av livsmedel kan behöva skakas om efter halva tillagningstiden.	Skaka om efter halva tillagningstiden
Friterade snacks är inte krispiga	Du har använt en typ av snacks, som ska lagas till i traditionell fritös.	Använd ugnssnacks eller pensla tunt med olja på snacksen för ett krispigare resultat.
Det kommer ut vit rök ur apparaten.	Du tillagar feta ingredienser.	När du friterar ingredienser kommer olja att läcka ner i dropplådan. Oljan alstrar vit rök och dropplådan kan värmas upp. Detta påverkar inte tillagningsresultatet och skadar inte apparaten.
	Dropplådan innehåller fortfarande fettrester från tidigare användning.	Rengör dropplådan ordentligt efter varje användning.
Färska frites är ojämnt friterade	Du har inte använt rätt typ av potatis.	Använd färska potatisar och se till att de förblir fasta under friteringen.
	Du har inte sköljt potatisstavarna ordentligt före friteringen.	Skölj potatisstavarna ordentligt för att få bort stärkelsen från utsidan av stavarna.
Färska frites är inte krispiga	Friteskrispigheten är beroende av mängden olja och vatten de innehåller	Se till att potatisstavarna torkats ordentligt innan oljan tillsätts.
		Skär potatisstavarna mindre för ett krispigare resultat
		Tillsätt aningen mer olja för ett krispigare resultat

TEKNISKA DATA

Driftsspänning: 230V ~ 50Hz-60Hz

Strömförbrukning: 2400W

GARANTI OCH KUNDTJÄNST

Innan leverans genomgår våra apparater en sträng kvalitetskontroll. Om trots detta någon skada skulle uppstått vid produktionen eller vid transporten, ber vi dig att ta med apparaten tillbaka till inköpsstället.

För den köpta apparaten ges 2 års garanti, med början på inköpsdagen. Om du har en defekt produkt, kan du vända dig direkt till inköpsstället.

Brister som uppstår genom icke fackmässig behandling av apparaten och fel som uppstår genom ingrepp och reparationer av tredje man eller montering av främmande delar, omfattas ej av vår garanti. Behåll alltid ditt kvitto. Utan kvitto kan du inte begära någon som helst garanti. Skador som uppstår p.g.a. att instruktionsmanualen inte följs ogiltigförklarar garantin och om detta leder till påföljande skador så kan inte vi hållas ansvariga. Vi kan inte hållas ansvariga för materiella skador eller personskador som orsakas av felaktig användning eller om inte säkerhetsföreskrifterna följs. Skador på tillbehören innebär inte per automatik ersättning av hela apparaten. I sådana fall ska du kontakta vår kundservice. Trasigt glas och trasiga plastdelar innebär alltid en kostnad. Defekter på förbrukningsartiklar eller slitdelar och även skador orsakade av rengöring, underhåll eller byte av tidigare nämnda delar täcks inte av garantin och ska således betalas av ägaren.



Den överkorsade soptunnan betyder att denna produkt inte skall kastas i de vanliga hushållssoporna. Elektronisk och elektrisk utrustning som inte källsorteras utgör en potentiell risk för miljön och människors hälsa på grund av att de innehåller farliga substanser. Avyttra på ett ansvarsfullt sätt och lämna till en godkänd återvinningsanläggning.

Gebruiksaanwijzing – Dutch

VEILIGHEIDSVOORSCHRIFTEN

Voor gebruik dient u alle onderstaande instructies te lezen om letsel en schade te voorkomen en om de beste resultaten met het apparaat te bereiken. Bewaar deze handleiding op een veilige plek. Mocht u dit apparaat aan iemand anders overhandigen, dient u ook de gebruiksaanwijzing te overhandigen.

In geval van schade die wordt veroorzaakt doordat de gebruiker de instructies in deze gebruiksaanwijzing niet in acht heeft genomen, komt de garantie te vervallen. De fabrikant/importeur is niet aansprakelijk voor schade die wordt veroorzaakt door het niet in acht nemen van de gebruiksaanwijzing, door nalatig gebruik of gebruik dat niet in overeenstemming is met de bepalingen van deze gebruiksaanwijzing.

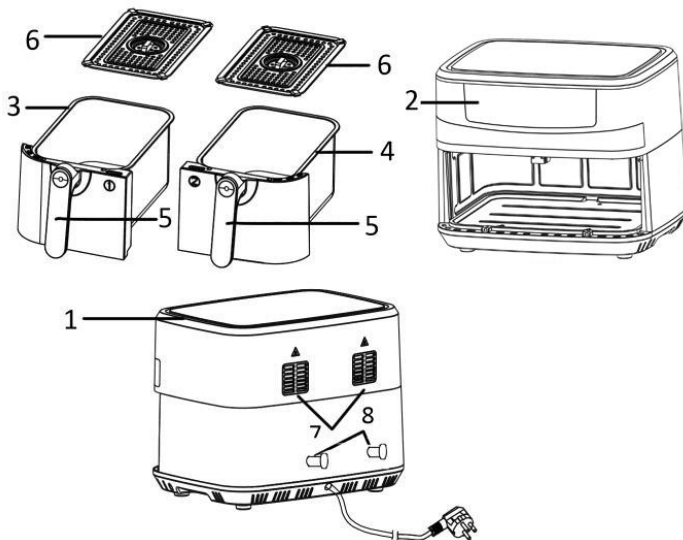
1. Dit apparaat mag worden gebruikt door kinderen vanaf 8 jaar en personen met beperkte fysieke, visuele of mentale vaardigheden, of die een gebrek aan ervaring en kennis hebben, indien ze gepaste instructies hebben gekregen zodat ze het apparaat op een veilige manier kunnen gebruiken, op de hoogte zijn van de gevaren die het gebruik van het apparaat met zich meebrengt en deze gevaren begrijpen.
2. Laat kinderen niet met het apparaat spelen.
3. Laat het reinigen en het onderhoud van het apparaat niet uitvoeren door kinderen tenzij ze ouder zijn dan 8 jaar en onder toezicht staan.
4. Houd het apparaat en snoer buiten het bereik van kinderen jonger dan 8 jaar.
5. Als het snoer is beschadigd, moet het worden vervangen door de fabrikant, zijn klantenservice of gelijksoortig geschoolde personen om gevaar te vermijden.
6. Met het oog op de instructies voor de reiniging van de oppervlakken die in contact kunnen komen met voedsel of olie, dient u de instructies in de paragraaf "Reiniging en onderhoud" van de gebruiksaanwijzing in acht te nemen.
7. Dit apparaat is niet bestemd voor gebruik door middel van een externe timer of een afzonderlijk op afstand bestuurd systeem.
8. Dit apparaat is bestemd voor het gebruik in huishoudens en soortgelijke toepassingen zoals: personeelskeukens in winkels, kantoren of werkplekken; boerderijen; door gasten in hotels, motels en andere types van huisvesting; bed and breakfasts en vergelijkbare instellingen.
9. Voordat u de stekker in het stopcontact steekt, dient u te controleren of de stroom en de frequentie overeen komen met de specificaties van het typeplaatje.
10. Trek de stekker uit het stopcontact als het apparaat niet in gebruik is en voordat u het apparaat reinigt.
11. Als u gebruik maakt van een verlengkabel, dient dit geschikt te zijn voor het stroomverbruik van het apparaat, anders kan oververhitting van de verlengkabel en/of stekker het gevolg zijn. Er is risico op letsel door het struikelen over het verlengsnoer. Wees voorzichtig om gevaarlijke situaties te vermijden.
12. Let op dat de stroomkabel niet over scherpe randen hangt en niet in de buurt komt van hete voorwerpen en open vuur.
13. Dompel het apparaat of de stekker niet onder in water of andere vloeistoffen. Er bestaat levensgevaar als gevolg van een elektrische schok!
14. Om de stekker uit het stopcontact te halen, dient u aan de stekker zelf te trekken. Trek niet aan de stroomkabel.
15. Raak het apparaat niet aan als het in water is gevallen. Trek de stekker uit het stopcontact, schakel het apparaat uit en breng het ter reparatie naar een geautoriseerd servicecenter.
16. Steek de stekker niet in het stopcontact en haal hem er niet uit als u natte handen heeft.
17. Probeer nooit de behuizing van het apparaat te openen en probeer nooit zelf het apparaat te repareren. Dit kan een elektrische schok veroorzaken.
18. Laat het apparaat nooit onbeheerd achter wanneer het in gebruik is.
19. Dit apparaat werd niet ontworpen voor commercieel gebruik.
20. Gebruik het apparaat niet voor andere doeleinden dan het beoogde doel.
21. Draai de kabel niet om het apparaat en buig hem niet.
22. Plaats het apparaat op een stabiele, vlakke ondergrond waar het niet vanaf kan vallen.
23. Voorkom dat het product wordt blootgesteld aan excessieve verontreiniging en vocht.

24. Reinig het product zelf met een licht bevochtigde doek.
25. Gebruik de machine niet zonder toezicht. Als u de werkplek verlaat, dient u de machine altijd uit te schakelen of de stekker uit het stopcontact te trekken (trek aan de stekker zelf, niet aan de kabel).
26. Plaats het apparaat niet tegen een muur of tegen een ander apparaat. Laat minstens 10 cm ruimte aan de achterkant, de zijkanten en boven het apparaat vrij.
27. Tijdens het frituren met hete lucht komt er hete stoom uit de ventilatieopeningen. Houd uw handen en gezicht op een veilige afstand van de stoom en van de ventilatieopeningen. Let bovendien ook op hete stoom en lucht als u de pan uit het apparaat haalt.
28. Trek de stekker direct uit het stopcontact als u ziet dat donkere rook uit het apparaat ontsnapt. Wacht totdat de rook is opgelost en verwijder dan de pan uit het apparaat.
29. Zorg dat het verwarmingselement en de aangrenzende delen voor elk gebruik schoon en vrij van etensresten zijn om een perfecte werking te waarborgen.



30. **Opgelet, heet oppervlak.**
WAARSCHUWING!! Raak het oppervlak niet aan tijdens het gebruik. De temperatuur van de toegankelijke oppervlakken kan hoog oplopen als het apparaat in werking is.
31. Hete lucht komt uit de ventilatie opening aan de achterkant van het apparaat. Zorg voor voldoende ruimte tot materialen die gevoelig zijn voor warmte, zoals glas.
32. Als u producten met een antiaanbaklaag gebruikt, dient u ervoor te zorgen dat zich geen vogels in dezelfde ruimte bevinden en dat de ruimte compleet kan worden gesloten en goed geventileerd wordt.
33. Haal bakpapier altijd uit het mandje na gebruik en tijdens het voorverwarmen zonder voedsel.

OMSCHRIJVING ONDERDELEN

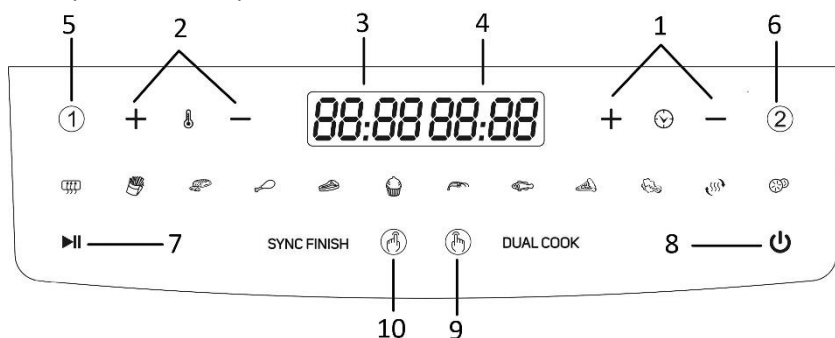


1. Luchtinlaat
2. Bedieningspaneel en scherm
3. Mandje 1
4. Mandje 2
5. Handvat mandje
6. Bakrooster
7. Luchtuitlaat
8. Snoeropslag

Bedieningspaneel en scherm

1. Timer (Druk op "+" of "-" om de tijd in te stellen van 1 tot 60 minuten)
2. Temperatuurregeling (Druk op "+" of "-" om de temperatuur in te stellen van 50°C tot 200°C)
3. Tijd- en temperatuurweergave voor mand 1

4. Tijd- en temperatuurweergave voor mand 2
5. Knop 1 voor mand 1
6. Knop 2 voor mand 2
7. Pauze/start-knop
8. Stand-by/annuleren-knop
9. Dual cook-knop
10. Sync finish-knop



Menuknoppen

menu	Standaard tijd (min)	Standaard temperatuur (°C)
Voorverwarmen	3	180
Friet	18	200
Vlees	12	200
Kippenbouten	20	200
Steak	12	180
Cake	25	160
Garmaal	8	180
Vis	10	180
Pizza	20	180
Groente	10	160
Opwarmen	15	150
Dehydrateren	360 (Instelbare tijd: 0,5 uur tot 24 uur)	60

VOOR GEBRUIK

Lees alle aanwijzingen voordat u het apparaat gaat gebruiken en bewaar deze om later nog eens na te kunnen kijken. Steek de stekker alleen in een geaard stopcontact. Voor het eerste gebruik dient u de verpakkingsmaterialen te verwijderen. Reinig de manden en de bakroosters. (Zie "Reinigen en onderhoud") Veeg de binnen- en buitenkant van het apparaat schoon met een zachte doek. Zorg dat de elektrische onderdelen droog blijven. **Dit apparaat verhit voedsel rondom en de meeste ingrediënten hebben geen olie nodig.**

Zet het apparaat de eerste keer ongeveer 10 minuten aan om de achtergebleven restanten van de productie weg te branden. Zorg voor goede ventilatie. Het apparaat kan wat rook en een karakteristieke geur afscheiden als u het voor de eerste keer aanzet. Dit is normaal en zal snel ophouden.

Opmerking: Gebruik het bakrooster altijd met de siliconen voetjes bevestigd. Dit zorgt voor een stabiele positie van het bakrooster in de mand tijdens het bakproces.

GEBRUIK

1. Plaats het apparaat op een droog, stabiel en hittebestendig oppervlak.
2. Omdat het apparaat heet wordt tijdens het gebruik, dient u ervoor te zorgen dat het niet te dicht bij andere objecten staat.
3. Trek de mand uit het apparaat met behulp van de handgreep. Plaats het bakrooster in de mand.
4. Plaats de ingrediënten in het mandje. (Ga niet over de MAX markering in het mandje heen.) Schuif de mand in het apparaat. Zorg dat ze correct geplaatst en volledig gesloten zijn.
Voorzichtig: Vul het mandje niet met olie of een andere vloeistof. Raak de mand tijdens en kort na gebruik niet aan, ze wordt zeer warm. Houd de pan alleen bij de handgreep vast.
5. Steek de stekker in een gepast stopcontact. Het apparaat staat nu in stand-by. Druk op de stand-byknop "⏻" en alle pictogrammen worden in het bedieningspaneel weergegeven.
6. Druk op de knop 1 en druk vervolgens op de menuknoppen om de bakfunctie te kiezen en de tijd en temperatuur voor mand 1 aan te passen. Druk op "+" of "-" om de tijd (1 minuut per druk) en de temperatuur (10 graden per druk) aan te passen. U kunt tevens lang op "+" of "-" drukken om de instelling snel te doorlopen.
7. Druk op de knop 2, druk vervolgens op de menuknoppen om de bakfunctie te kiezen en pas de tijd en temperatuur voor mand 2 aan.
8. Druk op de pauze/start-knop en het apparaat treedt in werking. De mand met de kortste werkingstijd zal eerst eindigen.
9. Wanneer het bakproces beëindigd is, stopt het apparaat met werken en hoort u een geluidssignaal. U kunt het apparaat tevens handmatig uitschakelen door op de knop "⏻" te drukken.
U kunt tijdens de werking op de pauze-knop drukken om het programma te pauzeren. Druk opnieuw om het programma te hervatten.
10. Trek de mand uit het apparaat met behulp van de handgreep. Controleer of de ingrediënten gaar zijn. Als dit niet het geval is, schuif de mand opnieuw in het apparaat. Selecteer het menu om de temperatuur in te stellen en de timer op enkele extra minuten te zetten. Druk dan op de pauze/start-knop om het apparaat opnieuw in te schakelen. OPMERKING: U kunt de mand tijdens het bakproces tevens uittrekken en de ingrediënten schudden.
11. Om ingrediënten (bijv. rundvlees, kip, vlees) die olie bevatten, en waarvan de overtollige olie in de bodem van de mand wordt opgevangen, uit te halen, gebruik een tang om de ingrediënten één voor één te verwijderen.
Om ingrediënten (bijv. friet, groente) zonder overtollige olie in de bodem van de mand, uit te halen, trek de mand uit en breng de ingrediënten over naar een schaal.
Let op: De mand en de ingrediënten zijn heet na het bakproces. Afhankelijk van het soort ingrediënten dat u gebruikt, kan er stoom uit de pan ontsnappen.
12. Als de bereidingstijd voorbij is, is het apparaat meteen gereed voor het bereiden van een volgende portie als dit nodig is.


Sync finish-functie

- 1) Druk op de "SYNC FINISH"-knop en het pictogram knippert.
- 2) Druk op de knop 1 om een bakprogramma voor mand 1 in te stellen;
- 3) Druk op de knop 2 om een bakprogramma voor mand 2 in te stellen.
- 4) Druk op de pauze/start-knop en de zone met de langste werkingstijd zal als eerste starten. De andere zone met de kortere werkingstijd zal later starten. Beide zones zullen op hetzelfde moment eindigen.

Dual cook-functie

- 1) Druk op de "DUAL COOK"-knop, druk vervolgens op de menuknoppen om de bakfunctie te kiezen en pas de tijd en temperatuur voor beide zones aan. Ze zullen in hetzelfde programma werken.
- 2) Druk op de pauze/start-knop en het apparaat treedt in werking.

Voorverwarmen-functie

Druk op de knop “” en druk dan op “+” of “-” om de temperatuur (50°C tot 200°C) en tijd (1 tot 60 minuten) nodig voor het voorverwarmen aan te passen.

Opmerking:

- 1) De menuknoppen, timer- en temperatuurknoppen kunnen alleen worden aangepast wanneer knop 1, knop 2 of de dual cook-knop knippert.
- 2) Voor kleine hoeveelheden voedsel, kunt u slechts met één mand koken. Selecteer een programma voor de mand en druk vervolgens op de pauze/start-knop.
- 3) Een langere kooktijd is nodig wanneer in beide zones wordt gekookt.

FRITUURTIPS

1. De optimale hoeveelheid voor het bakken van friet is 450-600 gram per mand.
2. Voeg 3 extra minuten aan de bereidingstijd toe wanneer het apparaat koud is of laat het apparaat circa 4 minuten voorverwarmen zonder ingrediënten in het apparaat.
3. Het is nodig om bepaalde ingrediënten aan de helft van de bereidingstijd te schudden. Om de levensmiddelen te schudden of om te draaien, trek de mand via de handgreep uit het apparaat en schud de mand of draai de ingrediënten om met een vork (of tang). Schuif de mand vervolgens opnieuw in het apparaat.
4. U kunt de smart fryer ook gebruiken voor het opnieuw verwarmen van ingrediënten. Voor het opnieuw verwarmen, stel de temperatuur in op 150 °C gedurende 10 minuten.
5. Producten met een korst of paneerlaag worden knapperiger als u deze eerst licht inspuist met wat plantaardige olie.
6. Plaats een bakvorm of een ovenschaal in het apparaat, als u een cake, quiche of ander gevoelig gerecht wilt bakken.
7. Bak geen extreem vette ingrediënten, zoals worst, in het apparaat.

VOORZICHTIG:

1. Dompel het apparaat nooit onder in water en spoel het niet af onder de kraan.
2. Voorkom dat er vloeistof het apparaat binnen kan dringen om elektrische schokken of kortsluiting te voorkomen.
3. Houd alle ingrediënten in het mandje om contact met de verwarmingselementen te voorkomen.
4. Dek de luchtinlaat en -uitlaat niet af als het apparaat in werking is. Laat een vrije ruimte van minstens 10 cm rond en boven het apparaat.
5. Het vullen van de mand met olie kan brandgevaar opleveren!
6. Raak de binnenkant van het apparaat niet aan wanneer in werking.
7. Kijk uit voor de hete lucht en stoom wanneer u het mandje uit het apparaat haalt.
8. Tijdens de bereiding komt er hete stoom uit de luchtuitlaat. Houd uw handen en gezicht op veilige afstand van de stoom en de luchtuitlaat.
9. Schakel het apparaat onmiddellijk uit en haal de stekker uit het stopcontact als donkere rook wordt afgegeven. Dit betekent dat het voedsel te veel is gekookt of het apparaat defect is.

FRITUURTABEL

Als de aanwijzingen op de verpakking van het product verschillen van de waarden die in deze tabel zijn vermeld, volg dan de aanwijzingen op de verpakking. Voeg 3 extra minuten aan de bereidingstijd toe alvorens te frituren wanneer het apparaat koud is.

Ingrediënt	Hoeveelheid per zone (g)	Temp. (°C)	Tijd (minuten)		Extra informatie
			Eén zone	Twee zones	
Wortelen	450	200	13-16	25-30	Voeg 1 el olie toe
Groene bonen	350	200	8-10	10-15	Voeg 1 el olie toe
Champignons	250	200	7-9	13-15	Voeg 1 el olie toe

Garnaal	450	180	7-10	10-13	Voeg 1 el olie toe
Steak	250	180	10-20	14-28	Borstel met olie
Friet	450	200	15-22	28-32	
Kipfilet	300	200	22-24	25-28	Borstel met olie
Varkenskotelet	250	200	14-17	17-25	Borstel met olie
Kipnuggets	350	200	10-13	18-21	
Pizzabroodjes	550	200	12-15	15-18	
Uienringen	300	190	13-16	18-22	

REINIGEN EN ONDERHOUD

- Voordat u het apparaat aanpakt of gaat reinigen, dient u het ongeveer 30 minuten af te laten koelen. Reinig het apparaat zowel aan de binnen- als buitenkant grondig.
- Reinig de binnen- en buitenkant van het apparaat met een vochtige doek en droog deze weer met een schone, zachte doek.
- Gebruik nooit schurende middelen of sponzen.
- Verwijder de mand om het apparaat sneller te laten afkoelen. Reinig de manden en de bakroosters in heet water met afwasmiddel en een niet-schurende spons. Veeg grondig droog voor gebruik.
- Maak het verwarmingselement binnenin de behuizing schoon (na het uittrekken van de mand) met een schoonmaakborstel om eventuele etensresten te verwijderen.

Opmerking: De manden en bakroosters zijn vaatwasmachinebestendig.

PROBLEEM OPLOSSINGEN

Probleem	Mogelijke oorza(a)k(en)	Oplossing
Het apparaat werkt niet.	De stekker zit niet in het stopcontact.	Steek de stekker in een geaard stopcontact.
	De pauze/start-knop werd niet ingedrukt om het apparaat in te schakelen.	Druk op de knop om het apparaat in te schakelen.
De ingrediënten zijn niet volledig gebakken.	De hoeveelheid voedsel in de mand is te groot.	Doe minder ingrediënten tegelijk in het mandje. Kleinere hoeveelheden bakken gelijkmatiger.
	De temperatuur is te laag of de ingestelde tijd is te kort.	Druk op “+” om de temperatuur aan te passen tot de gewenste temperatuur of maak de bereidingstijd iets langer.
De ingrediënten zijn niet gelijkmatig gebakken.	Voor verschillende soorten voedsel kan het noodzakelijk zijn deze halverwege de bereidingstijd om te schudden.	Schud het voedsel om halverwege de bereidingstijd.
De gefrituurde snacks zijn niet knapperig	U heeft een soort snack uitgekozen die alleen op een traditionele manier gefrituurd kan worden.	Gebruik snacks voor de oven of doe een beetje olie op de snacks voor een knapperiger resultaat.
Er komt witte rook uit het apparaat.	U bereidt vette ingrediënten.	Wanneer u vette ingrediënten frituurt, zal er olie in de pan lekken. De olie produceert witte rook en de pan kan heet worden. Dit heeft geen gevolgen voor het bereidingsresultaat of voor het apparaat.
	De pan bevat vetrestanten van eerder gebruik.	Reinig de pan grondig na ieder gebruik.

Verse frietjes zijn onregelmatig gefrituurd	U heeft niet het juiste type aardappel gebruikt.	Gebruik verse aardappels en zorg ervoor dat ze niet hun vorm verliezen voor het frituren.
	U heeft de aardappelsticks niet goed gereinigd alvorens ze te frituren.	Reinig de aardappelsticks fatsoenlijk om het zetmeel aan de buitenkant van de sticks te verwijderen.
Verse frietjes zijn niet knapperig	De knapperigheid van de frietjes is afhankelijk van de hoeveelheid olie en water in de frietjes	Zorg ervoor dat de sticks goed afgedroogd zijn alvorens olie toe te voegen.
		Snijd de aardappelsticks smaller voor een knapperiger resultaat.
		Voeg beetje bij beetje meer olie toe voor een knapperiger resultaat.

TECHNISCHE GEGEVENS

Bedrijfsspanning: 230V~ 50Hz-60Hz

Vermogen: 2400W

GARANTIE EN KLANTENSERVICE

Vóór de levering worden onze apparaten streng gecontroleerd. Indien het toestel ondanks alle zorg bij de productie of tijdens het transport beschadigd werd, moet u het naar de handelaar terugbrengen.

Wij geven een garantie van 2 jaar op het toestel, te beginnen met de koopdatum. Indien u een defect product heeft, kunt u rechtstreeks terug gaan naar het aankooppunt.

Gebreken die het gevolg zijn van ondeskundig gebruik van het toestel, fouten tijdens ingrepen en reparaties door derden of door de inbouw van vreemde onderdelen, vallen niet onder deze garantie. Bewaar altijd uw aankoopnota, zonder aankoopnota kunt u geen aanspraak maken op enige vorm van garantie. Bij schade veroorzaakt door het niet opvolgen van de gebruiksaanwijzing vervalt het recht op garantie. Voor vervolgschade die hieruit ontstaat kunnen wij niet verantwoordelijk gehouden worden. Voor materiële schade of persoonlijk letsel veroorzaakt door ondeskundig gebruik of het niet opvolgen van de veiligheidsvoorschriften zijn wij niet aansprakelijk. In dergelijke gevallen vervalt iedere aanspraak op garantie. Schade aan accessoires of onderdelen betekend niet dat het gehele apparaat zal worden vervangen. Afgebroken glazen of kunststof onderdelen of accessoires vallen niet onder de garantie en zullen tegen vergoeding vervangen kunnen worden. Defecten aan hulpstukken of aan slijtage onderhevige onderdelen, alsmede reiniging, onderhoud of de vervanging van slijtende delen vallen niet onder de garantie en zullen dus in rekening gebracht worden.



Het symbool van de doorgekruiste vuilniscontainer betekent dat dit product niet met het gewone huisvuil mag worden weggegooid. Elektronische en elektrische apparatuur die niet is opgenomen in het selectieve afvalsorteringsproces is potentieel gevaarlijk voor het milieu en de menselijke gezondheid vanwege de aanwezigheid van gevaarlijke stoffen. Voer deze op verantwoorde wijze af bij een erkend afvalverwerkings- of recyclingbedrijf.

TURVALLISUUSOHJEET

Varmista ennen käyttöä, että olet lukenut kaikki alla olevat ohjeet henkilövahinkojen ja vaurioiden välttämiseksi ja parhaiden tulosten saamiseksi laitteesta. Säilytä tämä käyttöopas turvallisessa paikassa. Jos annat tai siirrät laitteen jollekin muulle, anna tämä käyttöopas laitteen mukana.

Takuu ei korvaa vahinkoja, jotka aiheutuvat näiden käyttöohjeiden noudattamatta jättämisestä. Valmistaja/maahantuoja ei vastaa vaurioista, jotka aiheutuvat käyttöohjeiden noudattamatta jättämisestä, huolimattomasta käytöstä tai tämä käyttöoppaan vaatimusten vastaisesta käytöstä.

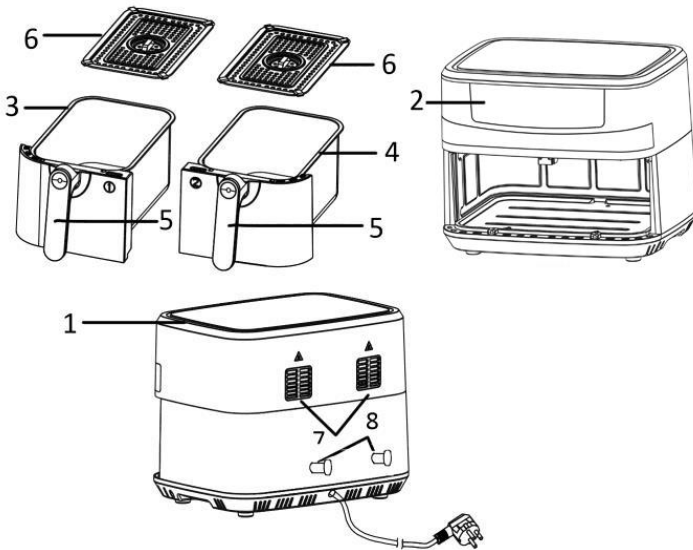
1. Laitetta saavat käyttää yli 8-vuotiaat lapset ja henkilöt, joiden fyysinen, aistinvarainen tai henkinen toimintakyky on rajoittunut tai joilla ei ole tarvittavaa kokemusta ja tietoa laitteen käytöstä, jos heitä valvotaan tai opastetaan laitteen turvalliseen käyttöön, ja he ymmärtävät käyttöön liittyvät vaarat.
2. Lapset eivät saa leikkiä laitteella.
3. Lapset eivät saa puhdistaa tai tehdä kunnossapitoa, jos he eivät ole yli 8-vuotiaita ja valvonnan alla.
4. Pidä laite ja sen virtajohto alle 8-vuotiaiden lasten ulottumattomissa.
5. Jos virtajohto on vaurioitunut, se täytyy viedä vaihdettavaksi valmistajalle, sen valtuuttamaan huoltoliikkeeseen tai vastaavalle ammattitaitoiselle henkilölle vaarojen välttämiseksi.
6. Lisätietoa ruoan tai öljyn kanssa kosketuksiin joutuvien pintojen puhdistamisesta on käyttöoppaan luvussa ”Puhdistaminen ja kunnossapito”.
7. Tämä laite ei ole tarkoitettu käytettäväksi ulkoisen ajastimen tai erillisen kauko-ohjausjärjestelmän kanssa.
8. Tämä laite on tarkoitettu vain kotikäyttöön ja vastaaviin käyttöihin, kuten: henkilöstökeittiöt kaupoissa, toimistoissa ja muissa työympäristöissä; maatilat; hotellien, motellien ja muiden asuntolatyyppisten tilojen asiakastilat; bed and breakfast -tyyppiset ympäristöt.
9. Varmista ennen laitteen pistokkeen liittämistä pistorasiaan, että jännite ja taajuus vastaavat arvokilven tietoja.
10. Irrota pistoke pistorasiasta, jos laitetta ei käytetä sekä ennen puhdistamista.
11. Jos käytetään jatkojohtoa, sen on sovelluttava laitteen virrankulutukseen, muuten jatkojohto ja/tai pistoke voivat ylikuumentua. Jatkojohtoon kompastuminen saattaa aiheuttaa loukkaantumisen. Ole varovainen välttääksesi vaaralliset tilanteet.
12. Varmista, ettei virtajohto roiku terävien reunojen yli ja pidä se etäällä kuumista pinnoista ja avotulesta.
13. Älä upota laitetta tai pistoketta veteen tai mihinkään nesteeseen. Sähköisku aiheuttaa hengenvaaran!
14. Irrota pistoke pistorasiasta pistokkeesta vetämällä. Älä vedä virtajohdosta.
15. Älä koske laitteeseen, jos se putoaa veteen. Irrota pistoke pistorasiasta, kytke laite pois päältä ja lähetä korjattavaksi valtuutettuun huoltoliikkeeseen.
16. Älä kytke pistoketta pistorasiaan tai irrota sitä pistorasiasta märin käsin.
17. Älä koskaan yritä avata laitteen koteloa tai korjata laitetta itse. Tämä saattaa aiheuttaa sähköiskun.
18. Älä koskaan jätä laitetta ilman valvontaa käytön aikana.
19. Tätä laitetta ei ole suunniteltu ammattikäyttöön.
20. Älä käytä laitetta mihinkään muuhun kuin mihin se on tarkoitettu.
21. Älä kierrä johtoa laitteen ympärille, äläkä taivuttele sitä.
22. Aseta laite vakaalle, tasaiselle pinnalle, josta se ei voi pudota.
23. Estä tuotteen altistuminen liialliselle liialle ja kosteudelle.
24. Puhdista itse laite hieman kostealla liinalla.
25. Älä käytä konetta ilman valvontaa. Jos sinun täytyy poistua työpaikalta, kytke kone pois päältä ja irrota pistoke pistorasiasta (vedä itse pistokkeesta, älä johdosta).
26. Älä aseta laitetta seinää tai toista laitetta vasten. Jätä vähintään 10 cm:n vapaa tila laitteen taakse, sivuille ja yläpuolelle.
27. Kuumaa höyryä tulee ilman poistoaukkojen kautta kuumalla ilmalla friteerauksen aikana. Pidä kädet ja kasvot turvallisella etäisyydellä höyrystä ja ilman poistoaukoista. Varo kuumaa höyryä ja ilmaa myös, kun poistat pannun laitteesta.

28. Irrota laite heti pistorasiasta, jos laitteesta tulee tummaa savua. Odota savun loppumista ennen kuin poistat pannun laitteesta.
29. Varmista ennen jokaista käyttökertaa, että lämpöelementti ja sen ympäristö ovat puhtaat eikä niissä ole ruoanjäämiä. Tällä tavalla varmistat moitteettoman toiminnan.



30. **Huomio, kuuma pinta**
VAROITUS!! Älä koske kuumiin pintoihin käytön aikana. Kosketuspintojen lämpötila voi olla korkea laitteen toimiessa.
31. Kuumaa ilmaa tulee laitteen takana olevasta tuuletusaukosta. Varmista, että pidät riittävän etäisyyden lämmölle herkkiin materiaaleihin, kuten lasiin.
32. Jos käytät tarttumattomalla pinnoitteella varustettuja tuotteita, varmista, ettei samassa huoneessa ole lintuja, ja että huone saadaan suljettua ja siellä on hyvä ilmanvaihto.
33. Poista leivinpaperi aina korista käytön jälkeen ja ennen esilämmitystä tai esilämmityksen aikana ilman ruokaa.

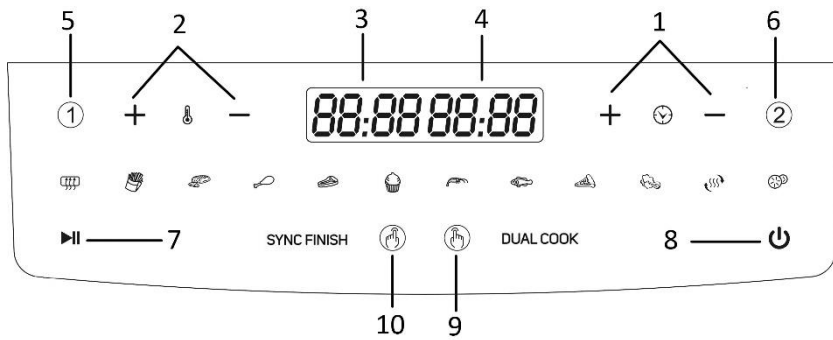
OSALUETTELO



1. Ilmanotto
2. Käyttöpaneeli ja näyttö
3. Kori 1
4. Kori 2
5. Korin kahva
6. Friteerausritilä
7. Ilmanpoisto
8. Virtajohdon säilytyspaikka

Käyttöpaneeli ja näyttö

1. Ajastimen säätäminen (painamalla "+" tai "-" säädät ajan 1–60 minuuttiin)
2. Lämpötilan säätäminen (painamalla "+" tai "-" säädät lämpötilaksi 50–200 °C)
3. Ajastin- ja lämpötilänäyttö korille 1
4. Ajastin- ja lämpötilänäyttö korille 2
5. Painike 1 korille 1
6. Painike 2 korille 2
7. Tauko-/käynnistyspainike
8. Valmiustila-/peruutuspainike
9. Dual cook -painike
10. Synkronoitu viimeistelytoiminto -painike



Valikkopainikkeet

valikko	Oletusaika (min)	Oletuslämpötila (°C)
Esilämmitys	3	180
Ranskalaiset perunat	18	200
Liha	12	200
Kanankoivet	20	200
Pihvi	12	180
Kakku	25	160
Katkaravut	8	180
Kala	10	180
Pizza	20	180
Vihannekset	10	160
Uudelleenlämmitys	15	150
Kuivattaminen	360 (Säädettävä aika: 0,5 tunnista 24 tuntiin)	60

ENNEN KÄYTTÖÄ

Lue kaikki ohjeet ennen käyttöä ja säilytä käyttöopas tulevia tarpeita varten. Kytke laite vain maadoitettuun pistorasiaan. Poista pakkausmateriaalit ennen ensimmäistä käyttökertaa. Puhdista kori ja friteerausritilä. (Katso "PUHDISTUS JA KUNNOSSAPITO") Pyyhi laite sisäpuolelta ja ulkopuolelta pehmeällä liinalla. Varmista, että sähköosat pysyvät kuivina. **Tämä laite kuumentaa ruoan joka puolelta, ja useimpien ruokien kypsennys ei vaadi öljyä.**

Anna laitteen käydä noin 10 minuuttia ennen ensimmäistä käyttökertaa, jotta tuotantojäämät palavat pois. Varmista, että tilassa on hyvä ilmanvaihto. Laitteesta voi tulla hieman savua ja sille ominaista hajua, kun kytket sen päälle ensimmäisen kerran. Tämä on normaalia ja loppuu nopeasti.

Huomaa: Käytä friteerausritilää aina siten, että silikonijalat ovat kiinnitettyinä. Ne auttavat vakauttamaan friteerausritilän koriin valmistuksen aikana.

KÄYTTÖ

1. Aseta laite kuivalle, vakaalle ja lämpöä kestäväälle alustalle.
2. Koska laite tulee kuumaksi käytön aikana, varmista, ettei se ole liian lähellä muita esineitä.
3. Vedä kori laitteesta korin kahvaa käyttäen. Laita friteerausritilä koriin.
4. Laita ainekset koriin. (Älä ylitä MAX-tasoa, joka on merkitty korin sisäpuolelle.) Liu'uta kori laitteeseen. Varmista, että se on oikein paikallaan ja täysin suljettu.
Huomio: Älä lisää koriin öljyä tai muita nesteitä. Älä koske koriin käytön aikana tai hetken käytön jälkeen, sillä se on hyvin kuuma. Pidä koria vain kahvasta.
5. Yhdistä pistoke sopivaan seinäpistorasiaan. Kone on nyt valmiustilassa. Paina valmiustilapainiketta "⏻", jolloin kaikki kuvakkeet tulevat näkyviin käyttöpaneeliin.

6. Paina painiketta 1 ja paina sitten valikkopainikkeita valitaksesi valmistustoiminnon ja säätääksesi aikaa ja lämpötilaa korille 1. Voit säätää aikaa (1 minuutti / painallus) ja lämpötilaa (10 astetta / painallus) painamalla "+" tai "-". Voit myös säätää arvoa nopeasti painamalla "+" tai "-" pitkään.
7. Paina painiketta 2 ja valitse sitten valikkopainikkeilla valmistustoiminto ja säädä aika ja lämpötila korille 2.
8. Paina tauko-/käynnistyspainiketta; laite alkaa toimia. Kori, jonka toiminta-aika on lyhyempi, valmistuu ensimmäisenä.
9. Kun valmistusprosessi on päättynyt, laite lakkaa toimimasta ja antaa äänimerkin. Voit myös sammuttaa laitteen manuaalisesti painamalla painiketta "⏻".
Toiminnan aikana voit keskeyttää ohjelman painamalla taukopainiketta ja jatkaa ohjelmaa painamalla sitä uudelleen.
10. Vedä kori laitteesta korin kahvaa käyttäen. Tarkista onko ruoka valmista. Jos ei, liu'uta kori takaisin laitteeseen. Valitse valikko, jossa voit asettaa lämpötilan ja ajastimen muutamaksi lisäminuutiksi. Paina sitten tauko-/käynnistyspainiketta käynnistääksesi laitteen uudelleen. HUOMAA: Voit myös vetää korin ulos valmistuksen aikana ja tarkistaa kypsyyden ja ravistella aineksia.
11. Kun poistat rasvaisia aineksia (esim. pihvit, kana, liha), joista on kertynyt rasvaa korin pohjalle friteerauksen aikana, käytä pihtejä ja poimi ne yksi kerrallaan.
Kun poistat aineksia (esim. ranskalaiset, vihannekset), joista ei kerry rasvaa korin pohjalle friteerauksen aikana, voit vetää korin pois ja kaataa ainekset tarjoiluastiaan.
Huomaa: Kori ja ainekset ovat kuumia friteerauksen jälkeen. Laitteesta saattaa tulla höyryä riippuen siinä olevista aineksista.
12. Kun ruoka on valmistettu, laite on välittömästi valmis seuraavan aineserän valmistamiseen, mikäli tarpeen.

Synkronoitu viimeistelytoiminto

- 1) Paina "SYNC FINISH" -painiketta, kuvake alkaa vilkkua.
- 2) Paina painiketta 1 asettaaksesi valmistusohjelman korille 1;
- 3) paina painiketta 2 asettaaksesi valmistusohjelman korille 2.
- 4) Paina tauko-/käynnistyspainiketta; vyöhyke, jolla on pidempi toiminta-aika, käynnistyy ensin. Toinen vyöhyke, jolla on lyhyempi toiminta-aika, käynnistyy myöhemmin. Molemmat vyöhykkeet lopettavat toiminnan samaan aikaan.

Dual cook -toiminto

- 1) Paina "DUAL COOK" -painiketta ja valitse sitten valikkopainikkeilla valmistustoiminto ja säädä aika ja lämpötila molemmille vyöhykkeille. Ne toimivat samalla ohjelmalla.
- 2) Paina tauko-/käynnistyspainiketta; laite alkaa toimia.

Esilämmitystoiminto

Painamalla painiketta "☀️" ja painamalla sitten "+" tai "-" voit säätää esilämmityksen vaatiman lämpötilan (50–200 °C) ja ajan (1–60 minuuttia).

Huomaa:

- 1) Valikkopainikkeita, ajastinta ja lämpötilapainikkeita voidaan säätää vain, kun painike 1, painike 2 tai dual cook -painike vilkkuu.
- 2) Pieniä ruokamääriä voit valmistaa käyttämällä vain yhtä koria. Valitse ohjelma kyseistä koria varten ja paina sitten tauko-/käynnistyspainiketta.
- 3) Kun valmistat molemmilla vyöhykkeillä, valmistusaika on pidempi.

PAISTOVIHJEITÄ

1. Optimaalinen määrä rapeita aineksia on 450-600 grammaa.
2. Lisää valmistusaikaan 3 minuuttia, jos laite on kylmä. Voit myös esilämmittää laitetta noin tyhjänä.
3. Jotkin ainekset vaativat ravistelua valmistuksen puolivälissä. Voit ravistella aineksia tai kääntää ne vetämällä korin ulos laitteesta kahvaa käyttäen ja ravistelemalla aineksia tai kääntämällä ne haarukalla (tai pihtideillä). Liu'uta kori sitten takaisin laitteeseen.

4. Friteerauskeitintä voi käyttää myös ruoan uudelleenlämmittämiseen. Aseta silloin lämpötilaksi 150 °C ja ajaksi enintään 10 minuuttia.
5. Tuotteet, jotka on paneerattu tulevat rapeammiksi, jos niihin suihkutetaan hieman kasviöljyä.
6. Aseta kakkuvuoka tai uunivuoka laitteeseen, jos haluat leipoa kakun tai quiche-piiraan tai muita hajoavia aineksia.
7. Älä valmista laitteessa erittäin rasvaisia aineksia, kuten makkaroitu.

VAROITUS:

1. Älä upota laitteen runkoa veteen tai huuhtele sitä juoksevilla vedellä.
2. Estä nesteiden joutuminen laitteeseen sähköiskun tai oikosulun vaaran välttämiseksi.
3. Aseta aina kaikki ruoat koriin, jotta ne eivät pääse koskettamaan lämpöelementtejä.
4. Älä peitä laitteen ilman sisäänmeno- tai ulostuloaukkoja sen ollessa käytössä. Jätä vähintään 10 cm:n vapaa tila laitteen ympärille ja yläpuolelle.
5. Korin täyttäminen öljyllä saattaa aiheuttaa tulipalovaaran!
6. Älä koske laitteen sisäpuolta laitteen ollessa toiminnassa.
7. Varo kuumaa höyryä ja ilmaa, kun poistat korin laitteesta.
8. Ilman ulostuloaukoista vapautuu käytön aikana kuumaa höyryä. Pidä kädet ja kasvot turvallisella etäisyydellä höyrystä ja ilma-aukoista.
9. Kytke laite heti pois päältä ja irrota pistorasiasta, jos tummaa savua tulee laitteesta. Se tarkoittaa, että ruoka on palanut tai laite on vioittunut.

FRITEERAUSTAULUKKO

Jos tuotepakkauksen ohjeet eroavat taulukossa annetuista arvoista, noudata pakkauksen ohjeita. Lisää valmistusaikaan 3 minuuttia ennen friteerauksen aloittamista, jos laite on kylmä.

Ainesosa	Määrä vyöhykettä kohti (g)	Lämpöt. (°C)	Aika (min)		Lisätietoja
			Yksi vyöhyke	Kaksi vyöhykettä	
Porkkanat	450	200	13-16	25-30	Lisää 1 rkl öljyä
Vihreät pavut	350	200	8-10	10-15	Lisää 1 rkl öljyä
Sienet	250	200	7-9	13-15	Lisää 1 rkl öljyä
Katkaravut	450	180	7-10	10-13	Lisää 1 rkl öljyä
Pihvit	250	180	10-20	14-28	Sivelty öljyllä
Ranskalaiset perunat	450	200	15-22	28-32	
Kananrinnat	300	200	22-24	25-28	Sivelty öljyllä
Porsaankylykset	250	200	14-17	17-25	Sivelty öljyllä
Kananuggetit	350	200	10-13	18-21	
Pizzakierteet	550	200	12-15	15-18	
Sipulirenkaat	300	190	13-16	18-22	

PUHDISTUS JA KUNNOSSAPITO

1. Anna laitteen jäähtyä noin 30 minuuttia ennen puhdistamista. Puhdista laitteen sisä- ja ulkopinnat säännöllisesti.
 2. Puhdista sisäpinnat nihkeällä liinalla ja kuivaa ne pehmeällä, puhtaalla liinalla.
 3. Älä koskaan käytä hankaavia puhdistusaineita tai sieniä.
 4. Poista kori laitteesta, jolloin laite jäähtyy nopeammin. Puhdista kori ja friteerausritilä kuumalla pesuainevedellä ja hankaamattomalla sienellä. Kuivaa huolellisesti ennen käyttöä.
 5. Puhdista lämpöelementistä kotelon sisällä (näet sen, kun vedät korin) ruoanjäämät puhdistusharjalla.
- Huomaa: Korit ja friteerausritilät ovat astianpesukoneen kestäviä.

VIANETSINTÄ

Ongelma	Mahdollinen syy	Ratkaisu
Laite ei toimi.	Laitetta ei ole yhdistetty pistorasiaan.	Yhdistä virtapistoke maadoitettuun pistorasiaan.
	Et ole kytkenyt laitetta päälle painamalla tauko-/käynnistuspainiketta.	Kytke laite päälle painamalla painiketta.
Ainekset eivät kypsy täydellisesti.	Ainesten määrä korissa on liian suuri.	Laita koriin vähemmän aineksia. Pienemmät erät kypsyvät tasaisemmin.
	Lämpötila on liian alhainen tai aika on liian lyhyt.	Paina "+" säätääksesi lämpötilan haluttuun lämpötilaan tai lisätäksesi valmistusaikaa.
Ainesten friteeraustulos on epätasainen.	Erityyppiset ainekset voivat vaatia ravistelua valmistuksen puolivälissä.	Ravistele aineksia valmistuksen puolivälissä.
Friteeratut tuotteet eivät ole rapeita	Käytät ehkä tuotteita, jotka täytyy valmistaa perinteisessä rasvakeittimessä.	Käytä uuniin tarkoitettuja tuotteita tai voitele ne öljyllä rapeamman tuloksen saamiseksi.
Laitteesta tulee valkoista savua.	Kypsennettävät ruoat ovat rasvaisia.	Huomioi, että lämpötila on säädetty alle 180 °C:n, kun valmistat rasvaisia aineksia ilmafriteeraamalla.
	Rasvankeruuastiassa on vielä rasvajäämiä edellisestä käyttökerrasta.	Puhdista rasvankeruuastia huolellisesti jokaisen käyttökerran jälkeen.
Ranskalaiset perunat eivät valmistu tasaisesti.	Et käytä sopivaa perunalajiketta	Käytä tuoreita perunoita ja varmista, että ne pysyvät kiinteinä friteerauksen aikana
	Et ole huuhdellut perunatikkuja kunnolla ennen friteerausta.	Huuhtelee perunatikut kunnolla tärkkelyksen poistamiseksi niiden pinnasta.
Ranskalaiset perunat eivät ole rapeita	Ranskalaisten rapeus riippuu niissä olevan öljyn ja veden määrästä	Varmista, että perunatikut on kuivattu kunnolla ennen öljyn lisäämistä.
		Leikkaa perunatikut pienemmiksi rapeamman tuloksen saavuttamiseksi
		Lisää hieman öljyä rapeamman tuloksen saamiseksi

TEKNISET TIEDOT

Käyttöjännitettä: 230V~ 50Hz-60Hz

Tehonkulutuksen: 2400W

TAKUU JA ASIAKASPALVELU

Laitteemme tarkastetaan huolellisesti, ennen kuin ne toimitetaan jälleenmyyntiin. Jos laite on kaikesta huolimatta vioittunut tuotannon tai kuljetuksen aikana, palauta se jälleenmyyjälle.

Laitteella on 2 vuoden takuu ostopäivästä lukien. Mikäli sinulla on viallinen tuote, voit palata suoraan paikkaan jossa suoritit hankinnan.

Takuu ei kata vikoja, jotka aiheutuvat laitteen virheellisestä käsittelystä, ulkopuolisten suorittamista muutoksista tai korjauksista tai muiden kuin alkuperäisosien asentamisesta laitteeseen. Säilytä aina kuitti,

ilman kuittia et voi vaatia mitään takuun puitteissa. Vauriot jotka johtuvat ohjekirjan noudattamatta jättämisestä, aiheuttavat takuun raukeamisen, jos tämä johtaa seurannaisiin vahinkoihin, emme ole vastuussa. Meitä ei voi myöskään pitää vastuullisena materiaalisista vahingoista tai henkilökohtaisista vammoista jotka johtuvat laitteen epäasiallisesta käytöstä tai jos käyttöohjeita ei noudateta. Vauriot lisävarusteille eivät tarkoita koko laitteen ilmaista vaihtoa. Tämän kaltaisessa tapauksessa ole hyvä ja ota yhteyttä palveluyksikköömme. Rikotusta lasista tai muovin kappaleista veloitetaan aina. Viat kuluviissa osissa tai osissa jotka ovat alttiita rasitukselle kuten myös puhdistukselle, huollolle tai vaihdolle, mainitut osat eivät kuulu takuun piiriin ja tulee maksaa.



Yliviivatun roskakorin symboli tarkoittaa, että tuotetta ei saa hävittää tavallisen kotitalousjätteen mukana. Elektroniikka- ja sähkölaitteet, jotka eivät kuulu valikoivan lajittelun piiriin, voivat olla vaarallisia ympäristölle ja ihmisten terveydelle, koska niissä on vaarallisia aineita. Toimita ne vastuullisesti hyväksytyyn jäte- tai kierrätyslaitokseen.

SIKKERHETSINSTRUKSER

Før bruk må du lese alle instruksene nedenfor så du unngår skader på personer eller gjenstander, og slik at resultatet blir best mulig. Oppbevar håndboken på et trygt sted. Hvis du gir eller overlater apparatet til andre, må du sørge for at de også får håndboken.

Skulle det oppstå skader fordi brukeren ikke følger instruksene i håndboken, vil garantien ikke lenger være gyldig. Produsent/importør påtar seg ikke ansvar for skader som måtte oppstå dersom instruksene ikke blir fulgt, apparatet utsettes for skjødesløs behandling eller bruken ikke er i tråd med anvisningene.

1. Dette apparatet kan brukes av barn over 8 år og av personer med nedsatte fysiske, sensoriske eller mentale funksjoner eller manglende erfaring og kunnskap, så sant de er under betryggende tilsyn eller har fått opplæring i anvendelsen av apparatet og er klar over risikoen ved bruk.
2. Barn må ikke leke med apparatet.
3. Rengjøring og vedlikehold må ikke utføres av barn med mindre de er over 8 år og under tilsyn.
4. Apparat og ledning må være utilgjengelige for barn under 8 år.
5. Hvis ledningen er ødelagt, må den byttes av produsent, serviceansvarlig eller annen kvalifisert person for at ulykker skal unngås.
6. For instruksjoner om hvordan du rengjør overflater som kommer i kontakt med mat eller olje, kan du lese avsnittet "Rengjøring og vedlikehold" i håndboken.
7. Apparatet er ikke ment å skulle betjenes med et eksternt tidsur eller en separat fjernkontroll.
8. Dette apparatet er beregnet til husholdninger og liknende bruksområder som personalkjøkken i butikker, kontorer og andre arbeidsplasser samt gårdsbruk, og til bruk for gjester på hoteller, moteller, pensjonater og andre typer overnattingssteder.
9. Før du setter støpslet inn i stikkontakten, må du kontrollere at spenning og frekvens er i samsvar med spesifikasjonene på typeetiketten.
10. Ta støpslet ut av stikkontakten når apparatet ikke er i bruk og før rengjøring.
11. Brukes det skjøteledning, må den passe til apparatets strømforbruk, hvis ikke kan ledning og/eller støpsel bli overopphetet. Det er en potensiell risiko for skader ved at man kan snuble i ledningen. Vær påpasselig med å unngå farlige situasjoner.
12. Pass på at ledningen ikke henges over skarpe kanter, og hold den unna varme gjenstander og åpen flamme.
13. Ikke legg apparat eller støpsel i vann eller andre væsker. Elektrisk støt kan medføre livsfare!
14. Når du skal ta støpslet ut av kontakten, drar du i støpslet. Unngå å dra i ledningen.
15. Unngå å ta på apparatet hvis det faller ned i vann. Ta støpslet ut av kontakten, slå av apparatet og lever det til et autorisert servicesenter for reparasjon.
16. Apparatet må ikke kobles til eller fra strømmettet med våte hender.
17. Du må aldri forsøke å åpne dekslet på apparatet eller reparere det selv. Det kan medføre elektrisk støt.
18. Ikke la apparatet stå uten tilsyn mens det er i bruk.
19. Apparatet er ikke beregnet på kommersiell bruk.
20. Apparatet må aldri brukes til andre formål enn det som det er beregnet for.
21. Unngå å snurre ledningen rundt apparatet eller lage en knekk på den.
22. Sett apparatet på et stabilt og flatt underlag som det ikke kan falle ned fra.
23. Unngå at produktet kommer i nærkontakt med for mye skitt og fuktighet.
24. Rengjør selve produktet med en lett fuktig klut.
25. Maskinen må ikke brukes uten at den holdes under oppsyn. Hvis du forlater stedet, må du alltid slå av maskinen eller ta støpslet ut av stikkontakten (dra i selve støpslet, ikke i ledningen).
26. Ikke plasser apparatet mot en vegg eller mot et annet apparat. La det være minst 10 cm ledig plass på baksiden og sidene og over apparatet.
27. Under steking med varm luft frigjøres varm damp gjennom luftutløpsåpningene. Hold hender og ansikt i sikker avstand fra dampen og fra luftutløpsåpningene. Vær også forsiktig med varm damp og luft når du tar kjelen ut av apparatet.

28. Trekk øyeblikkelig ut støpselet hvis du ser mørk røyk som kommer ut av apparatet. Vent til røykutslipppet stopper før du tar kjelen ut av apparatet.
29. Sørg for at varmeelementet og omgivelsene er rene og renses fra matrester før hver bruk av apparatet, for å sikre en feilfri funksjon.

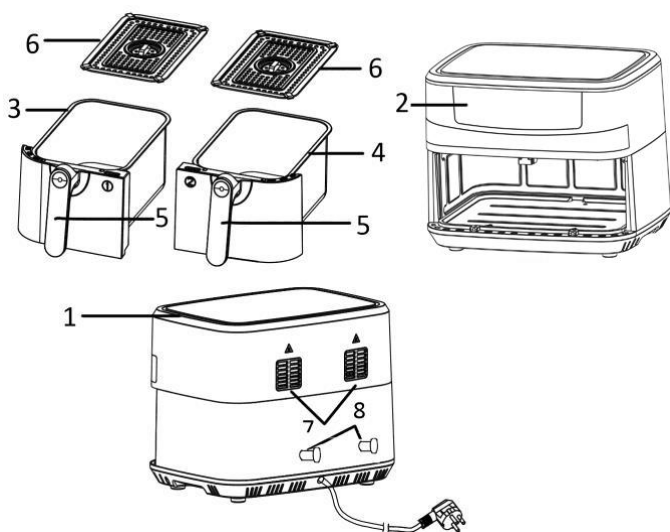


30. Advarsel, varm overflate

ADVARSEL: Ikke rør overflaten mens apparatet er i bruk. Temperaturen på de tilgjengelige overflatene kan være høy når apparatet er i bruk.

31. Varm luft kommer ut av lufteventilen på baksiden av apparatet. Sørg for å holde tilstrekkelig avstand til materialer som glass som er følsomme for varme.
32. Hvis du bruker produkter med slippbelegg, må du forsikre deg om at ingen fugler befinner seg i samme rom, og at rommet kan lukkes fullstendig og samtidig være godt ventilert.
33. Fjern alltid bakepapir fra kurven etter bruk og før/under forvarming uten mat.

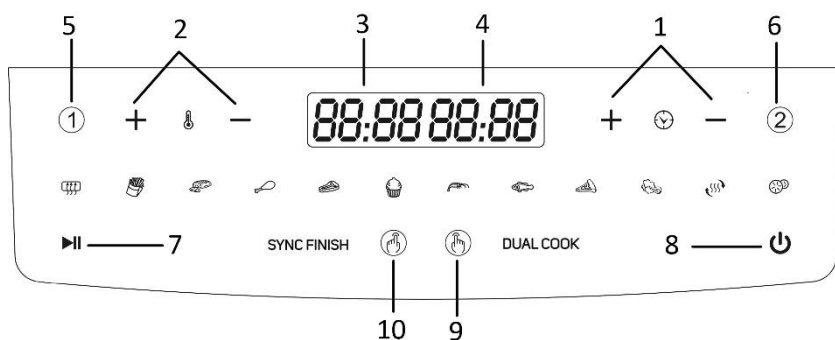
BESKRIVELSE AV DELENE



1. Luftinntak
2. Kontrollpanel og skjerm
3. Handlekurv 1
4. Kurv 2
5. Kurvhåndtak
6. Stekegrill
7. Luftuttak
8. Oppbevaringsplass for strømledning

Kontrollpanel og display

1. Timerkontroll (Trykk «+» eller «-» for å justere tiden fra 1 til 60 minutter)
2. Temperaturkontroll (Trykk «+» eller «-» for å justere temperaturen fra 50°C til 200°C)
3. Timer og temperaturvisning for kurv 1
4. Timer og temperaturvisning for kurv 2
5. Knapp 1 for kurv 1
6. Knapp 2 for kurv 2
7. Pause/start-knapp
8. Standby / avbryt-knapp
9. Dobbelt kokeknapp
10. Avsluttende synkroniseringsknapp



Menyknapper

Meny	Standard tid (min)	Standard temperatur (°C)
Forvarm	3	180
Pommes frites	18	200
Kjøtt	12	200
Kyllingklubber	20	200
Biff	12	180
Kake	25	160
Reker	8	180
Fisk	10	180
Pizza	20	180
Grønnsak	10	160
Oppvarm	15	150
Dehydrer	360 (Justerbar tid: 0,5 time til 24 timer)	60

FØR BRUK

Les først alle instruksjonene før bruk og oppbevar for senere referanse. Apparatet må alltid kobles til en jordet stikkontakt. Fjern emballasjen før første bruk. Rengjør kurven og stekegrillen. (Se "rengjøring og vedlikehold") Tørk på innsiden og utsiden av apparatet med en myk klut. Forsikre deg om at de elektriske delene forblir tørre.


Dette apparatet varmer mat i alle retninger, og de fleste ingrediensene trenger ingen olje.

Bruk apparatet før første gangs bruk i ca. 10 minutter for å brenne av produksjonsrester. Sørg for god ventilasjon. Apparatet kan avgi noe røyk og en karakteristisk lukt når du slår det på for første gang. Dette er normalt og vil snart stoppe.

Merk: Bruk alltid stekegrillen med silikonføttene festet. De vil bidra til å stabilisere stekegrillen i kurven under stekingen.

BRUK

1. Plasser apparatet på en tørr, stabil og varmebestandig overflate.
2. Siden apparatet blir varmt under bruk, må du forsikre deg om at det ikke er for nær andre gjenstander.
3. Trekk ut kurven fra apparatet ved hjelp av kurvhåndtaket. Sett risten inn i kurven.
4. Sett ingrediensene i kurven. (Ikke overskrid MAX-nivået som er angitt i kurven.) Skyv kurven inn i apparatet. Forsikre deg om at de er plassert riktig og lukket helt.
Forsiktighet: Ikke fyll kurven med olje eller annen væske. Ikke berør kurven under bruk eller innen kort tid etter bruk, da den blir veldig varm. Hold skuffen kun i håndtaket.
5. Koble strømkontakten til et passende stikkontakt. Maskinen er nå i beredskap. Trykk på standby-knappen "⏻", alle ikoner vises i kontrollpanelet.

- Trykk på knappen 1, og trykk deretter på menyknappene for å velge tilberedningsfunksjonen og justere tiden og temperaturen for kurv 1; du kan trykke "+" eller "-" for å justere tiden (1 minutt / trykk) og temperatur (10 grader / trykk). Du kan også trykke lenge på "+" eller "-" for rask justering.
- Trykk på knappen 2, og trykk deretter på menyknappene for å velge kokefunksjonen og justere tid og temperatur for kurv 2.
- Trykk på pause/start-knappen; apparatet vil begynne å fungere. Kurven med kortere arbeidstid blir ferdig først.
- Når tilberedningsprosessen er ferdig, vil apparatet slutte å fungere med pipelyd. Du kan også slå av apparatet manuelt ved å trykke på knappen «».
Under drift kan du trykke på pauseknappen for å sette programmet på pause, og trykke på den igjen for å fortsette programmet.
- Trekk ut kurven fra apparatet ved hjelp av kurvhåndtaket. Sjekk om ingrediensene er klare. Hvis ikke, skyv bare kurven tilbake i apparatet. Velg menyen for å stille inn temperaturen og timeren til noen ekstra minutter. Trykk deretter på pause/start-knappen for å kjøre apparatet igjen. MERK: Du kan også trekke ut kurven for å sjekke og riste ingrediensene under kokeprosessen.
- For å fjerne ingredienser (f.eks. oksekjøtt, kylling, kjøtt) med original olje og ha overskytende olje samlet på bunnen av kurven under steking, bruk klyper for å plukke ut ingrediensene en etter en.
For å fjerne ingredienser (f.eks. chips, grønnsaker) uten overflødig olje samlet på bunnen av kurven under steking, må du trekke ut kurven og helle ingrediensene på et servise.
Merk: Kurven og ingrediensene er varme etter steking. Avhengig av type ingredienser i apparatet, kan det komme damp ut av pannen.
- Etter tilberedningen er apparatet øyeblikkelig klar til å tilberede en annen mengde ingredienser om nødvendig.


Synkroniseringsavslutningsfunksjon

- Trykk på "SYNC FINISH"-knappen, ikonet vil blinke.
- Trykk på knappen 1 for å stille inn et tilberedningsprogram for kurv 1;
- trykk på knappen 2 for å stille inn et tilberedningsprogram for kurv 2.
- Trykk på pause/start-knappen; sonen med mer arbeidstid starter først. En annen sone med kortere arbeidstid starter senere. Begge sonene vil slutte å samarbeide.

Dobbel kokefunksjon

- Trykk på "DOBBEL KOKE"-knappen, og trykk deretter på menyknappene for å velge kokefunksjonen og justere tiden og temperaturen for begge sonene. De vil jobbe med det samme programmet.
- Trykk på pause / start-knappen; apparatet begynner å fungere.

Forvarmingsfunksjon

Trykk på knappen "", og trykk deretter "+" eller "-" for å justere temperaturen (50°C til 200°C) og tiden (1 til 60 minutter)) nødvendig for forvarming.

Merk:

- Menyknappene, timer- og temperaturknappene kan bare justeres mens knapp 1, knapp 2 eller den doble kokeknappen blinker.
- For små mengder mat kan du lage mat med bare én kurv. Velg et program for den kurven, og trykk deretter på pause/start-knappen.
- Ved matlaging i begge soner vil det være nødvendig med lengre koketid.

STEKETIPS

- Den optimale mengden for sprø pommefrittes er 450-600 gram.
- Legg til ytterligere 3 minutter til forberedelsestiden når apparatet er kaldt, eller du kan også forvarme apparatet uten ingredienser inni.

- Noen ingredienser krever risting halvveis i reparasjonstiden. For å riste eller snu ingrediensene, trekk kurven ut av apparatet ved håndtaket og rist det eller vend ingrediensene med en gaffel (eller tang). Skyv deretter kurven tilbake i apparatet.
- Du kan også bruke frituregryten til å varme opp ingredienser. For å varme opp ingrediensene, sett temperaturen til 150°C i opptil 10 minutter.
- Produkter med skorpe av tørre brødsmler vil bli sprøere ved å spraye dem med litt vegetabilsk olje.
- Sett en stekepanne eller et ovnfat i apparatet hvis du vil bake en kake eller quiche eller andre skjøre ingredienser.
- Ikke tilbered ekstremt fete ingredienser som pølser i apparatet.

OBS:

- Ikke senk huset i vann eller skyll det under kranen.
- Unngå at væske kommer inn i apparatet for å forhindre elektrisk støt eller kortslutning.
- Hold alle ingrediensene i kurven for å forhindre kontakt med varmeelementer.
- Ikke dekk til luftinntaket og uttaket når apparatet fungerer. La det være minst 10 cm ledig plass rundt og over apparatet.
- Å fylle kurven med olje kan føre til brannfare!
- Ikke berør innsiden av apparatet når det er i drift.
- Vær forsiktig med varm damp og luft når du tar kurven ut av apparatet.
- Under drift frigjøres varm damp gjennom luftutløpet. Hold hender og ansikt i sikker avstand fra dampen og luftutløpet.
- Slå øyeblikkelig av og koble fra støpselet hvis du ser mørk røyk som kommer ut av apparatet, noe som betyr at maten er overkokt eller at apparatet brøt sammen.

STEKEBORD

Hvis instruksjonene på produktpakningen skulle avvike fra verdiene vist i denne tabellen, bør instruksjonene på pakningen følges. Legg til 3 minutter til tilberedningstiden før du begynner å steke hvis apparatet er kaldt.

Ingrediens	Beløp per sone (g)	Temp. (°C)	Tid (min.)		Ekstra informasjon
			Enkel sone	Dobbel sone	
Gulrøtter	450	200	13-16	25-30	Tilsett 1 ss olje
Grønne bønner	350	200	8-10	10-15	Tilsett 1 ss olje
Sopp	250	200	7-9	13-15	Tilsett 1 ss olje
Reke	450	180	7-10	10-13	Tilsett 1 ss olje
Steak	250	180	10-20	14-28	Børstet med olje
Pommes frites	450	200	15-22	28-32	
Kyllingbryst	300	200	22-24	25-28	Børstet med olje
Svinekoteletter	250	200	14-17	17-25	Børstet med olje
Kyllingnuggets	350	200	10-13	18-21	
Pizzaruller	550	200	12-15	15-18	
Løkringer	300	190	13-16	18-22	

RENGJØRING OG VEDLIKEHOLD

- Før du håndterer eller rengjør apparatet, la det avkjøles i omtrent 30 minutter. Rengjør apparatet på innsiden og utsiden regelmessig.
- Rengjør utsiden og innsiden av apparatet med en fuktig klut og tørk av med en myk, ren klut.
- Bruk aldri slipende rengjøringsmidler eller svamper.
- Fjern kurven for å la apparatet avkjøles raskere. Rengjør kurven og stekegrillen i varmt vann med en vaskevæske og en ikke-slipende svamp. Tørk godt før bruk.
- Rengjør risten til varmeelementet på innsiden av huset (du kan se det etter å ha trukket ut kurven) med en rengjøringsbørste for å fjerne matrester.

Merk: Kurvene og stekegrillen tåler oppvaskmaskin.

FEILSØKING

Problem	Mulig årsak	Løsning
Apparatet fungerer ikke.	Apparatet er ikke koblet til.	Sett støpselet i en jordet stikkontakt.
	Du har ikke trykket på pause/start-knappen for å slå på maskinen.	Trykk på knappen for å slå på apparatet.
Ingrediensene er ikke helt stekt.	Mengden mat i kurven er for høy.	Legg mindre partier med ingredienser i kurven. Mindre partier brennes jevnere.
	Temperaturen er for lav eller tiden er ikke nok.	Trykk på «+» for å justere temperaturen til ønsket temperatur eller koke ekstra tid.
Ingrediensene er stekt ujevnt.	Ulike typer mat kan trenge å ristes halvveis.	Rist maten halvveis.
Stekte snacks er ikke sprø.	Du brukte en type snacks som skal tilberedes i en tradisjonell friturekoker.	Bruk ovnsnacks eller pensle litt olje på snacksen for et sprøere resultat.
Hvit røyk kommer ut av apparatet.	Du tilbereder fete ingredienser.	Vær oppmerksom på at temperaturen er godt kontrollert til å være under 180°C, når du steker fete ingredienser i airfryeren.
	Kurven inneholder fortsatt fettrester fra tidligere bruk.	Rengjør kurven ordentlig etter hver bruk.
Pommes frites stekes ujevnt.	Har ikke brukt riktig potetype.	Bruk ferske poteter og pass på at de holder seg faste under steking.
	Ikke skylt potetstikkene ordentlig før du steker.	Skyll potetstikkene ordentlig for å fjerne stivelse fra utsiden av pinnene.
Pommes frites er ikke sprø.	Sprøheten til pommes frites avhenger av mengden olje og vann i potetstikkene.	Forsikre deg om at potetstengene er tørket ordentlig før du tilsetter oljen.
		Skjær potetpinnene mindre for et sprøere resultat.
		Tilsett litt mer olje for et sprøere resultat.

TEKNISKE DATA

Driftsspenning: 230V~ 50Hz-60Hz

Strømforbruk: 2400W

GARANTI OG KUNDESERVICE

Før levering våre enheter er underlagt streng kvalitetskontroll. Hvis, til tross all omsorg, har skaden oppstått under produksjon eller transport, kan du returnere enheten til forhandleren.

For de kjøpte apparatet vi gir 2 års garanti, fra den dagen av salget. I denne perioden vil vi avhjelpe alle mangler gratis, som kan påviselig skyldes material-eller produksjonsfeil, ved reparasjon eller bytte.

Defekter som oppstår på grunn av feil håndtering av enheten og funksjonsfeil på grunn av inngrep og reparasjoner av tredjeparter eller montering av ikke-originale deler er ikke dekket av denne garantien. Ta alltid vare på kvitteringen. Uten kvitteringen kan du ikke kreve noen form for garanti. Skade som skyldes at bruksanvisningen ikke er fulgt, medfører at garantien blir gjort ugyldig. Hvis dette resulterer i betydelig skade vil vi ikke kunne holdes ansvarlig for skaden. Vi kan heller ikke bli holdt ansvarlig for material - eller personalskade som skyldes feil bruk eller om instruksene i bruksanvisningen ikke er blitt ordentlig utført. Skade på tilbehør gir ikke rett til utskifting av hele apparatet. Vær vennlig, i et slikt tilfelle, å ta kontakt med din

serviceavdeling. Knust glass eller brekkasje på plastikkdeler er alltid gjenstand for utskifting. Ved defekter på forbruksdeler eller deler som er utsatt for slitasje, herunder rengjøring, vil vedlikehold eller utskifting ikke være dekket av garantien og må derfor bli betalt.



Symbolet med en søppelkasse med kryss over betyr at dette produktet ikke skal kastes sammen med vanlig husholdningsavfall. Elektronisk og elektrisk utstyr som ikke er inkludert i den selektive sorteringsprosessen er potensielt farlig for miljøet og menneskers helse på grunn av tilstedeværelsen av farlige stoffer. Vennligst avhend ansvarlig på et godkjent avfalls- eller resirkuleringsanlegg.

SIKKERHEDSINSTRUKTIONER

Sørg for at læse alle anvisningerne nedenfor, før apparatet tages i brug, for at undgå person- eller tingskade, og for at opnå de bedste resultater med apparatet. Opbevar denne vejledning på et sikkert sted. Hvis du giver dette apparat til en tredjepart, skal du også overdrage denne vejledning til den senere bruger.

Skulle der opstå skader som følge af, at brugeren ikke følger anvisningerne i denne vejledning, bortfalder garantien. Fabrikanten/importøren kan ikke holdes ansvarlig for skader som opstår som følge af, at brugeren ikke følger vejledningen, uagtsom anvendelse eller anvendelse i strid med vejledningen.

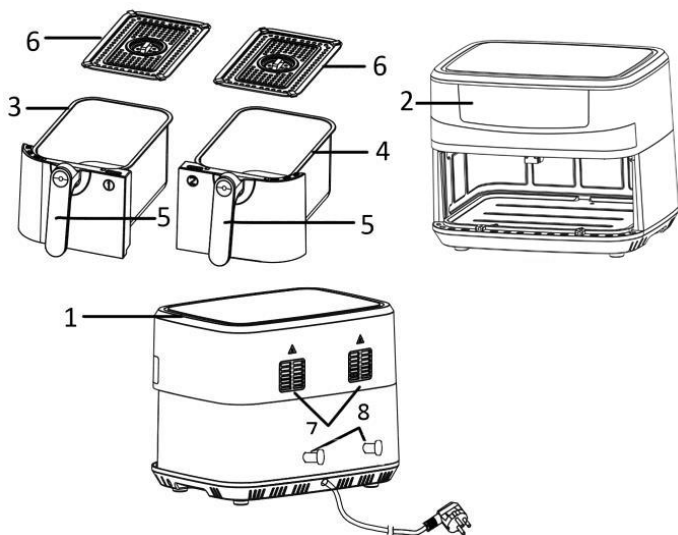
1. Dette apparat kan bruges af børn fra 8 år og op samt personer med nedsatte fysiske, sansemæssige eller mentale kapaciteter eller med mangel på erfaring og kendskab, hvis de har været under opsyn eller har modtaget vejledning i apparatets sikre brug og forstår de dertilhørende farer.
2. Børn må ikke leget med apparatet.
3. Rengøring og brugervedligeholdelse må ikke udføres af børn, medmindre de er over 8 år og er under opsyn.
4. Hold apparatet og dets ledning utilgængeligt for børn under 8 år.
5. Hvis strømkablet er beskadiget, skal den udskiftes af fabrikanten, dennes servicetekniker eller tilsvarende kvalificeret person for at undgå en fare.
6. Se manualens afsnit om "Rengøring og vedligeholdelse" for vejledning i rengøring af de overflader som kommer i kontakt med madvarer eller olie.
7. Dette apparat er ikke beregnet til at blive brugt sammen med en ekstern timer eller et særskilt fjernbetjeningssystem.
8. Dette apparat er beregnet til brug i hjemmet og lignende steder, så som: personalekøkkener i butikker, kontorer og andre arbejdsmiljøer, gårde, af gæster på hoteller, moteller og andre former for beboelse samt eksempelvis bed and breakfast-steder.
9. Før stikket sættes i en stikkontakt, bedes du kontrollere, at spændingen og frekvensen overholder specifikationerne på mærkeskiltet.
10. Tag stikket ud af stikkontakten, når apparatet ikke er i brug og før rengøring.
11. Hvis der anvendes en forlængerledning, skal denne være egnet til apparatets strømforbrug, ellers kan der opstå overophedning af forlængerledningen og/eller stikket. Der er potentielt risiko for skade fra fald over forlængerledningen. Vær forsigtig og undgå farlige situationer.
12. Sørg for, at ledningen ikke hænger over skarpe kanter, og hold den væk fra varme genstande og åben ild.
13. Apparatet eller stikket må ikke puttes i vand eller andre væsker. Dette kan være livsfarligt pga. elektrisk stød!
14. For at tage stikket ud af stikkontakten skal du trække i selve stikket. Træk ikke i ledningen.
15. Berør ikke apparatet, hvis det falder ned i vand. Tag stikket ud af stikkontakten, og send det til reparation på et autoriseret servicecenter.
16. Undlad at sætte stikket i stikkontakten eller tage stikke ud af kontakten med våde hænder.
17. Forsøg aldrig at åbne apparatets kabinet, eller at reparere apparatet selv. Det kan forårsage elektrisk stød.
18. Efterlad aldrig apparatet uden opsyn, mens det er i brug.
19. Dette apparat er ikke beregnet til kommerciel brug.
20. Brug ikke apparatet til andet end dets tilsigtede brug.
21. Ledningen må ikke vikles rundt om apparatet eller bukkes.
22. Placer apparatet på en stabil, plan overflade, hvorfra det ikke kan falde ned.
23. Undgå, at produktet udsættes for skidt og fugtighed.
24. Rengør produktet med en fugtig klud.
25. Maskinen må ikke bruges uden opsyn. Hvis du forlader arbejdsområdet, skal maskinen altid slukkes eller træk stikket ud af stikkontakten (træk i selve stikket, og ikke i ledningen).
26. Placer ikke apparatet mod en væg eller mod andre apparater. Sørg for, at der er mindst 10 cm fri plads bagved, på siderne og over apparatet.

27. Ved stegning med varmluft, kommer der varmt damp ud af luftudtagene. Hold hænder og ansigt væk fra dampen, og fra luftudtagene. Pas også på varmt damp og luft, når panden fjernes fra apparatet.
28. Træk øjeblikkeligt stikket ud af stikkontakten, hvis du ser mørk røg komme ud af apparatet. Vend indtil det ikke længere ryger, før du fjerner panden fra apparatet.
29. Inden hvert brug, skal du sørge for at varmeelementet og området omkring det er rent og fri for fødevarerester, så det sikres at apparatet virker ordentligt.



30. **Advarsel, varm overflade**
ADVARSEL!! Overfladerne må ikke røres, når apparatet er i brug. Temperaturen på tilgængelige overflader kan være høj, når apparatet er i brug.
31. Der kommer varmt luft ud af luftudtagene bag på apparatet. Sørg for, at der er nok afstand til materialer, såsom glas, der kan påvirkes af varme.
32. Hvis du bruger produkter med sliplet-overflader, skal du sørge for, at ingen fugle er i rummet, og at rummet kan lukkes helt af og er godt ventileret.
33. Bagepapiret skal altid tages ud af kurven efter brug og før/under forvarmning uden fødevarer.

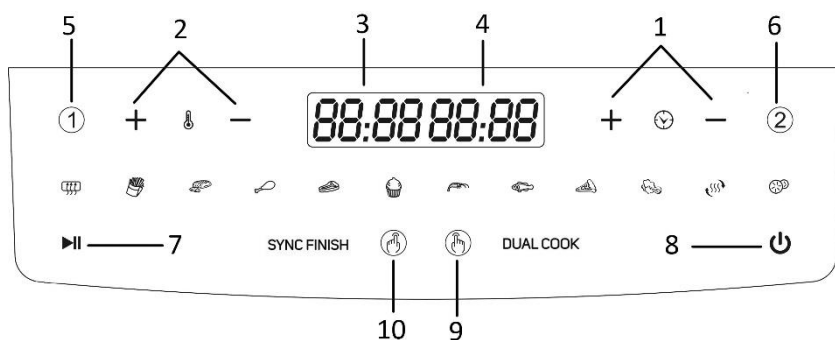
BESKRIVELSE AF DELENE



1. Luftindtag
2. Betjeningspanel og skærm
3. Kurv 1
4. Kurv 2
5. Kurvhåndtag
6. Rist
7. Luftudtag
8. Opbevaringssted til strømkablet

Betjeningspanel og skærm

1. Ur-knap (brug »+« og »-« knapperne til, at indstille tiden fra 1 til 60 minutter)
2. Temperaturknap (Brug knapperne "+" og "-" til, at indstille temperaturen til mellem 50 °C og 200 °C)
3. Timer- og temperaturvisning til kurv 1
4. Timer- og temperaturvisning til kurv 2
5. Knap 1 til kurv 1
6. Knap 2 til kurv 2
7. Pause/Start-knap
8. Standby/Annuller-knap
9. Knap til dobbelt tilberedning
10. Knap til synkroniseret afslutning



Menu-knapper

menu	Standardtid (min)	Standardtemperatur (°C)
Forvarm	3	180
Pommes frites	18	200
Kød	12	200
Kyllingelår	20	200
Bøf	12	180
Kage	25	160
Rejer	8	180
Fisk	10	180
Pizza	20	180
Grøntsager	10	160
Genopvarm	15	150
Dehydrer	360 (Justerbar tid: 0,5 time til 24 timer)	60

FØR ANVENDELSE



Læs først alle vejledningerne inden brug, og behold brugsvejledningen til senere reference. Slut altid apparatet til en jordforbundet stikkontakt. Inden første brug, skal al emballagen fjernes. Rengør kurven og risten. (Se afsnittet "Rengøring og vedligeholdelse") Tør apparatet af på indersiden og ydersiden med en blød klud. Sørg for, at de elektriske dele forbliver tørre. **Dette apparat varmer fødevarerne på alle siderne, og de fleste ingredienser skal ikke smøres med olie.**

Start apparatet i ca. 10 minutter inden første brug for, at brænde produktionsrester af. Sørg for god ventilation. Apparatet vil muligvis ryge og lugte en smule, når det tænder det første gang. Dette er normalt og går hurtigt væk.

Bemærk: Risten skal altid burges med silikonefødderne på. Dette stabiliserer resten i kurven under tilberedningen.

ANVENDELSE

1. Placer apparatet på en flad, stabil og varmebestandig overflade.
2. Da apparatet bliver varmt under brug, skal du sørge for, at det ikke er for tæt på andre genstande.
3. Brug kurvens håndtag, når den tages ud af apparatet. Put risten i kurven.
4. Put ingredienserne i kurven. (Kurven må ikke fyldes op over MAX-mærket på dens inderside.) Sæt kurven i apparatet. Sørg for, at den sidder rigtigt, og er helt lukket.
Forsigtig: Kurven må ikke fyldes med olie eller andre væsker. Undgå, at røre ved kurven under brug og i et stykke tid efter brug, da den bliver meget varm. Hold kun i kurvens håndtag.

5. Slut stikket til en passende stikkontakt. Apparatet er nu på standby. Tryk på standby-knappen , hvorefter alle ikoner vises i på betjeningspanelet.
6. Tryk på knap 1, og brug derefter på menuknapperne til at vælge tilberedningsfunktionen og justere tiden og temperaturen til kurv 1. Brug "+" og "-" til, at justere tiden (1 minut for hvert tryk) og temperaturen (10 grader for hvert tryk). Knapperne "+" og "-" kan holdes nede, for hurtigere indstilling.
7. Tryk på knap 2, og brug derefter menuknapperne til at vælge tilberedningsfunktionen og justere tiden og temperaturen til kurv 2.
8. Tryk på pause/start-knappen, hvorefter apparatet starter. Kurven med den korteste driftstid er færdig først.
9. Når tilberedningen er færdig, stopper apparatet og siger en biplyd. Apparatet kan også slukkes manuelt, ved at trykke på knappen .
Programmet kan sætte på pause under drift ved, at trykke på pauseknappen. Tryk på knappen igen for, at starte programmet igen.
10. Brug kurvens håndtag, når den tages ud af apparatet. Se, om ingredienser er tilberedt. Hvis ikke, skal du blot sættes kurven tilbage i apparatet. Vælg menuen for at indstille temperaturen og føje et par ekstra minutter til timeren. Tryk derefter på pause/start-knappen for, at starte apparatet igen. BEMÆRK: Under tilberedelsen er det også muligt, at trække kurven ud, for at se til og ryste ingredienserne.
11. Når ingredienser med olie, såsom oksekød, kylling, kød, tilberedes, samles olien for nedenunder i kurven under tilberedelsen. Tag derefter fødevarerne ud med en tang.
Når ingredienser uden olie, såsom kartofler, grøntsager, samles der ikke noget olie for nedenunder i kurven, så kurven kan vendes på hovedet, for at hælde ingredienserne ud.
Bemærk: Kurven og ingredienserne er varme efter tilberedningen. Der kan komme varmt damp ud af panden, afhængig af hvilke ingredienser, der tilberedes.
12. Når tilberedelsen er færdig, er apparatet klar til at tilberede andre ingredienser, hvis nødvendigt.


Synkroniseret afslutning

- 1) Tryk på knappen »SYNC FINISH«, hvorefter ikonet blinker.
- 2) Tryk på knap 1 for, at indstille et tilberedningsprogram til kurv 1;
- 3) Tryk på knap 2 for, at indstille et tilberedningsprogram til kurv 2.
- 4) Tryk på pause/start-knappen. Zonen med den længste driftstid starter først. Derefter starter en anden zone med mindre driftstid. Begge zoner stopper på samme tid.

Dobbelt tilberedningsfunktion

- 1) Tryk på knappen »DUAL COOK«, og brug derefter menuknapperne til at vælge tilberedningsfunktionen og justere tiden og temperaturen til begge zoner. De kører på det samme program.
- 2) Tryk på pause/start-knappen, hvorefter apparatet starter.

Forvarmningsfunktion

Tryk på knappen , og brug derefter "+" og "-" til, at justere temperaturen (50°C til 200°C) og tiden (1 til 60 minutter) til forvarmningen.

Bemærk:

- 1) Menuknapperne og timer- og temperaturknapperne kan kun justeres, når knap 1, knap 2 eller dobbelt tilberedningsknappen blinker.
- 2) Ved tilberedning af små portioner kan du nøjes med, at bruge én kurv. Vælg et program til kurven, og tryk derefter på pause/start-knappen.
- 3) Hvis du tilbereder mad i begge zoner, skal tilberedningstiden være længere.

TIPS TIL STEGNING

1. Den optimale mængde til sprøde pommes frites er 450-600 gram.
2. Læg 3 minutter til tilberedningstiden, hvis apparatet er koldt, eller forvarm apparatet, uden ingredienser i.
3. Nogle ingredienser skal rystes halvvejs gennem tilberedningen. For at ryste og vende ingredienserne, skal du trække kurven ud af apparatet i dens håndtag, ryst kurven og vend ingredienserne med en gaffel (eller tang). Sæt derefter kurven i apparatet igen.
4. Du kan også bruges din Smart Fryer til, at varme ingredienser igen. For at varme ingredienser igen, skal du sætte temperaturen til 150 °C i op til 10 minutter.
5. Produkter med skorpe af tørre brødkrummer bliver sprødere, ved at smøre dem med lidt vegetabilsk olie.
6. Læg en bageplade eller et ovntallerken i apparatet, hvis du vil bage en kage eller quiche eller andre skrøbelige ingredienser.
7. Tilbered ikke meget fedtholdige ingredienser i apparatet, såsom pølser.

FORSIGTIG:

1. Apparatets kabinet må ikke nedsænkes i vand eller skylles under vandhanen.
2. Undgå, at væske trænger ind i apparatet, så du undgår elektrisk stød og kortslutning.
3. Hold alle ingredienser i kurven, så de ikke kommer i kontakt med varmeelementerne.
4. Luftind- og udtage må ikke tildækkes under brug. Sørg for, at der er mindst 10 cm fri plads rundt om og over apparatet.
5. Hvis kurven fyldes med olie, kan det føre til brand!
6. Rør ikke apparatet indvendigt, når det er i brug.
7. Pas også på varmt damp og luft, når kurven tages ud af apparatet.
8. Der kommer varmt damp ud af luftudtaget under brug. Hold hænder og ansigt sikkert væk fra dampen og luftudtaget.
9. Sluk straks apparatet og træk stikket ud af stikkontakten, hvis du ser mørk røg komme ud af apparatet, hvilket betyder at fødevarerne er brændt på eller apparatet er gået i stykker.

TABEL OVER STEGETIDER OG TEMPERATUR

Hvis vejledningerne på produktpakken ikke passer med værdierne i denne tabel, skal vejledningerne på pakken følges. Hvis apparatet er koldt, skal du føje 3 minutter til tilberedningstiden, før du begynder at tilberede maden.

Ingrediens	Mængde pr. zone (g)	Tem. (°C)	Tid (min.)		Yderligere oplysninger
			En zone	To zoner	
Gulerødder	450	200	13-16	25-30	Tilsæt 1 spsk olie
Grønne bønner	350	200	8-10	10-15	Tilsæt 1 spsk olie
Champignoner	250	200	7-9	13-15	Tilsæt 1 spsk olie
Rejer	450	180	7-10	10-13	Tilsæt 1 spsk olie
Bøffer	250	180	10-20	14-28	Smurt med olie
pommes frites	450	200	15-22	28-32	
Kyllingebryst	300	200	22-24	25-28	Smurt med olie
Svinekoteletter	250	200	14-17	17-25	Smurt med olie
Kyllingenuggets	350	200	10-13	18-21	
Pizza-ruller	550	200	12-15	15-18	
Løggringe	300	190	13-16	18-22	

RENGØRING OG VEDLIGEHOLDELSE

1. Inden apparatet håndteres eller rengøres, skal det køle ned i ca. 30 minutter. Rengør regelmæssigt apparatet både indvendigt og udvendigt.
2. Rengør apparatet indvendigt og udvendigt med en fugtig klud, og tør af med en blød, ren klud.
3. Brug aldrig slibende rengøringsmidler eller svampe.

4. Fjern kurven, så apparatet hurtigere kan køle ned. Rengør kurven og risten i varmt vand med opvaskemiddel, og en ikke-slibende svamp. Tør god inden brug.
5. Rengør varmeelementet i kabinettet (du kan se det, når du tager kurven ud) med en rengøringsbørste, for at fjerne madrester.

Bemærk: Kurvene og tilberedningsristerne kan vaskes i opvaskemaskinen.

FEJLFINDING

Problem	Mulig årsag	Løsning
Apparatet virker ikke.	Apparatet er ikke tilsluttet.	Slut stikket til en jordforbundet stikkontakt.
	Du har ikke trykket på pause/start-knappen på apparatet.	Tryk på knappen for, at tænde apparatet.
Ingredienserne tilberedes ikke helt.	Der er for mange fødevarer i kurven.	Put færre fødevarer i kurven. Mindre mængder tilberedes mere jævnt.
	Temperaturen er for lav eller tilberedningstiden er ikke lang nok.	Tryk på "+" for, at justere temperaturen eller forlænge tilberedelsestiden.
Ingredienserne tilberedes ujævnt.	Nogle fødevarer skal rystes halvvejs gennem tilberedningen.	Ryst fødevarerne halvvejs gennem tilberedelsen.
Stegte snacks er ikke sprøde	Du har brugt fødevarer, der skal frituresteges.	Brug fødevarer til ovnen, eller smør dem med lidt olie, så de bliver mere sprøde.
Der kommer hvidt røg ud af apparatet.	Du tilbereder olieholdige ingredienser.	Vær opmærksom på, at temperaturen skal være under 180°C, når du tilbereder fedtede ingredienser i luftfrituregryden.
	Der er olierester på panden fra forrige tilberedning.	Rengør panden ordentligt efter hvert brug.
Friske pommes frites steges ujævnt.	Du bruger de forkerte kartofler.	Brug friske kartofler og sørg for, at de forbliver faste under tilberedningen.
	Dine pommes frites er ikke blevet skyllet inden tilberedningen.	Skyl dine pommes frites ordentligt, så du fjerner stivelsen på ydersiden.
Friske pommes frites er ikke sprøde	Hvor sprøde dine pommes frites bliver, afhænger af mængden af olie og vand i dem.	Sørg for, at dine pommes frites er ordentlig tørre, før du tilføjer olien.
		Skær dine pommes frites i smaller stykker, hvis du ønsker dem mere sprøde.
		Tilføj lidt mere olie, hvis de skal være mere sprøde.

TEKNISKE DATA

Driftsspænding: 230V~ 50Hz-60Hz

Strømforbrug: 2400W

GARANTI OG KUNDESERVICE

Før vores apparater leveres, undergår de en streng kvalitetskontrol. Skulle du på trods af al vores umagen modtage et produkt med en skade fra fremstilling eller transport, bedes du levere det tilbage til din forhandler. Vi giver 2 års garanti på det købte produkt, begyndende på salgsdagen. Hvis du har et defekt produkt, kan du henvende dig direkte ved salgsstedet.

Denne garanti dækker ikke defekter som opstår som konsekvens af forkert håndtering eller fejl som følge af manipulation og reparationer udført af tredjeparter, eller montering af ikke-originale dele. Gem altid din kvittering, da du uden kvitteringen ikke kan gøre krav på nogen form for garanti. Skader som opstår fordi brugervejledningen ikke følges, medfører at garantien bortfalder, og hvis dette har efterfølgende skader, er vi ikke ansvarlige på nogen måde. Vi kan heller ikke holdes ansvarlige for materielle eller personskade forårsaget af forkert brug, hvis brugervejledningen ikke følges korrekt. Skade på tilbehør betyder ikke at hele apparatet bliver erstattet. I sådanne tilfælde bedes du rette henvendelse til vores serviceafdeling. Brud på glas og plastdele erstattes altid mod betaling. Defekter på forbrugsartikler eller dele som er udsat for slidtage, samt rengøring, vedligeholdelse eller erstatning af disse dele er ikke dækket af garantien, og der bliver opkrævet betaling for sådanne tjenester.



Symbolet med en overstreget skraldespand betyder, at dette produkt ikke må bortskaffes sammen med almindeligt husholdningsaffald. Elektronisk og elektrisk udstyr, der ikke bortskaffes på en miljøvenlig måde, er potentielt farligt for miljøet og menneskers sundhed på grund af deres farlige stoffer. Produktet skal bortskaffes på en ansvarlig måde på et godkendt affalds- eller genbrugsanlæg.