

**EMERIO®**

**AF-129084**

**AF-129084.1**



**Smart Fryer**

**(EN)**

**(DE)**

**(FR)**

**(SE)**

**(NL)**

**(PL)**

**(ES)**

**(LV)**

**(LT)**

**(EE)**

**CE**

Content – Inhalt – Teneur – Innehåll – Inhoud – Treść – Contenido –  
Saturis – Turinys – Sisukord

Instruction manual – English .....	- 2 -
Bedienungsanleitung – German .....	- 8 -
Mode d’emploi – French .....	- 15 -
Bruksanvisning – Swedish .....	- 22 -
Gebruiksaanwijzing – Dutch .....	- 29 -
Instrukcja obsługi – Polish .....	- 36 -
Manual de Instrucciones – Spanish .....	- 43 -
Instrukciju rokasgrāmata – Latvian.....	- 49 -
Instrukcijų vadovas – Lithuanian .....	- 55 -
Kasutusjuhend – Estonian .....	- 61 -

## Instruction manual – English

### SAFETY INSTRUCTIONS

Before use make sure to read all of the below instructions in order to avoid injury or damage, and to get the best results from the appliance. Make sure to keep this manual in a safe place. If you give or transfer this appliance to someone else make sure to also include this manual.

In case of damage caused by user failing to follow the instructions in this manual the warranty will be void. The manufacturer/importer accepts no liability for damages caused by failure to follow the manual, a negligent use or use not in accordance with the requirements of this manual.

1. This appliance can be used by children aged from 8 years and above and persons with reduced physical, sensory or mental capabilities or lack of experience and knowledge if they have been given supervision or instruction concerning use of the appliance in a safe way and understand the hazards involved.
2. Children shall not play with the appliance.
3. Cleaning and user maintenance shall not be made by children unless they are older than 8 and supervised.
4. Keep the appliance and its cord out of reach of children less than 8 years.
5. If the supply cord is damaged, it must be replaced by the manufacturer, its service agent or similarly qualified persons in order to avoid a hazard.
6. Regarding the instructions for cleaning the surfaces which come in contact with food or oil, please refer to the paragraph "CLEANING AND MAINTENANCE" of the manual.
7. This appliance is intended to be used in household and similar applications such as: staff kitchen areas in shops, offices and other working environments; farm houses; by clients in hotels, motels and other residential type environments; bed and breakfast type environments.
8. This appliance is not intended to be operated by means of an external timer or separate remote-control system.
9. Before inserting the plug into the mains socket, please check that the voltage and frequency comply with the specifications on the rating label.
10. Disconnect the mains plug from the socket when the appliance is not in use and before cleaning.
11. If an extension cord is used it must be suited to the power consumption of the appliance, otherwise overheating of the extension cord and/or plug may occur. There is a potential risk of injuries from tripping over the extension cord. Be careful to avoid dangerous situations.
12. Ensure that the mains cable is not hung over sharp edges and keep it away from hot objects and open flames.
13. Do not immerse the appliance or the mains plug in water or other liquids. There is danger to life due to electric shock!
14. To remove the plug from the plug socket, pull the plug. Do not pull the power cord.
15. Do not touch the appliance if it falls into water. Remove the plug from its socket, turn off the appliance and send it to an authorized service center for repair.
16. Do not plug or unplug the appliance from the electrical outlet with a wet hand.
17. Never attempt to open the housing of the appliance, or to repair the appliance yourself. This could cause electric shock.
18. Never leave the appliance unattended during use.
19. This appliance is not designed for commercial use.
20. Do not use the appliance for other than intended use.
21. Do not wind the cord around the appliance and do not bend it.
22. Place the appliance on a stable, level surface from which it cannot fall off.
23. Please prevent the product to be exposed to excessive dirt and humidity.
24. Clean the product itself with a slightly damp cloth.

25. Do not operate the machine without supervision, if you should leave the workplace, always switch the machine off or remove the plug from socket (pull the plug itself, not the lead).
26. Do not place the appliance against a wall or against other appliance. Leave at least 10cm free space on the back and sides and above the appliance.
27. During hot air frying, hot steam is released through the air outlet openings. Keep your hands and face at a safe distance from the steam and from the air outlet openings. Also be careful of hot steam and air when you remove the pan from the appliance.
28. Immediately unplug the appliance if you see dark smoke coming out of the appliance. Wait for the smoke emission to stop before you remove the pan from the appliance.
29. Make sure before each use of the appliance that the heating element and surroundings are clean and clear from any food remainders in order to ensure a flawless function.
- 30.

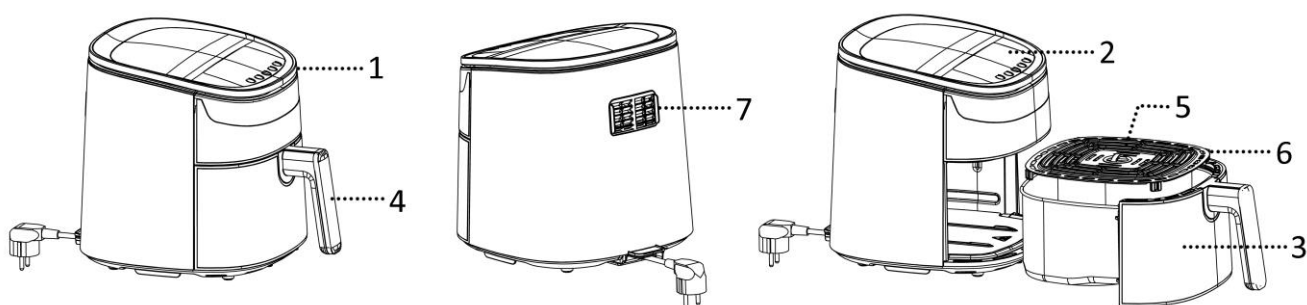


Caution, hot surface.

**WARNING!!** Please do not touch surface while in use. The temperature of accessible surfaces may be high when the appliance is operating.

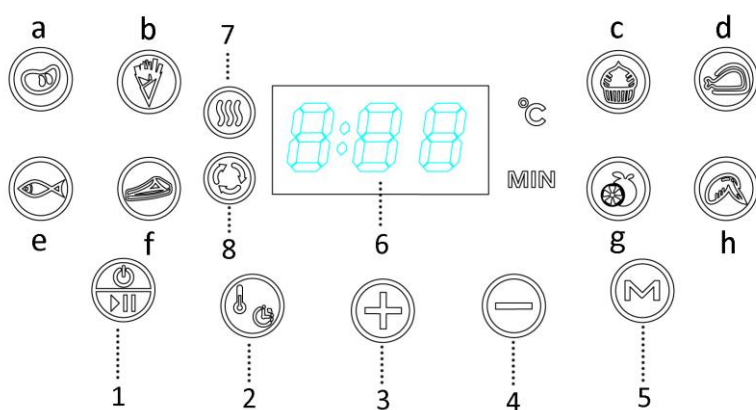
31. Hot air comes out of the air vent at the back side of the appliance. Be sure to keep sufficient distance to materials, like glass, that are sensitive to heat.
32. If you use products with non-stick surfaces, please make sure no birds are in the same room and that the room can be completely closed off and well-ventilated.
33. Always remove baking paper from the basket after use and before/ during preheating without food.

## PARTS DESCRIPTION



1. Air inlet
2. Control panel and display
3. Basket
4. Basket handle
5. Frying grill
6. Silicone feet
7. Air outlet

## Control panel and display



1. Power/start/stop button
2. Temperature/time setting button
3. Temperature/time increase button
4. Temperature/time decrease button
5. Menu selection button
6. Display screen
7. Heating indicator
8. Fan indicator

### Menu:

- a). meat, b). chips, c). cake, d). chicken leg,  
e). fish, f). Steak, g). dry fruit, h). chicken wing

## MENU INTRODUCTION

Ingredient	Default temperature	Suggested cooking time	Food flipping	Adjustable temperature	Adjustable time
Meat	200 °C	15 minutes	Yes	80 °C – 200 °C	1-60 minutes
Chips	200 °C	20 minutes	Yes	80 °C – 200 °C	1-60 minutes
Cake	160 °C	15 minutes		80 °C – 200 °C	1-60 minutes
Chicken leg	200 °C	20 minutes	Yes	80 °C – 200 °C	1-60 minutes
Fish	180 °C	20 minutes	Yes	80 °C – 200 °C	1-60 minutes
Steak	200 °C	10 minutes	Yes	80 °C – 200 °C	1-60 minutes
Dry fruit	60 °C	4 hours		60 °C – 80 °C	2-9 hours
Chicken wing	200 °C	15 minutes	Yes	80 °C – 200 °C	1-60 minutes

**Note:** If the instructions on the product pack should deviate from the values shown in this table, the instructions on the pack should be followed.

## BEFORE USE

First read all instructions before use and retain the manual for later reference. Only plug this appliance into an earthed socket. Before first use, remove the packing materials. Clean the basket and frying grill. (See “CLEANING AND MAINTENANCE”) Wipe inside and outside of the appliance with a soft cloth. Make sure that the electrical parts remain dry. **This appliance heats food at all directions and most of the ingredients do not need any oil.**

Operate the appliance before first use for approximately 10 minutes in order to burn off production residues. Make sure there is good ventilation. The appliance may emit some smoke and a characteristic smell when you switch it on for the first time. This is normal and will stop soon.

**Note:** Always use the frying grill with the silicone feet attached. They will help to stabilize the frying grill in the basket during cooking.

## USE

1. Place the appliance on a dry, stable and heat-resistant surface.
2. Since the appliance becomes hot during use, make sure that it is not too close to other objects.
3. Pull out the basket from the appliance by the basket handle. Put the frying grill into the basket.
4. Place the ingredients into the basket. Slide the basket into the appliance. Make sure they are placed correctly and closed completely. Otherwise the appliance will not work. Caution: Do not touch the basket during use or after use in short time as it gets very hot. Only hold the basket by the handle.
5. Connect the power plug to a suitable outlet. The machine is now standby.
6. Press the power/start/stop button once to activate other buttons and indicators. Press the temperature/time setting button and then “+” or “-” to set your desired temperature (80 °C – 200 °C) and time (1 – 60 minutes) for the ingredients. Long pressing “+” or “-” can fast adjust the value. When the display flashes on the screen, the value can be adjusted; when the display becomes still, the value is settled.
7. You can also press the menu selection button to directly choose the cooking functions. If you wish to adjust the time and temperature manually, follow the step 6 above. Note that the dry fruit function has adjustable temperature from 60 °C to 80 °C and adjustable time from 2 to 9 hours, other functions have the adjustable range same as the manual settings.
8. Press the power/start/stop button again; the machine starts working. When the appliance is heating, the heating indicator lights up. When the inner fan is working, the fan indicator lights up. These indicators light on and off automatically according to the program control during the whole process.
9. When the whole cooking process is finished, the appliance will automatically stop and beep sounds are sent out. You can also manually stop the appliance by pressing the power/start/stop button: short pressing will make the appliance pause; long pressing will end the cooking process and turn the appliance into standby. The screen flashes with “0:00” and the fan runs for a few seconds before the appliance enters standby.
10. Pull out the basket from the appliance by the basket handle. Check if the ingredients are ready. If not, simply slide the basket back into the appliance. Set the temperature and the timer to a few extra minutes. Then press the power/start/stop button to run the machine again. NOTE: You can also pull out the basket to check and shake the ingredients during cooking process. When you slide back the basket, the machine will continue to work with the selected setting.
11. Empty the basket, putting the food into a bowl or onto a plate. To remove large or fragile ingredients, lift the ingredients out of the basket by a pair of tongs.  
To remove ingredients (e.g. beef, chicken, meat) with original oil and excess oil from ingredients collected on the bottom of the basket, please use tongs to pick ingredients one by one.  
To remove ingredients (e.g. chips, vegetable) with no excess oil collected on the bottom of the basket during frying, please pull out the basket, and pour ingredients to tableware.
12. After the cooking is done, the appliance is instantly ready for preparing another batch of ingredients if needed.

## FRYING TIPS

1. The optimal amount for crispy fries is 500 grams.
2. Add 3 more minutes to the preparation time when the appliance is cold, or you can also let the appliance preheat approx. 4 minutes without any ingredients inside.

3. Some ingredients require shaking halfway through the cooking time. To shake or turn over the ingredients, pull the basket out of the appliance by the handle and shake it or turn over the ingredients by fork (or tongs). Then slide the basket back into the appliance.
4. Products with crust of dry breadcrumbs will get crispier by spraying them with a little vegetable oil.
5. Place a baking tin or an oven dish in the appliance if you want to bake a cake or quiche or other fragile ingredients.
6. Do not prepare extremely greasy ingredients such as sausages in the appliance.

**CAUTION:**

1. Do not immerse the housing in water or rinse it under the tap.
2. Avoid any liquid entering the appliance to prevent from electric shock or short circuit.
3. Keep all ingredients in the basket to prevent any contact with heating elements.
4. Do not cover the air inlet and the outlet when the appliance is working. Leave at least 10cm free space around and above the appliance.
5. Filling the basket with oil may cause a fire hazard!
6. Do not touch the inside of the appliance when it is in operation.
7. Be careful of the hot steam and air when you remove the basket from the appliance.
8. During operation, hot steam is released through the air outlet. Keep your hands and face at a safe distance from the steam and the air outlet.
9. Immediately turn off and unplug the appliance if you see any dark smoke coming out of the appliance, which means the food is overcooked or the appliance broke down.

**CLEANING AND MAINTENANCE**

1. Before handling or cleaning the appliance, let it cool down for approximately 30 minutes. Clean the appliance on all the inside and outside regularly.
2. Clean the outside and inside of the appliance with a damp cloth and dry with a soft, clean cloth.
3. Never use abrasive cleaners or sponges.
4. Remove the basket to let the appliance cool down more quickly. Clean the basket and frying grill in warm water with a washing liquid and a non-abrasive sponge. Dry well before use.
5. Clean the heating element inside of the housing (You can see it after pulling out the basket) with a cleaning brush to remove any food residue.

Note: The basket and frying grill are dishwasher safe.

**TROUBLE SHOOTING**

<b>Problem</b>	<b>Possible cause</b>	<b>Solution</b>
<b>The appliance does not work.</b>	The appliance is not plugged in.	Put the mains plug in an earthed wall socket.
	You have not pressed the power/start/stop button to turn on the appliance.	Press the power/start/stop button to turn on the appliance.
<b>The ingredients are not fried completely.</b>	The amount of the food in the basket is too high.	Put smaller batches of ingredients in the basket. Smaller batches are fired more evenly.
	The temperature is too low or the time is not enough.	Increase the temperature or cook for more time.
<b>The ingredients are fried unevenly.</b>	Different types of food may need to be shaken halfway during cooking.	Shake food halfway during the cooking time.
<b>Fried snacks are not crispy</b>	You used a type of snacks which shall be cooked in a traditional deep fryer.	Use oven snacks or lightly brush some oil onto the snacks for a crispier result.
<b>White smoke comes out from</b>	You are preparing greasy ingredients.	When you fry greasy ingredients, oil will leak into the basket. The oil produces white

<b>the appliance.</b>		smoke and the basket may heat up. This does not affect the cooking result or hurt the appliance.
	The basket still contains grease residue from previous use.	Clean the basket properly after each use.
<b>Fresh fries are fried unevenly.</b>	You haven't used the right potato type.	Use fresh potatoes.
	You haven't rinsed the potato sticks properly before frying.	Rinse the potato sticks properly to remove starch from the outside of the sticks.
<b>Fresh fries are not crispy.</b>	The crispiness of the fries depends on the amount of oil and water in the fries.	Make sure the potato sticks have been dried properly before adding the oil.
		Cut the potato sticks smaller for a crispier result.
		Add slightly more oil for a crispier result.

#### TECHNICAL DATA

Operating voltage: 220-240V ~ 50-60Hz

Power: 1300W

#### GUARANTEE AND CUSTOMER SERVICE

Before delivery our devices are subjected to rigorous quality control. If, despite all care, damage has occurred during production or transportation, please return the device to your dealer.

For the purchased device we provide 2 years guarantee, commencing from the day of sale. If you have a defective product, you can directly go back to the point of purchase.

Defects which arise due to improper handling of the device and malfunctions due to interventions and repairs by third parties or the fitting of non-original parts are not covered by this guarantee. Always keep your receipt, without the receipt you can't claim any form of warranty. Damage caused by not following the instruction manual, will lead to a void of warranty, if this results in consequential damages then we will not be liable. Neither can we hold responsible for material damage or personal injury caused by improper use if the instruction manual is not properly executed. Damage to accessories does not mean free replacement of the whole appliance. In such case please contact our service department. Broken glass or breakage of plastic parts is always subject to a charge. Defects to consumables or parts subjected to wearing, as well as cleaning, maintenance or the replacement of said parts are not covered by the warranty and are to be paid.

#### ENVIRONMENT FRIENDLY DISPOSAL



Recycling – European Directive 2012/19/EU

This marking indicates that this product should not be disposed with other household wastes. To prevent possible harm to the environment or human health from uncontrolled waste disposal, recycle it responsibly to promote the sustainable reuse of material resources. To return your used device, please use the return and collection systems or contact the retailer where the product was

purchased. They can take this product for environmental safe recycling.

Emerio B.V.  
Oudeweg 115  
2031 CC Haarlem  
The Netherlands

**Customer service:**  
T: +31 (0) 23 3034369  
[www.emerio.eu/service](http://www.emerio.eu/service)

**Kundeninformation:**  
T: +49 (0) 3222 1097 600  
[www.emerio.eu/service](http://www.emerio.eu/service)

**Klantenservice:**  
T: +31 (0) 23 3034369  
[www.emerio.eu/service](http://www.emerio.eu/service)

Looking for spare parts? Have a look at <https://spareparts.emerio.eu>

Sie brauchen Ersatzteile? Besuchen Sie <https://ersatzteile.emerio.eu>

Onderdelen nodig? Kijk op <https://onderdelen.emerio.eu>



## Bedienungsanleitung – German

### SICHERHEITSHINWEISE

Lesen Sie vor dem Gebrauch unbedingt die nachfolgenden Anleitungen, um Verletzungen oder Beschädigungen zu vermeiden und das beste Ergebnis mit dem Gerät zu erzielen. Bewahren Sie diese Bedienungsanleitung an einem sicheren Ort auf. Wenn Sie dieses Gerät an eine andere Person weitergeben, stellen Sie sicher, dass Sie auch diese Bedienungsanleitung aushändigen.

Im Falle von Beschädigungen, die durch die Missachtung der Anleitungen in dieser Bedienungsanleitung verursacht wurden, wird die Garantie ungültig. Der Hersteller/Importeur haftet nicht für Schäden, die durch Missachtung der Bedienungsanleitung, fahrlässigen Gebrauch oder Benutzung, die nicht in Übereinstimmung mit den Anforderungen dieser Bedienungsanleitung erfolgt, verursacht wurden.

1. Dieses Gerät kann von Kindern ab 8 Jahren und Personen mit eingeschränkten körperlichen, sensorischen oder geistigen Fähigkeiten oder mangelnder Erfahrung und Kenntnis benutzt werden, wenn sie beaufsichtigt werden oder in die sichere Benutzung des Gerätes unterwiesen werden und die damit verbundenen Gefahren verstehen.
2. Kinder dürfen nicht mit dem Gerät spielen.
3. Die Reinigung und vom Benutzer auszuführende Wartungsarbeiten sollten nicht von Kindern durchgeführt werden; es sei denn, sie sind älter als 8 Jahre und werden beaufsichtigt.
4. Halten Sie das Gerät und sein Netzkabel außer Reichweite von Kindern unter 8 Jahren.
5. Wenn das Netzkabel beschädigt ist, muss es vom Hersteller, seinem Kundendienst oder einer ähnlich qualifizierten Person ausgewechselt werden, um Gefahren zu vermeiden.
6. Um Informationen zur Reinigung der Flächen zu erhalten, die mit Lebensmitteln oder Öl in Berührung kommen, lesen Sie bitte den Abschnitt „REINIGUNG UND INSTANDHALTUNG“ in der Bedienungsanleitung.
7. Dieses Gerät ist für die Verwendung im Haushalt oder für ähnliche Anwendungen vorgesehen, wie: in Personalküchen von Geschäften, Büros und anderen Arbeitsumgebungen; auf Bauernhöfen; von Kunden in Hotels, Motels und in anderen Unterkünften; in Unterkünften mit Halbpension.
8. Dieses Gerät ist nicht für die Bedienung über einen externen Timer oder ein separates Fernbedienungssystem bestimmt.
9. Bevor Sie den Stecker mit der Netzsteckdose verbinden, prüfen Sie bitte, ob die Spannung und die Frequenz mit den Angaben auf dem Typenschild übereinstimmen.
10. Ziehen Sie den Netzstecker aus der Steckdose, wenn das Gerät nicht benutzt und bevor es gereinigt wird.
11. Falls ein Verlängerungskabel verwendet wird, muss es für den Stromverbrauch des Gerätes geeignet sein, sonst kann es zum Überhitzen des Verlängerungskabels und/oder des Steckers kommen. Es besteht Verletzungsgefahr durch Stolpern über das Verlängerungskabel. Lassen Sie Vorsicht walten, um gefährliche Situationen zu vermeiden.
12. Achten Sie darauf, dass das Netzkabel nicht über scharfe Kanten hängt und halten Sie es von heißen Objekten und offenen Flammen fern.
13. Tauchen Sie das Gerät oder den Netzstecker nicht in Wasser oder andere Flüssigkeiten. Es besteht Lebensgefahr aufgrund von Stromschlag!
14. Um den Stecker aus der Steckdose zu entfernen, ziehen Sie am Stecker. Ziehen Sie nicht am Kabel.
15. Berühren Sie das Gerät nicht, wenn es ins Wasser gefallen ist. Ziehen Sie den Stecker aus der Steckdose, schalten Sie das Gerät aus und schicken Sie es an einen autorisierten Kundendienst zwecks Reparatur.
16. Den Netzstecker des Gerätes nicht mit einer nassen Hand aus der Steckdose ziehen oder mit der Steckdose verbinden.
17. Versuchen Sie unter keinen Umständen, das Gehäuse des Gerätes zu öffnen oder das Gerät selbst zu reparieren. Dies könnte einen Stromschlag verursachen.
18. Lassen Sie das Gerät während des Gebrauchs niemals unbeaufsichtigt.

19. Dieses Gerät ist nicht für den gewerblichen Gebrauch konzipiert.
20. Verwenden Sie das Gerät nur zu seinem bestimmungsgemäßen Zweck.
21. Wickeln Sie das Kabel nicht um das Gerät und knicken Sie es nicht.
22. Stellen Sie das Gerät auf eine stabile, ebene Fläche, von der es nicht herunterfallen kann.
23. Bitte schützen Sie das Produkt vor übermäßiger Verschmutzung und Feuchtigkeit.
24. Reinigen Sie das Produkt selbst mit einem leicht angefeuchteten Tuch.
25. Lassen Sie das Gerät nicht unbeaufsichtigt laufen. Wenn Sie den Arbeitsplatz verlassen, schalten Sie das Gerät immer aus oder ziehen Sie den Stecker aus der Steckdose (ziehen Sie direkt am Stecker, nicht am Kabel).
26. Das Gerät nicht an eine Wand oder ein anderes Gerät stellen. Lassen Sie mindestens 10 cm Platz an Rückseite, Seiten und über dem Gerät.
27. Beim Frittieren mit Heißluft entweicht heißer Dampf durch die Luftaustrittsöffnungen. Halten Sie Ihre Hände und Ihr Gesicht in einem sicheren Abstand zum Dampf und zu den Luftaustrittsöffnungen. Nehmen Sie sich auch vor heißem Dampf und heißer Luft in Acht, wenn Sie den Behälter aus dem Gerät entfernen.
28. Ziehen Sie sofort den Stecker des Gerätes aus der Steckdose, wenn Sie dunklen Rauch aus dem Gerät kommen sehen. Warten Sie, bis kein Rauch mehr zu sehen ist, bevor Sie den Behälter aus dem Gerät nehmen.
29. Vergewissern Sie sich vor jedem Gebrauch des Gerätes, dass das Heizelement und die Umgebung sauber und frei von Speiseresten sind, um eine einwandfreie Funktion zu gewährleisten.
- 30.

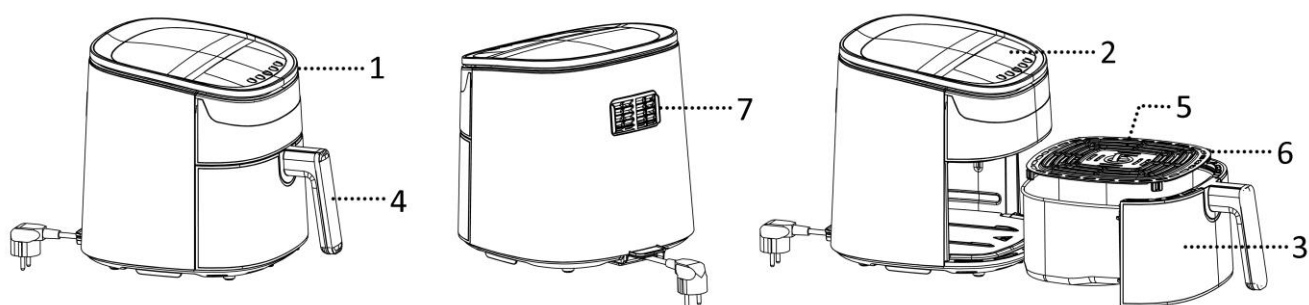


Vorsicht – heiße oberfläche

WARNUNG!! Bitte berühren Sie während des Gebrauchs nicht die Oberfläche. Die Temperatur der zugänglichen Oberflächen kann sehr hoch sein, wenn das Gerät in Betrieb ist.

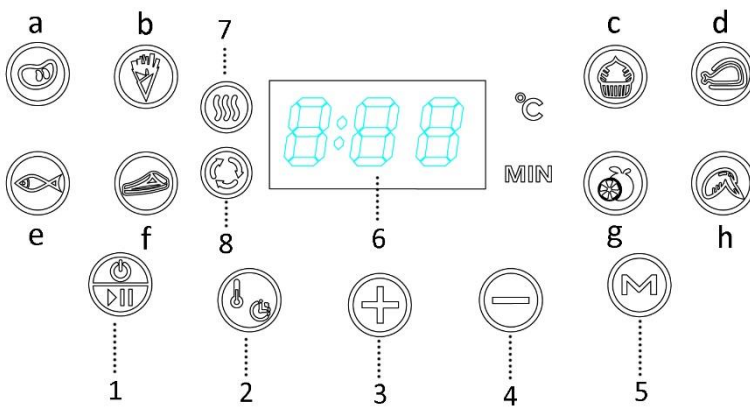
31. Aus dem Lüftungsschlitz an der Rückseite des Gerätes kommt heiße Luft. Achten Sie darauf, ausreichend Abstand zu Material, das hitzeempfindlich ist, wie zum Beispiel Glas, einzuhalten.
32. Wenn Sie Produkte mit Antihafbeschichtung benutzen, stellen Sie bitte sicher, dass sich keine Vögel im gleichen Zimmer befinden und dass das Zimmer komplett geschlossen und gut belüftet werden kann.
33. Backpapier immer nach dem Gebrauch und bevor/während des Vorheizens ohne Lebensmittel.

## TEILEBESCHREIBUNG



1. Lufteinlass
2. Bedienfeld und Display
3. Korb
4. Korbgriff
5. Bratrost
6. Silikonfüße
7. Luftauslass

## Bedienfeld und Display



1. Betriebs-/Start-/Stopptaste
2. Einstelltaste für Temperatur/Zeit
3. Taste zum Erhöhen der Temperatur/Zeit
4. Taste zum Verringern der Temperatur/Zeit
5. Menüauswahl
6. Display
7. Heizanzeige
8. Ventilatoranzeige

### Menü:

- a). Fleisch b). Pommes frites c). Kuchen d). Hähnchenschenkel  
 e). Fisch f). Steak g). Trockenobst h). Hähnchenflügel

## BESCHREIBUNG DES MENÜS

Zutat	Standardtemperatur	Empfohlene Garzeit	Speisen wenden	Einstellbare Temperatur	Einstellbare Garzeit
Fleisch	200 °C	15 Minuten	Ja	80 °C – 200 °C	1-60 Minuten
Pommes frites	200 °C	20 Minuten	Ja	80 °C – 200 °C	1-60 Minuten
Kuchen	160 °C	15 Minuten		80 °C – 200 °C	1-60 Minuten
Hähnchenschenkel	200 °C	20 Minuten	Ja	80 °C – 200 °C	1-60 Minuten
Fisch	180 °C	20 Minuten	Ja	80 °C – 200 °C	1-60 Minuten
Steak	200 °C	10 Minuten	Ja	80 °C – 200 °C	1-60 Minuten
Trockenobst	60 °C	4 Stunden.		60 °C – 80 °C	2-9 Stunden.
Hähnchenflügel	200 °C	15 Minuten	Ja	80 °C – 200 °C	1-60 Minuten

**Hinweis:** Falls die Anweisungen auf der Produktverpackung von den Angaben in dieser Tabelle abweichen, sollten die Anweisungen auf der Verpackung befolgt werden.

## VOR DEM GEBRAUCH

Lesen Sie vor Gebrauch zuerst alle Anweisungen durch und bewahren Sie diese für späteres Nachschlagen auf. Schließen Sie dieses Gerät ausschließlich an eine geerdete Steckdose an. Entfernen Sie vor der Erstinutzung das Verpackungsmaterial. Frittierkorb und Bratrost reinigen. (siehe "REINIGUNG UND INSTANDHALTUNG"). Reinigen Sie das Gerät innen und außen mit einem weichen Tuch. Achten Sie hierbei darauf, dass die

elektrischen Bauteile trocken bleiben. **Dieses Gerät erhitzt Lebensmittel vollständig und für die meisten Zutaten kann auf eine Hinzugabe von Öl verzichtet werden.**

Betreiben Sie das Gerät vor der erstmaligen Nutzung für ca. 10 Minuten, um evtl. Produktionsrückstände zu verbrennen. Achten Sie auf eine gute Belüftung. Nach dem ersten Einschalten kann das Gerät etwas Rauch und einen charakteristischen Geruch absondern. Das ist normal und vergeht nach relativ kurzer Zeit wieder.

**Hinweis:** Benutzen Sie den Bratrost immer mit den Silikonfüßen. Sie stabilisieren den Bratrost während des Garvorgangs im Frittierkorb.

## GEBRAUCH

1. Stellen Sie das Gerät auf eine trockene, feste und hitzebeständige Fläche.
2. Das Gerät wird während des Gebrauchs heiß; stellen Sie es daher nicht in die unmittelbare Nähe anderer Objekte.
3. Ziehen Sie den Frittierkorb am Frittierkorbgriff aus dem Gerät. Stellen Sie den Bratrost in den Frittierkorb.
4. Speisen in den Frittierkorb geben. Frittierkorb in das Gerät schieben. Achten Sie darauf, dass der Korb korrekt eingesetzt und das Gerät komplett geschlossen ist. Andernfalls wird das Gerät nicht funktionieren. Vorsicht: Berühren Sie den Frittierkorb nicht während des Betriebs oder kurz nach dem Betrieb, da er sehr heiß wird. Fassen Sie den Frittierkorb nur am Griff an.
5. Schließen Sie den Netzstecker an eine geeignete Steckdose an. Das Gerät ist jetzt im Standby-Betrieb.
6. Drücken Sie die Betriebs-/Start-/Stopptaste einmal, um die anderen Tasten und die Anzeigen zu aktivieren. Drücken Sie die Einstelltaste für Temperatur/Zeit und dann „+“ oder „-“, um die gewünschte Temperatur (80 °C – 200 °C) und Garzeit (1- 60 Minuten) für die Zutaten einzustellen. Wenn Sie „+“ oder „-“ länger gedrückt halten, können Sie den Wert schneller einstellen. Wenn die Anzeige auf dem Bildschirm blinkt, kann der Wert eingestellt werden; wenn die Anzeige stetig leuchtet, ist der Wert eingestellt.
7. Sie können auch die Menüauswahl taste drücken, um direkt aus den Garprogrammen. Wenn Sie die Garzeit und Temperatur manuell einstellen möchten, folgen Sie wie oben beschrieben Schritt 6. Beachten Sie, dass für das Trockenobstprogramm die Temperatur von 60 °C bis 80 °C und die Garzeit von 2 bis 9 Stunden eingestellt werden kann. Der einstellbare Bereich für die anderen Programme ist der gleiche wie für die manuellen Einstellungen.
8. Drücken Sie die Betriebs-/Start-/Stopptaste erneut. Das Gerät startet nun den Garvorgang. Wenn das Gerät aufheizt, leuchtet die Heizanzeige. Wenn der Ventilator im Gerät läuft, leuchtet die Ventilatoranzeige auf. Diese Anzeigen schalten sich automatisch je nach Programm während des gesamten Garvorgangs ein und aus.
9. Wenn der gesamte Garvorgang beendet ist, stoppt das Gerät automatisch und erzeugt akustische Signale. Sie können das Gerät auch manuell stoppen, indem Sie die Betriebs-/Start-/Stopptaste drücken: Durch kurzes Drücken wird das Gerät gestoppt; langes Drücken beendet den Garvorgang und schaltet das Gerät in den Standby-Modus. Auf dem Display blinkt „0:00“ und der Ventilator arbeitet einige Sekunden weiter, bevor das Gerät in den Standby-Modus geht.
10. Ziehen Sie den Korb am Frittierkorbgriff aus dem Gerät. Prüfen Sie, ob die Speisen gar sind. Falls nicht, schieben Sie den Korb wieder in das Gerät. Stellen Sie die Temperatur wieder ein und wählen Sie zusätzliche Garminuten vor. Drücken Sie anschließend die Betriebs-/Start-/Stopptaste, um das Gerät erneut einzuschalten. HINWEIS: Während der Zubereitung können Sie auch den Korb herausziehen, um den Zustand zu prüfen und dabei die Zutaten zu schütteln. Wenn Sie den Korb wieder einschieben, setzt das Gerät den Garvorgang mit den gewählten Einstellungen fort.
11. Leeren Sie den Einsatz und legen Sie die Speisen in eine Schüssel oder auf einen Teller. Nehmen Sie große oder zerbrechliche Zutaten mithilfe einer Zange aus dem Einsatz.  
Nehmen Sie solche Speisen wie z. B. Rindfleisch, Huhn, andere Fleischsorten oder fetthaltige Speisen (das überschüssige Fett der Speisen sammelt sich auf dem Boden des Frittierkorbs) bitte einzeln mit einer Zange heraus.  
Ziehen Sie zum Herausnehmen von solchen Speisen wie z.B. Pommes frites, Gemüse oder nicht fetthaltige Zutaten den Frittierkorb heraus und geben Sie die Speisen auf das Geschirr.

12. Nach beendetem Garen ist das Gerät sofort für die Zubereitung einer weiteren Zutatenportion bereit.

### FRITTIERTIPPS

1. Die optimale Menge für knusprige Pommes frites ist 500 Gramm.
2. Verlängern Sie die Zubereitungszeit um 3 Minuten, wenn das Gerät kalt ist, oder heizen Sie das leere Gerät ungefähr 4 Minuten lang vor.
3. Manche Speisen müssen nach der Hälfte der Garzeit geschüttelt werden. Um die Speisen zu schütteln oder umzudrehen, ziehen Sie den Frittierkorb am Griff aus dem Gerät und schütteln Sie ihn oder drehen Sie die Speisen mit einer Gabel (oder Zange) um. Schieben Sie dann den Frittierkorb zurück ins Gerät.
4. Panierte Speisen werden knuspriger, wenn sie mit etwas Pflanzenöl eingesprüht werden.
5. Stellen Sie eine Backform oder eine Auflaufform in das Gerät, wenn Sie einen Kuchen, eine Quiche oder andere mürbe Speisen backen möchten.
6. Bereiten Sie keine extrem fettigen Speisen, wie zum Beispiel Würstchen, in dem Gerät zu.

### VORSICHT:

1. Tauchen Sie das Gehäuse nicht ins Wasser und spülen Sie es nicht unter dem Wasserhahn ab.
2. Vermeiden Sie das Eindringen von Flüssigkeiten in das Gerät, um einen Stromschlag oder Kurzschluss zu verhindern.
3. Geben Sie die Zutaten ausschließlich in den Einsatz und vermeiden Sie so, dass die Zutaten in Kontakt mit den Heizelementen kommen.
4. Der Luftein- und -auslass darf während der Betriebszeit des Geräts nicht abgedeckt werden. Lassen Sie mindestens 10 cm Platz rund um und über dem Gerät.
5. Es besteht die Gefahr eines Feuers, wenn der Frittiereinsatz mit Öl gefüllt wird!
6. Berühren Sie nicht die Innenseite des Gerätes, wenn es läuft.
7. Vorsicht mit heißem Dampf und heißer Luft, wenn der Einsatz aus dem Gerät genommen wird.
8. Während des Betriebs strömt heißer Dampf aus dem Luftauslass. Halten Sie mit Händen und Gesicht einen sicheren Abstand zum Luftauslass und Dampf.
9. Schalten Sie das Gerät sofort aus und ziehen Sie den Gerätestecker aus der Steckdose, wenn Sie dunklen Rauch aus dem Gerät quellen sehen. Das bedeutet, dass die Speisen verbrannt sind oder das Fehlfunktionen auftreten.

### REINIGUNG UND INSTANDHALTUNG

1. Lassen Sie das Gerät für ca. 30 Minuten abkühlen, bevor Sie es anfassen oder säubern. Reinigen Sie das Gerät regelmäßig von innen und außen.
2. Säubern Sie die Außen- und Innenseite des Geräts mit einem feuchten Tuch und reiben Sie es mit einem weichen, sauberen Tuch trocken.
3. Keinesfalls scheuernde Reiniger oder Schwämme verwenden.
4. Entnehmen Sie den Korb, damit das Gerät schneller abkühlt. Reinigen Sie den Korb und den Bratrost mit warmem Wasser und einem nicht scheuernden Schwamm. Trocknen Sie vor dem Gebrauch alle Elemente gründlich.
5. Etwaige Speisereste vom Heizelement im Gehäuse (wird nach der Entnahme des Frittierkorbs sichtbar) mit einer Reinigungsbürste entfernen.

Hinweis: Der Korb und der Bratrost sind spülmaschinenfest.

### FEHLERBEHEBUNG

Problem	Mögliche Ursache	Lösung
Das Gerät funktioniert nicht.	Das Gerät ist nicht am Strom angeschlossen.	Den Netzstecker an eine geerdete Wand-Steckdose anschließen.
	Sie haben die Ein-/Start-/Stopp-Taste nicht gedrückt, um das Gerät	Drücken Sie die Ein-/Start-/Stopp-Taste, um das Gerät einzuschalten.

	einzuschalten.	
<b>Die Zutaten sind nicht durchgegart.</b>	Die Menge der Lebensmittel im Frittierereinsatz ist zu groß.	Fügen Sie kleinere Mengen an Zutaten in den Einsatz. Kleinere Mengen werden gleichmäßiger frittiert.
	Die Temperatur ist zu niedrig oder die Zeit zu kurz eingestellt.	Temperatur erhöhen oder Garvorgang verlängern.
<b>Die Zutaten sind ungleichmäßig frittiert.</b>	Verschiedene Lebensmittelarten müssen in der Hälfte der Zubereitungszeit geschüttelt werden.	Schütteln Sie die Lebensmittel während der Hälfte der Zubereitungszeit.
<b>Die gebratenen Snacks sind nicht knusprig.</b>	Sie haben eine Art Snacks benutzt, die in einer traditionellen Fritteuse frittiert werden sollten.	Verwenden Sie Ofen-Snacks oder streichen Sie ein bisschen Öl auf die Snacks für ein knusprigeres Resultat.
<b>Aus dem Gerät steigt weißer Rauch.</b>	Sie bereiten fettige Zutaten zu.	Beim Frittieren von fettigen Lebensmitteln, tropft Fett in den Frittierkorb. Das Fett erzeugt weißen Rauch und der Behälter kann sich erhitzen. Das Garergebnis wird dadurch nicht beeinträchtigt und das Gerät bleibt unversehrt.
	Der Korb enthält noch Fettreste vom vorherigen Gebrauch.	Den Korb nach jedem Gebrauch reinigen.
<b>Frische Pommes Fritten sind ungleichmäßig frittiert.</b>	Sie haben nicht die richtige Kartoffelsorte verwendet.	Frische Kartoffeln verwenden.
	Sie haben die Kartoffelstäbchen vor dem Frittieren nicht gründlich abgespült.	Spülen Sie die Kartoffelstäbchen richtig ab, um Stärke von der Außenseite der Stäbchen zu entfernen.
<b>Frische Pommes sind nicht knusprig.</b>	Die Knusprigkeit der Pommes hängt vom Gehalt an Öl und Wasser in den Pommes ab.	Achten Sie darauf, dass die Kartoffelstäbchen richtig abgetrocknet wurden, bevor Sie Öl hinzufügen.
		Schneiden Sie die Kartoffelstückchen kleiner für ein knusprigeres Resultat.
		Fügen Sie für ein knusprigeres Resultat etwas mehr Öl hinzu.

## TECHNISCHE DATEN

Betriebsspannung: 220-240V ~ 50-60Hz

Leistung: 1300W

## GEWÄHRLEISTUNG UND KUNDENSERVICE

Vor der Lieferung werden unsere Geräte einer strengen Qualitätskontrolle unterzogen. Wenn, trotz aller Sorgfalt, während der Produktion oder dem Transport Beschädigungen aufgetreten sind, senden Sie das Gerät zurück an den Händler.

Wir bieten eine 2-Jahres-Gewährleistung für das erworbene Gerät, beginnend am Tag des Verkaufs. Wenn Sie ein defektes Produkt haben, nehmen Sie bitte direkt Kontakt mit dem Verkäufer auf.

Defekte, die aufgrund von unangemessenem Umgang mit dem Gerät entstehen und Störungen aufgrund von Eingriffen und Reparaturen Dritter oder das Montieren von nicht-Originalteilen werden nicht von dieser Gewährleistung abgedeckt. Die Quittung immer aufbewahren, ohne Quittung wird jegliche Gewährleistung

ausgeschlossen. Bei Schäden durch Nichteinhalten der Bedienungsanleitung erlischt die Gewährleistung, Wir sind für daraus resultierende Folgeschäden nicht haftbar. Für Materialschäden oder Verletzungen aufgrund falscher Anwendung oder Nichtbefolgen der Sicherheitshinweise sind wir nicht haftbar. Schäden an den Zubehörteilen bedeutet nicht, dass das gesamte Gerät kostenlos ausgetauscht wird. In diesem Fall kontaktieren Sie unsere Kundendienst. Zerbrochenes Glas oder Kunststoffteile sind immer kostenpflichtig. Schäden an Verbrauchsmaterialien oder Verschleißteilen, sowie Reinigung, Wartung oder Austausch der besagten Teile werden durch die Gewährleistung nicht abgedeckt und sind deshalb kostenpflichtig.

#### UMWELTGERECHTE ENTSORGUNG



Wiederverwertung – Europäischen Richtlinie 2012/19/EG

Dieses Symbol zeigt an, dass das Produkt nicht zusammen mit Haushaltsabfällen entsorgt werden darf. Um Umwelt- und Gesundheitsschäden durch unkontrollierte Abfallentsorgung zu verhindern,

■ bitte verantwortungsbewusst entsorgen, um die nachhaltige Wiederverwertung von Ressourcen zu fördern. Nutzen Sie zur Rückgabe Ihres Altgeräts bitte die Rückgabe- und Sammelsysteme oder wenden Sie sich an den Händler bei dem Sie dieses Gerät erworben haben. Dieser kann das Gerät umweltschonend entsorgen.

Emerio B.V.  
Oudeweg 115  
2031 CC Haarlem  
The Netherlands

**Customer service:**  
T: +31 (0) 23 3034369  
[www.emerio.eu/service](http://www.emerio.eu/service)

**Kundeninformation:**  
T: +49 (0) 3222 1097 600  
[www.emerio.eu/service](http://www.emerio.eu/service)

**Klantenservice:**  
T: +31 (0) 23 3034369  
[www.emerio.eu/service](http://www.emerio.eu/service)

Looking for spare parts? Have a look at <https://spareparts.emerio.eu>

Sie brauchen Ersatzteile? Besuchen Sie <https://ersatzteile.emerio.eu>

Onderdelen nodig? Kijk op <https://onderdelen.emerio.eu>

## Mode d'emploi – French

### CONSIGNES DE SÉCURITÉ

Avant d'utiliser l'appareil, lisez toutes les consignes suivantes pour éviter des blessures et des dommages, et pour optimiser les performances de votre appareil. Conservez cette notice d'utilisation dans un endroit sûr. Si vous donnez ou transférez cet appareil à un tiers, veillez à lui remettre également cette notice d'utilisation.

En cas de détérioration due au non-respect par l'utilisateur des instructions de cette notice d'utilisation, la garantie est annulée. Le fabricant/importateur rejette toute responsabilité en cas de dommages dus au non-respect des instructions de la notice d'utilisation, à un usage négligent ou à l'usage non conforme aux exigences de cette notice d'utilisation.

1. Cet appareil peut être utilisé par des enfants à partir de 8 ans et plus et par des personnes ayant des capacités physiques, sensorielles ou mentales réduites ou un manque d'expérience et de connaissances à condition qu'elles aient reçu une supervision ou des instructions concernant l'utilisation de l'appareil en toute sécurité et qu'elles comprennent les dangers encourus.
2. Les enfants ne doivent pas jouer avec l'appareil.
3. Le nettoyage et l'entretien par l'utilisateur ne doivent pas être effectués par des enfants, sauf s'ils ont plus de 8 ans et qu'ils sont surveillés.
4. Maintenir l'appareil et son cordon hors de portée des enfants de moins de 8 ans.
5. Si le câble d'alimentation est endommagé, il doit être remplacé par le fabricant, son service après-vente ou des personnes de qualification similaire afin d'éviter un danger.
6. Pour obtenir des instructions sur comment nettoyer les surfaces qui sont en contact avec des aliments ou de l'huile, reportez-vous au paragraphe « NETTOYAGE ET ENTRETIEN » du mode d'emploi.
7. Cet appareil est destiné à être utilisé dans des applications domestiques et analogues telles que: des coins cuisines réservés au personnel dans des magasins, bureaux et autres environnements professionnels; des fermes; l'utilisation par les clients des hôtels, motels et autres environnements à caractère résidentiel; des environnements du type chambres d'hôtes.
8. Les appareils ne sont pas destinés à être mis en fonctionnement au moyen d'une minuterie extérieure ou par un système de commande à distance séparé.
9. Avant d'insérer la fiche de l'appareil dans une prise secteur, vérifiez que la tension et la fréquence du secteur correspondent aux spécifications indiquées sur la plaque signalétique.
10. Débranchez la fiche électrique de la prise électrique quand l'appareil n'est pas utilisé et avant de le nettoyer.
11. Si vous utilisez une rallonge électrique, elle doit être appropriée à la puissance consommée par l'appareil, sinon la rallonge et/ou la fiche risquent de chauffer excessivement. Il existe un risque potentiel de blessures par trébuchement sur le cordon électrique. Prenez vos précautions pour éviter toute situation dangereuse.
12. Veillez à ce que le cordon d'alimentation ne pende pas sur des arêtes coupantes et maintenez-le éloigné des objets chauds et des flammes nues.
13. N'immergez jamais l'appareil ou sa fiche dans de l'eau ni dans aucun autre liquide. Cela peut provoquer un choc électrique !
14. Pour débrancher la fiche de la prise, saisissez la fiche et tirez-la hors de la prise. Ne tirez pas sur le cordon d'alimentation.
15. Ne touchez pas l'appareil s'il tombe dans de l'eau. Débranchez la fiche de la prise électrique, éteignez l'appareil et rapportez-le au centre de réparation agréé pour le faire réparer.
16. Ne branchez pas et ne débranchez pas l'appareil de la prise électrique avec les mains mouillées.
17. N'essayez pas d'ouvrir le boîtier de l'appareil ni de réparer l'appareil vous-même. Cela peut provoquer un choc électrique.



18. Ne laissez jamais l'appareil sans surveillance quand il est en fonctionnement.
19. Cet appareil n'est pas conçu pour un usage commercial.
20. N'utilisez pas cet appareil à un usage autre que celui pour lequel il a été conçu.
21. N'enroulez pas le cordon d'alimentation autour de l'appareil et ne le pliez pas.
22. Placez l'appareil sur une surface horizontale et stable, de laquelle il ne peut pas tomber.
23. Veillez à ce que l'appareil ne soit pas exposé à une humidité ou des saletés excessives.
24. Nettoyez le produit avec un chiffon légèrement humidifié.
25. N'utilisez pas l'appareil sans le surveiller. Si vous devez quitter la zone d'utilisation, éteignez toujours l'appareil et débranchez toujours sa fiche de la prise électrique (saisissez et tirez la fiche, et non le cordon d'alimentation).
26. N'installez pas l'appareil contre un mur ou contre un autre appareil. Laissez un espace d'au moins 10 cm à l'arrière, sur les côtés et au-dessus de l'appareil.
27. Cette friteuse à air chaud dégage de la vapeur brûlante par ses ouvertures de sortie d'air lorsqu'elle fonctionne. N'approchez pas vos mains ou votre visage des jets de vapeur brûlants des sorties d'air. De même, faites attention à ne pas vous brûler avec l'air et la vapeur brûlants lorsque vous retirez le panier de l'appareil.
28. Si l'appareil dégage de la fumée noire, débranchez-le immédiatement. Attendez que la fumée s'arrête avant de retirer le panier de l'appareil.
29. Avant chaque utilisation de l'appareil, vérifiez que l'élément chauffant et la zone l'entourant sont propres et exempts de tout résidu alimentaire afin de garantir un fonctionnement parfait.

30.

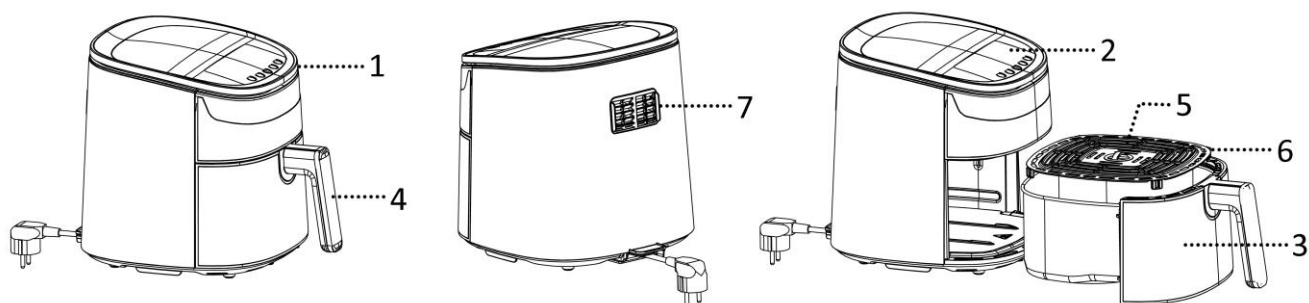


Attention, surface chaude.

Avertissement!! Veuillez ne pas toucher la surface pendant l'utilisation. La température des surfaces accessibles peut être élevée lorsque l'appareil est en fonctionnement.

31. De l'air chaud sort de la bouche d'aération située à l'arrière de l'appareil. Veillez à maintenir une distance suffisante des matériaux, tels que le verre, qui sont sensibles à la chaleur.
32. Si vous utilisez des produits antiadhésifs, veillez à ce qu'il n'y ait aucun oiseau dans la pièce et à ce que la pièce soit complètement fermée et bien aérée.
33. Retirez toujours le papier de cuisson du panier après l'utilisation et avant / pendant le préchauffage sans aliments.

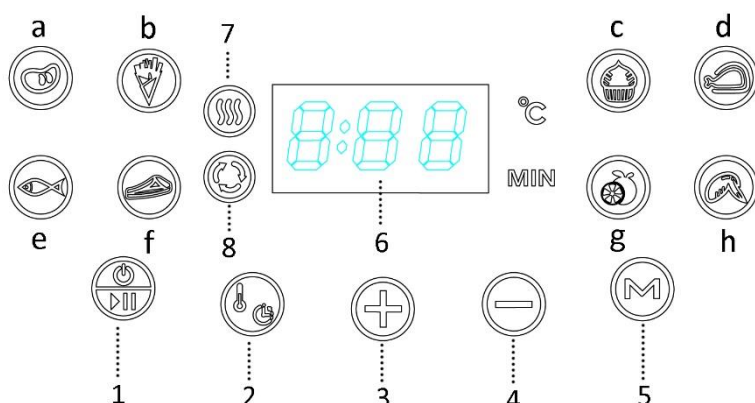
## DESCRIPTION DES COMPOSANTS



1. Entrée d'air
2. Panneau de commande et affichage
3. Panier
4. Poignée du panier

5. Grille de friture
6. Pieds en silicone
7. Sortie d'air

### Panneau de commande et affichage



1. Bouton d'alimentation / démarrage / arrêt
2. Bouton de réglage de la température et de la durée
3. Bouton d'augmentation de la température et de l'heure
4. Bouton de diminution de la température et de l'heure
5. Bouton de sélection des menus
6. Écran d'affichage
7. Indicateur de chauffage
8. Indicateur du ventilateur

#### Menu :

- a). viande, b). frites, c). gâteau, d). cuisson de poulet,  
e). poisson, f). Steak, g). fruits secs, h). aile de poulet

### INTRODUCTION AU MENU

Ingrédient	Température par défaut (° C)	Temps de cuisson suggéré	Retournement des aliments	Température réglable	Temps réglable
Viande	200 °C	15 minutes	Oui	80 °C – 200 °C	1-60 minutes
Frites	200 °C	20 minutes	Oui	80 °C – 200 °C	1-60 minutes
Gâteau	160 °C	15 minutes		80 °C – 200 °C	1-60 minutes
Cuisson de poulet	200 °C	20 minutes	Oui	80 °C – 200 °C	1-60 minutes
Poisson	180 °C	20 minutes	Oui	80 °C – 200 °C	1-60 minutes
Steak	200 °C	10 minutes	Oui	80 °C – 200 °C	1-60 minutes
Fruit sec	60 °C	4 heures		60 °C – 80 °C	2-9 heures
Aile de poulet	200 °C	15 minutes	Oui	80 °C – 200 °C	1-60 minutes

**Remarque :** Si les instructions sur l'emballage du produit s'écartent des valeurs indiquées dans ce tableau, les instructions sur l'emballage doivent être suivies.

## AVANT TOUTE UTILISATION

Lisez les instructions dans leur intégralité, et conservez-les pour référence future. Utiliser cet appareil avec une prise équipée d'une mise à la terre seulement. Avant la première utilisation, retirez tous les éléments d'emballage. Nettoyez le panier et la grille de cuisson. (Voir « NETTOYAGE ET ENTRETIEN »). Essuyez l'intérieur et l'extérieur de l'appareil avec un tissu doux. Veillez à ne pas mouiller les composants électriques. **L'appareil fait chauffer les aliments de manière homogène, et une grande majorité d'ingrédients ne nécessitent aucune addition d'huile.**

Faites fonctionner la machine à puissance moyenne pendant 10 environ avant la première utilisation pour brûler les résidus de fabrication. Veillez à faire cela dans un lieu correctement aéré. Lorsque l'appareil chauffe pour la première fois, ce dernier pourrait émettre une légère fumée et une légère odeur. Ceci est normal et ne durera pas.

**Remarque :** Utilisez toujours la grille de cuisson avec les pieds en silicone attachés. Ils aident à stabiliser la grille dans le panier pendant la cuisson.

## UTILISATION

1. Posez l'appareil sur une surface sèche, stable et thermorésistante.
2. L'appareil chauffe pendant son fonctionnement, ne pas le positionner à proximité d'autres objets inflammables.
3. Sortez le panier de l'appareil en saisissant la poignée du panier. Placez la grille de cuisson dans le panier.
4. Mettez les ingrédients dans le panier. Insérez le panier dans l'appareil. Vérifiez qu'ils sont correctement positionnés et complètement fermés. Sinon l'appareil ne fonctionnera pas. Attention : Ne touchez pas le panier pendant l'utilisation ou peu après l'utilisation, car il devient très chaud. Saisissez le panier exclusivement par sa poignée.
5. Connectez la fiche de l'appareil à une prise électrique appropriée. La machine est maintenant en mode de veille.
6. Appuyez une fois sur le bouton d'alimentation / démarrage / arrêt pour activer les autres boutons et indicateurs. Appuyez sur le bouton de réglage de la température/de la durée, puis sur « + » ou « - » pour régler la température (80 °C - 200 °C) et la durée (1 - 60 minutes) souhaitées pour les ingrédients. Une pression longue sur « + » ou « - » permet de régler rapidement la valeur. Lorsque l'affichage clignote à l'écran, la valeur peut être ajustée ; lorsque l'affichage devient immobile, la valeur est réglée.
7. Vous pouvez également appuyer sur la touche de sélection du menu pour choisir directement les fonctions de cuisson. Si vous souhaitez régler la durée et la température manuellement, suivez l'étape 6 ci-dessus. Notez que la fonction fruits secs a une température réglable de 60 °C à 80 °C et une durée réglable de 2 à 9 heures, les autres fonctions ont la même plage de réglage que les réglages manuels.
8. Appuyer à nouveau sur le bouton alimentation / démarrage / arrêt; la machine se met en marche. Lorsque l'appareil chauffe, l'indicateur de chauffage s'allume. Lorsque le ventilateur intérieur fonctionne, l'indicateur du ventilateur s'allume. Ces indicateurs s'allument et s'éteignent automatiquement en fonction de la commande du programme pendant toute la durée du processus.
9. Lorsque le processus de cuisson est terminé, l'appareil s'arrête automatiquement et des bips sonores sont émis. Vous pouvez également arrêter manuellement l'appareil en appuyant sur le bouton marche/arrêt/start : une pression courte mettra l'appareil en pause ; une pression longue mettra fin au processus de cuisson et mettra l'appareil en veille. L'écran affiche « 0:00 » en clignotant et le ventilateur fonctionne pendant quelques secondes avant que l'appareil ne se mette en veille.
10. Retirez le panier de l'appareil en utilisant la poignée du panier. Vérifiez si les aliments sont cuits. Si ce n'est pas le cas, replongez simplement le panier dans l'appareil. Réglez la température et le temps de cuisson en ajoutant quelques minutes supplémentaires. Appuyez ensuite sur le bouton puissance/démarrage/arrêt pour remettre la machine en marche. REMARQUE : Vous pouvez également

retirer le panier afin de contrôler les aliments à mi-cuisson et pour les mélanger. Lorsque vous replongez le panier, l'appareil continue de fonctionner avec les réglages sélectionnés.

11. Videz le panier, mettez les aliments dans un bol ou sur une assiette. Pour retirer les ingrédients fragiles ou grands, soulevez-les hors du panier avec une pince.  
Pour retirer les ingrédients tels que le bœuf, le poulet, la viande et les ingrédients naturellement gras (dont le gras en excès est collecté au fond du panier), utilisez des pinces et saisissez-les un par un.  
Pour retirer les ingrédients tels que les légumes et les ingrédients non gras, sortez le panier et versez les ingrédients dans un plat.
12. L'appareil peut immédiatement être utilisé pour frire un second lot d'aliments si désiré.

### **CONSEILS DE CUISSON**

1. La quantité optimale de frites à frire à la fois est de 500 grammes.
2. Ajoutez 3 minutes de plus à la durée de la préparation quand l'appareil est froid ou vous pouvez aussi laisser l'appareil préchauffer pendant 4 minutes environ sans ingrédient à l'intérieur.
3. Certains ingrédients nécessitent d'être secoués à mi-cuisson. Pour secouer ou retourner les ingrédients, tirez le panier hors de l'appareil en saisissant sa poignée et secouez-le ou retournez les ingrédients avec une fourchette (ou une pince). Puis réinsérez le panier dans l'appareil.
4. Les aliments recouverts de panure deviendront plus croquants si vous les recouvrez d'une petite quantité d'huile végétale.
5. Placez un moule ou un plat de four dans l'appareil si vous voulez cuire un gâteau, une quiche ou d'autres préparations fragiles.
6. Ne préparez pas d'ingrédients extrêmement gras (par exemple des saucisses) dans l'appareil.

### **ATTENTION**

1. Ne pas immerger l'appareil ou le rincer sous le robinet.
2. Ne pas verser d'eau à l'intérieur de l'appareil, pour éviter les risques de choc électrique ou de court-circuit.
3. Veiller à ce que les aliments ne débordent pas du panier, pour éviter tout contact avec les éléments chauffants.
4. Ne pas bloquer l'entrée ni la sortie d'air lorsque l'appareil est en fonctionnement. Laissez un espace vide de 10 cm autour et au-dessus de l'appareil.
5. Remplir le panier avec de l'huile peut provoquer un incendie !
6. Ne touchez pas l'intérieur de l'appareil quand il est en fonctionnement.
7. L'appareil peut laisser échapper de l'air très chaud à son ouverture.
8. De l'air chaud est relâché par la sortie d'air pendant le fonctionnement. Veillez à ne pas approcher ni vos mains ni votre visage de l'appareil en fonctionnement.
9. Éteignez et débranchez immédiatement l'appareil si vous voyez de la fumée noire sortir de l'appareil, car cela indique que les ingrédients sont trop cuits ou que l'appareil est en panne.

### **NETTOYAGE ET ENTRETIEN**

1. Attendez 30 minutes pour permettre à l'appareil de refroidir avant de le manipuler ou de le nettoyer. Nettoyez les surfaces internes et externes de l'appareil régulièrement.
2. Nettoyez les surfaces internes et externes de l'appareil avec un chiffon humide, puis séchez-les avec un chiffon sec et doux.
3. Ne jamais utiliser de nettoyeurs ni d'éponges abrasifs.
4. Retirez le panier pour permettre à l'appareil de refroidir plus rapidement. Nettoyez le panier et la grille de friture dans de l'eau tiède avec un produit de lavage et une éponge non abrasive. Séchez-les bien avant de les réutiliser.
5. Nettoyez l'élément chauffant dans le boîtier (vous pouvez le voir après avoir sorti le panier) avec une brosse de nettoyage pour enlever les résidus alimentaires.

Remarque : Le panier et la grille de friture peuvent être lavés au lave-vaisselle.

## DÉPANNAGE

Problème	Cause possible	Solution
<b>L'appareil ne fonctionne pas.</b>	L'appareil n'est pas branché.	Branchez le cordon d'alimentation à une prise murale avec mise à la terre.
	Vous n'avez pas appuyé sur le bouton d'alimentation pour mettre l'appareil en marche.	Appuyez sur le bouton d'alimentation pour mettre l'appareil en marche.
<b>Les ingrédients ne sont pas correctement frits.</b>	La quantité d'aliments dans le panier est trop élevée.	Cuisez les aliments en plus petites quantités. Une plus petite quantité permet d'assurer une cuisson plus homogène.
	La température est trop basse ou le temps de cuisson trop court.	Augmentez la température ou cuisez plusieurs fois.
<b>Les ingrédients sont frits de manière irrégulière.</b>	Certains aliments doivent être mélangés au milieu du temps de cuisson.	Mélangez les aliments au milieu du temps de cuisson.
<b>Les aliments frits ne sont pas croustillants</b>	Vous avez utilisé un type d'aliment qui doit être cuit dans une friteuse traditionnelle.	Utilisez des snacks pour four ou brossez un peu d'huile sur les aliments pour obtenir un résultat plus croustillant
<b>L'appareil émet de la fumée blanche.</b>	Les aliments que vous préparez sont riches en graisse.	Lorsque vous faites frire des ingrédients gras, de l'huile s'écoule sur le panier. L'huile produit une fumée blanche et le récipient peut chauffer. Cela n'a pas d'effet sur le résultat de la cuisson ou n'endommage pas l'appareil.
	Le panier contient toujours des résidus de graisse provenant d'une utilisation précédente.	Nettoyez correctement le panier après chaque utilisation.
<b>Les frites fraîches sont cuites inégalement</b>	Vous n'avez pas utilisé le bon type de pommes de terre.	Utilisez des pommes de terre fraîches.
	Vous n'avez pas correctement rincé les bâtonnets de pommes de terre avant de les faire frire.	Rincez correctement les frites pour enlever l'amidon de leur surface.
<b>Les frites ne sont pas croustillantes</b>	La texture des frites dépend de la quantité d'huile et d'eau dans les frites	Assurez-vous que les frites ont été séchées correctement avant d'ajouter l'huile.
		Coupez les pommes de terre de façon à obtenir des frites plus minces pour un résultat plus croustillant
		Ajoutez un peu plus d'huile pour que les frites soient bien croustillantes

## DONNÉES TECHNIQUES

Tension de fonctionnement: 220-240V ~ 50-60Hz

Puissance: 1300W

## GARANTIE ET SERVICE APRÈS-VENTE

Nos appareils sont soumis à un contrôle de qualité strict avant d'être livrés. Si l'appareil a toutefois été endommagé lors de la production ou du transport en dépit des soins que nous lui donnons, retournez l'appareil au vendeur.

Nous offrons une garantie de 2 ans pour l'appareil acheté à partir de la date de vente. En cas de produit défectueux, vous pouvez retourner directement au point de vente.

Les défauts dus à une utilisation non conforme de l'appareil et les dommages dus à une intervention ou réparation faite par une tierce personne ou dus à l'installation de pièces qui ne sont pas d'origine ne sont pas couverts par cette garantie. Conservez toujours votre reçu, car sans celui-ci vous ne pourrez réclamer aucune sorte de garantie. Les dommages causés par le non respect des instructions de ce manuel rendront la garantie caduque, nous déclinons toute responsabilité en cas de dommages indirects. Nous déclinons toute responsabilité en cas de dégâts matériels ou de dommages corporels causés par une utilisation inappropriée ou si les instructions de sécurité n'ont pas été convenablement observées. Si les accessoires sont endommagés, cela ne signifie pas que toute la machine sera remplacée gratuitement. Dans de tels cas, veuillez contacter notre assistance. Des pièces brisées en verre ou en plastique sont toujours sujettes à des frais. Les défauts des consommables ou des pièces susceptibles de s'user, ainsi que le nettoyage, l'entretien ou la réparation desdites pièces ne sont pas couverts par la garantie et doivent donc être payés.

## APPAREIL RESPECTUEUX DE L'ENVIRONNEMENT



Recyclage – Directive européenne 2012/19/EU

Ce symbole indique que le produit ne doit pas être jeté avec les ordures ménagères. Pour limiter les risques pour l'environnement et la santé entraînés par le rejet non contrôlé des déchets, recyclez ce dernier pour promouvoir une réutilisation responsable de ses matériaux. Pour recycler votre produit, utilisez les réseaux de collecte de votre région ou prenez contact avec le revendeur

du produit. Ce dernier pourra vous aider à le recycler.

Emerio Deutschland GmbH (no service address)

Emerio B.V.

Oudeweg 115

2031 CC Haarlem

The Netherlands

**Customer service:**

T: +31 (0) 23 3034369

[www.emerio.eu/service](http://www.emerio.eu/service)

**Kundeninformation:**

T: +49 (0) 3222 1097 600

[www.emerio.eu/service](http://www.emerio.eu/service)

**Klantenservice:**

T: +31 (0) 23 3034369

[www.emerio.eu/service](http://www.emerio.eu/service)

Looking for spare parts? Have a look at <https://spareparts.emerio.eu>

Sie brauchen Ersatzteile? Besuchen Sie <https://ersatzteile.emerio.eu>

Onderdelen nodig? Kijk op <https://onderdelen.emerio.eu>

## Bruksanvisning – Swedish

### SÄKERHETSANVISNINGAR

Före användning och för att erhålla bästa resultat från apparaten, var noga med att läsa igenom alla instruktioner nedan för att undvika skada på person eller egendom. Se till att förvara denna bruksanvisning på en säker plats. Om du ger bort eller överlåter denna apparat till någon, se till att även inkludera denna bruksanvisning.

Vid skador som orsakats av att användaren inte följer instruktionerna i denna bruksanvisning ogiltighetsförklaras garantin. Tillverkaren/importören tar inget ansvar för skador som orsakats av underlåtenhet att följa bruksanvisningen, vid en vårdslös användning eller användning som inte är i enlighet med kraven i denna bruksanvisning.

1. Denna apparat kan användas av barn från 8 år och uppåt, samt av personer med nedsatt fysisk, sensorisk eller mental förmåga eller av personer som saknar erfarenhet och kunskap under förutsättning att de övervakas eller mottagit instruktioner för säker användning av apparaten och förstår riskerna.
2. Barn får inte leka med apparaten.
3. Rengöring och underhåll får inte utföras av barn såvida de inte är äldre än 8 år och övervakas.
4. Håll apparaten och dess strömkabel utom räckhåll för barn under 8 år.
5. Om strömkabeln är skadad måste den bytas ut av tillverkaren, dess servicerepresentant eller liknande kvalificerad person för att undvika fara.
6. Se avsnittet " RENGÖRING OCH UNDERHÅLL " i bruksanvisningen för instruktioner om hur man rengör ytor som kommit i kontakt med mat eller olja.
7. Denna apparat är avsedd för användning i hushållet och liknande tillämpningar som t.ex.: Personalkök i butiker, kontor och andra arbetsmiljöer; bondgårdar; av kunder i hotell, motell och andra bostadsmiljöer; bed and breakfast-hotell.
8. Denna apparat är inte avsedd för användning med en extern timer eller ett separat fjärrstyrningssystem.
9. Innan du ansluter strömkontakten till eluttaget, kontrollera att spänningen och frekvensen överensstämmer med specifikationerna på märkplåten.
10. Dra ut strömkontakten från eluttaget när apparaten inte används och före rengöring.
11. Om en förlängningskabel används måste den vara lämplig för apparatens strömförbrukning, annars kan överhettning av förlängningsskabeln och/eller strömkontakten inträffa. Det finns en eventuell risk för personskador om man snubblar över förlängningskabeln. Var noga med att undvika att skapa farliga situationer.
12. Säkerställ att strömkabeln inte hänger över någon skarp kant och håll den borta från varma föremål och öppen eld.
13. Sänk inte ner apparaten eller strömkontakten i vatten eller någon annan vätska. Det är livsfarligt på grund av elektriska stötar!
14. För att dra ut strömkontakten från eluttaget, dra ut den via strömkontakten. Dra inte i strömkabeln.
15. Vidrör inte apparaten om den faller ner i vatten. Dra ut strömkontakten från eluttaget, stäng av apparaten och lämna in den på ett auktoriserat servicecenter för reparation.
16. Du får inte koppla in eller dra ut apparaten från eluttaget med blöta händer.
17. Försök aldrig att öppna apparatens hölje eller reparera den själv. Det kan orsaka elektriska stötar.
18. Lämna aldrig apparaten obevakad vid användning.
19. Denna apparat är inte utvecklad för kommersiell användning.
20. Använd inte apparaten för något annat ändamål än den är avsedd för.
21. Linda inte kabeln runt apparaten och undvik att böja den.
22. Placera apparaten på en stabil, jämn yta som den inte kan falla ner från.
23. Se till att produkten inte utsätts för mycket smuts och fukt.

24. Rengör själva produkten med en något fuktad trasa.
25. Använd inte maskinen utan tillsyn. Om du lämnar arbetsområdet, stäng alltid av maskinen eller dra ut strömkontakten från eluttaget (dra i själva kontakten, inte i kabeln).
26. Placera inte apparaten mot en vägg eller en annan apparat. Lämna ett fritt avstånd på minst 10 cm på baksidan, sidorna och ovanför apparaten.
27. Vid varmluftsfritering släpps het ånga ut genom luftutsläppen. Håll händer och ansikte på ett säkert avstånd från ångan och luftutsläppen. Var även uppmärksam på den heta ångan och luften när pannan tas ut ur apparaten.
28. Dra omedelbart ut apparatens strömkontakt ur eluttaget om det kommer mörk rök från apparaten. Vänta tills röken avtagit helt innan pannan tas ut ur apparaten.
29. Kontrollera alltid innan apparaten används att värmeelementet och omgivningen är ren och fri från matrester för att säkerställa en perfekt funktion.
- 30.

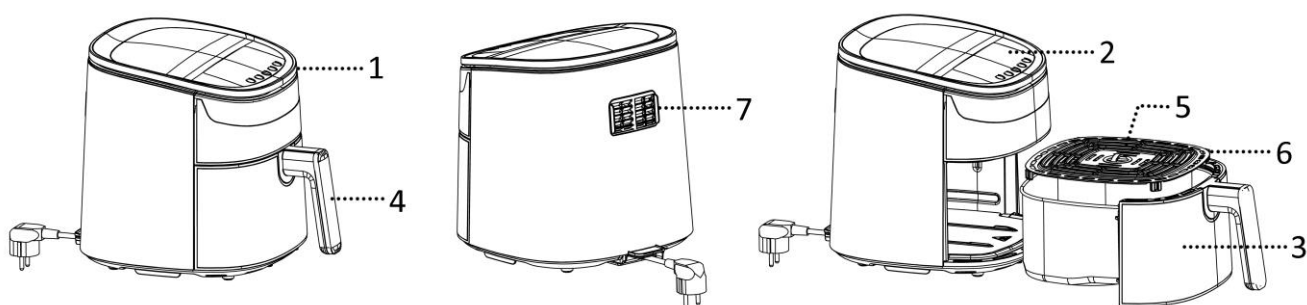


Varning, het yta.

**WARNING!!** Vidrör inte ytan vid användning. Temperaturen för åtkomliga ytor kan vara mycket hög när apparaten används.

31. Varm luft strömmar ut ur luftventilen på baksidan av apparaten. Var noga med att hålla ett tillräckligt avstånd till material, t.ex. glas, som är känsligt för värme.
32. Om du använder produkter med teflonyta, se till att inga fåglar är i samma rum och att rummet kan stängas igen helt och är väl ventilerat.
33. Ta alltid bort bakpapperet från korgen efter användning och innan/under förvärmning utan livsmedel.

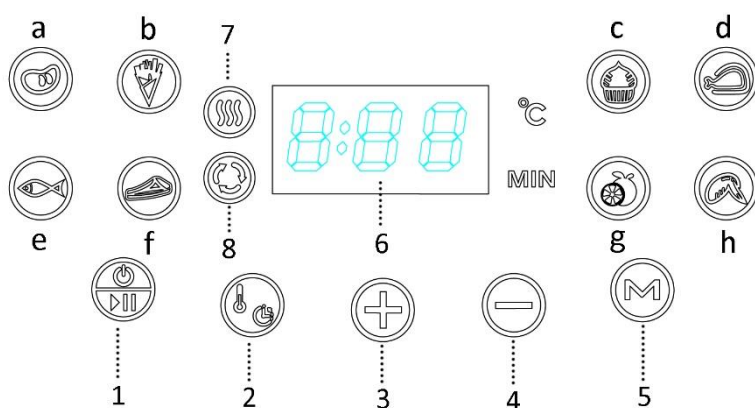
## BESKRIVNING AV DELAR



1. Luftintag
2. Kontrollpanel och display
3. Korg
4. Korghandtag
5. Fritösgrill
6. Silikonfötter
7. Luftutlopp



## Kontrollpanel och display



1. Ström/start/stopknapp
2. Temperaturinställningsknappar
3. Temperatur-/timerknapp för ökning
4. Temperatur-/timerknapp för minskning
5. Knapp för menyval
6. Display
7. Värmeindikator
8. Fläktindikator

### Meny:

- a). kött, b). pommes frites, c). kaka, d). kycklinglår,  
e). fisk, f). Stek, g). torkad frukt, h). kycklingvingar

## MENYINTRODUKTION

Ingrediens	Standardtemperatur	Föreslagen tillagningstid	Vända maten	Sänk temperaturen	Inställbar tid
Kött	200 °C	15 minuter	Ja	80 °C – 200 °C	1-60 minuter
Pommes frites	200 °C	20 minuter	Ja	80 °C – 200 °C	1-60 minuter
Kaka	160 °C	15 minuter		80 °C – 200 °C	1-60 minuter
Kycklinglår	200 °C	20 minuter	Ja	80 °C – 200 °C	1-60 minuter
Fisk	180 °C	20 minuter	Ja	80 °C – 200 °C	1-60 minuter
Biff	200 °C	10 minuter	Ja	80 °C – 200 °C	1-60 minuter
Torkad frukt	60 °C	4 timmar		60 °C – 80 °C	2-9 timmar
Kycklingvingar	200 °C	15 minuter	Ja	80 °C – 200 °C	1-60 minuter

**Notera:** Om instruktionerna på produktförpackningen avviker från värdena som visas i denna tabell, skall instruktionerna på förpackningen följas.

## FÖRE ANVÄNDNING

Läs först igenom alla instruktioner före användning och spara bruksanvisningen för framtida bruk. Anslut endast apparaten till ett jordat eluttag. Ta bort allt förpackningsmaterial före första användning. Rengör korgen och stekgallret. (Se "RENGÖRING OCH UNDERHÅLL"). Torka av apparatens in- och utsida med en mjuk

trasa. Se till att de elektriska delarna alltid är torra. **Denna apparat värmer upp maten från alla håll och de flesta ingredienserna behöver ingen olja.**

Innan du använder apparaten första gången kör du den i ungefär 10 min för att bränna av tillverkningsrester. Se till att det är bra ventilation. Apparaten kan avge en del rök och en karakteristisk lukt när du slår på den första gången. Detta är normalt och slutar snart.

**Obs!** Använd alltid frityrgrillen med silikonfötterna monterade. De hjälper till att stabilisera stekgallret under tillagning.

## ANVÄNDNING

1. Placera apparaten på en torr, stabil och värmebeständig yta.
2. Eftersom apparaten blir het vid användning, säkerställ att den inte står för nära några andra föremål.
3. Dra ut korgen ur apparaten via korghandtaget. Placera stekgallret i korgen.
4. Placera ingredienserna i korgen. Skjut in korgen i apparaten. Se till att de är monterade korrekt och ordentligt stängda, annars kommer inte apparaten att fungera. Varning! Rör inte korgen under eller kort tid efter användning eftersom den blir mycket varm. Håll endast korgen via handtaget.
5. Anslut strömkontakten till ett lämpligt eluttag. Maskinen är nu i standbyläge.
6. Tryck på knappen ström/start/stopp en gång för att aktivera andra knappar och indikatorer. Tryck på knappen temperatur-/tidsinställning och sedan på "+" eller "-" för att ställa in önskad temperatur (80 °C – 200 °C) och tiden (1 – 60 minuter) för ingredienserna. Lång tryckning på "+" eller "-" kan snabbt ändra värdena. När visningen blinkar på skärmen kan värdet justeras, när visning blir stilla är värdet inställt.
7. Du kan också trycka på knappen för menyval för att direkt välja tillagningsfunktioner. Om du vill justera tiden och temperaturen manuellt, följ steg 6 ovan. Notera att funktionen torkad frukt har inställbar temperatur från 60 °C till 80 °C och inställbar tid från 2 till 9 timmar, andra funktioner har samma inställningsområde som de manuella inställningarna.
8. Tryck på strömbrytaren igen, maskinen börjar arbeta. Indikatorlampan lyser när apparaten är i uppvärmningsläget. När den inre fläkten arbetar tänds fläktindikatorlampan. Dessa indikatorer tänds och släcks automatiskt enligt programkontrollen under hela processen.
9. När hela tillagningsprocessen är klar kommer apparaten att sluta arbeta med ett pipande ljud. Du kan också manuellt stoppa apparaten genom att trycka på knappen ström/start/stopp: kort tryckning gör att apparaten pausar; lång tryckning kommer att avsluta tillagningsprocessen och försätta apparaten i standbyläge. Skärmen blinkar "0:00" och fläkten körs i några sekunder innan apparaten går in i standbyläge.
10. Dra ut korgen från apparaten med hjälp av korghandtagen. Kontrollera om ingredienserna är färdiga. Om inte, skjut tillbaka korgen in i apparaten. Ställ in temperaturen och timer för några extra minuter. Tryck sedan på knappen ström/start/stopp för att köra maskinen igen. NOTERA: Du kan också dra ut korgen för att kontrollera och skaka ingredienserna under tillagningsprocessen. När du skjuter tillbaka korgen kommer maskinen att fortsätta att arbeta med den valda inställningen.
11. För att ta bort ingredienser (t.ex. biff, kyckling, kött) i originalolja och samla upp överbliven olja i botten av korgen under stekning, använd tången för att plocka upp en ingrediens i taget.  
För att ta bort ingredienser (t.ex. chips, grönsaker) utan överbliven olja i botten av korgen under tillagning, stäng av korgen och håll ut ingredienserna på en tallrik/skål.  
Obs! Korgen och ingredienserna är varma efter tillagningen. Beroende på typen av ingredienser i apparaten kan ånga frigöras från dropplådan.
12. När tillagningen är klar är apparaten omedelbart redo för en ny omgång ingredienser om så önskas.

## TILLAGNINGSTIPS

1. Optimal mängd för krispiga pommes frites är 500 gram.

- Lägg på tre minuter på tillagningstiden när apparaten är kall, eller låt apparaten förvärmas i cirka 4 minuter utan ingredienser.
- Vissa ingredienser kräver att de skakas om efter halva tillagningstiden. För att skaka om eller vända ingredienserna, dra ut korgen ur apparaten via handtaget och skaka eller vänd på ingredienserna med en gaffel (eller tång). Skjut sedan in korgen i apparaten igen.
- Produkter med skorpa eller torra brödsulor blir krispigare om de sprayas med lite vegetabilisk olja.
- Placera en bakform eller en ugnform i korgen om du vill baka en kaka, paj eller andra ömtåliga ingredienser.
- Tillaga inte extremt feta ingredienser som t.ex. korv i apparaten.

#### **VARNING:**

- Sänk inte ner kåpan i vatten och skölj den inte under kranen.
- Undvik att vätska kommer in i apparaten, för att förebygga elektriska stötar eller kortslutning.
- Se till att alla ingredienser ligger i korgen för att undvika kontakt med uppvärmningselementen.
- Täck inte över luftintaget och luftutsläppet när apparaten är igång. Lämna ett fritt utrymme på minst 10 cm runt och ovanför apparaten.
- Fylla på korgen med olja kan utgöra en brandrisk!
- Vidrör inte insidan på apparaten när den är i drift.
- Var försiktig med den heta ångan och luften när du tar ut korgen ur apparaten.
- Under användning släpps het ånga ut genom luftutsläppet. Håll händer och ansikte på säkert avstånd från ångan och luftutsläppet.
- Stäng omedelbart av apparaten och dra ut strömkabeln ur eluttaget om mörk rök tränger ut från apparaten. Detta beror på att maten har friterats för länge eller att apparaten gått sönder.

#### **RENGÖRING OCH UNDERHÅLL**

- Före hantering eller rengöring av apparaten, låt den svalna i ungefär 30 minuter. Rengör hela insidan och utsidan av apparaten regelbundet.
- Rengör utsidan och insidan av apparaten med en fuktig trasa och torka med en mjuk, ren trasa.
- Använd aldrig frätande rengöringsmedel och inte svampar som river.
- Ta bort korgen för att låta apparaten svalna fortare. Rengör korgen och friteringsgallret varmt vatten med diskmedel och en icke slipande svamp. Torka noga innan användning.
- Rengör värmeelementet inuti höljet (syns efter att korgen dragits ut) med en rengöringsborste för att ta bort eventuella matrester.

Notera: Korgarna och fritryggallern är diskmaskins säkra.

#### **FELSÖKNING**

<b>Problem</b>	<b>Möjlig orsak</b>	<b>Lösning</b>
<b>Apparaten fungerar inte.</b>	Apparaten är inte inkopplad.	Sätt i kontakten i ett jordat uttag.
	Du har inte tryckt på ström/start/stoppknappen för att slå på apparaten.	Tryck på ström/start/stoppknappen för att slå på apparaten.
<b>Ingredienserna är inte tillräckligt tillagade.</b>	Mängden mat i korgen är alltför stor.	Lägg mindre mängd mat i korgen. Mindre mängder tillagas jämnare.
	Temperaturen är för låg eller tiden inte tillräcklig.	Öka temperaturen eller tillaga längre tid.
<b>Ingredienserna tillagas ojämnt.</b>	Olika typer av livsmedel kan behöva skakas om efter halva tillagningstiden.	Skaka om efter halva tillagningstiden.

<b>Friterade snacks är inte krispiga</b>	Du har använt en typ av snacks, som ska lagas till i traditionell fritös.	Använd ugnssnacks eller pensla tunt med olja på snacksen för ett krispigare resultat.
<b>Det kommer ut vit rök ur apparaten.</b>	Du tillagar feta ingredienser.	När du friterar feta ingredienser kommer olja att läcka in i korgen. Oljan avger vit rök och pannan kan värmas upp. Detta påverkar inte tillagningsresultatet eller skadar apparaten.
	Korgen innehåller fortfarande fettrester från föregående användning.	Rengör korgen noga efter varje användning.
<b>Färska frites är ojämnt friterade</b>	Du har inte använt rätt potatissort.	Använd fräsch potatis.
	Du har inte sköljt potatisstavarna ordentligt innan friteringen.	Skölj potatisstavarna ordentligt för att få bort stärkelsen från utsidan av stavarna.
<b>Färska frites är inte krispiga</b>	Friteskrispigheten är beroende av mängden olja och vatten de innehåller	Se till att potatisstavarna torkats ordentligt innan oljan tillsätts.
		Skär potatisstavarna mindre för ett krispigare resultat
		Tillsätt aningen mer olja för ett krispigare resultat

#### TEKNISKA DATA

Driftsspänning: 220-240V ~ 50-60Hz

Strömförbrukning: 1300W

#### GARANTI OCH KUNDTJÄNST

Innan leverans genomgår våra apparater en sträng kvalitetskontroll. Om trots detta någon skada skulle uppstå vid produktionen eller vid transporten, ber vi dig att ta med apparaten tillbaka till inköpsstället.

För den köpta apparaten ges 2 års garanti, med början på inköpsdagen. Om du har en defekt produkt, kan du vända dig direkt till inköpsstället.

Brister som uppstår genom felaktig hantering av apparaten och fel som uppstår genom ingrepp och reparationer av tredje man eller montering av främmande delar, omfattas ej av vår garanti. Behåll alltid ditt kvitto då det är din garanti vid eventuell reklamation. Skador som uppstår p.g.a. att instruktionsmanualen inte följs ogiltigförklarar garantin och om detta leder till påföljande skador så kan inte vi hållas ansvariga. Vi kan inte hållas ansvariga för materiella skador eller personskador som orsakas av felaktig användning eller om inte säkerhetsföreskrifterna följs. Skador på tillbehören innebär inte per automatik ersättning av hela apparaten. I sådana fall ska du kontakta vår kundservice. Trasigt glas och trasiga plastdelar innebär alltid en kostnad. Defekter på förbrukningsartiklar eller slitdelar och även skador orsakade av rengöring, underhåll eller byte av tidigare nämnda delar täcks inte av garantin och ska således betalas av ägaren.

#### MILJÖVÄNLIG KASSERING



Återvinning - EU-direktiv 2012/19/EU

Denna markering indikerar att produkten inte får kastas tillsammans med övrigt hushållsavfall. För att förhindra eventuell skada på miljön eller människors hälsa på grund av okontrollerad avfallshantering, återvinns de på ett ansvarsfullt sätt som främjar en hållbar återanvändning av materiella resurser. För att återlämna den använda enheten, använd retur- och insamlingsystem eller kontakta återförsäljaren där produkten var köpt. De kan ta denna produkt för miljösäker återvinning.

Emerio B.V.  
Oudeweg 115  
2031 CC Haarlem  
The Netherlands

**Customer service:**  
T: +31 (0) 23 3034369  
[www.emerio.eu/service](http://www.emerio.eu/service)

**Kundeninformation:**  
T: +49 (0) 3222 1097 600  
[www.emerio.eu/service](http://www.emerio.eu/service)

**Klantenservice:**  
T: +31 (0) 23 3034369  
[www.emerio.eu/service](http://www.emerio.eu/service)

Looking for spare parts? Have a look at <https://spareparts.emerio.eu>  
Sie brauchen Ersatzteile? Besuchen Sie <https://ersatzteile.emerio.eu>  
Onderdelen nodig? Kijk op <https://onderdelen.emerio.eu>

## Gebruiksaanwijzing – Dutch

### VEILIGHEIDSVOORSCHRIFTEN

Voor gebruik dient u alle onderstaande instructies te lezen om letsel en schade te voorkomen en om de beste resultaten met het apparaat te bereiken. Bewaar deze handleiding op een veilige plek. Mocht u dit apparaat aan iemand anders overhandigen, dient u ook de gebruiksaanwijzing te overhandigen.

In geval van schade die wordt veroorzaakt doordat de gebruiker de instructies in deze gebruiksaanwijzing niet in acht heeft genomen, komt de garantie te vervallen. De fabrikant/importeur is niet aansprakelijk voor schade die wordt veroorzaakt door het niet in acht nemen van de gebruiksaanwijzing, door nalatig gebruik of gebruik dat niet in overeenstemming is met de bepalingen van deze gebruiksaanwijzing.

1. Dit apparaat mag worden gebruikt door kinderen vanaf 8 jaar en personen met beperkte fysieke, visuele of mentale vaardigheden, of die een gebrek aan ervaring en kennis hebben, indien ze gepaste instructies hebben gekregen zodat ze het apparaat op een veilige manier kunnen gebruiken, op de hoogte zijn van de gevaren die het gebruik van het apparaat met zich meebrengt en deze gevaren begrijpen.
2. Laat kinderen niet met het apparaat spelen.
3. Laat het reinigen en het onderhoud van het apparaat niet uitvoeren door kinderen tenzij ze ouder zijn dan 8 jaar en onder toezicht staan.
4. Houd het apparaat en snoer buiten het bereik van kinderen jonger dan 8 jaar.
5. Als het snoer is beschadigd, moet het worden vervangen door de fabrikant, zijn klantenservice of gelijksoortig geschoolde personen om gevaar te vermijden.
6. Met het oog op de instructies voor de reiniging van de oppervlakken die in contact kunnen komen met voedsel of olie, dient u de instructies in de paragraaf " REINIGEN EN ONDERHOUD " van de gebruiksaanwijzing in acht te nemen.
7. Dit apparaat is bedoeld voor huishoudelijk- en vergelijkbaar gebruik zoals: personeelskeuken in winkels, kantoren en andere werkomgevingen; boerderijen; door hotel, motelgasten en andere residentiële omgevingen; bed and breakfast soortgelijke omgevingen.
8. Dit apparaat is niet bestemd voor gebruik door middel van een externe timer of een afzonderlijk op afstand bestuurd systeem.
9. Voordat u de stekker in het stopcontact steekt, dient u te controleren of de stroom en de frequentie overeen komen met de specificaties van het typeplaatje.
10. Trek de stekker uit het stopcontact als het apparaat niet in gebruik is en voordat u het apparaat reinigt.
11. Als u gebruik maakt van een verlengkabel, dient dit geschikt te zijn voor het stroomverbruik van het apparaat, anders kan oververhitting van de verlengkabel en/of stekker het gevolg zijn. Er is risico op letsel door het struikelen over het verlengsnoer. Wees voorzichtig om gevaarlijke situaties te vermijden.
12. Let op dat de stroomkabel niet over scherpe randen hangt en niet in de buurt komt van hete voorwerpen en open vuur.
13. Dompel het apparaat of de stekker niet onder in water of andere vloeistoffen. Er bestaat levensgevaar als gevolg van een elektrische schok!
14. Om de stekker uit het stopcontact te halen, dient u aan de stekker zelf te trekken. Trek niet aan de stroomkabel.
15. Raak het apparaat niet aan als het in water is gevallen. Trek de stekker uit het stopcontact, schakel het apparaat uit en breng het ter reparatie naar een geautoriseerd servicecenter.
16. Steek de stekker niet in het stopcontact en haal hem er niet uit als u natte handen heeft.
17. Probeer nooit de behuizing van het apparaat te openen en probeer nooit zelf het apparaat te repareren. Dit kan een elektrische schok veroorzaken.
18. Laat het apparaat nooit onbeheerd achter wanneer het in gebruik is.
19. Dit apparaat werd niet ontworpen voor commercieel gebruik.

20. Gebruik het apparaat niet voor andere doeleinden dan het beoogde doel.
21. Draai de kabel niet om het apparaat en buig hem niet.
22. Plaats het apparaat op een stabiele, vlakke ondergrond waar het niet vanaf kan vallen.
23. Voorkom dat het product wordt blootgesteld aan excessieve verontreiniging en vocht.
24. Reinig het product zelf met een licht bevochtigde doek.
25. Gebruik de machine niet zonder toezicht. Als u de werkplek verlaat, dient u de machine altijd uit te schakelen of de stekker uit het stopcontact te trekken (trek aan de stekker zelf, niet aan de kabel).
26. Plaats het apparaat niet tegen een muur of tegen een ander apparaat. Laat minstens 10 cm ruimte aan de achterkant, de zijkanten en boven het apparaat vrij.
27. Tijdens het frituren met hete lucht komt er hete stoom uit de ventilatieopeningen. Houd uw handen en gezicht op een veilige afstand van de stoom en van de ventilatieopeningen. Let bovendien ook op hete stoom en lucht als u de pan uit het apparaat haalt.
28. Trek de stekker direct uit het stopcontact als u ziet dat donkere rook uit het apparaat ontsnapt. Wacht totdat de rook is opgelost en verwijder dan de pan uit het apparaat.
29. Zorg dat het verwarmingselement en de aangrenzende delen voor elk gebruik schoon en vrij van etensresten zijn om een perfecte werking te waarborgen.
- 30.

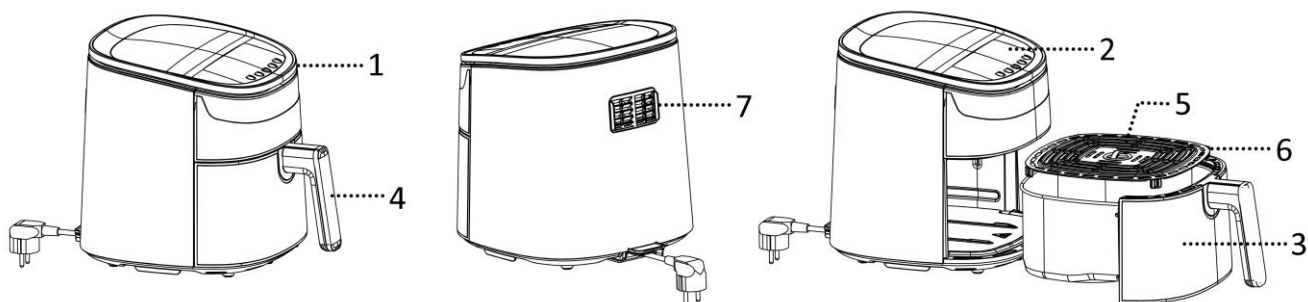


Opgelet, heet oppervlak.

**WAARSCHUWING!!** Raak het oppervlak a.u.b. niet aan tijdens gebruik. De temperatuur van toegankelijke oppervlakken kan erg hoog worden wanneer het apparaat aan staat.

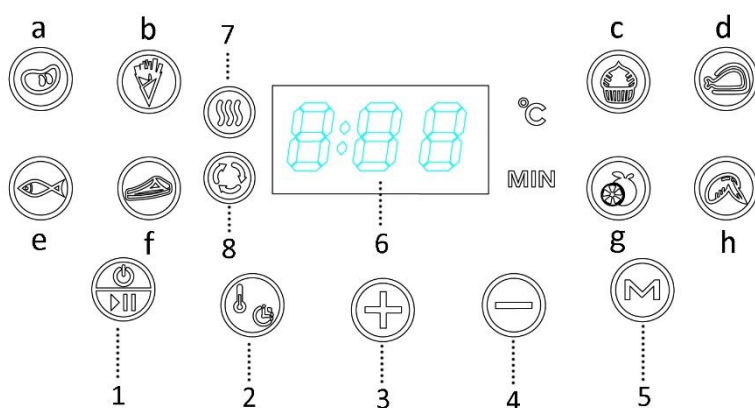
31. Hete lucht komt uit de ventilatie opening aan de achterkant van het apparaat. Zorg voor voldoende ruimte tot materialen die gevoelig zijn voor warmte, zoals glas.
32. Als u producten met een antiaanbaklaag gebruikt, dient u ervoor te zorgen dat zich geen vogels in dezelfde ruimte bevinden en dat de ruimte compleet kan worden gesloten en goed geventileerd wordt.
33. Haal bakpapier altijd uit het mandje na gebruik en tijdens het voorverwarmen zonder voedsel.

## OMSCHRIJVING ONDERDELEN



1. Luchtinlaat
2. Bedieningspaneel en display
3. Mand
4. Handgreep van mand
5. Bakrooster
6. Siliconen voetjes
7. Luchtuitlaat

## Bedieningspaneel en display



1. Aan/Uit/Start/Stop knop
2. Temperatuur/tijd instellen-knop
3. Temperatuur/tijd verhogen-knop
4. Temperatuur/tijd verlagen-knop
5. Menukeuzeknop
6. Scherm
7. Verwarming controlelampje
8. Ventilator controlelampje

### Menu:

- a). vlees, b). friet, c). cake, d). kippenbout,  
e). vis, f). steak, g). droog fruit, h). kippenvleugel

## INTRODUCTIE VAN MENU

Ingrediënt	Standaard temperatuur	Aanbevolen baktijd	Voedsel omkeren	Verstelbare temperatuur	Verstelbare tijd
Vlees	200 °C	15 minuten	Ja	80 °C – 200 °C	1-60 minuten
Friet	200 °C	20 minuten	Ja	80 °C – 200 °C	1-60 minuten
Cake	160 °C	15 minuten		80 °C – 200 °C	1-60 minuten
Kippenbout	200 °C	20 minuten	Ja	80 °C – 200 °C	1-60 minuten
Vis	180 °C	20 minuten	Ja	80 °C – 200 °C	1-60 minuten
Steak	200 °C	10 minuten	Ja	80 °C – 200 °C	1-60 minuten
Droog fruit	60 °C	4 uur		60 °C – 80 °C	2-9 uur
Kippenvleugel	200 °C	15 minuten	Ja	80 °C – 200 °C	1-60 minuten

**Opmerking:** Als de aanwijzingen op de verpakking van het product verschillen van de waarden die in deze tabel zijn vermeld, volg dan de aanwijzingen op de verpakking.

## VOOR GEBRUIK

Lees alle aanwijzingen voordat u het apparaat gaat gebruiken en bewaar deze om later nog eens na te kunnen kijken. Steek de stekker alleen in een geaard stopcontact. Voor het eerste gebruik dient u de verpakkingsmaterialen te verwijderen. Reinig de mand en het bakrooster. (Zie "REINIGEN EN ONDERHOUD") Veeg de binnen- en buitenkant van het apparaat schoon met een zachte doek. Zorg dat de elektrische



onderdelen droog blijven. **Dit apparaat verhit voedsel rondom en de meeste ingrediënten hebben geen olie nodig.**

Zet het apparaat de eerste keer ongeveer 10 minuten aan om de achtergebleven restanten van de productie weg te branden. Zorg voor goede ventilatie. Het apparaat kan wat rook en een karakteristieke geur afscheiden als u het voor de eerste keer aanzet. Dit is normaal en zal snel ophouden.

**Opmerking:** Gebruik het bakrooster altijd met de siliconen voetjes bevestigd. Dit zorgt voor een stabiele positie van het bakrooster in de mand tijdens het bakproces.

## GEBRUIK

1. Plaats het apparaat op een droog, stabiel en hittebestendig oppervlak.
2. Omdat het apparaat heet wordt tijdens het gebruik, dient u ervoor te zorgen dat het niet te dicht bij andere objecten staat.
3. Trek de mand uit het apparaat met behulp van de handgreep. Plaats het bakrooster in de mand.
4. Doe de ingrediënten in de mand. Schuif de mand in het apparaat. Zorg dat de mand juist wordt aangebracht en het apparaat volledig dicht is. Het apparaat zal anders niet starten. Opgelet: Raak de mand tijdens en kort na gebruik niet aan, ze wordt zeer warm. Houd de pan alleen bij de handgreep vast.
5. Steek de stekker in een gepast stopcontact. Het apparaat staat nu in stand-by.
6. Druk eenmaal op de aan/uit/start/stop-knop om de andere knoppen en de controlelampjes te activeren. Druk op de temperatuur/tijd instellen-knop en dan op '+' of '-' om uw gewenste temperatuur (80 °C – 200 °C) of tijd (1 – 60 minuten) voor de ingrediënten in te stellen. Druk lang op '+' of '-' om de waarde snel aan te passen. Wanneer het display op het scherm knippert, kan de waarde worden aangepast. De waarde is ingesteld wanneer het display stilstaat.
7. U kunt ook op de menukeuzeknop drukken om de bakfuncties direct te kiezen. Als u de tijd en temperatuur handmatig wilt aanpassen, volg de bovenstaande stap 6. Opgelet, de droge fruit-functie heeft een verstelbare temperatuur tussen 60 °C tot 80 °C en een verstelbare tijd tussen 2 en 9 uur. De andere functies hebben hetzelfde instelbereik als de handmatige instellingen.
8. Druk opnieuw op de aan/uit/start/stop-knop en het apparaat treedt in werking. Het verwarmingscontrolelampje brandt wanneer het apparaat aan het verwarmen is. Het ventilator controlelampje brandt wanneer de interne ventilator in werking is. Deze controlelampjes worden automatisch in- en uitgeschakeld naargelang de programmabesturing tijdens het volledig bakproces.
9. Wanneer het volledig bakproces beëindigd is, stopt het apparaat automatisch met werken en hoort u geluidssignalen. U kunt het apparaat tevens handmatig stoppen door op de aan/uit/start/stop-knop te drukken. Druk kort om het apparaat te pauzeren of druk lang om het bakproces te beëindigen en het apparaat in stand-by te zetten. Het scherm geeft al knipperend "0:00" weer en de ventilator draait enkele seconden voordat het apparaat in stand-by gaat.
10. Haal het mandje met behulp van de handgreep van mand uit het apparaat. Controleer of de ingrediënten gaar zijn. Als dit niet het geval is, schuif het mandje opnieuw in het apparaat. Stel de temperatuur en de timer op enkele minuten in. Druk dan op de Aan/Uit/Start/Stop-knop om de werking te hervatten. **OPMERKING:** U kunt de mand tijdens het bakproces tevens uittrekken en de ingrediënten schudden. Wanneer de mand opnieuw in het apparaat wordt geschoven, wordt de werking hervat op de geselecteerde instelling.
11. Maak het mandje leeg en doe de levensmiddelen in een kom of op een bord. Om grotere of breekbare ingrediënten te verwijderen, haalt u de ingrediënten uit het mandje met behulp van een tang. Om ingrediënten, zoals rundvlees, kip, vlees en andere ingrediënten die olie bevatten, waarvan de overtollige olie in de bodem van de mand wordt opgevangen, uit te halen, gebruik een tang om de ingrediënten één voor één te verwijderen. Om ingrediënten, zoals friet, groente en ingrediënten zonder overtollige olie, uit te halen, trek de mand uit en breng de ingrediënten over naar een schaal.

- Als de bereidingstijd voorbij is, is het apparaat meteen gereed voor het bereiden van een volgende portie als dit nodig is.

### FRITUURTIPS

- De ideale hoeveelheid voor knapperige friet is 500 gram.
- Voeg 3 extra minuten aan de bereidingstijd toe wanneer het apparaat koud is of laat het apparaat circa 4 minuten voorverwarmen zonder ingrediënten in het apparaat.
- Het is nodig om bepaalde ingrediënten aan de helft van de bereidingstijd te schudden. Om de levensmiddelen te schudden of om te draaien, trek de mand via de handgreep uit het apparaat en schud de mand of draai de ingrediënten om met een vork (of tang). Schuif de mand vervolgens opnieuw in het apparaat.
- Producten met een korst of paneerlaag worden knapperiger als u deze eerst licht inspuit met wat plantaardige olie.
- Plaats een bakvorm of een ovenschaal in het apparaat, als u een cake, quiche of ander gevoelig gerecht wilt bakken.
- Bak geen extreem vette ingrediënten, zoals worst, in het apparaat.

### VOORZICHTIG:

- Dompel het apparaat nooit onder in water en spoel het niet af onder de kraan.
- Voorkom dat er vloeistof het apparaat binnen kan dringen om elektrische schokken of kortsluiting te voorkomen.
- Houd alle ingrediënten in het mandje om contact met de verwarmingselementen te voorkomen.
- Dek de luchtinlaat en -uitlaat niet af als het apparaat in werking is. Laat een vrije ruimte van minstens 10 cm rond en boven het apparaat.
- Het vullen van de mand met olie kan brandgevaar opleveren!
- Raak de binnenkant van het apparaat niet aan wanneer in werking.
- Kijk uit voor de hete lucht en stoom wanneer u het mandje uit het apparaat haalt.
- Tijdens de bereiding komt er hete stoom uit de luchtuitlaat. Houd uw handen en gezicht op veilige afstand van de stoom en de luchtuitlaat.
- Schakel het apparaat onmiddellijk uit en haal de stekker uit het stopcontact als donkere rook wordt afgegeven. Dit betekent dat het voedsel te veel is gekookt of het apparaat defect is.

### REINIGEN EN ONDERHOUD

- Voordat u het apparaat aanpakt of gaat reinigen, dient u het ongeveer 30 minuten af te laten koelen. Reinig het apparaat zowel aan de binnen- als buitenkant grondig.
- Reinig de binnen- en buitenkant van het apparaat met een vochtige doek en droog deze weer met een schone, zachte doek.
- Gebruik nooit schurende middelen of sponzen.
- Verwijder de mand om het apparaat sneller te laten afkoelen. Reinig de mand en het bakrooster in warm water met afwasmiddel en een niet-schurende spons. Veeg grondig droog voor gebruik.
- Maak het verwarmingselement binnenin de behuizing schoon (na het uittrekken van de mand) met een schoonmaakborstel om eventuele etensresten te verwijderen.

Opmerking: De mand en het bakrooster zijn vaatwasmachinebestendig.

### PROBLEEM OPLOSSINGEN

Probleem	Mogelijke oorza(a)k(en)	Oplossing
Het apparaat werkt niet.	De stekker zit niet in het stopcontact.	Steek de stekker in een geaard stopcontact.
	U hebt niet op de	Druk op de Aan/Uit/Start/Stop-knop

	Aan/Uit/Start/Stop-knop gedrukt om het apparaat in te schakelen.	om het apparaat in te schakelen.
<b>De ingrediënten zijn niet volledig gebakken.</b>	De hoeveelheid voedsel in de mand is te groot.	Doe minder ingrediënten tegelijk in het mandje. Kleinere hoeveelheden bakken gelijkmatiger.
	De temperatuur is te laag of de ingestelde tijd is te kort.	Verhoog de temperatuur of stel een langere kooktijd in.
<b>De ingrediënten zijn niet gelijkmatig gebakken.</b>	Voor verschillende soorten voedsel kan het noodzakelijk zijn deze halverwege de bereidingstijd om te schudden.	Schud het voedsel om halverwege de bereidingstijd.
<b>De gefrituurde snacks zijn niet knapperig</b>	U heeft een soort snack uitgekozen die alleen op een traditionele manier gefrituurd kan worden.	Gebruik snacks voor de oven of doe een beetje olie op de snacks voor een knapperiger resultaat.
<b>Er komt witte rook uit het apparaat.</b>	U bereidt vette ingrediënten.	Tijdens het bakken van vette levensmiddelen, zal er olie in de mand lekken. De olie produceert witte rook en de pan kan warm worden. Dit heeft geen impact op de bakprestaties en beschadigt het apparaat niet.
	De mand bevat nog vetresten van het vorig gebruik.	Maak de mand schoon na elk gebruik.
<b>Verse frietjes zijn onregelmatig gefrituurd</b>	U hebt de verkeerde soort aardappel gebruikt	Gebruik verse aardappelen.
	U hebt de aardappelfriet voor het bakken onvoldoende gespoeld.	Reinig de aardappelsticks fatsoenlijk om het zetmeel aan de buitenkant van de sticks te verwijderen.
<b>Verse frietjes zijn niet knapperig</b>	De knapperigheid van de frietjes is afhankelijk van de hoeveelheid olie en water in de frietjes.	Zorg ervoor dat de sticks goed afgedroogd zijn alvorens olie toe te voegen.
		Snijd de aardappelsticks smaller voor een knapperiger resultaat.
		Voeg beetje bij beetje meer olie toe voor een knapperiger resultaat.

## TECHNISCHE GEGEVENS

Bedrijfsspanning: 220-240V ~ 50-60Hz

Opgenomen vermogen: 1300W

## GARANTIE EN KLANTENSERVICE

Vóór de levering worden onze apparaten streng gecontroleerd. Indien het toestel ondanks alle zorg bij de productie of tijdens het transport beschadigd werd, moet u het naar de handelaar terugbrengen.

Wij geven een garantie van 2 jaar op het toestel, te beginnen met de koopdatum. Indien u een defect product heeft, kunt u rechtstreeks terug gaan naar het aankooppunt.

Gebreken die het gevolg zijn van ondeskundig gebruik van het toestel, fouten tijdens ingrepen en reparaties door derden of door de inbouw van vreemde onderdelen, vallen niet onder deze garantie. Bewaar altijd uw aankoopnota, zonder aankoopnota kunt u geen aanspraak maken op enige vorm van garantie. Bij schade veroorzaakt door het niet opvolgen van de gebruiksaanwijzing vervalt het recht op garantie. Voor vervolgschade die hieruit ontstaat kunnen wij niet verantwoordelijk gehouden worden. Voor materiële schade of persoonlijk letsel veroorzaakt door ondeskundig gebruik of het niet opvolgen van de

veiligheidsvoorschriften zijn wij niet aansprakelijk. In dergelijke gevallen vervalt iedere aanspraak op garantie. Schade aan accessoires of onderdelen betekend niet dat het gehele apparaat zal worden vervangen. Afgebroken glazen of kunststof onderdelen of accessoires vallen niet onder de garantie en zullen tegen vergoeding vervangen kunnen worden. Defecten aan hulpstukken of aan slijtage onderhevige onderdelen, alsmede reiniging, onderhoud of de vervanging van slijtende delen vallen niet onder de garantie en zullen dus in rekening gebracht worden.

#### MILIEUVRIENDELIJKE AFVALVERWERKING



Recycling – Europese Richtlijn 2012/19/EU

Deze markering betekent dat dit product niet samen met ander houshoudelijk afval mag worden afgedankt. Om het milieu en de volksgezondheid niet in gevaar te brengen en het hergebruik van grondstoffen te bevorderen, moet dit product op verantwoordelijke wijze worden afgevoerd.

■ Lever verbruikte apparatuur a.u.b. in bij de hiervoor bestemde inzamelpunten of bij de winkel waar het product was aangeschaft. Zij zullen dit product accepteren voor milieuvriendelijke afvalverwerking.

Emerio B.V.  
Oudeweg 115  
2031 CC Haarlem  
The Netherlands

**Customer service:**  
T: +31 (0) 23 3034369  
[www.emerio.eu/service](http://www.emerio.eu/service)

**Kundeninformation:**  
T: +49 (0) 3222 1097 600  
[www.emerio.eu/service](http://www.emerio.eu/service)

**Klantenservice:**  
T: +31 (0) 23 3034369  
[www.emerio.eu/service](http://www.emerio.eu/service)

Looking for spare parts? Have a look at <https://spareparts.emerio.eu>

Sie brauchen Ersatzteile? Besuchen Sie <https://ersatzteile.emerio.eu>

Onderdelen nodig? Kijk op <https://onderdelen.emerio.eu>

## Instrukcja obsługi – Polish

### INSTRUKCJE DOTYCZĄCE BEZPIECZEŃSTWA

Aby nie dopuścić do urazów lub uszkodzeń oraz aby maksymalnie wykorzystać możliwości urządzenia, przed rozpoczęciem jego użytkowania należy przeczytać wszystkie poniższe zalecenia. Niniejszą instrukcję należy przechowywać w bezpiecznym miejscu. W przypadku przekazania lub odstąpienia komuś tego urządzenia, do urządzenia należy dołączyć również tę instrukcję.

W przypadku uszkodzenia spowodowanego nieprzestrzeganiem przez użytkownika zaleceń podanych w niniejszej instrukcji gwarancja nie ma zastosowania. Producent/importer nie ponosi odpowiedzialności za szkody spowodowane nieprzestrzeganiem podanych w instrukcji zaleceń, zaniedbaniami oraz użytkowaniem w sposób niezgodny z wymaganiami opisanymi w instrukcji.

1. Pod warunkiem zapewnienia odpowiedniego nadzoru, pouczenia na temat bezpiecznej obsługi i dopilnowania zrozumienia zagrożeń, urządzenie może być używane przez dzieci w wieku od lat 8, osoby o ograniczeniach fizycznych, czuciowych lub psychicznych, a także osoby, którym brak jest doświadczenia lub wiedzy.
2. Dzieci nie powinny bawić się urządzeniem.
3. Dzieci mogą wykonywać czynności związane z czyszczeniem i konserwacją tylko pod warunkiem ukończenia 8 lat i tylko pod nadzorem osoby dorosłej.
4. Urządzenie i jego kabel należy trzymać w miejscu niedostępnym dla dzieci do lat 8.
5. Jeżeli kabel zasilający zostanie uszkodzony, aby uniknąć niebezpiecznych sytuacji, należy go wymienić. Wymiany powinien dokonać producent, przedstawiciel jego serwisu lub inne osoby o podobnych kwalifikacjach.
6. Zalecenia dotyczące czyszczenia powierzchni mających kontakt z żywnością lub olejem podano w instrukcji w części „CZYSZCZENIE I KONSERWACJA”.
7. Urządzenie jest przeznaczone do zastosowań domowych i podobnych, takich jak np.: kuchenki pracownicze w sklepach, biurach i innych obiektach pracowniczych; domy na wsi; użytkowanie przez klientów w hotelach, motelach i innych obiektach mieszkaniowych oraz obiekty oferujące nocleg ze śniadaniem.
8. To urządzenie nie jest przystosowane do sterowania za pomocą zewnętrznego minutnika lub oddzielnego pilota.
9. Przed włożeniem wtyczki do kontaktu, należy sprawdzić, czy napięcie i częstotliwość są zgodne ze specyfikacją podaną na tabliczce znamionowej.
10. Przed czyszczeniem i na czas, gdy urządzenie nie jest używane, należy wyjąć wtyczkę z kontaktu.
11. Jeżeli jest używany przedłużacz, musi on być dostosowany do mocy pobieranej przez urządzenie. W przeciwnym wypadku może dojść do przegrzania się przedłużacza i/lub wtyczki. Istnieje potencjalne ryzyko urazów na skutek potknięcia się o przewód zasilający. Zachowaj ostrożność, by uniknąć niebezpiecznych sytuacji.
12. Należy dopilnować, aby kabel zasilający nie zwisał z ostrych krawędzi. Należy go trzymać z dala od gorących przedmiotów i otwartych płomieni.
13. Urządzenia i wtyczki kabla zasilającego nie wolno zanurzać w wodzie lub innych płynach. Ryzyko utraty życia wskutek porażenia prądem!
14. W celu wyjęcia wtyczki z kontaktu należy ciągnąć za wtyczkę. Nie należy ciągnąć za kabel zasilający.
15. Jeśli urządzenie wpadnie do wody, nie wolno go dotykać. Należy wyjąć wtyczkę z kontaktu, wyłączyć urządzenie i wysłać je do autoryzowanego punktu serwisowego w celu dokonania naprawy.
16. Nie należy mokrą ręką wkładać wtyczki urządzenia do kontaktu lub wyjmować jej z niego.
17. Nigdy nie należy próbować otwierać obudowy urządzenia lub samodzielnie urządzenie naprawić. Mogłoby to doprowadzić do porażeniem prądem.
18. W czasie użytkowania nie należy nigdy zostawiać urządzenia bez nadzoru.
19. Urządzenie nie zostało zaprojektowane do użytku komercyjnego.
20. Urządzenia nie należy używać do celów, do których nie jest ono przeznaczone.
21. Kabla nie należy owijać wokół urządzenia ani zaginać.
22. Urządzenie należy ustawić na stabilnej i płaskiej powierzchni, z której nie będzie ono mogło spaść.
23. Produkt należy chronić przed nadmiernym zabrudzeniem i wilgocią.
24. Produkt należy czyścić lekko zwilżoną ściereczką.
25. Nie należy zostawiać włączonego urządzenia bez nadzoru; opuszczając miejsce pracy użytkownik powinien zawsze wyłączyć urządzenie lub wyjąć wtyczkę z kontaktu (należy ciągnąć za wtyczkę, a nie za przewód).

26. Nie umieszczaj urządzenia przy ścianie lub innym urządzeniu, Pozostaw co najmniej 10 cm wolnego odstępu między tyłem, bokami i górą urządzenia.
27. W trakcie smażenia gorącym powietrzem, z otworów wylotu powietrza wydobywa się gorąca para. Nie zbliżaj rąk ani twarzy do pary i otworów wylotu powietrza. Uważaj na gorącą parę oraz powietrze, gdy wyjmiesz koszyk z urządzenia.
28. Odłącz natychmiast urządzenie z gniazdka, jeśli czarny dym zacznie wydobywać się z urządzenia, Oczekaj, aż dym całkowicie przestanie się wydobywać i wyjmij koszyk z urządzenia.
29. Przed każdym użyciem urządzenia upewnij się, że element grzejący oraz otoczenie są czyste i pozbawione resztek potraw, by zapewnić poprawne działanie.
- 30.

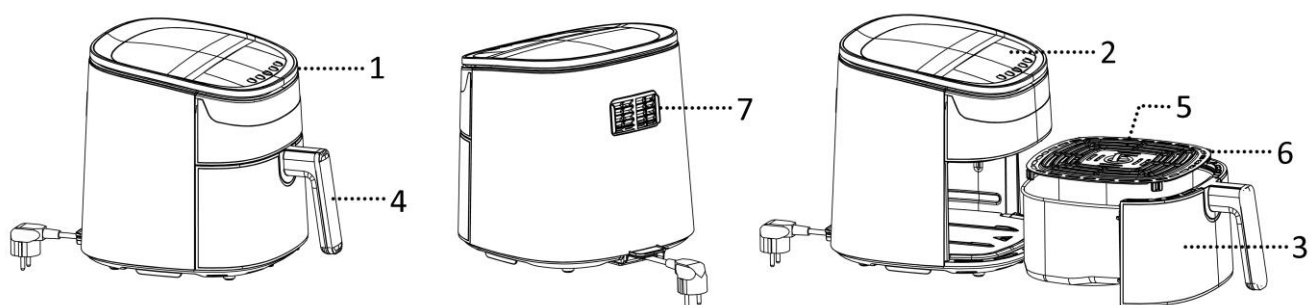


Uwaga, gorąca powierzchnia.

**OSTRZEŻENIE!!** Nie dotykać powierzchni podczas użytkowania. W czasie pracy urządzenia temperatura dostępnych powierzchni może być wysoka.

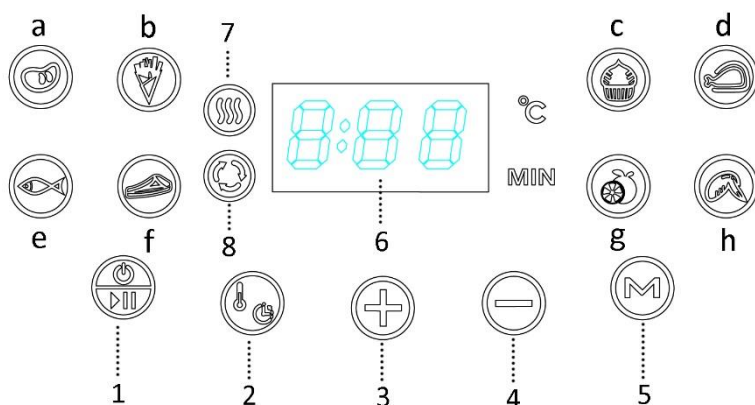
31. Przez otwór wentylacyjny z tyłu urządzenia wydostaje się gorące powietrze. Należy koniecznie zapewnić wystarczającą odległość od materiałów wrażliwych na gorąco, takich jak np. szkło.
32. W przypadku używania produktów z powierzchniami nieprzywierającymi, należy dopilnować, aby w tym samym pomieszczeniu nie było ptaków, aby pomieszczenie można było całkowicie zamknąć i aby miało ono zapewnioną dobrą wentylację.
33. Po użyciu i przed/w trakcie wstępnego nagrzewania bez produktów spożywczych należy zawsze wyjąć z kosza papier do pieczenia.

## OPIS CZĘŚCI



1. Wlot powietrza
2. Panel sterowania i wyświetlacz
3. Kosz
4. Uchwyt kosza
5. Ruszt do smażenia
6. Nóżki silikonowe
7. Wylot powietrza

## Panel sterowania i wyświetlacz



1. Przycisk zasilania/uruchamiania/zatrzymywania
2. Przyciski nastawiania temperatury/czasu
3. Przycisk zwiększania temperatury/czasu
4. Przycisk zmniejszania temperatury/czasu
5. Przyciski wyboru menu
6. Ekran wyświetlacza
7. Kontrolka grzania
8. Kontrolka wentylatora

### Menu:

- a). mięso, b). frytki, c). ciasto, d). udka kurczaka,  
e). ryba, f). stek, g). suszone owoce, h). skrzydełka kurczaka

## MENU – WPROWADZENIE

Składnik	Domyślna temperatura	Sugerowany czas pieczenia	Odwracanie produktów spożywczych	Regulacja temperatury	Regulacja czasu
Mięso	200 °C	15 minut	Tak	80 °C – 200 °C	1-60 minut
Frytki	200 °C	20 minut	Tak	80 °C – 200 °C	1-60 minut
Ciasto	160 °C	15 minut		80 °C – 200 °C	1-60 minut
Udka kurczaka	200 °C	20 minut	Tak	80 °C – 200 °C	1-60 minut
Ryby	180 °C	20 minut	Tak	80 °C – 200 °C	1-60 minut
Stek	200 °C	10 minut	Tak	80 °C – 200 °C	1-60 minut
Suszone owoce	60 °C	4 godziny		60 °C – 80 °C	2-9 godzin
Skrzydółko kurczaka	200 °C	15 minut	Tak	80 °C – 200 °C	1-60 minut

**Uwaga:** Jeśli w instrukcji na opakowaniu produktu podane są inne czasy i wartości, należy wówczas postępować zgodnie z instrukcjami na opakowaniu.

## PRZED UŻYCIEM

Przed użyciem prosimy najpierw przeczytać całą instrukcję. Instrukcję należy zachować na przyszłość. Urządzenie należy podłączać tylko do kontaktu z uziemieniem. Przed pierwszym użyciem należy usunąć wszystkie materiały opakowaniowe. Wyczyścić kosz i ruszt do smażenia. (patrz „CZYSZCZENIE I KONSERWACJA”). Wytrzeć urządzenie od środka i od zewnątrz miękką szmatką. Upewnić się, że podzespoły elektryczne pozostają suche. **To urządzenie podgrzewa produkty spożywcze. Większość składników nie wymaga dodawania oleju.**

Przed użyciem po raz pierwszy włącz urządzenie na około 10 minut, by spalić resztki produkcyjne. Upewnij się, że w pomieszczeniu istnieje odpowiednia wentylacja. Urządzenie może emitować niewielką ilość dymu i charakterystyczny zapach, gdy je włączysz po raz pierwszy. Jest to normalne i wkrótce się skończy.

**Uwaga:** Rusztu do smażenia należy zawsze używać z założonymi silikonowymi nóżkami. Elementy te pomagają ustabilizować ruszt do smażenia w koszu w czasie pieczenia.

## UŻYTKOWANIE

1. Urządzenie ustawić na suchej i stabilnej powierzchni odpornej na wysokie temperatury.
2. Ponieważ w czasie użytkowania urządzenie nagrzewa się i jest gorące, należy dopilnować, aby nie znajdowało się zbyt blisko innych przedmiotów.
3. Wsunąć z urządzenia kosz – w tym celu pociągnąć za uchwyt kosza. Włożyć ruszt do smażenia do kosza.
4. Włożyć składniki do kosza. Wsunąć kosz do urządzenia. Upewnić się, że są one prawidłowo włożone i całkowicie zamknięte. Inaczej urządzenie nie włączy się. Uwaga: W czasie użytkowania oraz przez krótki czas po użyciu kosza nie wolno dotykać – kosz nagrzewa się i jest bardzo gorący. Kosz należy trzymać wyłącznie za uchwyt.
5. Podłączyć wtyczkę do odpowiedniego kontaktu. Urządzenie znajduje się teraz w trybie gotowości.
6. Nacisnąć jeden raz przycisk zasilania/uruchamiania/zatrzymywania, aby odblokować pozostałe przyciski i kontrolki. Nacisnąć przycisk nastawiania temperatury/czasu i przyciskami „+” i „-” ustawić temperaturę (80°C – 200°C) i czas (1 – 60 minut) odpowiednie dla danych składników. Długie wciśnięcie przycisków „+” lub „-” pozwala szybko dostosować wartość. Gdy na wyświetlaczu miga wskazywana wartość, można ją regulować; gdy wskazanie staje się nieruchome, wartość jest ustalona.
7. Użytkownik może też nacisnąć przycisk menu, aby bezpośrednio wybrać funkcje pieczenia. Jeśli chcemy ręcznie nieznacznie skorygować czas i temperaturę, wystarczy dokonać regulacji tak jak w kroku 6. Należy zauważyć, że funkcja suszenia owoców ma temperaturę regulowaną w zakresie od 60°C do 80°C i czas regulowany w zakresie od 2 do 9 godzin, pozostałe funkcje mają regulowany zakres taki sam jak przy ustawianiu ręcznym.
8. Nacisnąć przycisk zasilania/uruchamiania/zatrzymywania ponownie; urządzenie rozpocznie pracę. Gdy urządzenie nagrzewa się, świeci się kontrolka grzania. Gdy pracuje wewnętrzny wentylator, świeci się kontrolka wentylatora. W czasie całego procesu pieczenia kontrolki te zapalają się i gasną automatycznie w zależności od aktualnej fazy programu.
9. Gdy zakończy się cały proces pieczenia, urządzenie wyłącza się automatycznie i słychać sygnał dźwiękowy. Pracę urządzenia można również zatrzymać ręcznie, w tym celu wystarczy nacisnąć przycisk zasilania/uruchamiania/zatrzymywania: krótkie wciśnięcie powoduje wstrzymanie pracy urządzenia; długie wciśnięcie kończy proces pieczenia i przełącza urządzenie w tryb gotowości. Na wyświetlaczu będą migać cyfry „0:00”. Zanim urządzenie przejdzie w tryb gotowości na kilka sekund włączy się wentylator.
10. Wsunąć z urządzenia kosz za uchwyt kosza. Sprawdzić, czy składniki są gotowe. Jeśli nie są, wsunąć kosz z powrotem do urządzenia. Ustawić temperaturę i minutnik na kilka dodatkowych minut. Następnie nacisnąć przycisk zasilania/uruchamiania/zatrzymywania, aby ponownie włączyć urządzenie. UWAGA: Można także wysunąć kosz, aby sprawdzić i potrząsnąć składniki w czasie pieczenia. Po wsunięciu kosza z powrotem urządzenie będzie kontynuować pracę z wybranym ustawieniem.
11. Opróżnić kosz, przełożyć produkty spożywcze na talerz lub półmisek. Aby wyjąć duże i delikatne składniki, należy je podnieść z kosza szczypcami.  
Aby wyjąć składniki (np. wołowinę, kurczaka, mięso oraz dowolne składniki zawierające olej lub w których nadmiar oleju ze składników zbiera się na dnie kosza), należy użyć szczypiec i wyjmować składniki po jednym.  
Aby wyjąć składniki (np. frytki, warzywa lub składniki, w których nie ma nadmiaru oleju), należy wysunąć kosz i przesytać składniki do naczynia.



- Po zakończeniu smażenia, urządzenie jest natychmiast gotowe do smażenia kolejnej partii składników (w razie potrzeby).

### WSKAZÓWKI DOTYCZĄCE SMAŻENIA

- Optymalna ilość frytek wynosi 500 gramów.
- Jeśli urządzenie jest zimne, do czasu przygotowywania należy dodać 3 dodatkowe minuty, ewentualnie można też pozwolić urządzeniu rozgrzać się przez ok. 4 minuty bez wkładania do środka jakichkolwiek składników.
- Niektóre produkty wymagają potrząśnięcia w połowie czasu przygotowywania. Aby potrząsnąć lub przewrócić produkty, należy wysunąć kosz z urządzenia za uchwyt i potrząsnąć nim lub odwrócić je widelcem (lub szczypcami). Następnie z powrotem wsunąć kosz do urządzenia.
- Produkty ze skórką z posypką z kruchego ciasta będą bardziej chrupiące, jeśli posmaruje się je olejem roślinnym.
- Jeśli w urządzeniu ma być pieczone ciasto lub quiche lub inne delikatne składniki, należy włożyć je w formie do pieczenia lub w naczyniu żaroodpornym.
- W urządzeniu nie należy przyrządzać składników wyjątkowo tłustych takich jak kiełbaski.

### OSTROŻNIE:

- Obudowy nie należy zanurzać w wodzie ani wkładać pod bieżącą wodę.
- Należy unikać dostawania się do urządzenia płynów, ponieważ grozi to zwarcie i porażeniem prądem.
- Wszystkie składniki muszą znajdować się w koszu, aby nie było niebezpieczeństwa, że dotkną elementu grzewczego.
- Gdy urządzenie pracuje, nie należy zasłaniać otworów wlotu i wylotu powietrza. Nad górną powierzchnią urządzenia należy zostawić co najmniej 10 cm wolnej przestrzeni.
- Napełnienie kosza olejem grozi pożarem!
- W czasie pracy urządzenia nie należy dotykać wewnętrznych części urządzenia.
- Podczas wyjmowania kosza z urządzenia należy uważać na gorącą parę i gorące powietrze.
- W czasie pracy przez wylot powietrza bucha gorąca para. Ręce i twarz należy trzymać w bezpiecznej odległości od wylotu pary i gorącego powietrza.
- W przypadku pojawienia się czarnego dymu, urządzenie należy natychmiast wyłączyć i odłączyć od zasilania ponieważ oznacza to, że albo produkty przypalają się, albo urządzenie jest niesprawne.

### CZYSZCZENIE I KONSERWACJA

- Przed czyszczeniem urządzenia należy pozwolić, aby ostygło ono przez 30 minut. Urządzenie należy regularnie czyścić od środka i z zewnątrz.
- Urządzenie należy czyścić od zewnątrz i od środka wilgotną ściereczką. Polerować suchą ściereczką.
- Nigdy nie należy używać ścierających środków czyszczących lub gąbek.
- Wyjąć kosz, aby pozwolić urządzeniu szybciej ostygnąć. Umyć kosz i ruszt do smażenia – myć nierysującą gąbką w ciepłej wodzie z płynem do mycia naczyń. Przed użyciem dokładnie wysuszyć.
- Wyczyścić element grzewczy w obudowie (widać go po wysunięciu kosza), czyścić szczoteczką, aby usunąć wszelkie resztki produktów spożywczych.

Uwaga: Kosz i ruszt do smażenia można myć w zmywarce.

### ROZWIĄZYWANIE PROBLEMÓW

Problem	Możliwa przyczyna	Rozwiązanie
Urządzenie nie działa.	Urządzenie nie jest podłączone do prądu.	Włożyć wtyczkę do uziemionego gniazdka ściennego.
	Nie wciśnięto przycisku zasilania/uruchamiania/zatrzymywania, aby włączyć urządzenie.	Nacisnąć przycisk zasilania/uruchamiania/zatrzymywania, aby włączyć urządzenie.

<b>Składniki nie są całkowicie dopieczone.</b>	Zbyt dużo produktów spożywczych w koszu.	Włożyć mniejsze partie składników do kosza. Mniejsze partie składników są przysmażone bardziej równomiernie.
	Zbyt niska temperatura lub zbyt krótki czas.	Zwiększ temperaturę lub czas gotowania.
<b>Składniki są zapieczone nierówno.</b>	Różne rodzaje produktów mogą wymagać potrząśnięcia w połowie procesu pieczenia.	Potrząsnąć produkty w połowie procesu pieczenia.
<b>Smażone przekąski nie są chrupiące</b>	Użyto przekąsek, które trzeba smażyć w tradycyjnej frytownicy.	Użyć przekąsek przeznaczonych do zapiekania w piekarniku lub lekko posmarować je olejem, aby stały się bardziej chrupiące.
<b>Z urządzenia wydostaje się biały dym.</b>	Użytkownik przygotowuje tłuste produkty.	Podczas smażenia tłustych produktów olej będzie wyciekał do koszyka. Olej wytwarza biały dym, garnek może się nagrzać. Nie wpływa to na rezultaty gotowania i nie uszkodzi urządzenia.
	W koszyku znajdują się wciąż resztki tłuszczu z poprzedniego stosowania.	Wyczyść dokładnie koszyk po każdym użyciu.
<b>Świeże frytki są nierówno usmażone</b>	Nie użyto odpowiedniego rodzaju ziemniaka.	Użyj świeżych ziemniaków.
	Nie optukano dokładnie ziemniaków przed smażeniem.	Dobrze wyptukać sticksy ziemniaczane, aby usunąć skrobię z zewnętrznej warstwy sticksów.
<b>Świeże frytki nie są chrupiące</b>	Chrupkość frytek zależy od ilości oleju i wody we frytkach.	Przed dodaniem oleju należy upewnić się, że sticksy ziemniaczane zostały dobrze wysuszone.
		Aby sticksy ziemniaczane były bardziej chrupiące, można je pokroić na cieńsze paski.
		Aby zwiększyć chrupkość, można dodać trochę więcej oleju.

#### **DANE TECHNICZNE**

Napięcie robocze: 220-240V ~ 50-60Hz

Moc: 1300W

#### **GWARANCJA I SERWIS KONSUMENCKI**

Przed dostarczeniem do klienta nasze urządzenia poddawane są rygorystycznej kontroli jakości. Jeśli, pomimo wszelkich starań, podczas produkcji lub transportu pojawi się uszkodzenie, należy zwrócić urządzenie do sprzedawcy.

Dla każdego zakupionego urządzenia zapewniamy 2 lata gwarancji, poczynając od dnia zakupu. Uszkodzony produkt można zwrócić bezpośrednio w punkcie zakupu.

Niniejsza gwarancja nie obejmuje uszkodzeń spowodowanych niewłaściwą obsługą urządzenia, usterek w wyniku modyfikacji i napraw wykonanych przez strony trzecie lub w wyniku użycia nieoryginalnych części. Należy zachować dowód zakupu, który jest jedyną podstawą złożenia roszczenia gwarancyjnego. Producent nie ponosi odpowiedzialności za uszkodzenia powstałe w wyniku nieprzestrzegania instrukcji obsługi. Powoduje to unieważnienie gwarancji. Producent nie ponosi odpowiedzialności za szkody materiałowe ani obrażenia ciała spowodowane niewłaściwą obsługą urządzenia i nieprzestrzeganiem instrukcji obsługi. Uszkodzenie akcesoriów nie oznacza bezpłatnej wymiany całego urządzenia. W takim wypadku prosimy o kontakt z naszym

serwisem. Stłuczone elementy szklane lub pęknięte elementy plastikowe są wymieniane za opłatą. Uszkodzenia materiałów eksploatacyjnych lub części podlegających zużyciu, a także czyszczenie, konserwacja i wymiana wspomnianych części nie jest objęta gwarancją i podlega opłacie.

#### USUWANIE PRZYJAZNE ŚRODOWISKU



Recykling – Dyrektywa europejska nr 2012/19/UE

Ten znak oznacza, że urządzenia nie należy wyrzucać razem z innymi odpadami domowymi. Aby zapobiec możliwym szkodom dla środowiska i zdrowia ludzi spowodowanym niekontrolowaną utylizacją odpadów, poddaj produkt procesowi recyklingu w celu promowania zrównoważonego ponownego wykorzystywania zasobów materiałowych. Aby zwrócić zużyte urządzenie, skorzystaj z systemu oddawania zużytych produktów lub skontaktuj się ze sprzedawcą. Sprzedawca może przyjąć produkt w celu przeprowadzenia bezpiecznego dla środowiska recyklingu.

Emerio B.V.  
Oudeweg 115  
2031 CC Haarlem  
The Netherlands

**Customer service:**  
T: +31 (0) 23 3034369  
[www.emerio.eu/service](http://www.emerio.eu/service)

**Kundeninformation:**  
T: +49 (0) 3222 1097 600  
[www.emerio.eu/service](http://www.emerio.eu/service)

**Klantenservice:**  
T: +31 (0) 23 3034369  
[www.emerio.eu/service](http://www.emerio.eu/service)

Looking for spare parts? Have a look at <https://spareparts.emerio.eu>

Sie brauchen Ersatzteile? Besuchen Sie <https://ersatzteile.emerio.eu>

Onderdelen nodig? Kijk op <https://onderdelen.emerio.eu>

## Manual de Instrucciones – Spanish

### INSTRUCCIONES DE SEGURIDAD

Antes de utilizar el producto, lea todas las instrucciones que se presentan a continuación para evitar lesiones personales y daños materiales y para obtener unos resultados óptimos del aparato. Asegúrese de mantener este manual en un lugar seguro. Si transfiere el aparato a otra persona, asegúrese de entregarle asimismo el presente manual.

La garantía quedará anulada en caso de daños causados por el incumplimiento por parte del usuario de las instrucciones incluidas en este manual. El fabricante/importador no aceptará ningún tipo de responsabilidad por daños causados por el incumplimiento de las presentes instrucciones o uso negligente o en desacuerdo con los requisitos de este manual.

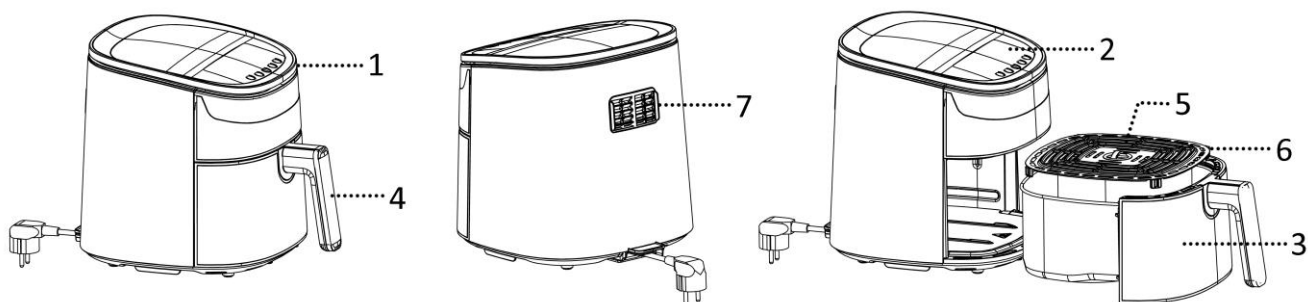
1. Este aparato podrá ser utilizado por niños mayores de 8 años y personas con capacidades físicas, sensoriales o mentales reducidas, o sin la experiencia y los conocimientos necesarios, si están supervisados o han recibido instrucciones con relación al uso del aparato de forma segura y comprenden los riesgos que ello implica.
2. No deberá permitirse que los niños jueguen con el aparato.
3. Las operaciones de limpieza y mantenimiento por parte del usuario no podrán ser realizadas por niños, a menos que sean mayores de 8 años y estén supervisados.
4. Mantenga el aparato y su cable fuera del alcance de niños menores de 8 años.
5. Si el cable de alimentación estuviera dañado, deberá ser sustituido ya sea por el fabricante, su servicio de asistencia técnica o por una persona cualificada. De esta manera, se evitarán riesgos innecesarios.
6. Respecto a las instrucciones para limpiar las superficies que entren en contacto con alimentos o aceite, consulte el apartado " LIMPIEZA Y MANTENIMIENTO " del manual.
7. Este aparato ha sido diseñado para su uso doméstico o en lugares con funciones similares, como: zona de cocina para el personal en tiendas, oficinas u otros entornos de trabajo; casas rurales; clientes de hoteles, moteles y otros entornos de tipo residencial; entornos de servicios de cama y desayuno.
8. Este aparato no está concebido para su uso con un temporizador externo o un sistema de control remoto independiente.
9. Antes de conectar el enchufe a la toma de corriente, compruebe que el voltaje y la frecuencia coinciden con las especificaciones de la etiqueta de características del producto.
10. Desconecte el enchufe de la toma de corriente cuando el aparato no se encuentre en uso y antes de cualquier operación de limpieza.
11. Si se utiliza un cable alargador, deberá ser el adecuado para el consumo eléctrico del aparato, de lo contrario el alargador o el enchufe podrían sobrecalentarse. Peligro potencial de lesión al tropezar con el cable alargador. Tome las precauciones necesarias para evitar situaciones de peligro.
12. Asegúrese de que el cable no cuelgue sobre aristas vivas y manténgalo alejado de objetos calientes y llamas abiertas.
13. No sumerja el aparato ni el enchufe en agua u otros líquidos. ¡Peligro de muerte por electrocución!
14. Para retirar el enchufe de la toma de corriente, tire del enchufe. No tire del cable de alimentación.
15. No toque el aparato si se cayera al agua. En dicho caso, retire el enchufe de la toma de corriente, apague el aparato y llévelo a un servicio técnico autorizado para su reparación.
16. No enchufe ni desenchufe el aparato de la toma de corriente con las manos mojadas.
17. No intente nunca abrir la carcasa del aparato ni reparar el aparato por su cuenta. Esto podría causar una descarga eléctrica.
18. No deje nunca el aparato en funcionamiento sin vigilancia.
19. Este aparato no está diseñado para uso comercial.
20. No utilice al aparato para un uso distinto del previsto.
21. No enrolle el cable en torno al aparato ni lo curve.
22. Coloque el aparato sobre una superficie estable y nivelada de la que no pueda caerse.
23. Evite exponer el producto a suciedad y humedad excesivas.
24. Limpie el producto con un paño ligeramente húmedo.
25. No utilice el aparato sin supervisión. Si tuviera que abandonar el lugar de trabajo, apague siempre el aparato o retire el enchufe de la toma de corriente (tire del enchufe y no del cable).
26. No coloque el aparato contra la pared ni contra otros aparatos. Deje al menos 10 cm de espacio por la parte trasera, los lados y la parte superior del aparato.

27. Durante la freidura con aire caliente, saldrá vapor caliente por las ranuras de salida del aire. Mantenga las manos y el rostro a una distancia segura del vapor y las ranuras de salida del aire. Tenga también cuidado con el vapor y el aire calientes cuando retire la olla del aparato.
28. Desenchufe el aparato inmediatamente si observa humo oscuro saliendo del aparato. Espere a que desaparezcan las emisiones de humo antes de sacar la olla del aparato.
29. Antes de usar el aparato, asegúrese de que la resistencia eléctrica y sus alrededores estén limpios y no tengan restos de comida para garantizar un funcionamiento óptimo.



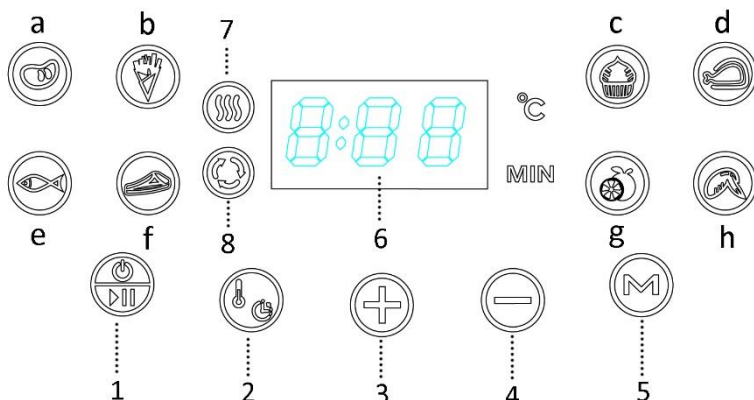
30. **Precaución, superficie caliente.**  
**ADVERTENCIA:** No toque la superficie durante el uso. La temperatura de las superficies accesibles podría ser alta durante el funcionamiento del aparato.
31. El aire caliente sale por las ranuras de aire de la parte trasera del aparato. Asegúrese de que esté a suficiente distancia de materiales que sean sensibles al calor, como el vidrio.
32. Si utiliza productos con superficies antiadherentes, asegúrese de que no haya pájaros en la misma habitación y que la habitación pueda cerrarse del todo y permanecer bien ventilada.
33. Quite siempre el papel de hornear de la cesta después del uso y antes de/durante el precalentamiento sin alimentos.

## DESCRIPCIÓN DE PARTES



1. Entrada de aire
2. Panel de control y pantalla
3. Cesta
4. Asa de la cesta
5. Parrilla de freír
6. Pies de silicona
7. Salida de aire

## Panel de control y pantalla



1. Botón de encendido/inicio/parada
2. Botón de ajuste de temperatura/tiempo
3. Botón de aumento de temperatura/tiempo
4. Botón de disminución de temperatura/tiempo
5. Botón de selección de menú
6. Pantalla
7. Indicador de calentamiento
8. Indicador del ventilador

**Menú:**

- a). carne, b). patatas fritas, c). pastel, d). muslos de pollo,  
 e). pescado, f). filete de carne, g). fruta seca, h). alas de pollo

**PRESENTACIÓN DE LOS MENÚS**

Ingrediente	Temperatura predeterminada	Tiempo de cocción recomendado	Dar la vuelta al alimento	Temperatura ajustable	Tiempo ajustable
Carne	200 °C	15 minutos	Sí	80 °C – 200 °C	1-60 minutos
Patatas fritas	200 °C	20 minutos	Sí	80 °C – 200 °C	1-60 minutos
Pastel	160 °C	15 minutos		80 °C – 200 °C	1-60 minutos
Muslos de pollo	200 °C	20 minutos	Sí	80 °C – 200 °C	1-60 minutos
Pescado	180 °C	20 minutos	Sí	80 °C – 200 °C	1-60 minutos
Filete de carne	200 °C	10 minutos	Sí	80 °C – 200 °C	1-60 minutos
Fruta seca	60 °C	4 horas		60 °C – 80 °C	2-9 horas
Alas de pollo	200 °C	15 minutos	Sí	80 °C – 200 °C	1-60 minutos

**Nota:** En caso de que las instrucciones que se indican en el envase del producto especifiquen valores diferentes a los de la tabla siguiente, deberá seguir las instrucciones del envase.

**ANTES DE USAR EL PRODUCTO**

Lea primero todas las instrucciones antes de usar el producto y guarde el manual para consultas futuras. Enchufe el producto únicamente en una toma con conexión a tierra. Antes de usar el producto por primera vez, retire los materiales del embalaje. Limpie la cesta y la rejilla de la freidora. (Vea “LIMPIEZA Y MANTENIMIENTO”) Pase un paño suave por dentro y por fuera del aparato. Asegúrese de que las piezas eléctricas se mantienen secas. **Este aparato calienta comida en todas direcciones y la mayoría de ingredientes no necesita nada de aceite.**

Antes de usar por primera vez, deje funcionar el aparato unos 10 minutos para quemar cualquier residuo del proceso de fabricación. Asegúrese de que haya una buena ventilación. El aparato puede emitir un poco de humo y un olor característico al encenderlo por primera vez. Esto es normal y desaparece al poco tiempo.

**Nota:** Utilice siempre la rejilla de la freidora con los pies de silicona instalados. Esto ayudará a estabilizar la parrilla de la freidora en la cesta durante la cocción.

**UTILIZACIÓN**

1. Coloque el aparato sobre una superficie seca, estable y resistente al calor.
2. Dado que el aparato se calienta durante su utilización, asegúrese de que no esté demasiado cerca de otros objetos.
3. Saque la cesta del aparato agarrándola desde el mango. Ponga la parrilla de la freidora en la cesta.
4. Coloque los ingredientes en la cesta. Introduzca la cesta en el aparato. Asegúrese de que esté instalada correctamente antes de cerrarlo por completo. El aparato no funcionará en caso contrario. Atención: No

toque la cesta durante la cocción o poco después, dado que estará muy caliente. Coja la cesta desde el mango solamente.

5. Enchufe el aparato a una toma de corriente apropiada. El aparato está ahora en el modo de espera.
6. Pulse una vez el botón de encendido/inicio/parada para activar los demás botones e indicadores. Pulse el botón de ajuste de temperatura/tiempo y, a continuación, pulse los botones « + » o « - » para ajustar la temperatura (de 80 °C a 200 °C) y el tiempo (de 1 a 60 minutos) que desee para los ingredientes. Para ajustar rápido el valor, mantenga pulsados los botones « + » o « - ». Cuando la indicación parpadee en la pantalla, se puede ajustar el valor; cuando la pantalla deje de parpadear, el valor está ajustado.
7. También puede pulsar el botón de selección de menús para elegir directamente entre las funciones de cocción. Si desea ajustar manualmente el tiempo o la temperatura, siga el paso 6 anterior. Tenga en cuenta que en la función de fruta seca la temperatura se puede ajustar de 60 °C a 80 °C y el tiempo de 2 a 9 horas. Para las demás funciones, los rangos disponibles son los mismos que en los ajustes manuales.
8. Pulse de nuevo el botón de encendido/inicio/parada para poner en marcha el aparato. Cuando el aparato esté calentando se encenderá el indicador luminoso. Cuando esté funcionando el ventilador interno, se encenderá el indicador del ventilador. Estos indicadores se encienden y se apagan automáticamente en función del control del programa durante todo el proceso.
9. Una vez finalizado el proceso de cocción, el aparato se detendrá automáticamente y emitirá pitidos. Si desea parar el aparato manualmente, pulse el botón de encendido/inicio/parada: si lo pulsa brevemente, el aparato se pondrá en pausa; si lo mantiene pulsado, finalizará el proceso de cocción y el aparato pasará al modo de espera. En la pantalla parpadea «0:00» y el ventilador funciona durante algunos segundos antes de que el aparato pase al modo de espera.
10. Saque la cesta del aparato agarrándola desde el mango. Compruebe si la comida está lista. De no ser así, vuelva a introducir la cesta en el aparato. Establezca la temperatura y añada unos minutos más al programa de tiempo. A continuación, pulse el botón de encendido/inicio/parada para volver a poner en marcha el aparato. NOTA: También puede sacar la cesta para menear los ingredientes y comprobar su estado durante la cocción. Cuando vuelva a meter la cesta, el aparato reanudará su funcionamiento con los ajustes seleccionados.
11. Vacíe la cesta y ponga la comida en un recipiente o un plato. Para retirar ingredientes grandes o delicados, sáquelos de la cesta con unas pinzas.  
Para retirar la comida (p. ej., ternera, pollo, alimentos con su propio aceite y porciones más aceitosas del fondo de la cesta), utilice unas pinzas para coger las porciones una a una.  
Para retirar la comida (p. ej., patatas fritas, verduras o comida sin su propio aceite), retire la cesta y vuelque su contenido en un plato o un recipiente.
12. Una vez finalizada la cocción, el aparato estará listo para preparar más lotes de comida inmediatamente.

### **CONSEJOS PARA FREÍR**

1. La cantidad ideal de patatas fritas para que queden crujientes es 500 gramos.
2. Añada 3 minutos más al tiempo de cocción si el aparato está frío. También puede precalentar el aparato durante 4 minutos aproximadamente sin ningún ingrediente en el interior.
3. Algunos ingredientes deben agitarse cuando haya transcurrido la mitad del tiempo de cocción. Para agitar los ingredientes o darles la vuelta, saque la cesta del aparato sujetándola por el mango, y agítela o dé la vuelta a los ingredientes con un tenedor (o con unas pinzas). A continuación, vuelva a introducir la cesta en el aparato.
4. Los alimentos recubiertos de pan rallado seco quedarán más crujientes si los vaporiza por encima con un poco de aceite vegetal.
5. Coloque un recipiente o plato de horno en el aparato si desea hornear un pastel o una quiche, así como otros alimentos frágiles.
6. No prepare con este aparato ingredientes extremadamente grasos, como salchichas.

## PRECAUCIÓN:

1. No sumerja la carcasa en agua ni la enjuague bajo el grifo.
2. Evite que entren líquidos en el aparato para prevenir el riesgo de descargas eléctricas o cortocircuitos.
3. Deje todos los alimentos en la cesta para evitar cualquier tipo de contacto con los elementos calefactores.
4. No cubra la entrada y la salida de aire cuando el aparato esté en funcionamiento. Deje un espacio libre de al menos 10cm alrededor y por encima del aparato.
5. ¡Llenar de aceite la sartén colectora puede causar un riesgo de incendio!
6. No toque el interior del aparato cuando esté en funcionamiento.
7. Tenga cuidado con el vapor y el aire calientes cuando extraiga la cesta del aparato.
8. Durante el funcionamiento, se libera vapor caliente a través de la salida de aire. Mantenga sus manos y su rostro a una distancia de seguridad de la salida de vapor y de aire.
9. Si ve que sale humo oscuro del aparato, apague y desenchufe de inmediato el aparato, ya que puede significar que los alimentos se han cocinado en exceso o que el aparato se ha averiado.

## LIMPIEZA Y MANTENIMIENTO

1. Antes de realizar alguna operación o limpieza en el aparato, deje que este se enfríe durante unos 30 minutos. Limpie el aparato por dentro y por fuera regularmente.
2. Limpie el exterior e interior del aparato con un paño húmedo y séquelos con un paño suave y limpio.
3. No use nunca productos de limpieza abrasivos o estropajos abrasivos.
4. Saque la cesta para que el aparato se enfríe más deprisa. Limpie la cesta y la rejilla de la freidora con agua caliente y detergente líquido, utilizando una esponja no abrasiva. Séquelas bien antes de usarlas.
5. Limpie el elemento calefactor que hay en el interior de la carcasa (lo verá después de extraer la cesta) con un cepillo limpiador para retirar todos los residuos de alimentos.

Nota: la cesta y la rejilla de la freidora son resistentes al lavavajillas.

## RESOLUCIÓN DE PROBLEMAS

Problema	Posible causa	Solución
<b>El aparato no funciona.</b>	El aparato no está enchufado.	Conecte el enchufe a una toma de corriente con puesta a tierra.
	No ha pulsado el botón de encendido/inicio/parada para encender el aparato.	Pulse el botón de encendido/inicio/parada para encender el aparato.
<b>La comida no se ha freído del todo.</b>	Ha llenado la cesta demasiado con comida.	Ponga porciones más pequeñas de comida en la cesta. Porciones más pequeñas se freirán de manera más uniforme.
	La temperatura es demasiado baja o el tiempo es insuficiente.	Aumente la temperatura o extienda el tiempo de cocción.
<b>Los ingredientes no se fríen uniformemente.</b>	Algunas comidas puede que necesiten agitarse al llegar a la mitad del tiempo de cocción.	Agite la comida una vez transcurrido la mitad del tiempo de cocción.
<b>Los refrigerios fritos no están crujientes</b>	Ha cocinado un tipo de refrigerio que debe freírse en una freidora tradicional.	Cocine refrigerios para cocinar al horno o úntelos con un poco de aceite para un resultado más crujiente.
<b>Sale humo blanco del aparato.</b>	Está cocinando ingredientes grasos.	Cuando fría ingredientes grasos, goteará aceite en la cesta. El aceite producirá humo blanco y la olla podría calentarse. Esto no afectará el resultado de la cocción ni causará daños en el aparato.
	La olla todavía tiene restos de grasa de la última vez que se utilizó.	Limpie bien la olla después de cada uso.
<b>Las patatas frescas no se fríen</b>	No ha utilizado el tipo de patata correcta.	Utilice patatas frescas.



<b>uniformemente.</b>	No ha enjuagado bien las tiras de patatas antes de freírlas.	Enjuague bien las tiras de patatas para quitarles la capa de fécula.
<b>Las patatas frescas no están crujientes</b>	Lo crujiente que estén unas patatas fritas dependerá de la cantidad de aceite y agua en ellas	Asegúrese de que las tiras de patatas se hayan secado bien antes de añadir el aceite.
		Corte las patatas en tiras más pequeñas para que salgan más crujientes
		Añada un poco más de aceite para que salgan más crujientes

## DATOS TÉCNICOS

Voltaje de operaciones: 220-240V ~ 50-60Hz

Consumo de poder: 1300W

## GARANTIA Y SERVICIO POSVENTA

Antes del suministro, nuestros aparatos se someten a un rigurosos control de calidad. Si a pesar de todos los cuidados surgieran desperfectos durante la producción o el transporte, le rogamos devuelva el aparato a su vendedor.

Para el aparato adquirido otorgamos 2 años de garantía partiendo de la fecha de venta. Si el producto está defectuoso, puede dirigirse directamente al lugar en el que lo compró.

Todos los defectos producidos por el uso indebido del aparato, y las averías debidas a intervenciones y reparaciones por parte de terceros, o el montaje de piezas de repuestos no originales, no están cubiertos por esta garantía. Guarde siempre la factura, sin ella no podrá reclamar ningún tipo de garantía. Nos no será responsable de daños materiales o lesiones personales causadas de un mal uso del aparato o si las instrucciones de seguridad no han sido seguidas correctamente. Nos declina cualquier responsabilidad por daños derivados de no seguir las instrucciones de uso correctamente. Daños en el acceso teorías no significa libre de sustitución automática del aparato completo. En dichos, consulte el servicio al cliente. Los vidrios rotos o rotura de piezas de plástico están siempre sujetas a pago. Los defectos de los consumibles o piezas susceptibles a desgaste, así como la limpieza, mantenimiento o la sustitución de dichas piezas no están cubiertas por la garantía y por lo tanto, se deben pagar.

## RESPETE EL MEDIO AMBIENTE



Reciclaje – Directiva Europea 2012/19/UE

Este símbolo indica que el producto no debe desecharse con otros residuos domésticos. Para evitar posibles daños al medioambiente o la salud humana por una eliminación descontrolada de residuos, recíclelo de forma responsable para promover la reutilización sostenible de los recursos

■ materiales. Para devolver su producto usado, utilice los sistemas de devolución y recogida o contacte con el vendedor en el que adquirió el producto. Pueden llevar este producto a reciclar de forma respetuosa con el medioambiente.

Emerio B.V.

Oudeweg 115

2031 CC Haarlem

The Netherlands

**Customer service:**

T: +31 (0) 23 3034369

[www.emerio.eu/service](http://www.emerio.eu/service)

**Kundeninformation:**

T: +49 (0) 3222 1097 600

[www.emerio.eu/service](http://www.emerio.eu/service)

**Klantenservice:**

T: +31 (0) 23 3034369

[www.emerio.eu/service](http://www.emerio.eu/service)

Looking for spare parts? Have a look at <https://spareparts.emerio.eu>

Sie brauchen Ersatzteile? Besuchen Sie <https://ersatzteile.emerio.eu>

Onderdelen nodig? Kijk op <https://onderdelen.emerio.eu>

## Instrukciju rokasgrāmata – Latvian

### DROŠĪBAS INSTRUKCIJA

Lai izvairītos no traumām vai bojājumu gūšanas, un lai iegūtu labākos rezultātus, ko piedāvā ierīce, pirms lietošanas izlasiet visas zemāk norādītās instrukcijas. Glabājiet šīs lietošanas instrukcijas drošā vietā. Ja jūs iedodat vai nododat šo ierīci kādam citam, līdzi iedodiet arī šīs lietošanas instrukcijas.

Bojājuma gadījumā, ko izraisījis lietotājs, neievērojot norādītās lietošanas instrukcijas, garantija nebūs spēkā. Ražotājs/importētājs neuzņemas nekādu atbildību par zaudējumiem, kas radušies lietošanas instrukciju neievērošanas vai nevēlīgas lietošanas rezultātā, kā arī izmantojot ierīci neatbilstoši šo instrukciju prasībām.

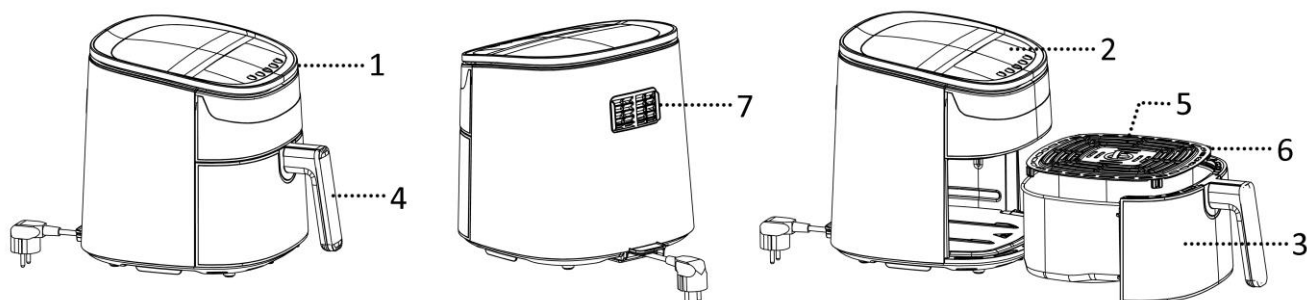
1. Šo ierīci drīkst lietot bērni sākot no 8 gadu vecuma un cilvēki ar fiziskiem, garīgiem vai maņu traucējumiem, kā arī cilvēki bez pieredzes un zināšanām, ja viņus uzrauga vai viņi ir informēti par ierīces drošas lietošanas kārtību un apzinās iespējamo bīstamību.
2. Neļaut bērniem spēlēties ar ierīci.
3. Tīrīšanu un apkopi nav atļauts veikt bērniem, ja vien viņi nav sasnieguši 8 gadu vecumu, un tos neuzrauga pieaugušie.
4. Glabājiet ierīci un tās vadu bērniem, kas jaunāki par 8 gadiem, nepieejamā vietā.
5. Ja ir bojāts strāvas vads, drošības nolūkos ražotājam, tā pilnvarotam servisa darbiniekam vai līdzvērtīgi kvalificētai personai to ir jānomaina.
6. Virsmu, kuras nonāk saskarē ar pārtiku vai eļļu, tīrīšanas instrukcijas, lūdzam skatīt rokasgrāmatas nodaļā "TĪRĪŠANA UN KOPŠANA".
7. Šo ierīci ir paredzēts lietot mājāsaimniecībā un līdzīgās vietās, piemēram, personāla virtuvē veikalos, birojos un citās darbavietās, lauku mājās, viesnīcu, moteļu numuriņos un cita veida apdzīvojamās telpās, kā arī gultasvietas un brokastu tipa viesnīcās.
8. Ierīce nav paredzēta izmantošanai ar ārēja taimera vai atsevišķas tālvadības pults palīdzību.
9. Pirms iespraudiet kontaktdakšu strāvas kontaktligzdā, pārbaudiet, vai spriegums un frekvence atbilst specifikācijas prasībām uz uzlīmes.
10. Kad ierīci neizmantojat un pirms veicat tai tīrīšanas darbus, izvelciet strāvas kontaktdakšu no kontaktligzdas.
11. Ja tiek izmantots pagarinātājsvads, tam jāatbilst ierīces enerģijas patēriņam, pretējā gadījumā pagarinātājsvads un/vai kontaktdakša var pārkarst. Pakļūpot aiz pagarinātājvada, pastāv traumu gūšanas risks. Esiet piesardzīgs, lai izvairītos no bīstamām situācijām.
12. Novietojiet strāvas vadu tā, lai tas nenokarātos virs asām malām un karstiem priekšmetiem, un sekojiet, lai tas nenonāk saskarē ar atklātām liesmām.
13. Neiegremdējiet ierīci vai kontaktdakšu ūdenī vai citos šķidrums. Pastāv draudi dzīvībai, ko izraisa elektriskās strāvas trieciens!
14. Atvienojiet kontaktdakšu no kontaktligzdas, velkot aiz kontaktdakšas. Nevelciet aiz strāvas vada.
15. Nepieskarieties ierīcei, ja tā iekritusi ūdenī. Izvelciet kontaktdakšu no kontaktligzdas, izslēdziet ierīci un nogādājiet to pilnvarotā servisa centrā, kur tai veiks remontu.
16. Nesavienojiet un neatvienojiet ierīci no strāvas kontaktligzdas, velkot kontaktdakšu ar mitru roku.
17. Nekādā gadījumā nemēģiniet atvērt ierīces korpusu vai salabot ierīci pašrocīgi. Tas var izraisīt elektriskās strāvas triecienu.
18. Nekad neatstājiet ierīci bez uzraudzības darbības laikā.
19. Šī ierīce nav paredzēta komerciālai lietošanai.
20. Neizmantojiet ierīci mērķiem, kam tā nav paredzēta.
21. Netiniet vadu ap ierīci un nesalieciet to.
22. Novietojiet ierīci uz stabilas un līdzenas virsmas, no kuras tā nevar nokrist.
23. Raugiet, lai produkts netiktu pakļauts mitrumam un pārāk daudz netīrumiem.
24. Notīriet produktu no ārpuses ar samitrinātu lupatiņu.
25. Nelietojiet ierīci bez uzraudzības, ja jums ir jādodas projām no darbavietas, vienmēr izslēdziet to vai izvelciet kontaktdakšu no kontaktligzdas (velciet aiz kontaktdakšas, nevis vada).
26. Nenovietojiet ierīci pret sienu vai citu ierīci. Atstājiet vismaz 10 cm brīvu vietu ierīces aizmugurē, sānos un virs tās.
27. Cepšanas laikā caur gaisa izplūdes atverēm izdalās karsts tvaiks. Turiet rokas un seju drošā attālumā no tvaika un gaisa izplūdes atverēm. Sargieties no karstā tvaika un gaisa, kad noņemat pannu no ierīces.

28. Nekavējoties atvienojiet ierīci no elektrotīkla, ja no tās izplūst tumši dūmi. Pirms izņemat pannu no ierīces, pagaidiet, kamēr no tās vairs neplūst dūmi.
29. Lai ierīce darbotos nevainojami, pirms katras lietošanas reizes apskatiet, vai sildelements un vieta ap to ir tīra un uz tās nav pārtikas atlikumu.



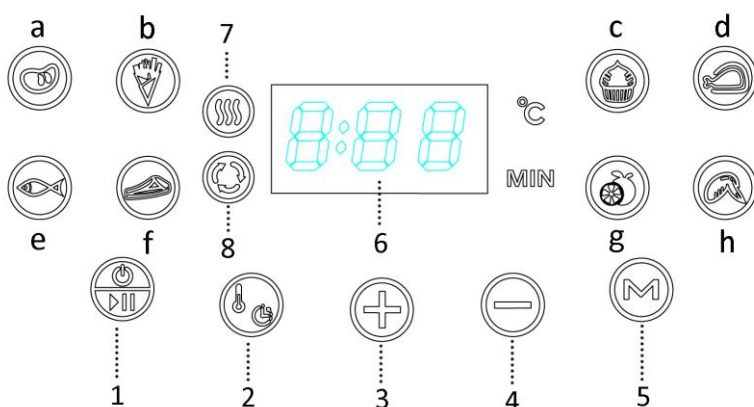
30. **Uzmanību, karsta virsma!**  
**BRĪDINĀJUMS!** Nepieskarieties ieslēgta gludekļa virsmai! Atklātās daļas virsmas temperatūra gludekļa darbības laikā var būt augsta.
31. Karstais gaiss izplūst no gaisa atveres ierīces aizmugurējā daļā. Ievērojiet pietiekami drošu attālumu līdz tādiem materiāliem kā stikls, kas ir jutīgi pret karstumu.
32. Ja izmantojat izstrādājumus ar nepiedegošo virsmu, gatavošanas telpā nedrīkst atrasties putni, un telpai jābūt pilnībā noslēdzamai un pietiekami labi izvēdināmai.
33. Vienmēr izņemiet cepamo papīru no groza pēc un pirms lietošanas/uzsildīšanas laikā bez pārtikas produktiem.

## DAĻU APRAKSTS



1. Gaisa ieplūdes atvere
2. Vadības panelis un displejs
3. Grozs
4. Groza rokturis
5. Cepšanas grils
6. Silikona kājiņas
7. Gaisa izplūdes atvere

## Vadības panelis un displejs



1. Ieslēgšanas/palaišanas/apturēšanas poga
2. Temperatūras/laika iestatīšanas poga
3. Temperatūras/laika pagarināšanas poga (+)
4. Temperatūras/laika saīsināšanas poga (-)

5. Izvēlnes atlasē poga
6. Displeja ekrāns
7. Uzsilšanas indikators
8. Ventilatora indikators

**Izvēlne:**

- a). gaļa, b). čipsi, c). kūka, d) vistas stilbiņš,
- e). zivis, f). steiks, g). žāvēti augļi, h). vistas spārniņš

**IZVĒLNE**

Sastāvdaļa	Ieteiktā temperatūra	Ieteiktais gatavošanas laiks	Ēdiena apgrīšana	Regulējama temperatūra	Regulējams laiks
Gaļa	200 °C	15 minūtes	Jā	80 °C – 200 °C	1-60 minūtes
Čipsi	200 °C	20 minūtes	Jā	80 °C – 200 °C	1-60 minūtes
Kūka	160 °C	15 minūtes		80 °C – 200 °C	1-60 minūtes
Vistu spārniņi	200 °C	20 minūtes	Jā	80 °C – 200 °C	1-60 minūtes
Zivis	180 °C	20 minūtes	Jā	80 °C – 200 °C	1-60 minūtes
Steiks	200 °C	10 minūtes	Jā	80 °C – 200 °C	1-60 minūtes
Žāvēti augļi	60 °C	4 stundas		60 °C – 80 °C	2-9 stundas
Vistu spārniņi	200 °C	15 minūtes	Jā	80 °C – 200 °C	1-60 minūtes

**Piezīme!** Ja gatavošanas norādījumi uz produkta iepakojuma atšķiras no šajā tabulā norādītajām vērtībām, jāievēro norādījumi uz iepakojuma.

**PIRMS LIETOŠANAS**

Pirms lietošanas vispirms izlasiet visus norādījumus un saglabāiet rokasgrāmatu vēlākai pārlasīšanai. Pievienojiet ierīci tikai iezemētai kontaktligzdai. Pirms pirmās lietošanas reizes jānoņem iepakojuma materiāli. Notīriet grozu un cepšanas grilu. (Izlasiet sadaļu "TĪRĪŠANA UN KOPŠANA") Izslaukiet ierīci no iekšpuses un noslaukiet no ārpuses ar mīkstu lupatiņu. Elektriskajām daļām ir jābūt sausām. **Ierīces ģenerētais karstums uz pārtiku izplatās visos virzienos, tādēļ lielākajai daļai sastāvdaļu nav nepieciešama eļļa.**

Pirms pirmās lietošanas reizes ieslēdziet ierīci uz apmēram 10 minūtēm, lai sadedzinātu ražošanas atlikumus. Telpā jābūt nodrošinātai pietiekamai ventilācijai. Ieslēdzot ierīci pirmo reizi, var izdalīties nedaudz dūmi un piedeguma smaka. Tas ir normāli un drīz izzūd.

**Piezīme.** Vienmēr izmantojiet cepšanas grilu ar piestiprinātām silikona kājiņām. Gatavošanas laikā tie palīdzēs stabilizēt grozā cepšanas grilu.

**LIETOŠANA**

1. Nolieciet ierīci uz sausas, stabilas un karstumizturīgas virsmas.
2. Tā kā ierīce lietošanas laikā kļūst karsta, nenovietojiet to pārāk tuvu citiem objektiem.
3. Izvelciet grozu no ierīces, pieturot aiz groza roktura. Ielieciet cepšanas grilu grozā.
4. Ieberiet grozā sastāvdaļas. Iebīdīet grozu ierīcē. Grozam jābūt pareizi novietotam un ierīcei jābūt pilnībā aizvērtai. Pretējā gadījumā ierīce nedarbosies. Uzmanību! Lietošanas laikā vai neilgi pēc tās nepieskarieties grozam, jotas gatavošanas laikā kļūst ļoti karsts. Pieskarieties tikai groza rokturim.
5. Iespraudiet kontaktdakšu piemērotā kontaktligzdā. Ierīce tagad ir gaidīšanas režīmā.
6. Nospiediet pogu ieslēgšana/palaišana/apturēšana vienu reizi, lai aktivizētu citas pogas un indikatorus. Nospiediet temperatūras/laika iestatīšanas pogu un pēc tam "+" vai "-", lai iestatītu vēlamu temperatūru (80 °C – 200 °C) un laiku (1 – 60 minūtes) sastāvdaļu gatavošanai. Nospiežot un pieturot pogu "+" vai "-",

vērtību var pielāgot ātrāk. Kad sāk mirgot displejs, vērtību var pielāgot; kad vērtība ir iestatīta, displejs vairs nemirgo.

- Lai no izvēlnes atlasītu ēdiena gatavošanas funkcijas, varat arī nospiest izvēlnes atlasē pogu. Ja vēlaties manuāli pielāgot laiku un temperatūru, izpildiet iepriekš norādīto 6. darbību. Ņemiet vērā, ka žāvētu augļu funkcijai temperatūru var noregulēt no 60 °C līdz 80 °C, bet laiku — no 2 līdz 9 stundām, citām funkcijām ir tāds pats regulējams diapazons, kāds tas ir manuālajiem iestatījumiem.
- Vēlreiz nospiediet ieslēgšanas/palaišanas/apturēšanas pogu; ierīce sāks darboties. Ierīces uzsilšanas laikā iedegas uzsilšanas indikators. Iekšējā ventilatora ieslēgšanās brīdī iedegas ventilatora indikators. Šie indikatori iedegas un izslēdzas automātiski atbilstoši iestatītajai programmai visa procesa laikā.
- Kad viss gatavošanas process ir pabeigts, ierīce automātiski apstājas un atskan signāls. Ierīci var apturēt arī manuāli, nospiežot ieslēgšanas/palaišanas/apturēšanas pogu: īsi nospiežot pogu, tiks apturēta ierīce; nospiežot un pieturot pogu, tiks apturēts gatavošanas process un ierīce pāries gaidstāves režīmā. Ekrānā mirgo "0:00" un ventilators darbojas dažas sekundes, pirms ierīce pāriet gaidstāves režīmā.
- Izvelciet grozu no ierīces, pieturot aiz groza roktura. Pārbaudiet, vai ir gatavas sastāvdaļas. Ja vēl nav, vienkārši iebīdīet grozu atpakaļ ierīcē. Iestatiet temperatūru un taimeri uz dažām papildu minūtēm. Pēc tam nospiediet pogu ieslēgšana/palaišana/apturēšana, lai vēlreiz ieslēgtu ierīci. **PIEZĪME.** Grozu var izvilkt arī gatavošanas laikā, lai pārbaudītu un sakratītu sastāvdaļas. Kad grozs tiek iebīdīts atpakaļ, ierīce turpina darboties ar izvēlēto iestatījumu.
- Iztukšojiet grozu, ieliekot pagatavoto pārtiku bļodā vai uz šķīvja. Lai izņemtu no groza lielas vai trauslas sastāvdaļas, izņemiet sastāvdaļas no groza ar knaiblēm.  
Sastāvdaļu izņemšanai (piemēram, liellopu gaļa, vistas gaļa, cita veida gaļa), kurām ir sava eļļa vai liekā eļļa, izmantojiet knaibles, lai izņemtu sastāvdaļas pa vienai, jo no visām sastāvdaļām būs iztecējusi un groza apakšā sakrājusies liekā eļļa.  
Sastāvdaļu izņemšanai (piemēram, čipsu, dārzeņu), kurām groza apakšā nav liekās eļļas, izvelciet grozu un ielejiet sastāvdaļas traukos.
- Kad gatavošana ir pabeigta, ierīci var uzreiz izmantot nākamo sastāvdaļu vai papildporciju pagatavošanai, ja nepieciešams.

### **PADOMI GATAVOŠANAI AR EĻĻU**

- Optimālais daudzums kraukšķīgu kartupeļu pagatavošanai ir 500 grammi.
- Kad ierīce ir auksta, pieskaitiet gatavošanas laikam 3 minūtes, vai arī pagaidiet apm. 4 minūtes bez ievietotām sastāvdaļām, kamēr ierīce uzkarst.
- Daži produkti ir jāsakrata vai jāapgriež gatavošanas laikā. Lai sakratītu vai apgrieztu produktus, izvelciet grozu no ierīces aiz roktura un sakratiet vai apgrieziet ar dakšīņu (vai knaiblēm). Pēc tam iebīdīet grozu atpakaļ ierīcē.
- Produkti ar sausās rīvmaizes garozu kļūst kraukšķīgāki, ja uz tiem uzsmidzina nedaudz augu eļļas.
- Ievietojiet ierīcē cepešpannu vai cepeškrāsns trauku, ja vēlaties cept kūku, pīrāgs ar sāļo pildījumu vai citas trauslas sastāvdaļas.
- Negatavojiet ierīcē stipri taukainus pārtikas produktus, piemēram, desu.

### **UZMANĪBU!**

- Nekad neiegremdējiet korpusu ūdenī un neskalojiet zem krāna ūdens.
- Nepieļaujiet, ka ierīcē iekļūst šķidrums, lai izvairītos no elektriskās strāvas trieciena vai īssavienojuma.
- Glabājiet visas sastāvdaļas grozā, lai novērstu saskari ar sildelementiem.
- Neaizklājiet ieslēgtas ierīces laikā gaisa ieplūdes un izplūdes atveres. Atstājiet vismaz 10 cm brīvu vietu ap ierīci un virs tās.
- Iepildot grozā eļļu, varat izraisīt ugunsgrēku!
- Ierīces darbības laikā nepieskarieties tās iekšpusei.
- Sargieties no karstā tvaika un gaisa, kad izņemat grozu no ierīces.

- Ieslēgtas ierīces laikā caur gaisa izplūdes atveri izdalās karsts tvaiks. Turiet rokas un seju drošā attālumā no tvaika un gaisa izplūdes atveres.
- Ja pamanāt, ka no ierīces izplūst tumši dūmi, tas nozīmē, ka pārtika ir pārgatavojusies vai ierīce ir bojāta, nekavējoties izvelciet ierīces elektriskās strāvas vadu no kontaktrozetes.

### TĪRĪŠANA UN KOPŠANA

- Pirms ierīces lietošanas vai tīrīšanas uzgaidiet apmēram 30 minūtes, kamēr tā atdziest. Regulāri notīriet ierīci no iekšpuses un ārpusē.
- Noslaukiet ierīces ārpusi un iekšpusi ar mitru un pēc tam ar sausu lupatiņu.
- Nekādā gadījumā nelietojiet abrazīvus tīrīšanas līdzekļus vai sūkļus.
- Izņemiet grozu, lai ierīce ātrāk atdziest. Nomazgājiet grozu un cepšanas grilu siltā ūdenī ar mazgāšanas līdzekli un neabrazīvu sūkli. Pirms lietošanas kārtīgi nosusiniet.
- Notīriet sildelementu korpusa iekšpusē (to var redzēt pēc groza izvilkšanas) ar tīrīšanas birstīti, lai noņemtu pārtikas paliekas.

Piezīme! Grozu un cepšanas grilu var mazgāt trauku mazgājamajā mašīnā.

### PROBLĒMU NOTEIKŠANA UN NOVĒRŠANA

Problēma	Iespējamais cēlonis	Risinājums
<b>Ierīce nedarbojas.</b>	Ierīce nav pievienota barošanas avotam.	Iespraudiet kontaktdakšu iezemētā sienas kontaktligzdā.
	Nav nospiesta ieslēgšanas/palaišanas/apturēšanas poga, ar ko ieslēdz ierīci.	Nospiediet ieslēgšanas/palaišanas/apturēšanas pogu, lai ieslēgtu ierīci.
<b>Ēdiens nav līdz galam pagatavots.</b>	Grozā pārāk daudz pārtikas produktu.	Ielieciet grozā mazāk sastāvdaļu. Mazākas sastāvdaļu tiek pagatavotas vienmērīgāk.
	Pārāk zema temperatūra vai nav pietiekams gatavošanas ilgums.	Paaugstiniet temperatūru vai pieskaitiet papildu gatavošanas laiku.
<b>Nevienmērīgi apcepti pārtikas produkti.</b>	Dažus pārtikas produktus gatavošanas laikā ir jāsakrata.	Sakratiet produktus gatavošanas laikā.
<b>Ceptās uzkodas nav kraukšķīgas</b>	Tika atlasīts uz kodu veids, ko gatavo parastajā cepšanas ierīcē.	Lai uzkodas un našķi būtu kraukšķīgāki, izmantojiet cepeškrāsns uz kodu programmu vai uzklājiet tām nedaudz eļļas.
<b>No ierīces izdalās balti dūmi.</b>	Jūs gatavojat eļļainus produktus.	Eļļainu produktu gatavošanas laikā grozā ietek eļļa. Eļļa rada baltus dūmus, un var sakarst panna. Tas neietekmē gatavošanas rezultātu un nesabojā ierīci.
	Grozā ir eļļas atlikumi no iepriekšējās gatavošanas reizes.	Iztīriet grozu pareizi pēc katras lietošanas reizes.
<b>Nevienmērīgi sacepti svaigi kartupeļi</b>	Nav izmantots pareizais kartupeļu veids.	Izmantojiet svaigus kartupeļus.
	Pirms cepšanas nav kārtīgi noskaloti kartupeļu salmiņi.	Kārtīgi noskalojiet kartupeļu salmiņus, lai no tiem atdalītu cieti.
<b>Mīksti frī kartupeļi.</b>	Frī kartupeļu kraukšķīgums ir atkarīgs no eļļas un ūdens daudzuma kartupeļos	Pirms eļļas pievienošanas kartupeļu salmiņiem ir jābūt kārtīgi nosusinātiem.
		Lai iegūtu kraukšķīgākus kartupeļus, sagrieziet tos sīkākos salmiņos.
		Lai iegūtu kraukšķīgākus kartupeļus, pievienojiet nedaudz vairāk eļļas.

### TEHNISKIE DATI

Darbības spriegums: 220-240V ~ 50-60Hz

Enerģijas patēriņš: 1300W

## GARANTIJA UN KLIENTU APKALPOŠANA

Pirms ierīču izlaišanas tirgū tām tiek veikta rūpīga kvalitātes kontrole. Ja, neskatoties uz visiem rūpīgajiem kontroles pasākumiem, ražošanas vai pārvadāšanas laikā ir radies bojājums, nogādājiert ierīci izplatītājam.

Pārdotajai ierīcei mēs nodrošinām 2 gadu garantiju, sākot no pārdošanas datuma. Ja jūsu ierīce ir bojāta, varat doties tieši uz tirdzniecības vietu.

Defekti, kas rodas ierīces neatbilstošas lietošanas vai kļūmju dēļ, jo trešās puses ir izmainījušas ierīces konstrukciju, ir veikušas remontdarbus vai ir uzstādītas neoriģinālās detaļas, netiek segti šajā garantijā. Vienmēr saglabājiert čekū. Bez čeka nevar veikt prasības saskaņā ar garantiju. Ja bojājumi tiek radīti, neievērojot lietošanas instrukcijā norādīto, garantija nav spēkā. Ja rodas izrietošie bojājumi, mēs neuzņemamies atbildību. Mēs arī neuzņemamies atbildību par materiālu bojājumiem vai personīgām traumām, kas rodas, nepareizi lietojot ierīci, ja netiek atbilstoši izpildīti lietošanas instrukcijā sniegtie norādījumi. Piederumiem radītie bojājumi nenozīmē, ka bez maksas tiek aizstāta visa ierīce. Šādos gadījumos saziņieties ar tehniskās apkalpes dienestu. Par saplīsušu stiklu vai plastmasas detaļām vienmēr ir jāmaksā. Garantijā nav iekļauti un netiek apmaksāti defekti patērējamajām precēm vai detaļām, kas pakļautas nodilumam, kā arī iepriekš minēto detaļu tīrīšana, apkope un nomaiņa.

## LIKVIDĒŠANA VIDEI DRAUDZĪGĀ VEIDĀ



Atkritumu pārstrāde – Eiropas Direktīva 2012/19/ES

Šāds simbols norāda, ka šo izstrādājumu nedrīkst izmest kopā ar citiem sadzīves atkritumiem. Lai novērstu iespējamu kaitējumu videi vai cilvēka veselībai, kas rodas no nekontrolētas atkritumu izmešanas, pārstrādājiert to, lai veicinātu ilgtspējīgu materiālrērsu atkārtotu izmantošanu. Lai

nodotu jūsu izmantoto ierīci, lūdzū, izmatojiert nodošanas un savākšanas sistēmas vai saziņieties ar vietu, kurā iegādājierties produktu. Viņi var pieņemt produktu, lai to pārstrādātu videi draudzīgā veidā.

Emerio B.V.  
Oudeweg 115  
2031 CC Haarlem  
The Netherlands

**Customer service:**  
T: +31 (0) 23 3034369  
[www.emerio.eu/service](http://www.emerio.eu/service)

**Kundeninformation:**  
T: +49 (0) 3222 1097 600  
[www.emerio.eu/service](http://www.emerio.eu/service)

**Klantenservice:**  
T: +31 (0) 23 3034369  
[www.emerio.eu/service](http://www.emerio.eu/service)

Looking for spare parts? Have a look at <https://spareparts.emerio.eu>

Sie brauchen Ersatzteile? Besuchen Sie <https://ersatzteile.emerio.eu>

Onderdelen nodig? Kijk op <https://onderdelen.emerio.eu>

## Instrukcijų vadovas – Lithuanian

### SAUGOS NURODYMAI

Prieš naudodami perskaitykite visus tolesnius nurodymus, kad išvengtumėte sužalojimo arba apgadinimo ir kad prietaisas duotų geriausių rezultatų. Pasidėkite šią instrukciją saugioje vietoje. Jei duodate arba perleidžiate šį prietaisą kitam asmeniui, būtinai pridėkite šią instrukciją.

Jei naudotojas susižalos todėl, kad nesilaikė šios instrukcijos nurodymų, garantija negalios. Gamintojas / importuotojas nepriima atsakomybės už žalą, padarytą dėl šios instrukcijos nesilaikymo, aplaidaus naudojimo arba naudojimo ne pagal šios instrukcijos nurodymus.

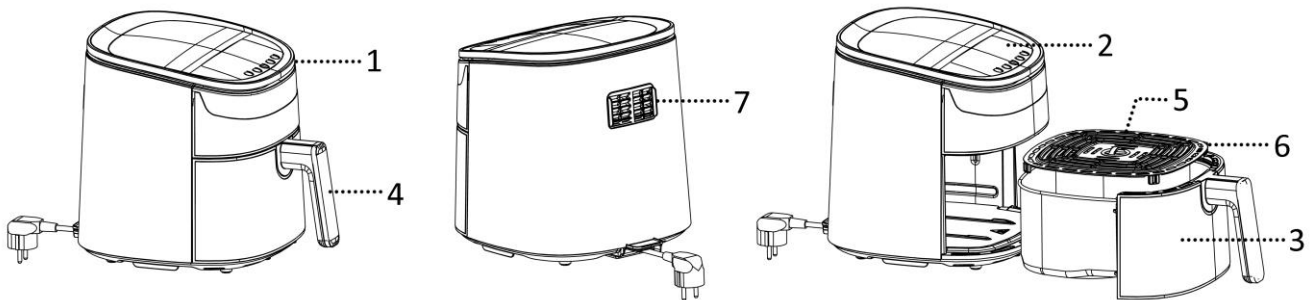
1. Šį prietaisą gali naudoti vaikai nuo 8 metų ir asmenys su blogesniais fiziniiais, jutimniais arba protiniais sugebėjimais, arba neturintys pakankamai patirties bei žinių tik juos prižiūrint arba apmokius kaip saugiai naudoti prietaisą ir supažindinus su susijusiais pavojais.
2. Vaikams negalima žaisti su šiuo prietaisu.
3. Vaikai negali valyti ir atlikti techninės priežiūros, nebent jie yra vyresni nei 8 metų ir yra prižiūrimi.
4. Prietaisą ir jo laidą laikykite vaikams iki 8 metų neprieinamoje vietoje.
5. Jei maitinimo laidas yra pažeistas, gamintojas, aptarnavimo tarpininkas ar panašiai kvalifikuotas asmuo jį turi pakeisti, tam, kad būtų išvengta pavojaus.
6. Su maistu ar aliejumi kontaktuojančių paviršių valymo instrukcijas rasite vadovo skyriuje „VALYMAS IR PRIEŽIŪRA“.
7. Šis prietaisas skirtas naudoti buityje ir panašiose srityse, pavyzdžiui, parduotuvių, biurų ir kitų darbo vietų virtuvėse, ūkiuose, viešbučių, motelių ir kitų gyvenamųjų patalpų klientams, nakvynės ir pusryčių tipo patalpose.
8. Šis prietaisas neskirtas veikti su išoriniu laikmačiu arba atskira nuotolinio valdymo sistema.
9. Prieš įkišant kištuką į elektros lizdą patikrinkite, ar įtampa ir dažnis atitinka klasifikavimo etiketėje nurodytas specifikacijas.
10. Kai prietaiso nenaudojate arba prieš valydami, ištraukite kištuką iš elektros lizdo.
11. Jei naudojimas ilgintuvas, jis turi būti pritaikytas prietaiso naudojamai elektros energijai, antraip gali perkaisti ilgintuvas ir (arba) kištukas. Kyla pavojus susižaloti užkliuvus už ilginimo laido. Būkite atsargūs ir venkite pavojingų situacijų.
12. Pasirūpinkite, kad elektros laidas nekabėtų ant aštrių briaunų ir saugokite jį nuo įkaitusių daiktų bei atviros liepsnos.
13. Nejmerkite prietaiso arba jo kištuko į vandenį arba kitą skystį. Yra pavojus gyvybei dėl elektros smūgio!
14. Norėdami ištraukti kištuką iš elektros lizdo, traukite už kištuko. Netraukite elektros laido.
15. Nelieskite prietaiso, jei jis įkrito į vandenį. Ištraukite kištuką iš elektros lizdo, išjunkite prietaisą ir nusiųskite jį į galiojantį servisą taisyti.
16. Neįjunkite prietaiso į elektros lizdą ir neišjunkite iš jo drėgnomis rankomis.
17. Niekada neatidarinkite prietaiso korpuso ir netaisykite prietaiso patys. Galite patirti elektros smūgį.
18. Niekada nepalikite įjungto prietaiso be priežiūros.
19. Šis prietaisas neskirtas naudoti komercinėms reikmėms.
20. Nenaudokite prietaiso kitoms reikmėms nei nurodyta.
21. Nesukite elektros laido aplink prietaisą ir nesulenkite jo.
22. Padėkite prietaisą ant stabilaus, lygaus paviršiaus, nuo kurio jis nenukristų.
23. Nenaudokite gaminio pernelyg nešvarioje aplinkoje ir neleiskite, kad jį veiktų drėgmė.
24. Patį gaminį valykite šiek tiek drėgna šluoste.
25. Nepalikite prietaiso veikti be priežiūros, jei turėtumėte išeiti iš darbo vietos, visada išjunkite prietaisą arba ištraukite kištuką iš lizdo (traukite patį kištuką, o ne laidą).
26. Nestatykite prietaiso prie sienos ar prie kito prietaiso. Palikite bent 10 cm laisvos vietos prietaiso užpakalinėje pusėje, šonuose ir virš jo.
27. Kepant karštu oru, per oro išleidimo angas sklinda karšti garai. Rankas ir veidą laikykite saugiu atstumu nuo garų ir oro išleidimo angų. Be to, saugokitės karštų garų ir oro išimdami keptuvę iš prietaiso.
28. Jei matote iš prietaiso sklindančius tamsius dūmus, nedelsdami atjunkite prietaisą nuo elektros tinklo. Prieš išimdami keptuvę iš prietaiso palaukite, kol nebesklis dūmai.
29. Kad veiktų nepriekaištingai, kaskart prieš naudodami prietaisą įsitinkinkite, kad kaitinimo elementas ir vieta aplink jį yra švarūs, be maisto likučių.





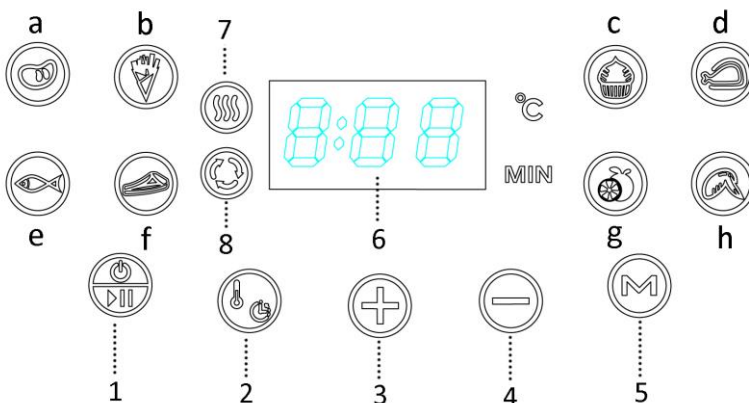
30. Uzmanību, karsta virsma!  
BRĪDINĀJUMS! Nepieskarties ieslēgta gludekļa virsmai! Atklātās daļas virsmas temperatūra gludekļa darbības laikā var būt augsta.
31. Karštas oras išeina išpakalinėje prietaiso pusėje esančios oro išleidimo angos. Būtinai laikykitės pakankamo atstumo iki karščiui jautrių medžiagų, pvz., stiklo.
32. Jei naudojate gaminius su nelimpančiais paviršiais, įsitinkinkite, kad toje pačioje patalpoje nėra paukščių ir kad kambarį galima visiškai uždaryti ir gerai vėdinti.
33. Visada išimkite kepimo popierių iš krepšelio po naudojimo ir prieš išankstinį kaitinimą be maisto arba jo metu.

## DALIŲ APRAŠYMAS



1. Oro siurbimo anga
2. Valdymo skydelis ir ekranas
3. Krepšelis
4. Krepšelio rankena
5. Kepimo grotelės
6. Silikoninės kojėlės
7. Oro išleidimo anga

## Valdymo skydelis ir ekranas



1. Maitinimo / paleidimo / sustabdymo mygtukas
2. Temperatūros ir laiko nustatymo mygtukas
3. Temperatūros ir laiko didinimo mygtukas
4. Temperatūros ir laiko mažinimo mygtukas
5. Meniu pasirinkimo mygtukas
6. Rodmenų ekranas
7. Kaitinimo indikatorius
8. Ventiliatoriaus indikatorius

**Meniu:**

a) Mėsa, b) Bulvytės, c) Pyragas, d) Vištienos šlaunelės,  
e) Žuvis, f) Kepsnys, g) Džiovinti vaisiai, h) Vištienos sparneliai

**MENIU PRISTATYMAS**

Ingredientas	Numatytoji temperatūra	Siūlomas gaminimo laikas	Maisto apvertimas	Reguliuojama temperatūra	Reguliuojamas laikas
Mėsa	200 °C	15 minučių	Taip	80–200 °C	1–60 minučių
Bulvytės	200 °C	20 minučių	Taip	80–200 °C	1–60 minučių
Pyragas	160 °C	15 minučių		80–200 °C	1–60 minučių
Vištienos šlaunelės	200 °C	20 minučių	Taip	80–200 °C	1–60 minučių
Žuvis	180 °C	20 minučių	Taip	80–200 °C	1–60 minučių
Kepsnys	200 °C	10 minučių	Taip	80–200 °C	1–60 minučių
Džiovinti vaisiai	60 °C	4 valandos		60–80 °C	2–9 valandos
Vištienos sparneliai	200 °C	15 minučių	Taip	80–200 °C	1–60 minučių

**Pastaba:** Jei nurodymai ant produkto pakuotės nesutampa su šioje lentelėje nurodytomis vertėmis, reikia vadovautis nurodymais ant pakuotės.

**PRIEŠ PRADĖDAMI NAUDOTI**

Prieš naudodami perskaitykite visas instrukcijas ir saugokite vadovą, nes jo gali prireikti ateityje. Prietaisąjunkite tik į žemintą elektros lizdą. Prieš pirmą kartą naudodami nuimkite visas pakavimo medžiagas. Išvalykite krepšelį ir kepimo groteles. (Žr., „VALYMAS IR PRIEŽIŪRA“) Išvalykite prietaiso vidų ir nuvalykite išorę minkštu skudurėliu. Įsitinkite, kad elektrinės dalys būtų sausos. **Šiame prietaise maistas šildomas visomis kryptimis, o daugumai produktų nereikia aliejaus.**

Prieš pradėdami naudoti prietaisą leiskite jam veikti apie 10 min., kad išdegtų gamybos likučiai. Įsitinkite, kad yra gera ventiliacija. Pirmą kartą įjungus prietaisą, iš jo gali skliti dūmų ir specifinis kvapas. Tai yra normalu ir greitai baigsis.

**Pastaba.** Gruzdintuvę visada naudokite pritvirtinę silikonines kojeles. Jie padės kepimo metu stabilizuoti kepimo groteles krepšelyje.

**NAUDOJIMAS**

1. Padėkite prietaisą ant sauso, stabilaus ir karščiui atsparaus paviršiaus.
2. Kadangi prietaisas naudojimo metu įkaista, įsitinkite, kad jis nėra per arti kitų daiktų.
3. Ištraukite krepšelį iš prietaiso laikydami už krepšelio rankenos. Įdėkite kepimo groteles į krepšelį.
4. Sudėkite maisto produktus į krepšelį. Įstumkite krepšelį į prietaisą. Įsitinkite, kad jis įdėtas teisingai ir iki galo uždarytas. Priešingu atveju prietaisas neveiks. Dėmesio. Nelieskite krepšelio kepant ar iškart pabaigus kepti, nes jis labai įkaista. Krepšelį laikykite tik už rankenos.
5. Prijunkite maitinimo kištuką prie tinkamo elektros lizdo. Prietaisas įsijungia į parengties režimą.
6. Vieną kartą spustelėkite maitinimo / paleidimo / sustabdymo mygtuką, kad įjungtumėte kitus mygtukus ir indikatorius. Paspauskite temperatūros ir laiko nustatymo mygtuką ir po to „+“ arba „–“, kad nustatytumėte pageidaujamą temperatūrą (80–200 °C) ir ingredientų kepimo trukmę (1–60 minučių). Paspaudę ir palaukę nuspaudę „+“ arba „–“ mygtuką vertę galite nustatyti greičiau. Kai ekrane rodmuo mirksi, vertę galima keisti; kai rodmuo nemirksi, vertė yra nustatyta.

7. Taip pat galite paspausti meniu pasirinkimo mygtuką, kad tiesiogiai meniu pasirinktumėte maisto ruošimo funkcijas. Jei laiką ir temperatūrą norite reguliuoti rankiniu būdu, vadovaukitės nurodymais 6 žingsnyje. Atkreipkite dėmesį, kad džiovintų vaisių funkcijos temperatūra reguliuojama nuo 60 °C iki 80 °C, o laikas – nuo 2 iki 9 valandų; kitų funkcijų nuostatų reguliavimo diapazonas toks pat, kaip ir rankinių nuostatų.
8. Dar kartą spustelėkite maitinimo / paleidimo / sustabdymo mygtuką; prietaisas pradeda veikti. Kai prietaisas kaista, užsidega kaitinimo indikatorius. Kai veikia vidinis ventiliatorius, užsidega ventiliatoriaus indikatorius. Šie indikatoriai viso proceso metu automatiškai užsidega ir užgęsta pagal programos valdymą.
9. Gaminimo procesui pasibaigus, prietaisas automatiškai sustoja ir suskamba garsinis signalas. Prietaisą galite sustabdyti ir rankiniu būdu, paspausdami maitinimo / paleidimo / sustabdymo mygtuką: trumpai spustelėjus prietaisas sustoja; spaudžiant ilgiau maisto gaminimo procesas užbaigiamas ir prietaisas pereina į parengties režimą. Prieš persijungiant prietaisui į parengties režimą, ekrane mirksi „0:00“ rodmuo ir kelioms sekundėms įsijungia ventiliatorius .
10. Ištraukite krepšelį iš prietaiso laikydami už krepšelio rankenos. Patikrinkite, ar ingredientai iškepę. Jei ne, tiesiog įstumkite krepšelį atgal į prietaisą. Nustatykite temperatūrą ir laikmatį kelioms papildomoms minutėms. Tuomet spustelėkite maitinimo / paleidimo / sustabdymo mygtuką, kad vėl paleistumėte prietaisą. PASTABA. Taip pat galite ištraukti krepšelį, kad patikrintumėte ir pakratytumėte produktus jiems kepančiam. Įstūmus krepšelį atgal, prietaisas ir toliau veiks pagal pasirinktą nuostatą.
11. Ištuštinkite krepšelį sudėdami maistą į dubenį arba ant lėkštės. Norėdami išimti didelius ar trapius produktus, produktus iš krepšelio kelkite žnyplėmis. Norėdami išimti produktus (pvz., jautieną, vištieną, mėsą) be jų riebalų ir į krepšelio apačią sutekėjusiu riebalų pertekliumi, naudokite žnyples, kad paimtumėte produktus po vieną. Norėdami išimti ingredientus (pvz., traškučius, daržoves) be perteklinio aliejaus, susikaupusio krepšelio dugne kepančiam, ištraukite krepšelį ir išpilkite ingredientus į indus.
12. Baigus kepti, jei reikia, prietaisas yra iškart paruoštas kepti kitą produktų porciją.

#### **KEPIMO PATARIMAI**

1. Optimalus skrudintų bulvyčių kiekis yra 500 gramų.
2. Pridėkite 3 minutes prie paruošimo laiko, kai prietaisas yra šaltas, arba galite maždaug 4 min. leisti prietaisui įkaisti be produktų viduje.
3. Kai kuriuos produktus reikia papurtyti įpusėjus kepimo laikui. Norėdami papurtyti ar apversti ingredientus, ištraukite krepšelį iš prietaiso už rankenos ir jį papurtykite arba apverskite produktus šakute (arba žnyplėmis). Tuomet įstumkite krepšelį atgal į prietaisą.
4. Produktai su sausų džiovėsių plutele bus traškesni apšlakščius juos trupučiu augalinio aliejaus.
5. Į prietaisą įdėkite kepimo formą arba orkaitei skirtą indą, jei norite kepti pyragą, apkepą ar kitus trapius produktus.
6. Prietaise neruoškite ypač riebių produktų, pvz., dešrų.

#### **DĖMESIO:**

1. Nemerkite korpuso į vandenį ir neplaukite jo po tekančiu vandeniu.
2. Saugokite, kad į prietaisą nepatektų skysčio, kad išvengtumėte elektros smūgio ar trumpojo jungimo.
3. Laikykite visus produktus krepšelyje, kad jie nesiliestų prie kaitinimo elementų.
4. Neuždenkite veikiančio prietaiso oro įsiurbimo ir išleidimo angų. Palikite bent 10 cm laisvos vietos aplink prietaisą ir virš jo.
5. Pripylus į krepšelį aliejaus, gali kilti gaisro pavojus!
6. Nelieskite veikiančio prietaiso vidaus.
7. Išimdami krepšelį iš prietaiso, saugokitės karštų garų ir oro.
8. Veikiant per oro išleidimo angą sklinda karšti garai. Rankas ir veidą laikykite saugiu atstumu nuo garų ir oro išleidimo angos.
9. Nedelsdami išjunkite prietaisą ir atjunkite jį nuo maitinimo šaltinio, jei matote, kad iš prietaiso sklinda tamsūs dūmai, nes tai reiškia, kad maistas yra perkepęs arba prietaisas sugedo.

## VALYMAS IR PRIEŽIŪRA

1. Prieš tvarkydami ar valydami prietaisą, apie 30 min. leiskite jam atvėsti. Reguliariai valykite prietaisą iš vidaus ir išorės.
2. Prietaiso išorę ir vidų valykite drėgna šluoste ir nusauskite minkšta švaria šluoste.
3. Niekada nenaudokite abrazyvinių valiklių ar kempinių.
4. Išimkite krepšelį, kad prietaisas greičiau atvėstų. Krepšelį ir kepimo groteles plaukite šiltame vandenyje su plovimo skysčiu ir nešiurkščia kempine. Prieš naudodami gerai išdžiovinkite.
5. Valymo šepetėliu nuvalykite kaitinimo elementą korpuso viduje (jį galite pamatyti ištraukę krepšelį), kad pašalintumėte visus maisto likučius.

Pastaba. Krepšelį ir kepimo groteles galima plauti indaplovėje.

## TRIKČIŲ ŠALINIMAS

Problema	Galima priežastis	Sprendimas
<b>Prietaisas neveikia.</b>	Prietaisas neprijungtas prie elektros tinklo.	Įkiškite elektros kištuką į įžemintą sieninį lizdą.
	Nepaspaudėte maitinimo / paleidimo / sustabdymo mygtuko, kad įjungtumėte prietaisą.	Paspauskite maitinimo / paleidimo / sustabdymo mygtuką, kad įjungtumėte prietaisą.
<b>Produktai ne iki galo iškepę.</b>	Per didelis maisto kiekis krepšelyje.	Į krepšelį dėkite mažesnes produktų porcijas. Mažesnės porcijos iškepa tolygiau.
	Per žema temperatūra arba nepakanka laiko.	Padidinkite temperatūrą arba ilgiau kepkite.
<b>Produktai nevienodai apkepę.</b>	Kai kuriuos maisto produktus gali reikėti papurtyti įpusėjus kepimui.	Papurtykite produktus įpusėjus kepimui.
<b>Kepti užkandžiai netraškūs</b>	Naudojote užkandžius, kuriuos reikia kepti įprastoje skrudintuvėje.	Norėdami, kad užkandžiai būtų traškesni, naudokite orkaitėje kepamus užkandžius arba juos šiek tiek patepkite aliejumi.
<b>Iš prietaiso sklinda balti dūmai.</b>	Ruošiate riebius produktus.	Kai kebate riebius produktus, aliejus teka į krepšelį. Nuo riebalų sklinda balti dūmus ir gali įkaisti keptuvė. Tai neturi įtakos kepimo rezultatams ir nekenkia prietaisui.
	Krepšelyje vis dar yra riebalų likučių, likusių nuo ankstesnio kepimo.	Po kiekvieno naudojimo tinkamai išvalykite krepšelį.
<b>Skrudintos bulvytės apkepusios nevienodai.</b>	Naudojote netinkamas bulves.	Naudokite šviežias bulves.
	Prieš kepdami gerai nuskalavote bulvių šiaudelių.	Tinkamai nuskalaukite bulvių šiaudelius, kad nuo jų paviršiaus pašalintumėte krakmolą.
<b>Skrudintos bulvytės netraškios.</b>	Bulvyčių traškumas priklauso nuo aliejaus ir vandens kiekio bulvytėse.	Prieš įpildami aliejaus įsitikinkite, kad bulvių šiaudeliai buvo tinkamai nusauskinti.
		Kad bulvytės būtų traškesnės, supjaustykite jas mažesniais šiaudeliais.
		Įpilkite šiek tiek aliejaus, kad būtų traškiau.

## TECHNINIAI DUOMENYS

Darbinė įtampa: 220-240V ~ 50-60Hz

Energijos sąnaudos: 1300W

## GARANTIJĄ IR KLIENTŲ APTARNAVIMAS

Prieš mūsų prietaisus pristatant, jiems atliekama griežta kokybės kontrolė. Jei, nepaisant visos priežiūros, gamybos arba gabenimo metu prietaisas buvo pažeistas, grąžinkite prietaisą pardavėjui.

Įsigytam prietaisui mes taikome 2 metų garantiją, skaičiuojant nuo pirkimo dienos. Jei įsigijote prekę su defektais, galite ją grąžinti tiesiai į pirkimo vietą.

Defektams, atsiradusiems dėl netinkamo prietaiso naudojimo ir gedimų dėl intervencijos ir remonto, kuriuos atliko trečiosios šalys, arba neoriginalių dalių montavimo, ši garantija negalioja. Visada išsaugokite pirkimo kvitą, nes be jo negalėsite reikalauti jokios garantijos. Jei gedimas atsirado dėl instrukcijos nesilaikymo, garantija negalios, ir jei dėl to atsiras kitokia žala, mes nebūsime atsakingi. Mes nebūsime atsakingi už materialinę žalą ir sužalojimus dėl netinkamo naudojimo jeigu instrukcijos nebuvo tinkamai laikomasi. Jei buvo pažeisti priedai, nereiškia, kad bus pakeistas visas prietaisas. Tokiu atveju susisiekite su mūsų serviso skyriumi. Sudužus stiklui arba sulūžus plastikinėms dalims, visada taikomas mokestis. Medžiagų arba dalių, kurios gali nusidėvėti, defektams, taip valymui, techninei priežiūrai arba šių dalių keitimui garantija netaikoma ir už tai reikia mokėti.

#### **APLINKAI NEKENKIANTIS IŠMETIMAS**



Perdirbimas – Europos Direktyva 2012/19/ES

Šis ženklinaimas rodo, kad šio gaminio negalima išmesti kartu su kitomis buitinėmis atliekomis.

Siekiant apsaugoti aplinką ir žmonių sveikatą nuo galimos žalos, keliamos nekontroliuojamai šalinamų atliekų, skatinant tvarų pakartotinį materialijų išteklių panaudojimą, šį gaminį reikia

atsakingai perdirbti. Norint grąžinti panaudotą prietaisą, reikia kreiptis į šio tipo atliekų surinkimo įmonę arba į mažmenininką, iš kurio buvo įsigytas šis gaminys. Minėtosios įmonės gali paimti šį gaminį aplinkai nežalingam perdirbimui.

Emerio B.V.  
Oudeweg 115  
2031 CC Haarlem  
The Netherlands

**Customer service:**  
T: +31 (0) 23 3034369  
[www.emerio.eu/service](http://www.emerio.eu/service)

**Kundeninformation:**  
T: +49 (0) 3222 1097 600  
[www.emerio.eu/service](http://www.emerio.eu/service)

**Klantenservice:**  
T: +31 (0) 23 3034369  
[www.emerio.eu/service](http://www.emerio.eu/service)

Looking for spare parts? Have a look at <https://spareparts.emerio.eu>

Sie brauchen Ersatzteile? Besuchen Sie <https://ersatzteile.emerio.eu>

Onderdelen nodig? Kijk op <https://onderdelen.emerio.eu>

## Kasutusjuhend – Estonian

### OHUTUSJUHISED

Vigastuste ja seadme kahjustamise vältimiseks ning parimate tulemuste saavutamiseks lugege enne seadme kasutamist kindlasti läbi kõik järgnevad juhised. Säilitage seda kasutusjuhendit ohutus kohas. Kui annate selle seadme edasi kellelegi teisele, siis andke kindlasti kaasa ka see kasutusjuhend.

Käesolevas kasutusjuhendis esitatud juhiste eiramise tagajärjel tekkinud kahjustused muudavad garantii kehtetuks. Tootja/maaletooja ei vastuta kahjustuste eest, mis on tekkinud kasutusjuhendi eiramise, toote hooletu kasutamise või käesolevas kasutusjuhendis esitatud nõuetele mittevastavuse tagajärjel.

1. Konditsioneer ei tohi kasutada alates 8. eluaastast; need, kellel on piiratud füüsilised, sensoorsed või vaimsed võimed ja kellel puuduvad kasutuskogemused ning väljaõpe, tohivad seda kasutada siis, kui nad on kasutamise ajal ohutuse eest vastutava isiku järelevalve või juhendamise all ja saavad aru konditsioneeriga kasutamisega seotud ohtudest.
2. Lapsed ei tohi selle seadmega mängida.
3. Lapsed ei tohi teha seadme puhastus- ja hooldustöid, välja arvatud juhul, kui nad on 8-aastased või vanemad ja neid juhendatakse.
4. Hoidke seade ja selle juhe alla 8-aastastele kättesaamatus kohas.
5. Kui toitejuhe on kahjustunud, tuleb lasta see ohu ennetamiseks tootja, selle teeninduse või sarnase kvalifikatsiooniga inimese poolt välja vahetada.
6. Toidu või õliga kokku puutuvate pindade puhastamise juhised leiab kasutusjuhendi jaotisest „PUHASTAMINE JA HOOLDUS“.
7. Seade on ette nähtud kasutamiseks koduses majapidamises või sarnastes kohtades, näiteks: kauplusepersonali köökides, kontorites ja muudes äriruumides, farmiruumides, hotellitubades, motellides ning muudes eluruumides ja majutusasutustes.
8. Seade ei ole ette nähtud kasutamiseks välise taimeri või eraldiseisva kaugjuhtimissüsteemi abil.
9. Enne pistiku ühendamist elektrisüsteemi pistikupesasse veenduge, et elektrivõrgu pinge ja sageduse näitajad vastavad andmesildil esitatud näitajatele.
10. Kui seadet ei kasutata ning enne seadme puhastamist eemaldage pistik elektrisüsteemi pistikupesast.
11. Pikendusjuhtme kasutamisel peab see vastama seadme elektritarbe näitajatele. Vastasel juhul võib pikendusjuhe ja/või pistik üle kuumeneda. Pikendusjuhtme tõttu komistamine kujutab endast vigastuste ohtu. Olge ettevaatlik ja vältige ohtlikke olukordi.
12. Veenduge, et toitejuhe ei ripu üle teravate servade ning hoidke see eemal kuumadest esemetest ja lahtisest tulest.
13. Ärge pange seadet või toitepistikut vette või teistesse vedelikesse. Eluohtlik - elektrilöögi oht!
14. Pistiku eemaldamiseks pistikupesast tõmmake pistikust. Ärge tõmmake toitejuhet.
15. Ärge puudutage seadet, kui see on vette kukkunud. Eemaldage pistik pistikupesast, lülitage seade välja ja saatke see remonti volitatud hoolduskeskusesse.
16. Ärge ühendage ega eemaldage seadme pistikut elektrisüsteemist niiske käega.
17. Ärge püüdke avada seadme korpust või ise seadet remontida. See võib põhjustada elektrilöögi.
18. Ärge kunagi jätke seadet kasutamise ajal järelevalveta.
19. See seade ei ole mõeldud äriliseks kasutamiseks.
20. Kasutage seadet ainult sihtotstarbeliselt.
21. Ärge kerige juhet seadme ümber ja ärge painutage seda.
22. Paigutage seade stabiilsele, tasasele pinnale, kust see ei saa maha kukkuda.
23. Palun vältige toote kokkupuudet liigse mustuse ja niiskusega.
24. Puhastage toodet kergelt niiske lapiga.
25. Ärge jätke töötavat seadet järelevalveta ning kui peaksite töökohast lahkuma, lülitage seade alati välja või eemaldage selle pistik pistikupesast (tõmmake pistikust, mitte juhtmest).
26. Ärge paigutage seadet vastu seina ega teise seadme vastu. Jätke seadme taha, külgedele ja kohale vähemalt 10cm vaba ruumi.
27. Kuuma õhkfrittamise käigus eraldub õhu väljalaskeavadest kuuma auru. Hoidke oma käed ja nägu aurust ning õhu väljalaskeavadest ohutus kauguses. Olge kuuma auru ja õhu suhtes ettevaatlik ka anumate seadmest eemaldades.
28. Kui seadmest tuleb tumedat suitsu, siis eemaldage seade koheselt vooluvõrgust. Enne anuma seadmest eemaldamist oodake, kuni suitsu eraldumine lõpeb.

29. Seadme veatu funktsioneerimise tagamiseks kontrollige enne seadme iga kasutuskorda, kas kütteelement ja selle ümbrus on puhtad ning vabad toidujätmetest.



30. Ettevaatust! Kuum pind!

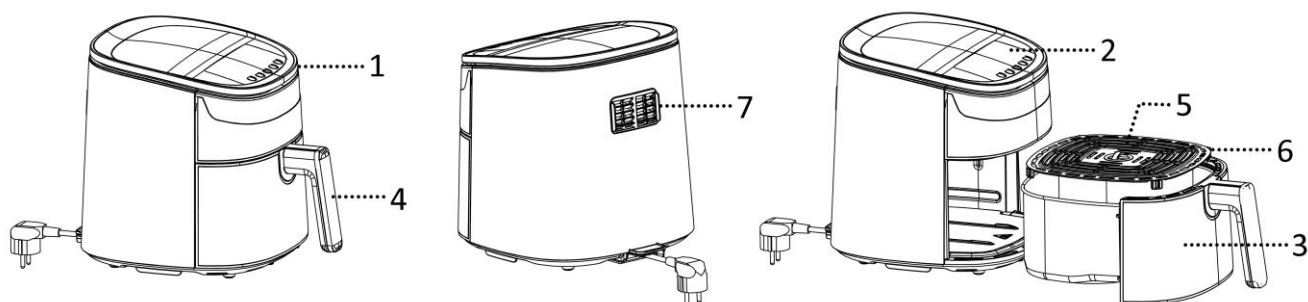
HOIATUS!! Palun ärge puudutage kasutuses oleva toote pinda. Ligipääsetavad pinnad võivad seadme kasutamise ajal väga kuumad olla.

31. Seadme tagaküljel asuvast õhu väljalaskeavast eraldub kuuma õhku. Jälgige, et jätate piisavalt ruumi kuumatundlike materjalide suhtes (nt. klaas).

32. Kui kasutate mittenakkuvate pindadega tooteid, siis kontrollige, et samas ruumis ei oleks linde ja et ruumi saab täielikult sulgeda ning hästi ventileerida.

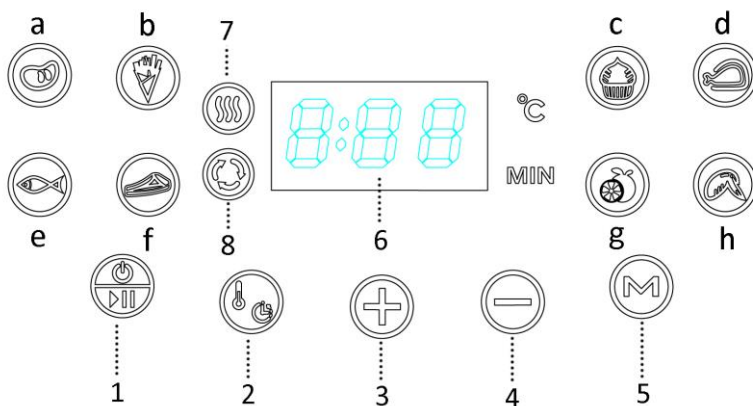
33. Eemaldage küpsetuspaber korvist alati pärast kasutamist ja enne eelsoojendamist ilma toiduta või selle ajal.

## OSADE KIRJELDUS



1. Õhu sissevõtuava
2. Juhtpaneel ja ekraan
3. Korv
4. Korvi käepide
5. Frittimistarvik
6. Silikoonist jalad
7. Õhu väljalaskeava

## Juhtpaneel ja ekraan



1. Toite-/start-/stoppnupp
2. Temperatuuri/aja seadistusnupp
3. Temperatuuri/taimer suurendamise nupp
4. Temperatuuri/taimer vähendamise nupp

5. Menüü valiku nupp
6. Ekraan
7. Kuumutamise indikaator
8. Ventilaatori indikaator

**Menüü:**

- a) liha, b) friikartulid, c) kook, d) kanakoib,  
e) kala, f) steik, g) kuivatatud puuviljad, h) kanatiib

**MENÜÜ TUTVUSTUS**

Koostisosa	Temperatuuri algseadistus	Soovitav küpsetusaeg	Toidu ümberpööramine	Reguleeritav temperatuur	Reguleeritav aeg
Liha	200 °C	15 minutit	Jah	80 °C – 200 °C	1–60 minutit
Friikartulid	200 °C	20 minutit	Jah	80 °C – 200 °C	1–60 minutit
Kook	160 °C	15 minutit		80 °C – 200 °C	1–60 minutit
Kanakoib	200 °C	20 minutit	Jah	80 °C – 200 °C	1–60 minutit
Kala	180 °C	20 minutit	Jah	80 °C – 200 °C	1–60 minutit
Steik	200 °C	10 minutit	Jah	80 °C – 200 °C	1–60 minutit
Kuivatatud puuviljad	60 °C	4 tundi		60 °C – 80 °C	2–9 tundi
Kanatiib	200 °C	15 minutit	Jah	80 °C – 200 °C	1–60 minutit

**Märkus.** Kui tootepakendil esitatud juhised erinevad tabelis toodud väärtustest, siis järgige pakendil esitatud juhiseid.

**ENNE KASUTAMIST**

Enne kasutamist lugege palun kõiki juhiseid ja säilitage need edaspidiseks kasutamiseks. Ühendage seade vaid maandatud pistikupessa. Enne esmakasutust eemaldage kõik pakkematerjalid. Puhastage korvi ja frittistarvik. (Vt. "PUHASTAMINE JA HOOLDUS") Pühliige seadme sisemus ja välispind pehme lapiga puhtaks. Jälgige, et elektrilised osad jäävad kuivaks. **See seade kuumutab toitu igast küljest ja enamike koostisosade puhul õli vaja ei ole.**

Enne seadme esmakordset kasutamist laske sellel umbes 10 minutit töötada, et kuumutada ära tootmisjääd. Jälgige, et ruumis on hea ventilatsioon. Seadme esmakordsel sisselülitamisel võib sellest tulla veidi suitsu ja omapärast lõhna. See on normaalne ja lõpeb varsti.

**Märkus!** Kasutage frittistarvikut alati kinnitatud silikoonjalgadega. Need aitavad frittistarvikut küpsetamise ajal korvi sees paigal hoida.

**KASUTAMINE**

1. Asetage toode kuivale, stabiilsele ja kuumuskindlale pinnale.
2. Seade muutub töötamise ajal kuumaks, seega jälgige, et teised esemed sellele liiga lähedal ei oleks.
3. Korvi eemaldamiseks seadmest tõmmake korvi käepidet. Pange frittistarvik korvi sisse.
4. Pange koostisained korvi. Libistage korvi seadmesse. Kontrollige, et need on korrektses asendis ja seade on täiesti suletud. Vastasel juhul seade tööle ei hakka. Ettevaatus! Ärge puudutage korvi selle kasutamise ajal ega kohe pärast kasutamist, sest see muutub väga kuumaks. Hoidke korvi vaid käepidemest.
5. Ühendage toitepistik sobivasse pistikupessa. Seade on nüüd ooterežiimis.
6. Vajutage toite-/start-/stoppnuppu üks kord, et aktiveerida teised nupud ja indikaatorid. Koostisainete jaoks sobiva temperatuuri (80 °C – 200 °C) ja aja (1–60 minutit) seadistamiseks vajutage temperatuuri/aja seadistusnuppu ja seejärel nuppe „+“ või „–“. Kui vajutate nuppu „+“ või „–“ pikalt, saate väärtust kiirreguleerida. Väärtust saab reguleerida näidu ekraanil vilkumise ajal; kui vilkumine lõpeb, on väärtus seadistatud.



7. Küpsetusfunktsioonide otse valimiseks võib vajutada ka menüü valimise nuppu. Kui soovite reguleerida aega ja temperatuuri käsitsi, järgige ülaltoodud etappi 6. Pange tähele, et kuivatatud puuviljade funktsioonil on temperatuur reguleeritav vahemikus 60 °C kuni 80 °C ja aega saab seadistada vahemikus 2 kuni 9 tundi; teistel funktsioonidel on reguleeritav vahemik käsitsi seadistusega sama.
8. Vajutage uuesti toite-/start-/stoppnuppu; masin hakkab tööle. Seadme kuumenemisel süttib kuumutamise indikaator. Kui sisemine ventilaator töötab, süttib ventilaatori indikaator. Need indikaatorid süttivad ja kustuvad automaatselt vastavalt programmi juhtimisele kogu protsessi vältel.
9. Kui küpsetusprotsess on lõppenud, seiskub seade automaatselt ja kostub helisignaal. Seadme saab peatada ka käsitsi, vajutades toite-/start-/stoppnuppu: lühike vajutus paneb seadme pausile; pikk vajutus lõpetab küpsetusprotsessi ja lülitab seadme ooterežiimi. Ekraanil vilgub „0:00“ ja ventilaator töötab veel paar sekundit, seejärel lülitub seade ooterežiimi.
10. Korvi eemaldamiseks seadmest tõmmake korvi käepidet. Kontrollige, kas koostisained on valmis saanud. Kui mitte, siis pange korv seadmesse tagasi. Seadistage temperatuur ja taimerile mõni lisaminut. Seejärel vajutage masina taaskäivitamiseks toite-/start-/stoppnuppu. MÄRKUS! Korvi saab koostisainete kontrollimiseks ja raputamiseks ka küpsetamise ajal välja tõmmata. Korvi seadmesse libistamisel jätkab seade tööd samade seadistustega.
11. Tühjendage korv ja pange toit kaussi või taldrikule. Suurte või rabedate koostisainete väljatõstmiseks kasutage tange.  
Eemaldamiseks koostisained (nt veiseliha, kana, sealiha), mis on algselt õlised ja mille liigne õli koguneb korvi põhja, tõstke need tangide abil ükshaaval välja.  
Eemaldamiseks koostisained (nt kartulilaastud, köögiviljad), mille puhul praadimise käigus korvi põhja liigset õli ei kogune, tõmmake korv välja ja valage koostisained lauanõudele.
12. Pärast küpsetamise lõpetamist on seade vajadusel koheselt järgmise portsu koostisosade küpsetamiseks.

### **NÕUANDEID FRITTIMISEKS**

1. Krõbedate friikartulite saamiseks on optimaalne kogus 500 grammi.
2. Kui seade on külm, lisage küpsetusajale 3 minutit või laske seadmel ilma koostisosadeta 4 minutit eelkuumeneda.
3. Osasid koostisosi tuleb poole küpsetamise pealt raputada. Koostisosade raputamiseks või ümberpööramiseks tõmmake korv käepideme abil seadmest välja ja raputage seda või keerake koostisained kahvli (või tangide) abil ümber. Seejärel pange korv seadmesse tagasi.
4. Riivsaia paneeritud tooted muutuvad krõbedamaks, kui piserdada neid vähese taimeõliga.
5. Kui soovite küpsetada kooki või quiche'i või teisi õrnu koostisosi, siis võite panna seadmesse ka koogi- või ahjuvormi.
6. Ärge valmistage seadmes äärmiselt rasvaseid koostisosi, nt. vorstikesi.

### **ETTEVAATUST:**

1. Ärge kunagi pange seadme korpust vette ega loputage seda jooksva vee all.
2. Elektrilöögi või lühise ennetamiseks vältige mistahes vedeliku sattumist seadmesse.
3. Kütteelementidega kokku puutumise ennetamiseks hoidke kõik koostisosad korvis.
4. Ärge katke seadme õhu sisse- või väljalaskeavasid. Jätke seadme ümber ja kohale vähemalt 10cm vaba ruumi.
5. Korvi õliga täitmine võib põhjustada tulekahju!
6. Ärge puudutage töötava seadme sisepindu.
7. Olge kuuma auru ja õhu suhtes ettevaatlik ka korvi seadmest eemaldades.
8. Seadme töötamise käigus eraldub õhu väljalaskeavadest kuuma auru. Hoidke oma käed ja nägu aurust ning õhu väljalaskeavadest ohutus kauguses.
9. Kui seadmest tuleb tumedat suitsu, siis lülitage seade seade koheselt välja ja eemaldage vooluvõrgust. Tume suits tähendab, et toit on üleküpsenud või seade on rikkis.

## PUHASTAMINE JA HOOLDUS

1. Enne seadme käsitlemist või puhastamist laske sellel umbes 30 minutit jahtuda. Puhastage seadet regulaarselt nii seest kui väljast.
2. Puhastage nii seadme sisemust kui välispindu niiske lapiga ja kuivatage pehme puhta lapiga.
3. Ärge kunagi kasutage abrasiivseid puhastusvahendeid ega käsnu.
4. Seadme kiiremaks mahajahutamiseks võtke korv seadmest välja. Puhastage korv ja frittimistarvik sooja vee, nõudepesuvahendi ja mitteabrasiivse nuustikuga. Enne kasutamist kuivatage seade korralikult.
5. Puhastage korpuse sees olev kütteelement (seda näete pärast korvi väljavõtmist) puhastusharjaga, et eemaldada kõik toidujäägid.

Märkus! Korvi ja frittimistarvikut võib pesta nõudepesumasinas.

## TÕRKEOTSING

Probleem	Võimalik põhjus	Lahendus
<b>Seade ei tööta.</b>	Seade ei ole voluvõrku ühendatud.	Ühendage toitepistik maandatud seinakontakti.
	Te ei ole seadme sisselülitamiseks toite-/start-/stoppnuppu vajutanud.	Seadme sisselülitamiseks vajutage toite-/start-/stoppnuppu.
<b>Koostisosad ei ole täiesti küpseks saanud.</b>	Toidu kogus korvis on liiga suur.	Pange korvi väiksemaid toidukoguseid. Väiksemad portsud küpsevad paremini.
	Temperatuur on liiga madal või küpsetusaeg on liiga lühike.	Tõstke temperatuuri või küpsetage kauem.
<b>Koostisosad on küpsenud ebaühtlaselt.</b>	Erinevat tüüpi toitusid tuleb poole küpsetamise pealt raputada.	Raputage toitu poole küpsetamise pealt.
<b>Frititud toidud ei ole krõbedad</b>	Kasutasite sellist tüüpi toiduaineid, mida tuleb küpsetada tavapärasel fritüüris.	Krõbedama tulemuse saavutamiseks kasutage ahjus valmistatavaid toiduaineid või pintseldage toitu kergelt õliga.
<b>Seadmest tuleb valget suitsu.</b>	Valmistate rasvaseid toiduaineid.	Rasvaste koostisosade küpsetamisel lekitab korvi õli. Õli tekitab valget suitsu ja korv võib kuumaks minna. See ei mõjuta küpsetamise tulemusi ega kahjusta seadet.
	Korvis on rasvajääke eelmises toiduvalmistamise korrast.	Puhastage korvi korralikult pärast iga kasutuskorda.
<b>Värsked kartulid on küpsenud ebaühtlaselt.</b>	Te ei ole kasutanud õiget tüüpi kartulit.	Kasutage värsked kartuleid.
	Kartulipulgad on enne frittimist korralikult loputamata.	Kartulipulkade välispindadelt tõrklise eemaldamiseks loputage neid korralikult.
<b>Värsked kartulid ei ole krõbedad.</b>	Kartulite krõbedus sõltub nendes sisalduva õli ja vee kogusest.	Enne õli lisamist kontrollige, et kartulipulgad on korralikult kuivanud.
		Krõbedama tulemuse saavutamiseks lõigake väiksemaid kartulipulki.
		Krõbedama tulemuse jaoks lisage veidi rohkem õli.

## TEHNILISED ANDMED

Tööpinge : 220-240V ~ 50-60Hz

Võimsustarve: 1300W

## GARANTII JA KLIENDITEENINDUS

Enne tarnimist läbivad meie seadmed karmi kvaliteedikontrolli. Kui hoolimata kõikidest pingutustest esinevad tootmise või transportimise ajal kahjustused, tagastage seade meie edasimüüjale.

Me pakume ostetud toodetele 2-aastast garantiid alates ostukuupäevast. Rikkis toote korral võite pöörduda otse ostukoha poole.

Defektid, mis on tingitud seadme ebaõigest käsitlemisest, ja talitlushäired, mille on põhjustanud kolmandate osapoolte sekkumine või remontimine, või mitteoriginaalvaruosade kasutamine, ei ole käesoleva garantiiga kaetud. Hoidke alati ostukviitung alles; ilma ostukviitungita ei saa te garantiiteenindust taotleda. Kasutusjuhendi eiramisest põhjustatud kahjustused tühistavad garantii; me ei vastuta tagajärjeks olevate kahjustuste eest. Samuti ei ole me vastutavad materiaalsete kahjustuste või kehavigastuste eest, mille on põhjustanud ebasobiv kasutamine ja kasutusjuhendi väär kasutamine. Lisatarvikute kahjustus ei tähenda kogu seadme tasuta asendamist. Sellisel juhul võtke ühendust meie hooldusosakonnaga. Purunenud klaas- või plastosade korral tuleb alati eraldi tasuda. Garantii ei hõlma tarbitavate või kuluvate detailide kahjustusi, puhastamist, hooldust ja nimetatud osade asendamist ning nende tööde eest tuleb eraldi tasuda.

#### KESKKONNASÕBRALIK KÕRVALDAMINE



Taastötlemine – Euroopa direktiiv 2012/19/EL

See märgistus näitab, et toodet ei tohi visata muude olmejäätmete hulka. Hoolimatust jäätmekäitlusest tingitud võimaliku kahju vältimiseks loodusele või inimeste tervisele peab jäätmekäitlus edendama jätkusuutlikku materiaalsete ressursside taaskasutust. Palun andke oma kasutusest kõrvaldatud seade üle kohalikule jäätmete tagastuse ja kogumise süsteemi ettevõttele või edasimüüjale, kellelt seadme ostsite. Nad võtavad selle vastu keskkonnale ohutuks ümbertöötlemiseks.

Emerio B.V.  
Oudeweg 115  
2031 CC Haarlem  
The Netherlands

**Customer service:**  
T: +31 (0) 23 3034369  
[www.emerio.eu/service](http://www.emerio.eu/service)

**Kundeninformation:**  
T: +49 (0) 3222 1097 600  
[www.emerio.eu/service](http://www.emerio.eu/service)

**Klantenservice:**  
T: +31 (0) 23 3034369  
[www.emerio.eu/service](http://www.emerio.eu/service)

Looking for spare parts? Have a look at <https://spareparts.emerio.eu>

Sie brauchen Ersatzteile? Besuchen Sie <https://ersatzteile.emerio.eu>

Onderdelen nodig? Kijk op <https://onderdelen.emerio.eu>