

emerio®

SG-123562



Steam station (EN)
Dampfbügelstation (DE)
Centrale vapeur (FR)
Ångstation (SE)
Stoomstrijkstation (NL)
Stacja parowa (PL)
Estación de vapor (ES)

CE

Content – Inhalt – Teneur – Innehåll – Inhoud – Treść– Contenido

Instruction manual – English.....	- 2 -
Bedienungsanleitung – German	- 8 -
Mode d’emploi – French.....	- 14 -
Bruksanvisning – Swedish	- 20 -
Gebruiksaanwijzing – Dutch	- 26 -
Instrukcja obsługi – Polish.....	- 32 -
Manual de Instrucciones – Spanish	- 38 -

Instruction manual – English

SAFETY INSTRUCTIONS

Before use make sure to read all of the below instructions in order to avoid injury or damage, and to get the best results from the appliance. Make sure to keep this manual in a safe place. If you give or transfer this appliance to someone else make sure to also include this manual.

In case of damage caused by user failing to follow the instructions in this manual the warranty will be void. The manufacturer/importer accepts no liability for damages caused by failure to follow the manual, a negligent use or use not in accordance with the requirements of this manual.

1. This appliance can be used by children aged from 8 years and above and persons with reduced physical, sensory or mental capabilities or lack of experience and knowledge if they have been given supervision or instruction concerning use of the appliance in a safe way and understand the hazards involved.
2. Children shall not play with the appliance.
3. Cleaning and user maintenance shall not be made by children without supervision.
4. If the supply cord is damaged, it must be replaced by the manufacturer, its service agent or similarly qualified persons in order to avoid a hazard.
5. The iron must not be left unattended while it is connected to the supply mains.
6. Keep the iron and its cord out of reach of children less than 8 years of age when it is energized or cooling down.
7. The iron must be used and rested on a flat, stable surface.
8. When placing the iron on its stand, ensure that the surface on which the stand is placed is stable.
9. The filling aperture must not be opened during use.
10. The iron is not to be used if it has been dropped, if there are visible signs of damage or if it is leaking.
11. Before inserting the plug into the mains socket, please check that the voltage and frequency comply with the specifications on the rating label.
12. If an extension cord is used it must be suited to the power consumption of the appliance, otherwise overheating of the extension cord and/or plug may occur. There is a potential risk of injuries from tripping over the extension cord. Be careful to avoid dangerous situations.
13. Disconnect the mains plug from the socket when the appliance is not in use and before cleaning.
14. Ensure that the mains cable is not hung over sharp edges and keep it away from hot objects and open flames.
15. Do not immerse the appliance or the mains plug in water or other liquids. There is danger to life due to electric shock!
16. To remove the plug from the plug socket, pull the plug. Do not pull the power cord.
17. Do not touch the appliance if it falls into water. Remove the plug from its socket, turn off the appliance and send it to an authorized service center for repair.
18. Do not plug or unplug the appliance from the electrical outlet with a wet hand.
19. Never attempt to open the housing of the appliance, or to repair the appliance yourself. This could cause electric shock.
20. Never leave the appliance unattended during use.
21. This appliance is not designed for commercial use. Indoor use only.
22. Do not use the appliance for other than intended use.
23. The iron should always be off before plugging or unplugging from the wall socket.
24. Never use the appliance if damaged in anyway.
25. When leaving, even when only for a short while, always unplug the iron.
26. Burns can occur from touching hot metal parts, hot water or steam.
27. Keep the soleplate smooth. Avoid hard contact with a metal object.
28. The cord should not be allowed to touch the soleplate when it is hot.

29. Prevent water overflow. Do not fill over max level.
30. When using the iron for the first time use it on an old piece of fabric to check if the soleplate and water from the water tank are completely clean.
31. The iron shall be used on a stable ironing board.
32. The appliance must use pure water or steam water, not tap water or other liquids.
33. Do not aim the steam at people or animals to avoid burns.
34. Use the provided base. The base shall not be replaced arbitrarily to avoid danger.

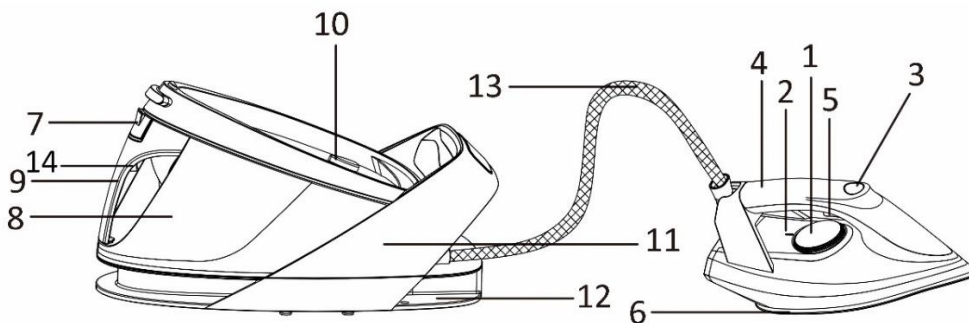


35. Caution, hot surface.

WARNING!! Please do not touch surface while in use. The temperature of accessible surfaces may be high when the appliance is operating.

36. Regarding the instructions for cleaning and maintenance, please refer to the below paragraphs.

PARTS IDENTIFICATION



1. Temperature regulator
2. Temperature indicate line
3. Indicator light
4. Iron handle
5. Steam button & steam button lock
6. Ceramic soleplate
7. Water inlet cover
8. Water tank
9. Water tank handle
10. Thermal insulation stand
11. Unit base
12. Cord winding groove
13. Steam supply hose
14. Water tank separation button

BEFORE INITIAL USAGE

Remove all packaging material. Make sure the appliance is unplugged and the temperature regulator is set at position "OFF".

Fill water into the water tank up to the max level marked on the water tank. The appliance must use pure water or steam water, not tap water or other liquids.

How to fill water:

Grasp the water tank handle and press the separation button to pull out the water tank from unit base. Then open the water inlet cover to fill in the proper water.

Insert the power plug in to a designated outlet and set the temperature regulator on the highest temperature setting. After the indicator light goes off, press and hold the steam button for steam ironing and iron on an old piece of cloth to remove possible residue. **(Refer to “steam ironing”)**

Note:

- 1) With first use, there can be slight odour or smoke. But this is harmless and only of short duration. Make sure there is adequate ventilation.
- 2) When you activate the steam function, the appliance may produce a pumping sound. This is normal; the sound tells you that water is pumped into the appliance.
- 3) Continuously refill function: During operation, if the water tank is empty, you can take out the water tank and refill.

OPERATION

Before selecting the temperature, read the instruction manual for the iron or the care advice on the tag of the clothing.

Note: If there is no care advice on the piece of clothing, then you should begin ironing with the lowest temperature.

OFF	Off
●	Synthetic
●●	Silk, wool
●●● MAX	Linen, cotton, highest temperature

DRY IRONING

1. Place the iron on the thermal insulation stand of the unit base. Ensure that the steam button is not locked.
2. Connect the iron to a suitable mains supply outlet.
3. Select the setting on the temperature regulator.
4. When the indicator light goes off (about 1 minute), the required temperature is reached. The iron is ready for use.
5. To turn off the iron, turn the temperature regulator counter-clockwise to position “OFF”. Put the iron back onto the unit base, and pull out the power plug.

Warning: Never touch the hot soleplate at any time before cooling down!

STEAM IRONING

1. Put the unit base on a stable and level surface.
2. Fill the water tank with water through the filling aperture. (Refer to “How to fill water” in “BEFORE INITIAL USAGE”). The max capacity of water tank is 1.5L, the water level shall not exceed the “MAX” mark on the water tank.
3. Place the iron on the thermal insulation stand of the unit base. Ensure that the steam button is not locked.

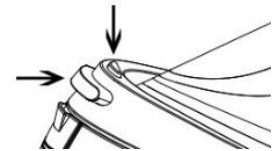
4. Connect the plug to the wall outlet. Turn the temperature regulator to select your desired temperature setting (Steam can only be triggered in setting “●●●MAX”). The iron starts heating and the temperature indicator illuminates.
5. When the indicator light goes off, the required temperature is reached. The iron is ready for use.
6. Press and hold the steam button for steam ironing; steam starts coming out from the holes in the soleplate while ironing. The max steam output is 200g.
Press the steam button lock downward to lock the steam button for continuous steam.
7. Vertical steam function: the steam function can also be applied when holding the iron in vertical position, which is useful for removing creases from hanging clothes, curtains, etc.
8. To turn off the iron, turn the temperature regulator counter-clockwise to position “OFF”. Put the iron back onto the unit base, and pull out the power plug.

Cord winding groove

When not in use, the steam supply hose can be winded along the cord winding groove for storage.

Iron lock device

When not in use, or when you want to move the appliance, the iron can be lock onto the unit base by pressing the lock button. Press the unlock button to release.



Cautions:

- 1) Do not touch the hot soleplate at any time before cooling down!
- 2) Never direct the steam at people!
- 3) Do not activate the steam button when the iron is placed on the unit base to avoid being scalded by steam.
- 4) After ironing, the soleplate is still hot. Never touch it with hand and place it on the thermal insulation stand until it cools down completely.

LOW TEMPERATURE PROTECTION FUNCTION

In order to prevent water leak from the soleplate if too low temperature has been selected, the product is designed with a low temperature protection function. The pump will not work while press the steam button if the temperature is set below setting “●●●”.

BUILD IN ANTI SCALE SYSTEM

The build-in anti-scale cartridge is designed to reduce the build-up of limescale which occurs during steam ironing. This will prolong the working life of your iron. However, please note that the anti-scale cartridge will not completely stop the natural process of limescale build-up.

CLEANING

- Before cleaning the iron ensure it is disconnected from the power supply and has completely cooled down.
- Deposits on the soleplate may be removed with a rough cloth soaked in a vinegar water solution.
- The casting and base unit may be wiped with a damp cloth and then polished with a dry one.
- Do not use abrasives on the soleplate.
- Keep the soleplate smooth. Avoid hard contact with metal objects.

IRONING TIPS

- The iron heats up quicker than cooling down. Therefore, you should start ironing the articles requiring the lower temperature such as those made of the synthetic fiber.
- If the fabric consists of various kinds of fibers, you must always select the lowest ironing temperature to iron the composition of those fibers.
- Synthetic fiber and silk fabrics should be ironed on their inner side to avoid being shone.
- Velvet and other textures that rapidly become shiny should be ironed in one direction with light pressure applied. Always keep the iron moving at any moment.

- Pure wool fabrics (100% wool) may be ironed with the steam ironing. Use a dry cloth as a mat and then select the corresponding fabric setting for ironing.
- Never iron over zip, rivet in the cloth. This will damage the soleplate. Iron around any such object.

NOTE: When ironing woolen fabrics, shining of the fabric may occur. So it is suggested that you should turn the article inside out and iron the reverse side.

If problems occur?

Brown streaks come through the holes in the soleplate and stain the linen.	You are using chemical descaling agents.	Do not add any descaling agents to the water.
	Fabric fibers have accumulated in the holes of the soleplate and are burning.	Let the iron cool down and clean the soleplate with a sponge. Vacuum the holes of the soleplate from time to time.
	Your linen has not been rinsed sufficiently or you have ironed a new garment before washing it.	Make sure that your laundry is rinsed sufficiently so as to remove any deposits of soap or chemical products on new clothes.
The soleplate is dirty or brown and can stain the linen.	You are ironing with a too high temperature.	Let the iron cool down and clean the soleplate with a sponge. Select the appropriate program.
The soleplate is scratched.	You have placed your iron flat on a metal rest-plate or ironed over a zip.	Always set your iron on its heel. Do not iron over zips.

TECHNICAL DATA

Operating voltage: 220-240V ~ 50-60Hz
 Power: 2200W

GUARANTEE AND CUSTOMER SERVICE

Before delivery our devices are subjected to rigorous quality control. If, despite all care, damage has occurred during production or transportation, please return the device to your dealer.

For the purchased device we provide 2 years guarantee, commencing from the day of sale. If you have a defective product, you can directly go back to the point of purchase.

Defects which arise due to improper handling of the device and malfunctions due to interventions and repairs by third parties or the fitting of non-original parts are not covered by this guarantee. Always keep your receipt, without the receipt you can't claim any form of warranty. Damage caused by not following the instruction manual, will lead to a void of warranty, if this results in consequential damages then we will not be liable. Neither can we hold responsible for material damage or personal injury caused by improper use or if the instruction manual are not properly executed. Damage to accessories does not mean free replacement of the whole appliance. In such case please contact our service department. Broken glass or breakage of plastic parts is always subject to a charge. Defects to consumables or parts subjected to wearing, as well as cleaning, maintenance or the replacement of said parts are not covered by the warranty and are to be paid.



The crossed out wheeled bin symbol means that this product shall not be disposed of with normal household waste. Electronic and Electrical Equipment not included in the selective sorting process are potentially dangerous for the environment and human health due to the presence of hazardous substances. Please dispose of responsibly at an approved waste or recycling facility.

Emerio B.V.
Oudeweg 115
2031 CC Haarlem
The Netherlands

Customer service:
T: +31 (0) 23 3034369
www.emerio.eu/service

Kundeninformation:
T: +49 (0) 3222 1097 600
www.emerio.eu/service

Klantenservice:
T: +31 (0) 23 3034369
www.emerio.eu/service

Looking for spare parts? Have a look at <https://spareparts.emerio.eu>

Sie brauchen Ersatzteile? Besuchen Sie <https://ersatzteile.emerio.eu>

Onderdelen nodig? Kijk op <https://onderdelen.emerio.eu>



CUSTOMER SERVICE



SPARE PARTS

Bedienungsanleitung – German

SICHERHEITSHINWEISE

Lesen Sie vor dem Gebrauch unbedingt die nachfolgenden Anleitungen, um Verletzungen oder Beschädigungen zu vermeiden und das beste Ergebnis mit dem Gerät zu erzielen. Bewahren Sie diese Bedienungsanleitung an einem sicheren Ort auf. Wenn Sie dieses Gerät an eine andere Person weitergeben, stellen Sie sicher, dass Sie auch diese Bedienungsanleitung aushändigen.

Im Falle von Beschädigungen, die durch die Missachtung der Anleitungen in dieser Bedienungsanleitung verursacht wurden, wird die Garantie ungültig. Der Hersteller/Importeur haftet nicht für Schäden, die durch Missachtung der Bedienungsanleitung, fahrlässigen Gebrauch oder Benutzung, die nicht in Übereinstimmung mit den Anforderungen dieser Bedienungsanleitung erfolgt, verursacht wurden.

1. Dieses Gerät kann von Kindern ab 8 Jahren und Personen mit eingeschränkten körperlichen, sensorischen oder geistigen Fähigkeiten oder mangelnder Erfahrung und Kenntnis benutzt werden, wenn sie beaufsichtigt werden oder in die sichere Benutzung des Gerätes unterwiesen werden und die damit verbundenen Gefahren verstehen.
2. Kinder dürfen nicht mit dem Gerät spielen.
3. Die Reinigung und vom Benutzer auszuführende Wartungsarbeiten dürfen von Kindern nur unter Aufsicht durchgeführt werden.
4. Wenn das Netzkabel beschädigt ist, muss es vom Hersteller, seinem Kundendienst oder einer ähnlich qualifizierten Person ausgewechselt werden, um Gefahren zu vermeiden.
5. Das Bügeleisen darf nicht unbeaufsichtigt bleiben, wenn es mit dem Stromnetz verbunden ist.
6. Halten Sie das Bügeleisen und sein Kabel außer Reichweite von Kindern unter 8 Jahren, wenn es mit dem Netzstrom verbunden ist oder abkühlt.
7. Das Bügeleisen muss auf einer ebenen, stabilen Fläche benutzt und abgestellt werden.
8. Wenn Sie das Bügeleisen auf seine Abstellfläche stellen, achten Sie darauf, dass die Fläche, auf die Sie die Abstellfläche setzen, stabil ist.
9. Die Einfüllöffnung darf während des Gebrauchs nicht geöffnet werden.
10. Das Bügeleisen darf nicht benutzt werden, wenn es fallen gelassen wurde, wenn Beschädigungen sichtbar sind oder es undicht ist.
11. Bevor Sie den Stecker mit der Netzsteckdose verbinden, prüfen Sie bitte, ob die Spannung und die Frequenz mit den Angaben auf dem Typenschild übereinstimmen.
12. Falls ein Verlängerungskabel verwendet wird, muss es für den Stromverbrauch des Gerätes geeignet sein, sonst kann es zum Überhitzen des Verlängerungskabels und/oder des Steckers kommen. Es besteht Verletzungsgefahr durch Stolpern über das Verlängerungskabel. Lassen Sie Vorsicht walten, um gefährliche Situationen zu vermeiden.
13. Ziehen Sie den Netzstecker aus der Steckdose, wenn das Gerät nicht benutzt und bevor es gereinigt wird.
14. Achten Sie darauf, dass das Netzkabel nicht über scharfe Kanten hängt und halten Sie es von heißen Objekten und offenen Flammen fern.
15. Tauchen Sie das Gerät oder den Netzstecker nicht in Wasser oder andere Flüssigkeiten. Es besteht Lebensgefahr aufgrund von Stromschlag!
16. Um den Stecker aus der Steckdose zu entfernen, ziehen Sie am Stecker. Ziehen Sie nicht am Kabel.
17. Berühren Sie das Gerät nicht, wenn es ins Wasser gefallen ist. Ziehen Sie den Stecker aus der Steckdose, schalten Sie das Gerät aus und schicken Sie es an einen autorisierten Kundendienst zwecks Reparatur.
18. Den Netzstecker des Gerätes nicht mit einer nassen Hand aus der Steckdose ziehen oder mit der Steckdose verbinden.
19. Versuchen Sie unter keinen Umständen, das Gehäuse des Gerätes zu öffnen oder das Gerät selbst zu reparieren. Dies könnte einen Stromschlag verursachen.

20. Lassen Sie das Gerät während des Gebrauchs niemals unbeaufsichtigt.
21. Dieses Gerät ist nicht für den gewerblichen Gebrauch konzipiert. Nur für den Privatgebrauch geeignet.
22. Verwenden Sie das Gerät nur zu seinem bestimmungsgemäßen Zweck.
23. Das Bügeleisen sollte immer ausgeschaltet sein, bevor der Netzstecker mit der Steckdose verbunden oder herausgezogen wird.
24. Benutzen Sie das Gerät niemals, wenn es in irgendeiner Weise beschädigt ist.
25. Wenn Sie weggehen, selbst wenn es nur für einen kurzen Moment ist, ziehen Sie immer den Netzstecker des Bügeleisens.
26. Durch die Berührung von heißen Metallteilen, heißem Wasser oder Dampf können Verbrennungen verursacht werden.
27. Sorgen Sie dafür, dass die Bügelsohle glatt bleibt. Vermeiden Sie, hart gegen ein Metallobjekt zu stoßen.
28. Das Kabel darf nicht mit der Bügelsohle in Kontakt kommen, wenn sie heiß ist.
29. Lassen Sie das Wasser nicht überlaufen. Überschreiten Sie nicht die Höchstmarkierung.
30. Wenn Sie das Bügeleisen zum ersten Mal benutzen, stellen Sie es auf ein altes Stück Stoff, um sicherzustellen, dass die Bügelsohle und der Wasserbehälter ganz sauber sind.
31. Das Bügeleisen sollte auf einem stabilen Bügelbrett benutzt werden.
32. Für das Gerät darf nur destilliertes Wasser verwendet werden, jedoch kein Leitungswasser oder andere Flüssigkeiten.
33. Um Verbrennungen zu vermeiden, den ausgestoßenen Dampf nicht auf Personen oder Tiere richten.
34. Das mitgelieferte Unterteil benutzen. Zur Gefahrenvermeidung darf das Unterteil nicht willkürlich ersetzt werden.

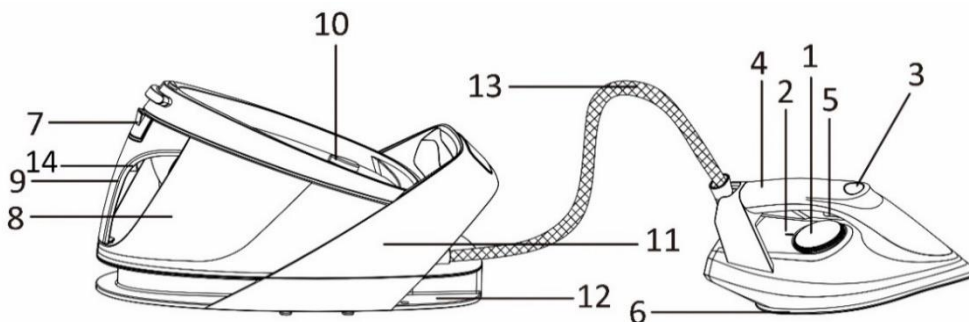


35. **Vorsicht – heiße Oberfläche.**

WARNUNG! Bitte berühren Sie während des Gebrauchs nicht die Oberfläche. Die Temperatur der zugänglichen Oberflächen kann sehr hoch sein, wenn das Gerät in Betrieb ist.

36. Um Informationen zur Reinigung und Wartung zu erhalten, lesen Sie bitte die nachfolgenden Abschnitte.

BESCHREIBUNG DER TEILE



1. Temperaturregler
2. Temperatur-Anzeigemarke
3. Anzeigeleuchte
4. Bügeleisengriff
5. Dampftaste & Arretierung
6. Keramische Bügelsohle
7. Wasserzulaufklappe
8. Wassertank

9. Griff am Wassertank
10. Thermodämmständer
11. Unterteil
12. Nut zur Kabelverlegung
13. Dampfzufuhrleitung
14. Taste zum Herausnehmen des Wassertanks

VOR ERSTBENUTZUNG

Entfernen Sie das gesamte Verpackungsmaterial. Vergewissern Sie sich, dass das Gerät vom Stromnetz getrennt ist und der Temperaturregler auf „OFF“ steht.

Wasser bis zur Maximalmarke am Wassertank einfüllen. Für das Gerät darf nur destilliertes Wasser verwendet werden, jedoch kein Leitungswasser oder andere Flüssigkeiten.

Wasser einfüllen:

Den Wassertank am Griff anfassen und die Entriegelung drücken. Anschließend den Wassertank vom Unterteil abnehmen. Die Wasserzulaufklappe öffnen, um geeignetes Wasser einzufüllen.

Den Netzstecker an eine Steckdose anschließen und den Temperaturregler auf die höchste Stufe einstellen. Sobald die Anzeigelampe erlischt, die Dampftaste zum Dampfbügeln gedrückt halten und auf ein Stück alten Stoff bügeln, um eventuelle Rückstände zu beseitigen. **(Siehe unter „Dampfbügeln“)**

Hinweis:

- 1) Bei Erstbenutzung haben Sie etwas Rauch- und Geruchsentwicklung. Dies ist harmlos und völlig normal und dauert nur einen kurzen Moment. Bitte achten Sie auf ausreichende Lüftung.
- 2) Beim Aktivieren der Dampffunktion ist am Gerät unter Umständen ein Pumpperäusch zu hören. Das ist normal. An dem Geräusch erkennt man, dass gerade Wasser in das Gerät gepumpt wird.
- 3) Kontinuierliche Nachfüllfunktion: Wenn der Wassertank während des Betriebs leer ist, können Sie den Wassertank herausnehmen und nachfüllen.

BEDIENUNG

Vor dem Einstellen der Temperatur lesen Sie die Bedienungsanleitung des Bügeleisens oder die Bügelvorschrift an Kleidungsstücken.

Anmerkung: Wenn Sie an der Kleidung kein Etikett mit Pflegehinweisen finden, dann beginnen Sie das Bügeln mit der niedrigsten Temperatur.

OFF	Aus
●	Synthetisch
●●	Seide, Wolle
●●● MAX	Leinen ,Baumwolle, Höchste Temperatur

TROCKENBÜGELN

1. Das Bügeleisen auf dem Thermodämmständer des Unterteils abstellen. Die Dampftaste darf nicht arretiert sein.
2. Stecken Sie den Netzstecker in eine geeignete Steckdose.
3. Wählen Sie mit dem Temperaturregler die gewünschte Einstellung.
4. Sobald die Anzeigeleuchte erlischt (etwa 1 Minute), ist die Zieltemperatur erreicht. Das Bügeleisen ist einsatzbereit.
5. Zum Ausschalten des Bügeleisens den Temperaturregler gegen den Uhrzeigersinn auf “OFF” stellen. Das Bügeleisen wieder auf das Unterteil stellen und den Netzstecker ziehen.

Warnung: Vor dem Abkühlen keinesfalls die heiße Soleplatte berühren!

DAMPFBÜGELN

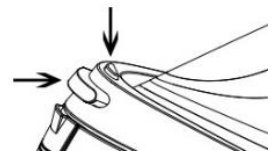
1. Das Unterteil auf einem stabilen und geraden Untergrund aufstellen.
2. Wasser über die Einfüllöffnung in den Tank füllen. (Siehe dazu **“Wasser nachfüllen”** unter **“VOR DEM ERSTEN GEBRAUCH”**). Die maximale Füllmenge des Wassertanks beträgt 1,5 l. Die Marke „MAX“ sollte am Wassertank nicht überschritten werden.
3. Das Bügeleisen auf dem Thermodämmständer des Unterteils abstellen. Die Dampftaste darf nicht arretiert sein.
4. Den Netzstecker an eine Steckdose anschließen. Den Temperaturregler auf die gewünschte Temperaturstufe stellen (Dampf kann nur bei Auswahl der Stufe **“●●●MAX”** erzeugt werden). Das Bügeleisen erwärmt sich und die Temperaturanzeige leuchtet auf.
5. Sobald die Anzeigeleuchte erlischt, ist die Zieltemperatur erreicht. Das Bügeleisen ist einsatzbereit.
6. Zum Dampfbügeln die Dampftaste gedrückt halten. Beim Bügeln tritt Dampf aus den Öffnungen der Soleplatte aus. Die maximale Dampfleistung beträgt 200 g.
Die Arretierung drücken, um die eingeschaltete Dampftaste festzusetzen. Das Gerät gibt dann ununterbrochen Dampf aus.
7. Vertikale Dampffunktion: Die Dampffunktion kann auch angewendet werden, wenn das Bügeleisen in vertikaler Position gehalten wird. Dies ist nützlich, um Falten in hängenden Kleidungsstücken, Vorhängen usw. zu entfernen.
8. Zum Ausschalten des Bügeleisens den Temperaturregler gegen den Uhrzeigersinn auf **“OFF”** stellen. Das Bügeleisen wieder auf das Unterteil stellen und den Netzstecker ziehen.

Nut zur Kabelverlegung

Wird das Gerät nicht gebraucht, kann die Dampfzufuhrleitung in der Nut verlegt und verstaut werden.

Geräteverriegelung

Wenn das Gerät nicht gebraucht wird oder transportiert werden soll, kann das Bügeleisen mit der Verriegelungstaste am Unterteil verriegelt werden. Zum Lösen die Entriegelung drücken.



Warnhinweise:

- 1) Die heiße Soleplatte nicht berühren, wenn sie noch nicht ganz abgekühlt ist!
- 2) Den Dampf niemals auf Personen richten!
- 3) Die Dampftaste nicht drücken, wenn das Bügeleisen auf dem Unterteil steht, um Verbrühungen durch Dampf zu verhindern.
- 4) Nach dem Bügeln ist die Soleplatte noch heiß. Nie mit den Händen berühren, sondern auf dem Thermodämmständer abgestellt lassen, bis sich das Gerät vollständig abgekühlt hat.

UNTERTEMPERATURSCHUTZ

Um ein Austreten von Wasser aus der Soleplatte zu verhindern, falls eine zu niedrige Temperatur gewählt wurde, ist das Gerät mit einem Schutz vor Untertemperaturen ausgestattet. Ist die Temperatur auf weniger als auf die Stufe **“●●●”** gestellt, geht die Pumpe beim Drücken der Dampftaste nicht in Betrieb.

INTEGRIERTES KALKSCHUTZ-SYSTEM

Die eingebaute Kalkschutz-Kartusche soll die Kalkablagerungen reduzieren, die sich während des Dampfbügelns bilden. Dadurch wird die Nutzungsdauer Ihres Bügeleisens verlängert. Nehmen Sie jedoch bitte zur Kenntnis, dass die Kalkschutz-Kartusche den natürlichen Prozess der Kalkablagerung nicht komplett verhindern kann.

REINIGUNG

- Vergewissern Sie sich vor der Reinigung, dass der Netzstecker des Bügeleisens gezogen ist und das Gerät vollständig abgekühlt ist.

- Ablagerungen an der Bügelsohle können mit einem groben, mit einer Essigwasserlösung getränkten Tuch entfernt werden.
- Gehäuse und Unterteil können mit einem feuchten Lappen abgeputzt und mit einem Tuch trocken gewischt werden.
- Verwenden Sie keine Scheuermittel für die Bügelsohle.
- Achten Sie darauf, dass die Bügelsohle glatt bleibt. Vermeiden Sie den Kontakt mit Metallgegenständen.

BÜGELTIPPS

- Das Aufheizen des Bügeleisens ist schneller als das Abkühlen. Deshalb sollte mit dem Bügeln von Kleidungsstücken begonnen werden, die geringere Temperaturen vertragen, z. B. Synthetikfasern.
- Besteht der Stoff aus verschiedenen Fasermaterialien, muss zum Bügeln dieses Stoffverbunds immer die niedrigste Bügeltemperatur gewählt werden.
- Synthetik- und Seidenstoffe sollte immer auf der Innenseite gebügelt werden, um Verfärbungen zu vermeiden.
- Samt und andere Stoffe, die sich schnell verfärben, sollten unter leichtem Druck in eine Richtung gebügelt werden. Mit dem Bügeleisen nie an einer Stelle anhalten, sondern immer weiter bewegen.
- Reine Wolle (100 % Wolle) kann dampfgebügelt werden. Als Unterlage einen trockenen Stoff benutzen und die entsprechende Stoffeinstellung zum Bügeln wählen.
- Nie über Reißverschlüssen oder Nieten im Stoff hinweg bügeln. Dadurch wird die Soleplatte beschädigt. Um solche Gegenstände immer herumbügeln.

HINWEIS: Beim Bügeln von Wollstoffen kann sich der Stoff verfärben. Daher sollte das Kleidungsstück gewendet und auf der Innenseite gebügelt werden.

Bei Auftreten von Störungen:

Aus den Löchern der Fußplatte strömen braune Streifen, die die Wäsche beflecken.	Es werden chemische Entkalkungsmittel verwendet.	Geben Sie dem Wasser keine Entkalkungsmittel bei.
	In den Löchern der Fußplatten haben sich Stofffasern angesammelt und werden verbrannt.	Lassen Sie das Bügeleisen abkühlen und wischen danach die Fußplatte mit einem Schwamm sauber. Reinigen Sie die Fußplatte gelegentlich mit einem Staubsauger.
Die Fußplatte ist verschmutzt oder braun und hinterläßt Streifen auf der Wäsche.	Die Wäsche wurde nicht gründlich gespült oder Sie haben ein neues Kleidungsstück geglättet, das zuvor nicht gewaschen wurde.	Achten Sie darauf, dass die Wäsche gründlich gespült wurde, um sicherzustellen, dass sämtliche Seifenrückstände bzw. Chemikalien auf neuen Kleidungsstücken entfernt wurden.
	Das Bügeleisen hat eine zu hohe Temperatur.	Lassen Sie das Bügeleisen abkühlen und wischen danach die Fußplatte mit einem Schwamm sauber. Stellen Sie die Temperatur angemessen ein.
Die Fußplatte ist zerkratzt.	Das Bügeleisen wurde flach auf auf ein Abstellgitter aus Metall oder über einen Reißverschluss gefahren.	Stellen Sie das Bügeleisen stets auf dessen Absatz senkrecht hin. Nicht über Reißverschlüsse fahren.

TECHNISCHE DATEN

Betriebsspannung: 220-240V ~ 50-60Hz

Leistungsaufnahme: 2200W

GEWÄHRLEISTUNG UND KUNDENSERVICE

Vor der Lieferung werden unsere Geräte einer strengen Qualitätskontrolle unterzogen. Wenn, trotz aller Sorgfalt, während der Produktion oder dem Transport Beschädigungen aufgetreten sind, senden Sie das Gerät zurück an den Händler.

Wir bieten eine 2-Jahres-Gewährleistung für das erworbene Gerät, beginnend am Tag des Verkaufs. Wenn Sie ein defektes Produkt haben, nehmen Sie bitte direkt Kontakt mit dem Verkäufer auf.

Defekte, die aufgrund von unangemessenem Umgang mit dem Gerät entstehen und Störungen aufgrund von Eingriffen und Reparaturen Dritter oder das Montieren von nicht-Originalteilen werden nicht von dieser Gewährleistung abgedeckt. Die Quittung immer aufbewahren, ohne Quittung wird jegliche Gewährleistung ausgeschlossen. Bei Schäden durch Nichteinhalten der Bedienungsanleitung erlischt die Gewährleistung, Wir sind für daraus resultierende Folgeschäden nicht haftbar. Für Materialschäden oder Verletzungen aufgrund falscher Anwendung oder Nichtbefolgen der Sicherheitshinweise sind wir nicht haftbar. Schäden an den Zubehörteilen bedeutet nicht, dass das gesamte Gerät kostenlos ausgetauscht wird. In diesem Fall kontaktieren Sie unseren Kundendienst. Zerbrochenes Glas oder Kunststoffteile sind immer kostenpflichtig. Schäden an Verbrauchsmaterialien oder Verschleißteilen, sowie Reinigung, Wartung oder Austausch der besagten Teile werden durch die Gewährleistung nicht abgedeckt und sind deshalb kostenpflichtig.



Das nebenstehende Symbol einer durchgestrichenen Mülltonne auf Rädern zeigt an, dass dieses Gerät der Richtlinie 2012/19/EU unterliegt. Diese Richtlinie besagt, dass Sie dieses Gerät am Ende seiner Nutzungszeit nicht mit dem normalen Haushaltsmüll entsorgen dürfen, sondern in speziell eingerichteten Sammelstellen, Wertstoffhöfen oder Entsorgungsbetrieben abgeben müssen. Diese Entsorgung ist für Sie kostenfrei. Schonen Sie die Umwelt und entsorgen Sie fachgerecht.

Beim Kauf eines Neugerätes haben Sie das Recht, das entsprechende Altgerät an Ihren Händler zurückzugeben. Händler von Elektro- und Elektronikgeräten mit einer Verkaufsfläche von mindestens 400 qm sowie Lebensmittelhändler mit einer Verkaufsfläche von mindestens 800 qm, die regelmäßig Elektro- und Elektronikgeräte verkaufen, sind außerdem verpflichtet, Altgeräte unentgeltlich zurückzunehmen, auch ohne dass ein Neugerät gekauft wird, wenn die Altgeräte in keiner Abmessung größer sind als 25 cm. Der Händler bietet Ihnen Rücknahmemöglichkeiten direkt in den Filialen und Märkten an. Informieren Sie sich auch bei Ihrem Händler über die Rücknahmemöglichkeiten vor Ort.

Sofern Ihr Altgerät personenbezogene Daten enthält, sind Sie selbst für deren Löschung verantwortlich, bevor Sie es zurückgeben. Sofern dies ohne Zerstörung des Altgerätes möglich ist, entnehmen Sie die alten Batterien oder Akkus sowie Lampen bevor Sie das Altgerät zur Entsorgung zurückgeben und führen Sie sie einer separaten Sammlung zu. Bei fest eingebauten Akkus ist bei der Entsorgung darauf hinzuweisen, dass das Gerät einen Akku enthält. Weitere Möglichkeiten zur Entsorgung des ausgedienten Produkts erfahren Sie bei Ihrer Gemeinde- oder Stadtverwaltung.

Emerio B.V.
Oudeweg 115
2031 CC Haarlem
The Netherlands

Customer service:
T: +31 (0) 23 3034369
www.emerio.eu/service

Kundeninformation:
T: +49 (0) 3222 1097 600
www.emerio.eu/service

Klantenservice:
T: +31 (0) 23 3034369
www.emerio.eu/service

Looking for spare parts? Have a look at <https://spareparts.emerio.eu>

Sie brauchen Ersatzteile? Besuchen Sie <https://ersatzteile.emerio.eu>

Onderdelen nodig? Kijk op <https://onderdelen.emerio.eu>



KUNDENDIENST



ERSATZTEILE

Mode d'emploi – French

CONSIGNES DE SÉCURITÉ

Avant d'utiliser l'appareil, lisez toutes les consignes suivantes pour éviter des blessures et des dommages, et pour optimiser les performances de votre appareil. Conservez cette notice d'utilisation dans un endroit sûr. Si vous donnez ou transférez cet appareil à un tiers, veillez à lui remettre également cette notice d'utilisation.

En cas de détérioration due au non-respect par l'utilisateur des instructions de cette notice d'utilisation, la garantie est annulée. Le fabricant/importateur rejette toute responsabilité en cas de dommages dus au non-respect des instructions de la notice d'utilisation, à un usage négligent ou à l'usage non conforme aux exigences de cette notice d'utilisation.

1. Cet appareil peut être utilisé par des enfants âgés d'au moins 8 ans et par des personnes ayant des capacités physiques, sensorielles ou mentales réduites ou dénuées d'expérience ou de connaissance, s'ils (si elles) sont correctement surveillé(e)s ou si des instructions relatives à l'utilisation de l'appareil en toute sécurité leur ont été données et si les risques encourus ont été appréhendés.
2. Les enfants ne doivent pas jouer avec l'appareil.
3. Le nettoyage et la maintenance ne doivent pas être effectués par des enfants sans surveillance.
4. Si le câble d'alimentation est endommagé, il doit être remplacé par le fabricant, son service après vente ou des personnes de qualification similaire afin d'éviter un danger.
5. Le fer ne doit pas être laissé sans surveillance lorsqu'il est raccordé au réseau d'alimentation.
6. Maintenir le fer et son cordon hors de portée des enfants de moins de 8 ans lorsqu'il est sous tension ou en train de refroidir.
7. Le fer à repasser doit être utilisé et reposé sur une surface plate et stable.
8. Lorsque le fer est remis sur son repose-fer, s'assurer que la surface qui supporte le repose-fer est stable.
9. L'ouverture de remplissage du réservoir ne doit pas être ouverte pendant l'utilisation.
10. Le fer à repasser ne doit pas être utilisé s'il a subi une chute, s'il y a des signes visibles de dommages ou s'il fuit.
11. Avant d'insérer la fiche de l'appareil dans une prise secteur, vérifiez que la tension et la fréquence du secteur correspondent aux spécifications indiquées sur la plaque signalétique.
12. Si vous utilisez une rallonge électrique, elle doit être appropriée à la puissance consommée par l'appareil, sinon la rallonge et/ou la fiche risquent de chauffer excessivement. Il existe un risque potentiel de blessures par trébuchement sur le cordon électrique. Prenez vos précautions pour éviter toute situation dangereuse.
13. Débranchez la fiche électrique de la prise électrique quand l'appareil n'est pas utilisé et avant de le nettoyer.
14. Veillez à ce que le cordon d'alimentation ne pende pas sur des arêtes coupantes et maintenez-le éloigné des objets chauds et des flammes nues.
15. N'immergez jamais l'appareil ou sa fiche dans de l'eau ni dans aucun autre liquide. Cela peut provoquer un choc électrique !
16. Pour débrancher la fiche de la prise, saisissez la fiche et tirez-la hors de la prise. Ne tirez pas sur le cordon d'alimentation.
17. Ne touchez pas l'appareil s'il tombe dans de l'eau. Débranchez la fiche de la prise électrique, éteignez l'appareil et rappelez-le au centre de réparation agréé pour le faire réparer.
18. Ne branchez pas et ne débranchez pas l'appareil de la prise électrique avec les mains mouillées.
19. N'essayez pas d'ouvrir le boîtier de l'appareil ni de réparer l'appareil vous-même. Cela peut provoquer un choc électrique.
20. Ne laissez jamais l'appareil sans surveillance quand il est en fonctionnement.
21. Cet appareil n'est pas conçu pour un usage commercial. Usage en intérieur uniquement.
22. N'utilisez pas cet appareil à un usage autre que celui pour lequel il a été conçu.
23. Éteignez toujours le fer avant de le brancher ou de le débrancher de la prise murale.

24. N'utilisez jamais l'appareil s'il est endommagé.
25. Débranchez toujours le fer si vous devez le laisser sans surveillance, même pour un court instant.
26. Le contact avec les parties métalliques brûlantes, l'eau ou la vapeur brûlante peut provoquer des brûlures.
27. Veillez à ce que la semelle reste lisse. Évitez tout contact dur avec des objets métalliques.
28. Le cordon d'alimentation ne doit pas entrer en contact avec la semelle quand elle est chaude.
29. Évitez que l'eau ne déborde. Ne dépassez pas le niveau maximal.
30. Lors de la première utilisation du fer, placez-le sur un morceau de tissu usagé pour vérifier que sa semelle et son réservoir d'eau sont parfaitement propres.
31. Utilisez le fer à repasser sur une planche à repasser stable.
32. L'appareil doit utiliser de l'eau distillée ou de la vapeur d'eau, pas de l'eau du robinet ou d'autres liquides.
33. Ne dirigez pas la vapeur vers des personnes ou des animaux pour éviter les brûlures.
34. Utilisez la base fournie. La base ne doit pas être remplacée arbitrairement pour éviter tout danger.

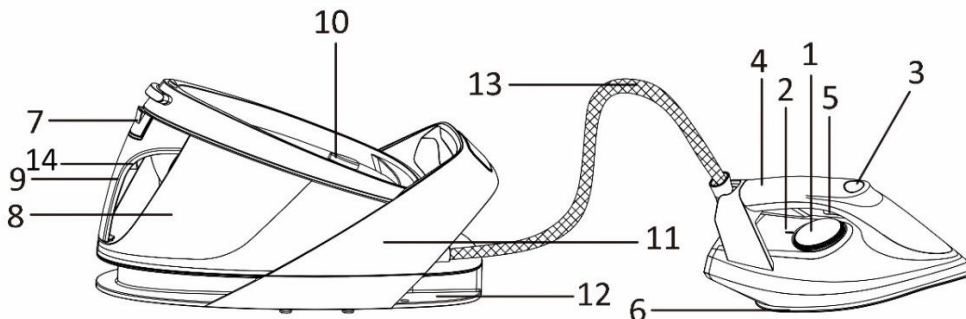


35. Attention, surface chaude.

Avertissement!! Veuillez ne pas toucher la surface pendant l'utilisation. La température des surfaces accessibles peut être élevée lorsque l'appareil est en fonctionnement.

36. Concernant les consignes de nettoyage et d'entretien, merci de consulter les paragraphes suivants.

IDENTIFICATION DES COMPOSANTS



1. Régulateur de la température
2. Ligne indicateur de température
3. Indicateur lumineux
4. Poignée du fer
5. Bouton de vapeur et bouton de verrouillage de la vapeur
6. Semelle en céramique
7. Bouchon d'admission d'eau
8. Réservoir d'eau
9. Poignée du réservoir d'eau
10. Support d'isolation thermique
11. Base de l'unité
12. Rainure d'enroulement du câble
13. Tuyau d'alimentation en vapeur
14. Bouton de séparation du réservoir d'eau

AVANT LA PREMIERE UTILISATION

Retirez tous les emballages. Veillez à ce que l'appareil soit débranché et que le régulateur de température soit sur la position « OFF ».

Remplissez le réservoir d'eau avec de l'eau jusqu'au niveau maximum indiqué sur le réservoir d'eau. L'appareil doit utiliser de l'eau distillée ou de la vapeur d'eau, pas de l'eau du robinet ou d'autres liquides.

Manière de remplir le réservoir d'eau :

Saisissez la poignée du réservoir d'eau et appuyez sur le bouton de séparation pour retirer le réservoir d'eau de la base. Puis ouvrez le bouchon d'admission d'eau pour remplir le réservoir avec l'eau adéquate.

Insérez la fiche dans la prise électrique désignée et réglez le régulateur de la température sur le réglage de la température la plus élevée. Une fois le voyant éteint, appuyez sur le bouton de vapeur et maintenez-le enfoncé pour repasser à la vapeur et pour repasser avec un morceau de tissu pour éliminer les résidus potentiels. **(Référez-vous à la section « Repassage à la vapeur »)**

Remarque :

- 1) Lors de la première utilisation, l'appareil peut dégager une légère odeur ou de la fumée. Ceci ne présente aucun danger et ne dure pas longtemps. Veillez à la bonne aération de la pièce.
- 2) Lorsque vous activez la fonction de vapeur, l'appareil peut émettre un son de pompage. Ce phénomène est normal ; le son vous indique que de l'eau est pompée dans l'appareil.
- 3) Fonction de recharge en continu : Pendant le fonctionnement, si le réservoir d'eau est vide, vous pouvez le sortir et le remplir à nouveau.

FONCTIONNEMENT

Avant de sélectionner la température, lisez le mode d'emploi du fer à repasser ou les conseils d'entretien inscrits sur l'étiquette du vêtement.

Note: en absence de conseils d'entretien sur le vêtement, vous devriez alors commencer le repassage à la température la plus basse.

OFF	ARRÊT
●	Synthétique
●●	Soie / laine
●●● MAX	Lin, Coton, Température la plus élevée

REPASSAGE À SEC

1. Placez le fer sur le support d'isolation thermique de la base de l'appareil. Vérifiez que le bouton de vapeur n'est pas verrouillé.
2. Branchez le fer sur une prise secteur appropriée.
3. Sélectionnez un réglage sur le régulateur de température.
4. Lorsque le voyant lumineux s'éteint, la température requise est atteinte. Le fer est prêt à l'utilisation.
5. Pour éteindre le fer, tournez le régulateur de la température dans le sens des aiguilles d'une montre sur la position « Arrêt » (« OFF »). Remplacez le fer sur la base de l'appareil et retirez la fiche d'alimentation.

Avertissement : Ne touchez jamais la semelle chaude à tout moment avant qu'elle n'ait refroidi !

REPASSAGE À LA VAPEUR

1. Placez la base sur une surface stable et plane.
2. Remplissez le réservoir d'eau avec de l'eau à travers l'orifice de remplissage. (Référez-vous à la section « Manière de remplir le réservoir d'eau » dans « AVANT LA PREMIERE UTILISATION »). La capacité maximale du réservoir d'eau est de 1,5 L, le niveau d'eau ne doit pas dépasser la marque « MAX » sur le réservoir.
3. Placez le fer sur le support d'isolation thermique de la base de l'appareil. Vérifiez que le bouton de vapeur ne soit pas verrouillé.

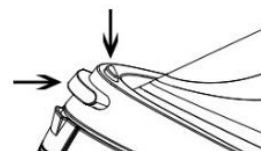
4. Branchez le câble d'alimentation dans une prise secteur appropriée. Tournez le régulateur de la température pour sélectionner la température souhaitée (la vapeur ne peut être déclenchée que sur le réglage « ●●●MAX »). Le fer commence à chauffer et l'indicateur de température s'allume.
5. Lorsque l'indicateur lumineux s'éteint, la température requise est atteinte. Le fer est prêt à l'emploi.
6. Appuyez sur le bouton de vapeur et maintenez-le enfoncé pour repasser à la vapeur, de la vapeur commence à s'échapper des trous de la semelle lorsque vous repassez. Le débit maximal de vapeur est de 200 g. Appuyez sur le bouton de vapeur et verrouillez-le pour avoir de la vapeur en continu.
7. Fonction vapeur verticale : la fonction vapeur peut également être appliquée lorsque le fer est tenu en position verticale, ce qui est utile pour défroisser les vêtements suspendus, les rideaux, etc.
8. Pour éteindre le fer, tournez le régulateur de la température dans le sens des aiguilles d'une montre sur la position « Arrêt » (« OFF »). Replacez le fer sur la base de l'appareil et retirez la fiche d'alimentation.

Rainure d'enroulement du câble

Lorsqu'il n'est pas utilisé, le tuyau d'alimentation en vapeur et le câble d'alimentation peuvent être enroulés le long de la rainure d'enroulement du câble pour le stockage.

Dispositif de verrouillage du fer

Lorsque l'appareil n'est pas utilisé ou lorsque vous souhaitez le déplacer, le fer peut être verrouillé sur la base en appuyant sur le bouton de verrouillage. Appuyez sur le bouton de déverrouillage pour le libérer.



Précautions :

- 1) Ne touchez pas la semelle chaude à tout moment avant qu'elle n'ait refroidi !
- 2) Ne dirigez jamais la vapeur vers des personnes !
- 3) N'actionnez pas le bouton de vapeur lorsque le fer est placé sur la base de l'appareil pour éviter de vous brûler avec la vapeur.
- 4) Après le repassage, la semelle est encore chaude. Ne touchez jamais la semelle avec la main et placez le fer sur le support d'isolation thermique jusqu'à ce qu'il refroidisse complètement.

FONCTION DE PROTECTION BASSE TEMPÉRATURE

Afin d'éviter les fuites d'eau de la semelle si une température trop basse a été sélectionnée, le produit est doté d'une fonction de protection basse température. La pompe ne fonctionne pas lorsque vous appuyez sur le bouton de vapeur si la température est réglée en dessous du réglage « ●●● ».

SYSTÈME ANTICALCAIRE INTÉGRÉ

La cartouche anticalcaire intégrée est conçue pour réduire l'accumulation de calcaire qui a lieu pendant le repassage à la vapeur. Cela permet de prolonger la durée de vie de votre fer. Toutefois, veuillez noter que la cartouche anticalcaire n'arrête pas complètement le processus naturel de formation du calcaire.

NETTOYAGE ET SOIN

- Avant de nettoyer le fer, s'assurer qu'il est débranché du secteur et qu'il a complètement refroidi.
- Les dépôts sur la semelle peuvent être éliminés à l'aide d'un tissu rêche imbibé de vinaigre dilué dans l'eau.
- Le châssis et la base peuvent être essuyés avec un chiffon humide, puis polis avec un chiffon sec.
- Ne pas utiliser de produits abrasifs sur la semelle.
- Ne pas abîmer la semelle. Éviter le contact dur avec tout objet métallique.

CONSEILS DE REPASSAGE

- Le fer chauffe plus vite qu'il ne refroidit. Par conséquent, vous devriez commencer à repasser les articles nécessitant la plus basse température telles que les vêtements en fibre synthétique.

- Si le tissu est constitué de différents types de fibres, vous devez toujours sélectionner la température de repassage la plus basse pour repasser la composition de ces fibres.
- Les tissus en fibres synthétiques et en soie doivent être repassés sur leur face intérieure pour éviter les brillances.
- Le velours et d'autres textures qui deviennent brillantes doivent être repassés rapidement dans un sens en appliquant une légère pression. Gardez toujours le fer en mouvement à tout moment.
- Les tissus de laine pure (100% laine) peuvent être repassés avec le fer à vapeur. Utilisez un chiffon sec par-dessus, puis sélectionnez le réglage du tissu correspondant pour le repassage.
- Ne repassez jamais les fermetures éclair ou les rivets dans le tissu. Cela endommagerait la semelle. Repassez-vous autour d'un tel objet.

REMARQUE : Lors du repassage des tissus en laine, il est possible que le tissu brille. Nous vous suggérons donc de retourner l'article et de repasser l'envers.

Un problème survient?

Des coulures brunes sortent des trous de la semelle et tachent le linge.	Vous utilisez des détartrants chimiques.	N'ajoutez aucun détartrant à l'eau.
	Des fibres textiles se sont accumulées dans les trous de la semelle et se carbonisent.	Laissez le fer refroidir et nettoyez la semelle avec une éponge. Passez de temps en temps un coup d'aspirateur sur les trous de la semelle.
	Votre linge n'a pas été rincé suffisamment ou vous avez repassé un vêtement neuf avant de le laver.	Vérifiez que votre linge est suffisamment rincé pour éliminer les dépôts de savon ou produits chimiques sur les vêtements neufs.
La semelle est sale ou brune et peut tacher le linge.	Vous repassez à une température trop élevée.	Laissez le fer refroidir et nettoyez la semelle avec une éponge. Sélectionnez le programme approprié.
La semelle est rayée .	Vous avez placé votre fer à plat sur un repose-fer métallique ou repassé une fermeture éclair.	Posez toujours votre fer sur son talon. Ne repassez pas les fermetures éclair.

DONNÉES TECHNIQUES

Tension d'opération: 220-240V ~ 50-60Hz

Consommation énergétique: 2200W

GARANTIE ET SERVICE APRÈS-VENTE

Nos appareils sont soumis à un contrôle de qualité strict avant d'être livrés. Si l'appareil a toutefois été endommagé lors de la production ou du transport en dépit des soins que nous lui donnons, retournez l'appareil au vendeur.

Nous offrons une garantie de 2 ans pour l'appareil acheté à partir de la date de vente. En cas de produit défectueux, vous pouvez retourner directement au point de vente.

Les défauts dus à une utilisation non conforme de l'appareil et les dommages dus à une intervention ou réparation faite par une tierce personne ou dus à l'installation de pièces qui ne sont pas d'origine ne sont pas couverts par cette garantie. Conservez toujours votre reçu, car sans celui-ci vous ne pourrez réclamer aucune sorte de garantie. Les dommages causés par le non respect des instructions de ce manuel rendront la garantie caduque, Nous décline toute responsabilité en cas de dommages indirects. Nous décline toute responsabilité en cas de dégâts matériels ou de dommages corporels causés par une utilisation inappropriée ou si les instructions de sécurité n'ont pas été convenablement observées. Si les accessoires sont endommagés, cela ne signifie pas que toute la machine sera remplacée gratuitement. Dans de tels cas, veuillez contacter notre assistance. Des pièces brisées

en verre ou en plastique sont toujours sujettes à des frais. Les défauts des consommables ou des pièces susceptibles de s'user, ainsi que le nettoyage, l'entretien ou la réparation desdites pièces ne sont pas couverts par la garantie et doivent donc être payés.



Le symbole de la poubelle barrée signifie que ce produit ne peut pas être éliminé avec les déchets ménagers usuels. Les équipements électroniques et électriques non compris dans le processus de tri sélectif sont potentiellement dangereux pour l'environnement et la santé humaine en raison de la présence de substances dangereuses. Veuillez les éliminer de manière responsable dans des centres approuvés de traitement ou recyclage des déchets.

Emerio B.V.
Oudeweg 115
2031 CC Haarlem
The Netherlands

Customer service:
T: +31 (0) 23 3034369
www.emerio.eu/service

Kundeninformation:
T: +49 (0) 3222 1097 600
www.emerio.eu/service

Klantenservice:
T: +31 (0) 23 3034369
www.emerio.eu/service

Looking for spare parts? Have a look at <https://spareparts.emerio.eu>

Sie brauchen Ersatzteile? Besuchen Sie <https://ersatzteile.emerio.eu>

Onderdelen nodig? Kijk op <https://onderdelen.emerio.eu>



SERVICE CLIENT



PIÈCES DÉTACHÉES

Bruksanvisning – Swedish

SÄKERHETSANVISNINGAR

Före användning och för att erhålla bästa resultat från apparaten, var noga med att läsa igenom alla instruktioner nedan för att undvika skada på person eller egendom. Se till att förvara denna bruksanvisning på en säker plats. Om du ger bort eller överlåter denna apparat till någon, se till att även inkludera denna bruksanvisning. Vid skador som orsakats av att användaren inte följer instruktionerna i denna bruksanvisning ogiltighetsförklaras garantin. Tillverkaren/importören tar inget ansvar för skador som orsakats av underlåtenhet att följa bruksanvisningen, vid en vårdslös användning eller användning som inte är i enlighet med kraven i denna bruksanvisning.

1. Denna apparat kan användas av barn från 8 år och uppåt, samt av personer med nedsatt fysisk, sensorisk eller mental förmåga eller av personer som saknar erfarenhet och kunskap under förutsättning att de övervakas eller mottagit instruktioner för säker användning av apparaten och förstår riskerna.
2. Barn får inte leka med apparaten.
3. Rengöring och underhåll får inte utföras av barn utan tillsyn.
4. Om strömkabeln är skadad måste den bytas ut av tillverkaren, dess servicerepresentant eller liknande kvalificerad person för att undvika fara.
5. Strykjärnet får inte lämnas obevakat medan det är anslutet till eluttaget.
6. Håll strykjärnet och dess strömkabel utom räckhåll för barn under 8 år när den är påslagen eller svalnar.
7. Strykjärnet måste användas och vila på ett plant och stabilt underlag.
8. Vid placering av strykjärnet på ställningen, säkerställ att ytan som ställningen står på är stabil.
9. Öppningen för påfyllning får inte öppnas under användning.
10. Strykjärnet får inte användas om det har tappats i golvet eller om det finns några synliga skador eller läckage.
11. Innan du ansluter strömkontakten till eluttaget, kontrollera att spänningen och frekvensen överensstämmer med specifikationerna på märkplåten.
12. Om en förlängningskabel används måste den vara lämplig för apparatens strömförbrukning, annars kan överhettning av förlängningskabeln och/eller strömkontakten inträffa.
13. Dra ut strömkontakten från eluttaget när apparaten inte används och före rengöring.
14. Säkerställ att strömkabeln inte hänger över någon skarp kant och håll den borta från varma föremål och öppen eld.
15. Sänk inte ner apparaten eller strömkontakten i vatten eller någon annan vätska. Det är livsfarligt på grund av elektriska stötar!
16. För att dra ut strömkontakten från eluttaget, dra ut den via strömkontakten. Dra inte i strömkabeln.
17. Vidrör inte apparaten om den faller ner i vatten. Dra ut strömkontakten från eluttaget, stäng av apparaten och lämna in den på ett auktoriserat servicecenter för reparation.
18. Du får inte koppla in eller dra ut apparaten från eluttaget med blöta händer.
19. Försök aldrig att öppna apparatens hölje eller reparera den själv. Det kan orsaka elektriska stötar.
20. Lämna aldrig apparaten obevakad vid användning.
21. Denna apparat är inte utvecklad för kommersiell användning. Endast för inomhusbruk.
22. Använd inte apparaten för något annat ändamål än den är avsedd för.
23. Strykjärnet bör alltid vara avstängt före strömkontakten ansluts eller dras ut ur eluttaget.
24. Använd aldrig apparaten om den är skadad på något sätt.
25. När du lämnar apparaten obevakad, även för en kort stund, koppla alltid ur strykjärnet från eluttaget.
26. Brännskador kan inträffa från de heta metalldelarna, hett vatten eller ånga.
27. Håll stryksulan blank och slät. Undvik hård kontakt med metallföremål.
28. Strömkabeln får inte vidröra stryksulan när den är varm.
29. Se till att vatten inte flödar över. Fyll inte på över högsta nivån.

30. Vid användning av strykjärnet för första gången, placera den över en gammal tygbit för att säkerställa att stryksylan och vattenbehållaren är helt ren.
31. Strykjärnet måste användas på en stabil strykbräda.
32. Apparaten måste använda rent vatten eller ångvatten, inte kranvatten eller andra vätskor.
33. Rikta inte ångan mot människor eller djur för att undvika brännskador.
34. Använd den medföljande basen. Underlaget får inte bytas ut godtyckligt för att undvika fara.

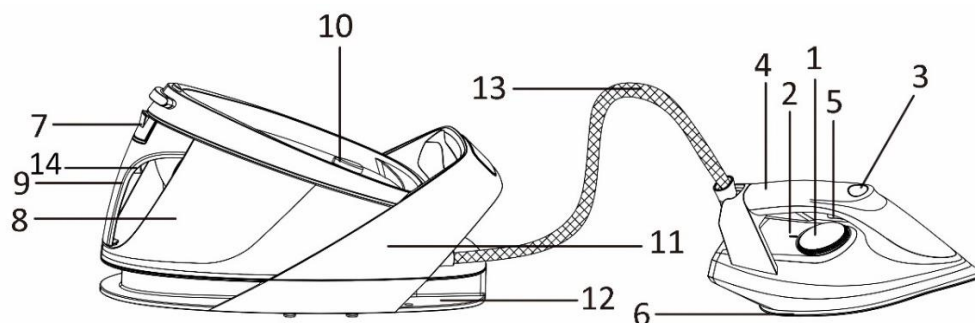


35. Varning, het yta.

WARNING! Vidrör inte ytan vid användning. Temperaturen för åtkomliga ytor kan vara mycket hög när apparaten används.

36. Se nedanstående paragraf för instruktioner för rengöring och underhåll.

IDENTIFIERING AV DELARNA



1. Temperaturregulator
2. Temperaturindikatorlinje
3. Indikatorlampa
4. Strykjärnshandtag
5. Ångknapp och lås för ångknapp
6. Keramisk sula
7. Vattenintag
8. Vattenbehållare
9. Handtag för vattentank
10. Värmeisoleringsstativ
11. Enhetens bas
12. Spår för lindning av sladden
13. Slang för ångtillförsel
14. Knapp för separering av vattentankar

FÖRE DEN FÖRSTA ANVÄNDNINGEN

Ta bort allt förpackningsmaterial. Se till att apparaten är urkopplad och att temperaturregulatorn är inställd på läge "OFF".

Fyll vatten i vattentanken upp till den högsta nivån som är markerad på vattentanken. Apparaten måste använda rent vatten eller ångvatten, inte kranvatten eller andra vätskor.

Hur man fyller på vatten:

Ta tag i handtaget för vattentanken och tryck på separeringsknappen för att dra ut vattentanken från enhetens bas. Öppna sedan vatteninloppsluckan för att fylla på rätt vatten.

Sätt in strömkontakten i ett avsett uttag och ställ in temperaturregulatorn på den högsta temperaturinställningen. När indikatorlampan har slocknat trycker du på ångknappen för ångstrykning och håller den intryckt och stryker på en gammal tygbit för att avlägsna eventuella rester. **(Se "ångstrykning")**

Notera:

- 1) Vid första användningen kan det uppstå en lätt lukt eller rök. Men det är ofarligt och bara kortvarigt. Se till att det finns tillräcklig ventilation.
- 2) När du aktiverar ångfunktionen kan apparaten ge ifrån sig ett pumpande ljud. Detta är normalt; ljudet visar att vatten pumpas in i apparaten.
- 3) Funktion för kontinuerlig påfyllning: Om vattentanken är tom under drift kan du ta ut den och fylla på den.

ANVÄNDNING

Innan du väljer temperatur, läs bruksanvisningen för strykjärnet eller skötselråden på klädernas etikett.

Notera: Om det inte finns några skötselråd på plagget bör du börja stryka med lägsta temperatur.

AV	Av
●	Syntetisk
●●	Silke, ull
●●●● MAX	Linne, bomull, högsta temperatur

TORRSTRYKNING

1. Placera strykjärnet på det värmeisolerande stativet på enhetens bas. Kontrollera att ångknappen inte är låst.
2. Anslut strykjärnet till ett lämpligt nätuttag.
3. Välj inställningen på temperaturregulatorn.
4. När indikatorlampan slocknar (ca 1 minut) har den önskade temperaturen uppnåtts. Strykjärnet är redo att användas.
5. För att stänga av strykjärnet vrider du temperaturregulatorn moturs till läge "OFF". Sätt tillbaka strykjärnet på enhetens bas och dra ut stickkontakten.

Varning: Rör aldrig vid den heta sulan innan den har svalnat!

ÅNGSTRYKNING

1. Placera enhetens bas på ett stabilt och plant underlag.
2. Fyll vattenbehållaren med vatten genom påfyllningsöppningen. (Se "**Hur man fyller på vatten**" i avsnittet "**INNAN FÖRSTA ANVÄNDNING**"). Vattenbehållarens maxkapacitet är 1,5 liter, vattennivån får inte överstiga markeringen "MAX" på vattenbehållaren.
3. Placera strykjärnet på det värmeisolerande stativet på enhetens bas. Kontrollera att ångknappen inte är låst.
4. Anslut kontakten till vägguttaget. Vrid temperaturregulatorn för att välja önskad temperaturinställning (ånga kan endast utlösas i inställningen "●●●●MAX"). Strykjärnet börjar värmas upp och temperaturindikatorn lyser.
5. När indikatorlampan slocknar har den önskade temperaturen uppnåtts. Strykjärnet är redo att användas.
6. Tryck på ångknappen och håll den intryckt för ångstrykning; ånga börjar komma ut från hålen i sulan medan du stryker. Den maximala ångproduktionen är 200 g.
Tryck ångknappslåset nedåt för att låsa ångknappen för kontinuerlig ånga.
7. Vertikal ångfunktion: ångfunktionen kan också användas när du håller strykjärnet i vertikalt läge, vilket är användbart för att ta bort veck från hängande kläder, gardiner osv.

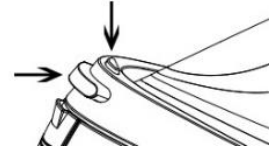
8. För att stänga av strykjärnet vrider du temperaturregulatören moturs till läge "OFF". Sätt tillbaka strykjärnet på enhetens bas och dra ut stickkontakten.

Spår för lindning av sladden

När den inte används kan ångförsörjningsslangen lindas upp längs sladdrännan för förvaring.

Strykjärnets låsanordning

När du inte använder strykjärnet, eller när du vill flytta det, kan du låsa fast strykjärnet på enhetens bas genom att trycka på låsknappen. Tryck på upplåsningsknappen för att frigöra den.



Försiktighet:

- 1) Rör inte vid den heta sulan förrän den svalnat!
- 2) Rikta aldrig ångan mot människor!
- 3) Aktivera inte ångknappen när strykjärnet är placerat på enhetens bas för att undvika att bli skållad av ångan.
- 4) Efter strykningen är plattan fortfarande varm. Rör aldrig vid den med handen och placera den på det värmeisolerande stativet tills den svalnar helt.

SKYDD MOT LÅG TEMPERATUR

För att förhindra vattenläckage från sulan om en för låg temperatur har valts har produkten utformats med en funktion för skydd mot låg temperatur. Pumpen fungerar inte när du trycker på ångknappen om temperaturen är inställd under inställningen "●●●".

INBYGGT ANTIKALKSYSTEM

Den inbyggda anti-kalkpatronen är utformad för att minska uppkomsten av kalk som uppstår vid ångstrykning. Detta förlänger strykjärnets livslängd. Observera dock att anti-kalkpatronen inte helt och hållet stoppar den naturliga processen med kalkavlagringar.

RENGÖRING

- Innan du rengör strykjärnet ska du se till att det är bortkopplat från strömförsörjningen och att det har svalnat helt.
- Avlagringar på sulan kan avlägsnas med en grov trasa som är indränkt i en lösning av ättika och vatten.
- Gjutningen och basenheten kan torkas av med en fuktig trasa och sedan poleras med en torr trasa.
- Använd inte slipmedel på sulan.
- Håll sulan jämn. Undvik hård kontakt med metallföremål.

STRYKNINGSTIPS:

- Strykjärnet värms upp snabbare än det svalnar. Därför bör du börja stryka de artiklar som kräver lägre temperatur, t.ex. de som är tillverkade av syntetiska fibrer.
- Om tyget består av olika typer av fibrer måste du alltid välja den lägsta stryktemperaturen för att stryka sammansättningen av dessa fibrer.
- Syntetiska fibrer och silkestyg ska strykas på insidan för att undvika att de glänsar.
- Sammet och andra material som snabbt blir glänsande bör strykas i en riktning med lätt tryck. Håll alltid järnet i rörelse när som helst.
- Rena ylletyger (100 % ull) kan strykas med ångstrykning. Använd en torr trasa som underlag och välj sedan motsvarande tyginställning för strykning.
- Stryk aldrig över dragkedjor eller nitar i tyget. Detta skadar sulan. Stryk runt varje sådant föremål.

NOTERA: När du stryker ylletyg kan tyget glänsa. Därför föreslås det att du vänder artikeln ut och in och stryker på baksidan.

Om problem uppstår?

Bruna strimlor kommer genom hålen i sulan och ger en fläck på linnet.	Du använder kemiska avkalkningsmedel.	Tillsätt inga avkalkningsmedel i vattnet.
	Tygfibrer har samlats i hålen i sulan och brinner.	Låt strykjärnet svalna och rengör plattan med en svamp. Dammsug hålen i sulan från tid till annan.
	Du har inte sköljt ditt linne tillräckligt mycket eller du har strukit ett nytt plagg innan du tvättade det.	Se till att tvätten sköljs tillräckligt för att ta bort eventuella rester av tvål eller kemiska produkter på nya kläder.
Plattan är smutsig eller brun och kan ge fläckar på linnet.	Du stryker med för hög temperatur.	Låt strykjärnet svalna och rengör plattan med en svamp. Välj lämpligt program.
Plattan är repad.	Du har placerat strykjärnet platt på en metallplatta eller strukit över en dragkedja.	Ställ alltid järnet på dess häl. Stryk inte över dragkedjor.

TEKNISKA DATA

Driftsspänning: 220-240V ~ 50-60Hz

Strömförbrukning: 2200W

GARANTI OCH KUNDTJÄNST

Innan leverans genomgår våra apparater en sträng kvalitetskontroll. Om trots detta någon skada skulle uppstå vid produktionen eller vid transporten, ber vi dig att ta med apparaten tillbaka till inköpsstället.

För den köpta apparaten ges 2 års garanti, med början på inköpsdagen. Om du har en defekt produkt, kan du vända dig direkt till inköpsstället.

Brister som uppstår genom icke fackmässig behandling av apparaten och fel som uppstår genom ingrepp och reparationer av tredje man eller montering av främmande delar, omfattas ej av vår garanti. Behåll alltid ditt kvitto. Utan kvitto kan du inte begära någon som helst garanti. Skador som uppstår p.g.a. att instruktionsmanualen inte följs ogiltigförklarar garantin och om detta leder till påföljande skador så kan inte vi hållas ansvariga. Vi kan inte hållas ansvariga för materiella skador eller personskador som orsakas av felaktig användning eller om inte säkerhetsföreskrifterna följs. Skador på tillbehören innebär inte per automatik ersättning av hela apparaten. I sådana fall ska du kontakta vår kundservice. Trasigt glas och trasiga plastdelar innebär alltid en kostnad. Defekter på förbrukningsartiklar eller slitdelar och även skador orsakade av rengöring, underhåll eller byte av tidigare nämnda delar täcks inte av garantin och ska således betalas av ägaren.



Den överkorsade soptunnan betyder att denna produkt inte skall kastas i de vanliga hushållssoporna. Elektronisk och elektrisk utrustning som inte källsorteras utgör en potentiell risk för miljön och människors hälsa på grund av att de innehåller farliga substanser. Avyttra på ett ansvarsfullt sätt och lämna till en godkänd återvinningsanläggning.

Emerio B.V.
Oudeweg 115
2031 CC Haarlem
The Netherlands

Customer service:
T: +31 (0) 23 3034369
www.emerio.eu/service

Kundeninformation:
T: +49 (0) 3222 1097 600
www.emerio.eu/service

Klantenservice:
T: +31 (0) 23 3034369
www.emerio.eu/service

Looking for spare parts? Have a look at <https://spareparts.emerio.eu>
Sie brauchen Ersatzteile? Besuchen Sie <https://ersatzteile.emerio.eu>
Onderdelen nodig? Kijk op <https://onderdelen.emerio.eu>



KUNDTJÄNST



RESERVDELAR

Gebruiksaanwijzing – Dutch

VEILIGHEIDSVOORSCHRIFTEN

Voor gebruik dient u alle onderstaande instructies te lezen om letsel en schade te voorkomen en om de beste resultaten met het apparaat te bereiken. Bewaar deze handleiding op een veilige plek. Mocht u dit apparaat aan iemand anders overhandigen, dient u ook de gebruiksaanwijzing te overhandigen.

In geval van schade die wordt veroorzaakt doordat de gebruiker de instructies in deze gebruiksaanwijzing niet in acht heeft genomen, komt de garantie te vervallen. De fabrikant/importeur is niet aansprakelijk voor schade die wordt veroorzaakt door het niet in acht nemen van de gebruiksaanwijzing, door nalatig gebruik of gebruik dat niet in overeenstemming is met de bepalingen van deze gebruiksaanwijzing.

1. Dit apparaat mag worden gebruikt door kinderen vanaf 8 jaar en personen met beperkte fysieke, visuele of mentale vaardigheden, of die een gebrek aan ervaring en kennis hebben, indien ze gepaste instructies hebben gekregen zodat ze het apparaat op een veilige manier kunnen gebruiken, op de hoogte zijn van de gevaren die het gebruik van het apparaat met zich meebrengt en deze gevaren begrijpen.
2. Laat kinderen niet met het apparaat spelen.
3. Kinderen mogen het apparaat niet reinigen of onderhouden zonder toezicht.
4. Als het snoer is beschadigd, moet het worden vervangen door de fabrikant, zijn klantenservice of gelijksoortig geschoolde personen om gevaar te vermijden.
5. Het strijkijzer mag niet zonder toezicht worden achtergelaten terwijl de stekker nog in het stopcontact zit.
6. Houd het strijkijzer en de kabel buiten het bereik van kinderen jonger dan 8 jaar terwijl het is ingeschakeld of nog afkoelt.
7. Gebruik en plaats het strijkijzer op een vlak en stabiel oppervlak.
8. Als u het strijkijzer op de steun plaatst, dient u ervoor te zorgen dat het oppervlak waarop u het plaatst stabiel is.
9. De vulopening mag niet worden geopend tijdens het gebruik.
10. Het strijkijzer mag niet worden gebruikt nadat het is gevallen, als er zichtbare tekenen van beschadigingen bestaan of als het lekt.
11. Voordat u de stekker in het stopcontact steekt, dient u te controleren of de stroom en de frequentie overeen komen met de specificaties van het typeplaatje.
12. Als u gebruik maakt van een verlengkabel, dient dit geschikt te zijn voor het stroomverbruik van het apparaat, anders kan oververhitting van de verlengkabel en/of stekker het gevolg zijn. Er is risico op letsel door het struikelen over het verlengsnoer. Wees voorzichtig om gevaarlijke situaties te vermijden.
13. Trek de stekker uit het stopcontact als het apparaat niet in gebruik is en voordat u het apparaat reinigt.
14. Let op dat de stroomkabel niet over scherpe randen hangt en niet in de buurt komt van hete voorwerpen en open vuur.
15. Dompel het apparaat of de stekker niet onder in water of andere vloeistoffen. Er bestaat levensgevaar als gevolg van een elektrische schok!
16. Om de stekker uit het stopcontact te halen, dient u aan de stekker zelf te trekken. Trek niet aan de stroomkabel.
17. Raak het apparaat niet aan als het in water is gevallen. Trek de stekker uit het stopcontact, schakel het apparaat uit en breng het ter reparatie naar een geautoriseerd servicecenter.
18. Steek de stekker niet in het stopcontact en haal hem er niet uit als u natte handen heeft.
19. Probeer nooit de behuizing van het apparaat te openen en probeer nooit zelf het apparaat te repareren. Dit kan een elektrische schok veroorzaken.
20. Laat het apparaat nooit onbeheerd achter wanneer het in gebruik is.
21. Dit apparaat werd niet ontworpen voor commercieel gebruik. Alleen voor gebruik binnenshuis.
22. Gebruik het apparaat niet voor andere doeleinden dan het beoogde doel.

23. Het strijkijzer moet altijd zijn uitgeschakeld voordat u de stekker in het stopcontact steekt of eruit trekt.
24. Gebruik het apparaat nooit als het op enigerwijze beschadigd is.
25. Trek altijd de stekker uit het stopcontact als u weg gaat, ook als het maar voor eventjes is.
26. Door het aanraken van hete metalen onderdelen, door heet water of stoom kunnen brandwonden ontstaan.
27. Houd de strijkzool altijd glad. Voorkom hard contact met metalen voorwerpen.
28. De kabel mag de strijkzool niet aanraken als deze heet is.
29. Voorkom dat u water morst tijdens het vullen. Niet boven het max. niveau vullen.
30. Als u het strijkijzer voor het eerst gebruikt, strijk dan eerst op een oud stuk stof om ervoor te zorgen, dat de strijkzool en het waterreservoir helemaal schoon zijn.
31. Het strijkijzer dient op een stabiele strijkplank te worden gebruikt.
32. Gebruik het apparaat alleen met zuiver water of stoomwater, en niet met leidingwater of een andere vloeistof.
33. Richt de stoom niet naar personen of dieren om brandwonden te vermijden.
34. Gebruik het inbegrepen voetstuk. Vervang het voetstuk niet door iets anders om elk risico te vermijden.

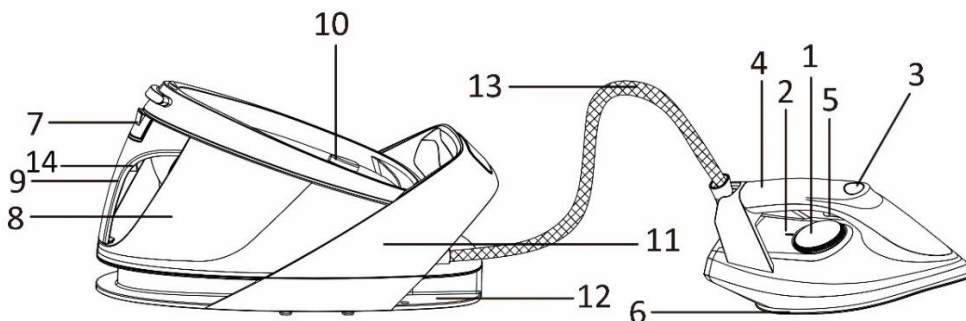


35. **Opgelet, heet oppervlak.**

WAARSCHUWING!! Raak het oppervlak niet aan tijdens het gebruik. De temperatuur van de toegankelijke oppervlakken kan hoog oplopen als het apparaat in werking is.

36. Neem onderstaande paragrafen in acht wat betreft de instructies voor de reiniging en het onderhoud.

IDENTIFICATIE ONDERDELEN



1. Temperatuurregelaar
2. Temperatuuraanduidingslijn
3. Controlelampje
4. Handvat van strijkijzer
5. Stoomknop en stoomknopvergrendeling
6. Keramische zoolplaat
7. Klep van waterinlaat
8. Waterreservoir
9. Handvat van waterreservoir
10. Warmte-isolerend kussen
11. Basisstation
12. Snoeropslaggroef
13. Stoomtoevoerslang
14. Ontgrendelingsknop voor waterreservoir

VÓÓR INGEBRUIKNAME

Verwijder alle verpakkingsmateriaal. Zorg dat de stekker niet in het stopcontact zit en de temperatuurregelaar op de stand "OFF" (uit) is ingesteld.

Vul het waterreservoir met water tot aan de aangegeven max. markering op het waterreservoir. Gebruik het apparaat alleen met zuiver water of stoomwater, en niet met leidingwater of een andere vloeistof.

Met water vullen:

Pak het handvat van het waterreservoir vast en druk op de ontgrendelingsknop om het waterreservoir uit het basisstation te trekken. Open vervolgens de klep van de waterinlaat om het reservoir met gepast water te vullen. Steek de stekker in een gepast stopcontact en stel de temperatuurregelaar in op de hoogste stand. Wanneer het controlelampje dooft, druk en houd de stoomknop ingedrukt om te stoomstrijken en strijk op een oude vod om mogelijke resten te verwijderen. **(Raadpleeg „Stoomstrijken“)**

Opmerking:

- 1) Tijdens het eerste gebruik kan er wat rook of een luchtje worden afgegeven. Dit is onschadelijk en slechts van korte duur. Zorg voor voldoende ventilatie.
- 2) Wanneer u de stoomfunctie inschakelt, kan het apparaat pompgeluiden maken. Dit is normaal; het geluid geeft aan dat er water in het apparaat wordt gepompt.
- 3) Continu bijvullen-functie: Als het waterreservoir tijdens gebruik leeg raakt, kunt u het waterreservoir eruit halen en bijvullen.

WERKING

Alvorens de temperatuur te selecteren, lees de instructiehandleiding van het strijkijzer of het advies op het label van het kledingstuk.

Opmerking: Als er geen advies staat op het kledingstuk, zet het strijkijzer op de laagste temperatuur.

OFF	UIT
•	Synthetisch
••	Zijde / wol
••• MAX	Linnen, Katoen, Hoogste temperatuur

DROOGSTRIJKEN

1. Plaats het strijkijzer op het warmte-isolerend kussen van het basisstation. Zorg dat de stoomknop niet is vergrendeld.
2. Steek de stekker van het strijkijzer in een geschikt stopcontact.
3. Selecteer een instelling op de temperatuurregelaar.
4. Wanneer het controlelampje dooft (ongeveer 1 minuut), is de vereiste temperatuur bereikt. Het strijkijzer is klaar voor gebruik.
5. Om het strijkijzer uit te schakelen, draai de temperatuurregelaar tegen de klok in naar de stand „OFF“ (uit). Plaats het strijkijzer opnieuw op het basisstation en trek de stekker uit het stopcontact.

Waarschuwing: Raak de hete zoolplaat pas aan wanneer deze voldoende is afgekoeld!

STOOMSTRIJKEN

1. Plaats het basisstation op een stabiel en vlak oppervlak.
2. Vul het waterreservoir via de vulopening met water. (Raadpleeg **“Met water vullen”** in **“VOOR INGEBRUIKNAME”**). De max inhoud van het waterreservoir is 1,5 L. Zorg dat het waterpeil de „MAX“ markering op het waterreservoir niet overschrijdt.
3. Plaats het strijkijzer op het warmte-isolerend kussen van het basisstation. Zorg dat de stoomknop niet is vergrendeld.

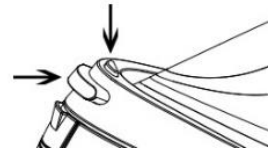
4. Steek de stekker in een stopcontact. Draai de temperatuurregelaar naar uw gewenste temperatuurinstelling (Stoom kan alleen worden geactiveerd in de instelling “●●●MAX”). Het strijkijzer wordt opgewarmd en het temperatuurcontrolelampje brandt.
5. Wanneer het controlelampje dooft, wordt de vereiste temperatuur bereikt. Het strijkijzer is klaar voor gebruik.
6. Druk en houd de stoomknop ingedrukt om de stoomstrijken. Stoom komt tijdens het strijken uit de gaten van de zoolplaat. De max stoomproductie is 200 g.
Duw de stoomknopvergrendeling omlaag om de stoomknop voor continue stoom te vergrendelen.
7. Verticale stoomfunctie: de stoomfunctie kan tevens worden gebruikt wanneer het strijkijzer in verticale positie wordt gehouden. Dit is handig is voor het verwijderen van kreuken uit hangende kleding, gordijnen, etc.
8. Om het strijkijzer uit te schakelen, draai de temperatuurregelaar tegen de klok in naar de stand „OFF“ (uit). Plaats het strijkijzer opnieuw op het basisstation en trek de stekker uit het stopcontact.

Snoeropslaggroef

Wanneer niet in gebruik, wikkel de stoomtoevoerslang op rond de snoeropslaggroef voordat u het apparaat opbergt.

Vergrendeling voor strijkijzer

Wanneer niet in gebruik of wanneer u het apparaat wilt verplaatsen, kan het strijkijzer aan het basisstation worden vastgemaakt door op de vergrendelingsknop te drukken. Druk op de ontgrendelingsknop om het strijkijzer los te maken.



Waarschuwingen:

- 1) Raak de hete zoolplaat pas aan wanneer deze voldoende is afgekoeld!
- 2) Richt de stoom nooit naar mensen.
- 3) Activeer de stoomknop niet wanneer het strijkijzer op het basisstation is geplaatst om geen brandwonden door de hete stoom op te lopen.
- 4) De zoolplaat is na het strijken nog steeds heet. Raak het nooit met de hand aan, plaats het op het warmte-isolerend kussen totdat het volledig is afgekoeld.

BEVEILIGING TEGEN LAGE TEMPERATUUR

Om te vermijden dat er water uit de zoolplaat lekt wanneer er een te lage temperatuur is ingesteld, is het product voorzien van een beveiliging tegen lage temperatuur. De pomp zal niet werken wanneer op de stoomknop wordt gedrukt terwijl de temperatuur onder de instelling “●●●” is ingesteld.

GEÏNTEGREERD ANTI-KALKSYSTEEM

Het geïntegreerd anti-kalkpatroon is ontworpen om kalkaanslag, die tijdens het stoomstrijken optreedt, te beperken. Dit verlengt de levensduur van uw strijkijzer. Het anti-kalkpatroon zal het natuurlijk proces van kalkaanslag echter niet volledig stoppen.

REINIGEN

- Voordat u het apparaat kunt reinigen wees er zeker van dat de stekker uit het stopcontact is, en het volledig afgekoeld is.
- Kalkresten op de strijkzool kunnen met een doek gedrenkt in een azijn/water mengsel verwijderd worden.
- De behuizing en het basisstation kunnen worden gereinigd met een vochtige doek en vervolgens worden schoongeveegd met een droge doek.
- Gebruik geen schuurmiddelen op de strijkzool.
- Houd de strijkzool glad. Voorkom contact met metalen objecten.

STRIJKTIPS

- Het stoomstrijkijzer warmt sneller op dan dat het afkoelt. Strijk dus eerst de kledingstukken die een lagere temperatuur vereisen, zoals deze gemaakt van synthetische vezels.
- Als de stof uit verschillende soorten vezels bestaat, moet u altijd de laagste strijkt temperatuur van de samenstelling van deze vezels selecteren.
- Stoffen van synthetische vezels en zijde moeten binnenstebuiten worden gestreken om glans te vermijden.
- Fluweel en andere snel glanzende texturen moeten met lichte druk in één richting worden gestreken. Fluweel en andere snel glanzende texturen moeten met lichte druk in één richting worden gestreken.
- Stoffen van zuiver wol (100% wol) kunnen met stoom worden gestreken. Gebruik een droge doek als mat en selecteer vervolgens de overeenkomstige strijkinstelling.
- Strijk nooit op ritssluitingen of klinknagels in de stof. Dit zal de zoolplaat beschadigen. Strijk rond dergelijke items.

OPMERKING: Tijdens het strijken van wollen kledingstukken, kan de stof glanzen. Het wordt aldus aanbevolen om het kledingstuk binnenstebuiten te draaien en de binnenkant te strijken.

Wat te doen bij problemen met uw strijkijzer?

Er komt bruine vloeistof uit de strijkzool die vlekken veroorzaakt op het strijkgoed.	U gebruikt chemische kalkoplossende middelen.	Voeg geen kalkoplossende middelen toe.
	Er zitten stofvezels in de gaatjes van de strijkzool die verbranden.	Laat het strijkijzer afkoelen en reinig de strijkzool met een niet schurende spons. Laat de strijkzool drogen en gebruik een stofzuiger om de stofvezels te verwijderen.
	Uw wasgoed is niet voldoende gespoeld of u gebruikt stijfjesel.	Controleer of het strijkgoed voldoende uitgespoeld is.
De strijkzool is vuil of bruin en veroorzaakt vlekken op het strijkgoed.	U gebruikt een te hoge temperatuur.	Laat het strijkijzer afkoelen en maak de strijkzool schoon. Stel de juiste temperatuur in.
De strijkzool vertoont krassen.	U hebt uw strijkijzer op een metalen strijkijzerplateau gezet of u hebt over ritssluitingen of knopen gestreken.	Zet het strijkijzer altijd op de achterkant. Zorg ervoor niet over ritssluitingen of knopen te strijken.

TECHNISCHE GEGEVENS

Bedrijfsspanning: 220-240V ~ 50-60Hz

Vermogen: 2200W

GARANTIE EN KLANTENSERVICE

Vóór de levering worden onze apparaten streng gecontroleerd. Indien het toestel ondanks alle zorg bij de productie of tijdens het transport beschadigd werd, moet u het naar de handelaar terugbrengen.

Wij geven een garantie van 2 jaar op het toestel, te beginnen met de koopdatum. Indien u een defect product heeft, kunt u rechtstreeks terug gaan naar het aankooppunt.

Gebreken die het gevolg zijn van ondeskundig gebruik van het toestel, fouten tijdens ingrepen en reparaties door derden of door de inbouw van vreemde onderdelen, vallen niet onder deze garantie. Bewaar altijd uw aankoopnota, zonder aankoopnota kunt u geen aanspraak maken op enige vorm van garantie. Bij schade veroorzaakt door het niet opvolgen van de gebruiksaanwijzing vervalt het recht op garantie. Voor vervolgschade die hieruit ontstaat kunnen wij niet verantwoordelijk gehouden worden. Voor materiële schade of persoonlijk

letsel veroorzaakt door ondeskundig gebruik of het niet opvolgen van de veiligheidsvoorschriften zijn wij niet aansprakelijk. In dergelijke gevallen vervalt iedere aanspraak op garantie. Schade aan accessoires of onderdelen betekend niet dat het gehele apparaat zal worden vervangen. Afgebroken glazen of kunststof onderdelen of accessoires vallen niet onder de garantie en zullen tegen vergoeding vervangen kunnen worden. Defecten aan hulpstukken of aan slijtage onderhevige onderdelen, alsmede reiniging, onderhoud of de vervanging van slijtende delen vallen niet onder de garantie en zullen dus in rekening gebracht worden.



Het symbool van de doorgekruiste vuilniscontainer betekent dat dit product niet met het gewone huisvuil mag worden weggegooid. Elektronische en elektrische apparatuur die niet is opgenomen in het selectieve afvalsorteringsproces is potentieel gevaarlijk voor het milieu en de menselijke gezondheid vanwege de aanwezigheid van gevaarlijke stoffen. Voer deze op verantwoorde wijze af bij een erkend afvalverwerkings- of recyclingbedrijf.

Emerio B.V.
Oudeweg 115
2031 CC Haarlem
The Netherlands

Customer service:
T: +31 (0) 23 3034369
www.emerio.eu/service

Kundeninformation:
T: +49 (0) 3222 1097 600
www.emerio.eu/service

Klantenservice:
T: +31 (0) 23 3034369
www.emerio.eu/service

Looking for spare parts? Have a look at <https://spareparts.emerio.eu>
Sie brauchen Ersatzteile? Besuchen Sie <https://ersatzteile.emerio.eu>
Onderdelen nodig? Kijk op <https://onderdelen.emerio.eu>



KLANTENSERVICE



RESERVEONDERDELEN

Instrukcja obsługi – Polish

INSTRUKCJE DOTYCZĄCE BEZPIECZEŃSTWA

Aby nie dopuścić do urazów lub uszkodzeń oraz aby maksymalnie wykorzystać możliwości urządzenia, przed rozpoczęciem jego użytkowania należy przeczytać wszystkie poniższe zalecenia. Niniejszą instrukcję należy przechowywać w bezpiecznym miejscu. W przypadku przekazania lub odstąpienia komuś tego urządzenia, do urządzenia należy dołączyć również tę instrukcję.

W przypadku uszkodzenia spowodowanego nieprzestrzeganiem przez użytkownika zaleceń podanych w niniejszej instrukcji gwarancja nie ma zastosowania. Producent/importer nie ponosi odpowiedzialności za szkody spowodowane nieprzestrzeganiem podanych w instrukcji zaleceń, zaniedbaniami oraz użytkowaniem w sposób niezgodny z wymaganiami opisanymi w instrukcji.

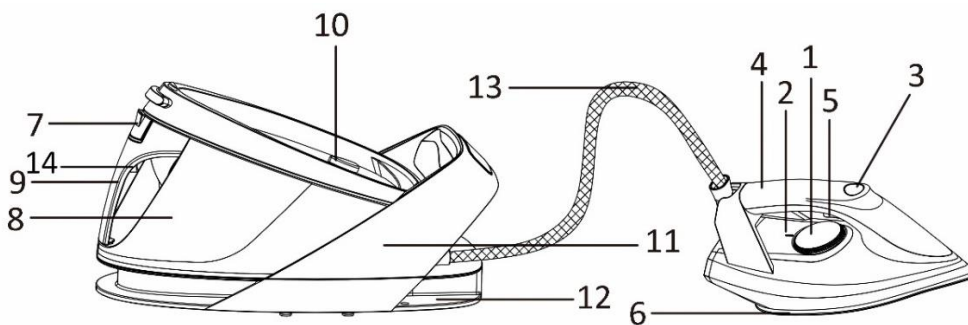
1. Pod warunkiem zapewnienia odpowiedniego nadzoru, pouczenia na temat bezpiecznej obsługi i dopilnowania zrozumienia zagrożeń, urządzenie może być używane przez dzieci w wieku od lat 8, osoby o ograniczeniach fizycznych, czuciowych lub psychicznych, a także osoby, którym brak jest doświadczenia lub wiedzy.
2. Dzieci nie powinny bawić się urządzeniem.
3. Dzieci nie mogą bez nadzoru wykonywać czynności związanych z czyszczeniem i konserwacją.
4. Jeżeli kabel zasilający zostanie uszkodzony, aby uniknąć niebezpiecznych sytuacji, należy go wymienić. Wymiany powinien dokonać producent, przedstawiciel jego serwisu lub inne osoby o podobnych kwalifikacjach.
5. Żelazka podłączonego do zasilania nie wolno zostawiać bez nadzoru.
6. W czasie, gdy żelazko nagrzewa się lub stygnie, żelazko i jego przewód nie mogą być dostępne dla dzieci w wieku do 8 lat.
7. Żelazko musi być używane i odkładane na płaskiej i stabilnej powierzchni.
8. Przy odkładaniu żelazka na podstawkę, należy pilnować, aby powierzchnia, na której stoi podstawka, była stabilna.
9. W czasie użytkowania otwór do napełniania nie może być otwarty.
10. Nie należy używać żelazka, które zostało upuszczone lub przecieka lub gdy występują widoczne oznaki jego uszkodzenia.
11. Przed włożeniem wtyczki do kontaktu, należy sprawdzić, czy napięcie i częstotliwość są zgodne ze specyfikacją podaną na tabliczce znamionowej.
12. Jeżeli jest używany przedłużacz, musi on być dostosowany do mocy pobieranej przez urządzenie. W przeciwnym wypadku może dojść do przegrzania się przedłużacza i/lub wtyczki. Istnieje potencjalne ryzyko urazów na skutek potknięcia się o przewód zasilający. Zachowaj ostrożność, by uniknąć niebezpiecznych sytuacji.
13. Przed czyszczeniem i na czas, gdy urządzenie nie jest używane, należy wyjąć wtyczkę z kontaktu.
14. Należy dopilnować, aby kabel zasilający nie zwisał z ostrych krawędzi. Należy go trzymać z dala od gorących przedmiotów i otwartych płomieni.
15. Urządzenia i wtyczki kabla zasilającego nie wolno zanurzać w wodzie lub innych płynach. Ryzyko utraty życia wskutek porażenia prądem!
16. W celu wyjęcia wtyczki z kontaktu należy ciągnąć za wtyczkę. Nie należy ciągnąć za kabel zasilający.
17. Jeśli urządzenie wpadnie do wody, nie wolno go dotykać. Należy wyjąć wtyczkę z kontaktu, wyłączyć urządzenie i wysłać je do autoryzowanego punktu serwisowego w celu dokonania naprawy.
18. Nie należy mokrą ręką wkładać wtyczki urządzenia do kontaktu lub wyjmować jej z niego.
19. Nigdy nie należy próbować otwierać obudowy urządzenia lub samodzielnie urządzenie naprawić. Mogłoby to doprowadzić do porażeniem prądem.

20. W czasie użytkowania nie należy nigdy zostawiać urządzenia bez nadzoru.
21. Urządzenie nie zostało zaprojektowane do użytku komercyjnego. Tylko do użytku domowego.
22. Urządzenia nie należy używać do celów, do których nie jest ono przeznaczone.
23. Przed włożeniem wtyczki przewodu zasilającego do kontaktu lub wyjęciem jej z niego, żelazko powinno być zawsze wyłączone.
24. Nigdy nie należy używać urządzenia, jeśli jest ono w jakikolwiek sposób uszkodzone.
25. Gdy użytkownik odchodzi od urządzenia, nawet tylko na chwilę, wtyczkę przewodu zasilającego żelazka należy zawsze wyjąć z kontaktu.
26. Dotknięcie gorących części metalowych, gorącej wody lub pary może doprowadzić do oparzeń.
27. Należy dbać o to, aby stopa żelazka była gładka. Należy unikać kontaktu z przedmiotami metalowymi.
28. Gdy stopa jest gorąca, przewód zasilający nie może jej dotykać.
29. Należy pilnować, aby woda nie przelewała się ze zbiornika. Nie wolno przekraczać poziomu maksymalnego.
30. Podczas pierwszego użycia, żelazkiem należy wyprasować kawałek starego materiału w celu sprawdzenia, czy stopa żelazka i woda ze zbiornika na wodę są całkowicie czyste.
31. Żelazka należy używać na stabilnej desce do prasowania.
32. W urządzeniu należy bezwzględnie używać tylko czystej wody lub wody destylowanej, nie należy natomiast używać wody kranowej lub innych płynów.
33. Aby nie spowodować oparzeń, nie wolno kierować pary w stronę ludzi lub zwierząt.
34. Należy używać dostarczonej podstawki. Aby nie dopuścić do niebezpiecznych sytuacji, podstawki nie należy w sposób dowolny wymieniać.



35. Uwaga, gorąca powierzchnia.
OSTRZEŻENIE!! Nie dotykać powierzchni podczas użytkowania. W czasie pracy urządzenia temperatura dostępnych powierzchni może być wysoka.
36. Instrukcje dotyczące czyszczenia i konserwacji podano w akapitach poniżej.

WYRÓŻNIENIE CZĘŚCI



1. Pokrętko regulacji temperatury
2. Kreska wskazująca temperaturę
3. Kontrolka
4. Rękojeść żelazka
5. Przycisk pary i blokada przycisku pary
6. Ceramiczna stopa żelazka
7. Pokrywa wlewu wody
8. Zbiornik na wodę
9. Uchwyt zbiornika na wodę

10. Izolowany stojak
11. Podstawka urządzenia
12. Rowek do zwijania sznura
13. Wąż doprowadzania pary
14. Przycisk odłączenia zbiornika na wodę

PRZED PIERWSZYM UŻYCIEM

Wyjmij opakowanie. Upewnij się, że urządzenie jest odłączone z sieci i że regulator temperatury jest ustawiony w pozycji „OFF” (Wył.).

Do zbiornika na wodę należy nalać wody do poziomu maksymalnego zaznaczonego na zbiorniku. W urządzeniu należy bezwzględnie używać tylko czystej wody lub wody destylowanej, nie należy używać wody kranowej lub innych płynów.

Nalewanie wody:

Należy chwycić za uchwyt zbiornika na wodę i nacisnąć przycisk odblokowujący, aby wysunąć zbiornik na wodę z podstawki urządzenia. Następnie otworzyć pokrywę wlewu wody i wlać do środka czystej wody.

Włożyć wtyczkę do kontaktu i nastawić pokrętko regulacji temperatury na najwyższe ustawienie temperatury. Gdy zgaśnie kontrolka, nacisnąć i przytrzymać przycisk pary w celu rozpoczęcia prasowania z użyciem pary. Najpierw jednak należy wyprasować kawek starego materiału, aby usunąć ewentualne osady ze stopy żelazka.

(Patrz ustęp „Prasowanie z użyciem pary”)

Uwaga:

- 1) Przy pierwszym użyciu może wystąpić nieprzyjemny zapach i dym. Jest to nieszkodliwe i krótkotrwałe. Upewnij się, że w pomieszczeniu istnieje odpowiednia wentylacja.
- 2) Przy włączaniu funkcji pary może być słychać odgłosy pompowania. Jest to normalne; odgłosy te świadczą o pompowaniu wody do urządzenia.
- 3) Funkcja ciągłego uzupełniania: Podczas pracy, jeśli w zbiorniku na wodę skończy się woda, można go wyjąć i napełnić.

OBSŁUGA

Przed wyborem temperatury, przeczytaj instrukcję obsługi żelazka lub zalecenia dotyczące prasowania na metce ubrania.

Uwaga: Jeżeli na ubraniu nie ma wskazówek dotyczących prasowania, powinieneś zacząć od prasowania na najniższej temperaturze.

OFF	Wyłączone
●	Syntetyk
●●	Jedwab, wełna
●●● MAX	Len, Bawełna, najwyższa temperatura

SUCHE PRASOWANIE

1. Postawić żelazko na izolowanym stojaku na podstawce urządzenia. Dopilnować, aby przycisk pary nie był zablokowany.
2. Podłączyć żelazko do odpowiedniego gniazdka.
3. Wybierz ustawienie na regulatorze temperatury.
4. Zgaśnięcie kontrolki (po około 1 minucie), oznacza osiągnięcie wymaganej temperatury. Żelazko jest gotowe do użycia.
5. Aby wyłączyć żelazko, przekręcić pokrętko regulacji temperatury w lewo (przeciwnie do kierunku ruchu wskazówek zegara) w pozycję „OFF” („WYŁĄCZONE”). Odstawić żelazko z powrotem na podstawkę urządzenia i wyjąć wtyczkę przewodu zasilającego z kontaktu.

Ostrzeżenie: Przed ostygnięciem nigdy nie wolno dotykać gorącej stopy żelazka!

PRASOWANIE Z UŻYCIEM PARY

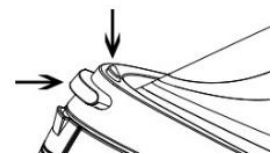
1. Postawić podstawkę urządzenia na stabilnej i płaskiej powierzchni.
2. Do zbiornika na wodę nalać wody przez wlew. (Patrz ustęp „**Nalewanie wody**” w części „**PRZED PIERWSZYM UŻYCIEM**”). Pojemność maks. zbiornika na wodę wynosi 1,5 l; poziom wody nie może przekraczać oznaczenia „MAX” na zbiorniku.
3. Postawić żelazko na izolowanym stojaku na podstawce urządzenia. Dopilnować, aby przycisk pary nie był zablokowany.
4. Włożyć wtyczkę przewodu zasilającego urządzenia do kontaktu. Przekręcić pokrętkę regulacji temperatury, aby wybrać żądane ustawienie temperatury (funkcję pary można włączać tylko na ustawieniu „●●●MAX”). Żelazko zacznie się nagrzewać i zapali się kontrolka temperatury.
5. Gdy zgaśnie kontrolka, oznacza to osiągnięcie wymaganej temperatury. Żelazko jest gotowe do użycia.
6. Aby prasować z użyciem pary, należy nacisnąć i przytrzymać przycisk pary; podczas prasowania para zacznie wydobywać się z otworów w stopie żelazka. Maks. wyrzut pary wynosi 200 g.
Aby para wydobywała się z żelazka w sposób ciągły, należy wcisnąć i zablokować w pozycji wciśniętej przycisk pary.
7. Funkcja pary w pionie: funkcję pary można stosować także gdy żelazko jest trzymane w pozycji pionowej, co jest przydatne do usuwania zagnieć z wiszących ubrań, zasłon itp.
8. Aby wyłączyć żelazko, przekręcić pokrętkę regulacji temperatury w lewo (przeciwnie do kierunku ruchu wskazówek zegara) w pozycję „OFF” („WYŁĄCZONE”). Odstawić żelazko z powrotem na podstawkę urządzenia i wyjąć wtyczkę przewodu zasilającego z kontaktu.

Rowek do zwijania sznura

Gdy urządzenie nie jest używane, wąż doprowadzania pary można owinąć wokół rowka do zwijania sznura.

Mechanizm blokady żelazka

Gdy urządzenie nie jest używane lub gdy użytkownik chce przestawić urządzenie, żelazko można zablokować na podstawce: w tym celu należy nacisnąć przycisk blokady. Aby odblokować, wystarczy nacisnąć przycisk odblokowujący.



Środki ostrożności:

- 1) Przed ostygnięciem nie wolno dotykać gorącej stopy żelazka!
- 2) Nigdy nie wolno kierować strumienia pary w stronę ludzi!
- 3) Aby nie dopuścić do oparzenia parą, nie należy wciskać przycisku pary, gdy żelazko jest ustawione na podstawce.
- 4) Po prasowaniu stopa żelazka jest nadal gorąca. Nigdy nie należy dotykać jej ręką. Do czasu całkowitego ostygnięcia żelazko należy ustawić na izolowanym stojaku.

FUNKCJA ZABEZPIECZENIA PRZED NISKĄ TEMPERATURĄ

Aby ze stopy żelazka nie kapała woda, jeżeli zostanie nastawiona zbyt niska temperatura, w urządzeniu zadziała funkcja zabezpieczenia przed niską temperaturą. Jeśli temperatura będzie ustawiona na wartość niższą niż ustawienie „●●●”, po wciśnięciu przycisku pary nie włączy się pompa.

WBUDOWANY SYSTEM ZAPOBIEGANIA POWSTAWANIU KAMIENIA

Wbudowany wkład zapobiegający osadzaniu się kamienia ma na celu ograniczyć powstawanie kamienia kotłowego w czasie prasowania z użyciem pary. Dzięki temu żelazko będzie dłużej sprawne. Jednakże, wkład zapobiegający osadzaniu się kamienia nie jest w stanie całkowicie wyeliminować naturalnego procesu jakim jest powstawanie kamienia.

CZYSZCZENIA I PIELĘGNACJI

- Przed czyszczeniem żelazka upewnij się, że jest ono odłączone od źródła zasilania i całkowicie ostygło.

- Pozostałości na stopie żelazka mogą być wyczyszczone przy pomocy szorstkiej ściereki nasączonej roztworem octu i wody.
- Obudowę i podstawkę urządzenia można przecierać wilgotną ściereczką, a następnie polerować do sucha.
- Nie używaj środków żrących na stopie żelazka.
- Zachowaj płaszczyznę prasującą gładką. Unikaj twardego kontaktu z metalowymi przedmiotami.

WSKAZÓWKI DOTYCZĄCE PRASOWANIA

- Żelazko szybciej nagrzewa się niż stygnie. Dlatego też należy rozpoczynać prasowanie od materiałów wymagających niższej temperatury, takich jak np. włókna syntetyczne.
- Jeżeli materiał jest wykonany z mieszaniny dwóch włókien, należy zawsze wybierać najniższą spośród temperatur przypisanych poszczególnym składnikom.
- Włókna syntetyczne i jedwab należy prasować po stronie wewnętrznej, aby się nie nabłyszczały.
- Aksamit i inne materiały, które szybko nabierają połysku należy prasować tylko w jedną stronę lekko je dociskając. Żelazko należy przez cały czas przesuwac.
- Ubrania wykonane z czystej wełny (wełna 100%) można prasować z użyciem pary. Jako podkładki należy używać suchej tkaniny, należy wybrać ustawienie na temperaturę dostosowaną do prasowanego materiału.
- Nigdy nie wolno prasować po zamkach błyskawicznych lub nitach wszytych w materiał. Doprowadziłoby to do uszkodzenia stopy żelazka. Należy prasować dookoła tego typu elementów.

UWAGA: Podczas prasowania tkanin wełnianych może dojść do nabłyszczenia materiału. Dlatego też zaleca się, aby prasować tego typu materiały z lewej strony.

Jeżeli pojawi się problem?

Brązowe wycieki wydostają się z otworów w stopie żelazka i brudzą materiał.	Używasz chemicznych środków odkamieniających.	Nie dodawaj żadnych środków odkamieniających do wody.
	Włókna materiału zbierają się w otworach stopy żelazka i palą się.	Pozwól, aby żelazko ostygło i wyczyść stopę przy pomocy gąbki. Odkurzaj otwory stopy żelazka od czasu do czasu.
	Twój materiał nie został wystarczająco wyflukane lub wyprasowałeś nowe ubranie bez wcześniejszego prania.	Upewnij się, że twoje pranie jest wystarczająco wyflukane i nie ma żadnych pozostałości mydła lub chemicznych produktów na nowych ubraniach.
Stopa żelazka jest brudna lub brązowa i może zabrudzić materiał.	Prasujesz przy zbyt wysokiej temperaturze.	Pozwól, aby żelazko ostygło i wyczyść stopę przy pomocy gąbki. Wybierz odpowiedni program.
Stopa żelazka jest zarysowana.	Umieścisz żelazko na płasko na metalowej podstawie lub przeprasowałeś zamek błyskawiczny.	Zawsze stawiaj żelazko na pięcie. Nie prasuj zamków błyskawicznych.

DANE TECHNICZNE

Napięcie robocze: 220-240V ~ 50-60Hz

Moc: 2200W

GWARANCJA I SERWIS KONSUMENCKI

Przed dostarczeniem do klienta nasze urządzenia poddawane są rygorystycznej kontroli jakości. Jeśli, pomimo wszelkich starań, podczas produkcji lub transportu pojawi się uszkodzenie, należy zwrócić urządzenie do

sprzedawcy.

Dla każdego zakupionego urządzenia zapewniamy 2 lata gwarancji, poczynając od dnia zakupu. Uszkodzony produkt można zwrócić bezpośrednio w punkcie zakupu.

Niniejsza gwarancja nie obejmuje uszkodzeń spowodowanych niewłaściwą obsługą urządzenia, usterek w wyniku modyfikacji i napraw wykonanych przez strony trzecie lub w wyniku użycia nieoryginalnych części. Należy zachować dowód zakupu, który jest jedyną podstawą złożenia roszczenia gwarancyjnego. Producent nie ponosi odpowiedzialności za uszkodzenia powstałe w wyniku nieprzestrzegania instrukcji obsługi. Powoduje to unieważnienie gwarancji. Producent nie ponosi odpowiedzialności za szkody materiałowe ani obrażenia ciała spowodowane niewłaściwą obsługą urządzenia i nieprzestrzeganiem instrukcji obsługi. Uszkodzenie akcesoriów nie oznacza bezpłatnej wymiany całego urządzenia. W takim wypadku prosimy o kontakt z naszym serwisem. Stłuczone elementy szklane lub pęknięte elementy plastikowe są wymieniane za opłatą. Uszkodzenia materiałów eksploatacyjnych lub części podlegających zużyciu, a także czyszczenie, konserwacja i wymiana wspomnianych części nie jest objęta gwarancją i podlega opłacie.



Symbol przekreślonego kołowego kontenera na odpady oznacza, że tego produktu nie można wyrzucać wraz z innymi odpadami gospodarstwa domowego. Ze względu na obecność niebezpiecznych substancji, mieszanin lub części składowych urządzenia elektryczne i elektroniczne, niepodlegające procesowi selektywnego sortowania są potencjalnie niebezpieczne dla środowiska i zdrowia ludzi. Produkt należy zutylizować w sposób odpowiedzialny w zatwierdzonym zakładzie utylizacji odpadów lub recyklingu.

Emerio B.V.
Oudeweg 115
2031 CC Haarlem
The Netherlands

Customer service:
T: +31 (0) 23 3034369
www.emerio.eu/service

Kundeninformation:
T: +49 (0) 3222 1097 600
www.emerio.eu/service

Klantenservice:
T: +31 (0) 23 3034369
www.emerio.eu/service

Looking for spare parts? Have a look at <https://spareparts.emerio.eu>

Sie brauchen Ersatzteile? Besuchen Sie <https://ersatzteile.emerio.eu>

Onderdelen nodig? Kijk op <https://onderdelen.emerio.eu>



OBSŁUGA KLIENTA



CZĘŚCI ZAMIENNE

Manual de Instrucciones – Spanish

INSTRUCCIONES DE SEGURIDAD

Antes de utilizar el producto, lea todas las instrucciones que se presentan a continuación para evitar lesiones personales y daños materiales y para obtener unos resultados óptimos del aparato. Asegúrese de mantener este manual en un lugar seguro. Si transfiere el aparato a otra persona, asegúrese de entregarle asimismo el presente manual.

La garantía quedará anulada en caso de daños causados por el incumplimiento por parte del usuario de las instrucciones incluidas en este manual. El fabricante/importador no aceptará ningún tipo de responsabilidad por daños causados por el incumplimiento de las presentes instrucciones o uso negligente o en desacuerdo con los requisitos de este manual.

1. Este aparato podrá ser utilizado por niños mayores de 8 años y personas con capacidades físicas, sensoriales o mentales reducidas, o sin la experiencia y los conocimientos necesarios, si están supervisados o han recibido instrucciones con relación al uso del aparato de forma segura y comprenden los riesgos que ello implica.
2. No deberá permitirse que los niños jueguen con el aparato.
3. Las operaciones de limpieza y mantenimiento por parte del usuario no podrán ser realizadas por niños, a menos que estén supervisados.
4. Si el cable de alimentación estuviera dañado, deberá ser sustituido ya sea por el fabricante, su servicio de asistencia técnica o por una persona cualificada. De esta manera, se evitarán riesgos innecesarios.
5. No deberá dejarse desatendida la plancha mientras esté conectada a la corriente eléctrica.
6. Mantenga la plancha y su cable fuera del alcance de niños menores de 8 años de edad mientras esté enchufada o se esté enfriando.
7. La plancha debe utilizarse y apoyarse sobre una superficie plana y estable.
8. Cuando coloque la plancha sobre su soporte, asegúrese de que la superficie sobre la que está colocado el soporte es estable.
9. La abertura de llenado no deberá abrirse durante el uso.
10. No utilice la plancha si hubiera caído al suelo, si existieran signos visibles de daños o si goteara.
11. Antes de conectar el enchufe a la toma de corriente, compruebe que el voltaje y la frecuencia coinciden con las especificaciones de la etiqueta de características del producto.
12. Si se utilizara un cable alargador, éste deberá ser adecuado para el consumo del aparato; de otro modo, se podría producir un sobrecalentamiento del cable alargador y/o del enchufe.
13. Desconecte el enchufe de la toma de corriente cuando el aparato no se encuentre en uso y antes de cualquier operación de limpieza.
14. Asegúrese de que el cable no cuelgue sobre aristas vivas y manténgalo alejado de objetos calientes y llamas abiertas.
15. No sumerja el aparato ni el enchufe en agua u otros líquidos. ¡Peligro de muerte por electrocución!
16. Para retirar el enchufe de la toma de corriente, tire del enchufe. No tire del cable de alimentación.
17. No toque el aparato si se cayera al agua. En dicho caso, retire el enchufe de la toma de corriente, apague el aparato y llévelo a un servicio técnico autorizado para su reparación.
18. No enchufe ni desenchufe el aparato de la toma de corriente con las manos mojadas.
19. No intente nunca abrir la carcasa del aparato ni reparar el aparato por su cuenta. Esto podría causar una descarga eléctrica.
20. No deje nunca el aparato en funcionamiento sin vigilancia.
21. Este aparato no está diseñado para uso comercial. Solo para uso en interiores.
22. No utilice al aparato para un uso distinto del previsto.
23. La plancha deberá estar apagada antes de enchufarla o desenchufarla de la toma de corriente.
24. No utilice nunca el aparato si estuviera dañado de algún modo.

25. Si tiene que salir, aunque solamente sea durante unos instantes, desenchufe siempre la plancha.
26. Si se tocan las piezas metálicas calientes, el agua caliente o el vapor, podrían producirse quemaduras.
27. Mantenga la suela lisa. Evite el contacto con objetos metálicos.
28. No permita que el cable toque la suela cuando ésta esté caliente.
29. Evite el desbordamiento de agua. No rellene por encima del nivel máximo.
30. Cuando utilice la plancha por vez primera, pásela sobre una pieza de tejido vieja para asegurarse de que la suela y el depósito de agua están completamente limpios.
31. La plancha se deberá utilizar sobre una tabla de planchar estable.
32. El aparato debe utilizar agua pura o agua de vapor, no agua del grifo ni otros líquidos.
33. No dirija el vapor hacia personas o animales para evitar quemaduras.
34. Utilice la base suministrada. La base no debe sustituirse arbitrariamente, para evitar peligros.

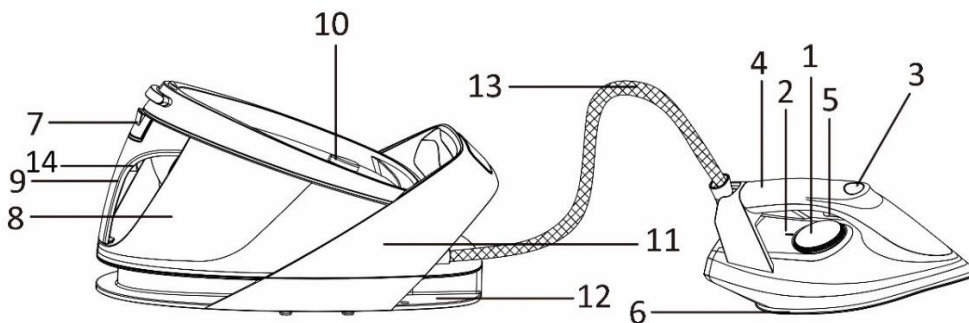


35. Precaución, agua caliente.

ADVERTENCIA: No toque la superficie durante el uso. La temperatura de las superficies accesibles podría ser alta durante el funcionamiento del aparato.

36. Respecto a las instrucciones de limpieza y mantenimiento, consulte los siguientes apartados.

IDENTIFICACIÓN DE PARTES



1. Regulador de temperatura
2. Línea de indicación de temperatura
3. Luz indicadora
4. Mango de la plancha
5. Botón de vapor y bloqueo del botón de vapor
6. Suela de cerámica
7. Tapa de la entrada de agua
8. Depósito de agua
9. Asa del depósito de agua
10. Soporte de aislamiento térmico
11. Unidad base
12. Ranura para enrollar el cable
13. Manguera de suministro de vapor
14. Botón de separación del depósito de agua

ANTES DEL USO INICIAL

Quite todo el material de embalaje. Asegúrese de que el aparato está desenchufado y de que el regulador de temperatura está en la posición «OFF» (apagado).

Llene el depósito de agua hasta el nivel máximo marcado en el depósito. El aparato debe utilizar agua pura o agua de vapor, no agua del grifo ni otros líquidos.

Cómo llenar el agua:

Sujete el asa del depósito de agua y pulse el botón de separación para extraer el depósito de agua de la base de la unidad. A continuación, abra la tapa de la entrada de agua para introducir el agua adecuada.

Inserte el enchufe en una toma de corriente adecuada y ajuste el regulador de temperatura al ajuste de temperatura más alto. Después de que se apague la luz indicadora, mantenga pulsado el botón de vapor para planchar con vapor y planche sobre un trozo de tela vieja para eliminar posibles residuos. **(Consulte «Planchar con vapor»)**

Nota:

- 1) Cuando se utiliza por primera vez puede emitir un ligero olor o humo. Pero esto es inofensivo y de corta duración. Asegúrese de que haya una ventilación adecuada.
- 2) Al activar la función de vapor, el aparato puede producir un sonido de bombeo. Esto es normal; el sonido le indica que se está bombeando agua al aparato.
- 3) Función de rellenado continuo: Durante el funcionamiento, si el depósito de agua está vacío, puede sacarlo y rellenarlo.

MODO DE EMPLEO

Antes de seleccionar la temperatura, lea el manual de instrucciones de la plancha o los consejos de cuidado en la etiqueta de la ropa.

Nota: Si la prenda no lleva ningún consejo de cuidado, empiece a plancharla con la temperatura más baja.

OFF	Apagado
●	Sintético
●●	Seda, lana
●●● MAX	Lino, algodón, temperatura más alta

PLANCHADO EN SECO

1. Coloque la plancha sobre el soporte de aislamiento térmico de la base del aparato. Asegúrese de que el botón de vapor no está bloqueado.
2. Conecte la plancha a una toma de corriente adecuada.
3. Seleccione el ajuste en el regulador de temperatura.
4. Cuando la luz indicadora se apague (aproximadamente 1 minuto), se habrá alcanzado la temperatura deseada. La plancha está lista para su uso.
5. Para apagar la plancha, gire el regulador de temperatura en sentido antihorario hasta la posición «OFF». Vuelva a colocar la plancha en la base del aparato y desenchúfela.

Advertencia: No toque nunca la suela caliente antes de que se enfríe.

PLANCHAR CON VAPOR

1. Coloque la base de la unidad sobre una superficie estable y nivelada.
2. Llene el depósito de agua a través de la abertura de llenado. (Consulte «Cómo llenar el agua» en el apartado «**ANTES DEL USO INICIAL**»). La capacidad máxima del depósito de agua es de 1,5 l. El nivel de agua no debe superar la marca «MAX» del depósito.
3. Coloque la plancha sobre el soporte de aislamiento térmico de la base del aparato. Asegúrese de que el botón de vapor no está bloqueado.
4. Conecte el enchufe a la toma de corriente. Gire el regulador de temperatura para seleccionar el ajuste de temperatura que desee (el vapor solo puede activarse en el ajuste «●●●MAX»). La plancha empieza a calentarse y el indicador de temperatura se enciende.
5. Cuando la luz indicadora se apaga, se ha alcanzado la temperatura deseada. La plancha está lista para su uso.

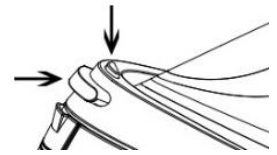
6. Mantenga pulsado el botón de vapor para planchar con vapor; el vapor empieza a salir de los orificios de la suela mientras plancha. La salida máxima de vapor es de 200 g.
Pulse el bloqueo del botón de vapor hacia abajo para bloquear el botón de vapor y obtener vapor continuo.
7. Función de vapor vertical: la función de vapor también se puede aplicar cuando se sujeta la plancha en posición vertical, lo que resulta útil para eliminar las arrugas de la ropa colgada, cortinas, etc.
8. Para apagar la plancha, gire el regulador de temperatura en sentido antihorario hasta la posición «OFF». Vuelva a colocar la plancha en la base del aparato y desenchúfela.

Ranura para enrollar el cable

Cuando no se utiliza, la manguera de suministro de vapor se puede enrollar a lo largo de la ranura de enrollado del cable para guardarla.

Dispositivo de bloqueo de la plancha

Cuando no esté en uso, o cuando desee mover el aparato, la plancha puede bloquearse en la base de la unidad pulsando el botón de bloqueo. Pulse el botón de desbloqueo para desbloquear.



Precauciones:

- 1) No toque la suela caliente en ningún momento antes de que se enfríe.
- 2) ¡Nunca dirija el vapor hacia las personas!
- 3) No active el botón de vapor cuando la plancha esté colocada sobre la base del aparato, para evitar quemarse con el vapor.
- 4) Después de planchar, la suela sigue caliente. No la toque nunca con la mano y colóquela sobre el soporte de aislamiento térmico hasta que se enfríe por completo.

FUNCIÓN DE PROTECCIÓN CONTRA BAJA TEMPERATURA

Para evitar fugas de agua de la suela si se ha seleccionado una temperatura demasiado baja, el producto está diseñado con una función de protección a baja temperatura. La bomba no funcionará mientras se pulsa el botón de vapor si la temperatura se establece por debajo del ajuste «●●●».

SISTEMA ANTICAL INCORPORADO

El cartucho antical incorporado está diseñado para reducir la acumulación de cal que se produce durante el planchado con vapor. Esto prolongará la vida útil de su plancha. Sin embargo, tenga en cuenta que el cartucho antical no detendrá por completo el proceso natural de acumulación de cal.

LIMPIEZA

- Antes de limpiar la plancha, asegúrese de que esté desconectada de la red eléctrica y de que se haya enfriado completamente.
- Los depósitos en la suela pueden eliminarse con un paño áspero impregnado con una solución de vinagre y agua.
- La pieza de fundición y la unidad de la base pueden limpiarse con un paño húmedo y después pulirse con uno seco.
- No utilice abrasivos en la suela.
- Mantenga la suela lisa. Evite el contacto fuerte con objetos metálicos.

CONSEJOS PARA PLANCHAR

- La plancha se calienta más rápido que se enfría. Por lo tanto, debe planchar en primer lugar los artículos que requieran una temperatura más baja, como los de fibra sintética.
- Si el tejido está compuesto por varios tipos de fibras, debe seleccionar siempre la temperatura de planchado más baja para planchar la composición de esas fibras.
- Los tejidos de fibra sintética y seda deben plancharse por su cara interna para evitar que queden brillantes.

- El terciopelo y otras texturas que adquieren brillo rápidamente deben plancharse en una sola dirección aplicando una ligera presión. Mantenga siempre la plancha en movimiento en todo momento.
- Los tejidos de pura lana (100% lana) pueden plancharse con el planchado a vapor. Utilice un paño seco como alfombrilla y, a continuación, seleccione el ajuste de tejido correspondiente para planchar.
- No planche nunca sobre cremalleras o remaches en la tela. Esto dañaría la suela. Planche alrededor de cualquier objeto de este tipo.

NOTA: Al planchar tejidos de lana, pueden producirse brillos en el tejido. Por ello, se aconseja dar la vuelta a la prenda y planchar el reverso.

¿Si surgen problemas?

Salen rayas marrones por los agujeros de la suela y manchan el lino.	Está utilizando productos químicos para descalcificar.	No añada productos de descalcificación al agua.
	Se han acumulado fibras de tela en los orificios de la suela y se están quemando.	Deje enfriar la plancha y limpie la suela con una esponja. Aspire de vez en cuando los orificios de la suela.
	La ropa no se ha aclarado lo suficiente, o ha planchado una prenda nueva antes de lavarla.	Asegúrese de que la colada se aclara lo suficiente para eliminar cualquier depósito de jabón o productos químicos en la ropa nueva.
La suela está sucia o marrón y puede manchar la ropa.	Está planchando con una temperatura demasiado alta.	Deje enfriar la plancha y limpie la suela con una esponja. Seleccione el programa adecuado.
La suela está rayada.	Ha colocado la plancha plana sobre una placa de apoyo metálica o ha planchado sobre una cremallera.	Coloque siempre la plancha sobre el talón. No planche sobre cremalleras.

DATOS TÉCNICOS

Voltaje de operaciones: 220-240V ~ 50-60Hz

Consumo de poder: 2200W

GARANTIA Y SERVICIO POSVENTA

Antes del suministro, nuestros aparatos se someten a un rigurosos control de calidad. Si a pesar de todos los cuidados surgieran desperfectos durante la producción o el transporte, le rogamos devuelva el aparato a su vendedor.

Para el aparato adquirido otorgamos 2 años de garantía partiendo de la fecha de venta. Si el producto está defectuoso, puede dirigirse directamente al lugar en el que lo compró.

Todos los defectos producidos por el uso indebido del aparato, y las averías debidas a intervenciones y reparaciones por parte de terceros, o el montaje de piezas de repuestos no originales, no están cubiertos por esta garantía. Guarde siempre la factura, sin ella no podrá reclamar ningún tipo de garantía. Nos no será responsable de daños materiales o lesiones personales causadas de un mal uso del aparato o si las instrucciones de seguridad no han sido seguidas correctamente. Nos declina cualquier responsabilidad por daños derivados de no seguir las instrucciones de uso correctamente. Daños en el acceso teorías no significa libre de sustitución automática del aparato completo. En dichos, consulte el servicio al cliente. Los vidrios rotos o rotura de piezas de plástico están siempre sujetas a pago. Los defectos de los consumibles o piezas susceptibles a desgaste, así como la limpieza, mantenimiento o la sustitución de dichas piezas no están cubiertas por la garantía y por lo tanto, se deben pagar.



El símbolo del contenedor de basura tachado significa que este producto no debe eliminarse con los residuos domésticos normales. Los aparatos electrónicos y eléctricos no incluidos en el proceso de clasificación selectiva son potencialmente peligrosos para el medio ambiente y la salud humana debido a la presencia de sustancias peligrosas. Por favor, deséchelos de forma responsable en una instalación de residuos o de reciclaje autorizada.

Emerio B.V.
Oudeweg 115
2031 CC Haarlem
The Netherlands

Customer service:
T: +31 (0) 23 3034369
www.emerio.eu/service

Kundeninformation:
T: +49 (0) 3222 1097 600
www.emerio.eu/service

Klantenservice:
T: +31 (0) 23 3034369
www.emerio.eu/service

Looking for spare parts? Have a look at <https://spareparts.emerio.eu>
Sie brauchen Ersatzteile? Besuchen Sie <https://ersatzteile.emerio.eu>
Onderdelen nodig? Kijk op <https://onderdelen.emerio.eu>



**SERVICIO DE
ATENCIÓN AL CLIENTE**



PIEZAS DE RECAMBIO