

emerio®

SEW-122275



Sewing Machine (EN)

Nähmaschine (DE)

Machine à coudre (FR)

Symaskin (SE)

Naaimachine (NL)

Maszyna do szycia (PL)

Швейная машинка (RU)

EAC CE

Content – Inhalt – Teneur – Innehåll – Inhoud – Treść – Содержание

Instruction manual – English	- 2 -
Bedienungsanleitung – German	- 11 -
Mode d’emploi – French	- 22 -
Bruksanvisning – Swedish	- 33 -
Gebruiksaanwijzing – Dutch	- 42 -
Instrukcja obsługi – Polish	- 53 -
Инструкция по эксплуатации – Russian	- 62 -

SAFETY INSTRUCTIONS

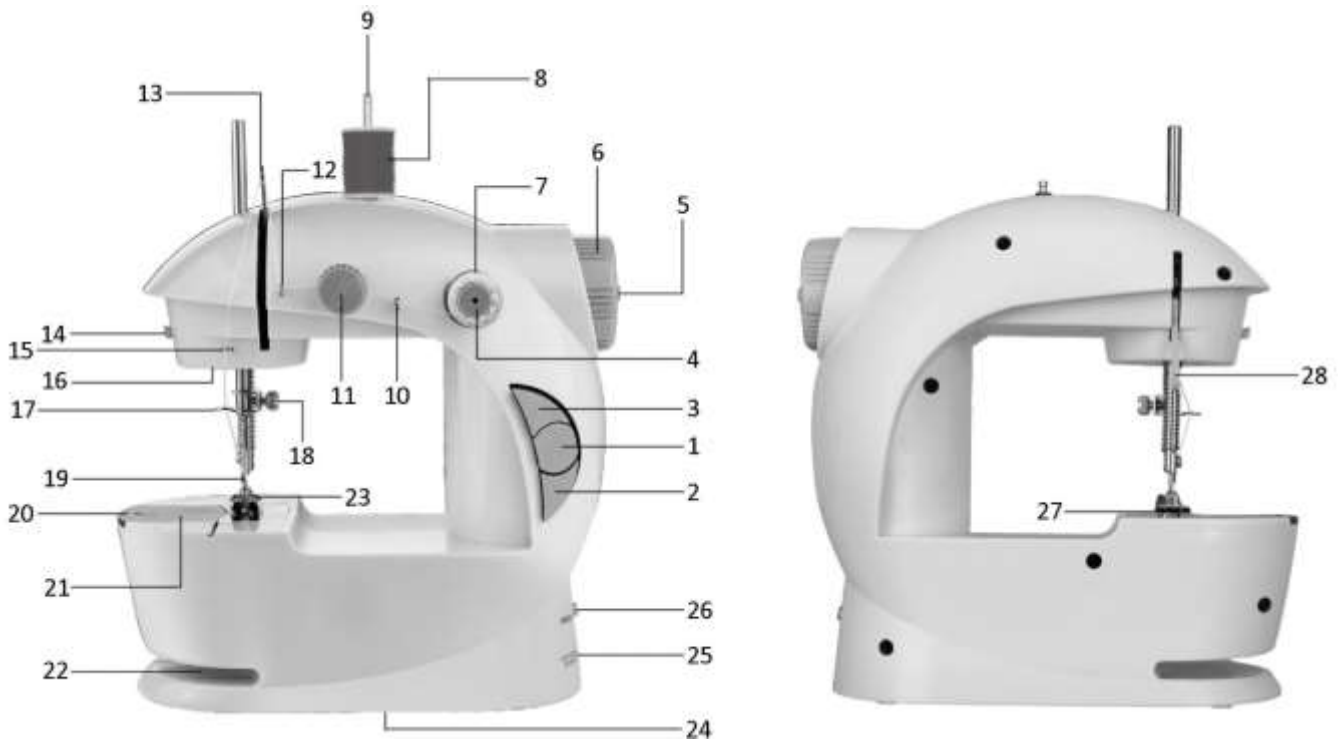
Before use make sure to read all of the below instructions in order to avoid injury or damage, and to get the best results from the appliance. Make sure to keep this manual in a safe place. If you give or transfer this appliance to someone else make sure to also include this manual.

In case of damage caused by user failing to follow the instructions in this manual the warranty will be void. The manufacturer/importer accepts no liability for damages caused by failure to follow the manual, a negligent use or use not in accordance with the requirements of this manual.

1. This appliance can be used by children aged from 8 years and above and persons with reduced physical, sensory or mental capabilities or lack of experience and knowledge if they have been given supervision or instruction concerning use of the appliance in a safe way and understand the hazards involved.
2. Children shall not play with the appliance.
3. Cleaning and user maintenance shall not be made by children without supervision.
4. **The appliance is only to be used with the power supply unit provided with the appliance.**
5. Always switch off the appliance, disconnect from the power supply and remove foot pedal when:
changing the needle;
threading the needle;
changing bottom bobbin;
changing any parts;
inserting or removing batteries;
cleaning the machine;
after each use.
6. Never run the machine when there's thread in the needle, but no fabric on the machine. This could damage the machine.

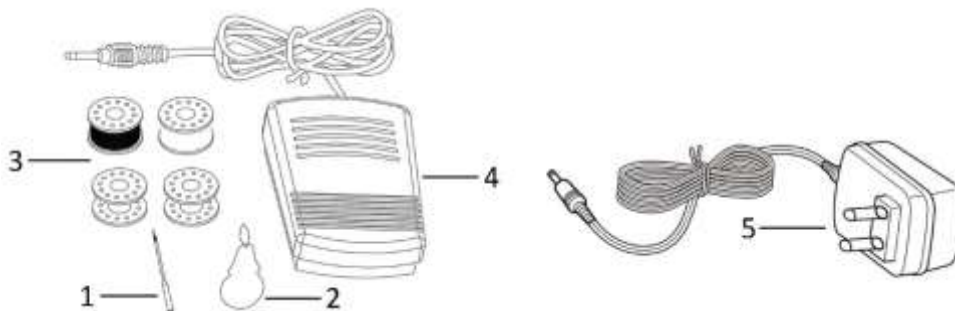
7. Never attempt to open the housing of the appliance, or to repair the appliance yourself. This could cause electric shock.
8. Unplug the appliance before carrying out maintenance.
9. This appliance is not designed for commercial use.
10. Do not use the appliance outdoors.
11. Do not use the appliance for other than intended use.
12. Never use the appliance if damaged in anyway.
13. Do not pull on fabric while sewing. Pulling could break the needle and result in damage to the appliance.
14. Remove batteries when the appliance is not in use for long periods. This saves battery life and protects the appliance. New and used batteries are not to be mixed.
15. Keep away from children. This appliance is not a toy and not meant to be used by or near children.
16. Do not submerge the unit or any other parts in water. Do not operate the appliance with wet hands, without shoes, or while standing in the water or on a wet surface when using the adapter.
17. Never use the appliance with a damaged power cord or plug.
18. Keep the power cord away from heated surface.
19. To remove the plug from the plug socket, pull the plug. Do not pull the power cord.
20. Use only the power adapter recommended by the manufacturer. Any other adapter may cause injury or damage to the appliance.
21. Switch off or unplug the appliance when leaving it unattended.
22. Make sure there is fabric under the needle when the appliance is working and the needle is moving. Otherwise the appliance will get stuck and the thread will be jammed.
23. If the appliance get stuck or jammed due to wrong operation, turn off the power on/off switch immediately.

PARTS DESCRIPTION



- | | | |
|---|-----------------------------|---|
| 1. Power on/off switch | 11. Tension adjusting screw | 22. Sleeves sewing slot |
| 2. Speed switch | 12. Thread guide ring | 23. Presser foot |
| 3. Light on/off switch | 13. Take-up lever | 24. Battery compartment (underneath) |
| 4. Bobbin spindle | 14. Thread cutter | 25. DC Jack for adapter |
| 5. Bobbin winder bar (can be pressed out) | 15. Thread guide ring | 26. Foot pedal jack |
| 6. Hand wheel | 16. Light | 27. Thread gap (gap between the presser foot and the sewing deck) |
| 7. Side bobbin | 17. Needle clamp | 28. Presser foot lever |
| 8. Thread spool (not included) | 18. Needle clamp screw | |
| 9. Thread spindle | 19. Needle | |
| 10. Thread guide ring | 20. Bobbin compartment cap | |
| | 21. Bottom bobbin (inside) | |

Accessories



1. Needle
2. Needle threader
3. Four metal bobbins
4. Foot pedal
5. Adapter

After removing the appliance from the packaging box:

1. Make sure the power on/off switch is in off position before inserting batteries.
2. Put 4 AA batteries into the battery compartment.
3. Press the power on/off switch to turn on the appliance. The unit will start sewing immediately. Be sure the appliance is properly threaded and the fabric is positioned for sewing before you turn on the unit.
4. Warning! When using the adapter, remove all batteries from the appliance.

THREADING THE APPLIANCE

This appliance works with two threads. One is the top thread. The thread is from the side bobbin or the thread spool. The other one is the bottom thread. The thread is from the bottom bobbin.

Top thread:



After removing the appliance from the packaging box, you'll find the appliance is threaded already (see the direction of 1-8 shown in the picture). You can directly use the side bobbin to start sewing. Alternatively, you can use the thread spool you purchase separately to start sewing:

Step 1: Raise the thread spindle by grasp the exposed top and pull upward until the thread spindle is fully extended out.

Step 2: Place a thread spool on the thread spindle.

Step 3: Pull out the thread from the thread spool and put it through the thread guide rings, tension adjusting screw, take-up lever, needle clamp and the needle, based on the direction of 2-8 shown in the picture.

Caution! When the thread goes over the needle it must be put through the hole from the left to right. Otherwise, the appliance will not work properly.

Note: When the thread goes over the tension adjusting screw, it must be positioned between the two washers behind the screw. This provides the tension to the thread.

Make sure the appliance is threaded correctly. (Step by step, do not forget any step or thread to wrong places.) Leave about 10cm of the thread hanging out.

Bottom thread (Bottom bobbin placement):

1. Remove the cap of the bobbin compartment.
2. Place the bobbin you selected into the bobbin compartment, with the thread going counterclockwise. Leave about 5cm of the thread hanging out. **(Fig.1)**
3. Hold the end of the top thread with one hand, and then turn the hand wheel with the other hand several circles. The top thread will pick up the bottom thread and pull it up through the hole under the needle.
4. Replace the cap of the bobbin compartment. Separate the two threads and then pull them together to the back of the appliance under through the thread gap, leaving about 10cm hanging there. **(Fig.2)**

Caution! Always turn the hand wheel 2 to 3 circles by hand to test it goes smoothly or not before start the appliance. Direction to turn the hand wheel should be the same as the arrows' direction on the hand wheel.



Fig.1



Fig.2

Important! Check and make sure the top and bottom threads go correctly. Test one piece of old fabric before beginning to sew. Improper threading will damage the lockstitch.

The appliance may have been pre-threaded from the factory. Look at this threading carefully before removing it to replace the thread or bobbin with different thread.

OPERATING THE APPLIANCE (without the foot pedal)

Caution! Always turn the hand wheel 2 to 3 circles by hand to test it goes smoothly or not before start the appliance. Direction to turn the hand wheel should be the same as the arrows' direction on the hand wheel.

1. Lift the needle above the presser foot by turning the hand wheel slightly.
2. Raise the presser foot by lifting up the presser foot lever.
3. Place the fabric to be sewn under the presser foot.
4. Lower the presser foot by releasing the presser foot lever downward.
5. Rotate the hand wheel 2 to 3 circles.
6. Press the speed switch to choose your desired speed. The button is pressed-in when selecting the low speed; the button is released-out when selecting the high speed. Use low speed for intricate work which requires a lot of stopping, starting and turning. Use high speed for long uninterrupted seams.
7. Now press the power on/off switch to on position with the button pressed in. Gently guide the fabric to keep the stitching straight by pressing lightly down with your fingertips on both sides as it feeds through the presser foot.
8. When the seam is finished, press the power on/off switch to off position with the button released out.
9. Raise the needle above the fabric by turning the hand wheel slightly.
10. Raise the presser foot by lifting the presser foot lever.
11. Turn the hand wheel back and forth, the thread will be released easily. Pull the fabric toward you leaving about 10cm of the threads between the fabric and the appliance. If the fabric is difficult to pull out, release the top thread a little bit by loosening the thread from the right side of the take-up lever manually. **(Fig.3&4)**
12. Cut the threads close to the fabric. Put the threads to the back of the appliance under through the thread gap, leaving about 10cm hanging there. Begin the next seam in the same manner as above by following these operating steps again.



Fig.3



Fig.4

To use the foot pedal

1. Make sure the appliance is in off position.
2. Plug the foot pedal into the appliance.
3. Turn on the appliance by pressing the foot pedal. Press gently on the foot pedal to run the unit.

Caution! The foot pedal and the power on/off switch cannot be used at the same time. When the foot pedal is being used, please press the power on/off switch to off position on the appliance. The foot pedal is used to control the power on/off. It is not the power source. Therefore, please do not forget to connect the adapter or insert batteries while using the foot pedal.

Adjusting the tension

1. The normal stitching shall have top and bottom threading evenly, neither over tight nor loose.
You shall not adjust the tension, as the tension for maximum performance has been set and adjusted from the factory. However, if you find that the stitches are too loose or too tight when sewing different fabrics, you can adjust the tension. (A= Top thread; B= Cloth; C= Bottom thread.)



2. If the bottom thread looks like a straight line, which indicates the top thread is too loose. Please turn the tension adjusting screw neither too tight nor too loose clockwise to increase the pressure until the stitching returns to normal.



3. However, when the top thread looks like a straight line indicating an over-tight top thread, slowly turn the tension adjusting screw counterclockwise to reduce the pressure until the stitching returns to normal.



Caution! When the thread goes over the tension adjusting screw it must be positioned between the two washers behind the screw. Otherwise, the appliance will not work properly.

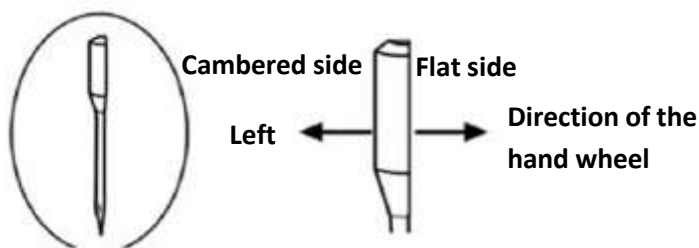
Changing the needle

If the needle breaks, or you need a different needle to sew a different kind of fabric, please replace the needle.

If you need replacement needles please use universal needles of type 90/14.

1. Remove the batteries / adapter to make sure the appliance is totally powered off.
2. Turn the hand wheel to raise the needle to its highest position.
3. Loosen the needle clamp screw by a short slotted screwdriver.
4. Remove the needle by pulling it down away from the needle clamp.
5. Place a new needle with the flat side facing against the needle clamp. Push it gently as up as it will go.
6. Tighten the needle clamp screw while holding the needle in place.

Caution! When the thread goes over the needle it must be put through the hole from the left to right. Otherwise, the appliance will not work properly.



Caution! When install the needle please turn the flat side of the needle to the right (direction of the hand wheel) and the cambered side to the left. Otherwise, the appliance will not work.

Winding the bobbin



The bobbin winder bar is used to wind your own bobbins from the thread spools you purchase separately. Normally, the bar is hidden in the hand wheel. When you need to wind a bobbin:

1. Press and hold on the bar.
2. Turn the bar counterclockwise; the bar will pop out.
3. Attach the empty bobbin onto the bar firmly and wind the thread on it clockwise for 4 to 5 circles.
4. Press the on/off switch to turn on the appliance. The thread will be wound automatically. Hold the thread lightly and guide it gently through your finger. See reference picture as above. Do not wind the thread over the rim of the bobbin.
5. Press the on/off switch to turn off the appliance when finished. Cut the thread and take off the bobbin.
6. Press the bobbin winder bar into the hand wheel and turn it clockwise to hide it back.

Caution! Before winding the bobbin, please take out the bottom bobbin and remove the top thread completely.

Replacement of the side bobbin

1. Pull the bobbin spindle out from the bobbin holder.
2. Take off the bobbin and replace with a new one.
3. Push the spindle with the new bobbin back to the bobbin holder.

How to use the needle threader

1. Insert the needle threader into the hole of the needle from the right to left.
2. Insert the thread into the needle threader at the left side of the needle and then pull the needle threader out to the right side.

Sewing sleeves



The appliance is designed to allow you to sew sleeves easier with the sleeves sewing slot. Follow the operating steps to sew the sleeves.

Working lamp

If additional light is needed, press the light switch to turn the light on. Press the switch again to turn it off.

Tips:

1. The appliance will be damaged if it works without fabric in place.
2. Turn off the appliance immediately once finished sewing.
3. During sewing, if the thread is broken or came out from the hole of the needle, turn off the appliance immediately. Otherwise, the thread may be tangled into the inside of the appliance and cause damages.

APPLICABLE CLOTH FOR SEWING

Sewing Presentation Fabric specification	Cloth	Cotton/Linen	Silk/Wool	Polyester	Elastic
Regular		√	×	√	△
Thick		√	×	√	△
Thin		√	×	×	×
Hard		√	√	√	△
Soft		×	×	×	×

Sewing effective:

√: means easy to sew

×: means difficult to sew

△: means not smooth to sew

Note:**1. The definition of the fabric thickness:**

Thin (fabric): two layers of the fabric thickness < 0.35mm;

Thick (fabric): two layers of the fabric thickness > 0.8mm;

Regular (fabric): two layers of the fabric thickness ≥ 0.35mm and ≤ 0.8mm.

2. The definition of elastic cloth:

If the cloth, which size is “100mm x 30mm”, is extending to or over 106mm under 0.5KG tension force, then the cloth is defined elastic, otherwise it is inelastic.

3. Hard fabric: such as Jeans, fine canvas, etc.**4. Soft fabric: such as towel, duster, etc.****TECHNICAL DATA**

Adapter input: 100-240V~ 50/60Hz, 0.2A

Adapter output: 6V DC, 800mA, 4.8W

Sewing machine: 6V DC, 800mA

GUARANTEE AND CUSTOMER SERVICE

Before delivery our devices are subjected to rigorous quality control. If, despite all care, damage has occurred during production or transportation, please return the device to your dealer. In addition to statutory legal rights, the purchaser has an option to claim under the terms of the following guarantee:

For the purchased device we provide 2 years guarantee, commencing from the day of sale. If you have a defective product, you can directly go back to the point of purchase.

Defects which arise due to improper handling of the device and malfunctions due to interventions and repairs by third parties or the fitting of non-original parts are not covered by this guarantee. Always keep your receipt, without the receipt you can't claim any form of warranty. Damage caused by not following the instruction manual, will lead to a void of warranty, if this results in consequential damages then we will not be liable. Neither can we hold responsible for material damage or personal injury caused by improper use if the instruction manual is not properly executed. Damage to accessories does not mean free replacement of the whole appliance. In such case please contact our service department. Broken glass or breakage of plastic parts is always subject to a charge. Defects to consumables or parts subjected to wearing, as well as cleaning, maintenance or the replacement of said parts are not covered by the warranty and are to be paid.

ENVIRONMENT FRIENDLY DISPOSAL



Recycling – European Directive 2012/19/EU

This marking indicates that this product should not be disposed with other household wastes. To prevent possible harm to the environment or human health from uncontrolled waste disposal, recycle

it responsibly to promote the sustainable reuse of material resources. To return your used device, please use the return and collection systems or contact the retailer where the product was purchased. They can take this product for environmental safe recycling.



BATTERY MUST BE RECYCLED OR DISPOSED OF PROPERLY. DO NOT OPEN. DO NOT DISPOSE OR IN FIRE OR SHORT CIRCUIT.

Emerio Deutschland GmbH (no service address)
Lerchenweg 3
40789 Monheim am Rhein
Deutschland

Customer service:

T: +49 (0) 3222 1097 600

E: info.de@emerio.eu

SICHERHEITSHINWEISE

Lesen Sie vor dem Gebrauch unbedingt die nachfolgenden Bedienungshinweise, um Verletzungen oder Beschädigungen zu vermeiden und das beste Ergebnis mit dem Gerät zu erzielen. Bewahren Sie diese Bedienungsanleitung an einem sicheren Ort auf. Wenn Sie dieses Gerät an eine andere Person weitergeben, stellen Sie sicher, dass Sie auch diese Bedienungsanleitung aushändigen.

Im Falle von Beschädigungen, die durch die Missachtung der Anleitungen in dieser Bedienungsanleitung verursacht wurden, wird die Garantie ungültig. Der Hersteller/Importeur haftet nicht für Schäden, die durch Missachtung der Bedienungsanleitung, fahrlässigen Gebrauch oder Benutzung, die nicht in Übereinstimmung mit den Anforderungen dieser Bedienungsanleitung erfolgt, verursacht wurden.

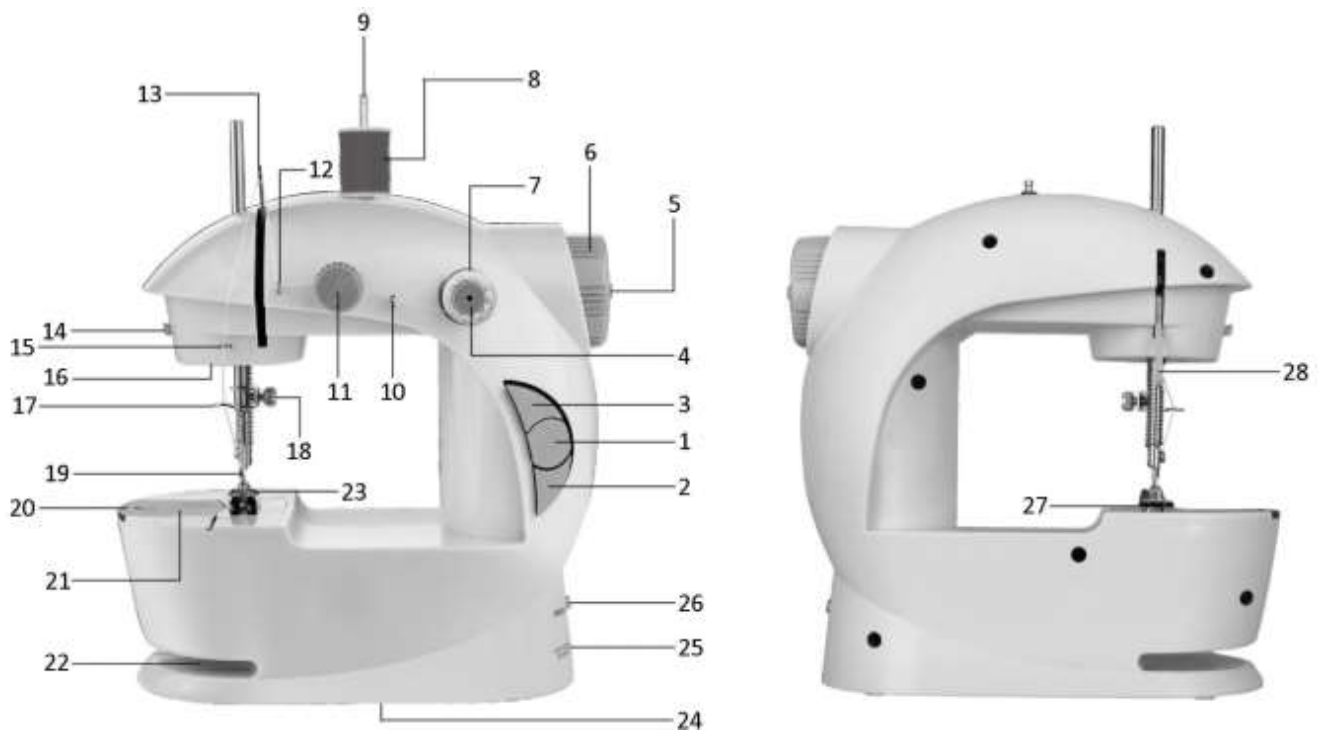
1. Dieses Gerät kann von Kindern ab 8 Jahren und Personen mit eingeschränkten körperlichen, sensorischen oder geistigen Fähigkeiten oder mangelnder Erfahrung und Kenntnis benutzt werden, wenn sie beaufsichtigt werden oder in die sichere Benutzung des Gerätes unterwiesen werden und die damit verbundenen Gefahren verstehen.
2. Kinder dürfen nicht mit dem Gerät spielen.
3. Die Reinigung und vom Benutzer auszuführende Wartungsarbeiten dürfen von Kindern nur unter Aufsicht durchgeführt werden.
4. **Das Gerät darf nur mit dem mitgelieferten Ladegerät betrieben werden.**
5. Schalten Sie das Gerät stets aus, trennen Sie es von der Stromversorgung und entfernen Sie das Fußpedal, wenn Sie:
 - die Nadel auswechseln;
 - die Nadel einfädeln;
 - die Unterfadenspule auswechseln;

Bestandteile auswechseln;
Batterien einlegen oder herausnehmen;
die Maschine reinigen;
nach jedem Gebrauch.

6. Lassen Sie die Maschine niemals laufen, wenn ein Faden in die Nadel eingefädelt ist, aber kein Stoff auf der Maschine liegt. Dadurch könnte die Nähmaschine beschädigt werden.
7. Versuchen Sie unter keinen Umständen, das Gehäuse des Gerätes zu öffnen oder das Gerät selbst zu reparieren. Dies könnte einen Stromschlag verursachen.
8. Ziehen Sie den Netzstecker des Gerätes, bevor Sie Wartungsarbeiten durchführen.
9. Dieses Gerät ist nicht für den gewerblichen Gebrauch konzipiert.
10. Benutzen Sie das Gerät nicht im Freien.
11. Verwenden Sie das Gerät nur zu seinem bestimmungsgemäßen Zweck.
12. Benutzen Sie das Gerät niemals, wenn es in irgendeiner Weise beschädigt ist.
13. Ziehen Sie den Stoff nicht beim Nähen. Durch das Ziehen könnte die Nadel brechen und das Gerät beschädigt werden.
14. Entnehmen Sie die Batterien, wenn das Gerät längere Zeit nicht benutzt wird. Dies schont die Batterien und schützt das Gerät. Benutzen Sie keine neuen und alten Batterien zusammen.
15. Halten Sie das Gerät von Kindern fern. Dieses Gerät ist kein Spielzeug und sollte nicht von oder in der Nähe von Kindern benutzt werden.
16. Tauchen Sie das Gerät oder andere Teile niemals in Wasser oder andere Flüssigkeiten. Wenn Sie den Adapter benutzen, bedienen Sie das Gerät nicht mit nassen Händen, ohne Schuhe oder während Sie in Wasser stehen oder auf einer nassen Oberfläche.
17. Benutzen Sie das Gerät niemals mit einem beschädigten Kabel oder Stecker.

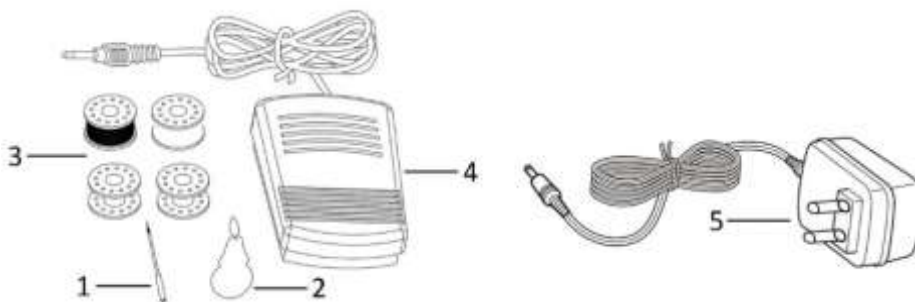
18. Halten Sie das Kabel von heißen Oberflächen fern.
19. Um den Stecker aus der Steckdose zu entfernen, ziehen Sie am Stecker. Ziehen Sie nicht am Kabel.
20. Verwenden Sie nur den vom Hersteller empfohlenen Adapter. Ein anderer Adapter kann Verletzungen verursachen oder das Gerät beschädigen.
21. Schalten Sie das Gerät aus oder ziehen Sie seinen Netzstecker aus der Steckdose, wenn Sie es unbeaufsichtigt lassen.
22. Achten Sie darauf, dass sich unter der Nadel Stoff befindet, wenn die Maschine läuft und die Nadel sich bewegt. Andernfalls wird sich die Maschine festfahren und der Faden steckenbleiben.
23. Wenn die Maschine festgefahren ist oder aufgrund unsachgemäßer Handhabung blockiert, stellen Sie die Maschine mit dem Ein/Ausschalter sofort aus.

BESCHREIBUNG



- | | | |
|--|----------------------------------|---|
| 1. Ein/Ausschalter | 12. Fadenführungsring | 23. Nähfuß |
| 2. Geschwindigkeitsregler | 13. Fadengeber | 24. Batteriefach (Unterseite) |
| 3. Lichtschalter | 14. Fadenschneider | 25. DC-Anschluss für den Adapter |
| 4. Spulenspindel | 15. Fadenführungsring | 26. Fußpedal-Anschlussbuchse |
| 5. Aufspulerstift (kann herausgedrückt werden) | 16. Lampe | 27. Zwischenraum für den Faden (Zwischenraum zwischen dem Nähfuß und der Nähplatte) |
| 6. Handrad | 17. Nadelhalter | 28. Nähfußhebel |
| 7. Seitenspule | 18. Nadelhalterschraube | |
| 8. Garnrolle | 19. Nadel | |
| 9. Garnrollenspindel | 20. Spulenfachabdeckung | |
| 10. Fadenführungsring | 21. Unterfadenspule (im Fach) | |
| 11. Fadenspannungsschraube | 22. Schlitz zum Nähen von Ärmeln | |

Zubehör



1. Nadel
2. Nadeleinfädler
3. Vier Metallspulen
4. Fußpedal
5. Adapter

Nach dem Auspacken des Geräts:

1. Stellen Sie sicher, dass der Ein/Ausschalter auf die Aus-Position gestellt ist, bevor Sie die Batterien einlegen.
2. Legen Sie vier AA-Batterien in das Batteriefach ein.
3. Drücken Sie den Ein/Ausschalter, um das Gerät einzuschalten. Das Gerät beginnt sofort zu nähen. Vergewissern Sie sich, dass das Gerät korrekt eingefädelt ist und der Stoff in der Nähposition ist, bevor Sie das Gerät einschalten.
4. Warnung! Wenn Sie den Adapter verwenden, nehmen Sie alle Batterien aus der Maschine.

EINFÄDELN DES GERÄTS

Dieses Gerät arbeitet mit zwei Fäden. Einer ist der Oberfaden. Dies ist der Faden der seitlichen Spule oder der Garnrolle. Der andere Faden ist der Unterfaden. Dies ist der Faden der Unterfadenspule.

Oberfaden:



Nach dem Auspacken des Geräts werden Sie sehen, dass es bereits eingefädelt ist (siehe Fadenverlauf 1 bis 8 in der Abbildung). Sie können die seitliche Spule sofort verwenden, um mit dem Nähen zu beginnen. Alternativ können Sie die Garnrolle, die Sie separat gekauft haben, zum Nähen verwenden.

Schritt 1: Heben Sie die Garnrollenspindel an, indem Sie die freiliegende Spitze greifen und die Garnrollenspindel nach oben ziehen, bis sie komplett herausgezogen ist.

Schritt 2: Stecken Sie die Garnrolle auf die Garnrollenspindel.

Schritt 3: Ziehen Sie den Faden von der Garnrolle und führen Sie ihn durch die Fadenführungsringe, die Fadenspannungsschraube, den Fadengeber, den Nadelhalter und die Nadel (siehe Verlauf **2 bis 8** in der Abbildung).

Achtung! Wenn der Faden über der Nadel verläuft, muss er von links nach rechts durch das Nadelöhr gefädelt werden. Andernfalls wird das Gerät nicht ordnungsgemäß funktionieren.

Hinweis: Wenn der Faden über der Fadenspannungsschraube verläuft, muss er zwischen den zwei Unterlegscheiben hinter der Schraube positioniert werden. Auf diese Weise wird der Faden gespannt.

Stellen Sie sicher, dass das Gerät korrekt eingefädelt ist. (Schrittweise, keinen Schritt auslassen oder an einer falschen Stelle einfädeln.) Ziehen Sie etwa 10 cm des Fadens heraus.

Unterfaden (Einsetzen der Unterfadenspule):

1. Entfernen Sie die Abdeckung des Spulenfachs.
2. Setzen Sie die ausgewählte Unterfadenspule in das Spulenfach ein. Der Faden muss gegen den Uhrzeigersinn verlaufen. Ziehen Sie etwa 5 cm des Fadens heraus. **(Abb.1)**
3. Halten Sie das Ende des Oberfadens mit einer Hand und drehen Sie dann das Handrad mehrmals mit der anderen Hand. Der Oberfaden wird den Unterfaden aufnehmen und durch die Öffnung unter der Nadel ziehen.

4. Setzen Sie die Abdeckung des Spulenfachs wieder ein. Trennen Sie die zwei Fäden und ziehen Sie diese dann zusammen zur Rückseite der Maschine durch den Zwischenraum unter dem Nähfuß; lassen Sie dort etwa 10 cm Faden hängen. **(Abb. 2)**

Achtung! Drehen Sie vor dem Starten der Maschine immer das Handrad zwei- bis dreimal, um zu prüfen, ob es sich leichtgängig drehen lässt. Das Handrad sollte in Richtung des Pfeils gedreht werden, der sich auf dem Handrad befindet.



Abb.1



Abb. 2

Wichtig! Stellen Sie sicher, dass Ober- und Unterfaden korrekt verlaufen. Führen Sie einen Test an einem alten Stück Stoff durch, bevor Sie mit dem Nähen beginnen. Wenn die Maschine nicht korrekt eingefädelt ist, wird die Steppnaht fehlerhaft ausgeführt.

Das Gerät wurde möglicherweise schon im Werk eingefädelt. Sehen Sie sich den Fadenverlauf genau an, bevor Sie den Faden entfernen, um einen neuen Faden oder eine neue Spule mit einem anderen Faden zu verwenden.

BETRIEB DES GERÄTS (ohne Fußpedal)

Achtung! Drehen Sie vor dem Starten der Maschine immer das Handrad zwei- bis dreimal, um zu prüfen, ob es sich leichtgängig drehen lässt. Das Handrad sollte in Richtung des Pfeils gedreht werden, der sich auf dem Handrad befindet.

1. Drehen Sie das Handrad etwas, um die Nadel über den Nähfuß zu stellen.
2. Heben Sie den Nähfuß an, indem Sie den Nähfußhebel nach oben stellen.
3. Legen Sie den Stoff, den Sie nähen möchten, unter den Nähfuß.
4. Senken Sie den Nähfuß, indem Sie den Nähfußhebel lösen und nach unten stellen.
5. Drehen Sie das Handrad zwei- bis dreimal.
6. Drücken Sie den Geschwindigkeitsschalter, um die gewünschte Geschwindigkeit einzustellen. Wenn der Schalter eingerastet ist, wurde die niedrige Geschwindigkeit eingestellt; wenn der Schalter gelöst ist und hervorsteht, wurde die hohe Geschwindigkeit eingestellt. Wählen Sie für komplizierte Näharbeiten, für die das Gerät häufig angehalten, gestartet und der Stoff gedreht werden muss, die niedrige Geschwindigkeit. Wählen Sie für lange, durchgehende Nähte die hohe Geschwindigkeit.
7. Drücken Sie nun den Ein/Ausschalter, bis er in der Ein-Position einrastet. Führen Sie den Stoff vorsichtig, um eine gerade Naht zu nähen, indem Sie den Stoff mit Ihren Fingerspitzen an beiden Seiten leicht herunterdrücken, während er unter den Nähfuß gezogen wird.
8. Wenn die Naht fertig ist, drücken Sie den Ein/Ausschalter, bis er sich löst und sich in Aus-Position stellt.
9. Drehen Sie das Handrad etwas, um die Nadel über den Stoff zu heben.
10. Heben Sie den Nähfußhebel an, um den Nähfuß hoch zu stellen.
11. Drehen Sie das Handrad vor und zurück. Dadurch lässt sich der Faden leicht lösen. Ziehen Sie den Stoff in Ihre Richtung und lassen Sie einen etwa 10 cm langen Faden zwischen dem Stoff und dem Gerät. Wenn sich der Stoff nur schwer herausziehen lässt, lockern Sie den Oberfaden etwas, indem Sie den Faden mit der Hand von der rechten Seite des Fadengebers lockern. **(Abb. 3 und 4)**
12. Schneiden Sie die Fäden nahe am Stoff ab. Ziehen Sie die Fäden durch den Zwischenraum unter dem Nähfuß zur Rückseite des Geräts, lassen Sie dort einen etwa 10 cm langen Faden hängen. Starten Sie die nächste Naht auf die gleiche Weise wie oben beschrieben, indem Sie diese Anleitungsschritte wiederholen.



Abb. 3



Abb. 4

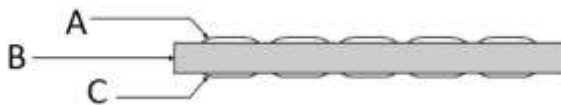
Benutzung des Fußpedals

1. Das Gerät muss ausgeschaltet sein.
2. Verbinden des Fußpedals mit dem Gerät.
3. Drücken Sie auf das Fußpedal, um das Gerät zu starten. Drücken Sie behutsam auf das Fußpedal, um das Gerät zu steuern.

Achtung! Das Fußpedal und der Ein/Ausschalter können nicht gleichzeitig benutzt werden. Wenn das Fußpedal benutzt wird, stellen Sie bitte den Ein/Ausschalter am Gerät in die Aus-Position. Mithilfe des Fußpedals wird das Starten und Anhalten gesteuert. Es ist nicht der Antrieb. Sie müssen daher den Adapter anschließen oder Batterien einlegen, wenn Sie das Fußpedal benutzen.

Einstellen der Fadenspannung

1. Eine normale Naht sollte gleichmäßig aus Ober- und Unterfaden gebildet werden, weder zu straff noch zu locker. Sie sollten die Spannung nicht einstellen, da sie für eine optimale Leistung bereits im Werk eingestellt und angepasst wurde. Wenn Sie jedoch beim Nähen unterschiedlicher Stoffe feststellen, dass die Stiche zu locker oder zu straff sind, können Sie die Spannung anpassen. (A= Oberfaden; B= Stoff; C= Unterfaden.)



2. Wenn der Unterfaden wie eine gerade Linie aussieht, ist der Oberfaden zu locker. Drehen Sie bitte die Fadenspannungsschraube - weder zu stark noch zu locker - im Uhrzeigersinn, um die Spannung zu erhöhen, bis die Stiche wieder normal aussehen.



3. Wenn jedoch der Oberfaden wie eine gerade Linie aussieht, ist der Oberfaden zu straff. Drehen Sie die Fadenspannungsschraube langsam gegen den Uhrzeigersinn, bis die Stiche wieder normal aussehen.



Achtung! Wenn der Faden über der Fadenspannungsschraube verläuft, muss er zwischen die zwei Unterlegscheiben hinter der Schraube positioniert werden. Andernfalls wird das Gerät nicht ordnungsgemäß funktionieren.

Auswechseln der Nadel

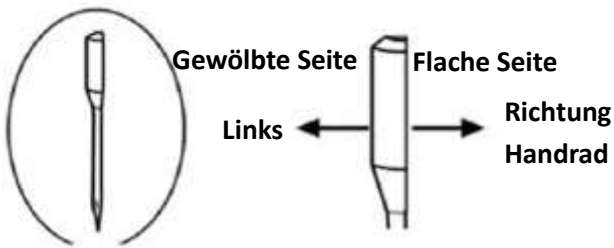
Wenn die Nadel bricht oder Sie eine andere Nadel benötigen, um eine andere Stoffart zu nähen, wechseln Sie bitte die Nadel aus.

Wenn Sie Ersatznadeln benötigen, verwenden Sie bitte Universalnadeln vom Typ 90/14.

1. Entfernen Sie die Batterien/den Adapter, um sicherzustellen, dass das Gerät richtig ausgeschaltet ist.
2. Drehen Sie das Handrad, um die Nadel ganz nach oben zu stellen.
3. Lösen Sie die Nadelhalterschraube mithilfe eines kurzen Schlitzschraubendreher.
4. Ziehen Sie die Nadel nach unten aus dem Nadelhalter, um sie zu entfernen.
5. Setzen Sie eine neue Nadel mit der flachen Seite gegen die Nadelhalterung ein. Schieben Sie die Nadel vorsichtig nach oben, bis sie sich nicht weiter schieben lässt.

6. Halten Sie die Nadel, damit sie nicht verrutscht, und ziehen Sie die Nadelhalterschraube an.

Achtung! Wenn der Faden über der Nadel verläuft, muss er von links nach rechts durch das Nadelöhr gefädelt werden. Andernfalls wird das Gerät nicht ordnungsgemäß funktionieren.



Achtung! Wenn Sie die Nadel einsetzen, drehen Sie bitte die flache Seite der Nadel nach rechts (Richtung Handrad) und die gewölbte Seite nach links. Andernfalls funktioniert das Gerät nicht.

Aufspulen



Mithilfe des Aufspulers können Sie Ihre eigenen Spulen von den Garnrollen, die Sie separat kaufen, aufspulen. Der Stift ist normalerweise im Handrad verborgen. Wenn Sie eine Spule aufspulen möchten:

1. Drücken Sie einen Moment lang auf den Stift.
2. Drehen Sie den Stift gegen den Uhrzeigersinn; der Stift springt daraufhin heraus.
3. Setzen Sie die leere Spule fest auf den Stift und wickeln Sie den Faden im Uhrzeigersinn vier- bis fünfmal um die Spule.
4. Drücken Sie den Ein/Ausschalter, um das Gerät einzuschalten. Der Faden wird automatisch aufgespult. Halten Sie den Faden leicht und lassen Sie ihn vorsichtig durch Ihre Finger gleiten. Siehe obenstehendes Beispielbild. Wickeln Sie den Faden nicht über den Rand der Spule auf.
5. Drücken Sie den Ein/Ausschalter, um das Gerät auszuschalten, wenn die Spule aufgespult ist. Schneiden Sie den Faden ab und nehmen Sie die Spule von dem Stift.
6. Drücken Sie den Aufspulerstift in das Handrad und drehen Sie ihn im Uhrzeigersinn, um ihn wieder zu verbergen.

Achtung! Bevor Sie aufspulen, nehmen Sie bitte die Unterfadenspule heraus und entfernen Sie den Oberfaden vollständig.

Auswechseln der Seitenspule

1. Ziehen Sie die Spulenspindel aus dem Spulhalter.
2. Nehmen Sie die Spule ab und ersetzen Sie sie durch eine neue.
3. Schieben Sie die Spindel mit der neuen Spule zurück auf den Spulhalter.

Verwendung des Einfädlers

1. Stecken Sie den Einfädler von rechts durch das Nadelöhr.
2. Führen Sie den Faden durch den Einfädler auf der linken Seite der Nadel und ziehen Sie dann den Einfädler zur rechten Seite der Nadel heraus.

Ärmel nähen



Das Gerät ist mit einem Ärmelschlitz ausgestattet, der Ihnen das Nähen von Ärmeln erleichtert. Folgen Sie den Betriebsanleitungen zum Nähen der Ärmel.

Arbeitslampe

Falls Sie mehr Licht benötigen, drücken Sie den Lichtschalter, um die Lampe einzuschalten. Drücken Sie den Schalter erneut, um die Lampe auszuschalten.

Tipps:

1. Das Gerät wird beschädigt, wenn es ohne Stoff benutzt wird.
2. Schalten Sie das Gerät sofort aus, wenn Sie mit dem Nähen fertig sind.
3. Schalten Sie das Gerät sofort aus, wenn der Faden während des Nähens reißt oder aus dem Nadelöhr gezogen wurde. Andernfalls kann sich der Faden im Gerät verheddern und Schäden verursachen.

GEEIGNETE STOFFE

Erklärung / Stoff	Baumwolle/Leinen	Seide/Wolle	Polyester	Elastisch
Stoffeigenschaften				
Regulär	✓	✗	✓	△
Dick	✓	✗	✓	△
Dünn	✓	✗	✗	✗
Hart	✓	✓	✓	△
Weich	✗	✗	✗	✗

Zeichenerklärung:

v: einfach zu nähen

x: schwierig zu nähen

△: wellt sich beim Nähen

Hinweis:

1. Definition der Stoffdicke:

Dünn (Stoff): zwei Stofflagen $< 0,35$ mm;

Dick (Stoff): zwei Stofflagen $> 0,8$ mm;

Normal (Stoff): zwei Stofflagen $\geq 0,35$ mm und $\leq 0,8$ mm.

2. Welche Stoffe gelten als elastisch:

Wenn ein Stoff von einer Größe von „100 mm x 30 mm“ sich mit einer Kraft von weniger als 0,5 kg auf über 106 mm dehnen lässt, gilt dieser Stoff als elastisch,

3. Feste Stoffe wie Jeans, dünnes Segeltuch usw.

4. Weiche Stoffe wie Handtücher, Staubtücher usw.

TECHNISCHE DATEN

Adapter-Eingangsleistung: 100-240V~ 50/60Hz, 0.2A

Adapter-Ausgangsleistung: 6V DC, 800mA, 4.8W

Nähmaschine: 6V DC, 800mA

GARANTIE UND KUNDENSERVICE

Vor der Lieferung werden unsere Geräte einer strengen Qualitätskontrolle unterzogen. Wenn, trotz aller Sorgfalt, während der Produktion oder dem Transport Beschädigungen aufgetreten sind, senden Sie das Gerät zurück an den Händler. Zusätzlich zu den gesetzlichen Rechten hat der Käufer die Option, gemäß der folgenden Bedingungen Garantie zu fordern:

Wir bieten eine 2-jahres-Garantie für das erworbene Gerät, beginnend am Tag des Verkaufs. Defekte, die aufgrund von unangemessenem Umgang mit dem Gerät entstehen und Störungen aufgrund von Eingriffen und Reparaturen Dritter oder das Montieren von nicht-Originalteilen werden nicht von dieser Garantie abgedeckt. Die Quittung immer aufbewahren, ohne Quittung wird jegliche Garantie ausgeschlossen. Bei Schäden durch Nichteinhalten der Bedienungsanleitung erlischt die Garantie, Wir sind für daraus resultierende Folgeschäden nicht haftbar. Für Materialschäden oder Verletzungen aufgrund falscher Anwendung oder Nichtbefolgen der Sicherheitshinweise sind wir nicht haftbar. Schäden an den Zubehörteilen bedeutet nicht, dass das gesamte Gerät kostenlos ausgetauscht wird. In diesem Fall kontaktieren Sie unseren Kundendienst. Zerbrochenes Glas oder Kunststoffteile sind immer kostenpflichtig. Schäden an Verbrauchsmaterialien oder Verschleißteilen, sowie Reinigung, Wartung oder Austausch der besagten Teile werden durch die Garantie nicht abgedeckt und sind deshalb kostenpflichtig.

UMWELTGERECHTE ENTSORGUNG



Wiederverwertung – Europäischen Richtlinie 2012/19/EG

Dieses Symbol zeigt an, dass das Produkt nicht zusammen mit Haushaltsabfällen entsorgt werden darf.

Um Umwelt- und Gesundheitsschäden durch unkontrollierte Abfallentsorgung zu verhindern, bitte

verantwortungsbewusst entsorgen, um die nachhaltige Wiederverwertung von Ressourcen zu fördern.

Nutzen Sie zur Rückgabe Ihres Altgeräts bitte die Rückgabe- und Sammelsysteme oder wenden Sie sich an den Händler bei dem Sie dieses Gerät erworben haben. Dieser kann das Gerät umweltschonend entsorgen.



**BATTERIEN MÜSSEN WIEDERVERWERTET ODER KORREKT ENTSORGT WERDEN. NICHT
ÖFFNEN. NICHT WEGWERFEN, IN FEUER WERFEN ODER KURZSCHLIESSEN.**

Emerio Deutschland GmbH (no service address)

Lerchenweg 3

40789 Monheim am Rhein

Deutschland

Kundeninformation:

T: +49 (0) 3222 1097 600

E: info.de@emerio.eu

CONSIGNES DE SÉCURITÉ

Avant d'utiliser l'appareil, lisez toutes les consignes suivantes pour éviter des blessures et des dommages, et pour optimiser les performances de votre appareil. Conservez cette notice d'utilisation dans un endroit sûr. Si vous donnez ou transférez cet appareil à un tiers, veillez à lui remettre également cette notice d'utilisation.

En cas de détérioration due au non-respect par l'utilisateur des instructions de cette notice d'utilisation, la garantie est annulée. Le fabricant/importateur rejette toute responsabilité en cas de dommages dus au non-respect des instructions de la notice d'utilisation, à un usage négligent ou à l'usage non conforme aux exigences de cette notice d'utilisation.

1. Cet appareil peut être utilisé par des enfants âgés de 8 ans et plus et les personnes ayant des capacités physiques, sensorielles ou mentales, ou un manque d'expérience et de connaissances si elles ont été formées et encadrées pour l'utilisation de cet appareil en toute sécurité et de comprendre la risques impliqués.
2. Les enfants ne doivent pas jouer avec l'appareil.
3. Le nettoyage et la maintenance ne doivent pas être effectués par des enfants sans surveillance.
4. **La machine ne doit être utilisée qu'avec l'unité d'alimentation électrique fournie avec celle-ci.**
5. Éteignez toujours la machine, débranchez le câble d'alimentation de la prise murale et enlevez la pédale lorsque :
 - vous changez l'aiguille ;
 - vous enfitez l'aiguille ;
 - vous changez la bobine inférieure ;
 - vous changez n'importe quelle pièce ;
 - vous insérez ou retirez les piles ;

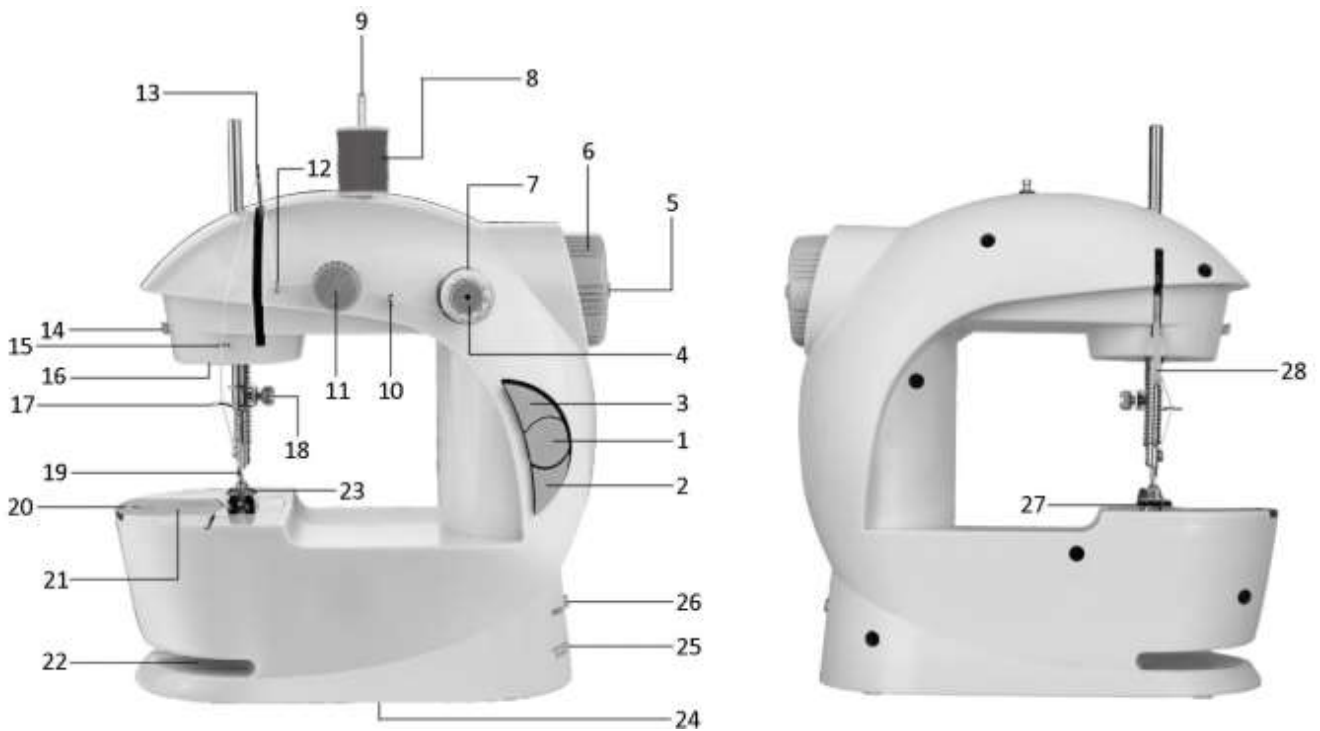
vous nettoyez la machine ;
après chaque utilisation.

6. Ne faites jamais fonctionner la machine lorsqu'il y a du fil dans l'aiguille mais pas de tissu sur la machine. Cela pourrait endommager la machine.
7. N'essayez pas d'ouvrir le boîtier de l'appareil ni de réparer l'appareil vous-même. Cela pourrait causer un choc électrique.
8. Débranchez toujours la machine avant tout entretien.
9. Cette machine n'est pas conçue pour un usage commercial.
10. N'utilisez pas la machine à l'extérieur.
11. N'utilisez pas cette machine à un usage autre que celui pour laquelle elle a été conçue.
12. N'utilisez jamais la machine si elle est endommagée.
13. Ne tirez pas sur le tissu pendant la couture. Vous risqueriez de casser l'aiguille et d'endommager l'appareil.
14. Enlevez les piles de l'appareil si vous avez l'intention de laisser inutilisé pendant longtemps. Cela permettra d'économiser les piles et de préserver l'appareil. Évitez tout mélange de piles neuves et usagées.
15. Garder hors de portée des enfants. Cet appareil n'est pas un jouet et n'est pas destiné à être utilisé par ou à proximité d'enfants.
16. Ne plongez jamais l'appareil ou ses pièces dans l'eau. Lorsque l'appareil est alimenté par l'adaptateur secteur, ne l'utilisez pas avec les mains mouillées, pieds nus ou debout dans de l'eau ou sur une surface mouillée.
17. N'utilisez en aucun cas l'appareil si le câble ou la prise mâle sont endommagés.
18. Veillez à éviter tout contact du câble avec une surface chauffée.
19. Pour débrancher la fiche de la prise de courant, saisissez la fiche et tirez-la hors de la prise. Ne tirez pas sur le câble d'alimentation.
20. N'utilisez pas d'autre adaptateur secteur que celui recommandé par le fabricant. Tout autre adaptateur est

susceptible de causer des blessures ou d'endommager l'appareil.

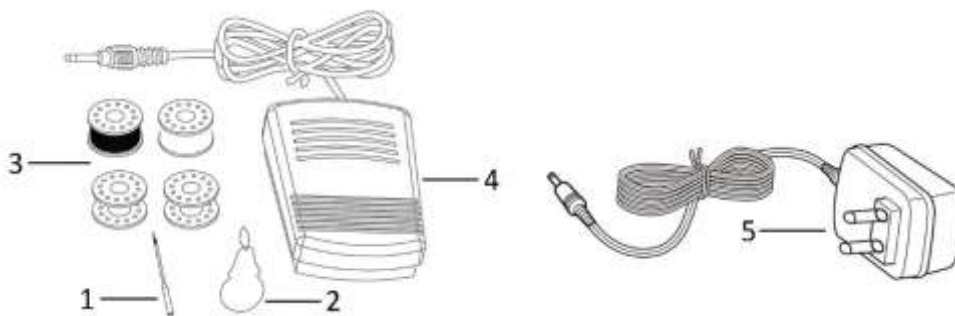
21. Arrêter la machine ou la débrancher lorsqu'elle est laissée sans surveillance.
22. Veiller à ce qu'il y ait toujours du tissu sous l'aiguille lorsque l'appareil est en marche et que l'aiguille bouge. Faute de quoi, il y aurait risque de blocage de l'appareil et de coincement du fil.
23. Si l'appareil reste bloqué ou coincé en raison d'une fausse manipulation, éteignez-le immédiatement avec le bouton marche/arrêt.

PARTIES DES COMPOSANTS



- | | | |
|--------------------------------------|---|--|
| 1. Bouton marche/arrêt de l'appareil | 10. Guide-fil | 21. Bobine inférieure (cachée) |
| 2. Bouton de vitesse | 11. Vis de réglage de tension | 22. Fente à manches |
| 3. Bouton marche/arrêt de la lampe | 12. Guide-fil | 23. Pied presseur |
| 4. Broche porte-bobine | 13. Donneur de fil | 24. Compartiment des piles (en dessous) |
| 5. Enrouleur de bobine (escamotable) | 14. Coupe-fil | 25. Prise jack DC de l'adaptateur |
| 6. Molette | 15. Guide-fil | 26. Prise de la pédale |
| 7. Bobine latérale | 16. Lampe | 27. Interstice (entre le pied presseur et le plateau de couture) |
| 8. Canette (non fournie) | 17. Serre-aiguille | 28. Levier du pied presseur |
| 9. Tige à fil | 18. Vis du serre-aiguille | |
| | 19. Aiguille | |
| | 20. Couvercle du compartiment de la bobine inférieure | |

Accessoires



1. Aiguille
2. Enfile-aiguille
3. Quatre bobines métalliques
4. Pédale
5. Adaptateur

Après avoir sorti l'appareil de l'emballage :

1. Vérifiez que le bouton marche/arrêt est bien sur la position d'arrêt avant d'installer les piles.
2. Installez 4 piles de type AA dans le compartiment des piles.
3. Appuyez sur le bouton marche/arrêt pour allumer l'appareil. L'appareil commence à coudre immédiatement. Avant de mettre l'appareil en marche, veillez à installer correctement les fils et à positionner correctement le tissu pour la couture.
4. Avertissement ! Si vous avez l'intention de brancher la machine via l'adaptateur, commencez par enlever toutes les piles.

INSTALLATION DES FILS

L'appareil fonctionne avec 2 fils. L'un des deux est le fil supérieur. Celui-ci provient de la bobine latérale ou de la canette. L'autre est le fil inférieur. Celui-ci provient de la bobine inférieure.

Fil supérieur :



Après avoir déballé l'appareil, vous remarquerez que les fils sont déjà installés sur celui-ci (voir chiffres 1-8 sur l'illustration). Vous pouvez utiliser directement la bobine inférieure pour commencer à coudre. Sinon, vous pouvez également vous procurer séparément une canette :

Étape 1 : Déployez complètement la tige à fil en saisissant le bout exposé et en tirant dessus à fond.

Étape 2 : Installez une canette sur la tige.

Étape 3 : Commencez à dévider le fil de la canette et faites-le passer par les différents guide-fil, la vis de réglage de tension, le donneur de fil, le serre-fil et l'aiguille, voir numéros 2-8 sur l'illustration.

Attention ! Attention, le fil doit passer par le chas de l'aiguille de gauche à droite. Sinon, l'appareil ne fonctionnera pas correctement.

Remarque : En passant par la vis de réglage de tension, le fil doit être positionné entre les 2 rondelles situées derrière la vis. C'est ce qui fournit la tension au fil.

Veillez à ce que l'installation du fil soit parfaitement correcte. (Suivez scrupuleusement les étapes une par une en veillant à éviter tout placement incorrect.) Laissez pendre environ 10 cm de fil au bout.

Fil du bas (installation de la bobine inférieure) :

1. Ôtez le couvercle du compartiment de la bobine.
2. Placez la bobine de votre choix dans le compartiment, avec le fil dans le sens inverse des aiguilles d'une montre. Laissez pendre environ 5 cm de fil au bout. **(Fig. 1)**
3. Tenez le bout du fil supérieur d'une main, et tournez la molette de plusieurs tours avec l'autre main. Le fil supérieur soulève le fil inférieur et le fait passer par le trou en dessous de l'aiguille.
4. Remettez en place le couvercle du compartiment de la bobine. Séparez les 2 fils et rassemblez-les à l'arrière de l'appareil en les faisant passer sous l'interstice, en laissant pendre environ 10 cm à cet endroit. **(Fig. 2)**

Attention ! Avant de démarrer l'appareil, commencez toujours par tourner la molette de 2 ou 3 tours à la main pour vous assurer qu'elle tourne facilement. Tournez la molette dans le sens indiqué par la flèche figurant sur celle-ci.



Fig.1



Fig.2

Important ! Assurez-vous que le cheminement des fils supérieur et inférieur est correct. Faites un test sur un vieux bout de tissu avant de commencer à coudre. Toute pose incorrecte du fil est de nature à endommager le point noué.

Il est possible que le fil ait été préinstallé en usine. Examinez soigneusement le cheminement de ce fil avant de l'enlever pour remplacer le fil ou pour installer une bobine d'un autre fil.

UTILISATION DE L'APPAREIL (sans la pédale)

Attention ! Avant de démarrer l'appareil, commencez toujours par tourner la molette de 2 ou 3 tours à la main pour vous assurer qu'elle tourne facilement. Tournez la molette dans le sens indiqué par la flèche figurant sur celle-ci.

1. Soulevez l'aiguille au-dessus du pied presseur en tournant légèrement la molette.
2. Soulevez le pied presseur en relevant son levier.
3. Placez le tissu à coudre en dessous du pied presseur.
4. Abaissez le pied presseur en laissant redescendre son levier.
5. Faites tourner la molette de 2 ou 3 tours.
6. Choisissez la vitesse à l'aide du bouton de réglage de vitesse. L'appareil fonctionne à vitesse lente avec le bouton rentré, et à vitesse rapide avec le bouton sorti. Utilisez la vitesse lente pour les travaux complexes nécessitant un grand nombre d'arrêts, de redémarrages et de tournants. Utilisez la vitesse rapide pour les longues coutures ininterrompues.
7. Maintenant, allumez l'appareil en enfonçant le bouton marche/arrêt. Afin que la couture soit parfaitement droite, guidez lentement et progressivement le tissu sous le pied presseur en exerçant une pression régulière sur le tissu avec vos doigts de part et d'autre.
8. Une fois la couture terminée, éteignez l'appareil avec le bouton marche/arrêt (le bouton doit ressortir).
9. Soulevez l'aiguille au-dessus du tissu en tournant légèrement la molette.
10. Soulevez le pied presseur en relevant son levier.
11. Tournez la molette en avant et en arrière pour relâcher facilement le fil. Tirez le tissu vers vous en laissant environ 10 cm de fil entre les tissus et l'appareil. Si le tissu sort difficilement, relâchez légèrement le fil supérieur en détendant manuellement le fil du côté droit du donneur. **(Fig.3&4)**
12. Coupez les fils près du tissu. Mettez les fils à l'arrière de l'appareil en les faisant passer sous l'interstice, en laissant pendre environ 10 cm à cet endroit. Commencez la couture suivante selon le même principe, en répétant les étapes ci-dessus.



Fig.3



Fig.4

Utilisation de la pédale

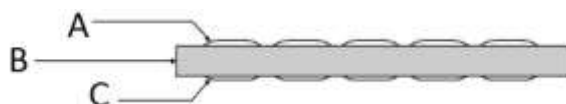
1. Vérifiez que l'appareil est à l'arrêt.
2. Reliez la pédale à l'appareil.
3. Mettez l'appareil en marche en appuyant sur la pédale. Gardez une pression délicate sur la pédale pour faire fonctionner l'appareil.

Attention ! La pédale et le bouton marche/arrêt ne peuvent pas servir en même temps. Le bouton marche/arrêt doit être en position d'arrêt lorsque la pédale est actionnée. La pédale sert à allumer et éteindre la machine. Elle n'est pas la source d'alimentation. N'oubliez donc pas d'installer les piles ou de brancher l'appareil via l'adaptateur secteur lorsque vous utilisez la pédale.

Réglage de la tension

1. Une couture normale doit être réalisée avec un fil supérieur et un fil inférieur, et les fils ne doivent être ni trop serrés ni trop lâches.

Vous n'êtes pas censé ajuster la tension, car celle-ci a été paramétrée et ajustée correctement en usine de manière à optimiser le fonctionnement de l'appareil. Néanmoins, si vous avez l'impression que les points sont trop serrés ou au contraire trop lâches selon les matériaux que vous cousez, vous pouvez ajuster la tension. (A= Fil supérieur; B= Tissu; C= Fil inférieur.)



2. Si le fil inférieur dessine une ligne droite, cela signifie que le fil supérieur est trop lâche. Tournez la vis de réglage de la tension dans le sens des aiguilles d'une montre pour augmenter la pression jusqu'à ce que les points redeviennent normaux, en évitant tout serrage excessif ou au contraire insuffisant.



3. Si le fil supérieur ressemble à une ligne droite, cela indique qu'il est trop tendu, auquel cas tournez lentement la vis de réglage dans le sens inverse des aiguilles d'une montre pour réduire la pression jusqu'à ce que les points redeviennent normaux.



Attention ! En passant par la vis de réglage de tension, le fil doit être positionné entre les 2 rondelles situées derrière la vis. Sinon, l'appareil ne fonctionnera pas correctement.

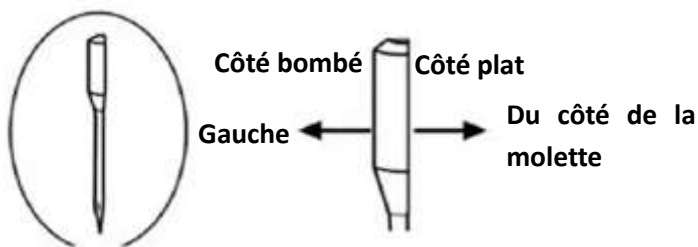
Changement d'aiguille

Si l'aiguille se casse ou si vous avez besoin d'une aiguille différente pour coudre un type de tissu différent, il vous faut changer d'aiguille.

Si vous avez besoin d'aiguilles de rechange, veuillez utiliser des aiguilles universelles de type 90/14.

1. Enlevez les piles ou débranchez l'adaptateur pour mettre l'appareil complètement hors tension.
2. Tournez le volant pour relever l'aiguille dans sa position la plus haute.
3. Dévissez la vis du serre-aiguille au moyen d'un petit tournevis plat.
4. Enlevez l'aiguille du serre-aiguille en la tirant vers le bas.
5. Installez une nouvelle aiguille avec le côté plat dirigé du côté du serre-aiguille. Poussez-la délicatement à fond vers le haut.
6. Resserrez la vis du serre-aiguille tout en tenant l'aiguille en place.

Attention ! Attention, le fil doit passer par le chas de l'aiguille de gauche à droite. Sinon, l'appareil ne fonctionnera pas correctement.



Attention ! Lors de l'installation de l'aiguille, orientez le côté plat de l'aiguille vers la droite (du côté de la molette) et le côté bombé vers la gauche. Sinon, l'appareil ne fonctionnera pas.

Enroulement de la bobine



L'enrouleur de bobine sert à enrouler vos propres bobines à partir des canettes que vous achetez séparément. En temps normal, l'enrouleur est dissimulé dans la molette. Lorsque vous avez besoin d'enrouler une bobine :

1. Appuyez sur l'enrouleur et gardez-le enfoncé.
2. Faites sortir l'enrouleur en le tournant dans le sens inverse des aiguilles d'une montre.
3. Fixez solidement la bobine vide sur l'enrouleur, puis enroulez le fil dessus de 4 ou 5 tours dans le sens des aiguilles d'une montre.
4. Appuyez sur le bouton marche/arrêt pour allumer l'appareil. Le fil s'enroule automatiquement. Tenez le fil pendant tout le processus, en le guidant délicatement avec vos doigts. Voir illustration ci-dessus pour référence. Évitez d'enrouler le fil au-delà du bord de la bobine.
5. Après l'utilisation, appuyez sur le bouton marche/arrêt pour éteindre l'appareil. Coupez le fil, puis enlevez la bobine.
6. Enfoncez de nouveau l'enrouleur dans la molette et tournez celle-ci dans le sens des aiguilles d'une montre pour la remettre dans son emplacement initial.

Attention ! Avant de bobiner la bobine, retirez la bobine inférieure et enlevez complètement le fil supérieur.

Remplacement de la bobine latérale

1. Sortez la tige du support de bobine.
2. Enlevez la bobine et installez la bobine neuve.
3. Remettez en place la tige avec la bobine neuve sur le support.

Utilisation de l'enfile-aiguille

1. Insérez l'enfile-aiguille dans le chas de l'aiguille de la droite vers la gauche.
2. Faites rentrer le fil dans l'enfile-aiguille du côté gauche de l'aiguille, puis ressortez l'enfile-aiguille du côté droit.

Couture des manches



L'appareil est conçu pour vous faciliter la couture des manches grâce à la fente spécialement prévue à cet effet. Suivez les étapes pour coudre les manches.

Lampe de travail

Si un éclairage supplémentaire est nécessaire, appuyez sur le bouton de la lampe pour l'allumer. Appuyez à nouveau sur le bouton pour l'éteindre.

Conseils :

1. L'appareil risque d'être endommagé si vous le faites fonctionner sans tissu en place.
2. Éteignez l'appareil dès que vous avez fini de coudre.
3. Si le fil se casse ou sort du chas de l'aiguille pendant la couture, éteignez l'appareil immédiatement. Faute de quoi, le fil risque de s'emmêler à l'intérieur de l'appareil et de l'endommager.

TISSUS APPROPRIÉS À LA COUTURE

Couture Présentation Tissu Spécifications	Tissu	Coton / lin	Soie / laine	Polyester	Élastique
Ordinaire		✓	×	✓	△
Épais		✓	×	✓	△
Fin		✓	×	×	×
Dur		✓	✓	✓	△
Doux		×	×	×	×

Niveau de difficulté de couture :

✓ : Facile à coudre

× : Difficile à coudre

△ : Assez difficile à coudre

Remarque :**1. Définition de l'épaisseur de tissu :**

Fin (tissu) : deux épaisseurs du tissu < 0,35 mm ;

Épais (tissu) : deux épaisseurs du tissu > 0,8 mm ;

Ordinaire (tissu) : deux couches de tissu d'une épaisseur ≥ 0,35 mm et ≤ 0,8 mm.

2. Définition du tissu élastique :

Si le tissu, dont la taille est «100 mm x 30 mm», dépasse 106 mm sous une force de tension de 0,5 kg, le tissu est défini comme élastique, sinon il est inélastique.

3. Tissu dur : comme les jeans, les toiles fines, etc.**4. Tissu doux : comme les serviettes, les chiffons, etc.****DONNÉES TECHNIQUES**

Entrée de l'adaptateur : 100-240V~ 50/60Hz, 0.2A

Sortie de l'adaptateur : 6V DC, 800mA, 4.8W

Machine à coudre : 6V DC, 800mA

GARANTIE ET SERVICE APRÈS-VENTE

Nos appareils sont soumis à un contrôle de qualité strict avant d'être livrés. Si l'appareil a toutefois été endommagé lors de la production ou du transport en dépit des soins que nous lui donnons, retournez l'appareil au vendeur. En plus des droits juridiques, le client a la possibilité dans les limites de la garantie de déposer les réclamations suivantes:

Nous offrons une garantie de 2 ans pour l'appareil acheté à partir de la date de vente. Les défauts dus à une utilisation non conforme de l'appareil et les dommages dus à une intervention ou réparation faite par une tierce personne ou dus à l'installation de pièces qui ne sont pas d'origine ne sont pas couverts par cette garantie. Conservez toujours votre reçu, car sans celui-ci vous ne pourrez réclamer aucune sorte de garantie. Les dommages causés par le non respect des instructions de ce manuel rendront la garantie caduque, Nous décline toute responsabilité en cas de dommages indirects. Nous décline toute responsabilité en cas de dégâts matériels ou de dommages corporels causés par une utilisation inappropriée ou si les instructions de sécurité n'ont pas été convenablement observées. Si les accessoires sont endommagés, cela ne signifie pas que toute la machine sera remplacée gratuitement. Dans de tels cas, veuillez contacter notre assistance. Des pièces brisées en verre ou en plastique sont toujours sujettes à des frais. Les défauts des consommables ou des pièces susceptibles de s'user, ainsi que le nettoyage, l'entretien ou la réparation desdites pièces ne sont pas couverts par la garantie et doivent donc être payés.

APPAREIL RESPECTUEUX DE L'ENVIRONNEMENT

Recyclage – Directive européenne 2012/19/EU

Ce symbole indique que le produit ne doit pas être jeté avec les ordures ménagères. Afin d'éviter toute nuisance possible pour l'environnement et la santé humaine causée par les déchets non

contrôlés, recyclez ce produit de manière responsable afin de contribuer à la réutilisation des ressources matérielles. Pour retourner votre appareil usagé, utilisez les systèmes de collecte et de retour ou contactez le distributeur auprès duquel le produit a été acheté. Il pourra reprendre ce produit pour qu'il soit recyclé d'une manière respectueuse de l'environnement.



LA BATTERIE DOIT ÊTRE RECYCLÉE OU MISE AU REBUT D'UNE MANIÈRE APPROPRIÉE. NE PAS OUVRIR. NE PAS JETER DANS UN FEU ET NE PAS COURT-CIRCUITER.

Emerio Deutschland GmbH (no service address)

Lerchenweg 3

40789 Monheim am Rhein

Deutschland

Service a la clientele:

T: +49 (0) 3222 1097 600

E: info.de@emerio.eu

SÄKERHETSANVISNINGAR

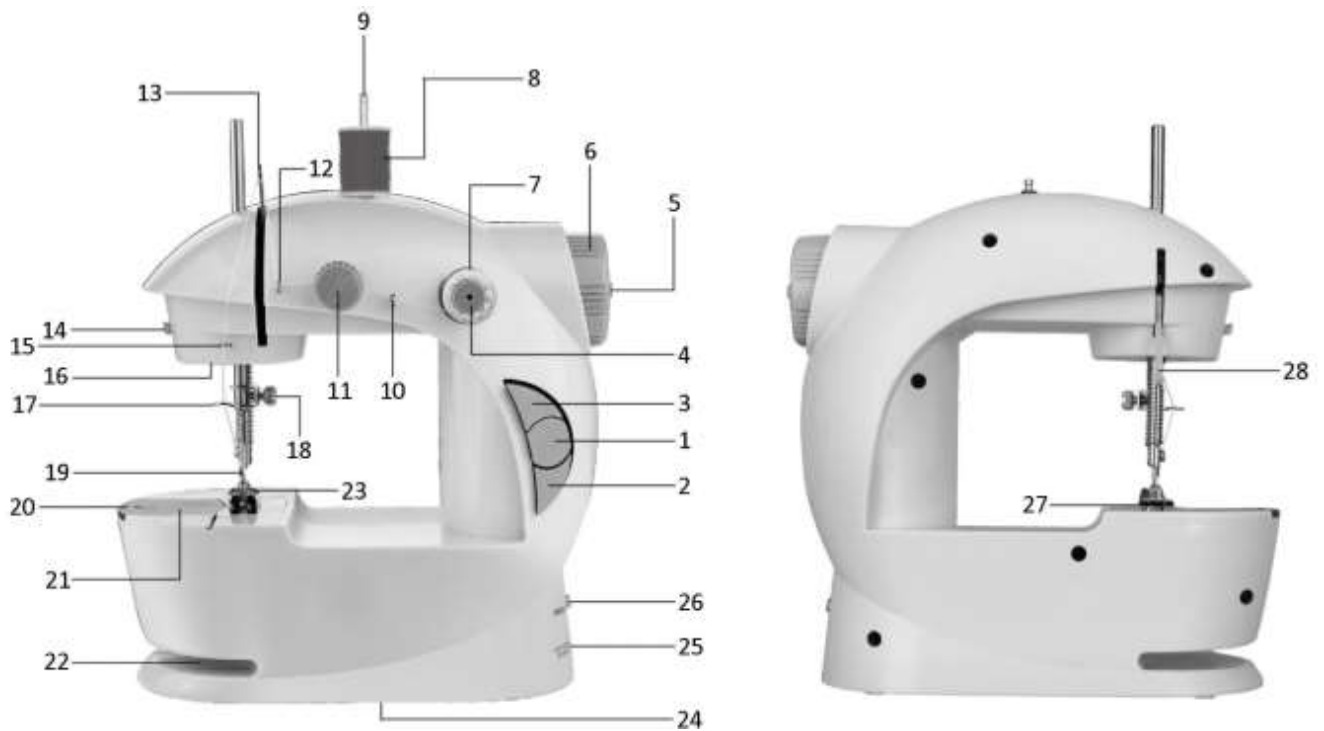
Före användning och för att att erhålla bästa resultat från apparaten, var noga med att läsa igenom alla instruktioner nedan för att undvika skada på person eller egendom. Se till att förvara denna bruksanvisning på en säker plats. Om du ger bort eller överlåter denna apparat till någon, se till att även inkludera denna bruksanvisning.

Vid skador som orsakats av att användaren inte följer instruktionerna i denna bruksanvisning ogiltighetsförklaras garantin. Tillverkaren/importören tar inget ansvar för skador som orsakats av underlåtenhet att följa bruksanvisningen, vid en vårdslös användning eller användning som inte är i enlighet med kraven i denna bruksanvisning.

1. Denna apparat kan användas av barn från 8 år och uppåt, samt av personer med nedsatt fysisk, sensorisk eller mental förmåga eller av personer som saknar erfarenhet och kunskap under förutsättning att de övervakas eller mottagit instruktioner för säker användning av apparaten och förstår riskerna.
2. Barn får inte leka med apparaten.
3. Rengöring och underhåll får inte utföras av barn utan tillsyn.
4. **Använd bara symaskinen tillsammans med den medföljande nätadaptorn.**
5. Stäng alltid av maskinen, dra ut kontakten ur eluttaget och ta bort fotpedalen när du:
 - byter nål
 - trär på nålen
 - byter underspole
 - byter några delar
 - sätter i eller tar bort batterier
 - rengör maskinen
 - efter varje användning
6. Du ska aldrig köra maskinen med tråd i nålen men utan tyg. Det kan skada maskinen.

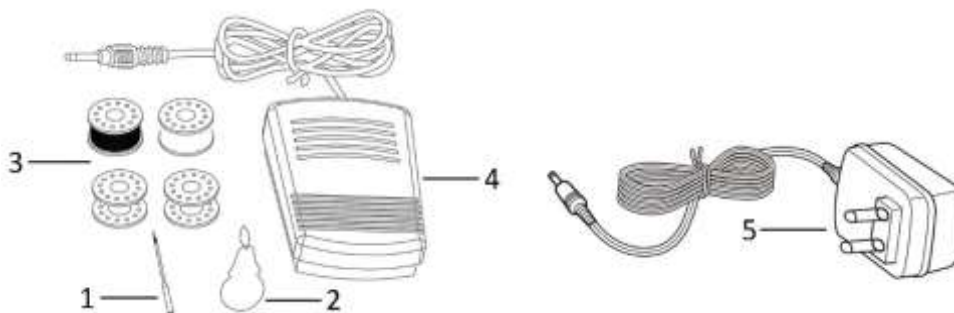
7. Försök aldrig öppna maskinhuset eller reparera maskinen själv. Risk för elstötar!
8. Dra alltid ur kontakten innan rengöring och underhåll.
9. Maskinen är inte framtagen för kommersiellt bruk.
10. Använd inte maskinen utomhus.
11. Använd bara maskinen för det den är avsedd för.
12. Använd aldrig maskinen om den är skadad på något sätt.
13. Dra inte i tyget medan du syr. Om du drar i tyget kan nålen gå av och maskinen skadas.
14. Ta ut batterierna när maskinen inte ska användas under en längre tidsperiod. Det förlänger batteriets livslängd och skyddar maskinen. Blanda inte nya och använda batterier.
15. Se till att barn inte är i närheten av maskinen. Maskinen är ingen leksak och ska inte användas av eller i närheten av barn.
16. Sänk aldrig ner maskinen och dess delar i vatten. Använd inte maskinen med våta händer, barfota, i vatten eller på ett vått underlag när du har adaptern inkopplad.
17. Använd aldrig maskinen om elsladden eller stickkontakten är skadade.
18. Håll elsladden borta från heta ytor.
19. Dra i kontakten när du kopplar loss maskinen från eluttaget. Dra inte i sladden.
20. Använd bara den nätadapter som rekommenderas av tillverkaren. Andra adaptrar kan orsaka personskador eller skada maskinen.
21. Stäng av maskinen eller dra ur kontakten när du går ifrån den.
22. Se till att det finns tyg under nålen när maskinen är igång och nålen rör sig. Annars kan maskinen fastna och tråden trassla sig.
23. Om maskinen fastnar eller tråden trasslar sig på grund av att du gjort något fel, ska du omedelbart stänga av maskinen.

BESKRIVNING AV DELAR



- | | | |
|---|-----------------------|---|
| 1. Strömbrytare | 10. Trådledare | 20. Batterifack |
| 2. Hastighetsknapp | 11. Trådspänningsratt | 21. Underspole (på insidan) |
| 3. Strömbrytare för lampa | 12. Trådledare | 22. Skåra för armar |
| 4. Spolhållare | 13. Trådtilldragare | 23. Pressarfot |
| 5. Spolaxel (kan tas ut och tryckas in) | 14. Trådkniv | 24. Batterifack (på undersidan) |
| 6. Handhjul | 15. Trådledare | 25. Adapteruttag (DC) |
| 7. Sidospole | 16. Lampa | 26. Uttag för fotpedal |
| 8. Trådrulle (medföljer ej) | 17. Nålhållare | 27. Mellanrum mellan pressarfot och stygnplåt |
| 9. Trådrullehållare | 18. Nålhållarskruv | 28. Lyftspak för pressarfot |
| | 19. Nål | |

Tillbehör



1. Nål
2. Nålträdare
3. Fyra metallspolar
4. Fotpedal
5. Nätadapter

Efter att du packat upp symaskinen:

1. Se till att strömbrytaren är i läge OFF innan du sätter i batterierna.
2. Sätt i 4 AA-batterier i batterifacket.
3. Tryck på strömbrytaren för att slå på maskinen. Maskinen börjar sy omedelbart. Se till att trädningen är korrekt och att tyget ligger på plats innan du slår på maskinen för att sy.
4. Viktigt! Ta ut batterierna när du använder nätadaptern.

TRÄDNING AV SYMASKINEN

Symaskinen har två trådar. Den övre kallas övertråd. Den löper från sidospolen eller trådrullen. Den undre kallas undertråd. Den löper från underspolen.

Övertråd:



När du packar upp symaskinen kommer du att se att maskinen redan är träd med tråd från sidospolen (se bilden redan från 1 till 8). Du kan börja sy direkt med tråden från sidospolen. Du kan även välja att sy med tråd från en trådrulle du själv har köpt:

Steg 1: Dra ut trådrullehållaren genom att ta tag i spetsen som sticker ut och dra tills trådrullehållaren är helt utdragen.

Steg 2: Sätt en trådrulle på trådrullehållaren.

Steg 3: Dra ut tråd från trådrullen och led den genom trådledarna, trådspänningsratten, trådtilldragaren, nålhållaren och nålen, enligt siffrorna 2-8 i bilden.

Viktigt! När du trär tråden på nålen ska den föras genom hålet från vänster till höger. Annars fungerar inte maskinen korrekt.

Obs! När tråden träds över trådspänningsratten ska den ledas mellan de två brickorna bakom ratten. På så sätt kan tråden spännas.

Se till att trädningen är korrekt. (Följ alla steg noga och träd inte tråden på något annat sätt.) Lämna omkring 10 cm tråd hängande bakom nålen.

Undertråd (från underspolen):

1. Ta bort locket till spolluckan.
2. Sätt i den spole du vill sy med i luckan med tråden virad motklocks. Lämna omkring 5 cm tråd hängande utanför (**bild 1**).
3. Håll i övertrådens ände med ena handen och vrid på handhjulet flera varv med den andra. Övertråden hämtar upp undertråden och drar ut den genom hålet under nålen.
4. Sätt tillbaka locket till spolluckan. Skilj de båda trådarna åt och dra dem tillsammans bakåt under pressarfoten och lämna omkring 10 cm tråd hängande bakom (**bild 2**).

Viktigt! Vrid alltid handhjulet 2 eller 3 varv för att prova att det snurrar jämnt och lätt innan du startar maskinen. Vrid handhjulet i samma riktning som pilen på hjulet visar.



Bild 1



Bild 2

Viktigt! Kontrollera att över- och undertråd löper korrekt. Provsy på en liten bit tyg innan du börjar sy på riktigt. Felaktig trädning skadar skyttelsömmen.

Maskinen kan vara färdigträdd när du packar upp den. Titta noggrant på hur maskinen är träd in innan du tar bort tråden om du vill byta till en annan tråd eller spole.

SY UTAN FOTPEDALEN

Viktigt! Vrid alltid handhjulet 2 eller 3 varv för att prova att det snurrar jämnt och lätt innan du startar maskinen. Vrid handhjulet i samma riktning som pilen på hjulet visar.

1. Lyft upp nålen ovanför pressarfoten genom att vrida lite på handhjulet.
2. Lyft upp pressarfoten i spaken.
3. Lägg tyget du vill sy i under pressarfoten.
4. Sänk ned pressarfoten genom att föra spaken nedåt.
5. Vrid på handhjulet 2 till 3 varv.
6. Tryck på hastighetsknappen för att välja hastighet. Tryck in knappen om du vill ha låg hastighet, tryck ut den om du vill ha hög hastighet. Använd låg hastighet för komplicerade arbeten som kräver att du startar, stannar och vrider tyget ofta. Använd hög hastighet för långa, raka sömmar.
7. Tryck in strömbrytaren för att starta maskinen. Styr tyget varsamt för att sömmen ska bli rak genom att trycka lätt på båda sidor om pressarfoten medan tyget matas fram.
8. När sömmen är klar, stänger du av maskinen med strömbrytaren genom att trycka ut knappen.
9. Lyft upp nålen genom att snurra lätt på handhjulet.
10. Lyft upp pressarfoten med spaken.
11. Vrid handhjulet bakåt och framåt för att lossa tråden. Dra tyget mot dig till du har 10 cm tråd mellan tyget och symaskinen. Om tyget är vårt att dra, lossar du på övertråden lite genom att lirka med tråden på höger sida om trådtilldragaren (**bild 3 och 4**).
12. Klipp av trådarna nära tyget. Dra trådarna bakåt under pressarfoten och lämna omkring 10 cm tråd hängande bakom. Börja nästa söm på samma sätt och följ stegen ovan för att fortsätta sy.



Bild 3



Bild 4

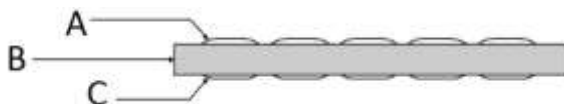
Sy med fotpedalen

1. Se till att maskinen är avstängd.
2. Sätt i fotpedalens kontakt i uttaget på symaskinen.
3. Slå på maskinen genom att trampa ned fotpedalen. Tryck försiktigt på fotpedalen för att köra maskinen.

Viktigt! Fotpedalen och strömbrytaren kan inte användas samtidigt. När du använder fotpedalen ska strömbrytaren vara i läget OFF. Fotpedalen används för att slå på och stänga av maskinen. Den är ingen strömkälla. Glöm därför inte att ansluta adaptern eller sätta i batterierna när du vill sy med fotpedalen.

Justera trådspänningen

1. När du syr ska över- och undertråd normalt vara lika mycket spända, varken för hårt eller för löst. Trådspänningen har ställts in på fabriken för att ge bästa resultat och behöver normalt inte justeras. Men om du märker att stygnen är för lösa eller för hårda när du syr i olika material kan du reglera spänningen själv. (A= Övertråd; B= Tyg; C= Undertråd.)



2. Om undertråden bildar en rak linje är övertråden inte tillräckligt spänd. Vrid på trådspänningsratten (inte för hårt och inte för löst) medklocks för att öka spänningen tills stygnen ser normala ut igen.



3. Om övertråden bildar en rak linje betyder det att den är för hårt spänd. Vrid försiktigt på trådspänningsratten motklocks för att minska spänningen tills stygnen ser normala ut igen.



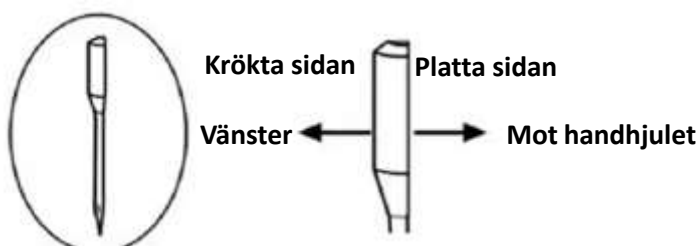
Viktigt! Tråden som träs över trådspänningsratten måste löpa mellan de två brickorna bakom ratten. Annars fungerar inte maskinen korrekt.

Byta nål

Om nålen går sönder, eller om du behöver byta nål för att sy i ett tyg av annat material, följer du stegen nedan: Om du behöver utbytesnålar använd universalnålar av typ 90/14.

1. Ta ut batterierna/koppla bort adaptern för att vara säker på att maskinen är helt avstängd.
2. Vrid handhjulet så att nålen hamnar i högsta läget.
3. Lossa på nålhållarskraven med hjälp av en kort spårskruvmejsel.
4. Ta ut nålen ur nålhållaren genom att dra nedåt.
5. Sätt i den nya nålen med den platta sidan mot nålhållaren. Tryck försiktigt in nålen så långt det går.
6. Dra åt nålhållarskraven medan du håller nålen på plats.

Viktigt! När du trär tråden på nålen ska den föras genom hålet från vänster till höger. Annars fungerar inte maskinen korrekt.



Viktigt! När du sätter i nålen ska den platta sidan vara åt höger (mot handhjulet) och den krökta sidan åt vänster. Annars fungerar inte maskinen.

Spolning av undertråd



Med spolaxeln kan du spola upp undertråd från trådrollar du själv har köpt. Spolaxeln sitter normalt infälld i handhjulet. För att spola upp undertråd:

1. Tryck på spolaxeln samtidigt som du håller i den.
2. Vrid spolaxeln motklocks tills den fälls ut.
3. Sätt fast den tomma spolen ordentligt på spolaxeln och vira tråden medsols runt spolen 4 eller 5 varv.
4. Tryck på strömbrytaren för att starta maskinen. Tråden börjar spolas upp automatiskt. Håll lätt i tråden och styr den försiktigt med fingrarna. Se bilden ovan. Spola inte upp tråd ovanför spolens kant.
5. Tryck på strömbrytaren för att stänga av maskinen när du är färdig. Klipp av tråden och ta av spolen.
6. Tryck tillbaka spolaxeln in i handhjulet och vrid medsols för att fälla in den igen.

Viktigt! Ta bort underspole och all övertråd innan du spolar upp undertråd.

Byte av sidospole

1. Dra ut spolhållaren från sitt fäste.
2. Ta av spolen och sätt dit den nya.
3. Tryck fast spolhållaren med den nya spolen i.

Använda nålträdaren

1. För in nålträdaren i hålet på nålen från höger till vänster.
2. Trä i tråden i nålträdaren på nålens vänstra sida och dra sedan ut nålträdaren åt höger.

Sy ärmar



Symaskinen är designad för att underlätta när du syr ärmar med hjälp av en praktisk skåra. Följ sedan anvisningarna steg för steg som vanligt för att sy ärmar.

Arbetslampa

Om du behöver extra ljus trycker du på strömbrytaren till lampan för att tända den. Tryck igen för att släcka lampan.

Tips:

1. Maskinen kan skadas om den startas utan att något tyg är på plats.
2. Stäng av maskinen direkt efter att du använt den.
3. Om tråden går av medan du syr, eller om nålen tappar tråden, ska du omedelbart stänga av maskinen. Tråden kan annars trassla sig inne i maskinen och skada den.

VÄLJ RÄTT TYG

Sömnad resultat Tygets egenskaper	Tyg	Bomull/linne	Siden/ull	Polyester	Elastiskt tyg
Normalt		✓	×	✓	△
Tjockt		✓	×	✓	△
Tunt		✓	×	×	×
Hårt		✓	✓	✓	△
Mjukt		×	×	×	×

Sömnad/resultat

✓: lätt att sy

×: svårt att sy

△: ojämnt resultat

Obs!**1. Mått för tygets tjocklek:**

Tunt tyg: två lager av tyget är tunnare än 0,35 mm.

Tjockt tyg: två lager av tyget är tjockare än 0,8 mm

Normalt tyg: två lager av tyget har en tjocklek på 0,35-0,8 mm.

2. Definition av elasticitet:

Om ett tygstycke på 100x 30 mm kan töjas ut till 106 mm vid en spännkraft under 0,5 kg räknas tyget som elastiskt. Om inte är tyget oelastiskt.

3. Hårda tyger: jeans, kanvas och liknande**4. Mjuka tyger: tyger till handdukar, dammtrasor och liknande****SPECIFIKATIONER**

Adapter input: 100-240V~ 50/60Hz, 0.2A

Adapter output: 6V DC, 800mA, 4.8W

Symaskin: 6V DC, 800mA

GARANTI OCH KUNDTJÄNST

Innan leverans genomgår våra apparater en sträng kvalitetskontroll. Om det trots detta skulle uppstå någon skada på produktionen eller vid transporten, ber vi dig att ta med apparaten tillbaka till inköpsstället. Förutom de i lag fastställda garantianspråken har köparen möjlighet att göra gällande följande anspråk på garanti:

För den köpta apparaten ges 2 års garanti, med början på inköpsdagen.

Brister som uppstår genom felaktig hantering av apparaten och fel som uppstår genom ingrepp och reparationer av tredje man eller montering av främmande delar, omfattas ej av vår garanti. Behåll alltid ditt kvitto då det är din garanti vid eventuell reklamation. Skador som uppstår p.g.a. att instruktionsmanualen inte följs ogiltigförklarar garantin och om detta leder till påföljande skador så kan inte vi hållas ansvariga. Vi kan inte hållas ansvariga för materiella skador eller personskador som orsakas av felaktig användning eller om inte säkerhetsföreskrifterna följs. Skador på tillbehören innebär inte per automatik ersättning av hela apparaten. I sådana fall ska du kontakta vår kundservice. Trasigt glas och trasiga plastdelar innebär alltid en kostnad. Defekter på förbrukningsartiklar eller slitdelar och även skador orsakade av rengöring, underhåll eller byte av tidigare nämnda delar täcks inte av garantin och ska således betalas av ägaren.

MILJÖVÄNLIG KASSERING



Återvinning – EU-direktiv 2012/19/EU

Denna markering indikerar att produkten inte får kastas tillsammans med övrigt hushållsavfall. För att förhindra eventuell skada på miljön eller människors hälsa på grund av okontrollerad avfallshantering, återvinns de på ett ansvarsfullt sätt som främjar en hållbar återanvändning av materiella resurser. För att återlämna den använda enheten, använd retur- och insamlingssystem eller kontakta återförsäljaren där produkten var köpt. De kan ta denna produkt för miljösäker återvinning.



BATTERIET MÅSTE ÅTERVINNAS ELLER KASSERAS PÅ ETT KORREKT SÄTT. FÅR INTE ÖPPNAS. FÅR INTE KASSERAS I ÖPPEN ELD ELLER KORTSLUTAS.

Emerio Deutschland GmbH (no service address)
Lerchenweg 3
40789 Monheim am Rhein
Deutschland

Kundservice:

T: +49 (0) 3222 1097 600

E: info.de@emerio.eu

VEILIGHEIDSVOORSCHRIFTEN

Voor gebruik dient u alle onderstaande instructies te lezen om letsel en schade te voorkomen en om de beste resultaten met het apparaat te bereiken. Bewaar deze handleiding op een veilige plek. Mocht u dit apparaat aan iemand anders overhandigen, dient u ook de gebruiksaanwijzing te overhandigen.

In geval van schade die wordt veroorzaakt doordat de gebruiker de instructies in deze gebruiksaanwijzing niet in acht heeft genomen, komt de garantie te vervallen. De fabrikant/importeur is niet aansprakelijk voor schade die wordt veroorzaakt door het niet in acht nemen van de gebruiksaanwijzing, door nalatig gebruik of gebruik dat niet in overeenstemming is met de bepalingen van deze gebruiksaanwijzing.

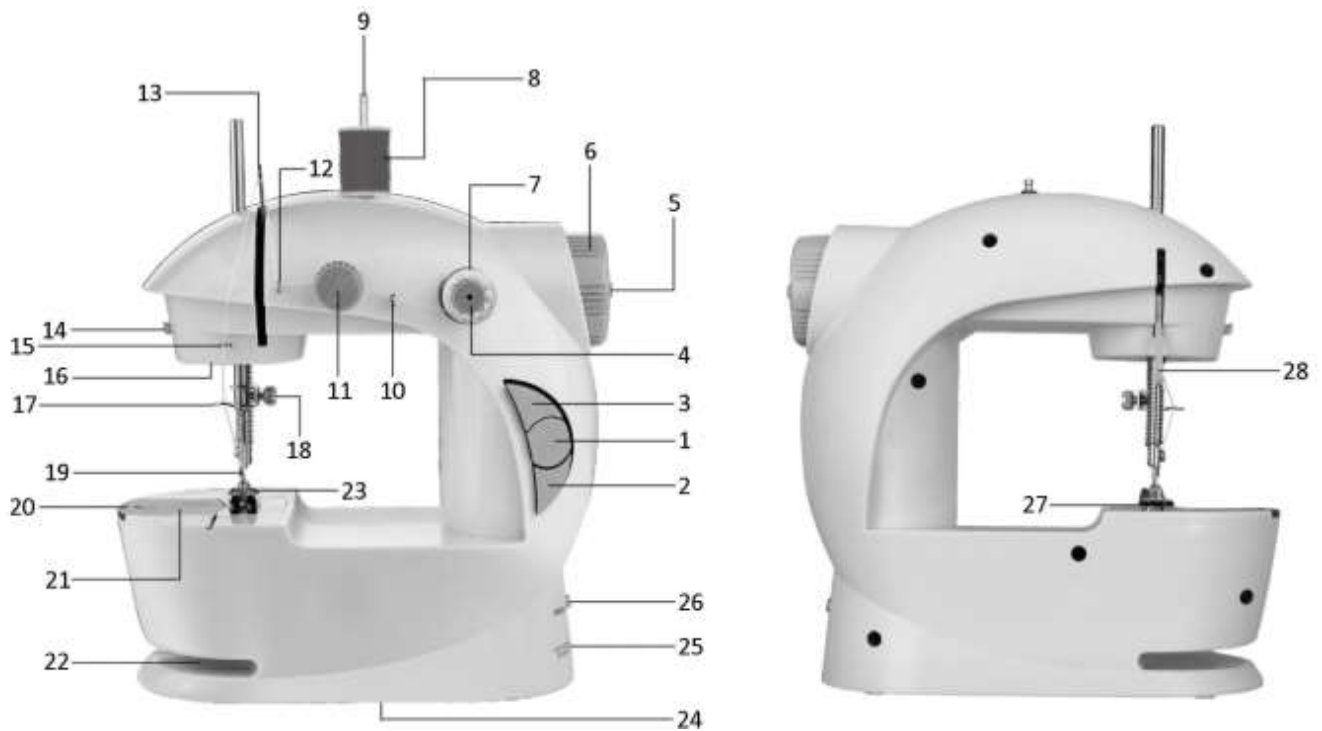
1. Dit apparaat mag worden gebruikt door kinderen vanaf 8 jaar en personen met beperkte fysieke, visuele of mentale vaardigheden, of die een gebrek aan ervaring en kennis hebben, indien ze gepaste instructies hebben gekregen zodat ze het apparaat op een veilige manier kunnen gebruiken, op de hoogte zijn van de gevaren die het gebruik van het apparaat met zich meebrengt en deze gevaren begrijpen.
2. Laat kinderen niet met het apparaat spelen.
3. Kinderen mogen het apparaat niet reinigen of onderhouden zonder toezicht.
4. **Gebruik alleen de voedingseenheid die met het apparaat is meegeleverd.**
5. Schakel het apparaat altijd uit, haal de stekker uit het stopcontact en verwijder de voetpedaal wanneer u de naald vervangt;
de naald van draad voorziet;
de onderste spoel vervangt;

een onderdeel vervangt;
batterijen installeert of verwijdert;
de machine schoonmaakt;
na elk gebruik.

6. Schakel de machine nooit in wanneer er draad op de naald is geregen maar er geen stof op de machine aanwezig is. Dit kan de machine beschadigen.
7. Probeer nooit de behuizing van het apparaat te openen en probeer nooit zelf het apparaat te repareren. Dit kan een elektrische schok veroorzaken.
8. Trek de stekker uit het stopcontact voordat u onderhoud op het apparaat uitvoert.
9. Dit apparaat werd niet ontworpen voor commercieel gebruik.
10. Gebruik het apparaat niet buitenshuis.
11. Gebruik het apparaat niet voor andere doeleinden dan het beoogde doel.
12. Gebruik het apparaat nooit als het op enigerlei wijze beschadigd is.
13. Trek niet aan de stof tijdens het naaien. Door het trekken kan de naald afbreken wat resulteert in een beschadiging van het apparaat.
14. Verwijder de batterijen uit het apparaat als u het gedurende een lange periode niet gebruikt. Hierdoor wordt de levensduur van de accu bespaard en het apparaat beschermd. Meng geen nieuwe en gebruikte batterijen met elkaar.
15. Uit de buurt van kinderen houden. Dit apparaat is geen speelgoed en is niet bedoeld voor gebruik door of in de buurt van kinderen.
16. Dompel het toestel nooit in water of een andere vloeistof. Gebruik het apparaat niet met natte handen, zonder schoenen, of terwijl u in water staat of op een nat oppervlak tijdens het gebruik van de adapter.
17. Gebruik het apparaat nooit met een beschadigde stroomkabel of stekker.

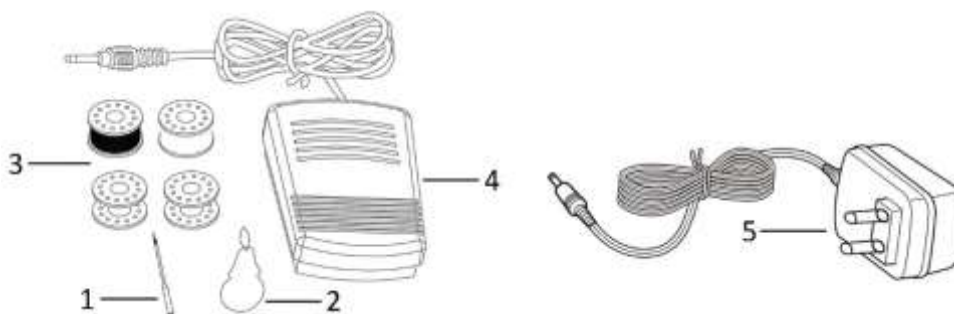
18. Houd de stroomkabel uit de buurt van verwarmde oppervlakken.
19. Om de stekker uit het stopcontact te halen, dient u aan de stekker zelf te trekken. Trek niet aan de stroomkabel.
20. Gebruik alleen de netadapter die wordt aanbevolen door de fabrikant. Iedere andere adapter kan letsel of beschadiging aan het apparaat veroorzaken.
21. Schakel het apparaat uit of haal de stekker uit het stopcontact wanneer u het apparaat zonder toezicht achterlaat.
22. Zorg dat zich stof onder de naald bevindt als het apparaat in gebruik is en de naald beweegt. Anders kan het apparaat vast raken en komt de draad vast te zitten.
23. Als het apparaat vast raakt of de draad vast zit als gevolg van een foutief gebruik, moet u de aan-/uit-schakelaar direct uit zetten.

BESCHRIJVING VAN DE ONDERDELEN



- | | | |
|--|--------------------------------------|--|
| 1. Stroom aan/uit-schakelaar | 12. Draadgeleidingsring | 23. Persvoet |
| 2. Snelheidsregelaar | 13. Draadophaalhendel | 24. Batterijvak (aan de onderkant) |
| 3. Licht aan/uit-schakelaar | 14. Draadsnijder | 25. DC-jack aansluiting voor de adapter |
| 4. Spoel | 15. Draadgeleidingsring | 26. Aansluiting voor het voetpedaal |
| 5. Spoeloprolbalk (kan eruit worden gedrukt) | 16. Licht | 27. Draadopening (opening tussen drukvoet en het naaiblad) |
| 6. Handwiel | 17. Naaldklem | 28. Drukvoet hendel |
| 7. Zijspoel | 18. Naaldklemschroef | |
| 8. Garenklos (niet inbegrepen) | 19. Naald | |
| 9. Klospen | 20. Afdekking voor het spoelvak | |
| 10. Draadgeleidingsring | 21. Onderste spoel (binnen) | |
| 11. Spanningaanpassingsschroef | 22. Sleuf voor het naaien van mouwen | |

Accessories



1. Naald
2. Naaldinrijger
3. Vier metalen spoelen
4. Voetpedaal
5. Adapter

Nadat u het apparaat uit de verpakking heeft gehaald:

1. Zorg ervoor dat de aan-/uit-schakelaar voor de stroom op uit staat voordat u de batterijen plaatst.
2. Plaats 4 AA batterijen in het batterijvak.
3. Druk op de aan-/uit-schakelaar voor de stroom om het apparaat in te schakelen. Het toestel start direct met naaien. Zorg ervoor dat de draad juist is ingeregen en dat de stof zich op zijn plek bevindt voor het naaien, voordat u de het toestel inschakelt.
4. Waarschuwing! Als u de adapter gebruikt, moet u de batterijen uit het apparaat verwijderen.

DE NAALD INRIJGEN IN HET APPARAAT

Dit apparaat werkt met twee draden. Een is de bovenste draad. De draad is afkomstig van de zijdelingse spoel of de garenklos. De andere is afkomstig van de onderste draad. De draad is van de onderste spoel.

Bovenste draad:



Nadat u het apparaat uit de verpakking heeft gehaald, ziet u dat het apparaat reeds een draad bevat (zie de instructies van 1-8 in de afbeelding). U kunt gelijk de zijdelingse spoel gebruiken en beginnen met naaien.

Alternatief kunt u de garenklos gebruiken die u apart heeft gekocht om te beginnen met naaien:

Stap 1: Til de Klospen eruit door het bovenste, uitstekende gedeelte vast te pakken en hem er naar boven uit te tillen totdat de Klospen er volledig uit is.

Stap 2: Plaats de garenklos op de klossen.

Stap 3: Trek de draad uit de garenklos en steek hem door de draadgeleidingsringen, de spanningaanpassingsschroef, de draadophaalhendel, naaldklem en de naald, op basis van de richting van **2-8** weergegeven in de afbeelding.

Opgelet! Als de draad over de naald gaat, moet hij door het gat van de naald van links naar rechts worden gestoken. Anders werkt het apparaat niet naar behoren.

Opmerking: Als de draad over de spanningaanpassingsschroef loopt, moet hij tussen de twee plaatjes achter de schroef worden geplaatst. Hierdoor ontstaat de spanning van de draad.

Zorg dat het apparaat correct is ingeregen. (Stap voor stap, vergeet geen enkele stap anders loopt de draad verkeerd). Laat ongeveer 10 cm van de draad uitsteken.

Onderste draad (onderste spoel plaatsen):

1. Verwijder de afdekking van voor het spoelvak.
2. Plaats de spoel van uw keuze op de klossen, met de draad tegen de klok in gaand. Laat ongeveer 5 cm van de draad uitsteken. **(Afb.1)**
3. Houd het uiteinde van de bovenste draad vast met een hand en draai dan met de andere hand een paar keer aan het handwiel. De bovenste draad neemt de onderste draad mee en trekt hem omhoog door het gat onder de naald.

4. Vervang de afdekking van het spoelvak. Haal de twee draden uit elkaar en trek ze vervolgens samen naar de achterkant van het apparaat onder door het naaldgat, en laat er ongeveer 10 cm hangen. **(Afb.2)**
Opgelet! Draai het handwiel altijd 2 tot 3 keer met de hand om te testen of hij gladjes loopt of niet voor de start van het apparaat. De richting waarin het handwiel moet worden gedraaid moet dezelfde zijn als de pijlrichting op het handwiel.



Afb.1



Afb.2

Belangrijk! Controleer en zorg ervoor dat de bovenste en onderste draad goed lopen. Test een stukje oude stof voordat u begint met naaien. Het verkeerd inrijgen beschadigt de locksteek.

Het apparaat is eventueel al ingerijgd in de fabriek. Bekijk aandachtig hoe de draad is ingereggen voordat u hem eruit haalt en vervangt door een spoel met een andere draad.

HET APPARAAT GEBRUIKEN (zonder voetpedaal)

Opgelet! Draai het handwiel altijd 2 tot 3 keer met de hand om te testen of hij gladjes loopt of niet voor de start van het apparaat. De richting waarin het handwiel moet worden gedraaid moet dezelfde zijn als de pijlrichting op het handwiel.

1. Til de naald boven de drukvoet door het handwiel een beetje te draaien.
2. Til de drukvoet op door de drukvoet hendel omhoog te tillen.
3. Plaats de te naaien stof onder de drukvoet.
4. Laat de drukvoet omlaag door de hendel voor de drukvoet naar beneden te laten zakken.
5. Draai het handwiel 2 à 3 keer.
6. Druk op de snelheidsregelaar om de gewenste snelheid te kiezen. De knop moet worden ingedrukt om de lage snelheid te kiezen; de knop moet worden losgelaten voor het instellen van de hoge snelheid. Gebruik de lage snelheid voor werkzaamheden waarbij u vaak moet stoppen, starten en draaien. Gebruik de hoge snelheid voor lange ononderbroken zomen.
7. Druk vervolgens de stroom aan-/uit-schakelaar op met de knop ingedrukt. Begeleid de stof voorzichtig om ervoor te zorgen dat de steek recht blijft en druk hem aan weerszijden een beetje naar beneden met de vingertoppen terwijl de stof onder de drukvoet glijdt.
8. Als de zoom af is, drukt u de stroom aan-/uit-schakelaar op uit met de knop losgelaten.
9. Haal de naald boven de stof door het handwiel een stukje te draaien.
10. Til de drukvoet op door de drukvoet hendel op te tillen.
11. Draai het handwiel naar achteren en naar voren, de draad laat dan makkelijk los. Trek de stof naar u toe en laat ongeveer 10 cm van de draden over tussen de stof en het apparaat. Als de stof niet zo makkelijk loslaat, laat u de bovenste draad een beetje los door de draad van rechts van de meeneem-hendel met de hand los te maken. **(Afb.3&4)**
12. Snijd de draden dicht bij de stof af. Leg de draden naar de achterkant van het apparaat onder door het naaldgat, en laat er ongeveer 10 cm hangen. Begin met de volgende zoom op dezelfde manier als hierboven beschreven.



Afb.3



Afb.4

Het voetpedaal gebruiken

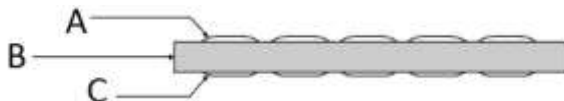
1. Zorg ervoor dat het apparaat is uitgeschakeld.
2. Steek het voetpedaal in het apparaat.
3. Zet het apparaat aan door op het voetpedaal te drukken. Druk zachtjes op het voetpedaal totdat het apparaat loopt.

Opgelet! Het voetpedaal en de stroom aan/uit-schakelaar kunnen niet gelijktijdig worden gebruikt. Als het voetpedaal wordt gebruikt, moet u de stroom aan-/uit-schakelaar op het apparaat op uit zetten. Dit voetpedaal wordt gebruikt om het apparaat aan en uit te schakelen. Het is niet de stroombron. Daarom mag u niet vergeten de adapter aan te sluiten of de batterijen te plaatsen als u het voetpedaal gebruikt.

De spanning aanpassen

1. De normale steek moet een gelijkmatige boven- en onderdraad hebben, geen van beiden mag te strak of te los zitten.

U mag de spanning niet aanpassen, omdat de spanning voor de beste resultaten is aangepast en ingesteld in de fabriek. Als u echter van mening bent dat de steken te los of te strak zitten als u verschillende soorten stof naait, kunt u de spanning aanpassen. (A= Bovendraad; B= Doek; C= Onderdraad.)



2. Als de onderste draad er uit ziet als een rechte lijn, geeft dit aan dat de bovenste draad te los is. Draai de spanningaanpassingsschroef niet te strak en niet te los met de klok mee om de druk te verhogen totdat de steek er normaal uit ziet.



3. Als de bovenste draad er echter als een rechte lijn uit ziet, geeft dit aan dat de bovenste draad te strak zit, draai de spanningaanpassingsschroef langzaam tegen de klok in om de druk te verminderen totdat de steek er weer normaal uit ziet.



Opgelet! Als de draad over de spanningaanpassingsschroef loopt, moet hij tussen de twee plaatjes achter de schroef worden geplaatst. Anders werkt het apparaat niet naar behoren.

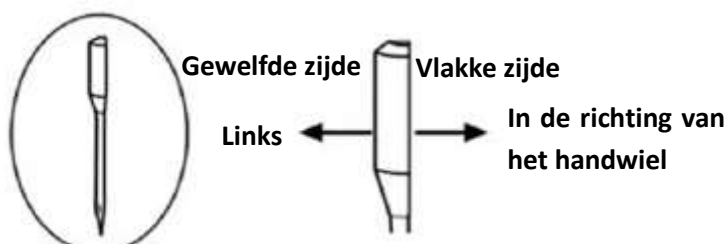
De naald vervangen

Als de naald breekt of als u een andere naald nodig heeft voor het naaien van andere soorten stoffen, moet u de naald vervangen.

Als u vervangende naalden nodig heeft, gebruik dan universele naalden van het type 90/14.

1. Verwijder de batterijen/adapter om er voor te zorgen dat het apparaat geen stroom meer krijgt.
2. Draai het handwiel om de naald in de hoogste positie te zetten.
3. Maakt de naaldklemschroef los met behulp van een korte sleufschroevendraaier.

4. Verwijder de naald door hem naar beneden uit de naaldklem te trekken.
 5. Plaats een nieuwe naald met de platte zijde tegen de naaldklem aan. Druk hem voorzichtig erin, zo ver als het gaat.
 6. Draai de naaldklemschroef vast terwijl u de naald op zijn plek houdt.
- Opgelet!** Als de draad over de naald gaat, moet hij door het gat van de naald van links naar rechts worden gestoken. Anders werkt het apparaat niet naar behoren.



Opgelet! u de naald plaatst moet u de vlakke zijde van de naald naar rechts (in de richting van het handwiel) en de gewelfde zijde naar links plaatsen. Anders werkt het apparaat niet.

De spoel opwickelen



De spoeloprolbalk wordt gebruikt voor het oprollen van uw eigen spoelen van de garenklossen die u apart heeft gekocht. Normaal gesproken is de balk verstopt in het handwiel. Als u een spoel moet oprollen:

1. Druk en houd de balk vast.
2. Draai de balk tegen de klok in; de balk komt er vervolgens uit.
3. Bevestig de lege spoel stevig op de balk en draai de draad met de klok mee 4 à 5 keer om de spoel.
4. Druk op de aan-/uit-schakelaar van het apparaat. De draad wordt automatisch opgerold. Houd de draad stevig vast en laat hem soepel door uw vingers glijden. Zie de bovenstaande afbeelding ter referentie. Rol de draad niet verder op de spoel op als de rand van de spoel.
5. Als u klaar bent schakelt u het apparaat uit. Snijd de draad door en haal de spoel eraf.
6. Druk de spoeloprolbalk in het handwiel en draai het met de klok mee om het weer te verstoppem.

Opgelet! Voordat u de spoel oprolt, moet u de onderste spoel eruit halen en de bovenste draad volledig verwijderen.

De zijspoel vervangen

1. Trek de spoelspil uit de spoelhouder.
2. Verwijder de spoel en vervang hem door een nieuwe.
3. Druk de spil met de nieuwe spoel terug in de spoelhouder.

Hoe wordt de naaldinrijger gebruikt

1. Steek de naaldinrijger in het gaatje van de naald, van rechts naar links.
2. Steek de draad in de naaldinrijger aan de linkerkant van de naald en trek de naaldinrijger vervolgens aan de rechterkant weer eruit.

Naaïen van mouwen



Het apparaat is zo ontworpen dat u mouwen makkelijk kunt naaien met de sleuf voor het naaien van mouwen. Volg de gebruiksinstructies om de mouwen te naaien.

Werklamp

Als u extra licht nodig heeft, drukt u op de lichtschaakelaar om het licht in te schakelen. Druk opnieuw op de schakelaar om het uit te schakelen.

Tips:

1. Het apparaat raakt beschadigd als het zonder geplaatste stof wordt gebruikt.
2. Schakel het apparaat onmiddellijk uit als u klaar bent met naaien.
3. Als de draad stuk gaat of uit het gaatje van de naald komt tijdens het naaien, moet u het apparaat onmiddellijk uitschakelen. Anders kan de draad verstrikt raken binnenin het apparaat en hier beschadigingen veroorzaken.

GEPASTE KLEDING OM TE NAAIEN

Voorstelling van te naaien doek Specificaties van stof	Katoen/Linnen	Zijde/Wol	Polyester	Elastiek
Normaal	√	×	√	△
Dik	√	×	√	△
Dun	√	×	×	×
Hard	√	√	√	△
Zacht	×	×	×	×

Naaidoeltreffendheid:

✓ : betekent eenvoudig te naaien

× : betekent moeilijk te naaien

△ : betekent niet soepel te naaien

Opmerking:**1. Bepaling van de stofdikte:**

Dun (stof): twee lagen van stofdikte < 0,35mm;

Dik (stof): twee lagen van stofdikte < 0,8mm;

Normaal (stof): twee lagen van stofdikte ≥ 0,35mm en ≤ 0,8mm.

2. Bepaling van elastische doek:

Als de doek, met een afmeting van „100 mm x 30 mm“, tot meer dan 106 mm wordt uitgetrokken bij een spankracht van 0,5 kg, dan is de doek elastisch, anders is het inelastisch.

3. Harde stof: zoals jeans, fijne canvas, etc.**4. Zachte stof: zoals handdoek, stofdoek, etc.****TECHNISCHE GEGEVENS**

Invoer van adapter: 100-240V~ 50/60Hz, 0.2A

Uitvoer van adapter: 6V DC, 800mA, 4.8W

Naaimachine: 6V DC, 800mA

GARANTIE EN KLANTENSERVICE

Vóór de levering worden onze apparaten streng gecontroleerd. Indien het toestel ondanks alle zorg bij de productie of tijdens het transport beschadigd werd, moet u het naar de handelaar terugbrengen. Naast het wettelijke recht op waarborg heeft de klant recht op de volgende garantieclaim:

Wij geven een garantie van 2 jaar op het toestel, te beginnen met de koopdatum. Indien u een defect product heeft, kunt u rechtstreeks terug gaan naar het aankooppunt.

Gebreken die het gevolg zijn van ondeskundig gebruik van het toestel, fouten tijdens ingrepen en reparaties door derden of door de inbouw van vreemde onderdelen, vallen niet onder deze garantie. Bewaar altijd uw aankoopnota, zonder aankoopnota kunt u geen aanspraak maken op enige vorm van garantie. Bij schade veroorzaakt door het niet opvolgen van de gebruiksaanwijzing vervalt het recht op garantie. Voor vervolgschade die hieruit ontstaat kunnen wij niet verantwoordelijk gehouden worden. Voor materiële schade of persoonlijk letsel veroorzaakt door ondeskundig gebruik of het niet opvolgen van de veiligheidsvoorschriften zijn wij niet aansprakelijk. In dergelijke gevallen vervalt iedere aanspraak op garantie. Schade aan accessoires of onderdelen betekend niet dat het gehele apparaat zal worden vervangen. Afgebroken glazen of kunststof onderdelen of accessoires vallen niet onder de garantie en zullen tegen vergoeding vervangen kunnen worden. Defecten aan hulpstukken of aan slijtage onderhevige onderdelen, alsmede reiniging, onderhoud of de vervanging van slijtende delen vallen niet onder de garantie en zullen dus in rekening gebracht worden.

MILIEUVRIENDELIJKE AFVALVERWERKING



Recycling – Europese Richtlijn 2012/19/EU

Deze markering betekent dat dit product niet samen met ander huishoudelijk afval mag worden afgedankt. Om het milieu en de volksgezondheid niet in gevaar te brengen en het hergebruik van grondstoffen te bevorderen, moet dit product op verantwoorde wijze worden afgevoerd. Lever verbruikte apparatuur a.u.b. in bij de hiervoor bestemde inzamelpunten of bij de winkel waar het product was aangeschaft. Zij zullen dit product accepteren voor milieuvriendelijke afvalverwerking.



RECYCLE OF GOOI DE BATTERIJ OP EEN JUISTE MANIER WEG. NIET OPENEN. NIET IN VUUR

GOOIEN OF KORTSLUITEN.

Emerio Deutschland GmbH (no service address)

Lerchenweg 3

40789 Monheim am Rhein

Deutschland

Klantendienst:

T: +49 (0) 3222 1097 600

E: info.de@emerio.eu

INSTRUKCJE DOTYCZĄCE BEZPIECZEŃSTWA

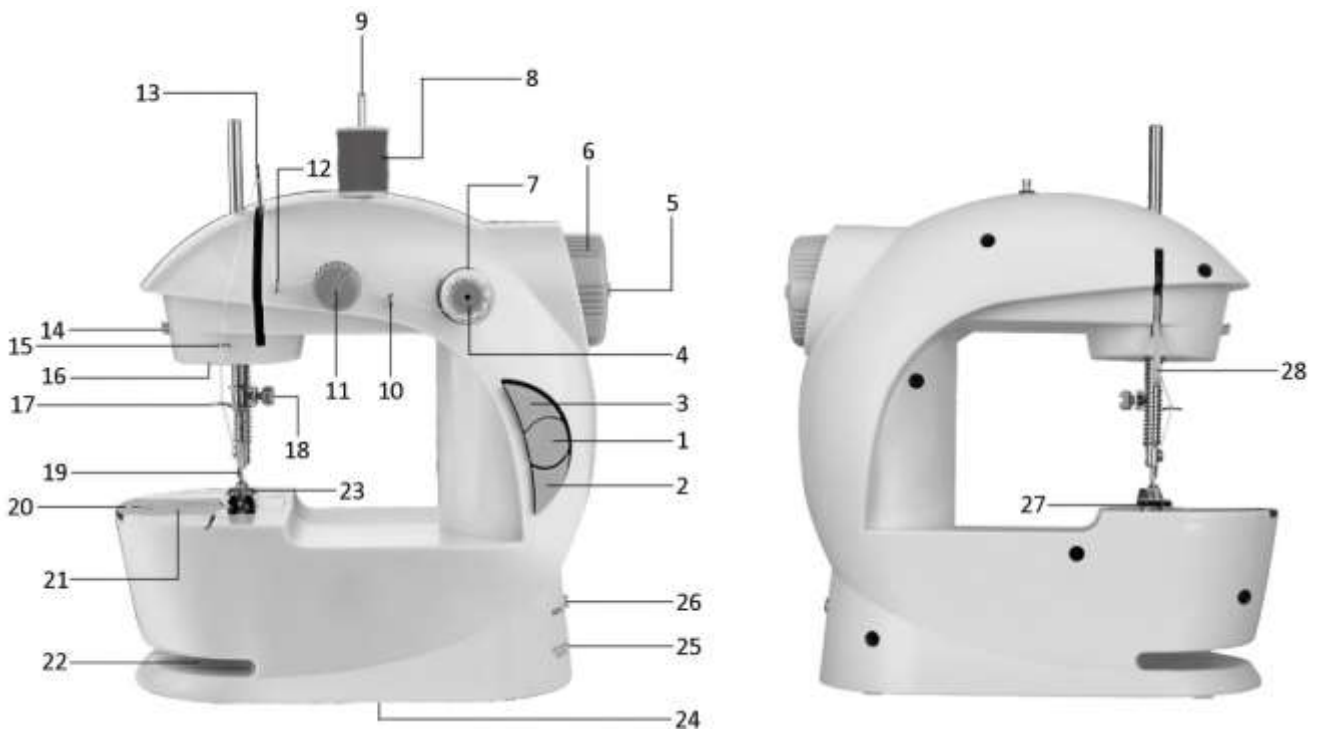
Aby nie dopuścić do urazów lub uszkodzeń oraz aby maksymalnie wykorzystać możliwości urządzenia, przed rozpoczęciem jego użytkowania należy przeczytać wszystkie poniższe zalecenia. Niniejszą instrukcję należy przechowywać w bezpiecznym miejscu. W przypadku przekazania lub odstąpienia komuś tego urządzenia, do urządzenia należy dołączyć również tę instrukcję.

W przypadku uszkodzenia spowodowanego nieprzestrzeganiem przez użytkownika zaleceń podanych w niniejszej instrukcji gwarancja nie ma zastosowania. Producent/importer nie ponosi odpowiedzialności za szkody spowodowane nieprzestrzeganiem podanych w instrukcji zaleceń, zaniedbaniami oraz użytkowaniem w sposób niezgodny z wymaganiami opisanymi w instrukcji.

1. Pod warunkiem zapewnienia odpowiedniego nadzoru, pouczenia na temat bezpiecznej obsługi i dopilnowania zrozumienia zagrożeń, urządzenie może być używane przez dzieci w wieku od lat 8, osoby o ograniczeniach fizycznych, czuciowych lub psychicznych, a także osoby, którym brak jest doświadczenia lub wiedzy.
2. Dzieci nie powinny bawić się urządzeniem.
3. Dzieci nie mogą bez nadzoru wykonywać czynności związanych z czyszczeniem i konserwacją.
4. **Urządzenie może być używane tylko z zasilaczem dostarczonym z urządzeniem.**
5. Zawsze wyłączaj urządzenie, odłącz zasilanie i pedał, gdy:
wymieniasz igłę,
nawlekasz igłę,
wymieniasz dolną szpulkę,
wymieniasz którąkolwiek część maszyny,
wkładasz lub wyjmujesz baterie,
czyścisz maszynę,
po każdym użyciu.
6. Nigdy nie używaj maszyny, kiedy igła jest nawleczona, ale pod igłą nie ma tkaniny. Może to uszkodzić maszynę.

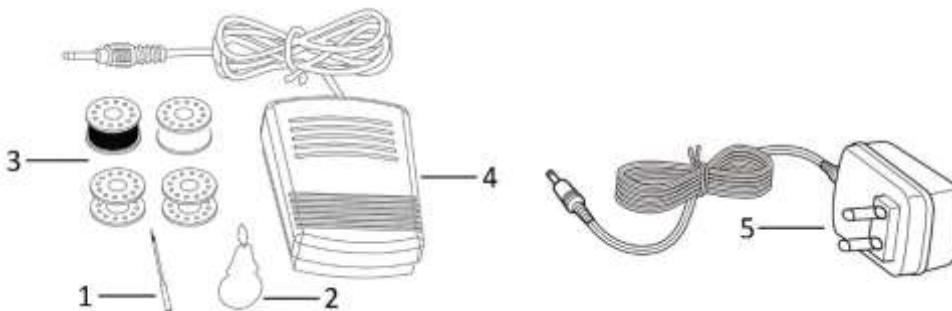
7. Nigdy nie należy otwierać obudowy urządzenia lub samodzielnie go naprawiać. Mogłoby to spowodować porażenie prądem.
8. Przed czyszczeniem lub konserwacją należy zawsze odłączyć urządzenie od zasilania.
9. Urządzenie nie zostało zaprojektowane do użytku komercyjnego.
10. Urządzenia nie należy używać na dworze.
11. Urządzenia nie należy używać do celów, do których nie jest ono przeznaczone.
12. Nigdy nie należy używać urządzenia, jeśli jest ono w jakikolwiek sposób uszkodzone.
13. Podczas szycia nie naciągaj tkaniny. Naciąganie tkaniny może złamać igłę i uszkodzić maszynę.
14. Wyjmij baterie kiedy maszyna nie jest używana przez dłuższy czas. W ten sposób oszczędzasz baterie i chronisz maszynę. Nie mieszaj nowych i starych baterii.
15. Trzymaj z dala od dzieci. Urządzenie nie jest zabawką i nie może być używane przez dzieci lub w ich pobliżu.
16. Urządzenia ani żadnych jego części nie należy nigdy zanurzać w wodzie. Nie obsługuj maszyny mokrymi rękami, bez butów lub kiedy stoisz na mokrym lub wilgotnym podłożu i używasz adaptera.
17. Nigdy nie używaj maszyny z uszkodzonym przewodem zasilającym lub wtyczką.
18. Trzymaj przewód zasilający z dala od gorących powierzchni.
19. W celu wyjęcia wtyczki z kontaktu należy ciągnąć za wtyczkę. Nie należy ciągnąć za przewód zasilający.
20. Używaj tylko adaptera zasilania zalecanego przez producenta. Każdy inny adapter może spowodować obrażenia ciała lub uszkodzić urządzenie.
21. Wyłącz lub odłącz urządzenie od zasilania kiedy pozostawiasz je bez nadzoru.
22. Upewnij się, czy podczas kiedy maszyna pracuje, pod igłą znajduje się tkanina; a igła się porusza. W przeciwnym razie maszyna zatnie się, a nić zostanie zablokowana.
23. Jeśli urządzenie zatnie się lub zablokuje z powodu niewłaściwej obsługi, natychmiast wyłącz ją przełącznikiem zasilania.

CZĘŚCI SKŁADOWE



- | | | |
|---|-------------------------------|---|
| 1. Przełącznik zasilania (wł./wył.) | 10. Pierścień prowadnika nici | 22. Szczelina ułatwiająca szycie rękawów |
| 2. Przełącznik prędkości | 11. Pokrętło naprężenia nici | 23. Stopka |
| 3. Włącznik światła (wł./wył.) | 12. Pierścień prowadnika nici | 24. Komora baterii (pod spodem) |
| 4. Trzpień szpulki | 13. Dźwignia podnoszenia | 25. Gniazdo DC do adaptera |
| 5. Drążek nawijarki szpulki (można wcisnąć) | 14. Przecinak nici | 26. Gniazdo pedału |
| 6. Koło ręczne | 15. Pierścień prowadnika nici | 27. Szczelina nici (szczelina między stopką a powierzchnią do szycia) |
| 7. Szpulka boczna | 16. Światło | 28. Dźwignia stopki |
| 8. Szpulka nici (niedostarczona w zestawie) | 17. Zacisk igły | |
| 9. Szpulownik | 18. Śruba zaciskowa igły | |
| | 19. Igła | |
| | 20. Pokrywa komory szpulki | |
| | 21. Dolna szpulka (wewnątrz) | |

Akcesoria



1. Igła
2. Nawlekacz igły
3. Cztery metalowe szpulki
4. Rozrusznik nożny / pedał
5. Adapter

Po wyjęciu maszyny z opakowania:

1. Przed włożeniem baterii upewnij się, że przełącznik jest w pozycji wył. (OFF).
2. Włóż 4 baterie AA do komory baterii.
3. Aby włączyć zasilanie, naciśnij przełącznik wł./wył. Maszyna natychmiast zacznie szyć. Przed włączeniem maszyny upewnij się, że igła jest prawidłowo nawleczona, a tkanina gotowa do szycia.
4. Ostrzeżenie! Kiedy używasz adaptera, wyjmij baterie z komory.

NAWLEKANIE NITKI

Maszyna szyje dwoma nitkami. Pierwsza z nich to nić górna. Nić ta rozwija się z bocznej szpulki lub szpulki nici. Druga z nich to nić dolna. Rozwija się z dolnej szpulki.

Górna nić:



Po wyjęciu urządzenia z opakowania zauważysz, że nitka ta jest już nawleczona (patrz kierunek 1-8 pokazany na zdjęciu). Aby rozpocząć szycie, możesz od razu użyć bocznej szpulki. Możesz również użyć szpulki nici, którą kupisz oddzielnie, aby rozpocząć szycie:

Krok 1: Podnieś trzpień nici chwytając za odsłoniętą część i pociągnij w górę, aż trzpień nici zostanie całkowicie wysunięty.

Krok 2: Umieść szpulkę nici na trzpieniu.

Krok 3: Wyciągnij nić ze szpulki nici i przełóż ją przez pierścienie prowadnika nici, pokrętko regulujące naprężenie, dźwignię podnoszenia, zacisk igły i igłę, zgodnie z kierunkiem 2-8 pokazanym na rysunku.

Uwaga! Gdy nić przechodzi przez igłę, należy ją przełożyć przez otwór od lewej strony do prawej. Inaczej maszyna nie będzie działać prawidłowo.

Uwaga: Gdy nić przechodzi przez pokrętko regulujące naprężenie, musi być ona umieszczona między dwiema podkładkami za śrubą. Zapewnia to naprężenie nici.

Przed użyciem należy się upewnić, że nić jest prawidłowo nawleczona. (Postępuj krok po kroku, nie zapomnij o żadnym etapie i uważaj, aby prawidłowo poprowadzić nić kroku I. Pozostaw około 10 cm zwisającej nici.

Dolna nić (dolna komora szpulki):

1. Zdejmij pokrywę z komory na szpulkę.
2. Umieść wybraną szpulkę nici w komorze tak, aby nitka obracała się w lewo. Pozostaw około 5 cm nienawiniętej nitki. **(rys.1)**
3. Przytrzymaj koniec górnej nici jedną ręką, a drugą obróć koło ręczne kilka razy. Górna nić podniesie dolną nić i wyciągnie ją przez otwór pod igłą.
4. Zamknij pokrywę komory na szpulkę. Rozdziel dwie nici, a następnie pociągnij je do tyłu maszyny pod szczelinę nici, pozostawiając około 10 cm luźnej nici. **(rys. 2)**

Uwaga! Przed rozpoczęciem szycia zawsze przetestuj koło ręczne obracając je 2-3 razy, aby upewnić się, czy porusza się płynnie. Obracaj koło w tym samym kierunku, co strzałki umieszczone na kole.



rys. 1



rys. 2

Ważne! Sprawdź i upewnij się, że górna i dolna nić przemieszczają się prawidłowo. Przed rozpoczęciem szycia zrób test na kawałku starej tkaniny. Niewłaściwie nawleczona nić spowoduje uszkodzenie stębnówki.

Nitka mogła zostać nawleczona w maszynie fabrycznie. Uważnie przyjrzyj się, w jaki sposób nitka została nawleczona nim wymienisz nić lub szpulkę.

OBSŁUGA URZĄDZENIA (bez pedału)

Uwaga! Przed rozpoczęciem szycia zawsze przetestuj koło ręczne obracając je 2-3 razy, aby upewnić się, czy porusza się płynnie. Obracaj koło w tym samym kierunku, co strzałki umieszczone na kole.

1. Unieś igłę nad stopkę, lekko obracając koło.
2. Podnieś stopkę, podnosząc dźwignię stopki.
3. Umieść tkaninę do szycia pod stopką.
4. Opuść stopkę, zwalniając dźwignię stopki w dół.
5. Obróć koło ręczne 2-3 razy.
6. Naciśnij przycisk regulacji prędkości, aby ustawić żądaną prędkość szycia. Przycisk jest wciśnięty przy wyborze niskiej prędkości; przycisk należy zwolnić przy wyborze wysokiej prędkości. Używaj niskiej prędkości do skomplikowanej pracy, która wymaga wielokrotnego zatrzymywania, uruchamiania i skręcania. Używaj dużej prędkości do długich szwów niewymagających przerywania pracy.
7. Teraz wciśnij przełącznik wł./wył. Powoli przesuwaj tkaninę tak, aby szwy były proste, przyciskając lekko opuszkami palców po obu stronach, gdy tkanina przechodzi przez stopkę.
8. Po zakończeniu szwu naciśnij przełącznik wł./wył. zwalniając przycisk.
9. Unieś igłę nad tkaninę lekko obracając koło.
10. Podnieś stopkę, podnosząc dźwignię stopki.
11. Przekręć koło do tyłu i do przodu, nitka łatwo się uwolni. Pociągnij tkaninę do siebie, pozostawiając około 10 cm nitki między tkaniną a maszyną. Jeśli wyciągnięcie tkaniny sprawia trudność, zwolnij nieco górną nić, ręcznie poluzowując nić od prawej strony dźwigni podnoszenia. **(rys. 3 i 4)**
12. Utnij nić blisko tkaniny. Przełóż nici na tył maszyny pod szczelinę nici, pozostawiając około 10 cm luźno zwieszającej się nici. Rozpocznij następny szew w taki sam sposób, jak powyżej, wykonując ponownie opisane kroki.



rys. 3



rys. 4

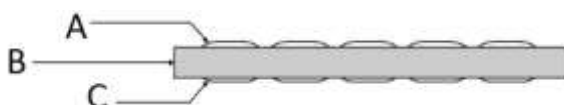
Używanie pedału

1. Upewnij się, że maszyna jest wyłączona.
2. Podłącz przewód pedału do gniazda w maszynie.
3. Włącz maszynę naciskając pedał. Naciskaj lekko pedał, aby uruchomić maszynę.

Uwaga! Pedału i przełącznika wł/wył. na maszynie nie można używać jednocześnie. Gdy używany jest pedał, przełącznik wł./wył. na maszynie musi znajdować się w pozycji wyłączonej. Pedał służy do sterowania włączaniem/wyłączaniem zasilania. Nie jest on źródłem zasilania. Dlatego nie zapomnij podłączyć adaptera lub włożyć baterii kiedy używasz pedału.

Regulacja naprężenia

1. Dolna i górna nić ściegu powinny być równomierne, ani zbyt ściągnięte, ani zbyt luźne.
Nie należy regulować naprężenia, ponieważ dla zapewnienia maksymalnej wydajności zostało ono ustawione i dostosowane fabrycznie. Jeśli jednak ściegi są zbyt luźne lub zbyt ciasne podczas szycia różnych tkanin, naprężenie można dostosować. (A= górna nić; B= tkanina; C= dolna nić.)



2. Jeśli dolny ścieg wygląda jak linia prosta, oznacza to, że górna nić jest zbyt luźna. Obróć powoli pokrętko naprężenia nici w prawo, aby zwiększyć naprężenie, aż szycie powróci do normalnego ściegu.



3. Jednakże, gdy górny ścieg wygląda jak linia prosta, oznacza to, że górną nić jest zbyt naciągnięta. Powoli przekręć pokrętko naprężenia nici w lewo, aby zmniejszyć naprężenie, aż szycie powróci do normalnego ściegu.



Uwaga! Gdy nić przechodzi przez pokrętko regulujące naprężenie, musi być umieszczona między dwiema podkładkami za pokrętkiem. Inaczej maszyna nie będzie działać prawidłowo.

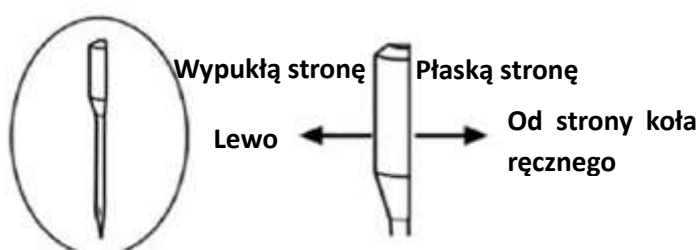
Wymiana igły

Jeśli igła się złamała lub jeśli potrzebujesz innej igły do szycia innego rodzaju tkaniny, wymień igłę.

Jeśli potrzebne będą igły na wymianę, prosimy używać igieł uniwersalnych typu 90/14.

1. Wyjmij baterie lub odłącz adapter, aby upewnić się, że urządzenie jest całkowicie wyłączone.
2. Obróć koło ręczne, aby podnieść igłę do najwyższej pozycji.
3. Poluzuj śrubę zacisku igły krótkim śrubokrętem.
4. Usuń igłę wysuwając ją w dół z uchwytu igły.
5. Umieść nową igłę płaską stroną skierowaną w stronę zacisku igły. Wciśnij delikatnie do oporu.
6. Dokręć śrubę mocującą igłę, przytrzymując igłę na miejscu.

Uwaga! Nić należy przełożyć przez otwór igły od lewej strony do prawej. Inaczej maszyna nie będzie działać prawidłowo.



Uwaga! Instalując igłę obróć płaską stronę igły w prawo (od strony koła ręcznego), a wypukłą stronę w lewo. Inaczej urządzenie nie włączy się.

Nawijanie szpulki



Drążek nawijarki szpulki służy do nawijania własnych szpułek ze szpul nici zakupionych oddzielnie. Zwykle drążek jest ukryty w kole ręcznym. Kiedy musisz nawinąć szpulkę:

1. naciśnij i przytrzymaj drążek.
2. Przekręć drążek w prawo, drążek wysunie się.
3. Mocno wciśnij pustą szpulkę na drążek i nawiń na nią nitkę w prawo 4-5 razy.
4. Aby włączyć zasilanie, nacisnąc przełącznik wł./wył. Nici zostanie automatycznie nawinięta. Trzymaj nici lekko i delikatnie prowadź ją palcem. Zobacz rysunek powyżej. Nie nawijaj nici na krawędź szpulki.
5. Kiedy skończysz, wyłącz zasilanie, naciskając przełącznik wł./wył. Odetnij nitkę i zdejmij szpulkę.
6. Wciśnij drążek nawijarki szpulki do koła ręcznego i przekręć w prawo, aby go ukryć.

Uwaga! Przed nawinięciem szpulki należy wyjąć dolną szpulkę i całkowicie usunąć górną nici.

Wymiana szpulki bocznej

1. Wyciągnij trzpień szpulki z uchwytu szpulki.
2. Zdejmij szpulkę i wymień ją na nową.
3. Wciśnij trzpień z nową szpulką z powrotem do uchwytu szpulki.

Jak używać nawlekacza igły

1. Włóż nawlekacz igły w ucho igły od prawej strony.
2. Włóż nici do nawlekacza igły po lewej stronie igły, a następnie pociągnij nawlekacz w prawą stronę.

Szycie rękawów



Urządzenie zostało zaprojektowane tak, aby ułatwić szycie rękawów dzięki specjalnej szczelinie. Postępuj zgodnie z instrukcjami, aby szyc rękawy.

Lampka robocza

Jeśli potrzebne jest dodatkowe źródło światła, naciśnij włącznik światła. Naciśnij przycisk jeszcze raz, aby je wyłączyć.

Porady:

1. Maszyna zostanie uszkodzona, jeśli działa bez tkaniny.
2. Wyłącz maszynę natychmiast po zakończeniu szycia.
3. Jeśli podczas szycia nić zerwie się lub wysunie z ucha igły, natychmiast wyłącz urządzenie. W przeciwnym razie nić może zaplątać się we wnętrzu maszyny i uszkodzić ją.

DOBÓR ŚCIEGU DO RODZAJU TKANINY

Szycie Opis Tkanina - opis	Tkanina bawełna/len	jedwab/wełna	poliester	tkanina elastyczna
normalna	√	×	√	△
gruba	√	×	√	△
cienka	√	×	×	×
twarda	√	√	√	△
miękka	×	×	×	×

Stopień trudności szycia:

√ : oznacza łatwe do szycia

×

△ : oznacza, że nie szyje się gładko

Uwaga:**1. Definicja grubości tkaniny:**

Cienka: dwie warstwy o grubości poniżej 0,35 mm

Gruba: dwie warstwy o grubości powyżej 0,8 mm

Normalna: dwie warstwy o grubości większej lub równej 0,35 mm i mniejszej lub równej 0,8 mm.

2. Definicja tkaniny elastycznej:

Jeśli tkanina o rozmiarach 100 mm x 30 mm, rozciąga się na ponad 106 mm przy sile naciągu 0,5 kg, jest definiowana jako elastyczna, w przeciwnym przypadku jest nieelastyczna.

3. Twarda tkanina: dżins, płótno, itp.**4. Miękka tkanina: ręcznik, ścierka**

DANE TECHNICZNE

Wejście zasilacza: 100-240V~ 50/60Hz, 0.2A

Wyjście zasilacza: 6V DC, 800mA, 4.8W

Maszyna do szycia: 6V DC, 800mA

GWARANCJA I SERWIS KONSUMENCKI

Przed dostarczeniem do klienta nasze urządzenia poddawane są rygorystycznej kontroli jakości. Jeśli, pomimo wszelkich starań, podczas produkcji lub transportu pojawi się uszkodzenie, należy zwrócić urządzenie do sprzedawcy. Dodatkowo do stosowanych powszechnie przepisów, nabywca ma prawo do reklamacji na podstawie warunków niniejszej gwarancji:

Dla każdego zakupionego urządzenia zapewniamy 2 lata gwarancji, poczynając od dnia zakupu. Uszkodzony produkt można zwrócić bezpośrednio w punkcie zakupu.

Niniejsza gwarancja nie obejmuje uszkodzeń spowodowanych niewłaściwą obsługą urządzenia, usterek w wyniku modyfikacji i napraw wykonanych przez strony trzecie lub w wyniku użycia nieoryginalnych części. Należy zachować dowód zakupu, który jest jedyną podstawą złożenia roszczenia gwarancyjnego. Producent nie ponosi odpowiedzialności za uszkodzenia powstałe w wyniku nieprzestrzegania instrukcji obsługi. Powoduje to unieważnienie gwarancji. Producent nie ponosi odpowiedzialności za szkody materiałowe ani obrażenia ciała spowodowane niewłaściwą obsługą urządzenia i nieprzestrzeganiem instrukcji obsługi. Uszkodzenie akcesoriów nie oznacza bezpłatnej wymiany całego urządzenia. W takim wypadku prosimy o kontakt z naszym serwisem. Stłuczone elementy szklane lub pęknięte elementy plastikowe są wymieniane za opłatą. Uszkodzenia materiałów eksploatacyjnych lub części podlegających zużyciu, a także czyszczenie, konserwacja i wymiana wspomnianych części nie jest objęta gwarancją i podlega opłacie.

USUWANIE PRZYJAZNE ŚRODOWISKU



Recykling – Dyrektywa europejska nr 2012/19/UE

Ten znak oznacza, że urządzenia nie należy wyrzucać razem z innymi odpadami domowymi. Aby zapobiec możliwym szkodom dla środowiska i zdrowia ludzi spowodowanym niekontrolowaną utylizacją odpadów, poddaj produkt procesowi recyklingu w celu promowania zrównoważonego ponownego wykorzystywania zasobów materiałowych. Aby zwrócić zużyte urządzenie, skorzystaj z systemu oddawania zużytych produktów lub skontaktuj się ze sprzedawcą. Sprzedawca może przyjąć produkt w celu przeprowadzenia bezpiecznego dla środowiska recyklingu.



BATERIĘ NALEŻY ODPOWIEDNIO ZUTYLIZOWAĆ LUB PODDAĆ RECYKLINGOWI. NIE OTWIERAĆ. NIE WRZUCAĆ DO OGNIA, NIE ZWIERAĆ STYKÓW.

Emerio Deutschland GmbH (nie adres serwisowy)

Lerchenweg 3

40789 Monheim am Rhein

Niemcy

Dział obsługi klienta:

T: +49 (0) 3222 1097 600

E: info.de@emerio.eu

ПРАВИЛА БЕЗОПАСНОСТИ

Перед использованием обязательно прочитайте все приведенные ниже инструкции, чтобы избежать травм или повреждений и получить наилучшие результаты от прибора. Храните данное руководство в надежном месте. Если вы передаете это устройство кому-либо другому, обязательно включите в него данное руководство.

В случае повреждения, вызванного несоблюдением инструкций данного руководства, гарантия аннулируется. Изготовитель / импортер не несет ответственности за ущерб, причиненный несоблюдением руководства, небрежным использованием или использованием, не соответствующим требованиям настоящего руководства.

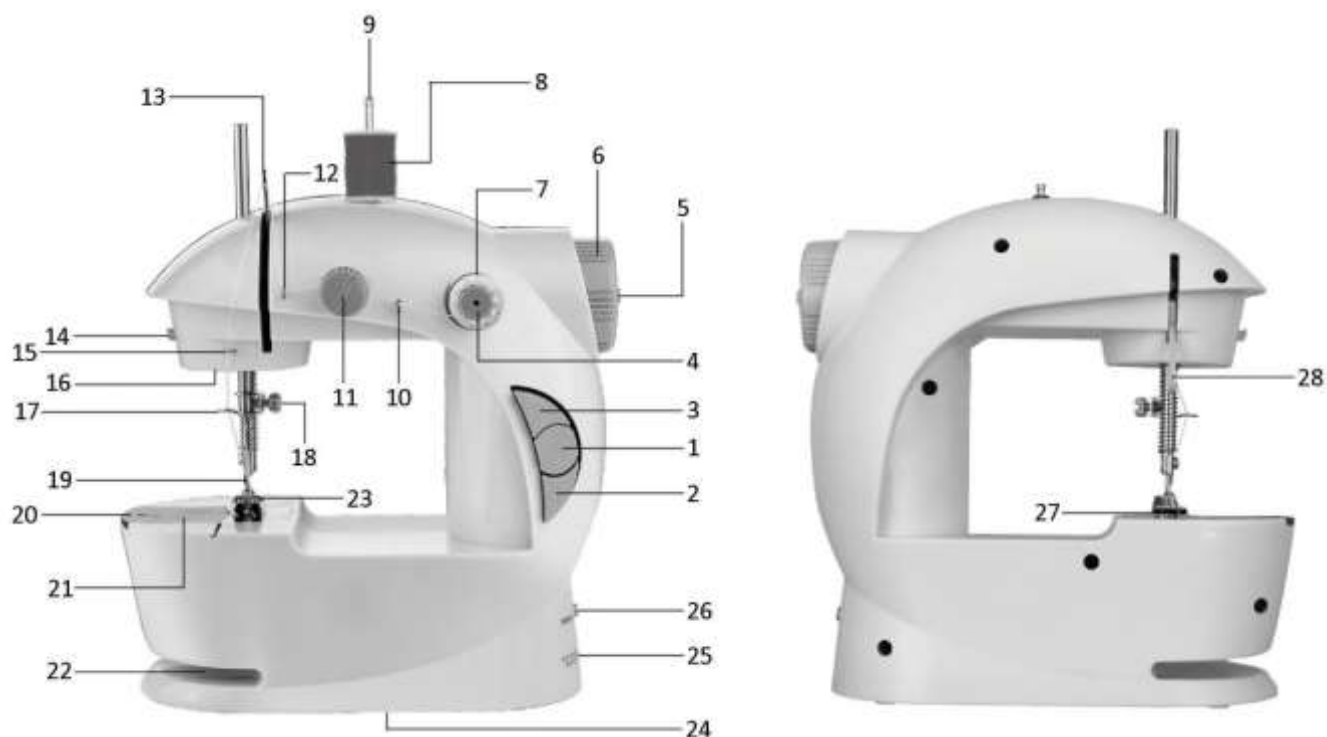
1. Этим прибором могут пользоваться дети в возрасте от 8 лет и старше, а также лица с ограниченными физическими возможностями, сенсорными или умственными способностями или отсутствием опыта и знаний, в случае, если они находятся под наблюдением, проинструктированы по безопасному использованию прибора и понимают связанные с этим опасности.
2. Дети не должны играть с прибором.
3. Очистка прибора не должно производиться детьми без присмотра взрослых.
4. **Прибор должен использоваться только с блоком питания, поставляемым с прибором.**
5. Всегда выключайте машину, отсоединяйте от источника питания, снимайте ножную педаль, когда производится:
 - замена иглы;
 - заправка иглы;
 - смена нижней шпульки;
 - замена любых деталей;

установка или удаление батарей;
чистка машины;
после каждого использования.

6. Никогда не запускайте машину, когда в игле есть нить, но нет ткани. Это может повредить машину.
7. Никогда не пытайтесь открыть корпус прибора или отремонтировать прибор самостоятельно. Это может привести к поражению электрическим током.
8. Отключите прибор от сети перед выполнением технического обслуживания.
9. Этот прибор не предназначен для коммерческого использования.
10. Не используйте прибор на открытом воздухе.
11. Не используйте прибор не по назначению.
12. Никогда не используйте прибор, если он поврежден.
13. Не тяните ткань во время шитья. Натяжение может сломать иглы и привести к повреждению прибора.
14. Извлекайте батареи, если прибор не используется длительный период. Это экономит заряд батареи и защищает прибор. Новые и израсходованные батареи нельзя использовать вместе.
15. Хранить вдали от детей. Этот прибор не игрушка, и не предназначен для использования детьми или рядом с ними.
16. Не погружайте прибор или любые детали в воду. Не используйте прибор мокрыми руками, без обуви, или стоя в воде или на мокрой поверхности, когда используется адаптер.
17. Никогда не используйте прибор с поврежденным шнуром питания или штекером.
18. Держите шнур питания вдали от нагреваемой поверхности.
19. Чтобы вынуть вилку из розетки, вытащите штекер, не тяните за шнур питания.

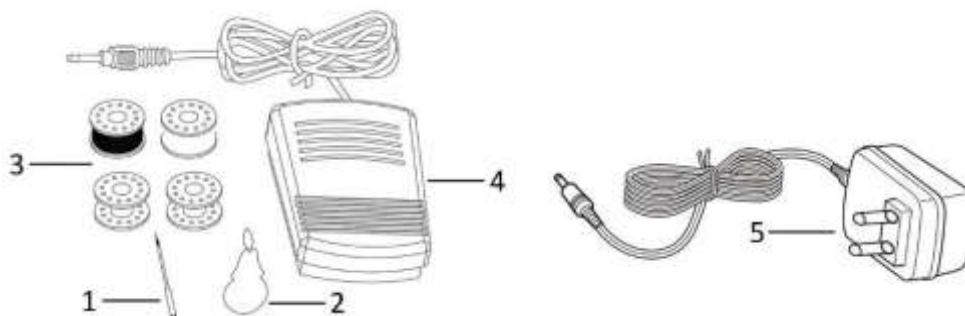
20. Используйте только адаптер питания, рекомендованный производителем. Любой другой адаптер может привести к травмам или повреждению прибора.
21. Отключите прибор или вытащите штекер прибора из сети, если оставляете прибор без присмотра.
22. Убедитесь, что под иглой есть ткань, когда прибор работает, а игла движется. Иначе прибор застопорится, и нить заклинит.
23. Если прибор застопорился или его заклинило из-за неправильно работы, немедленно выключите кнопку питания.

ОПИСАНИЕ ДЕТАЛЕЙ



- | | | |
|--|-----------------------------------|---|
| 1. Переключатель питания
ВКЛ./ВЫКЛ. | 9. Стержень для нити | 21. Нижняя катушка (внутри) |
| 2. Переключатель скорости | 10. Нитепритягиватель | 22. Прорезь для шитья рукавов |
| 3. Переключатель света
ВКЛ./ВЫКЛ. | 11. Винт регулировки
натяжения | 23. Лапка |
| 4. Стержень для шпульки | 12. Нитепритягиватель | 24. Батарейный отсек (в нижней
части машины) |
| 5. Держатель для стержня
шпульки (может быть
извлечено наружу) | 13. Рычаг захвата | 25. Разъем постоянного тока
для адаптера |
| 6. Маховик | 14. Нитеобрезатель | 26. Гнездо ножной педали |
| 7. Боковая катушка | 15. Нитепритягиватель | 27. Зазор для нити (зазор
между лапкой и швейной
зоной) |
| 8. Катушка с ниткой (не
включено) | 16. Свет | 28. Рычаг лапки |
| | 17. Иголдержатель | |
| | 18. Винт иглодержателя | |
| | 19. Игла | |
| | 20. Крышка шпульного отсека | |

Аксессуары



1. Игла
2. Нитевдеватель
3. Четыре металлические катушки
4. Ножная педаль
5. Адаптер

После извлечения прибора из упаковки:

1. Убедитесь, что переключатель питания находится в выключенном положении, прежде чем вставлять батареи.
2. Вставьте 4 батарейки АА в батарейный отсек.
3. Нажмите переключатель питания, чтобы включить прибор. Машина готова к шитью. Убедитесь, что машина правильно заправлена, и ткань установлена для шитья, прежде чем включать устройство.
4. Внимание! При использовании адаптера выньте все батареи из прибора.

УСТАНОВКА НИТИ

Машина работает с двумя нитями. Первая – это верхняя нить. Эта нить идет от боковой катушки или шпульки. Другая – это нижняя нить. Эта нить идет от нижней катушки.

Верхняя нить:



После извлечения машины из упаковочной коробки вы обнаружите, что в машину уже заправлена нить (см. Направление 1-8, показанное на рисунке). Вы можете сразу использовать боковую катушку, чтобы начать шить. Вы также можете использовать катушку ниток, которую вы покупаете отдельно, чтобы начать шить:

Шаг 1: Поднимите стержень для нити, взявшись за открытую верхнюю часть, и потяните вверх, пока стержень не будет вытянут полностью.

Шаг 2: Поместите катушку на стержень для нити.

Шаг 3: Вытяните нить из катушки и проденьте ее через кольца нитенаправителя, винт регулировки натяжения, рычаг натяжения, иглодержатель и иглу в направлении 2-8, показанном на рисунке.

Внимание! Когда нить проходит над иглой, ее необходимо пропустить через отверстие слева направо. В противном случае прибор не будет работать должным образом.

Примечание. Когда нить проходит через регулировочный винт натяжения, она должна располагаться между двумя шайбами позади винта. Это обеспечивает натяжение нити.

Убедитесь, что прибор заправлен правильно. (Шаг за шагом, не забывайте ни о каком шаге или неправильном положении нити.) Оставьте около 10 см нити свободно свисающими.

Нижняя нить (размещение нижней катушки):

1. Снимите крышку шпульного отсека.
2. Поместите выбранную шпульку в шпульный отсек так, чтобы нить шла против часовой стрелки. Оставьте около 5 см нити. **(Рисунок 1)**
3. Удерживая конец верхней нити одной рукой, поверните маховик другой рукой на несколько кругов. Верхняя нить подхватит нижнюю нить и вытянет ее через отверстие под иглой.
4. Установите крышку шпульного отсека. Разделите две нити, а затем потяните их вместе к задней части прибора через отверстие для нити, оставив около 10 см. **(Рисунок.2)**

Внимание! Всегда прокручивайте маховик рукой на 2 - 3 круга, чтобы проверить, плавно ли он вращается перед запуском прибора. Направление вращения маховика должно совпадать с направлением стрелок на маховике.



Рисунок 1



Рисунок 2

Важно! Проверьте и убедитесь, что верхняя и нижняя нити идут правильно. Проверьте один кусок старой ткани перед началом шитья. Неправильная заправка приведет к повреждению стежка. Возможно, прибор был предварительно заправлен на заводе. Внимательно посмотрите на эту нить, прежде чем снимать ее, чтобы заменить нить или шпульку другой нитью.

ИСПОЛЬЗОВАНИЕ МАШИНЫ (без ножной педали)

Внимание! Всегда прокручивайте маховик рукой на 2 - 3 круга, чтобы проверить, плавно ли он вращается перед запуском прибора. Направление вращения маховика должно совпадать с направлением стрелок на маховике.

1. Поднимите иглу над лапкой, слегка повернув маховик.
2. Поднимите лапку, подняв рычаг лапки.
3. Поместите ткань для шитья под лапку.
4. Опустите лапку, отпустив рычаг лапки вниз.
5. Поверните маховик на 2–3 круга.
6. Нажмите переключатель скорости, чтобы выбрать желаемую скорость. Кнопка нажата при выборе низкой скорости; кнопка высвобождается при выборе высокой скорости. Используйте низкую скорость для сложной работы, которая требует много остановок, запуска и поворотов. Используйте высокую скорость для длинных непрерывных швов.
7. Теперь нажмите переключатель питания во включенное положение с нажатой кнопкой. Аккуратно направьте ткань, чтобы сохранить прямую строчку, слегка прижимая кончиками пальцев с обеих сторон, когда она проходит через лапку.
8. Когда шов закончится, переведите переключатель питания в положение выключения, отпустив кнопку.
9. Поднимите иглу над тканью, слегка повернув маховик.
10. Поднимите лапку, подняв рычаг лапки.
11. Поверните маховик назад и вперед, нить легко освободится. Потяните ткань на себя, оставив около 10 см нитей между тканью и прибором. Если ткань трудно вынуть, немного высвободите верхнюю нить, ослабив нить с правой стороны рычага. **(Рисунок 3 и 4).**
12. Обрежьте нити близко к ткани. Поместите нити в заднюю часть прибора через зазор, оставляя около 10 см свободно свисающими. Начните следующий шов так же, как описано выше, снова выполнив те же действия.



Рисунок 3



Рисунок 4

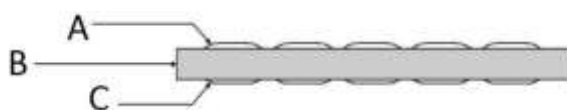
Использование ножной педали

1. Убедитесь, что прибор выключен.
2. Вставьте ножную педаль в прибор.
3. Мягко нажмите на педаль, чтобы запустить машину.

Внимание! Ножная педаль и переключатель питания не могут использоваться одновременно. Когда ножная педаль используется, пожалуйста, переведите переключатель питания в положение выключения на приборе. Ножная педаль используется для управления включением / выключением питания. Это не источник питания. Поэтому не забывайте подключать адаптер или вставлять батарейки при использовании ножной педали.

Регулировка натяжения

1. В нормальной строчке обе нити равномерны, ни слишком стянуты, ни слишком свободны. Вы не должны регулировать натяжение, поскольку натяжение для максимальной производительности было установлено и отрегулировано на заводе. Если Вы считаете, что шов получается слишком слабым или слишком натянутым, Вы можете отрегулировать натяжение нити для получения желаемого шва. (A = Верхняя нить; B = Ткань; C = Нижняя нить.)



2. Если нижняя нить выглядит как прямая линия, это указывает на то, что верхняя нить слишком свободна. Пожалуйста, поверните винт регулировки натяжения, не слишком затягивая и не ослабляя по часовой стрелке, чтобы увеличить давление, пока шов не вернется к норме.



3. Однако, когда верхняя нить выглядит как прямая линия, это указывает на чрезмерное натяжение верхней нити, медленно поворачивайте винт регулировки натяжения против часовой стрелки, чтобы уменьшить давление, пока шов не вернется в норму.



Внимание! Когда нить проходит через регулировочный винт натяжения, она должна располагаться между двумя шайбами позади винта. В противном случае прибор не будет работать должным образом.

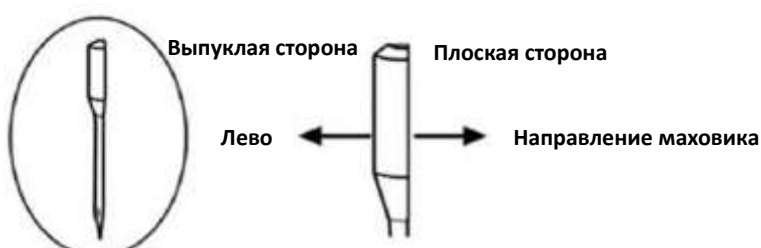
Смена иглы.

Если игла сломалась или вам нужна другая игла для шитья ткани другого типа - замените иглу:

Если необходимы сменные иглы, используйте универсальные иглы типа 90/14.

1. Извлеките батареи / адаптер, чтобы убедиться, что прибор полностью выключен.
2. Поверните маховик, чтобы поднять иглу в крайнее верхнее положение.
3. Ослабьте винт иглодержателя короткой отверткой.
4. Извлеките иглу, потянув ее вниз от иглодержателя.
5. Поместите новую иглу плоской стороной к иглодержателю. Осторожно направьте иглу.
6. Затяните винт иглодержателя, удерживая иглу на месте.

Внимание! Когда нить проходит над иглой, ее необходимо пропустить через отверстие слева направо. В противном случае прибор не будет работать должным образом.



Внимание! При установке иглы поверните плоскую сторону иглы вправо (направление маховика).

Намотка шпулек



Стержень для намотки шпулек используется для намотки ваших собственных шпулек из катушек с нитками, которые вы приобретаете отдельно. Обычно планка спрятана в маховик. Когда вам нужно намотать шпульку:

1. Нажмите и удерживайте стержень шпульки.
2. Поверните стержень против часовой стрелки; стержень выскочит.
3. Надежно прикрепите пустую шпульку к стержню и намотайте на нее нить по часовой стрелке, 4–5 кругов.
4. Нажмите переключатель, чтобы включить прибор. Нить будет наматываться автоматически. Слегка придерживайте нить и осторожно натяните ее пальцем. См эталонное изображение, как указано выше. Не наматывайте нить на край шпульки.
5. Нажмите переключатель, чтобы выключить прибор, когда закончите. Обрежьте нить и снимите шпульку.
6. Вставьте стержень намотки шпульки в маховик и поверните его по часовой стрелке, чтобы скрыть.

Внимание! Перед намоткой шпульки, пожалуйста, выньте нижнюю шпульку и полностью удалите верхнюю нить.

Замена боковой шпульки

1. Вытяните стержень шпульки из держателя.
2. Снимите шпульку и замените ее новой.
3. Вставьте стержень с новой шпулькой обратно в держатель.

Как использовать нитевдеватель

1. Вставьте нитевдеватель в отверстие иглы справа налево.
2. Вставьте нить в нитевдеватель с левой стороны иглы, а затем вытяните нитевдеватель вправо.

Пошив рукавов



Устройство разработано таким образом, чтобы вам было проще шить с помощью прорези для шитья. Следуйте инструкциям, чтобы сшить рукава.

Рабочая лампа

Если требуется дополнительный свет, нажмите переключатель, чтобы включить свет. Нажмите переключатель еще раз, чтобы выключить его.

Подсказки:

1. Прибор будет поврежден, если он будет работать без ткани.
2. Выключите прибор сразу после окончания шитья.
3. Если во время шитья нить порвалась или вышла из отверстия иглы, немедленно выключите прибор. В противном случае нить может запутаться во внутренней части устройства и привести к повреждению.

ТКАНИ, ПРИМЕНИМЫЕ ДЛЯ ПОШИВА

Ткань	Хлопок/Лен	Шелк/Шерсть	Полиэстер	Эластан
Обычная ткань	√	x	√	△
Толстая ткань	√	x	√	△
Тонкая ткань	√	x	x	x
Жесткая ткань	√	√	√	△
Мягкая ткань	x	x	x	x

Эффективность пошива
√ : Легкий пошив
x : Очень сложный пошив
△ : Сложный пошив

На заметку:

1. Определение толщины ткани:
Тонкая (ткань): два слоя ткани толщиной <0,35 мм; Толстая (ткань): два слоя ткани толщиной > 0,8 мм;
Обычная (ткань): два слоя ткани толщиной ≥ 0,35 мм и ≤ 0,8 мм.
2. Определение эластичной ткани:
Если ткань, размер которой составляет «100 мм x 30 мм», растягивается до или более 106 мм при силе натяжения 0,5 кг, то ткань считается эластичной, в противном случае она неэластична.
3. Жесткие ткани: такие как джинсы, парусина и т. д.
4. Мягкая ткань: например, полотенце, ветошь и т. д.

ТЕХНИЧЕСКИЕ ПАРАМЕТРЫ

Внутренний адаптер: 100-240V~ 50/60Hz, 0.2A

Внешний адаптер: 6V DC, 800mA, 4.8W

Швейная машина: 6V DC, 800mA

ГАРАНТИЯ И ОБСЛУЖИВАНИЕ КЛИЕНТОВ

Перед поставкой наши приборы подвергаются строгому контролю качества. Если, несмотря на все меры предосторожности, во время производства или транспортировки произошло повреждение, пожалуйста, верните устройство вашему дилеру. В дополнение к правам, установленным Законодательством, покупатель имеет возможность требовать следующей гарантии:

На приобретенное устройство мы предоставляем гарантию 2 год, начиная со дня продажи. Если у вас есть дефектный продукт, вы можете сразу вернуть его в пункт покупки.

Дефекты, возникающие в результате неправильного обращения с устройством, а также неисправности, вызванные вмешательством и ремонтом третьих лиц или установкой неоригинальных деталей, не покрываются настоящей гарантией. Всегда храните квитанцию, без квитанции вы не можете претендовать на какую-либо форму гарантии. В случае ущерба, вызванного несоблюдением инструкции по эксплуатации – гарантия аннулируется, если это приведет к косвенным повреждениям, в этом случае производитель не несет ответственность. Мы также не несем ответственности за материальный ущерб или телесные повреждения, вызванные неправильным использованием или неправильным выполнением инструкции по эксплуатации. Повреждение аксессуаров не означает бесплатную замену всего прибора. В таком случае, пожалуйста, свяжитесь с нашим отделом обслуживания. Разбитое стекло или поломка пластиковых деталей всегда подлежат оплате. Дефекты расходных материалов или деталей, подверженных износу, а также чистка, техническое обслуживание или замена указанных деталей не покрываются гарантией и подлежат оплате.

БЕЗОПАСНАЯ УТИЛИЗАЦИЯ В ОКРУЖАЮЩЕЙ СРЕДЕ



Переработка отходов - европейская директива 2012/19/EU

Эта маркировка указывает на то, что данный продукт не следует утилизировать вместе с другими бытовыми отходами. Чтобы предотвратить возможный вред окружающей среде или здоровью человека от неконтролируемого удаления отходов, утилизируйте их ответственно, чтобы способствовать устойчивому повторному использованию материальных ресурсов.



БАТАРЕИ ДОЛЖНЫ БЫТЬ ПЕРЕРАБОТАНЫ ИЛИ УТИЛИЗИРОВАНЫ НАДЛЕЖАЩИМ

ОБРАЗОМ. НЕ ВСКРЫВАЙТЕ, НЕ ПОДВЕРГАЙТЕ ВОЗДЕЙСТВИЮ ОГНЯ ИЛИ КОРОТКОГО ЗАМЫКАНИЯ.

Emerio Deutschland GmbH (no service address)

Lerchenweg 3

40789 Monheim am Rhein

Deutschland

Служба поддержки клиентов:

Тел.: +49 (0) 3222 1097 600

Эл. почта: info.de@emerio.eu