

emerio®

DH-124928.1



Dehumidifier (EN)
Luftentfeuchter (DE)
Déshumidificateur (FR)
Deumidificatore (IT)

EAC CE

Content – Inhalt – Contenu – Contenuto

Instruction manual – English	- 2 -
Bedienungsanleitung – Deutsch	- 19 -
Mode d'emploi – Français	- 38 -
Manuale d'istruzioni – Italiano	- 58 -

Thank you very much for purchasing our products. In order to ensure correct operation, please read this manual and instruction carefully before use.

IMPORTANT INSTRUCTIONS

When using electrical appliances, basic precautions should always be followed to reduce the risk of fire, electric shock, burns and other injuries.

1. Read and save these instructions. Attention: pictures in the IM are for reference only.
2. This appliance can be used by children aged from 8 years and above and persons with reduced physical, sensory or mental capabilities or lack of experience and knowledge if they have been given supervision or instruction concerning use of the appliance in a safe way and understand the hazards involved.
3. Children shall not play with the appliance.
4. Cleaning and user maintenance shall not be made by children without supervision.
5. If the supply cord is damaged, it must be replaced by the manufacturer, its service agent or similarly qualified persons in order to avoid a hazard.
6. Before inserting the plug into the mains socket, please check that the voltage and frequency comply with the specifications on the rating label.
7. If an extension cord is used it must be suited to the power consumption of the appliance, otherwise overheating of the extension cord and/or plug may occur. There is a potential risk of injuries from tripping over the extension cord. Be careful to avoid dangerous situations.
8. Disconnect the mains plug from the socket when the appliance is not in use and before cleaning.
9. Ensure that the mains cable is not hung over sharp edges and keep it away from hot objects and open flames.

10. Do not immerse the appliance or the mains plug in water or other liquids. There is danger to life due to electric shock!
11. To remove the plug from the plug socket, pull the plug. Do not pull the power cord.
12. Do not touch the appliance if it falls into water. Remove the plug from its socket, turn off the appliance and send it to an authorized service center for repair.
13. Do not plug or unplug the appliance from the electrical outlet with a wet hand.
14. Never attempt to open the housing of the appliance, or to repair the appliance yourself. This could cause electric shock.
15. This appliance is not designed for commercial use. Indoor use only.
16. Do not use the appliance for other than intended use.
17. Do not wind the cord around the appliance and do not bend it.
18. Do not use this appliance in a window as rain may cause electric shock.
19. Disconnect the power if strange sounds, smell or smoke comes from it.
20. Switch off the appliance before changing its position.
21. Do not put heavy objects on the appliance.
22. Do not cover the intake or exhaust opening with cloths or towels.
23. Do not drink or use the water drained from the unit.
24. Do not take the water tank out during operation.
 - Empty the water tank before moving the unit to avoid water spilling.
 - Do not tilt the unit to prevent water from spilling and damaging the machine.
 - Do not insert any foreign objects to enter any opening, as this may cause an electric shock, fire or damage to the appliance.
25. Do not put the unit close to heat-generating devices or near flammable and dangerous materials.

26. Never put your fingers or objects into the air inlet or air outlet.
27. Do not operate the dehumidifier in a closed area such as inside a closet, as it may cause a fire.
28. The appliance shall be installed in accordance with national wiring regulations.
29. Details of type and rating of fuses: AC250V,3.15A T or F.
30. Servicing shall only be performed as recommended by the equipment manufacturer. Maintenance and repair requiring the assistance of other skilled personnel shall be carried out under the supervision of the person competent in the use of flammable refrigerants.
31. Do not use means to accelerate the defrosting process or to clean, other than those recommended by the manufacturer.
32. The appliance shall be stored in a room without continuously operating ignition sources (for example: open flames, an operating gas appliance or an operating electric heater.)
33. Do not pierce or burn.
34. Be aware that refrigerants may not contain an odour.
35. If the appliance is installed, operated or stored in an unventilated area, the room must be designed to prevent to the accumulation of refrigerant leaks resulting in a risk of fire or explosion due to ignition of the refrigerant caused by electric heaters, stoves, or other sources of ignition.
36. The appliance must be stored in such a way as to prevent mechanical failure.
37. Regarding the instructions for repairing appliances containing R290, please kindly refer to below paragraphs.
38. To avoid any damage, place the appliance in an upright position for at least 24 hours before initiation.



Warning: Risk of fire / Flammable materials.



Read instruction manuals.



Operator's manual; operating instructions.



Service indicator; read technical manual.

Warning: Keep ventilation openings clear of obstruction.

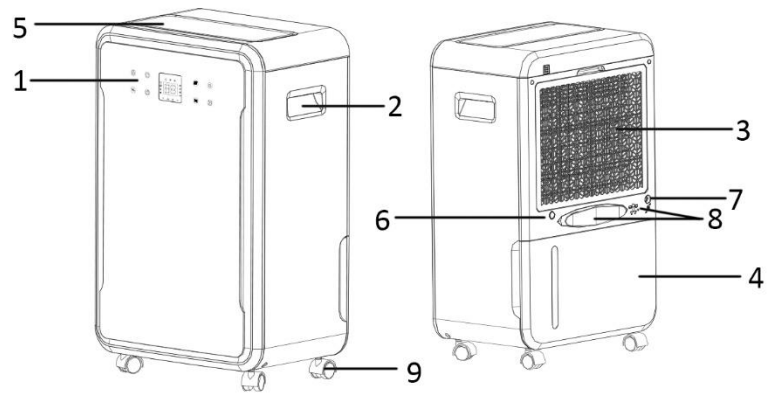
Warning: The appliance shall be stored in a well-ventilated area where the room size corresponds to the room area as specified for operation.

The required distance around the unit should be at least 30cm.

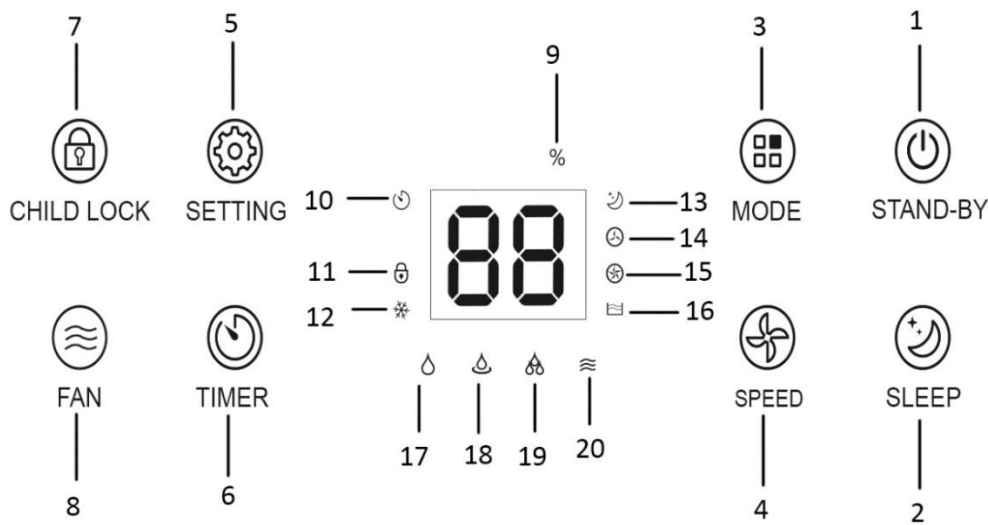
Appliance shall be installed, operated and stored in a room with a floor area larger than 10.1 m².

PARTS DESCRIPTION

1. Control panel
2. Handle
3. Air inlet and filter
4. Water tank
5. Air outlet
6. Continuous drainage outlet
7. Pump port (no function for this model)
8. Storage place for power cord and plug
9. Wheels



CONTROL PANEL



1. Standby button
2. Sleep mode button
3. Dehumidifying mode button
4. Speed button
5. Humidity setting button
6. Timer button
7. Child lock button
8. Fan mode button
9. Humidity indicator light
10. Timer indicator light
11. Child lock indicator light
12. Defrosting function indicator light
13. Sleep mode indicator light
14. Low fan speed indicator light
15. High fan speed indicator light
16. Water tank full / water tank not placed correctly
17. Auto dehumidifying mode indicator light
18. Low dehumidifying mode indicator light
19. High dehumidifying mode indicator light
20. Fan mode indicator light

DEFROSTING FUNCTION

The evaporator in the dehumidifier may defrost automatically and the defrosting function indicator light will be on. The default program is as below:

Room temperature $< 5^{\circ}\text{C}$: Defrosting function does not work.

$5^{\circ}\text{C} \leq \text{Room temperature} \leq 12^{\circ}\text{C}$: During dehumidifying, every 20 minutes, the appliance will switch to defrost mode for about 6 minutes. The compressor will stop working and the fan will run on high speed.

$12^{\circ}\text{C} < \text{Room temperature} \leq 16^{\circ}\text{C}$: During dehumidifying, every 25 minutes, the appliance will switch to defrost mode for about 5 minutes. The compressor will stop working and the fan will run on high speed.

$16^{\circ}\text{C} < \text{Room temperature}$: If the coil temperature is detected less than or equal to -1°C continuously for 2 minutes, the defrost function will be on for 5 minutes. The compressor will stop working and the fan will run on high speed.

The room temperature increases during the operation.

This dehumidifier doesn't have cooling function. It will produce heat during the operation and increase the room temperature by 1 to 4 $^{\circ}\text{C}$. This temperature rise may be very distinct in the cabinet or other similar spaces. In addition, the door and windows are closed and other appliances in the room can give out heat as well as the radiation of the sun can raise the room temperature.

Dehumidifying capacity

In the same room temperature, the dehumidifying capacity is higher in higher relative humidity and the dehumidifying capacity is lower in lower relative humidity. In the same relative humidity, the dehumidifying capacity is higher in higher temperature and the dehumidifying capacity is lower in lower temperature.

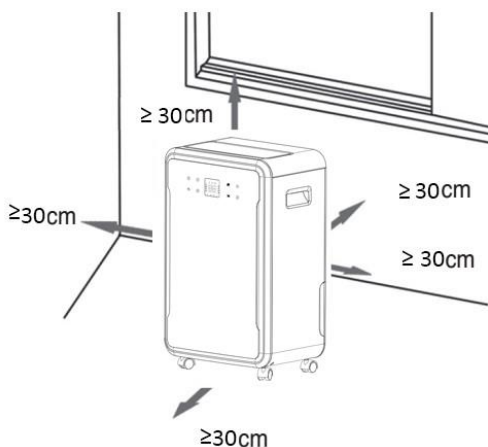
The appliance is designed to remove uncomfortable humidity in daily life and to use for auxiliary drying of washed clothes indoors. This is not suitable for keeping the humidity very low.

BEFORE FIRST USE

- To avoid any damage, place the appliance in an upright position for at least 24 hours before initiation.
- After removing the packaging, make sure that the appliance is in good condition.
- Do not allow children to play with the packaging materials as there is risk of suffocation.

The appliance shall be installed on a flat surface where the air inlet/outlet would not be blocked. The required distance around the unit should be at least 30cm. To save energy, keep windows and door closed when the appliance is running.

Note: If the dehumidifier gets interference from the household appliances, such as television and radio cassette player, please keep the equipment away from the dehumidifier for over 70cm.



USE

Plug in the appliance. A “beep” sound will be heard. The appliance is on standby mode.

ON/off: Press the standby button to turn on the appliance. The air outlet cover will open automatically. The panel will show the current humidity. Press the button again, the appliance will be off. The air outlet cover will close automatically several seconds later.

Humidity setting: press the setting button to set your desired humidity level from 30%-80%. Each press will increase the humidity by 5% and after 80%, the figure will return to 30% for another circulation. The set humidity will flash several times in the panel, then environmental humidity will show. Humidity setting is only valid under auto mode.

Fan: Press the fan mode button to enter into fan mode. Press the speed button to select low or high fan speed. The corresponding indicators will be on.

MODE: Press the mode button to select the mode: Auto mode, Low dehumidifying mode, High dehumidifying mode.

1. Auto mode: In this mode, the auto mode indicator lights up. Both fan speed and humidity can be adjusted under auto mode. The appliance will automatically maintain the select humidity.
2. Low dehumidifying mode: In this mode, the appliance works with low fan speed for any room humidity and the humidity cannot be changed. The environmental humidity is shown on the panel.
3. High dehumidifying mode: In this mode, the appliance works with high fan speed for any room humidity and the humidity cannot be changed. The environmental humidity is shown on the panel.
The mode can be selected to dry clothes: Place the appliance in a room with closed doors along with the clothes rack.

TIMER:

Auto-OFF setting

- When the appliance is ON, press the timer button to select a desired auto-OFF time from 1 to 24 hours.
- Each press will increase the set time by one hour and after 24 hours, the figure will return to 1 for another circulation. You can also long press the timer button for rapid adjustment.
- The timer will flash for several seconds, then the timer indicator light will illuminate still; The panel will show the environmental humidity. The timer setting is confirmed.
- The appliance will automatically turn off once the select time has passed.

Auto-ON setting

- When the appliance is OFF, press the timer button to select a desired auto-ON time from 1 to 24 hours.
- The way to adjust the timer is the same as that of the auto-OFF setting.
- You can set your desired working mode at the same time.
- The appliance will automatically turn on with the set functions once the select time passed.

To cancel the timer, set the time to 0 hour; the timer will flash several times, then the timer indicator light will turn off.

CHILD LOCK:

- Press and hold the button for about 3-5 seconds to lock all the other buttons in the panel.
- Press and hold the button again for about 3-5 seconds to unlock all the other buttons.

SLEEP MODE:

- Press the sleep button to enter into the sleep mode; press the button again to exit the sleep mode.
- Under this mode, all indicators will be off except sleep indicator light and water tank full indicator light.

Notice:

1. This appliance is equipped with memory function in case of power-down, except timer function.

2. **Important:**

Fault code "E2": Temperature / humidity sensor damaged; contact a professional for inspection and maintenance.

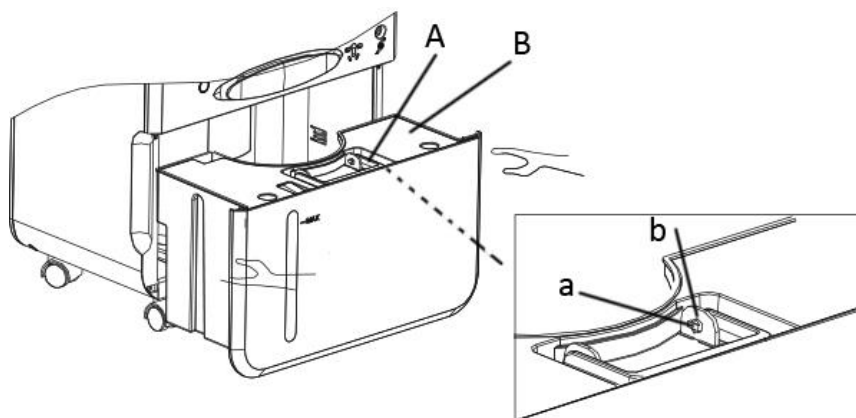
Fault code "E3": Coil sensor damaged; contact a professional for inspection and maintenance.

DRAIN THE COLLECTED WATER

When the water tank is full, the water tank full indicator light will illuminate. The operation will stop automatically and the buzzer will beep 20 times to alert the user that the water needs to be emptied from the water tank.

Empty the water tank

1. Pull out the water tank from the appliance.
2. Discard the collected water.
3. Install the water tank back.

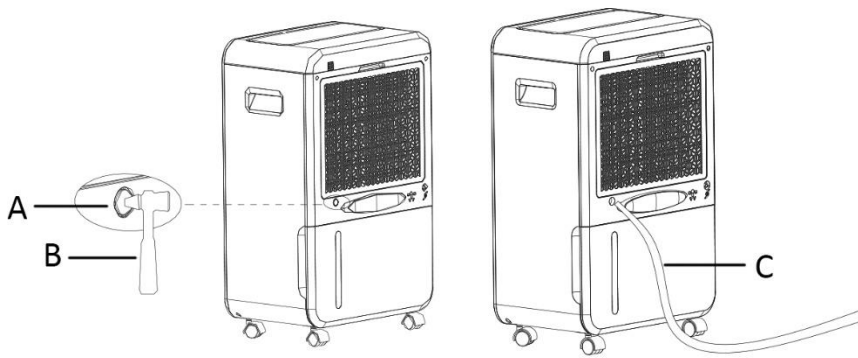


NOTE:

1. **If you want to remove the water tank cover (B), you should detach the handle (A) first:** detach the jointpoint (a) of the handle (A) away from the slot (b). Pay attention to the direction of the slot (b).
2. When placing the water tank back, press the tank firmly into the place with both hands.
3. Do not remove the float from the water tank. The water full sensor will no longer be able to detect the water level correctly without the float and water may leak from the water tank.

Continuous water drainage

The appliance has a continuous drainage plughole. Firstly, gently knock the lid (A) off with a hammer (B), then connect the pipe (C); the condensed water can be continuously drained out. Install drain piping at a downhill grade to make sure that condensed water can be drained continuously. Now the condensed water will be drained out by this drainage plughole instead collected into the water tank.



CLEANING AND MAINTENANCE

The appliance must be regularly cleaned to prolong its life and keep it functioning properly.

Warning: Before performing any cleaning, turn off the unit and unplug it to avoid electrical shocks. Do not use hot water or chemical solvents for cleaning.

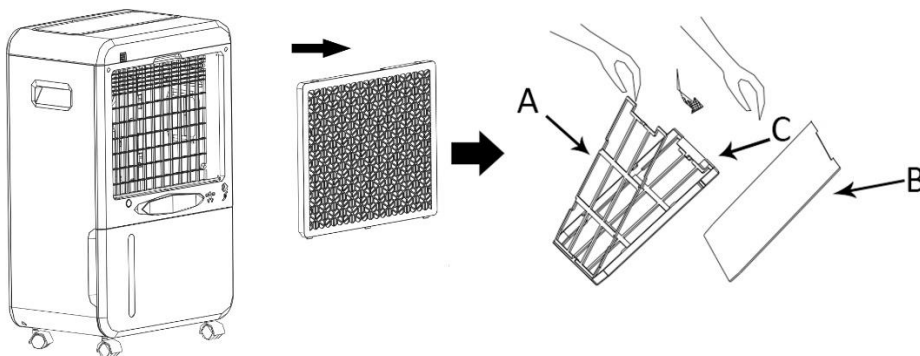
1. Regularly, clean the water tank with cold or warm water and dry with a soft cloth to avoid any mildew.
2. Clean the surface of the appliance using a moist cloth. Do not use detergents or abrasive sponges that can cause damage to the plastic surface.
3. Clean the filter as described in the following section.
4. When the unit will not be used for a long time:
 - 1) Empty and dry the water tank, and then install it back.
 - 2) Clean the filter.
 - 3) Place the appliance upright and avoid the direct sunlight.

Filter

There is a filter net inside the appliance that must be removed and cleaned regularly. The dehumidity capacity may reduce when the filter net is clogged with defilement.

- Remove the filter net, detach the net (A) and filter case (C) to take out the activated carbon layer (B).
- The net and filter case can be washed in water (temperature < 40°C). Dry well before installation.
- The activated carbon layer cannot be cleaned in water. You may use a vacuum cleaner to remove the dust.

It is recommended that the activated carbon layer (B) be replaced every 3-6 months (depending on usage) to ensure peak performance of the appliance.



TROUBLE SHOOTING

Problem	Possible Cause	Solution
No working	Whether the power plug is connected	Plug in
	Whether the water tank is full	Empty the water tank
	Whether the water tank is in position	Place it well
	Whether the air outlet cover is open	Open the air outlet cover

Small dehumidifying capacity	Is the filter clogged?	Clean the filter
	Is the air inlet or air outlet obstructed?	Remove the obstruction from the air outlet or air inlet.
Big noises	Whether the appliance is placed well	Place the appliance on a smooth and stable floor
Stop during the dehumidifying process	Whether the room temperature is out of the working scope of the appliance	The appliance may start automatically when the room temperature returns to the working scope 5-32°C
The clothing cannot be dried fast	Whether the room temperature is very low	The wet clothing may dry more slowly in low temperature

Phenomenon	Cause
Intermittent stop during the operation	The defrosting
Small dehumidifying capacity	The dehumidifying capacity drops with the room temperature and humidity.
The humidity of the room cannot reduce	The room is too big The door or windows of the room are not closed The appliance is operated with other appliance which releases steam
Unpleasant smell	The smell may come from the wall, furniture or other things
The appliance makes a sound during operation	The sound made by the flowing of the refrigerant may eliminate or lower automatically while the system operates stably
Water is in the tank	Since each appliance has taken operation test before leaving the factory, some water remains on the evaporator flows to the water tank

TECHNICAL DATA

Dehumidify Capacity	70L/day (30°C ,80%)
Rated Voltage	AC 220-240V
Rated Frequency	50Hz
Rated power input	1000W
Rated Current	4.5A
Refrigerant	R290

GUARANTEE AND CUSTOMER SERVICE

Before delivery our devices are subjected to rigorous quality control. If, despite all care, damage has occurred during production or transportation, please return the device to your dealer. In addition to statutory legal rights, the purchaser has an option to claim under the terms of the following guarantee:

For the purchased device we provide 2 years guarantee, commencing from the day of sale. If you have a defective product, you can directly go back to the point of purchase.

Defects which arise due to improper handling of the device and malfunctions due to interventions and repairs by third parties or the fitting of non-original parts are not covered by this guarantee. Always keep your receipt, without the receipt you can't claim any form of warranty. Damage caused by not following the instruction manual, will lead to a void of warranty, if this results in consequential damages then we will not be liable. Neither can we hold responsible for material damage or personal injury caused by improper use if the instruction manual is not properly executed. Damage to accessories does not mean free replacement of the whole appliance. In such case please contact our service department. Broken glass or breakage of plastic parts is always subject to a charge.

Defects to consumables or parts subjected to wearing, as well as cleaning, maintenance or the replacement of said parts are not covered by the warranty and are to be paid.

ENVIRONMENT FRIENDLY DISPOSAL



Recycling – European Directive 2012/19/EU

This marking indicates that this product should not be disposed with other household wastes. To prevent possible harm to the environment or human health from uncontrolled waste disposal, recycle it responsibly to promote the sustainable reuse of material resources. To return your used device, please use the return and collection systems or contact the retailer where the product was purchased. They can take this product for environmental safe recycling.

Migros-Genossenschafts-Bund

Limmatstrasse 152

CH-8031 Zürich

INSTRUCTIONS FOR REPAIRING APPLIANCES CONTAINING R290

1. Servicing

1) Checks to the area

Prior to beginning work on systems containing flammable refrigerants, safety checks are necessary to ensure that the risk of ignition is minimised. For repair to the refrigerating system, the following precautions shall be complied with prior to conducting work on the system.

2) Work procedure

Work shall be undertaken under a controlled procedure so as to minimise the risk of a flammable gas or vapour being present while the work is being performed.

3) General work area

All maintenance staff and others working in the local area shall be instructed on the nature of work being carried out. Work in confined spaces shall be avoided. The area around the workspace shall be sectioned off. Ensure that the conditions within the area have been made safe by control of flammable material.

4) Checking for presence of refrigerant

The area shall be checked with an appropriate refrigerant detector prior to and during work, to ensure the technician is aware of potentially flammable atmospheres. Ensure that the leak detection equipment being used is suitable for use with flammable refrigerants, i.e. non-sparking, adequately sealed or intrinsically safe.

5) Presence of fire extinguisher

If any hot work is to be conducted on the refrigeration equipment or any associated parts, appropriate fire extinguishing equipment shall be available to hand. Have a dry powder or CO₂ fire extinguisher adjacent to the charging area.

6) No ignition sources

No person carrying out work in relation to a refrigeration system which involves exposing any pipe work that contains or has contained flammable refrigerant shall use any sources of ignition in such a manner that it may lead to the risk of fire or explosion. All possible ignition sources, including cigarette smoking, should be kept sufficiently far away from the site of installation, repairing, removing and disposal, during which flammable refrigerant can possibly be released to the surrounding space. Prior to work taking place, the area around the equipment is to be surveyed to make sure that there are no flammable hazards or ignition risks. "No Smoking" signs shall be displayed.

7) Ventilated area

Ensure that the area is in the open or that it is adequately ventilated before breaking into the system or conducting any hot work. A degree of ventilation shall continue during the period that the work is carried out. The ventilation should safely disperse any released refrigerant and preferably expel it externally into the atmosphere.

8) Checks to the refrigeration equipment

Where electrical components are being changed, they shall be fit for the purpose and to the correct specification. At all times the manufacturer's maintenance and service guidelines shall be followed. If in doubt consult the manufacturer's technical department for assistance.

The following checks shall be applied to installations using flammable refrigerants:

- The charge size is in accordance with the room size within which the refrigerant containing parts are installed;
- The ventilation machinery and outlets are operating adequately and are not obstructed;
- If an indirect refrigerating circuit is being used, the secondary circuit shall be checked for the presence of refrigerant;
- Marking to the equipment continues to be visible and legible. Markings and signs that are illegible shall be corrected;
- Refrigeration pipe or components are installed in a position where they are unlikely to be exposed to any substance which may corrode refrigerant containing components, unless the components are constructed of

materials which are inherently resistant to being corroded or are suitably protected against being so corroded.

9) Checks to electrical devices

Repair and maintenance to electrical components shall include initial safety checks and component inspection procedures. If a fault exists that could compromise safety, then no electrical supply shall be connected to the circuit until it is satisfactorily dealt with. If the fault cannot be corrected immediately but it is necessary to continue operation, an adequate temporary solution shall be used. This shall be reported to the owner of the equipment so all parties are advised. Initial safety checks shall include:

- That capacitors are discharged: this shall be done in a safe manner to avoid possibility of sparking;
- That there no live electrical components and wiring are exposed while charging, recovering or purging the system;
- That there is continuity of earth bonding.

2. Repairs to sealed components

1) During repairs to sealed components, all electrical supplies shall be disconnected from the equipment being worked upon prior to any removal of sealed covers, etc. If it is absolutely necessary to have an electrical supply to equipment during servicing, then a permanently operating form of leak detection shall be located at the most critical point to warn of a potentially hazardous situation.

2) Particular attention shall be paid to the following to ensure that by working on electrical components, the casing is not altered in such a way that the level of protection is affected. This shall include damage to cables, excessive number of connections, terminals not made to original specification, damage to seals, incorrect fitting of glands, etc.

Ensure that apparatus is mounted securely. Ensure that seals or sealing materials have not degraded such that they no longer serve the purpose of preventing the ingress of flammable atmospheres. Replacement parts shall be in accordance with the manufacturer's specifications.

NOTE: The use of silicon sealant may inhibit the effectiveness of some types of leak detection equipment. Intrinsically safe components do not have to be isolated prior to working on them.

3. Repair to intrinsically safe components

Do not apply any permanent inductive or capacitance loads to the circuit without ensuring that this will not exceed the permissible voltage and current permitted for the equipment in use. Intrinsically safe components are the only types that can be worked on while live in the presence of a flammable atmosphere. The test apparatus shall be at the correct rating. Replace components only with parts specified by the manufacturer. Other parts may result in the ignition of refrigerant in the atmosphere from a leak.

4. Cabling

Check that cabling will not be subject to wear, corrosion, excessive pressure, vibration, sharp edges or any other adverse environmental effects. The check shall also take into account the effects of aging or continual vibration from sources such as compressors or fans.

5. Detection of flammable refrigerants

Under no circumstances shall potential sources of ignition be used in the searching for or detection of refrigerant leaks. A halide torch (or any other detector using a naked flame) shall not be used.

6. Leak detection methods

The following leak detection methods are deemed acceptable for systems containing flammable refrigerants. Electronic leak detectors shall be used to detect flammable refrigerants, but the sensitivity may not be adequate, or may need re-calibration. (Detection equipment shall be calibrated in a refrigerant-free area.) Ensure that the detector is not a potential source of ignition and is suitable for the refrigerant used. Leak detection equipment

shall be set at a percentage of the LFL of the refrigerant and shall be calibrated to the refrigerant employed and the appropriate percentage of gas (25 % maximum) is confirmed. Leak detection fluids are suitable for use with most refrigerants but the use of detergents containing chlorine shall be avoided as the chlorine may react with the refrigerant and corrode the copper pipe-work. If a leak is suspected, all naked flames shall be removed/extinguished. If a leakage of refrigerant is found which requires brazing, all of the refrigerant shall be recovered from the system, or isolated (by means of shut off valves) in a part of the system remote from the leak. Oxygen free nitrogen (OFN) shall then be purged through the system both before and during the brazing process.

7. Removal and evacuation

When breaking into the refrigerant circuit to make repairs – or for any other purpose – conventional procedures shall be used. However, it is important that best practice is followed since flammability is a consideration. The following procedure shall be adhered to:

- Remove refrigerant;
- Purge the circuit with inert gas;
- Evacuate;
- Purge again with inert gas;
- Open the circuit by cutting or brazing.

The refrigerant charge shall be recovered into the correct recovery cylinders. The system shall be “flushed” with OFN to render the unit safe. This process may need to be repeated several times. Compressed air or oxygen shall not be used for this task. Flushing shall be achieved by breaking the vacuum in the system with OFN and continuing to fill until the working pressure is achieved, then venting to atmosphere, and finally pulling down to a vacuum. This process shall be repeated until no refrigerant is within the system. When the final OFN charge is used, the system shall be vented down to atmospheric pressure to enable work to take place. This operation is absolutely vital if brazing operations on the pipe-work are to take place. Ensure that the outlet for the vacuum pump is not close to any ignition sources and there is ventilation available.

8. Charging procedures

In addition to conventional charging procedures, the following requirements shall be followed.

- Ensure that contamination of different refrigerants does not occur when using charging equipment. Hoses or lines shall be as short as possible to minimise the amount of refrigerant contained in them.
- Cylinders shall be kept upright.
- Ensure that the refrigeration system is earthed prior to charging the system with refrigerant.
- Label the system when charging is complete (if not already).
- Extreme care shall be taken not to overfill the refrigeration system.

Prior to recharging the system it shall be pressure tested with OFN. The system shall be leak tested on completion of charging but prior to commissioning. A follow up leak test shall be carried out prior to leaving the site.

9. Decommissioning

Before carrying out this procedure, it is essential that the technician is completely familiar with the equipment and all its detail. It is recommended good practice that all refrigerants are recovered safely. Prior to the task being carried out, an oil and refrigerant sample shall be taken in case analysis is required prior to re-use of reclaimed refrigerant. It is essential that electrical power is available before the task is commenced.

- a) Become familiar with the equipment and its operation.
- b) Isolate system electrically.
- c) Before attempting the procedure ensure that:
 - Mechanical handling equipment is available, if required for handling refrigerant cylinders;
 - All personal protective equipment is available and being used correctly;
 - The recovery process is supervised at all times by a competent person;

- Recovery equipment and cylinders conform to the appropriate standards.
- d) Pump down refrigerant system, if possible.
- e) If a vacuum is not possible, make a manifold so that refrigerant can be removed from various parts of the system.
- f) Make sure that cylinder is situated on the scales before recovery takes place.
- g) Start the recovery machine and operate in accordance with manufacturer's instructions.
- h) Do not overfill cylinders. (No more than 80 % volume liquid charge).
- i) Do not exceed the maximum working pressure of the cylinder, even temporarily.
- j) When the cylinders have been filled correctly and the process completed, make sure that the cylinders and the equipment are removed from site promptly and all isolation valves on the equipment are closed off.
- k) Recovered refrigerant shall not be charged into another refrigeration system unless it has been cleaned and checked.

10. Labelling

Equipment shall be labelled stating that it has been de-commissioned and emptied of refrigerant. The label shall be dated and signed. Ensure that there are labels on the equipment stating the equipment contains flammable refrigerant.

11. Recovery

When removing refrigerant from a system, either for servicing or decommissioning, it is recommended good practice that all refrigerants are removed safely. When transferring refrigerant into cylinders, ensure that only appropriate refrigerant recovery cylinders are employed. Ensure that the correct number of cylinders for holding the total system charge is available. All cylinders to be used are designated for the recovered refrigerant and labelled for that refrigerant (i.e. special cylinders for the recovery of refrigerant). Cylinders shall be complete with pressure relief valve and associated shut-off valves in good working order. Empty recovery cylinders are evacuated and, if possible, cooled before recovery occurs. The recovery equipment shall be in good working order with a set of instructions concerning the equipment that is at hand and shall be suitable for the recovery of flammable refrigerants. In addition, a set of calibrated weighing scales shall be available and in good working order. Hoses shall be complete with leak-free disconnect couplings and in good condition. Before using the recovery machine, check that it is in satisfactory working order, has been properly maintained and that any associated electrical components are sealed to prevent ignition in the event of a refrigerant release. Consult manufacturer if in doubt. The recovered refrigerant shall be returned to the refrigerant supplier in the correct recovery cylinder, and the relevant Waste Transfer Note arranged. Do not mix refrigerants in recovery units and especially not in cylinders. If compressors or compressor oils are to be removed, ensure that they have been evacuated to an acceptable level to make certain that flammable refrigerant does not remain within the lubricant. The evacuation process shall be carried out prior to returning the compressor to the suppliers. Only electric heating to the compressor body shall be employed to accelerate this process. When oil is drained from a system, it shall be carried out safely.

Competence of service personnel

General

Special training additional to usual refrigerating equipment repair procedures is required when equipment with flammable refrigerants is affected.

In many countries, this training is carried out by national training organisations that are accredited to teach the relevant national competency standards that may be set in legislation.

The achieved competence should be documented by a certificate.

Training

The training should include the substance of the following:

Information about the explosion potential of flammable refrigerants to show that flammables may be dangerous when handled without care.

Information about potential ignition sources, especially those that are not obvious, such as lighters, light switches, vacuum cleaners, electric heaters.

Information about the different safety concepts:

Unventilated – Safety of the appliance does not depend on ventilation of the housing. Switching off the appliance or opening of the housing has no significant effect on the safety. Nevertheless, it is possible that leaking refrigerant may accumulate inside the enclosure and flammable atmosphere will be released when the enclosure is opened.

Ventilated enclosure – Safety of the appliance depends on ventilation of the housing. Switching off the appliance or opening of the enclosure has a significant effect on the safety. Care should be taken to ensure a sufficient ventilation before.

Ventilated room – Safety of the appliance depends on the ventilation of the room. Switching off the appliance or opening of the housing has no significant effect on the safety. The ventilation of the room shall not be switched off during repair procedures.

Information about the concept of sealed components and sealed enclosures according to IEC 60079-15:2010.

Information about the correct working procedures:

a) Commissioning

- Ensure that the floor area is sufficient for the refrigerant charge or that the ventilation hose is assembled in a correct manner.
- Connect the pipes and carry out a leak test before charging with refrigerant.
- Check safety equipment before putting into service.

b) Maintenance

- Portable equipment shall be repaired outside or in a workshop specially equipped for servicing units with flammable refrigerants.
- Ensure sufficient ventilation at the repair place.
- Be aware that malfunction of the equipment may be caused by refrigerant loss and a refrigerant leak is possible.
- Discharge capacitors in a way that won't cause any spark. The standard procedure to short circuit the capacitor terminals usually creates sparks.
- Reassemble sealed enclosures accurately. If seals are worn, replace them.
- Check safety equipment before putting into service.

c) Repair

- Portable equipment shall be repaired outside or in a workshop specially equipped for servicing units with flammable refrigerants.
- Ensure sufficient ventilation at the repair place.
- Be aware that malfunction of the equipment may be caused by refrigerant loss and a refrigerant leak is possible.
- Discharge capacitors in a way that won't cause any spark.
- When brazing is required, the following procedures shall be carried out in the right order:
 - Remove the refrigerant. If the recovery is not required by national regulations, drain the refrigerant to the outside. Take care that the drained refrigerant will not cause any danger. In doubt, one person should guard the outlet. Take special care that drained refrigerant will not float back into the building.
 - Evacuate the refrigerant circuit.
 - Purge the refrigerant circuit with nitrogen for 5 min.
 - Evacuate again.
 - Remove parts to be replaced by cutting, not by flame.
 - Purge the braze point with nitrogen during the brazing procedure.
 - Carry out a leak test before charging with refrigerant.
- Reassemble sealed enclosures accurately. If seals are worn, replace them.

- Check safety equipment before putting into service.

d) Decommissioning

- If the safety is affected when the equipment is putted out of service, the refrigerant charge shall be removed before decommissioning.
- Ensure sufficient ventilation at the equipment location.
- Be aware that malfunction of the equipment may be caused by refrigerant loss and a refrigerant leak is possible.
- Discharge capacitors in a way that won't cause any spark.
- Remove the refrigerant. If the recovery is not required by national regulations, drain the refrigerant to the outside. Take care that the drained refrigerant will not cause any danger. In doubt, one person should guard the outlet. Take special care that drained refrigerant will not float back into the building.
- Evacuate the refrigerant circuit.
- Purge the refrigerant circuit with nitrogen for 5 min.
- Evacuate again.
- Fill with nitrogen up to atmospheric pressure.
- Put a label on the equipment that the refrigerant is removed.

e) Disposal

- Ensure sufficient ventilation at the working place.
- Remove the refrigerant. If the recovery is not required by national regulations, drain the refrigerant to the outside. Take care that the drained refrigerant will not cause any danger. In doubt, one person should guard the outlet. Take special care that drained refrigerant will not float back into the building.
- Evacuate the refrigerant circuit.
- Purge the refrigerant circuit with nitrogen for 5 min.
- Evacuate again.
- Cut out the compressor and drain the oil.

Transportation, marking and storage for units that employ flammable refrigerants

Transport of equipment containing flammable refrigerants

Attention is drawn to the fact that additional transportation regulations may exist with respect to equipment containing flammable gas. The maximum number of pieces of equipment or the configuration of the equipment, permitted to be transported together will be determined by the applicable transport regulations.

Marking of equipment using signs

Signs for similar appliances used in a work area generally are addressed by local regulations and give the minimum requirements for the provision of safety and/or health signs for a work location.

All required signs are to be maintained and employers should ensure that employees receive suitable and sufficient instruction and training on the meaning of appropriate safety signs and the actions that need to be taken in connection with these signs.

The effectiveness of signs should not be diminished by too many signs being placed together.

Any pictograms used should be as simple as possible and contain only essential details.

Disposal of equipment using flammable refrigerants

See national regulations.

Storage of equipment/appliances

The storage of equipment should be in accordance with the manufacturer's instructions.

Storage of packed (unsold) equipment

Storage package protection should be constructed such that mechanical damage to the equipment inside the package will not cause a leak of the refrigerant charge.

The maximum number of pieces of equipment permitted to be stored together will be determined by local regulations.

Vielen Dank, dass Sie sich für unser Produkt entschieden haben. Lesen Sie diese Bedienungsanleitung vor der Inbetriebnahme des Gerätes sorgfältig durch, um einen ordnungsgemäßen Betrieb sicherzustellen.

WICHTIGE ANWEISUNGEN:

Bei der Verwendung elektrischer Geräte müssen immer grundlegende Sicherheitsvorkehrungen beachtet werden, um die Risiken von Bränden, elektrischen Schlägen, Verbrennungen und anderen Verletzungen zu reduzieren.

1. Lesen und bewahren Sie diese Anleitungen auf. Achtung: Die Bilder in der Bedienungsanleitung dienen nur zur Veranschaulichung.
2. Dieses Gerät kann von Kindern ab 8 Jahren und von Personen mit eingeschränkten physischen, sensorischen oder geistigen Fähigkeiten oder ohne Erfahrung und/oder Wissen benutzt werden, wenn diese durch eine für ihre Sicherheit zuständige Person beaufsichtigt werden oder von ihr Anweisungen erhalten, wie das Gerät sicher zu benutzen ist und sie auf die Risiken aufmerksam gemacht wurden.
3. Kinder dürfen nicht mit dem Gerät spielen.
4. Kinder sollten dieses Gerät nicht unbeaufsichtigt reinigen oder warten.
5. Wenn die Netzanschlussleitung dieses Gerätes beschädigt wird, muss sie durch den Hersteller oder seinen Kundendienst oder eine ähnlich qualifizierte Person ersetzt werden, um Gefährdungen zu vermeiden.
6. Bevor Sie den Stecker mit der Netzsteckdose verbinden, prüfen Sie bitte, ob die Spannung und die Frequenz mit den Angaben auf dem Typenschild übereinstimmen.
7. Falls ein Verlängerungskabel verwendet wird, muss es für den Stromverbrauch des Gerätes geeignet sein, sonst kann

es zum Überhitzen des Verlängerungskabels und/oder des Steckers kommen. Es besteht Verletzungsgefahr durch Stolpern über das Verlängerungskabel. Lassen Sie Vorsicht walten, um gefährliche Situationen zu vermeiden.

8. Ziehen Sie den Netzstecker aus der Steckdose, wenn das Gerät nicht benutzt und bevor es gereinigt wird.
9. Achten Sie darauf, dass das Netzkabel nicht über scharfe Kanten hängt und halten Sie es von heißen Objekten und offenen Flammen fern.
10. Tauchen Sie das Gerät oder den Netzstecker nicht in Wasser oder andere Flüssigkeiten. Es besteht Lebensgefahr aufgrund von Stromschlag!
11. Um den Stecker aus der Steckdose zu entfernen, ziehen Sie am Stecker. Ziehen Sie nicht am Kabel.
12. Berühren Sie das Gerät nicht, wenn es ins Wasser gefallen ist. Ziehen Sie den Stecker aus der Steckdose, schalten Sie das Gerät aus und schicken Sie es an einen autorisierten Kundendienst zwecks Reparatur.
13. Den Netzstecker des Gerätes nicht mit einer nassen Hand aus der Steckdose ziehen oder mit der Steckdose verbinden.
14. Versuchen Sie unter keinen Umständen, das Gehäuse des Gerätes zu öffnen oder das Gerät selbst zu reparieren. Dies könnte einen Stromschlag verursachen.
15. Dieses Gerät ist nicht für den gewerblichen Gebrauch konzipiert. Nur für den Gebrauch in Innenbereichen.
16. Verwenden Sie das Gerät nur zu seinem bestimmungsgemäßen Zweck.
17. Wickeln Sie das Kabel nicht um das Gerät und knicken Sie es nicht.
18. Das Gerät nicht an einem Fenster verwenden, da Regen einen elektrischen Schlag verursachen kann.
19. Netzstecker ziehen, falls seltsame Geräusche, Gerüche oder Rauch aus dem Gerät aufsteigen.
20. Das Gerät ausschalten, bevor der Netzstecker aus der Steckdose gezogen wird.
21. Keine schweren Gegenstände auf das Gerät stellen.

22. Die Lufteinlass- oder Luftauslassöffnung nicht mit Kleidung oder Handtüchern abdecken.
23. Das mit diesem Gerät der Luft entzogene Wasser weder trinken noch anderweitig verwenden.
24. Den Wassertank während des Betriebs nicht berühren.
 - Den Wassertank entleeren, bevor das Gerät bewegt wird, um das Verschütten von Wasser zu verhindern.
 - Das Gerät nicht neigen, um zu verhindern, dass Wasser verschüttet und das Gerät beschädigt wird.
 - Es dürfen keine Fremdkörper in Öffnungen am Gerät gelangen, denn dies kann zu Stromschlägen, Brand oder Schäden am Gerät führen.
25. Das Gerät darf nicht in der Nähe von Wärme erzeugenden, entzündlichen und gefährlichen Materialien aufgestellt werden.
26. Nie die Finger in die Luftein- oder -auslässe stecken.
27. Den Raumentfeuchter nicht in geschlossenen Bereichen wie zum Beispiel einem Schrank betreiben, denn dadurch besteht Brandgefahr.
28. Bei der Geräteinstallation müssen die nationalen Vorschriften für die Elektroverdrahtung beachtet werden.
29. Angaben zu den Sicherungen: AC250V,3.15A T or F.
30. Reparaturen dürfen nur gemäß Empfehlungen des Herstellers vorgenommen werden. Reparatur- und Wartungsarbeiten, für die anderes Fachpersonal erforderlich ist, müssen unter Beaufsichtigung einer Person durchgeführt werden, die sich mit dem Einsatz zündfähiger Kühlmittel auskennt.
31. Bis auf die vom Hersteller empfohlenen Hilfsmittel keine anderen Mittel einsetzen, um den Abtauvorgang zu beschleunigen oder das Gerät zu reinigen.
32. Das Gerät muss in einem Raum aufbewahrt werden, in dem sich keine dauerhaft funktionierenden Zündquellen befinden (z. B. offene Flammen, ein in Betrieb befindliches gasbetriebenes Gerät oder eine in Betrieb befindliche

Elektroheizung).

33. Nicht hineinstecken oder verbrennen.
34. Wir weisen darauf hin, dass Kältemittel unter Umständen geruchlos sind.
35. Wird das Gerät in einem unbelüfteten Bereich installiert, betrieben oder aufbewahrt, muss der Raum so konzipiert sein, dass sich kein ausgelaufenes Kältemittel sammeln und zu einer Brand- oder Explosionsgefahr werden kann, falls das Kältemittel durch eine Elektroheizung, Ofen oder eine andere Zündquelle gezündet wird.
36. Das Gerät muss so gelagert werden, dass keine mechanischen Defekte auftreten können.
37. Die folgenden Absätze bei der Reparatur von Geräten mit R290 Kältemittel beachten.
38. Um Schäden zu vermeiden, stellen Sie das Gerät vor der Inbetriebnahme mindestens 24 Stunden lang aufrecht hin.



Warnung: Brandgefahr / zündfähiges Material.



Anleitungen lesen.



Bedienungsanleitung; Betriebsanleitung.



Symbol für Reparatur/Wartung; technische Anleitung lesen.

Warnung: Belüftungsöffnungen von Blockaden frei halten.

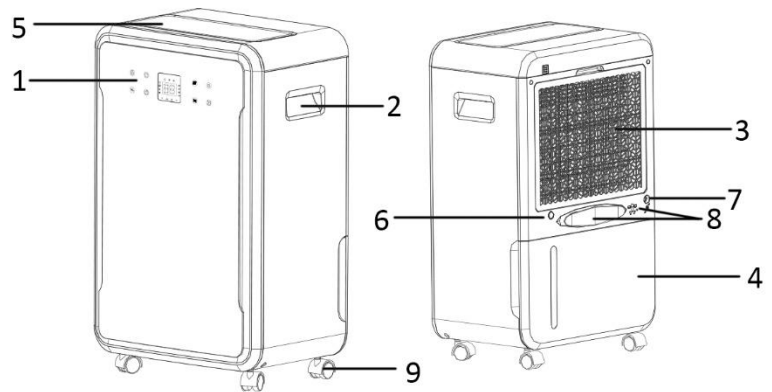
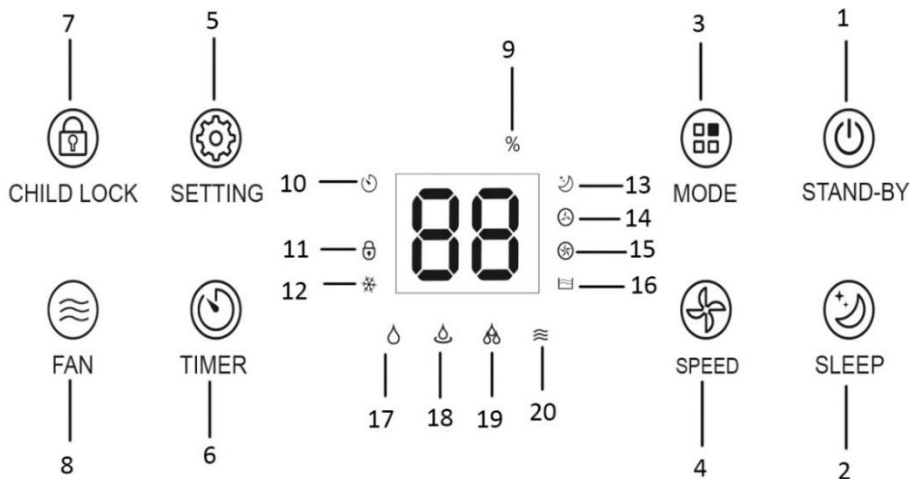
Warnung: Das Gerät muss in einem gut belüfteten Raum stehen, dessen Größe mit den Raumangaben in den technischen Daten übereinstimmt.

Ein Mindestabstand von 30 cm sollte um das Gerät herum eingehalten werden.

Das Gerät muss in einem Raum installiert, betrieben und aufbewahrt werden, dessen Bodenfläche größer ist als 10.1 m².

BESCHREIBUNG DER TEILE

1. Bedienfeld
2. Griffmulde
3. Lufteinlass und -filter
4. Wassertank
5. Luftauslass
6. Dauerablauf
7. Pumpenanschluss (bei diesem Modell ohne Funktion)
8. Aufbewahrung für Netzkabel mit Stecker
9. Laufrollen

**BEDIENFELD**

1. Standby-Taste
2. Taste Schlafmodus
3. Taste für Entfeuchtungsmodus
4. Stufenwählschalter
5. Taste für Luftfeuchte-Einstellung
6. Timer-Taste
7. Kindersicherungstaste
8. Lüfterbetriebstaste
9. Luftfeuchte-Anzeigeleuchte
10. Timer-Anzeigeleuchte
11. Kindersicherungs-Anzeigeleuchte
12. Anzeigeleuchte Abtaufunktion
13. Anzeigeleuchte Schlaf-Modus
14. Anzeigeleuchte niedrige Lüfterstufe
15. Anzeigeleuchte hohe Lüfterstufe
16. Wassertank voll / Wassertank nicht korrekt eingesetzt
17. Anzeigeleuchte für Entfeuchtungsautomatik
18. Anzeigeleuchte niedrige Entfeuchtungsstufe
19. Anzeigeleuchte hohe Entfeuchtungsstufe
20. Anzeigeleuchte Lüfterbetrieb

ABTAUFUNKTION

Unter Umständen schaltet sich die Abtau-Automatik durch den Verdampfer des Luftentfeuchters ein und die Anzeigeleuchte für die Abtaufunktion leuchtet auf. Das Standardprogramm läuft wie folgt ab:

Raumtemperatur $< 5\text{ °C}$: Abtaufunktion ist aus.

$5\text{ °C} \leq \text{Raumtemperatur} \leq 12\text{ °C}$: Alle 20 Minuten während des Entfeuchtungsbetriebs schaltet das Gerät 6 Minuten lang auf Abtauen. Der Kompressor schaltet sich ab und der Lüfter startet auf hoher Stufe.

$12\text{ °C} < \text{Raumtemperatur} \leq 16\text{ °C}$: Alle 25 Minuten während des Entfeuchtungsbetriebs schaltet das Gerät 5 Minuten lang auf Abtauen. Der Kompressor schaltet sich ab und der Lüfter startet auf hoher Stufe.

$16\text{ °C} < \text{Raumtemperatur}$: Wird 2 Minuten ununterbrochen eine Temperatur von kleiner gleich -1 °C gemeldet, bleibt die Abtaufunktion 5 Minuten lang eingeschaltet. Der Kompressor schaltet sich ab und der Lüfter arbeitet auf hoher Stufe.

Die Raumtemperatur steigt während des Betriebs an.

Dieser Luftentfeuchter besitzt keine Kühlfunktion. Er erzeugt während des Betriebs Hitze und erhöht die Raumtemperatur um 1 bis 4 °C. Dieser Temperaturanstieg kann in kleinen Räumen sehr ausgeprägt sein. Außerdem sind die Türen und Fenster geschlossen und andere Geräte im Raum können Wärme erzeugen und die Sonne kann ebenfalls die Raumtemperatur erhöhen.

Entfeuchtungsleistung

Bei gleicher Raumtemperatur ist die Entfeuchtungsleistung in höherer relativer Luftfeuchtigkeit höher und in niedriger relativer Luftfeuchtigkeit geringer. Bei gleicher relativer Luftfeuchtigkeit ist die Entfeuchtungsleistung bei höherer Temperatur höher und bei niedriger Temperatur geringer.

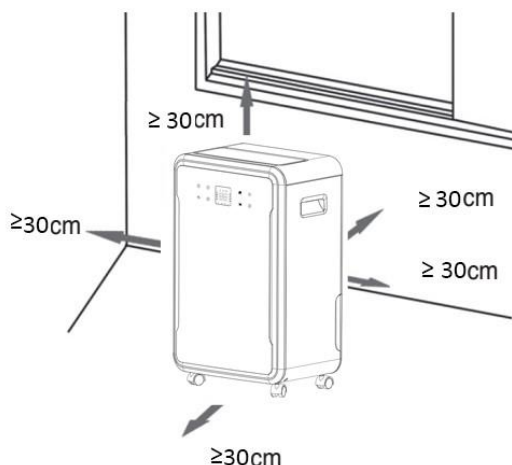
Das Gerät eignet sich zur Beseitigung von unangenehmer Luftfeuchte im Alltag und als Unterstützung beim Trocknen von Wäsche in Räumen. Es eignet sich aber nicht dazu, die Luftfeuchtigkeit sehr niedrig zu halten.

VOR DEM ERSTEN GEBRAUCH

- Um Schäden zu vermeiden, stellen Sie das Gerät vor der Inbetriebnahme mindestens 24 Stunden lang aufrecht hin.
- Nach dem Entfernen der Verpackung prüfen, ob sich das Gerät in einem guten Zustand befindet.
- Kinder nicht mit dem Verpackungsmaterial spielen lassen, da Erstickungsgefahr besteht.

Das Gerät muss auf einer ebenen Fläche aufgestellt werden, auf der der Luftein- bzw. -auslass nicht blockiert wird. Ein Mindestabstand von 30 cm sollte um das Gerät herum eingehalten werden. Um Energie zu sparen, halten Fenster und Tür geschlossen halten, wenn das Gerät in Betrieb ist.

Hinweis: Wenn der Luftentfeuchter durch Haushaltsgeräte wie Fernseher und Radios gestört wird, halten Sie diese Geräte bitte mehr als 70 cm vom Luftentfeuchter entfernt.



BEDIENUNG

Das Gerät an eine Steckdose anschließen. Ein Signalton ertönt. Das Gerät befindet sich im Standby-Modus.

Ein/Aus: Die Standby-Taste drücken, um das Gerät einzuschalten. Der Luftauslassdeckel öffnet sich automatisch. Die gegenwärtige Luftfeuchtigkeit wird im Bedienfeld angezeigt. Die Taste erneut drücken, um das Gerät auszuschalten. Wenige Sekunden später schließt sich der Luftauslassdeckel automatisch.

Einstellen der Luftfeuchtigkeit: Die Einstelltaste drücken, um die gewünschte Luftfeuchtigkeit in einem Bereich von 30 %-80 % einzustellen. Mit jedem Tastendruck wird die Luftfeuchtigkeit um 5 % erhöht, und nach 80 % kehrt der Wert wieder auf 30 % zurück. Die eingestellte Luftfeuchtigkeit blinkt mehrere Male auf dem Bedienfeld und dann wird die Umgebungsfeuchtigkeit angezeigt. Die Einstellung der Luftfeuchtigkeit ist nur im automatischen Modus gültig.

Lüfter: Die Lüfterbetriebstaste drücken, um den Lüftermodus zu aktivieren. Den Stufenwählschalter drücken, um eine niedrige oder hohe Stufe einzustellen. Die entsprechenden Anzeigelampen leuchten auf.

MODUS: Die Modus-Taste drücken, um den Modus auszuwählen: Automatischer Modus, Modus für niedrige Entfeuchtung, Modus für hohe Entfeuchtung.

1. **Automatischer Modus** In diesem Modus leuchtet die Anzeige für den automatischen Modus. Sowohl die Ventilatorstufe als auch die Luftfeuchtigkeit können im automatischen Modus eingestellt werden. Das Gerät hält automatisch die gewählte Luftfeuchtigkeit.
2. **Modus für geringe Entfeuchtung:** In diesem Modus arbeitet das Gerät bei beliebiger Raumfeuchte mit niedriger Ventilatorstufe und die Luftfeuchtigkeit kann nicht verändert werden. Die Umgebungsluftfeuchtigkeit wird auf dem Bedienfeld angezeigt.
3. **Modus für hohe Entfeuchtung:** In diesem Modus arbeitet das Gerät bei beliebiger Raumfeuchte mit hoher Ventilatorstufe und die Luftfeuchtigkeit kann nicht verändert werden. Die Umgebungsluftfeuchtigkeit wird auf dem Bedienfeld angezeigt.

Die Betriebsart kann zum Trocknen von Wäsche gewählt werden: Stellen Sie das Gerät zusammen mit dem Wäscheständer in einem Raum mit geschlossenen Türen auf.

TIMER:

Ausschaltautomatik einstellen

- Wenn das Gerät eingeschaltet ist, drücken Sie die Timer-Taste, um eine gewünschte Zeit für die automatische Abschaltung von 1 bis 24 Stunden zu wählen.
- Mit jedem Tastendruck wird die eingestellte Zeit um eine Stunde erhöht und nach 24 Stunden wird wieder die 1 angezeigt. Zum schnelleren Einstellen die Timer-Taste lange drücken.
- Der Timer blinkt einige Sekunden lang, dann leuchtet die Timer-Kontrollleuchte weiter. Auf dem Bedienfeld wird die Umgebungsfeuchtigkeit angezeigt. Die Timer-Einstellung ist damit bestätigt.
- Sobald die vorgewählte Anzahl der Stunden vorüber ist, schaltet sich das Gerät automatisch aus.

Einschaltautomatik einstellen

- Wenn das Gerät ausgeschaltet ist, drücken Sie die Timer-Taste, um eine gewünschte Zeit für die automatische Einschaltung von 1 bis 24 Stunden zu wählen.
- Die Einstellung des Timers erfolgt auf die gleiche Weise wie die der Abschaltautomatik.
- Die gewünschte Betriebsart kann gleichzeitig eingestellt werden.
- Das Gerät schaltet sich nach Ablauf der gewählten Zeit automatisch mit den eingestellten Funktionen ein.

Um den Timer abzubrechen, stellen Sie die Zeit auf 0 Stunden ein; der Timer piept mehrmals, dann erlischt die Timer-Kontrollleuchte.

KINDERSICHERUNG:

- Die Taste 3-5 Sekunden lang gedrückt halten, um alle anderen Tasten des Bedienfelds zu deaktivieren.
- Die Taste erneut 3-5 Sekunden lang gedrückt halten, um die anderen Tasten wieder zu entsperren.

SCHLAFMODUS.

- Drücken sie die Schlafmodustaste, um in den Schlafmodus zu wechseln. Drücken Sie die Taste erneut, um den Schlafmodus zu beenden.
- In diesem Modus sind alle Anzeigen außer der Schlafanzeige und der Anzeige für den vollen Wassertank ausgeschaltet.

Hinweis:

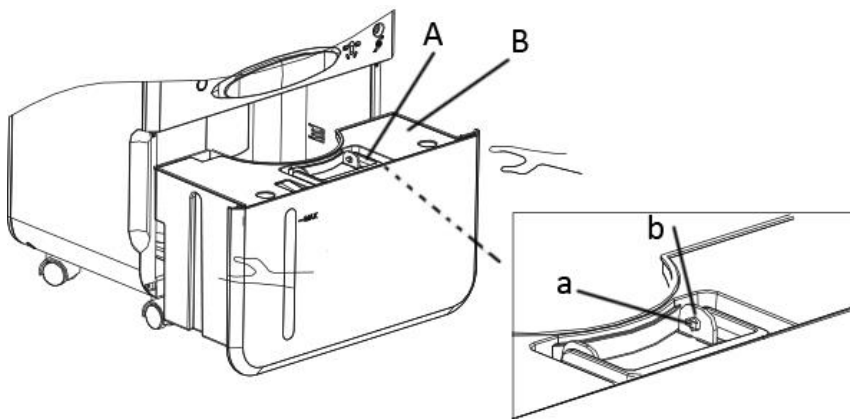
1. Dieses Gerät ist mit einer Speicherfunktion ausgestattet, sodass im Falle eines Stromausfalls alle Einstellungen erhalten bleiben, außer der Timer-Funktion.
2. **Wichtig:**
Störungscode "E2": Temperatur-/Luftfeuchtesensor defekt. Wenden Sie sich zur Inspektion und Wartung an einen Fachbetrieb.
Störungscode "E3": Wendelsensor defekt. Wenden Sie sich zur Inspektion und Wartung bitte an einen Fachbetrieb.

GESAMMELTES WASSER ABLASSEN

Wenn der Wassertank voll ist, leuchtet die Anzeige für einen vollen Wassertank auf. Der Betrieb stoppt automatisch und der Summer ertönt 20 Mal, um den Benutzer darauf hinzuweisen, dass das Wasser aus dem Wassertank entleert werden muss.

Den Wassertank entleeren.

1. Ziehen Sie den Wassertank aus dem Gerät.
2. Gießen Sie das aufgefangene Wasser weg.
3. Setzen Sie den Wassertank wieder ein.

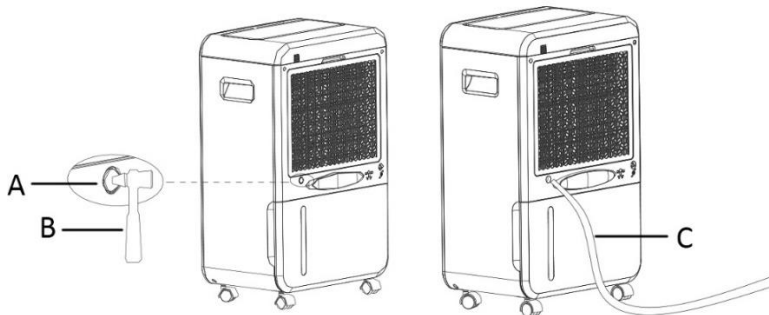


HINWEIS:

1. **Zum Abnehmen des Wassertankdeckels (B) muss zuerst die Griffmulde (A) abmontiert werden:** Die Lasche (a) an der Griffmulde (A) von der Aussparung (b) wegschieben. Auf die Richtung der Aussparung (b) achten.
2. Wenn Sie den Wassertank zurücksetzen, drücken Sie ihn mit beiden Händen fest in das Gerät.
3. Entfernen Sie den Schwimmer nicht aus dem Wassertank. Der Sensor für einen vollen Wassertank kann ohne den Schwimmer den Wasserstand nicht mehr richtig erkennen und es kann Wasser aus dem Wassertank austreten.

Kontinuierliche Wasserableitung

Das Gerät verfügt über eine Öffnung für einen kontinuierlichen Wasserabfluss. Den Deckel (A) zuerst sachte mit einem Hammer (B) losklopfen. Anschließend die Leitung C anschließen; Jetzt kann das Kondenswasser kontinuierlich abfließen. Verlegen Sie die Abflussleitungen mit Gefälle, um sicherzustellen, dass das Kondenswasser kontinuierlich abgeleitet werden kann. Nun wird das Kondenswasser durch diese Ablassöffnung abgeleitet und nicht mehr im Wassertank gesammelt.



REINIGUNG UND PFLEGE

Das Gerät muss regelmäßig gereinigt werden, um seine Lebensdauer zu verlängern und seine Funktionstüchtigkeit zu erhalten.

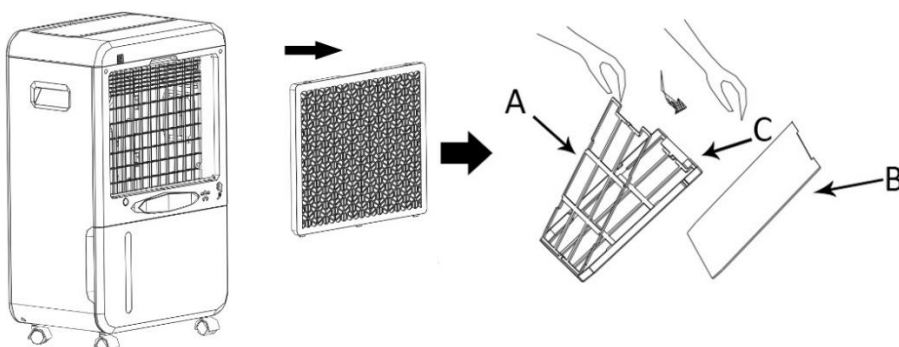
Warnung: Schalten Sie das Gerät vor jeder Reinigung aus und ziehen Sie den Netzstecker, um Stromschläge zu vermeiden. Verwenden Sie zur Reinigung weder heißes Wasser noch chemische Lösungsmittel.

1. Reinigen Sie den Wassertank regelmäßig mit kaltem oder warmem Wasser und trocknen Sie ihn mit einem weichen Tuch, um Schimmel zu vermeiden.
2. Reinigen Sie die Oberfläche des Geräts mit einem feuchten Tuch. Verwenden Sie keine Reinigungsmittel oder Scheuerschwämme, die eine Beschädigung der Kunststoffoberfläche verursachen können.
3. Reinigen Sie den Filter wie im folgenden Abschnitt beschrieben.
4. Wenn das Gerät über einen längeren Zeitraum nicht benutzt wird:
 - 1) Entleeren und trocknen Sie den Wassertank, und bauen Sie ihn wieder ein.
 - 2) Reinigen Sie den Filter.
 - 3) Stellen Sie das Gerät aufrecht hin und vermeiden Sie direkte Sonneneinstrahlung.

Filter

Im Inneren des Geräts befindet sich ein Filternetz, das regelmäßig entnommen und gereinigt werden muss. Die Entfeuchtungsleistung kann sich verringern, wenn das Filternetz durch Verunreinigungen verstopft ist.

- Entfernen Sie das Filternetz, lösen Sie das Netz (A) und das Filtergehäuse (C), um die Aktivkohleschicht (B) herauszunehmen.
- Das Netz und das Filtergehäuse können in Wasser (Temperatur < 40°C) gewaschen werden. Lassen Sie es vor der Installation gut trocknen.
- Die Aktivkohleschicht kann nicht in Wasser gereinigt werden. Sie können mit einem Staubsauger Staub entfernen. Es wird empfohlen, die Aktivkohleschicht (B) alle 3-6 Monate (je nach Nutzung) auszutauschen, um eine optimale Leistung des Geräts zu gewährleisten.



FEHLERBEHEBUNG

Problem	Mögliche Ursache	Lösung
Gerät funktioniert nicht	Prüfen, ob der Netzstecker eingesteckt ist	Einstecken
	Prüfen, ob der Wassertank voll ist	Den Wassertank entleeren.
	Prüfen, ob der Wassertank korrekt eingesetzt wurde	Korrekt einsetzen
	Prüfen, ob Luftauslassdeckel geöffnet ist	Luftauslassdeckel öffnen
Geringe Entfeuchtungsleistung	Ist der Filter verstopft?	Filter reinigen
	Ist der Lufteinlass oder Luftauslass verstopft?	Verstopfungen aus dem Luftauslass oder Lufteinlass entfernen
Starke Geräusche	Prüfen, ob das Gerät ordnungsgemäß aufgestellt wurde	Das Gerät auf einen glatten und stabilen Untergrund stellen
Stoppt während des Entfeuchtungsvorgangs	Prüfen, ob die Raumtemperatur außerhalb des Betriebsbereichs des Geräts liegt	Das Gerät kann automatisch starten, wenn die Raumtemperatur in den Betriebsbereich von 5-32°C zurückkehrt
Kleidung trocknet nicht schnell	Prüfen, ob die Raumtemperatur sehr niedrig ist	Nasse Kleidung kann bei niedrigen Temperaturen langsamer trocknen

Ereignis	Ursache
Kurzzeitiger Stopp während des Betriebs	Abtauen
Geringe Entfeuchtungsleistung	Die Entfeuchtungsleistung sinkt mit der Raumtemperatur und der Luftfeuchtigkeit.
Die Luftfeuchtigkeit des Raums kann nicht gesenkt werden.	Der Raum ist zu groß. Die Türen oder Fenster des Raums sind nicht geschlossen. Das Gerät wird zusammen mit anderen Geräten betrieben, die Wasserdampf freisetzen.
Unangenehmer Geruch	Der Geruch kann von der Wand, den Möbeln oder anderen Dingen stammen.
Das Gerät macht während des Betriebs ein Geräusch.	Das Geräusch, das durch das Fließen des Kältemittels verursacht wird, kann automatisch verschwinden oder sich verringern, während das System stabil arbeitet.
Im Tank befindet sich Wasser.	Da jedes Gerät vor dem Verlassen des Werks auf seine Funktion getestet wird, fließt auf dem Verdampfer zurückgebliebenes Wasser in den Tank zurück.

TECHNISCHE DATEN

Entfeuchtungsleistung	70 l/Tag (30 °C, 80 %)
Nennspannung	AC 220-240V
Nennfrequenz	50Hz
Nenneingangsleistung	1000W
Nennstrom	4.5A
Kältemittel	R290

GARANTIE UND KUNDENSERVICE

Vor der Lieferung werden unsere Geräte einer strengen Qualitätskontrolle unterzogen. Wenn, trotz aller Sorgfalt, während der Produktion oder dem Transport Beschädigungen aufgetreten sind, senden Sie das Gerät zurück an den Händler. Zusätzlich zu den gesetzlichen Rechten hat der Käufer die Option, gemäß den folgenden Bedingungen Gewährleistung zu fordern:

Wir bieten eine 2-Jahres-Gewährleistung für das erworbene Gerät, beginnend am Tag des Verkaufs. Defekte, die aufgrund von unangemessenem Umgang mit dem Gerät entstehen und Störungen aufgrund von Eingriffen und Reparaturen Dritter oder das Montieren von nicht-Originalteilen, werden nicht von dieser Garantie abgedeckt. Die Quittung immer aufbewahren, ohne Quittung wird jegliche Garantie ausgeschlossen. Bei Schäden durch Nichteinhalten der Bedienungsanleitung erlischt die Garantie, Wir sind für daraus resultierende Folgeschäden nicht haftbar. Für Materialschäden oder Verletzungen aufgrund falscher Anwendung oder Nichtbefolgen der Sicherheitshinweise sind wir nicht haftbar. Schäden an den Zubehörteilen bedeutet nicht, dass das gesamte Gerät kostenlos ausgetauscht wird. In diesem Fall kontaktieren Sie unseren Kundendienst. Zerbrochenes Glas oder Kunststoffteile sind immer kostenpflichtig. Schäden an Verbrauchsmaterialien oder Verschleißteilen, sowie Reinigung, Wartung, Austausch oder Kosten für Versand/Transport zum Reparaturort und zurück, der besagten Teile werden durch die Garantie nicht abgedeckt und sind deshalb kostenpflichtig.

UMWELTGERECHTE ENTSORGUNG



Wiederverwertung – Europäischen Richtlinie 2012/19/EG

Dieses Symbol zeigt an, dass das Produkt nicht zusammen mit Haushaltsabfällen entsorgt werden darf. Um Umwelt- und Gesundheitsschäden durch unkontrollierte Abfallentsorgung zu verhindern, bitte verantwortungsbewusst entsorgen, um die nachhaltige Wiederverwertung von Ressourcen zu fördern. Nutzen Sie zur Rückgabe Ihres Altgeräts bitte die Rückgabe- und Sammelsysteme oder wenden Sie sich an den Händler, bei dem Sie dieses Gerät erworben haben. Dieser kann das Gerät umweltschonend entsorgen.

Migros-Genossenschafts-Bund

Limmatstrasse 152

CH-8031 Zürich

ANWEISUNGEN FÜR DIE REPARATUR VON GERÄTEN, DIE R290 ENTHALTEN

1. Reparaturen

1) Prüfung des Bereichs

Vor Arbeiten an Systemen, die zündfähige Kältemittel enthalten, sind Sicherheitskontrollen erforderlich, um für eine Minimierung des Zündrisikos zu sorgen. Zur Reparatur von Kälteanlagen müssen die folgenden Sicherheitsvorkehrungen getroffen werden, bevor Arbeiten an den Anlagen durchgeführt werden.

2) Arbeitsweise

Die Arbeiten müssen unter kontrollierten Bedingungen ausgeführt werden, um das Risiko so gering wie möglich zu halten, dass während der Arbeiten zündfähige Gase oder Dämpfe vorhanden sind.

3) Allgemeines zum Arbeitsbereich

Das gesamte Wartungspersonal sowie andere, die in dem Arbeitsbereich tätig sind, müssen in die Art der auszuführenden Arbeiten eingewiesen werden. Arbeiten bei mangelndem Platzangebot sind zu vermeiden. Die Zone um den Arbeitsbereich herum muss abgesperrt werden. Es ist sicherzustellen, dass die Arbeitsbedingungen innerhalb der Zone durch eine Kontrolle des zündfähigen Materials sicher gemacht wurden.

4) Prüfung auf Kältemittel

Mit einem geeigneten Kältemittel-Detektor muss der Bereich vor Beginn und während der Arbeiten auf das Vorhandensein eines Kältemittels überprüft werden, damit das technische Personal über eine potenziell zündfähige Atmosphäre informiert ist. Das verwendete Lecksuchgerät muss für die Erkennung von zündfähigen Kältemitteln geeignet sein, d. h. es darf keine Funken bilden und es muss angemessen versiegelt bzw. eigensicher sein.

5) Prüfung auf Feuerlöschgeräte

Falls Heißenarbeiten an Kälteanlagen oder dazu gehörigen Komponenten durchzuführen sind, muss eine geeignete Feuerlöscheinrichtung griffbereit sein. Neben dem Einlaufbereich sollte ein Feuerlöschgerät mit Trockenpulver oder CO₂ bereit stehen.

6) Keine Zündquellen

Personen, die Arbeiten an einer Kälteanlage ausführen, bei denen Rohrleitungen freigelegt werden, in denen zündfähige Kältemittel geleitet werden oder wurden, dürfen Zündquellen keinesfalls auf eine Weise benutzen, die zu einer Brand- oder Explosionsgefahr führen kann. Alle möglichen Zündquellen wie etwa das Rauchen von Zigaretten sollten in genügend sicherem Abstand von dem Ort der Installation, Reparatur, Verlegung und Entsorgung fern gehalten werden, bei der unter Umständen zündfähiges Kältemittel an die Umgebung freigesetzt wird. Vor der Ausführung von Arbeiten muss der Bereich um die Anlage herum auf gefährliche Zündquellen oder Brandgefährdungen untersucht werden. „Rauchen verboten“ Schilder müssen aufgestellt werden.

7) Belüfteter Bereich

Der Arbeitsbereich muss sich im Freien befinden oder ausreichend belüftet werden, bevor die Anlage geöffnet wird oder Heißenarbeiten durchgeführt werden. Für den gesamten Zeitraum der Arbeitsausführung muss ein gewisser Grad an Belüftung aufrechterhalten bleiben. Die Belüftung muss das freigesetzte Kältemittel sicher verteilen und vorzugsweise nach außen an die Atmosphäre befördern können.

8) Überprüfung der Kälteanlage

Sofern Elektrokomponenten auszuwechseln sind, müssen diese für den jeweiligen Zweck geeignet sein und die richtigen technischen Eigenschaften besitzen. Die Wartungs- und Instandhaltungsvorschriften des Herstellers müssen stets befolgt werden. Im Zweifelsfall bei der technischen Abteilung des Herstellers rückfragen.

Folgende Kontrollen müssen bei Anlagen mit zündfähigen Kältemitteln durchgeführt werden:

- Die Einfüllmenge muss der Größe des Raums entsprechen, in dem die Kältemittel enthaltenden Teile installiert werden;
- Die Belüftungsmaschinen und Auslässe funktionieren einwandfrei und werden nicht blockiert;
- Bei Einsatz eines indirekten Kältemittelkreislaufs muss der sekundäre Kreislauf auf Kältemittelaustritte

- geprüft werden;
- Die Kennzeichnungen an der Anlage sind deutlich sichtbar und leserlich. Nicht lesbare Kennzeichnungen und Schilder müssen korrigiert werden;
- Kühlrohrleitungen oder Komponenten sind in Positionen installiert, in denen eine Gefährdung durch andere Stoffe, die Kältemittel enthaltende Komponenten angreifen können, unwahrscheinlich ist, es sei denn, die Komponenten bestehen aus Materialien, die stoffbedingt korrosionsresistent sind oder sie werden auf geeignete Weise vor Korrosion geschützt.

9) Prüfung elektrischer Geräte

Zu Reparatur- und Wartungsarbeiten an Elektroteilen gehören auch Sicherheits-Erstprüfungen sowie Arbeitsschritte zur Komponentenprüfung. Liegt ein Defekt vor, der die Sicherheit gefährden könnte, darf solange keine elektrische Versorgung an den Verbraucher angeschlossen werden, bis der Defekt zufriedenstellend behoben wurde. Sollte sich der Defekt nicht unmittelbar beheben lassen, jedoch der Betrieb fortgesetzt werden muss, muss auf eine angemessene Behelfslösung verwendet werden. Diese sollte dem Eigentümer der Anlage mitgeteilt werden, sodass alle Beteiligten informiert sind. Zu den Sicherheits-Erstprüfungen gehören folgende:

- Kondensatoren müssen entladen werden. Dies muss auf sichere Art und Weise geschehen, um eine Funkenbildung zu vermeiden;
- Beim Befüllen, Nachfüllen oder Spülen der Anlage dürfen keine stromführenden Komponenten und Leitungen frei liegen;
- Es muss eine durchgängige Verbindung zur Schutzterde vorhanden sein.

2) Reparaturen an versiegelten Komponenten

1) Bei Reparaturen an versiegelten Komponenten müssen alle elektrischen Versorgungseinrichtungen von der Anlage getrennt werden, an der Arbeiten ausgeführt werden, bevor versiegelte Schutzvorrichtungen o. ä. entfernt werden. Falls eine elektrische Versorgung der Anlage während der Wartungsarbeiten unvermeidlich ist, muss eine permanent arbeitende Leckerkennung an den kritischsten Stellen vorgesehen werden, um vor eventuellen Gefahrensituationen zu warnen.

2) Besondere Aufmerksamkeit sollte den nachfolgenden Punkten geschenkt werden, um sicher zu stellen, dass durch Arbeiten an den elektrischen Komponenten nicht die Umhausung soweit verändert wird, dass der Schutzgrad dadurch eingeschränkt wird. Dazu gehören unter anderem Kabelschäden, eine überhöhte Anzahl an Anschlüssen, Anschlüsse, die nicht nach Herstellerspezifikationen hergestellt werden, Schäden an Versiegelungen, eine falsche Montage von Kabeldurchführungen etc.

Sicher stellen, dass das Gerät fest aufgestellt ist. Sicher stellen, dass weder Versiegelungen noch Dichtstoffe so sehr gealtert sind, dass sie ein Eindringen zündfähiger Atmosphären nicht mehr verhindern und somit ihren Zweck nicht mehr erfüllen können. Ersatzteile müssen den Spezifikationen des Herstellers entsprechen.

HINWEIS: Die Verwendung von Silikondichtmitteln kann die Wirksamkeit mancher Leckdetektorgeräte beeinträchtigen. Eigensichere Komponenten müssen nicht elektrisch getrennt werden, bevor an ihnen gearbeitet wird.

3) Reparaturen an eigensicheren Komponenten

Keine permanenten induktiven oder kapazitiven Verbraucher an die Schaltung anlegen, wenn nicht dafür gesorgt ist, dass Spannung und Strom die zulässigen Grenzen für den Betrieb der Anlage überschreiten. Eigensichere Komponenten sind die einzigen Teile, an denen bei anliegendem Strom und zündfähiger Atmosphäre gearbeitet werden kann. Das Prüfinstrument muss die korrekten Bemessungswerte vorweisen. Komponenten nur durch Teile ersetzen, die vom Hersteller angegeben sind. Fremdteile können in der Atmosphäre einer Leckage zu einer Zündung des Kältemittels führen.

4) Kabelverbindungen

Kabelverbindungen auf Verschleiß, Korrosion, zu hohem Druck, Vibrationen, scharfe Kanten oder andere schädliche Umgebungsauswirkungen überprüfen. Bei der Prüfung sollten auch die Folgen von Alterung oder

dauernden Vibrationen aufgrund von Kompressoren oder Lüftern berücksichtigt werden.

5) **Erkennung zündfähiger Kältemittel**

Unter keinen Umständen dürfen potenzielle Zündquellen dafür benutzt werden, um Kältemittel-Leckagen zu lokalisieren oder zu detektieren. Ein Halogen-Lecksucher (oder jeder andere Detektor, der eine offene Flamme einsetzt) darf nicht benutzt werden.

6) **Verfahren der Leckerkennung**

Folgende Leckdetektor-Verfahren gelten als zulässig für Anlagen, die zündfähige Kältemittel enthalten.

Elektronische Leckdetektoren müssen für die Erkennung zündfähiger Kältemittel eingesetzt werden, jedoch ist die Empfindlichkeit unter Umständen nicht ausreichend oder sie müssen neu kalibriert werden. (Detektorgeräte müssen in einem Kältemittel freien Bereich kalibriert werden.) Sicher stellen, dass der Detektor keine potenzielle Zündquelle für das verwendete Kältemittel darstellt. Das Leckdetektorgerät muss auf einen Prozentsatz des LFL des Kältemittels eingestellt werden und es muss für das eingesetzte Kältemittel kalibriert werden. Die entsprechende Menge Gas (maximal 25 %) ist zu bestätigen. Flüssige Leckdetektoren eignen sich für die meisten Kältemittel, jedoch müssen chlorhaltige Detektoren vermieden werden, da das Chlor mit dem Kältemittel reagieren und Kupferrohrleitungen angreifen kann. Falls ein Leckverdacht besteht, sollten alle offenen Flammen entfernt bzw. gelöscht werden. Wenn ein Kältemittelleck gefunden wird und Hartlötarbeiten erforderlich sind, muss das gesamte Kältemittel aus der Anlage aufgefangen oder (durch Absperrschieber) in einen Teil der Anlage abgeschieden werden, der von der Leckstelle weit entfernt ist. Sauerstofffreier Stickstoff (OFN) muss anschließend zum Spülen der Anlage vor sowie während der Hartlötarbeiten eingesetzt werden.

7. **Entfernen und Evakuierung**

Wenn der Kältemittelkreis für Reparaturarbeiten oder für andere Zwecke unterbrochen wird, müssen herkömmliche Methoden verwendet werden. Es sollte dabei jedoch immer eine in der Praxis bewährte Vorgehensweise benutzt werden, da die Zündfähigkeit ein kritischer Punkt ist. Nach folgender Vorgehensweise richten:

- Kältemittel entfernen;
- Den Kreislauf mit einem Edelgas spülen;
- Evakuieren;
- Nochmals mit Edelgas spülen;
- Den Kreislauf durch Trennschneiden oder Hartlöten öffnen.

Das vorhandene Kältemittel in geeigneten Behältern auffangen. Um die Anlage sicher zu machen, mit sauerstofffreiem Stickstoff „spülen“. Der Vorgang muss eventuell mehrmals wiederholt werden. Für diese Aufgabe darf weder Druckluft noch Sauerstoff verwendet werden. Zum Spülen wird der Unterdruck in der Anlage mit sauerstofffreiem Stickstoff aufgehoben und weiter gefüllt, bis der Betriebsdruck erreicht ist. Danach wird der Stoff in die Atmosphäre entlüftet und der Unterdruck wieder hergestellt. Dieser Vorgang wird wiederholt, bis sich kein Kältemittel mehr in der Anlage befindet. Nach dem letzten Stickstoff-Spülgang wird die Anlage bis auf Atmosphärendruck entlüftet, damit die Arbeiten ausgeführt werden können. Dieser Vorgang ist ein absolutes Muss, wenn Hartlötarbeiten an den Rohrleitungen auszuführen sind. Dafür sorgen, dass der Auslauf der Unterdruckpumpe nicht in der Nähe von Zündquellen liegt und dass eine Belüftung verfügbar ist.

8. **Vorgehensweise beim Befüllen**

Abgesehen von den herkömmlichen Befüllungsarbeiten müssen die folgenden Anweisungen befolgt werden.

- Bei Einsatz der Einfüllgeräte dafür sorgen, dass keine Verunreinigung durch verschiedene Kältemittel stattfindet. Schläuche oder Leitungen müssen so kurz wie möglich sein, um die Menge des darin enthaltenen Kältemittels zu minimieren.
- Behälter müssen aufrecht gestellt werden.
- Dafür sorgen, dass die Kälteanlage geerdet wird, bevor das Kältemittel eingefüllt wird.

- Nach Abschluss der Befüllung muss die Anlage gekennzeichnet werden (sofern nicht schon geschehen).
- Es muss besonders darauf geachtet werden, dass die Kälteanlage nicht überfüllt wird.

Vor dem Auffüllen der Anlage sollte diese mittels sauerstofffreiem Stickstoff druckgeprüft werden. Nach Abschluss der Befüllung und vor der Inbetriebnahme muss die Anlage auf Dichtheit geprüft werden. Vor dem Verlassen des Ortes muss ein anschließender Lecktest durchgeführt werden.

9. Außerbetriebnahme

Vor diesen Arbeiten ist es unerlässlich, dass sich der Techniker mit der Anlage und allen zugehörigen Details auskennt. Es gilt als gute Vorgehensweise, sämtliches Kältemittel sicher aufzufangen. Vor Ausführung der Arbeiten muss eine Öl- und Kältemittelprobe genommen werden, falls vor der Wiederverwertung des Kältemittels eine Analyse durchgeführt werden muss. Bevor die Arbeit aufgenommen wird, muss unbedingt elektrischer Strom vorhanden sein.

- a) Die Anlage und ihre Funktionsweise müssen bekannt sein.
- b) Anlage elektrisch trennen.
- c) Vor den Arbeiten folgende Punkte sicher stellen:
 - Mechanische Transportanlage steht zur Verfügung, sofern diese für den Umgang mit den Kältemittelbehältern notwendig werden;
 - Die gesamte persönliche Schutzausrüstung steht zur Verfügung und wird korrekt eingesetzt;
 - Die Rückgewinnung wird von einer fachkundigen Person stets überwacht;
 - Die Anlagen und Behälter für die Rückgewinnung entsprechen den jeweiligen Standards.
- d) Falls möglich, die Kältemittelanlage entlüften.
- e) Sollte der Unterdruck nicht möglich sein, einen Verteiler vorsehen, damit das Kältemittel an verschiedenen Stellen der Anlage entnommen werden kann.
- f) Daran denken, den Behälter auf eine Waage zu stellen, bevor die Rückgewinnung stattfindet.
- g) Die Rückgewinnungsanlage starten und nach Anweisungen des Herstellers einsetzen.
- h) Die Behälter nicht überfüllen. (Nicht mehr als 80 % des flüssigen Füllvolumens).
- i) Den maximalen Betriebsdruck des Behälters nicht überschreiten, auch nicht vorübergehend.
- j) Wenn die Behälter korrekt befüllt wurden und der Vorgang abgeschlossen ist, müssen die Behälter und die Anlage möglichst bald vom Standort entfernt werden. Alle Absperrventile an der Anlage müssen verriegelt sein.
- k) Das aufgefangene Kältemittel darf nicht in eine andere Kälteanlage gefüllt werden, es sei denn, diese wurde gereinigt und überprüft.

10. Kennzeichnung

An der Anlage muss eine Kennzeichnung angebracht werden, die auf die Außerbetriebnahme und Entleerung des Kältemittels hinweist. Die Kennzeichnung muss datiert und unterzeichnet werden. Darauf achten, dass Schilder an der Anlage auf das enthaltene zündfähige Kältemittel aufmerksam machen.

11. Wiederverwertung

Beim Entfernen von Kältemittel aus einer Anlage zwecks Wartung oder Außerbetriebnahme wird es als gute praktische Vorgehensweise empfohlen, sämtliches Kältemittel sicher zu entfernen. Beim Umfüllen von Kältemittel in Behälter ist sicher zu stellen, dass nur für die Wiederverwertung geeignete Behälter eingesetzt werden. Dafür sorgen, dass genügend Behälter zur Aufnahme der gesamten Anlagenbefüllung zur Verfügung stehen. Alle zu benutzenden Behälter sind für das wiederverwendete Kältemittel gekennzeichnet und beschriftet (z. B. Spezialbehälter für Kältemittelverwertung). Die Behälter müssen mit Überdruckventilen und geeigneten Absperrventilen in gutem Betriebszustand ausgestattet sein. Leere Wiederverwertungsbehälter werden entfernt und, sofern möglich, gekühlt, bevor die Wiederverwertung stattfindet. Die Wiederverwertungsanlage muss sich in einem guten Betriebszustand befinden. Die vollständigen Unterlagen zu der Anlage müssen griffbereit sein und die Anlage muss für die Wiederverwertung zündfähiger Kältemittel geeignet sein. Außerdem müssen

mehrere Waagen zur Verfügung stehen und in gutem Zustand sein. Schläuche müssen vollständig mit dichten Kupplungsstücken zur Verfügung stehen und in gutem Zustand sein. Vor der Benutzung der Wiederverwertungsvorrichtung kontrollieren, ob sich diese in gutem Betriebszustand befindet, ordnungsgemäß instandgehalten wurde und ob alle zugehörigen elektrischen Komponenten versiegelt sind, um einen Zündvorgang zu verhindern, falls Kältemittel austritt. Im Zweifelsfall den Hersteller kontaktieren. Das abgefüllte Kältemittel muss im richtigen Auffangbehälter an den Kältemittel-Lieferanten zurückgeliefert werden. Dazu muss ein entsprechendes Altlasten-Transportavis ausgestellt sein. Kältemittel in Auffangbehältern und besonders in Fässern nicht vertauschen. Falls Kompressoren oder Kompressoröle entfernt werden müssen, ist dafür zu sorgen, dass diese bis zu einem geeigneten Maß aus der Anlage entfernt wurden, um sicher zu stellen, dass kein zündfähiges Kältemittel beim Schmierstoff verbleibt. Die Beseitigung muss ausgeführt werden, bevor der Kompressor an den Lieferanten zurückgesendet wird. Nur eine Elektroheizung am Kompressorgehäuse darf eingesetzt werden, um diesen Vorgang zu beschleunigen. Wenn Öl aus der Anlage abgelassen wird, muss dies sicher durchgeführt werden.

Fachkenntnisse des Wartungspersonals

Allgemeines

Eine besondere Schulung ist neben der üblichen Einweisung in die herkömmlichen Reparaturschritte für Kälteanlagen erforderlich, wenn es sich um Anlagen mit zündfähigen Kältemitteln handelt.

In vielen Ländern wird diese Schulung von nationalen Fortbildungsinstituten durchgeführt, die für die Unterweisung nach den einschlägigen nationalen und vom Gesetzgeber vorgeschriebenen Fachstandards akkreditiert sind.

Die erlangte Fachkompetenz muss durch ein Zertifikat nachgewiesen sein.

Schulung

Zum Schulungsumfang sollten folgende Themen gehören:

Informationen über das Explosionspotenzial zündfähiger Kältemittel, um deutlich zu machen, dass zündfähige Stoffe bei unachtsamer Handhabung gefährlich werden können.

Informationen über potenzielle Zündquellen, insbesondere solche, die nicht offensichtlich sind wie etwa Anzünder, Lichtschalter, Staubsauger, Elektroheizungen.

Informationen über die verschiedenen Sicherheitskonzepte:

Unbelüftet – Die Sicherheit einer Anlage hängt nicht von der Belüftung des Gehäuses ab. Das Abschalten des Geräts oder das Öffnen des Gehäuses beeinträchtigt die Sicherheit nicht erheblich. Es ist dennoch möglich, dass sich ausgetretenes Kältemittel im Gehäuse abgesetzt hat und dass beim Öffnen des Gehäuses eine zündfähige Atmosphäre freigesetzt wird.

Belüftetes Gehäuse – Die Sicherheit der Anlage hängt von der Belüftung des Gehäuses ab. Das Abschalten des Geräts oder das Öffnen des Gehäuses beeinträchtigt die Sicherheit erheblich. Auf eine ausreichende Belüftung sollte zuvor besonders geachtet werden.

Belüfteter Raum – Die Sicherheit der Anlage hängt von der Raumbelüftung ab. Das Abschalten des Geräts oder das Öffnen des Gehäuses beeinträchtigt die Sicherheit nicht erheblich. Die Belüftung des Raums darf während der Reparaturarbeiten nicht abgeschaltet werden.

Informationen über das Konzept versiegelter Komponenten und Gehäuse gemäß IEC 60079-15:2010.

Informationen über die richtigen Arbeitsmethoden:

a) Inbetriebnahme

- Sicher stellen, dass der Werkstattbereich für die Kältemittelfüllung ausreicht oder dass die Belüftungsleitung korrekt montiert wurde.
- Die Leitungen anschließen und einen Lecktest durchführen, bevor das Kältemittel eingefüllt wird.
- Vor der Inbetriebnahme die Sicherheitsausrüstung prüfen.

b) Wartung

- Tragbare Geräte müssen im Freien oder in einer Werkstatt repariert werden, die für die Reparatur von

Anlagen mit zündfähigen Kältemitteln besonders ausgestattet ist.

- Am Ort der Reparatur auf eine ausreichende Belüftung achten.
- Daran denken, dass eine Störung der Anlage durch Kältemittelverlust verursacht sein kann und dass ein Kältemittelleck möglich ist.
- Kondensatoren so entladen, dass sie keine Funken erzeugen. Bei der Standardmethode für das Entladen an den Kondensatoranschlüssen entstehen in der Regel Funken.
- Versiegelte Gehäuse müssen präzise wieder zusammengebaut werden. Verschlossene Dichtungen austauschen.
- Vor der Inbetriebnahme die Sicherheitsausrüstung prüfen.

c) Reparatur

Tragbare Geräte müssen im Freien oder in einer Werkstatt repariert werden, die für die Reparatur von Anlagen mit zündfähigen Kältemitteln besonders ausgestattet ist.

- Am Ort der Reparatur auf eine ausreichende Belüftung achten.
- Daran denken, dass eine Störung der Anlage durch Kältemittelverlust verursacht sein kann und dass ein Kältemittelleck möglich ist.
- Kondensatoren so entladen, dass sie keine Funken erzeugen.
- Falls Hartlöten notwendig ist, müssen die folgenden Arbeitsschritte in der richtigen Reihenfolge ausgeführt werden:

– Kältemittel entfernen. Falls eine Wiederverwertung nicht gesetzlich vorgeschrieben ist, das Kältemittel ins Freie ablassen. Dafür sorgen, dass das abgelassene Kältemittel keine Gefahren verursacht. Im Zweifelsfall sollte eine Person den Auslauf überwachen. Besonders darauf achten, dass abgelassenes Kältemittel nicht wieder in das Gebäude zurückströmt.

- Den Kältemittelkreislauf entleeren.
- Den Kältemittelkreislauf 5 Minuten lang mit Stickstoff spülen.
- Danach erneut entleeren.
- Auszutauschende Teile herausschneiden, ohne Flamme.
- Die Hartlötstelle während des Lötvorgangs mit Stickstoff spülen.
- Vor dem Einfüllen des Kältemittels einen Lecktest durchführen.

• Versiegelte Gehäuse müssen präzise wieder zusammengebaut werden. Verschlossene Dichtungen austauschen.

- Vor der Inbetriebnahme die Sicherheitsausrüstung prüfen.

d) Außerbetriebnahme

Wenn die Sicherheit bei der Außerbetriebnahme der Anlage beeinträchtigt ist, muss die Kältemittelbefüllung vor der Außerbetriebnahme entfernt werden.

- Für ausreichende Belüftung am Anlagenstandort sorgen.
- Daran denken, dass eine Störung der Anlage durch Kältemittelverlust verursacht sein kann und dass ein Kältemittelleck möglich ist.

• Kondensatoren so entladen, dass sie keine Funken erzeugen.

• Kältemittel entfernen. Falls eine Wiederverwertung nicht gesetzlich vorgeschrieben ist, das Kältemittel ins Freie ablassen. Dafür sorgen, dass das abgelassene Kältemittel keine Gefahren verursacht. Im Zweifelsfall sollte eine Person den Auslauf überwachen. Besonders darauf achten, dass abgelassenes Kältemittel nicht wieder in das Gebäude zurückströmt.

- Den Kältemittelkreislauf entleeren.
- Den Kältemittelkreislauf 5 Minuten lang mit Stickstoff spülen.
- Danach erneut entleeren.
- Bis zum Atmosphärendruck mit Stickstoff befüllen.
- An der Anlage ein Schild anbringen, das auf das entfernte Kältemittel hinweist.

e) Entsorgung

- Am Arbeitsort auf eine ausreichende Belüftung achten.
- Kältemittel entfernen. Falls eine Wiederverwertung nicht gesetzlich vorgeschrieben ist, das Kältemittel ins Freie ablassen. Dafür sorgen, dass das abgelassene Kältemittel keine Gefahren verursacht. Im Zweifelsfall sollte eine Person den Auslauf überwachen. Besonders darauf achten, dass abgelassenes Kältemittel nicht wieder in das Gebäude zurückströmt.
- Den Kältemittelkreislauf entleeren.
- Den Kältemittelkreislauf 5 Minuten lang mit Stickstoff spülen.
- Danach erneut entleeren.
- Den Kompressor herausschneiden und das Öl ablassen.

Transport, Kennzeichnung und Aufbewahrung von Anlagen, die zündfähige Kältemittel verwenden

Transport von Anlagen, die zündfähiges Kältemittel enthalten

Es wird darauf aufmerksam gemacht, dass zusätzliche Transportvorschriften für Anlagen mit zündfähigen Gasen vorhanden sein können. Die Höchstanzahl an Anlagenteilen oder die Konfiguration der Anlage, die zusammen transportiert werden dürfen, wird von den jeweils geltenden Transportvorschriften bestimmt.

Kennzeichnung der Anlage mittels Schildern

Schilder für ähnliche Anlagen, die generell in einem Arbeitsbereich eingesetzt werden, werden von örtlichen Vorschriften geregelt und legen die Mindestanforderungen an die Sicherheit und/oder an das Vorsehen von Warnschildern an einem Arbeitsort fest.

Alle vorgeschriebenen Schilder müssen instandgehalten werden. Arbeitgeber müssen dafür sorgen, dass die Mitarbeiter geeignete und ausreichende Anweisungen und Unterweisungen über die Bedeutung der jeweiligen Sicherheitsschilder und über die Maßnahmen erhalten, die in Verbindung mit diesen Schildern zu ergreifen sind. Die Wirkung der Schilder darf nicht durch ein Übermaß an Beschilderungen beeinträchtigt werden, die gemeinsam verwendet werden.

Alle verwendeten Piktogramme sollten so einfach wie möglich gehalten werden nur die wichtigsten Angaben enthalten.

Entsorgung von Anlagen mit zündfähigen Kältemitteln

Dazu wird auf die nationalen Vorschriften verwiesen.

Aufbewahrung von Anlagen/Geräten

Die Anlagen sollten den Herstelleranweisungen entsprechend aufbewahrt werden.

Aufbewahrung verpackter (nicht verkaufter) Anlagen

Der Schutz für verpackte Ware beim Einlagern sollte so konstruiert sein, dass mechanische Schäden an der Anlage in der Verpackung nicht zu einem Austreten von Kältemittel führen.

Die Höchstanzahl der Anlagen, die zusammen eingelagert werden dürfen, ist in den örtlichen Vorschriften vorgeschrieben.

Merci beaucoup d'avoir acheté nos produits. Afin de garantir un bon fonctionnement, merci de lire attentivement ce manuel et les instructions avant l'utilisation.

INSTRUCTIONS IMPORTANTES:

Lors de l'utilisation d'appareils électriques, des précautions élémentaires doivent toujours être prises afin de réduire le risque d'incendie, d'électrocution, de brûlures et autres blessures.

1. Lisez et conservez ces instructions. Attention: les images incluses dans le manuel d'instructions servent de référence seulement.
2. Cet appareil peut être utilisé par des enfants âgés de 8 ans et plus et les personnes ayant des capacités physiques, sensorielles ou mentales, ou un manque d'expérience et de connaissances si elles ont été formées et encadrées pour l'utilisation de cet appareil en toute sécurité et de comprendre la risques impliqués.
3. Les enfants ne doivent pas jouer avec l'appareil.
4. Le nettoyage et la maintenance ne doivent pas être effectués par des enfants sans surveillance.
5. Si le câble d'alimentation est endommagé, il doit être remplacé par le fabricant, son service après vente ou des personnes de qualification similaire afin d'éviter un danger.
6. Avant d'insérer la fiche de l'appareil dans une prise secteur, vérifiez que la tension et la fréquence du secteur correspondent aux spécifications indiquées sur la plaque signalétique. Il existe un risque potentiel de blessures par trébuchement sur le cordon électrique. Prenez vos précautions pour éviter toute situation dangereuse.
7. Si vous utilisez une rallonge électrique, elle doit être appropriée à la puissance consommée par l'appareil, sinon la rallonge et/ou la fiche risquent de chauffer

excessivement. Il existe un risque potentiel de blessures par trébuchement sur le cordon électrique. Prenez vos précautions pour éviter toute situation dangereuse.

8. Débranchez la fiche électrique de la prise électrique quand l'appareil n'est pas utilisé et avant de le nettoyer.
9. Veillez à ce que le cordon d'alimentation ne pende pas sur des arêtes coupantes et maintenez-le éloigné des objets chauds et des flammes nues.
10. N'immergez jamais l'appareil ou sa fiche dans de l'eau ni dans aucun autre liquide. Cela peut provoquer un choc électrique !
11. Pour débrancher la fiche de la prise, saisissez la fiche et tirez-la hors de la prise. Ne tirez pas sur le cordon d'alimentation.
12. Ne touchez pas l'appareil s'il tombe dans de l'eau. Débranchez la fiche de la prise électrique, éteignez l'appareil et rapportez-le au centre de réparation agréé pour le faire réparer.
13. Ne branchez pas et ne débranchez pas l'appareil de la prise électrique avec les mains mouillées.
14. N'essayez pas d'ouvrir le boîtier de l'appareil ni de réparer l'appareil vous-même. Cela peut provoquer un choc électrique.
15. Cet appareil n'est pas conçu pour un usage commercial. Utilisation en intérieur uniquement.
16. N'utilisez pas cet appareil à un usage autre que celui pour lequel il a été conçu.
17. N'enroulez pas le cordon d'alimentation autour de l'appareil et ne le pliez pas.
18. N'utilisez pas cet appareil dans une fenêtre car la pluie pourrait provoquer un choc électrique.
19. Débranchez l'appareil si des bruits étranges, une odeur ou de la fumée s'en échappent.
20. Éteignez l'appareil avant de le déplacer.
21. Ne posez pas d'objets lourds sur l'appareil.

22. Ne recouvrez pas l'entrée ou la sortie d'air avec des chiffons ou des serviettes.
23. Ne buvez pas ou n'utilisez pas l'eau évacuée par l'appareil.
24. Ne retirez pas le bac de récupération d'eau lorsque l'appareil fonctionne.
 - Videz le bac de récupération d'eau avant de déplacer l'appareil afin d'éviter les renversements.
 - Ne penchez pas l'appareil afin d'éviter de renverser de l'eau et d'endommager l'appareil.
 - N'insérez pas et ne laissez pas des corps étrangers pénétrer dans les ouvertures car cela pourrait provoquer un choc électrique, un incendie ou des dommages matériels.
25. Ne placez pas l'appareil près d'appareils générant de la chaleur ni près de matériaux inflammables ou dangereux.
26. Ne placez pas vos doigts ni aucun objet dans les orifices d'entrée ou de sortie d'air.
27. N'utilisez pas le déshumidificateur dans un endroit fermé, par exemple des toilettes, car cela peut provoquer un incendie.
28. L'appareil doit être installé conformément aux réglementations de câblage nationales.
29. Description du type et du calibre des fusibles : AC250V,3.15A T or F.
30. L'entretien ne doit être effectué que selon les recommandations du fabricant de l'appareil. L'entretien et les réparations nécessitant l'assistance d'un autre personnel qualifié doivent être effectués sous la supervision de la personne compétente pour l'utilisation de réfrigérants inflammables.
31. N'utilisez pas de moyens pour accélérer le processus de dégivrage ou pour nettoyer l'appareil, autres que ceux recommandés par le fabricant.
32. L'appareil doit être rangé dans une pièce où il n'y a pas de sources d'inflammation à risque (comme par exemple, une flamme nue, un appareil à gaz en fonctionnement ou un

appareil de chauffage électrique en marche).

33. Ne percez pas et ne brûlez pas l'appareil.
34. Sachez que les réfrigérants peuvent ne pas émettre d'odeur.
35. Si l'appareil est installé, utilisé ou stocké dans une zone non ventilée, la pièce doit être conçue de manière à prévenir l'accumulation de fuites de réfrigérant pouvant entraîner un risque d'incendie ou d'explosion dû à l'inflammation du réfrigérant provoquée par des radiateurs électriques, des cuisinières ou d'autres sources d'inflammation.
36. L'appareil doit être rangé de manière à éviter les pannes mécaniques.
37. Concernant les instructions de réparation des appareils contenant du R290, veuillez vous reporter aux paragraphes ci-dessous.
38. Afin d'éviter tout dommage, laissez l'appareil en position debout pendant au moins 24 heures avant de commencer à l'utiliser.



Avertissement : Risque d'incendie / Matériaux inflammables.



Lisez le manuel d'instructions.



Manuel de l'opérateur ; mode d'emploi.



Indications sur les réparations ; lisez le manuel technique.

Avertissement : Maintenez les orifices de ventilation dégagés de tout obstacle.

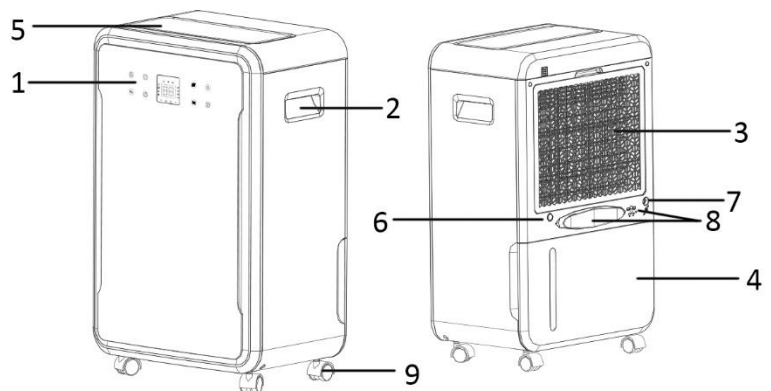
Avertissement : L'appareil doit être rangé dans une zone bien ventilée où la taille de la pièce correspond à celle spécifiée pour le fonctionnement.

La distance requise autour de l'appareil doit être d'au moins 30 cm.

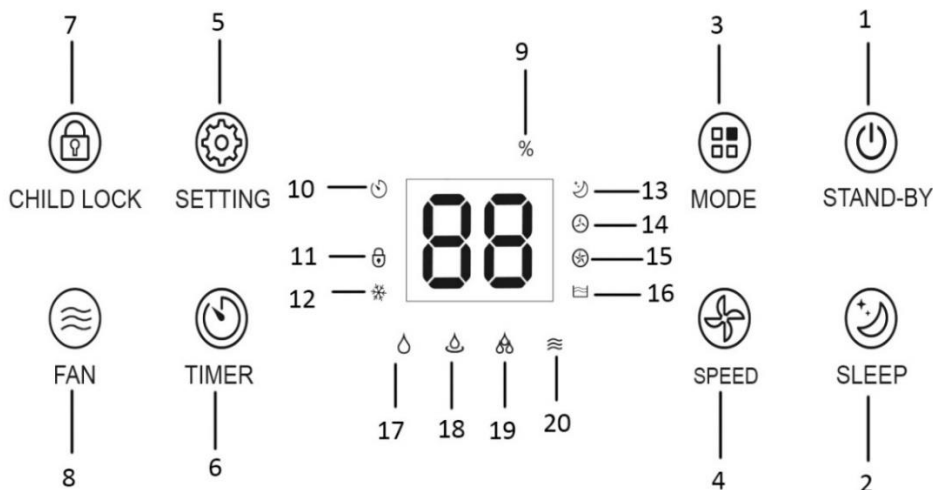
L'appareil doit être installé, utilisé et rangé dans une pièce dont la surface au sol est supérieure à 10.1 m².

DESCRIPTION DES PIÈCES

1. Panneau de commande
2. Poignée
3. Entrée d'air et filtre
4. Bac de récupération d'eau
5. Sortie d'air
6. Sortie de drainage en continu
7. Port de la pompe (aucune fonction pour ce modèle)
8. Espace de stockage pour le câble d'alimentation et la fiche
9. Roues



PANNEAU DE COMMANDE



1. Bouton de veille
2. Bouton du mode sommeil
3. Bouton « MODE » (Mode de déshumidification)
4. Bouton de vitesse
5. Bouton « SETTING » (Réglage du taux d'humidité)
6. Bouton « TIMER » (Minuterie)
7. Bouton de sécurité enfant
8. Bouton de mode ventilation
9. Témoin lumineux de l'humidité
10. Témoin lumineux de la minuterie
11. Témoin lumineux de la sécurité enfant
12. Témoin lumineux de la fonction de dégivrage
13. Indicateur lumineux du mode sommeil
14. Témoin lumineux de vitesse de ventilation faible (LOW)
15. Témoin lumineux de vitesse de ventilation élevée (HIGH)
16. Bac de récupération d'eau plein/bac de récupération d'eau mal positionné
17. Témoin lumineux du mode déshumidification automatique
18. Témoin lumineux du mode déshumidification faible
19. Témoin lumineux du mode déshumidification élevée
20. Témoin lumineux du mode ventilation

FONCTION DE DÉGIVRAGE

L'évaporateur du déshumidificateur peut entrer automatiquement et le témoin lumineux de la fonction de dégivrage est allumé. Le programme par défaut est comme ci-dessous :

Température ambiante < 5 °C : la fonction de dégivrage ne fonctionne pas.

5 °C ≤ Température ambiante ≤ 12 °C : pendant la déshumidification, toutes les 20 minutes, l'appareil bascule en mode dégivrage pendant environ 6 minutes. Le compresseur s'arrête de fonctionner et le ventilateur fonctionne à grande vitesse.

12 °C < Température ambiante ≤ 16 °C : pendant la déshumidification, toutes les 25 minutes, l'appareil bascule en mode dégivrage pendant environ 5 minutes. Le compresseur s'arrête de fonctionner et le ventilateur fonctionne à grande vitesse.

16 °C < Température ambiante : Si la température de la bobine est inférieure ou égale à -1 °C en continu pendant 2 minutes, la fonction de dégivrage sera activée pendant 5 minutes. Le compresseur s'arrête de fonctionner et le ventilateur fonctionne à grande vitesse.

La température de la pièce augmente lors de cette opération.

Le déshumidificateur n'est pas doté d'une fonction de refroidissement. Il produit de la chaleur lors de cette opération et la température de la pièce augmente de 1 à 4°C. Cette augmentation de température peut être significative dans les toilettes ou dans des pièces similaires. La température de la pièce peut également être d'autant plus élevée si les portes et les fenêtres sont fermées, si d'autres appareils électriques situés dans la pièce produisent de la chaleur, et en raison du rayonnement du soleil.

Capacité d'extraction d'eau

Pour une même température ambiante, la capacité d'extraction d'eau est plus élevée lorsque le taux d'humidité relative est plus élevé et la capacité d'extraction d'eau est plus faible lorsque le taux d'humidité relative est plus bas. Pour un même taux d'humidité relative, la capacité d'extraction d'eau est plus élevée lorsque la température est plus élevée et la capacité d'extraction d'eau est plus basse lorsque la température est plus basse.

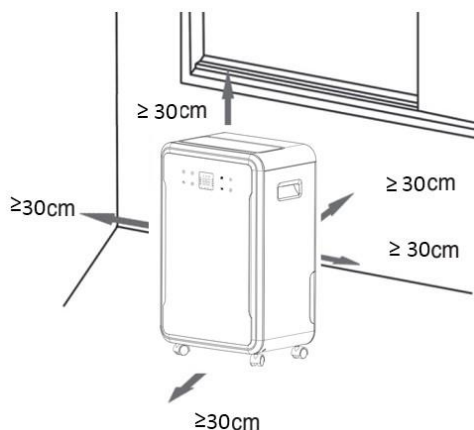
L'appareil est conçu pour éliminer l'humidité inconfortable de la vie quotidienne et pour servir de support au séchage des vêtements lavés à l'intérieur. Il ne convient pas pour maintenir l'humidité à un niveau très bas.

AVANT LA PREMIÈRE UTILISATION

- Afin d'éviter tout dommage, laissez l'appareil en position debout pendant au moins 24 heures avant de commencer à l'utiliser.
- Après l'avoir enlevé de l'emballage, vérifiez que l'appareil est en bon état.
- Ne laissez pas les enfants jouer avec les emballages. Risque d'étouffement.

L'appareil doit être installé sur une surface plane où l'entrée d'air/la sortie d'air ne sont pas bloquées. La distance requise autour de l'unité doit être d'au moins 30 cm. Par souci d'économie d'énergie, gardez les fenêtres et les portes fermées lorsque l'appareil fonctionne.

Remarque : Si le déshumidificateur reçoit des interférences d'appareils électriques voisins, tels que la télévision et le lecteur de radio-cassette, veillez à conserver une distance de plus de 70 cm avec ces appareils.



UTILISATION

Branchez l'appareil. Un bip retentit. L'appareil est en mode veille.

Marche/Arrêt : Appuyez sur le bouton veille pour allumer l'appareil. Le couvercle de la sortie d'air s'ouvrira automatiquement. Le panneau affichera le taux d'humidité actuel. Si vous appuyez à nouveau sur le bouton, l'appareil s'éteint. Le couvercle de la sortie d'air se fermera automatiquement quelques secondes plus tard.

Réglage du taux d'humidité : appuyez sur le bouton « SETTING » pour régler le taux d'humidité souhaité entre 30% et 80%. À chaque fois que vous appuyez sur le bouton, le taux d'humidité augmente de 5%. Une fois 80% atteint, la valeur retourne à 30% et un nouveau cycle commence. Le taux d'humidité réglé clignote plusieurs fois sur le panneau. Ensuite, le taux d'humidité actuel de la pièce s'affiche. Le réglage du taux d'humidité souhaité n'est disponible qu'en mode auto.

Ventilation : Appuyez sur le bouton du mode ventilation pour passer en mode ventilation. Appuyez sur le bouton de vitesse pour sélectionner la vitesse de ventilation faible ou élevée. Les témoins lumineux correspondants s'allument.

MODE : Appuyez sur le bouton « MODE » pour sélectionner le mode : Mode auto, mode de déshumidification faible, mode de déshumidification élevée.

1. Mode auto : Dans ce mode, le témoin lumineux du mode auto s'allume. La vitesse de ventilation et le taux d'humidité peuvent être réglés en mode auto. L'appareil maintient automatiquement le taux d'humidité réglé.
2. Mode de déshumidification faible : Dans ce mode, l'appareil fonctionne à vitesse de ventilation faible quel que soit le taux d'humidité de la pièce. Le taux d'humidité ne peut pas être changé. Le taux d'humidité de la pièce s'affiche sur le panneau.
3. Mode de déshumidification élevée : Dans ce mode, l'appareil fonctionne à vitesse de ventilation élevée quel que soit le taux d'humidité de la pièce. Le taux d'humidité ne peut pas être changé. Le taux d'humidité de la pièce s'affiche sur le panneau.

Le mode peut être sélectionné pour sécher des vêtements : Posez l'appareil dans une pièce, portes fermées, le long du séchoir à vêtements.

MINUTERIE :

Réglage de l'arrêt automatique

- Lorsque l'appareil est en marche, appuyez sur le bouton « TIMER » pour sélectionner une durée située entre 1 et 24 heures avant l'arrêt automatique.
- À chaque fois que vous appuyez sur le bouton, la durée augmente d'une heure. Une fois 24 heures atteint, la valeur retourne à 1 et un nouveau cycle commence. Vous pouvez également appuyer longtemps sur

le bouton « TIMER » pour faire défiler les chiffres rapidement.

- La durée réglée clignote pendant plusieurs secondes, puis le témoin lumineux de la minuterie s'allume sans clignoter ; le taux d'humidité de la pièce s'affiche. Le réglage de la minuterie est confirmé.
- L'appareil s'arrêtera automatiquement une fois que le temps pré-réglé est écoulé.

Réglage de la mise en marche automatique

- Lorsque l'appareil est éteint, appuyez sur le bouton « TIMER » pour sélectionner une durée située entre 1 et 24 heures avant la mise en marche automatique.
- Le réglage est effectué de la même manière que pour l'arrêt automatique.
- Vous pouvez régler le mode de fonctionnement souhaité en même temps.
- L'appareil démarre automatiquement et les fonctions choisies sont activées une fois que le temps pré-réglé est écoulé.

Pour annuler la minuterie, réglez-la sur 0 heure ; la durée clignote plusieurs fois puis le témoin lumineux de la minuterie s'éteint.

SÉCURITÉ ENFANT :

- Maintenez le bouton enfoncé pendant environ 3-5 secondes pour verrouiller tous les autres boutons du panneau.
- Maintenez de nouveau le bouton enfoncé pendant environ de 3-5 secondes pour déverrouiller tous les autres boutons.

MODE DE FONCTIONNEMENT AU RALENTI DE NUIT :

- Appuyez sur le bouton « SLEEP » pour passer en mode de fonctionnement au ralenti. Appuyez de nouveau sur le bouton pour quitter le mode de fonctionnement au ralenti.
- Dans ce mode, tous les voyants sont éteints sauf le témoin lumineux de fonctionnement au ralenti et le témoin lumineux de bac de récupération d'eau plein.

Avertissement :

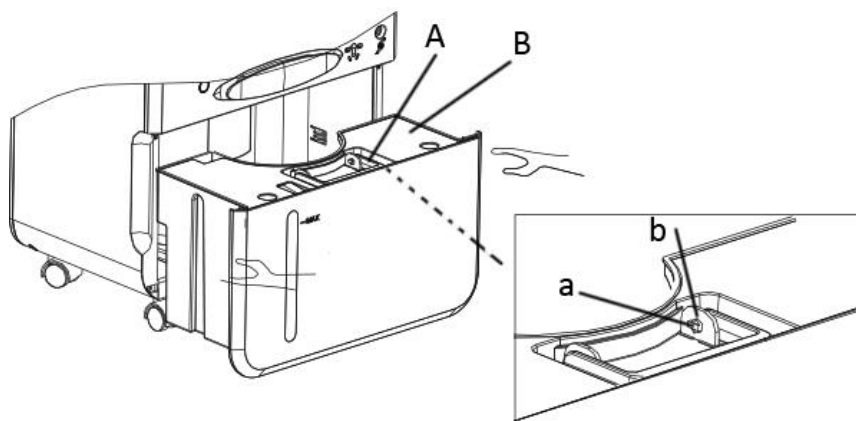
1. Cet appareil est équipé d'une fonction de mémoire en cas de coupure d'électricité. Seule la fonction de minuterie n'est pas mémorisée.
2. **Important :**
Code erreur « E2 » : Capteur de température/humidité endommagé ; veuillez contacter un professionnel pour qu'il examine et répare l'appareil.
Code erreur « E3 » : Capteur de la bobine endommagé ; veuillez contacter un professionnel pour qu'il examine et répare l'appareil.

VIDANGE DE L'EAU COLLECTÉE

Lorsque le bac de récupération d'eau est plein, le témoin lumineux de bac de récupération d'eau plein s'allume. L'appareil s'arrête automatiquement et un bip retentit 20 fois pour avertir l'utilisateur que le bac de récupération d'eau nécessite d'être vidé.

Vidage du bac de récupération d'eau

1. Retirez le bac de récupération d'eau de l'appareil.
2. Jetez l'eau collectée.
3. Remettez correctement en place le bac de récupération d'eau.

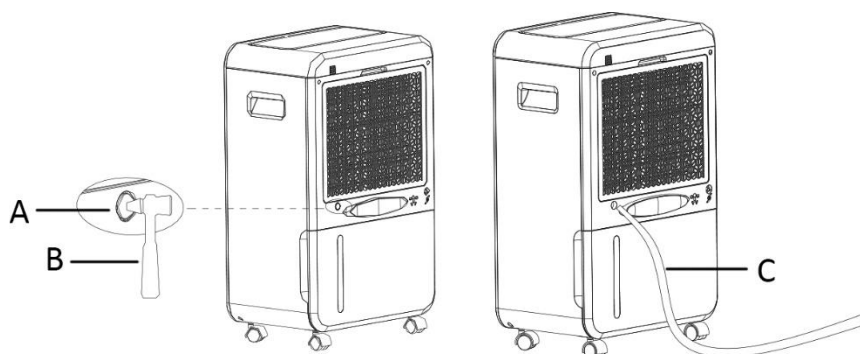


REMARQUE :

1. Si vous souhaitez retirer le couvercle du bac de récupération d'eau (B), vous devez d'abord détacher la poignée (A) : détachez le point de jonction (a) de la poignée (A) de la fente (b). Faites attention à la direction de la fente (b).
2. Lorsque vous remettez le bac de récupération d'eau en place, enfoncez-le bien avec les deux mains.
3. Ne retirez pas le flotteur du bac de récupération d'eau. Sans flotteur, le capteur de bac de récupération d'eau plein ne peut plus détecter le niveau d'eau correctement et l'eau est susceptible de déborder du bac de récupération.

Vidange d'eau en continu

L'appareil est doté d'un orifice de vidange en continu avec un bouchon. Tout d'abord, détachez doucement le couvercle (A) avec un marteau (B), puis raccordez le tuyau (C) ; l'eau condensée peut alors être vidangée en continu. Installez le tuyau de vidange en pente descendante afin que l'eau condensée puisse s'écouler et être vidangée en continu. L'eau condensée est alors vidangée par cet orifice et n'est plus recueillie dans le bac de récupération d'eau.



NETTOYAGE ET ENTRETIEN

L'appareil doit être régulièrement nettoyé pour prolonger sa durée de vie et pour qu'il continue à fonctionner correctement.

Avertissement : Avant toute opération de nettoyage, éteignez l'appareil et débranchez-le afin d'éviter les chocs électriques. N'utilisez pas d'eau chaude ou de produits chimiques pour le nettoyage.

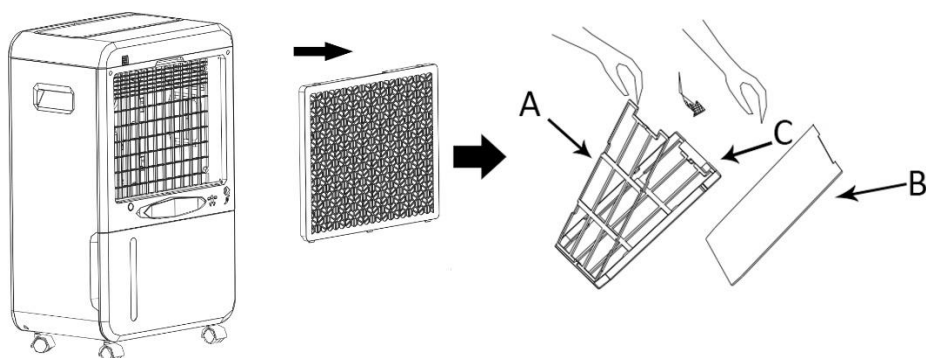
1. Nettoyez régulièrement le bac de récupération d'eau avec de l'eau froide ou de l'eau chaude et essuyez-le avec un chiffon doux afin d'éviter la formation de moisissure.
2. Nettoyez la surface de l'appareil à l'aide d'un chiffon humide. N'utilisez pas de détergents ou d'éponges abrasives pouvant endommager la surface plastique.
3. Nettoyez le filtre comme décrit dans la section suivante.
4. Avant toute période de non-utilisation prolongée :
 - 1) Videz et séchez le bac de récupération d'eau, puis remettez-le en place.

- 2) Nettoyez le filtre.
- 3) Posez l'appareil en position debout et évitez l'exposition à la lumière directe du soleil.

Filtre

Il y a un filtre à l'intérieur de l'appareil qui doit être retiré et nettoyé régulièrement. Lorsque le filtre est encrassé, la capacité d'extraction d'eau peut être réduite.

- Retirez le filtre, détachez le filtre (A) et le support du filtre (C) pour enlever la couche de charbon actif (B).
- Le filtre et le support du filtre peuvent être nettoyés à l'eau (température < 40°C). Séchez-les bien avant de les remettre en place.
- La couche de charbon actif ne peut pas être nettoyée à l'eau. Vous pouvez utiliser un aspirateur pour retirer la poussière. Il est recommandé de remplacer la couche de charbon actif (B) tous les 3-6 mois (selon l'utilisation) afin de garantir une performance optimale de l'appareil.



GUIDE DE DÉPANNAGE

Problème	Cause possible	Solution
L'appareil ne fonctionne pas	L'appareil n'est pas branché à l'alimentation	Branchez l'appareil
	Le bac de récupération d'eau est plein	Vidage du bac de récupération d'eau
	Le bac de récupération d'eau n'est pas bien positionné	Mettez-le bien en place
	Si le couvercle de la sortie d'air est ouvert	Ouvrez le couvercle de la sortie d'air
Capacité d'extraction d'eau faible	Le filtre est encrassé	Nettoyez le filtre
	L'entrée ou la sortie d'air sont obstruées	Retirez l'obstruction de l'entrée ou de la sortie d'air.
Gros bruits	L'appareil n'est pas bien placé	Placez l'appareil sur une surface plane et stable
Arrêt lors du processus de déshumidification	La température de la pièce n'est pas une température de fonctionnement pour l'appareil.	L'appareil peut démarrer automatiquement lorsque la température de la pièce est comprise entre 5 et 32°C
Les vêtements ne séchent pas rapidement	La température de la pièce est très basse	Les vêtements mouillés peuvent sécher plus lentement à basse température

Phénomène	Cause
Arrêt intermittent lors du fonctionnement	Le dégivrage
Capacité d'extraction d'eau faible	La capacité d'extraction d'eau diminue lorsque la température et le taux d'humidité de la pièce diminuent

Le taux d'humidité de la pièce ne peut pas être réduit	La pièce est trop grande Les portes ou les fenêtres de la pièce ne sont pas fermées L'appareil fonctionne en même temps que d'autres appareils qui libèrent de la vapeur
Odeur désagréable	L'odeur peut provenir du mur, des meubles ou d'autres choses
L'appareil fait du bruit lorsqu'il fonctionne	Le bruit provoqué par la circulation du réfrigérant peut disparaître ou diminuer automatiquement lorsque le système fonctionne de manière stable
Il y a de l'eau dans le bac de récupération	Chaque appareil est soumis à un test de fonctionnement avant de quitter l'usine. Il arrive que de l'eau soit resté dans l'évaporateur et s'écoule dans le bac de récupération d'eau

DONNÉES TECHNIQUES

Capacité d'extraction d'eau	70 l/jour (30°C, 80%)
Tension nominale	AC 220-240V
Fréquence nominale	50Hz
Puissance d'entrée nominale	1000W
Courant nominal	4.5A
Réfrigérant	R290

GARANTIE ET SERVICE APRÈS-VENTE

Nos appareils sont soumis à un contrôle de qualité strict avant d'être livrés. Si l'appareil a toutefois été endommagé lors de la production ou du transport en dépit des soins que nous lui donnons, retournez l'appareil au vendeur. En plus des droits juridiques, le client a la possibilité dans les limites de la garantie de déposer les réclamations suivantes:

Nous offrons une garantie de 2 ans pour l'appareil acheté à partir de la date de vente. Les défauts dus à une utilisation non conforme de l'appareil et les dommages dus à une intervention ou réparation faite par une tierce personne ou dus à l'installation de pièces qui ne sont pas d'origine ne sont pas couverts par cette garantie. Conservez toujours votre reçu, car sans celui-ci vous ne pourrez réclamer aucune sorte de garantie. Les dommages causés par le non-respect des instructions de ce manuel rendront la garantie caduque, nous déclinons toute responsabilité en cas de dommages indirects. Nous déclinons toute responsabilité en cas de dégâts matériels ou de dommages corporels causés par une utilisation inappropriée ou si les instructions de sécurité n'ont pas été convenablement observées. Si les accessoires sont endommagés, cela ne signifie pas que toute la machine sera remplacée gratuitement. Dans de tels cas, veuillez contacter notre assistance. Des pièces brisées en verre ou en plastique sont toujours sujettes à des frais. Les défauts des consommables ou des pièces susceptibles de s'user, ainsi que le nettoyage, l'entretien, réparation ou les frais d'expédition et de transport à destination et au départ de tout lieu de réparation. Desdites pièces ne sont pas couverts par la garantie et doivent donc être payés.

APPAREIL RESPECTUEUX DE L'ENVIRONNEMENT



Recyclage – Directive européenne 2012/19/EU

Ce symbole indique que le produit ne doit pas être jeté avec les ordures ménagères. Pour limiter les risques pour l'environnement et la santé entraînés par le rejet non contrôlé des déchets, recyclez ce dernier pour promouvoir une réutilisation responsable de ses matériaux. Pour recycler votre produit,

utilisez les réseaux de collecte de votre région ou prenez contact avec le revendeur du produit. Ce dernier pourra vous aider à le recycler.

Migros-Genossenschafts-Bund
Limmatstrasse 152
CH-8031 Zürich

INSTRUCTIONS POUR LA RÉPARATION DES APPAREILS CONTENANT DU R290

1) Réparation

1) Vérifications de la zone

Avant de commencer à travailler sur des systèmes contenant des frigorigènes inflammables, des contrôles de sécurité sont nécessaires pour réduire au minimum le risque d'inflammation. Pour réparer le système de réfrigération, les précautions suivantes doivent être respectées avant de procéder à des travaux sur le système.

2) Procédure de travail

Les travaux doivent être effectués selon une procédure contrôlée, de manière à minimiser le risque de présence de gaz ou de vapeurs inflammables pendant l'exécution des travaux.

3) Zone de travail général

Tout le personnel de maintenance et les autres personnes travaillant dans la zone concernée doivent être informés de la nature des travaux effectués. Les travaux dans des espaces confinés doivent être évités. La zone autour de l'espace de travail doit être divisée. Assurez-vous que les conditions dans la zone ont été sécurisées par le contrôle des matériaux inflammables.

4) Vérification de la présence de réfrigérant

La zone doit être vérifiée avec un détecteur de réfrigérant approprié avant et pendant le travail, afin de s'assurer que le technicien est conscient des atmosphères potentiellement inflammables. Assurez-vous que l'équipement de détection de fuite utilisé est adapté aux fluides frigorigènes inflammables, c'est-à-dire qu'il ne produit pas d'étincelles, qu'il est correctement scellé ou qu'il est intrinsèquement sûr.

5) Présence d'extincteur

Si des travaux à chaud doivent être effectués sur l'équipement de réfrigération ou sur toute pièce associée, un équipement d'extinction d'incendie approprié doit être à disposition. Installez un extincteur à poudre sèche ou à CO₂ à proximité de la zone de chargement.

6) Aucune source d'inflammation

Aucune personne effectuant des travaux en relation avec un système de réfrigération impliquant l'exposition de tuyauteries contenant ou ayant contenu un réfrigérant inflammable ne doit utiliser une source d'inflammation susceptible de provoquer un incendie ou une explosion. Toutes les sources d'inflammation possibles, y compris une cigarette allumée, doivent être suffisamment éloignées du lieu d'installation, de réparation, de retrait et d'élimination, pendant lesquelles un réfrigérant inflammable peut éventuellement être rejeté dans l'espace environnant. Avant le début des travaux, la zone autour de l'équipement doit être inspectée pour s'assurer qu'il n'y a pas de danger d'inflammabilité ou de risque d'inflammation. Des panneaux «Interdiction de fumer» doivent être affichés.

7) Zone ventilée

Assurez-vous que la zone est à l'air libre ou qu'elle est correctement ventilée avant de pénétrer dans le système ou d'effectuer des travaux à chaud. Une certaine ventilation doit être maintenue pendant la durée des travaux. La ventilation doit disperser en toute sécurité tout fluide réfrigérant libéré et de préférence l'expulser vers l'extérieur dans l'atmosphère.

8) Contrôles de l'équipement de réfrigération

Lorsque des composants électriques sont remplacés, ils doivent être adaptés à l'usage prévu et aux spécifications appropriées. Les directives du fabricant en matière de maintenance et d'entretien doivent être suivies à tout moment. En cas de doute, consultez le service technique du fabricant.

Les contrôles suivants doivent être appliqués aux installations utilisant des réfrigérants inflammables :

- La taille de la charge est conforme à la taille de la pièce dans laquelle les pièces contenant le réfrigérant sont installées ;
- Les machines de ventilation et les sorties d'air fonctionnent correctement et ne sont pas obstrués;
- Si un circuit de réfrigération indirect est utilisé, le circuit secondaire doit être vérifié pour la présence de réfrigérant ;

- Le marquage sur l'équipement continue d'être visible et lisible. Les marques et signes illisibles doivent être corrigés ;
- Les tuyaux ou composants de réfrigération sont installés dans une position où ils ne risquent pas d'être exposés à une substance susceptible de corroder les composants contenant du fluide frigorigène, à moins que les composants ne soient construits avec des matériaux présentant une résistance inhérente à la corrosion ou une protection adéquate contre la corrosion.

9) Contrôles des appareils électriques

La réparation et la maintenance des composants électriques doivent inclure les contrôles de sécurité initiaux et les procédures d'inspection des composants. S'il existe un défaut susceptible de compromettre la sécurité, aucune alimentation électrique ne doit être connectée au circuit jusqu'à ce que le problème soit résolu de manière satisfaisante. Si le défaut ne peut pas être corrigé immédiatement mais qu'il est nécessaire de poursuivre le fonctionnement, une solution temporaire adéquate doit être utilisée. Cela doit être signalé au propriétaire de l'équipement afin que toutes les parties soient informées. Les contrôles de sécurité initiaux doivent inclure :

- que les condensateurs soient déchargés : cela doit être fait de manière sûre pour éviter toute possibilité d'étincelle ;
- qu'il n'y a pas de composants électriques et de câbles sous tension qui soient exposés lors du chargement, de la récupération ou de la purge du système ;
- Qu'il existe une continuité de la mise à la terre.

2) Réparations des composants scellés

- 1) Pendant les réparations des composants scellés, toutes les alimentations électriques doivent être débranchées de l'équipement utilisé avant l'enlèvement des couvercles scellés, etc. S'il est absolument nécessaire d'avoir une alimentation électrique de l'équipement pendant la procédure d'entretien, un système permanent de détection de fuite doit être situé au point le plus critique pour avertir d'une situation potentiellement dangereuse.
- 2) Une attention particulière doit être portée aux points suivants afin de garantir que le travail sur les composants électriques ne modifie pas le boîtier de manière à ne pas nuire à la protection. Cela inclut les dommages sur les câbles, le nombre excessif de connexions, les bornes non conformes aux spécifications d'origine, les dommages sur les joints d'étanchéité, le mauvais montage des presse-étoupes, etc.

Assurez-vous que l'appareil est bien monté. Assurez-vous que les joints ou les matériaux d'étanchéité ne se sont pas dégradés de telle sorte qu'ils ne servent plus à empêcher la pénétration d'atmosphères inflammables. Les pièces de rechange doivent être conformes aux spécifications du fabricant.

REMARQUE : L'utilisation d'un produit d'étanchéité à base de silicone peut nuire à l'efficacité de certains types d'équipement de détection de fuites. Les composants de sécurité intrinsèque ne doivent pas nécessairement être isolés avant de travailler dessus.

3) Réparation des composants à sécurité intrinsèque

N'appliquez pas de charges inductives ou capacitives permanentes sur le circuit sans vous assurer que cela ne dépassera pas la tension et le courant admissibles pour l'équipement utilisé. Les composants à sécurité intrinsèque sont les seuls types sur lesquels on peut travailler tout en étant dans une atmosphère inflammable. L'appareil d'essai doit avoir les spécifications correctes. Remplacez les composants uniquement par des pièces spécifiées par le fabricant. D'autres pièces peuvent provoquer l'inflammation du réfrigérant dans l'atmosphère par une fuite.

4) Câblage

Vérifiez que le câblage ne sera pas soumis à l'usure, à la corrosion, à une pression excessive, aux vibrations, aux arêtes vives ou à tout autre effet nuisible. Le contrôle doit également prendre en compte les effets du

vieillessement ou des vibrations continues provenant de sources telles que les compresseurs ou les ventilateurs.

5) Détection de réfrigérants inflammables

En aucun cas, des sources d'inflammation potentielles ne doivent être utilisées pour rechercher ou détecter des fuites de réfrigérant. Une torche aux halogénures (ou tout autre détecteur utilisant une flamme nue) ne doit pas être utilisée.

6) Méthodes de détection de fuite

Les méthodes de détection des fuites suivantes sont jugées acceptables pour les systèmes contenant des frigorigènes inflammables.

Des détecteurs de fuites électroniques doivent être utilisés pour détecter les réfrigérants inflammables, mais la sensibilité peut ne pas être adéquate ou nécessiter un réétalonnage. (L'équipement de détection doit être étalonné dans une zone sans réfrigérant). Assurez-vous que le détecteur n'est pas une source potentielle d'inflammation et qu'il convient au réfrigérant utilisé. L'équipement de détection des fuites doit être réglé sur un pourcentage de la LF du réfrigérant et doit être étalonné sur le réfrigérant utilisé et le pourcentage de gaz approprié (25% maximum) confirmé. Les fluides de détection des fuites peuvent être utilisés avec la plupart des réfrigérants, mais l'utilisation de détergents contenant du chlore doit être évitée car le chlore peut réagir avec le réfrigérant et corroder les conduites en cuivre. Si une fuite est suspectée, toutes les flammes nues doivent être retirées / éteintes. Si une fuite de réfrigérant nécessitant un brasage est détectée, tout le réfrigérant doit être récupéré du système ou isolé (au moyen de vannes d'arrêt) dans une partie du système éloignée de la fuite. L'azote exempt d'oxygène (OFN) doit ensuite être purgé à travers le système avant et pendant le processus de brasage.

7. Retrait et évacuation

Lorsque vous accédez au circuit de fluide frigorigène pour effectuer des réparations - ou à toute autre fin - utilisez les procédures classiques. Cependant, il est important que les meilleures pratiques soient suivies car l'inflammabilité est dangereuse. La procédure suivante doit être respectée :

- Retirez le réfrigérant ;
- Purgez le circuit avec un gaz inerte ;
- Évacuez ;
- Purgez à nouveau avec un gaz inerte ;
- Ouvrez le circuit en coupant ou en brasant.

La charge de réfrigérant doit être récupérée dans les bouteilles de récupération adaptées. Le système doit être « vidé » avec de l'azote sans oxygène pour rendre l'unité sûre. Ce processus peut avoir besoin d'être répété plusieurs fois. L'air comprimé ou l'oxygène ne doit pas être utilisé pour cette tâche. Le rinçage doit être réalisé en rompant le vide dans le système avec de l'azote sans oxygène et en continuant à le verser jusqu'à atteindre la pression de fonctionnement, puis en le relâchant dans l'atmosphère et en le tirant finalement vers le vide. Ce processus doit être répété jusqu'à ce qu'il n'y ait plus de réfrigérant dans le système. Lorsque la dernière charge d'azote sans oxygène est utilisée, le système doit être purgé à la pression atmosphérique pour permettre le travail. Cette opération est absolument essentielle pour que des opérations de brasage sur la tuyauterie aient lieu. Assurez-vous que la sortie de la pompe à vide ne se trouve pas à proximité de sources d'inflammation et qu'il existe une ventilation.

8. Procédures de charge

En plus des procédures de charge conventionnelles, les exigences suivantes doivent être suivies.

- Assurez-vous que les différents réfrigérants ne soient pas contaminés lors de l'utilisation d'un équipement de charge. Les tuyaux ou les conduites doivent être aussi courts que possible pour minimiser la

quantité de réfrigérant qu'ils contiennent.

- Les bouteilles doivent être maintenues verticales.
- Assurez-vous que le système de réfrigération est mis à la terre avant de le charger en réfrigérant.
- Étiquetez le système lorsque le chargement est terminé (si ce n'est déjà fait).
- Un soin extrême doit être pris pour ne pas trop remplir le système de réfrigération.

Avant de recharger le système, il doit être testé sous pression avec de l'azote sans oxygène. Le système doit être soumis à un test d'étanchéité à la fin du chargement mais avant la mise en service. Un contrôle d'étanchéité doit être effectué avant de quitter le site.

9. Mise hors service

Avant d'effectuer cette procédure, il est essentiel que le technicien connaisse parfaitement l'équipement et tous ses détails. Il est recommandé, conformément aux bonnes pratiques, de récupérer tous les réfrigérants en toute sécurité. Avant l'exécution de la tâche, un échantillon d'huile et de fluide frigorigène doit être prélevé au cas où une analyse serait nécessaire avant la réutilisation du fluide frigorigène récupéré. Il est essentiel que l'alimentation électrique soit disponible avant le début de la tâche.

- a) Familiarisez-vous avec l'équipement et son fonctionnement.
- b) Isolez le système électriquement.
- c) Avant de tenter la procédure, assurez-vous que :
 - Un équipement de manutention mécanique est disponible, si nécessaire pour la manipulation des bouteilles de réfrigérant ;
 - Tous les équipements de protection individuelle sont disponibles et utilisés correctement.
 - Le processus de récupération est supervisé à tout moment par une personne compétente.
 - L'équipement de récupération et les bouteilles sont conformes aux normes appropriées.
- d) Pompez le système de réfrigérant, si possible.
- e) Si faire le vide n'est pas possible, créez un collecteur de sorte que le réfrigérant puisse être éliminé de différentes parties du système.
- f) Assurez-vous que la bouteille est située sur la balance avant la récupération.
- g) Démarrez la machine de récupération et opérez conformément aux instructions du fabricant.
- h) Ne remplissez pas trop les bouteilles. (Pas plus de 80% du volume de charge liquide).
- i) Ne dépassez pas la pression maximale de service de la bouteille, même temporairement.
- j) Lorsque les bouteilles ont été remplies correctement et que le processus est terminé, assurez-vous que les bouteilles et l'équipement sont retirés du site rapidement et que toutes les vannes d'isolement de l'équipement sont fermées.
- k) Le réfrigérant récupéré ne doit être chargé dans un autre système de réfrigération que s'il a été nettoyé et vérifié.

10. Étiquetage

L'équipement doit porter une étiquette indiquant qu'il a été mis hors service et vidé du réfrigérant. L'étiquette doit être datée et signée. Assurez-vous que l'équipement contient des étiquettes indiquant que celui-ci contient du réfrigérant inflammable.

11. Récupération

Lorsque vous retirez du fluide frigorigène d'un système, que ce soit pour un entretien ou une mise hors service, il est recommandé de retirer tous les réfrigérants de manière sûre. Lors du transfert de réfrigérant dans des bouteilles, veillez à n'utiliser que des bouteilles de récupération de réfrigérant appropriées. Assurez-vous que le nombre correct de bouteilles permettant de contenir la charge totale du système est disponible. Toutes les bouteilles à utiliser sont désignées pour le réfrigérant récupéré et étiquetés pour ce réfrigérant (c'est-à-dire des bouteilles spéciales pour la récupération du réfrigérant). Les bouteilles doivent être équipées d'une soupape de

surpression et des vannes d'arrêt associées en bon état de fonctionnement. Les bouteilles de récupération vides sont évacuées et, si possible, refroidies avant la récupération. L'équipement de récupération doit être en bon état de fonctionnement, avec un ensemble d'instructions concernant l'équipement disponible et doit être adapté à la récupération des réfrigérants inflammables. En outre, un jeu de balances étalonnées doit être disponible et en bon état de fonctionnement. Les flexibles doivent être complets avec des raccords débranchés sans fuite et en bon état. Avant d'utiliser la machine de récupération, assurez-vous qu'elle est en bon état de fonctionnement, correctement entretenue et que tous les composants électriques associés sont scellés pour éviter toute inflammation en cas de libération de réfrigérant. Consultez le fabricant en cas de doute. Le fluide frigorigène récupéré doit être renvoyé au fournisseur de fluide frigorigène dans la bouteille de récupération appropriée, et le billet de transfert de déchets correspondant doit être préparé. Ne mélangez pas les réfrigérants dans les unités de récupération et surtout pas dans les bouteilles. Si les compresseurs ou leurs huiles doivent être éliminés, assurez-vous qu'ils ont été évacués à un niveau acceptable pour vous assurer que le réfrigérant inflammable ne reste pas dans le lubrifiant. Le processus d'évacuation doit être effectué avant de retourner le compresseur aux fournisseurs. Seul un chauffage électrique du boîtier du compresseur doit être utilisé pour accélérer ce processus. Lorsque l'huile est évacuée d'un système, elle doit être effectuée en toute sécurité.

Compétence du personnel de service

Général

Une formation spéciale, en plus des procédures de réparation habituelles des équipements frigorifiques, est nécessaire lorsqu'un équipement contenant des réfrigérants inflammables est affecté.

Dans de nombreux pays, cette formation est assurée par des organismes d'entraînement nationaux accrédités pour enseigner les normes de compétences nationales pertinentes pouvant être définies dans la législation.

Les compétences acquises doivent être documentées par un certificat.

Formation

La formation doit inclure les éléments suivants :

Des informations sur le potentiel d'explosion des réfrigérants inflammables pour montrer que les produits inflammables peuvent être dangereux lorsqu'ils sont manipulés sans précaution.

Des informations sur les sources d'inflammation potentielles, en particulier celles qui ne sont pas évidentes, telles que briquets, interrupteurs d'éclairage, aspirateurs, radiateurs électriques.

Des informations sur les différents concepts de sécurité:

Non ventilé - La sécurité de l'appareil ne dépend pas de la ventilation du boîtier. La mise hors tension de l'appareil ou l'ouverture du boîtier n'a pas d'incidence significative sur la sécurité. Néanmoins, il est possible que du réfrigérant qui s'échappe s'accumule à l'intérieur du boîtier et une atmosphère inflammable se dégage à l'ouverture du boîtier.

Boîtier ventilé - La sécurité de l'appareil dépend de la ventilation du boîtier. La mise hors tension de l'appareil ou l'ouverture du boîtier ont un impact significatif sur la sécurité. Des précautions doivent être prises pour assurer une ventilation suffisante au préalable.

Pièce ventilée - La sécurité de l'appareil dépend de la ventilation de la pièce. La mise hors tension de l'appareil ou l'ouverture du boîtier n'a pas d'incidence significative sur la sécurité. La ventilation de la pièce ne doit pas être arrêtée pendant les procédures de réparation.

Informations sur le concept de composants et d'enceintes étanches selon IEC 60079-15: 2010.

Des informations sur les procédures de travail correctes :

- a) Mise en service
 - Assurez-vous que la surface au sol est suffisante pour la charge de réfrigérant ou que le tuyau de ventilation est correctement assemblé.
 - Raccordez les tuyaux et effectuez un test d'étanchéité avant de charger du réfrigérant.
 - Vérifiez les équipements de sécurité avant la mise en service.
- b) Maintenance

- Les équipements portables doivent être réparés à l'extérieur ou dans un atelier spécialement équipé pour manipuler les unités avec des réfrigérants inflammables.
- Assurez une ventilation suffisante sur le lieu de réparation.
- Sachez qu'un dysfonctionnement de l'équipement peut être causé par une perte de réfrigérant et qu'une fuite de réfrigérant est possible.
- Déchargez les condensateurs de manière à ne causer aucune étincelle. La procédure standard pour court-circuiter les bornes du condensateur crée généralement des étincelles.
- Remontez les boîtiers scellés avec précision. Si les joints sont usés, remplacez-les.
- Vérifiez les équipements de sécurité avant la mise en service.

c) Réparations

- Les équipements portables doivent être réparés à l'extérieur ou dans un atelier spécialement équipé pour manipuler les unités avec des réfrigérants inflammables.
- Assurez une ventilation suffisante sur le lieu de réparation.
- Sachez qu'un dysfonctionnement de l'équipement peut être causé par une perte de réfrigérant et qu'une fuite de réfrigérant est possible.
- Déchargez les condensateurs de manière à ne causer aucune étincelle.
- Lorsqu'un brasage est requis, les procédures suivantes doivent être effectuées dans le bon ordre :
 - Retirez le fluide frigorigène. Si la récupération n'est pas exigée par les réglementations nationales, vidangez le réfrigérant vers l'extérieur. Veillez à ce que le réfrigérant drainé ne présente aucun danger. En cas de doute, une personne doit observer la sortie. Veillez à ce que le réfrigérant drainé ne retourne pas dans le bâtiment.
 - Évacuez le circuit frigorifique.
 - Purgez le circuit de réfrigérant à l'azote pendant 5 minutes.
 - Évacuez à nouveau.
 - Enlevez les pièces à remplacer en les coupant et non en les enflammant.
 - Purgez le point de brasage à l'azote pendant le processus de brasage.
 - Effectuez un test d'étanchéité avant de charger du réfrigérant.
- Remontez les boîtiers scellés avec précision. Si les joints sont usés, remplacez-les.
- Vérifiez les équipements de sécurité avant la mise en service.

d) Mise hors service

- Si la sécurité est affectée lorsque l'équipement est mis hors service, la charge de réfrigérant doit être retirée avant la mise hors service.
- Assurez une ventilation suffisante à l'emplacement de l'équipement.
- Sachez qu'un dysfonctionnement de l'équipement peut être causé par une perte de réfrigérant et qu'une fuite de réfrigérant est possible.
- Déchargez les condensateurs de manière à ne causer aucune étincelle.
- Retirez le fluide frigorigène. Si la récupération n'est pas exigée par les réglementations nationales, vidangez le réfrigérant vers l'extérieur. Veillez à ce que le réfrigérant drainé ne présente aucun danger. En cas de doute, une personne doit observer la sortie. Veillez à ce que le réfrigérant drainé ne retourne pas dans le bâtiment.
- Évacuez le circuit frigorifique.
- Purgez le circuit de réfrigérant à l'azote pendant 5 minutes.
- Évacuez à nouveau.
- Versez l'azote jusqu'à la pression atmosphérique.
- Placez une étiquette sur l'équipement indiquant que le réfrigérant est retiré.

e) Mise au rebut

- Assurez une ventilation suffisante sur le lieu de travail.
- Retirez le fluide frigorigène. Si la récupération n'est pas exigée par les réglementations nationales,

vidangez le réfrigérant vers l'extérieur. Veillez à ce que le réfrigérant drainé ne présente aucun danger. En cas de doute, une personne doit observer la sortie. Veillez à ce que le réfrigérant drainé ne retourne pas dans le bâtiment.

- Évacuez le circuit frigorifique.
- Purgez le circuit de réfrigérant à l'azote pendant 5 minutes.
- Évacuez à nouveau.
- Découpez le compresseur et vidangez l'huile.

Transport, marquage et stockage pour les unités utilisant des réfrigérants inflammables

Transport d'équipements contenant des frigorigènes inflammables

L'attention est attirée sur le fait que des réglementations supplémentaires en matière de transport peuvent exister pour les équipements contenant des gaz inflammables. Le nombre maximal d'équipements ou la configuration des équipements pouvant être transportés ensemble sera déterminé par les réglementations de transport applicables.

Marquage de l'équipement à l'aide de panneaux

Les panneaux relatifs à des appareils similaires utilisés dans une zone de travail sont généralement régies par les réglementations locales et définissent les exigences minimales en matière de signalisation de sécurité et / ou de santé pour un lieu de travail .

Tous les panneaux requis doivent être entretenus et les employeurs doivent veiller à ce que les employés reçoivent des instructions et une formation appropriées et suffisantes sur la signification des panneaux de sécurité appropriés et sur les mesures à prendre en relation avec ces panneaux.

L'efficacité des panneaux ne doit pas être diminuée par un trop grand nombre de panneaux placés ensemble.

Tous les pictogrammes utilisés doivent être aussi simples que possible et ne contenir que des détails essentiels.

Mise au rebut des équipements utilisant des réfrigérants inflammables

Reportez-vous aux réglementations nationales.

Rangement des équipements / appareils

Le stockage de l'équipement doit être conforme aux instructions du fabricant.

Stockage du matériel emballé (invendu)

La protection de l'emballage de stockage doit être conçue de manière à ce que les dommages mécaniques causés à l'équipement à l'intérieur de l'emballage ne provoquent pas une fuite de la charge de réfrigérant.

Le nombre maximal d'équipements pouvant être stockés ensemble sera déterminé par la réglementation locale.

La ringraziamo per aver acquistato i nostri prodotti. Per garantire il corretto funzionamento dell'unità, leggere attentamente il presente manuale di istruzioni prima dell'uso.

ISTRUZIONI IMPORTANTI:

Quando si utilizzano apparecchiature elettriche, è sempre necessario seguire alcune precauzioni di base per ridurre il rischio di incendi, scosse elettriche, ustioni e lesioni di altro tipo.

1. Leggere e conservare queste istruzioni. Attenzione! Le immagini contenute nel manuale sono esclusivamente a scopo di riferimento.
2. Questo dispositivo può essere utilizzato da bambini dagli 8 anni in su e da persone con ridotte capacità fisiche, sensoriali o mentali o che non abbiano la necessaria esperienza e conoscenza se hanno ricevuto adeguate istruzioni per utilizzare il dispositivo in maniera sicura e hanno compreso i rischi impliciti.
3. I bambini non devono giocare con il dispositivo.
4. La pulizia e la manutenzione da parte dell'utente non deve essere effettuata da bambini senza supervisione.
5. Se il cavo di alimentazione è danneggiato, farlo sostituire dal produttore, dal servizio assistenza o personale qualificato per evitare pericoli.
6. Prima di collegare la spina alla presa di corrente, verificare che il voltaggio e la frequenza siano conformi alle specifiche riportate sulla targa dell'apparecchio.
7. Eventuali prolunghere elettriche utilizzate devono essere adatte al consumo di energia dell'apparecchio per evitare il surriscaldamento della prolunga e/o della spina. Prestare attenzione a non inciampare sulla prolunga per evitare il rischio di lesioni. Prestare attenzione a evitare situazioni di pericolo.

8. Scollegare la spina dalla presa di corrente quando l'apparecchio non è in uso e prima di pulirlo.
9. Assicurarci che il cavo di alimentazione non penda da bordi appuntiti e tenerlo lontano da oggetti caldi e fiamme libere.
10. Non immergere l'apparecchio o la spina in acqua o altri liquidi. Pericolo di morte a causa delle scosse elettriche!
11. Per scollegare la spina dalla presa di corrente, tirare la spina e non il cavo.
12. Non toccare l'apparecchio se è caduto nell'acqua. Scollegare la spina dalla presa di corrente, spegnere l'apparecchio e inviarlo a un centro di assistenza autorizzato per la riparazione.
13. Non collegare o scollegare l'apparecchio dalla presa di corrente con le mani bagnate.
14. Non tentare mai di aprire l'involucro dell'apparecchio o di riparare l'apparecchio per evitare il rischio di scossa elettrica.
15. Questo apparecchio non è progettato per l'uso commerciale. Per il solo uso in interni.
16. Non usare l'apparecchio per scopi diversi da quelli previsti.
17. Non avvolgere il cavo intorno all'apparecchio e non piegarlo.
18. Non usare l'apparecchio in prossimità di finestre perché la pioggia comporta il rischio di scossa elettrica.
19. Scollegare l'apparecchio dalla presa di corrente se emette fumo o rumori o odori anomali.
20. Spegnere l'apparecchio prima di spostarlo.
21. Non posizionare oggetti pesanti sull'apparecchio.
22. Non coprire le aperture di ingresso o uscita dell'aria con panni.
23. Non bere e non usare l'acqua di condensa.
24. Non estrarre il serbatoio dell'acqua quando l'apparecchio è in funzione.
 - Svuotare il serbatoio dell'acqua prima di spostare l'apparecchio per evitare fuoriuscite.

- Non inclinare l'apparecchio per evitare la fuoriuscita di acqua e danni all'apparecchio.
 - Non inserire oggetti estranei nelle aperture dell'apparecchio per evitare il rischio di scossa elettrica, incendio e danni all'apparecchio.
25. Non mettere l'unità vicino a dispositivi che generano calore o vicino a materiali infiammabili e pericolosi.
 26. Non mettere mai le dita o oggetti nell'ingresso o uscita dell'aria.
 27. Non utilizzare il deumidificatore in un luogo chiuso come all'interno di un armadio, dato che si potrebbe provocare un incendio.
 28. L'apparecchio deve essere installato conformemente alle normative elettriche in vigore.
 29. Specifiche dei fusibili: AC250V,3.15A T or F.
 30. Le operazioni di manutenzione devono essere effettuate esclusivamente come raccomandato dal costruttore. Le operazioni di manutenzione e riparazione che richiedono l'assistenza di altro personale specializzato devono essere effettuate sotto la supervisione della persona competente nell'uso di refrigeranti infiammabili.
 31. Non utilizzare modalità di pulizia o accelerazione del processo di sbrinamento diverse da quelli raccomandate dal costruttore.
 32. Questo apparecchio deve essere conservato in un locale privo di fonti di accensione in modalità di funzionamento continuo (ad esempio: fiamme nude, apparecchi a gas in funzione, radiatori elettrici in funzione).
 33. Non forare o bruciare l'apparecchio.
 34. I refrigeranti possono essere inodore.
 35. Se l'apparecchio è installato, utilizzato o conservato in un'area non ventilata, la stanza deve essere progettata per evitare l'accumulo di perdite di refrigerante. La presenza di radiatori elettrici, fornelli o altre fonti di ignizione possono incendiare il refrigerante.

36. L'apparecchio deve essere conservato in modo tale da evitare danni meccanici.
37. Per le istruzioni relative alla riparazione di apparecchi contenenti R290, consultare i seguenti paragrafi del manuale.
38. Per evitare il rischio di danni, lasciare l'apparecchio in posizione verticale per almeno 24 ore prima di avviarlo.



Avvertenza! Rischio di incendio. / Materiali infiammabili.



Leggere il manuale di istruzioni.



Manuale di istruzioni. / Istruzioni per l'uso.



Istruzioni per la riparazione. Leggere il manuale

tecnico.

Avvertenza! Mantenere le aperture di ventilazione prive di ostruzioni.

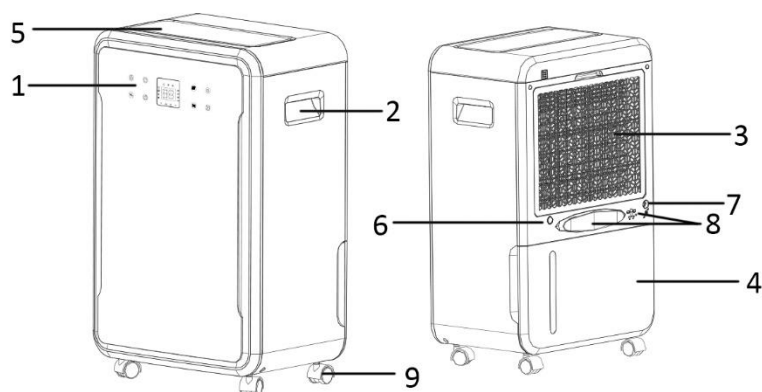
Avvertenza! Conservare l'apparecchio in un locale ben ventilato, le cui dimensioni corrispondono a quelle del locale di utilizzo.

Mantenere uno spazio libero di almeno 30 cm intorno all'apparecchio.

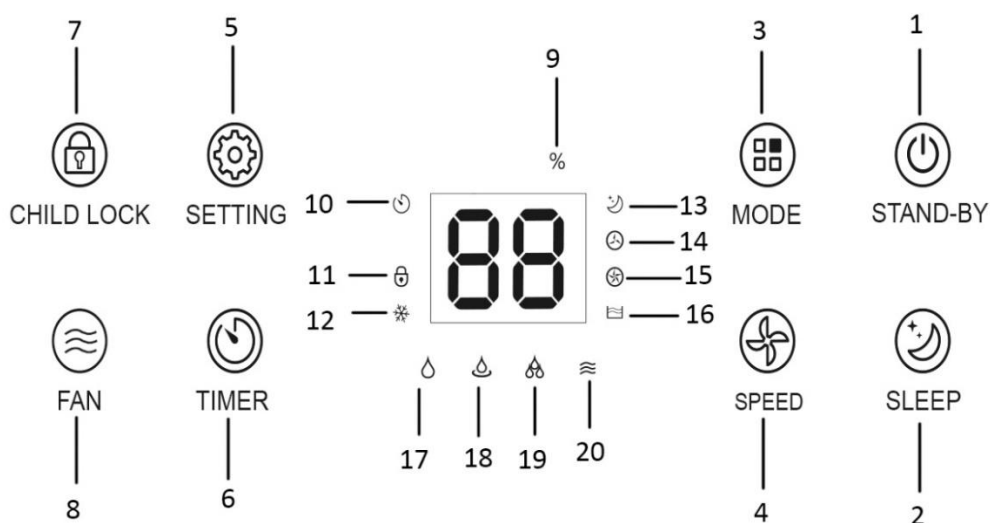
L'apparecchio deve essere installato, usato e conservato in locali con superficie di piano superiore a 10.1 m².

DESCRIZIONE DEI COMPONENTI

1. Pannello di controllo
2. Impugnatura
3. Ingresso dell'aria e filtro
4. Serbatoio dell'acqua
5. Uscita dell'aria
6. Uscita per drenaggio continuo
7. Connettore per pompa (non funzionante in questo modello)
8. Vano per cavo di alimentazione
9. Ruote



PANNELLO DI CONTROLLO



1. Pulsante di standby
2. Pulsante della modalità riposo
3. Pulsante della modalità deumidificazione
4. Pulsante della velocità
5. Pulsante di impostazione del livello di umidità
6. Pulsante del timer
7. Pulsante del blocco bambini
8. Pulsante della modalità ventilazione
9. Indicatore dell'umidità
10. Indicatore del timer
11. Indicatore del blocco bambini
12. Indicatore della funzione di sbrinamento
13. Indicatore della modalità riposo
14. Indicatore della ventola a bassa velocità
15. Indicatore della ventola ad alta velocità
16. Indicatore del serbatoio pieno/posizionato scorrettamente
17. Indicatore della modalità deumidificazione automatica
18. Indicatore della modalità bassa deumidificazione
19. Indicatore della modalità alta deumidificazione
20. Indicatore della modalità ventilazione

FUNZIONE DI SBRINAMENTO

L'evaporatore dell'apparecchio può avviare automaticamente la funzione di sbrinamento; l'indicatore della funzione di sbrinamento si illuminerà. Di seguito è descritto il programma della funzione di sbrinamento.

Temperatura ambientale inferiore a 5°C: la funzione di sbrinamento non è attiva.

Temperatura ambientale compresa tra 5°C e 12°C: in modalità deumidificazione, la funzione di sbrinamento si attiverà per circa 6 minuti ogni 20 minuti. Il compressore si arresterà e la ventola funzionerà ad alta velocità.

Temperatura ambientale compresa tra 12°C e 16°C: in modalità deumidificazione, la funzione di sbrinamento si attiverà per circa 5 minuti ogni 25 minuti. Il compressore si arresterà e la ventola funzionerà ad alta velocità.

Temperatura ambientale superiore a 16°C: se la temperatura della serpentina è pari o inferiore a -1°C per più di 2 minuti, la funzione di sbrinamento si attiverà per 5 minuti. Il compressore si arresterà e la ventola funzionerà ad alta velocità.

Durante il processo di sbrinamento, la temperatura ambientale aumenterà.

Questo apparecchio non è dotato di funzione di raffrescamento. L'apparecchio emetterà calore quando è in funzione, e la temperatura ambientale aumenterà di 1-4°C. Tale aumento di temperatura può essere evidente in particolare in luoghi ristretti. Inoltre, la temperatura può aumentare ulteriormente se porte e finestre sono chiuse, se la stanza è esposta alla luce solare diretta e se altri apparecchi che emettono calore sono in funzione.

Capacità di deumidificazione

A parità di temperatura ambientale, la capacità di deumidificazione è maggiore ad alti livelli di umidità relativa e minore a bassi livelli di umidità relativa. A parità di umidità relativa, la capacità di deumidificazione è maggiore alle alte temperature e minore alle basse temperature.

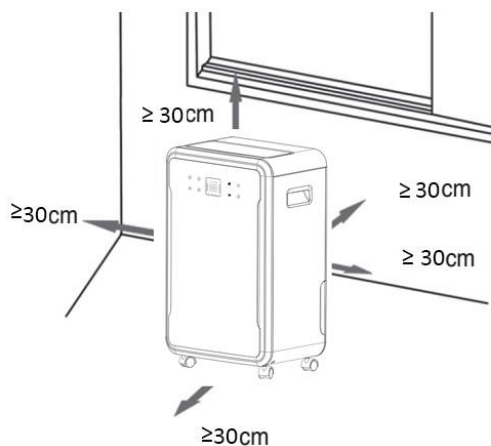
L'apparecchio è progettato per rimuovere l'umidità indesiderata nell'ambiente e può essere usato per velocizzare l'asciugatura di indumenti in ambienti interni. L'apparecchio non è progettato per mantenere l'umidità a livelli molto bassi.

OPERAZIONI PRELIMINARI

- Per evitare che l'apparecchio subisca danni, lasciarlo in posizione verticale per almeno 24 ore prima di avviarlo.
- Dopo aver estratto l'apparecchio dall'imballaggio, verificare che non sia danneggiato.
- Non permettere ai bambini di giocare con i materiali di imballaggio per evitare il rischio di soffocamento.

L'apparecchio deve essere installato su una superficie piana, in una posizione che eviti l'ostruzione delle aperture di ingresso e uscita dell'aria. Mantenere uno spazio libero di almeno 30 cm intorno all'apparecchio. Per risparmiare energia, tenere porte e finestre chiuse quando l'apparecchio è in funzione.

Nota: se altri elettrodomestici (come televisori e impianti stereo) causano interferenze, tenerli ad almeno 70 cm di distanza dall'apparecchio.



UTILIZZO

Collegare l'apparecchio alla presa di corrente. Verrà emesso un segnale acustico. L'apparecchio entrerà in modalità di standby.

Avvio e arresto: premere il pulsante di standby per avviare o arrestare l'apparecchio. Il coperchio dell'uscita dell'aria si aprirà automaticamente. Sul pannello di controllo verrà visualizzato il livello di umidità corrente. Premere nuovamente il pulsante per arrestare l'apparecchio. Il coperchio dell'uscita dell'aria si chiuderà automaticamente qualche secondo dopo.

Impostazione del livello di umidità: premere il pulsante Setting per impostare il livello di umidità desiderato tra 30% e 80%. Ogni pressione aumenterà il livello di umidità del 5%. Dopo il valore 80%, il livello ritornerà al 30%. Il livello di umidità impostato lampeggerà per qualche secondo sul pannello di controllo, quindi verrà visualizzato il livello di umidità corrente. Il livello di umidità può essere impostato esclusivamente in modalità automatica.

Modalità di ventilazione: premere il pulsante della modalità ventilazione per attivare la ventola. Premere il pulsante della velocità per selezionare la velocità della ventola tra alta e bassa. L'indicatore corrispondente si illuminerà.

MODALITÀ: premere il pulsante Mode per selezionare la modalità tra modalità Automatica, modalità Bassa deumidificazione, modalità Alta deumidificazione.

1. Modalità Automatica: in questa modalità l'indicatore della modalità automatica si illuminerà. In questa modalità è possibile impostare sia la velocità della ventola che il livello di umidità. L'apparecchio manterrà automaticamente il livello di umidità impostato.
2. Modalità Bassa deumidificazione: in questa modalità la ventola dell'apparecchio funzionerà a bassa velocità, e non sarà possibile impostare il livello di umidità. Sul pannello di controllo verrà visualizzato il livello di umidità corrente.
3. Modalità Alta deumidificazione: in questa modalità la ventola dell'apparecchio funzionerà ad alta velocità, e non sarà possibile impostare il livello di umidità. Sul pannello di controllo verrà visualizzato il livello di umidità corrente.

Questa modalità è utile anche per l'asciugatura di indumenti: Posizionare l'apparecchio in una stanza con le porte chiuse e gli indumenti su uno stendibiancheria.

TIMER

Arresto automatico

- Quando l'apparecchio è in funzione, premere il pulsante Timer per impostare l'intervallo di arresto automatico tra 1 e 24 ore.
- Ogni pressione aumenterà l'intervallo di un'ora. Dopo il valore 24 ore, l'intervallo ritornerà a 1 ora. È possibile tenere premuto il pulsante Timer per una regolazione rapida.
- L'intervallo lampeggerà per qualche secondo, quindi l'indicatore del timer rimarrà illuminato. Sul pannello di controllo verrà visualizzato il livello di umidità corrente. Il timer è attivo.
- L'apparecchio si arresterà automaticamente allo scadere dell'intervallo impostato.

Avvio automatico

- Quando l'apparecchio non è in funzione, premere il pulsante Timer per impostare l'intervallo di avvio automatico tra 1 e 24 ore.
- La modalità di impostazione dell'intervallo è identica a quella della funzione di arresto automatico.
- È possibile anche impostare la modalità di funzionamento.
- L'apparecchio si avvierà automaticamente con le funzioni impostate allo scadere dell'intervallo impostato.

Per annullare il timer, impostare l'intervallo a 0. L'intervallo lampeggerà per qualche secondo, quindi l'indicatore del timer si spegnerà.

BLOCCO BAMBINI

- Tenere premuto il pulsante del blocco bambini per circa 3-5 secondi per bloccare tutti gli altri pulsanti del pannello di controllo.
- Tenere nuovamente premuto il pulsante per 3-5 secondi per sbloccare tutti gli altri pulsanti.

MODALITÀ NOTTE

- Premere il pulsante Sleep per attivare la modalità Notte. Premere nuovamente il pulsante Sleep per disattivare questa modalità.
- In questa modalità tutti gli indicatori sul pannello di controllo rimarranno spenti, ad eccezione dell'indicatore del pulsante Sleep e dell'indicatore del serbatoio pieno.

Note

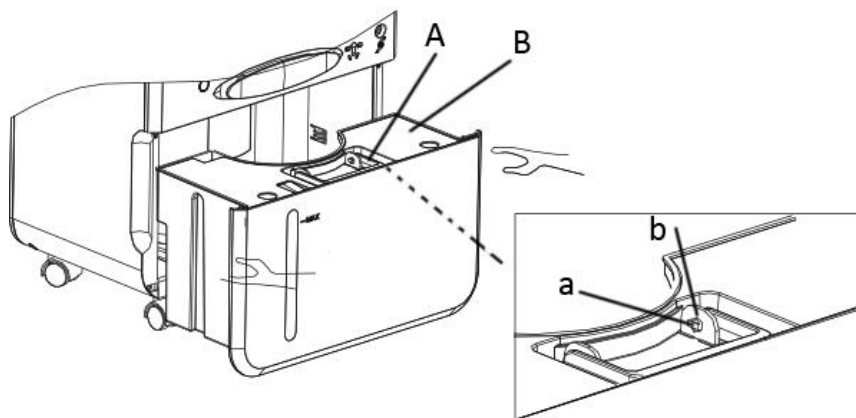
1. L'apparecchio è dotato di funzione di memoria in caso di interruzione di corrente. Le impostazioni del timer, tuttavia, verranno perse.
2. **Importante!**
Codice errore "E2": il sensore della temperatura/umidità è danneggiato. Contattare un tecnico qualificato per la riparazione.
Codice errore "E3": il sensore della serpentina è danneggiato. Contattare un tecnico qualificato per la riparazione.

DRENAGGIO DELL'ACQUA DI CONDENZA

Quando il serbatoio dell'acqua è pieno, l'indicatore del serbatoio pieno si illuminerà. L'apparecchio si arresterà automaticamente ed emetterà 20 segnali acustici, per avvisare l'utente che è necessario svuotare il serbatoio dell'acqua.

Svuotamento del serbatoio dell'acqua

1. Estrarre il serbatoio dell'acqua dall'apparecchio.
2. Gettare l'acqua raccolta.
3. Riposizionare il serbatoio dell'acqua.



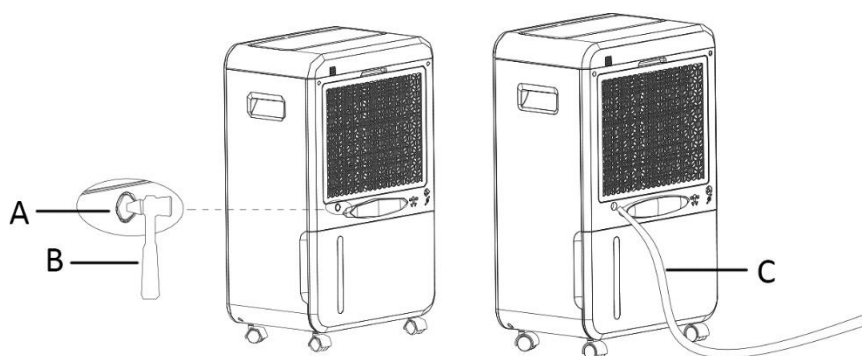
NOTE

1. **Prima di rimuovere il coperchio del serbatoio dell'acqua (B) è necessario estrarre l'impugnatura (A):** allontanare il perno (a) dell'impugnatura (A) dalla fessura (b). Prestare attenzione alla direzione della fessura (b).

2. Per riposizionare il serbatoio, inserirlo saldamente con entrambe le mani.
3. Non rimuovere il galleggiante all'interno del serbatoio. Senza il galleggiante, il sensore del serbatoio pieno non sarà in grado di rilevare correttamente il livello dell'acqua, con il rischio di fuoriuscite.

Drenaggio continuo della condensa

L'apparecchio è dotato di un'uscita per il drenaggio continuo della condensa.. Per prima cosa, rimuovere il coperchio (A) colpendolo delicatamente con un martello, quindi collegare il tubo (C). L'acqua di condensa verrà drenata in modo continuo. Installare il tubo di drenaggio in discesa per garantire lo scorrimento continuo dell'acqua di condensa. Quando il tubo di drenaggio è collegato, l'acqua verrà drenata attraverso il tubo e non verrà raccolta nel serbatoio dell'acqua.



PULIZIA E MANUTENZIONE

L'apparecchio deve essere pulito periodicamente per prolungarne la durata di servizio e garantirne il corretto funzionamento.

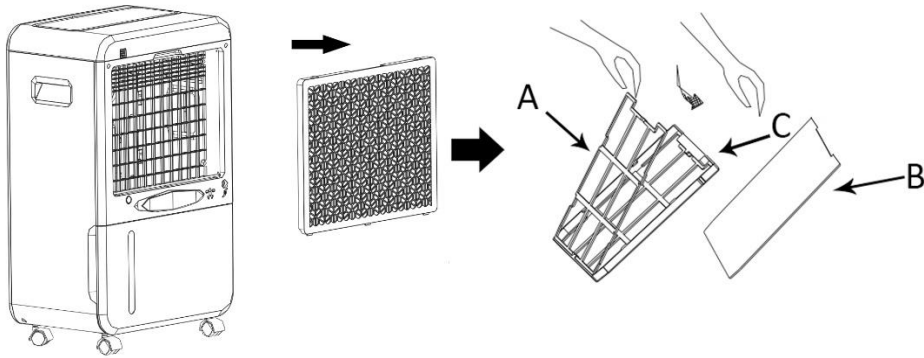
Avvertenza! Prima di pulire l'apparecchio, arrestarlo e scollegarlo dalla presa di corrente per evitare il rischio di scossa elettrica. Non usare acqua calda o solventi chimici per pulire l'apparecchio.

1. Per evitare la formazione di muffa nel serbatoio dell'acqua, risciacquarlo periodicamente con acqua fredda o calda, quindi asciugarlo con un panno morbido.
2. Pulire le superficie esterne dell'apparecchio con un panno umido. Non usare detersivi o spugne abrasive per evitare di danneggiare le superfici in plastica.
3. La modalità di pulizia del filtro è indicata nella sezione successiva.
4. Effettuare la procedura descritta di seguito in previsione di un lungo periodo di inutilizzo dell'apparecchio.
 - 1) Svuotare il serbatoio dell'acqua, asciugarlo e riposizionarlo nell'apparecchio.
 - 2) Pulire il filtro.
 - 3) Posizionare l'apparecchio in verticale e proteggerlo dalla luce solare diretta.

Filtro

All'interno dell'apparecchio è presente un filtro che dev'essere rimosso e pulito periodicamente. La capacità di deumidificazione può ridursi se il filtro è sporco.

- Rimuovere il contenitore del filtro, aprire la griglia (A) usando il fermaglio (C) ed estrarre il filtro a carboni attivi (B).
- La griglia può essere lavata con acqua a temperatura non superiore a 40°C. Asciugarla accuratamente.
- Il filtro a carboni attivi non può essere lavato. È possibile pulirlo con un aspirapolvere. Si raccomanda di sostituire il filtro a carboni attivi (B) ogni 3-6 mesi (a seconda della frequenza di utilizzo) per assicurare le massime prestazioni dell'apparecchio.



RISOLUZIONE DEI PROBLEMI

Problema	Possibile causa	Soluzione
L'apparecchio non funziona.	La spina non è collegata alla presa di corrente.	Collegarla.
	Il serbatoio dell'acqua è pieno.	Svuotare il serbatoio dell'acqua.
	Il serbatoio dell'acqua non è posizionato correttamente.	Posizionarlo correttamente.
	Se il coperchio dell'uscita dell'aria è aperto	Aprire il coperchio dell'uscita dell'aria
Capacità di deumidificazione ridotta.	Il filtro è sporco.	Pulire il filtro.
	L'apertura di ingresso o uscita dell'aria è ostruita.	Liberare l'apertura di ingresso o di uscita dell'aria.
L'apparecchio è rumoroso.	L'apparecchio non è posizionato correttamente.	Posizionare l'apparecchio su una superficie piana e stabile.
Il processo di deumidificazione si arresta.	La temperatura della stanza è troppo alta o troppo bassa.	L'apparecchio funziona esclusivamente quando la temperatura della stanza è compresa tra 5°C e 32°C.
Gli indumenti non si asciugano rapidamente.	La temperatura della stanza è molto bassa.	Gli indumenti bagnati si asciugano più lentamente alle basse temperature.

Fenomeno	Causa
L'apparecchio funziona a intermittenza.	Il processo di sbrinamento è in corso.
Capacità di deumidificazione ridotta.	La capacità di deumidificazione varia in base alla temperatura e all'umidità relativa della stanza.
Il livello di umidità della stanza non diminuisce.	La stanza è troppo grande. Le porte o le finestre della stanza sono aperte. Nella stanza è in funzione un apparecchio che emette vapore.
Odore sgradevole.	L'odore può provenire dalle pareti, dai mobili o da altri oggetti.
L'apparecchio emette rumori quando è in funzione.	Il rumore è dovuto al flusso di refrigerante, e scomparirà o si ridurrà con il funzionamento dell'apparecchio.
Nel serbatoio è presente dell'acqua.	Poiché l'apparecchio viene sottoposto a test di controllo in fabbrica, eventuali residui di acqua sull'evaporatore potrebbero venire raccolti nel serbatoio dell'acqua.

SPECIFICHE TECNICHE

Capacità di deumidificazione	70 L/giorno (30°C, 80%)
Tensione nominale	AC 220-240V
Frequenza nominale	50Hz
Potenza in ingresso nominale	1000W
Corrente nominale	4.5A
Refrigerante	R290

GARANZIA E SERVIZIO DI ASSISTENZA

Prima della fornitura, i nostri apparecchi vengono sottoposti ad un severo controllo di qualità. Se, nonostante la massima cura, si sono verificati danni durante la produzione o il trasporto, si prega di restituire l'apparecchio al rivenditore. Oltre ai diritti legali previsti dalla legge, l'acquirente può far valere i diritti derivanti dalla seguente garanzia:

Concediamo 2 anni di garanzia sull'apparecchio acquistato; il periodo di garanzia inizia dal giorno dell'acquisto. Durante questo periodo ripariamo o sostituiamo gratuitamente ogni componente guasto, la cui malfunzione può essere manifestamente attribuita a difetti del materiale o al processo di produzione. In caso di apparecchio difettoso, rivolgersi direttamente al rivenditore.

I difetti derivanti da un uso scorretto dell'apparecchio e le malfunzioni dovute all'intervento o alla riparazione da parte di terzi o alla sostituzione di componenti con ricambi non originali non sono coperti da questa garanzia.

Conservare sempre lo scontrino, senza il quale non è possibile far valere la garanzia. I danni dovuti al non rispetto del manuale di istruzioni rendono nulla la garanzia; se ciò porta a conseguenti danni non potremmo essere ritenuti responsabili. Decliniamo inoltre qualsiasi responsabilità per eventuali danni o lesioni personali causati da un uso improprio o in caso di mancata aderenza al manuale di istruzioni. Eventuali danni agli accessori non implicano la sostituzione gratuita dell'intero apparecchio. In tal caso, contattare il reparto di assistenza. La rottura di componenti in vetro o plastica è sempre soggetta a un costo. I difetti ai componenti di consumo o a componenti soggetti a usura, compresa la pulizia, manutenzione, sostituzione o le spese di spedizione e di trasporto verso il luogo di riparazione e ritorno, degli stessi, non sono coperti dalla garanzia e saranno soggetti a un costo.

SMALTIMENTO ECOCOMPATIBILE



Riciclaggio – Direttiva europea 2012/19/EU

Questo simbolo indica che il prodotto non deve essere smaltito con altri rifiuti domestici. Per prevenire rischi all'ambiente o alla salute da uno smaltimento non controllato, riciclare responsabilmente per promuovere un riutilizzo sostenibile delle risorse materiali. Per restituire il dispositivo utilizzato, servirsi dei sistemi di restituzione e raccolta o contattare il proprio rivenditore autorizzato dove il prodotto è stato acquistato. Il rivenditore autorizzato si occuperà dello smaltimento sicuro del prodotto.

Migros-Genossenschafts-Bund
Limmatstrasse 152
CH-8031 Zürich

ISTRUZIONI PER LA RIPARAZIONE DI APPARECCHI CONTENENTI R290

1. Istruzioni generali

1) Controllo dell'area

Prima di intervenire su sistemi contenenti refrigeranti infiammabili, è necessario effettuare alcuni controlli di sicurezza per minimizzare il rischio di ignizione. Prima di intervenire sul sistema refrigerante, rispettare le precauzioni riportate di seguito.

2) Procedura di intervento

Effettuare l'intervento seguendo una procedura controllata per minimizzare il rischio di presenza di vapore o gas infiammabile durante l'operazione.

3) Area generale di intervento

Tutto il personale di manutenzione e altre persone che lavorano nell'area devono essere informati della natura dell'intervento in corso. Evitare di lavorare in spazi ristretti. La zona intorno all'area di intervento deve essere isolata. Assicurarsi che le condizioni dell'area di intervento siano sicure in termini di materiali infiammabili.

4) Controllo della presenza di refrigerante

Controllare l'area con un rilevatore di refrigerante prima e durante l'intervento per essere consapevoli della presenza di atmosfere potenzialmente infiammabili. Assicurarsi che i dispositivi di rilevazione di perdite utilizzati siano idonei all'uso con refrigeranti infiammabili, ovvero che non producano scintille e siano sigillati adeguatamente o a sicurezza intrinseca.

5) Presenza di estintori

Se è necessario effettuare lavori a caldo sull'apparecchio o sui suoi componenti, tenere un dispositivo di estinzione a portata di mano. Tenere un estintore a polvere o CO₂ adiacente all'area di lavoro.

6) Assenza di fonti di ignizione

Se l'intervento sul sistema refrigerante richiede l'esposizione di tubazioni che contengono o hanno contenuto un refrigerante infiammabile, non usare fonti di ignizione che comportino il rischio di incendio o esplosione. Qualsiasi fonte di ignizione, incluse le sigarette accese, deve essere tenuta a una distanza sufficiente dal sito di installazione, riparazione, rimozione e smaltimento dell'apparecchio nel caso in cui un refrigerante infiammabile possa essere rilasciato nell'area circostante. Prima di effettuare l'intervento, ispezionare l'area intorno all'apparecchio per assicurarsi che sia priva di sostanze infiammabili o rischi di ignizione. Esporre i cartelli "Vietato fumare".

7) Ventilazione dell'area

Prima di effettuare lavori a caldo o accedere al sistema refrigerante, assicurarsi che l'area sia all'aperto o adeguatamente ventilata. Mantenere un livello di ventilazione costante durante l'esecuzione dell'intervento. La ventilazione deve garantire la dispersione in sicurezza di un'eventuale fuoriuscita di refrigerante, e preferibilmente la sua espulsione nell'atmosfera esterna.

8) Controllo dell'apparecchio refrigerante

Se è necessario sostituire dei componenti elettrici, assicurarsi che siano idonei allo scopo e conformi alle specifiche. Seguire tutte le istruzioni di manutenzione fornite dal costruttore. In caso di dubbio, contattare l'assistenza tecnica del costruttore.

Effettuare i controlli descritti di seguito sugli impianti che utilizzano refrigeranti infiammabili.

- La carica di refrigerante è proporzionale alle dimensioni del locale di installazione delle parti che contengono refrigerante.
- Le apparecchiature e le prese di ventilazione funzionano correttamente e non sono ostruite.
- Se viene utilizzato un circuito refrigerante indiretto, controllare la presenza di refrigerante nel circuito secondario.
- L'etichettatura dell'apparecchio è visibile e leggibile. Se l'etichettatura è illeggibile, sostituirla.
- Il tubi o i componenti di refrigerazione sono installati in una posizione che riduca il rischio di esposizione a sostanze in grado di corrodere i componenti contenenti refrigerante, a meno che tali componenti non siano

costruiti con materiali intrinsecamente resistenti alla corrosione o protetti in modo adeguato dalla corrosione.

9) Controllo dei dispositivi elettrici

Le operazioni di riparazione e manutenzione dei componenti elettrici devono includere controlli iniziali di sicurezza e procedure di ispezione dei componenti. In caso di difetti che compromettono la sicurezza, non collegare il circuito ad alcuna fonte di alimentazione finché il difetto non viene corretto. Se il difetto non può essere corretto immediatamente ma è necessario continuare l'operazione, adottare una soluzione temporanea adeguata. Segnalare il problema al proprietario dell'apparecchio affinché tutte le parti siano informate. I controlli iniziali di sicurezza devono verificare che:

- I condensatori siano stati scaricati: l'operazione deve essere effettuata in sicurezza per evitare il rischio di scintille.
- Nessun cavo o componente elettrificato sia esposto durante la carica, il recupero o lo spurgo del sistema.
- La messa a terra sia continua.

2. Riparazione dei componenti sigillati

- 1) Durante la riparazione dei componenti sigillati, scollegare l'apparecchio da tutte le fonti di alimentazione elettrica prima di rimuovere qualsiasi copertura sigillata o componenti simili. Se è assolutamente necessario lasciare l'apparecchio collegato all'alimentazione elettrica durante la manutenzione, posizionare nel punto più critico un rilevatore di perdite permanentemente in funzione per prevenire situazioni potenzialmente pericolose.
- 2) Durante il lavoro sui componenti elettrici, prestare particolare attenzione a non alterare l'involucro esterno dell'apparecchio in modo tale da alterarne il livello di protezione. Ciò include danni ai cavi, un numero eccessivo di collegamenti, terminali non conformi alle specifiche originali, danni alle guarnizioni, installazione scorretta dei dispositivi di tenuta, ecc.

Assicurarsi che l'apparecchio sia installato in modo sicuro. Assicurarsi che le guarnizioni o i materiali di tenuta non siano usurati in modo tale da comprometterne la capacità di evitare l'ingresso di agenti infiammabili. Le parti di ricambio devono essere conformi alle specifiche del costruttore.

NOTA: l'uso di silicone sigillante può inibire l'efficacia di alcuni dispositivi di rilevamento delle perdite. Per intervenire sui componenti a sicurezza intrinseca, non è necessario isolarli.

3. Riparazione dei componenti a sicurezza intrinseca

Prima di applicare carichi induttivi o capacitivi permanenti al circuito, assicurarsi che ciò non causi il superamento dei valori di tensione e corrente consentiti dall'apparecchio. I componenti a sicurezza intrinseca sono gli unici su cui è possibile intervenire in presenza di atmosfera infiammabile quando sono elettrificati. Le specifiche del dispositivo di prova devono essere corrette. Sostituire i componenti esclusivamente con le parti specificate dal costruttore. Altre parti possono causare l'ignizione del refrigerante nell'atmosfera a causa di una perdita.

4. Cablaggio

Assicurarsi che i cavi non siano soggetti a usura, corrosione, pressione eccessiva, vibrazione, bordi affilati o altre condizioni avverse. I controlli devono prendere in considerazione anche gli effetti dell'usura o delle vibrazioni continue provenienti da fonti come compressori o ventole.

5. Rilevamento di refrigeranti infiammabili

Non usare in alcuna circostanza potenziali fonti di ignizione per la ricerca o il rilevamento di perdite di refrigerante. Non utilizzare torce ad alogenuri (o altri rilevatori che utilizzano fiamme libere).

6. Metodi di rilevamento delle perdite

I seguenti metodi di rilevamento delle perdite sono considerate adatte all'uso con sistemi contenenti refrigeranti infiammabili.

Per rilevare refrigeranti infiammabili è possibile usare rilevatori di perdite elettronici, ma la loro sensibilità potrebbe non essere adeguata o richiedere una nuova calibrazione. (I dispositivi di rilevamento devono essere calibrati in un'area priva di refrigerante.) Assicurarsi che il rilevatore non sia una potenziale fonte di ignizione e sia adatto al refrigerante utilizzato. I dispositivi di rilevamento delle perdite devono essere impostati a una percentuale dell'LFL (limite inferiore di infiammabilità) e calibrati sul refrigerante utilizzato e sulla percentuale appropriata di gas (massimo 25%). I fluidi per il rilevamento delle perdite sono adatti all'uso con la maggior parte dei refrigeranti; tuttavia, evitare l'uso di detergenti contenenti cloro perché quest'ultimo può reagire con il refrigerante e corrodere le tubazioni in rame. Se si sospetta una perdita, rimuovere/estinguere tutte le fiamme libere. Se viene rilevata una perdita di refrigerante che richiede una saldatura, tutto il refrigerante deve essere raccolto dal sistema o isolato (tramite valvole di intercettazione) in una parte del sistema lontana dalla perdita. L'azoto esente da ossigeno (OFN) deve quindi essere spurgato dal sistema sia prima che durante l'operazione di saldatura.

7. Rimozione e svuotamento

Durante l'accesso al circuito del refrigerante per effettuare riparazioni o qualsiasi altro intervento, utilizzare procedure convenzionali. Tuttavia, è importante adottare il protocollo raccomandato perché sussiste il rischio di infiammabilità. Rispettare la seguente procedura:

- Rimuovere il refrigerante.
- Spurgare il circuito con del gas inerte.
- Evacuare il circuito.
- Spurgare nuovamente il circuito con del gas inerte.
- Aprire il circuito tramite taglio o saldatura.

Raccogliere la carica di refrigerante nelle apposite bombole di recupero. Pulire il sistema con dell'OFN per rendere l'apparecchio sicuro. Potrebbe essere necessario ripetere più volte questo processo. Non usare ossigeno o aria compressa per effettuare questa operazione. Per effettuare la pulizia, pompare a vuoto l'OFN nel sistema e continuare a riempirlo fino a raggiungere la pressione di esercizio, quindi disperderlo nell'atmosfera e ripristinare il vuoto. Ripetere l'operazione fino alla completa espulsione del refrigerante dall'apparecchio. Durante l'utilizzo dell'ultima carica di OFN, scaricare il sistema affinché raggiunga una pressione atmosferica tale da consentire l'intervento. Questa operazione è essenziale prima di effettuare interventi di saldatura sulle tubazioni. Assicurarsi che l'uscita della pompa a vuota non sia in prossimità di fonti di ignizione e garantire un'adeguata ventilazione.

8. Procedure di carica

Oltre alle procedure di carica convenzionali, è necessario rispettare i seguenti requisiti.

- Evitare la contaminazione di diversi refrigeranti durante l'uso di apparecchi di ricarica. I tubi o le tubazioni devono essere più corti possibili per ridurre al minimo la quantità di refrigerante contenuta al loro interno.
- Le bombole devono essere mantenute in posizione verticale.
- Assicurarsi che il sistema refrigerante sia collegato a terra prima di caricare il refrigerante nel sistema.
- Etichettare il sistema al termine della carica (se non è stato fatto in precedenza).
- Prestare particolare attenzione a non riempire eccessivamente il sistema refrigerante.

Prima di caricare il sistema, sottoporlo a un test di pressione con dell'OFN. Il sistema deve essere sottoposto a un test di tenuta al termine della carica, ma prima della messa in servizio. Effettuare un nuovo test di tenuta prima di lasciare l'area di intervento.

9. Messa fuori servizio

Prima di effettuare questa procedura è essenziale che il tecnico abbia acquisito familiarità con l'apparecchio e tutte le sue specifiche. È buona norma assicurarsi che tutti i refrigeranti vengano recuperati in modo sicuro. Prima di effettuare l'operazione è necessario prelevare un campione di olio e di refrigerante nel caso sia necessaria un'analisi prima di riutilizzare il refrigerante rigenerato. È essenziale che l'alimentazione elettrica sia disponibile prima di iniziare l'operazione.

- a) Familiarizzarsi con l'apparecchio e il suo funzionamento.
- b) Isolare elettricamente il sistema.
- c) Prima di iniziare l'operazione, assicurarsi che:
 - Siano disponibili attrezzature meccaniche per lo spostamento delle bombole refrigeranti (se necessario).
 - Tutti i dispositivi di protezione individuale siano disponibili e utilizzati correttamente.
 - Il processo di recupero sia supervisionato in ogni momento da una persona competente.
 - Le bombole e l'attrezzatura di recupero siano conformi agli standard previsti.
- d) Se possibile, pompare a vuoto il sistema refrigerante.
- e) Se non è possibile ottenere il vuoto, realizzare un collettore affinché il refrigerante possa essere rimosso da tutte le parti del sistema.
- f) Assicurarsi che la bombola sia posizionata sulla bilancia prima di iniziare il recupero.
- g) Avviare l'attrezzatura di recupero e utilizzarla conformemente alle istruzioni del costruttore.
- h) Non riempire eccessivamente le bombole (non oltre l'80% di carica liquida).
- i) Non superare la pressione di esercizio massima della bombola, nemmeno temporaneamente.
- j) Quando le bombole sono state riempite correttamente e l'operazione è terminata, rimuovere tempestivamente le bombole e l'attrezzatura dal locale e assicurarsi che tutte le valvole di isolamento dell'apparecchio siano chiuse.
- k) Il refrigerante recuperato non deve essere caricato in un altro sistema refrigerante, a meno che non sia stato pulito e controllato.

10. Etichettatura

L'apparecchio deve essere contrassegnato con un'etichetta che ne segnali la messa fuori servizio e la rimozione di refrigerante dal suo interno. L'etichetta deve essere datata e firmata. Assicurarsi che sull'apparecchio siano presenti etichette indicanti che contiene refrigerante infiammabile.

11. Recupero

Durante la rimozione del refrigerante da un sistema, per manutenzione o messa fuori servizio, si raccomanda di effettuare l'operazione in sicurezza. Prima di trasferire il refrigerante nelle bombole, assicurarsi di utilizzare esclusivamente bombole di recupero adatte al refrigerante. Assicurarsi di avere a disposizione un numero di bombole sufficiente per contenere la carica totale del sistema. Tutte le bombole devono essere omologate per il refrigerante recuperato e correttamente etichettate (ovvero utilizzare bombole progettate appositamente per il recupero del refrigerante in questione). Le bombole devono essere dotate di valvole limitatrici di pressione e valvole di intercettazione in buone condizioni. Le bombole di recupero vuote devono essere svuotate e, se possibile, raffreddate prima del recupero. L'attrezzatura di recupero deve essere in buone condizioni, fornita di istruzioni e idonea al recupero di refrigeranti infiammabili. Inoltre, deve essere disponibile un set di bilance calibrate in buone condizioni. I tubi devono essere dotati di raccordi di scollegamento senza perdite e in buone condizioni. Prima di utilizzare l'attrezzatura di recupero, controllare che funzioni correttamente, che sia stata sottoposta a regolare manutenzione e che i componenti elettrici associati siano sigillati per evitare l'ignizione in caso di rilascio di refrigerante. Nel dubbio, consultare il costruttore. Il refrigerante recuperato deve essere restituito al fornitore del refrigerante nella bombola di recupero corretto, compilando un'apposita nota per lo smaltimento dei rifiuti. Non mescolare i refrigeranti nelle unità di recupero, soprattutto nelle bombole. Se è necessario rimuovere compressori o oli per compressore, assicurarsi che siano stati svuotati a un livello

accettabile per garantire che il lubrificante non contenga refrigerante infiammabile. Il processo di svuotamento deve essere effettuato prima di restituire il compressore ai fornitori. L'unica modalità per accelerare questo processo è riscaldare elettricamente il corpo del compressore. Se è necessario drenare dell'olio da un sistema, effettuare l'operazione in sicurezza.

Competenza del personale di assistenza

Informazioni generali

Chiunque intervenga su apparecchi contenenti refrigeranti infiammabili deve essere in possesso di qualifiche aggiuntive oltre a quelle per la riparazione di apparecchi refrigeranti generici.

In numerosi Paesi tali qualifiche sono rilasciate da enti di formazione nazionali accreditati che attestano la competenza in materia di trattamento sicuro dei refrigeranti in conformità con le normative in vigore.

La competenza acquisita deve essere documentata da un certificato.

Formazione

La formazione deve trattare gli argomenti riportati di seguito.

Informazioni sul potenziale di esplosione dei refrigeranti infiammabili che illustrino la loro pericolosità se trattati impropriamente.

Informazioni sulle potenziali fonti di ignizione, in particolare quelle non ovvie come accendini, interruttori della luce, aspirapolvere, radiatori elettrici.

Informazioni sulle nozioni di sicurezza descritte di seguito.

Non ventilato – La sicurezza dell'apparecchio non dipende dalla ventilazione dell'involucro. Lo spegnimento dell'apparecchio o l'apertura dell'involucro non ha un effetto significativo sulla sicurezza. Tuttavia, è possibile che all'interno dell'involucro si accumuli del refrigerante fuoriuscito, e con il rischio di rilascio di atmosfera infiammabile all'apertura dell'involucro.

Involucro ventilato – La sicurezza dell'apparecchio dipende dalla ventilazione dell'involucro. Lo spegnimento dell'apparecchio o l'apertura dell'involucro ha un effetto significativo sulla sicurezza. Assicurare una sufficiente ventilazione preliminare.

Locale ventilato – La sicurezza dell'apparecchio dipende dalla ventilazione del locale. Lo spegnimento dell'apparecchio o l'apertura dell'involucro non ha un effetto significativo sulla sicurezza. Il locale deve rimanere ventilato durante l'intervento.

Informazioni sulla nozione di componenti sigillati e involucri sigillati ai sensi dello standard IEC 60079-15:2010.

Informazioni sulle corrette procedure di intervento descritte di seguito.

a) Messa in servizio

- Assicurarsi che la superficie di piano sia sufficiente per la carica di refrigerante o che il condotto di ventilazione sia assemblato in modo corretto.
- Collegare i tubi ed effettuare un test di tenuta prima di caricare il refrigerante.
- Controllare i dispositivi di sicurezza prima della messa in servizio.

b) Manutenzione

- Gli apparecchi portatili devono essere riparati all'aperto o in un'officina appositamente attrezzata per la riparazione di apparecchi contenenti refrigeranti infiammabili.
- Garantire una sufficiente ventilazione nel luogo di intervento.
- Tenere presente che il malfunzionamento dell'apparecchio potrebbe essere causato da una perdita di refrigerante e che è possibile la fuoriuscita di refrigerante.
- Scaricare i condensatori in modo tale che non causino alcuna scintilla. Generalmente, la procedura standard per cortocircuitare i terminali del condensatore causa scintille.
- Riasssemblare accuratamente gli involucri sigillati. Se le guarnizioni sono usurate, sostituirle.
- Controllare i dispositivi di sicurezza prima della messa in servizio.

c) Riparazioni

- Gli apparecchi portatili devono essere riparati all'aperto o in un'officina appositamente attrezzata per la

riparazione di apparecchi contenenti refrigeranti infiammabili.

- Garantire una sufficiente ventilazione nel luogo di intervento.
- Tenere presente che il malfunzionamento dell'apparecchio potrebbe essere causato da una perdita di refrigerante e che è possibile la fuoriuscita di refrigerante.
- Scaricare i condensatori in modo tale che non causino alcuna scintilla.
- Se è necessario effettuare saldature, rispettare le seguenti istruzioni nell'ordine corretto.
- Rimuovere il refrigerante. Se le normative nazionali non prevedono il recupero, drenare il refrigerante all'aperto. Prestare attenzione per evitare che il refrigerante drenato causi pericoli. In caso di dubbio, una persona deve monitorare il drenaggio. Prestare particolare attenzione per evitare che il refrigerante drenato non ritorni all'interno.
- Evacuare il circuito del refrigerante.
- Spurgare il circuito del refrigerante con azoto per 5 minuti.
- Effettuare nuovamente l'evacuazione.
- Rimuovere i componenti da sostituire tagliandoli, senza usare fiamme.
- Spurgare il punto di saldatura con azoto durante l'operazione di saldatura.
- Effettuare un test di tenuta prima di caricare il refrigerante.
- Riasssemblare accuratamente gli involucri sigillati. Se le guarnizioni sono usurate, sostituirle.
- Controllare i dispositivi di sicurezza prima della messa in servizio.

d) Messa fuori servizio

- In caso di compromissione della sicurezza quando l'apparecchio viene messo fuori servizio, la carica di refrigerante deve essere rimossa prima della messa fuori servizio.
- Garantire una sufficiente ventilazione nel luogo di intervento.
- Tenere presente che il malfunzionamento dell'apparecchio potrebbe essere causato da una perdita di refrigerante e che è possibile la fuoriuscita di refrigerante.
- Scaricare i condensatori in modo tale che non causino alcuna scintilla.
- Rimuovere il refrigerante. Se le normative nazionali non prevedono il recupero, drenare il refrigerante all'aperto. Prestare attenzione per evitare che il refrigerante drenato causi pericoli. In caso di dubbio, una persona deve monitorare il drenaggio. Prestare particolare attenzione per evitare che il refrigerante drenato non ritorni all'interno.
- Evacuare il circuito del refrigerante.
- Spurgare il circuito del refrigerante con azoto per 5 minuti.
- Effettuare nuovamente l'evacuazione.
- Riempire di azoto fino alla pressione atmosferica.
- Apporre un'etichetta sull'apparecchio per segnalare che il refrigerante è stato rimosso.

e) Smaltimento

- Garantire una sufficiente ventilazione nel luogo di intervento.
- Rimuovere il refrigerante. Se le normative nazionali non prevedono il recupero, drenare il refrigerante all'aperto. Prestare attenzione per evitare che il refrigerante drenato causi pericoli. In caso di dubbio, una persona deve monitorare il drenaggio. Prestare particolare attenzione per evitare che il refrigerante drenato non ritorni all'interno.
- Evacuare il circuito del refrigerante.
- Spurgare il circuito del refrigerante con azoto per 5 minuti.
- Effettuare nuovamente l'evacuazione.
- Scollegare il compressore e drenare l'olio.

Trasporto, segnalazione e conservazione di apparecchi contenenti refrigeranti infiammabili

Trasporto di apparecchi contenenti refrigeranti infiammabili

Tenere presente che potrebbero essere in vigore norme aggiuntive per il trasporto di apparecchi contenenti

refrigeranti infiammabili. Il numero massimo o la configurazione degli apparecchi che possono essere trasportati insieme è stabilito dalle normative locali.

Segnalazione dell'apparecchio con cartelli

I cartelli per apparecchi similari utilizzati in aree di lavoro sono generalmente disciplinati dalle normative locali e indicano i requisiti minimi per la fornitura di cartelli di sicurezza e/o salute nei luoghi di lavoro.

Tutti i cartelli richiesti devono essere esposti. Inoltre, i datori di lavoro devono garantire che i dipendenti ricevano istruzioni e formazione adeguate e sufficienti sul significato dei cartelli di sicurezza appropriati e sulle azioni da intraprendere in relazione ad essi.

Non apporre un numero eccessivo di cartelli per evitare di ridurne l'efficacia.

I simboli utilizzati devono essere i più semplici possibile e contenere esclusivamente informazioni essenziali.

Smaltimento di apparecchi contenenti refrigeranti infiammabili

Consultare le normative nazionali.

Conservazione di attrezzature/apparecchi

Conservare l'apparecchio conformemente alle istruzioni del costruttore.

Conservazione di apparecchi imballati (invenduti)

L'imballaggio di protezione deve essere costruito in modo tale che eventuali danni meccanici subiti dall'apparecchio al suo interno non causino perdite di refrigerante.

Il numero massimo di apparecchi che possono essere conservati insieme è stabilito dalle normative locali.