

EMERIO®

AF-12668



Smart Fryer

®

(EN)

(DE)

(FR)

(SE)

(NL)

(PL)

(RU)

EAC CE

Content – Inhalt – Teneur – Innehåll – Inhoud – Treść – Содержание

Instruction manual – English	- 2 -
Bedienungsanleitung – German	- 10 -
Mode d’emploi – French	- 19 -
Bruksanvisning – Swedish	- 28 -
Gebruiksaanwijzing – Dutch	- 36 -
Instrukcja obsługi – Polish	- 45 -
Инструкция по эксплуатации – Russian	- 54 -

SAFETY INSTRUCTIONS

Before use make sure to read all of the below instructions in order to avoid injury or damage, and to get the best results from the appliance. Make sure to keep this manual in a safe place. If you give or transfer this appliance to someone else make sure to also include this manual.

In case of damage caused by user failing to follow the instructions in this manual the warranty will be void. The manufacturer/importer accepts no liability for damages caused by failure to follow the manual, a negligent use or use not in accordance with the requirements of this manual.

1. This appliance can be used by children aged from 8 years and above and persons with reduced physical, sensory or mental capabilities or lack of experience and knowledge if they have been given supervision or instruction concerning use of the appliance in a safe way and understand the hazards involved.
2. Children shall not play with the appliance.
3. Cleaning and user maintenance shall not be made by children unless they are older than 8 and supervised.
4. Keep the appliance and its cord out of reach of children less than 8 years.
5. If the supply cord is damaged, it must be replaced by the manufacturer, its service agent or similarly qualified persons in order to avoid a hazard.
6. Regarding the instructions for cleaning the surfaces which come in contact with food or oil, please refer to the paragraph “CLEANING AND MAINTENANCE” of the manual.
7. This appliance is intended to be used in household and similar applications such as: staff kitchen areas in shops, offices and other working environments; farm houses; by clients in hotels, motels and other residential type environments; bed and breakfast type environments.

8. This appliance is not intended to be operated by means of an external timer or separate remote-control system.
9. Before inserting the plug into the mains socket, please check that the voltage and frequency comply with the specifications on the rating label.
10. Always plug the appliance into an earthed plug socket.
11. Disconnect the mains plug from the socket when the appliance is not in use and before cleaning.
12. If an extension cord is used it must be suited to the power consumption of the appliance, otherwise overheating of the extension cord and/or plug may occur. There is a potential risk of injuries from tripping over the extension cord. Be careful to avoid dangerous situations.
13. Ensure that the mains cable is not hung over sharp edges and keep it away from hot objects and open flames.
14. Do not immerse the appliance or the mains plug in water or other liquids. There is danger to life due to electric shock!
15. To remove the plug from the plug socket, pull the plug. Do not pull the power cord.
16. Do not touch the appliance if it falls into water. Remove the plug from its socket, turn off the appliance and send it to an authorized service center for repair.
17. Do not plug or unplug the appliance from the electrical outlet with a wet hand.
18. Never attempt to open the housing of the appliance, or to repair the appliance yourself. This could cause electric shock.
19. Never leave the appliance unattended during use.
20. This appliance is not designed for commercial use.
21. Do not use the appliance for other than intended use.
22. Do not wind the cord around the appliance and do not bend it.
23. Place the appliance on a stable, level surface from which it cannot fall off.

24. Please prevent the product to be exposed to excessive dirt and humidity.
25. Clean the product itself with a slightly damp cloth.
26. Do not operate the machine without supervision, if you should leave the workplace, always switch the machine off or remove the plug from socket (pull the plug itself, not the lead).
27. Do not place the appliance against a wall or against other appliance. Leave at least 10cm free space on the back and sides and above the appliance.
28. During hot air frying, hot steam is released through the air outlet openings. Keep your hands and face at a safe distance from the steam and from the air outlet openings. Also be careful of hot steam and air when you remove the pan from the appliance.
29. Immediately unplug the appliance if you see dark smoke coming out of the appliance. Wait for the smoke emission to stop before you remove the pan from the appliance.
30. Make sure before each use of the appliance that the heating element and surroundings are clean and clear from any food remainders in order to ensure a flawless function.

31.

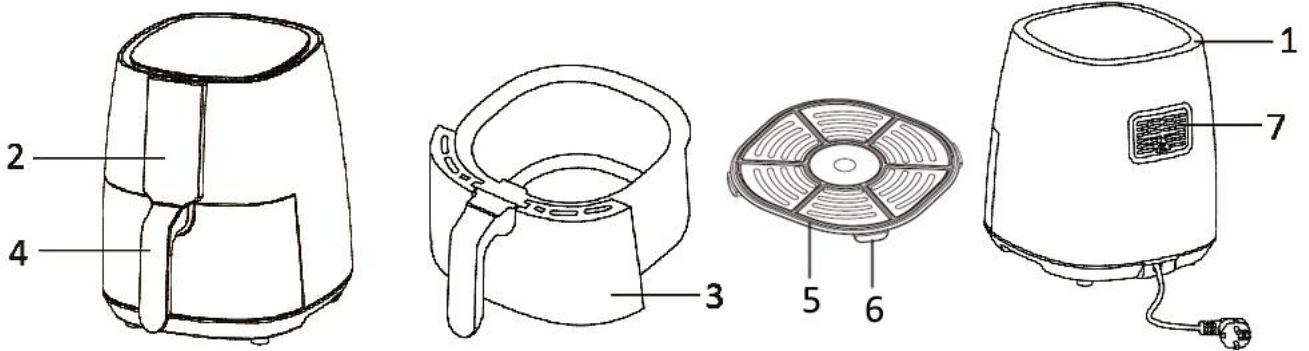


Caution, hot surface.

WARNING!! Please do not touch surface while in use. The temperature of accessible surfaces may be high when the appliance is operating.

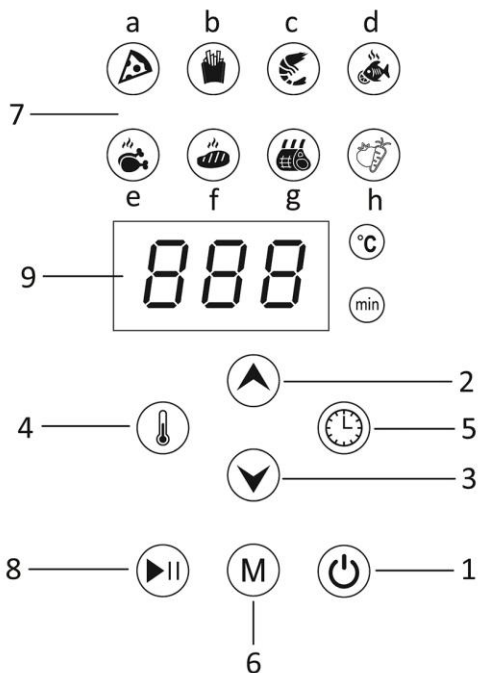
32. Hot air comes out of the air vent at the back side of the appliance. Be sure to keep sufficient distance to materials, like glass, that are sensitive to heat.
33. If you use products with non-stick surfaces, please make sure no birds are in the same room and that the room can be completely closed off and well-ventilated.

PARTS DESCRIPTION



1. Air inlet
2. Control panel and display
3. Basket
4. Basket handle
5. Frying grill
6. Silicone case
7. Air outlet

Control panel and display



1. On/off button
2. Adjustment button ("+")
3. Adjustment button ("-")
4. Temperature control (Press adjustment button to adjust the temperature from 80°C to 200°C)
5. Timer control (Press adjustment button to adjust the time from 1 to 60 minutes)
6. Menu selection
7. Menu (listed below)
8. Start/pause button
9. Timer and temperature display

Menu:

- a). pizza, b). chips, c). shrimps, d). fish,
- e). drumsticks, f). steak, g). rib, h). vegetable

BEFORE USE

First read all instructions before use and retain the manual for later reference. Only plug this appliance into an earthed socket. Before first use, remove the packing materials. Clean the basket and frying grill. (See "CLEANING AND MAINTENANCE") Wipe inside and outside of the appliance with a soft cloth. Make sure that the electrical parts remain dry. **This appliance heats food at all directions and most of the ingredients do not need any oil.**

Operate the appliance before first use for approximately 10 minutes in order to burn off production residues. Make sure there is good ventilation. The appliance may emit some smoke and a characteristic smell when you switch it on for the first time. This is normal and will stop soon.

Note: Always use the frying grill with the silicone cases attached. They will help to stabilize the frying grill in the basket during cooking.

USE

1. Place the appliance on a dry, stable and heat-resistant surface.
2. Since the appliance becomes hot during use, make sure that it is not too close to other objects.
3. Pull out the basket from the appliance by the basket handle. Put the frying grill into the basket.
4. Place the ingredients into the basket. Slide the basket into the appliance. Make sure they are placed correctly and closed completely. Otherwise the appliance will not work. Caution: Do not touch the basket during use or after use in short time as it gets very hot. Only hold the basket by the handle.
5. Connect the power plug to a suitable outlet. The machine sends out one beep sound and enters into standby. Press the on/off button, the digital display and the start/pause button flash.
6. Press the temperature control button and then adjustment button to set your desired temperature (5 °C / press). Press the time control button and then adjustment button to set desired time (1 minute / press). You can also long press the adjustment button for rapid adjustment.
7. You can also press the menu selection button to directly choose the cooking functions in the menu. If you wish to adjust the time and temperature a little, please make adjustment as step 6. The select food icon in the menu will flash.
8. Press the start/pause button once; the machine starts working. The digital display shows the set temperature and time. You can press the start/pause button again to make a pause, and in the state of pause, the digital display and the start/pause button will flash. If there is no operation for about 1 minute in the pause state, the machine will automatically enter into standby with 5 beep sounds.
9. When the whole cooking process is finished, "00 min" flashes on the display, and then the blower will stop working in a few seconds. You can also manually turn off the machine by pressing the on/off button. There are 5 beep sounds when the machine enters into standby.
10. Pull out the basket from the appliance by the basket handle. Check if the ingredients are ready. If not, simply slide the basket back into the appliance. Set the temperature and the timer to a few extra minutes. Then press the start/pause button to run the machine again. NOTE: You can also pull out the basket to check and shake the ingredients during cooking process. When you slide back the basket, the machine will continue to work with the selected setting.
11. Empty the basket, putting the food into a bowl or onto a plate. To remove large or fragile ingredients, lift the ingredients out of the basket by a pair of tongs.
To remove ingredients (e.g. beef, chicken, meat, any ingredients with original oil and will have excess oil from ingredients collected on the bottom of the basket), please use tongs to pick ingredients one by one.
To remove ingredients (e.g. chips, vegetable or ingredients with no excess oil from the ingredients), please pull out the basket, and pour ingredients to tableware.

- After the cooking is done, the appliance is instantly ready for preparing another batch of ingredients if needed.

FRYING TIPS

- The optimal amount for crispy fries is 600 grams.
- Add 3 more minutes to the preparation time when the appliance is cold, or you can also let the appliance preheat approx. 4 minutes without any ingredients inside.
- Some ingredients require shaking halfway through the preparation time. To shake or turn over the ingredients, pull the basket out of the appliance by the handle and shake it or turn over the ingredients by fork (or tongs). Then slide the basket back into the appliance.
- You can also use the fryer to reheat ingredients. To reheat ingredients, set the temperature to 150°C for up to 10 minutes.
- Products with crust of dry breadcrumbs will get crispier by spraying them with a little vegetable oil.
- Place a baking tin or an oven dish in the appliance if you want to bake a cake or quiche or other fragile ingredients.
- Do not prepare extremely greasy ingredients such as sausages in the appliance.

CAUTION:

- Do not immerse the housing in water or rinse it under the tap.
- Avoid any liquid entering the appliance to prevent from electric shock or short circuit.
- Keep all ingredients in the basket to prevent any contact with heating elements.
- Do not cover the air inlet and the outlet when the appliance is working. Leave at least 10cm free space around and above the appliance.
- Filling the basket with oil may cause a fire hazard!
- Do not touch the inside of the appliance when it is in operation.
- Be careful of the hot steam and air when you remove the basket from the appliance.
- During operation, hot steam is released through the air outlet. Keep your hands and face at a safe distance from the steam and the air outlet.
- Immediately turn off and unplug the appliance if you see any dark smoke coming out of the appliance, which means the food is overcooked or the appliance broke down.

FRYING TABLE

This table shows the food product quantities and required temperature and frying times. If the instructions on the product pack should deviate from the values shown in this table, the instructions on the pack should be followed.

Food	Min-max Amount (g)	Time (mins)	Temp (°C)	Notes
Frozen chips	300-750	12-22	200	Turn over if needed
Home-made potato chips	300-750	18-22	200	Add 1/2 tbsp of oil, shake
Beefsteak	100-600	8-18	180	Turn over if needed
Chicken chops	100-500	10-14	180	Turn over if needed
Hamburger	100-600	7-14	180	Add 1/2 tbsp of oil, shake
Sausage rolls	100-800	13-15	200	Add 1/2 tbsp of oil, shake
Chicken drumstick	100-700	18-22	180	Add 1/2 tbsp of oil, shake
Chicken breast	100-700	10-15	180	Turn over if needed
Spring roll	100-800	8-10	200	Turn over if needed
Vegetable	100-800	15	180	

CLEANING AND MAINTENANCE

1. Before handling or cleaning the appliance, let it cool down for approximately 30 minutes. Clean the appliance on all the inside and outside regularly.
2. Clean the outside and inside of the appliance with a damp cloth and dry with a soft, clean cloth.
3. Never use abrasive cleaners or sponges.
4. Remove the basket to let the appliance cool down more quickly. Clean the basket and frying grill in hot water with a washing liquid and a non-abrasive sponge. Dry well before use.

Note: The basket and frying grill are dishwasher safe.

TROUBLE SHOOTING

Problem	Possible cause	Solution
The appliance does not work.	The appliance is not plugged in.	Put the mains plug in an earthed wall socket.
	You have not pressed the on/off button to turn on the machine.	Press the on/off button to turn on the appliance.
The ingredients are not fried completely.	The amount of the food in the basket is too high.	Put smaller batches of ingredients in the basket. Smaller batches are fried more evenly.
	The temperature is too low or the time is not enough.	Increase the temperature or cook more time.
The ingredients are fried unevenly.	Different types of food may need to be shaken halfway during cooking.	Shake food halfway during the cooking time.
Fried snacks are not crispy	You used a type of snacks which shall be cooked in a traditional deep fryer.	Use oven snacks or lightly brush some oil onto the snacks for a crispier result.
White smoke comes out from the appliance.	You are preparing greasy ingredients.	When you fry greasy ingredients, oil will leak into the basket. The oil preduces white smoke and the pan may heat up. This does not affect the cooking result or hurt the appliance.
	The basket still contains grease residue from previous use.	Clean the basket properly after each use.
Fresh fries are fried unevenly.	You haven't used the right potato type.	Use fresh potatoes.
	You haven't rinsed the potato sticks properly before frying.	Rinse the potato sticks properly to remove starch from the outside of the sticks.
Fresh fries are not crispy.	The crispness of the fries depends on the amount of oil and water in the fries	Make sure the potato sticks have been dried properly before adding the oil.
		Cut the potato sticks smaller for a crispier result
		Add slightly more oil for a crispier result.

TECHNICAL DATA

Operating voltage: 220-240V ~ 50-60Hz

Power: 1450W

GUARANTEE AND CUSTOMER SERVICE

Before delivery our devices are subjected to rigorous quality control. If, despite all care, damage has occurred during production or transportation, please return the device to your dealer. In addition to statutory legal rights, the purchaser has an option to claim under the terms of the following guarantee:

For the purchased device we provide 2 years guarantee, commencing from the day of sale. If you have a defective product, you can directly go back to the point of purchase.

Defects which arise due to improper handling of the device and malfunctions due to interventions and repairs by third parties or the fitting of non-original parts are not covered by this guarantee. Always keep your receipt, without the receipt you can't claim any form of warranty. Damage caused by not following the instruction manual, will lead to a void of warranty, if this results in consequential damages then we will not be liable. Neither can we hold responsible for material damage or personal injury caused by improper use if the instruction manual is not properly executed. Damage to accessories does not mean free replacement of the whole appliance. In such case please contact our service department. Broken glass or breakage of plastic parts is always subject to a charge. Defects to consumables or parts subjected to wearing, as well as cleaning, maintenance or the replacement of said parts are not covered by the warranty and are to be paid.

ENVIRONMENT FRIENDLY DISPOSAL



Recycling – European Directive 2012/19/EU

This marking indicates that this product should not be disposed with other household wastes. To prevent possible harm to the environment or human health from uncontrolled waste disposal, recycle it responsibly to promote the sustainable reuse of material resources. To return your used

device, please use the return and collection systems or contact the retailer where the product was purchased. They can take this product for environmental safe recycling.

Emerio B.V.

Zomervaat 1A

2033 DA Haarlem

The Netherlands

Customer service:

T: +31 (0) 23 3034369

E: info@emerio.eu

Kundeninformation:

T: +49 (0) 3222 1097 600

E: info.de@emerio.eu

Klantenservice:

T: +31 (0) 23 3034369

E: info.nl@emerio.eu

SICHERHEITSHINWEISE

Lesen Sie vor dem Gebrauch unbedingt die nachfolgenden Anleitungen, um Verletzungen oder Beschädigungen zu vermeiden und das beste Ergebnis mit dem Gerät zu erzielen. Bewahren Sie diese Bedienungsanleitung an einem sicheren Ort auf. Wenn Sie dieses Gerät an eine andere Person weitergeben, stellen Sie sicher, dass Sie auch diese Bedienungsanleitung aushändigen.

Im Falle von Beschädigungen, die durch die Missachtung der Anleitungen in dieser Bedienungsanleitung verursacht wurden, wird die Garantie ungültig. Der Hersteller/Importeur haftet nicht für Schäden, die durch Missachtung der Bedienungsanleitung, fahrlässigen Gebrauch oder Benutzung, die nicht in Übereinstimmung mit den Anforderungen dieser Bedienungsanleitung erfolgt, verursacht wurden.

1. Dieses Gerät kann von Kindern ab 8 Jahren und Personen mit eingeschränkten körperlichen, sensorischen oder geistigen Fähigkeiten oder mangelnder Erfahrung und Kenntnis benutzt werden, wenn sie beaufsichtigt werden oder in die sichere Benutzung des Gerätes unterwiesen werden und die damit verbundenen Gefahren verstehen.
2. Kinder dürfen nicht mit dem Gerät spielen.
3. Die Reinigung und vom Benutzer auszuführende Wartungsarbeiten sollten nicht von Kindern durchgeführt werden; es sei denn, sie sind älter als 8 Jahre und werden beaufsichtigt.
4. Halten Sie das Gerät und sein Netzkabel außer Reichweite von Kindern unter 8 Jahren.
5. Wenn das Netzkabel beschädigt ist, muss es vom Hersteller, seinem Kundendienst oder einer ähnlich qualifizierten Person ausgewechselt werden, um Gefahren zu vermeiden.

6. Um Informationen zur Reinigung der Flächen zu erhalten, die mit Lebensmitteln oder Öl in Berührung kommen, lesen Sie bitte den Abschnitt „REINIGUNG UND INSTANDHALTUNG“ in der Bedienungsanleitung.
7. Dieses Gerät ist für die Verwendung im Haushalt oder für ähnliche Anwendungen vorgesehen, wie: in Personalküchen von Geschäften, Büros und anderen Arbeitsumgebungen; auf Bauernhöfen; von Kunden in Hotels, Motels und in anderen Unterkünften; in Unterkünften mit Halbpension.
8. Dieses Gerät ist nicht für die Bedienung über einen externen Timer oder ein separates Fernbedienungssystem bestimmt.
9. Bevor Sie den Stecker mit der Netzsteckdose verbinden, prüfen Sie bitte, ob die Spannung und die Frequenz mit den Angaben auf dem Typenschild übereinstimmen.
10. Schließen Sie das Gerät nur an geerdete Steckdosen (Schukosteckdosen) an.
11. Ziehen Sie den Netzstecker aus der Steckdose, wenn das Gerät nicht benutzt und bevor es gereinigt wird.
12. Falls ein Verlängerungskabel verwendet wird, muss es für den Stromverbrauch des Gerätes geeignet sein, sonst kann es zum Überhitzen des Verlängerungskabels und/oder des Steckers kommen. Es besteht Verletzungsgefahr durch Stolpern über das Verlängerungskabel. Lassen Sie Vorsicht walten, um gefährliche Situationen zu vermeiden.
13. Achten Sie darauf, dass das Netzkabel nicht über scharfe Kanten hängt und halten Sie es von heißen Objekten und offenen Flammen fern.
14. Tauchen Sie das Gerät oder den Netzstecker nicht in Wasser oder andere Flüssigkeiten. Es besteht Lebensgefahr aufgrund von Stromschlag!
15. Um den Stecker aus der Steckdose zu entfernen, ziehen Sie am Stecker. Ziehen Sie nicht am Kabel.

16. Berühren Sie das Gerät nicht, wenn es ins Wasser gefallen ist. Ziehen Sie den Stecker aus der Steckdose, schalten Sie das Gerät aus und schicken Sie es an einen autorisierten Kundendienst zwecks Reparatur.
17. Den Netzstecker des Gerätes nicht mit einer nassen Hand aus der Steckdose ziehen oder mit der Steckdose verbinden.
18. Versuchen Sie unter keinen Umständen, das Gehäuse des Gerätes zu öffnen oder das Gerät selbst zu reparieren. Dies könnte einen Stromschlag verursachen.
19. Lassen Sie das Gerät während des Gebrauchs niemals unbeaufsichtigt.
20. Dieses Gerät ist nicht für den gewerblichen Gebrauch konzipiert.
21. Verwenden Sie das Gerät nur zu seinem bestimmungsgemäßen Zweck.
22. Wickeln Sie das Kabel nicht um das Gerät und knicken Sie es nicht.
23. Stellen Sie das Gerät auf eine stabile, ebene Fläche, von der es nicht herunterfallen kann.
24. Bitte schützen Sie das Produkt vor übermäßiger Verschmutzung und Feuchtigkeit.
25. Reinigen Sie das Produkt selbst mit einem leicht angefeuchteten Tuch.
26. Lassen Sie das Gerät nicht unbeaufsichtigt laufen. Wenn Sie den Arbeitsplatz verlassen, schalten Sie das Gerät immer aus oder ziehen Sie den Stecker aus der Steckdose (ziehen Sie direkt am Stecker, nicht am Kabel).
27. Das Gerät nicht an eine Wand oder ein anderes Gerät stellen. Lassen Sie mindestens 10 cm Platz an Rückseite, Seiten und über dem Gerät.
28. Beim Frittieren mit Heißluft entweicht heißer Dampf durch die Luftaustrittsöffnungen. Halten Sie Ihre Hände und Ihr Gesicht in einem sicheren Abstand zum Dampf und zu den Luftaustrittsöffnungen. Nehmen Sie sich auch

vor heißem Dampf und heißer Luft in Acht, wenn Sie den Behälter aus dem Gerät entfernen.

29. Ziehen Sie sofort den Stecker des Gerätes aus der Steckdose, wenn Sie dunklen Rauch aus dem Gerät kommen sehen. Warten Sie, bis kein Rauch mehr zu sehen ist, bevor Sie den Behälter aus dem Gerät nehmen.
30. Vergewissern Sie sich vor jedem Gebrauch des Gerätes, dass das Heizelement und die Umgebung sauber und frei von Speiseresten sind, um eine einwandfreie Funktion zu gewährleisten.

31.

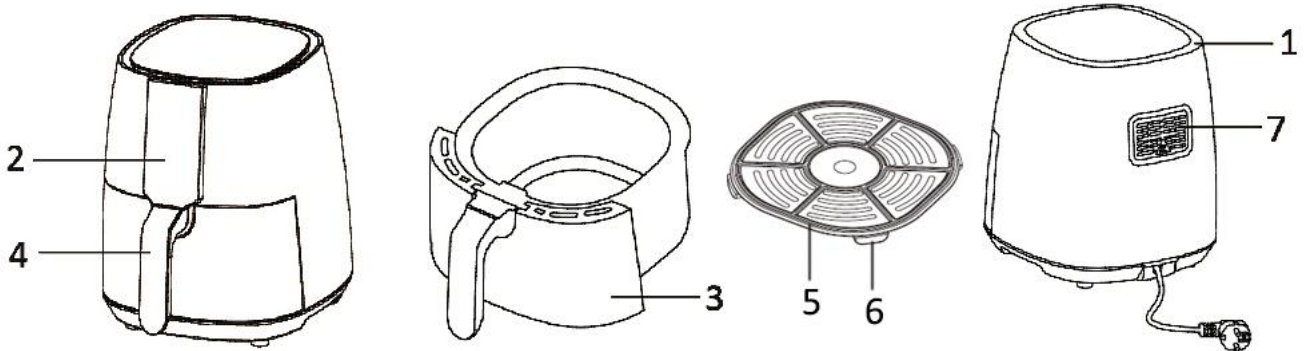


Vorsicht – heiße oberfläche

WARNUNG!! Bitte berühren Sie während des Gebrauchs nicht die Oberfläche. Die Temperatur der zugänglichen Oberflächen kann sehr hoch sein, wenn das Gerät in Betrieb ist.

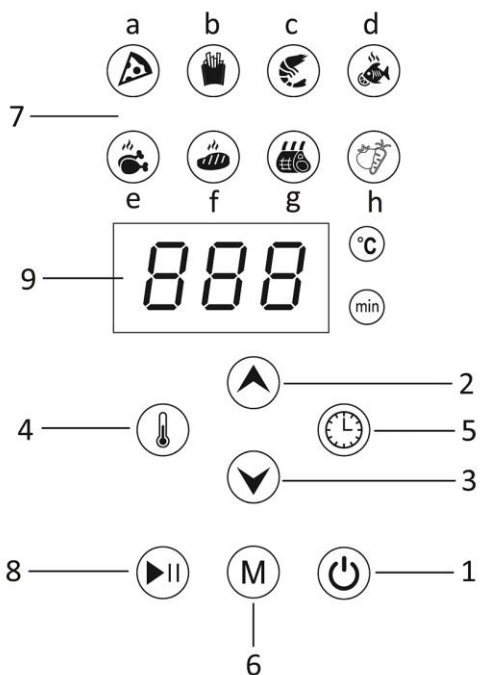
32. Aus dem Lüftungsschlitz an der Rückseite des Gerätes kommt heiße Luft. Achten Sie darauf, ausreichend Abstand zu Material, das hitzeempfindlich ist, wie zum Beispiel Glas, einzuhalten.
33. Wenn Sie Produkte mit Antihafbeschichtung benutzen, stellen Sie bitte sicher, dass sich keine Vögel im gleichen Zimmer befinden und dass das Zimmer komplett geschlossen und gut belüftet werden kann.

TEILEBESCHREIBUNG



1. Lufteinlass
2. Bedienfeld und Display
3. Einsatz
4. Frittierkorbgriff
5. Bratrost
6. Silikonvorsprung
7. Luftauslass

Bedienfeld und Display



1. Ein-/Aus-Taste
2. Einstell-Taste („+“)
3. Einstell-Taste („-“)
4. Temperatur (Einstell-Taste zum Anpassen der Temperatur von 80 °C bis 200 °C drücken.)
5. Timer (Einstell-Taste zum Einstellen der Zeit von 1 bis 60 Minuten drücken.)
6. Menü
7. Programme (untenstehend aufgeführt)
8. Start-/Pause-Taste
9. Timer- und Temperaturanzeige

Menü:

- a). Pizza b). Pommes frites c). Garnelen d). Fisch
- e). Hähnchenschenkel f). Steak g). Rippchen h). Gemüse

VOR DEM GEBRAUCH

Lesen Sie vor Gebrauch zuerst alle Anweisungen durch und bewahren Sie diese für späteres Nachschlagen auf. Schließen Sie dieses Gerät ausschließlich an eine geerdete Steckdose an. Entfernen Sie vor der Erstinutzung das Verpackungsmaterial. Frittierkorb und Bratrost reinigen. (siehe "Reinigung und Instandhaltung"). Reinigen Sie das Gerät innen und außen mit einem weichen Tuch. Achten Sie hierbei darauf, dass die elektrischen Bauteile trocken bleiben. **Dieses Gerät erhitzt Lebensmittel vollständig und für die meisten Zutaten kann auf eine Hinzugabe von Öl verzichtet werden.**

Betreiben Sie das Gerät vor der erstmaligen Nutzung für ca. 10 Minuten, um evtl. Produktionsrückstände zu verbrennen. Achten Sie auf eine gute Belüftung. Nach dem ersten Einschalten kann das Gerät etwas Rauch und einen charakteristischen Geruch absondern. Das ist normal und vergeht nach relativ kurzer Zeit wieder.

Hinweis: Benutzen Sie den Bratrost immer so, dass die Silikonvorsprünge befestigt sind. Sie stabilisieren den Bratrost während des Garvorgangs im Frittierkorb.

GEBRAUCH

1. Stellen Sie das Gerät auf eine trockene, feste und hitzebeständige Fläche.
2. Das Gerät wird während des Gebrauchs heiß; stellen Sie es daher nicht in die unmittelbare Nähe anderer Objekte.
3. Ziehen Sie den Frittierkorb am Frittierkorbgriff aus dem Gerät. Stellen Sie den Bratrost in den Frittierkorb.
4. Speisen in den Frittierkorb geben. Frittierkorb in das Gerät schieben. Achten Sie darauf, dass der Korb korrekt eingesetzt und das Gerät komplett geschlossen ist. Andernfalls wird das Gerät nicht funktionieren. Vorsicht: Berühren Sie den Frittierkorb nicht während des Betriebs oder kurz nach dem Betrieb, da er sehr heiß wird. Fassen Sie den Frittierkorb nur am Griff an.
5. Schließen Sie den Netzstecker an eine geeignete Steckdose an. Das Gerät erzeugt einen Piepton und geht in den Stand-by-Modus. Drücken Sie die Ein-/Aus-Taste; das digitale Display und die Start-/Pause-Taste blinken nun.
6. Drücken Sie die Temperatur-Taste und dann die entsprechende Einstell-Taste, um die gewünschte Temperatur einzustellen (5 °C/Tastendruck). Drücken Sie die Timer-Taste und dann die entsprechende Einstell-Taste, um die gewünschte Zeit einzustellen (1 Minute/Tastendruck). Sie können die Einstell-Taste auch gedrückt halten, um die Einstellung zu beschleunigen.
7. Wenn Sie die Menü-Taste drücken, können Sie direkt ein Garprogramm im Menü auswählen. Falls Sie die Temperatur und Zeit etwas anpassen möchten, folgen Sie den Anleitungen unter Schritt 6. Das Symbol des ausgewählten Programms im Menü blinkt.
8. Drücken Sie einmal die Start-/Pause-Taste; das Gerät startet nun den Garvorgang. Das digitale Display zeigt die eingestellte Temperatur und Zeit an. Um den Vorgang zu unterbrechen, können Sie die Start-/Pause-Taste erneut drücken. Im Pause-Modus blinken das digitale Display und die Start-/Pause-Taste. Wenn während des Pause-Modus für 1 Minute lang keine Taste betätigt wird, schaltet das Gerät automatisch mit 5 Pieptönen in den Stand-by-Modus.
9. Wenn der Garvorgang abgeschlossen ist, blinkt auf dem Display „00 min“ und das Gebläse hört nach einigen Sekunden auf zu laufen. Sie können das Gerät auch manuell durch Drücken der Ein-/Aus-Taste ausschalten. Das Gerät signalisiert mit 5 Pieptönen, dass es in den Stand-by-Modus schaltet.
10. Ziehen Sie den Frittierkorb an seinem Griff aus dem Gerät. Prüfen Sie, ob die Zutaten fertig gegart sind. Falls nicht, schieben Sie den Frittierkorb einfach wieder in das Gerät. Stellen Sie Temperatur und den Timer ein, um die Zutaten noch einige Minuten länger zu garen. Drücken Sie dann die Start-/Pause-Taste, um das Gerät erneut zu starten. HINWEIS: Sie können auch während des Garvorgangs den Frittieriinsatz herausziehen, um die Zutaten zu prüfen und zu schütteln. Wenn Sie den Frittieriinsatz wieder zurückschieben, setzt das Gerät den Betrieb mit den gewählten Einstellungen fort.

11. Leeren Sie den Einsatz und legen Sie die Speisen in eine Schüssel oder auf einen Teller. Nehmen Sie große oder zerbrechliche Zutaten mithilfe einer Zange aus dem Einsatz.
Nehmen Sie solche Speisen wie z. B. Rindfleisch, Huhn, andere Fleischsorten oder fetthaltige Speisen (das überschüssige Fett der Speisen sammelt sich auf dem Boden des Frittierkorbs) bitte einzeln mit einer Zange heraus.
Ziehen Sie zum Herausnehmen von solchen Speisen wie z.B. Pommes frites, Gemüse oder nicht fetthaltige Zutaten den Frittierkorb heraus und geben Sie die Speisen auf das Geschirr.
12. Nach beendetem Garen ist das Gerät sofort für die Zubereitung einer weiteren Zutatenportion bereit.

FRITTIERTIPPS

1. Die optimale Menge für knusprige Pommes frites ist 600 Gramm.
2. Verlängern Sie die Zubereitungszeit um 3 Minuten, wenn das Gerät kalt ist, oder heizen Sie das leere Gerät ungefähr 4 Minuten lang vor.
3. Manche Speisen müssen nach der Hälfte der Garzeit geschüttelt werden. Um die Speisen zu schütteln oder umzudrehen, ziehen Sie den Frittierkorb am Griff aus dem Gerät und schütteln Sie ihn oder drehen Sie die Speisen mit einer Gabel (oder Zange) um. Schieben Sie dann den Frittierkorb zurück ins Gerät.
4. Sie können die Fritteuse auch für das Wiedererwärmen von Zutaten verwenden. Stellen Sie die Temperatur zum Aufwärmen von Speisen für 10 Minuten auf 150 °C ein.
5. Panierte Speisen werden knuspriger, wenn sie mit etwas Pflanzenöl eingesprüht werden.
6. Stellen Sie eine Backform oder eine Auflaufform in das Gerät, wenn Sie einen Kuchen, eine Quiche oder andere mürbe Speisen backen möchten.
7. Bereiten Sie keine extrem fettigen Speisen, wie zum Beispiel Würstchen, in dem Gerät zu.

VORSICHT:

1. Tauchen Sie das Gehäuse nicht ins Wasser und spülen Sie es nicht unter dem Wasserhahn ab.
2. Vermeiden Sie das Eindringen von Flüssigkeiten in das Gerät, um einen Stromschlag oder Kurzschluss zu verhindern.
3. Geben Sie die Zutaten ausschließlich in den Einsatz und vermeiden Sie so, dass die Zutaten in Kontakt mit den Heizelementen kommen.
4. Der Luftein- und -auslass darf während der Betriebszeit des Geräts nicht abgedeckt werden. Lassen Sie mindestens 10 cm Platz rund um und über dem Gerät.
5. Es besteht die Gefahr eines Feuers, wenn der Frittierinsatz mit Öl gefüllt wird!
6. Berühren Sie nicht die Innenseite des Gerätes, wenn es läuft.
7. Vorsicht mit heißem Dampf und heißer Luft, wenn der Einsatz aus dem Gerät genommen wird.
8. Während des Betriebs strömt heißer Dampf aus dem Luftauslass. Halten Sie mit Händen und Gesicht einen sicheren Abstand zum Luftauslass und Dampf.
9. Schalten Sie das Gerät sofort aus und ziehen Sie den Gerätestecker aus der Steckdose, wenn Sie dunklen Rauch aus dem Gerät quellen sehen. Das bedeutet, dass die Speisen verbrannt sind oder das Fehlfunktionen auftreten.

FRITTIER-TABELLE

In dieser Tabelle sind die Lebensmittelmengen, die erforderlichen Temperaturen und Frittierzeiten angegeben. Falls die Anweisungen auf der jeweiligen Produktverpackung von den Tabellenwerten abweichen sollten, sind die Anweisungen auf der Verpackung zu befolgen.

Lebensmittel	Min. – Max. Menge(gr.)	Zeit (Min.)	Temperatur (°C)	Anmerkungen
Tiefgekühlte Pommes frites	300-750	12-22	200	Gegebenenfalls umdrehen
Selbstgemachte Kartoffelchips	300-750	18-22	200	1/2 EL Öl dazugeben, schütteln
Beefsteak	100-600	8-18	180	Gegebenenfalls umdrehen

Hähnchenkoteletts	100-500	10-14	180	Gegebenenfalls umdrehen
Hamburger	100-600	7-14	180	1/2 EL Öl dazugeben, schütteln
Wurstchen im Schlafrock	100-800	13-15	200	1/2 EL Öl dazugeben, schütteln
Hähnchenschenkel	100-700	18-22	180	1/2 EL Öl dazugeben, schütteln
Hühnerbrust	100-700	10-15	180	Gegebenenfalls umdrehen
Frühlingsrollen	100-800	8-10	200	Gegebenenfalls umdrehen
Gemüse	100-800	15	180	

REINIGUNG UND INSTANDHALTUNG

1. Lassen Sie das Gerät für ca. 30 Minuten abkühlen, bevor Sie es anfassen oder säubern. Reinigen Sie das Gerät regelmäßig von innen und außen.
2. Säubern Sie die Außen- und Innenseite des Geräts mit einem feuchten Tuch und reiben Sie es mit einem weichen, sauberen Tuch trocken.
3. Keinesfalls scheuernde Reiniger oder Schwämme verwenden.
4. Nehmen Sie den Frittierkorb heraus, damit sich das Gerät schneller abkühlen kann. Waschen Sie den Frittierkorb und Bratrost in heißem Wasser mit Geschirrspülmittel und einem nicht scheuernden Schwamm ab. Vor dem Gebrauch gründlich abtrocknen.

Hinweis: Frittierkorb und Bratrost sind spülmaschinenfest.

FEHLERBEHEBUNG

Problem	Mögliche Ursache	Lösung
Das Gerät funktioniert nicht.	Das Gerät ist nicht am Strom angeschlossen.	Den Netzstecker an eine geerdete Wand-Steckdose anschließen.
	Sie haben die Ein/Aus-Taste nicht gedrückt, um das Gerät einzuschalten.	Drücken Sie die Ein/Aus-Taste, um das Gerät einzuschalten.
Die Zutaten sind nicht durchgegart.	Die Menge der Lebensmittel im Frittierinsatz ist zu groß.	Fügen Sie kleinere Mengen an Zutaten in den Einsatz. Kleinere Mengen werden gleichmäßiger frittiert.
	Die Temperatur ist zu niedrig oder die Zeit zu kurz eingestellt.	Temperatur erhöhen oder Garvorgang verlängern.
Die Zutaten sind ungleichmäßig frittiert.	Verschiedene Lebensmittelarten müssen in der Hälfte der Zubereitungszeit geschüttelt werden.	Schütteln Sie die Lebensmittel während der Hälfte der Zubereitungszeit.
Die gebratenen Snacks sind nicht knusprig.	Sie haben eine Art Snacks benutzt, die in einer traditionellen Fritteuse frittiert werden sollten.	Verwenden Sie Ofen-Snacks oder streichen Sie ein bisschen Öl auf die Snacks für ein knusprigeres Resultat.
Aus dem Gerät steigt weißer Rauch.	Sie bereiten fettige Zutaten zu.	Beim Frittieren von fettigen Lebensmitteln, tropft Fett in den Frittierkorb. Das Fett erzeugt weißen Rauch und der Behälter kann sich erhitzen. Das Garergebnis wird dadurch nicht beeinträchtigt und das Gerät bleibt unversehrt.
	Der Korb enthält noch Fettreste vom vorherigen Gebrauch.	Den Korb nach jedem Gebrauch reinigen.
Frische Pommes Fritten sind ungleichmäßig frittiert.	Sie haben nicht die richtige Kartoffelsorte verwendet.	Frische Kartoffeln verwenden.

	Sie haben die Kartoffelstäbchen vor dem Frittieren nicht gründlich abgespült.	Spülen Sie die Kartoffelstäbchen richtig ab, um Stärke von der Außenseite der Stäbchen zu entfernen.
Frische Pommes sind nicht knusprig.	Die Knusprigkeit der Pommes hängt vom Gehalt an Öl und Wasser in den Pommes ab.	Achten Sie darauf, dass die Kartoffelstäbchen richtig abgetrocknet wurden, bevor Sie Öl hinzufügen.
		Schneiden Sie die Kartoffelstückchen kleiner für ein knusprigeres Resultat.
		Fügen Sie für ein knusprigeres Resultat etwas mehr Öl hinzu.

TECHNISCHE DATEN

Betriebsspannung: 220-240V ~ 50-60Hz

Leistung: 1450W

GARANTIE UND KUNDENSERVICE

Vor der Lieferung werden unsere Geräte einer strengen Qualitätskontrolle unterzogen. Wenn, trotz aller Sorgfalt, während der Produktion oder dem Transport Beschädigungen aufgetreten sind, senden Sie das Gerät zurück an den Händler. Zusätzlich zu den gesetzlichen Rechten hat der Käufer die Option, gemäß den folgenden Bedingungen Garantie zu fordern:

Wir bieten eine 2-Jahres-Garantie für das erworbene Gerät, beginnend am Tag des Verkaufs. Wenn Sie ein defektes Produkt haben, nehmen Sie bitte direkt Kontakt mit dem Verkäufer auf.

Defekte, die aufgrund von unangemessenem Umgang mit dem Gerät entstehen und Störungen aufgrund von Eingriffen und Reparaturen Dritter oder das Montieren von nicht-Originalteilen werden nicht von dieser Garantie abgedeckt. Die Quittung immer aufbewahren, ohne Quittung wird jegliche Garantie ausgeschlossen. Bei Schäden durch Nichteinhalten der Bedienungsanleitung erlischt die Garantie, Wir sind für daraus resultierende Folgeschäden nicht haftbar. Für Materialschäden oder Verletzungen aufgrund falscher Anwendung oder Nichtbefolgen der Sicherheitshinweise sind wir nicht haftbar. Schäden an den Zubehörteilen bedeutet nicht, dass das gesamte Gerät kostenlos ausgetauscht wird. In diesem Fall kontaktieren Sie unseren Kundendienst. Zerbrochenes Glas oder Kunststoffteile sind immer kostenpflichtig. Schäden an Verbrauchsmaterialien oder Verschleißteilen, sowie Reinigung, Wartung oder Austausch der besagten Teile werden durch die Garantie nicht abgedeckt und sind deshalb kostenpflichtig.

UMWELTGERECHTE ENTSORGUNG



Wiederverwertung – Europäischen Richtlinie 2012/19/EG

Dieses Symbol zeigt an, dass das Produkt nicht zusammen mit Haushaltsabfällen entsorgt werden darf. Um Umwelt- und Gesundheitsschäden durch unkontrollierte Abfallentsorgung zu verhindern, bitte verantwortungsbewusst entsorgen, um die nachhaltige Wiederverwertung von Ressourcen zu fördern. Nutzen Sie zur Rückgabe Ihres Altgeräts bitte die Rückgabe- und Sammelsysteme oder wenden Sie sich an den Händler bei dem Sie dieses Gerät erworben haben. Dieser kann das Gerät umweltschonend entsorgen.

Emerio B.V.
Zomervaart 1A
2033 DA Haarlem
The Netherlands

Customer service:
T: +31 (0) 23 3034369
E: info@emerio.eu

Kundeninformation:
T: +49 (0) 3222 1097 600
E: info.de@emerio.eu

Klantenservice:
T: +31 (0) 23 3034369
E: info.nl@emerio.eu

CONSIGNES DE SÉCURITÉ

Avant d'utiliser l'appareil, lisez toutes les consignes suivantes pour éviter des blessures et des dommages, et pour optimiser les performances de votre appareil. Conservez cette notice d'utilisation dans un endroit sûr. Si vous donnez ou transférez cet appareil à un tiers, veillez à lui remettre également cette notice d'utilisation.

En cas de détérioration due au non-respect par l'utilisateur des instructions de cette notice d'utilisation, la garantie est annulée. Le fabricant/importateur rejette toute responsabilité en cas de dommages dus au non-respect des instructions de la notice d'utilisation, à un usage négligent ou à l'usage non conforme aux exigences de cette notice d'utilisation.

1. Cet appareil peut être utilisé par des enfants à partir de 8 ans et plus et par des personnes ayant des capacités physiques, sensorielles ou mentales réduites ou un manque d'expérience et de connaissances à condition qu'elles aient reçu une supervision ou des instructions concernant l'utilisation de l'appareil en toute sécurité et qu'elles comprennent les dangers encourus.
2. Les enfants ne doivent pas jouer avec l'appareil.
3. Le nettoyage et l'entretien par l'utilisateur ne doivent pas être effectués par des enfants, sauf s'ils ont plus de 8 ans et qu'ils sont surveillés.
4. Maintenir l'appareil et son cordon hors de portée des enfants de moins de 8 ans.
5. Si le câble d'alimentation est endommagé, il doit être remplacé par le fabricant, son service après-vente ou des personnes de qualification similaire afin d'éviter un danger.
6. Pour obtenir des instructions sur comment nettoyer les surfaces qui sont en contact avec des aliments ou de

l'huile, reportez-vous au paragraphe « NETTOYAGE ET ENTRETIEN » du mode d'emploi.

7. Cet appareil est destiné à être utilisé dans des applications domestiques et analogues telles que: des coins cuisines réservés au personnel dans des magasins, bureaux et autres environnements professionnels; des fermes; l'utilisation par les clients des hôtels, motels et autres environnements à caractère résidentiel; des environnements du type chambres d'hôtes.
8. Les appareils ne sont pas destinés à être mis en fonctionnement au moyen d'une minuterie extérieure ou par un système de commande à distance séparé.
9. Avant d'insérer la fiche de l'appareil dans une prise secteur, vérifiez que la tension et la fréquence du secteur correspondent aux spécifications indiquées sur la plaque signalétique.
10. Branchez l'appareil sur une prise raccordée à la terre.
11. Débranchez la fiche électrique de la prise électrique quand l'appareil n'est pas utilisé et avant de le nettoyer.
12. Si vous utilisez une rallonge électrique, elle doit être appropriée à la puissance consommée par l'appareil, sinon la rallonge et/ou la fiche risquent de chauffer excessivement. Il existe un risque potentiel de blessures par trébuchement sur le cordon électrique. Prenez vos précautions pour éviter toute situation dangereuse.
13. Veillez à ce que le cordon d'alimentation ne pende pas sur des arêtes coupantes et maintenez-le éloigné des objets chauds et des flammes nues.
14. N'immergez jamais l'appareil ou sa fiche dans de l'eau ni dans aucun autre liquide. Cela peut provoquer un choc électrique !
15. Pour débrancher la fiche de la prise, saisissez la fiche et tirez-la hors de la prise. Ne tirez pas sur le cordon d'alimentation.

16. Ne touchez pas l'appareil s'il tombe dans de l'eau. Débranchez la fiche de la prise électrique, éteignez l'appareil et rapportez-le au centre de réparation agréé pour le faire réparer.
17. Ne branchez pas et ne débranchez pas l'appareil de la prise électrique avec les mains mouillées.
18. N'essayez pas d'ouvrir le boîtier de l'appareil ni de réparer l'appareil vous-même. Cela peut provoquer un choc électrique.
19. Ne laissez jamais l'appareil sans surveillance quand il est en fonctionnement.
20. Cet appareil n'est pas conçu pour un usage commercial.
21. N'utilisez pas cet appareil à un usage autre que celui pour lequel il a été conçu.
22. N'enroulez pas le cordon d'alimentation autour de l'appareil et ne le pliez pas.
23. Placez l'appareil sur une surface horizontale et stable, de laquelle il ne peut pas tomber.
24. Veillez à ce que l'appareil ne soit pas exposé à une humidité ou des saletés excessives.
25. Nettoyez le produit avec un chiffon légèrement humidifié.
26. N'utilisez pas l'appareil sans le surveiller. Si vous devez quitter la zone d'utilisation, éteignez toujours l'appareil et débranchez toujours sa fiche de la prise électrique (saisissez et tirez la fiche, et non le cordon d'alimentation).
27. N'installez pas l'appareil contre un mur ou contre un autre appareil. Laissez un espace d'au moins 10 cm à l'arrière, sur les côtés et au-dessus de l'appareil.
28. Cette friteuse à air chaud dégage de la vapeur brûlante par ses ouvertures de sortie d'air lorsqu'elle fonctionne. N'approchez pas vos mains ou votre visage des jets de vapeur brûlants des sorties d'air. De même, faites attention à ne pas vous brûler avec l'air et la vapeur brûlants lorsque vous retirez le panier de l'appareil.

29. Si l'appareil dégage de la fumée noire, débranchez-le immédiatement. Attendez que la fumée s'arrête avant de retirer le panier de l'appareil.
30. Avant chaque utilisation de l'appareil, vérifiez que l'élément chauffant et la zone l'entourant sont propres et exempts de tout résidu alimentaire afin de garantir un fonctionnement parfait.

31.

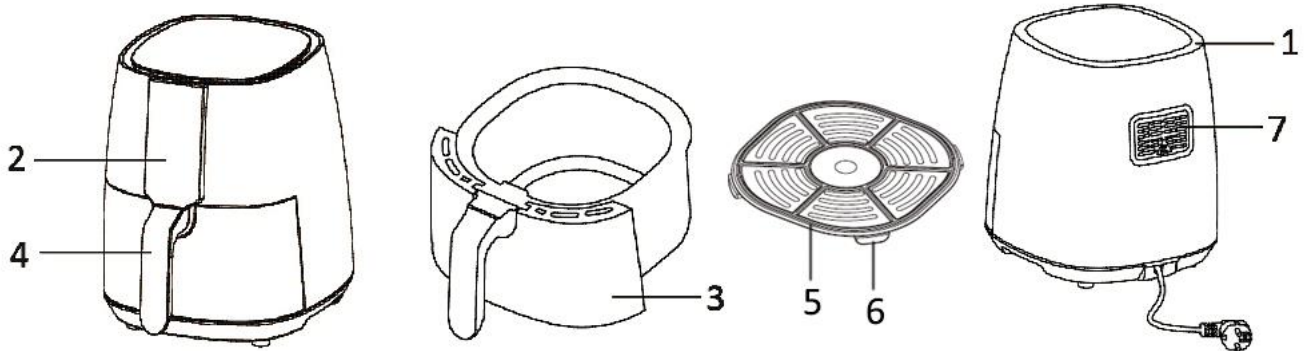


Attention, surface chaude.

Avertissement!! Veuillez ne pas toucher la surface pendant l'utilisation. La température des surfaces accessibles peut être élevée lorsque l'appareil est en fonctionnement.

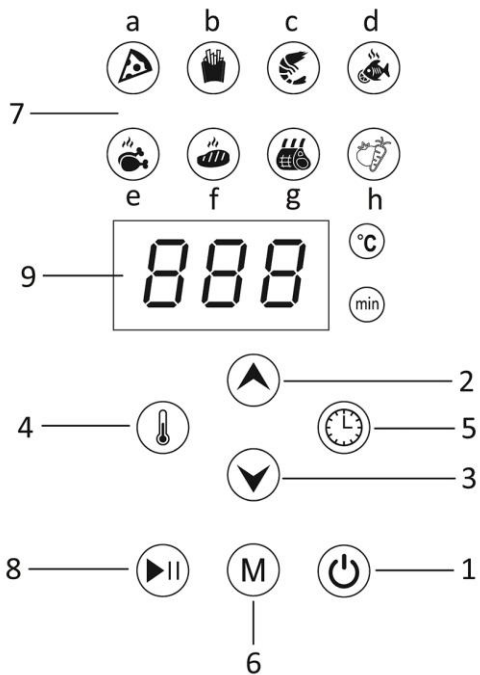
32. De l'air chaud sort de la bouche d'aération située à l'arrière de l'appareil. Veillez à maintenir une distance suffisante des matériaux, tels que le verre, qui sont sensibles à la chaleur.
33. Si vous utilisez des produits antiadhésifs, veillez à ce qu'il n'y ait aucun oiseau dans la pièce et à ce que la pièce soit complètement fermée et bien aérée.

DESCRIPTION DES COMPOSANTS



1. Entrée d'air
2. Panneau de contrôle et affichage
3. Panier
4. Poignée du panier
5. Grille de cuisson
6. Support siliconé
7. Sortie d'air

Panneau de contrôle et affichage



1. Bouton marche/arrêt
2. Bouton de réglage (« + »)
3. Bouton de réglage (« - »)
4. Commande de la température (appuyez sur le bouton de réglage pour régler la température entre 80 °C et 200 °C)
5. Commande du minuteur (appuyez sur le bouton de réglage pour régler la durée entre 1 et 60 minutes)
6. Menu sélection
7. Menu (listé ci-dessous)
8. Bouton Démarrer/pause

9. Écran du minuteur et de la température

Menu :

- a). pizza, b). frites, c). crevettes, d). poisson,
- e). pilons, f). steak, g). côte, h). légumes

AVANT TOUTE UTILISATION

Lisez les instructions dans leur intégralité, et conservez-les pour référence future. Utiliser cet appareil avec une prise équipée d'une mise à la terre seulement. Avant la première utilisation, retirez tous les éléments d'emballage. Nettoyez le panier et la grille de cuisson. (Voir « Nettoyage et entretien »). Essuyez l'intérieur et l'extérieur de l'appareil avec un tissu doux. Veillez à ne pas mouiller les composants électriques. **L'appareil fait chauffer les aliments de manière homogène, et une grande majorité d'ingrédients ne nécessitent aucune addition d'huile.**

Faites fonctionner la machine à puissance moyenne pendant 10 environ avant la première utilisation pour brûler les résidus de fabrication. Veillez à faire cela dans un lieu correctement aéré. Lorsque l'appareil chauffe pour la première fois, ce dernier pourrait émettre une légère fumée et une légère odeur. Ceci est normal et ne durera pas.

Remarque : Utilisez toujours la grille de cuisson avec les supports siliconés couverts. Ils aident à stabiliser la grille dans le panier pendant la cuisson.

UTILISATION

1. Posez l'appareil sur une surface sèche, stable et thermorésistante.
2. L'appareil chauffe pendant son fonctionnement, ne pas le positionner à proximité d'autres objets inflammables.
3. Sortez le panier de l'appareil en saisissant la poignée du panier. Placez la grille de cuisson dans le panier.
4. Mettez les ingrédients dans le panier. Insérez le panier dans l'appareil. Vérifiez qu'ils sont correctement positionnés et complètement fermés. Sinon l'appareil ne fonctionnera pas. Attention : Ne touchez pas le panier pendant l'utilisation ou peu après l'utilisation, car il devient très chaud. Saisissez le panier exclusivement par sa poignée.
5. Branchez la fiche secteur sur une prise de courant adaptée. L'appareil émet un bip et se met en veille. Appuyez sur le bouton marche/arrêt, l'écran numérique et le bouton démarrer/pause clignotent.
6. Appuyez sur le bouton de commande de la température, puis sur le bouton de réglage pour définir la température souhaitée (5 °C / pression). Appuyez sur le bouton de commande du minuteur, puis sur le bouton de réglage pour définir la durée souhaitée (1 minute / pression). Vous pouvez également appuyer longuement sur le bouton de réglage pour un réglage rapide.
7. Vous pouvez également appuyer sur le bouton de sélection du menu pour choisir directement les fonctions de cuisson dans le menu. Si vous souhaitez régler un peu la durée et la température, veuillez effectuer le réglage comme à l'étape 6. L'icône de l'aliment sélectionné clignote dans le menu.
8. Appuyez une fois sur le bouton allumer/pause, la machine démarre. L'écran numérique affiche la température et la durée définies. Vous pouvez appuyer à nouveau sur le bouton démarrer/pause pour faire une pause. En pause, l'écran numérique et le bouton démarrer/pause clignotent. Si aucune opération n'est effectuée pendant environ 1 minute lorsque l'appareil est en pause, la machine se met automatiquement en veille en émettant 5 bips.
9. Lorsque tout le processus de cuisson est terminé, « 00 min » clignote sur l'écran, puis la soufflerie s'arrête de fonctionner en quelques secondes. Vous pouvez également éteindre manuellement la machine en appuyant sur le bouton marche/arrêt. La machine émet 5 bips lorsqu'elle se met en veille.
10. Retirez le panier de l'appareil par la poignée du panier. Vérifiez si les ingrédients sont prêts. Si ce n'est pas le cas, faites glisser le panier dans l'appareil. Réglez la température et le minuteur sur quelques minutes supplémentaires. Puis appuyez sur le bouton démarrer/pause pour faire fonctionner à nouveau la machine. **REMARQUE :** Vous pouvez également retirer le panier pour vérifier et secouer les ingrédients pendant la cuisson. Lorsque vous faites glisser le panier en arrière, la machine reprend son fonctionnement avec le réglage sélectionné.
11. Videz le panier, mettez les aliments dans un bol ou sur une assiette. Pour retirer les ingrédients fragiles ou grands, soulevez-les hors du panier avec une pince.
Pour retirer les ingrédients tels que le bœuf, le poulet, la viande et les ingrédients naturellement gras (dont le gras en excès est collecté au fond du panier), utilisez des pinces et saisissez-les un par un.

Pour retirer les ingrédients tels que les légumes et les ingrédients non gras, sortez le panier et versez les ingrédients dans un plat.

12. L'appareil peut immédiatement être utilisé pour frire un second lot d'aliments si désiré.

CONSEILS DE CUISSON

1. La quantité optimale de frites à frire à la fois est de 600 grammes.
2. Ajoutez 3 minutes de plus à la durée de la préparation quand l'appareil est froid ou vous pouvez aussi laisser l'appareil préchauffer pendant 4 minutes environ sans ingrédient à l'intérieur.
3. Certains ingrédients nécessitent d'être secoués à mi-cuisson. Pour secouer ou retourner les ingrédients, tirez le panier hors de l'appareil en saisissant sa poignée et secouez-le ou retournez les ingrédients avec une fourchette (ou une pince). Puis réinsérez le panier dans l'appareil.
4. La friteuse ne peut pas être utilisée pour réchauffer les ingrédients. Pour réchauffer les ingrédients, sélectionnez une température de 150 °C pour une durée de 10 minutes.
5. Les aliments recouverts de panure deviendront plus croquants si vous les recouvrez d'une petite quantité d'huile végétale.
6. Placez un moule ou un plat de four dans l'appareil si vous voulez cuire un gâteau, une quiche ou d'autres préparations fragiles.
7. Ne préparez pas d'ingrédients extrêmement gras (par exemple des saucisses) dans l'appareil.

ATTENTION

1. Ne pas immerger l'appareil ou le rincer sous le robinet.
2. Ne pas verser d'eau à l'intérieur de l'appareil, pour éviter les risques de choc électrique ou de court-circuit.
3. Veiller à ce que les aliments ne débordent pas du panier, pour éviter tout contact avec les éléments chauffants.
4. Ne pas bloquer l'entrée ni la sortie d'air lorsque l'appareil est en fonctionnement. Laissez un espace vide de 10 cm autour et au-dessus de l'appareil.
5. Remplir le panier avec de l'huile peut provoquer un incendie !
6. Ne touchez pas l'intérieur de l'appareil quand il est en fonctionnement.
7. L'appareil peut laisser échapper de l'air très chaud à son ouverture.
8. De l'air chaud est relâché par la sortie d'air pendant le fonctionnement. Veillez à ne pas approcher ni vos mains ni votre visage de l'appareil en fonctionnement.
9. Éteignez et débranchez immédiatement l'appareil si vous voyez de la fumée noire sortir de l'appareil, car cela indique que les ingrédients sont trop cuits ou que l'appareil est en panne.

TABLEAU DE DURÉES DE FRITURE

Le tableau de friture ci-après indique les quantités d'aliments ainsi que la température et le temps de friture respectifs requis. Respectez les instructions fournies sur l'emballage de vos aliments si elles diffèrent de celles fournies dans le tableau.

Aliment	Quantité min-max (g)	Durée (minutes)	Température (°C)	Remarques
Frites surgelées	300-750	12-22	200	Retourner si nécessaire
Frites fait-maison	300-750	18-22	200	Ajouter 1/2 c. à soupe d'huile, secouer
Bifteck	100-600	8-18	180	Retourner si nécessaire
Côtes de porc	100-500	10-14	180	Retourner si nécessaire
Hamburger	100-600	7-14	180	Ajouter 1/2 c. à soupe d'huile, secouer
Feuilletés à la saucisse	100-800	13-15	200	Ajouter 1/2 c. à soupe d'huile, secouer
Pilons de poulet	100-700	18-22	180	Ajouter 1/2 c. à soupe d'huile, secouer

Blanc de poulet	100-700	10-15	180	Retourner si nécessaire
Rouleaux de printemps	100-800	8-10	200	Retourner si nécessaire
Légume	100-800	15	180	

NETTOYAGE ET ENTRETIEN

1. Attendez 30 minutes pour permettre à l'appareil de refroidir avant de le manipuler ou de le nettoyer. Nettoyez les surfaces internes et externes de l'appareil régulièrement.
2. Nettoyez les surfaces internes et externes de l'appareil avec un chiffon humide, puis séchez-les avec un chiffon sec et doux.
3. Ne jamais utiliser de nettoyeurs ni d'éponges abrasifs.
4. Retirez le panier pour laisser l'appareil refroidir plus rapidement. Nettoyez le panier et la grille à l'eau chaude avec du liquide vaisselle et une éponge non abrasive. Séchez-les complètement avant réutilisation.

Remarque : Le panier et la grille peuvent être lavés au lave-vaisselle.

DÉPANNAGE

Problème	Cause possible	Solution
L'appareil ne fonctionne pas.	L'appareil n'est pas branché.	Branchez le cordon d'alimentation à une prise murale avec mise à la terre.
	Vous n'avez pas appuyé sur le bouton marche/arrêt pour allumer l'appareil.	Appuyez sur le bouton marche/arrêt pour allumer l'appareil.
Les ingrédients ne sont pas correctement frits.	La quantité d'aliments dans le panier est trop élevée.	Cuisez les aliments en plus petites quantités. Une plus petite quantité permet d'assurer une cuisson plus homogène.
	La température est trop basse ou le temps de cuisson trop court.	Augmentez la température ou cuisez plusieurs fois.
Les ingrédients sont frits de manière irrégulière.	Certains aliments doivent être mélangés au milieu du temps de cuisson.	Mélangez les aliments au milieu du temps de cuisson.
Les aliments frits ne sont pas croustillants	Vous avez utilisé un type d'aliment qui doit être cuit dans une friteuse traditionnelle.	Utilisez des snacks pour four ou brossez un peu d'huile sur les aliments pour obtenir un résultat plus croustillant
L'appareil émet de la fumée blanche.	Les aliments que vous préparez sont riches en graisse.	Lorsque vous faites frire des ingrédients gras, de l'huile s'écoule sur le panier. L'huile produit une fumée blanche et le récipient peut chauffer. Cela n'a pas d'effet sur le résultat de la cuisson ou n'endommage pas l'appareil.
	Le panier contient toujours des résidus de graisse provenant d'une utilisation précédente.	Nettoyez correctement le panier après chaque utilisation.

Les frites fraîches sont cuites inégalement	Vous n'avez pas utilisé le bon type de pommes de terre.	Utilisez des pommes de terre fraîches.
	Vous n'avez pas correctement rincé les bâtonnets de pommes de terre avant de les faire frire.	Rincez correctement les frites pour enlever l'amidon de leur surface.
Les frites ne sont pas croustillantes	La texture des frites dépend de la quantité d'huile et d'eau dans les frites.	Assurez-vous que les frites ont été séchées correctement avant d'ajouter l'huile.
		Coupez les pommes de terre de façon à obtenir des frites plus minces pour un résultat plus croustillant.
		Ajoutez un peu plus d'huile pour que les frites soient bien croustillantes.

DONNÉES TECHNIQUES

Tension de fonctionnement: 220-240V ~ 50-60Hz

Puissance: 1450W

GARANTIE ET SERVICE APRÈS-VENTE

Nos appareils sont soumis à un contrôle de qualité strict avant d'être livrés. Si l'appareil a toutefois été endommagé lors de la production ou du transport en dépit des soins que nous lui donnons, retournez l'appareil au vendeur. En plus des droits juridiques, le client a la possibilité dans les limites de la garantie de déposer les réclamations suivantes:

Nous offrons une garantie de 2 ans pour l'appareil acheté à partir de la date de vente. En cas de produit défectueux, vous pouvez retourner directement au point de vente.

Les défauts dus à une utilisation non conforme de l'appareil et les dommages dus à une intervention ou réparation faite par une tierce personne ou dus à l'installation de pièces qui ne sont pas d'origine ne sont pas couverts par cette garantie. Conservez toujours votre reçu, car sans celui-ci vous ne pourrez réclamer aucune sorte de garantie. Les dommages causés par le non respect des instructions de ce manuel rendront la garantie caduque, nous déclinons toute responsabilité en cas de dommages indirects. Nous déclinons toute responsabilité en cas de dégâts matériels ou de dommages corporels causés par une utilisation inappropriée ou si les instructions de sécurité n'ont pas été convenablement observées. Si les accessoires sont endommagés, cela ne signifie pas que toute la machine sera remplacée gratuitement. Dans de tels cas, veuillez contacter notre assistance. Des pièces brisées en verre ou en plastique sont toujours sujettes à des frais. Les défauts des consommables ou des pièces susceptibles de s'user, ainsi que le nettoyage, l'entretien ou la réparation desdites pièces ne sont pas couverts par la garantie et doivent donc être payés.

APPAREIL RESPECTUEUX DE L'ENVIRONNEMENT



Recyclage – Directive européenne 2012/19/EU

Ce symbole indique que le produit ne doit pas être jeté avec les ordures ménagères. Pour limiter les risques pour l'environnement et la santé entraînés par le rejet non contrôlé des déchets, recyclez ce dernier pour promouvoir une réutilisation responsable de ses matériaux. Pour recycler votre produit, utilisez les réseaux de collecte de votre région ou prenez contact avec le revendeur

du produit. Ce dernier pourra vous aider à le recycler.

Emerio B.V.
Zomervaart 1A
2033 DA Haarlem
The Netherlands

Customer service:
T: +31 (0) 23 3034369
E: info@emerio.eu

Kundeninformation:
T: +49 (0) 3222 1097 600
E: info.de@emerio.eu

Klantenservice:
T: +31 (0) 23 3034369
E: info.nl@emerio.eu

SÄKERHETSANVISNINGAR

Före användning och för att att erhålla bästa resultat från apparaten, var noga med att läsa igenom alla instruktioner nedan för att undvika skada på person eller egendom. Se till att förvara denna bruksanvisning på en säker plats. Om du ger bort eller överlåter denna apparat till någon, se till att även inkludera denna bruksanvisning.

Vid skador som orsakats av att användaren inte följer instruktionerna i denna bruksanvisning ogiltighetsförklaras garantin. Tillverkaren/importören tar inget ansvar för skador som orsakats av underlåtenhet att följa bruksanvisningen, vid en vårdslös användning eller användning som inte är i enlighet med kraven i denna bruksanvisning.

1. Denna apparat kan användas av barn från 8 år och uppåt, samt av personer med nedsatt fysisk, sensorisk eller mental förmåga eller av personer som saknar erfarenhet och kunskap under förutsättning att de övervakas eller mottagit instruktioner för säker användning av apparaten och förstår riskerna.
2. Barn får inte leka med apparaten.
3. Rengöring och underhåll får inte utföras av barn såvida de inte är äldre än 8 år och övervakas.
4. Håll apparaten och dess strömkabel utom räckhåll för barn under 8 år.
5. Om strömkabeln är skadad måste den bytas ut av tillverkaren, dess servicerepresentant eller liknande kvalificerad person för att undvika fara.
6. Se avsnittet " RENGÖRING OCH UNDERHÅLL " i bruksanvisningen för instruktioner om hur man rengör ytor som kommit i kontakt med mat eller olja.
7. Denna apparat ämnas för att användas i hushåll och liknande bruksområden, till exempel: personalköken i butiker, kontor och andra arbetsmiljöer; lantgårdshus; av

kunder i hotell, motell, och andra liknande bostadsmiljöer; vandrarhem och liknande miljöer.

8. Denna apparat är inte avsedd för användning med en extern timer eller ett separat fjärrstyrningssystem.
9. Innan du ansluter strömkontakten till eluttaget, kontrollera att spänningen och frekvensen överensstämmer med specifikationerna på märkplåten.
10. Plugga alltid in apparaten i en jordad kontakt.
11. Dra ut strömkontakten från eluttaget när apparaten inte används och före rengöring.
12. Om en förlängningskabel används måste den vara lämplig för apparatens strömförbrukning, annars kan överhettning av förlängningskabeln och/eller strömkontakten inträffa. Det finns en eventuell risk för personskador om man snubblar över förlängningskabeln. Var noga med att undvika att skapa farliga situationer.
13. Säkerställ att strömkabeln inte hänger över någon skarp kant och håll den borta från varma föremål och öppen eld.
14. Sänk inte ner apparaten eller strömkontakten i vatten eller någon annan vätska. Det är livsfarligt på grund av elektriska stötar!
15. För att dra ut strömkontakten från eluttaget, dra ut den via strömkontakten. Dra inte i strömkabeln.
16. Vidrör inte apparaten om den faller ner i vatten. Dra ut strömkontakten från eluttaget, stäng av apparaten och lämna in den på ett auktoriserat servicecenter för reparation.
17. Du får inte koppla in eller dra ut apparaten från eluttaget med blöta händer.
18. Försök aldrig att öppna apparatens hölje eller reparera den själv. Det kan orsaka elektriska stötar.
19. Lämna aldrig apparaten obevakad vid användning.
20. Denna apparat är inte utvecklad för kommersiell användning.
21. Använd inte apparaten för något annat ändamål än den är avsedd för.

22. Linda inte kabeln runt apparaten och undvik att böja den.
23. Placera apparaten på en stabil, jämn yta som den inte kan falla ner från.
24. Se till att produkten inte utsätts för mycket smuts och fukt.
25. Rengör själva produkten med en något fuktad trasa.
26. Använd inte maskinen utan tillsyn. Om du lämnar arbetsområdet, stäng alltid av maskinen eller dra ut strömkontakten från eluttaget (dra i själva kontakten, inte i kabeln).
27. Placera inte apparaten mot en vägg eller en annan apparat. Lämna ett fritt avstånd på minst 10 cm på baksidan, sidorna och ovanför apparaten.
28. Vid varmluftsfritering släpps het ånga ut genom luftutsläppen. Håll händer och ansikte på ett säkert avstånd från ångan och luftutsläppen. Var även uppmärksam på den heta ångan och luften när pannan tas ut ur apparaten.
29. Dra omedelbart ut apparatens strömkontakt ur eluttaget om det kommer mörk rök från apparaten. Vänta tills röken avtagit helt innan pannan tas ut ur apparaten.
30. Kontrollera alltid innan apparaten används att värmeelementet och omgivningen är ren och fri från matrester för att säkerställa en perfekt funktion.

31.



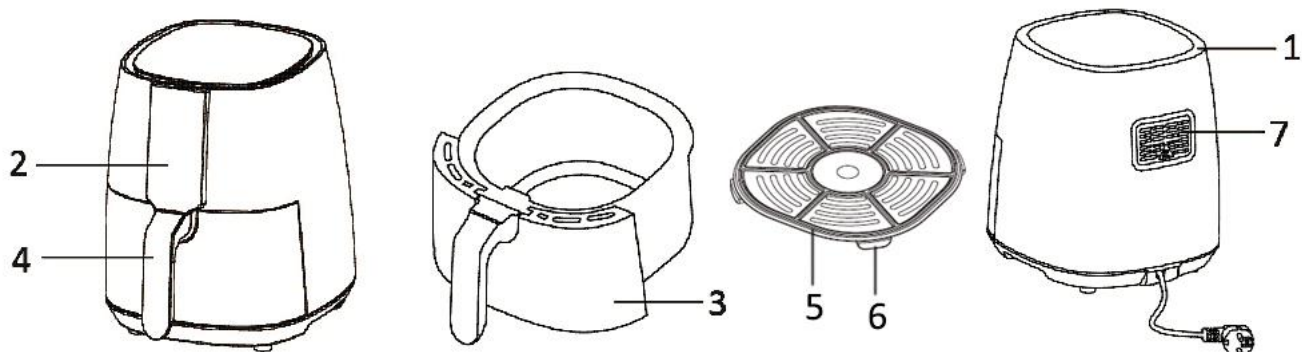
Varning, het yta.

WARNING!! Vidrör inte ytan vid användning.

Temperaturen för åtkomliga ytor kan vara mycket hög när apparaten används.

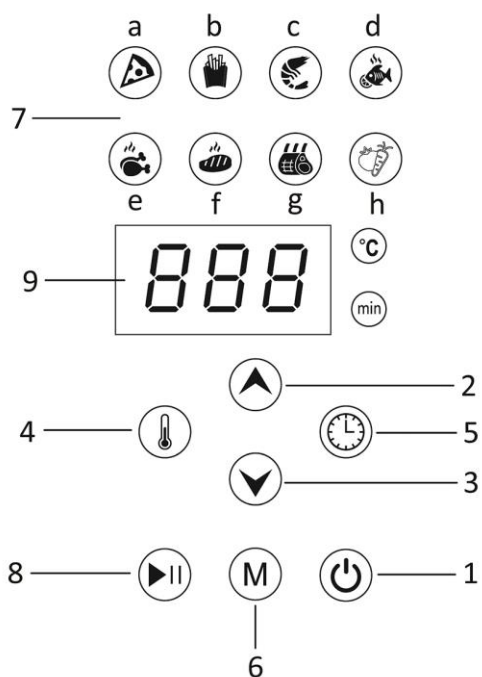
32. Varm luft strömmar ut ur luftventilen på baksidan av apparaten. Var noga med att hålla ett tillräckligt avstånd till material, t.ex. glas, som är känsligt för värme.
33. Om du använder produkter med teflonyta, se till att inga fåglar är i samma rum och att rummet kan stängas igen helt och är väl ventilerat.

BESKRIVNING AV DELAR



1. Luftintag
2. Kontrollpanel och display
3. Korg
4. Korghandtag
5. Stekgaller
6. Silikonfodral
7. Luftutsläpp

Kontrollpanel och display



1. Strömbrytare
2. Inställningsknapp ("+")
3. Inställningsknapp ("-")
4. Temperaturkontroll (tryck på inställningsknappen för att ställa in temperaturen från 80 °C till 200 °C)
5. Timer-kontroll (tryck på inställningsknappen för att ställa in tiden från 1 till 60 minuter)
6. Menyval
7. Meny (listad nedan)
8. Start/pausknapp
9. Timer- och temperaturdisplay

Meny:

- a). pizza, b). pommesfrites, c). räkor, d). fisk,
- e). kycklingklubbor, f). stek, g). revben, h). grönsaker

FÖRE ANVÄNDNING

Läs först igenom alla instruktioner före användning och spara bruksanvisningen för framtida bruk. Anslut endast apparaten till ett jordat eluttag. Ta bort allt förpackningsmaterial före första användning. Rengör korgen och stekgallret. (Se "RENGÖRING OCH UNDERHÅLL"). Torka av apparatens in- och utsida med en mjuk trasa. Se till att de elektriska delarna alltid är torra. **Denna apparat värmer upp maten från alla håll och de flesta ingredienserna behöver ingen olja.**

Innan du använder apparaten första gången kör du den i ungefär 10 min för att bränna av tillverkningsrester. Se till att det är bra ventilation. Apparaten kan avge en del rök och en karakteristisk lukt när du slår på den första gången. Detta är normalt och slutar snart.

Obs! Använd alltid stekgallret med silikonfodralen övertäckta. De hjälper till att stabilisera stekgallret under tillagning.

ANVÄNDNING

1. Placera apparaten på en torr, stabil och värmebeständig yta.
2. Eftersom apparaten blir het vid användning, säkerställ att den inte står för nära några andra föremål.
3. Dra ut korgen ur apparaten via korghandtaget. Placera stekgallret i korgen.
4. Placera ingredienserna i korgen. Skjut in korgen i apparaten. Se till att den är korrekt placerad och helt stängd. Annars kommer inte apparaten att fungera. Försiktighet: Vidrör inte korgen under användning eller en stund efter användning eftersom den blir mycket het. Håll endast korgen i handtagen.
5. Anslut strömkontakten till ett lämpligt eluttag. Maskinen avger ett pip ljud och går in i standby-läge. Tryck på strömbrytaren, den digitala displayen och start/paus-knappen blinkar.
6. Tryck på temperaturkontrollknappen och sedan på inställningsknappen för att ställa in önskad temperatur (5 °C/tryckning). Tryck på timerkontrollknappen och sedan på inställningsknappen för att ställa in önskad tid (1 minut / tryckning). Du kan också trycka länge på inställningsknappen för snabbinställning.
7. Du kan också trycka på menyvalknappen för att direkt välja tillagningsfunktioner i menyn. Om du vill justera tiden och temperaturen något, gör justeringar enligt steg 6. Den valda matikonen i menyn kommer att blinka.
8. Tryck på start/pausknappen; maskinen börjar arbeta. Den digitala displayen visar den inställda temperaturen och tiden. Du kan trycka på start/paus-knappen igen för att göra paus och under pausen kommer den digitala displayen och start/paus-knappen att blinka. Om ingen aktivitet sker under ungefär 1 minut under pausen kommer maskinen automatisk att gå in i standby med 5 pip ljud.
9. När hela tillagningsprocessen är klar blinkar "00 min" på displayen och sedan kommer blåsaren att sluta arbeta inom några sekunder. Du kan också manuellt stänga av maskinen genom att trycka på strömbrytaren. 5 pip ljud avges och maskinen går in i standby-läge.
10. Dra ut korgen från apparaten med hjälp av korghandtaget. Kontrollera om ingredienserna är klara. Skjut in korgen i apparaten igen om de inte är klara. Ställ in temperaturen och timern på ett par minuter till. Tryck sedan på knappen start/paus för att köra maskinen igen. NOTERA: Du kan också dra ut korgen och kontrollera och skaka ingredienserna under tillagningsprocessen. När du skjuter tillbaka korgen kommer maskinen att fortsätta att arbeta med den valda inställningen.
11. Töm korgen, för över maten till en skål eller på en tallrik. För att ta ut stora eller ömtåliga ingredienser, lyft ut dem ur korgen med två tänger.
För att ta bort ingredienser (t.ex. biff, kyckling, kött, ingredienser med överflödiga olja som samlas upp i korgens botten), använd tångerna för att plocka upp en ingrediens i taget.
För att ta bort ingredienser (t.ex. chips, grönsaker eller ingredienser utan överflödiga olja), dra ut korgen och håll ut ingredienserna i en skål/tallrik.

12. När tillagningen är klar är apparaten omedelbart redo för en ny omgång ingredienser om så önskas.

TILLAGNINGSTIPS

1. Optimal mängd för krispiga pommes frites är 600 gram.
2. Lägg till 3 minuter till förberedelse tiden när apparaten är kall eller så kan du förvärma apparaten i ungefär 4 minuter utan några ingredienser inuti.
3. Vissa ingredienser behöver skakas om efter halva tiden under beredningstiden. För att skaka eller vända ingredienserna, dra ut korgen ur apparaten med handtaget och skaka den eller vänd ingredienserna med en gaffel (eller tång). Skjut tillbaka korgen in i apparaten.
4. Du kan också använda fritösen för att värma ingredienser igen. För att värma ingredienser igen, ställ in temperaturen på 150 °C i upp till 10 minuter.
5. Produkter med en skorpa av torra brödsulor kommer att bli krispigare med lite vegetabilisk olja.
6. Placera en bakform eller ett ugnsfat i apparaten om du vill baka en kaka eller quiche eller andra känsliga ingredienser.
7. Bered inte extremt feta ingredienser såsom korvar i apparaten.

VARNING:

1. Sänk inte ner kåpan i vatten och skölj den inte under kranen.
2. Undvik att vätska kommer in i apparaten, för att förebygga elektriska stötar eller kortslutning.
3. Se till att alla ingredienser ligger i korgen för att undvika kontakt med uppvärmningselementen.
4. Täck inte över luftintaget och luftutsläppet när apparaten är igång. Lämna ett fritt utrymme på minst 10 cm runt och ovanför apparaten.
5. Om korgen fylls med olja kan det resultera i brand!
6. Vidrör inte insidan på apparaten när den är i drift.
7. Var försiktig med den heta ångan och luften när du tar ut korgen ur apparaten.
8. Under användning släpps het ånga ut genom luftutsläppet. Håll händer och ansikte på säkert avstånd från ångan och luftutsläppet.
9. Stäng omedelbart av apparaten och dra ut strömkabeln ur eluttaget om mörk rök tränger ut från apparaten. Detta beror på att maten har friterats för länge eller att apparaten gått sönder.

TILLAGNINGSTABELL

Denna tabell visar produktkvantiteterna och nödvändig temperatur och friteringstider. Om instruktionerna på produktförpackningen avviker från värdena som visas i denna tabell ska instruktionerna på förpackningen följas.

Livsmedel	Min-max-mängd (g)	Tid (minuter)	Temperatur (°C)	Obs
Frysta pommes frites	300-750	12-22	200	Vänd om nödvändigt
Hemmagjorda potatiships	300-750	18-22	200	Tillsätt 1/2 msk matlagningsolja, skaka om
Biffstek	100-600	8-18	180	Vänd om nödvändigt
Kyckling kotletter	100-500	10-14	180	Vänd om nödvändigt
Hamburgare	100-600	7-14	180	Tillsätt 1/2 msk matlagningsolja, skaka om
Korv	100-800	13-15	200	Tillsätt 1/2 msk matlagningsolja, skaka om
Kycklingklubbor	100-700	18-22	180	Tillsätt 1/2 msk matlagningsolja, skaka om
Kycklingbröst	100-700	10-15	180	Vänd om nödvändigt
Vårullar	100-800	8-10	200	Vänd om nödvändigt
Grönsaker	100-800	15	180	

RENGÖRING OCH UNDERHÅLL

1. Innan apparaten hanteras eller rengörs, låt den svalna i ungefär 30 minuter. Rengör apparatens alla insidor och utsidor regelbundet.
2. Rengör utsidan och insidan av apparaten med en fuktig trasa och torka med en mjuk, ren trasa.
3. Använd aldrig frätande rengöringsmedel och inte svampar som river.
4. Dra ut korgen för att apparaten ska svalna snabbare. Rengör korgen och stekgallret i varmt vatten med diskmedel och en mjuk svamp. Låt torka väl före användning.

Obs! Korgen och stekgallret kan köras i diskmaskin.

FELSÖKNING

Problem	Möjlig orsak	Lösning
Apparaten fungerar inte.	Apparaten är inte inkopplad.	Sätt i kontakten i ett jordat uttag.
	Du har inte tryckt på strömbrytaren för att slå på maskinen.	Tryck på strömbrytaren för att slå på apparaten.
Ingredienserna är inte tillräckligt tillagade.	Det är alltför mycket mat i korgen.	Lägg mindre mängd mat i korgen. Mindre mängder tillagas jämnare.
	Temperaturen är alltför låg eller tiden är inte tillräcklig.	Öka temperaturen eller tillaga längre.
Ingredienserna tillagas ojämnt.	Olika typer av mat kan behöva skakas halvvägs genom tillagningen.	Skaka maten efter halva tillagningstiden.
Friterade snacks är inte krispiga	Du använder en typ av snacks som skall tillagas i en traditionell fritös.	Använd ugnssnacks eller borsta lätt på lite olja på snacksen för ett krispigare resultat.
Vit rök kommer ut från apparaten.	Du bereder feta ingredienser.	När du friterar feta ingredienser kommer olja att läcka in i korgen. Oljan producerar vit rök och pannan kan hettas upp. Detta påverkar inte tillagningsresultatet eller skadar apparaten.
	Korgen innehåller fortfarande fettrester från tidigare användning.	Rengör korgen ordentligt efter varje användning.
Färska pommesfrites friteras ojämnt.	Du har inte använd korrekt potatistyp.	Använd färsk potatis.
	Du har inte sköljt potatisstavarna ordentligt innan friteringen.	Skölj potatisbitarna ordentligt för att ta bort stärkelsen från utsidan av stavarna.
Färska pommesfrites är inte krispiga.	Krispigheten hos pommesfrites beror på mängden olja och vatten i pommesfriten	Se till att potatisstavarna har torkat ordentligt innan oljan tillsätts.
		Skär potatisstavarna i mindre bitar för ett krispigare resultat.
		Tillsätt lite med olja för ett krispigare resultat.

TEKNISKA DATA

Driftsspänning: 220-240V ~ 50-60Hz

Strömförbrukning: 1450W

GARANTI OCH KUNDTJÄNST

Innan leverans genomgår våra apparater en sträng kvalitetskontroll. Om det trots detta skulle uppstå någon skada på produktionen eller vid transporten, ber vi dig att ta med apparaten tillbaka till inköpsstället. Förutom de i lag fastställda garantianspråken har köparen möjlighet att göra gällande följande anspråk på garanti:

För den köpta apparaten ges 2 års garanti, med början på inköpsdagen. Om du har en defekt produkt, kan du vända dig direkt till inköpsstället.

Brister som uppstår genom felaktig hantering av apparaten och fel som uppstår genom ingrepp och reparationer av tredje man eller montering av främmande delar, omfattas ej av vår garanti. Behåll alltid ditt kvitto då det är din garanti vid eventuell reklamation. Skador som uppstår p.g.a. att instruktionsmanualen inte följs ogiltigförklarar garantin och om detta leder till påföljande skador så kan inte vi hållas ansvariga. Vi kan inte hållas ansvariga för materiella skador eller personskador som orsakas av felaktig användning eller om inte säkerhetsföreskrifterna följs. Skador på tillbehören innebär inte per automatik ersättning av hela apparaten. I sådana fall ska du kontakta vår kundservice. Trasigt glas och trasiga plastdelar innebär alltid en kostnad. Defekter på förbrukningsartiklar eller slitdelar och även skador orsakade av rengöring, underhåll eller byte av tidigare nämnda delar täcks inte av garantin och ska således betalas av ägaren.

MILJÖVÄNLIG KASSERING



Återvinning – EU-direktiv 2012/19/EU

Denna markering indikerar att produkten inte får kastas tillsammans med övrigt hushållsavfall. För att förhindra eventuell skada på miljön eller människors hälsa på grund av okontrollerad avfallshantering, återvinns de på ett ansvarsfullt sätt som främjar en hållbar återanvändning av materiella resurser. För att återlämna den använda enheten, använd retur- och insamlingsystem eller kontakta återförsäljaren där produkten var köpt. De kan ta denna produkt för miljösäker

återvinning.

Emerio B.V.
Zomervaart 1A
2033 DA Haarlem
The Netherlands

Customer service:
T: +31 (0) 23 3034369
E: info@emerio.eu

Kundeninformation:
T: +49 (0) 3222 1097 600
E: info.de@emerio.eu

Klantenservice:
T: +31 (0) 23 3034369
E: info.nl@emerio.eu

VEILIGHEIDSVOORSCHRIFTEN

Voor gebruik dient u alle onderstaande instructies te lezen om letsel en schade te voorkomen en om de beste resultaten met het apparaat te bereiken. Bewaar deze handleiding op een veilige plek. Mocht u dit apparaat aan iemand anders overhandigen, dient u ook de gebruiksaanwijzing te overhandigen.

In geval van schade die wordt veroorzaakt doordat de gebruiker de instructies in deze gebruiksaanwijzing niet in acht heeft genomen, komt de garantie te vervallen. De fabrikant/importeur is niet aansprakelijk voor schade die wordt veroorzaakt door het niet in acht nemen van de gebruiksaanwijzing, door nalatig gebruik of gebruik dat niet in overeenstemming is met de bepalingen van deze gebruiksaanwijzing.

1. Dit apparaat mag worden gebruikt door kinderen vanaf 8 jaar en personen met beperkte fysieke, visuele of mentale vaardigheden, of die een gebrek aan ervaring en kennis hebben, indien ze gepaste instructies hebben gekregen zodat ze het apparaat op een veilige manier kunnen gebruiken, op de hoogte zijn van de gevaren die het gebruik van het apparaat met zich meebrengt en deze gevaren begrijpen.
2. Laat kinderen niet met het apparaat spelen.
3. Laat het reinigen en het onderhoud van het apparaat niet uitvoeren door kinderen tenzij ze ouder zijn dan 8 jaar en onder toezicht staan.
4. Houd het apparaat en snoer buiten het bereik van kinderen jonger dan 8 jaar.
5. Als het snoer is beschadigd, moet het worden vervangen door de fabrikant, zijn klantenservice of gelijksoortig geschoolde personen om gevaar te vermijden.
6. Met het oog op de instructies voor de reiniging van de oppervlakken die in contact kunnen komen met voedsel

of olie, dient u de instructies in de paragraaf " REINIGEN EN ONDERHOUD " van de gebruiksaanwijzing in acht te nemen.

7. Dit apparaat is bedoeld voor huishoudelijk- en vergelijkbaar gebruik zoals: personeelskeuken in winkels, kantoren en andere werkomgevingen; boerderijen; door hotel, motelgasten en andere residentiële omgevingen; bed and breakfast soortgelijke omgevingen.
8. Dit apparaat is niet bestemd voor gebruik door middel van een externe timer of een afzonderlijk op afstand bestuurd systeem.
9. Voordat u de stekker in het stopcontact steekt, dient u te controleren of de stroom en de frequentie overeen komen met de specificaties van het typeplaatje.
10. Sluit het apparaat alleen aan op een geaard stopcontact.
11. Trek de stekker uit het stopcontact als het apparaat niet in gebruik is en voordat u het apparaat reinigt.
12. Als u gebruik maakt van een verlengkabel, dient dit geschikt te zijn voor het stroomverbruik van het apparaat, anders kan oververhitting van de verlengkabel en/of stekker het gevolg zijn. Er is risico op letsel door het struikelen over het verlengsnoer. Wees voorzichtig om gevaarlijke situaties te vermijden.
13. Let op dat de stroomkabel niet over scherpe randen hangt en niet in de buurt komt van hete voorwerpen en open vuur.
14. Dompel het apparaat of de stekker niet onder in water of andere vloeistoffen. Er bestaat levensgevaar als gevolg van een elektrische schok!
15. Om de stekker uit het stopcontact te halen, dient u aan de stekker zelf te trekken. Trek niet aan de stroomkabel.
16. Raak het apparaat niet aan als het in water is gevallen. Trek de stekker uit het stopcontact, schakel het apparaat uit en breng het ter reparatie naar een geautoriseerd servicecenter.

17. Steek de stekker niet in het stopcontact en haal hem er niet uit als u natte handen heeft.
18. Probeer nooit de behuizing van het apparaat te openen en probeer nooit zelf het apparaat te repareren. Dit kan een elektrische schok veroorzaken.
19. Laat het apparaat nooit onbeheerd achter wanneer het in gebruik is.
20. Dit apparaat werd niet ontworpen voor commercieel gebruik.
21. Gebruik het apparaat niet voor andere doeleinden dan het beoogde doel.
22. Draai de kabel niet om het apparaat en buig hem niet.
23. Plaats het apparaat op een stabiele, vlakke ondergrond waar het niet vanaf kan vallen.
24. Voorkom dat het product wordt blootgesteld aan excessieve verontreiniging en vocht.
25. Reinig het product zelf met een licht bevochtigde doek.
26. Gebruik de machine niet zonder toezicht. Als u de werkplek verlaat, dient u de machine altijd uit te schakelen of de stekker uit het stopcontact te trekken (trek aan de stekker zelf, niet aan de kabel).
27. Plaats het apparaat niet tegen een muur of tegen een ander apparaat. Laat minstens 10 cm ruimte aan de achterkant, de zijkanten en boven het apparaat vrij.
28. Tijdens het frituren met hete lucht komt er hete stoom uit de ventilatieopeningen. Houd uw handen en gezicht op een veilige afstand van de stoom en van de ventilatieopeningen. Let bovendien ook op hete stoom en lucht als u de pan uit het apparaat haalt.
29. Trek de stekker direct uit het stopcontact als u ziet dat donkere rook uit het apparaat ontsnapt. Wacht totdat de rook is opgelost en verwijder dan de pan uit het apparaat.
30. Zorg dat het verwarmingselement en de aangrenzende delen voor elk gebruik schoon en vrij van etensresten zijn om een perfecte werking te waarborgen.

31.

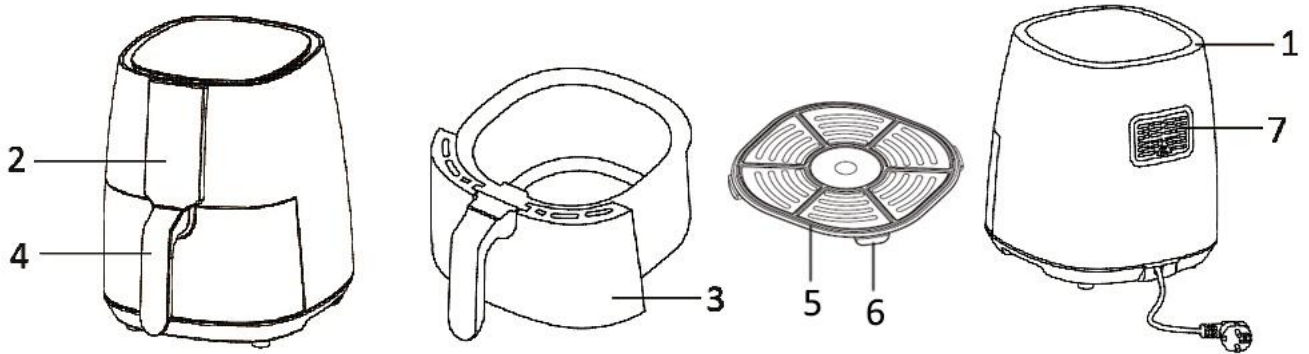


Opgelet, heet oppervlak.

WAARSCHUWING!! Raak het oppervlak a.u.b. niet aan tijdens gebruik. De temperatuur van toegankelijke oppervlakken kan erg hoog worden wanneer het apparaat aan staat.

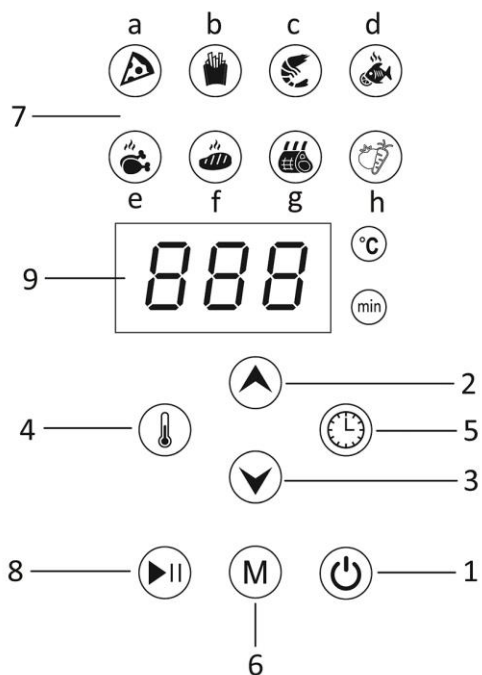
32. Hete lucht komt uit de ventilatie opening aan de achterkant van het apparaat. Zorg voor voldoende ruimte tot materialen die gevoelig zijn voor warmte, zoals glas.
33. Als u producten met een antiaanbaklaag gebruikt, dient u ervoor te zorgen dat zich geen vogels in dezelfde ruimte bevinden en dat de ruimte compleet kan worden gesloten en goed geventileerd wordt.

OMSCHRIJVING ONDERDELEN



1. Luchtinlaat
2. Bedieningspaneel en scherm
3. Mandje
4. Handgreep van mand
5. Bakrooster
6. Silicone klemmen
7. Luchtuitlaat

Bedieningspaneel en scherm



1. Aan/uit-knop
2. Regelknop ("+")
3. Regelknop ("-")
4. Temperatuurregeling (Druk op de regelknop om de temperatuur in te stellen tussen 80°C en 200°C)
5. Tijdregeling (Druk op de regelknop om de tijd in te stellen tussen 1 en 60 minuten)
6. Menukeuze
7. Menu (hieronder weergegeven)
8. Start/pauze knop
9. Weergave van timer en temperatuur

Menu:

- a). pizza, b). friet, c). garnalen, d). vis,
- e). kippenboutjes, f). steak, g). ribbetjes, h). groente

VOOR GEBRUIK

Lees alle aanwijzingen voordat u het apparaat gaat gebruiken en bewaar deze om later nog eens na te kunnen kijken. Steek de stekker alleen in een geaard stopcontact. Voor het eerste gebruik dient u de verpakkingsmaterialen te verwijderen. Reinig de mand en het bakrooster. (Zie "Reinigen en onderhoud") Veeg de binnen- en buitenkant van het apparaat schoon met een zachte doek. Zorg dat de elektrische onderdelen droog blijven. **Dit apparaat verhit voedsel rondom en de meeste ingrediënten hebben geen olie nodig.**

Zet het apparaat de eerste keer ongeveer 10 minuten aan om de achtergebleven restanten van de productie weg te branden. Zorg voor goede ventilatie. Het apparaat kan wat rook en een karakteristieke geur afscheiden als u het voor de eerste keer aanzet. Dit is normaal en zal snel ophouden.

Opmerking: Gebruik het bakrooster altijd met de silicone klemmen bevestigd. Dit zorgt voor een stabiele positie van het bakrooster in de mand tijdens het bakproces.

GEBRUIK

1. Plaats het apparaat op een droog, stabiel en hittebestendig oppervlak.
2. Omdat het apparaat heet wordt tijdens het gebruik, dient u ervoor te zorgen dat het niet te dicht bij andere objecten staat.
3. Trek de mand uit het apparaat met behulp van de handgreep. Plaats het bakrooster in de mand.
4. Doe de ingrediënten in de mand. Schuif de mand in het apparaat. Zorg dat de mand juist wordt aangebracht en het apparaat volledig dicht is. Het apparaat zal anders niet starten. Opgelet: Raak de mand tijdens en kort na gebruik niet aan, ze wordt zeer warm. Houd de pan alleen bij de handgreep vast.
5. Steek de stekker in een geschikt stopcontact. U hoort een geluidssignaal en het apparaat staat in stand-by. Druk op de aan/uit-knop, het digitaal scherm en de start/pauze-knop knipperen.
6. Druk op de temperatuurregelknop en vervolgens op de regelknop om uw gewenste temperatuur in te stellen (5 °C / druk). Druk op de tijdregelknop en vervolgens op de regelknop om de gewenste tijd in te stellen (1 minuut / druk). U kunt tevens lang op de regelknop drukken om de waarde snel in te stellen.
7. U kunt tevens op de menukeuzeknop drukken om direct de kookfuncties in het menu te kiezen. Als u de tijd en temperatuur lichtjes wilt aanpassen, voer de aanpassing uit zoals vermeld in stap 6. Het gekozen voedselpictogram knippert.
8. Druk eenmaal op de start/pauze-knop en het apparaat treedt in werking. Het digitaal scherm geeft de ingestelde temperatuur en tijd weer. U kunt opnieuw op de start/pauze-knop drukken om het kookproces te pauzeren. Het digitaal scherm en de start-stop-knop knipperen wanneer het apparaat in pauze staat. Bij een inactiviteit van ongeveer 1 minuut in pauze, gaat het apparaat automatisch in stand-by en hoort u 5 geluidssignalen.
9. Aan het einde van het kookproces knippert "00 min" op het scherm en stopt de blazer na enkele seconden met werken. U kunt het apparaat tevens handmatig uitschakelen door op de aan/uit-knop te drukken. U hoort 5 geluidssignalen wanneer het apparaat in stand-by staat.
10. Trek de mand uit het apparaat met behulp van de handgreep. Controleer of de levensmiddelen gaar zijn. Als dit niet het geval is, schuif de mand opnieuw in het apparaat. Stel de temperatuur en de tijd op enkele extra minuten in. Druk vervolgens op de start/pauze-knop om het apparaat opnieuw in te schakelen. **OPMERKING:** U kunt de mand tevens uittrekken om de ingrediënten tijdens het bakproces te controleren en te schudden. Wanneer de mand opnieuw in het apparaat is geschoven, wordt de werking met de geselecteerde instelling hervat.
11. Maak het mandje leeg en doe de levensmiddelen in een kom of op een bord. Om grotere of breekbare ingrediënten te verwijderen, haalt u de ingrediënten uit het mandje met behulp van een tang. Om ingrediënten, zoals rundvlees, kip, vlees en andere ingrediënten die olie bevatten, waarvan de overtollige olie in de bodem van de mand wordt opgevangen, uit te halen, gebruik een tang om de ingrediënten één voor één te verwijderen. Om ingrediënten, zoals friet, groente en ingrediënten zonder overtollige olie, uit te halen, trek de mand uit en breng de ingrediënten over naar een schaal.
12. Als de bereidingstijd voorbij is, is het apparaat meteen gereed voor het bereiden van een volgende portie als dit nodig is.

FRITUURTIPS

1. De ideale hoeveelheid voor knapperige friet is 600 gram.
2. Voeg 3 extra minuten aan de bereidingstijd toe wanneer het apparaat koud is of laat het apparaat circa 4 minuten voorverwarmen zonder ingrediënten in het apparaat.
3. Het is nodig om bepaalde ingrediënten aan de helft van de bereidingstijd te schudden. Om de levensmiddelen te schudden of om te draaien, trek de mand via de handgreep uit het apparaat en schud de mand of draai de ingrediënten om met een vork (of tang). Schuif de mand vervolgens opnieuw in het apparaat.
4. U kunt de smart fryer ook gebruiken voor het opnieuw verwarmen van ingrediënten. Voor het opnieuw verwarmen, stel de temperatuur in op 150 °C gedurende 10 minuten.
5. Producten met een korst of paneerlaag worden knapperiger als u deze eerst licht inspuit met wat plantaardige olie.
6. Plaats een bakvorm of een ovenschaal in het apparaat, als u een cake, quiche of ander gevoelig gerecht wilt bakken.
7. Bak geen extreem vette ingrediënten, zoals worst, in het apparaat.

VOORZICHTIG:

1. Dompel het apparaat nooit onder in water en spoel het niet af onder de kraan.
2. Voorkom dat er vloeistof het apparaat binnen kan dringen om elektrische schokken of kortsluiting te voorkomen.
3. Houd alle ingrediënten in het mandje om contact met de verwarmingselementen te voorkomen.
4. Dek de luchtinlaat en -uitlaat niet af als het apparaat in werking is. Laat een vrije ruimte van minstens 10 cm rond en boven het apparaat.
5. Het vullen van de mand met olie kan brandgevaar opleveren!
6. Raak de binnenkant van het apparaat niet aan wanneer in werking.
7. Kijk uit voor de hete lucht en stoom wanneer u het mandje uit het apparaat haalt.
8. Tijdens de bereiding komt er hete stoom uit de luchtuitlaat. Houd uw handen en gezicht op veilige afstand van de stoom en de luchtuitlaat.
9. Schakel het apparaat onmiddellijk uit en haal de stekker uit het stopcontact als donkere rook wordt afgegeven. Dit betekent dat het voedsel te veel is gekookt of het apparaat defect is.

BAKTABEL

Deze tabel toont de hoeveelheden van de etenswaren evenals de vereiste temperatuur en tijden. Wanneer de aanwijzingen op de verpakking van het product van de in deze tabel getoonde waarden verschillen, dan moeten de aanwijzingen op de verpakking gevolgd worden.

Voedsel	Min-max hoeveelheid (g)	Tijd (min)	Temperatuur (°C)	Opmerkingen
Diepvriesfriet	300-750	12-22	200	Draai om, indien nodig
Zelfgemaakte aardappelchips	300-750	18-22	200	Voeg 1/2 el olie toe schud
Biefstuk	100-600	8-18	180	Draai om, indien nodig
Kippendij	100-500	10-14	180	Draai om, indien nodig
Hamburger	100-600	7-14	180	Voeg 1/2 el olie toe schud
Worstenbroodjes	100-800	13-15	200	Voeg 1/2 el olie toe schud
Kippenboutje	100-700	18-22	180	Voeg 1/2 el olie toe schud
Kippenborst	100-700	10-15	180	Draai om, indien nodig
Loempia	100-800	8-10	200	Draai om, indien nodig
Groente	100-800	15	180	

REINIGEN EN ONDERHOUD

1. Voordat u het apparaat aanpakt of gaat reinigen, dient u het ongeveer 30 minuten af te laten koelen. Reinig het apparaat zowel aan de binnen- als buitenkant grondig.
2. Reinig de binnen- en buitenkant van het apparaat met een vochtige doek en droog deze weer met een schone, zachte doek.
3. Gebruik nooit schurende middelen of sponzen.
4. Verwijder de mand om het apparaat sneller te laten afkoelen. Reinig de mand en het bakrooster met warm water, een beetje afwasmiddel en een zachte spons. Veeg grondig droog voor gebruik.

Opmerking: De mand en het bakrooster zijn vaatwasserbestendig.

PROBLEEM OPLOSSINGEN

Probleem	Mogelijke oorza(a)k(en)	Oplossing
Het apparaat werkt niet.	De stekker zit niet in het stopcontact.	Steek de stekker in een geaard stopcontact.
	De aan/uit-knop werd niet ingedrukt om het apparaat in te schakelen.	Druk op de aan/uit-knop om het apparaat in te schakelen.
De ingrediënten zijn niet volledig gebakken.	De hoeveelheid voedsel in de mand is te groot.	Doe minder ingrediënten tegelijk in het mandje. Kleinere hoeveelheden bakken gelijkmatiger.
	De temperatuur is te laag of de ingestelde tijd is te kort.	Verhoog de temperatuur of stel een langere kooktijd in.
De ingrediënten zijn niet gelijkmatig gebakken.	Voor verschillende soorten voedsel kan het noodzakelijk zijn deze halverwege de bereidingstijd om te schudden.	Schud het voedsel om halverwege de bereidingstijd.
De gefrituurde snacks zijn niet knapperig	U heeft een soort snack uitgekozen die alleen op een traditionele manier gefrituurd kan worden.	Gebruik snacks voor de oven of doe een beetje olie op de snacks voor een knapperiger resultaat.
Er komt witte rook uit het apparaat.	U bereidt vette ingrediënten.	Tijdens het bakken van vette levensmiddelen, zal er olie in de mand lekken. De olie produceert witte rook en de pan kan warm worden. Dit heeft geen impact op de bakprestaties en beschadigt het apparaat niet.
	De mand bevat nog vetresten van het vorig gebruik.	Maak de mand schoon na elk gebruik.
Verse frietjes zijn onregelmatig gefrituurd	U hebt de verkeerde soort aardappel gebruikt	Gebruik verse aardappelen.
	U hebt de aardappelfriet voor het bakken onvoldoende gespoeld.	Reinig de aardappelsticks fatsoenlijk om het zetmeel aan de buitenkant van de sticks te verwijderen.
Verse frietjes zijn niet knapperig	De knapperigheid van de frietjes is afhankelijk van de hoeveelheid olie en water in de frietjes.	Zorg ervoor dat de sticks goed afgedroogd zijn alvorens olie toe te voegen.
		Snijd de aardappelsticks smaller voor een knapperiger resultaat.
		Voeg beetje bij beetje meer olie toe voor een knapperiger resultaat.

TECHNISCHE GEGEVENS

Bedrijfsspanning: 220-240V ~ 50-60Hz

Opgenomen vermogen: 1450W

GARANTIE EN KLANTENSERVICE

Vóór de levering worden onze apparaten streng gecontroleerd. Indien het toestel ondanks alle zorg bij de productie of tijdens het transport beschadigd werd, moet u het naar de handelaar terugbrengen. Naast het wettelijke recht op waarborg heeft de klant recht op de volgende garantieclaim:

Wij geven een garantie van 2 jaar op het toestel, te beginnen met de koopdatum. Indien u een defect product heeft, kunt u rechtstreeks terug gaan naar het aankooppunt.

Gebreken die het gevolg zijn van ondeskundig gebruik van het toestel, fouten tijdens ingrepen en reparaties door derden of door de inbouw van vreemde onderdelen, vallen niet onder deze garantie. Bewaar altijd uw aankoopnota, zonder aankoopnota kunt u geen aanspraak maken op enige vorm van garantie. Bij schade veroorzaakt door het niet opvolgen van de gebruiksaanwijzing vervalt het recht op garantie. Voor vervolgschade die hieruit ontstaat kunnen wij niet verantwoordelijk gehouden worden. Voor materiële schade of persoonlijk letsel veroorzaakt door ondeskundig gebruik of het niet opvolgen van de veiligheidsvoorschriften zijn wij niet aansprakelijk. In dergelijke gevallen vervalt iedere aanspraak op garantie. Schade aan accessoires of onderdelen betekend niet dat het gehele apparaat zal worden vervangen. Afgebroken glazen of kunststof onderdelen of accessoires vallen niet onder de garantie en zullen tegen vergoeding vervangen kunnen worden. Defecten aan hulpstukken of aan slijtage onderhevige onderdelen, alsmede reiniging, onderhoud of de vervanging van slijtende delen vallen niet onder de garantie en zullen dus in rekening gebracht worden.

MILIEUVRIENDELIJKE AFVALVERWERKING



Recycling – Europese Richtlijn 2012/19/EU

Deze markering betekent dat dit product niet samen met ander huishoudelijk afval mag worden afgedankt. Om het milieu en de volksgezondheid niet in gevaar te brengen en het hergebruik van grondstoffen te bevorderen, moet dit product op verantwoorde wijze worden afgevoerd.

Lever verbruikte apparatuur a.u.b. in bij de hiervoor bestemde inzamelpunten of bij de winkel waar het product was aangeschaft. Zij zullen dit product accepteren voor milieuvriendelijke afvalverwerking.

Emerio B.V.
Zomervaart 1A
2033 DA Haarlem
The Netherlands

Customer service:
T: +31 (0) 23 3034369
E: info@emerio.eu

Kundeninformation:
T: +49 (0) 3222 1097 600
E: info.de@emerio.eu

Klantenservice:
T: +31 (0) 23 3034369
E: info.nl@emerio.eu

INSTRUKCJE DOTYCZĄCE BEZPIECZEŃSTWA

Aby nie dopuścić do urazów lub uszkodzeń oraz aby maksymalnie wykorzystać możliwości urządzenia, przed rozpoczęciem jego użytkowania należy przeczytać wszystkie poniższe zalecenia. Niniejszą instrukcję należy przechowywać w bezpiecznym miejscu. W przypadku przekazania lub odstąpienia komuś tego urządzenia, do urządzenia należy dołączyć również tę instrukcję.

W przypadku uszkodzenia spowodowanego nieprzestrzeganiem przez użytkownika zaleceń podanych w niniejszej instrukcji gwarancja nie ma zastosowania. Producent/importer nie ponosi odpowiedzialności za szkody spowodowane nieprzestrzeganiem podanych w instrukcji zaleceń, zaniedbaniami oraz użytkowaniem w sposób niezgodny z wymaganiami opisanymi w instrukcji.

1. Pod warunkiem zapewnienia odpowiedniego nadzoru, pouczenia na temat bezpiecznej obsługi i dopilnowania zrozumienia zagrożeń, urządzenie może być używane przez dzieci w wieku od lat 8, osoby o ograniczeniach fizycznych, czuciowych lub psychicznych, a także osoby, którym brak jest doświadczenia lub wiedzy.
2. Dzieci nie powinny bawić się urządzeniem.
3. Dzieci mogą wykonywać czynności związane z czyszczeniem i konserwacją tylko pod warunkiem ukończenia 8 lat i tylko pod nadzorem osoby dorosłej.
4. Urządzenie i jego kabel należy trzymać w miejscu niedostępnym dla dzieci do lat 8.
5. Jeżeli kabel zasilający zostanie uszkodzony, aby uniknąć niebezpiecznych sytuacji, należy go wymienić. Wymiany powinien dokonać producent, przedstawiciel jego serwisu lub inne osoby o podobnych kwalifikacjach.
6. Zalecenia dotyczące czyszczenia powierzchni mających kontakt z żywnością lub olejem podano w instrukcji w części „CZYSZCZENIE I KONSERWACJA”.

7. To urządzenie jest przeznaczone do użytku domowego lub podobnego do domowego: kuchnie personelu sklepów, biura oraz środowiska pracownicze, fermy, klienci w hotelach, motele oraz inne typy środowisk mieszkalnych, pokoje ze śniadaniem.
8. To urządzenie nie jest przystosowane do sterowania za pomocą zewnętrznego minutnika lub oddzielnego pilota.
9. Przed włożeniem wtyczki do kontaktu, należy sprawdzić, czy napięcie i częstotliwość są zgodne ze specyfikacją podaną na tabliczce znamionowej.
10. Urządzenie należy zawsze podłączać do kontaktu ściennego z uziemieniem.
11. Przed czyszczeniem i na czas, gdy urządzenie nie jest używane, należy wyjąć wtyczkę z kontaktu.
12. Jeżeli jest używany przedłużacz, musi on być dostosowany do mocy pobieranej przez urządzenie. W przeciwnym wypadku może dojść do przegrzania się przedłużacza i/lub wtyczki. Istnieje potencjalne ryzyko urazów na skutek potknięcia się o przewód zasilający. Zachowaj ostrożność, by uniknąć niebezpiecznych sytuacji.
13. Należy dopilnować, aby kabel zasilający nie zwisał z ostrych krawędzi. Należy go trzymać z dala od gorących przedmiotów i otwartych płomieni.
14. Urządzenia i wtyczki kabla zasilającego nie wolno zanurzać w wodzie lub innych płynach. Ryzyko utraty życia wskutek porażenia prądem!
15. W celu wyjęcia wtyczki z kontaktu należy ciągnąć za wtyczkę. Nie należy ciągnąć za kabel zasilający.
16. Jeśli urządzenie wpadnie do wody, nie wolno go dotykać. Należy wyjąć wtyczkę z kontaktu, wyłączyć urządzenie i wysłać je do autoryzowanego punktu serwisowego w celu dokonania naprawy.
17. Nie należy mokrą ręką wkładać wtyczki urządzenia do kontaktu lub wyjmować jej z niego.

18. Nigdy nie należy próbować otwierać obudowy urządzenia lub samodzielnie urządzenie naprawić. Mogłoby to doprowadzić do porażeniem prądem.
19. W czasie użytkowania nie należy nigdy zostawiać urządzenia bez nadzoru.
20. Urządzenie nie zostało zaprojektowane do użytku komercyjnego.
21. Urządzenia nie należy używać do celów, do których nie jest ono przeznaczone.
22. Kabla nie należy owijać wokół urządzenia ani zaginać.
23. Urządzenie należy ustawić na stabilnej i płaskiej powierzchni, z której nie będzie ono mogło spaść.
24. Produkt należy chronić przed nadmiernym zabrudzeniem i wilgocią.
25. Produkt należy czyścić lekko zwilżoną ściereczką.
26. Nie należy zostawiać włączonego urządzenia bez nadzoru; opuszczając miejsce pracy użytkownik powinien zawsze wyłączyć urządzenie lub wyjąć wtyczkę z kontaktu (należy ciągnąć za wtyczkę, a nie za przewód).
27. Nie umieszczaj urządzenia przy ścianie lub innym urządzeniu, Pozostaw co najmniej 10 cm wolnego odstępu między tyłem, bokami i górą urządzenia.
28. W trakcie smażenia gorącym powietrzem, z otworów wylotu powietrza wydobywa się gorąca para. Nie zbliżaj rąk ani twarzy do pary i otworów wylotu powietrza. Uważaj na gorącą parę oraz powietrze, gdy wyjmujesz koszyk z urządzenia.
29. Odłącz natychmiast urządzenie z gniazdka, jeśli czarny dym zacznie wydobywać się z urządzenia, Oczekaj, aż dym całkowicie przestanie się wydobywać i wyjmij koszyk z urządzenia.
30. Przed każdym użyciem urządzenia upewnij się, że element grzejący oraz otoczenie są czyste i pozbawione resztek potraw, by zapewnić poprawne działanie.

31.



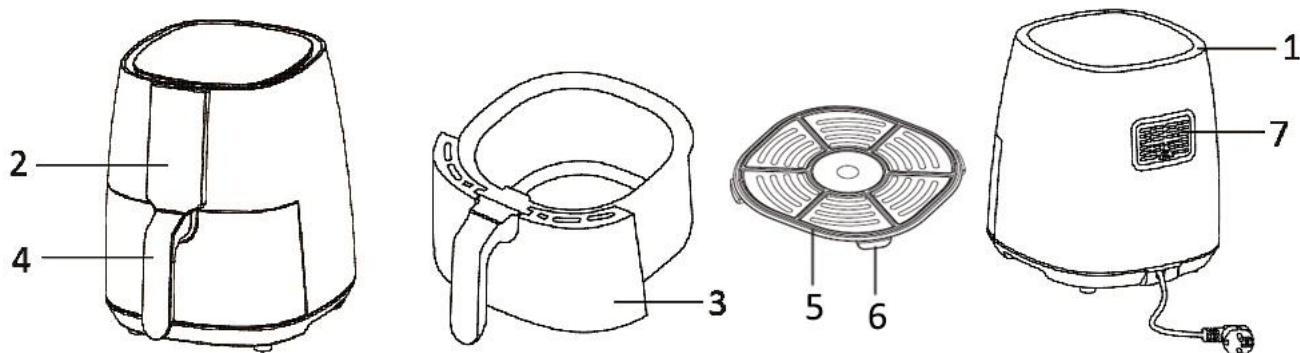
Uwaga, gorąca powierzchnia.

OSTRZEŻENIE!! Nie dotykać powierzchni podczas użytkowania. W czasie pracy urządzenia temperatura dostępnych powierzchni może być wysoka.

32. Przez otwór wentylacyjny z tyłu urządzenia wydostaje się gorące powietrze. Należy koniecznie zapewnić wystarczającą odległość od materiałów wrażliwych na gorąco, takich jak np. szkło.

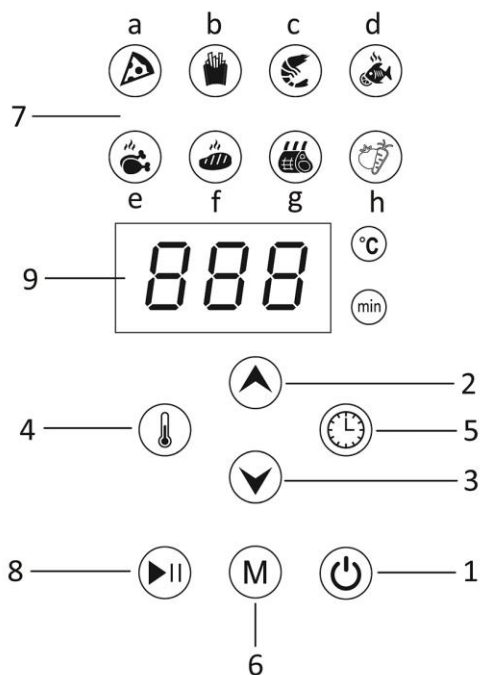
33. W przypadku używania produktów z powierzchniami nieprzywierającymi, należy dopilnować, aby w tym samym pomieszczeniu nie było ptaków, aby pomieszczenie można było całkowicie zamknąć i aby miało ono zapewnioną dobrą wentylację.

OPIS CZĘŚCI



1. Wlot powietrza
2. Panel sterowania i wyświetlacz
3. Kosz
4. Uchwyt kosza
5. Ruszt do smażenia
6. Silikonowa osłona
7. Wylot powietrza

Panel sterowania i wyświetlacz



1. Przycisk Wł./Wył.
2. Przycisk regulacji („+“)
3. Przycisk regulacji („-“)
4. Sterowanie temperaturą (naciśnięcie przycisku regulacji pozwala ustawić temperaturę w zakresie od 80 °C do 200 °C)
5. Sterowanie minutnikiem (naciśnięcie przycisku regulacji pozwala ustawić czas w zakresie od 1 do 60 minut)
6. Wybór menu
7. Menu (opcje podane niżej)

8. Przycisk Start/Pauza
9. Minutnik i wyświetlacz temperatury

Menu:

- a). pizza, b). frytki, c). krewetki, d). ryba,
- e). udka kurczaka, f). stek, g). żeberka, h). warzywa

PRZED UŻYCIEM

Przed użyciem prosimy najpierw przeczytać całą instrukcję. Instrukcję należy zachować na przyszłość. Urządzenie należy podłączać tylko do kontaktu z uziemieniem. Przed pierwszym użyciem należy usunąć wszystkie materiały opakowaniowe. Wyczyścić kosz i ruszt do smażenia. (patrz „CZYSZCZENIE I KONSERWACJA”). Wytrzeć urządzenie od środka i od zewnątrz miękką szmatką. Upewnić się, że podzespoły elektryczne pozostają suche. **To urządzenie podgrzewa produkty spożywcze. Większość składników nie wymaga dodawania oleju.**

Przed użyciem po raz pierwszy włącz urządzenie na około 10 minut, by spalić resztki produkcyjne. Upewnij się, że w pomieszczeniu istnieje odpowiednia wentylacja. Urządzenie może emitować niewielką ilość dymu i charakterystyczny zapach, gdy je włączysz po raz pierwszy. Jest to normalne i wkrótce się skończy.

Uwaga: Rusztu do smażenia należy zawsze używać z zakrytymi silikonowymi osłonami. Elementy te pomagają ustabilizować ruszt do smażenia w koszu w czasie pieczenia.

UŻYTKOWANIE

1. Urządzenie ustawić na suchej i stabilnej powierzchni odpornej na wysokie temperatury.
2. Ponieważ w czasie użytkowania urządzenie nagrzewa się i jest gorące, należy dopilnować, aby nie znajdowało się zbyt blisko innych przedmiotów.
3. Wysunąć z urządzenia kosz – w tym celu pociągnąć za uchwyt kosza. Włożyć ruszt do smażenia do kosza.
4. Włożyć składniki do kosza. Wsunąć kosz do urządzenia. Upewnić się, że są one prawidłowo włożone i całkowicie zamknięte. Inaczej urządzenie nie włączy się. Uwaga: W czasie użytkowania oraz przez krótki czas po użyciu kosza nie wolno dotykać – kosz nagrzewa się i jest bardzo gorący. Kosz należy trzymać wyłącznie za uchwyt.
5. Podłączyć wtyczkę do odpowiedniego kontaktu. Urządzenie wygeneruje pojedynczy sygnał dźwiękowy i przejdzie w tryb gotowości. Nacisnąć przycisk Wł./Wył., wyświetlacz cyfrowy i przycisk Start/Pauza zaczną migać.
6. Nacisnąć przycisk sterowania temperaturą i ustawić żądaną temperaturę przyciskami regulacji (5°C / wciśnięcie). Nacisnąć przycisk sterowania minutnikiem i ustawić żądany czas przyciskami regulacji (1 minuta / wciśnięcie). Aby szybciej zmieniać wartości, przycisk regulacji można też nacisnąć i przytrzymać.
7. Można też nacisnąć przycisk wyboru menu i bezpośrednio wybrać funkcje smażenia w menu. Jeśli użytkownik chce trochę podregulować czas i temperaturę, należy postępować jak w kroku 6. Wybrana ikona produktów w menu będzie migać.
8. Ponowne pojedyncze wciśnięcie przycisku Start/Pauza spowoduje, że urządzenie zacznie pracować. Na wyświetlaczu cyfrowym pojawi się nastawiona temperatura i nastawiony czas. Użytkownik może teraz nacisnąć przycisk Start/Pauza ponownie, aby zrobić przerwę. W trybie pauzy wyświetlacz cyfrowy i przycisk Start/Pauza będą migać. Jeśli w trybie pauzy przez około 1 minutę nie zostaną wykonane żadne działania, urządzenie automatycznie przełączy się w tryb gotowości. Rozlegnie się 5-krotny sygnał dźwiękowy.
9. Po zakończeniu całego cyklu smażenia na wyświetlaczu migać będzie „00 min”, a po kilku sekundach wyłączy się dmuchawa. Urządzenie można też wyłączyć ręcznie – wystarczy nacisnąć przycisk Wł./Wył. Rozlegnie się 5-krotny sygnał dźwiękowy i urządzenie przejdzie w tryb gotowości.
10. Wysunąć z urządzenia kosz – w tym celu pociągnąć za uchwyt kosza. Sprawdzić, czy składniki są gotowe. Jeśli nie, należy po prostu wsunąć kosz z powrotem do urządzenia. Nastawić temperaturę i minutnik na kilka dodatkowych minut. Ponowne wciśnięcie przycisku Start/Pauza wznowi pracę urządzenia. UWAGA:

Kosz można też wysunąć, aby sprawdzić składniki i potrząsnąć nimi podczas procesu pieczenia. Po wsunięciu kosza z powrotem, urządzenie wznowi pracę z wybranymi ustawieniami.

11. Opróżnić kosz, przełożyć produkty spożywcze na talerz lub półmisek. Aby wyjąć duże i delikatne składniki, należy je podnieść z kosza szczypcami.

Aby wyjąć składniki (np. wołowinę, kurczaka, mięso oraz dowolne składniki zawierające olej lub w których nadmiar oleju ze składników zbiera się na dnie kosza), należy użyć szczypiec i wyjmować składniki po jednym.

Aby wyjąć składniki (np. frytki, warzywa lub składniki, w których nie ma nadmiaru oleju), należy wysunąć kosz i przesypać składniki do naczynia.

12. Po zakończeniu smażenia, urządzenie jest natychmiast gotowe do smażenia kolejnej partii składników (w razie potrzeby).

WSKAZÓWKI DOTYCZĄCE SMAŻENIA

1. Optymalna ilość frytek wynosi 600 gramów.
2. Jeśli urządzenie jest zimne, do czasu przygotowywania należy dodać 3 dodatkowe minuty, ewentualnie można też pozwolić urządzeniu rozgrzać się przez ok. 4 minuty bez wkładania do środka jakichkolwiek składników.
3. Niektóre produkty wymagają potrząśnięcia w połowie czasu przygotowywania. Aby potrząsnąć lub przewrócić produkty, należy wysunąć kosz z urządzenia za uchwyt i potrząsnąć nim lub odwrócić je widelcem (lub szczypcami). Następnie z powrotem wsunąć kosz do urządzenia.
4. Frytownicy można też użyć do podgrzewania składników. Aby odgrzać składniki, temperaturę należy nastawić na 150°C, a czas na 10 minut.
5. Produkty ze skórką z posypką z kruchego ciasta będą bardziej chrupiące, jeśli posmaruje się je olejem roślinnym.
6. Jeśli w urządzeniu ma być pieczone ciasto lub quiche lub inne delikatne składniki, należy włożyć je w formie do pieczenia lub w naczyniu żaroodpornym.
7. W urządzeniu nie należy przyrządzać składników wyjątkowo tłustych takich jak kiełbaski.

OSTROŻNIE:

1. Obudowy nie należy zanurzać w wodzie ani wkładać pod bieżącą wodę.
2. Należy unikać dostawania się do urządzenia płynów, ponieważ grozi to zwarcie i porażeniem prądem.
3. Wszystkie składniki muszą znajdować się w koszu, aby nie było niebezpieczeństwa, że dotkną elementu grzewczego.
4. Gdy urządzenie pracuje, nie należy zasłaniać otworów wlotu i wylotu powietrza. Nad górną powierzchnią urządzenia należy zostawić co najmniej 10 cm wolnej przestrzeni.
5. Napełnienie kosza olejem grozi pożarem!
6. W czasie pracy urządzenia nie należy dotykać wewnętrznych części urządzenia.
7. Podczas wyjmowania kosza z urządzenia należy uważać na gorącą parę i gorące powietrze.
8. W czasie pracy przez wylot powietrza bucha gorąca para. Ręce i twarz należy trzymać w bezpiecznej odległości od wylotu pary i gorącego powietrza.
9. W przypadku pojawienia się czarnego dymu, urządzenie należy natychmiast wyłączyć i odłączyć od zasilania ponieważ oznacza to, że albo produkty przypalają się, albo urządzenie jest niesprawne.

TABELA SMAŻENIA

W poniższej tabeli zebrano ilości produktów i potrzebne temperatury i czasy smażenia. Jeśli w instrukcji na opakowaniu produktu podane są inne czasy i wartości, należy wówczas postępować zgodnie z instrukcjami na opakowaniu.

Produkt spożywczy	Min-maks. ilość (g)	Czas (min)	Temperatura (°C)	Uwagi
Frytki mrożone	300-750	12-22	200	W razie potrzeby przekreślić na drugą stronę

Domowe frytki z ziemniaków	300-750	18-22	200	Dodać 1/2 łyżki oleju, potrząsnąć
Befszyk	100-600	8-18	180	W razie potrzeby przekręcić na drugą stronę
Kotlety z kurczaka	100-500	10-14	180	W razie potrzeby przekręcić na drugą stronę
Hamburger	100-600	7-14	180	Dodać 1/2 łyżki oleju, potrząsnąć
Parówki w cieście	100-800	13-15	200	Dodać 1/2 łyżki oleju, potrząsnąć
Nóżka kurczaka	100-700	18-22	180	Dodać 1/2 łyżki oleju, potrząsnąć
Piersi z kurczaka	100-700	10-15	180	W razie potrzeby przekręcić na drugą stronę
Sajgonka	100-800	8-10	200	W razie potrzeby przekręcić na drugą stronę
warzywa	100-800	15	180	

CZYSZCZENIE I KONSERWACJA

1. Przed czyszczeniem urządzenia należy pozwolić, aby ostygło ono przez 30 minut. Urządzenie należy regularnie czyścić od środka i z zewnątrz.
2. Urządzenie należy czyścić od zewnątrz i od środka wilgotną ściereczką. Polerować suchą ściereczką.
3. Nigdy nie należy używać ścierających środków czyszczących lub gąbek.
4. Aby przyspieszyć stygnięcie urządzenia, należy wyjąć kosz. Wyczyścić kosz i ruszt do smażenia – czyścić nierysującą gąbką w gorącej wodzie z płynem do mycia naczyń. Przed użyciem dokładnie wysuszyć.

Uwaga: Kosz i ruszt do smażenia można myć w zmywarce.

ROZWIĄZYWANIE PROBLEMÓW

Problem	Możliwa przyczyna	Rozwiązanie
Urządzenie nie działa.	Urządzenie nie jest podłączone do prądu.	Włożyć wtyczkę do uziemionego gniazdka ściennego.
	Nie wcisnąłeś/wcisnęłaś przycisku wł/wył., by uruchomić urządzenie.	Wciśnij przycisk on/off, aby włączyć urządzenie.
Składniki nie są całkowicie dopieczone.	Zbyt dużo produktów spożywczych w koszu.	Włożyć mniejsze partie składników do kosza. Mniejsze partie składników są przysmażone bardziej równomiernie.
	Zbyt niska temperatura lub zbyt krótki czas.	Zwiększ temperaturę lub czas gotowania.
Składniki są zapieczone nierówno.	Różne rodzaje produktów mogą wymagać potrząśnięcia w połowie procesu pieczenia.	Potrząsnąć produkty w połowie procesu pieczenia.
Smażone przekąski nie są chrupiące	Użyto przekąsek, które trzeba smażyć w tradycyjnej frytownicy.	Użyć przekąsek przeznaczonych do zapiekania w piekarniku lub lekko posmarować je olejem, aby stały się bardziej chrupiące.
Z urządzenia wydostaje się biały dym.	Użytkownik przygotowuje tłuste produkty.	Podczas smażenia tłustych produktów olej będzie wyciekał do koszyka. Olej wytwarza biały dym, garnek może się nagrzać. Nie wpływa to na rezultaty gotowania i nie uszkodzi urządzenia.
	W koszyku znajdują się wciąż resztki tłuszczu z poprzedniego stosowania.	Wyczyść dokładnie koszyk po każdym użyciu.
Świeże frytki są nierówno usmażone	Nie użyto odpowiedniego rodzaju ziemniaka.	Użyć świeżych ziemniaków.

	Nie opłukano dokładnie ziemniaków przed smażeniem.	Dobrze wypłukać sticksy ziemniaczane, aby usunąć skrobię z zewnętrznej warstwy sticksów.
Świeże frytki nie są chrupiące	Chrupkość frytek zależy od ilości oleju i wody we frytkach.	Przed dodaniem oleju należy upewnić się, że sticksy ziemniaczane zostały dobrze wysuszone.
		Aby sticksy ziemniaczane były bardziej chrupiące, można je pokroić na cieńsze paski.
		Aby zwiększyć chrupkość, można dodać troszkę więcej oleju.

DANE TECHNICZNE

Napięcie robocze: 220-240V ~ 50-60Hz

Moc: 1450W

GWARANCJA I SERWIS KONSUMENCKI

Przed dostarczeniem do klienta nasze urządzenia poddawane są rygorystycznej kontroli jakości. Jeśli, pomimo wszelkich starań, podczas produkcji lub transportu pojawi się uszkodzenie, należy zwrócić urządzenie do sprzedawcy. Dodatkowo do stosowanych powszechnie przepisów, nabywca ma prawo do reklamacji na podstawie warunków niniejszej gwarancji:

Dla każdego zakupionego urządzenia zapewniamy 2 lata gwarancji, poczynając od dnia zakupu. Uszkodzony produkt można zwrócić bezpośrednio w punkcie zakupu.

Niniejsza gwarancja nie obejmuje uszkodzeń spowodowanych niewłaściwą obsługą urządzenia, usterek w wyniku modyfikacji i napraw wykonanych przez strony trzecie lub w wyniku użycia nieoryginalnych części. Należy zachować dowód zakupu, który jest jedyną podstawą złożenia roszczenia gwarancyjnego. Producent nie ponosi odpowiedzialności za uszkodzenia powstałe w wyniku nieprzestrzegania instrukcji obsługi. Powoduje to unieważnienie gwarancji. Producent nie ponosi odpowiedzialności za szkody materiałowe ani obrażenia ciała spowodowane niewłaściwą obsługą urządzenia i nieprzestrzeganiem instrukcji obsługi. Uszkodzenie akcesoriów nie oznacza bezpłatnej wymiany całego urządzenia. W takim wypadku prosimy o kontakt z naszym serwisem. Stłuczone elementy szklane lub pęknięte elementy plastikowe są wymieniane za opłatą. Uszkodzenia materiałów eksploatacyjnych lub części podlegających zużyciu, a także czyszczenie, konserwacja i wymiana wspomnianych części nie jest objęta gwarancją i podlega opłacie.

USUWANIE PRZYJAZNE ŚRODOWISKU



Recykling – Dyrektywa europejska nr 2012/19/UE

Ten znak oznacza, że urządzenia nie należy wyrzucać razem z innymi odpadami domowymi. Aby zapobiec możliwym szkodom dla środowiska i zdrowia ludzi spowodowanym niekontrolowaną utylizacją odpadów, poddawaj produkt procesowi recyklingu w celu promowania zrównoważonego

ponownego wykorzystywania zasobów materiałowych. Aby zwrócić zużyte urządzenie, skorzystaj z systemu oddawania zużytych produktów lub skontaktuj się ze sprzedawcą. Sprzedawca może przyjąć produkt w celu przeprowadzenia bezpiecznego dla środowiska recyklingu.

Emerio B.V.
Zomervaart 1A
2033 DA Haarlem
The Netherlands

Customer service:
T: +31 (0) 23 3034369
E: info@emerio.eu

Kundeninformation:
T: +49 (0) 3222 1097 600
E: info.de@emerio.eu

Klantenservice:
T: +31 (0) 23 3034369
E: info.nl@emerio.eu

ИНСТРУКЦИЯ ПО БЕЗОПАСНОСТИ

При использовании электроприборов следует соблюдать основные правила безопасности.

Перед использованием прибора обязательно прочитайте все приведенные ниже инструкции, чтобы избежать травм или повреждений вследствие использования прибора. Обязательно сохраните это руководство в надежном месте. При передаче прибора другому лицу обязательно передайте ему и данное руководство по эксплуатации.

В случае повреждения, вызванного несоблюдением инструкций, данных в руководстве по эксплуатации, гарантия на прибор будет аннулирована. Изготовитель/импортер также не несет ответственности за ущерб, вызванный несоблюдением данного руководства, небрежным использованием прибора или использованием, не соответствующим требованиям настоящего руководства.

1. Данный прибор может использоваться детьми старше 8 лет и взрослыми с ограниченными физическими, сенсорными и психическими возможностями только в случае того, если им были даны инструкции по безопасному пользованию прибором и если они понимают исходящую от него опасность.
2. Детям запрещается играть с прибором.
3. Чистка и обслуживание прибора должны производиться детьми младше 8 лет только под присмотром взрослых.
4. Прибор и кабель к нему необходимо хранить в месте, не доступном для детей младше 8 лет.
5. При повреждении кабеля во избежание несчастного случая его необходимо заменить у производителя, в сервисном центре или у сертифицированного специалиста.

6. Для получения инструкций по очистке поверхностей прибора после соприкосновения с пищей или маслом, смотрите раздел "ЧИСТКА И ТЕХНИЧЕСКОЕ ОБСЛУЖИВАНИЕ" данной инструкции.
7. Данный прибор предназначен для использования в быту и в подобных условиях, таких как: кухонные помещения для персонала в магазинах, офисы и другие рабочие среды; фермерские дома; могут быть использованы клиентами в гостиницах, отелях и других жилых типах подобных помещений.
8. Прибор не следует использовать вместе с внешним таймером или системой дистанционного управления.
9. Прибор может использоваться только в соответствии с информацией, указанной на его этикетке.
10. Всегда подключайте устройство к розетке с заземлением.
11. Всегда отключайте прибор от сети перед хранением или чисткой, а также, если не планируете его использовать длительное время.
12. Если вы используете сетевой фильтр или удлинитель для подключения прибора, он должен соответствовать техническим характеристикам прибора, в противном случае может возникнуть перегрев, который может привести к травмам. Будьте осторожны!
13. Убедитесь, что кабель питания не висит над острыми краями и достаточно удален от подверженных нагреванию объектов и открытого огня.
14. Не погружайте прибор в воду или иные жидкости. Это опасно для жизни.
15. Не отсоединяйте вилку, потянув за кабель питания. Всегда отсоединяйте прибор за вилку.
16. Если прибор упал в воду, не прикасайтесь к нему. Отсоедините вилку от розетки, выключите прибор и отправьте его в авторизованный сервисный центр для проведения диагностики и ремонта.

17. Не подключайте и не отключайте прибор от розетки влажными руками.
18. Не пытайтесь открывать корпус прибора или ремонтировать прибор самостоятельно. Это может привести к поражению электрическим током.
19. Никогда не оставляйте прибор без присмотра во время использования.
20. Прибор не предназначен для коммерческого использования.
21. Не используйте прибор не по прямому назначению.
22. Не наматывайте кабель вокруг прибора и не сгибайте его.
23. Разместите прибор на устойчивой ровной поверхности, с которой он не может упасть.
24. Пожалуйста, избегайте попадания на прибор чрезмерного количества влаги и пыли.
25. Производите чистку прибора слегка влажной тканью.
26. Не оставляйте работающий прибор без присмотра. Если вы вынуждены уйти, всегда отключайте его или вынимайте вилку из розетки (необходимо отключать прибор за вилку, а не за провод).
27. Не помещайте прибор около стены или около другого прибора. Всегда оставляйте не менее 10 см свободного пространства сзади и сбоку от прибора.
28. Во время работы прибора горячий воздух выходит через специальные отверстия. Держите руки и лицо на безопасном расстоянии от него. Также будьте внимательны, вынимая корзину с готовыми блюдами из прибора - из прибора и от корзины также может идти горячий пар.
29. Если вы видите темный дым, выходящий из прибора, немедленно отключите прибор от сети. Дождитесь, пока выброс дыма прекратится, а потом вытащите корзину.
30. Перед использованием прибора убедитесь, что нагревательный элемент и прибор очищен от жира и

остатков пищи. Это обеспечит прибору бесперебойную работу.

31.



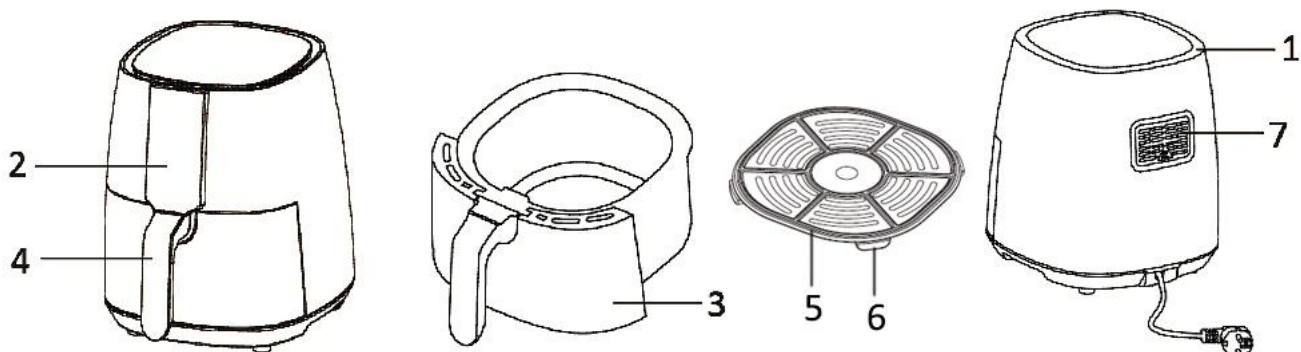
Осторожно, горячая поверхность.

ВНИМАНИЕ! Пожалуйста, не прикасайтесь к поверхности прибора во время использования, так как он может нагреваться.

32. Горячий воздух выходит из вентиляционного отверстия на задней стороне прибора. Убедитесь, что между прибором и стеклами и иными материалами, чувствительными к нагреву, есть достаточное расстояние.

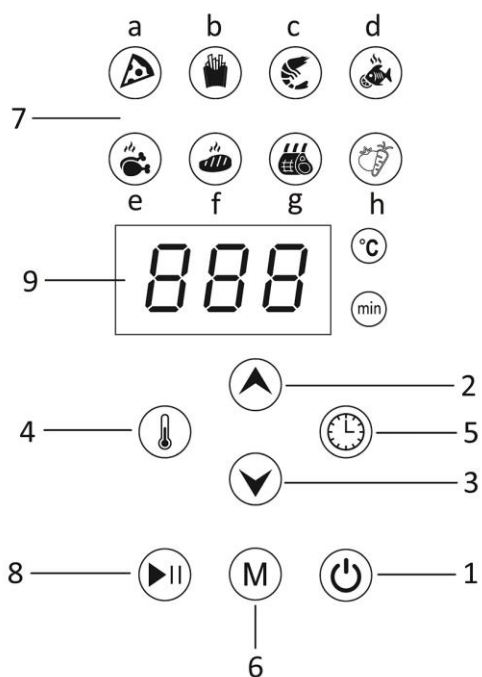
33. Если вы используете приборы с антипригарным покрытием, пожалуйста, убедитесь, что в помещении, где они находятся, нет птиц, а само помещение хорошо проветривается.

Описание прибора



1. Входное отверстие для воздуха
2. Панель управления и дисплей
3. Корзина
4. Ручка корзины
5. Решетка для гриля
6. Силиконовая вставка
7. Выходное отверстие для воздуха

Панель управления и дисплей



1. Кнопка ВКЛ/ВЫКЛ (On/off)
2. Кнопка регулировки ("+")
3. Кнопка регулировки ("-")
4. Выбор температуры (нажмите для того, чтобы отрегулировать температуру в диапазоне 80°C-200°C)
5. Выбор времени (нажмите для того, чтобы отрегулировать время в диапазоне 1-60 минут)
6. Выбор меню
7. Меню (список представлен ниже)
8. Кнопка Старт/Пауза (Start/pause)
9. Дисплей времени и температуры

Меню:

- а). пицца, б). чипсы, с). креветки, d). рыба,
- е). ножки птицы, f). стейк, g). ребрышки, h). овощи

ПЕРЕД ИСПОЛЬЗОВАНИЕМ ПРИБОРА:

Прочитайте данную инструкцию и сохраните ее для дальнейшего использования. Подключайте прибор только к заземленной розетке. Перед первым использованием убедитесь, что все элементы упаковки с прибора убраны. Очистите корзину и решетку для гриля (см. раздел "Чистка и техническое обслуживание"). Протрите прибор внутри и снаружи мягкой тканью. Убедитесь, что электрические части прибора сухие. Прибор будет нагревать продукты со всех сторон, поэтому для приготовления вам не понадобится масло.

Перед первым использованием включите прибор примерно на 10 минут, чтобы выжечь остатки заводской смазки. Убедитесь, что в помещении хорошая вентиляция. При первом включении прибор может испускать дым и характерный запах. Это нормально и скоро пройдет.

Примечание: всегда используйте решетку для гриля с силиконовыми вставками. Они будут поддерживать решетку в корзине в нужном положении во время приготовления.

ИСПОЛЬЗОВАНИЕ ПРИБОРА:

1. Поставьте прибор на сухую ровную поверхность.
2. Поскольку прибор во время работы нагревается, убедитесь, что рядом с ним нет других объектов.
3. Достаньте корзину за ручку. Положите решетку для гриля в корзину.
4. Положите продукты в корзину. Вставьте корзину в прибор. Убедитесь в том, что она встала на свое место. В противном случае прибор не будет работать. Внимание! Не заполняйте корзину маслом или иной жидкостью. Не трогайте корзину во время приготовления и некоторое время после, пока она не остынет. Доставляйте корзину только за ручку.
5. Вставьте вилку кабеля питания прибора в подходящую розетку. Прибор издаст один звуковой сигнал и перейдет в режим ожидания. Нажмите кнопку ВКЛ/ВЫКЛ (On/off), цифровой дисплей и кнопка Старт/Пауза (Start/pause) начнут мигать.
6. Нажмите кнопку выбора температуры, а затем кнопку регулировки для того, чтобы установить желаемую температуру (шаг - 5°C/нажатие). Нажмите кнопку выбора времени, а затем кнопку регулировки для того, чтобы установить желаемое время (шаг - 1 минута/ нажатие). Вы также можете длительно нажимать кнопку регулировки для быстрой установки нужных значений.
7. Вы можете нажать кнопку выбора меню, чтобы напрямую выбрать функцию приготовления. Если Вы хотите отрегулировать время и температуру, выполните настройку, как описано в шаге 6. Значок выбора блюда в меню будет мигать.
8. Однократно нажмите кнопку Старт/Пауза (Start/pause), прибор начинает работать. На цифровом дисплее будет отображаться установленная температура и время. Вы можете снова нажать кнопку Старт/Пауза (Start/pause), чтобы сделать паузу, в состоянии паузы цифровой дисплей и кнопка Старт/Пауза (Start/pause) будут мигать. Если в состоянии паузы с прибором в течение примерно 1 минуты не выполняется никаких действий, он автоматически переходит в режим ожидания, издав 5 звуковых сигналов.
9. По окончании процесса приготовления на дисплее замигает значение «00 мин», и через несколько секунд вентилятор перестанет работать. Вы также можете выключить прибор вручную, нажав кнопку Кнопка ВКЛ/ВЫКЛ (On/off). Переходя в режим ожидания, прибор издаст 5 звуковых сигналов.
10. Вытащите корзину из прибора, используя ручку. Проверьте готовность блюда. Если блюдо еще не готово, просто поместите корзину обратно в прибор, и установите температуру и таймер на несколько дополнительных минут. Затем нажмите кнопку Старт/Пауза (Start/pause), чтобы снова запустить прибор. ПРИМЕЧАНИЕ: Вы также можете вытащить корзину во время приготовления, чтобы проверить и встряхнуть продукты. Когда Вы поместите корзину обратно в прибор, он продолжит работу с выбранной настройкой.
11. Освободите корзину, выложив продукты в миску или на тарелку. Чтобы переложить крупные куски или особо нежные продукты используйте щипцы. Для того, чтобы достать говядину, курицу, мясо

или иные продукты вместе с маслом, оставшимся на дне корзины, пожалуйста, используйте щипцы, чтобы вынуть продукты один за другим.

А чтобы достать чипсы, овощи или иные продукты без лишнего масла, пожалуйста, вытащите корзину и переложите ингредиенты в подходящую посуду.

12. По окончании процесса приготовления прибор сразу же готов к приготовлению следующей порции или блюда при необходимости.

ПОЛЕЗНЫЕ СОВЕТЫ ПО ПРИГОТОВЛЕНИЮ:

1. Оптимальная масса порции для приготовления хрустящей картошки фри составляет 600 грамм.
2. Если прибор до этого не использовался и еще холодный, добавьте 3 минуты к времени приготовления. Если вы хотите прогреть прибор без продуктов, то добавьте 4 минуты.
3. Продукты небольшого размера или мелко нарезанные прожарятся лучше, если их встряхнуть примерно на середине процесса приготовления. Таким образом, они будут поджарена равномерно. Вытащите корзину из прибора за ручку и встряхните ее. Затем вставьте корзину обратно в прибор.
4. Вы также можете использовать прибор для разогрева ранее приготовленных блюд. Чтобы разогреть продукты, установите значение температуры 150°C, а времени – 10 минут.
5. Если вы хотите, чтобы на вашем блюде появилась хрустящая корочка, то рекомендуем сбрызгивать его небольшим количеством растительного масла.
6. Если вы хотите приготовить пирог, пирожные с заварным кремом или блюдо, требующее нежного обращения, установите форму для выпечки в прибор.
7. Не готовьте в приборе очень жирные продукты, например, сосиски.

ВНИМАНИЕ:

1. Не погружайте корпус прибора в воду и не ополаскивайте его под краном.
2. Избегайте попадания жидкости в прибор во избежание короткого замыкания.
3. Готовьте все продукты в корзине, чтобы избежать их соприкосновения с нагревательным элементом.
4. Не закрывайте отверстия для входа и выхода воздуха во время работы прибора. Вокруг прибора и над ним необходимо оставить минимум 10 см свободного пространства.
5. Полное заполнение и переполнение маслом корзины может привести к пожару.
6. Не прикасайтесь к внутренним частям прибора во время его работы.
7. Будьте аккуратны и избегайте контакта с горячим паром, когда вынимаете корзину из прибора.
8. Во время работы прибора горячий пар выходит через выходное отверстие. Держите руки и лицо на безопасном расстоянии от него.
9. Немедленно выключите и отключите прибор от сети, если вы увидите выходящий из него темный
10. дым. Это означает, что ваше блюдо сгорело или прибор сломался.

ТАБЛИЦА ЗНАЧЕНИЙ ДЛЯ ПРИГОТОВЛЕНИЯ:

В этой таблице указано количество продукта и требуемое время для и температура для его приготовления. Если информация на упаковке продукта отличается от информации в данной таблице, следуйте инструкции на упаковке.

Продукт	Мин.-макс. вес (гр)	Время (мин)	Темп. (°C)	Примечание
Замороженные чипсы	300-750	12-22	200	Перевернуть при необходимости
Домашний картоф. чипсы	300-750	18-22	200	Добавить 1/2 ст.масла, перемешать
Бифштекс	100-600	8-18	180	Перевернуть при необходимости
Кусочки курицы	100-500	10-14	180	Перевернуть при необходимости
Гамбургер	100-600	7-14	180	Добавить 1/2 ст.масла, перемешать
Сосиски	100-800	13-15	200	Добавить 1/2 ст.масла, перемешать
Куриные голени	100-700	18-22	180	Добавить 1/2 ст.масла, перемешать
Куриная грудка	100-700	10-15	180	Перевернуть при необходимости
Спринг ролл	100-800	8-10	200	Перевернуть при необходимости
Овощи	100-800	15	180	

ЧИСТКА И ТЕХНИЧЕСКОЕ ОБСЛУЖИВАНИЕ:

1. Перед чисткой прибора или уборкой на хранение дайте ему остыть как минимум 30 минут. Регулярно очищайте внутреннюю и наружную поверхности прибора.
2. Протирайте внешнюю и внутреннюю поверхность прибора влажной тканью и вытирайте мягкой чистой тканью.
3. Не используйте абразивные чистящие средства или губки.
4. Чтобы прибор быстрее остыл, выньте корзину. Очистите корзину и гриль в горячей воде с моющей жидкостью и неабразивной губкой. Хорошо просушите перед использованием.

Примечание: корзина и решетка для гриля подходят для мытья в посудомоечной машине.

ПРОБЛЕМЫ И ИХ РЕШЕНИЯ:

Проблема	Возможная причина	Решение
Прибор не работает	Прибор не подключен к электрической сети.	Вставьте вилку прибора в заземленную розетку.
	Вы не нажали кнопку ВКЛ/ВЫКЛ, чтобы включить прибор	Нажмите кнопку ВКЛ/ВЫКЛ, чтобы включить прибор
Продукты не полностью прожариваются	Вы положили слишком большое количество продуктов в корзину.	Положите меньше продуктов в корзину. Меньшее количество продуктов прожаривается более равномерно.
	Установлена слишком низкая температура или слишком мало времени.	Увеличьте температуру или готовьте дольше.
Продукты прожариваются неравномерно	Некоторые виды продуктов необходимо встряхивать в процессе приготовления.	Встряхивайте продукты в процессе приготовления.
Продукты не получаются хрустящими	Возможно, вы используете продукты, которые нужно жарить в традиционной фритюрнице	Используйте подходящие продукты или добавьте еще некоторое количество масла
Из прибора выходит светлый дым	Вы готовите жирные продукты.	При жарке жирных продуктов масло будет стекать в корзину. Масло производит белый дым, а поверхность может нагреваться. Это не окажет влияния на результат приготовления и не нанесет ущерб устройству.
	В корзине остался жир после предыдущего использования.	Тщательно очищайте корзину после каждого использования.
Свежий картофель фри не прожаривается равномерно	Используется неподходящий картофель.	Используйте свежий картофель.
	Перед жаркой картофельные палочки были плохо промыты.	Хорошо промойте картофель, чтобы убрать излишки крахмала.
Свежий картофель не получается хрустящим	Получение хрустящего картофеля зависит от правильно выбранного количества масла и необходимости просушить картофель перед жаркой.	Убедитесь, что картофель хорошо высушен перед приготовлением.
		Порежьте картофель на более мелкие кусочки.
		Добавьте еще немного масла.

ТЕХНИЧЕСКИЕ ХАРАКТЕРИСТИКИ:

Питание: 220-240В ~ 50-60Гц

Мощность: 1450Вт

ГАРАНТИЯ И ТЕХНИЧЕСКОЕ ОБСЛУЖИВАНИЕ:

Перед поставкой наши приборы подвергаются строгому контролю качества. Если, несмотря на все меры предосторожности, во время производства или транспортировки произошло повреждение, пожалуйста, верните устройство вашему дилеру. В дополнение к правам, установленным Законодательством, покупатель имеет возможность требовать следующей гарантии:

На приобретенное устройство мы предоставляем гарантию 2 год, начиная со дня продажи. Если у вас есть дефектный продукт, вы можете сразу вернуть его в пункт покупки.

Дефекты, возникающие в результате неправильного обращения с устройством, а также неисправности, вызванные вмешательством и ремонтом третьих лиц или установкой неоригинальных деталей, не покрываются настоящей гарантией. Всегда храните квитанцию, без квитанции вы не можете претендовать на какую-либо форму гарантии. В случае ущерба, вызванного несоблюдением инструкции по эксплуатации – гарантия аннулируется, если это приведет к косвенным повреждениям, в этом случае производитель не несет ответственность. Мы также не несем ответственности за материальный ущерб или телесные повреждения, вызванные неправильным использованием или неправильным выполнением инструкции по эксплуатации. Повреждение аксессуаров не означает бесплатную замену всего прибора. В таком случае, пожалуйста, свяжитесь с нашим отделом обслуживания. Разбитое стекло или поломка пластиковых деталей всегда подлежат оплате. Дефекты расходных материалов или деталей, подверженных износу, а также чистка, техническое обслуживание или замена указанных деталей не покрываются гарантией и подлежат оплате.

БЕЗОПАСНАЯ УТИЛИЗАЦИЯ В ОКРУЖАЮЩЕЙ СРЕДЕ:



Переработка отходов - европейская директива 2012/19/EU

Данная маркировка обозначает, что прибор не подлежит утилизации с другими бытовыми отходами. Чтобы предотвратить возможный вред окружающей среде и здоровью людей, утилизируйте бытовые приборы ответственно, что также будет способствовать устойчивому повторному использованию материальных ресурсов. Для утилизации прибора, пожалуйста, используйте системы возврата и сбора электроприборов либо свяжитесь с продавцом. Он

утилизирует прибор правильно.

Emerio B.V.
Zomervaart 1A
2033 DA Haarlem
The Netherlands

Customer service:
T: +31 (0) 23 3034369
E: info@emerio.eu

Kundeninformation:
T: +49 (0) 3222 1097 600
E: info.de@emerio.eu

Klantenservice:
T: +31 (0) 23 3034369
E: info.nl@emerio.eu