

emerio®

PAC-125152



Portable air conditioner (EN)

Mobiles Klimagerät (DE)

Climatiseur portable (FR)

Portabel luftkonditionering (SE)

Mobiele airconditioner (NL)

Klimatyzator przenośny (PL)

Переносной кондиционер (RU)

EAC CE

Content – Inhalt – Teneur - Innehåll – Inhoud – Treść – Содержание

Instruction manual – English	- 2 -
Bedienungsanleitung – German	- 19 -
Mode d'emploi – French	- 37 -
Bruksanvisning – Swedish	- 55 -
Gebruiksaanwijzing – Dutch	- 72 -
Instrukcja obsługi – Polish	- 90 -
Инструкция по эксплуатации – Russian	- 109 -

Thank you very much for purchasing our products. In order to ensure correct operation, please read this manual and instruction carefully before use.

IMPORTANT INSTRUCTIONS

When using electrical appliances, basic precautions should always be followed to reduce the risk of fire, electric shock, burns and other injuries.

1. Read and save these instructions. Attention: pictures in the IM are for reference only.
2. This appliance can be used by children aged from 8 years and above and persons with reduced physical, sensory or mental capabilities or lack of experience and knowledge if they have been given supervision or instruction concerning use of the appliance in a safe way and understand the hazards involved.
3. Children shall not play with the appliance.
4. Cleaning and user maintenance shall not be made by children without supervision.
5. If the supply cord is damaged, it must be replaced by the manufacturer, its service agent or similarly qualified persons in order to avoid a hazard.
6. Indoor use only.
7. Do not use the unit in an area: near to source of fire; where oil is likely to splash; exposed to direct sunlight; where water is likely to splash; near a bath, a laundry, a shower or a swimming pool.
8. Never insert your fingers, rods into the air outlet. Take special care to warn children of these dangers.
9. Keep the unit upward while transport and storage, for the compressor locates properly.
10. Before cleaning or moving the appliance, always turn off and disconnect the power supply.
11. To avoid the possibility of fire disaster, the appliance shall not be covered.

12. All the air-conditioner sockets must comply with the local electric safety requirements. If necessary, please check it for the requirements.
13. The appliance shall be installed in accordance with national wiring regulations.
14. Details of type and rating of fuses: T, 250V AC, 3.15A.
15. Contact authorized service technician for repair or maintenance of this unit.
16. Do not pull, deform or modify the power supply cord, or immerse it in water. Pulling or misuse of the power supply cord can result in damage to the unit and cause electrical shock.
17. Compliance with national gas regulations shall be observed.
18. Servicing shall only be performed as recommended by the equipment manufacturer. Maintenance and repair requiring the assistance of other skilled personnel shall be carried out under the supervision of the person competent in the use of flammable refrigerants.
19. Do not operate or stop the unit by inserting or pulling out power plug, it may cause electric shock or fire due to heat generation.
20. Unplug the unit if strange sounds, smell, or smoke comes from it.
21. Always plug the appliance into an earthed plug socket.
22. In case of any damage, please turn off the switch, disconnect the power supply, and contact an authorized service center for repair.
23. Do not use means to accelerate the defrosting process or to clean, other than those recommended by the manufacturer.
24. The appliance shall be stored in a room without continuously operating ignition sources (for example: open flames, an operating gas appliance or an operating electric heater.)
25. Do not pierce or burn.

26. Be aware that refrigerants may not contain an odour.
27. This appliance contains R290 refrigerant gas. R290 is a refrigerant gas that complies with the European directives on the environment. Do not puncture any part of the refrigerant circuit.
28. If the appliance is installed, operated or stored in an unventilated area, the room must be designed to prevent to the accumulation of refrigerant leaks resulting in a risk of fire or explosion due to ignition of the refrigerant caused by electric heaters, stoves, or other sources of ignition.
29. The appliance must be stored in such a way as to prevent mechanical failure.
30. Individuals who operate or work on the refrigerant circuit must have the appropriate certification issued by an accredited organization that ensures competence in handling refrigerants according to a specific evaluation recognized by associations in the industry.
31. Repairs must be performed based on the recommendation from the manufacturing company. Maintenance and repairs that require the assistance of other qualified personnel must be performed under the supervision of an individual specified in the use of flammable refrigerants.
32. Regarding the instructions for repairing appliances containing R290, please kindly refer to below paragraphs.
33. Always let the appliance rest for at least 2 hours after moving it from one location to another.



Warning: Risk of fire / Flammable materials.



Read instruction manuals.



Operator's manual; operating instructions.



Service indicator; read technical manual.

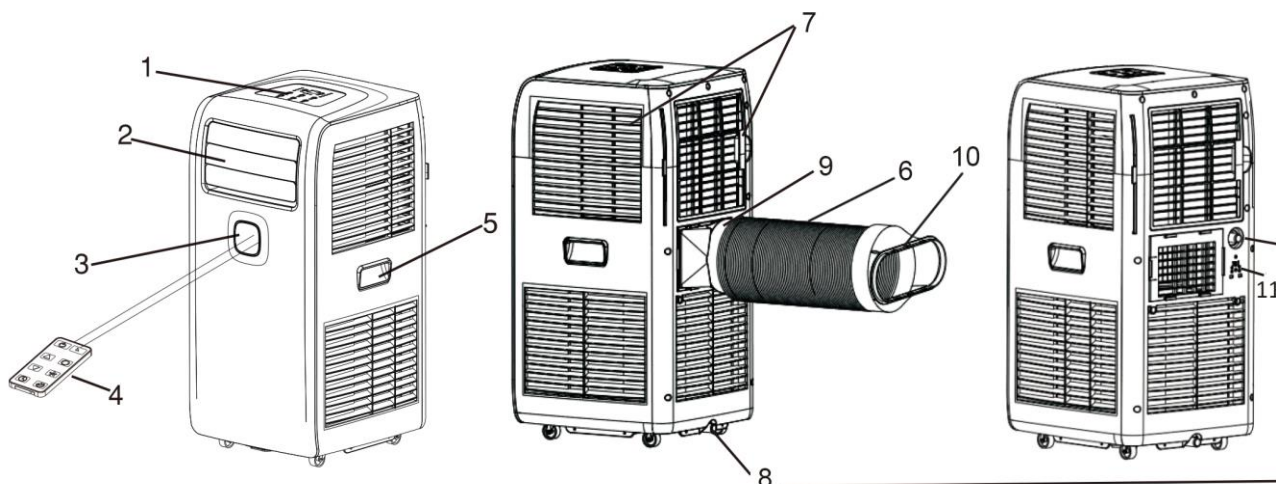
Warning: Keep ventilation openings clear of obstruction.

Warning: The appliance shall be stored in a well-ventilated area where the room size corresponds to the room area as specified for operation.

The required distance around the unit should be at least 30cm.

Appliance shall be installed, operated and stored in a room with a floor area larger than 7.9 m².

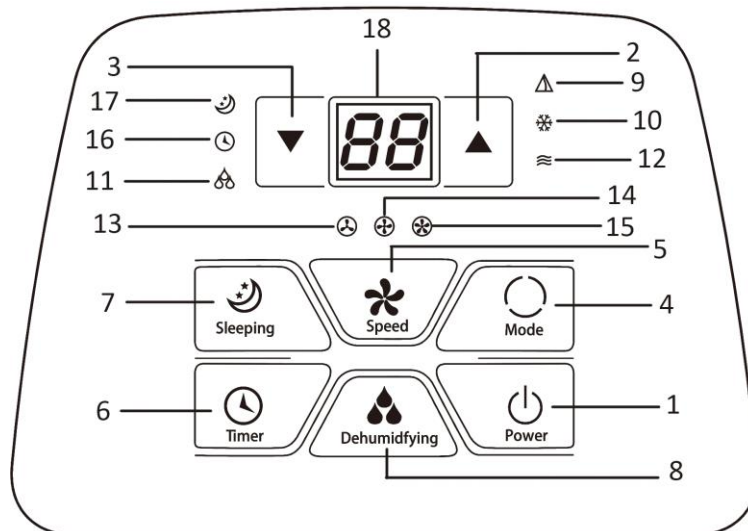
PARTS DESCRIPTION



1. Control panel
2. Air outlet & louvers
3. Signal receptor
4. Remote control
5. Handle
6. Air exhaust hose
7. Air inlet and air filter
8. Drain port (inserted by a stopper)
9. Hose connector
10. Window adaptor
11. Universal socket hole (used to store plug)

Control panel

1. Power button
2. Temperature/timer increasing button
3. Temperature/timer decreasing button
4. Mode button
5. Fan speed button
6. Timer button
7. Sleep button
8. Dehumidifying button
9. Auto mode indicator light
10. Cooling mode indicator light
11. Dehumidifying mode indicator light
12. Fan mode indicator light
13. Low speed indicator light
14. Middle speed indicator light
15. High speed indicator light
16. Timer indicator light
17. Sleep indicator light
18. Digital display



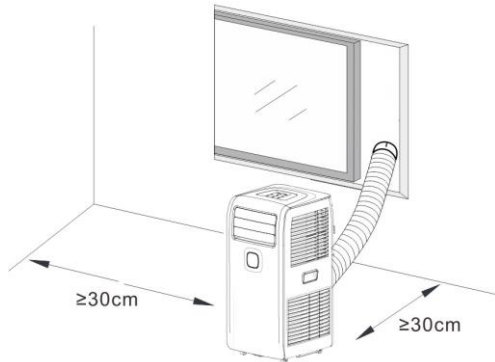
Remote control

This unit has a remote control. One piece of CR2025 battery will be provided with the remote control. Before starting to use the remote control, remove the plastic protection from the battery. If you want to change the battery, please refer to the instruction behind the remote control. If it is not in use for a long time, please take the battery out of the remote control. Keep button cell batteries out of reach of small children.

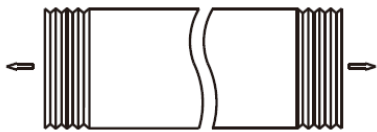
The functions of the buttons in the remote control are the same as the functions of the buttons on the control panel.

INSTALLATION

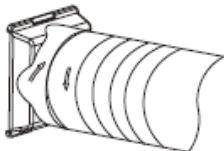
- The unit shall be installed on a flat surface where the air outlet would not be blocked. The required distance around the unit should be at least 30cm.



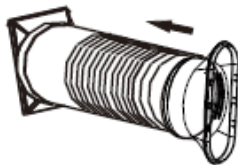
- The unit shall not be installed in a laundry room.
- Extend the air exhaust hose by drawing out the two ends of the hose.



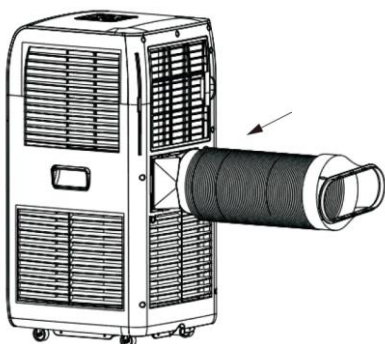
- Screw the air exhaust hose into the hose connector.



- Screw the other end of air exhaust hose into the window adaptor.



- Insert the hose connector into the bracket on the back of the unit.



OPERATION

*Always let the appliance rest for at least 2 hours after moving it from one location to another.

Before use, check up whether the exhaust hose has been mounted properly. Plug in the appliance. open the louvers before turn on the appliance.

1. Power button

Press the power button to turn on the appliance. The room temperature will show on the display. The appliance will start to work.

Press the button again, the appliance will be turned off.

2. Temperature/timer increasing button & temperature/timer decreasing button

Press the button “▲”/“▼” to set your desired room temperature from 15°C to 31°C. The buttons can also be used for timer adjustment during timer setting. The value will be increased/decreased by 1 (°C /hour) for each press.

3. Fan speed button

Press the fan speed button to switch the fan speed between low, middle, high. The corresponding

indicator light “”/ “” / “” will illuminate.

4. Mode button

Press the mode button to choose your desired working mode among AUTO, cooling, and fan. The corresponding indicator light will turn on when the specific mode is selected.

- Auto mode

In AUTO mode, the indoor temperature sensor operates automatically to select the desired operation with cooling or fan: when the room temperature is no less than 24 °C, the unit automatically selects cooling mode, and when the room temperature is less than 24 °C, the unit automatically selects fan mode.

- Cooling mode

When the room temperature is higher than the set temperature, the compressor starts to run.

When the room temperature is lower than the set temperature, the compressor stops and the fan operates at the original set speed.

Note: When the compressor is working, the unit will vibrate slightly. This is normal and harmless.

- Fan mode

When the fan runs at the set speed, the compressor does not run.

The adjustment of temperature in Fan mode is not effective.

5. Dehumidifying

- Press the dehumidifying button to turn on the function. The fan runs at a low speed. The fan speed and temperature cannot be adjusted.
- The compressor will stop after 8 minutes of running and then run again after 6 minutes.
- Press the mode button to switch to AUTO / cooling / fan mode.

6. Timer button

Auto-ON setting

- When the appliance is OFF, press the timer button, the timer indicator light will flash.
- Press the timer increasing or decreasing button to select a desired auto-ON time from 1 to 24 hours. The timer indicator light will flash for several seconds, then illuminate still; The digital display will be off. The timer setting is confirmed.
- You can choose the fan speed and mode at the same time.
- The appliance will automatically turn on once the select time passed.

Auto-OFF setting

- When the appliance is ON, press the timer button, the timer indicator light will flash.
- Press the timer increasing or decreasing button to select a desired auto-OFF time from 1 to 24 hours.

The timer indicator light will flash for several seconds, then illuminate still; The digital display will show the room temperature. The timer setting is confirmed.

- The appliance will automatically turn off once the select time has passed.

To cancel the timer, set the time to 0 hour, or press into the timer setting, and when the digital display flashes, press the timer button again. The timer indicator light will then turn off.

7. Sleep button (only active in cooling mode)

Press the sleep button to activate the sleep mode. The sleep indicator light turns on.

In sleep mode, the fan turns to low speed automatically. The set temperature will increase 1 °C after one hour, and increase 2 °C after two hours. After six hours, the appliance stops running automatically.

NOTE:

- The protective device may trip and stop the appliance in the conditions listed below.

Cooling	Room temperature is over 43 °C.
	Room temperature is below 15 °C.
Dehumidifying	Room temperature is below 15 °C.

- If the appliance runs in cooling or dehumidifying mode with door or window opened for a long time when relative humidity is above 80%, dew may drip down from the air outlet.

Drain water

- 1) Special reminder: There is condensing water recycling hidden in this appliance. The condensing water is partly kept recycling between the condenser and the water tray. When the water level rises to the upper level, the water-full code "E4" will be shown on the digital display to remind of draining water.
- 2) Please cut off the power supply, move the appliance to a suitable place, pull out the stopper in the drain port to drain the water completely. If conditions permitted, you can also connect the drain hose to the drain port for the water draining. This appliance has two drain ports.
- 3) After the draining, insert back the stopper to the drain port, otherwise the appliance may leak and make your room wet.

CLEANING AND MAINTENANCE

- Before cleaning, be sure to disconnect the appliance from any electric supply outlet.
- Do not use gasoline or other chemicals to clean the appliance.
- Do not wash the appliance directly.
- If the appliance is damaged, please contact the dealer or repair shop.

Air Filter

If the air filters become clogged with dust/dirt, they should be cleaned once every two weeks.

- Pull out the air filters by the pull tab.
- Clean the air filters with neutral detergent in lukewarm water (< 40°C) and dry it up in the shade.
- Reinstall the air filter.



Clean the Surface

First clean the surface with a neutral detergent and wet cloth, and then wipe it with a dry cloth.

TROUBLESHOOTING

Troubles	Possible Causes	Solutions
Not cool enough	The doors or windows are not closed.	Make sure all the windows and doors are closed.
	There are heat sources inside the room.	Remove the heat sources if possible.
	The hot air exhaust hose is not connected or blocked.	Connect or clean the hot air exhaust hose.
	Temperature setting is too high.	Reset the temperature.
	Air inlet / outlet is blocked.	Clean the air inlet / outlet.
Noisy	The ground is not level or not flat enough.	Place the appliance on a flat, level surface if possible.
	The sound comes from the flowing of the refrigerant inside the appliance.	It is normal.
Code "E2" on the digital display	Room temperature sensor failed.	Replace the room temperature sensor. Contact authorized service technician for repair.
Code "E3" on the digital display	Evaporator temperature sensor failed.	Replace evaporator temperature sensor. Contact authorized service technician for repair.
Code "E4" on the digital display	Water-full warning	Drain out the water.

TECHNICAL DATA

Below data for your operating reference

Model	PAC-125152
Rated voltage	220-240V
Rated frequency	50Hz
Rated input	950W
Rated current	4.3A
Cooling capacity	9000BTU
Moisture removal (L/H)	1.0
Air flow	300m ³ /h

ERP INFORMATION

	Value
Trademark	Emerio
Model identification	PAC-125152
Sound power (cooling)	64.3dB(A)
Name of refrigerant	R290
Rated power input for cooling (kW)	0.95
Rated energy efficiency ratio	2.6
GWP (kgCO ₂ eq)	3
Energy efficiency class	A
Energy consumption for double ducts appliances (kWh/h)	-
Energy consumption for single duct appliances (kWh/h)	0.96
Power consumption in thermostat-off mode (W)	-
Power consumption in stand-by mode (W)	0.43
Cooling capacity	9000BTU
Refrigerant leakage contributes to climate change. Refrigerant with lower global warming potential (GWP) would contribute less to global warming than a refrigerant with higher GWP, if leaked to the atmosphere. This appliance contains a refrigerant fluid with a GWP equal to 3. This means that if 1 kg of this refrigerant	

fluid would be leaked to the atmosphere, the impact on global warming would be 3 times higher than 1 kg of CO₂, over a period of 100 years. Never try to interfere with the refrigerant circuit yourself or disassemble the product yourself and always ask a professional.

#Energy consumption 0.96 kWh for model PAC-125152 in 60 minutes of use under standard test conditions. The actual energy consumption depends on how the device is used and where it is located.

For any additional information, please contact:

Emerio Holland B.V.

Zomervaart 1A

2033 DA Haarlem

The Netherlands

Customer service:

T: +31(0)23 3034369

E: info.nl@emerio.eu

GUARANTEE AND CUSTOMER SERVICE

Before delivery our devices are subjected to rigorous quality control. If, despite all care, damage has occurred during production or transportation, please return the device to your dealer. In addition to statutory legal rights, the purchaser has an option to claim under the terms of the following guarantee:

For the purchased device we provide 2 years guarantee, commencing from the day of sale. If you have a defective product, you can directly go back to the point of purchase.

Defects which arise due to improper handling of the device and malfunctions due to interventions and repairs by third parties or the fitting of non-original parts are not covered by this guarantee. Always keep your receipt, without the receipt you can't claim any form of warranty. Damage caused by not following the instruction manual, will lead to a void of warranty, if this results in consequential damages then we will not be liable. Neither can we hold responsible for material damage or personal injury caused by improper use if the instruction manual is not properly executed. Damage to accessories does not mean free replacement of the whole appliance. In such case please contact our service department. Broken glass or breakage of plastic parts is always subject to a charge. Defects to consumables or parts subjected to wearing, as well as cleaning, maintenance or the replacement of said parts are not covered by the warranty and are to be paid.

ENVIRONMENT FRIENDLY DISPOSAL



Recycling – European Directive 2012/19/EU

This marking indicates that this product should not be disposed with other household wastes. To prevent possible harm to the environment or human health from uncontrolled waste disposal, recycle it responsibly to promote the sustainable reuse of material resources. To return your used device, please use the return and collection systems or contact the retailer where the product was purchased. They can take this product for environmental safe recycling.



BATTERY MUST BE RECYCLED OR DISPOSED OF PROPERLY. DO NOT OPEN. DO NOT DISPOSE OR IN FIRE OR SHORT CIRCUIT.

Emerio Holland B.V.

Zomervaart 1A

2033 DA Haarlem

The Netherlands

Customer service:

T: +31(0)23 3034369

E: info.nl@emerio.eu

INSTRUCTIONS FOR REPAIRING APPLIANCES CONTAINING R290

1. Servicing

1) Checks to the area

Prior to beginning work on systems containing flammable refrigerants, safety checks are necessary to ensure that the risk of ignition is minimised. For repair to the refrigerating system, the following precautions shall be complied with prior to conducting work on the system.

2) Work procedure

Work shall be undertaken under a controlled procedure so as to minimise the risk of a flammable gas or vapour being present while the work is being performed.

3) General work area

All maintenance staff and others working in the local area shall be instructed on the nature of work being carried out. Work in confined spaces shall be avoided. The area around the workspace shall be sectioned off. Ensure that the conditions within the area have been made safe by control of flammable material.

4) Checking for presence of refrigerant

The area shall be checked with an appropriate refrigerant detector prior to and during work, to ensure the technician is aware of potentially flammable atmospheres. Ensure that the leak detection equipment being used is suitable for use with flammable refrigerants, i.e. non-sparking, adequately sealed or intrinsically safe.

5) Presence of fire extinguisher

If any hot work is to be conducted on the refrigeration equipment or any associated parts, appropriate fire extinguishing equipment shall be available to hand. Have a dry powder or CO₂ fire extinguisher adjacent to the charging area.

6) No ignition sources

No person carrying out work in relation to a refrigeration system which involves exposing any pipe work that contains or has contained flammable refrigerant shall use any sources of ignition in such a manner that it may lead to the risk of fire or explosion. All possible ignition sources, including cigarette smoking, should be kept sufficiently far away from the site of installation, repairing, removing and disposal, during which flammable refrigerant can possibly be released to the surrounding space. Prior to work taking place, the area around the equipment is to be surveyed to make sure that there are no flammable hazards or ignition risks. "No Smoking" signs shall be displayed.

7) Ventilated area

Ensure that the area is in the open or that it is adequately ventilated before breaking into the system or conducting any hot work. A degree of ventilation shall continue during the period that the work is carried out. The ventilation should safely disperse any released refrigerant and preferably expel it externally into the atmosphere.

8) Checks to the refrigeration equipment

Where electrical components are being changed, they shall be fit for the purpose and to the correct specification. At all times the manufacturer's maintenance and service guidelines shall be followed. If in doubt consult the manufacturer's technical department for assistance.

The following checks shall be applied to installations using flammable refrigerants:

- The charge size is in accordance with the room size within which the refrigerant containing parts are installed;
- The ventilation machinery and outlets are operating adequately and are not obstructed;
- If an indirect refrigerating circuit is being used, the secondary circuit shall be checked for the presence of refrigerant;
- Marking to the equipment continues to be visible and legible. Markings and signs that are illegible shall be corrected;

– Refrigeration pipe or components are installed in a position where they are unlikely to be exposed to any substance which may corrode refrigerant containing components, unless the components are constructed of materials which are inherently resistant to being corroded or are suitably protected against being so corroded.

9) Checks to electrical devices

Repair and maintenance to electrical components shall include initial safety checks and component inspection procedures. If a fault exists that could compromise safety, then no electrical supply shall be connected to the circuit until it is satisfactorily dealt with. If the fault cannot be corrected immediately but it is necessary to continue operation, an adequate temporary solution shall be used. This shall be reported to the owner of the equipment so all parties are advised. Initial safety checks shall include:

- That capacitors are discharged: this shall be done in a safe manner to avoid possibility of sparking;
- That there no live electrical components and wiring are exposed while charging, recovering or purging the system;
- That there is continuity of earth bonding.

2. Repairs to sealed components

1) During repairs to sealed components, all electrical supplies shall be disconnected from the equipment being worked upon prior to any removal of sealed covers, etc. If it is absolutely necessary to have an electrical supply to equipment during servicing, then a permanently operating form of leak detection shall be located at the most critical point to warn of a potentially hazardous situation.

2) Particular attention shall be paid to the following to ensure that by working on electrical components, the casing is not altered in such a way that the level of protection is affected. This shall include damage to cables, excessive number of connections, terminals not made to original specification, damage to seals, incorrect fitting of glands, etc.

Ensure that apparatus is mounted securely. Ensure that seals or sealing materials have not degraded such that they no longer serve the purpose of preventing the ingress of flammable atmospheres. Replacement parts shall be in accordance with the manufacturer's specifications.

NOTE: The use of silicon sealant may inhibit the effectiveness of some types of leak detection equipment. Intrinsically safe components do not have to be isolated prior to working on them.

3. Repair to intrinsically safe components

Do not apply any permanent inductive or capacitance loads to the circuit without ensuring that this will not exceed the permissible voltage and current permitted for the equipment in use. Intrinsically safe components are the only types that can be worked on while live in the presence of a flammable atmosphere. The test apparatus shall be at the correct rating. Replace components only with parts specified by the manufacturer. Other parts may result in the ignition of refrigerant in the atmosphere from a leak.

4. Cabling

Check that cabling will not be subject to wear, corrosion, excessive pressure, vibration, sharp edges or any other adverse environmental effects. The check shall also take into account the effects of aging or continual vibration from sources such as compressors or fans.

5. Detection of flammable refrigerants

Under no circumstances shall potential sources of ignition be used in the searching for or detection of refrigerant leaks. A halide torch (or any other detector using a naked flame) shall not be used.

6. Leak detection methods

The following leak detection methods are deemed acceptable for systems containing flammable refrigerants.

Electronic leak detectors shall be used to detect flammable refrigerants, but the sensitivity may not be adequate, or may need re-calibration. (Detection equipment shall be calibrated in a refrigerant-free area.) Ensure that the detector is not a potential source of ignition and is suitable for the refrigerant used. Leak detection equipment shall be set at a percentage of the LFL of the refrigerant and shall be calibrated to the refrigerant employed and the appropriate percentage of gas (25 % maximum) is confirmed. Leak detection fluids are suitable for use with most refrigerants but the use of detergents containing chlorine shall be avoided as the chlorine may react with the refrigerant and corrode the copper pipe-work. If a leak is suspected, all naked flames shall be removed/ extinguished. If a leakage of refrigerant is found which requires brazing, all of the refrigerant shall be recovered from the system, or isolated (by means of shut off valves) in a part of the system remote from the leak. Oxygen free nitrogen (OFN) shall then be purged through the system both before and during the brazing process.

7. Removal and evacuation

When breaking into the refrigerant circuit to make repairs – or for any other purpose – conventional procedures shall be used. However, it is important that best practice is followed since flammability is a consideration. The following procedure shall be adhered to:

- Remove refrigerant;
- Purge the circuit with inert gas;
- Evacuate;
- Purge again with inert gas;
- Open the circuit by cutting or brazing.

The refrigerant charge shall be recovered into the correct recovery cylinders. The system shall be “flushed” with OFN to render the unit safe. This process may need to be repeated several times. Compressed air or oxygen shall not be used for this task. Flushing shall be achieved by breaking the vacuum in the system with OFN and continuing to fill until the working pressure is achieved, then venting to atmosphere, and finally pulling down to a vacuum. This process shall be repeated until no refrigerant is within the system. When the final OFN charge is used, the system shall be vented down to atmospheric pressure to enable work to take place. This operation is absolutely vital if brazing operations on the pipe-work are to take place. Ensure that the outlet for the vacuum pump is not close to any ignition sources and there is ventilation available.

8. Charging procedures

In addition to conventional charging procedures, the following requirements shall be followed.

- Ensure that contamination of different refrigerants does not occur when using charging equipment. Hoses or lines shall be as short as possible to minimise the amount of refrigerant contained in them.
- Cylinders shall be kept upright.
- Ensure that the refrigeration system is earthed prior to charging the system with refrigerant.
- Label the system when charging is complete (if not already).
- Extreme care shall be taken not to overfill the refrigeration system.

Prior to recharging the system it shall be pressure tested with OFN. The system shall be leak tested on completion of charging but prior to commissioning. A follow up leak test shall be carried out prior to leaving the site.

9. Decommissioning

Before carrying out this procedure, it is essential that the technician is completely familiar with the equipment and all its detail. It is recommended good practice that all refrigerants are recovered safely. Prior to the task being carried out, an oil and refrigerant sample shall be taken in case analysis is required prior to re-use of reclaimed refrigerant. It is essential that electrical power is available before the task is commenced.

- a) Become familiar with the equipment and its operation.

- b) Isolate system electrically.
- c) Before attempting the procedure ensure that:
 - Mechanical handling equipment is available, if required for handling refrigerant cylinders;
 - All personal protective equipment is available and being used correctly;
 - The recovery process is supervised at all times by a competent person;
 - Recovery equipment and cylinders conform to the appropriate standards.
- d) Pump down refrigerant system, if possible.
- e) If a vacuum is not possible, make a manifold so that refrigerant can be removed from various parts of the system.
- f) Make sure that cylinder is situated on the scales before recovery takes place.
- g) Start the recovery machine and operate in accordance with manufacturer's instructions.
- h) Do not overfill cylinders. (No more than 80 % volume liquid charge).
- i) Do not exceed the maximum working pressure of the cylinder, even temporarily.
- j) When the cylinders have been filled correctly and the process completed, make sure that the cylinders and the equipment are removed from site promptly and all isolation valves on the equipment are closed off.
- k) Recovered refrigerant shall not be charged into another refrigeration system unless it has been cleaned and checked.

10. Labelling

Equipment shall be labelled stating that it has been de-commissioned and emptied of refrigerant. The label shall be dated and signed. Ensure that there are labels on the equipment stating the equipment contains flammable refrigerant.

11. Recovery

When removing refrigerant from a system, either for servicing or decommissioning, it is recommended good practice that all refrigerants are removed safely. When transferring refrigerant into cylinders, ensure that only appropriate refrigerant recovery cylinders are employed. Ensure that the correct number of cylinders for holding the total system charge is available. All cylinders to be used are designated for the recovered refrigerant and labelled for that refrigerant (i.e. special cylinders for the recovery of refrigerant). Cylinders shall be complete with pressure relief valve and associated shut-off valves in good working order. Empty recovery cylinders are evacuated and, if possible, cooled before recovery occurs. The recovery equipment shall be in good working order with a set of instructions concerning the equipment that is at hand and shall be suitable for the recovery of flammable refrigerants. In addition, a set of calibrated weighing scales shall be available and in good working order. Hoses shall be complete with leak-free disconnect couplings and in good condition. Before using the recovery machine, check that it is in satisfactory working order, has been properly maintained and that any associated electrical components are sealed to prevent ignition in the event of a refrigerant release. Consult manufacturer if in doubt. The recovered refrigerant shall be returned to the refrigerant supplier in the correct recovery cylinder, and the relevant Waste Transfer Note arranged. Do not mix refrigerants in recovery units and especially not in cylinders. If compressors or compressor oils are to be removed, ensure that they have been evacuated to an acceptable level to make certain that flammable refrigerant does not remain within the lubricant. The evacuation process shall be carried out prior to returning the compressor to the suppliers. Only electric heating to the compressor body shall be employed to accelerate this process. When oil is drained from a system, it shall be carried out safely.

Competence of service personnel

General

Special training additional to usual refrigerating equipment repair procedures is required when equipment with flammable refrigerants is affected.

In many countries, this training is carried out by national training organisations that are accredited to teach the relevant national competency standards that may be set in legislation.

The achieved competence should be documented by a certificate.

Training

The training should include the substance of the following:

Information about the explosion potential of flammable refrigerants to show that flammables may be dangerous when handled without care.

Information about potential ignition sources, especially those that are not obvious, such as lighters, light switches, vacuum cleaners, electric heaters.

Information about the different safety concepts:

Unventilated – Safety of the appliance does not depend on ventilation of the housing. Switching off the appliance or opening of the housing has no significant effect on the safety. Nevertheless, it is possible that leaking refrigerant may accumulate inside the enclosure and flammable atmosphere will be released when the enclosure is opened.

Ventilated enclosure – Safety of the appliance depends on ventilation of the housing. Switching off the appliance or opening of the enclosure has a significant effect on the safety. Care should be taken to ensure a sufficient ventilation before.

Ventilated room – Safety of the appliance depends on the ventilation of the room. Switching off the appliance or opening of the housing has no significant effect on the safety. The ventilation of the room shall not be switched off during repair procedures.

Information about the concept of sealed components and sealed enclosures according to IEC 60079-15:2010.

Information about the correct working procedures:

a) Commissioning

- Ensure that the floor area is sufficient for the refrigerant charge or that the ventilation hose is assembled in a correct manner.
- Connect the pipes and carry out a leak test before charging with refrigerant.
- Check safety equipment before putting into service.

b) Maintenance

- Portable equipment shall be repaired outside or in a workshop specially equipped for servicing units with flammable refrigerants.
- Ensure sufficient ventilation at the repair place.
- Be aware that malfunction of the equipment may be caused by refrigerant loss and a refrigerant leak is possible.
- Discharge capacitors in a way that won't cause any spark. The standard procedure to short circuit the capacitor terminals usually creates sparks.
- Reassemble sealed enclosures accurately. If seals are worn, replace them.
- Check safety equipment before putting into service.

c) Repair

- Portable equipment shall be repaired outside or in a workshop specially equipped for servicing units with flammable refrigerants.
- Ensure sufficient ventilation at the repair place.
- Be aware that malfunction of the equipment may be caused by refrigerant loss and a refrigerant leak is possible.
- Discharge capacitors in a way that won't cause any spark.
- When brazing is required, the following procedures shall be carried out in the right order:
 - Remove the refrigerant. If the recovery is not required by national regulations, drain the refrigerant to the outside. Take care that the drained refrigerant will not cause any danger. In doubt, one person should guard the outlet. Take special care that drained refrigerant will not float back into the building.

- Evacuate the refrigerant circuit.
- Purge the refrigerant circuit with nitrogen for 5 min.
- Evacuate again.
- Remove parts to be replaced by cutting, not by flame.
- Purge the braze point with nitrogen during the brazing procedure.
- Carry out a leak test before charging with refrigerant.
- Reassemble sealed enclosures accurately. If seals are worn, replace them.
- Check safety equipment before putting into service.

d) Decommissioning

- If the safety is affected when the equipment is putted out of service, the refrigerant charge shall be removed before decommissioning.
- Ensure sufficient ventilation at the equipment location.
- Be aware that malfunction of the equipment may be caused by refrigerant loss and a refrigerant leak is possible.
- Discharge capacitors in a way that won't cause any spark.
- Remove the refrigerant. If the recovery is not required by national regulations, drain the refrigerant to the outside. Take care that the drained refrigerant will not cause any danger. In doubt, one person should guard the outlet. Take special care that drained refrigerant will not float back into the building.
- Evacuate the refrigerant circuit.
- Purge the refrigerant circuit with nitrogen for 5 min.
- Evacuate again.
- Fill with nitrogen up to atmospheric pressure.
- Put a label on the equipment that the refrigerant is removed.

e) Disposal

- Ensure sufficient ventilation at the working place.
- Remove the refrigerant. If the recovery is not required by national regulations, drain the refrigerant to the outside. Take care that the drained refrigerant will not cause any danger. In doubt, one person should guard the outlet. Take special care that drained refrigerant will not float back into the building.
- Evacuate the refrigerant circuit.
- Purge the refrigerant circuit with nitrogen for 5 min.
- Evacuate again.
- Cut out the compressor and drain the oil.

Transportation, marking and storage for units that employ flammable refrigerants

Transport of equipment containing flammable refrigerants

Attention is drawn to the fact that additional transportation regulations may exist with respect to equipment containing flammable gas. The maximum number of pieces of equipment or the configuration of the equipment, permitted to be transported together will be determined by the applicable transport regulations.

Marking of equipment using signs

Signs for similar appliances used in a work area generally are addressed by local regulations and give the minimum requirements for the provision of safety and/or health signs for a work location.

All required signs are to be maintained and employers should ensure that employees receive suitable and sufficient instruction and training on the meaning of appropriate safety signs and the actions that need to be taken in connection with these signs.

The effectiveness of signs should not be diminished by too many signs being placed together.

Any pictograms used should be as simple as possible and contain only essential details.

Disposal of equipment using flammable refrigerants

See national regulations.

Storage of equipment/appliances

The storage of equipment should be in accordance with the manufacturer's instructions.

Storage of packed (unsold) equipment

Storage package protection should be constructed such that mechanical damage to the equipment inside the package will not cause a leak of the refrigerant charge.

The maximum number of pieces of equipment permitted to be stored together will be determined by local regulations.

Vielen Dank, dass Sie sich für unser Produkt entschieden haben. Lesen Sie diese Bedienungsanleitung vor der Inbetriebnahme des Gerätes sorgfältig durch, um einen ordnungsgemäßen Betrieb sicherzustellen.

WICHTIGE ANWEISUNGEN:

Bei der Verwendung elektrischer Geräte müssen immer grundlegende Sicherheitsvorkehrungen beachtet werden, um die Risiken von Bränden, elektrischen Schlägen, Verbrennungen und anderen Verletzungen zu reduzieren.

1. Lesen und bewahren Sie diese Anleitungen auf. Achtung: Die Bilder in der Bedienungsanleitung dienen nur zur Veranschaulichung.
2. Dieses Gerät kann von Kindern ab 8 Jahren und von Personen mit eingeschränkten physischen, sensorischen oder geistigen Fähigkeiten oder ohne Erfahrung und/oder Wissen benutzt werden, wenn diese durch eine für ihre Sicherheit zuständige Person beaufsichtigt werden oder von ihr Anweisungen erhalten, wie das Gerät sicher zu benutzen ist und sie auf die Risiken aufmerksam gemacht wurden.
3. Kinder dürfen nicht mit dem Gerät spielen.
4. Kinder sollten dieses Gerät nicht unbeaufsichtigt reinigen oder warten.
5. Wenn die Netzanschlussleitung dieses Gerätes beschädigt wird, muss sie durch den Hersteller oder seinen Kundendienst oder eine ähnlich qualifizierte Person ersetzt werden, um Gefährdungen zu vermeiden.
6. Nur in geschlossenen Räumen verwenden.
7. Das Gerät nicht in der Nähe von Zündquellen oder dort verwenden, wo Ölspritzer entstehen können. Vor direktem Sonnenlicht und Spritzwasser schützen und nicht in der Nähe eines Bades, eines Wäscheraums, einer Dusche oder eines Schwimmbads aufstellen.
8. Die Finger nicht in den Luftauslass stecken. Kinder besonders auf diese Gefahren hinweisen.

9. Während des Transports und beim Aufbewahren das Gerät aufrecht abstellen, damit der Kompressor in korrekter Position bleibt.
10. Das Gerät vor dem Reinigen oder Verstellen immer ausschalten und vom Netz trennen.
11. Um Brände zu vermeiden, darf das Gerät nicht zugedeckt werden.
12. Alle für das Klimagerät verwendeten Steckdosen müssen die örtlichen Sicherheitsbestimmungen für Elektrogeräte erfüllen. Ggf. die Voraussetzungen hierfür überprüfen.
13. Bei der Geräteinstallation müssen die nationalen Vorschriften für die Elektroverdrahtung beachtet werden.
14. Angaben zu den Sicherungen: T, 250 VAC, 3,15 A.
15. Im Falle einer Reparatur oder Wartung am Gerät einen Vertragskundendienst kontaktieren.
16. Nicht am Netzkabel ziehen, das Kabel verändern oder in Wasser tauchen. Durch das Ziehen oder Zweckentfremden des Netzkabels können Geräteschäden und Stromschläge hervorgerufen werden.
17. Die nationalen Vorschriften für Gasverbraucher müssen eingehalten werden.
18. Reparaturen dürfen nur gemäß Empfehlungen des Herstellers vorgenommen werden. Reparatur- und Wartungsarbeiten, für die anderes Fachpersonal erforderlich ist, müssen unter Aufsicht einer Person durchgeführt werden, die sich mit dem Einsatz zündfähiger Kühlmittel auskennt.
19. Zum Unterbrechen oder Abstellen des Geräts nicht den Netzstecker ziehen. Das kann Stromschläge oder Brände aufgrund der Wärmefreisetzung hervorrufen.
20. Netzstecker ziehen, falls seltsame Geräusche, Gerüche oder Rauch aus dem Gerät aufsteigen.
21. Zum Anschließen des Geräts immer eine geerdete Steckdose verwenden.
22. Im Falle einer Beschädigung das Gerät ausschalten, vom Netz trennen und zwecks Reparatur einen Vertragskundendienst kontaktieren.

23. Bis auf die vom Hersteller empfohlenen Hilfsmittel keine anderen Mittel einsetzen, um den Abtauvorgang zu beschleunigen oder das Gerät zu reinigen.
24. Das Gerät muss in einem Raum aufbewahrt werden, in dem sich keine dauerhaft funktionierenden Zündquellen befinden (z. B. offene Flammen, ein in Betrieb befindliches gasbetriebenes Gerät oder eine in Betrieb befindliche Elektroheizung).
25. Nicht hineinstechen oder verbrennen.
26. Wir weisen darauf hin, dass Kältemittel unter Umständen geruchlos sind.
27. Dieses Gerät enthält gasförmiges Kältemittel vom Typ R290. R290 ist Kältemittel in Gasform, das den europäischen Umweltrichtlinien entspricht. Der Kältemittelkreislauf darf an keiner Stelle durchstoßen werden.
28. Wird das Gerät in einem unbelüfteten Bereich installiert, betrieben oder aufbewahrt, muss der Raum so konzipiert sein, dass sich kein ausgelaufenes Kältemittel sammeln und zu einer Brand- oder Explosionsgefahr werden kann, falls das Kältemittel durch eine Elektroheizung, Ofen oder eine andere Zündquelle gezündet wird.
29. Das Gerät muss so gelagert werden, dass keine mechanischen Defekte auftreten können.
30. Die Person, die arbeiten am Kältemittelkreislauf ausführt oder diesen betreibt, muss ein entsprechendes Zertifikat vorlegen können, das von einem akkreditierten Institut ausgestellt wurde und nachweist, dass die Person über die Fachkompetenzen zur industriekonformen Handhabung von Kältemitteln verfügt.
31. Bei der Ausführung von Reparaturen müssen die Empfehlungen des Herstellers zugrunde gelegt werden. Wartungs- und Reparaturarbeiten, für die weiteres Fachpersonal erforderlich ist, müssen unter der Aufsicht einer Person durchgeführt werden, die sich mit der Verwendung zündfähiger Kältemittel auskennt.

32. Die folgenden Absätze bei der Reparatur von Geräten mit R290 Kältemittel beachten.
33. Nach dem Transport an einen anderen Ort muss das Gerät immer mindestens 2 Stunden ruhen.



Warnung: Brandgefahr / zündfähiges Material.



Anleitungen lesen.



Bedienungsanleitung; Betriebsanleitung.



Symbol für Reparatur/Wartung; technische Anleitung lesen.

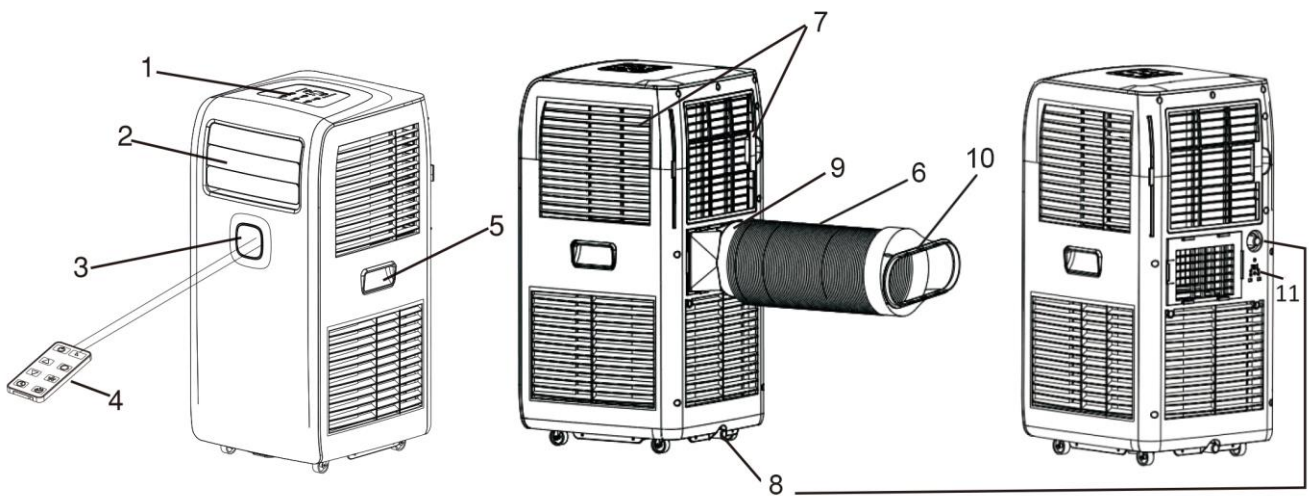
Warnung: Belüftungsöffnungen von Blockaden frei halten.

Warnung: Das Gerät muss in einem gut belüfteten Raum stehen, dessen Größe mit den Raumangaben in den technischen Daten übereinstimmt.

Ein Mindestabstand von 30 cm sollte um das Gerät herum eingehalten werden.

Das Gerät muss in einem Raum installiert, betrieben und aufbewahrt werden, dessen Bodenfläche größer ist als 7.9 m².

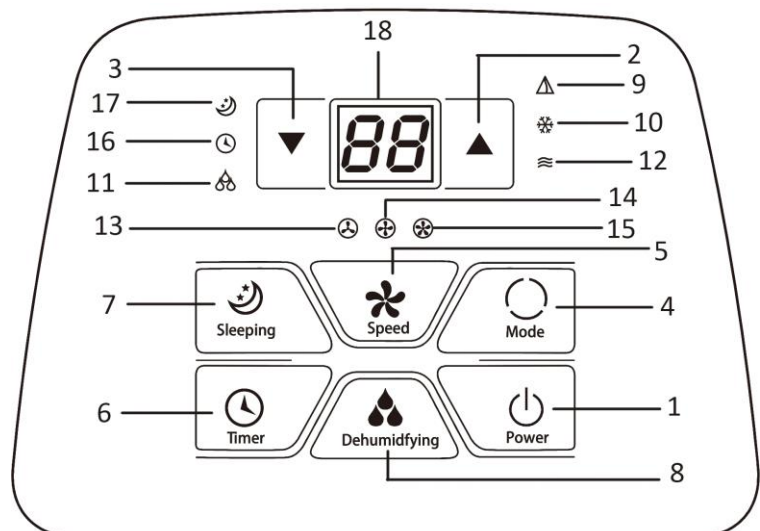
BEZEICHNUNG DER EINZELTEILE



- 1. Bedienfeld
- 2. Luftauslass und Luftleitlamellen
- 3. Signalempfänger
- 4. Fernbedienung
- 5. Griff
- 6. Abluftschlauch
- 7. Lufteinlass und Luftfilter
- 8. Ablauföffnung (mit Stopfen verschlossen)
- 9. Schlauchanschluss
- 10. Fensteradapter
- 11. Universal-Halterungsöffnung (zur Aufbewahrung des Steckers)

Bedienfeld

- 1. Hauptschalter
- 2. Taste Temperatur/Timer +
- 3. Taste Temperatur/Timer -
- 4. Modus-Taste
- 5. Lüfterstufenschalter
- 6. Timer-Taste
- 7. Energiespartaste
- 8. Luftentfeuchter-Taste
- 9. Anzeigeleuchte „Auto“
- 10. Anzeigeleuchte Kühlbetrieb
- 11. Anzeige des Luftentfeuchter-Modus
- 12. Anzeigeleuchte Lüfterbetrieb
- 13. Anzeigeleuchte niedrige Lüfterstufe
- 14. Anzeige der mittleren Geschwindigkeit
- 15. Timer-Anzeigeleuchte
- 16. Anzeigeleuchte Energie sparen
- 17. Digital-Display



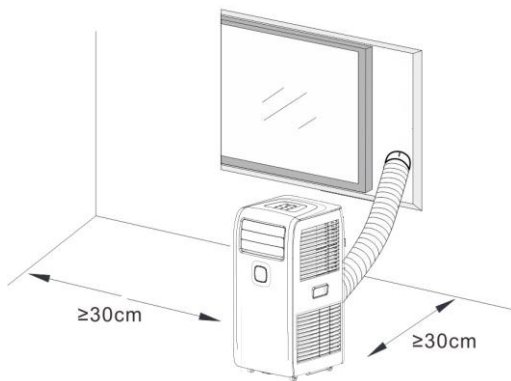
Fernbedienung

Dieses Gerät hat eine Fernbedienung. Für die Fernbedienung wird eine CR2025 Batterie mitgeliefert. Vor der Benutzung der Fernbedienung muss der Kunststoffschutz von der Batterie entfernt werden. Zum Wechseln der Batterie bitte die Anweisungen hinten auf der Fernbedienung befolgen. Wird die Fernbedienung längere Zeit nicht genutzt, nehmen Sie die Batterie heraus. Knopfzellenbatterien sind außer Reichweite von kleinen Kindern zu halten.

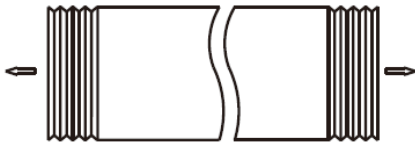
Die Funktionen der Tasten auf der Fernbedienung entsprechen den Funktionen der Tasten auf dem Bedienfeld.

MONTAGE

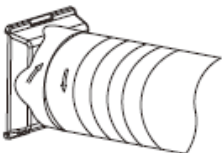
- Das Gerät muss auf einer ebenen Fläche aufgestellt werden, auf der der Luftauslass nicht blockiert wird. Ein Mindestabstand von 30 cm sollte um das Gerät herum eingehalten werden.



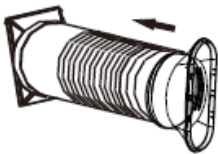
- Das Gerät darf nicht in einem Wäscheraum aufgestellt werden.
- Zum Verlängern des Abluftschlauchs ziehen Sie an beiden Schlauchenden.



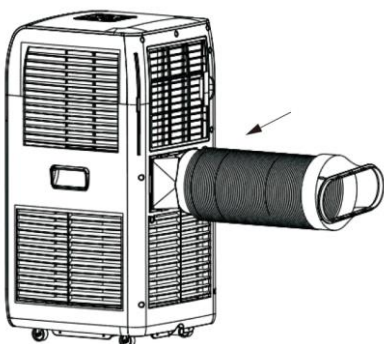
- Schrauben Sie den Abluftschlauch am Schlauchanschluss fest.



- Schrauben Sie das andere Ende des Abluftschlauchs am Fensteradapter fest.



- Führen Sie den Schlauchanschluss in die Halterung auf der Rückseite des Geräts ein.



BETRIEB

*Nach dem Transport an einen anderen Ort muss das Gerät immer mindestens 2 Stunden ruhen.

Vor dem Gebrauch prüfen, ob der Abluftschlauch auch korrekt angebracht ist. Gerät an eine Steckdose anschließen. Vor dem Einschalten des Geräts die Luftleitlamellen öffnen.

1. Hauptschalter

Drücken Sie zum Einschalten den Hauptschalter. Auf dem Display wird die Zimmertemperatur angezeigt. Das Gerät beginnt zu arbeiten.

Die Taste erneut drücken, um das Gerät auszuschalten.

2. Tasten Temperatur/Timer plus & minus

Mit der Taste "▲"/"▼" die gewünschte Raumtemperatur zwischen 15 und 31 °C einstellen. Die Tasten dienen beim Einstellen eines Timers auch zur Zeitverstellung. Mit jedem Tastendruck erhöht/verringert sich der Wert um 1 (°C bzw. Stunde).

3. Ventilatorgeschwindigkeits-Taste

Die Ventilatorgeschwindigkeits-Taste drücken, um zwischen der niedrigen, mittleren und hohen

Ventilatorgeschwindigkeit umzuschalten. Die jeweilige Anzeige „“/„“/„“ leuchtet auf.

4. Modus-Taste

Die Modus-Taste drücken, um den gewünschten Betriebsmodus auszuwählen: AUTO, Kühlen und Ventilator. Die jeweilige Anzeige leuchtet auf, wenn ein bestimmter Modus ausgewählt wurde.

- Auto-Modus

Im AUTO-Modus wird der Innentempersensoren eingesetzt, um die gewünschte Betriebsart beim Kühlen oder Lüften automatisch einzustellen: Wenn die Raumtemperatur mindestens 24 °C beträgt, wählt das Gerät automatisch den Kühlmodus. Liegt die Raumtemperatur bei weniger als 24 °C, wählt das Gerät automatisch den Lüfterbetrieb.

- Kühlbetrieb

Der Kompressor wird zugeschaltet, sobald die Raumtemperatur höher als die Solltemperatur ist.

Wenn die Raumtemperatur niedriger als die Solltemperatur ist, hält der Kompressor an und der Lüfter dreht sich mit der ursprünglichen Solldrehzahl.

Hinweis: Während des Kompressorbetriebs vibriert das Gerät leicht. Dies ist normal und harmlos.

- Lüfterbetrieb

Wenn der Lüfter mit der eingestellten Drehzahl läuft, ist der Kompressor aus.

Die Einstellung der Temperatur hat im Lüfterbetrieb keine Auswirkungen auf die Gerätefunktion.

5. Luftentfeuchtung

- Die Luftentfeuchter-Taste drücken, um diese Funktion zu aktivieren. Der Ventilator läuft mit niedriger Geschwindigkeit. Die Ventilatorgeschwindigkeit und die Temperatur können nicht eingestellt werden.
- Der Kompressor schaltet sich nach 8 Minuten Betrieb aus und schaltet sich nach 6 Minuten wieder ein.
- Modus-Taste drücken, um zwischen AUTO-/Kühlen-/Ventilator-Modus zu wechseln.

6. Timer-Taste

Einschaltautomatik einstellen

- Bei ausgeschaltetem Gerät die Timer-Taste drücken. Die Timer-LED blinkt.
- Zum Einstellen der gewünschten Einschaltzeit (1 bis 24 Stunden) drücken Sie die Timer+/- Taste. Die Timer-Anzeige blinkt einige Sekunden lang und leuchtet anschließend kontinuierlich. Das digitale

Display schaltet sich aus. Die Timer-Einstellung ist bestätigt.

- Die Ventilatorgeschwindigkeit und der Modus können gleichzeitig ausgewählt werden.
- Sobald die vorgewählte Anzahl der Stunden vorüber ist, schaltet sich das Gerät automatisch ein.

Ausschaltautomatik einstellen

- Bei eingeschaltetem Gerät die Timer-Taste drücken. Die Timer-Anzeige blinkt.
- Zum Einstellen der gewünschten Ausschaltzeit (1 bis 24 Stunden) drücken Sie die Timer+/- Taste. Die Timer-Anzeige blinkt einige Sekunden und leuchtet anschließend kontinuierlich. Das digitale Display zeigt die Zimmertemperatur an. Die Timer-Einstellung ist bestätigt.
- Sobald die vorgewählte Anzahl der Stunden vorüber ist, schaltet sich das Gerät automatisch aus.

Um den Timer zu löschen, stellen Sie die Stundenanzahl auf 0 oder rufen Sie die Timer-Einstellung auf. Sobald das Digital-Display blinkt drücken Sie die Timer-Taste erneut. Die Timer-Anzeigeleuchte erlischt anschließend.

7. Energiespartaste (nur im Kühlbetrieb aktiv)

Drücken Sie die Energiespartaste, um den Energiesparmodus zu aktivieren. Die Energiespar-Anzeige leuchtet auf.

Im Energiesparmodus schaltet der Ventilator automatisch auf niedrige Stufe um. Die Solltemperatur erhöht sich nach einer Stunde um 1°C und nach zwei Stunden um 2°C. Nach sechs Stunden stellt das Gerät seinen automatischen Betrieb ein.

HINWEIS:

- Wenn die unten aufgeführten Bedingungen zutreffen, löst unter Umständen die Sicherung aus und das Gerät hält an.

Kühlen	Raumtemperatur übersteigt 43 °C.
	Raumtemperatur liegt unter 15 °C.
Luftentfeuchtung	Raumtemperatur liegt unter 15 °C.

- Falls das Gerät im Kühl- oder Trockenbetrieb läuft und eine Tür oder ein Fenster länger geöffnet ist und die relative Luftfeuchte höher als 80 % ist, kann aus dem Luftauslass Tauwasser tropfen.

Wasser ablaufen lassen

- 1) Besonderer Hinweis: Im Geräteinneren wird Kondenswasser rückgewonnen. Dieser Vorgang ist nicht sichtbar. Das Kondenswasser wird zum Teil zwischen dem Kondensator und der Auffangwanne zurückgewonnen. Steigt der Wasserstand bis zur oberen Füllmarke, wird der Wasserstand-Fehler "E4" im Digital-Display angezeigt, um an das Ablassen des Wassers zu erinnern.
- 2) Ziehen Sie den Netzstecker des Geräts, fahren Sie es an einen geeigneten Ort und ziehen Sie den Stopfen, um das Wasser über den Geräteablauf vollständig ablaufen zu lassen. Falls es die Umstände erlauben, können Sie auch den Ablaufschlauch an die Ablauföffnung anschließen und das Wasser ablaufen lassen. Dieses Gerät besitzt zwei Ablaufanschlüsse.
- 3) Bringen Sie den Stopfen nach dem Entleeren des Geräts wieder an der Ablauföffnung an. Andernfalls läuft Wasser aus dem Gerät aus und der Raum wird nass.

REINIGUNG UND WARTUNG

- Vor dem Reinigen den Gerätestecker aus der Steckdose ziehen.
- Zum Reinigen des Geräts kein Benzin oder sonstige Chemikalien verwenden.
- Das Gerät nicht direkt abwaschen.
- Wenn das Gerät beschädigt ist, bitte den Händler oder eine Werkstatt kontaktieren.

Luftfilter

Die Luftfilter sollten alle zwei Wochen gereinigt werden, um zu verhindern, dass sie durch Staub/Verunreinigungen verstopft werden.

- Luftfilter an der Lasche herausziehen.
- Den Luftfilter in lauwarmem Wasser (< 40 °C) und Neutralreiniger auswaschen und im Schatten trocknen lassen.
- Den Luftfilter wieder montieren.



Flächen reinigen

Die Flächen zunächst mit einem Neutralreiniger und einem feuchten Lappen abwischen, danach mit einem trocknen Tuch abwischen.

PROBLEMBEHEBUNG

Probleme	Mögliche Ursachen	Lösungen
Nicht kühl genug	Die Türen oder Fenster sind nicht geschlossen.	Alle Fenster und Türen schließen.
	Im Raum befinden sich Wärmequellen.	Die Wärmequellen nach Möglichkeit entfernen.
	Der Abluftschlauch ist nicht angeschlossen oder blockiert.	Den Abluftschlauch anschließen bzw. freimachen.
	Die Temperatureinstellung ist zu hoch.	Die Temperatur zurückstellen.
	Air inlet / outlet is blocked.	Clean the air inlet / outlet.
Laut im Betrieb	Der Untergrund ist nicht eben oder nicht flach genug.	Gerät auf nach Möglichkeit auf eine ebene Fläche stellen.
	Das Geräusch kommt von dem strömenden Kältemittel im Gerät.	Das ist normal.
Im Digital-Display wird der Code „E2“ angezeigt	Raumtemperatursensor ist defekt.	Den Raumtemperatursensor austauschen. Zur Reparatur eine Vertragswerkstatt kontaktieren.
Der Code „E3“ wird im Digital-Display angezeigt	Verdampfer-Temperatursensor defekt.	Den Verdampfer-Temperatursensor austauschen. Zur Reparatur eine Vertragswerkstatt kontaktieren.
Im Digital-Display wird der Code „E4“ angezeigt	Warnmeldung „Wasser voll“	Das Wasser ablaufen lassen.

TECHNISCHE DATEN

Für das Gerät gelten folgende Anschlusswerte

Modell	PAC-125152
Nennspannung	220-240V
Nennfrequenz	50Hz
Nenneingangsleistung	950W
Nennstrom	4.3A
Kühlleistung	9000BTU
Trocknungsleistung (l/h)	1.0
Luftvolumen	300m ³ /h

ERP-INFORMATIONEN

	Wert
Handelsmarke	Emerio
Modellbezeichnung	PAC-125152

Schallleistung (Kühlbetrieb)	64.3dB(A)
Bezeichnung des Kältemittels	R290
Nenneingangsleistung im Kühlbetrieb (kW)	0.95
Bemessene Energieeffizienz	2.6
GWP (kgCO ₂ eq)	3
Energieeffizienzklasse	A
Energieverbrauch bei Geräten mit Zweikreisystemen (kWh/h)	-
Energieverbrauch bei Geräten mit Einkreisystemen (kWh/h)	0.96
Leistungsverbrauch bei ausgeschaltetem Thermostat (W)	-
Leistungsverbrauch im Standby (W)	0.43
Kühlleistung	9000BTU
<p>Kältemittellecks tragen zum Klimawandel bei. Ein Kältemittel mit geringerem Treibhauspotenzial (GWP, Global Warming Potential) trägt in geringerem Maße zur globalen Erwärmung bei als ein Kältemittel mit höherem Treibhauspotenzial, wenn es in die Atmosphäre entweicht. Dieses Gerät enthält ein flüssiges Kältemittel mit einem GWP-Wert von 3. Das bedeutet: Wenn 1 kg dieses flüssigen Kältemittels in die Atmosphäre gelangen würde, wäre die Auswirkung auf die globale Erwärmung über einen Zeitraum von 100 Jahren dreimal höher als bei 1 kg CO₂. Versuchen Sie niemals, selbst in den Kältemittelkreislauf einzugreifen oder das Produkt zu zerlegen. Beauftragen Sie immer eine Fachkraft.</p> <p>#Bei 60-minütigem Gebrauch unter Standardtestbedingungen beträgt der Energieverbrauch 0.96 kWh für Modell PAC-125152. Der tatsächliche Energieverbrauch hängt davon ab, wie und wo das Gerät benutzt wird.</p> <p>Um weitere Informationen zu erhalten, kontaktieren Sie bitte: Emerio Holland B.V. Zomervaart 1A 2033 DA Haarlem The Netherlands Kundeninformation: T: +31(0)23 3034369 E: info.nl@emerio.eu</p>	

GARANTIE UND KUNDENSERVICE

Vor der Lieferung werden unsere Geräte einer strengen Qualitätskontrolle unterzogen. Wenn, trotz aller Sorgfalt, während der Produktion oder dem Transport Beschädigungen aufgetreten sind, senden Sie das Gerät zurück an den Händler. Zusätzlich zu den gesetzlichen Rechten hat der Käufer die Option, gemäß den folgenden Bedingungen Garantie zu fordern:

Wir bieten eine 2-Jahres-Garantie für das erworbene Gerät, beginnend am Tag des Verkaufs. Defekte, die aufgrund von unangemessenem Umgang mit dem Gerät entstehen und Störungen aufgrund von Eingriffen und Reparaturen Dritter oder das Montieren von nicht-Originalteilen werden nicht von dieser Garantie abgedeckt. Die Quittung immer aufbewahren, ohne Quittung wird jegliche Garantie ausgeschlossen. Bei Schäden durch Nichteinhalten der Bedienungsanleitung erlischt die Garantie, Wir sind für daraus resultierende Folgeschäden nicht haftbar. Für Materialschäden oder Verletzungen aufgrund falscher Anwendung oder Nichtbefolgen der Sicherheitshinweise sind wir nicht haftbar. Schäden an den Zubehöerteilen bedeutet nicht, dass das gesamte Gerät kostenlos ausgetauscht wird. In diesem Fall kontaktieren Sie unseren Kundendienst. Zerbrochenes Glas oder Kunststoffteile sind immer kostenpflichtig. Schäden an Verbrauchsmaterialien oder Verschleißteilen, sowie Reinigung, Wartung oder Austausch der besagten Teile werden durch die Garantie nicht abgedeckt und sind deshalb kostenpflichtig.

UMWELTGERECHTE ENTSORGUNG



Wiederverwertung – Europäischen Richtlinie 2012/19/EG

Dieses Symbol zeigt an, dass das Produkt nicht zusammen mit Haushaltsabfällen entsorgt werden darf. Um Umwelt- und Gesundheitsschäden durch unkontrollierte Abfallentsorgung zu verhindern,

■ bitte verantwortungsbewusst entsorgen, um die nachhaltige Wiederverwertung von Ressourcen zu fördern. Nutzen Sie zur Rückgabe Ihres Altgeräts bitte die Rückgabe- und Sammelsysteme oder wenden Sie sich an den Händler bei dem Sie dieses Gerät erworben haben. Dieser kann das Gerät umweltschonend entsorgen.



BATTERIEN MÜSSEN WIEDERVERWERTET ODER KORREKT ENTSORGT WERDEN. NICHT ÖFFNEN. NICHT WEGWERFEN, IN FEUER WERFEN ODER KURZSCHLIESSEN.

Emerio Holland B.V.
Zomervaart 1A
2033 DA Haarlem
The Netherlands

Kundeninformation:

T: +31(0)23 3034369
E: info.nl@emerio.eu

ANWEISUNGEN FÜR DIE REPARATUR VON GERÄTEN, DIE R290 ENTHALTEN

1. Reparaturen

1) Prüfung des Bereichs

Vor Arbeiten an Systemen, die zündfähige Kältemittel enthalten, sind Sicherheitskontrollen erforderlich, um für eine Minimierung des Zündrisikos zu sorgen. Zur Reparatur von Kälteanlagen müssen die folgenden Sicherheitsvorkehrungen getroffen werden, bevor Arbeiten an den Anlagen durchgeführt werden.

2) Arbeitsweise

Die Arbeiten müssen unter kontrollierten Bedingungen ausgeführt werden, um das Risiko so gering wie möglich zu halten, dass während der Arbeiten zündfähige Gase oder Dämpfe vorhanden sind.

3) Allgemeines zum Arbeitsbereich

Das gesamte Wartungspersonal sowie andere, die in dem Arbeitsbereich tätig sind, müssen in die Art der auszuführenden Arbeiten eingewiesen werden. Arbeiten bei mangelndem Platzangebot sind zu vermeiden. Die Zone um den Arbeitsbereich herum muss abgesperrt werden. Es ist sicherzustellen, dass die Arbeitsbedingungen innerhalb der Zone durch eine Kontrolle des zündfähigen Materials sicher gemacht wurden.

4) Prüfung auf Kältemittel

Mit einem geeigneten Kältemittel-Detektor muss der Bereich vor Beginn und während der Arbeiten auf das Vorhandensein eines Kältemittels überprüft werden, damit das technische Personal über eine potenziell zündfähige Atmosphäre informiert ist. Das verwendete Lecksuchgerät muss für die Erkennung von zündfähigen Kältemitteln geeignet sein, d. h. es darf keine Funken bilden und es muss angemessen versiegelt bzw. eigensicher sein.

5) Prüfung auf Feuerlöschgeräte

Falls Heiarbeiten an Kälteanlagen oder dazu gehrigen Komponenten durchzufhren sind, muss eine geeignete Feuerlscheinrichtung griffbereit sein. Neben dem Einlaufbereich sollte ein Feuerlschgert mit Trockenpulver oder CO₂ bereit stehen.

6) Keine Zndquellen

Personen, die Arbeiten an einer Klteanlage ausfhren, bei denen Rohrleitungen freigelegt werden, in denen zndfhige Kltemittel geleitet werden oder wurden, drfen Zndquellen keinesfalls auf eine Weise benutzen, die zu einer Brand- oder Explosionsgefahr fhren kann. Alle mglichen Zndquellen wie etwa das Rauchen von Zigaretten sollten in gengend sicherem Abstand von dem Ort der Installation, Reparatur, Verlegung und Entsorgung fern gehalten werden, bei der unter Umstnden zndfhiges Kltemittel an die Umgebung freigesetzt wird. Vor der Ausfhrung von Arbeiten muss der Bereich um die Anlage herum auf gefhrliche Zndquellen oder Brandgefhrdungen untersucht werden. „Rauchen verboten“ Schilder mssen aufgestellt werden.

7) Belfteter Bereich

Der Arbeitsbereich muss sich im Freien befinden oder ausreichend belftet werden, bevor die Anlage geffnet wird oder Heiarbeiten durchgefhrt werden. Fr den gesamten Zeitraum der Arbeitsausfhrung muss ein gewisser Grad an Belftung aufrechterhalten bleiben. Die Belftung muss das freigesetzte Kltemittel sicher verteilen und vorzugsweise nach auen an die Atmosphre befrdern knnen.

8) berprfung der Klteanlage

Sofern Elektrokomponenten auszuwechseln sind, mssen diese fr den jeweiligen Zweck geeignet sein und die richtigen technischen Eigenschaften besitzen. Die Wartungs- und Instandhaltungsvorschriften des Herstellers mssen stets befolgt werden. Im Zweifelsfall bei der technischen Abteilung des Herstellers rckfragen.

Folgende Kontrollen mssen bei Anlagen mit zndfhigen Kltemitteln durchgefhrt werden:

- Die Einfllmenge muss der Gre des Raums entsprechen, in dem die Kltemittel enthaltenden Teile installiert werden;

- Die Belüftungsmaschinen und Auslässe funktionieren einwandfrei und werden nicht blockiert;
- Bei Einsatz eines indirekten Kältemittelkreislaufs muss der sekundäre Kreislauf auf Kältemittelaustritte geprüft werden;
- Die Kennzeichnungen an der Anlage sind deutlich sichtbar und leserlich. Nicht lesbare Kennzeichnungen und Schilder müssen korrigiert werden;
- Kühlrohrleitungen oder Komponenten sind in Positionen installiert, in denen eine Gefährdung durch andere Stoffe, die Kältemittel enthaltende Komponenten angreifen können, unwahrscheinlich ist, es sei denn, die Komponenten bestehen aus Materialien, die stoffbedingt korrosionsresistent sind oder sie werden auf geeignete Weise vor Korrosion geschützt.

9) Prüfung elektrischer Geräte

Zu Reparatur- und Wartungsarbeiten an Elektroteilen gehören auch Sicherheits-Erstprüfungen sowie Arbeitsschritte zur Komponentenprüfung. Liegt ein Defekt vor, der die Sicherheit gefährden könnte, darf solange keine elektrische Versorgung an den Verbraucher angeschlossen werden, bis der Defekt zufriedenstellend behoben wurde. Sollte sich der Defekt nicht unmittelbar beheben lassen, jedoch der Betrieb fortgesetzt werden muss, muss auf eine angemessene Behelfslösung verwendet werden. Diese sollte dem Eigentümer der Anlage mitgeteilt werden, sodass alle Beteiligten informiert sind. Zu den Sicherheits-Erstprüfungen gehören folgende:

- Kondensatoren müssen entladen werden. Dies muss auf sichere Art und Weise geschehen, um eine Funkenbildung zu vermeiden;
- Beim Befüllen, Nachfüllen oder Spülen der Anlage dürfen keine stromführenden Komponenten und Leitungen frei liegen;
- Es muss eine durchgängige Verbindung zur Schutzterde vorhanden sein.

2) Reparaturen an versiegelten Komponenten

1) Bei Reparaturen an versiegelten Komponenten müssen alle elektrischen Versorgungseinrichtungen von der Anlage getrennt werden, an der Arbeiten ausgeführt werden, bevor versiegelte Schutzvorrichtungen o. ä. entfernt werden. Falls eine elektrische Versorgung der Anlage während der Wartungsarbeiten unvermeidlich ist, muss eine permanent arbeitende Leckerkennung an den kritischsten Stellen vorgesehen werden, um vor eventuellen Gefahrensituationen zu warnen.

2) Besondere Aufmerksamkeit sollte den nachfolgenden Punkten geschenkt werden, um sicher zu stellen, dass durch Arbeiten an den elektrischen Komponenten nicht die Umhausung soweit verändert wird, dass der Schutzgrad dadurch eingeschränkt wird. Dazu gehören unter anderem Kabelschäden, eine überhöhte Anzahl an Anschlüssen, Anschlüsse, die nicht nach Herstellerspezifikationen hergestellt werden, Schäden an Versiegelungen, eine falsche Montage von Kabeldurchführungen etc.

Sicher stellen, dass das Gerät fest aufgestellt ist. Sicher stellen, dass weder Versiegelungen noch Dichtstoffe so sehr gealtert sind, dass sie ein Eindringen zündfähiger Atmosphären nicht mehr verhindern und somit ihren Zweck nicht mehr erfüllen können. Ersatzteile müssen den Spezifikationen des Herstellers entsprechen.

HINWEIS: Die Verwendung von Silikondichtmitteln kann die Wirksamkeit mancher Leckdetektorgeräte beeinträchtigen. Eigensichere Komponenten müssen nicht elektrisch getrennt werden, bevor an ihnen gearbeitet wird.

3) Reparaturen an eigensicheren Komponenten

Keine permanenten induktiven oder kapazitiven Verbraucher an die Schaltung anlegen, wenn nicht dafür gesorgt ist, dass Spannung und Strom die zulässigen Grenzen für den Betrieb der Anlage überschreiten. Eigensichere Komponenten sind die einzigen Teile, an denen bei anliegendem Strom und zündfähiger Atmosphäre gearbeitet werden kann. Das Prüfinstrument muss die korrekten Bemessungswerte vorweisen. Komponenten nur durch Teile ersetzen, die vom Hersteller angegeben sind. Fremdteile können in der Atmosphäre einer Leckage zu einer Zündung des Kältemittels führen.

4) Kabelverbindungen

Kabelverbindungen auf Verschleiß, Korrosion, zu hohem Druck, Vibrationen, scharfe Kanten oder andere schädliche Umgebungsauswirkungen überprüfen. Bei der Prüfung sollten auch die Folgen von Alterung oder dauernden Vibrationen aufgrund von Kompressoren oder Lüftern berücksichtigt werden.

5) Erkennung zündfähiger Kältemittel

Unter keinen Umständen dürfen potenzielle Zündquellen dafür benutzt werden, um Kältemittel-Leckagen zu lokalisieren oder zu detektieren. Ein Halogen-Lecksucher (oder jeder andere Detektor, der eine offene Flamme einsetzt) darf nicht benutzt werden.

6) Verfahren der Leckerkennung

Folgende Leckdetektor-Verfahren gelten als zulässig für Anlagen, die zündfähige Kältemittel enthalten.

Elektronische Leckdetektoren müssen für die Erkennung zündfähiger Kältemittel eingesetzt werden, jedoch ist die Empfindlichkeit unter Umständen nicht ausreichend oder sie müssen neu kalibriert werden. (Detektorgeräte müssen in einem Kältemittel freien Bereich kalibriert werden.) Sicher stellen, dass der Detektor keine potenzielle Zündquelle für das verwendete Kältemittel darstellt. Das Leckdetektorgerät muss auf einen Prozentsatz des LFL des Kältemittels eingestellt werden und es muss für das eingesetzte Kältemittel kalibriert werden. Die entsprechende Menge Gas (maximal 25 %) ist zu bestätigen. Flüssige Leckdetektoren eignen sich für die meisten Kältemittel, jedoch müssen chlorhaltige Detektoren vermieden werden, da das Chlor mit dem Kältemittel reagieren und Kupferrohrleitungen angreifen kann. Falls ein Leckverdacht besteht, sollten alle offenen Flammen entfernt bzw. gelöscht werden. Wenn ein Kältemittelleck gefunden wird und Hartlötarbeiten erforderlich sind, muss das gesamte Kältemittel aus der Anlage aufgefangen oder (durch Absperrschieber) in einen Teil der Anlage abgeschieden werden, der von der Leckstelle weit entfernt ist. Sauerstofffreier Stickstoff (OFN) muss anschließend zum Spülen der Anlage vor sowie während der Hartlötarbeiten eingesetzt werden.

7. Entfernen und Evakuierung

Wenn der Kältemittelkreis für Reparaturarbeiten oder für andere Zwecke unterbrochen wird, müssen herkömmliche Methoden verwendet werden. Es sollte dabei jedoch immer eine in der Praxis bewährte Vorgehensweise benutzt werden, da die Zündfähigkeit ein kritischer Punkt ist. Nach folgender Vorgehensweise richten:

- Kältemittel entfernen;
- Den Kreislauf mit einem Edelgas spülen;
- Evakuieren;
- Nochmals mit Edelgas spülen;
- Den Kreislauf durch Trennschneiden oder Hartlöten öffnen.

Das vorhandene Kältemittel in geeigneten Behältern auffangen. Um die Anlage sicher zu machen, mit sauerstofffreiem Stickstoff „spülen“. Der Vorgang muss eventuell mehrmals wiederholt werden. Für diese Aufgabe darf weder Druckluft noch Sauerstoff verwendet werden. Zum Spülen wird der Unterdruck in der Anlage mit sauerstofffreiem Stickstoff aufgehoben und weiter gefüllt, bis der Betriebsdruck erreicht ist. Danach wird der Stoff in die Atmosphäre entlüftet und der Unterdruck wieder hergestellt. Dieser Vorgang wird wiederholt, bis sich kein Kältemittel mehr in der Anlage befindet. Nach dem letzten Stickstoff-Spülgang wird die Anlage bis auf Atmosphärendruck entlüftet, damit die Arbeiten ausgeführt werden können. Dieser Vorgang ist ein absolutes Muss, wenn Hartlötarbeiten an den Rohrleitungen auszuführen sind. Dafür sorgen, dass der Auslauf der Unterdruckpumpe nicht in der Nähe von Zündquellen liegt und dass eine Belüftung verfügbar ist.

8. Vorgehensweise beim Befüllen

Abgesehen von den herkömmlichen Befüllungsarbeiten müssen die folgenden Anweisungen befolgt werden.

- Bei Einsatz der Einfüllgeräte dafür sorgen, dass keine Verunreinigung durch verschiedene Kältemittel stattfindet. Schläuche oder Leitungen müssen so kurz wie möglich sein, um die Menge des darin enthaltenen Kältemittels zu minimieren.
 - Behälter müssen aufrecht gestellt werden.
 - Dafür sorgen, dass die Kälteanlage geerdet wird, bevor das Kältemittel eingefüllt wird.
 - Nach Abschluss der Befüllung muss die Anlage gekennzeichnet werden (sofern nicht schon geschehen).
 - Es muss besonders darauf geachtet werden, dass die Kälteanlage nicht überfüllt wird.
- Vor dem Auffüllen der Anlage sollte diese mittels sauerstofffreiem Stickstoff druckgeprüft werden. Nach Abschluss der Befüllung und vor der Inbetriebnahme muss die Anlage auf Dichtheit geprüft werden. Vor dem Verlassen des Ortes muss ein anschließender Lecktest durchgeführt werden.

9. Außerbetriebnahme

Vor diesen Arbeiten ist es unerlässlich, dass sich der Techniker mit der Anlage und allen zugehörigen Details auskennt. Es gilt als gute Vorgehensweise, sämtliches Kältemittel sicher aufzufangen. Vor Ausführung der Arbeiten muss eine Öl- und Kältemittelprobe genommen werden, falls vor der Wiederverwertung des Kältemittels eine Analyse durchgeführt werden muss. Bevor die Arbeit aufgenommen wird, muss unbedingt elektrischer Strom vorhanden sein.

- a) Die Anlage und ihre Funktionsweise müssen bekannt sein.
- b) Anlage elektrisch trennen.
- c) Vor den Arbeiten folgende Punkte sicher stellen:
 - Mechanische Transportanlage steht zur Verfügung, sofern diese für den Umgang mit den Kältemittelbehältern notwendig werden;
 - Die gesamte persönliche Schutzausrüstung steht zur Verfügung und wird korrekt eingesetzt;
 - Die Rückgewinnung wird von einer fachkundigen Person stets überwacht;
 - Die Anlagen und Behälter für die Rückgewinnung entsprechen den jeweiligen Standards.
- d) Falls möglich, die Kältemittelanlage entlüften.
- e) Sollte der Unterdruck nicht möglich sein, einen Verteiler vorsehen, damit das Kältemittel an verschiedenen Stellen der Anlage entnommen werden kann.
- f) Daran denken, den Behälter auf eine Waage zu stellen, bevor die Rückgewinnung stattfindet.
- g) Die Rückgewinnungsanlage starten und nach Anweisungen des Herstellers einsetzen.
- h) Die Behälter nicht überfüllen. (Nicht mehr als 80 % des flüssigen Füllvolumens).
- i) Den maximalen Betriebsdruck des Behälters nicht überschreiten, auch nicht vorübergehend.
- j) Wenn die Behälter korrekt befüllt wurden und der Vorgang abgeschlossen ist, müssen die Behälter und die Anlage möglichst bald vom Standort entfernt werden. Alle Absperrventile an der Anlage müssen verriegelt sein.
- k) Das aufgefangene Kältemittel darf nicht in eine andere Kälteanlage gefüllt werden, es sei denn, diese wurde gereinigt und überprüft.

10. Kennzeichnung

An der Anlage muss eine Kennzeichnung angebracht werden, die auf die Außerbetriebnahme und Entleerung des Kältemittels hinweist. Die Kennzeichnung muss datiert und unterzeichnet werden. Darauf achten, dass Schilder an der Anlage auf das enthaltene zündfähige Kältemittel aufmerksam machen.

11. Wiederverwertung

Beim Entfernen von Kältemittel aus einer Anlage zwecks Wartung oder Außerbetriebnahme wird es als gute praktische Vorgehensweise empfohlen, sämtliches Kältemittel sicher zu entfernen. Beim Umfüllen von Kältemittel in Behälter ist sicher zu stellen, dass nur für die Wiederverwertung geeignete Behälter eingesetzt

werden. Dafür sorgen, dass genügend Behälter zur Aufnahme der gesamten Anlagenbefüllung zur Verfügung stehen. Alle zu benutzenden Behälter sind für das wiederverwendete Kältemittel gekennzeichnet und beschriftet (z. B. Spezialbehälter für Kältemittelverwertung). Die Behälter müssen mit Überdruckventilen und geeigneten Absperrventilen in gutem Betriebszustand ausgestattet sein. Leere Wiederverwertungsbehälter werden entfernt und, sofern möglich, gekühlt, bevor die Wiederverwertung stattfindet. Die Wiederverwertungsanlage muss sich in einem guten Betriebszustand befinden. Die vollständigen Unterlagen zu der Anlage müssen griffbereit sein und die Anlage muss für die Wiederverwertung zündfähiger Kältemittel geeignet sein. Außerdem müssen mehrere Waagen zur Verfügung stehen und in gutem Zustand sein. Schläuche müssen vollständig mit dichten Kupplungsstücken zur Verfügung stehen und in gutem Zustand sein. Vor der Benutzung der Wiederverwertungsanlage kontrollieren, ob sich diese in gutem Betriebszustand befindet, ordnungsgemäß instandgehalten wurde und ob alle zugehörigen elektrischen Komponenten versiegelt sind, um einen Zündvorgang zu verhindern, falls Kältemittel austritt. Im Zweifelsfall den Hersteller kontaktieren. Das abgefüllte Kältemittel muss im richtigen Auffangbehälter an den Kältemittel-Lieferanten zurückgeliefert werden. Dazu muss ein entsprechendes Altlasten-Transportavis ausgestellt sein. Kältemittel in Auffangbehältern und besonders in Fässern nicht vertauschen. Falls Kompressoren oder Kompressoröle entfernt werden müssen, ist dafür zu sorgen, dass diese bis zu einem geeigneten Maß aus der Anlage entfernt wurden, um sicher zu stellen, dass kein zündfähiges Kältemittel beim Schmierstoff verbleibt. Die Beseitigung muss ausgeführt werden, bevor der Kompressor an den Lieferanten zurückgesendet wird. Nur eine Elektroheizung am Kompressorgehäuse darf eingesetzt werden, um diesen Vorgang zu beschleunigen. Wenn Öl aus der Anlage abgelassen wird, muss dies sicher durchgeführt werden.

Fachkenntnisse des Wartungspersonals

Allgemeines

Eine besondere Schulung ist neben der üblichen Einweisung in die herkömmlichen Reparaturschritte für Kälteanlagen erforderlich, wenn es sich um Anlagen mit zündfähigen Kältemitteln handelt.

In vielen Ländern wird diese Schulung von nationalen Fortbildungsinstituten durchgeführt, die für die Unterweisung nach den einschlägigen nationalen und vom Gesetzgeber vorgeschriebenen Fachstandards akkreditiert sind.

Die erlangte Fachkompetenz muss durch ein Zertifikat nachgewiesen sein.

Schulung

Zum Schulungsumfang sollten folgende Themen gehören:

Informationen über das Explosionspotenzial zündfähiger Kältemittel, um deutlich zu machen, dass zündfähige Stoffe bei unachtsamer Handhabung gefährlich werden können.

Informationen über potenzielle Zündquellen, insbesondere solche, die nicht offensichtlich sind wie etwa Anzünder, Lichtschalter, Staubsauger, Elektroheizungen.

Informationen über die verschiedenen Sicherheitskonzepte:

Unbelüftet – Die Sicherheit einer Anlage hängt nicht von der Belüftung des Gehäuses ab. Das Abschalten des Geräts oder das Öffnen des Gehäuses beeinträchtigt die Sicherheit nicht erheblich. Es ist dennoch möglich, dass sich ausgetretenes Kältemittel im Gehäuse abgesetzt hat und dass beim Öffnen des Gehäuses eine zündfähige Atmosphäre freigesetzt wird.

Belüftetes Gehäuse – Die Sicherheit der Anlage hängt von der Belüftung des Gehäuses ab. Das Abschalten des Geräts oder das Öffnen des Gehäuses beeinträchtigt die Sicherheit erheblich. Auf eine ausreichende Belüftung sollte zuvor besonders geachtet werden.

Belüfteter Raum – Die Sicherheit der Anlage hängt von der Raumbelüftung ab. Das Abschalten des Geräts oder das Öffnen des Gehäuses beeinträchtigt die Sicherheit nicht erheblich. Die Belüftung des Raums darf während der Reparaturarbeiten nicht abgeschaltet werden.

Informationen über das Konzept versiegelter Komponenten und Gehäuse gemäß IEC 60079-15:2010.

Informationen über die richtigen Arbeitsmethoden:

a) Inbetriebnahme

- Sicher stellen, dass der Werkstattbereich für die Kältemittelfüllung ausreicht oder dass die Belüftungsleitung korrekt montiert wurde.
- Die Leitungen anschließen und einen Lecktest durchführen, bevor das Kältemittel eingefüllt wird.
- Vor der Inbetriebnahme die Sicherheitsausrüstung prüfen.

b) Wartung

- Tragbare Geräte müssen im Freien oder in einer Werkstatt repariert werden, die für die Reparatur von Anlagen mit zündfähigen Kältemitteln besonders ausgestattet ist.
- Am Ort der Reparatur auf eine ausreichende Belüftung achten.
- Daran denken, dass eine Störung der Anlage durch Kältemittelverlust verursacht sein kann und dass ein Kältemittelleck möglich ist.
- Kondensatoren so entladen, dass sie keine Funken erzeugen. Bei der Standardmethode für das Entladen an den Kondensatoranschlüssen entstehen in der Regel Funken.
- Versiegelte Gehäuse müssen präzise wieder zusammengebaut werden. Verschlossene Dichtungen austauschen.
- Vor der Inbetriebnahme die Sicherheitsausrüstung prüfen.

c) Reparatur

- Tragbare Geräte müssen im Freien oder in einer Werkstatt repariert werden, die für die Reparatur von Anlagen mit zündfähigen Kältemitteln besonders ausgestattet ist.
- Am Ort der Reparatur auf eine ausreichende Belüftung achten.
- Daran denken, dass eine Störung der Anlage durch Kältemittelverlust verursacht sein kann und dass ein Kältemittelleck möglich ist.
- Kondensatoren so entladen, dass sie keine Funken erzeugen.
- Falls Hartlöten notwendig ist, müssen die folgenden Arbeitsschritte in der richtigen Reihenfolge ausgeführt werden:
 - Kältemittel entfernen. Falls eine Wiederverwertung nicht gesetzlich vorgeschrieben ist, das Kältemittel ins Freie ablassen. Dafür sorgen, dass das abgelassene Kältemittel keine Gefahren verursacht. Im Zweifelsfall sollte eine Person den Auslauf überwachen. Besonders darauf achten, dass abgelassenes Kältemittel nicht wieder in das Gebäude zurückströmt.
 - Den Kältemittelkreislauf entleeren.
 - Den Kältemittelkreislauf 5 Minuten lang mit Stickstoff spülen.
 - Danach erneut entleeren.
 - Auszutauschende Teile ausschneiden, ohne Flamme.
 - Die Hartlötstelle während des Lötvorgangs mit Stickstoff spülen.
 - Vor dem Einfüllen des Kältemittels einen Lecktest durchführen.
- Versiegelte Gehäuse müssen präzise wieder zusammengebaut werden. Verschlossene Dichtungen austauschen.
- Vor der Inbetriebnahme die Sicherheitsausrüstung prüfen.

d) Außerbetriebnahme

- Wenn die Sicherheit bei der Außerbetriebnahme der Anlage beeinträchtigt ist, muss die Kältemittelfüllung vor der Außerbetriebnahme entfernt werden.
- Für ausreichende Belüftung am Anlagenstandort sorgen.
- Daran denken, dass eine Störung der Anlage durch Kältemittelverlust verursacht sein kann und dass ein Kältemittelleck möglich ist.
- Kondensatoren so entladen, dass sie keine Funken erzeugen.
- Kältemittel entfernen. Falls eine Wiederverwertung nicht gesetzlich vorgeschrieben ist, das Kältemittel ins Freie ablassen. Dafür sorgen, dass das abgelassene Kältemittel keine Gefahren verursacht. Im Zweifelsfall sollte eine Person den Auslauf überwachen. Besonders darauf achten, dass abgelassenes

Kältemittel nicht wieder in das Gebäude zurückströmt.

- Den Kältemittelkreislauf entleeren.
- Den Kältemittelkreislauf 5 Minuten lang mit Stickstoff spülen.
- Danach erneut entleeren.
- Bis zum Atmosphärendruck mit Stickstoff befüllen.
- An der Anlage ein Schild anbringen, das auf das entfernte Kältemittel hinweist.

e) Entsorgung

- Am Arbeitsort auf eine ausreichende Belüftung achten.
- Kältemittel entfernen. Falls eine Wiederverwertung nicht gesetzlich vorgeschrieben ist, das Kältemittel ins Freie ablassen. Dafür sorgen, dass das abgelassene Kältemittel keine Gefahren verursacht. Im Zweifelsfall sollte eine Person den Auslauf überwachen. Besonders darauf achten, dass abgelassenes Kältemittel nicht wieder in das Gebäude zurückströmt.
- Den Kältemittelkreislauf entleeren.
- Den Kältemittelkreislauf 5 Minuten lang mit Stickstoff spülen.
- Danach erneut entleeren.
- Den Kompressor herausschneiden und das Öl ablassen.

Transport, Kennzeichnung und Aufbewahrung von Anlagen, die zündfähige Kältemittel verwenden

Transport von Anlagen, die zündfähiges Kältemittel enthalten

Es wird darauf aufmerksam gemacht, dass zusätzliche Transportvorschriften für Anlagen mit zündfähigen Gasen vorhanden sein können. Die Höchstanzahl an Anlagenteilen oder die Konfiguration der Anlage, die zusammen transportiert werden dürfen, wird von den jeweils geltenden Transportvorschriften bestimmt.

Kennzeichnung der Anlage mittels Schildern

Schilder für ähnliche Anlagen, die generell in einem Arbeitsbereich eingesetzt werden, werden von örtlichen Vorschriften geregelt und legen die Mindestanforderungen an die Sicherheit und/oder an das Vorsehen von Warnschildern an einem Arbeitsort fest.

Alle vorgeschriebenen Schilder müssen instandgehalten werden. Arbeitgeber müssen dafür sorgen, dass die Mitarbeiter geeignete und ausreichende Anweisungen und Unterweisungen über die Bedeutung der jeweiligen Sicherheitsschilder und über die Maßnahmen erhalten, die in Verbindung mit diesen Schildern zu ergreifen sind.

Die Wirkung der Schilder darf nicht durch ein Übermaß an Beschilderungen beeinträchtigt werden, die gemeinsam verwendet werden.

Alle verwendeten Piktogramme sollten so einfach wie möglich gehalten werden nur die wichtigsten Angaben enthalten.

Entsorgung von Anlagen mit zündfähigen Kältemitteln

Dazu wird auf die nationalen Vorschriften verwiesen.

Aufbewahrung von Anlagen/Geräten

Die Anlagen sollten den Herstelleranweisungen entsprechend aufbewahrt werden.

Aufbewahrung verpackter (nicht verkaufter) Anlagen

Der Schutz für verpackte Ware beim Einlagern sollte so konstruiert sein, dass mechanische Schäden an der Anlage in der Verpackung nicht zu einem Austreten von Kältemittel führen.

Die Höchstanzahl der Anlagen, die zusammen eingelagert werden dürfen, ist in den örtlichen Vorschriften vorgeschrieben.

Merci beaucoup d'avoir acheté nos produits. Afin de garantir un bon fonctionnement, merci de lire attentivement ce manuel et les instructions avant l'utilisation.

INSTRUCTIONS IMPORTANTES:

Lors de l'utilisation d'appareils électriques, des précautions élémentaires doivent toujours être prises afin de réduire le risque d'incendie, d'électrocution, de brûlures et autres blessures.

1. Lisez et conservez ces instructions. Attention: les images incluses dans le manuel d'instructions servent de référence seulement.
2. Cet appareil peut être utilisé par des enfants âgés de 8 ans et plus et les personnes ayant des capacités physiques, sensorielles ou mentales, ou un manque d'expérience et de connaissances si elles ont été formées et encadrées pour l'utilisation de cet appareil en toute sécurité et de comprendre la risques impliqués.
3. Les enfants ne doivent pas jouer avec l'appareil.
4. Le nettoyage et la maintenance ne doivent pas être effectués par des enfants sans surveillance.
5. Si le câble d'alimentation est endommagé, il doit être remplacé par le fabricant, son service après vente ou des personnes de qualification similaire afin d'éviter un danger.
6. Utiliser l'appareil uniquement en intérieur.
7. N'utilisez pas l'appareil dans une zone près d'une source inflammable ; où de l'huile est susceptible d'être éclaboussée ; où il serait exposé à la lumière directe du soleil ; où il risque d'être éclaboussé par de l'eau ; à proximité d'une baignoire, d'une laverie, d'une douche ou d'une piscine.

8. N'insérez jamais vos doigts ou des bâtons dans la sortie d'air. Prévenez particulièrement les enfants de ces dangers.
9. Gardez l'unité en position verticale pendant le transport et le stockage, car le compresseur doit rester droit.
10. Avant de nettoyer ou de déplacer l'appareil, éteignez et débranchez toujours le câble d'alimentation.
11. Pour éviter tout risque d'incendie, ne couvrez pas l'appareil.
12. Toutes les prises du climatiseur doivent être conformes aux exigences de sécurité électriques locales. Si nécessaire, veuillez vérifier la conformité de ces exigences.
13. L'appareil doit être installé conformément aux réglementations de câblage nationales.
14. Description du type et du calibre des fusibles : T, 250 V CA, 3,15 A.
15. Contactez un technicien autorisé pour la réparation ou l'entretien de cet appareil.
16. Ne tirez pas, ne déformez pas, ne modifiez pas le câble d'alimentation et ne l'immergez pas dans l'eau. Tirer ou mal utiliser le câble d'alimentation peut endommager l'appareil et provoquer un choc électrique.
17. La conformité aux réglementations nationales en matière de gaz doit être observée.
18. L'entretien ne doit être effectué que selon les recommandations du fabricant de l'appareil. L'entretien et les réparations nécessitant l'assistance d'un autre personnel qualifié doivent être effectués sous la supervision de la personne compétente pour l'utilisation de réfrigérants inflammables.
19. N'éteignez pas l'appareil en tirant sur le câble d'alimentation car cela pourrait provoquer un choc électrique ou un incendie en raison de la chaleur générée.
20. Débranchez l'appareil si des sons étranges, une odeur ou de la fumée s'en échappent.

21. Branchez toujours l'appareil dans une prise de courant reliée à la terre.
22. En cas de dommage, veuillez éteindre l'interrupteur, débranchez le câble d'alimentation électrique et contactez un centre agréé pour faire réparer l'appareil.
23. N'utilisez pas de moyens pour accélérer le processus de dégivrage ou pour nettoyer l'appareil, autres que ceux recommandés par le fabricant.
24. L'appareil doit être rangé dans une pièce où il n'y a pas de sources d'inflammation à risque (comme par exemple, une flamme nue, un appareil à gaz en fonctionnement ou un appareil de chauffage électrique en marche).
25. Ne percez pas et ne brûlez pas l'appareil.
26. Sachez que les réfrigérants peuvent ne pas émettre d'odeur.
27. Cet appareil contient du gaz réfrigérant R290. R290 est un gaz réfrigérant conforme aux directives européennes sur l'environnement. . Ne percez aucune partie du circuit du réfrigérant.
28. Si l'appareil est installé, utilisé ou stocké dans une zone non ventilée, la pièce doit être conçue de manière à prévenir l'accumulation de fuites de réfrigérant pouvant entraîner un risque d'incendie ou d'explosion dû à l'inflammation du réfrigérant provoquée par des radiateurs électriques, des cuisinières ou d'autres sources d'inflammation.
29. L'appareil doit être rangé de manière à éviter les pannes mécaniques.
30. Les personnes qui travaillent ou interviennent sur le circuit frigorifique doivent avoir la certification appropriée délivrée par un organisme accrédité garantissant la compétence en matière de manipulation des frigorigènes conformément à une évaluation spécifique reconnue par les associations du secteur.
31. Les réparations doivent être effectuées conformément aux recommandations de l'entreprise de fabrication. L'entretien et les réparations qui nécessitent l'assistance

d'un autre personnel qualifié doivent être effectués sous la supervision d'une personne experte dans l'utilisation de réfrigérants inflammables.

32. Concernant les instructions de réparation des appareils contenant du R290, veuillez vous reporter aux paragraphes ci-dessous.
33. Laissez toujours l'appareil se reposer pendant au moins 2 heures après l'avoir déplacé d'un endroit à un autre.



Avertissement : Risque d'incendie / Matériaux inflammables.



Lisez le manuel d'instructions.



Manuel de l'opérateur ; mode d'emploi.



Indications sur les réparations ; lisez le manuel technique.

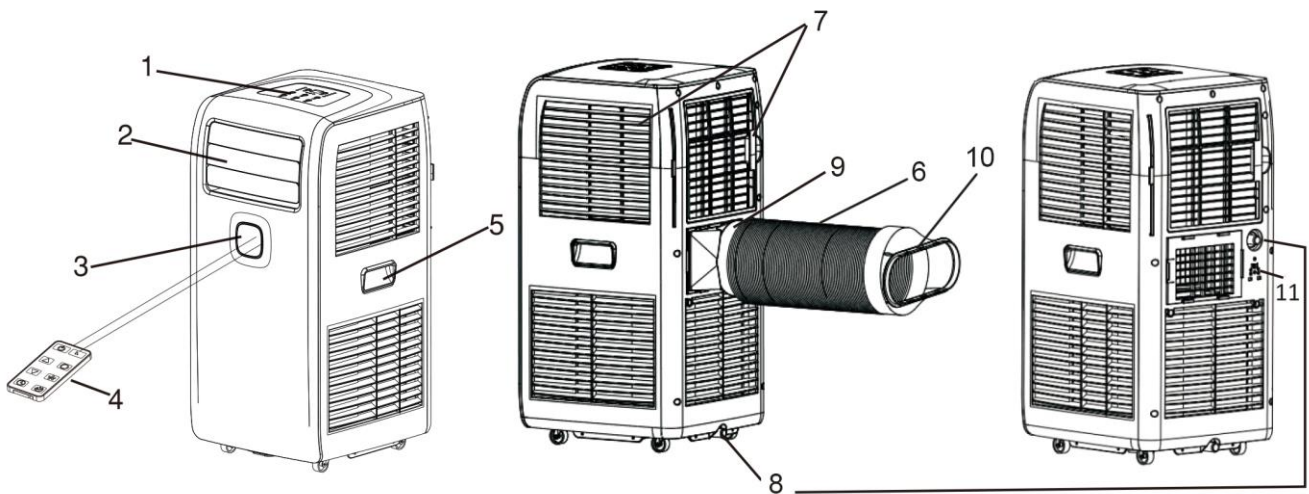
Avertissement : Maintenez les orifices de ventilation dégagés de tout obstacle.

Avertissement : L'appareil doit être rangé dans une zone bien ventilée où la taille de la pièce correspond à celle spécifiée pour le fonctionnement.

La distance requise autour de l'appareil doit être d'au moins 30 cm.

L'appareil doit être installé, utilisé et rangé dans une pièce dont la surface au sol est supérieure à 7.9 m².

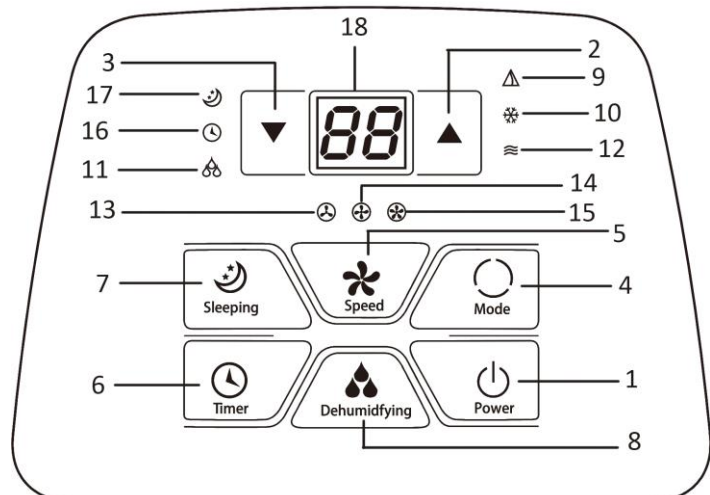
DESCRIPTION DES PIÈCES



1. Panneau de contrôle
2. Sortie d'air et persiennes
3. Récepteur de signal
4. Télécommande
5. Poignée
6. Tuyau d'évacuation d'air
7. Entrée d'air et filtre à air
8. Orifice de vidange (muni d'un bouchon)
9. Connecteur du tuyau
10. Adaptateur de fenêtre
11. Trou pour prise universel (utilisé pour stocker la prise)

Panneau de contrôle

1. Bouton marche/arrêt
2. Bouton d'augmentation de la température / minuteur
3. Bouton de diminution de la température / minuteur
4. Bouton de mode
5. Bouton de vitesse du ventilateur
6. Bouton du minuteur
7. Bouton de sommeil
8. Bouton de déshumidification
9. Témoin lumineux du mode auto
10. Témoin lumineux du mode rafraîchissement
11. Témoin lumineux du mode de déshumidification
12. Témoin lumineux du mode ventilation
13. Témoin lumineux de faible vitesse
14. Témoin lumineux de la vitesse moyenne
15. Témoin lumineux du minuteur
16. Témoin lumineux de sommeil
17. Écran numérique



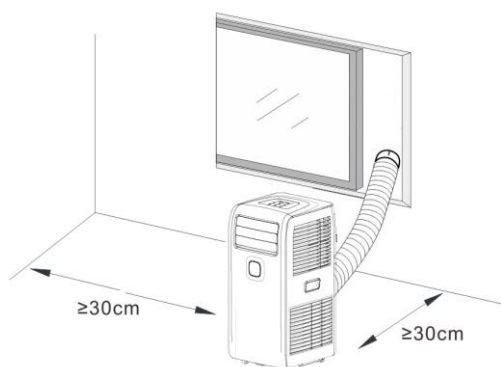
Télécommande

Cet appareil est pourvu d'une télécommande. Une pile CR2025 est fournie dans la télécommande. Avant de commencer à utiliser la télécommande, enlevez la protection plastique de la pile. Si vous souhaitez changer la pile, veuillez vous reporter aux instructions situées à l'arrière de la télécommande. Avant toute période d'inutilisation prolongée, retirez la pile de la télécommande. Conservez les piles cellulaires hors de portée des enfants.

Les fonctions des boutons de la télécommande sont les mêmes que celles des boutons du panneau de contrôle.

INSTALLATION

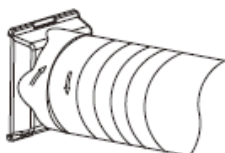
- L'unité doit être installée sur une surface plane où la sortie d'air ne serait pas bloquée. La distance requise autour de l'unité doit être d'au moins 30 cm.



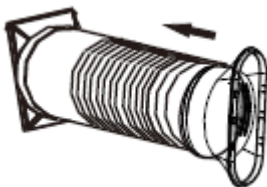
- L'unité ne doit pas être installée dans une laverie.
- Rallongez le tuyau d'évacuation en tirant sur les deux extrémités du tuyau.



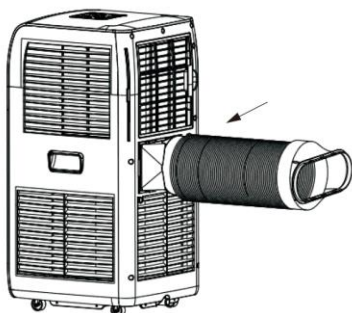
- Vissez le tuyau d'évacuation dans le connecteur de tuyau.



- Vissez l'autre extrémité du tuyau d'air dans l'adaptateur de fenêtre.



- Insérez le connecteur de tuyau dans les fixations situées à l'arrière de l'appareil.



FONCTIONNEMENT

*Laissez toujours l'appareil se reposer pendant au moins 2 heures après l'avoir déplacé d'un endroit à un autre.

Avant l'utilisation, vérifiez si le tuyau d'évacuation a été correctement monté. Branchez l'appareil. Ouvrez les persiennes avant d'allumer l'appareil.

1. Bouton marche/arrêt




Appuyez sur le bouton marche/arrêt pour mettre l'appareil en marche. L'écran affiche la température ambiante. The appliance will start to work.

Appuyez à nouveau sur le bouton, l'appareil s'éteindra.

2. Bouton d'augmentation de la température / minuteur et bouton de diminution de la température / minuteur

Appuyez sur les boutons « ▲ » / « ▼ » pour régler la température ambiante souhaitée de 15 °C à 31 °C. Les boutons peuvent également être utilisés pour régler le minuteur durant le réglage. La valeur sera augmentée / diminuée de 1 (°C / heure) à chaque pression.

3. Bouton de vitesse du ventilateur

Appuyez sur le bouton de vitesse du ventilateur pour basculer la vitesse du ventilateur entre faible, moyenne et haute. Le voyant lumineux correspondant "  " / "  " / "  " s'allume.

4. Bouton mode

Appuyez sur le bouton mode pour choisir le mode de fonctionnement souhaité parmi AUTO, rafraîchissement et ventilation. Le voyant lumineux correspondant s'allume lorsque le mode spécifique est sélectionné.

- Mode Auto

En mode AUTO, le capteur de température intérieure fonctionne automatiquement pour sélectionner le fonctionnement souhaité parmi rafraîchissement ou ventilation : lorsque la température ambiante n'est pas inférieure à 24 °C, l'appareil sélectionne automatiquement le mode rafraîchissement, et lorsque la température ambiante est inférieure à 24 °C, l'unité sélectionne automatiquement le mode ventilation.

- Mode rafraîchissement

Le compresseur se met en marche lorsque la température est supérieure à la température de consigne. Lorsque la température ambiante est inférieure à la température de consigne, le compresseur s'arrête et le ventilateur fonctionne à la vitesse définie initialement.

Remarque : Lorsque le compresseur fonctionne, l'unité vibre légèrement. Ceci est normal et sans danger.

- Mode ventilation

Lorsque le ventilateur fonctionne à la vitesse de consigne, le compresseur ne fonctionne pas.

Le réglage de la température en mode ventilation n'est pas efficace.

5. Déshumidification

- Appuyez sur le bouton de déshumidification pour activer la fonction. Le ventilateur fonctionne à faible vitesse. La vitesse du ventilateur et la température ne peuvent pas être réglées.
- Le compresseur s'arrête après 8 minutes de fonctionnement, puis se remet en marche après 6 minutes.
- Appuyez sur le bouton mode pour passer en mode AUTO / rafraîchissement / mode ventilation.

6. Bouton du minuteur

Réglage de la mise en marche automatique

- Lorsque l'appareil est éteint, appuyez sur le bouton du minuteur, le témoin lumineux du minuteur clignote.
- Appuyez sur le bouton d'augmentation ou de diminution du minuteur pour sélectionner l'heure de la mise en marche automatique entre 1 et 24 heures. Le témoin lumineux de la minuterie clignote pendant quelques secondes, puis reste allumé ; l'écran numérique est éteint. Le réglage de la minuterie est confirmé.
- Vous pouvez choisir la vitesse et le mode de ventilation en même temps.
- L'appareil démarre automatiquement une fois que le temps pré-réglé est écoulé.

Réglage de l'arrêt automatique

- Lorsque l'appareil est en marche, appuyez sur le bouton du minuteur, le témoin lumineux du minuteur clignote.
- Appuyez sur le bouton d'augmentation ou de diminution du minuteur pour sélectionner l'heure d'arrêt automatique entre 1 et 24 heures. Le témoin lumineux clignote pendant quelques secondes, puis reste allumé ; l'écran numérique affiche la température ambiante. Le réglage de la minuterie est confirmé.
- L'appareil s'arrête automatiquement une fois que le temps pré-réglé est écoulé.

Pour annuler le minuteur, réglez l'heure à 0 heure, ou appuyez sur la touche de réglage du minuteur, et lorsque l'écran numérique clignote, appuyez à nouveau sur le bouton du minuteur. Le témoin lumineux du minuteur s'éteint alors.

7. Bouton de sommeil (uniquement actif en mode rafraîchissement)

Appuyez sur le bouton de sommeil pour activer le mode sommeil. Le témoin lumineux de sommeil s'allume.

En mode sommeil, le ventilateur tourne automatiquement à faible vitesse. La température de consigne augmente de 1 °C après une heure, et augmente de 2 °C après deux heures. Après six heures, l'appareil s'arrête automatiquement.

REMARQUE :

- Le dispositif de protection peut se déclencher et arrêter l'appareil dans les conditions listées ci-dessous.

Rafraîchissement	La température ambiante est supérieure à 43 °C.
	La température ambiante est inférieure à 15 °C.
Déshumidification	La température ambiante est inférieure à 15 °C.

- Si l'appareil fonctionne en mode rafraîchissement ou en mode déshumidification avec porte ou fenêtre ouverte pendant une longue période lorsque l'humidité relative est supérieure à 80 %, de la rosée peut s'écouler de la sortie d'air.

Vidange de l'eau

- 1) Rappel spécial : il y a un recyclage de l'eau condensée caché dans cet appareil. L'eau condensée est en partie recyclée entre le condenseur et le bac à eau. Lorsque le niveau d'eau monte au niveau supérieur, le code « E4 » de remplissage s'affiche sur l'écran numérique pour rappeler qu'il faut vidanger l'eau.
- 2) Veuillez couper l'alimentation électrique, déplacer l'appareil à un endroit adapté, enlever le bouchon situé dans l'orifice de vidange pour vidanger complètement l'eau. Si les conditions le permettent, vous pouvez également connecter le tuyau de vidange à l'orifice de vidange pour vidanger l'eau. Cet appareil dispose de deux orifices de vidange.

- 3) Après la vidange, remettez le bouchon dans l'orifice de vidange, sinon l'appareil risque de fuir et de rendre votre pièce humide.

NETTOYAGE ET ENTRETIEN

- Avant le nettoyage, veillez à débrancher l'appareil de la prise d'alimentation électrique.
- N'utilisez pas d'essence ou d'autres produits chimiques pour nettoyer l'appareil.
- Ne lavez pas l'appareil directement.
- Si l'appareil est endommagé, veuillez contacter le revendeur ou le centre de réparation.

Filtre à air

Si les filtres à air sont bouchés par de la poussière ou des saletés, ils doivent être nettoyés toutes les deux semaines.

- Retirez les filtres à air en tirant sur la languette.
- Nettoyez le filtre à air avec un détergent neutre dans de l'eau tiède (< 40 °C) et faites-le sécher à l'ombre.
- Installez de nouveau le filtre à air.



Nettoyage de la surface

Commencez par nettoyer la surface avec un détergent neutre et un chiffon humide, puis essuyez-la avec un chiffon sec.

GUIDE DE DÉPANNAGE

Problèmes	Causes possibles	Solutions
L'appareil ne refroidit pas suffisamment	Les portes ou les fenêtres ne sont pas fermées.	Assurez-vous que toutes les fenêtres et les portes sont fermées.
	Il y a des sources de chaleur dans la pièce.	Éliminer les sources de chaleur si possible.
	Le tuyau d'évacuation d'air chaud n'est pas connecté ou est bloqué.	Connectez ou nettoyez le tuyau d'évacuation d'air chaud.
	Le réglage de la température est trop élevé.	Réinitialisez a température.
	L'entrée d'air / sortie d'air est bloquée.	Nettoyez l'entrée d'air / sortie d'air.
L'appareil est bruyant	Le sol n'est pas plat ou n'est pas assez plat.	Placez l'appareil sur une surface plane et horizontale, si possible.
	Le son provient de l'écoulement du réfrigérant à l'intérieur de l'appareil.	C'est normal.
Code « E2 » affiché à l'écran numérique	Le capteur de température ambiante ne fonctionne pas.	Remplacez le capteur de température ambiante. Contactez un technicien agréé pour la réparation.
Code « E3 » affiché à l'écran numérique	Le capteur de température de l'évaporateur ne fonctionne pas.	Remplacez le capteur de température de l'évaporateur. Contactez un technicien agréé pour la réparation.
Code « E4 » affiché à l'écran numérique	Alerte de remplissage d'eau	Vidangez l'eau.

DONNÉES TECHNIQUES

Données ci-dessous pour votre référence

Modèle	PAC-125152
Tension nominale	220-240V
Fréquence nominale	50Hz
Entrée nominale	950W
Courant nominal	4.3A
Capacité de refroidissement	9000BTU
Élimination de l'humidité (Faible / Forte)	1.0
Flux d'air	300m ³ /h

INFORMATIONS ERP

	Valeur
Marque déposée	Emerio
Identification du modèle	PAC-125152
Puissance sonore (refroidissement)	64.3dB(A)
Nom du fluide frigorigène	R290
Puissance absorbée nominale pour le refroidissement (kW)	0.95
Taux d'efficacité énergétique nominal	2.6
PRP (kg CO ₂ eq)	3
Classe d'efficacité énergétique	A
Consommation d'énergie pour les appareils à double conduit (kWh / h)	-
Consommation d'énergie pour les appareils à conduit unique (kWh / h)	0.96
Consommation en mode thermostat désactivé (W)	-
Consommation électrique en mode veille (W)	0.43
Capacité de refroidissement	9000BTU

Les fuites de réfrigérants contribuent au changement climatique. Les réfrigérants ayant un potentiel de réchauffement planétaire (PRP) inférieur contribueraient moins au réchauffement planétaire qu'un réfrigérant présentant un PRG supérieur, en cas de fuite dans l'atmosphère. Cet appareil contient un fluide frigorigène avec un PRP égal à 3. Cela signifie que si 1 kg de ce fluide frigorigène était rejeté dans l'atmosphère, l'impact sur le réchauffement planétaire serait 3 fois supérieur à 1 kg de CO₂ sur une période de 100 ans. N'essayez jamais d'interférer vous-même avec le circuit de fluide frigorigène ni de le démonter vous-même et faites toujours appel à un professionnel.

#Consommation d'énergie 0.96 kWh pour le modèle PAC-125152 en 60 minutes d'utilisation dans des conditions d'essai normalisées. La consommation d'énergie réelle dépend de la manière dont l'appareil est utilisé et de son emplacement.

Pour toute information complémentaire, veuillez contacter :

Emerio Holland B.V.

Zomervaat 1A

2033 DA Haarlem

The Netherlands

Service à la clientèle:

T: +31(0)23 3034369

E: info.nl@emerio.eu

GARANTIE ET SERVICE APRÈS-VENTE

Nos appareils sont soumis à un contrôle de qualité strict avant d'être livrés. Si l'appareil a toutefois été endommagé lors de la prohoseion ou du transport en dépit des soins que nous lui donnons, retournez l'appareil au vendeur. En plus des droits juridiques, le client a la possibilité dans les limites de la garantie de déposer les réclamations suivantes:

Nous offrons une garantie de 2 ans pour l'appareil acheté à partir de la date de vente. Les défauts dus à une utilisation non conforme de l'appareil et les dommages dus à une intervention ou réparation faite par une tierce personne ou dus à l'installation de pièces qui ne sont pas d'origine ne sont pas couverts par cette garantie. Conservez toujours votre reçu, car sans celui-ci vous ne pourrez réclamer aucune sorte de garantie. Les dommages causés par le non respect des instructions de ce manuel rendront la garantie caduque, Nous décline toute responsabilité en cas de dommages indirects. Nous décline toute responsabilité en cas de dégâts matériels ou de dommages corporels causés par une utilisation inappropriée ou si les instructions de sécurité n'ont pas été convenablement observées. Si les accessoires sont endommagés, cela ne signifie pas que toute la machine sera remplacée gratuitement. Dans de tels cas, veuillez contacter notre assistance. Des pièces brisées en verre ou en plastique sont toujours sujettes à des frais. Les défauts des consommables ou des pièces susceptibles de s'user, ainsi que le nettoyage, l'entretien ou la réparation desdites pièces ne sont pas couverts par la garantie et doivent donc être payés.

APPAREIL RESPECTUEUX DE L'ENVIRONNEMENT



Recyclage – Directive européenne 2012/19/EU

Ce symbole indique que le produit ne doit pas être jeté avec les ordures ménagères. Pour limiter les risques pour l'environnement et la santé entraînés par le rejet non contrôlé des déchets, recyclez ce dernier pour promouvoir une réutilisation responsable de ses matériaux. Pour recycler votre produit, utilisez les réseaux de collecte de votre région ou prenez contact avec le

revendeur du produit. Ce dernier pourra vous aider à le recycler.



LA BATTERIE DOIT ÊTRE RECYCLÉE OU MISE AU REBUT D'UNE MANIÈRE APPROPRIÉE. NE

PAS OUVRIR. NE PAS JETER DANS UN FEU ET NE PAS COURT-CIRCUITER.

Emerio Holland B.V.
Zomervaart 1A
2033 DA Haarlem
The Netherlands

Service a la clientele:

T: +31(0)23 3034369

E: info.nl@emerio.eu

INSTRUCTIONS POUR LA RÉPARATION DES APPAREILS CONTENANT DU R290

1) Réparation

1) Vérifications de la zone

Avant de commencer à travailler sur des systèmes contenant des frigorigènes inflammables, des contrôles de sécurité sont nécessaires pour réduire au minimum le risque d'inflammation. Pour réparer le système de réfrigération, les précautions suivantes doivent être respectées avant de procéder à des travaux sur le système.

2) Procédure de travail

Les travaux doivent être effectués selon une procédure contrôlée, de manière à minimiser le risque de présence de gaz ou de vapeurs inflammables pendant l'exécution des travaux.

3) Zone de travail général

Tout le personnel de maintenance et les autres personnes travaillant dans la zone concernée doivent être informés de la nature des travaux effectués. Les travaux dans des espaces confinés doivent être évités. La zone autour de l'espace de travail doit être divisée. Assurez-vous que les conditions dans la zone ont été sécurisées par le contrôle des matériaux inflammables.

4) Vérification de la présence de réfrigérant

La zone doit être vérifiée avec un détecteur de réfrigérant approprié avant et pendant le travail, afin de s'assurer que le technicien est conscient des atmosphères potentiellement inflammables. Assurez-vous que l'équipement de détection de fuite utilisé est adapté aux fluides frigorigènes inflammables, c'est-à-dire qu'il ne produit pas d'étincelles, qu'il est correctement scellé ou qu'il est intrinsèquement sûr.

5) Présence d'extincteur

Si des travaux à chaud doivent être effectués sur l'équipement de réfrigération ou sur toute pièce associée, un équipement d'extinction d'incendie approprié doit être à disposition. Installez un extincteur à poudre sèche ou à CO₂ à proximité de la zone de chargement.

6) Aucune source d'inflammation

Aucune personne effectuant des travaux en relation avec un système de réfrigération impliquant l'exposition de tuyauteries contenant ou ayant contenu un réfrigérant inflammable ne doit utiliser une source d'inflammation susceptible de provoquer un incendie ou une explosion. Toutes les sources d'inflammation possibles, y compris une cigarette allumée, doivent être suffisamment éloignées du lieu d'installation, de réparation, de retrait et d'élimination, pendant lesquelles un réfrigérant inflammable peut éventuellement être rejeté dans l'espace environnant. Avant le début des travaux, la zone autour de l'équipement doit être inspectée pour s'assurer qu'il n'y a pas de danger d'inflammabilité ou de risque d'inflammation. Des panneaux «Interdiction de fumer» doivent être affichés.

7) Zone ventilée

Assurez-vous que la zone est à l'air libre ou qu'elle est correctement ventilée avant de pénétrer dans le système ou d'effectuer des travaux à chaud. Une certaine ventilation doit être maintenue pendant la durée des travaux. La ventilation doit disperser en toute sécurité tout fluide réfrigérant libéré et de préférence l'expulser vers l'extérieur dans l'atmosphère.

8) Contrôles de l'équipement de réfrigération

Lorsque des composants électriques sont remplacés, ils doivent être adaptés à l'usage prévu et aux spécifications appropriées. Les directives du fabricant en matière de maintenance et d'entretien doivent être suivies à tout moment. En cas de doute, consultez le service technique du fabricant.

Les contrôles suivants doivent être appliqués aux installations utilisant des réfrigérants inflammables :

- La taille de la charge est conforme à la taille de la pièce dans laquelle les pièces contenant le réfrigérant sont installées ;
- Les machines de ventilation et les sorties d'air fonctionnent correctement et ne sont pas obstrués ;
- Si un circuit de réfrigération indirect est utilisé, le circuit secondaire doit être vérifié pour la présence

de réfrigérant ;

- Le marquage sur l'équipement continue d'être visible et lisible. Les marques et signes illisibles doivent être corrigés ;
- Les tuyaux ou composants de réfrigération sont installés dans une position où ils ne risquent pas d'être exposés à une substance susceptible de corroder les composants contenant du fluide frigorigène, à moins que les composants ne soient construits avec des matériaux présentant une résistance inhérente à la corrosion ou une protection adéquate contre la corrosion.

9) Contrôles des appareils électriques

La réparation et la maintenance des composants électriques doivent inclure les contrôles de sécurité initiaux et les procédures d'inspection des composants. S'il existe un défaut susceptible de compromettre la sécurité, aucune alimentation électrique ne doit être connectée au circuit jusqu'à ce que le problème soit résolu de manière satisfaisante. Si le défaut ne peut pas être corrigé immédiatement mais qu'il est nécessaire de poursuivre le fonctionnement, une solution temporaire adéquate doit être utilisée. Cela doit être signalé au propriétaire de l'équipement afin que toutes les parties soient informées. Les contrôles de sécurité initiaux doivent inclure :

- que les condensateurs soient déchargés : cela doit être fait de manière sûre pour éviter toute possibilité d'étincelle ;
- qu'il n'y a pas de composants électriques et de câbles sous tension qui soient exposés lors du chargement, de la récupération ou de la purge du système ;
- Qu'il existe une continuité de la mise à la terre.

2) Réparations des composants scellés

- 1) Pendant les réparations des composants scellés, toutes les alimentations électriques doivent être débranchées de l'équipement utilisé avant l'enlèvement des couvercles scellés, etc. S'il est absolument nécessaire d'avoir une alimentation électrique de l'équipement pendant la procédure d'entretien, un système permanent de détection de fuite doit être situé au point le plus critique pour avertir d'une situation potentiellement dangereuse.
- 2) Une attention particulière doit être portée aux points suivants afin de garantir que le travail sur les composants électriques ne modifie pas le boîtier de manière à ne pas nuire à la protection. Cela inclut les dommages sur les câbles, le nombre excessif de connexions, les bornes non conformes aux spécifications d'origine, les dommages sur les joints d'étanchéité, le mauvais montage des presse-étoupes, etc.

Assurez-vous que l'appareil est bien monté. Assurez-vous que les joints ou les matériaux d'étanchéité ne se sont pas dégradés de telle sorte qu'ils ne servent plus à empêcher la pénétration d'atmosphères inflammables. Les pièces de rechange doivent être conformes aux spécifications du fabricant.

REMARQUE : L'utilisation d'un produit d'étanchéité à base de silicone peut nuire à l'efficacité de certains types d'équipement de détection de fuites. Les composants de sécurité intrinsèque ne doivent pas nécessairement être isolés avant de travailler dessus.

3) Réparation des composants à sécurité intrinsèque

N'appliquez pas de charges inductives ou capacitatives permanentes sur le circuit sans vous assurer que cela ne dépassera pas la tension et le courant admissibles pour l'équipement utilisé. Les composants à sécurité intrinsèque sont les seuls types sur lesquels on peut travailler tout en étant dans une atmosphère inflammable. L'appareil d'essai doit avoir les spécifications correctes. Remplacez les composants uniquement par des pièces spécifiées par le fabricant. D'autres pièces peuvent provoquer l'inflammation du réfrigérant dans l'atmosphère par une fuite.

4) Câblage

Vérifiez que le câblage ne sera pas soumis à l'usure, à la corrosion, à une pression excessive, aux vibrations, aux arêtes vives ou à tout autre effet nuisible. Le contrôle doit également prendre en compte les effets du vieillissement ou des vibrations continues provenant de sources telles que les compresseurs ou les ventilateurs.

5) Détection de réfrigérants inflammables

En aucun cas, des sources d'inflammation potentielles ne doivent être utilisées pour rechercher ou détecter des fuites de réfrigérant. Une torche aux halogénures (ou tout autre détecteur utilisant une flamme nue) ne doit pas être utilisée.

6) Méthodes de détection de fuite

Les méthodes de détection des fuites suivantes sont jugées acceptables pour les systèmes contenant des frigorigènes inflammables.

Des détecteurs de fuites électroniques doivent être utilisés pour détecter les réfrigérants inflammables, mais la sensibilité peut ne pas être adéquate ou nécessiter un réétalonnage. (L'équipement de détection doit être étalonné dans une zone sans réfrigérant). Assurez-vous que le détecteur n'est pas une source potentielle d'inflammation et qu'il convient au réfrigérant utilisé. L'équipement de détection des fuites doit être réglé sur un pourcentage de la LF du réfrigérant et doit être étalonné sur le réfrigérant utilisé et le pourcentage de gaz approprié (25% maximum) confirmé. Les fluides de détection des fuites peuvent être utilisés avec la plupart des réfrigérants, mais l'utilisation de détergents contenant du chlore doit être évitée car le chlore peut réagir avec le réfrigérant et corroder les conduites en cuivre. Si une fuite est suspectée, toutes les flammes nues doivent être retirées / éteintes. Si une fuite de réfrigérant nécessitant un brasage est détectée, tout le réfrigérant doit être récupéré du système ou isolé (au moyen de vannes d'arrêt) dans une partie du système éloignée de la fuite. L'azote exempt d'oxygène (OFN) doit ensuite être purgé à travers le système avant et pendant le processus de brasage.

7. Retrait et évacuation

Lorsque vous accédez au circuit de fluide frigorigène pour effectuer des réparations - ou à toute autre fin - utilisez les procédures classiques. Cependant, il est important que les meilleures pratiques soient suivies car l'inflammabilité est dangereuse. La procédure suivante doit être respectée :

- Retirez le réfrigérant ;
- Purgez le circuit avec un gaz inerte ;
- Évacuez ;
- Purgez à nouveau avec un gaz inerte ;
- Ouvrez le circuit en coupant ou en brasant.

La charge de réfrigérant doit être récupérée dans les bouteilles de récupération adaptées. Le système doit être « vidé » avec de l'azote sans oxygène pour rendre l'unité sûre. Ce processus peut avoir besoin d'être répété plusieurs fois. L'air comprimé ou l'oxygène ne doit pas être utilisé pour cette tâche. Le rinçage doit être réalisé en rompant le vide dans le système avec de l'azote sans oxygène et en continuant à le verser jusqu'à atteindre la pression de fonctionnement, puis en le relâchant dans l'atmosphère et en le tirant finalement vers le vide. Ce processus doit être répété jusqu'à ce qu'il n'y ait plus de réfrigérant dans le système. Lorsque la dernière charge d'azote sans oxygène est utilisée, le système doit être purgé à la pression atmosphérique pour permettre le travail. Cette opération est absolument essentielle pour que des opérations de brasage sur la tuyauterie aient lieu. Assurez-vous que la sortie de la pompe à vide ne se trouve pas à proximité de sources d'inflammation et qu'il existe une ventilation.

8. Procédures de charge

En plus des procédures de charge conventionnelles, les exigences suivantes doivent être suivies.

- Assurez-vous que les différents réfrigérants ne soient pas contaminés lors de l'utilisation d'un équipement de charge. Les tuyaux ou les conduites doivent être aussi courts que possible pour minimiser la quantité de réfrigérant qu'ils contiennent.
- Les bouteilles doivent être maintenues verticales.
- Assurez-vous que le système de réfrigération est mis à la terre avant de le charger en réfrigérant.
- Étiquetez le système lorsque le chargement est terminé (si ce n'est déjà fait).
- Un soin extrême doit être pris pour ne pas trop remplir le système de réfrigération.

Avant de recharger le système, il doit être testé sous pression avec de l'azote sans oxygène. Le système doit être soumis à un test d'étanchéité à la fin du chargement mais avant la mise en service. Un contrôle d'étanchéité doit être effectué avant de quitter le site.

9. Mise hors service

Avant d'effectuer cette procédure, il est essentiel que le technicien connaisse parfaitement l'équipement et tous ses détails. Il est recommandé, conformément aux bonnes pratiques, de récupérer tous les réfrigérants en toute sécurité. Avant l'exécution de la tâche, un échantillon d'huile et de fluide frigorigène doit être prélevé au cas où une analyse serait nécessaire avant la réutilisation du fluide frigorigène récupéré. Il est essentiel que l'alimentation électrique soit disponible avant le début de la tâche.

- a) Familiarisez-vous avec l'équipement et son fonctionnement.
- b) Isolez le système électriquement.
- c) Avant de tenter la procédure, assurez-vous que :
 - Un équipement de manutention mécanique est disponible, si nécessaire pour la manipulation des bouteilles de réfrigérant ;
 - Tous les équipements de protection individuelle sont disponibles et utilisés correctement.
 - Le processus de récupération est supervisé à tout moment par une personne compétente.
 - L'équipement de récupération et les bouteilles sont conformes aux normes appropriées.
- d) Pompez le système de réfrigérant, si possible.
- e) Si faire le vide n'est pas possible, créez un collecteur de sorte que le réfrigérant puisse être éliminé de différentes parties du système.
- f) Assurez-vous que la bouteille est située sur la balance avant la récupération.
- g) Démarrez la machine de récupération et opérez conformément aux instructions du fabricant.
- h) Ne remplissez pas trop les bouteilles. (Pas plus de 80% du volume de charge liquide).
- i) Ne dépassez pas la pression maximale de service de la bouteille, même temporairement.
- j) Lorsque les bouteilles ont été remplies correctement et que le processus est terminé, assurez-vous que les bouteilles et l'équipement sont retirés du site rapidement et que toutes les vannes d'isolement de l'équipement sont fermées.
- k) Le réfrigérant récupéré ne doit être chargé dans un autre système de réfrigération que s'il a été nettoyé et vérifié.

10. Étiquetage

L'équipement doit porter une étiquette indiquant qu'il a été mis hors service et vidé du réfrigérant. L'étiquette doit être datée et signée. Assurez-vous que l'équipement contient des étiquettes indiquant que celui-ci contient du réfrigérant inflammable.

11. Récupération

Lorsque vous retirez du fluide frigorigène d'un système, que ce soit pour un entretien ou une mise hors service, il est recommandé de retirer tous les réfrigérants de manière sûre. Lors du transfert de réfrigérant

dans des bouteilles, veillez à n'utiliser que des bouteilles de récupération de réfrigérant appropriées. Assurez-vous que le nombre correct de bouteilles permettant de contenir la charge totale du système est disponible. Toutes les bouteilles à utiliser sont désignées pour le réfrigérant récupéré et étiquetés pour ce réfrigérant (c'est-à-dire des bouteilles spéciales pour la récupération du réfrigérant). Les bouteilles doivent être équipées d'une soupape de surpression et des vannes d'arrêt associées en bon état de fonctionnement. Les bouteilles de récupération vides sont évacuées et, si possible, refroidies avant la récupération. L'équipement de récupération doit être en bon état de fonctionnement, avec un ensemble d'instructions concernant l'équipement disponible et doit être adapté à la récupération des réfrigérants inflammables. En outre, un jeu de balances étalonnées doit être disponible et en bon état de fonctionnement. Les flexibles doivent être complets avec des raccords débranchés sans fuite et en bon état. Avant d'utiliser la machine de récupération, assurez-vous qu'elle est en bon état de fonctionnement, correctement entretenue et que tous les composants électriques associés sont scellés pour éviter toute inflammation en cas de libération de réfrigérant. Consultez le fabricant en cas de doute. Le fluide frigorigène récupéré doit être renvoyé au fournisseur de fluide frigorigène dans la bouteille de récupération appropriée, et le billet de transfert de déchets correspondant doit être préparé. Ne mélangez pas les réfrigérants dans les unités de récupération et surtout pas dans les bouteilles. Si les compresseurs ou leurs huiles doivent être éliminés, assurez-vous qu'ils ont été évacués à un niveau acceptable pour vous assurer que le réfrigérant inflammable ne reste pas dans le lubrifiant. Le processus d'évacuation doit être effectué avant de retourner le compresseur aux fournisseurs. Seul un chauffage électrique du boîtier du compresseur doit être utilisé pour accélérer ce processus. Lorsque l'huile est évacuée d'un système, elle doit être effectuée en toute sécurité.

Compétence du personnel de service

Général

Une formation spéciale, en plus des procédures de réparation habituelles des équipements frigorifiques, est nécessaire lorsqu'un équipement contenant des réfrigérants inflammables est affecté.

Dans de nombreux pays, cette formation est assurée par des organismes d'entraînement nationaux accrédités pour enseigner les normes de compétences nationales pertinentes pouvant être définies dans la législation.

Les compétences acquises doivent être documentées par un certificat.

Formation

La formation doit inclure les éléments suivants :

Des informations sur le potentiel d'explosion des réfrigérants inflammables pour montrer que les produits inflammables peuvent être dangereux lorsqu'ils sont manipulés sans précaution.

Des informations sur les sources d'inflammation potentielles, en particulier celles qui ne sont pas évidentes, telles que briquets, interrupteurs d'éclairage, aspirateurs, radiateurs électriques.

Des informations sur les différents concepts de sécurité:

Non ventilé - La sécurité de l'appareil ne dépend pas de la ventilation du boîtier. La mise hors tension de l'appareil ou l'ouverture du boîtier n'a pas d'incidence significative sur la sécurité. Néanmoins, il est possible que du réfrigérant qui s'échappe s'accumule à l'intérieur du boîtier et une atmosphère inflammable se dégage à l'ouverture du boîtier.

Boîtier ventilé - La sécurité de l'appareil dépend de la ventilation du boîtier. La mise hors tension de l'appareil ou l'ouverture du boîtier ont un impact significatif sur la sécurité. Des précautions doivent être prises pour assurer une ventilation suffisante au préalable.

Pièce ventilée - La sécurité de l'appareil dépend de la ventilation de la pièce. La mise hors tension de l'appareil ou l'ouverture du boîtier n'a pas d'incidence significative sur la sécurité. La ventilation de la pièce ne doit pas être arrêtée pendant les procédures de réparation.

Informations sur le concept de composants et d'enceintes étanches selon IEC 60079-15: 2010.

Des informations sur les procédures de travail correctes :

- a) Mise en service

- Assurez-vous que la surface au sol est suffisante pour la charge de réfrigérant ou que le tuyau de ventilation est correctement assemblé.
 - Raccordez les tuyaux et effectuez un test d'étanchéité avant de charger du réfrigérant.
 - Vérifiez les équipements de sécurité avant la mise en service.
- b) Maintenance
- Les équipements portables doivent être réparés à l'extérieur ou dans un atelier spécialement équipé pour manipuler les unités avec des réfrigérants inflammables.
 - Assurez une ventilation suffisante sur le lieu de réparation.
 - Sachez qu'un dysfonctionnement de l'équipement peut être causé par une perte de réfrigérant et qu'une fuite de réfrigérant est possible.
 - Déchargez les condensateurs de manière à ne causer aucune étincelle. La procédure standard pour court-circuiter les bornes du condensateur crée généralement des étincelles.
 - Remontez les boîtiers scellés avec précision. Si les joints sont usés, remplacez-les.
 - Vérifiez les équipements de sécurité avant la mise en service.
- c) Réparations
- Les équipements portables doivent être réparés à l'extérieur ou dans un atelier spécialement équipé pour manipuler les unités avec des réfrigérants inflammables.
 - Assurez une ventilation suffisante sur le lieu de réparation.
 - Sachez qu'un dysfonctionnement de l'équipement peut être causé par une perte de réfrigérant et qu'une fuite de réfrigérant est possible.
 - Déchargez les condensateurs de manière à ne causer aucune étincelle.
 - Lorsqu'un brasage est requis, les procédures suivantes doivent être effectuées dans le bon ordre :
 - Retirez le fluide frigorigène. Si la récupération n'est pas exigée par les réglementations nationales, vidangez le réfrigérant vers l'extérieur. Veillez à ce que le réfrigérant drainé ne présente aucun danger. En cas de doute, une personne doit observer la sortie. Veillez à ce que le réfrigérant drainé ne retourne pas dans le bâtiment.
 - Évacuez le circuit frigorifique.
 - Purgez le circuit de réfrigérant à l'azote pendant 5 minutes.
 - Évacuez à nouveau.
 - Enlevez les pièces à remplacer en les coupant et non en les enflammant.
 - Purgez le point de brasage à l'azote pendant le processus de brasage.
 - Effectuez un test d'étanchéité avant de charger du réfrigérant.
 - Remontez les boîtiers scellés avec précision. Si les joints sont usés, remplacez-les.
 - Vérifiez les équipements de sécurité avant la mise en service.
- d) Mise hors service
- Si la sécurité est affectée lorsque l'équipement est mis hors service, la charge de réfrigérant doit être retirée avant la mise hors service.
 - Assurez une ventilation suffisante à l'emplacement de l'équipement.
 - Sachez qu'un dysfonctionnement de l'équipement peut être causé par une perte de réfrigérant et qu'une fuite de réfrigérant est possible.
 - Déchargez les condensateurs de manière à ne causer aucune étincelle.
 - Retirez le fluide frigorigène. Si la récupération n'est pas exigée par les réglementations nationales, vidangez le réfrigérant vers l'extérieur. Veillez à ce que le réfrigérant drainé ne présente aucun danger. En cas de doute, une personne doit observer la sortie. Veillez à ce que le réfrigérant drainé ne retourne pas dans le bâtiment.
 - Évacuez le circuit frigorifique.
 - Purgez le circuit de réfrigérant à l'azote pendant 5 minutes.
 - Évacuez à nouveau.

- Versez l'azote jusqu'à la pression atmosphérique.
 - Placez une étiquette sur l'équipement indiquant que le réfrigérant est retiré.
- e) Mise au rebut
- Assurez une ventilation suffisante sur le lieu de travail.
 - Retirez le fluide frigorigène. Si la récupération n'est pas exigée par les réglementations nationales, vidangez le réfrigérant vers l'extérieur. Veillez à ce que le réfrigérant drainé ne présente aucun danger. En cas de doute, une personne doit observer la sortie. Veillez à ce que le réfrigérant drainé ne retourne pas dans le bâtiment.
 - Évacuez le circuit frigorifique.
 - Purgez le circuit de réfrigérant à l'azote pendant 5 minutes.
 - Évacuez à nouveau.
 - Découpez le compresseur et vidangez l'huile.

Transport, marquage et stockage pour les unités utilisant des réfrigérants inflammables

Transport d'équipements contenant des frigorigènes inflammables

L'attention est attirée sur le fait que des réglementations supplémentaires en matière de transport peuvent exister pour les équipements contenant des gaz inflammables. Le nombre maximal d'équipements ou la configuration des équipements pouvant être transportés ensemble sera déterminé par les réglementations de transport applicables.

Marquage de l'équipement à l'aide de panneaux

Les panneaux relatifs à des appareils similaires utilisés dans une zone de travail sont généralement régies par les réglementations locales et définissent les exigences minimales en matière de signalisation de sécurité et / ou de santé pour un lieu de travail .

Tous les panneaux requis doivent être entretenus et les employeurs doivent veiller à ce que les employés reçoivent des instructions et une formation appropriées et suffisantes sur la signification des panneaux de sécurité appropriés et sur les mesures à prendre en relation avec ces panneaux.

L'efficacité des panneaux ne doit pas être diminuée par un trop grand nombre de panneaux placés ensemble. Tous les pictogrammes utilisés doivent être aussi simples que possible et ne contenir que des détails essentiels.

Mise au rebut des équipements utilisant des réfrigérants inflammables

Reportez-vous aux réglementations nationales.

Rangement des équipements / appareils

Le stockage de l'équipement doit être conforme aux instructions du fabricant.

Stockage du matériel emballé (invendu)

La protection de l'emballage de stockage doit être conçue de manière à ce que les dommages mécaniques causés à l'équipement à l'intérieur de l'emballage ne provoquent pas une fuite de la charge de réfrigérant.

Le nombre maximal d'équipements pouvant être stockés ensemble sera déterminé par la réglementation locale.

Tack för att du har valt en av våra produkter. Läs igenom instruktionerna noga innan du använder produkten, så att du använder den på rätt sätt.

VIKTIGA INSTRUKTIONER

När du använder elektriska produkter bör du alltid vidta försiktighetsåtgärder för att minska risken för brand, elstötar, brännskador och andra skador.

1. Läs igenom och spara dessa instruktioner. Obs! Bilderna häri är endast för referens.
2. Denna apparat får användas av barn från 8 års ålder, personer med nedsatt fysisk, sensorisk eller mental förmåga eller personer med brist på erfarenhet och kunskap om de övervakas eller fått instruktioner angående användningen av apparaten på ett säkert sätt och förstår riskerna.
3. Barn får inte leka med apparaten.
4. Rengöring och underhåll av apparaten får inte göras av barn utan vuxens tillsyn.
5. Om sladden är skadad måste den bytas ut av tillverkaren, en av tillverkaren godkänd reparatör eller liknande kvalificerad person för att undvika faror.
6. Använd produkten endast inomhus.
7. Använd inte enheten i områden där: den är nära brandkällor, där olja kan skvätta, den utsätts för direkt solljus, där vatten kan skvätta, i en tvättstuga, dusch eller nära en simbassäng.
8. För aldrig in fingrar, pinnar i luftutloppet. Var särskilt noga med att informera barn om dessa faror.
9. Håll enheten upprätt under transport och förvaring så att kompressorn är korrekt inriktad.
10. Stäng alltid av och dra koppla ur strömförsörjningen innan du sätter ihop, rengör eller flyttar enheten.

11. För att undvika brandfara skall aldrig apparaten täckas över.
12. Alla kontakter till luftkonditioneringen måste uppfylla lokala elektriska säkerhetskrav. Om så behövs, kontrollera om det uppfyller kraven.
13. Apparaten skall installeras i enlighet med nationella elinstallationsbestämmelser.
14. Detaljer om typ är märkning av säkringar: T, 250V AC, 3,15A.
15. Kontakta en auktoriserad servicetekniker för reparation eller underhåll av denna enhet.
16. Dra inte i, deformera eller modifiera strömssladden eller sänk ner den i vatten. Att dra i eller missbruka strömssladden kan resultera i skador på enheten och orsaka elektriska stötar.
17. Uppfyllelse av nationella gasbestämmelser skall iakttas.
18. Service skall endast utföras såsom rekommenderas av utrustningens tillverkare. Underhåll och reparation som kräver assistans av annan kunnig personal skall utföras under översikt av personen som är kompetent för användning av brandfarliga kylmedel.
19. Använd inte eller stoppa enheten genom att sätta i eller dra ut elkontakten, det kan orsaka elstötar eller brand på grund av generering av hetta.
20. Koppla ifrån enheten om det avger konstiga ljud, lukt eller rök kommer från den.
21. Anslut alltid enheten till ett jordat uttag.
22. Vid skada, stäng av omkopplaren, koppla ifrån strömförsörjningen och kontakta ett auktoriserat servicecenter för reparation.
23. Snabba inte på avfrostningen med några hjälpmedel eller för rengöring andra än de processer som rekommenderas av tillverkaren.
24. Apparaten skall förvaras i ett rum utan kontinuerligt arbetande gnistkällor (exempelvis öppna lågor, en arbetande elektrisk värmeapparat).
25. Stick inte hål eller bränn.

26. Var medveten om att kylmedel kanske inte innehåller någon lukt.
27. Denna apparat innehåller R290 kylmedelsgas. R290 är en kylmedelsgas som uppfyller de europeiska direktiven för miljön. Punktera inte någon del av kylmedelskretsen.
28. Om apparaten har installerats, används eller förvaras i ett oventilerat rum måste rummet vara designat för att förhindra ackumulering av läckande kylmedel vilket resulterar en brandrisk eller explosion på grund av antändning av kylmedlet vilket orsakas av elektriska värmare, spisar eller andra källor för antändning.
29. Apparaten måste förvaras på ett sätt så att mekaniska fel förhindras.
30. Personer som hanterar eller arbetar med kylkretsen måste ha lämplig certifiering utgiven av en ackrediterad organisation som garanterar kompetensen för hantering av kylmedel i enlighet med en specifik utvärdering som erkänns i samarbete med industrin.
31. Reparationer måste utföras baserat på rekommendationerna från det tillverkande företaget. Underhåll och reparationer som kräver assistans av annan kvalificerad person måste utföras under övervakning av en person som specificerats i användning av brandfarliga kylmedel.
32. Beträffande instruktioner för reparation av apparater som innehåller R290, se nedanstående stycken.
33. Låt alltid apparaten vila minst 2 timmar efter att den flyttas från en plats till en annan.



Varning: Risk för brand/Brandfarligt material.



Läs igenom bruksanvisningarna.



Bruksanvisning; driftinstruktioner.



Serviceindikator, läs tekniska manualen.

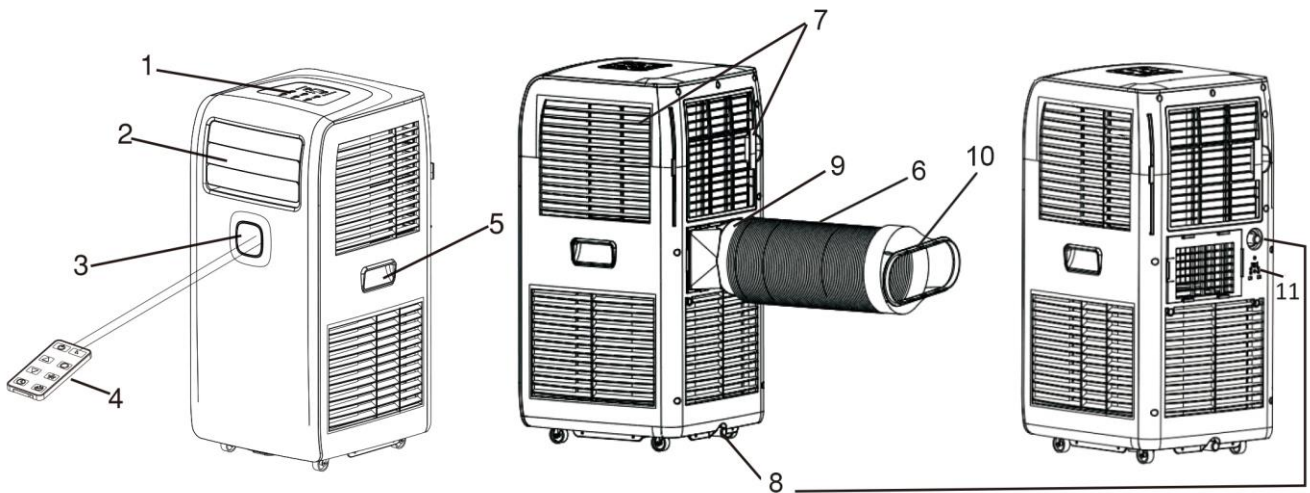
Varning: Håll ventilationsöppningarna fria från tilltäppning.

Varning: Apparaten skall förvaras i väl ventilerade områden där rumsstorleken motsvarar rumsarean som specificerats för drift.

Avståndet som krävs runt enheten skall vara minst 30 cm.

Apparaten skall installeras, hanteras och förvaras i ett rum med en golvyta som är större än 7.9 m².

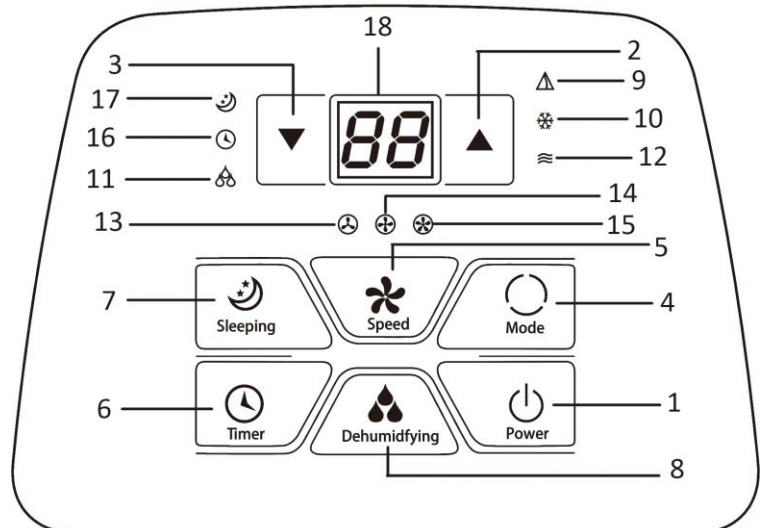
BESKRIVNING AV DELAR



1. Kontrollpanel
2. Luftutblås och ventilationsgaller
3. Signalreceptor
4. Fjärrkontroll
5. Handtag
6. Utblåsslång luft
7. Luftinlopp och luftfilter
8. Tömningsport (isatt med ett stopp)
9. Slanganslutning
10. Fönsteradapter
11. Universalkontakthål (använd för att förvara kontakten)

Kontrollpanel

1. Strömknapp
2. Temperatur-/timerknapp för ökning
3. Temperatur-/timerknapp för minskning
4. Lägesknapp
5. Hastighetsknapp för fläkt
6. Timer-knapp
7. Sov-knapp
8. Avfuktningknapp
9. Indikatorlampa auto-läge
10. Indikatorlampan kyläge
11. Indikatorlampa avfuktningläge
12. Indikatorlampa fläkt
13. Indikatorlampan för låg fläkthastighet
14. Indikatorlampa medelhastighet
15. Indikatorlampan timer
16. Indikatorlampan sovläge
17. Digitaldisplay



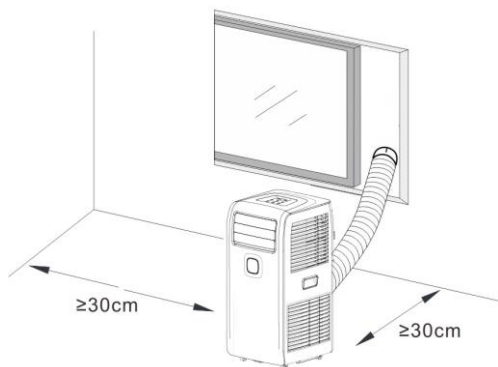
Fjärrkontroll

Denna enhet har en fjärrkontroll. Ett batteri av modell CR2025 används till fjärrkontrollen. Innan fjärrkontrollen börjar användas, ta bort plastskyddet från batteriet. Om du vill byta batterierna, se instruktionerna på baksidan av fjärrkontrollen. Om den inte skall användas under en längre period, ta ut batteriet från fjärrkontrollen. Håll knappcellsbatterier utom räckhåll för små barn.

Funktionerna hos knapparna på fjärrkontrollen har samma funktioner som knapparna på kontrollpanelen.

INSTALLATION

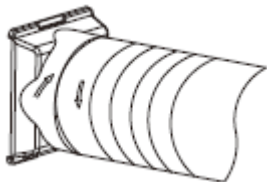
- Enheten skall installeras på en plan yta där luftutblåset inte kommer att blockeras. Avståndet som krävs runt enheten skall vara minst 30 cm.



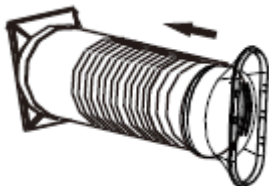
- Enheten ska inte installeras i en tvättstuga.
- Förläng luftutblåsslängen genom att dra ut den två ändarna på slangen.



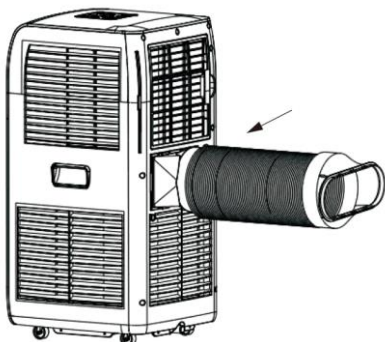
- Skruva in luftutblåsslängen i slanganslutningen.



- Skruva fast den andra änden av luftutblåsslängen i fönsteradaptorn.



- Sätt in slanganslutningen i konsolen på baksidan av enheten.



ANVÄNDNING

*Låt alltid apparaten vila minst 2 timmar efter att den flyttas från en plats till en annan.

Innan användning, kontrollera att utblåsslangen har monterats korrekt. Anslut apparaten till eluttaget. Öppna ventilationsgallret innan apparaten slås på.

1. Strömknapp

Tryck på strömbrytaren för att slå på apparaten. Rumstemperaturen visas på displayen. Apparaten börjar att arbeta.

Tryck på knappen igen, apparaten kommer nu att stängas av.

2. Temperatur-/timerknapp för ökning och temperatur-/timerknapp för minskning

Tryck på knappen "▲"/"▼" för att ställa in önskad rumstemperatur från 15 °C till 31 °C. Knapparna kan också användas för inställning av timer under timerinställning. Värdet kommer att öka/minska med by 1 (°C /timme) för varje tryckning.

3. Knapp för fläkthastighet

Tryck på knappen för fläkthastighet för att ändra fläkthastigheten mellan låg, mellan och hög.

Motsvarande indikatorlampa "🌀"/"🌀"/"🌀" kommer att lysa.

4. Lägesknapp

Tryck på lägesknappen för att välja önskat arbetsläge mellan AUTO, kylning och fläkt. Motsvarande indikatorlampa kommer att tändas när det specifika läget valts.

- Auto-läge

I AUTO-läge kommer sensorn för inomhustemperatur att arbeta automatiskt för att välja önskad drift med kylning eller fläkt: när inomhustemperaturen inte är under 24 °C kommer enheten automatiskt att välja kyläge och när rumstemperaturen är lägre än 24 °C kommer enheten automatiskt att välja fläktläge.

- Kyläge

När rumstemperaturen är högre än inställd temperatur kommer kompressorn att starta.

När rumstemperaturen är lägre än inställd temperatur stoppar kompressorn och fläkten arbetar med ursprunglig inställd hastighet.

Notera: När kompressorn arbetar kommer enheten att vibrera något. Detta är normalt och är ofarligt.

- Fläktläge

När fläkten körs på inställd hastighet körs inte kompressorn.

Inställning av temperaturen i fläktläge går inte.

5. Avfuktning

- Tryck på avfuktningsknappen för att slå på produkten. Fläkten körs med låg hastighet. Fläkthastigheten och temperaturen kan inte ändras.
- Kompressorn stoppar efter åtta minuters körtid och körs igen efter sex minuter.
- Tryck på lägesknappen för att ändra mellan AUTO/kylning/fläktläge.

6. Timer-knapp

Inställning automatisk påslagning

- När apparaten är avstängd, tryck på timerknappen, timerindikatorlampan kommer att blinka.
- Tryck på knappen för att öka eller minska för att välja en önskad automatisk påslagningstid från 1 till 24 timmar. Timerns indikatorlampa kommer att blinka i flera sekunder och sedan lysa med fast sken,

den digitala displayen kommer att vara avstängd. Timerinställningen är bekräftad.

- Du kan välja fläkthastigheten och läget samtidigt.
- Apparaten kommer att slås på automatiskt när den valda tiden har passerats.

Inställning automatisk avstängning

- När apparaten är påslagen, tryck på timerknappen, timerindikatorlampan kommer att blinka.
- Tryck på knappen för att öka eller minska för att välja en önskad automatisk avstängningstid från 1 till 24 timmar. Timerns indikatorlampa kommer att blinka i flera sekunder och sedan lysa med fast sken, den digitala displayen kommer att visa rumstemperaturen. Timerinställningen är bekräftad.
- Apparaten kommer att stängas av automatiskt den valda tiden har passerats.

För att avbryta timern, ställ in timern på 0 timmer eller tryck in timerinställningen och när den digitala displayen blinkar tryck igen på timerknappen. Timerindikatorlampan kommer att slockna.

7. Sovknapp (endast aktiv i kyläge)

Tryck på sovknappen för att aktivera sovläget. Sovindikatorlampan sovläge tänds.

I sovläge körs fläkten med låg hastighet automatiskt. Den inställda temperaturen kommer att öka med 1 °C efter en timmer och öka med 2 °C efter två timmar. Efter sex timmar kommer apparaten att sluta köras automatiskt och stängas av.

NOTERA:

- Skyddsensheten kan lösas ut och stoppa apparaten under de förhållanden som listas nedan.

Kylning	Rumstemperaturen är över 43 °C.
	Rumstemperaturen är under 15 °C.
Avfuktning	Rumstemperaturen är under 15 °C.

- Om apparaten körs i kyläge eller avfuktningläge med dörren eller fönstret öppet under lång tid när den relativa luftfuktigheten är över 80 %, kan fukt droppa ned från luftutloppet.

Tömma vatten

- 1) Särskild påminnelse: Det finns kondensvattenåtervinning dold i denna apparat. Kondensvattnet återvinns delvis mellan kondensorn och vattenbrickan. När vattennivån når upp till den övre nivån kommer koden vatten fullt "E4" att visas på den digitala displayen för att påminna om att tömma ut vattnet.
- 2) Stäng av strömförsörjningen, flytta apparaten till en lämplig plats, dra ut stoppet in tömningsporten och töm ut allt vatten. Om förhållandena så tillåter kan du också ansluta tömningslagen till tömningsporten för vattentömningen. Denna apparat har två tömningsuttag.
- 3) Efter tömningen, sätt tillbaka stoppet i tömningsporten, i annat fall kan apparaten läcka ut i rummet.

RENGÖRING OCH UNDERHÅLL

- Innan rengöring, se till att koppla ifrån apparaten från alla elektriska anslutningar.
- Använd inte bensin eller andra kemikalier för att rengöra apparaten.
- Spola inte direkt på apparaten.
- Om apparaten är skadad, kontakta återförsäljaren eller en reparationsverkstad.

Luftfilter

Om luftfiltret blir igensatt med damm/smutsdamm, rengör det då varannan vecka.

- Dra ut luftfiltret genom att dra i fliken.
- Rengör luftfiltret med ett neutralt rengöringsmedel i ljummet vatten (< 40 °C) och låt det torka
- Sätt tillbaka luftfiltret.



Rengöra ytan

Rengör först ytan med ett neutralt rengöringsmedel och våt trasa. Torka sedan av den med en torr trasa.

FELSÖKNING

Problem	Möjlig orsak	Lösningar
Inte tillräckligt kyla.	Dörrarna och fönstren är inte stängda.	Se till att alla fönster och dörrar är stängda.
	Det finns värmekällor i rummet.	Ta, om möjligt, bort värmekällorna.
	Utblåsslangen för hetluft är inte ansluten eller blockerad.	Anslut eller rengör utblåsslangen för hetluft.
	Temperaturinställningen är alltför hög.	Återställ temperaturen.
	Luftinlopp/luftutblåset är blockerat.	Rengör luftinlopp/-utblåset.
Buller	Underlaget är inte jämnt eller tillräckligt plant.	Placera, om möjligt, apparaten på en plan och jämn yta.
	Ljudet kommer från flödet av kylmedel inuti apparaten.	Det är normalt.
Kod "E2" på den digitala displayen	Sensorn för rumstemperaturen är felaktig.	Byt sensorn för rumstemperaturen behövs, kontakta en auktoriserad servicetekniker för reparation.
Kod "E3" på den digitala displayen	Sensorn för avdunstningstemperaturen är felaktig.	By sensorn för avdunstningstemperaturen. Kontakta en auktoriserad servicetekniker för reparation.
Kod "E4" på den digitala displayen	Varning för full vattenbehållare.	Töm ut vattnet.

TEKNISKA DATA

Nedanstående data för driftreferens

Modell	PAC-125152
Märkspänning	220-240V
Märkfrekvens	50Hz
Märkeffekt	950W
Märkström	4.3A
Kylkapacitet	9000BTU
Fuktborttagning (L/H)	1.0
Luftflöde	300m ³ /h

ERP-INFORMATION

	Värde
Varumärke	Emerio
Modellidentifikation	PAC-125152
Ljudeffekt (kylning)	64.3dB(A)
Namn på kylmedel	R290
Märkeffekt inmatning för kylning (kW)	0.95
Märkenergi effektivförhållande	2.6
GWP (kgCO ₂ eq)	3
Märkenergi effektivklass	A
Energiförbrukning för apparater med dubbla rör (kWh/h)	-

Energiförbrukning för apparater med enkelrör (kWh/h)	0.96
Energiförbrukning i termostat vi avstängt läge (W)	-
Energiförbrukning i standby-läge (W)	0.43
Kylkapacitet	9000BTU
<p>Kylmedelsläckage bidrar till klimatförändringar. Kylmedel med lägre global uppvärmningspotential (global warming potential/GWP) kan bidra till mindre global uppvärmning än ett kylmedel med högre GWP, om den läcker ut i atmosfären. Denna apparat innehåller en kylmedelsvätska med ett GWP likvärdig med 3. Det betyder att om 1 kg av denna kylmedelsvätska läcker ut i atmosfären kommer påverkan för den globala uppvärmningen att vara 3 gånger högre än 1 kg CO₂ över en period på 100 år. Försök aldrig att själv försöka att påverka kylmedelskretsen eller demontera själva produkten utan fråga alltid en expert.</p> <p>#Energiförbrukning 0.96 kWh för modell PAC-125152 vid 60 minuters användning under standardförhållanden. Den verkliga energiförbrukning beror på hur enheten används och var den är placerad.</p> <p>För ytterligare information, kontakta: Emerio Holland B.V. Zomervaart 1A 2033 DA Haarlem The Netherlands</p> <p>Kundservice: T: +31(0)23 3034369 E: info.nl@emerio.eu</p>	

GARANTI OCH KUNDTJÄNST

Innan leverans genomgår våra apparater en sträng kvalitetskontroll. Om det trots detta skulle uppstå någon skada på produktionen eller vid transporten, ber vi dig att ta med apparaten tillbaka till inköpsstället. Förutom de i lag fastställda garantianspråken har köparen möjlighet att göra gällande följande anspråk på garanti:

För den köpta apparaten ges 2 års garanti, med början på inköpsdagen.

Brister som uppstår genom felaktig hantering av apparaten och fel som uppstår genom ingrepp och reparationer av tredje man eller montering av främmande delar, omfattas ej av vår garanti. Behåll alltid ditt kvitto då det är din garanti vid eventuell reklamation. Skador som uppstår p.g.a. att instruktionsmanualen inte följs ogiltigförklarar garantin och om detta leder till påföljande skador så kan inte vi hållas ansvariga. Vi kan inte hållas ansvariga för materiella skador eller personskador som orsakas av felaktig användning eller om inte säkerhetsföreskrifterna följs. Skador på tillbehören innebär inte per automatik ersättning av hela apparaten. I sådana fall ska du kontakta vår kundservice. Trasigt glas och trasiga plastdelar innebär alltid en kostnad. Defekter på förbrukningsartiklar eller slitdelar och även skador orsakade av rengöring, underhåll eller byte av tidigare nämnda delar täcks inte av garantin och ska således betalas av ägaren.

MILJÖVÄNLIG KASSERING



Återvinning – EU-direktiv 2012/19/EU

Denna markering indikerar att produkten inte får kastas tillsammans med övrigt hushållsavfall. För att förhindra eventuell skada på miljön eller människors hälsa på grund av okontrollerad avfallshantering, återvinns de på ett ansvarsfullt sätt som främjar en hållbar återanvändning av materiella resurser. För att återlämna den använda enheten, använd retur- och insamlingssystem eller kontakta återförsäljaren där produkten var köpt. De kan ta denna produkt för miljösäker återvinning.



BATTERIET MÅSTE ÅTERVINNAS ELLER KASSERAS PÅ ETT KORREKT SÄTT. FÅR INTE ÖPPNAS. FÅR INTE KASSERAS I ÖPPEN ELD ELLER KORTSLUTAS.

Emerio Holland B.V.
Zomervaart 1A
2033 DA Haarlem
The Netherlands

Kundservice:

T: +31(0)23 3034369
E: info.nl@emerio.eu

INSTRUKTIONER FÖR REPARATION AV APPARATER SOM INNEHÅLLER R290

1. Service

1) Kontroller för området

Innan arbete påbörjas på system som innehåller antändbara kylmedel är det nödvändigt med säkerhetskontroller för att garantera att risken för antändning är minimerad. För reparationer av kylsystem skall följande säkerhetsåtgärder uppfyllas innan arbete påbörjas på systemet.

2) Arbetsprocedur

Arbete skall under en kontrollerad procedur frö att minimera risken att brännbara gaser eller ånga finns närvarande när arbetet påbörjas.

3) Allmänt arbetsområde

All underhållspersonal och andra som arbetar i närheten skall instrueras om typ av arbete som skall utföras. Arbete i slutna utrymmen skall undvikas. Området runt arbetsplatsen skall spärras. Se till att det inom området har säkrats genom att kontrollera om det finns brännbara material.

4) Kontrollera om det finns kylmedel i närheten.

Området skall kontrolleras med en lämplig detektor för kylmedel innan och under arbetet för att garantera att teknikern är medveten om potentiellt brännbar atmosfär. Se till att utrustning för läckagedetektering som använd är lämplig för användning med brännbara kylmedel, d.v.s. är icke-gnistbildande, adekvat förseglade eller i sig självt är säkra.

5) Att brandsläckningsutrustning finns i närheten.

Om någon värmebearbetning skall utföras på kylutrustningen eller någon tillhörande del skall lämplig brandsläckningsutrustning finnas tillgänglig. Ha brandsläckare med torrt pulver eller kolsyra i närheten av arbetsområdet.

6) Inga antändningskällor

Inga personer som utför arbete på kylsystem som involverar exponering av rör som innehåller eller har innehållit antändbart kylmedel skall inte använda någon form av antändningskällor på ett sådant sätt att det kan leda till risk för brand eller explosion. Alla tänkbara antändningskällor, inklusive cigarettrökning, skall hållas tillräckligt långt från platsen för installationen, reparationen, borttagning och avyttring under vilka antändbart kylmedel kan komma ut i omgivningen. Innan arbete starta måste området runt utrustningen granskas för att vara säker på att det inte finns några risker för brand eller antändning. Skylten "Rökning förbjuden" skall visas.

7) Ventilerat område

Se till att området är öppet eller att det är tillräckligt ventilerat innan systemet öppnas eller heta arbeten utförs. En viss ventilation skall finnas under tiden som arbetet utförs. Ventilationen skall på ett säkert sätt ventileras bort allt frisläppt kylmedel och helst släppa ut det i atmosfären.

8) Kontroll av kylutrustningen

När elektriska komponenter byts ut skall de passa för dess syfte och har korrekt specifikation. Tillverkarens underhålls- och serviceriktlinjer skall alltid följas. Vid tveksamheter, rådfråga tillverkarens tekniska avdelning för hjälp.

Följande kontroller skall gälla för installationer med antändningsbara kylmedel:

- Laddningsstorleken är i enlighet med rumsstorleken där kylanläggningens delar är installerad;
- Ventilationsmaskineriet och utlopp fungerar korrekt och inte är hindrade;
- Om en indirekt kylkrets används skall den andra kretsen kontrolleras om den innehåller kylmedel;
- Markeringar på utrustningen skall fortsätta vara synlig och läslig. Markeringar och skyltar som är läsliga skall vara korrekta;
- Kylrör eller komponenter är installerade i en position där de inte kan utsättas för några substanser som kan fräta på kylanläggningars komponenter, såvida inte komponenterna består av material som i sig är motståndskraftiga mot frätning eller är lämpligt skyddade mot frätning.

9) Kontroll av elektriska enheter

Reparationer och underhåll av elektriska komponenter skall inkludera initial säkerhetskontroll och inspektion av komponenter. Om det finns ett fel som påverkar säkerheten skall ingen elektrisk anslutning göras till enheten innan felet hanterats på ett tillfredsställande sätt. Om felet inte kan korrigeras men det är nödvändigt att fortsätta driften skall en adekvat temporär lösning användas. Detta skall rapporteras till ägaren av utrustningen så att alla parter är informerade. Initiala säkerhetskontroller skall inkludera:

- Att kondensatorer är urladdade: detta skall göras på ett säkert sätt för att undvika eventuell gnistbildning;
- Att det inte finns några strömförande elektriska komponenter och ledningar exponerade för laddning, återvinning eller avluftning av systemet;
- Att det inte finns någon kontinuitet av jordbindning.

2. Reparation av gastäta komponenter

1) Under reparation av gastäta komponenter skall alla elektriska anslutningar vara fränkopplade från utrustningen som arbetas med innan några förseglade luckor tas bort etc. Om det är absolut nödvändigt att ha strömanslutning till utrustningen under servicen skall en permanent fungerar form av läckagedetektering vara placerad vid den mest kritiska punkten för att varna för en potentiellt farlig situation.

2) Särskild uppmärksamhet skall riktas på följande för att garantera att vid arbete med elektriska komponenter skall höljen inte ändras på ett sådant sätt att skyddsnivån påverkas. Detta skall inkludera skador på kablar, överdrivet antal anslutningar, terminaler som inte skapats enligt ursprungsspecifikationer, skador på förseglingar, felaktig fastsättning av packningsringar etc.

Se till att apparaten är monterade säkert. Se till att gastätningar eller tätningsmaterial inte har slitits så att de inte längre fyller sitt syfte med att förhindra åtkomst till brännbar atmosfär. Byte av delar skall ske i enlighet med tillverkarens specifikationer.

NOTERA: Användning av silikontätningsmedel kan hämma effektiviteten mot vissa typer av utrustningar för läckagedetektering. Verkligt säkra komponenter behöver inte isoleras innan arbete utförs på dem.

3. Reparation av verkligt säkra komponenter

Använd inga permanent induktiva eller kapacitansbelastningar till kretsen utan att se till att det inte överskrider tillåtna spänningen och strömmen som är tillåtet för utrustningen som används. Verkligt säkra komponenter är de endast typerna som kan arbeta på strömförande vid närvaro av antändbar atmosfär. Testapparaten skall ha korrekt märkdata. Byt endast komponenter mot delar som specificerats av tillverkaren. Andra delar kan resultera i antändning av kylmedel i atmosfären från en läcka.

4. Kablar

Kontrollera att kablarna inte utsätts för slitage, överdrivet tryck, vibrationer, vassa kanter eller andra skadliga miljöeffekter. Kontrollen skall också ta med effekterna av åldrande eller kontinuerliga vibrationer från källor såsom kompressorer eller fläktar.

5. Detektering av brandfarliga kylmedel

Under inga omständigheter skall potentiella källor för antändning användas för att söka efter eller för att detektera kylmedelsläckage. En läcksökningslampa (eller någon annan detektor som använder en öppen låga) skall inte användas.

6. Metoder för läckagedetektering

Följande metoder för läckagedetektering bedöms acceptabla för system som innehåller antändbara kylmedel. Elektroniska läckagedetektorer skall användas för att detektera antändningsbara kylmedel, men känsligheten kanske inte är adekvat eller kan behöva återkalibreras. (Detekteringsutrustning skall kalibreras i ett

kylmedelsfritt område.) Se till att detektorn inte är en potentiell källa för antändning och att den är lämplig för kylmedlet som används. Utrustning för läckagedetektering skall ställas in på ett procenttal av LFL för kylmedlet och skall kalibreras till kylmedlet som används om det ungefärliga procenttalet för gas (25 % maximalt) är bekräftat. Läckagedetektering av vätskor är lämplig att användas med de flesta kylmedel men användning av kylmedel som innehåller klor skall undvikas eftersom klor kan reagera med kylmedlet och fräta på kopparrören. Om det misstänks finnas en läcka skall alla öppna lågor tas bort/släckas. Om ett läckage av kylmedel hittas som kräver hårdlödning skall allt kylmedel tömmas från systemet eller isoleras (med hjälp av avstängningsventiler) i en del av systemet fjärran från läckaget. Syrefritt kvävgas (Oxygen free nitrogen/OFN) skall sedan rena systemet både innan och under hårdlödningsprocessen.

7. Borttagning och evakuering

När man tar sig in i kylsystemkretsen för reparation - eller för något annat syfte - skall konventionella procedurer användas. Emellertid är det viktigt att bästa praxis följs eftersom antändligheten bör beaktas. Följande procedurer skall följas:

- Ta bort kylmedel;
- Rena kretsen med inaktiv gas;
- Evakuera;
- Rengör igen med inaktiv gas;
- Öppna kretsen genom skärning eller hårdlödning.

Kylmedlet skall återvinnas i korrekta återvinningsbehållare. Systemet skall "sköljas" med OFN för att göra enheten säker. Denna process kan behöva upprepas flera gånger. Tryckluft eller syre skall inte användas för denna uppgift. Sköljning skall uppnås genom att bryta vakuumet i systemet med OFN och fortsätta att fylla på tills arbetstrycket uppnåtts, sedan ventileras ut i atmosfären och slutligen dra ned till ett vakuum. Denna process skall upprepas tills inget kylmedel finns kvar i systemet. När den slutliga OFN laddningen använd skall systemet ventileras ned till atmosfärstryck för att möjliggöra att arbetet kan ske. Detta arbete är absolut livsnödvändigt om hårdlödningsarbete ska kunna ske på rörarbetet. Se till att utloppet för vakuumpumpen inte är nära några antändningskällor och att det finns ventilation tillgänglig.

8. Laddningsprocedur

Förutom konventionella laddningsprocedurer skall följande krav följas.

- Se till att kontaminering av olika kylmedel inte uppstår när laddningsutrustningen används. Slangar och ledningar skall vara så korta som möjligt för att minimera mängden kylmedel i dessa.
- Cylindrar skall hållas upprätt.
- Se till att kylmedelssystemet är jordat innan systemet laddas med kylmedel.
- Märk systemet när laddningen är klar (om det inte redan är gjort).
- Extrem försiktighet gäller så att kylsystemet inte överfylls.

Innan laddningen av systemet skall det provtryckas med OFN. Systemet skall läckagetestas när laddningen är klar men innan driftsättning. Ett efterföljande läckagetest skall utföras innan anläggningen lämnas.

9. Stängning

Innan denna procedur utförs är det väsentligt att teknikern är fullständigt förtrogen med utrustningen och alla dess detaljer. Det rekommenderas att god praxis är att alla kylmedel återvinns på ett säkert sätt. Innan uppgiften utförs skall ett olje- och kylmedelsprov tas om en analys krävs innan det återvunna kylmedlet återanvänds. Det är väsentligt att den elektriska strömmen finns tillgänglig innan uppgiften startar.

- a) Bli förtrogen med utrustningen och dess hantering.
- b) Isolera systemet elektriskt.
- c) Innan proceduren startas, se till att:
 - Mekaniskt hanterad utrustning finns tillgänglig, om den krävs för hantering av kylmedelscylindrarna;

- All personals skyddsutrustning finns tillgänglig och används korrekt;
 - Återvinningsprocessen övervakas hela tiden av en kompetent person;
 - Återvinningsutrustning och cylindrar uppfyller lämplig standard.
- d) Pumpa ned kylsystemet om möjligt.
 - e) Om vakuum inte är möjligt, gör ett samlingsrör så att kylmedel kan tas bort från olika delar av systemet.
 - f) Se till att cylindrarna är placerad på skalan innan återvinning sker.
 - g) Starta återvinningsmaskinen och arbeta in enlighet med tillverkarens instruktioner.
 - h) Överfyll inte cylindrarna. (Inte mer än 80 % volym vätskeladdning).
 - i) Överskrid inte maximalt arbetstryck hos cylindern, inte ens temporärt.
 - j) När alla cylindrar har fyllts korrekt och processen är klar, se till att cylindrarna och utrustningen tas bort från anläggningen omedelbart och att alla isoleringsventiler är stängda.
 - k) Återvunnet kylmedel skall inte laddas i ett annat kylsystem såvida inte det har rengjort och kontrollerats.

10. Märkning

Utrustning skall märkas där det fastslås att den har avbrutits och tömts på kylmedel. Märkningen skall vara daterad och undertecknad. Se till att det finns märkning på utrustningen som fastställer att utrustningen innehåller antändbart kylmedel.

11. Återvinning

När kylmedel tas bort från ett system, antingen för service eller stängning rekommenderas god praxis att allt kylmedel tas bort på ett säkert sätt. Vid överföring av kylmedel till cylindrar, se till att endast lämpligt antal återvinningscylindrar för kylmedel används. Se till att tillräckligt antal cylindrar som klarar av att hålla hela systemets laddning finns tillgängliga. Alla cylindrar som skall användas är avsedda för det återvunna kylmedlet och märkt för det kylmedlet (d.v.s specialcylindrar för det återvunna kylmedlet). Cylindrar skall vara kompletta med tryckventiler och associerade avstängningsventiler som fungerar. Tomma återvinningscylindrar är tömda och, om möjligt, kyllda innan återvinningen sker. Återvinningsutrustningen skall fungera bra och ha en uppsättning med instruktioner beträffande utrustningen som används och skall vara lämplig för återvinning av brandfarliga kylmedel. Dessutom skall en uppsättning med vågar finnas tillgängliga och fungera. Slangar skall vara kompletta med läckagefria kopplingar och i god kondition. Innan återvinningsmaskinen används, kontrollera att den fungerar på ett tillfredsställande sätt, har underhållits korrekt och att alla associerade elektriska komponenter är förseglade för att förhindra antändning om kylmedel skulle läcka ut. Rådfråga tillverkaren vid tveksamheter. Det återvunna kylmedlet skall återlämnas till leverantören av kylmedlet i korrekt återvinningscylinder och relevant ordnad Waste Transfer Note (överföringsanteckning om avfall). Blanda inte kylmedel i återvinningsenheter och särskilt inte i cylindrar. Om kompressorer eller kompressorolja skall tas bort, se till att de har tömts till en acceptabel nivå för att vara säkra på att vissa brandfarliga kylmedel inte blir kvar i smörjmedlet. Tömningsprocessen skall utföras innan kompressorn returneras till leverantören. Endast elektrisk värme till kompressorn skall användas för att accelerera denna process. När oljan töms från ett system skall detta utföras på ett säkert sätt.

Kompetens hos servicepersonal

Allmänt

Specialutbildning förutom vanlig utbildning reparationsprocedurer av kylmedelsutrustning krävs när utrustning med brandfarligt kylmedel är involverat.

I många länder utförs denna utbildning av nationella utbildningsorganisationer som är ackrediterade att utbilda relevant nationell kompetensstandard som kan fastställas i lagstiftningen.

Den uppnådda kompetensen skall kunna dokumenteras med ett certifikat.

Utbildning

Utbildningen skall innehålla följande:

Information om explosionspotential för brandfarliga kylmedel för att fisa att brandfarligheten kan vara farlig när de hanteras ovarsamt.

Information om potentiella antändningskällor som inte är självklara, såsom tändare, ljusomkopplare, dammsugare, elektriska värmare.

Information om olika säkerhetskoncept:

Oventilerat – Säkerheten hos apparaten beror inte på ventilationen i höljet. Stänga av apparaten eller öppna höljet har ingen signifikant påverkan på säkerheten. Inte desto mindre är det möjligt att läckande kylmedel kan ackumuleras på insidan och brännbar atmosfär kommer att släppas ut när höljet öppnas.

Ventilerat hölje – Säkerheten hos apparaten beror på ventilationen i höljet. Stänga av apparaten eller öppna höljet har signifikant påverkan på säkerheten. Försiktighet gäller för att garantera att det finns tillräckligt ventilation.

Ventilerat rum – Säkerheten hos apparaten beror på ventilationen i rummet. Stänga av apparaten eller öppna höljet har ingen signifikant påverkan på säkerheten. Ventilationen i rummet skall inte stängas av under reparationsproceduren.

Information om konceptet med förseglade komponenter och förseglade inkapslingar i enlighet med IEC 60079-15:2010.

Information om korrekt arbetsprocedurer:

a) Igångsättning

- Se till att golvområdet är tillräckligt för kylmedelsladdning eller att ventilationsslangen är monterad på korrekt sätt.
- Anslut rören och gör ett läckagetest innan laddning med kylmedel.
- Kontrollera säkerhetsutrustningen innan enheten tas i bruk.

b) Underhåll

- Portabel utrustning skall repareras ute eller i en verkstad som är särskilt utrustad för service av enheter med brandfarliga kylmedel.
- Se till att det finns tillräcklig ventilation på reparationsplatsen.
- Var medveten om att funktionsfel hos utrustningen kan vara orsakade av förlust av kylmedel och en kylmedelsläcka kan vara möjlig.
- Ladda ur kondensatorer på ett sätt så att gnistor inte bildas. Standardproceduren för att kortsluta kondensatorers terminaler skapar vanligtvis gnistor.
- Återmontera förseglade områden korrekt. Om packningarna är slitna, byt.
- Kontrollera säkerhetsutrustningen innan enheten tas i bruk.

c) Reparation

- Portabel utrustning skall repareras ute eller i en verkstad som är särskilt utrustad för service av enheter med brandfarliga kylmedel.
- Se till att det finns tillräcklig ventilation på reparationsplatsen.
- Var medveten om att funktionsfel hos utrustningen kan vara orsakade av förlust av kylmedel och en kylmedelsläcka kan vara möjlig.
- Ladda ur kondensatorer på ett sätt så att gnistor inte bildas.
- När hårdlödning krävs skall följande procedurer utföras i rätt ordning:
 - Ta bort kylmedlet. Om återvinning inte krävs av nationella bestämmelser, töm ut kylmedlet ute. Se till att det uttömnda kylmedlet inte utgör någon fara. Vid tveksamheter skall en person skydda utloppet. Var särskilt försiktigt så att det uttömnda kylmedlet inte flyter tillbaka in i byggnaden.
 - Töm kylmedelskretsen.
 - Rensa kylmedelskretsen med nitrogen i fem minuter.
 - Töm igen.
 - Ta bort delar som skall bytas ut genom skärning, inte med lågor.
 - Rensa hårdlödningspunkten med nitrogen under hårdlödningsproceduren.

- Gör ett läckagetest innan laddning med kylmedel.
 - Återmontera förseglade områden korrekt. Om packningarna är slitna, byt.
 - Kontrollera säkerhetsutrustningen innan enheten tas i bruk.
- d) Stängning
- Om säkerheten påverkas när utrustningen tas ur drift, skall kylmedelsladdningen tas bort innan stängning.
 - Se till att det finns tillräcklig ventilation på utrustningsplatsen.
 - Var medveten om att funktionsfel hos utrustningen kan vara orsakade av förlust av kylmedel och en kylmedelsläcka kan vara möjlig.
 - Ladda ur kondensatorer på ett sätt så att gnistor inte bildas.
 - Ta bort kylmedlet. Om återvinning inte krävs av nationella bestämmelser, töm ut kylmedlet ute. Se till att det uttömnda kylmedlet inte utgör någon fara. Vid tveksamheter skall en person skydda utloppet. Var särskilt försiktigt så att det uttömnda kylmedlet inte flyter tillbaka in i byggnaden.
 - Töm kylmedelskretsen.
 - Rensa kylmedelskretsen med nitrogen i fem minuter.
 - Töm igen.
 - Fyll på med nitrogen upp till atmosfäriskt tryck.
 - Markera på utrustningen att kylmedlet har tagits bort.
- e) Avyttring
- Se till att det finns tillräcklig ventilation på arbetsplatsen.
 - Ta bort kylmedlet. Om återvinning inte krävs av nationella bestämmelser, töm ut kylmedlet ute. Se till att det uttömnda kylmedlet inte utgör någon fara. Vid tveksamheter skall en person skydda utloppet. Var särskilt försiktigt så att det uttömnda kylmedlet inte flyter tillbaka in i byggnaden.
 - Töm kylmedelskretsen.
 - Rensa kylmedelskretsen med nitrogen i fem minuter.
 - Töm igen.
 - Ta bort kompressorn och töm ut oljan.

Transport, märkning och förvaring av enheter som använder brandfarliga kylmedel

Transport av utrustning som innehåller brandfarliga kylmedel

Uppmärksamma att det kan finnas ytterligare transportbestämmelser med tanke på att utrustningen innehåller brännbara gaser. Maximalt antal delar av utrustningen eller konfiguration av utrustningen som tillåts att transporteras tillsammans avgörs av de tillämpliga transportbestämmelserna.

Märkning av utrustningen med skyltar

Skyltar för liknande apparater som används i arbetsområden styrs av lokala bestämmelser och ger minimikraven för ombesörjande av säkerheten och/eller hälsoskyltar för arbetsplatsen.

Alla skyltar som krävs skall bibehållas och anställda skall se till att anställda får lämpliga och tillräckliga instruktioner och utbildning i betydelsen av lämpliga säkerhetsskyltar och att åtgärder skall vidtas i anslutning till dessa skyltar.

Effektiviteten hos skyltarna skall inte döljas av att alltför många skyltar placeras tillsammans.

Alla piktogram som används skall vara så enkla som möjligt och endast innehålla väsentliga detaljer.

Avyttring av utrustning som innehåller brandfarliga kylmedel

Se nationella bestämmelser.

Förvaring av utrustning/apparater

Förvaring av utrustningen skall ske i enlighet med tillverkarens instruktioner.

Förvaring av förpackad (osåld) utrustning

Den förpackningens skydd skall vara konstruerat så att mekaniska skador på utrustningen inuti förpackningen inte orsakar läckage av kylmedelsladdningen.

Maximalt antal delar utrustningen som tillåts att förvaras tillsammans avgörs av lokala bestämmelser.

Van harte bedankt voor de aankoop van ons product. Gelieve deze handleiding en instructies aandachtig te lezen alvorens gebruik, om er zeker van te zijn dat u het product correct gebruikt.

BELANGRIJKE INSTRUCTIES

Als u elektrische toestellen gebruikt, dient u altijd de basisvoorzorgsmaatregelen op te volgen om het risico op brand, elektrische schokken, brandwonden en andere verwondingen te verkleinen.

1. Lees en bewaar deze gebruiksaanwijzing. Opgelet: de afbeeldingen in de gebruiksaanwijzing zijn louter indicatief.
2. Dit toestel mag gebruikt worden door kinderen vanaf de leeftijd van 8 jaar en door personen met verminderde fysieke, zintuiglijke of mentale capaciteiten of met gebrek aan ervaring of kennis, indien zij onder het toezicht staan of gebruiksinstructies voor het veilig gebruik van dit toestel gekregen hebben en de mogelijke gevaren begrijpen.
3. Kinderen mogen niet met dit toestel spelen.
4. Kinderen die niet onder toezicht staan, mogen dit apparaat niet reinigen of onderhouden.
5. Als het stroomsnoer beschadigd is, dan moet het vervangen worden door de fabrikant, diens dealer of een gekwalificeerde technicus om risico's te voorkomen.
6. Dit apparaat is uitsluitend bestemd voor binnenshuis gebruik.
7. Gebruik het toestel niet in de buurt van een vuurbron, in een zone waar olie kan opspatten, stel het niet bloot aan direct zonlicht en plaats het niet in een zone waar water kan opspatten, zoals in de buurt van een badkuip, douche of een zwembad, of in een wasruimte.

8. Steek nooit uw vingers of een stang in de luchtinlaat. Licht kinderen altijd over deze gevaren in.
9. Houd het toestel rechtop tijdens transport en opslag zodat de compressor niet wordt beschadigd.
10. Voordat u het toestel reinigt of verplaatst, schakel het altijd uit en haal de stekker uit het stopcontact.
11. Om brandgevaar te vermijden, dek het toestel nooit af.
12. Zorg dat het gebruikte stopcontact in overeenstemming is met de lokale voorschriften inzake elektrische veiligheid. Indien nodig, raadpleeg de voorschriften.
13. Installeer het apparaat in overeenstemming met de nationale bedradingsvoorschriften.
14. Details over het type en de waarde van de zekeringen: T, 250V AC, 3,15A.
15. Neem contact op met een bekwame onderhoudstechnicus om dit toestel te repareren of te onderhouden.
16. Niet aan het snoer trekken, het vervormen of aanpassen, of het in water dompelen. Aan het snoer trekken of het verkeerd gebruiken kan schade aan het apparaat en een elektrische schok veroorzaken.
17. Leef de nationale gasverordeningen altijd na.
18. Reparaties mogen alleen worden uitgevoerd zoals aanbevolen door de fabrikant van het apparaat. Onderhoud en reparatie die de hulp van ander opgeleid personeel vereisen, moeten worden uitgevoerd onder het toezicht van een persoon die weet hoe brandbare koudemiddelen te gebruiken.
19. Start of stop het toestel niet door de stekker in het stopcontact te steken of eruit te trekken. Het kan een elektrische schok of brand veroorzaken als gevolg van de overmatige generatie van hitte.
20. Haal de stekker uit het stopcontact als u een ongewoon geluid, geur of rook waarneemt.
21. Sluit dit apparaat altijd aan op een geaard stopcontact.

22. Als het toestel beschadigd is, schakel het toestel uit, haal de stekker uit het stopcontact en neem contact op met een erkend servicecentrum voor reparatie.
23. Gebruik geen middelen die het ontdooiproces versnellen of reinigingsmiddelen, tenzij deze die door de fabrikant zijn aanbevolen.
24. Berg het apparaat op in een ruimte zonder continu werkende ontstekingsbronnen (bijv. een open vlam, ingeschakeld gastoestel of een ingeschakeld elektrisch verwarmingstoestel).
25. Niet doorboren of verbranden.
26. Opgelet, bepaalde koudemiddelen zijn geurloos.
27. Dit apparaat bevat het koudemiddel R290. R290 is een koelgas dat in overeenstemming is met de Europese milieurichtlijnen. Doorboor geen enkel deel van het koelcircuit.
28. Als het apparaat wordt geïnstalleerd, bediend of bewaard in een ruimte zonder ventilatie, moet de ruimte aldus zijn ingericht dat de ophoping van koudemiddel door een lek wordt vermeden. Dit kan leiden tot brand- of explosiegevaar door het ontsteken van het koudemiddel door een elektrisch verwarmingstoestel, fornuis of andere ontstekingsbron.
29. Bewaar het apparaat op een dergelijke wijze zodat mechanische storing wordt vermeden.
30. Personen die het koelcircuit bedienen of er aan werken, moeten in het bezit zijn van een gepast certificaat van een bevoegde organisatie, zodat deze personen bevoegd zijn om koudemiddelen op een veilige manier te behandelen overeenkomstig de specificaties die in de industrie van kracht zijn.
31. Reparaties mogen alleen worden uitgevoerd zoals aanbevolen door de fabrikant van het apparaat. Onderhoud en reparatie die de hulp van ander opgeleid personeel vereisen, moeten worden uitgevoerd onder

het toezicht van een persoon die weet hoe brandbare koudemiddelen te gebruiken.

32. Voor instructies voor het repareren van apparaten die R290 bevatten, raadpleeg onderstaande paragrafen.
33. Laat het apparaat altijd minstens 2 uur met rust nadat het naar een andere ruimte is gebracht.



Waarschuwing: Brandgevaar / ontvlambare materialen.



Lees de gebruikershandleidingen.



Gebruiksaanwijzing; gebruiksinstructies.



Service-indicator; lees de technische handleiding.

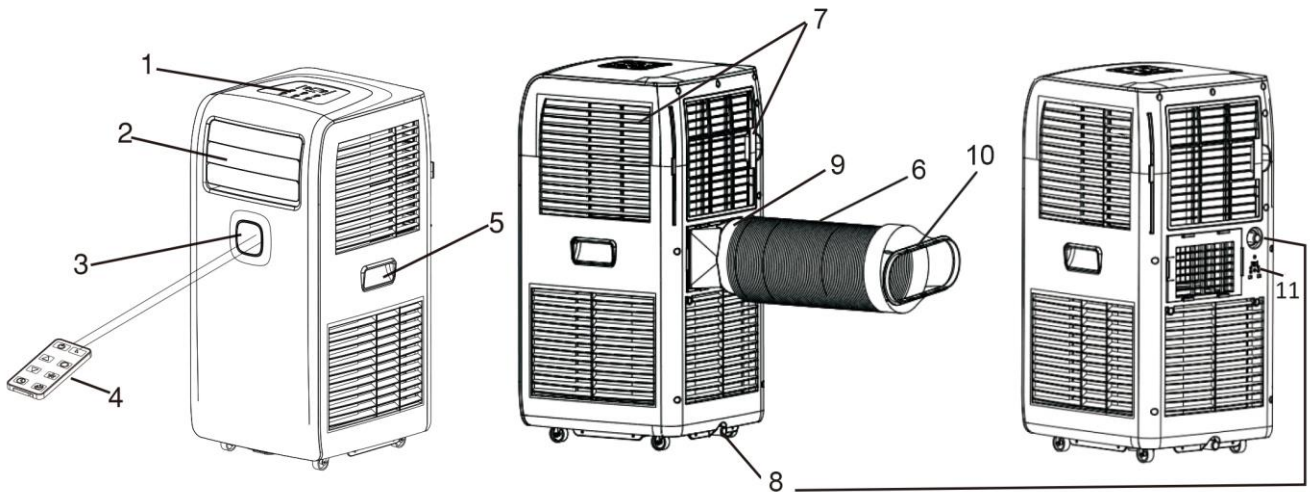
Waarschuwing: Houd de ventilatieopeningen vrij.

Waarschuwing: Berg het apparaat op in een goed geventileerde ruimte waarbij de grootte van de kamer overeenstemt met het oppervlak dat is aangegeven.

De vrije ruimte rondom het toestel moet minstens 30 cm bedragen.

Installeer, gebruik en bewaar het apparaat in een ruimte met een vloeroppervlak van minstens 7.9 m².

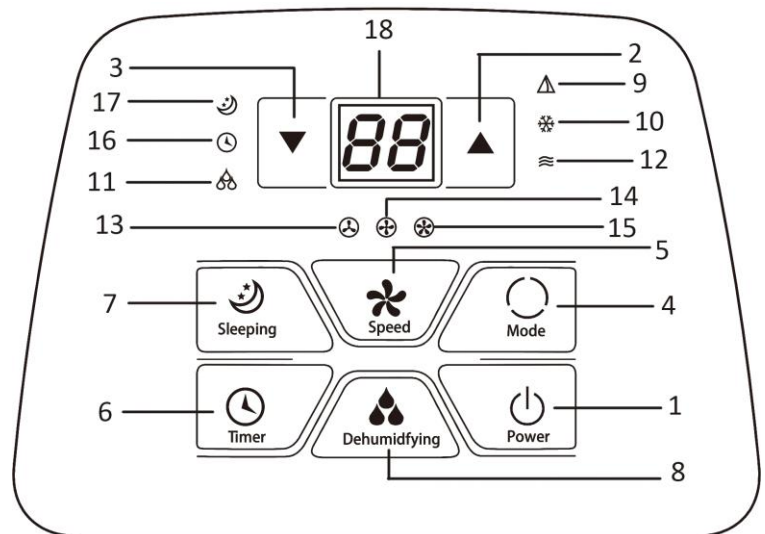
BESCHRIJVING VAN DE ONDERDELEN



1. Bedieningspaneel
2. Luchtuitlaat en lamellen
3. Signaalontvanger
4. Afstandsbediening
5. Handgreep
6. Luchtuitlaatslang
7. Luchtinlaat en luchtfilter
8. Afvoerklap (afgesloten met een stop)
9. Slangaansluitstuk
10. Raamadapter
11. Universeel aansluitingsgat (voor opslag van de stekker)

Bedieningspaneel

1. Aan/uit-knop
2. Temperatuur/timer verhogen-knop
3. Temperatuur/timer verlagen-knop
4. Modus-knop
5. Ventilatorsnelheid-knop
6. Timer-knop
7. Slaap-knop
8. Ontvochtigingsknop
9. Automatische modus-controlelampje
10. Koelmodus-controlelampje
11. Ontvochtigingsmodus-controlelampje
12. Ventilatormodus-controlelampje
13. Lage snelheid-controlelampje
14. Middelste snelheid-controlelampje
15. Timer-controlelampje
16. Slapen-controlelampje
17. Digitaal scherm



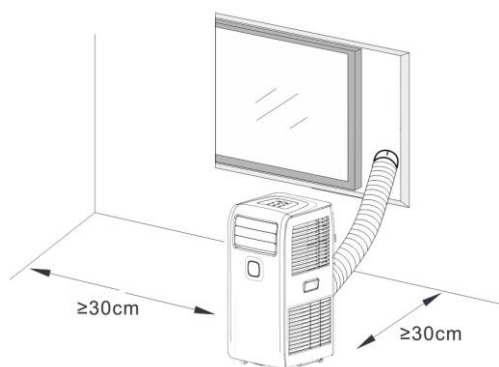
Afstandsbediening

Dit toestel is voorzien van een afstandsbediening. De afstandsbediening is reeds uitgerust met één CR2025 batterij. Voordat de afstandsbediening wordt gebruikt, verwijder de plastic bescherming van de batterij. Als de batterij aan vervanging toe is, raadpleeg de instructies op de achterkant van de afstandsbediening. Als u denkt de afstandsbediening langere tijd niet te gebruiken, haal de batterij uit. Knoopcel batterijen buiten bereik van kleine kinderen houden.

De functies van de knoppen op de afstandsbediening zijn dezelfde als de functies van de knoppen op het bedieningspaneel.

INSTALLATIE

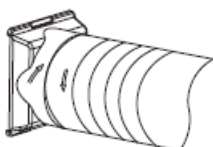
- Installeer het toestel op een vlakke ondergrond waar de luchtuitlaat niet belemmerd kan worden. Zorg voor een vrije ruimte van minstens 30 cm rondom het toestel.



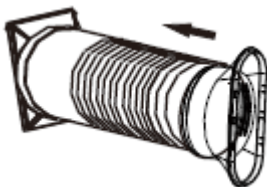
- Installeer het toestel niet in een wasruimte.
- Verleng de luchtuitlaatslang door beide uiteinden van de slang uit te trekken.



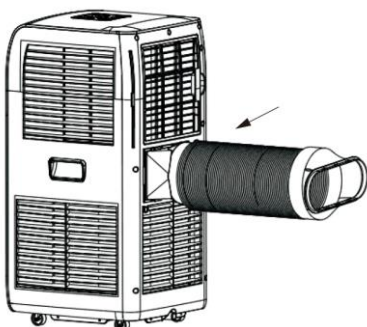
- Schroef de luchtuitlaatslang vast aan het slangaansluitstuk.



- Schroef het ander uiteinde van de luchtuitlaatslang vast aan de raamadapter.



- Steek het slangaansluitstuk in de beugel aan de achterkant van het toestel.



WERKING

*Laat het apparaat altijd minstens 2 uur rusten nadat het naar een andere ruimte is gebracht.

Voor gebruik, controleer of de uitlaatslang juist is aangebracht. Steek de stekker in het stopcontact. Open de lamellen voordat het apparaat wordt ingeschakeld.

1. Aan/uit-knop

Druk op de aan/uit-knop om het apparaat in te schakelen. De kamertemperatuur wordt op het scherm weergegeven. Het apparaat treedt in werking.

Druk opnieuw op de knop en het apparaat wordt uitgeschakeld.

2. Temperatuur/timer verhogen-knop en Temperatuur/timer verlagen-knop

Druk op de “▲”/“▼” knop om uw gewenste kamertemperatuur tussen 15°C en 31°C in te stellen. De knoppen kunnen tevens worden gebruikt om de timer in te stellen. De waarde wordt bij elke druk op de knop met 1 (°C/uur) verhoogd of verlaagd.

3. Ventilatorsnelheidsknop

Druk op de ventilatorsnelheidsknop om de ventilatorsnelheid op laag, middelmatig of hoog in te stellen.

Het overeenkomstig controlelampje “” / “” / “” brandt.

4. Modusknop

Druk op de modusknop om uw gewenste modus te selecteren. U hebt keuze uit AUTO, koelen en ventilator. Het overeenkomstig controlelampje brandt wanneer de specifieke modus is geselecteerd.

- Automatische modus

In de automatische modus werkt de binnentemperatuursensor automatisch om de gewenste werking met koelen of ventilator te selecteren. Als de kamertemperatuur hoger of gelijk aan 24°C is, selecteert het toestel automatisch de koelmodus en als de kamertemperatuur lager dan 24 °C is, selecteert het toestel automatisch de ventilatormodus.

- Koelmodus

Wanneer de kamertemperatuur hoger dan de ingestelde temperatuur is, wordt de compressor ingeschakeld.

Wanneer de kamertemperatuur lager dan de ingestelde temperatuur is, stopt de compressor en werkt de ventilator op de oorspronkelijk ingestelde snelheid.

Opmerking: Als de compressor in werking is, zal het toestel lichtjes trillen. Dit is normaal en is onschadelijk.

- Ventilatormodus

Wanneer de ventilator op de ingestelde snelheid draait, zal de compressor niet werken.

De temperatuur in de ventilatormodus aanpassen heeft geen enkele impact.

5. Ontvochtigen

- Druk op de ontvochtigingsknop om de functie in te schakelen. De ventilator draait op de lage snelheid. De ventilatorsnelheid en temperatuur kunnen niet worden gewijzigd.
- De compressor stopt na 8 minuten met werken en wordt na 6 minuten opnieuw ingeschakeld.
- Druk op de modusknop om naar de AUTO / koelen / ventilatormodus te schakelen.

6. Timer-knop

Automatisch AAN-instelling

- Wanneer het apparaat is uitgeschakeld, druk op de timer-knop en het timer-controlelampje zal knipperen.
- Druk op de timer verhogen of verlagen-knop om een gewenste Automatisch AAN-tijd tussen 1 en 24 uur in te stellen. Het timer-controlelampje knippert gedurende enkele seconden en brandt vervolgens continu. Het digitaal scherm is uitgeschakeld. De timer-instelling is bevestigd.
- U kunt de ventilatorsnelheid en de modus tegelijkertijd selecteren.
- Het apparaat wordt automatisch ingeschakeld zodra de ingestelde tijd is verstreken.

Automatisch UIT-instelling

- Wanneer het apparaat is ingeschakeld, druk op de timer-knop en het timer-controlelampje zal knipperen.
- Druk op de timer verhogen of verlagen-knop om een gewenste Automatisch UIT-tijd tussen 1 en 24 uur in te stellen. Het timer-controlelampje knippert gedurende enkele seconden en brandt vervolgens continu. Het digitaal scherm geeft de kamertemperatuur weer. De timer-instelling is bevestigd.
- Het apparaat wordt automatisch uitgeschakeld zodra de ingestelde tijd is verstreken.

Om de timer te annuleren, stel de tijd in op 0 uur of druk op de timerinstelling. Wanneer het digitaal scherm knippert, druk opnieuw op de timerknop. Het timer-controlelampje zal vervolgens doven.

7. Slapen-knop (alleen actief in de koelmodus)

Druk op de slapen-knop om de slaapmodus te activeren. Het slapen-controlelampje brandt.

In de slaapmodus werkt de ventilator automatisch op de lage snelheid. De ingestelde temperatuur neemt na één uur toe met 1 °C en na twee uur met 2 °C. Het apparaat stopt automatisch na een werking van zes uur.

OPMERKING:

- De beveiliging kan worden geactiveerd en het apparaat doen stoppen wanneer een van de volgende omstandigheden zich voordoet:

Koelen	Kamertemperatuur is hoger dan 43°C.
	Kamertemperatuur is lager dan 15°C.
Ontvochtigen	Kamertemperatuur is lager dan 15°C.

- Als het apparaat langdurig in een de koel- of droogmodus werkt met een open deur of room en de relatieve vochtigheidsgraad is hoger dan 80%, kan er water uit de luchtuitlaat druppelen.

Water afvoeren

- 1) Speciale herinnering: Dit apparaat bevat intern condenswater dat wordt gerecycled. Het condenswater wordt zowel door de condensator gerecycled als in de waterbak opgevangen. Wanneer het waterpeil het maximum niveau bereikt, verschijnt de reservoir vol-code „E4“ op het digitaal scherm als herinnering om het water af te voeren.
- 2) Haal de stekker uit het stopcontact, breng het apparaat naar een geschikte plaats en trek de stop uit de afvoerklep om al het water af te voeren. Als de omstandigheden het toelaten kunt u tevens een afvoerslang op de afvoerklep aansluiten om het water af te voeren. Dit apparaat heeft twee afvoeropeningen.
- 3) Wanneer al het water is afgevoerd, steek de stop opnieuw in de afvoerklep om het lekken van het apparaat en het nat worden van uw ruimte te vermijden.

REINIGING EN ONDERHOUD

- Haal de stekker uit het stopcontact voordat u het apparaat reinigt.
- Maak het apparaat niet schoon met benzine of een andere chemische stof.

- Dompel het apparaat niet onder.
- Als het apparaat beschadigd is, neem contact op met uw handelaar of een erkend servicecentrum.

Luchtfilter

Maak de luchtfilters iedere twee weken schoon om verstopping door stof en vuil te vermijden.

- Trek de luchtfilters via het lipje uit.
- Maak de luchtfilter schoon met een neutraal reinigingsmiddel in lauw water (< 40°C) en laat het in de schaduw drogen.
- Breng de luchtfilter opnieuw aan.



De buitenkant schoonmaken

Maak de buitenkant schoon met een neutraal reinigingsmiddel en een natte doek en voeg het vervolgens droog met een droge doek.

PROBLEEMOPLOSSING

Problemen	Mogelijke oorzaken	Oplossingen
Onvoldoende koud	De deuren of ramen zijn niet dicht.	Zorg dat alle ramen en deuren dicht zijn.
	Er bevindt zich een warmtebron in de kamer.	Indien mogelijk, verwijder de warmtebron.
	De hete luchtuitlaatslang is niet aangesloten of is verstopt.	Verbind of reinig de hete luchtuitlaatslang.
	Temperatuurinstelling is te hoog.	Stel de temperatuur opnieuw in.
	Luchtinlaat / -uitlaat is verstopt.	Maak de luchtinlaat / -uitlaat schoon.
Veel lawaai	De ondergrond is niet of onvoldoende vlak.	Plaats het apparaat op een vlakke ondergrond.
	Het lawaai komt door het stromen van het koudemiddel in het apparaat.	Dit is normaal.
Code "E2" op het digitaal scherm	Kamertemperatuursensor is defect.	Vervang de kamertemperatuursensor. Neem contact op met een vakbekwame technicus voor reparatie.
Code "E3" op het digitaal scherm	Temperatuursensor van verdamper is defect.	Vervang de temperatuursensor van verdamper. Neem contact op met een vakbekwame technicus voor reparatie.
Code "E4" op het digitaal scherm	Waarschuwing voor vol reservoir	Voer het water af.

TECHNISCHE GEGEVENS

Onderstaande gegevens zijn voor uw operationele referentie

Model	PAC-125152
Nominale spanning	220-240V
Nominale frequentie	50Hz
Nominale invoer	950W
Nominale stroom	4.3A
Koelvermogen	9000BTU
Vochtverwijdering (L/U)	1.0
Luchtstroom	300m ³ /h

ERP-INFORMATIE

	Waarde
Handelsmerk	Emerio
Identificatie van model	PAC-125152
Geluidsvermogen (koeling)	64.3dB(A)
Naam van koudemiddel	R290
Nominaal opgenomen vermogen voor koeling (kW)	0.95
Nominale energie-efficiëntieverhouding	2.6
GWP (kgCO ₂ eq)	3
Energie-efficiëntieklasse	A
Energieverbruik voor apparaten met twee leidingen (kWh/h)	-
Energieverbruik voor apparaten met één leiding (kWh/h)	0.96
Stroomverbruik in thermostaat uit-modus (W)	-
Stroomverbruik in stand-bymodus (W)	0.43
Koelvermogen	9000BTU
<p>Het lekken van koudemiddel draagt bij tot klimaatverandering. Koudemiddel van een lager aardopwarmingspotentieel (GWP) draagt in mindere mate bij tot de opwarming van de aarde dan een koudemiddel met een hogere GWP wanneer deze in de atmosfeer terechtkomt. Dit apparaat bevat een koudemiddel met een GWP van 3. Dit betekent dat als 1 kg van dit koudemiddel in de atmosfeer zou terechtkomen, de impact op de opwarming van de aarde 3 keer groter zou zijn dan 1 kg CO₂, over een periode van 100 jaar. Pas het koelcircuit nooit zelf aan of haal het product niet zelf uit elkaar, laat dit altijd aan een deskundige over.</p> <p>#Energieverbruik van 0.96 kWh voor model PAC-125152 bij 60 minuten van gebruik onder standaard testomstandigheden. Het werkelijk energieverbruik is afhankelijk van de gebruikswijze van het apparaat en waar het is geplaatst.</p> <p>Voor meer informatie kunt u contact opnemen met: Emerio Holland B.V. Zomervaart 1A 2033 DA Haarlem The Netherlands Klantendienst: T: +31(0)23 3034369 E: info.nl@emerio.eu</p>	

GARANTIE EN KLANTENSERVICE

Vóór de levering worden onze apparaten streng gecontroleerd. Indien het toestel ondanks alle zorg bij de productie of tijdens het transport beschadigd werd, moet u het naar de handelaar terugbrengen. Naast het wettelijke recht op waarborg heeft de klant recht op de volgende garantieclaim:

Wij geven een garantie van 2 jaar op het toestel, te beginnen met de koopdatum. Indien u een defect product heeft, kunt u rechtstreeks terug gaan naar het aankooppunt.

Gebreken die het gevolg zijn van ondeskundig gebruik van het toestel, fouten tijdens ingrepen en reparaties door derden of door de inbouw van vreemde onderdelen, vallen niet onder deze garantie. Bewaar altijd uw aankoopnota, zonder aankoopnota kunt u geen aanspraak maken op enige vorm van garantie. Bij schade veroorzaakt door het niet opvolgen van de gebruiksaanwijzing vervalt het recht op garantie. Voor vervolgschade die hieruit ontstaat kunnen wij niet verantwoordelijk gehouden worden. Voor materiële schade of persoonlijk letsel veroorzaakt door ondeskundig gebruik of het niet opvolgen van de veiligheidsvoorschriften zijn wij niet aansprakelijk. In dergelijke gevallen vervalt iedere aanspraak op garantie. Schade aan accessoires of onderdelen betekend niet dat het gehele apparaat zal worden vervangen. Afgebroken glazen of kunststof onderdelen of accessoires vallen niet onder de garantie en zullen tegen vergoeding vervangen kunnen worden. Defecten aan hulpstukken of aan slijtage onderhevige onderdelen,

alsmede reiniging, onderhoud of de vervanging van slijtende delen vallen niet onder de garantie en zullen dus in rekening gebracht worden.

MILIEUVRIENDELIJKE AFVALVERWERKING



Recycling – Europese Richtlijn 2012/19/EU

Deze markering betekent dat dit product niet samen met ander huishoudelijk afval mag worden afgedankt. Om het milieu en de volksgezondheid niet in gevaar te brengen en het hergebruik van grondstoffen te bevorderen, moet dit product op verantwoorde wijze worden afgevoerd. Lever verbruikte apparatuur a.u.b. in bij de hiervoor bestemde inzamelpunten of bij de winkel waar het product was aangeschaft. Zij zullen dit product accepteren voor milieuvriendelijke afvalverwerking.



RECYCLE OF GOOI DE BATTERIJ OP EEN JUISTE MANIER WEG. NIET OPENEN. NIET IN VUUR GOOIEN OF KORTSLUITEN.

Emerio Holland B.V.
Zomervaart 1A
2033 DA Haarlem
The Netherlands

Klantendienst:

T: +31(0)23 3034369
E: info.nl@emerio.eu

INSTRUCTIES VOOR HET REPAREREN VAN APPARATEN DIE R290 BEVATTEN

1. Reparaties

1) Controle van de bedrijfsruimte

Voordat er kan worden gewerkt aan systemen die ontvlambare koudemiddelen bevatten, moeten er veiligheidscontroles worden uitgevoerd om het risico op ontsteking tot een minimum te beperken. De volgende voorzorgsmaatregelen dienen in acht te worden genomen voordat er reparaties aan het koelsysteem kunnen worden uitgevoerd.

2) Werkprocedure

De werkzaamheden moeten volgens een gecontroleerde procedure worden uitgevoerd om het risico op de aanwezigheid van een ontvlambaar gas of een ontvlambare damp tijdens de werkzaamheden tot een minimum te beperken.

3) Algemene werkomgeving

Al het onderhoudspersoneel en alle overige personen in de werkomgeving moeten worden geïnformeerd over de aard van de werkzaamheden die worden uitgevoerd. Werkzaamheden in besloten ruimtes moeten worden voorkomen. Het gebied rond de werkomgeving moet worden afgesloten. Zorg ervoor dat er veilig in de werkomgeving kan worden gewerkt door het te controleren op de aanwezigheid van ontvlambare stoffen.

4) Controleren op de aanwezigheid van koudemiddel

De omgeving moet voor en tijdens de werkzaamheden worden gecontroleerd met een gepaste koudemiddeldetector, zodat de technicus weet of er ontvlambare stoffen aanwezig zijn. Zorg ervoor dat de apparatuur voor lekdetectie geschikt is voor detectie van ontvlambare koudemiddelen, d.w.z. geen vonken afgeeft, goed is afgedicht en intrinsiek veilig is.

5) Aanwezigheid van een brandblusser

Als er hete werkzaamheden aan de koelapparatuur of bijbehorende onderdelen moeten worden verricht, moet er geschikte blusapparatuur aanwezig zijn. Zorg dat er een CO₂- of poederblusser in de buurt van de werkomgeving aanwezig is.

6) Geen ontstekingsbronnen

Geen enkele persoon die aan een koelsysteem werkzaamheden verricht waarbij leidingen worden blootgelegd die ontvlambaar koudemiddel bevatten of hebben bevat, mag ontstekingsbronnen op zo'n manier gebruiken dat deze een brand- of explosiegevaar vormt. Alle mogelijke ontstekingsbronnen, waaronder brandende sigaretten, moeten uit de buurt van de ruimte waar het apparaat wordt geïnstalleerd, gerepareerd, verwijderd of afgedankt worden gehouden aangezien ontvlambaar koudemiddel vrij kan komen. Vóór het begin van de werkzaamheden moet het gebied rond de apparatuur worden gecontroleerd op de aanwezigheid van ontbrandingsgevaaren en ontstekingsrisico's. Er moeten borden worden geplaatst met de tekst "Niet roken".

7) Geventileerde omgeving

Zorg ervoor dat de werkomgeving in de buitenlucht is of voldoende wordt geventileerd, voordat het systeem wordt geopend of hete werkzaamheden worden verricht. Tijdens de werkzaamheden moet er voortdurend ventilatie zijn. De ventilatie moet ervoor zorgen dat vrijgekomen koudemiddel wordt verspreid en bij voorkeur wordt afgegeven naar de buitenlucht.

8) Controle van de koelapparatuur

Bij het vervangen van elektrische componenten moeten componenten worden gebruikt die geschikt zijn voor het doel en die de juiste specificaties hebben. Volg altijd de onderhouds- en reparatierichtlijnen van de fabrikant. In geval van twijfel, neem contact op met de technische dienst van de fabrikant.

Voer de volgende controles uit op installaties die brandbaar koudemiddel gebruiken:

- De hoeveelheid koudemiddel moet in overeenstemming zijn met de omvang van de ruimte waarin de apparatuur met koudemiddel wordt geplaatst;
- De ventilatieapparatuur en -uitlaten werken naar behoren en worden niet geblokkeerd;

- Als een indirect koelcircuit wordt gebruikt, controleer het secundaire circuit op de aanwezigheid van koudemiddel;
- De markering op het apparaat moeten goed zichtbaar en leesbaar zijn. Markeringen en tekens die niet leesbaar zijn moeten worden vervangen;
- Installeer koelleidingen of onderdelen van het koelcircuit in een positie waar ze niet blootgesteld kunnen worden aan stoffen die de onderdelen die het koudemiddel bevatten kunnen corroderen, tenzij deze onderdelen van een materiaal zijn gemaakt die corrosiebestendig zijn of gepast tegen corrosie zijn beschermd.

9) Controle van elektrische apparatuur

Als onderdeel van reparatie- en onderhoudswerkzaamheden aan elektrische componenten moeten vooraf veiligheidscontroles worden uitgevoerd en moeten de componenten worden geïnspecteerd. Als een defect wordt geconstateerd dat de veiligheid in gevaar kan brengen, mag er geen stroomtoevoer op het circuit worden aangesloten, voordat het defect adequaat is verholpen. Als het defect niet direct kan worden verholpen, maar de bedrijfswerkzaamheden niet langer kunnen worden onderbroken, moet er een adequate en tijdelijke oplossing worden gevonden. Van deze tijdelijke oplossing moet melding worden gemaakt bij de eigenaar van het apparaat, zodat alle partijen op de hoogte zijn. Tot de initiële veiligheidscontroles behoren:

- De condensatoren moeten worden ontladen: dit moet op een veilige manier worden gedaan om de mogelijkheid op vonken te voorkomen;
- Er mogen geen actieve elektrische componenten en draden blootliggen tijdens het opladen, herstellen of spoelen van het systeem;
- Het systeem moet continu geaard zijn.

2. Reparaties op de afgedichte onderdelen

1) Tijdens de reparatie van afgedichte componenten moet alle stroomtoevoer worden ontkoppeld van het apparaat waaraan wordt gewerkt, voordat afdichtingen mogen worden verwijderd. Indien het absoluut noodzakelijk is dat er tijdens onderhoudswerkzaamheden stroomtoevoer naar het apparaat is, moet er een permanent werkende lekdetector worden geplaatst op het meest kritieke punt, zodat deze kan waarschuwen als er een gevaarlijke situatie optreedt.

2) Op de volgende punten moet bijzonder goed worden gelet om te voorkomen dat de behuizing van elektrische componenten tijdens werkzaamheden zijn beschermende functie niet verliest. Hiertoe behoort schade aan kabels, te veel aansluitingen, terminals die niet voldoen aan de oorspronkelijke specificaties, schade aan afdichtingen, niet goed passende wartels, enz.

Zorg dat het apparaat op een juiste manier in elkaar is gezet. Zorg dat de afdichtingen of het afdichtingsmateriaal niet zijn versleten om indringing van brandbare stoffen te vermijden. De reserveonderdelen moeten in overeenstemming zijn met de specificaties van de fabrikant.

OPMERKING: Het gebruik van een silicone afdichtmiddel kan een impact hebben op de juiste werking van bepaalde lekdetectieapparatuur. Intrinsieke veilige onderdelen moeten niet eerst worden geïsoleerd alvorens er werkzaamheden op uit te voeren.

3. Reparatie van intrinsiek veilige componenten

Stel het circuit niet bloot aan permanente inductie- of condensatorbelasting zonder van tevoren te controleren of deze belasting de toegestane spanning en stroomsterkte van het apparaat niet overschrijdt. Intrinsiek veilige componenten zijn de enige componenten waaraan kan worden gewerkt als er stroom op staat en er ontvlambare gassen of dampen aanwezig zijn. Het testapparaat moet aan de specificaties voldoen. Vervang de componenten alleen met door de fabrikant gespecificeerde componenten. Andere onderdelen kunnen het koudemiddel in brand steken wanneer er een lek aanwezig is.

4. Bekabeling

Controleer of de bekabeling niet onderhevig is aan slijtage, corrosie, overmatige druk, trillingen, scherpe randen of andere nadelige factoren in de bedrijfsomgeving. Houd tevens rekening met de effecten van veroudering en de continue trillingen van bronnen als compressors en ventilatoren.

5. Detectie van ontvlambaar koudemiddel

Onder geen enkele omstandigheid mogen er ontstekingsbronnen worden gebruikt voor het zoeken naar of detecteren van lekkend koudemiddel. Er mogen geen lekzoeklampen (of andere detectoren met een open vlam) worden gebruikt.

6. Methodes voor lekdetectie

De volgende lekdetectiemethodes zijn geschikt bevonden voor systemen die ontvlambaar koudemiddel bevatten.

Elektronische lekdetectoren kunnen worden gebruikt voor het detecteren van brandbare koudemiddelen. De gevoeligheid kan echter ongepast zijn of herkalibratie kan nodig zijn. (Kalibreer de detectieapparatuur in een gebied zonder koudemiddel). Zorg dat de detector geen potentiële ontstekingsbron is en voor het gebruikte koudemiddel gepast is. Stel de lekdetectieapparatuur in op een percentage van de LFL van het koudemiddel en kalibreer het volgens het gebruikte koudemiddel en de gepaste gaspercentage (maximum 25%). Lekdetectievloeistoffen zijn gepast voor gebruik met de meeste koudemiddelen, maar gebruik geen detergents die chloor bevatten. De chloor kan reageren met het koudemiddel en de koperen leidingen corroderen. Als een lek wordt vermoed, verwijder/ doof alle open vlammen. Als een koudemiddel wordt gevonden en er gesoldeerd moet worden, moet al het koudemiddel uit het systeem worden verwijderd of met behulp van ventielen worden geïsoleerd in een deel van het systeem dat zich op afstand van het lek bevindt. Zowel vóór als tijdens het solderen moet het systeem worden gespoeld met zuurstofvrije stikstof.

7. Verwijderen en vacuüm zuigen

Er worden algemene procedures gehanteerd voor reparatie- of andere werkzaamheden aan het koudemiddelcircuit. Houd met het oog op de ontvlambaarheid van koudemiddelen echter de volgende maatregelen in acht. Voer de volgende procedure uit:

- Verwijder het koudemiddel;
- Ontlucht het circuit met inert gas;
- Maak luchtledig;
- Ontlucht opnieuw met inert gas;
- Open het circuit door het te snijden of te solderen.

Het verwijderde koudemiddel moet worden opgevangen in de juiste verzamelingscilinders. Het systeem moet worden doorgespoeld met zuurstofvrije stikstof om het systeem veilig te maken. Het is mogelijk dat dit proces meerdere keren moet worden herhaald. Hiervoor mag geen gebruik worden gemaakt van perslucht of zuurstof. Het doorspoelen gebeurt door het vacuüm in het systeem op te heffen met zuurstofvrije stikstof tot de bedrijfsdruk is bereikt, de stikstof te laten ontsnappen in de omgevingslucht en het systeem vervolgens opnieuw vacuüm te zuigen. Dit proces moet worden herhaald tot er geen koudemiddel meer in het systeem aanwezig is. Wanneer er voor het laatst zuurstofvrije stikstof is toegepast, moet dit worden vrijgegeven aan de omgevingslucht tot de omgevingsdruk is bereikt. Vervolgens kan er met de werkzaamheden worden begonnen. Deze procedure is absoluut noodzakelijk als er soldeerwerkzaamheden op de leidingen dienen te gebeuren. Zorg dat de uitlaat van de vacuümpomp zich niet in de buurt van een ontstekingsbron bevindt en er voldoende ventilatie aanwezig is.

8. Vulprocedures

Naast de algemene vulprocedures moeten de volgende vereisten worden nageleefd.

- Zorg ervoor dat er bij het gebruik van de vulapparatuur geen vermenging van verschillende koudemiddelen optreedt. Slangen of leidingen moeten zo kort mogelijk worden gehouden om de hoeveelheid koudemiddel tot een minimum te beperken.
- De cilinders moeten rechtop staan.
- Zorg ervoor dat het koudemiddelsysteem geaard is, voordat het systeem wordt gevuld met koudemiddel.
- Label het systeem wanneer het is gevuld (indien dit nog niet is gedaan).
- Het is uiterst belangrijk dat het systeem niet overmatig gevuld wordt.

Voordat het systeem opnieuw wordt gevuld, moet er een druktest met zuurstofvrije stikstof worden uitgevoerd. Het systeem moet na het vullen, maar vóór ingebruikname, worden getest op lekkage. Een tweede lektest moet worden uitgevoerd alvorens de locatie te verlaten.

9. Ontmanteling

Voordat deze procedure wordt uitgevoerd, moet de technicus volledig bekend zijn met het apparaat. Het wordt aanbevolen dat alle koudemiddelen veilig worden opgevangen. Vóór het uitvoeren van de taak moet er een olie- en koudemiddelmonster worden genomen, voor het geval het opgevangen koudemiddel vóór hergebruik moet worden geanalyseerd. Het is essentieel dat er stroomtoevoer is vóór de werkzaamheden beginnen.

- a) Raak vertrouwd met het apparaat en zijn werking.
- b) Zorg voor gepaste elektrische isolatie van het systeem.
- c) Voordat u de procedure uitvoert:
 - Indien nodig, zorg dat er mechanische uitrusting voor het behandelen van de bewaarflessen met koudemiddel aanwezig is;
 - Zorg voor persoonlijke beschermingsmiddelen en dat ze juist worden gebruikt;
 - Zorg tijdens het terugwinningsproces voor een continu toezicht door een vakbekwame persoon.
 - Zorg dat de gebruikte terugwinningsuitrusting en bewaarflessen in overeenstemming zijn met de gepaste normen.
- d) Pomp het koudemiddelsysteem indien mogelijk leeg.
- e) Als gebruik van een vacuümpomp niet mogelijk is, moet een verdeelstuk worden gebruikt zodat het koudemiddel van verschillende onderdelen van het systeem kan worden verwijderd.
- f) Zorg ervoor dat de cilinder op de weegschaal staat voordat het koudemiddel wordt opgevangen.
- g) Start de opvangmachine en bedien deze volgens de instructies van de fabrikant.
- h) Vul de cilinders niet te veel. (Niet meer dan 80% van het vloeistofvolume)
- i) Overschrijd de maximale werkdruk van de cilinder niet, zelfs niet tijdelijk.
- j) Als de cilinders correct zijn gevuld en het proces is voltooid, moeten de cilinders en het apparaat snel van de locatie worden verwijderd en moeten alle isolatieventielen op het apparaat worden afgesloten.
- k) Verzameld koudemiddel mag pas voor een ander koudemiddelsysteem worden gebruikt, als het is schoongemaakt en gecontroleerd.

10. Labeling

Het apparaat moet worden voorzien van een label waarop staat vermeld dat het apparaat is ontmanteld en dat het koudemiddel is verwijderd. Het label moet worden gedateerd en ondertekend. Zorg ervoor dat er labels op de cilinders aanwezig zijn met vermelding dat de cilinders onvlambaar koudemiddel bevatten.

11. Herstel

Bij het opvangen van koudemiddel van een systeem, voor zowel onderhoud als ontmanteling, moeten alle koudemiddelen op een veilige manier worden verwijderd. Wanneer koudemiddel wordt opgevangen in cilinders mogen alleen geschikte cilinders voor koudemiddel worden gebruikt. Zorg dat u het nodige aantal cilinders hebt om alle koudemiddel te kunnen bewaren. Alle cilinders die worden gebruikt, zijn bestemd voor het opvangen van koudemiddel en moeten als zodanig worden gelabeld (d.w.z. speciale cilinders voor het opvangen van koudemiddel). De cilinders moeten compleet zijn, met een overdrukventiel en afsluitventielen, en alle onderdelen moeten in goede staat verkeren. Lege opvangcilinders moeten met een vacuümpomp worden geleegd en, indien mogelijk, worden gekoeld vóór het opvangen van het koudemiddel. De opvangapparatuur moet zich in een goede staat bevinden, voorzien zijn van instructies en geschikt zijn voor het opvangen van ontvlambare koudemiddelen. Daarnaast moet er een gekalibreerde weegschaal aanwezig zijn die in goede staat verkeert. Slangen moeten intact zijn, compleet met lekvrije en juist werkende koppelstukken. Controleer vóór gebruik of de opvangmachine in een goede staat verkeert, goed is onderhouden en dat alle elektrische componenten zijn afgedicht om ontsteking te voorkomen in geval koudemiddel vrijkomt. In geval van twijfel, neem contact op met de fabrikant. Lever het teruggewonnen koudemiddel in bij uw leverancier van koudemiddel, in de juiste cilinder en voorzien van de relevante documentatie. Meng geen koudemiddelen in opvangunits en, in het bijzonder, niet in cilinders. Als er compressoren of compressorolie moeten worden verwijderd, moet de olie tot een acceptabel niveau worden afgezogen met een vacuümpomp, zodat er geen ontvlambaar koudemiddel in de olie achterblijft. Het vacuümproces moet vóór retournering van de compressor aan de leverancier worden uitgevoerd. Om dit proces te versnellen mag de compressorbehuizing uitsluitend elektrisch worden verwarmd. Olie moet altijd voorzichtig uit een systeem worden verwijderd.

Competentie van het onderhoudspersoneel

Algemeen

Speciale opleiding naast de gebruikelijke reparatieprocedures voor koelapparatuur is nodig wanneer het apparaat met ontvlambaar koudemiddel betreft.

In vele landen wordt deze opleiding gegeven door nationale opleidingsorganisaties die geaccrediteerd zijn om de relevante nationale competentienormen, die wettelijk vastgelegd kunnen zijn, bij te brengen.

De behaalde competentie moet in een certificaat zijn vastgelegd.

Opleiding

De opleiding moet het volgende bevatten:

Informatie over het explosiepotentieel van ontvlambare koudemiddelen om aan te tonen dat ontvlambare stoffen gevaarlijk kunnen zijn wanneer ze verkeerd worden behandeld.

Informatie over mogelijke ontstekingsbronnen, in het bijzonder deze die niet vanzelfsprekend zijn, zoals aanstekers, lichtschakelaars, stofzuigers, elektrische verwarmingstoestellen.

Informatie over de verschillende veiligheidsconcepten:

Ongeventileerd – De veiligheid van het apparaat is niet afhankelijk van de ventilatie van de behuizing. Het uitschakelen van het apparaat of het openen van de behuizing heeft geen beduidend gevolg voor de veiligheid. Het is echter mogelijk dat er lekkend koudemiddel in de behuizing ophoopt en er een ontvlambare atmosfeer bij het openen van de behuizing vrijkomt.

Geventileerde behuizing – De veiligheid van het apparaat is afhankelijk van de ventilatie van de behuizing. Het uitschakelen van het apparaat of het openen van de behuizing heeft geen beduidend gevolg voor de veiligheid. De ventilatie van de ruimte mag tijdens de reparatieprocedures niet worden uitgeschakeld.

Geventileerde ruimte – De veiligheid van het apparaat is afhankelijk van de ventilatie van de ruimte. Het uitschakelen van het apparaat of het openen van de behuizing heeft geen beduidend gevolg voor de veiligheid. De ventilatie van de ruimte mag tijdens de reparatieprocedures niet worden uitgeschakeld.

Informatie over het concept van afgedichte componenten en afgedichte behuizingen overeenkomstig IEC 60079- 15:2010.

Informatie over de juiste werkprocedures:

a) Inbedrijfstelling

- Zorg dat het vloeroppervlak voldoende groot is voor het koudemiddel of dat de ventilatieslang op een juiste manier is aangebracht.
- Sluit de leidingen aan en voer een lektest uit voordat u het apparaat met koudemiddel vult.
- Controleer de veiligheidsapparatuur alvorens het apparaat in bedrijf te stellen.

b) Onderhoud

- Repareer draagbare apparatuur buiten of in een werkplaats die specifiek is bestemd voor het repareren van apparaten met ontlambaar koudemiddel.
- Zorg voor voldoende ventilatie in de werkplaats.
- Storing van de apparatuur kan optreden door verlies van koudemiddel en een koudemiddellek is mogelijk.
- Gooi condensatoren op een juiste manier weg zodat er geen vonkvorming mogelijk is. De standaardprocedure om de aansluitklemmen van condensatoren kort te sluiten veroorzaakt over het algemeen vonken.
- Breng de afgedichte behuizingen opnieuw op een juiste manier aan. Als de afdichtingen versleten zijn, vervang ze.
- Controleer de veiligheidsapparatuur alvorens het apparaat in bedrijf te stellen.

c) Reparatie

- Repareer draagbare apparatuur buiten of in een werkplaats die specifiek is bestemd voor het repareren van apparaten met ontlambaar koudemiddel.
- Zorg voor voldoende ventilatie in de werkplaats.
- Storing van de apparatuur kan optreden door verlies van koudemiddel en een koudemiddellek is mogelijk.
- Gooi condensatoren op een juiste manier weg zodat er geen vonkvorming mogelijk is.
- Als soldeerwerkzaamheden nodig zijn, voer de volgende procedures in de juiste volgorde uit:
 - Verwijder het koudemiddel. Als terugwinning door de nationale regelgeving niet vereist is, voer het koudemiddel naar buiten af. Zorg dat het afgevoerde koudemiddel geen gevaar oplevert. In geval van twijfel, laat een persoon toezicht op de uitlaat houden. Zorg ervoor dat er geen afgevoerd koudemiddel opnieuw in het gebouw stroomt.
 - Zuig het koudemiddelcircuit vacuüm.
 - Spoel het koudemiddelcircuit gedurende 5 minuten met stikstof.
 - Zuig het circuit opnieuw vacuüm.
 - Verwijder de te vervangen onderdelen door ze af te snijden, en niet met gebruik van een vlam.
 - Spoel het soldeerpunt met stikstof tijdens de soldeerprocedure.
 - Voer een lektest uit voordat u het apparaat met koudemiddel vult.
- Breng de afgedichte behuizingen opnieuw op een juiste manier aan. Als de afdichtingen versleten zijn, vervang ze.
- Controleer de veiligheidsapparatuur alvorens het apparaat in bedrijf te stellen.

d) Ontmanteling

- Als de veiligheid wordt aangetast tijdens het buiten dienst stellen van de apparatuur, verwijder het koudemiddel voordat u start met de ontmanteling.
- Zorg voor voldoende ventilatie in de ruimte waar de apparatuur zich bevindt.
- Storing van de apparatuur kan optreden door verlies van koudemiddel en een koudemiddellek is mogelijk.
- Gooi condensatoren op een juiste manier weg zodat er geen vonkvorming mogelijk is.

- Verwijder het koudemiddel. Als terugwinning door de nationale regelgeving niet vereist is, voer het koudemiddel naar buiten af. Zorg dat het afgevoerde koudemiddel geen gevaar oplevert. In geval van twijfel, laat een persoon toezicht op de uitlaat houden. Zorg ervoor dat er geen afgevoerd koudemiddel opnieuw in het gebouw stroomt.

- Zuig het koudemiddelcircuit vacuüm.
- Spoel het koudemiddelcircuit gedurende 5 minuten met stikstof.
- Zuig het circuit opnieuw vacuüm.
- Vul tot aan de atmosferische druk met stikstof.
- Breng een label op de apparatuur aan met de vermelding dat het koudemiddel is verwijderd.

e) Verwijdering

- Zorg voor voldoende ventilatie in de werkplaats.
- Verwijder het koudemiddel. Als terugwinning door de nationale regelgeving niet vereist is, voer het koudemiddel naar buiten af. Zorg dat het afgevoerde koudemiddel geen gevaar oplevert. In geval van twijfel, laat een persoon toezicht op de uitlaat houden. Zorg ervoor dat er geen afgevoerd koudemiddel opnieuw in het gebouw stroomt.

- Zuig het koudemiddelcircuit vacuüm.
- Spoel het koudemiddelcircuit gedurende 5 minuten met stikstof.
- Zuig het circuit opnieuw vacuüm.
- Snij de compressor uit en voer de olie af.

Transport, markering en opslag van apparaten die ontvlambaar koudemiddel gebruiken

Transport van apparatuur die ontvlambaar koudemiddel bevat

Opgelet! Extra transportvoorschriften kunnen gelden voor wat betreft apparatuur die ontvlambaar gas bevat. Het maximum aantal apparaten of de samenstelling van de apparatuur die samen mag worden opgeslagen wordt bepaald door de geldende transportvoorschriften.

Markering van apparatuur met behulp van aanduidingen

Aanduidingen voor gelijksoortige apparaten, die in een werkgebied worden gebruikt, worden over het algemeen bepaald door de lokale regelgeving en geven de minimum voorschriften inzake veiligheids- en/of gezondheidssignalering op het werk aan.

Alle vereiste aanduidingen moeten in een goede staat worden gehouden en de werkgevers moeten ervoor zorgen dat de werknemers gepaste en voldoende instructies en opleiding krijgen over de betekenis van de gepaste veiligheidsaanduidingen en de uit te voeren handelingen die met deze aanduidingen verband houden. De doeltreffendheid van de aanduidingen mag niet afnemen door het aanbrengen van te veel aanduidingen op een bepaalde plaats.

De gebruikte pictogrammen moeten zo eenvoudig mogelijk zijn en alleen essentiële details bevatten.

Afdanking van apparatuur die ontvlambare koudemiddelen gebruiken.

Zie de nationale wetgeving.

Opslag van apparatuur

De opslag van apparatuur moet in overeenstemming zijn met de instructies van de fabrikant.

Opslag van verpakte (niet-verkochte) apparatuur

De opslagverpakking moet zodanig worden beschermd dat mechanische beschadiging van de apparatuur in de verpakking niet kan resulteren in lekkage van het koudemiddel.

Het maximum aantal apparaten dat samen mag worden opgeslagen wordt bepaald door de lokale wetgeving.

Bardzo dziękujemy za zakup naszych produktów. Aby zagwarantować prawidłowe użytkowanie, przed użyciem prosimy uważnie przeczytać niniejszy podręcznik i instrukcję.

WAŻNE INSTRUKCJE

Podczas używania urządzeń elektrycznych, aby zmniejszyć ryzyko pożaru, porażenia prądem, oparzeń i innych urazów, należy zawsze przestrzegać podstawowych zasad bezpieczeństwa.

1. Prosimy przeczytać i zachować tę instrukcję. Uwaga: ilustracje w instrukcji obsługi są podane wyłącznie w celach orientacyjnych.
2. Pod warunkiem zapewnienia odpowiedniego nadzoru, pouczenia na temat bezpiecznej obsługi i dopilnowania zrozumienia zagrożeń, urządzenie może być używane przez dzieci w wieku od lat 8, osoby o ograniczeniach fizycznych, czuciowych lub psychicznych, a także osoby, którym brak jest doświadczenia lub wiedzy.
3. Dzieci nie powinny bawić się urządzeniem.
4. Dzieci nie mogą bez nadzoru wykonywać czynności związanych z czyszczeniem i konserwacją.
5. Jeżeli kabel zasilający zostanie uszkodzony, aby uniknąć niebezpiecznych sytuacji, należy go wymienić. Wymiany powinien dokonać producent, przedstawiciel jego serwisu lub inne osoby o podobnych kwalifikacjach.
6. Wyłącznie do użytku w zamkniętych pomieszczeniach.
7. Urządzenia nie należy używać: blisko źródła ognia, w miejscach, gdzie może chlapać olej, w miejscach bezpośrednio nasłonecznionych, w miejscach, gdzie może chlapać woda, a także obok wanny, pralni, pryszniczicy lub basenu.
8. Do wylotów powietrza nigdy nie wolno wkładać palców. Szczególną uwagę należy zwrócić na ostrzeżenie o tych zagrożeniach dzieci.

9. W czasie transportu i użytkowania urządzenie musi stać w pozycji pionowej – wynika to z konieczności odpowiedniego ustawienia kompresora.
10. Przed czyszczeniem lub przestawieniem w inne miejsce należy zawsze wyłączyć urządzenie i odłączyć zasilanie.
11. Aby nie spowodować pożaru i nie dopuścić do innych zagrożeń, urządzenia nie wolno nigdy zakrywać.
12. Wszystkie gniazdka klimatyzatora muszą spełniać wymogi bezpieczeństwa elektrycznego. W razie potrzeby należy skontrolować urządzenie pod kątem owych wymogów.
13. Urządzenie należy zainstalować zgodnie z krajowymi przepisami dotyczącymi sposobu prowadzenia okablowania.
14. Informacje o typie i amperażu bezpieczników: T, 250 V, prąd zmienny, 3,15 A.
15. W celu przeprowadzenia naprawy lub serwisowania urządzenia należy się skontaktować z technikiem autoryzowanego serwisu.
16. Nie należy ciągnąć, odkształcać ani przerabiać przewodu zasilającego, nie wolno go też zanurzać w wodzie. Ciągnięcie lub niewłaściwe użytkowanie przewodu zasilającego może doprowadzić do uszkodzenia urządzenia lub do porażenia prądem.
17. Należy przestrzegać krajowych przepisów w sprawie gazu.
18. Czynności serwisowe powinny być wykonywane wyłącznie zgodnie z zaleceniami producenta urządzenia. Czynności konserwacyjne i naprawy wymagające pomocy innych wykwalifikowanych osób powinny być wykonywane pod nadzorem osoby kompetentnej w zakresie łatwopalnych czynników chłodniczych.
19. Urządzenia nie należy włączać ani włączać przez wkładanie lub wyjmowanie wtyczki przewodu zasilającego, może to bowiem doprowadzić do porażenia prądem lub spowodować pożar wskutek wytwarzania się ciepła.

20. Jeśli z urządzenia dochodzą dziwne dźwięki, zapachy lub pojawia się dym, urządzenie należy odłączyć od zasilania.
21. Urządzenie należy zawsze podłączać do kontaktu ściennego z uziemieniem.
22. W przypadku jakichkolwiek uszkodzeń należy wyłączyć urządzenie wyłącznikiem, wyjąć wtyczkę z kontaktu i skontaktować się z autoryzowanym punktem serwisowym w celu dokonania naprawy.
23. Nie należy używać jakichkolwiek środków przyspieszających proces odszraniania lub czyszczenia innych niż te, które zaleca producent.
24. Urządzenie należy przechowywać w pomieszczeniu, w którym nie ma włączonych na stałe źródeł zapłonu (np.: otwarte płomienie, włączone urządzenie gazowe lub włączony grzejnik elektryczny).
25. Nie przebijać, nie wrzucać do ognia.
26. Należy mieć świadomość, że czynnik chłodniczy może być bezwonny.
27. Urządzenie zawiera czynnik chłodniczy R290. R290 jest chłodziwem gazowym spełniającym europejskie dyrektywy w sprawie środowiska. Nie wolno przebijać jakiegokolwiek części obwodu z czynnikiem chłodniczym.
28. Jeżeli urządzenie zostanie zainstalowane i będzie używane lub przechowywane w pomieszczeniu bez wentylacji, pomieszczenie to musi być zaprojektowane w taki sposób, aby zapobiegało zbieraniu się czynnika chłodniczego wydostającego się z obwodu wskutek nieszczelności, ponieważ stwarza on ryzyko pożaru lub wybuchu wskutek zapalenia się chłodziwa od grzejników elektrycznych, kuchenek lub innych źródeł zapłonu.
29. Urządzenie należy przechowywać w taki sposób, aby zapobiec usterce mechanicznej.
30. Osoby obsługujące obwód z czynnikiem chłodniczym lub pracujące przy nim muszą posiadać odpowiedni certyfikat wydany przez akredytowaną organizację, zapewniający posiadanie kompetencji odpowiednich do pracy przy

czynnikach chłodniczych zgodnie ze szczegółową oceną uznawaną przez stowarzyszenia branżowe.

31. Naprawy muszą być wykonywane na podstawie zaleceń producenta. Czynności konserwacyjne i naprawy wymagające pomocy innych wykwalifikowanych osób powinny być wykonywane pod nadzorem osoby przeszkolonej w zakresie łatwopalnych czynników chłodniczych.
32. Instrukcje dotyczące naprawy urządzeń zawierających czynnik chłodniczy R290 podano poniżej.
33. Po przestawieniu z miejsca na miejsce należy zawsze zostawić urządzenie, aby stało przez co najmniej 2 godziny.



Ostrzeżenie: Ryzyko pożaru / Materiały łatwopalne.



Przeczytaj instrukcje.



Podręcznik operatora; instrukcje obsługi.



Wskaźnik serwisu; przeczytaj instrukcję

techniczną.

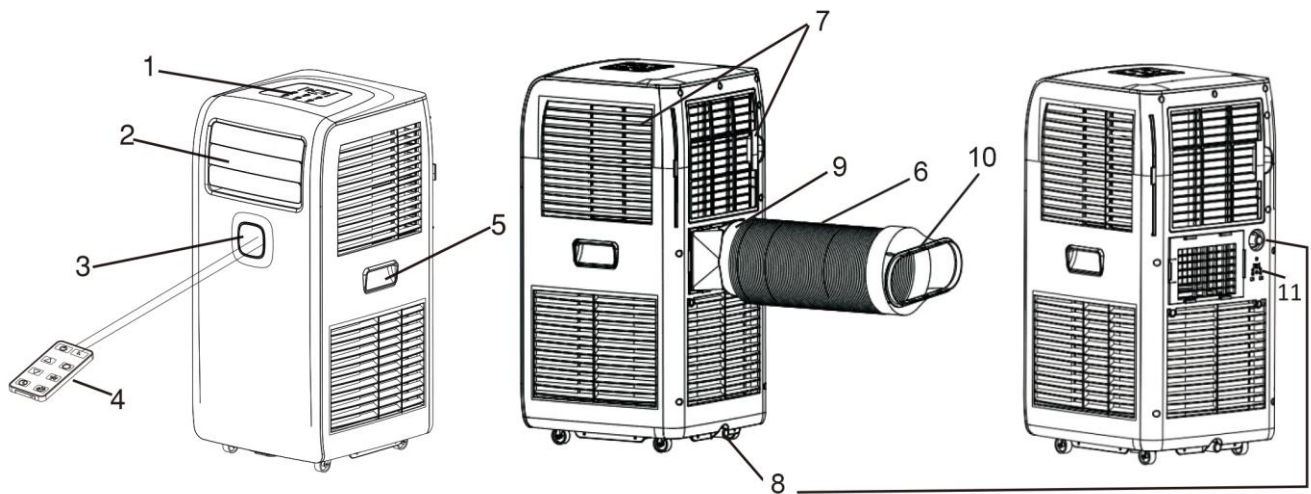
Ostrzeżenie: Otwory wentylacyjne muszą znajdować się z dala od przeszkód.

Ostrzeżenie: Urządzenie należy przechowywać w miejscu posiadającym dobrą wentylację, w pomieszczeniu o powierzchni takiej jak przewidziano dla tego urządzenia.

Wymagana odległość wokół urządzenia powinna wynosić co najmniej 30 cm.

Urządzenie powinno być zainstalowane, używane i przechowywane w pomieszczeniu o powierzchni podłogi powyżej 7.9 m².

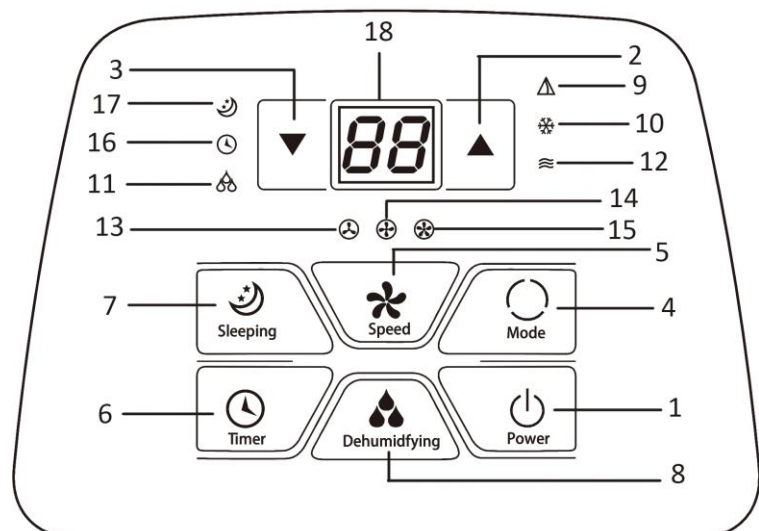
OPIS CZĘŚCI



1. Panel sterowania
2. Wylot powietrza z żaluzją
3. Odbiornik sygnału
4. Pilot
5. Uchwyt
6. Wąż odprowadzający powietrze
7. Wlot powietrza i filtr powietrza
8. Odpływ (zamknięty zatyczką)
9. Łączówka węża
10. Adapter okienny
11. Gniazdo uniwersalne/otwór (służy do przechowywania wtyczki)

Panel sterowania

1. Przycisk zasilania
2. Przycisk zwiększania temperatury/ustawienia minutnika
3. Przycisk zmniejszania temperatury/ustawienia minutnika
4. Przycisk trybu
5. Przycisk prędkości wentylatora
6. Przycisk minutnika
7. Przycisk snu
8. Przycisk osuszania powietrza
9. Kontrolka trybu automatycznego
10. Kontrolka trybu chłodzenia
11. Kontrolka trybu osuszania powietrza
12. Kontrolka trybu wentylatora
13. Kontrolka małej prędkości
14. Kontrolka średniej prędkości
15. Kontrolka minutnika
16. Kontrolka snu
17. Wyświetlacz cyfrowy



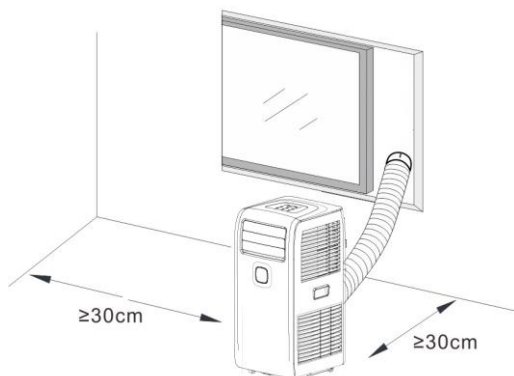
Pilot

To urządzenie jest sterowane pilotem. Z pilotem dostarczona jest jedna bateria CR2025. Przed rozpoczęciem używania pilota, z baterii należy usunąć plastikową folię zabezpieczającą. Wymiana baterii – patrz instrukcja z tyłu pilota. Jeżeli urządzenie nie będzie przez dłuższy czas używane, z pilota należy wyjąć baterię. Baterie guzikowe należy chronić przed małymi dziećmi.

Funkcje przypisane przyciskom w pilocie są takie same jak funkcje przypisane przyciskom na panelu sterowania.

INSTALACJA

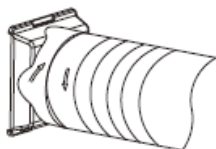
- Urządzenie należy zainstalować na płaskiej powierzchni, w miejscu, w którym nie będzie zasłonięty wylot powietrza. Wymagana odległość wokół urządzenia powinna wynosić co najmniej 30 cm.



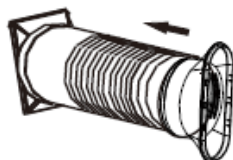
- Urządzenia nie należy instalować w pralni.
- Aby rozsunąć wąż odprowadzający powietrze, należy pociągnąć za oba jego końce.



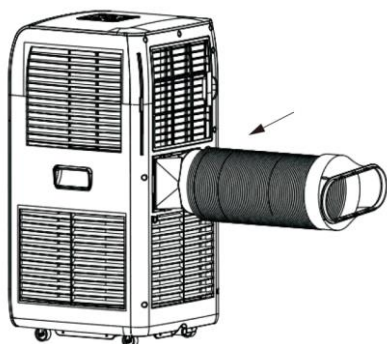
- Wkręcić na wąż odprowadzający powietrze w łączówkę węża.



- Wkręcić drugi koniec węża odprowadzającego powietrze w adapter okienny.



- Włożyć łączówkę węża w zaczepek z tyłu urządzenia.



UŻYTKOWANIE

*Po przestawieniu z miejsca na miejsce należy zawsze zostawić urządzenie, aby pozostało przez co najmniej 2 godziny.

Przed użyciem należy sprawdzić, czy wąż odprowadzający został prawidłowo zamontowany. Włożyć wtyczkę przewodu zasilającego urządzenie do kontaktu. Przed włączeniem urządzenia należy otworzyć żaluzję.

1. Przycisk zasilania

Aby włączyć urządzenie, nacisnąć przycisk zasilania. Na wyświetlaczu wyświetlona zostanie temperatura w pomieszczeniu. Urządzenie zacznie pracować.

Ponowne wciśnięcie tego samego przycisku spowoduje wyłączenie urządzenia.

2. Przyciski zwiększania i zmniejszania temperatury/ustawienia minutnika

Aby nastawić żadaną temperaturę w pomieszczeniu z przedziału od 15°C do 31°C, należy użyć przycisków

„▲”/„▼”. Przycisków tych można też używać do regulacji ustawienia minutnika podczas jego nastawiania. Z każdym wciśnięciem wartość zostanie zwiększona/zmniejszona o 1 (°C/godz.).

3. Przycisk prędkości wentylatora

Aby przełączać między ustawieniami prędkości „mała”, „średnia”, „duża”, należy naciskać przycisk

prędkości wentylatora. Zaświecą się odpowiednie kontrolki „”/ „”/ „”.

4. Przycisk trybu

Wciśnięcie przycisku trybu pozwala wybrać żądany tryb pracy AUTO, chłodzenie i wentylator. Gdy wybrany zostaje dany tryb, zapala się odpowiednia kontrolka.

- Tryb automatyczny

W trybie automatycznym (AUTO), czujnik temperatury w pomieszczeniu pracuje automatycznie i na podstawie jego wskazania wybrany zostaje żądany tryb pracy, chłodzenie lub działanie wentylatora: gdy temperatura w pomieszczeniu jest nie większa niż 24°C, urządzenie automatycznie wybiera tryb chłodzenia, natomiast gdy temperatura w pomieszczeniu spadnie poniżej 24°C, wówczas urządzenie automatycznie wybiera tryb wentylatora.

- Tryb chłodzenia

Gdy temperatura w pomieszczeniu przekracza nastawioną temperaturę, zaczyna pracować kompresor.

Gdy temperatura w pomieszczeniu jest niższa niż nastawiona temperatura, kompresor wyłącza się i wentylator pracuje z początkowo ustawioną prędkością.

Uwaga: Gdy pracuje kompresor, urządzenie lekko wibruje. Jest to normalne i nieszkodliwe.

- Tryb wentylatora

Gdy wentylator pracuje z nastawioną prędkością, kompresor nie pracuje.

Regulacja temperatury w trybie wentylatora jest nieskuteczna.

5. Osuszanie powietrza

- Aby włączyć funkcję, należy nacisnąć przycisk osuszania powietrza. Wentylator pracuje z małą prędkością. Prędkości wentylatora i temperatury nie można regulować.
- Sprężarka wyłączy się po 8 minutach pracy, a następnie, po 6 minutach, włączy się i będzie pracować ponownie.
- Nacisnąć przycisk trybu, aby przełączyć urządzenie w tryb AUTO / chłodzenie / wentylator.

6. Przycisk minutnika

Ustawianie automatycznego włączenia

- Gdy urządzenie jest wyłączone, należy wcisnąć przycisk minutnika, kontrolka minutnika zacznie migać.

- Przyciskami zwiększania i zmniejszania ustawienia minutnika wybrać żądany czas automatycznego włączenia: od 1 do 24 godzin. Kontrolki minutnika będzie przez kilka sekund migać, a potem zacznie się świecić światłem ciągłym. Wyświetlacz cyfrowy wyłączy się. Ustawienie minutnika zostało potwierdzone.
- Użytkownik może jednocześnie wybrać prędkość wentylatora i tryb działania.
- Gdy upłynie nastawiony czas, urządzenie włączy się automatycznie.

Ustawianie automatycznego wyłączenia

- Gdy urządzenie jest włączone, należy wcisnąć przycisk minutnika, kontrolka minutnika zacznie migać.
- Przyciskami zwiększania i zmniejszania ustawienia minutnika wybrać żądany czas automatycznego wyłączenia: od 1 do 24 godzin. Kontrolki minutnika będzie przez kilka sekund migać, a potem zacznie się świecić światłem ciągłym. Wyświetlacz cyfrowy pokaże temperaturę w pomieszczeniu. Ustawienie minutnika zostało potwierdzone.
- Gdy upłynie nastawiony czas, urządzenie wyłączy się automatycznie.

Aby anulować działanie minutnika, wystarczy ustawić czas na 0 godzin lub przejść w tryb ustawiania minutnika i gdy wyświetlacz cyfrowy zacznie migać nacisnąć przycisk minutnika ponownie. Kontrolka minutnika zgaśnie.

7. Przycisk snu (aktywny tylko w trybie chłodzenia)

Aby włączyć tryb snu, należy nacisnąć przycisk snu. Zapali się kontrolka trybu snu.

W trybie snu wentylator automatycznie przełącza się na małą prędkość. Nastawiona temperatura zwiększy się po godzinie o 1°C, a po dwóch godzinach o 2°C. Po 6 godzinach urządzenie wyłącza się automatycznie.

UWAGA:

- W następujących warunkach może zadziałać układ zabezpieczający, co spowoduje wyłączenie urządzenia.

Chłodzenie	Temperatura w pomieszczeniu wynosi ponad 43°C.
	Temperatura w pomieszczeniu wynosi poniżej 15°C.
Osuszanie powietrza	Temperatura w pomieszczeniu wynosi poniżej 15°C.

- Jeśli urządzenie pracuje w trybie chłodzenia lub osuszania przy otwartych przez długi czas drzwiach lub oknach i przy wilgotności względnej przekraczającej 80%, z wylotu powietrza może kapać rosa.

Spuszczanie wody

- 1) Specjalne przypomnienie: W urządzeniu wbudowany jest mechanizm recyrkulacji skraplającej się wody. Skraplająca się woda jest częściowo recyrkulowana między skraplaczem a tacą na wodę. Gdy poziom wody podniesie się do poziomu górnego, na wyświetlaczu cyfrowym wyświetlany jest kod „E4” zapelnienia zbiornika na wodę, co stanowi przypomnienie o konieczności spuszczenia wody.
- 2) Aby spuścić całą wodę ze zbiornika na wodę, należy wyłączyć zasilanie, przestawić urządzenie w odpowiednie miejsce i wyjąć zatyczkę z odpływu. Jeśli pozwalają na to warunki, do odpływu można też podłączyć wężyk do spuszczenia wody, co ułatwia odprowadzanie wody. W urządzeniu są dwa porty spuszczenia wody.
- 3) Po spuszczeniu wody ze zbiornika na wodę, odpływ należy z powrotem zatkać zatyczką, inaczej z urządzenia będzie ciekła woda.

CZYSZCZENIE I KONSERWACJA

- Przed czyszczeniem należy koniecznie odłączyć urządzenie od zasilania elektrycznego.
- Do czyszczenia urządzenia nie wolno używać benzyny ani jakichkolwiek innych chemikaliów.
- Urządzenia nie należy bezpośrednio myć.

- Jeśli urządzenie zostanie uszkodzone, należy skontaktować się z dystrybutorem lub punktem naprawy.

Filtr powietrza

Jeśli filtry powietrza zapychają się kurzem/brudem, należy je czyścić raz na dwa tygodnie.

- Wysunąć filtry powietrza za ciągnio.
- Wyczyścić filtr powietrza obojętnym detergentem w letniej wodzie (< 40°C) i wysuszyć w cieniu.
- Założyć z powrotem filtr powietrza.



Czyszczenie powierzchni

Najpierw należy wyczyścić powierzchnię obojętnym detergentem i wilgotną ściereczką, a potem wytrzeć ją suchą szmatką.

ROZWIĄZYWANIE PROBLEMÓW

Problemy	Możliwe przyczyny	Rozwiązania
Nie jest wystarczająco chłodno	Nie są zamknięte drzwi lub okna.	Upewnić się, że drzwi i okna są zamknięte.
	W pomieszczeniu znajdują się źródła ciepła.	Jeśli to możliwe, usunąć źródła ciepła.
	Wąż odprowadzający gorące powietrze jest niepodłączony lub zatkany.	Podłączyć lub wyczyścić wąż odprowadzający gorące powietrze.
	Zbyt wysokie ustawienie temperatury.	Zresetować temperaturę.
	Wlot/wylot powietrza jest zablokowany.	Wyczyścić wlot/wylot powietrza.
Hałaśliwa praca	Podłoże nie jest poziome lub nie jest wystarczająco płaskie.	Jeśli to możliwe, ustawić urządzenie na płaskiej, poziomej powierzchni.
	Z urządzenia dochodzą odgłosy przepływającego w instalacji czynnika chłodniczego.	Jest to normalne.
Na wyświetlaczu cyfrowym wyświetlany jest kod „E2”	Usterka czujnika temperatury w pomieszczeniu.	Wymienić czujnik temperatury w pomieszczeniu. Skontaktować z technikiem autoryzowanego serwisu w celu przeprowadzenia naprawy.
Na wyświetlaczu cyfrowym wyświetlany jest kod „E3”	Usterka czujnika temperatury w parowniku.	Wymienić czujnik temperatury w parowniku. Skontaktować z technikiem autoryzowanego serwisu w celu przeprowadzenia naprawy.
Na wyświetlaczu cyfrowym wyświetlany jest kod „E4”	Ostrzeżenie o napełnieniu zbiornika z wodą	Spuścić wodę.

DANE TECHNICZNE

Poniższe dane mogą się przydać podczas użytkowania urządzenia

Model	PAC-125152
Napięcie znamionowe	220-240V
Częstotliwość znamionowa	50Hz
Znamionowa moc wejściowa	950W
Prąd znamionowy	4.3A
Wydajność chłodzenia	9000BTU
Usuwanie wilgoci (l/h)	1.0
Przepływ powietrza	300m ³ /h

ERP – INFORMACJE

	Wartość
Znak towarowy	Emerio
Określenie modelu	PAC-125152
Poziom hałasu (chłodzenie)	64.3dB(A)
Nazwa czynnika chłodniczego	R290
Znamionowa moc wejściowa chłodzenia (kW)	0.95
Współczynnik efektywności energetycznej	2.6
GWP (kgCO ₂ eq)	3
Klasa efektywności energetycznej	A
Pobór energii dla urządzeń dwukanałowych (kWh/h)	-
Pobór energii dla urządzeń jednokanałowych (kWh/h)	0.96
Pobór energii w trybie wyłączonego termostatu (W)	-
Pobór energii w trybie gotowości (W)	0.43
Wydajność chłodzenia	9000BTU
<p>Wycieki czynnika chłodzącego przyczyniają się do zmian klimatu. W przypadku dostania się do atmosfery, czynnik chłodniczy o niższym całkowitym potencjale tworzenia efektu cieplarnianego (GWP) w mniejszym stopniu przyczyniałby się do globalnego ocieplenia niż czynnik chłodniczy o wyższym GWP. Urządzenie zawiera czynnik chłodniczy o GWP równym 3. Oznacza to, że jeżeli 1 kg owego czynnika chłodniczego ulotni się do atmosfery, wówczas wpływ na globalne ocieplenie będzie 3 razy wyższy niż wpływ 1 kg CO₂ w okresie 100 lat. Nigdy nie należy próbować samodzielnie ingerować w obwód z czynnikiem chłodniczym ani samodzielnie rozmontowywać produkt – należy zawsze poprosić o pomoc profesjonalistę.</p> <p>#Zużycie energii 0.96 kWh w przypadku modelu PAC-125152 w czasie 60 minut użytkowania w standardowych warunkach testowych. Faktyczne zużycie energii zależy od sposobu używania urządzenia oraz od miejsca, w którym jest ono ustawione.</p> <p>W celu uzyskania dodatkowych informacji, prosimy o kontakt: Emerio Holland B.V. Zomervaat 1A 2033 DA Haarlem The Netherlands Dział obsługi klienta: T: +31(0)23 3034369 E: info.nl@emerio.eu</p>	

GWARANCJA I SERWIS KONSUMENCKI

Przed dostarczeniem do klienta nasze urządzenia poddawane są rygorystycznej kontroli jakości. Jeśli, pomimo wszelkich starań, podczas produkcji lub transportu pojawi się uszkodzenie, należy zwrócić urządzenie do sprzedawcy. Dodatkowo do stosowanych powszechnie przepisów, nabywca ma prawo do reklamacji na podstawie warunków niniejszej gwarancji:

Dla każdego zakupionego urządzenia zapewniamy 2 lata gwarancji, poczynając od dnia zakupu. Uszkodzony produkt można zwrócić bezpośrednio w punkcie zakupu.

Niniejsza gwarancja nie obejmuje uszkodzeń spowodowanych niewłaściwą obsługą urządzenia, usterek w wyniku modyfikacji i napraw wykonanych przez strony trzecie lub w wyniku użycia nieoryginalnych części. Należy zachować dowód zakupu, który jest jedyną podstawą złożenia roszczenia gwarancyjnego. Producent nie ponosi odpowiedzialności za uszkodzenia powstałe w wyniku nieprzestrzegania instrukcji obsługi. Powoduje to unieważnienie gwarancji. Producent nie ponosi odpowiedzialności za szkody materiałowe ani obrażenia ciała spowodowane niewłaściwą obsługą urządzenia i nieprzestrzeganiem instrukcji obsługi. Uszkodzenie akcesoriów nie oznacza bezpłatnej wymiany całego urządzenia. W takim wypadku prosimy o kontakt z naszym serwisem. Stłuczone elementy szklane lub pęknięte elementy plastikowe są wymieniane za

opłatą. Uszkodzenia materiałów eksploatacyjnych lub części podlegających zużyciu, a także czyszczenie, konserwacja i wymiana wspomnianych części nie jest objęta gwarancją i podlega opłacie.

USUWANIE PRZYJAZNE ŚRODOWISKU



Recykling – Dyrektywa europejska nr 2012/19/UE

Ten znak oznacza, że urządzenia nie należy wyrzucać razem z innymi odpadami domowymi. Aby zapobiec możliwym szkodom dla środowiska i zdrowia ludzi spowodowanym niekontrolowaną utylizacją odpadów, poddaj produkt procesowi recyklingu w celu promowania zrównoważonego ponownego wykorzystywania zasobów materiałowych. Aby zwrócić zużyte urządzenie, skorzystaj z systemu oddawania zużytych produktów lub skontaktuj się ze sprzedawcą. Sprzedawca może przyjąć produkt w celu przeprowadzenia bezpiecznego dla środowiska recyklingu.



BATERIĘ NALEŻY ODPOWIEDNIO ZUTYLIZOWAĆ LUB PODDAĆ RECYKLINGOWI. NIE OTWIERAĆ. NIE WRZUCAĆ DO OGNIA, NIE ZWIERAĆ STYKÓW.

Emerio Holland B.V.
Zomervaat 1A
2033 DA Haarlem
The Netherlands

Dział obsługi klienta:

T: +31(0)23 3034369
E: info.nl@emerio.eu

INSTRUKCJA NAPRAWY URZĄDZEŃ ZAWIERAJĄCYCH CZYNNIK CHŁODNICZY R290

1. Serwisowanie

1) Kontrole na miejscu

Aby do minimum ograniczyć ryzyko zapłonu, przed rozpoczęciem prac przy systemach zawierających łatwopalne czynniki chłodnicze konieczne są kontrole bezpieczeństwa. W przypadku naprawy układu chłodzącego, przed przystąpieniem do pracy przy systemie należy zastosować następujące środki ostrożności.

2) Procedura pracy

Aby zminimalizować ryzyko występowania łatwopalnych gazów lub oparów w czasie wykonywania prac, prace należy podejmować zgodnie z kontrolowaną procedurą.

3) Miejsce wykonywania pracy – ogólnie

Wszyscy pracownicy zajmujący się konserwacją oraz inni pracujący w pobliżu powinni zostać poinstruowani o charakterze wykonywanych prac. Należy unikać wykonywania prac w ciasnych miejscach. Otoczenie miejsca wykonywania prac należy wydzielić. Poprzez kontrole materiałów łatwopalnych należy pilnować, aby warunki w obrębie miejsca wykonywania prac były bezpieczne.

4) Sprawdzenie obecności czynnika chłodniczego

Aby mieć gwarancję, że technik ma świadomość potencjalnie łatwopalnej atmosfery, przed rozpoczęciem i w czasie wykonywania pracy, miejsce pracy należy sprawdzić odpowiednim detektorem czynnika chłodniczego. Należy dopilnować, aby używane urządzenie do wykrywania nieszczelności nadawało się do używania do łatwopalnych czynników chłodniczych, tj. nie może ono powodować iskrzenia, musi być odpowiednio szczelnie zamknięte lub bezpieczne samo z siebie.

5) Obecność gaśnicy

Jeżeli przy urządzeniu chłodzącym lub elementach z nim powiązanych mają być wykonywane jakiegokolwiek prace powodujące wytwarzanie się ciepła, należy mieć pod ręką odpowiedni sprzęt gaśniczy. W pobliżu miejsca nabijania instalacji należy mieć suchą gaśnicę proszkową lub CO₂.

6) Brak źródeł zapłonu

Żadna osoba wykonująca prace dotyczące instalacji chłodzącej, w czasie których dochodzi do odsłonięcia jakiegokolwiek rury z łatwopalnym czynnikiem chłodniczym nie może używać jakichkolwiek źródeł zapłonu w sposób, który mógłby powodować ryzyko wystąpienia pożaru lub wybuchu. Wszystkie możliwe źródła zapłonu, w tym zapalone papierosy, należy trzymać w wystarczającej odległości od miejsca instalacji, naprawy, usuwania i utylizacji, w czasie których łatwopalny czynnik chłodniczy można wypuścić do otoczenia. Przed wykonaniem pracy miejsce wokół urządzenia należy skontrolować, tak aby mieć pewność, że nie ma w nim żadnych łatwopalnych zagrożeń ani ryzyk zapłonu. Należy stosować znaki „No Smoking” („Zakaz palenia”).

7) Wentylacja na miejscu

Przed dostaniem się do instalacji lub wykonaniem jakiegokolwiek pracy na gorąco, należy pilnować, aby miejsce pracy znajdowało się na dworze lub aby miało zapewnioną dobrą wentylację. W czasie wykonywania pracy wentylacja będzie kontynuowana. Wentylacja powinna bezpiecznie rozprowadzić jakiegokolwiek ewentualne ilości wypuszczonego czynnika chłodniczego, a najlepiej, aby usunęła go na zewnątrz do atmosfery.

8) Sprawdzenie instalacji z czynnikiem chłodniczym

W przypadku wymiany podzespołów elektronicznych, muszą one nadawać się do tego celu i posiadać prawidłową specyfikację. Należy zawsze przestrzegać wytycznych producenta w sprawie konserwacji i serwisowania. W razie wątpliwości, w celu uzyskania pomocy należy skonsultować się z działem technicznym producenta.

W instalacjach z łatwopalnym czynnikiem chłodniczym należy przeprowadzić następujące kontrole:

- Zastosowana ilość czynnika chłodniczego jest dostosowana do wielkości pomieszczenia, w którym są zainstalowane części zawierające czynnik chłodniczy;
- Części mechaniczne i wyloty wentylacji działają w prawidłowy sposób i nie są zablokowane;
- Jeśli stosowany jest niebezpośredni obwód z czynnikiem chłodniczym, należy skontrolować drugi obwód pod kątem występowania w nim czynnika chłodniczego;

- Oznakowanie urządzenia jest nadal widoczne i czytelne. Nieczytelne oznakowanie i znaki należy poprawić;
- Przewód lub podzespoły czynnika chłodniczego są zainstalowane w pozycji, w której mało prawdopodobne jest ich narażenie na działanie substancji, które mogłyby doprowadzić do skorodowania podzespołów zawierających czynnik chłodniczy, chyba że podzespoły te są zbudowane z materiałów, które z samej swojej natury są odporne na korozję lub są zabezpieczone przed korozją.

9) Kontrole urządzeń elektrycznych

Naprawa i czynności konserwacyjne podzespołów elektrycznych powinny obejmować wstępne kontrole bezpieczeństwa i procedury sprawdzania podzespołów. Jeżeli wystąpi usterka, która mogłaby stanowić zagrożenie dla bezpieczeństwa, wówczas zanim usterka ta nie zostanie w satysfakcjonujący sposób usunięta do obwodu nie należy podłączać jakiegokolwiek zasilania. Jeżeli usterki nie da się usunąć natychmiast, ale system musi kontynuować pracę, wówczas należy wykorzystać odpowiednie rozwiązanie tymczasowe. Fakt ten należy zgłosić właścicielowi urządzenia, tak aby zostały o tym poinformowane wszystkie zainteresowane osoby. Początkowe kontrole bezpieczeństwa powinny obejmować:

- Rozładowanie kondensatorów: powinno się ono odbywać w bezpieczny sposób, tak aby uniknąć możliwości iskrzenia;
- Brak podzespołów elektrycznych pod napięciem, okablowanie nie jest narażone podczas nabijania czynnika chłodniczego, odzyskiwania go i czyszczenia instalacji;
- Sprawdzenie ciągłości uziemienia.

2. Naprawy szczelnie zamkniętych podzespołów

1) W czasie napraw szczelnie zamkniętych podzespołów, przed zdjęciem uszczelnionych osłon, pokryw itp. od naprawianego urządzenia należy odłączyć wszystkie elektryczne źródła zasilania. Jeżeli podczas serwisowania posiadanie zasilania elektrycznego urządzenia jest absolutnie konieczne, wówczas w najbardziej krytycznym punkcie należy zainstalować działający non-stop układ wykrywania upływów, który ostrzegałby o potencjalnie niebezpiecznych sytuacjach.

2) Aby wskutek wykonywania prac przy podzespołach elektrycznych obudowa nie została naruszona w sposób wpływający na poziom ochrony, należy zwrócić szczególną uwagę na następujące kwestie. Dotyczy to uszkodzenia kabli, zbyt dużej liczby połączeń, wyprowadzeń wykonanych niezgodnie z pierwotną specyfikacją, uszkodzenia uszczelki, nieprawidłowego zamontowania dławików itp.

Dopilnować, aby urządzenie było zamontowane w bezpieczny sposób. Dopilnować, aby uszczelki lub materiały uszczelniające nie były zużyte w takim stopniu, że nie spełniałyby już swojej funkcji zabezpieczania przed przepuszczeniem łatwopalnych gazów. Wymiana części musi się odbywać zgodnie ze specyfikacją producenta.

UWAGA: Używanie uszczelki silikonowej może ograniczać skuteczność działania niektórych rodzajów urządzeń do wykrywania nieszczelności. Podzespoły bezpieczne same z siebie nie muszą być izolowane przed przystąpieniem do wykonywania przy nich prac.

3. Naprawy podzespołów bezpiecznych samych z siebie

Bez zagwarantowania, że nie spowodują one przekroczenia napięcia i prądu dopuszczalnego podczas używania urządzenia, do obwodu nie należy podłączać jakichkolwiek stałych obciążeń indukcyjnych lub pojemnościowych. Podzespoły bezpieczne same z siebie są jedynym rodzajem podzespołów, przy których można pracować pod napięciem i w obecności łatwopalnych gazów w powietrzu. Urządzenie testujące musi mieć odpowiedni zakres pracy. Podzespoły należy wymieniać tylko na części określone przez producenta. Inne części mogłyby doprowadzić do zapalenia się czynnika chłodniczego przedostającego się do powietrza wskutek nieszczelności.

4. Okablowanie

Należy sprawdzić, czy okablowanie nie jest narażone na zużycie, korozję, nadmierne obciążenie, drgania, kontakt z ostrymi krawędziami lub jakiegokolwiek inne szkodliwe wpływy środowiskowe. Kontrola powinna także uwzględniać wpływ starzenia się lub ciągłego narażenia na drgania powodowanego przez elementy takie jak kompresory lub wentylatory.

5. Wykrywanie łatwopalnych czynników chłodniczych

Do poszukiwania lub wykrywania nieszczelności instalacji z czynnikiem chłodniczym nie wolno w żadnym wypadku używać rozwiązań stanowiących potencjalne źródła iskrzenia. Nie wolno stosować lamp halogenkowych (ani jakichkolwiek innych detektorów wykorzystujących nieosłonięty płomień).

6. Metody wykrywania nieszczelności

Następujące metody wykrywania nieszczelności uznaje się za dopuszczalne w przypadku instalacji zawierających łatwopalny czynnik chłodniczy.

Do wykrywania łatwopalnych czynników chłodniczych można używać elektronicznych wykrywaczy nieszczelności, ale ich czułość może nie być wystarczająca lub mogą one wymagać ponownej kalibracji. (Urządzenia wykrywające należy kalibrować w miejscu, w którym czynnik chłodniczy nie występuje.) Należy pilnować, aby wykrywacz nie stanowił potencjalnego źródła zapłonu i aby nadawał się do stosowanego czynnika chłodniczego. Urządzenie wykrywające nieszczelności należy ustawić na wartość procentową LFL czynnika chłodniczego i skalibrować na stosowany czynnik chłodniczy. Odpowiednia wartość procentowa gazu (maks. 25%) zostanie potwierdzona. Do większości czynników chłodniczych można stosować płyny wykrywające nieszczelności, jednak należy wtedy unikać stosowania detergentów zawierających chlor, ponieważ chlor może reagować z czynnikiem chłodniczym i może prowadzić do korozji instalacji wykonanej z rur miedzianych. Jeśli istnieje podejrzenie występowania jakiejś nieszczelności, należy usunąć/zgasić wszystkie otwarte płomienie. Jeśli zostanie wykryta nieszczelność instalacji z czynnikiem chłodniczym, a jej usunięcie wymaga lutowania, z instalacji należy odzyskać cały czynnik chłodniczy lub należy go odizolować (zaworami odcinającymi) w części instalacji znajdującej się z dala od nieszczelności. Przed lutowaniem i w czasie lutowania przez instalację należy przepompowywać azot beztlenowy (OFN).

7. Usuwanie i odpompowywanie powietrza, wilgoci i gazów niekondensujących

Kiedy trzeba się dostać do obwodu z czynnikiem chłodniczym – aby dokonać naprawy lub w innym celu – należy stosować procedury konwencjonalne. Jednakże, z uwagi na łatwopalność, ważne jest, aby stosować najlepsze praktyki. Należy więc przestrzegać następującej procedury postępowania:

- Usunąć czynnik chłodniczy;
- Przedmuchać obwód gazem obojętnym;
- Odpompować powietrze, wilgoć i gazy niekondensujące;
- Ponownie przedmuchać gazem obojętnym;
- Otworzyć obwód – przeciąć go lub rozlutować.

Czynnik chłodniczy należy odpompować do odpowiednich butli. Aby ją zabezpieczyć, instalacja zostanie „przepłukana” za pomocą OFN. Procedurę tę będzie być może trzeba kilkakrotnie powtórzyć. Do wykonania tego zadania nie należy używać sprężonego powietrza ani tlenu. Przepłukiwanie powinno polegać na wpompowaniu do instalacji OFN i napełnieniu jej do ciśnienia roboczego, następnie spuszczeniu gazu do atmosfery i w końcu odpompowaniu powietrza. Procedurę tę należy powtarzać aż do momentu, gdy w instalacji nie będzie już w ogóle czynnika chłodniczego. Po ostatecznym napełnieniu instalacji OFN, gaz należy spuścić z instalacji tak, aby uzyskać w instalacji ciśnienie atmosferyczne i aby można było wykonać potrzebne prace. W przypadku lutowania przewodów rurowych operacja ta jest absolutnie kluczowa. Należy dopilnować, aby wylot z pompy próżniowej nie znajdował się w pobliżu jakichkolwiek źródeł zapłonu i aby dostępna była odpowiednia wentylacja.

8. Procedura nabijania instalacji

Oprócz konwencjonalnych procedur nabijania instalacji, należy spełnić następujące wymagania.

- Podczas używania urządzeń nabijających należy pilnować, aby nie doszło do wzajemnego zanieczyszczenia się różnych czynników chłodniczych. Wężę i przewody powinny być ja najkrótsze, aby ograniczyć do minimum ilość znajdującego się w nich czynnika chłodniczego.
- Butle należy trzymać w pozycji pionowej.
- Należy pilnować, aby instalacja z czynnikiem chłodniczym została przed jej nabiciem uziemiona.
- Po zakończeniu nabijania czynnikiem chłodniczym, instalację należy oznakować etykietą (o ile nie zostało to zrobione wcześniej).
- Należy bardzo uważać, aby nie przepętnić instalacji chłodniczej.

Przed nabiciem instalacji chłodniczej należy sprawdzić ją pod ciśnieniem za pomocą OFN. Po zakończeniu nabijania, ale przed oddaniem do użytku, należy sprawdzić szczelność instalacji. Przed opuszczeniem miejsca wykonywania prac należy przeprowadzić dodatkowe badanie szczelności.

9. Zakończenie użytkowania

Przed wykonaniem tej procedury należy koniecznie upewnić się, że technik doskonale i z wszystkimi szczegółami zna urządzenie. Jako dobrą praktykę zaleca się bezpieczne odzyskiwanie wszystkich czynników chłodniczych. Przed przystąpieniem do wykonywanego zadania należy pobrać próbki oleju i czynnika chłodniczego na wypadek, gdyby przed ponownym użyciem odzyskanego czynnika było przeprowadzenie ich analizy. Bardzo ważne jest, aby przed rozpoczęciem wykonywania zadania zagwarantować dostęp zasilania elektrycznego.

- a) Należy zapoznać się z urządzeniem i jego działaniem.
- b) Instalację należy zaizolować elektrycznie.
- c) Przed podjęciem próby wykonania procedury, należy dopilnować, aby:
 - Były dostępne urządzenia do obsługi mechanicznej, o ile są one potrzebne do butli z czynnikiem chłodniczym;
 - Były dostępne i prawidłowo używane wszystkie środki ochrony indywidualnej;
 - Proces odzyskiwania był przez cały czas nadzorowany przez kompetentną osobę;
 - Urządzenia i butle do odzyskiwania spełniały odpowiednie normy.
- d) Jeśli to możliwe, z instalacji należy odpompować czynnik chłodniczy.
- e) Jeśli nie da się uzyskać próżni, należy wykonać rozgałęzienia, tak aby czynnik chłodniczy można było odpompować z różnych części instalacji.
- f) Przed rozpoczęciem procesu odzyskiwania czynnika chłodniczego należy dopilnować, aby butla została ustawiona na wadze.
- g) Włączyć maszynę odzyskującą i postępować zgodnie z instrukcjami producenta.
- h) Nie należy przepętniać butli. (Należy ją napełnić w nie więcej niż 80% objętości ciekłego czynnika chłodniczego).
- i) Nie należy przekraczać maksymalnego ciśnienia roboczego w butli, nawet przez chwilę.
- j) Po prawidłowym napełnieniu butli i po zakończeniu procedury należy się upewnić, że butle zostały usunięte i odsunięte z instalacji i że wszystkie zawory izolacyjne są zamknięte.
- k) Odzyskanego czynnika chłodniczego nie używać w innych instalacjach chłodniczych, chyba że zostanie on oczyszczony i sprawdzony.

10. Etykietowanie

Urządzenie należy oznaczyć etykietą stwierdzającą, że zostało ono wycofane z użytkowania i opróżnione z czynnika chłodniczego. Etykieta powinna mieć datę i podpis. Należy pilnować, aby na urządzeniu znajdowała się etykieta z informacją, że zawiera ono łatwopalny czynnik chłodniczy.

11. Odzyskiwanie

Podczas odzyskiwania czynnika chłodniczego z instalacji bądź w celu serwisowania, bądź przed zakończeniem użytkowania zaleca się jako dobrą praktykę bezpieczne usuwanie całego czynnika chłodniczego. Przy przenoszeniu czynnika chłodniczego do butli należy używać odpowiednich butli do odzysku czynników chłodniczych. Należy dopilnować, aby dostępna była wystarczająca liczba butli na cały czynnik chłodniczy. Wszystkie butle, które będą używane są przeznaczone na odzyskiwany czynnik chłodniczy i odpowiednio oznaczone (tj. specjalne butle do odzysku danego czynnika chłodniczego). Butle powinny być wyposażone w zawór upustowy oraz sprawne zawory odcinające. Puste butle do odzysku czynnika chłodniczego należy usuwać, a przed odzyskiem w miarę możliwości schładzać. Urządzenia do odzysku muszą być sprawne i w dobrym stanie i muszą posiadać dołączone do nich instrukcje; urządzenia te muszą też być dostosowane do odzyskiwania czynników łatwopalnych. Dodatkowo, musi być dostępny zestaw skalibrowanych wag – w pełni sprawnych i w dobrym stanie. Węże powinny być wyposażone w sprawne łączówki umożliwiające szczelne rozłączanie. Przed użyciem maszyny do odzysku należy sprawdzić, czy jest ona sprawna i czy jej stan jest zadowalający, czy była prawidłowo serwisowana i czy podzespoły elektryczne są szczelnie zamknięte, co zabezpiecza przed zapłonem czynnika chłodniczego w przypadku jego ułatniania się. W razie wątpliwości należy skonsultować się z producentem. Odzyskany czynnik chłodniczy należy zwrócić do dostawcy czynnika w odpowiedniej butli do odzysku oraz z odpowiednim dokumentem poświadczającym przekazanie odpadów. Nie należy mieszać między sobą czynników chłodniczych w butlach. Jeśli mają być usunięte kompresor lub olej z kompresora, należy dopilnować, aby zostały one usunięte do akceptowalnego poziomu, tak aby mieć pewność, że łatwopalny czynnik chłodniczy nie pozostał w smarze. Przed zwróceniem kompresora dostawcom należy przeprowadzić procedurę odpompowania powietrza, wilgoci i gazów niekondensujących. W celu przyspieszenia procesu można stosować tylko ogrzewanie elektryczne. Gdy z instalacji będzie spuszcany olej, należy to wykonać bezpiecznie.

Kompetencje pracowników serwisu

Kwestie ogólne

W przypadku urządzeń, w których stosowany jest łatwopalny czynnik chłodniczy, oprócz szkolenia nt. zwykłych procedur naprawy urządzeń chłodzących wymagane jest specjalne szkolenie dodatkowe.

W wielu krajach szkolenie to jest prowadzone przez organizacje szkoleniowe o zasięgu krajowym, posiadające akredytację do prowadzenia szkoleń z zakresu odpowiednich kompetencji i standardów, które mogą być określone w przepisach prawa.

Uzyskany poziom kompetencji powinien być udokumentowany certyfikatem.

Szkolenie

Szkolenie powinno obejmować następujące elementy:

Informacje o możliwości wybuchu łatwopalnych czynników chłodniczych pokazujące, że nieuważne obchodzenie się z substancjami łatwopalnymi może być niebezpieczne.

Informacje o możliwych źródłach zapłonu, zwłaszcza zaś takich, które nie są oczywiste, jak np. zapalniczki, przełączniki oświetlenia, odkurzacze i grzejniki elektryczne.

Informacje o różnych koncepcjach bezpieczeństwa:

Bez wentylacji – Bezpieczeństwo urządzenia nie zależy od wentylacji obudowy. Wyłączenie urządzenia lub otwarcie obudowy nie ma istotnego wpływu na bezpieczeństwo. Jest jednak możliwe, że ułatniający się czynnik chłodniczy może zbierać się wewnątrz obudowy i że po otwarciu obudowy zostaną z niej wypuszczone łatwopalne wyziewy.

Wentylowana obudowa – Bezpieczeństwo urządzenia zależy od wentylacji obudowy. Wyłączenie urządzenia lub otwarcie obudowy ma istotny wpływ na bezpieczeństwo. Należy pilnować, aby zawczasu zapewnić wystarczającą wentylację.

Wentylowane pomieszczenie – Bezpieczeństwo urządzenia zależy od wentylacji pomieszczenia. Wyłączenie urządzenia lub otwarcie obudowy nie ma istotnego wpływu na bezpieczeństwo. Na czas wykonywania procedur związanych z naprawą nie należy wyłączać wentylacji pomieszczenia.

Informacje na temat koncepcji zamkniętych szczelnie podzespołów i zamkniętych szczelnie obudów zgodnie z normą IEC 60079-15:2010.

Informacje na temat prawidłowych procedur wykonywania pracy:

a) Oddanie do użytkowania

- Dopilnować, aby zastosowana ilość czynnika chłodniczego była wystarczająca w stosunku do powierzchni pomieszczenia i aby wąż wentylacyjny był zamontowany w prawidłowy sposób.
- Przed napełnieniem układu czynnikiem chłodniczym, połączyć rury i przeprowadzić próbę szczelności.
- Przed oddaniem do użytkowania sprawdzić działanie mechanizmów zabezpieczających.

b) Konserwacja

- Urządzenia przenośne należy naprawiać na dworze lub w warsztacie specjalnie wyposażonym pod kątem serwisowania urządzeń zawierających łatwopalny czynnik chłodniczy.
- W miejscu wykonywania naprawy należy zapewnić wystarczającą wentylację.
- Należy zdawać sobie sprawę z tego, że nieprawidłowe działanie urządzenia może być spowodowane ubytkiem czynnika chłodniczego oraz że instalacja może być nieszczelna.
- Kondensatory należy rozładowywać w sposób niepowodujący iskrzenia. Standardowa procedura zwierania wyprowadzeń kondensatora zazwyczaj prowadzi do iskrzenia.
- Szczelnie zamknięte obudowy należy starannie i dokładnie zamknąć. Jeśli uszczelki są zużyte, należy je wymienić.
- Przed oddaniem do użytkowania sprawdzić działanie mechanizmów zabezpieczających.

c) Naprawa

- Urządzenia przenośne należy naprawiać na dworze lub w warsztacie specjalnie wyposażonym pod kątem serwisowania urządzeń zawierających łatwopalny czynnik chłodniczy.
- W miejscu wykonywania naprawy należy zapewnić wystarczającą wentylację.
- Należy zdawać sobie sprawę z tego, że nieprawidłowe działanie urządzenia może być spowodowane ubytkiem czynnika chłodniczego oraz że instalacja może być nieszczelna.
- Kondensatory należy rozładowywać w sposób niepowodujący iskrzenia.
- Jeśli trzeba coś zlutować, należy w odpowiedniej kolejności wykonać następujące procedury :
 - Usunąć czynnik chłodniczy. Jeśli przepisy krajowe nie wymagają jego odzyskania, czynnik chłodniczy należy spuścić na zewnątrz. Uważać, aby spuszczonego czynnika chłodniczego nie spowodował zagrożenia. W razie wątpliwości jedna osoba powinna pilnować wylotu. Zwrócić szczególną uwagę na to, aby spuszczonego czynnika chłodniczego nie dostał się z powrotem do budynku.
 - Z obwodu czynnika chłodniczego odpompować powietrze, wilgoć i gazy niekondensujące.
 - Przez 5 minut płukać obwód czynnika chłodniczego azotem.
 - Ponownie odpompować.
 - W celu usunięcia części, które wymagają usunięcia, odciąć je, nie zaś używać płomienia.
 - W czasie procedury lutowanie przedmuchać miejsce lutowania azotem.
 - Przed napełnieniem układu czynnikiem chłodniczym, wykonać próbę szczelności.
- Szczelnie zamknięte obudowy należy starannie i dokładnie zamknąć. Jeśli uszczelki są zużyte, należy je wymienić.
- Przed oddaniem do użytkowania sprawdzić działanie mechanizmów zabezpieczających.

d) Zakończenie użytkowania

- Jeżeli w grę wchodzi bezpieczeństwo, czynnik chłodniczy należy usunąć przed zakończeniem użytkowania.
- W miejscu, w którym znajduje się urządzenie należy zapewnić wystarczającą wentylację.
- Należy zdawać sobie sprawę z tego, że nieprawidłowe działanie urządzenia może być spowodowane

ubytkiem czynnika chłodniczego oraz że instalacja może być nieszczelna.

- Kondensatory należy rozładowywać w sposób niepowodujący iskrzenia.
- Usunąć czynnik chłodniczy. Jeśli przepisy krajowe nie wymagają jego odzyskania, czynnik chłodniczy należy spuścić na zewnątrz. Uważać, aby spuszczonego czynnika chłodniczego nie spowodował zagrożenia. W razie wątpliwości jedna osoba powinna pilnować wylotu. Zwrócić szczególną uwagę na to, aby spuszczonego czynnika chłodniczego nie dostał się z powrotem do budynku.
- Z obwodu czynnika chłodniczego odpompować powietrze, wilgoć i gazy niekondensujące.
- Przez 5 minut płukać obwód czynnika chłodniczego azotem.
- Ponownie odpompować.
- Napełnić azotem pod ciśnieniem atmosferycznym.
- Założyć na urządzenie etykietę z informacją o tym, że czynnik chłodniczy został już usunięty.

e) Utylizacja

- Zapewnić wystarczającą wentylację w miejscu wykonywania pracy.
- Usunąć czynnik chłodniczy. Jeśli przepisy krajowe nie wymagają jego odzyskania, czynnik chłodniczy należy spuścić na zewnątrz. Uważać, aby spuszczonego czynnika chłodniczego nie spowodował zagrożenia. W razie wątpliwości jedna osoba powinna pilnować wylotu. Zwrócić szczególną uwagę na to, aby spuszczonego czynnika chłodniczego nie dostał się z powrotem do budynku.
- Z obwodu czynnika chłodniczego odpompować powietrze, wilgoć i gazy niekondensujące.
- Przez 5 minut płukać obwód czynnika chłodniczego azotem.
- Ponownie odpompować.
- Wyciąć kompresor i spuścić olej.

Transport, oznaczanie i przechowywanie urządzeń, w których używane są łatwopalne czynniki chłodnicze

Transport urządzeń zawierających łatwopalne czynniki chłodnicze

Należy zwrócić uwagę na to, że mogą istnieć dodatkowe przepisy w sprawie transportu urządzeń zawierających łatwopalny czynnik chłodniczy. Maksymalna liczba urządzeń lub konfiguracja urządzeń, które wolno przewozić razem zostanie określona przez stosowne przepisy transportowe.

Znakowanie urządzenia

Oznaczenia podobnych urządzeń używanych w miejscu pracy są na ogół określone przepisami lokalnymi, które wyznaczają minimalne wymagania w zakresie oznakowania BHP w miejscu pracy.

Wszystkie wymagane oznaczenia należy utrzymywać w dobrym stanie. Pracodawcy powinni pilnować, aby pracownicy otrzymali odpowiednie i wystarczające instrukcje i zostali przeszkoleni w zakresie znaczenia odpowiednich znaków BHP oraz działań, które należy podejmować w związku z tymi oznaczeniami.

Nie należy osłabiać skuteczności oznakowania poprzez umieszczanie razem zbyt dużej liczby znaków.

Wszelkie używane piktogramy powinny być maksymalnie proste i powinny zawierać tylko najważniejsze elementy.

Utylizacja urządzenia, w którym używane są łatwopalne czynniki chłodnicze

Patrz przepisy krajowe.

Przechowywanie sprzętu/urządzeń

Urządzenia należy przechowywać zgodnie z instrukcjami producenta.

Przechowywanie urządzenia w opakowaniu (przed sprzedażą)

Należy wykonać zabezpieczenie dzięki któremu mechaniczne uszkodzenie urządzenia w opakowaniu nie spowoduje wycieku czynnika chłodniczego.

Maksymalna liczba urządzeń, które wolno przechowywać razem zostanie określona przez przepisy lokalne.

Благодарим Вас за приобретение нашей продукции. Для обеспечения правильной работы прибора перед началом использования внимательно прочтите настоящее руководство по эксплуатации и инструкцию.

ВАЖНЫЕ ИНСТРУКЦИИ

При использовании электроприборов всегда следует соблюдать основные меры предосторожности для того, чтобы снизить риск возгорания, поражения электрическим током, ожогов и других травм.

1. Внимательно прочитайте настоящие инструкции. Внимание: картинки приведены только для справки.
2. Лицам с ограниченными умственными, сенсорными или физическими возможностями или с недостаточным опытом и/или знаниями, а также детям от 8 лет и старше разрешается использовать прибор только под контролем или если они были проинструктированы относительно безопасной эксплуатации прибора и понимают возможные риски.
3. Детям запрещается играть с прибором.
4. Чистка и уход за прибором не должны осуществляться детьми без контроля со стороны взрослых.
5. В случае, если кабель питания прибора поврежден, во избежание опасности прибор следует доставить в сервисный центр либо квалифицированному электрику для ремонта.
6. Прибор предназначен только для использования в помещении.
7. Не используйте прибор: вблизи источников огня; в местах, где существует вероятность разбрызгивания масла; в местах, где прибор может подвергнуться воздействию прямых солнечных лучей; в местах, где существует вероятность попадания на прибор брызг воды; рядом с банями, прачечными, душами или бассейнами.

8. Никогда не вставляйте пальцы или стержни в отверстие для выхода воздуха. Будьте особенно осторожны и предупредите детей об этой опасности.
9. При транспортировке и хранении держите прибор вертикально, чтобы его компрессор находился в правильном положении.
10. Перед чисткой или перемещением прибора всегда выключайте его и отключайте питание.
11. Не накрывайте прибор во избежание возгорания.
12. Все розетки, в которые подключается прибор, должны соответствовать местным требованиям электробезопасности. При необходимости проверьте их на соответствие требованиям.
13. Прибор следует устанавливать в соответствии с национальными правилами электропроводки.
14. Подробная информация о типе и номинале предохранителей: T, 250V AC, 3.15A.
15. Для ремонта или технического обслуживания прибора обратитесь к авторизованному специалисту.
16. Не тяните, не деформируйте, не модифицируйте кабель питания прибора и не погружайте его в воду. Вытягивание или неправильное использование кабеля питания может привести к повреждению устройства и поражению электрическим током.
17. Соблюдайте национальные правила по использованию газа.
18. Обслуживание прибора должно производиться только в соответствии с рекомендациями производителя. Техническое обслуживание и ремонт, требующие помощи квалифицированного персонала, должны выполняться под наблюдением лица, компетентного в использовании легковоспламеняющихся хладагентов.
19. Не включайте и не останавливайте прибор, вставляя вилку в розетку или вытаскивая вилку из розетки, поскольку это может вызвать поражение электрическим током или возгорание из-за

выделения тепла.

20. Отключите прибор от сети, от него исходит странный звук, запах или дым.
21. Всегда подключайте прибор к заземленной розетке.
22. В случае повреждения прибора выключите прибор, используя выключатель, отключите питание и обратитесь в авторизованный сервисный центр для ремонта.
23. Не используйте для ускорения процесса размораживания или очистки иные средства, кроме рекомендованных производителем.
24. Прибор следует хранить в помещении, в котором отсутствуют постоянно работающие источники возгорания (например, открытый огонь, работающий газовый прибор или работающий электрический обогреватель).
25. Не протыкайте и не сжигайте прибор.
26. Имейте в виду, что хладагенты не должны иметь запаха.
27. Данный прибор содержит хладагент R290. R290 - это газообразный хладагент, соответствующий европейским директивам по охране окружающей среды. Не протыкайте какие-либо части контура хладагента.
28. Если прибор установлен, эксплуатируется или хранится в непроветриваемом помещении, оно должно быть спроектировано таким образом, чтобы предотвратить накопление утечек хладагента, поскольку они могут привести к возникновению риска пожара или взрыва из-за возгорания хладагента, вызванного электрическими нагревателями, плитами, или другие источники возгорания.
29. Прибор следует хранить таким образом, чтобы исключить его механические повреждения.
30. Лица, которые работают с контуром хладагента, должны иметь соответствующую сертификацию,

выданную аккредитованной организацией, которая гарантирует компетентность в обращении с хладагентами в соответствии с оценкой, признанной отраслевыми ассоциациями.

31. Ремонт прибора должен выполняться по рекомендации компании-производителя. Техническое обслуживание и ремонт, требующие помощи другого квалифицированного персонала, должны выполняться под наблюдением специалиста, специализирующегося на использовании легковоспламеняющихся хладагентов.
32. Для получения инструкций по ремонту приборов, содержащих R290, пожалуйста, обратитесь к разделам ниже.
33. После перемещения прибора из одного места в другое всегда давайте прибору постоять не менее 2 часов.



Предупреждение: Риск пожара /

Легковоспламеняющиеся материалы



Прочтите все прилагаемые инструкции.



Руководство пользователя; инструкция по эксплуатации.



Индикатор обслуживания; прочтите техническое руководство.

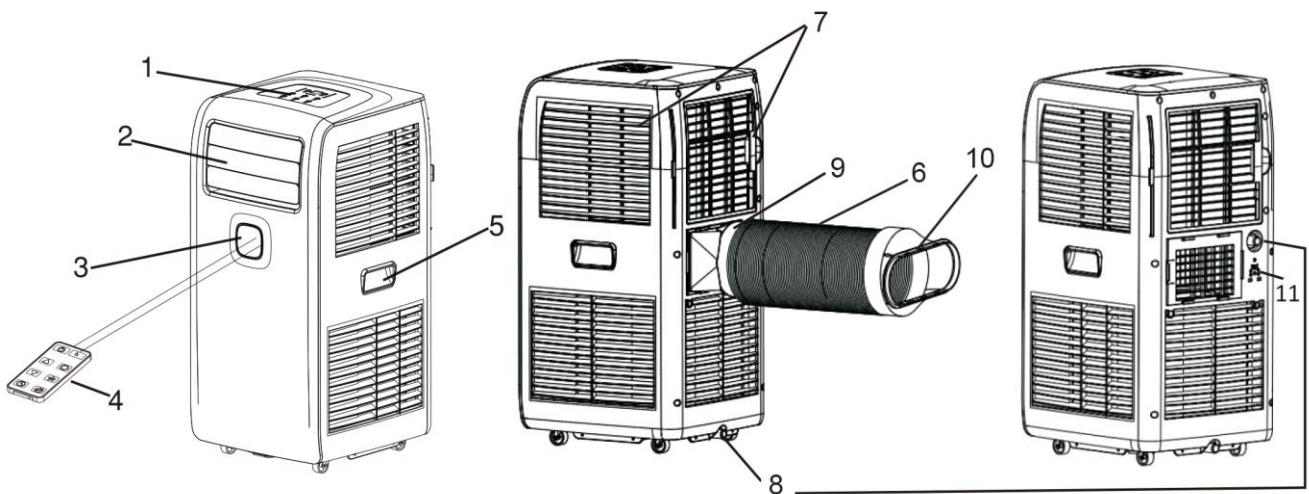
Предупреждение: Не закрывайте вентиляционные отверстия прибора.

Предупреждение: Прибор следует хранить в хорошо вентилируемом помещении, при этом размер комнаты должен соответствовать рекомендуемой площади помещения, указанной для данного прибора.

Следует соблюдать расстояние со всех сторон прибора не менее 30 см.

Прибор следует устанавливать, эксплуатировать и хранить в помещении площадью более 7.9 м².

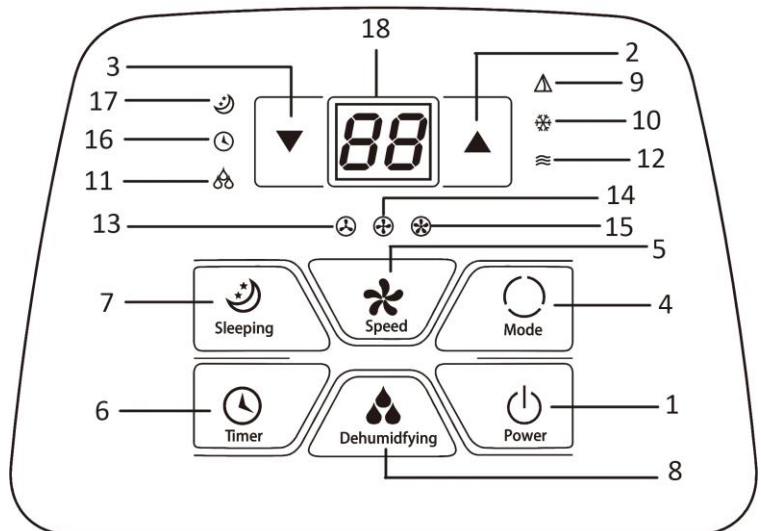
ОПИСАНИЕ ПРИБОРА



1. Панель управления
2. Отверстие для выхода воздуха & жалюзи
3. Сигнальный рецептор
4. Пульт дистанционного управления
5. Ручка
6. Шланг для выпуска воздуха.
7. Воздухозаборник и воздушный фильтр
8. Сливной порт (со вставленной пробкой).
9. Соединитель шланга
10. Оконный переходник
11. Универсальный вход (используется для хранения розетки)

Панель управления

1. Питание
2. Увеличение температуры/таймера
3. Уменьшение температуры/таймера
4. Режим
5. Скорость вентилятора
6. Таймер
7. Сон
8. Кнопка режима осушения воздуха
9. Световой индикатор автоматического режима
10. Световой индикатор охлаждения
11. Световой индикатор осушения воздуха
12. Световой индикатор режимов
13. Световой индикатор низкой скорости
14. Световой индикатор средней скорости
15. Световой индикатор таймера
16. Световой индикатор сна
17. Цифровой дисплей



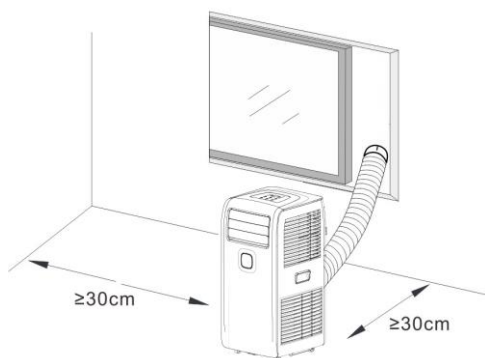
Дистанционное управление

Прибор оснащен возможностью дистанционного управления. С пультом дистанционного управления прибора поставляется одна батарейка CR2025. Перед тем, как начать пользоваться пультом дистанционного управления, снимите пластиковую защиту с аккумулятора. Если Вы хотите заменить батарейку, обратитесь к инструкции. Если пульт ДУ не используется в течение длительного времени, извлеките из него батарейку. Держите батарейки вдали от маленьких детей.

Функции кнопок на пульте дистанционного управления аналогичны функциям кнопок на панели управления.

УСТАНОВКА

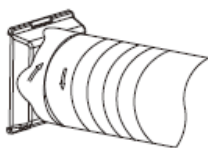
- Прибор следует устанавливать на ровной поверхности таким образом, чтобы выходное отверстие для воздуха не было заблокировано. Вокруг прибора со всех сторон следует оставить как минимум по 30 см с каждой стороны.



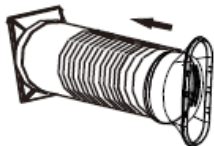
- Запрещается устанавливать прибор в постирочных.
- Расширьте шланг для выпуска воздуха, вытягивая два конца.



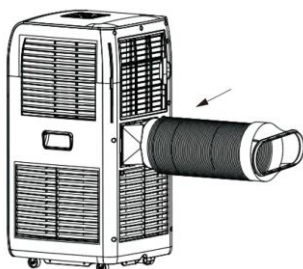
- Вкрутите шланг для выпуска воздуха в соединитель шланга.



- Вкрутите другой конец шланга для выпуска воздуха в оконный переходник.



- Вставьте соединитель шланга в кронштейн на задней стороне устройства.



УПРАВЛЕНИЕ

* После перемещения прибора из одного места в другое всегда давайте ему отстояться не менее 2 часов.

Перед использованием проверьте, правильно ли установлен шланг выхода воздуха. Подключите прибор к розетке. Перед включением прибора откройте жалюзи.

1. Кнопка Питание (Power)

Нажмите ее для того, чтобы включить прибор. На дисплее отобразится комнатная температура. Прибор начнет работать.

Нажмите повторно для того, чтобы выключить прибор.

2. Кнопки увеличения и уменьшения температуры/таймера (Temperature/timer increasing/decreasing)

Нажмите кнопки “▲”/“▼” для установки нужной Вам температуры в диапазоне от 15°C до 31°C.

Данные кнопки также можно использовать для установки времени таймера. Значение будет увеличиваться или уменьшаться на 1 (°C/час) для каждого нажатия.

3. Кнопка скорости вентилятора

Нажмите кнопку скорости вентилятора для того, чтобы переключать скорость между низкой, средней и высокой. После выбора скорости загорятся соответствующие световые индикаторы



4. Кнопка выбора режима

Нажимайте кнопку выбора режима для того, чтобы выбрать режим работы прибора между автоматическим (AUTO), Охлаждением (cooling) и Режимом вентилятора (fan). После выбора режима загорится соответствующий световой сигнал.

- Автоматический режим (Auto)

В автоматическом режиме датчик температуры работает в автоматическом режиме и самостоятельно выбирает программу охлаждения или вентилятора: если температура в помещении выше 24°C, прибор автоматически выбирает режим охлаждения, а если температура в помещении менее 24°C, прибор автоматически выбирает режим вентилятора.

- Режим охлаждения (Cooling)

Если температура в помещении выше установленной температуры, то компрессор прибора начнет работать. Если температура в помещении ниже установленной температуры, компрессор прибора остановится и вентилятор начнет работать на исходной скорости.

Примечание: Если компрессор прибора работает, прибор будет слегка вибрировать. Это нормально и безопасно.

- Режим вентилятора (Fan)

Если прибор работает на установленной скорости, компрессор прибора не включается. Регулировка температуры в режиме вентилятора является неэффективной.

5. Осушение воздуха

- Нажмите кнопку осушения воздуха (dehumidifying) для включения соответствующей функции. Вентилятор начнет работать на медленной скорости. Скорость вентилятора и температура в данном режиме не подлежат регулировке.
- Через 8 минут работы компрессор отключится и снова включится через 6 минут.
- Нажмите на кнопку выбора режима для того, чтобы переключиться в автоматический режим (AUTO), режим охлаждения (cooling) и режим вентилятора (fan)

6. Кнопка Таймер (Timer)

Установки автоматического включения (Auto-ON)

- Если прибор выключен, нажмите на кнопку таймера, после чего замигает соответствующий световой индикатор.
- Нажмите на кнопку увеличения или уменьшения значения для того, чтобы выбрать нужное время автоматического включения в диапазоне от 1 до 24 часов. Световой индикатор таймера будет мигать в течение нескольких секунд, а затем начнет гореть постоянно. Цифровой дисплей выключится. Настройка таймера подтверждена.
- Вы можете выбрать скорость работы вентилятора и режим в одно и то же время.
- Прибор автоматически будет включен, как только наступит установленное время.

Установки автоматического отключения (Auto-OFF)

- Если прибор выключен, нажмите на кнопку таймера, после чего замигает соответствующий световой индикатор.
- Нажмите на кнопку увеличения или уменьшения значения для того, чтобы выбрать нужное время автоматического отключения в диапазоне от 1 до 24 часов. Световой индикатор таймера будет мигать в течение нескольких секунд, а затем начнет гореть постоянно. На цифровом дисплее отобразится комнатная температура. Настройка таймера подтверждена.
- Прибор автоматически будет выключен, как только наступит установленное время.

Для того, чтобы отменить установки таймера, установите время на значение 0 либо нажмите на кнопку настройки таймера в тот момент, когда цифровой дисплей будет мигать, нажмите на кнопку таймера еще раз. Световой индикатор таймера отключится.

7. Кнопка Сон (Sleep) (активна только в режиме охлаждения)

Нажмите на данную кнопку для того, чтобы активировать режим сна. Загорится световой индикатор Сон.

В режиме сна вентилятор автоматически переходит на работу на маленькой скорости. Установленная температура через один час повысится на 1°C и на 2°C - через два часа. Через 6 часов прибор автоматически прекратит работу.

ПРИМЕЧАНИЕ:

- Защитный предохранитель может сработать и остановить прибор при соблюдении следующих условий:

Охлаждение	Температура в помещении выше 43°C.
	Температура в помещении ниже 15°C.
Осушение воздуха	Температура в помещении ниже 15°C.

- Если прибор работает в режиме охлаждения или осушения воздуха с открытой дверью или окном в течение длительного времени при относительной влажности выше 80%, из выпускного отверстия может начать капать конденсат.

Слив воды

- 1) Особое напоминание: настоящий прибор оснащен системой рециркуляции конденсата. Конденсат частично рециркулирует между конденсатором и поддоном для воды. Когда уровень воды поднимается до верхнего уровня, на цифровом дисплее отображается код заполнения водой «E4», напоминающий о сливе воды.
- 2) Отключите электропитание, переместите прибор в подходящее место и вытащите заглушку в сливном отверстии для того, чтобы полностью слить воду. Если позволяют условия, Вы также

можете подключить сливной шланг к отверстию для слива воды. Данный прибор имеет два дренажных порта.

- 3) После слива воды вставьте пробку обратно в сливное отверстие, в противном случае прибор может протечь и помещение может промокнуть.

ЧИСТКА И УХОД

- Перед очисткой прибора убедитесь, что он отключен от сети питания.
- Не используйте бензин или другие химические вещества для чистки прибора.
- Не мойте прибор напрямую.
- Если прибор поврежден, обратитесь к продавцу или в авторизованный сервисный центр.

Воздушный фильтр

Если воздушные фильтры прибора забиваются пылью / грязью, их следует очищать раз в две недели.

- Вытяните воздушные фильтры за язычок.
- Очистите воздушный фильтр нейтральным моющим средством в теплой воде (< 40 °C) и просушите в тени.
- Установите фильтр на место.



Очистка поверхности

Сперва очистите поверхность нейтральным моющим средством и влажной тканью, а затем протрите ее сухой тканью.

ПРОБЛЕМЫ И СПОСОБЫ ИХ РЕШЕНИЯ

Проблемы	Возможные причины	Решения
Недостаточно остужает	Двери либо окна не закрыты.	Убедитесь, что двери окна закрыты.
	В комнате есть источники тепла.	По возможности уберите из комнаты источники тепла.
	Шланг для отвода горячего воздуха не подсоединен или заблокирован.	Подсоедините или очистите выпускной шланг горячего воздуха.
	Установлена слишком высокая температура	Переустановите температуру.
	Воздухозаборник / отверстие для выхода воздуха заблокированы	Очистите воздухозаборник / отверстие для выхода воздуха.
Шумно	Прибор установлен на неровной или недостаточно ровной поверхности.	По возможности установите прибор на ровной и устойчивой поверхности.
	Звук возникает из-за протекания хладагента внутри устройства.	Это нормально.
На цифровом дисплее отображается код "E2"	Неисправность датчика температуры в помещении.	Необходимо заменить датчик температуры в помещении. Обратитесь в авторизованный сервисный центр или к квалифицированному специалисту для ремонта.

На цифровом дисплее отображается код "E3"	Неисправен датчик температуры испарителя.	Необходимо заменить датчик температуры испарителя. Обратитесь в авторизованный сервисный центр или к квалифицированному специалисту для ремонта.
На цифровом дисплее отображается код "E4"	Предупреждение о заполнении водой	Слейте воду.

ТЕХНИЧЕСКИЕ ХАРАКТЕРИСТИКИ

Приведенные ниже данные являются справочными

Модель	PAC-125152
Номинальное напряжение	220-240V
Номинальная частота	50Hz
Номинальная мощность	950W
Номинальная сила тока	4.3A
Охлаждающая способность	9000BTU
Удаление влаги (л/ч)	1.0
Поток воздуха	300m ³ /h

ERP ИНФОРМАЦИЯ

	Значение
Торговая марка	Emerio
Идентификатор модели	PAC-125152
Звуковая мощность (охлаждение)	64.3dB(A)
Наименование хладагента	R290
Номинальная потребляемая мощность для охлаждения (кВт)	0.95
Номинальный коэффициент энергоэффективности	2.6
Потенциал глобального потепления (кгCO ₂ экв.)	3
Класс энергоэффективности	A
Энергопотребление для двухканальных приборов (кВтч / ч)	-
Энергопотребление для одноканальных приборов (кВтч / ч)	0.96
Потребляемая мощность в режиме выключенного термостата (Вт)	-
Потребляемая мощность в режиме ожидания (Вт)	0.43
Охлаждающая способность	9000BTU

Утечка хладагента способствует изменению климата. При попадании в атмосферу хладагент с более низким потенциалом глобального потепления (ПГП) внесет меньший вклад в глобальное потепление, чем хладагент с более высоким ПГП. В данном приборе используется хладагент с ПГП, равным 3. Это означает, что если 1 кг этого хладагента будет вытекать в атмосферу, влияние на глобальное потепление будет в 3 раза выше, чем 1 кг CO₂ за период 100 лет. Никогда не пытайтесь самостоятельно вмешиваться в контур хладагента или самостоятельно разбирать изделие - всегда обращайтесь к профессионалам.

#Энергопотребление 0.96 кВтч для модели PAC-125152 за 60 минут использования в стандартных условиях тестирования. Фактическое потребление энергии зависит от того, как устройство используется и где оно находится.

Для получения дополнительной информации, пожалуйста, обращайтесь:

Emerio Holland B.V.

Zomervaart 1A

2033 DA Haarlem

The Netherlands

Служба поддержки клиентов

T: +31(0)23 3034369

E: info.nl@emerio.eu

ГАРАНТИЯ И ТЕХНИЧЕСКОЕ ОБСЛУЖИВАНИЕ:

Перед поступлением в продажу наши устройства проходят строгий контроль качества. Если, несмотря на все меры предосторожности, вы все же приобрели поврежденный прибор, пожалуйста, верните устройство продавцу. В соответствии с условиями гарантии на приобретенный прибор предоставляется гарантийное обслуживание на 2 год, начиная со дня продажи. Если вы приобрели прибор с дефектом, вы можете незамедлительно вернуть его по месту покупки.

На дефекты, возникшие вследствие неправильного использования прибора, а также на неисправности, произошедшие вследствие ремонта прибора несертифицированными центрами или третьими лицами, а также вследствие установки неоригинальных деталей, данная гарантия не распространяется.

Всегда сохраняйте чек и гарантийный талон. Без них вы не сможете претендовать на какую-либо форму гарантии.

Ущерб, вызванный несоблюдением данной инструкции, приводит к тому, что гарантия на прибор аннулируется. Производитель не несет ответственности за понесенные вследствие этого расходы. Производитель также не несет ответственности за материальный ущерб или травмы, полученные вследствие неправильного использования прибора, вызванного отсутствием внимания к данной инструкции. Поломка или повреждение аксессуаров не означает бесплатную замену всего прибора. В таком случае, пожалуйста, свяжитесь с сервисным центром. Замена разбитых стекол или поврежденных пластиковых деталей всегда производится на платной основе. Поломка расходных материалов или деталей, подверженных износу, а также очистка, техническое обслуживание или замена указанных частей не покрываются гарантией и оплачиваются отдельно.

БЕЗОПАСНАЯ УТИЛИЗАЦИЯ В ОКРУЖАЮЩЕЙ СРЕДЕ:



Переработка отходов - европейская директива 2012/19/EU

Эта маркировка обозначает, что прибор не подлежит утилизации с другими бытовыми отходами. Чтобы предотвратить возможный вред окружающей среде и здоровью людей, утилизируйте бытовые приборы ответственно, что также будет способствовать устойчивому

повторному использованию материальных ресурсов. Для утилизации прибора, пожалуйста, используйте системы возврата прибора электроприборов либо свяжитесь с продавцом. Он утилизирует прибор правильно.



БАТАРЕЙКИ СЛЕДУЕТ УТИЛИЗИРОВАТЬ ОСОБЫМ ОБРАЗОМ. НЕ ОТКРЫВАЙТЕ БАТАРЕЙКИ. ЗАПРЕЩАЕТСЯ УТИЛИЗАЦИЯ ВО ИЗБЕЖАНИЕ ПОЖАРА ИЛИ КОРОТКОГО ЗАМЫКАНИЯ.

Emerio Holland B.V.

Zomervaart 1A

2033 DA Haarlem

The Netherlands

Служба поддержки клиентов

T: +31(0)23 3034369

E: info.nl@emerio.eu

ИНСТРУКЦИИ ПО РЕМОНТУ ПРИБОРОВ, СОДЕРЖАЩИХ ХЛАДАГЕНТ

R290

1. Обслуживание

1) Проверка

Перед началом работы с системами, содержащими воспламеняющиеся хладагенты, необходимо проверить безопасность, чтобы минимизировать риск воспламенения. При ремонте холодильной системы необходимо соблюдать следующие меры предосторожности до начала работ с системой.

2) Порядок работы

Работы должны выполняться в соответствии с контролируемой процедурой для того, чтобы минимизировать риск присутствия горючего газа или пара во время выполнения работы.

3) Общая рабочая зона

Обслуживающий персонал и иные лица, работающие на данной территории, должны быть проинструктированы о характере выполняемых работ. Следует избегать работы в замкнутом пространстве. Область вокруг рабочего места должна быть отделена. Убедитесь в безопасности работы, контролируя легко воспламеняющиеся материалы.

4) Проверка на наличие хладагента

Место выполнения работ должно быть проверено детектором хладагента до и во время работы для того, чтобы технический специалист знал о потенциальном воспламенении. Убедитесь, что используемое оборудование для обнаружения утечек подходит для использования с легко воспламеняющимися хладагентами, без образования искр, надлежащим образом герметизировано и безопасно.

5) Наличие огнетушителя

Если на холодильном оборудовании или любых связанных с ним частях будут проводиться работы, связанные с нагревом или применением пламени, в наличии должно быть соответствующее оборудование для пожаротушения. Рядом всегда должен быть сухой порошковый или углекислотный огнетушитель.

6) Отсутствие источников возгорания

Ни одно лицо, выполняющее работы с холодильной системой, которые связаны с открытием любых трубопроводов, содержащих горючий хладагент, не должно использовать какие-либо источники воспламенения таким образом, чтобы это могло привести к риску возгорания или взрыва. Все возможные источники воспламенения, включая курение сигарет, следует держать на расстоянии от места установки, ремонта и утилизации, во время которого воспламеняющийся хладагент может попасть в окружающее пространство. Перед началом работы следует обследовать территорию вокруг прибора для того, чтобы убедиться в отсутствии воспламеняющихся веществ или опасности возгорания. Должны быть размещены знаки «Не курить».

7) Вентилируемое помещение

Перед вскрытием системы или проведением любых работ, связанных с нагревом или применением пламени, убедитесь, что работы будут проводиться на открытом воздухе или что помещение, в котором будут проводиться работы, хорошо вентилируется. Помещение должно хорошо проветриваться на протяжении всего времени проведения работ. Вентиляция должна безопасно рассеивать любой выпущенный хладагент и, желательно, выводить его в атмосферу.

8) Проверки холодильного оборудования

При замене электронных компонентов они должны соответствовать назначению. Всегда следует соблюдать инструкции производителя по техническому обслуживанию и ремонту. В случае возникновения сомнений обратитесь за помощью в технический отдел компании-производителя.

Приборы, использующие горючие хладагенты, нуждаются в следующих проверках:

- Объем заправки соответствует размеру помещения, в котором установлен прибор содержащий хладагент;
- Вентиляционное оборудование и выпускные отверстия прибора работают нормально и не забиты;
- При использовании косвенного контура охлаждения, вторичный контур должен быть проверен на наличие хладагента;
- Маркировка оборудования остается видимой и разборчивой. Нечеткие отметки и знаки должны быть исправлены;
- Трубы или компоненты, содержащие хладагент, должны быть установлены в месте, где они не будут подвергаться воздействию каких-либо веществ, которые могут вызвать коррозию компонентов, содержащих хладагент, если только компоненты не изготовлены из материалов, которые по своей природе устойчивы к коррозии или имеют надлежащую защиту от коррозии.

9) Проверки электроприборов

Ремонт и обслуживание электронных компонентов должны включать начальные проверки безопасности и процедуры проверки компонентов. Если имеется неисправность, которая может поставить под угрозу безопасность, то к цепи не следует подключать электропитание до тех пор, пока эта неисправность не будет устранена надлежащим образом. В случае, если неисправность нельзя устранить немедленно, но необходимо продолжить работу, следует использовать соответствующее временное решение. Об этом следует сообщить владельцу оборудования. Первоначальные проверки безопасности должны включать:

- следует проверить, что конденсаторы разряжены: это должно быть сделано безопасным способом, чтобы исключить возможность искрения;
- следует проверить отсутствие открытых электрических компонентов и проводки во время зарядки, восстановления или продувки системы;
- следует проверить наличие непрерывного заземления.

2. Ремонт герметичных компонентов

1) Во время ремонта герметичных компонентов все источники электропитания должны быть отключены от оборудования, с которым проводятся работы, до снятия герметичных крышек и т. д. При необходимости иметь электропитание во время работы, постоянная форма утечки должна быть расположена в наиболее критической точке, чтобы предупредить о потенциально опасной ситуации.

2) Особое внимание следует уделить тому, чтобы корпус прибора не был изменен таким образом, чтобы это могло повлиять на уровень защиты. Это включает в себя повреждение кабелей, соединений, клемм, изготовленных не по оригинальной спецификации, повреждение прокладок, неправильную установку сальников и т.д.

Убедитесь, что прибор надежно закреплен. Убедитесь, что прокладки или уплотнительные материалы не были повреждены таким образом, что они более не служат для предотвращения воспламенения. Запасные части должны соответствовать спецификациям производителя.

ПРИМЕЧАНИЕ: Использование силиконового герметика может снизить эффективность некоторых типов оборудования для обнаружения утечек. Искробезопасные компоненты не следует изолировать перед работой с ними.

3. Ремонт искробезопасных компонентов

Не подключайте к цепи какие-либо постоянные индуктивные или емкостные нагрузки, не убедившись, что они не превышают допустимые напряжение и ток, разрешенные для используемого оборудования. Искробезопасные компоненты - единственные типы, с которыми можно работать, находясь в условиях воспламеняющейся атмосферы. Испытательная установка должна иметь правильные характеристики. Заменяйте компоненты только на детали, указанные производителем. Другие части могут вызвать воспламенение хладагента в атмосфере из-за утечки.

4. Прокладка кабеля

Убедитесь, что кабели не подвержены износу, коррозии, чрезмерному давлению, вибрации и другим неблагоприятным воздействиям окружающей среды, а также не проходят через острые края. При проверке необходимо также учитывать эффект старения или постоянную вибрацию от таких источников, как компрессоры или вентиляторы.

5. Обнаружение горючих хладагентов

Ни при каких обстоятельствах нельзя использовать потенциальные источники возгорания для поиска или обнаружения утечек хладагента. Запрещается использовать галогенидную горелку (или любой другой детектор, использующий открытый огонь).

6. Способы обнаружения утечек

Указанные ниже способы обнаружения утечек считаются приемлемыми для систем, содержащих легко воспламеняющиеся хладагенты.

Электронные детекторы утечки должны использоваться для обнаружения воспламеняющихся хладагентов, но их чувствительность может быть недостаточной либо может потребоваться повторная калибровка (оборудование для обнаружения должно быть откалибровано в зоне, свободной от хладагента). Убедитесь, что датчик не является потенциальным источником воспламенения и подходит для используемого хладагента. Оборудование для обнаружения утечек должно быть настроено на процент от LFL хладагента и должно быть откалибровано для используемого хладагента, а соответствующий процент газа (максимум 25%) должен быть подтвержден. Жидкости для обнаружения утечек подходят для использования с большинством хладагентов, но следует избегать использования моющих средств, содержащих хлор, поскольку хлор может вступить в реакцию с хладагентом и вызвать коррозию медных трубопроводов. Если появляется подозрение на утечку, все источники открытого огня должны быть удалены/погашены. Если обнаружена утечка хладагента, требующая пайки, весь хладагент должен быть извлечен из системы или изолирован (с помощью запорных клапанов) в части системы, удаленной от утечки. Затем систему необходимо продуть бескислородным азотом (OFN) как до, так и во время процесса пайки.

7. Удаление и эвакуация

При вскрытии контура хладагента для ремонта или для любой другой цели следует соблюдать стандартные процедуры. Тем не менее, важно следовать наилучшей методике, поскольку следует учитывать воспламеняемость. Необходимо соблюдать следующий порядок действий:

- Удалите хладагент;
- Подуйте контур инертным газом;
- Произведите эвакуацию;
- Повторно продуйте контур инертным газом;

- Разомкните цепь путем резки или пайки.

Заправку хладагента следует собирать в соответствующие баллоны для сбора хладагента. Система должна быть «промыта» OFN (бескислородным азотом) для обеспечения безопасности установки. Данный процесс может потребоваться повторить несколько раз. Для выполнения этой задачи нельзя использовать сжатый воздух или кислород. Промывка производится путем снятия вакуума в системе с помощью OFN и продолжения заполнения до достижения рабочего давления, затем сброса в атмосферу и, наконец, сброса до вакуума. Этот процесс следует повторять до тех пор, пока в системе не останется хладагент. При последней заправке OFN необходимо сбросить давление в системе до атмосферного для того, чтобы можно было провести работу. Данная операция необходима для пайки труб. Убедитесь, что выпускное отверстие вакуумного насоса не находится близко к источникам возгорания, а также имеется достаточная вентиляция.

8. Процедура зарядки

В дополнение к стандартным процедурам зарядки должны соблюдаться следующие требования.

- Убедитесь, что при использовании зарядного оборудования не происходит загрязнения различными хладагентами. Шланги должны быть как можно короче для того, чтобы минимизировать количество содержащегося в них хладагента.
- Баллоны следует держать в вертикальном положении.
- Перед заправкой системы хладагентом убедитесь, что холодильная система заземлена.
- Пометьте систему, когда зарядка завершена (если еще не была).
- Следует проявлять особую осторожность для того, чтобы не переполнить систему охлаждения.

Перед перезарядкой система должна быть испытана давлением с помощью OFN (бескислородного азота). Система должна быть испытана на герметичность по завершении зарядки, но до ввода в эксплуатацию. Перед тем, как завершить работы, необходимо провести испытание на герметичность.

9. Вывод из эксплуатации

Перед выполнением данной процедуры важно, чтобы техник был знаком с оборудованием и всеми его деталями. Рекомендуется безопасная утилизация хладагентов. Перед выполнением данной задачи необходимо взять пробу масла и хладагента в том случае, если анализ требуется до повторного использования регенерированного хладагента. Важно наличие электроэнергии до начала работы.

- а) Ознакомьтесь с оборудованием и его работой.
- б) Изолируйте систему электрически.
- в) Перед попыткой процедуры убедитесь, что:
 - Доступно механическое погрузочно-разгрузочное оборудование, если оно требуется для работы с баллонами с хладагентом;
 - Все средства индивидуальной защиты имеются и используются правильно;
 - Процесс восстановления постоянно контролируется компетентным лицом;
 - Спасательное оборудование и баллоны соответствуют действующим стандартам.
- д) По возможности откачайте систему хладагента.
- е) Если создание вакуума невозможно, сделайте так, чтобы хладагент можно было удалить из различных частей системы.
- ф) Перед восстановлением убедитесь, что баллон находится на весах.
- г) Запустите эвакуационную машину и работайте в соответствии с инструкциями производителя.
- h) Не переполняйте баллоны (не более 80% объема жидкого заряда).
- и) Не превышайте максимальное рабочее давление в баллоне, даже временно.

ж) После того, как баллоны были правильно заполнены и процесс завершен, убедитесь, что баллоны и оборудование немедленно убраны и все запорные клапаны на оборудовании закрыты.

к) Восстановленный хладагент нельзя заправлять в другую систему охлаждения, если она не была очищена и проверена.

10. Маркировка

Оборудование должно иметь этикетку, указывающую, что оно было выведено из эксплуатации и в нем не осталось хладагента. Этикетка должна быть датирована и подписана. Убедитесь, что на оборудовании есть ярлыки, указывающие, что оно содержит воспламеняющийся хладагент.

11. Восстановление

При удалении хладагента из системы или при выводе из эксплуатации рекомендуется, чтобы хладагент был удален безопасно. При перекачивании хладагента в баллоны убедитесь, что используются только специальные баллоны для утилизации хладагента. Убедитесь в том, что доступно нужное количество баллонов для полного объема системы. Все баллоны, которые будут использоваться, должны быть предназначены для рекуперированного хладагента и маркированы для него (т.е. должны использоваться специальные баллоны для сбора хладагента). Баллоны должны быть укомплектованы предохранительным клапаном и соответствующими запорными клапанами в хорошем рабочем состоянии. Пустые баллоны для утилизации вакуумируют и, если возможно, охлаждают до того, как произойдет восстановление. Оборудование для рекуперации должно быть в хорошем рабочем состоянии с набором инструкций по имеющемуся оборудованию и подходить для рекуперации горючих хладагентов. Кроме того, должен быть в наличии и в исправном состоянии комплект калиброванных весов. Шланги должны быть укомплектованы герметичными разъединителями и быть в хорошем состоянии. Перед использованием рекуперационной машины убедитесь, что она находится в удовлетворительном рабочем состоянии, обслуживается надлежащим образом и что все связанные с ней электронные компоненты герметизированы для предотвращения возгорания в случае выброса хладагента. В случае появления сомнений проконсультируйтесь с производителем. Восстановленный хладагент должен быть возвращен поставщику хладагента в соответствующем баллоне и на него должна быть оформлена соответствующая накладная на передачу отходов. Не смешивайте хладагенты в установках рекуперации, особенно в баллонах. Если компрессорные масла необходимо удалить, убедитесь, что они были откачаны до приемлемого уровня, чтобы горючий хладагент не остался в смазке. Перед возвратом компрессора поставщику необходимо произвести откачку. Для ускорения этого процесса следует использовать только электрический нагрев корпуса компрессора. Слив масла из системы должен выполняться безопасно.

Компетентность обслуживающего персонала

Общие положения

Для проведения работ в случае повреждения оборудования с легковоспламеняющимися хладагентами в дополнение к обычным процедурам ремонта холодильного оборудования требуется специальная подготовка.

Во многих странах это обучение проводится национальными учебными организациями, аккредитованными для обучения соответствующим национальным стандартам, установленным законодательством.

Достигнутая компетенция должна быть подтверждена сертификатом.

Обучение

Обучение должно включать в себя следующее:

Информация о взрывоопасности горючих хладагентах, показывающая, что легковоспламеняющиеся вещества могут быть опасными при неосторожном обращении.

Информация о потенциальных источниках возгорания, особенно о неочевидных, таких как зажигалки, выключатели, пылесосы, электрические обогреватели.

Информация о различных концепциях безопасности:

Без вентиляции - Безопасность прибора не зависит от вентиляции корпуса. Выключение прибора или открытие корпуса не оказывает существенного влияния на безопасность. Тем не менее, возможно, что вытекший хладагент может скопиться внутри корпуса, и воспламеняющаяся атмосфера будет выпущена при открытии корпуса.

Вентилируемый корпус - безопасность прибора зависит от вентиляции корпуса. Выключение прибора или открытие корпуса существенно влияет на безопасность. Перед этим следует позаботиться о достаточной вентиляции.

Вентилируемое помещение - безопасность прибора зависит от вентиляции помещения. Выключение прибора или открытие корпуса не оказывает существенного влияния на безопасность. Запрещается отключать вентиляцию помещения во время ремонта.

Информация о концепции герметичных компонентов и герметичных корпусов в соответствии с IEC 60079-15: 2010.

Информация о правильных рабочих процедурах:

а) Ввод в эксплуатацию

- Убедитесь, что площадь пола достаточна для заправки хладагента или что вентиляционный шланг установлен правильно.
- Подсоедините трубы и проведите испытание на герметичность перед заправкой хладагента.
- Перед вводом в эксплуатацию проверьте защитное оборудование.

б) Техническое обслуживание

- Ремонт переносного оборудования должен производиться вне помещения или в мастерской, специально оборудованной для обслуживания агрегатов с горючими хладагентами.
- Обеспечьте достаточную вентиляцию на месте ремонта.
- Помните, что неисправность оборудования может быть вызвана потерей хладагента, а также возможна утечка хладагента.
- Разрядите конденсаторы так, чтобы не было искры. Стандартная процедура короткого замыкания клемм конденсатора обычно создает искры.
- Точно соберите герметичные корпуса. Если уплотнители изношены, замените их.
- Перед вводом в эксплуатацию проверьте защитное оборудование.

в) Ремонт

- Ремонт переносного оборудования должен производиться вне помещения или в мастерской, специально оборудованной для обслуживания агрегатов с горючими хладагентами.
- Обеспечьте достаточную вентиляцию на месте ремонта.
- Помните, что неисправность оборудования может быть вызвана потерей хладагента и возможна утечка хладагента.
- Разрядите конденсаторы так, чтобы не было искры.
- Если требуется пайка, следующие процедуры должны выполняться в правильном порядке:
 - Удалите хладагент. Если восстановление не требуется национальными правилами, слейте хладагент наружу. Следите за тем, чтобы слитый хладагент не представлял опасности. При наличии сомнений,

один человек должен охранять розетку. Будьте особенно осторожны, чтобы слитый хладагент не попал обратно.

- Слейте воздух из контура хладагента.
- Продуйте контур хладагента азотом в течение 5 минут.
- Произведите эвакуацию.
- Удаляйте заменяемые детали резанием, а не пламенем.
- Во время пайки продувайте точку пайки азотом.
- Перед заправкой хладагентом выполните проверку на герметичность.
- Тщательно соберите герметичные корпуса. Если прокладки изношены, замените их.
- Перед вводом в эксплуатацию проверьте защитное оборудование.

d) Вывод из эксплуатации

- Если при выводе оборудования из эксплуатации снижается безопасность, необходимо удалить заправку хладагента перед выводом из эксплуатации.
- Обеспечьте достаточную вентиляцию в месте расположения оборудования.
- Помните, что неисправность оборудования может быть вызвана потерей хладагента и возможна утечка хладагента.
- Разрядите конденсаторы так, чтобы не было искры.
- Удалите хладагент. Если восстановление не требуется национальными правилами, слейте хладагент наружу. Следите за тем, чтобы слитый хладагент не представлял опасности. При наличии сомнений, один человек должен охранять розетку. Будьте особенно осторожны, чтобы слитый хладагент не попал обратно.
- Слейте воздух из контура хладагента.
- Продуйте контур хладагента азотом в течение 5 минут.
- Снова произведите эвакуацию.
- Залейте азот до достижения атмосферного давления.
- Наклейте на оборудование этикетку о том, что хладагент удален.

e) Утилизация

- Обеспечьте достаточную вентиляцию на рабочем месте.
- Удалите хладагент. Если восстановление не требуется национальными правилами, слейте хладагент наружу. Следите за тем, чтобы слитый хладагент не представлял опасности. При наличии сомнений, один человек должен охранять розетку. Будьте особенно осторожны, чтобы слитый хладагент не попал обратно.
- Слейте воздух из контура хладагента.
- Продуйте контур хладагента азотом в течение 5 минут.
- Снова произведите эвакуацию.
- Выключите компрессор и слейте масло.

Транспортировка, маркировка и хранение устройств, в которых используются горючие хладагенты Транспортировка оборудования, содержащего воспламеняющиеся хладагенты

Обратите внимание на тот факт, что могут существовать дополнительные правила транспортировки в отношении оборудования, содержащего горючий газ. Максимальное количество единиц оборудования или конфигурация оборудования, разрешенная к совместной перевозке, будет определяться применимыми правилами перевозки.

Маркировка оборудования

Маркировка для приборов, используемых в рабочей зоне, обычно регулируется местными нормативными актами и содержит минимальные требования для обеспечения знаков безопасности и/или здоровья на рабочем месте.

Все требуемые маркировки должны поддерживаться в рабочем состоянии, а работодатели должны обеспечить получение сотрудниками соответствующих и достаточных инструкций и обучения значению соответствующих маркировок безопасности и действиям, которые необходимо предпринять в связи с этими маркировками.

Эффективность маркировок не должна снижаться из-за слишком большого количества знаков, размещенных вместе.

Любые используемые пиктограммы должны быть максимально простыми и содержать только важные детали.

Утилизация оборудования с использованием легковоспламеняющихся хладагентов

См. национальные правила

Хранение оборудования/техники

Хранение оборудования должно осуществляться в соответствии с инструкциями производителя.

Хранение упакованного (непроданного) оборудования

Защита упаковки для хранения должна быть сконструирована таким образом, чтобы механическое повреждение оборудования внутри упаковки не приводило к утечке заправленного хладагента.

Максимальное количество единиц оборудования, которое разрешается хранить вместе, будет определяться местными правилами.