

emerio[®]

PAC-127277



Portable air conditioner (EN)

Mobiles Klimagerät (DE)

Climatiseur portable (FR)

Portabel luftkonditionering (SE)

Mobiele airconditioner (NL)

Klimatyzator przenośny (PL)



Content – Inhalt – Teneur - Innehåll – Inhoud –Treść

Instruction manual – English	- 2 -
Bedienungsanleitung – German	- 20 -
Mode d'emploi – French	- 38 -
Bruksanvisning – Swedish	- 57 -
Gebruiksaanwijzing – Dutch	- 74 -
Instrukcja obsługi – Polish	- 93 -

Thank you very much for purchasing our products. In order to ensure correct operation, please read this manual and instruction carefully before use.

IMPORTANT INSTRUCTIONS

When using electrical appliances, basic precautions should always be followed to reduce the risk of fire, electric shock, burns and other injuries.

1. Read and save these instructions. Attention: pictures in the IM are for reference only.
2. This appliance can be used by children aged from 8 years and above and persons with reduced physical, sensory or mental capabilities or lack of experience and knowledge if they have been given supervision or instruction concerning use of the appliance in a safe way and understand the hazards involved.
3. Children shall not play with the appliance.
4. Cleaning and user maintenance shall not be made by children without supervision.
5. If the supply cord is damaged, it must be replaced by the manufacturer, its service agent or similarly qualified persons in order to avoid a hazard.
6. Indoor use only.
7. Do not use the unit in an area: near to source of fire; where oil is likely to splash; exposed to direct sunlight; where water is likely to splash; near a bath, a laundry, a shower or a swimming pool.
8. Never insert your fingers, rods into the air outlet. Take special care to warn children of these dangers.
9. Keep the unit upward while transport and storage, for the compressor locates properly.
10. Before cleaning or moving the appliance, always turn off and disconnect the power supply.
11. To avoid the possibility of fire disaster, the appliance shall not be covered.

12. All the air-conditioner sockets must comply with the local electric safety requirements. If necessary, please check it for the requirements.
13. The appliance shall be installed in accordance with national wiring regulations.
14. Details of type and rating of fuses: T, 250V AC, 3.15A.
15. Contact authorized service technician for repair or maintenance of this unit.
16. Do not pull, deform or modify the power supply cord, or immerse it in water. Pulling or misuse of the power supply cord can result in damage to the unit and cause electrical shock.
17. Compliance with national gas regulations shall be observed.
18. Servicing shall only be performed as recommended by the equipment manufacturer. Maintenance and repair requiring the assistance of other skilled personnel shall be carried out under the supervision of the person competent in the use of flammable refrigerants.
19. Do not operate or stop the unit by inserting or pulling out power plug, it may cause electric shock or fire due to heat generation.
20. Unplug the unit if strange sounds, smell, or smoke comes from it.
21. Always plug the appliance into an earthed plug socket.
22. In case of any damage, please turn off the switch, disconnect the power supply, and contact an authorized service center for repair.
23. Do not use means to accelerate the defrosting process or to clean, other than those recommended by the manufacturer.
24. The appliance shall be stored in a room without continuously operating ignition sources (for example: open flames, an operating gas appliance or an operating electric heater.)
25. Do not pierce or burn.

26. Be aware that refrigerants may not contain an odour.
27. This appliance contains R290 refrigerant gas. R290 is a refrigerant gas that complies with the European directives on the environment. Do not puncture any part of the refrigerant circuit.
28. If the appliance is installed, operated or stored in an unventilated area, the room must be designed to prevent to the accumulation of refrigerant leaks resulting in a risk of fire or explosion due to ignition of the refrigerant caused by electric heaters, stoves, or other sources of ignition.
29. The appliance must be stored in such a way as to prevent mechanical failure.
30. Individuals who operate or work on the refrigerant circuit must have the appropriate certification issued by an accredited organization that ensures competence in handling refrigerants according to a specific evaluation recognized by associations in the industry.
31. Repairs must be performed based on the recommendation from the manufacturing company. Maintenance and repairs that require the assistance of other qualified personnel must be performed under the supervision of an individual specified in the use of flammable refrigerants.
32. Regarding the instructions for repairing appliances containing R290, please kindly refer to below paragraphs.
33. Always let the appliance rest for at least 2 hours after moving it from one location to another.



Warning: Risk of fire / Flammable materials.



Read instruction manuals.



Operator's manual; operating instructions.



Service indicator; read technical manual.

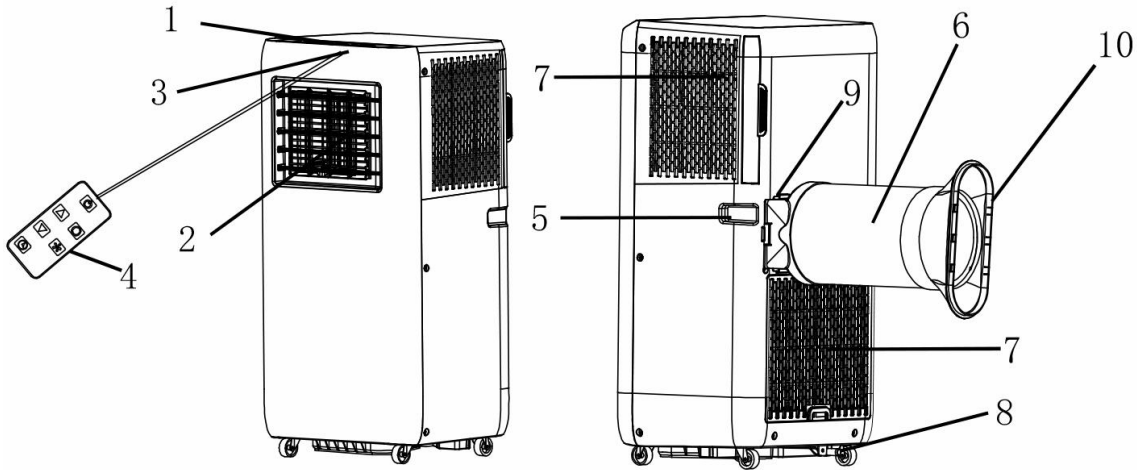
Warning: Keep ventilation openings clear of obstruction.

Warning: The appliance shall be stored in a well-ventilated area where the room size corresponds to the room area as specified for operation.

The required distance around the unit should be at least 30cm.

Appliance shall be installed, operated and stored in a room with a floor area larger than 4 m².

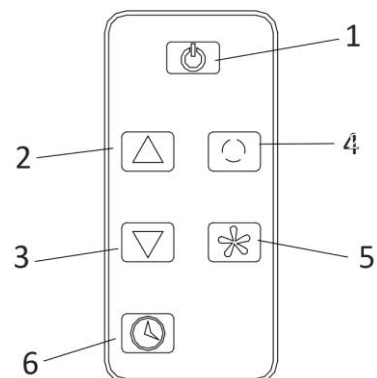
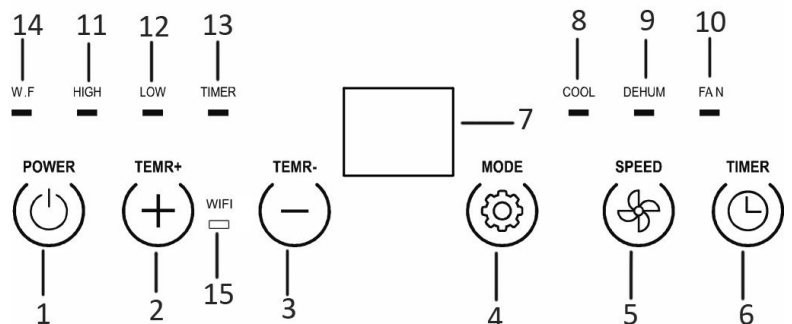
PARTS DESCRIPTION



1. Control panel
2. Air outlet & louvers
3. Signal receptor
4. Remote control
5. Handle
6. Air exhaust hose
7. Air inlet and air filter
8. Drain port (inserted by a stopper)
9. Hose connector
10. Window adaptor

Control panel & remote control

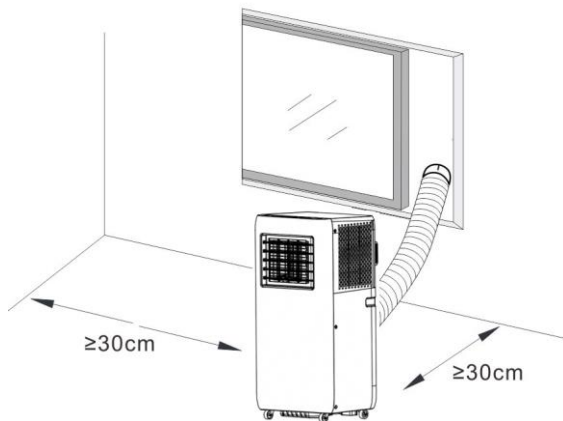
1. Power button
2. Temperature/timer increasing button
3. Temperature/timer decreasing button
4. Mode button
5. Fan speed button
6. Timer button
7. Digital display
8. Cool mode indicator light
9. Dehumidifying mode indicator light
10. Fan mode indicator light
11. High speed indicator light
12. Low speed indicator light
13. Timer indicator light
14. Water tank full indicator light
15. WIFI indicator light



This unit has a remote control. One piece of CR2025 battery will be provided with the remote control. Before starting to use the remote control, remove the plastic protection from the battery. If you want to change the battery, please refer to the instruction behind the remote control. If it is not in use for a long time, please take the battery out of the remote control. Keep button cell batteries out of reach of small children.

INSTALLATION

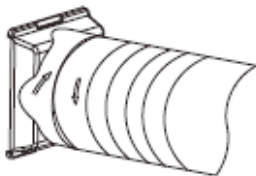
- The unit shall be installed on a flat surface where the air outlet would not be blocked. The required distance around the unit should be at least 30cm.



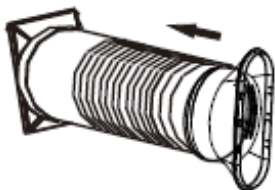
- The unit shall not be installed in a laundry room.
- Extend the air exhaust hose by drawing out the two ends of the hose.



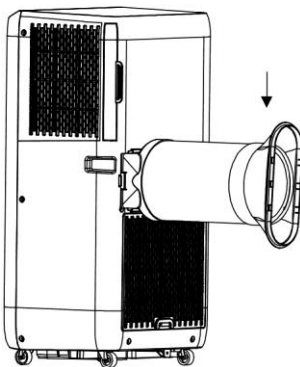
- Screw the air exhaust hose into the hose connector.



- Screw the other end of air exhaust hose into the window adaptor.



- Insert the hose connector into the bracket on the back of the unit.



OPERATION

*Always let the appliance rest for at least 2 hours after moving it from one location to another. Before use, check up whether the exhaust hose has been mounted properly. Plug in the appliance. The louvers can be manually adjusted.

1. Power button

Press the power button to turn on the appliance. The appliance will start to work.

Press the button again, the appliance will be turned off.

2. Temperature/timer increasing button & temperature/timer decreasing button

Press the button “+”/ “-” on the control panel or “▲”/“▼” on the remote control to set your desired room temperature from 15°C to 31°C. The buttons can also be used for timer adjustment during timer setting. The value will be increased/decreased by 1 (°C/hour) for each press.

3. Fan speed button

Press the fan speed button to switch the fan speed between low and high. The corresponding indicator light “LOW”/ “HIGH” will illuminate.

4. Mode button

Press the mode button to choose your desired working mode among COOL, DEHUM, and FAN. The corresponding indicator light will turn on when the specific mode is selected.

- Cooling mode

When the room temperature is higher than the set temperature, the compressor starts to run.

When the room temperature is lower than the set temperature, the compressor stops and the fan operates at the original set speed.

Note: When the compressor is working, the unit will vibrate slightly. This is normal and harmless.

- Dehumidifying mode

On dehumidifying mode, the fan runs at a low speed. The fan speed and temperature cannot be adjusted.

The compressor will stop after 8 minutes of running and then run again after 6 minutes; it will repeat in this way.

- Fan mode

When the fan runs at the set speed, the compressor does not run.

The adjustment of temperature in Fan mode is not effective.

5. Timer button

Auto-ON setting

- When the appliance is OFF, press the timer button, the timer indicator light will flash.
- Press the timer increasing or decreasing button to select a desired auto-ON time from 1 to 24 hours. The timer indicator light will flash for several seconds, then illuminate still; The digital display will be off. The timer setting is confirmed.
- You can choose the fan speed or mode at the same time.
- The appliance will automatically turn on once the select time passed.

Auto-OFF setting

- When the appliance is ON, press the timer button, the timer indicator light will flash.
- Press the timer increasing or decreasing button to select a desired auto-OFF time from 1 to 24 hours. The timer indicator light will flash for several seconds, then illuminate still. The timer setting is confirmed.
- The appliance will automatically turn off once the select time has passed.

To cancel the timer, press the timer button, when the timer indicator light flashes press the timer button again. The timer indicator light will then be off.

NOTE:

- The protective device may trip and stop the appliance in the conditions listed below.

Cooling	Room temperature is over 43°C.
	Room temperature is below 15°C.

Dehumidifying Room temperature is below 15°C.

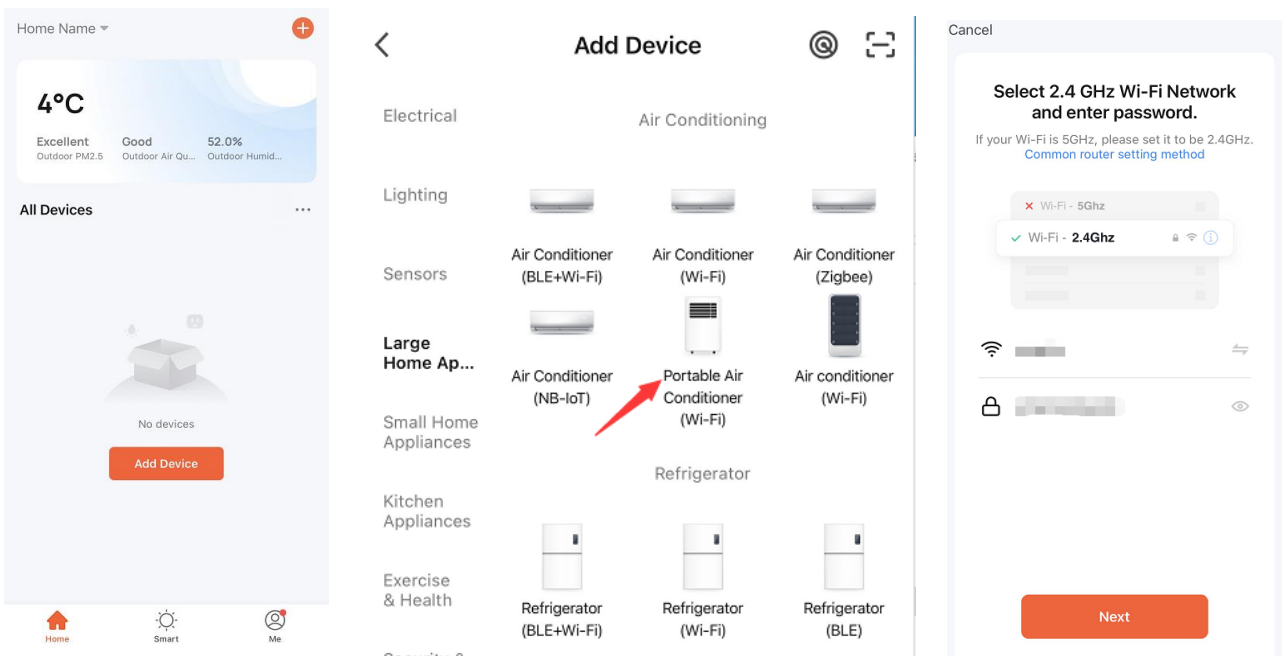
- If the appliance runs in cooling or dehumidrying mode with door or window opened for a long time when relative humidity is above 80%, dew may drip down from the air outlet.

Drain water

- 1) Special reminder: There is condensing water recycling hidden in this appliance. The condensing water is partly kept recycling between the condenser and the water tray. When the water level rises to the upper level, the water-full code “E4” will be shown on the digital display to remind of draining water.
- 2) Please cut off the power supply, move the appliance to a suitable place, pull out the stopper in the drain port to drain the water completely. If conditions permitted, you can also connect the drain hose to the drain port for the water draining.
- 3) After the draining, insert back the stopper to the drain port, otherwise the appliance may leak and make your room wet.

Wi-Fi connection guide (The guide for the APP may not be updated regularly due to software version upgrade or other reasons. This instruction is used as a guide only.):

1. Search “Tuya Smart” in App Store (for iOS) or Google play (for Android), download the application “Tuya Smart” to your phone. Sign up or log in to your account on Tuya.
2. Make sure your appliance is in standby. Long press the mode button until a beep sound is heard. The WIFI indicator light will rapidly blinking.
3. Press the “+” at right top or button “Add Device” on the home page of Tuya to add your appliance.
4. Find the category of “Portable Air Conditioner”. Press its icon and you will get the prompt that asks you to use the 2.4GHz Wi-Fi network. Note that the 5 GHz Wi-Fi is not supported by this application.
5. Enter your Wi-Fi password and connect to the Wi-Fi. Confirm the WIFI indicator light rapidly blink, press “Next”, the application will scan and add the appliance.



6. When the appliance is added successfully, the WIFI indicator light will illuminate still.
7. Now, You can use the APP to operate the appliance.

Note:

- Press the mode button in APP, you will have “Cool, Dry and Fan”. Dry mode is the same as dehumidifying mode.
- Touch the temperature display to toggle Fahrenheit and Celsius.

- When the network environment for the appliance has been changed, it requires to be reconfigured.
- You can switch on/off the WIFI function by long pressing the mode button on the control panel when the appliance is in standby. When the WIFI indicator light rapidly blinks, the appliance is waiting to be paired. When the WIFI indicator light illuminates still, the Wi-Fi has been connected. When the WIFI indicator light goes out, the WIFI has been shut off.

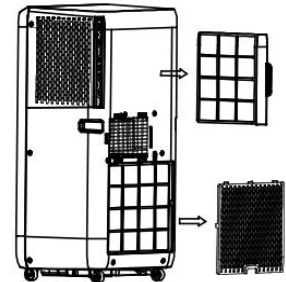
CLEANING AND MAINTENANCE

- Before cleaning, be sure to disconnect the appliance from any electric supply outlet.
- Do not use gasoline or other chemicals to clean the appliance.
- Do not wash the appliance directly.
- If the appliance is damaged, please contact the dealer or repair shop.

Air Filter

If the air filters become clogged with dust/dirt, they should be cleaned once every two weeks.

- Pull out the air filters by the pull tab.
- Clean the air filters with neutral detergent in lukewarm water (< 40°C) and dry it up in the shade.
- Reinstall the air filter.



Clean the Surface

First clean the surface with a neutral detergent and wet cloth, and then wipe it with a dry cloth.

TROUBLESHOOTING

The following cases may not always be a malfunction, please check suggestions below before asking for service.

Trouble	Analysis
Does not run	<ul style="list-style-type: none"> • If the protector trip or fuse is blown. • Please wait for 3 minutes and start again, protector device may be preventing unit from working. • If batteries in the remote controller are exhausted. • If the plug is not properly plugged in.
Runs for a short while only	<ul style="list-style-type: none"> • If the set temperature is close to room temperature, you can lower the set temperature. • Air outlet is blocked by obstacle. Take the obstacle away.
Water leak during moving	<ul style="list-style-type: none"> • Drain the condensate before moving. • To avoid water leakage, please locate the unit on flat ground.
Does not run and water full indicator "E4"	<ul style="list-style-type: none"> • Pull out the rubber plug to drain water. • If it is often in this state, please contact qualified service technical.
Appliance automatically stops	<ul style="list-style-type: none"> • Timing shut down • Set temperature reached

TECHNICAL DATA

Below data for your operating reference

Model	PAC-127277
Rated voltage	220-240V
Rated frequency	50Hz
Rated input	750W
Rated current	3.4A
Cooling capacity	7000BTU

Moisture removal (L/H)	0.8
Air flow	270m ³ /h
Max. transmitting power	18.2dBm
Frequency range	2412-2472MHz

We, Emerio, declare under our sole responsibility that the product: PAC-127277 is in conformity with the essential requirements and other relevant requirements of the RED Directive (2014/53/EU)

The complete CE declaration is available at the following address: www.emerio.eu

ERP INFORMATION

	Value																
Trademark	Emerio																
Model identification	PAC-127277																
Sound power (cooling)	64dB(A)																
Name of refrigerant	R290																
Rated power input for cooling (kW)	0.755																
Rated energy efficiency ratio	2.7																
GWP (kgCO ₂ eq)	3																
Energy efficiency class	A																
Energy consumption for double ducts appliances (kWh/h)	-																
Energy consumption for single duct appliances (kWh/h)	0.755																
Power consumption in thermostat-off mode (W)	-																
Power consumption in stand-by mode (W)	0.85																
Cooling capacity	7000BTU																
<p>Refrigerant leakage contributes to climate change. Refrigerant with lower global warming potential (GWP) would contribute less to global warming than a refrigerant with higher GWP, if leaked to the atmosphere. This appliance contains a refrigerant fluid with a GWP equal to 3. This means that if 1 kg of this refrigerant fluid would be leaked to the atmosphere, the impact on global warming would be 3 times higher than 1 kg of CO₂, over a period of 100 years. Never try to interfere with the refrigerant circuit yourself or disassemble the product yourself and always ask a professional.</p> <p>#Energy consumption 0.755 kWh for model PAC-127277 in 60 minutes of use under standard test conditions. The actual energy consumption depends on how the device is used and where it is located.</p> <p>For any additional information, please contact:</p> <table border="0"> <tr> <td>Emerio B.V.</td> <td>Customer service:</td> <td>Kundeninformation:</td> <td>Klantenservice:</td> </tr> <tr> <td>Zomervaart 1A</td> <td>T: +31 (0) 23 3034369</td> <td>T: +49 (0) 3222 1097 600</td> <td>T: +31 (0) 23 3034369</td> </tr> <tr> <td>2033 DA Haarlem</td> <td>E: info@emerio.eu</td> <td>E: info.de@emerio.eu</td> <td>E: info.nl@emerio.eu</td> </tr> <tr> <td>The Netherlands</td> <td></td> <td></td> <td></td> </tr> </table>		Emerio B.V.	Customer service:	Kundeninformation:	Klantenservice:	Zomervaart 1A	T: +31 (0) 23 3034369	T: +49 (0) 3222 1097 600	T: +31 (0) 23 3034369	2033 DA Haarlem	E: info@emerio.eu	E: info.de@emerio.eu	E: info.nl@emerio.eu	The Netherlands			
Emerio B.V.	Customer service:	Kundeninformation:	Klantenservice:														
Zomervaart 1A	T: +31 (0) 23 3034369	T: +49 (0) 3222 1097 600	T: +31 (0) 23 3034369														
2033 DA Haarlem	E: info@emerio.eu	E: info.de@emerio.eu	E: info.nl@emerio.eu														
The Netherlands																	

GUARANTEE AND CUSTOMER SERVICE

Before delivery our devices are subjected to rigorous quality control. If, despite all care, damage has occurred during production or transportation, please return the device to your dealer. In addition to statutory legal rights, the purchaser has an option to claim under the terms of the following guarantee:

For the purchased device we provide 2 years guarantee, commencing from the day of sale. If you have a defective product, you can directly go back to the point of purchase.

Defects which arise due to improper handling of the device and malfunctions due to interventions and repairs by third parties or the fitting of non-original parts are not covered by this guarantee. Always keep your receipt, without the receipt you can't claim any form of warranty. Damage caused by not following the instruction manual, will lead to a void of warranty, if this results in consequential damages then we will not be liable. Neither can we hold responsible for material damage or personal injury caused by improper use if the

instruction manual is not properly executed. Damage to accessories does not mean free replacement of the whole appliance. In such case please contact our service department. Broken glass or breakage of plastic parts is always subject to a charge. Defects to consumables or parts subjected to wearing, as well as cleaning, maintenance or the replacement of said parts are not covered by the warranty and are to be paid.

ENVIRONMENT FRIENDLY DISPOSAL



Recycling – European Directive 2012/19/EU

This marking indicates that this product should not be disposed with other household wastes. To prevent possible harm to the environment or human health from uncontrolled waste disposal, recycle it responsibly to promote the sustainable reuse of material resources. To return your used device, please use the return and collection systems or contact the retailer where the product was purchased. They can take this product for environmental safe recycling.



BATTERY MUST BE RECYCLED OR DISPOSED OF PROPERLY. DO NOT OPEN. DO NOT DISPOSE OR IN FIRE OR SHORT CIRCUIT.

Emerio B.V.

Zomervaart 1A

2033 DA Haarlem

The Netherlands

Customer service:

T: +31 (0) 23 3034369

E: info@emerio.eu

Kundeninformation:

T: +49 (0) 3222 1097 600

E: info.de@emerio.eu

Klantenservice:

T: +31 (0) 23 3034369

E: info.nl@emerio.eu

INSTRUCTIONS FOR REPAIRING APPLIANCES CONTAINING R290

1. Servicing

1) Checks to the area

Prior to beginning work on systems containing flammable refrigerants, safety checks are necessary to ensure that the risk of ignition is minimised. For repair to the refrigerating system, the following precautions shall be complied with prior to conducting work on the system.

2) Work procedure

Work shall be undertaken under a controlled procedure so as to minimise the risk of a flammable gas or vapour being present while the work is being performed.

3) General work area

All maintenance staff and others working in the local area shall be instructed on the nature of work being carried out. Work in confined spaces shall be avoided. The area around the workspace shall be sectioned off. Ensure that the conditions within the area have been made safe by control of flammable material.

4) Checking for presence of refrigerant

The area shall be checked with an appropriate refrigerant detector prior to and during work, to ensure the technician is aware of potentially flammable atmospheres. Ensure that the leak detection equipment being used is suitable for use with flammable refrigerants, i.e. non-sparking, adequately sealed or intrinsically safe.

5) Presence of fire extinguisher

If any hot work is to be conducted on the refrigeration equipment or any associated parts, appropriate fire extinguishing equipment shall be available to hand. Have a dry powder or CO₂ fire extinguisher adjacent to the charging area.

6) No ignition sources

No person carrying out work in relation to a refrigeration system which involves exposing any pipe work that contains or has contained flammable refrigerant shall use any sources of ignition in such a manner that it may lead to the risk of fire or explosion. All possible ignition sources, including cigarette smoking, should be kept sufficiently far away from the site of installation, repairing, removing and disposal, during which flammable refrigerant can possibly be released to the surrounding space. Prior to work taking place, the area around the equipment is to be surveyed to make sure that there are no flammable hazards or ignition risks. "No Smoking" signs shall be displayed.

7) Ventilated area

Ensure that the area is in the open or that it is adequately ventilated before breaking into the system or conducting any hot work. A degree of ventilation shall continue during the period that the work is carried out. The ventilation should safely disperse any released refrigerant and preferably expel it externally into the atmosphere.

8) Checks to the refrigeration equipment

Where electrical components are being changed, they shall be fit for the purpose and to the correct specification. At all times the manufacturer's maintenance and service guidelines shall be followed. If in doubt consult the manufacturer's technical department for assistance.

The following checks shall be applied to installations using flammable refrigerants:

- The charge size is in accordance with the room size within which the refrigerant containing parts are installed;
- The ventilation machinery and outlets are operating adequately and are not obstructed;
- If an indirect refrigerating circuit is being used, the secondary circuit shall be checked for the presence of refrigerant;
- Marking to the equipment continues to be visible and legible. Markings and signs that are illegible shall be corrected;

– Refrigeration pipe or components are installed in a position where they are unlikely to be exposed to any substance which may corrode refrigerant containing components, unless the components are constructed of materials which are inherently resistant to being corroded or are suitably protected against being so corroded.

9) Checks to electrical devices

Repair and maintenance to electrical components shall include initial safety checks and component inspection procedures. If a fault exists that could compromise safety, then no electrical supply shall be connected to the circuit until it is satisfactorily dealt with. If the fault cannot be corrected immediately but it is necessary to continue operation, an adequate temporary solution shall be used. This shall be reported to the owner of the equipment so all parties are advised. Initial safety checks shall include:

- That capacitors are discharged: this shall be done in a safe manner to avoid possibility of sparking;
- That there no live electrical components and wiring are exposed while charging, recovering or purging the system;
- That there is continuity of earth bonding.

2. Repairs to sealed components

1) During repairs to sealed components, all electrical supplies shall be disconnected from the equipment being worked upon prior to any removal of sealed covers, etc. If it is absolutely necessary to have an electrical supply to equipment during servicing, then a permanently operating form of leak detection shall be located at the most critical point to warn of a potentially hazardous situation.

2) Particular attention shall be paid to the following to ensure that by working on electrical components, the casing is not altered in such a way that the level of protection is affected. This shall include damage to cables, excessive number of connections, terminals not made to original specification, damage to seals, incorrect fitting of glands, etc.

Ensure that apparatus is mounted securely. Ensure that seals or sealing materials have not degraded such that they no longer serve the purpose of preventing the ingress of flammable atmospheres. Replacement parts shall be in accordance with the manufacturer's specifications.

NOTE: The use of silicon sealant may inhibit the effectiveness of some types of leak detection equipment. Intrinsically safe components do not have to be isolated prior to working on them.

3. Repair to intrinsically safe components

Do not apply any permanent inductive or capacitance loads to the circuit without ensuring that this will not exceed the permissible voltage and current permitted for the equipment in use. Intrinsically safe components are the only types that can be worked on while live in the presence of a flammable atmosphere. The test apparatus shall be at the correct rating. Replace components only with parts specified by the manufacturer. Other parts may result in the ignition of refrigerant in the atmosphere from a leak.

4. Cabling

Check that cabling will not be subject to wear, corrosion, excessive pressure, vibration, sharp edges or any other adverse environmental effects. The check shall also take into account the effects of aging or continual vibration from sources such as compressors or fans.

5. Detection of flammable refrigerants

Under no circumstances shall potential sources of ignition be used in the searching for or detection of refrigerant leaks. A halide torch (or any other detector using a naked flame) shall not be used.

6. Leak detection methods

The following leak detection methods are deemed acceptable for systems containing flammable refrigerants.

Electronic leak detectors shall be used to detect flammable refrigerants, but the sensitivity may not be adequate, or may need re-calibration. (Detection equipment shall be calibrated in a refrigerant-free area.) Ensure that the detector is not a potential source of ignition and is suitable for the refrigerant used. Leak detection equipment shall be set at a percentage of the LFL of the refrigerant and shall be calibrated to the refrigerant employed and the appropriate percentage of gas (25 % maximum) is confirmed. Leak detection fluids are suitable for use with most refrigerants but the use of detergents containing chlorine shall be avoided as the chlorine may react with the refrigerant and corrode the copper pipe-work. If a leak is suspected, all naked flames shall be removed/ extinguished. If a leakage of refrigerant is found which requires brazing, all of the refrigerant shall be recovered from the system, or isolated (by means of shut off valves) in a part of the system remote from the leak. Oxygen free nitrogen (OFN) shall then be purged through the system both before and during the brazing process.

7. Removal and evacuation

When breaking into the refrigerant circuit to make repairs – or for any other purpose – conventional procedures shall be used. However, it is important that best practice is followed since flammability is a consideration. The following procedure shall be adhered to:

- Remove refrigerant;
- Purge the circuit with inert gas;
- Evacuate;
- Purge again with inert gas;
- Open the circuit by cutting or brazing.

The refrigerant charge shall be recovered into the correct recovery cylinders. The system shall be “flushed” with OFN to render the unit safe. This process may need to be repeated several times. Compressed air or oxygen shall not be used for this task. Flushing shall be achieved by breaking the vacuum in the system with OFN and continuing to fill until the working pressure is achieved, then venting to atmosphere, and finally pulling down to a vacuum. This process shall be repeated until no refrigerant is within the system. When the final OFN charge is used, the system shall be vented down to atmospheric pressure to enable work to take place. This operation is absolutely vital if brazing operations on the pipe-work are to take place. Ensure that the outlet for the vacuum pump is not close to any ignition sources and there is ventilation available.

8. Charging procedures

In addition to conventional charging procedures, the following requirements shall be followed.

- Ensure that contamination of different refrigerants does not occur when using charging equipment. Hoses or lines shall be as short as possible to minimise the amount of refrigerant contained in them.
- Cylinders shall be kept upright.
- Ensure that the refrigeration system is earthed prior to charging the system with refrigerant.
- Label the system when charging is complete (if not already).
- Extreme care shall be taken not to overfill the refrigeration system.

Prior to recharging the system it shall be pressure tested with OFN. The system shall be leak tested on completion of charging but prior to commissioning. A follow up leak test shall be carried out prior to leaving the site.

9. Decommissioning

Before carrying out this procedure, it is essential that the technician is completely familiar with the equipment and all its detail. It is recommended good practice that all refrigerants are recovered safely. Prior to the task being carried out, an oil and refrigerant sample shall be taken in case analysis is required prior to re-use of reclaimed refrigerant. It is essential that electrical power is available before the task is commenced.

- a) Become familiar with the equipment and its operation.

- b) Isolate system electrically.
- c) Before attempting the procedure ensure that:
 - Mechanical handling equipment is available, if required for handling refrigerant cylinders;
 - All personal protective equipment is available and being used correctly;
 - The recovery process is supervised at all times by a competent person;
 - Recovery equipment and cylinders conform to the appropriate standards.
- d) Pump down refrigerant system, if possible.
- e) If a vacuum is not possible, make a manifold so that refrigerant can be removed from various parts of the system.
- f) Make sure that cylinder is situated on the scales before recovery takes place.
- g) Start the recovery machine and operate in accordance with manufacturer's instructions.
- h) Do not overfill cylinders. (No more than 80 % volume liquid charge).
- i) Do not exceed the maximum working pressure of the cylinder, even temporarily.
- j) When the cylinders have been filled correctly and the process completed, make sure that the cylinders and the equipment are removed from site promptly and all isolation valves on the equipment are closed off.
- k) Recovered refrigerant shall not be charged into another refrigeration system unless it has been cleaned and checked.

10. Labelling

Equipment shall be labelled stating that it has been de-commissioned and emptied of refrigerant. The label shall be dated and signed. Ensure that there are labels on the equipment stating the equipment contains flammable refrigerant.

11. Recovery

When removing refrigerant from a system, either for servicing or decommissioning, it is recommended good practice that all refrigerants are removed safely. When transferring refrigerant into cylinders, ensure that only appropriate refrigerant recovery cylinders are employed. Ensure that the correct number of cylinders for holding the total system charge is available. All cylinders to be used are designated for the recovered refrigerant and labelled for that refrigerant (i.e. special cylinders for the recovery of refrigerant). Cylinders shall be complete with pressure relief valve and associated shut-off valves in good working order. Empty recovery cylinders are evacuated and, if possible, cooled before recovery occurs. The recovery equipment shall be in good working order with a set of instructions concerning the equipment that is at hand and shall be suitable for the recovery of flammable refrigerants. In addition, a set of calibrated weighing scales shall be available and in good working order. Hoses shall be complete with leak-free disconnect couplings and in good condition. Before using the recovery machine, check that it is in satisfactory working order, has been properly maintained and that any associated electrical components are sealed to prevent ignition in the event of a refrigerant release. Consult manufacturer if in doubt. The recovered refrigerant shall be returned to the refrigerant supplier in the correct recovery cylinder, and the relevant Waste Transfer Note arranged. Do not mix refrigerants in recovery units and especially not in cylinders. If compressors or compressor oils are to be removed, ensure that they have been evacuated to an acceptable level to make certain that flammable refrigerant does not remain within the lubricant. The evacuation process shall be carried out prior to returning the compressor to the suppliers. Only electric heating to the compressor body shall be employed to accelerate this process. When oil is drained from a system, it shall be carried out safely.

Competence of service personnel

General

Special training additional to usual refrigerating equipment repair procedures is required when equipment with flammable refrigerants is affected.

In many countries, this training is carried out by national training organisations that are accredited to teach the relevant national competency standards that may be set in legislation.

The achieved competence should be documented by a certificate.

Training

The training should include the substance of the following:

Information about the explosion potential of flammable refrigerants to show that flammables may be dangerous when handled without care.

Information about potential ignition sources, especially those that are not obvious, such as lighters, light switches, vacuum cleaners, electric heaters.

Information about the different safety concepts:

Unventilated – Safety of the appliance does not depend on ventilation of the housing. Switching off the appliance or opening of the housing has no significant effect on the safety. Nevertheless, it is possible that leaking refrigerant may accumulate inside the enclosure and flammable atmosphere will be released when the enclosure is opened.

Ventilated enclosure – Safety of the appliance depends on ventilation of the housing. Switching off the appliance or opening of the enclosure has a significant effect on the safety. Care should be taken to ensure a sufficient ventilation before.

Ventilated room – Safety of the appliance depends on the ventilation of the room. Switching off the appliance or opening of the housing has no significant effect on the safety. The ventilation of the room shall not be switched off during repair procedures.

Information about the concept of sealed components and sealed enclosures according to IEC 60079-15:2010.

Information about the correct working procedures:

a) Commissioning

- Ensure that the floor area is sufficient for the refrigerant charge or that the ventilation hose is assembled in a correct manner.
- Connect the pipes and carry out a leak test before charging with refrigerant.
- Check safety equipment before putting into service.

b) Maintenance

- Portable equipment shall be repaired outside or in a workshop specially equipped for servicing units with flammable refrigerants.
- Ensure sufficient ventilation at the repair place.
- Be aware that malfunction of the equipment may be caused by refrigerant loss and a refrigerant leak is possible.
- Discharge capacitors in a way that won't cause any spark. The standard procedure to short circuit the capacitor terminals usually creates sparks.
- Reassemble sealed enclosures accurately. If seals are worn, replace them.
- Check safety equipment before putting into service.

c) Repair

- Portable equipment shall be repaired outside or in a workshop specially equipped for servicing units with flammable refrigerants.
- Ensure sufficient ventilation at the repair place.
- Be aware that malfunction of the equipment may be caused by refrigerant loss and a refrigerant leak is possible.
- Discharge capacitors in a way that won't cause any spark.
- When brazing is required, the following procedures shall be carried out in the right order:
 - Remove the refrigerant. If the recovery is not required by national regulations, drain the refrigerant to the outside. Take care that the drained refrigerant will not cause any danger. In doubt, one person should guard the outlet. Take special care that drained refrigerant will not float back into the building.

- Evacuate the refrigerant circuit.
- Purge the refrigerant circuit with nitrogen for 5 min.
- Evacuate again.
- Remove parts to be replaced by cutting, not by flame.
- Purge the braze point with nitrogen during the brazing procedure.
- Carry out a leak test before charging with refrigerant.
- Reassemble sealed enclosures accurately. If seals are worn, replace them.
- Check safety equipment before putting into service.

d) Decommissioning

- If the safety is affected when the equipment is putted out of service, the refrigerant charge shall be removed before decommissioning.
- Ensure sufficient ventilation at the equipment location.
- Be aware that malfunction of the equipment may be caused by refrigerant loss and a refrigerant leak is possible.
- Discharge capacitors in a way that won't cause any spark.
- Remove the refrigerant. If the recovery is not required by national regulations, drain the refrigerant to the outside. Take care that the drained refrigerant will not cause any danger. In doubt, one person should guard the outlet. Take special care that drained refrigerant will not float back into the building.
- Evacuate the refrigerant circuit.
- Purge the refrigerant circuit with nitrogen for 5 min.
- Evacuate again.
- Fill with nitrogen up to atmospheric pressure.
- Put a label on the equipment that the refrigerant is removed.

e) Disposal

- Ensure sufficient ventilation at the working place.
- Remove the refrigerant. If the recovery is not required by national regulations, drain the refrigerant to the outside. Take care that the drained refrigerant will not cause any danger. In doubt, one person should guard the outlet. Take special care that drained refrigerant will not float back into the building.
- Evacuate the refrigerant circuit.
- Purge the refrigerant circuit with nitrogen for 5 min.
- Evacuate again.
- Cut out the compressor and drain the oil.

Transportation, marking and storage for units that employ flammable refrigerants

Transport of equipment containing flammable refrigerants

Attention is drawn to the fact that additional transportation regulations may exist with respect to equipment containing flammable gas. The maximum number of pieces of equipment or the configuration of the equipment, permitted to be transported together will be determined by the applicable transport regulations.

Marking of equipment using signs

Signs for similar appliances used in a work area generally are addressed by local regulations and give the minimum requirements for the provision of safety and/or health signs for a work location.

All required signs are to be maintained and employers should ensure that employees receive suitable and sufficient instruction and training on the meaning of appropriate safety signs and the actions that need to be taken in connection with these signs.

The effectiveness of signs should not be diminished by too many signs being placed together.

Any pictograms used should be as simple as possible and contain only essential details.

Disposal of equipment using flammable refrigerants

See national regulations.

Storage of equipment/appliances

The storage of equipment should be in accordance with the manufacturer's instructions.

Storage of packed (unsold) equipment

Storage package protection should be constructed such that mechanical damage to the equipment inside the package will not cause a leak of the refrigerant charge.

The maximum number of pieces of equipment permitted to be stored together will be determined by local regulations.

Vielen Dank, dass Sie sich für unser Produkt entschieden haben. Lesen Sie diese Bedienungsanleitung vor der Inbetriebnahme des Gerätes sorgfältig durch, um einen ordnungsgemäßen Betrieb sicherzustellen.

WICHTIGE ANWEISUNGEN:

Bei der Verwendung elektrischer Geräte müssen immer grundlegende Sicherheitsvorkehrungen beachtet werden, um die Risiken von Bränden, elektrischen Schlägen, Verbrennungen und anderen Verletzungen zu reduzieren.

1. Lesen und bewahren Sie diese Anleitungen auf. Achtung: Die Bilder in der Bedienungsanleitung dienen nur zur Veranschaulichung.
2. Dieses Gerät kann von Kindern ab 8 Jahren und von Personen mit eingeschränkten physischen, sensorischen oder geistigen Fähigkeiten oder ohne Erfahrung und/oder Wissen benutzt werden, wenn diese durch eine für ihre Sicherheit zuständige Person beaufsichtigt werden oder von ihr Anweisungen erhalten, wie das Gerät sicher zu benutzen ist und sie auf die Risiken aufmerksam gemacht wurden.
3. Kinder dürfen nicht mit dem Gerät spielen.
4. Kinder sollten dieses Gerät nicht unbeaufsichtigt reinigen oder warten.
5. Wenn die Netzanschlussleitung dieses Gerätes beschädigt wird, muss sie durch den Hersteller oder seinen Kundendienst oder eine ähnlich qualifizierte Person ersetzt werden, um Gefährdungen zu vermeiden.
6. Nur in geschlossenen Räumen verwenden.
7. Das Gerät nicht in der Nähe von Zündquellen oder dort verwenden, wo Ölspritzer entstehen können. Vor direktem Sonnenlicht und Spritzwasser schützen und nicht in der Nähe eines Bades, eines Wäscheraums, einer Dusche oder eines Schwimmbads aufstellen.
8. Die Finger nicht in den Luftauslass stecken. Kinder besonders auf diese Gefahren hinweisen.

9. Während des Transports und beim Aufbewahren das Gerät aufrecht abstellen, damit der Kompressor in korrekter Position bleibt.
10. Das Gerät vor dem Reinigen oder Verstellen immer ausschalten und vom Netz trennen.
11. Um Brände zu vermeiden, darf das Gerät nicht zugedeckt werden.
12. Alle für das Klimagerät verwendeten Steckdosen müssen die örtlichen Sicherheitsbestimmungen für Elektrogeräte erfüllen. Ggf. die Voraussetzungen hierfür überprüfen.
13. Bei der Geräteinstallation müssen die nationalen Vorschriften für die Elektroverdrahtung beachtet werden.
14. Angaben zu den Sicherungen: T, 250 VAC, 3,15 A.
15. Im Falle einer Reparatur oder Wartung am Gerät einen Vertragskundendienst kontaktieren.
16. Nicht am Netzkabel ziehen, das Kabel verändern oder in Wasser tauchen. Durch das Ziehen oder Zweckentfremden des Netzkabels können Geräteschäden und Stromschläge hervorgerufen werden.
17. Die nationalen Vorschriften für Gasverbraucher müssen eingehalten werden.
18. Reparaturen dürfen nur gemäß Empfehlungen des Herstellers vorgenommen werden. Reparatur- und Wartungsarbeiten, für die anderes Fachpersonal erforderlich ist, müssen unter Aufsicht einer Person durchgeführt werden, die sich mit dem Einsatz zündfähiger Kühlmittel auskennt.
19. Zum Unterbrechen oder Abstellen des Geräts nicht den Netzstecker ziehen. Das kann Stromschläge oder Brände aufgrund der Wärmefreisetzung hervorrufen.
20. Netzstecker ziehen, falls seltsame Geräusche, Gerüche oder Rauch aus dem Gerät aufsteigen.
21. Zum Anschließen des Geräts immer eine geerdete Steckdose verwenden.
22. Im Falle einer Beschädigung das Gerät ausschalten, vom Netz trennen und zwecks Reparatur einen Vertragskundendienst kontaktieren.

23. Bis auf die vom Hersteller empfohlenen Hilfsmittel keine anderen Mittel einsetzen, um den Abtauvorgang zu beschleunigen oder das Gerät zu reinigen.
24. Das Gerät muss in einem Raum aufbewahrt werden, in dem sich keine dauerhaft funktionierenden Zündquellen befinden (z. B. offene Flammen, ein in Betrieb befindliches gasbetriebenes Gerät oder eine in Betrieb befindliche Elektroheizung).
25. Nicht hineinstecken oder verbrennen.
26. Wir weisen darauf hin, dass Kältemittel unter Umständen geruchlos sind.
27. Dieses Gerät enthält gasförmiges Kältemittel vom Typ R290. R290 ist Kältemittel in Gasform, das den europäischen Umweltrichtlinien entspricht. Der Kältemittelkreislauf darf an keiner Stelle durchstoßen werden.
28. Wird das Gerät in einem unbelüfteten Bereich installiert, betrieben oder aufbewahrt, muss der Raum so konzipiert sein, dass sich kein ausgelaufenes Kältemittel sammeln und zu einer Brand- oder Explosionsgefahr werden kann, falls das Kältemittel durch eine Elektroheizung, Ofen oder eine andere Zündquelle gezündet wird.
29. Das Gerät muss so gelagert werden, dass keine mechanischen Defekte auftreten können.
30. Die Person, die arbeiten am Kältemittelkreislauf ausführt oder diesen betreibt, muss ein entsprechendes Zertifikat vorlegen können, das von einem akkreditierten Institut ausgestellt wurde und nachweist, dass die Person über die Fachkompetenzen zur industriekonformen Handhabung von Kältemitteln verfügt.
31. Bei der Ausführung von Reparaturen müssen die Empfehlungen des Herstellers zugrunde gelegt werden. Wartungs- und Reparaturarbeiten, für die weiteres Fachpersonal erforderlich ist, müssen unter der Aufsicht einer Person durchgeführt werden, die sich mit der Verwendung zündfähiger Kältemittel auskennt.

32. Die folgenden Absätze bei der Reparatur von Geräten mit R290 Kältemittel beachten.
33. Nach dem Transport an einen anderen Ort muss das Gerät immer mindestens 2 Stunden ruhen.



Warnung: Brandgefahr / zündfähiges Material.



Anleitungen lesen.



Bedienungsanleitung; Betriebsanleitung.



Symbol für Reparatur/Wartung; technische Anleitung lesen.

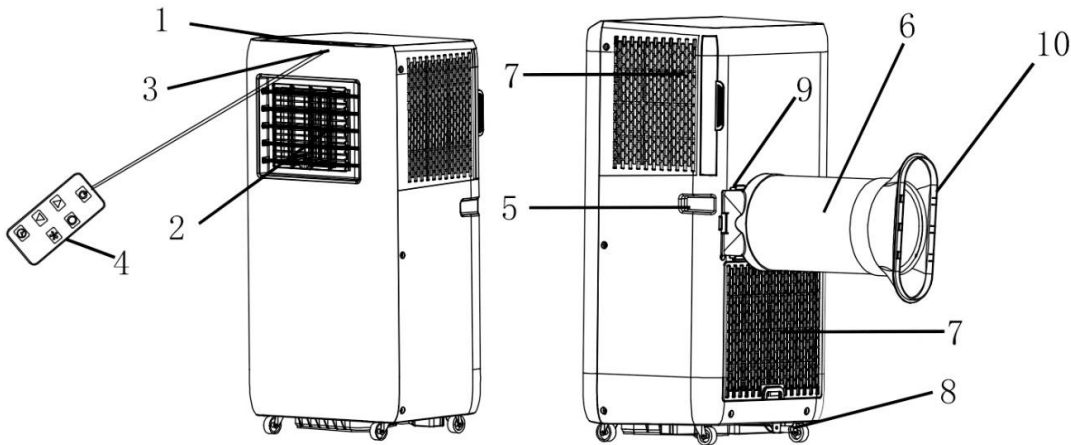
Warnung: Belüftungsöffnungen von Blockaden frei halten.

Warnung: Das Gerät muss in einem gut belüfteten Raum stehen, dessen Größe mit den Raumangaben in den technischen Daten übereinstimmt.

Ein Mindestabstand von 30 cm sollte um das Gerät herum eingehalten werden.

Das Gerät muss in einem Raum installiert, betrieben und aufbewahrt werden, dessen Bodenfläche größer ist als 4 m².

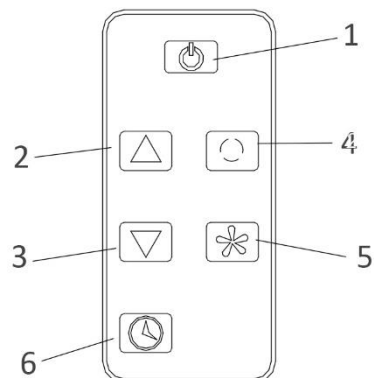
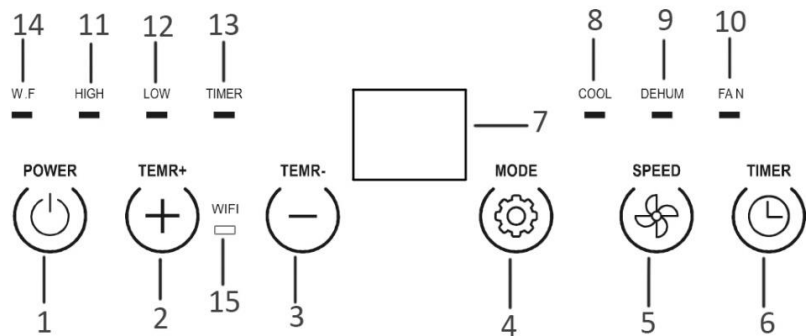
BEZEICHNUNG DER EINZELTEILE



- 1. Bedienfeld
- 2. Luftauslass und Luftleitlamellen
- 3. Signalempfänger
- 4. Fernbedienung
- 5. Griff
- 6. Abluftschlauch
- 7. Luftenlass und Luftfilter
- 8. Ablauföffnung (mit Stopfen verschlossen)
- 9. Schlauchanschluss
- 10. Fensteradapter

Bedienfeld

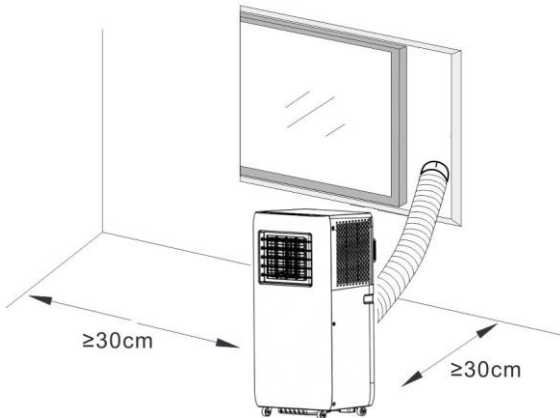
- 1. Hauptschalter
- 2. Taste Temperatur/Timer +
- 3. Taste Temperatur/Timer -
- 4. Modus-Taste
- 5. Lüfterstufenschalter
- 6. Timer-Taste
- 7. Digitales Display
- 8. Anzeigeleuchte Kühlbetrieb
- 9. Anzeigeleuchte Entfeuchtungsstufe
- 10. Anzeigeleuchte Ventilatormodus
- 11. Anzeigeleuchte hohe Lüfterstufe
- 12. Anzeigeleuchte niedrige Lüfterstufe
- 13. Timer-Anzeigeleuchte
- 14. Anzeigeleuchte Wasserbehälter voll
- 15. WLAN-Anzeigeleuchte



Dieses Gerät hat eine Fernbedienung. Für die Fernbedienung wird eine CR2025 Batterie mitgeliefert. Vor der Benutzung der Fernbedienung muss der Kunststoffschutz von der Batterie entfernt werden. Zum Wechseln der Batterie bitte die Anweisungen hinten auf der Fernbedienung befolgen. Wird die Fernbedienung längere Zeit nicht genutzt, nehmen Sie die Batterie heraus. Knopfzellenbatterien sind außer Reichweite von kleinen Kindern zu halten.

MONTAGE

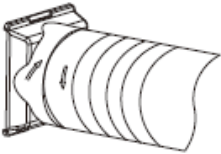
- Das Gerät muss auf einer ebenen Fläche aufgestellt werden, auf der der Luftauslass nicht blockiert wird. Ein Mindestabstand von 30 cm sollte um das Gerät herum eingehalten werden.



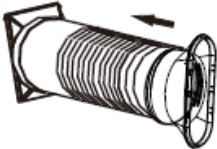
- Das Gerät darf nicht in einem Wäscheraum aufgestellt werden.
- Zum Verlängern des Abluftschlauchs ziehen Sie an beiden Schlauchenden.



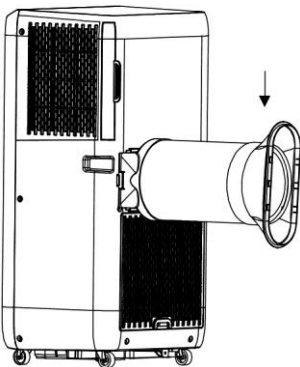
- Schrauben Sie den Abluftschlauch am Schlauchanschluss fest.



- Schrauben Sie das andere Ende des Abluftschlauchs am Fensteradapter fest.



- Führen Sie den Schlauchanschluss in die Halterung auf der Rückseite des Geräts ein.



BETRIEB

*Nach dem Transport an einen anderen Ort muss das Gerät immer mindestens 2 Stunden ruhen.

Vor dem Gebrauch prüfen, ob der Abluftschlauch auch korrekt angebracht ist. Gerät an eine Steckdose anschließen. Die Lamellen können manuell verstellt werden.

1. Betriebstaste

Drücken Sie zum Einschalten die Betriebstaste. Das Gerät nimmt nun den Betrieb auf.

Die Taste erneut drücken, um das Gerät auszuschalten.

2. Tasten zur Hochsetzung der Temperatur/des Timers & zur Herabsetzung der Temperatur/des Timers

Drücken Sie die Taste „+“/“-“ auf dem Bedienfeld oder die Taste “▲”/“▼” auf der Fernbedienung, um eine gewünschte Raumtemperatur zwischen 15 und 31°C einzustellen. Die Tasten dienen auch zur Einstellung des Timers. Mit jedem Tastendruck erhöht/verringert sich der Wert um 1 (°C bzw. Stunde).

3. Taste Ventilatorstufe

Lüfterstufenschalter drücken, um zwischen niedriger und hoher Lüfterstufe umzuschalten. Die entsprechende Anzeigelampe leuchtet dann auf „LOW“/“HIGH“.

4. Modus-Taste

Die Modus-Taste drücken, um zwischen Kühlen, Entfeuchten und Lüften umzuschalten. Nach Auswahl des Betriebsmodus leuchtet die entsprechende Anzeigeleuchte auf.

- Kühlbetrieb

Der Kompressor wird zugeschaltet, sobald die Raumtemperatur höher als die Solltemperatur ist.

Wenn die Raumtemperatur niedriger als die Solltemperatur ist, hält der Kompressor an und der Lüfter dreht sich mit der ursprünglichen Söldrehzahl.

Hinweis: Während des Kompressorbetriebs vibriert das Gerät leicht. Dies ist normal und harmlos.

- Entfeuchtungsmodus

Im Entfeuchtungsmodus läuft der Ventilator auf niedriger Stufe. Die Ventilatorstufe und -temperatur können nicht verstellt werden.

Der Kompressor hält nach 8 Minuten Betrieb an und schaltet sich nach 6 Minuten wieder zu. Dieser Ablauf wiederholt sich ständig.

- Lüfterbetrieb

Wenn der Lüfter mit der eingestellten Drehzahl läuft, ist der Kompressor aus.

Die Einstellung der Temperatur hat im Lüfterbetrieb keine Auswirkungen auf die Gerätefunktion.

5. Timer-Taste

Einschaltautomatik einstellen

- Bei ausgeschaltetem Gerät die Timer-Taste drücken. Die Timer-LED blinkt.
- Zum Einstellen der gewünschten Einschaltzeit (1 bis 24 Stunden) drücken Sie die Timer+/- Taste. Die Timer-Anzeige blinkt einige Sekunden lang und leuchtet anschließend kontinuierlich. Das digitale Display schaltet sich aus. Die Timer-Einstellung ist bestätigt.
- Sie können die Lüftergeschwindigkeit oder den Modus gleichzeitig auswählen.
- Sobald die vorgewählte Anzahl der Stunden vorüber ist, schaltet sich das Gerät automatisch ein.

Ausschaltautomatik einstellen

- Bei eingeschaltetem Gerät die Timer-Taste drücken. Die Timer-Anzeige blinkt.
- Zum Einstellen der gewünschten Ausschaltzeit (1 bis 24 Stunden) drücken Sie die Timer+/- Taste. Die Timer-Anzeige blinkt einige Sekunden und leuchtet anschließend kontinuierlich. Die Timer-Einstellung ist bestätigt.
- Sobald die vorgewählte Anzahl der Stunden vorüber ist, schaltet sich das Gerät automatisch aus.

Um den Timer abzubrechen, drücken Sie die Timer-Taste. Wenn die Timer-Anzeigeleuchte blinkt, drücken Sie die Timer-Taste erneut. Die Timer-Anzeigeleuchte erlischt anschließend.

HINWEIS:

- Wenn die unten aufgeführten Bedingungen zutreffen, löst unter Umständen die Sicherung aus und das Gerät hält an.

Kühlen	Raumtemperatur übersteigt 43 °C.
	Raumtemperatur liegt unter 15 °C.
Luftentfeuchtung	Raumtemperatur liegt unter 15 °C.

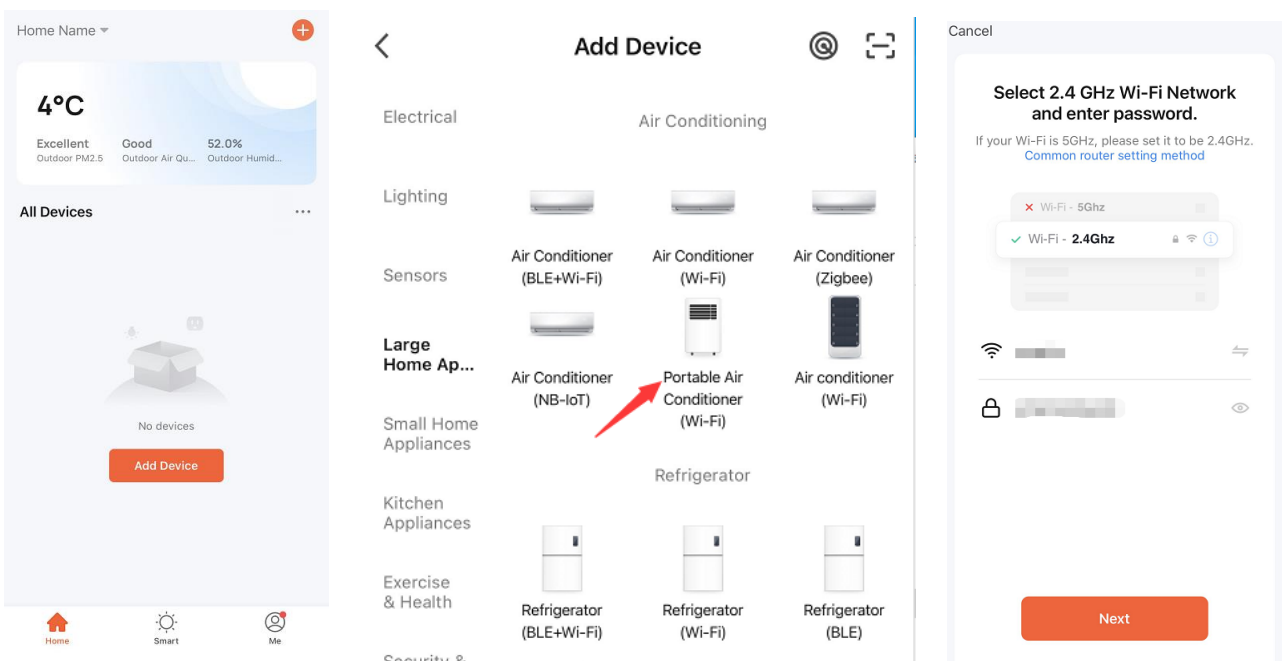
- Falls das Gerät im Kühl- oder Trockenbetrieb läuft und eine Tür oder ein Fenster länger geöffnet ist und die relative Luftfeuchte höher als 80 % ist, kann aus dem Luftauslass Tauwasser tropfen.

Wasser ablaufen lassen

- 1) Besonderer Hinweis: Im Geräteinneren wird Kondenswasser rückgewonnen. Dieser Vorgang ist nicht sichtbar. Das Kondenswasser wird zum Teil zwischen dem Kondensator und der Auffangwanne zurückgewonnen. Steigt der Wasserstand bis zur oberen Füllmarke, wird der Wasserstand-Fehler "E4" im Digital-Display angezeigt, um an das Ablassen des Wassers zu erinnern.
- 2) Ziehen Sie den Netzstecker des Geräts, fahren Sie es an einen geeigneten Ort und ziehen Sie den Stopfen, um das Wasser über den Geräteablauf vollständig ablaufen zu lassen. Falls es die Umstände erlauben, können Sie auch den Ablaufschlauch an die Ablauföffnung anschließen und das Wasser ablaufen lassen.
- 3) Bringen Sie den Stopfen nach dem Entleeren des Geräts wieder an der Ablauföffnung an. Andernfalls läuft Wasser aus dem Gerät aus und der Raum wird nass.

WLAN-Kopplungsanleitung (Die APP-Anleitung wird unter Umständen nicht regelmäßig aktualisiert. Das kann mit einer Aktualisierung der Software-Version oder mit anderen Gründen zusammenhängen. Diese Anleitung dient nur als Leitfaden.)

1. Suchen Sie im App Store (iOS) oder auf Google Play (Android) nach der App "Tuya Smart" und laden Sie sie auf Ihr Smartphone herunter. Registrieren Sie sich oder melden Sie sich bei Ihrem Tuya Konto an.
2. Stellen Sie sicher, dass sich Ihr Gerät im Standby-Modus befindet. Halten Sie die Taste länger gedrückt, bis ein akustisches Signal ertönt. Die WLAN-Anzeigeleuchte blinkt schnell.
3. Drücken Sie das Pluszeichen „+“ oben rechts bzw. wählen Sie auf der Startseite von Tuya die Option „Add Device“, um Ihr Gerät hinzuzufügen.
4. Suchen Sie die Kategorie „Portable Air Conditioner“. Tippen Sie auf das zugehörige Symbol. In einer Meldung müssen die Verwendung des 2,4 GHz WLAN-Netzwerks bestätigen. 5 GHz WLANs werden von dieser Anwendung nicht unterstützt.
5. Geben Sie Ihr WLAN-Passwort ein, um sich mit dem WLAN zu verbinden. Kontrollieren Sie, ob die WLAN-Anzeigeleuchte schnell blinkt. Wählen Sie dann „Weiter“. Die Anwendung fragt das Gerät und fügt es hinzu.



6. Wenn das Gerät erfolgreich hinzugefügt wurde, leuchtet die WLAN-Anzeigeleuchte weiter.
7. Nun können Sie das Gerät mit der APP bedienen.

Hinweis:

- Wenn Sie in der APP auf Modus tippen, haben Sie die Auswahl zwischen "Cool, Dry und Fan". Dry steht für den Entfeuchtungsmodus.
- Berühren Sie die Temperaturanzeige, um zwischen Fahrenheit und Celsius umzuschalten.
- Falls sich die Netzwerkumgebung für das Gerät geändert hat, muss es erneut konfiguriert werden.
- Zum Aus- und Einschalten der WLAN-Funktion halten Sie die Mode-Taste auf dem Bedienfeld gedrückt, wenn sich das Gerät im Standby-Modus befindet. Wenn die WLAN-Anzeigeleuchte schnell blinkt, wartet das Gerät auf eine Kopplung. Wenn die WLAN-Anzeigeleuchte weiterhin leuchtet, wurde die WLAN-Verbindung hergestellt. Wenn die WLAN-Anzeigeleuchte erlischt, wurde das WLAN ausgeschaltet.

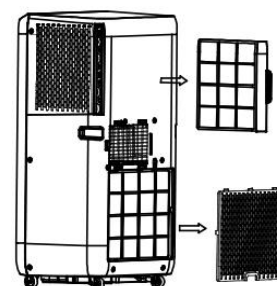
REINIGUNG UND WARTUNG

- Vor dem Reinigen den Gerätestecker aus der Steckdose ziehen.
- Zum Reinigen des Geräts kein Benzin oder sonstige Chemikalien verwenden.
- Das Gerät nicht direkt abwaschen.
- Wenn das Gerät beschädigt ist, bitte den Händler oder eine Werkstatt kontaktieren.

Luftfilter

Die Luftfilter sollten alle zwei Wochen gereinigt werden, um zu verhindern, dass sie durch Staub/Verunreinigungen verstopft werden.

- Luftfilter an der Lasche herausziehen.
- Den Luftfilter in lauwarmem Wasser (< 40 °C) und Neutralreiniger auswaschen und im Schatten trocknen lassen.
- Den Luftfilter wieder montieren.



Flächen reinigen

Die Flächen zunächst mit einem Neutralreiniger und einem feuchten Lappen abwischen, danach mit einem trocknen Tuch abwischen.

PROBLEMBEHEBUNG

Folgende Umstände deuten nicht immer auf eine Fehlfunktion hin. Lesen Sie sich die Vorschläge durch, bevor Sie eine Reparatur in Auftrag geben.

Problem	Erläuterung
Keine Funktion	<ul style="list-style-type: none"> • Geräteschutz oder Sicherung hat ausgelöst. • Warten Sie 3 Minuten lang und starten Sie das Gerät erneut. Eventuell hat der Geräteschutz den Betrieb verhindert. • Batterien in der Fernbedienung sind leer. • Der Netzstecker ist nicht richtig angeschlossen.
Nur kurz eingeschaltet	<ul style="list-style-type: none"> • Ist die Solltemperatur kaum höher als die Raumtemperatur, können Sie die Solltemperatur senken. • Der Luftauslass ist durch ein Hindernis blockiert. Hindernis entfernen.
Wasser tritt beim Versetzen des Geräts aus	<ul style="list-style-type: none"> • Lassen Sie das Kondensat ab, bevor Sie das Gerät versetzen. • Stellen Sie das Gerät auf einem ebenen Boden ab, um ein Auslaufen von Wasser zu vermeiden.
Keine Funktion und in der Anzeige wird „E4“ gemeldet (Wasserbehälter voll)	<ul style="list-style-type: none"> • Ziehen Sie den Gummistopfen ab, um das Wasser abzulassen. • Tritt dieser Fall häufiger auf, wenden Sie sich an einen qualifizierten Kundendienst.
Gerät hält automatisch an	<ul style="list-style-type: none"> • Timer-Abschaltung • Solltemperatur erreicht

TECHNISCHE DATEN

Für das Gerät gelten folgende Anschlusswerte

Modell	PAC-127277
Nennspannung	220-240V
Nennfrequenz	50Hz
Nenneingangsleistung	750W
Nennstrom	3.4A
Kühlleistung	7000BTU
Trocknungsleistung (l/h)	0.8
Luftvolumen	270m ³ /h
Max. Sendeleistung	18,2 dBm
Frequenzbereich	2412 - 2472 MHz

Wir, Emerio, erklären in alleiniger Verantwortung, dass das Produkt: PAC-127277 die grundlegenden Anforderungen und weitere relevante Voraussetzungen gemäß RED-Richtlinie (2014/53/EU) erfüllt
Die vollständige CE-Erklärung ist unter folgender Adresse abrufbar: www.emerio.eu

ERP-INFORMATIONEN

	Wert
Handelsmarke	Emerio
Modellbezeichnung	PAC-127277
Schalleistung (Kühlbetrieb)	64dB(A)
Bezeichnung des Kältemittels	R290
Nenneingangsleistung im Kühlbetrieb (kW)	0.755
Bemessene Energieeffizienz	2.7
GWP (kgCO ₂ eq)	3
Energieeffizienzklasse	A
Energieverbrauch bei Geräten mit Zweikreisystemen (kWh/h)	-
Energieverbrauch bei Geräten mit Einkreisystemen (kWh/h)	0.755
Leistungsverbrauch bei ausgeschaltetem Thermostat (W)	-
Leistungsverbrauch im Standby (W)	0.85
Kühlleistung	7000BTU

Kältemittellecks tragen zum Klimawandel bei. Ein Kältemittel mit geringerem Treibhauspotenzial (GWP, Global Warming Potential) trägt in geringerem Maße zur globalen Erwärmung bei als ein Kältemittel mit höherem Treibhauspotenzial, wenn es in die Atmosphäre entweicht. Dieses Gerät enthält ein flüssiges Kältemittel mit einem GWP-Wert von 3. Das bedeutet: Wenn 1 kg dieses flüssigen Kältemittels in die Atmosphäre gelangen würde, wäre die Auswirkung auf die globale Erwärmung über einen Zeitraum von 100 Jahren dreimal höher als bei 1 kg CO₂. Versuchen Sie niemals, selbst in den Kältemittelkreislauf einzugreifen oder das Produkt zu zerlegen. Beauftragen Sie immer eine Fachkraft.

#Bei 60-minütigem Gebrauch unter Standardtestbedingungen beträgt der Energieverbrauch 0.755 kWh für Modell PAC-127277. Der tatsächliche Energieverbrauch hängt davon ab, wie und wo das Gerät benutzt wird.

Um weitere Informationen zu erhalten, kontaktieren Sie bitte:

Emerio B.V. Zomervaat 1A 2033 DA Haarlem The Netherlands	Customer service: T: +31 (0) 23 3034369 E: info@emerio.eu	Kundeninformation: T: +49 (0) 3222 1097 600 E: info.de@emerio.eu	Klantenservice: T: +31 (0) 23 3034369 E: info.nl@emerio.eu
--	--	--	--

GARANTIE UND KUNDENSERVICE

Vor der Lieferung werden unsere Geräte einer strengen Qualitätskontrolle unterzogen. Wenn, trotz aller Sorgfalt, während der Produktion oder dem Transport Beschädigungen aufgetreten sind, senden Sie das Gerät zurück an den Händler. Zusätzlich zu den gesetzlichen Rechten hat der Käufer die Option, gemäß den folgenden Bedingungen Garantie zu fordern:

Wir bieten eine 2-Jahres-Garantie für das erworbene Gerät, beginnend am Tag des Verkaufs. Defekte, die aufgrund von unangemessenem Umgang mit dem Gerät entstehen und Störungen aufgrund von Eingriffen und Reparaturen Dritter oder das Montieren von nicht-Originalteilen werden nicht von dieser Garantie abgedeckt. Die Quittung immer aufbewahren, ohne Quittung wird jegliche Garantie ausgeschlossen. Bei Schäden durch Nichteinhalten der Bedienungsanleitung erlischt die Garantie, Wir sind für daraus resultierende Folgeschäden nicht haftbar. Für Materialschäden oder Verletzungen aufgrund falscher Anwendung oder Nichtbefolgen der Sicherheitshinweise sind wir nicht haftbar. Schäden an den Zubehörteilen bedeutet nicht, dass das gesamte Gerät kostenlos ausgetauscht wird. In diesem Fall kontaktieren Sie unseren Kundendienst. Zerbrochenes Glas oder Kunststoffteile sind immer kostenpflichtig. Schäden an Verbrauchsmaterialien oder Verschleißteilen, sowie Reinigung, Wartung oder Austausch der besagten Teile werden durch die Garantie nicht abgedeckt und sind deshalb kostenpflichtig.

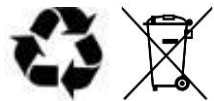
UMWELTGERECHTE ENTSORGUNG



Wiederverwertung – Europäischen Richtlinie 2012/19/EG

Dieses Symbol zeigt an, dass das Produkt nicht zusammen mit Haushaltsabfällen entsorgt werden darf. Um Umwelt- und Gesundheitsschäden durch unkontrollierte Abfallentsorgung zu verhindern,

bitte verantwortungsbewusst entsorgen, um die nachhaltige Wiederverwertung von Ressourcen zu fördern. Nutzen Sie zur Rückgabe Ihres Altgeräts bitte die Rückgabe- und Sammelsysteme oder wenden Sie sich an den Händler bei dem Sie dieses Gerät erworben haben. Dieser kann das Gerät umweltschonend entsorgen.



BATTERIEN MÜSSEN WIEDERVERWERTET ODER KORREKT ENTSORGT WERDEN. NICHT ÖFFNEN. NICHT WEGWERFEN, IN FEUER WERFEN ODER KURZSCHLIESSEN.

Emerio B.V.
Zomervaart 1A
2033 DA Haarlem
The Netherlands

Customer service:
T: +31 (0) 23 3034369
E: info@emerio.eu

Kundeninformation:
T: +49 (0) 3222 1097 600
E: info.de@emerio.eu

Klantenservice:
T: +31 (0) 23 3034369
E: info.nl@emerio.eu

ANWEISUNGEN FÜR DIE REPARATUR VON GERÄTEN, DIE R290 ENTHALTEN

1. Reparaturen

1) Prüfung des Bereichs

Vor Arbeiten an Systemen, die zündfähige Kältemittel enthalten, sind Sicherheitskontrollen erforderlich, um für eine Minimierung des Zündrisikos zu sorgen. Zur Reparatur von Kälteanlagen müssen die folgenden Sicherheitsvorkehrungen getroffen werden, bevor Arbeiten an den Anlagen durchgeführt werden.

2) Arbeitsweise

Die Arbeiten müssen unter kontrollierten Bedingungen ausgeführt werden, um das Risiko so gering wie möglich zu halten, dass während der Arbeiten zündfähige Gase oder Dämpfe vorhanden sind.

3) Allgemeines zum Arbeitsbereich

Das gesamte Wartungspersonal sowie andere, die in dem Arbeitsbereich tätig sind, müssen in die Art der auszuführenden Arbeiten eingewiesen werden. Arbeiten bei mangelndem Platzangebot sind zu vermeiden. Die Zone um den Arbeitsbereich herum muss abgesperrt werden. Es ist sicherzustellen, dass die Arbeitsbedingungen innerhalb der Zone durch eine Kontrolle des zündfähigen Materials sicher gemacht wurden.

4) Prüfung auf Kältemittel

Mit einem geeigneten Kältemittel-Detektor muss der Bereich vor Beginn und während der Arbeiten auf das Vorhandensein eines Kältemittels überprüft werden, damit das technische Personal über eine potenziell zündfähige Atmosphäre informiert ist. Das verwendete Lecksuchgerät muss für die Erkennung von zündfähigen Kältemitteln geeignet sein, d. h. es darf keine Funken bilden und es muss angemessen versiegelt bzw. eigensicher sein.

5) Prüfung auf Feuerlöschgeräte

Falls Heiarbeiten an Kälteanlagen oder dazu gehrigen Komponenten durchzufhren sind, muss eine geeignete Feuerlscheinrichtung griffbereit sein. Neben dem Einlaufbereich sollte ein Feuerlschgert mit Trockenpulver oder CO₂ bereit stehen.

6) Keine Zndquellen

Personen, die Arbeiten an einer Klteanlage ausfhren, bei denen Rohrleitungen freigelegt werden, in denen zndfhige Kltemittel geleitet werden oder wurden, drfen Zndquellen keinesfalls auf eine Weise benutzen, die zu einer Brand- oder Explosionsgefahr fhren kann. Alle mglichen Zndquellen wie etwa das Rauchen von Zigaretten sollten in gengend sicherem Abstand von dem Ort der Installation, Reparatur, Verlegung und Entsorgung fern gehalten werden, bei der unter Umstnden zndfhiges Kltemittel an die Umgebung freigesetzt wird. Vor der Ausfhrung von Arbeiten muss der Bereich um die Anlage herum auf gefhrliche Zndquellen oder Brandgefhrdungen untersucht werden. „Rauchen verboten“ Schilder mssen aufgestellt werden.

7) Belfteter Bereich

Der Arbeitsbereich muss sich im Freien befinden oder ausreichend belftet werden, bevor die Anlage geffnet wird oder Heiarbeiten durchgefhrt werden. Fr den gesamten Zeitraum der Arbeitsausfhrung muss ein gewisser Grad an Belftung aufrechterhalten bleiben. Die Belftung muss das freigesetzte Kltemittel sicher verteilen und vorzugsweise nach auen an die Atmosphre befrdern knnen.

8) berprfung der Klteanlage

Sofern Elektrokomponenten auszuwechseln sind, mssen diese fr den jeweiligen Zweck geeignet sein und die richtigen technischen Eigenschaften besitzen. Die Wartungs- und Instandhaltungsvorschriften des Herstellers mssen stets befolgt werden. Im Zweifelsfall bei der technischen Abteilung des Herstellers rckfragen.

Folgende Kontrollen mssen bei Anlagen mit zndfhigen Kltemitteln durchgefhrt werden:

- Die Einfllmenge muss der Gre des Raums entsprechen, in dem die Kltemittel enthaltenden Teile installiert werden;

- Die Belüftungsmaschinen und Auslässe funktionieren einwandfrei und werden nicht blockiert;
- Bei Einsatz eines indirekten Kältemittelkreislaufs muss der sekundäre Kreislauf auf Kältemittelaustritte geprüft werden;
- Die Kennzeichnungen an der Anlage sind deutlich sichtbar und leserlich. Nicht lesbare Kennzeichnungen und Schilder müssen korrigiert werden;
- Kühlrohrleitungen oder Komponenten sind in Positionen installiert, in denen eine Gefährdung durch andere Stoffe, die Kältemittel enthaltende Komponenten angreifen können, unwahrscheinlich ist, es sei denn, die Komponenten bestehen aus Materialien, die stoffbedingt korrosionsresistent sind oder sie werden auf geeignete Weise vor Korrosion geschützt.

9) Prüfung elektrischer Geräte

Zu Reparatur- und Wartungsarbeiten an Elektroteilen gehören auch Sicherheits-Erstprüfungen sowie Arbeitsschritte zur Komponentenprüfung. Liegt ein Defekt vor, der die Sicherheit gefährden könnte, darf solange keine elektrische Versorgung an den Verbraucher angeschlossen werden, bis der Defekt zufriedenstellend behoben wurde. Sollte sich der Defekt nicht unmittelbar beheben lassen, jedoch der Betrieb fortgesetzt werden muss, muss auf eine angemessene Behelfslösung verwendet werden. Diese sollte dem Eigentümer der Anlage mitgeteilt werden, sodass alle Beteiligten informiert sind. Zu den Sicherheits-Erstprüfungen gehören folgende:

- Kondensatoren müssen entladen werden. Dies muss auf sichere Art und Weise geschehen, um eine Funkenbildung zu vermeiden;
- Beim Befüllen, Nachfüllen oder Spülen der Anlage dürfen keine stromführenden Komponenten und Leitungen frei liegen;
- Es muss eine durchgängige Verbindung zur Schutzterde vorhanden sein.

2) Reparaturen an versiegelten Komponenten

1) Bei Reparaturen an versiegelten Komponenten müssen alle elektrischen Versorgungseinrichtungen von der Anlage getrennt werden, an der Arbeiten ausgeführt werden, bevor versiegelte Schutzvorrichtungen o. ä. entfernt werden. Falls eine elektrische Versorgung der Anlage während der Wartungsarbeiten unvermeidlich ist, muss eine permanent arbeitende Leckerkennung an den kritischsten Stellen vorgesehen werden, um vor eventuellen Gefahrensituationen zu warnen.

2) Besondere Aufmerksamkeit sollte den nachfolgenden Punkten geschenkt werden, um sicher zu stellen, dass durch Arbeiten an den elektrischen Komponenten nicht die Umhausung soweit verändert wird, dass der Schutzgrad dadurch eingeschränkt wird. Dazu gehören unter anderem Kabelschäden, eine überhöhte Anzahl an Anschlüssen, Anschlüsse, die nicht nach Herstellerspezifikationen hergestellt werden, Schäden an Versiegelungen, eine falsche Montage von Kabeldurchführungen etc.

Sicher stellen, dass das Gerät fest aufgestellt ist. Sicher stellen, dass weder Versiegelungen noch Dichtstoffe so sehr gealtert sind, dass sie ein Eindringen zündfähiger Atmosphären nicht mehr verhindern und somit ihren Zweck nicht mehr erfüllen können. Ersatzteile müssen den Spezifikationen des Herstellers entsprechen.

HINWEIS: Die Verwendung von Silikondichtmitteln kann die Wirksamkeit mancher Leckdetektorgeräte beeinträchtigen. Eigensichere Komponenten müssen nicht elektrisch getrennt werden, bevor an ihnen gearbeitet wird.

3) Reparaturen an eigensicheren Komponenten

Keine permanenten induktiven oder kapazitiven Verbraucher an die Schaltung anlegen, wenn nicht dafür gesorgt ist, dass Spannung und Strom die zulässigen Grenzen für den Betrieb der Anlage überschreiten. Eigensichere Komponenten sind die einzigen Teile, an denen bei anliegendem Strom und zündfähiger Atmosphäre gearbeitet werden kann. Das Prüfinstrument muss die korrekten Bemessungswerte vorweisen. Komponenten nur durch Teile ersetzen, die vom Hersteller angegeben sind. Fremdteile können in der Atmosphäre einer Leckage zu einer Zündung des Kältemittels führen.

4) Kabelverbindungen

Kabelverbindungen auf Verschleiß, Korrosion, zu hohem Druck, Vibrationen, scharfe Kanten oder andere schädliche Umgebungsauswirkungen überprüfen. Bei der Prüfung sollten auch die Folgen von Alterung oder dauernden Vibrationen aufgrund von Kompressoren oder Lüftern berücksichtigt werden.

5) Erkennung zündfähiger Kältemittel

Unter keinen Umständen dürfen potenzielle Zündquellen dafür benutzt werden, um Kältemittel-Leckagen zu lokalisieren oder zu detektieren. Ein Halogen-Lecksucher (oder jeder andere Detektor, der eine offene Flamme einsetzt) darf nicht benutzt werden.

6) Verfahren der Leckerkennung

Folgende Leckdetektor-Verfahren gelten als zulässig für Anlagen, die zündfähige Kältemittel enthalten.

Elektronische Leckdetektoren müssen für die Erkennung zündfähiger Kältemittel eingesetzt werden, jedoch ist die Empfindlichkeit unter Umständen nicht ausreichend oder sie müssen neu kalibriert werden. (Detektorgeräte müssen in einem Kältemittel freien Bereich kalibriert werden.) Sicher stellen, dass der Detektor keine potenzielle Zündquelle für das verwendete Kältemittel darstellt. Das Leckdetektorgerät muss auf einen Prozentsatz des LFL des Kältemittels eingestellt werden und es muss für das eingesetzte Kältemittel kalibriert werden. Die entsprechende Menge Gas (maximal 25 %) ist zu bestätigen. Flüssige Leckdetektoren eignen sich für die meisten Kältemittel, jedoch müssen chlorhaltige Detektoren vermieden werden, da das Chlor mit dem Kältemittel reagieren und Kupferrohrleitungen angreifen kann. Falls ein Leckverdacht besteht, sollten alle offenen Flammen entfernt bzw. gelöscht werden. Wenn ein Kältemittelleck gefunden wird und Hartlötarbeiten erforderlich sind, muss das gesamte Kältemittel aus der Anlage aufgefangen oder (durch Absperrschieber) in einen Teil der Anlage abgeschieden werden, der von der Leckstelle weit entfernt ist. Sauerstofffreier Stickstoff (OFN) muss anschließend zum Spülen der Anlage vor sowie während der Hartlötarbeiten eingesetzt werden.

7. Entfernen und Evakuierung

Wenn der Kältemittelkreis für Reparaturarbeiten oder für andere Zwecke unterbrochen wird, müssen herkömmliche Methoden verwendet werden. Es sollte dabei jedoch immer eine in der Praxis bewährte Vorgehensweise benutzt werden, da die Zündfähigkeit ein kritischer Punkt ist. Nach folgender Vorgehensweise richten:

- Kältemittel entfernen;
- Den Kreislauf mit einem Edelgas spülen;
- Evakuieren;
- Nochmals mit Edelgas spülen;
- Den Kreislauf durch Trennschneiden oder Hartlöten öffnen.

Das vorhandene Kältemittel in geeigneten Behältern auffangen. Um die Anlage sicher zu machen, mit sauerstofffreiem Stickstoff „spülen“. Der Vorgang muss eventuell mehrmals wiederholt werden. Für diese Aufgabe darf weder Druckluft noch Sauerstoff verwendet werden. Zum Spülen wird der Unterdruck in der Anlage mit sauerstofffreiem Stickstoff aufgehoben und weiter gefüllt, bis der Betriebsdruck erreicht ist. Danach wird der Stoff in die Atmosphäre entlüftet und der Unterdruck wieder hergestellt. Dieser Vorgang wird wiederholt, bis sich kein Kältemittel mehr in der Anlage befindet. Nach dem letzten Stickstoff-Spülgang wird die Anlage bis auf Atmosphärendruck entlüftet, damit die Arbeiten ausgeführt werden können. Dieser Vorgang ist ein absolutes Muss, wenn Hartlötarbeiten an den Rohrleitungen auszuführen sind. Dafür sorgen, dass der Auslauf der Unterdruckpumpe nicht in der Nähe von Zündquellen liegt und dass eine Belüftung verfügbar ist.

8. Vorgehensweise beim Befüllen

Abgesehen von den herkömmlichen Befüllungsarbeiten müssen die folgenden Anweisungen befolgt werden.

- Bei Einsatz der Einfüllgeräte dafür sorgen, dass keine Verunreinigung durch verschiedene Kältemittel stattfindet. Schläuche oder Leitungen müssen so kurz wie möglich sein, um die Menge des darin enthaltenen Kältemittels zu minimieren.
 - Behälter müssen aufrecht gestellt werden.
 - Dafür sorgen, dass die Kälteanlage geerdet wird, bevor das Kältemittel eingefüllt wird.
 - Nach Abschluss der Befüllung muss die Anlage gekennzeichnet werden (sofern nicht schon geschehen).
 - Es muss besonders darauf geachtet werden, dass die Kälteanlage nicht überfüllt wird.
- Vor dem Auffüllen der Anlage sollte diese mittels sauerstofffreiem Stickstoff druckgeprüft werden. Nach Abschluss der Befüllung und vor der Inbetriebnahme muss die Anlage auf Dichtheit geprüft werden. Vor dem Verlassen des Ortes muss ein anschließender Lecktest durchgeführt werden.

9. Außerbetriebnahme

Vor diesen Arbeiten ist es unerlässlich, dass sich der Techniker mit der Anlage und allen zugehörigen Details auskennt. Es gilt als gute Vorgehensweise, sämtliches Kältemittel sicher aufzufangen. Vor Ausführung der Arbeiten muss eine Öl- und Kältemittelprobe genommen werden, falls vor der Wiederverwertung des Kältemittels eine Analyse durchgeführt werden muss. Bevor die Arbeit aufgenommen wird, muss unbedingt elektrischer Strom vorhanden sein.

- a) Die Anlage und ihre Funktionsweise müssen bekannt sein.
- b) Anlage elektrisch trennen.
- c) Vor den Arbeiten folgende Punkte sicher stellen:
 - Mechanische Transportanlage steht zur Verfügung, sofern diese für den Umgang mit den Kältemittelbehältern notwendig werden;
 - Die gesamte persönliche Schutzausrüstung steht zur Verfügung und wird korrekt eingesetzt;
 - Die Rückgewinnung wird von einer fachkundigen Person stets überwacht;
 - Die Anlagen und Behälter für die Rückgewinnung entsprechen den jeweiligen Standards.
- d) Falls möglich, die Kältemittelanlage entlüften.
- e) Sollte der Unterdruck nicht möglich sein, einen Verteiler vorsehen, damit das Kältemittel an verschiedenen Stellen der Anlage entnommen werden kann.
- f) Daran denken, den Behälter auf eine Waage zu stellen, bevor die Rückgewinnung stattfindet.
- g) Die Rückgewinnungsanlage starten und nach Anweisungen des Herstellers einsetzen.
- h) Die Behälter nicht überfüllen. (Nicht mehr als 80 % des flüssigen Füllvolumens).
- i) Den maximalen Betriebsdruck des Behälters nicht überschreiten, auch nicht vorübergehend.
- j) Wenn die Behälter korrekt befüllt wurden und der Vorgang abgeschlossen ist, müssen die Behälter und die Anlage möglichst bald vom Standort entfernt werden. Alle Absperrventile an der Anlage müssen verriegelt sein.
- k) Das aufgefangene Kältemittel darf nicht in eine andere Kälteanlage gefüllt werden, es sei denn, diese wurde gereinigt und überprüft.

10. Kennzeichnung

An der Anlage muss eine Kennzeichnung angebracht werden, die auf die Außerbetriebnahme und Entleerung des Kältemittels hinweist. Die Kennzeichnung muss datiert und unterzeichnet werden. Darauf achten, dass Schilder an der Anlage auf das enthaltene zündfähige Kältemittel aufmerksam machen.

11. Wiederverwertung

Beim Entfernen von Kältemittel aus einer Anlage zwecks Wartung oder Außerbetriebnahme wird es als gute praktische Vorgehensweise empfohlen, sämtliches Kältemittel sicher zu entfernen. Beim Umfüllen von Kältemittel in Behälter ist sicher zu stellen, dass nur für die Wiederverwertung geeignete Behälter eingesetzt

werden. Dafür sorgen, dass genügend Behälter zur Aufnahme der gesamten Anlagenbefüllung zur Verfügung stehen. Alle zu benutzenden Behälter sind für das wiederverwendete Kältemittel gekennzeichnet und beschriftet (z. B. Spezialbehälter für Kältemittelverwertung). Die Behälter müssen mit Überdruckventilen und geeigneten Absperrventilen in gutem Betriebszustand ausgestattet sein. Leere Wiederverwertungsbehälter werden entfernt und, sofern möglich, gekühlt, bevor die Wiederverwertung stattfindet. Die Wiederverwertungsanlage muss sich in einem guten Betriebszustand befinden. Die vollständigen Unterlagen zu der Anlage müssen griffbereit sein und die Anlage muss für die Wiederverwertung zündfähiger Kältemittel geeignet sein. Außerdem müssen mehrere Waagen zur Verfügung stehen und in gutem Zustand sein. Schläuche müssen vollständig mit dichten Kupplungsstücken zur Verfügung stehen und in gutem Zustand sein. Vor der Benutzung der Wiederverwertungsanlage kontrollieren, ob sich diese in gutem Betriebszustand befindet, ordnungsgemäß instandgehalten wurde und ob alle zugehörigen elektrischen Komponenten versiegelt sind, um einen Zündvorgang zu verhindern, falls Kältemittel austritt. Im Zweifelsfall den Hersteller kontaktieren. Das abgefüllte Kältemittel muss im richtigen Auffangbehälter an den Kältemittel-Lieferanten zurückgeliefert werden. Dazu muss ein entsprechendes Altlasten-Transportavis ausgestellt sein. Kältemittel in Auffangbehältern und besonders in Fässern nicht vertauschen. Falls Kompressoren oder Kompressoröle entfernt werden müssen, ist dafür zu sorgen, dass diese bis zu einem geeigneten Maß aus der Anlage entfernt wurden, um sicher zu stellen, dass kein zündfähiges Kältemittel beim Schmierstoff verbleibt. Die Beseitigung muss ausgeführt werden, bevor der Kompressor an den Lieferanten zurückgesendet wird. Nur eine Elektroheizung am Kompressorgehäuse darf eingesetzt werden, um diesen Vorgang zu beschleunigen. Wenn Öl aus der Anlage abgelassen wird, muss dies sicher durchgeführt werden.

Fachkenntnisse des Wartungspersonals

Allgemeines

Eine besondere Schulung ist neben der üblichen Einweisung in die herkömmlichen Reparaturschritte für Kälteanlagen erforderlich, wenn es sich um Anlagen mit zündfähigen Kältemitteln handelt.

In vielen Ländern wird diese Schulung von nationalen Fortbildungsinstituten durchgeführt, die für die Unterweisung nach den einschlägigen nationalen und vom Gesetzgeber vorgeschriebenen Fachstandards akkreditiert sind.

Die erlangte Fachkompetenz muss durch ein Zertifikat nachgewiesen sein.

Schulung

Zum Schulungsumfang sollten folgende Themen gehören:

Informationen über das Explosionspotenzial zündfähiger Kältemittel, um deutlich zu machen, dass zündfähige Stoffe bei unachtsamer Handhabung gefährlich werden können.

Informationen über potenzielle Zündquellen, insbesondere solche, die nicht offensichtlich sind wie etwa Anzünder, Lichtschalter, Staubsauger, Elektroheizungen.

Informationen über die verschiedenen Sicherheitskonzepte:

Unbelüftet – Die Sicherheit einer Anlage hängt nicht von der Belüftung des Gehäuses ab. Das Abschalten des Geräts oder das Öffnen des Gehäuses beeinträchtigt die Sicherheit nicht erheblich. Es ist dennoch möglich, dass sich ausgetretenes Kältemittel im Gehäuse abgesetzt hat und dass beim Öffnen des Gehäuses eine zündfähige Atmosphäre freigesetzt wird.

Belüftetes Gehäuse – Die Sicherheit der Anlage hängt von der Belüftung des Gehäuses ab. Das Abschalten des Geräts oder das Öffnen des Gehäuses beeinträchtigt die Sicherheit erheblich. Auf eine ausreichende Belüftung sollte zuvor besonders geachtet werden.

Belüfteter Raum – Die Sicherheit der Anlage hängt von der Raumbelüftung ab. Das Abschalten des Geräts oder das Öffnen des Gehäuses beeinträchtigt die Sicherheit nicht erheblich. Die Belüftung des Raums darf während der Reparaturarbeiten nicht abgeschaltet werden.

Informationen über das Konzept versiegelter Komponenten und Gehäuse gemäß IEC 60079-15:2010.

Informationen über die richtigen Arbeitsmethoden:

a) Inbetriebnahme

- Sicher stellen, dass der Werkstattbereich für die Kältemittelfüllung ausreicht oder dass die Belüftungsleitung korrekt montiert wurde.
- Die Leitungen anschließen und einen Lecktest durchführen, bevor das Kältemittel eingefüllt wird.
- Vor der Inbetriebnahme die Sicherheitsausrüstung prüfen.

b) Wartung

- Tragbare Geräte müssen im Freien oder in einer Werkstatt repariert werden, die für die Reparatur von Anlagen mit zündfähigen Kältemitteln besonders ausgestattet ist.
- Am Ort der Reparatur auf eine ausreichende Belüftung achten.
- Daran denken, dass eine Störung der Anlage durch Kältemittelverlust verursacht sein kann und dass ein Kältemittelleck möglich ist.
- Kondensatoren so entladen, dass sie keine Funken erzeugen. Bei der Standardmethode für das Entladen an den Kondensatoranschlüssen entstehen in der Regel Funken.
- Versiegelte Gehäuse müssen präzise wieder zusammengebaut werden. Verschlissene Dichtungen austauschen.
- Vor der Inbetriebnahme die Sicherheitsausrüstung prüfen.

c) Reparatur

- Tragbare Geräte müssen im Freien oder in einer Werkstatt repariert werden, die für die Reparatur von Anlagen mit zündfähigen Kältemitteln besonders ausgestattet ist.
- Am Ort der Reparatur auf eine ausreichende Belüftung achten.
- Daran denken, dass eine Störung der Anlage durch Kältemittelverlust verursacht sein kann und dass ein Kältemittelleck möglich ist.
- Kondensatoren so entladen, dass sie keine Funken erzeugen.
- Falls Hartlöten notwendig ist, müssen die folgenden Arbeitsschritte in der richtigen Reihenfolge ausgeführt werden:
 - Kältemittel entfernen. Falls eine Wiederverwertung nicht gesetzlich vorgeschrieben ist, das Kältemittel ins Freie ablassen. Dafür sorgen, dass das abgelassene Kältemittel keine Gefahren verursacht. Im Zweifelsfall sollte eine Person den Auslauf überwachen. Besonders darauf achten, dass abgelassenes Kältemittel nicht wieder in das Gebäude zurückströmt.
 - Den Kältemittelkreislauf entleeren.
 - Den Kältemittelkreislauf 5 Minuten lang mit Stickstoff spülen.
 - Danach erneut entleeren.
 - Auszutauschende Teile ausschneiden, ohne Flamme.
 - Die Hartlötstelle während des Lötvorgangs mit Stickstoff spülen.
 - Vor dem Einfüllen des Kältemittels einen Lecktest durchführen.
- Versiegelte Gehäuse müssen präzise wieder zusammengebaut werden. Verschlissene Dichtungen austauschen.
- Vor der Inbetriebnahme die Sicherheitsausrüstung prüfen.

d) Außerbetriebnahme

- Wenn die Sicherheit bei der Außerbetriebnahme der Anlage beeinträchtigt ist, muss die Kältemittelfüllung vor der Außerbetriebnahme entfernt werden.
- Für ausreichende Belüftung am Anlagenstandort sorgen.
- Daran denken, dass eine Störung der Anlage durch Kältemittelverlust verursacht sein kann und dass ein Kältemittelleck möglich ist.
- Kondensatoren so entladen, dass sie keine Funken erzeugen.
- Kältemittel entfernen. Falls eine Wiederverwertung nicht gesetzlich vorgeschrieben ist, das Kältemittel ins Freie ablassen. Dafür sorgen, dass das abgelassene Kältemittel keine Gefahren verursacht. Im Zweifelsfall sollte eine Person den Auslauf überwachen. Besonders darauf achten, dass abgelassenes

Kältemittel nicht wieder in das Gebäude zurückströmt.

- Den Kältemittelkreislauf entleeren.
- Den Kältemittelkreislauf 5 Minuten lang mit Stickstoff spülen.
- Danach erneut entleeren.
- Bis zum Atmosphärendruck mit Stickstoff befüllen.
- An der Anlage ein Schild anbringen, das auf das entfernte Kältemittel hinweist.

e) Entsorgung

- Am Arbeitsort auf eine ausreichende Belüftung achten.
- Kältemittel entfernen. Falls eine Wiederverwertung nicht gesetzlich vorgeschrieben ist, das Kältemittel ins Freie ablassen. Dafür sorgen, dass das abgelassene Kältemittel keine Gefahren verursacht. Im Zweifelsfall sollte eine Person den Auslauf überwachen. Besonders darauf achten, dass abgelassenes Kältemittel nicht wieder in das Gebäude zurückströmt.
- Den Kältemittelkreislauf entleeren.
- Den Kältemittelkreislauf 5 Minuten lang mit Stickstoff spülen.
- Danach erneut entleeren.
- Den Kompressor herausschneiden und das Öl ablassen.

Transport, Kennzeichnung und Aufbewahrung von Anlagen, die zündfähige Kältemittel verwenden

Transport von Anlagen, die zündfähiges Kältemittel enthalten

Es wird darauf aufmerksam gemacht, dass zusätzliche Transportvorschriften für Anlagen mit zündfähigen Gasen vorhanden sein können. Die Höchstanzahl an Anlagenteilen oder die Konfiguration der Anlage, die zusammen transportiert werden dürfen, wird von den jeweils geltenden Transportvorschriften bestimmt.

Kennzeichnung der Anlage mittels Schildern

Schilder für ähnliche Anlagen, die generell in einem Arbeitsbereich eingesetzt werden, werden von örtlichen Vorschriften geregelt und legen die Mindestanforderungen an die Sicherheit und/oder an das Vorsehen von Warnschildern an einem Arbeitsort fest.

Alle vorgeschriebenen Schilder müssen instandgehalten werden. Arbeitgeber müssen dafür sorgen, dass die Mitarbeiter geeignete und ausreichende Anweisungen und Unterweisungen über die Bedeutung der jeweiligen Sicherheitsschilder und über die Maßnahmen erhalten, die in Verbindung mit diesen Schildern zu ergreifen sind.

Die Wirkung der Schilder darf nicht durch ein Übermaß an Beschilderungen beeinträchtigt werden, die gemeinsam verwendet werden.

Alle verwendeten Piktogramme sollten so einfach wie möglich gehalten werden nur die wichtigsten Angaben enthalten.

Entsorgung von Anlagen mit zündfähigen Kältemitteln

Dazu wird auf die nationalen Vorschriften verwiesen.

Aufbewahrung von Anlagen/Geräten

Die Anlagen sollten den Herstelleranweisungen entsprechend aufbewahrt werden.

Aufbewahrung verpackter (nicht verkaufter) Anlagen

Der Schutz für verpackte Ware beim Einlagern sollte so konstruiert sein, dass mechanische Schäden an der Anlage in der Verpackung nicht zu einem Austreten von Kältemittel führen.

Die Höchstanzahl der Anlagen, die zusammen eingelagert werden dürfen, ist in den örtlichen Vorschriften vorgeschrieben.

Merci beaucoup d'avoir acheté nos produits. Afin de garantir un bon fonctionnement, merci de lire attentivement ce manuel et les instructions avant l'utilisation.

INSTRUCTIONS IMPORTANTES:

Lors de l'utilisation d'appareils électriques, des précautions élémentaires doivent toujours être prises afin de réduire le risque d'incendie, d'électrocution, de brûlures et autres blessures.

1. Lisez et conservez ces instructions. Attention: les images incluses dans le manuel d'instructions servent de référence seulement.
2. Cet appareil peut être utilisé par des enfants âgés de 8 ans et plus et les personnes ayant des capacités physiques, sensorielles ou mentales, ou un manque d'expérience et de connaissances si elles ont été formées et encadrées pour l'utilisation de cet appareil en toute sécurité et de comprendre la risques impliqués.
3. Les enfants ne doivent pas jouer avec l'appareil.
4. Le nettoyage et la maintenance ne doivent pas être effectués par des enfants sans surveillance.
5. Si le câble d'alimentation est endommagé, il doit être remplacé par le fabricant, son service après vente ou des personnes de qualification similaire afin d'éviter un danger.
6. Utiliser l'appareil uniquement en intérieur.
7. N'utilisez pas l'appareil dans une zone près d'une source inflammable ; où de l'huile est susceptible d'être éclaboussée ; où il serait exposé à la lumière directe du soleil ; où il risque d'être éclaboussé par de l'eau ; à proximité d'une baignoire, d'une laverie, d'une douche ou d'une piscine.

8. N'insérez jamais vos doigts ou des bâtons dans la sortie d'air. Prévenez particulièrement les enfants de ces dangers.
9. Gardez l'unité en position verticale pendant le transport et le stockage, car le compresseur doit rester droit.
10. Avant de nettoyer ou de déplacer l'appareil, éteignez et débranchez toujours le câble d'alimentation.
11. Pour éviter tout risque d'incendie, ne couvrez pas l'appareil.
12. Toutes les prises du climatiseur doivent être conformes aux exigences de sécurité électriques locales. Si nécessaire, veuillez vérifier la conformité de ces exigences.
13. L'appareil doit être installé conformément aux réglementations de câblage nationales.
14. Description du type et du calibre des fusibles : T, 250 V CA, 3,15 A.
15. Contactez un technicien autorisé pour la réparation ou l'entretien de cet appareil.
16. Ne tirez pas, ne déformez pas, ne modifiez pas le câble d'alimentation et ne l'immergez pas dans l'eau. Tirer ou mal utiliser le câble d'alimentation peut endommager l'appareil et provoquer un choc électrique.
17. La conformité aux réglementations nationales en matière de gaz doit être observée.
18. L'entretien ne doit être effectué que selon les recommandations du fabricant de l'appareil. L'entretien et les réparations nécessitant l'assistance d'un autre personnel qualifié doivent être effectués sous la supervision de la personne compétente pour l'utilisation de réfrigérants inflammables.
19. N'éteignez pas l'appareil en tirant sur le câble d'alimentation car cela pourrait provoquer un choc électrique ou un incendie en raison de la chaleur générée.
20. Débranchez l'appareil si des sons étranges, une odeur ou de la fumée s'en échappent.

21. Branchez toujours l'appareil dans une prise de courant reliée à la terre.
22. En cas de dommage, veuillez éteindre l'interrupteur, débranchez le câble d'alimentation électrique et contactez un centre agréé pour faire réparer l'appareil.
23. N'utilisez pas de moyens pour accélérer le processus de dégivrage ou pour nettoyer l'appareil, autres que ceux recommandés par le fabricant.
24. L'appareil doit être rangé dans une pièce où il n'y a pas de sources d'inflammation à risque (comme par exemple, une flamme nue, un appareil à gaz en fonctionnement ou un appareil de chauffage électrique en marche).
25. Ne percez pas et ne brûlez pas l'appareil.
26. Sachez que les réfrigérants peuvent ne pas émettre d'odeur.
27. Cet appareil contient du gaz réfrigérant R290. R290 est un gaz réfrigérant conforme aux directives européennes sur l'environnement. Ne percez aucune partie du circuit du réfrigérant.
28. Si l'appareil est installé, utilisé ou stocké dans une zone non ventilée, la pièce doit être conçue de manière à prévenir l'accumulation de fuites de réfrigérant pouvant entraîner un risque d'incendie ou d'explosion dû à l'inflammation du réfrigérant provoquée par des radiateurs électriques, des cuisinières ou d'autres sources d'inflammation.
29. L'appareil doit être rangé de manière à éviter les pannes mécaniques.
30. Les personnes qui travaillent ou interviennent sur le circuit frigorifique doivent avoir la certification appropriée délivrée par un organisme accrédité garantissant la compétence en matière de manipulation des frigorigènes conformément à une évaluation spécifique reconnue par les associations du secteur.
31. Les réparations doivent être effectuées conformément aux recommandations de l'entreprise de fabrication. L'entretien et les réparations qui nécessitent l'assistance

d'un autre personnel qualifié doivent être effectués sous la supervision d'une personne experte dans l'utilisation de réfrigérants inflammables.

32. Concernant les instructions de réparation des appareils contenant du R290, veuillez vous reporter aux paragraphes ci-dessous.
33. Laissez toujours l'appareil se reposer pendant au moins 2 heures après l'avoir déplacé d'un endroit à un autre.



Avertissement : Risque d'incendie / Matériaux inflammables.



Lisez le manuel d'instructions.



Manuel de l'opérateur ; mode d'emploi.



Indications sur les réparations ; lisez le manuel technique.

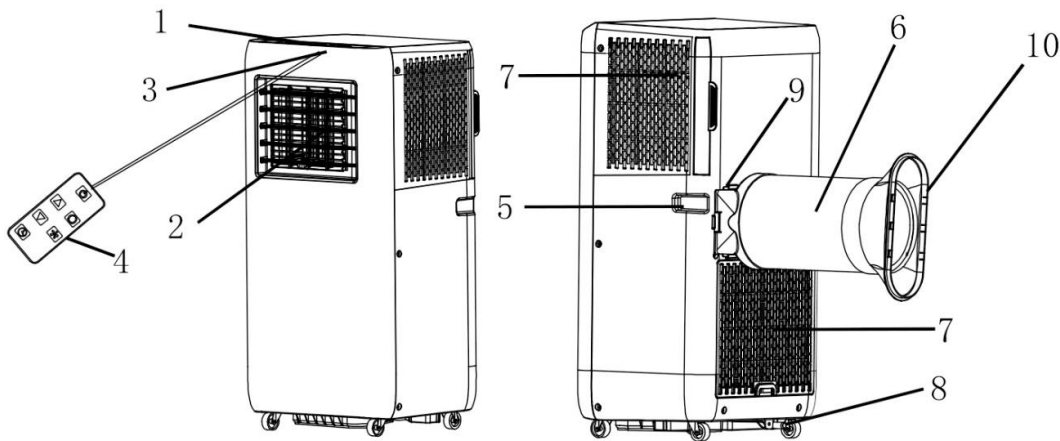
Avertissement : Maintenez les orifices de ventilation dégagés de tout obstacle.

Avertissement : L'appareil doit être rangé dans une zone bien ventilée où la taille de la pièce correspond à celle spécifiée pour le fonctionnement.

La distance requise autour de l'appareil doit être d'au moins 30 cm.

L'appareil doit être installé, utilisé et rangé dans une pièce dont la surface au sol est supérieure à 4 m².

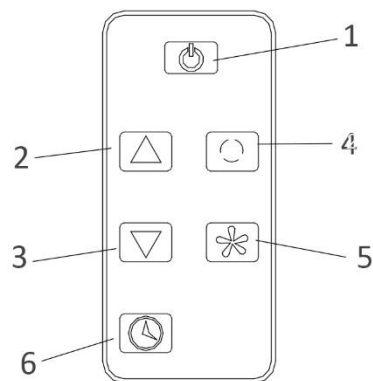
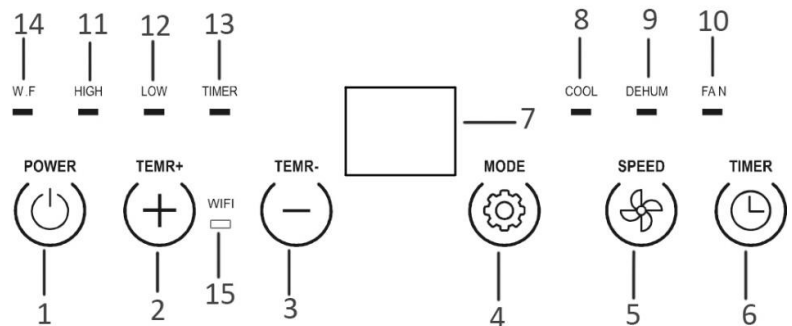
DESCRIPTION DES PIÈCES



- 1. Panneau de contrôle
- 2. Sortie d'air et persiennes
- 3. Récepteur de signal
- 4. Télécommande
- 5. Poignée
- 6. Tuyau d'évacuation d'air
- 7. Entrée d'air et filtre à air
- 8. Orifice de vidange (muni d'un bouchon)
- 9. Connecteur du tuyau
- 10. Adaptateur de fenêtre

Panneau de contrôle

- 1. Bouton marche/arrêt
- 2. Bouton d'augmentation de la température / minuteur
- 3. Bouton de diminution de la température / minuteur
- 4. Bouton de mode
- 5. Bouton de vitesse du ventilateur
- 6. Bouton du minuteur
- 7. Affichage numérique
- 8. Témoin lumineux du mode de refroidissement
- 9. Témoin lumineux du mode déshumidification
- 10. Témoin lumineux du mode ventilation
- 11. Témoin lumineux de forte vitesse
- 12. Témoin lumineux de faible vitesse
- 13. Témoin lumineux de la minuterie
- 14. Témoin lumineux du réservoir d'eau plein
- 15. Témoin lumineux Wi-Fi

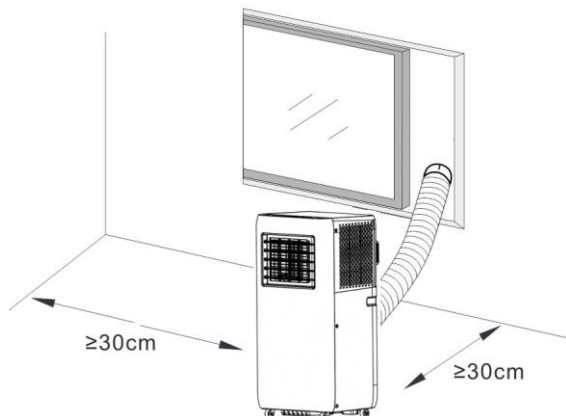


Cet appareil est pourvu d'une télécommande. Une pile CR2025 est fournie dans la télécommande. Avant de commencer à utiliser la télécommande, enlevez la protection plastique de la pile. Si vous souhaitez changer la pile, veuillez vous reporter aux instructions situées à l'arrière de la télécommande. Avant toute période

d'inutilisation prolongée, retirez la pile de la télécommande. Conservez les piles cellulaires hors de portée des enfants.

INSTALLATION

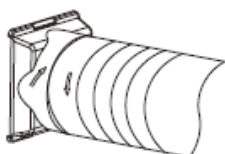
- L'unité doit être installée sur une surface plane où la sortie d'air ne serait pas bloquée. La distance requise autour de l'unité doit être d'au moins 30 cm.



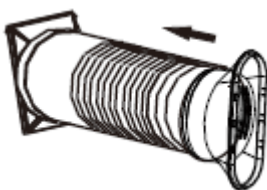
- L'unité ne doit pas être installée dans une laverie.
- Rallongez le tuyau d'évacuation en tirant sur les deux extrémités du tuyau.



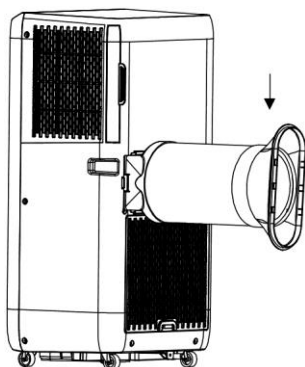
- Vissez le tuyau d'évacuation dans le connecteur de tuyau.



- Vissez l'autre extrémité du tuyau d'air dans l'adaptateur de fenêtre.



- Insérez le connecteur de tuyau dans les fixations situées à l'arrière de l'appareil.



FONCTIONNEMENT

*Laissez toujours l'appareil se reposer pendant au moins 2 heures après l'avoir déplacé d'un endroit à un autre.

Avant l'utilisation, vérifiez si le tuyau d'évacuation a été correctement monté. Branchez l'appareil. Les volets peuvent être réglés manuellement.

1. Bouton marche/arrêt

Appuyez sur le bouton d'alimentation pour mettre l'appareil en marche. L'appareil commence à fonctionner.

Appuyez à nouveau sur le bouton, l'appareil s'éteindra.

2. Bouton d'augmentation de la température / minuteur et bouton de diminution de la température / minuteur

Appuyez sur le bouton « + » / « - » sur le panneau de commande ou « ▲ » / « ▼ » sur la télécommande pour régler la température ambiante souhaitée de 15 °C à 31 °C. Les boutons peuvent également être utilisés pour régler le minuteur durant le réglage. La valeur sera augmentée / diminuée de 1 (°C / heure) à chaque pression.

3. Bouton de vitesse du ventilateur

Appuyez sur le bouton de vitesse du ventilateur pour changer la vitesse du ventilateur entre faible et forte. Le témoin lumineux correspondant « LOW » / « HIGH » (FAIBLE / FORTE) s'allumera.

4. Bouton « Mode »

Appuyez sur le bouton mode pour choisir le mode de fonctionnement que vous souhaitez : COOL (rafraîchissement), DEHUM (déshumidification) et FAN (ventilation). Le témoin lumineux correspondant s'allumera lorsque le mode spécifique est sélectionné.

- Mode rafraîchissement

Le compresseur se met en marche lorsque la température est supérieure à la température de consigne.

Lorsque la température ambiante est inférieure à la température de consigne, le compresseur s'arrête et le ventilateur fonctionne à la vitesse définie initialement.

Remarque : Lorsque le compresseur fonctionne, l'unité vibre légèrement. Ceci est normal et sans danger.

- Mode déshumidification

En mode déshumidification, le ventilateur tourne à basse vitesse. La température et la vitesse du ventilateur ne peuvent pas être ajustées.

Le compresseur s'arrête après 8 minutes de fonctionnement, puis se remet à fonctionner après 6 minutes ; et ainsi de suite.

- Mode ventilation

Lorsque le ventilateur fonctionne à la vitesse de consigne, le compresseur ne fonctionne pas.

Le réglage de la température en mode ventilation n'est pas efficace.

5. Bouton du minuteur

Réglage de la mise en marche automatique

- Lorsque l'appareil est éteint, appuyez sur le bouton du minuteur, le témoin lumineux du minuteur clignote.
- Appuyez sur le bouton d'augmentation ou de diminution du minuteur pour sélectionner l'heure de la mise en marche automatique entre 1 et 24 heures. Le témoin lumineux de la minuterie clignote pendant quelques seconds, puis reste allumé ; l'écran numérique est éteint. Le réglage de la minuterie est confirmé.
- Vous pouvez choisir la vitesse ou le mode du ventilateur en même temps.
- L'appareil démarre automatiquement une fois que le temps pré-réglé est écoulé.

Réglage de l'arrêt automatique

- Lorsque l'appareil est en marche, appuyez sur le bouton du minuteur, le témoin lumineux du minuteur clignote.
- Appuyez sur le bouton d'augmentation ou de diminution du minuteur pour sélectionner l'heure

d'arrêt automatique entre 1 et 24 heures. Le témoin lumineux clignote pendant quelques secondes, puis reste allumé. Le réglage de la minuterie est confirmé.

- L'appareil s'arrête automatiquement une fois que le temps pré-réglé est écoulé.

Pour annuler la minuterie, appuyez sur le bouton de la minuterie, lorsque le témoin lumineux de la minuterie clignote, appuyez à nouveau sur le bouton de la minuterie. Le témoin lumineux de la minuterie s'éteint alors.

REMARQUE :

- Le dispositif de protection peut se déclencher et arrêter l'appareil dans les conditions listées ci-dessous.

Rafraîchissement	La température ambiante est supérieure à 43 °C.
	La température ambiante est inférieure à 15 °C.
Déshumidification	La température ambiante est inférieure à 15 °C.

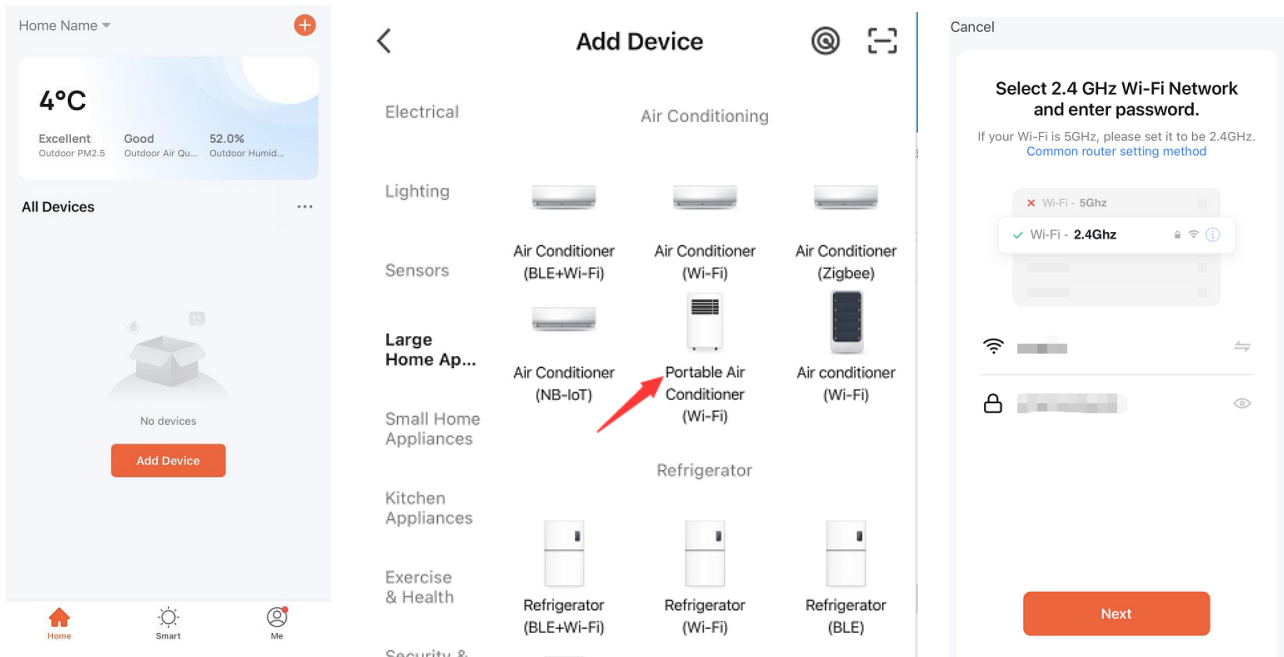
- Si l'appareil fonctionne en mode rafraîchissement ou en mode déshumidification avec porte ou fenêtre ouverte pendant une longue période lorsque l'humidité relative est supérieure à 80 %, de la rosée peut s'écouler de la sortie d'air.

Vidange de l'eau

- 1) Rappel spécial : il y a un recyclage de l'eau condensée caché dans cet appareil. L'eau condensée est en partie recyclée entre le condenseur et le bac à eau. Lorsque le niveau d'eau monte au niveau supérieur, le code « E4 » de remplissage s'affiche sur l'écran numérique pour rappeler qu'il faut vidanger l'eau.
- 2) Veuillez couper l'alimentation électrique, déplacer l'appareil à un endroit adapté, enlever le bouchon situé dans l'orifice de vidange pour vidanger complètement l'eau. Si les conditions le permettent, vous pouvez également connecter le tuyau de vidange à l'orifice de vidange pour vidanger l'eau.
- 3) Après la vidange, remettez le bouchon dans l'orifice de vidange, sinon l'appareil risque de fuir et de rendre votre pièce humide.

Guide de connexion WI-FI (le guide pour l'application n'est peut-être pas mis à jour régulièrement en raison de la mise à niveau de la version du logiciel ou pour d'autres raisons. Ces instructions sont uniquement utilisées comme un guide.) :

1. Recherchez « Tuya smart » dans l'App Store (pour iOS) ou Google play (pour Android), téléchargez l'application « TuyaSmart » sur votre téléphone. Inscrivez-vous ou connectez-vous à votre compte sur Tuya.
2. Assurez-vous que votre appareil est en veille. Appuyez longtemps sur le bouton mode jusqu'à ce que vous entendiez un bip. Le témoin lumineux Wi-Fi clignotera rapidement.
3. Appuyez sur le « + » en haut à droite ou sur le bouton « Add device » (Ajouter un appareil) sur la page d'accueil de Tuya pour ajouter votre appareil.
4. Trouvez la catégorie « Climatiseur portable ». Appuyez sur son icône et vous recevrez l'invite qui vous demande d'utiliser le réseau WI-FI 2,4 GHz. Notez que le Wi-Fi 5 GHz n'est pas pris en charge par cette application.
5. Entrez votre mot de passe WI-FI et connectez-vous au WI-FI. Confirmez que le témoin lumineux WIFI clignote rapidement, appuyez sur « Next » (Suivant), l'application scanne et ajoute l'appareil.



6. Lorsque l'appareil est ajouté avec succès, le témoin lumineux Wi-Fi reste toujours allumé.
7. Maintenant, vous pouvez utiliser l'application pour faire fonctionner l'appareil.

Remarque :

- Appuyez sur le bouton mode dans l'application, vous aurez « Cool, Dry and Fan » (Froid, sec et ventilateur). Le mode sec est le même que le mode déshumidification.
- Touchez l'écran de la température pour basculer entre Fahrenheit et Celsius.
- Lorsque l'environnement réseau de l'appareil a été modifié, il doit être reconfiguré.
- Vous pouvez activer/désactiver la fonction Wi-Fi en appuyant longuement sur le bouton mode du panneau de commande lorsque l'appareil est en veille. Lorsque le témoin lumineux du Wi-Fi clignote rapidement, l'appareil attend d'être apparié. Lorsque le témoin lumineux du Wi-Fi reste allumé, le Wi-Fi a été connecté. Lorsque le témoin lumineux du Wi-Fi s'éteint, le Wi-Fi est désactivé.

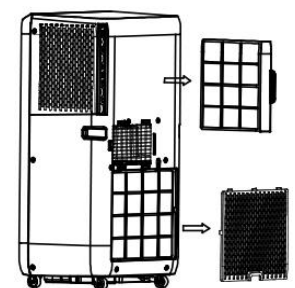
NETTOYAGE ET ENTRETIEN

- Avant le nettoyage, veillez à débrancher l'appareil de la prise d'alimentation électrique.
- N'utilisez pas d'essence ou d'autres produits chimiques pour nettoyer l'appareil.
- Ne lavez pas l'appareil directement.
- Si l'appareil est endommagé, veuillez contacter le revendeur ou le centre de réparation.

Filtre à air

Si les filtres à air sont bouchés par de la poussière ou des saletés, ils doivent être nettoyés toutes les deux semaines.

- Retirez les filtres à air en tirant sur la languette.
- Nettoyez le filtre à air avec un détergent neutre dans de l'eau tiède (< 40 °C) et faites-le sécher à l'ombre.
- Installez de nouveau le filtre à air.



Nettoyage de la surface

Commencez par nettoyer la surface avec un détergent neutre et un chiffon humide, puis essuyez-la avec un chiffon sec.

GUIDE DE DÉPANNAGE

Les cas suivants peuvent ne pas toujours être un dysfonctionnement, veuillez vérifier les suggestions ci-dessous avant de demander un entretien.

Problème	Analyse
Ne fonctionne pas	<ul style="list-style-type: none">• Si le dispositif de protection se déclenche ou le fusible est grillé.• Veuillez attendre 3 minutes et recommencer, le dispositif de protection peut empêcher l'unité de fonctionner.• Si les piles de la télécommande sont épuisées.• Si la prise n'est pas correctement branchée.
Fonctionne pendant une courte période seulement	<ul style="list-style-type: none">• Si la température réglée est proche de la température ambiante, vous pouvez abaisser la température définie.• La sortie d'air est bloquée par un obstacle. Enlevez l'obstacle.
Fuite d'eau pendant le déplacement	<ul style="list-style-type: none">• Vidangez le condensat avant de déplacer l'appareil.• Pour éviter les fuites d'eau, veuillez placer l'unité sur un sol plat.
Ne fonctionne pas et indicateur de remplissage d'eau indique « E4 »	<ul style="list-style-type: none">• Retirez le bouchon en caoutchouc de vidange de l'eau.• S'il est souvent dans cet état, veuillez contacter un service technique qualifié.
L'appareil s'arrête automatiquement	<ul style="list-style-type: none">• Temporisation arrêtée• Température de consigne atteinte

DONNÉES TECHNIQUES

Données ci-dessous pour votre référence

Modèle	PAC-127277
Tension nominale	220-240V
Fréquence nominale	50Hz
Entrée nominale	750W
Courant nominal	3.4A
Capacité de refroidissement	7000BTU
Élimination de l'humidité (Faible / Forte)	0.8
Flux d'air	270m ³ /h
Puissance d'émission max.	18,2 dBm
Gamme de fréquences	2412-2472 MHz

Nous, Emerio, déclarons sous notre seule responsabilité que le produit : PAC-127277 est conforme aux exigences essentielles et aux autres exigences pertinentes de la directive RED (2014/53/UE)

La déclaration CE complète est disponible à l'adresse suivante : www.emerio.eu

INFORMATIONS ERP

	Valeur
Marque déposée	PAC-127277
Identification du modèle	64dB(A)
Puissance sonore (refroidissement)	R290
Nom du fluide frigorigène	0.755
Puissance absorbée nominale pour le refroidissement (kW)	2.7
Taux d'efficacité énergétique nominal	3
PRP (kg CO ₂ eq)	A
Classe d'efficacité énergétique	-
Consommation d'énergie pour les appareils à double conduit (kWh / h)	0.755
Consommation d'énergie pour les appareils à conduit unique	-

(kWh / h)			
Consommation en mode thermostat désactivé (W)	0.85		
Consommation électrique en mode veille (W)	7000BTU		
Capacité de refroidissement	PAC-127277		
<p>Les fuites de réfrigérants contribuent au changement climatique. Les réfrigérants ayant un potentiel de réchauffement planétaire (PRP) inférieur contribueraient moins au réchauffement planétaire qu'un réfrigérant présentant un PRG supérieur, en cas de fuite dans l'atmosphère. Cet appareil contient un fluide frigorigène avec un PRP égal à 3. Cela signifie que si 1 kg de ce fluide frigorigène était rejeté dans l'atmosphère, l'impact sur le réchauffement planétaire serait 3 fois supérieur à 1 kg de CO2 sur une période de 100 ans. N'essayez jamais d'interférer vous-même avec le circuit de fluide frigorigène ni de le démonter vous-même et faites toujours appel à un professionnel.</p> <p>#Consommation d'énergie 0.755 kWh pour le modèle PAC-127277 en 60 minutes d'utilisation dans des conditions d'essai normalisées. La consommation d'énergie réelle dépend de la manière dont l'appareil est utilisé et de son emplacement.</p> <p>Pour toute information complémentaire, veuillez contacter :</p>			
<p>Emerio B.V. Zomervaart 1A 2033 DA Haarlem The Netherlands</p>	<p>Customer service: T: +31 (0) 23 3034369 E: info@emerio.eu</p>	<p>Kundeninformation: T: +49 (0) 3222 1097 600 E: info.de@emerio.eu</p>	<p>Klantenservice: T: +31 (0) 23 3034369 E: info.nl@emerio.eu</p>

GARANTIE ET SERVICE APRÈS-VENTE

Nos appareils sont soumis à un contrôle de qualité strict avant d'être livrés. Si l'appareil a toutefois été endommagé lors de la proboseion ou du transport en dépit des soins que nous lui donnons, retournez l'appareil au vendeur. En plus des droits juridiques, le client a la possibilité dans les limites de la garantie de déposer les réclamations suivantes:

Nous offrons une garantie de 2 ans pour l'appareil acheté à partir de la date de vente. Les défauts dus à une utilisation non conforme de l'appareil et les dommages dus à une intervention ou réparation faite par une tierce personne ou dus à l'installation de pièces qui ne sont pas d'origine ne sont pas couverts par cette garantie. Conservez toujours votre reçu, car sans celui-ci vous ne pourrez réclamer aucune sorte de garantie. Les dommages causés par le non respect des instructions de ce manuel rendront la garantie caduque, Nous décline toute responsabilité en cas de dommages indirects. Nous décline toute responsabilité en cas de dégâts matériels ou de dommages corporels causés par une utilisation inappropriée ou si les instructions de sécurité n'ont pas été convenablement observées. Si les accessoires sont endommagés, cela ne signifie pas que toute la machine sera remplacée gratuitement. Dans de tels cas, veuillez contacter notre assistance. Des pièces brisées en verre ou en plastique sont toujours sujettes à des frais. Les défauts des consommables ou des pièces susceptibles de s'user, ainsi que le nettoyage, l'entretien ou la réparation desdites pièces ne sont pas couverts par la garantie et doivent donc être payés.

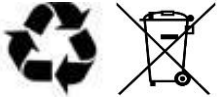
APPAREIL RESPECTUEUX DE L'ENVIRONNEMENT



Recyclage – Directive européenne 2012/19/EU

Ce symbole indique que le produit ne doit pas être jeté avec les ordures ménagères. Pour limiter les risques pour l'environnement et la santé entraînés par le rejet non contrôlé des déchets, recyclez ce dernier pour promouvoir une réutilisation responsable de ses matériaux. Pour recycler votre produit, utilisez les réseaux de collecte de votre région ou prenez contact avec le

revendeur du produit. Ce dernier pourra vous aider à le recycler.



LA BATTERIE DOIT ÊTRE RECYCLÉE OU MISE AU REBUT D'UNE MANIÈRE APPROPRIÉE. NE PAS OUVRIR. NE PAS JETER DANS UN FEU ET NE PAS COURT-CIRCUITER.

Emerio B.V.
Zomervaart 1A
2033 DA Haarlem
The Netherlands

Customer service:
T: +31 (0) 23 3034369
E: info@emerio.eu

Kundeninformation:
T: +49 (0) 3222 1097 600
E: info.de@emerio.eu

Klantenservice:
T: +31 (0) 23 3034369
E: info.nl@emerio.eu

INSTRUCTIONS POUR LA RÉPARATION DES APPAREILS CONTENANT DU R290

1) Réparation

1) Vérifications de la zone

Avant de commencer à travailler sur des systèmes contenant des frigorigènes inflammables, des contrôles de sécurité sont nécessaires pour réduire au minimum le risque d'inflammation. Pour réparer le système de réfrigération, les précautions suivantes doivent être respectées avant de procéder à des travaux sur le système.

2) Procédure de travail

Les travaux doivent être effectués selon une procédure contrôlée, de manière à minimiser le risque de présence de gaz ou de vapeurs inflammables pendant l'exécution des travaux.

3) Zone de travail général

Tout le personnel de maintenance et les autres personnes travaillant dans la zone concernée doivent être informés de la nature des travaux effectués. Les travaux dans des espaces confinés doivent être évités. La zone autour de l'espace de travail doit être divisée. Assurez-vous que les conditions dans la zone ont été sécurisées par le contrôle des matériaux inflammables.

4) Vérification de la présence de réfrigérant

La zone doit être vérifiée avec un détecteur de réfrigérant approprié avant et pendant le travail, afin de s'assurer que le technicien est conscient des atmosphères potentiellement inflammables. Assurez-vous que l'équipement de détection de fuite utilisé est adapté aux fluides frigorigènes inflammables, c'est-à-dire qu'il ne produit pas d'étincelles, qu'il est correctement scellé ou qu'il est intrinsèquement sûr.

5) Présence d'extincteur

Si des travaux à chaud doivent être effectués sur l'équipement de réfrigération ou sur toute pièce associée, un équipement d'extinction d'incendie approprié doit être à disposition. Installez un extincteur à poudre sèche ou à CO₂ à proximité de la zone de chargement.

6) Aucune source d'inflammation

Aucune personne effectuant des travaux en relation avec un système de réfrigération impliquant l'exposition de tuyauteries contenant ou ayant contenu un réfrigérant inflammable ne doit utiliser une source d'inflammation susceptible de provoquer un incendie ou une explosion. Toutes les sources d'inflammation possibles, y compris une cigarette allumée, doivent être suffisamment éloignées du lieu d'installation, de réparation, de retrait et d'élimination, pendant lesquelles un réfrigérant inflammable peut éventuellement être rejeté dans l'espace environnant. Avant le début des travaux, la zone autour de l'équipement doit être inspectée pour s'assurer qu'il n'y a pas de danger d'inflammabilité ou de risque d'inflammation. Des panneaux «Interdiction de fumer» doivent être affichés.

7) Zone ventilée

Assurez-vous que la zone est à l'air libre ou qu'elle est correctement ventilée avant de pénétrer dans le système ou d'effectuer des travaux à chaud. Une certaine ventilation doit être maintenue pendant la durée des travaux. La ventilation doit disperser en toute sécurité tout fluide réfrigérant libéré et de préférence l'expulser vers l'extérieur dans l'atmosphère.

8) Contrôles de l'équipement de réfrigération

Lorsque des composants électriques sont remplacés, ils doivent être adaptés à l'usage prévu et aux spécifications appropriées. Les directives du fabricant en matière de maintenance et d'entretien doivent être suivies à tout moment. En cas de doute, consultez le service technique du fabricant.

Les contrôles suivants doivent être appliqués aux installations utilisant des réfrigérants inflammables :

- La taille de la charge est conforme à la taille de la pièce dans laquelle les pièces contenant le réfrigérant sont installées ;
- Les machines de ventilation et les sorties d'air fonctionnent correctement et ne sont pas obstrués;
- Si un circuit de réfrigération indirect est utilisé, le circuit secondaire doit être vérifié pour la présence

de réfrigérant ;

- Le marquage sur l'équipement continue d'être visible et lisible. Les marques et signes illisibles doivent être corrigés ;
- Les tuyaux ou composants de réfrigération sont installés dans une position où ils ne risquent pas d'être exposés à une substance susceptible de corroder les composants contenant du fluide frigorigène, à moins que les composants ne soient construits avec des matériaux présentant une résistance inhérente à la corrosion ou une protection adéquate contre la corrosion.

9) Contrôles des appareils électriques

La réparation et la maintenance des composants électriques doivent inclure les contrôles de sécurité initiaux et les procédures d'inspection des composants. S'il existe un défaut susceptible de compromettre la sécurité, aucune alimentation électrique ne doit être connectée au circuit jusqu'à ce que le problème soit résolu de manière satisfaisante. Si le défaut ne peut pas être corrigé immédiatement mais qu'il est nécessaire de poursuivre le fonctionnement, une solution temporaire adéquate doit être utilisée. Cela doit être signalé au propriétaire de l'équipement afin que toutes les parties soient informées. Les contrôles de sécurité initiaux doivent inclure :

- que les condensateurs soient déchargés : cela doit être fait de manière sûre pour éviter toute possibilité d'étincelle ;
- qu'il n'y a pas de composants électriques et de câbles sous tension qui soient exposés lors du chargement, de la récupération ou de la purge du système ;
- Qu'il existe une continuité de la mise à la terre.

2) Réparations des composants scellés

- 1) Pendant les réparations des composants scellés, toutes les alimentations électriques doivent être débranchées de l'équipement utilisé avant l'enlèvement des couvercles scellés, etc. S'il est absolument nécessaire d'avoir une alimentation électrique de l'équipement pendant la procédure d'entretien, un système permanent de détection de fuite doit être situé au point le plus critique pour avertir d'une situation potentiellement dangereuse.
- 2) Une attention particulière doit être portée aux points suivants afin de garantir que le travail sur les composants électriques ne modifie pas le boîtier de manière à ne pas nuire à la protection. Cela inclut les dommages sur les câbles, le nombre excessif de connexions, les bornes non conformes aux spécifications d'origine, les dommages sur les joints d'étanchéité, le mauvais montage des presse-étoupes, etc.

Assurez-vous que l'appareil est bien monté. Assurez-vous que les joints ou les matériaux d'étanchéité ne se sont pas dégradés de telle sorte qu'ils ne servent plus à empêcher la pénétration d'atmosphères inflammables. Les pièces de rechange doivent être conformes aux spécifications du fabricant.

REMARQUE : L'utilisation d'un produit d'étanchéité à base de silicone peut nuire à l'efficacité de certains types d'équipement de détection de fuites. Les composants de sécurité intrinsèque ne doivent pas nécessairement être isolés avant de travailler dessus.

3) Réparation des composants à sécurité intrinsèque

N'appliquez pas de charges inductives ou capacitatives permanentes sur le circuit sans vous assurer que cela ne dépassera pas la tension et le courant admissibles pour l'équipement utilisé. Les composants à sécurité intrinsèque sont les seuls types sur lesquels on peut travailler tout en étant dans une atmosphère inflammable. L'appareil d'essai doit avoir les spécifications correctes. Remplacez les composants uniquement par des pièces spécifiées par le fabricant. D'autres pièces peuvent provoquer l'inflammation du réfrigérant dans l'atmosphère par une fuite.

4) Câblage

Vérifiez que le câblage ne sera pas soumis à l'usure, à la corrosion, à une pression excessive, aux vibrations, aux arêtes vives ou à tout autre effet nuisible. Le contrôle doit également prendre en compte les effets du vieillissement ou des vibrations continues provenant de sources telles que les compresseurs ou les ventilateurs.

5) Détection de réfrigérants inflammables

En aucun cas, des sources d'inflammation potentielles ne doivent être utilisées pour rechercher ou détecter des fuites de réfrigérant. Une torche aux halogénures (ou tout autre détecteur utilisant une flamme nue) ne doit pas être utilisée.

6) Méthodes de détection de fuite

Les méthodes de détection des fuites suivantes sont jugées acceptables pour les systèmes contenant des frigorigènes inflammables.

Des détecteurs de fuites électroniques doivent être utilisés pour détecter les réfrigérants inflammables, mais la sensibilité peut ne pas être adéquate ou nécessiter un réétalonnage. (L'équipement de détection doit être étalonné dans une zone sans réfrigérant). Assurez-vous que le détecteur n'est pas une source potentielle d'inflammation et qu'il convient au réfrigérant utilisé. L'équipement de détection des fuites doit être réglé sur un pourcentage de la LF du réfrigérant et doit être étalonné sur le réfrigérant utilisé et le pourcentage de gaz approprié (25% maximum) confirmé. Les fluides de détection des fuites peuvent être utilisés avec la plupart des réfrigérants, mais l'utilisation de détergents contenant du chlore doit être évitée car le chlore peut réagir avec le réfrigérant et corroder les conduites en cuivre. Si une fuite est suspectée, toutes les flammes nues doivent être retirées / éteintes. Si une fuite de réfrigérant nécessitant un brasage est détectée, tout le réfrigérant doit être récupéré du système ou isolé (au moyen de vannes d'arrêt) dans une partie du système éloignée de la fuite. L'azote exempt d'oxygène (OFN) doit ensuite être purgé à travers le système avant et pendant le processus de brasage.

7. Retrait et évacuation

Lorsque vous accédez au circuit de fluide frigorigène pour effectuer des réparations - ou à toute autre fin - utilisez les procédures classiques. Cependant, il est important que les meilleures pratiques soient suivies car l'inflammabilité est dangereuse. La procédure suivante doit être respectée :

- Retirez le réfrigérant ;
- Purgez le circuit avec un gaz inerte ;
- Évacuez ;
- Purgez à nouveau avec un gaz inerte ;
- Ouvrez le circuit en coupant ou en brasant.

La charge de réfrigérant doit être récupérée dans les bouteilles de récupération adaptées. Le système doit être « vidé » avec de l'azote sans oxygène pour rendre l'unité sûre. Ce processus peut avoir besoin d'être répété plusieurs fois. L'air comprimé ou l'oxygène ne doit pas être utilisé pour cette tâche. Le rinçage doit être réalisé en rompant le vide dans le système avec de l'azote sans oxygène et en continuant à le verser jusqu'à atteindre la pression de fonctionnement, puis en le relâchant dans l'atmosphère et en le tirant finalement vers le vide. Ce processus doit être répété jusqu'à ce qu'il n'y ait plus de réfrigérant dans le système. Lorsque la dernière charge d'azote sans oxygène est utilisée, le système doit être purgé à la pression atmosphérique pour permettre le travail. Cette opération est absolument essentielle pour que des opérations de brasage sur la tuyauterie aient lieu. Assurez-vous que la sortie de la pompe à vide ne se trouve pas à proximité de sources d'inflammation et qu'il existe une ventilation.

8. Procédures de charge

En plus des procédures de charge conventionnelles, les exigences suivantes doivent être suivies.

- Assurez-vous que les différents réfrigérants ne soient pas contaminés lors de l'utilisation d'un équipement de charge. Les tuyaux ou les conduites doivent être aussi courts que possible pour minimiser la quantité de réfrigérant qu'ils contiennent.
- Les bouteilles doivent être maintenues verticales.
- Assurez-vous que le système de réfrigération est mis à la terre avant de le charger en réfrigérant.
- Étiquetez le système lorsque le chargement est terminé (si ce n'est déjà fait).
- Un soin extrême doit être pris pour ne pas trop remplir le système de réfrigération.

Avant de recharger le système, il doit être testé sous pression avec de l'azote sans oxygène. Le système doit être soumis à un test d'étanchéité à la fin du chargement mais avant la mise en service. Un contrôle d'étanchéité doit être effectué avant de quitter le site.

9. Mise hors service

Avant d'effectuer cette procédure, il est essentiel que le technicien connaisse parfaitement l'équipement et tous ses détails. Il est recommandé, conformément aux bonnes pratiques, de récupérer tous les réfrigérants en toute sécurité. Avant l'exécution de la tâche, un échantillon d'huile et de fluide frigorigène doit être prélevé au cas où une analyse serait nécessaire avant la réutilisation du fluide frigorigène récupéré. Il est essentiel que l'alimentation électrique soit disponible avant le début de la tâche.

- a) Familiarisez-vous avec l'équipement et son fonctionnement.
- b) Isolez le système électriquement.
- c) Avant de tenter la procédure, assurez-vous que :
 - Un équipement de manutention mécanique est disponible, si nécessaire pour la manipulation des bouteilles de réfrigérant ;
 - Tous les équipements de protection individuelle sont disponibles et utilisés correctement.
 - Le processus de récupération est supervisé à tout moment par une personne compétente.
 - L'équipement de récupération et les bouteilles sont conformes aux normes appropriées.
- d) Pompez le système de réfrigérant, si possible.
- e) Si faire le vide n'est pas possible, créez un collecteur de sorte que le réfrigérant puisse être éliminé de différentes parties du système.
- f) Assurez-vous que la bouteille est située sur la balance avant la récupération.
- g) Démarrez la machine de récupération et opérez conformément aux instructions du fabricant.
- h) Ne remplissez pas trop les bouteilles. (Pas plus de 80% du volume de charge liquide).
- i) Ne dépassez pas la pression maximale de service de la bouteille, même temporairement.
- j) Lorsque les bouteilles ont été remplies correctement et que le processus est terminé, assurez-vous que les bouteilles et l'équipement sont retirés du site rapidement et que toutes les vannes d'isolement de l'équipement sont fermées.
- k) Le réfrigérant récupéré ne doit être chargé dans un autre système de réfrigération que s'il a été nettoyé et vérifié.

10. Étiquetage

L'équipement doit porter une étiquette indiquant qu'il a été mis hors service et vidé du réfrigérant. L'étiquette doit être datée et signée. Assurez-vous que l'équipement contient des étiquettes indiquant que celui-ci contient du réfrigérant inflammable.

11. Récupération

Lorsque vous retirez du fluide frigorigène d'un système, que ce soit pour un entretien ou une mise hors service, il est recommandé de retirer tous les réfrigérants de manière sûre. Lors du transfert de réfrigérant

dans des bouteilles, veillez à n'utiliser que des bouteilles de récupération de réfrigérant appropriées. Assurez-vous que le nombre correct de bouteilles permettant de contenir la charge totale du système est disponible. Toutes les bouteilles à utiliser sont désignées pour le réfrigérant récupéré et étiquetés pour ce réfrigérant (c'est-à-dire des bouteilles spéciales pour la récupération du réfrigérant). Les bouteilles doivent être équipées d'une soupape de surpression et des vannes d'arrêt associées en bon état de fonctionnement. Les bouteilles de récupération vides sont évacuées et, si possible, refroidies avant la récupération. L'équipement de récupération doit être en bon état de fonctionnement, avec un ensemble d'instructions concernant l'équipement disponible et doit être adapté à la récupération des réfrigérants inflammables. En outre, un jeu de balances étalonnées doit être disponible et en bon état de fonctionnement. Les flexibles doivent être complets avec des raccords débranchés sans fuite et en bon état. Avant d'utiliser la machine de récupération, assurez-vous qu'elle est en bon état de fonctionnement, correctement entretenue et que tous les composants électriques associés sont scellés pour éviter toute inflammation en cas de libération de réfrigérant. Consultez le fabricant en cas de doute. Le fluide frigorigène récupéré doit être renvoyé au fournisseur de fluide frigorigène dans la bouteille de récupération appropriée, et le billet de transfert de déchets correspondant doit être préparé. Ne mélangez pas les réfrigérants dans les unités de récupération et surtout pas dans les bouteilles. Si les compresseurs ou leurs huiles doivent être éliminés, assurez-vous qu'ils ont été évacués à un niveau acceptable pour vous assurer que le réfrigérant inflammable ne reste pas dans le lubrifiant. Le processus d'évacuation doit être effectué avant de retourner le compresseur aux fournisseurs. Seul un chauffage électrique du boîtier du compresseur doit être utilisé pour accélérer ce processus. Lorsque l'huile est évacuée d'un système, elle doit être effectuée en toute sécurité.

Compétence du personnel de service

Général

Une formation spéciale, en plus des procédures de réparation habituelles des équipements frigorifiques, est nécessaire lorsqu'un équipement contenant des réfrigérants inflammables est affecté.

Dans de nombreux pays, cette formation est assurée par des organismes d'entraînement nationaux accrédités pour enseigner les normes de compétences nationales pertinentes pouvant être définies dans la législation.

Les compétences acquises doivent être documentées par un certificat.

Formation

La formation doit inclure les éléments suivants :

Des informations sur le potentiel d'explosion des réfrigérants inflammables pour montrer que les produits inflammables peuvent être dangereux lorsqu'ils sont manipulés sans précaution.

Des informations sur les sources d'inflammation potentielles, en particulier celles qui ne sont pas évidentes, telles que briquets, interrupteurs d'éclairage, aspirateurs, radiateurs électriques.

Des informations sur les différents concepts de sécurité:

Non ventilé - La sécurité de l'appareil ne dépend pas de la ventilation du boîtier. La mise hors tension de l'appareil ou l'ouverture du boîtier n'a pas d'incidence significative sur la sécurité. Néanmoins, il est possible que du réfrigérant qui s'échappe s'accumule à l'intérieur du boîtier et une atmosphère inflammable se dégage à l'ouverture du boîtier.

Boîtier ventilé - La sécurité de l'appareil dépend de la ventilation du boîtier. La mise hors tension de l'appareil ou l'ouverture du boîtier ont un impact significatif sur la sécurité. Des précautions doivent être prises pour assurer une ventilation suffisante au préalable.

Pièce ventilée - La sécurité de l'appareil dépend de la ventilation de la pièce. La mise hors tension de l'appareil ou l'ouverture du boîtier n'a pas d'incidence significative sur la sécurité. La ventilation de la pièce ne doit pas être arrêtée pendant les procédures de réparation.

Informations sur le concept de composants et d'enceintes étanches selon IEC 60079-15: 2010.

Des informations sur les procédures de travail correctes :

- a) Mise en service

- Assurez-vous que la surface au sol est suffisante pour la charge de réfrigérant ou que le tuyau de ventilation est correctement assemblé.
 - Raccordez les tuyaux et effectuez un test d'étanchéité avant de charger du réfrigérant.
 - Vérifiez les équipements de sécurité avant la mise en service.
- b) Maintenance
- Les équipements portables doivent être réparés à l'extérieur ou dans un atelier spécialement équipé pour manipuler les unités avec des réfrigérants inflammables.
 - Assurez une ventilation suffisante sur le lieu de réparation.
 - Sachez qu'un dysfonctionnement de l'équipement peut être causé par une perte de réfrigérant et qu'une fuite de réfrigérant est possible.
 - Déchargez les condensateurs de manière à ne causer aucune étincelle. La procédure standard pour court-circuiter les bornes du condensateur crée généralement des étincelles.
 - Remontez les boîtiers scellés avec précision. Si les joints sont usés, remplacez-les.
 - Vérifiez les équipements de sécurité avant la mise en service.
- c) Réparations
- Les équipements portables doivent être réparés à l'extérieur ou dans un atelier spécialement équipé pour manipuler les unités avec des réfrigérants inflammables.
 - Assurez une ventilation suffisante sur le lieu de réparation.
 - Sachez qu'un dysfonctionnement de l'équipement peut être causé par une perte de réfrigérant et qu'une fuite de réfrigérant est possible.
 - Déchargez les condensateurs de manière à ne causer aucune étincelle.
 - Lorsqu'un brasage est requis, les procédures suivantes doivent être effectuées dans le bon ordre :
 - Retirez le fluide frigorigène. Si la récupération n'est pas exigée par les réglementations nationales, vidangez le réfrigérant vers l'extérieur. Veillez à ce que le réfrigérant drainé ne présente aucun danger. En cas de doute, une personne doit observer la sortie. Veillez à ce que le réfrigérant drainé ne retourne pas dans le bâtiment.
 - Évacuez le circuit frigorifique.
 - Purgez le circuit de réfrigérant à l'azote pendant 5 minutes.
 - Évacuez à nouveau.
 - Enlevez les pièces à remplacer en les coupant et non en les enflammant.
 - Purgez le point de brasage à l'azote pendant le processus de brasage.
 - Effectuez un test d'étanchéité avant de charger du réfrigérant.
 - Remontez les boîtiers scellés avec précision. Si les joints sont usés, remplacez-les.
 - Vérifiez les équipements de sécurité avant la mise en service.
- d) Mise hors service
- Si la sécurité est affectée lorsque l'équipement est mis hors service, la charge de réfrigérant doit être retirée avant la mise hors service.
 - Assurez une ventilation suffisante à l'emplacement de l'équipement.
 - Sachez qu'un dysfonctionnement de l'équipement peut être causé par une perte de réfrigérant et qu'une fuite de réfrigérant est possible.
 - Déchargez les condensateurs de manière à ne causer aucune étincelle.
 - Retirez le fluide frigorigène. Si la récupération n'est pas exigée par les réglementations nationales, vidangez le réfrigérant vers l'extérieur. Veillez à ce que le réfrigérant drainé ne présente aucun danger. En cas de doute, une personne doit observer la sortie. Veillez à ce que le réfrigérant drainé ne retourne pas dans le bâtiment.
 - Évacuez le circuit frigorifique.
 - Purgez le circuit de réfrigérant à l'azote pendant 5 minutes.
 - Évacuez à nouveau.

- Versez l'azote jusqu'à la pression atmosphérique.
- Placez une étiquette sur l'équipement indiquant que le réfrigérant est retiré.

e) Mise au rebut

- Assurez une ventilation suffisante sur le lieu de travail.
- Retirez le fluide frigorigène. Si la récupération n'est pas exigée par les réglementations nationales, vidangez le réfrigérant vers l'extérieur. Veillez à ce que le réfrigérant drainé ne présente aucun danger. En cas de doute, une personne doit observer la sortie. Veillez à ce que le réfrigérant drainé ne retourne pas dans le bâtiment.
- Évacuez le circuit frigorifique.
- Purgez le circuit de réfrigérant à l'azote pendant 5 minutes.
- Évacuez à nouveau.
- Découpez le compresseur et vidangez l'huile.

Transport, marquage et stockage pour les unités utilisant des réfrigérants inflammables

Transport d'équipements contenant des frigorigènes inflammables

L'attention est attirée sur le fait que des réglementations supplémentaires en matière de transport peuvent exister pour les équipements contenant des gaz inflammables. Le nombre maximal d'équipements ou la configuration des équipements pouvant être transportés ensemble sera déterminé par les réglementations de transport applicables.

Marquage de l'équipement à l'aide de panneaux

Les panneaux relatifs à des appareils similaires utilisés dans une zone de travail sont généralement régies par les réglementations locales et définissent les exigences minimales en matière de signalisation de sécurité et / ou de santé pour un lieu de travail .

Tous les panneaux requis doivent être entretenus et les employeurs doivent veiller à ce que les employés reçoivent des instructions et une formation appropriées et suffisantes sur la signification des panneaux de sécurité appropriés et sur les mesures à prendre en relation avec ces panneaux.

L'efficacité des panneaux ne doit pas être diminuée par un trop grand nombre de panneaux placés ensemble. Tous les pictogrammes utilisés doivent être aussi simples que possible et ne contenir que des détails essentiels.

Mise au rebut des équipements utilisant des réfrigérants inflammables

Reportez-vous aux réglementations nationales.

Rangement des équipements / appareils

Le stockage de l'équipement doit être conforme aux instructions du fabricant.

Stockage du matériel emballé (invendu)

La protection de l'emballage de stockage doit être conçue de manière à ce que les dommages mécaniques causés à l'équipement à l'intérieur de l'emballage ne provoquent pas une fuite de la charge de réfrigérant.

Le nombre maximal d'équipements pouvant être stockés ensemble sera déterminé par la réglementation locale.

Tack för att du har valt en av våra produkter. Läs igenom instruktionerna noga innan du använder produkten, så att du använder den på rätt sätt.

VIKTIGA INSTRUKTIONER

När du använder elektriska produkter bör du alltid vidta försiktighetsåtgärder för att minska risken för brand, elstötar, brännskador och andra skador.

1. Läs igenom och spara dessa instruktioner. Obs! Bilderna häri är endast för referens.
2. Denna apparat får användas av barn från 8 års ålder, personer med nedsatt fysisk, sensorisk eller mental förmåga eller personer med brist på erfarenhet och kunskap om de övervakas eller fått instruktioner angående användningen av apparaten på ett säkert sätt och förstår riskerna.
3. Barn får inte leka med apparaten.
4. Rengöring och underhåll av apparaten får inte göras av barn utan vuxens tillsyn.
5. Om sladden är skadad måste den bytas ut av tillverkaren, en av tillverkaren godkänd reparatör eller liknande kvalificerad person för att undvika faror.
6. Använd produkten endast inomhus.
7. Använd inte enheten i områden där: den är nära brandkällor, där olja kan skvätta, den utsätts för direkt solljus, där vatten kan skvätta, i en tvättstuga, dusch eller nära en simbassäng.
8. För aldrig in fingrar, pinnar i luftutloppet. Var särskilt noga med att informera barn om dessa faror.
9. Håll enheten upprätt under transport och förvaring så att kompressorn är korrekt inriktad.
10. Stäng alltid av och dra koppla ur strömförsörjningen innan du sätter ihop, rengör eller flyttar enheten.

11. För att undvika brandfara skall aldrig apparaten täckas över.
12. Alla kontakter till luftkonditioneringen måste uppfylla lokala elektriska säkerhetskrav. Om så behövs, kontrollera om det uppfyller kraven.
13. Apparaten skall installeras i enlighet med nationella elinstallationsbestämmelser.
14. Detaljer om typ är märkning av säkringar: T, 250V AC, 3,15A.
15. Kontakta en auktoriserad servicetekniker för reparation eller underhåll av denna enhet.
16. Dra inte i, deformera eller modifiera strömssladden eller sänk ner den i vatten. Att dra i eller missbruka strömssladden kan resultera i skador på enheten och orsaka elektriska stötar.
17. Uppfyllelse av nationella gasbestämmelser skall iakttas.
18. Service skall endast utföras såsom rekommenderas av utrustningens tillverkare. Underhåll och reparation som kräver assistans av annan kunnig personal skall utföras under översikt av personen som är kompetent för användning av brandfarliga kylmedel.
19. Använd inte eller stoppa enheten genom att sätta i eller dra ut elkontakten, det kan orsaka elstötar eller brand på grund av generering av hetta.
20. Koppla ifrån enheten om det avger konstiga ljud, lukt eller rök kommer från den.
21. Anslut alltid enheten till ett jordat uttag.
22. Vid skada, stäng av omkopplaren, koppla ifrån strömförsörjningen och kontakta ett auktoriserat servicecenter för reparation.
23. Snabba inte på avfrostningen med några hjälpmedel eller för rengöring andra än de processer som rekommenderas av tillverkaren.
24. Apparaten skall förvaras i ett rum utan kontinuerligt arbetande gnistkällor (exempelvis öppna lågor, en arbetande elektrisk värmeapparat).
25. Stick inte hål eller bränn.

26. Var medveten om att kylmedel kanske inte innehåller någon lukt.
27. Denna apparat innehåller R290 kylmedelsgas. R290 är en kylmedelsgas som uppfyller de europeiska direktiven för miljön. Punktera inte någon del av kylmedelskretsen.
28. Om apparaten har installerats, används eller förvaras i ett oventilerat rum måste rummet vara designat för att förhindra ackumulering av läckande kylmedel vilket resulterar en brandrisk eller explosion på grund av antändning av kylmedlet vilket orsakas av elektriska värmare, spisar eller andra källor för antändning.
29. Apparaten måste förvaras på ett sätt så att mekaniska fel förhindras.
30. Personer som hanterar eller arbetar med kylkretsen måste ha lämplig certifiering utgiven av en ackrediterad organisation som garanterar kompetensen för hantering av kylmedel i enlighet med en specifik utvärdering som erkänns i samarbete med industrin.
31. Reparationer måste utföras baserat på rekommendationerna från det tillverkande företaget. Underhåll och reparationer som kräver assistans av annan kvalificerad person måste utföras under övervakning av en person som specificerats i användning av brandfarliga kylmedel.
32. Beträffande instruktioner för reparation av apparater som innehåller R290, se nedanstående stycken.
33. Låt alltid apparaten vila minst 2 timmar efter att den flyttas från en plats till en annan.



Varning: Risk för brand/Brandfarligt material.



Läs igenom bruksanvisningarna.



Bruksanvisning; driftinstruktioner.



Serviceindikator, läs tekniska manualen.

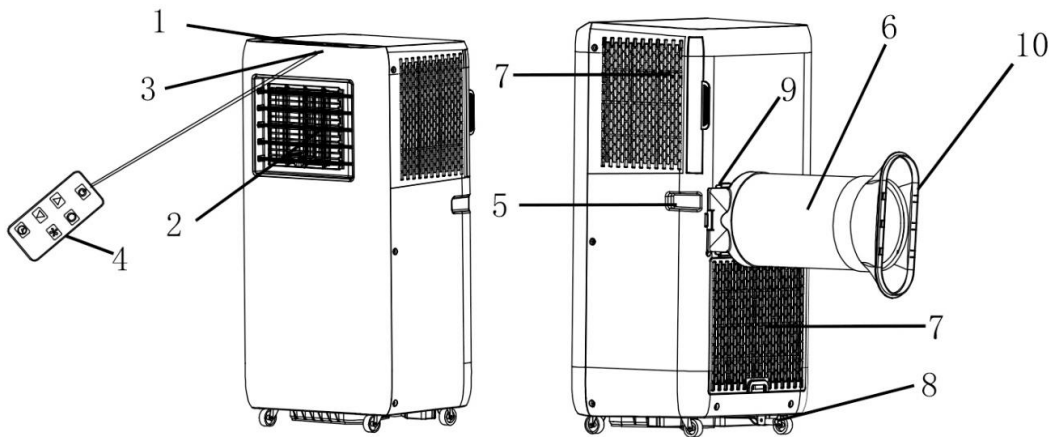
Varning: Håll ventilationsöppningarna fria från tilltäppning.

Varning: Apparaten skall förvaras i väl ventilerade områden där rumsstorleken motsvarar rumsarean som specificerats för drift.

Avståndet som krävs runt enheten skall vara minst 30 cm.

Apparaten skall installeras, hanteras och förvaras i ett rum med en golvyta som är större än 4 m².

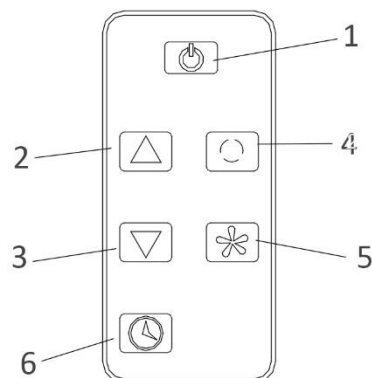
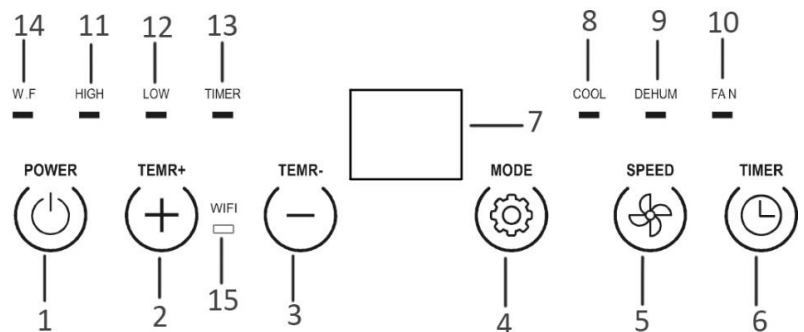
BESKRIVNING AV DELAR



1. Kontrollpanel
2. Luftutblås och ventilationsgaller
3. Signalreceptor
4. Fjärrkontroll
5. Handtag
6. Utblås slang luft
7. Luftinlopp och luftfilter
8. Tömningsport (isatt med ett stopp)
9. Slanganslutning
10. Fönsteradapter

Kontrollpanel

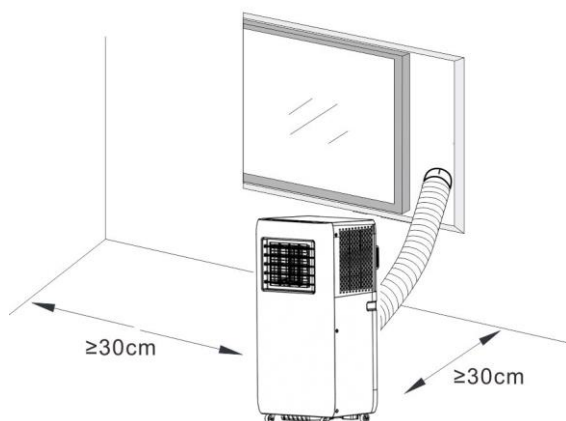
1. Strömknapp
2. Temperatur-/timerknapp för ökning
3. Temperatur-/timerknapp för minskning
4. Lägesknapp
5. Hastighetsknapp för fläkt
6. Timer-knapp
7. Digital skärm
8. Indikatorlampa kallt läge
9. Indikatorlampa för avfuktningläge
10. Indikatorlampa fläktläge
11. Indikatorlampan för hög fläkthastighet
12. Indikatorlampan för låg fläkthastighet
13. Indikatorlampan timer
14. Indikatorlampa vattentank full
15. Indikatorlampan Wi-Fi



Denna enhet har en fjärrkontroll. Ett batteri av modell CR2025 används till fjärrkontrollen. Innan fjärrkontrollen börjar användas, ta bort plastskyddet från batteriet. Om du vill byta batterierna, se instruktionerna på baksidan av fjärrkontrollen. Om den inte skall användas under en längre period, ta ut batteriet från fjärrkontrollen. Håll knappcells batterier utom räckhåll för små barn.

INSTALLATION

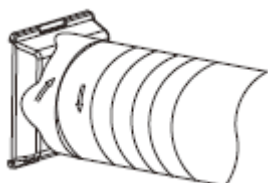
- Enheten skall installeras på en plan yta där luftutblåset inte kommer att blockeras. Avståndet som krävs runt enheten skall vara minst 30 cm.



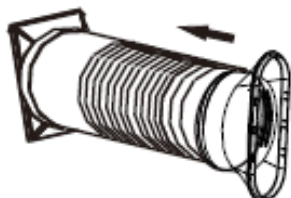
- Enheten ska inte installeras i en tvättstuga.
- Förläng luftutblåsslängen genom att dra ut den två ändarna på slangen.



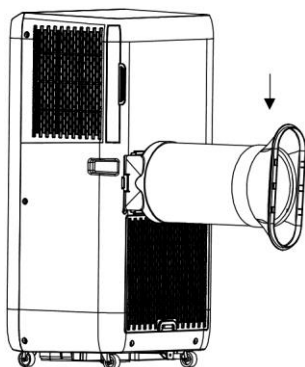
- Skruva in luftutblåsslängen i slanganslutningen.



- Skruva fast den andra änden av luftutblåsslängen i fönsteradaptern.



- Sätt in slanganslutningen i konsolen på baksidan av enheten.



ANVÄNDNING

*Låt alltid apparaten vila minst 2 timmar efter att den flyttas från en plats till en annan.

Innan användning, kontrollera att utblåsslängen har monterats korrekt. Anslut apparaten till eluttaget. Gallren kan justeras manuellt.

1. Strömbrytare

Tryck på strömbrytaren för att slå på apparaten. Apparaten börjar arbeta.

Tryck på knappen igen, apparaten kommer nu att stängas av.

2. Temperatur-/timerknapp för ökning och temperatur-/timerknapp för minskning

Tryck på knappen "+"/"-" på kontrollpanelen eller "▲"/"▼" på fjärrkontrollen för att ställa in önskad rumstemperatur från 15 °C till 31 °C. Knapparna kan också användas för inställning av timer under timerinställning. Värdet kommer att öka/minska med by 1 (°C /timme) för varje tryckning.

3. Hastighetsknapp för fläkt

Tryck på fläkthastighetsknappen för att välja mellan låg och hög fläkthastighet. Motsvarande indikatorlampa "LOW"/"HIGH" kommer att lysa.

4. Lägesknapp

Tryck på knappen "mode" för att välja önskat arbetsläge mellan kylning, avfuktning och fläkt. Motsvarande indikatorlampa kommer att lysa när det specifika läget valts.

- Kylläge

När rumstemperaturen är högre än inställd temperatur kommer kompressorn att starta.

När rumstemperaturen är lägre än inställd temperatur stoppar kompressorn och fläkten arbetar med ursprunglig inställd hastighet.

Notera: När kompressorn arbetar kommer enheten att vibrera något. Detta är normalt och är ofarligt.

- Avfuktningsläge

Vid avfuktningsläge körs fläkten med låg hastighet. Fläkthastigheten och temperaturen kan inte justeras.

Kompressorn stoppas efter 8 minuters körtid och körs igen efter 6 minuter och repetera på detta sätt.

- Fläktläge

När fläkten körs på inställd hastighet körs inte kompressorn.

Inställning av temperaturen i fläktläge går inte.

5. Timer-knapp

Inställning automatisk påslagning

- När apparaten är avstängd, tryck på timerknappen, timerindikatorlampan kommer att blinka.
- Tryck på knappen för att öka eller minska för att välja en önskad automatisk påslagningstid från 1 till 24 timmar. Timerns indikatorlampa kommer att blinka i flera sekunder och sedan lysa med fast sken, den digitala displayen kommer att vara avstängd. Timerinställningen är bekräftad.
- Du kan välja fläkthastighet eller -läge samtidigt.
- Apparaten kommer att slås på automatiskt när den valda tiden har passerats.

Inställning automatisk avstängning

- När apparaten är påslagen, tryck på timerknappen, timerindikatorlampan kommer att blinka.
- Tryck på knappen för att öka eller minska för att välja en önskad automatisk avstängningstid från 1 till 24 timmar. Timerns indikatorlampa kommer att blinka i flera sekunder och sedan lysa med fast sken. Timerinställningen är bekräftad.
- Apparaten kommer att stängas av automatiskt den valda tiden har passerats.

För att avbryta timern, tryck på timerknappen, när timerindikatorlampan blinkar, tryck på timerknappen igen. Timerindikatorlampan kommer att slockna.

NOTERA:

- Skyddsensheten kan lösas ut och stoppa apparaten under de förhållanden som listas nedan.

Kylning	Rumstemperaturen är över 43 °C.
	Rumstemperaturen är under 15 °C.
Avfuktning	Rumstemperaturen är under 15 °C.

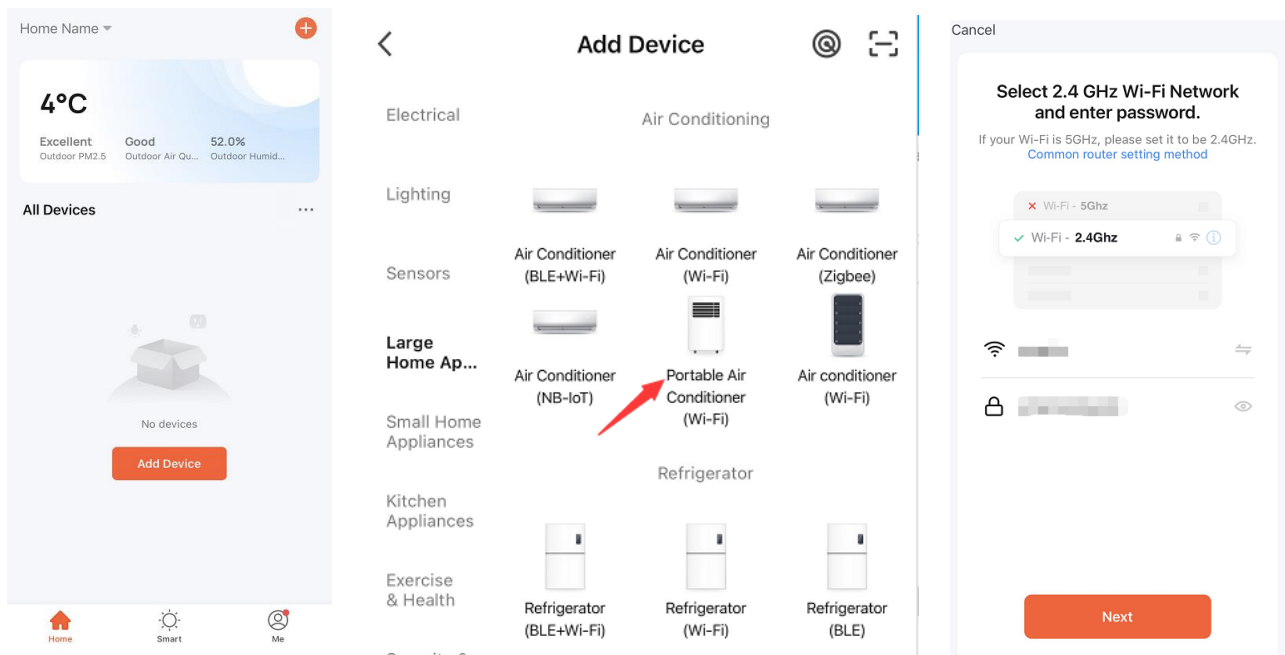
- Om apparaten körs i kyläge eller avfuktningläge med dörren eller fönstret öppet under lång tid när den relativa luftfuktigheten är över 80 %, kan fukt droppa ned från luftutloppet.

Tömma vatten

- 1) Särskild påminnelse: Det finns kondensvattenåtervinning dold i denna apparat. Kondensvattnet återvinns delvis mellan kondensorn och vattenbrickan. När vattennivån når upp till den övre nivån kommer koden vatten fullt "E4" att visas på den digitala displayen för att påminna om att tömma ut vattnet.
- 2) Stäng av strömförsörjningen, flytta apparaten till en lämplig plats, dra ut stoppet in tömningsporten och töm ut allt vatten. Om förhållandena så tillåter kan du också ansluta tömningslagen till tömningsporten för vattentömningen.
- 3) Efter tömningen, sätt tillbaka stoppet i tömningsporten, i annat fall kan apparaten läcka ut i rummet.

WiFi-anslutningsguide (Guiden för APP kanske inte uppdateras regelbundet på grund av uppgradering av programvaruversioner eller andra orsaker. Denna instruktion används endast som en guide.):

1. Sök efter "Tuya Smart" i App Store (för iOS) eller Google Play (för Android), ladda ned applikationen "Tuya Smart" till telefonen. Anslut till eller logga in till ditt konto på Tuya.
2. Se till att apparaten är i standby-läge. Tryck länge på lägesknappen tills ett pip ljud hörs. WIFI-indikatorlampan blinkar snabbt.
3. Tryck på "+" längst upp till höger eller knappen "Lägg till enhet" på Tuyas startsida för att lägga till din apparat.
4. Hitta kategorin "Portable Air Conditioner". Tryck på ikonen och du får uppmaningen som frågar om du vill använda 2.4GHz Wi-Fi nätverket. Notera att 5 GHz Wi-Fi inte stöds av denna applikation.
5. Ange ditt Wi-Fi lösenord och anslut till Wi-Fi. Bekräfta att indikatorn blinkar snabbt, tryck på "Nästa", applikationen kommer att söka efter och lägga till apparaten.



6. När apparaten har lagts till lyser WIFI-indikatorlampan fortfarande.
7. Nu kan du använda appen för att använda apparaten.

Notera:

- Tryck på lägesknappen i appen, du kommer att ha "Cool, Dry and Fläkt". Torrt läge är detsamma som avfuktningläge.
- Tryck på temperaturdisplayen för att växla mellan Fahrenheit och Celsius.
- När nätverksmiljön för apparaten har ändrats behöver den konfigureras om.
- Du kan slå på/stänga av Wi-Fi-funktionen genom lång tryckning på lägesknappen på kontrollpanelen när

apparaten är i standby-läge. När WIFI-indikatorlampan blinkar snabbt väntar apparaten på att bli parkopplad. När WIFI-indikatorlampan fortfarande lyser har Wi-Fi anslutits. När WIFI-indikatorlampan släcks har WIFI stängts av.

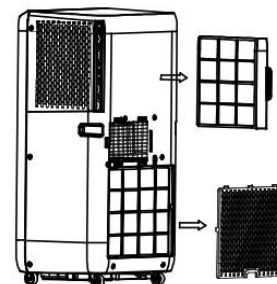
RENGÖRING OCH UNDERHÅLL

- Innan rengöring, se till att koppla ifrån apparaten från alla elektriska anslutningar.
- Använd inte bensin eller andra kemikalier för att rengöra apparaten.
- Spola inte direkt på apparaten.
- Om apparaten är skadad, kontakta återförsäljaren eller en reparationsverkstad.

Luftfilter

Om luftfiltret blir igensatt med damm/smutsdamm, rengör det då varannan vecka.

- Dra ut luftfiltret genom att dra i fliken.
- Rengör luftfiltret med ett neutralt rengöringsmedel i ljummet vatten (< 40 °C) och låt det torka
- Sätt tillbaka luftfiltret.



Rengöra ytan

Rengör först ytan med ett neutralt rengöringsmedel och våt trasa. Torka sedan av den med en torr trasa.

FELSÖKNING

Följande fall kanske inte alltid är ett funktionsfel, se förslagen nedan innan du ber om service.

Problem	Analys
Kör inte	<ul style="list-style-type: none"> • Om skyddsremsan eller säkringen löst ut. • Vänta i 3 minuter och börja om igen, skyddsenhetsen kan förhindra att enheten fungerar. • Om batterierna i fjärrkontrollen är uttömda. • Om kontakten inte är ordentligt inkopplad.
Körs bara en kort stund	<ul style="list-style-type: none"> • Om den inställda temperaturen ligger nära rumstemperatur kan du sänka den inställda temperaturen. • Luftuttaget är blockerat. Ta bort blockeringen.
Vattenläcka under förflyttning	<ul style="list-style-type: none"> • Töm kondensvattnet innan du flyttar. • För att undvika vattenläckage, placera enheten på plant underlag.
Kör inte och indikatorn för fullt med vatten "E4" visas	<ul style="list-style-type: none"> • Dra ut gummiproppen för att tömma ut vattnet. • Om det sker ofta är i denna status, kontakta kvalificerad servicetekniker.
Apparaten stannar automatiskt	<ul style="list-style-type: none"> • Tidsinställningen avstängd • Ställ in temperatur uppnådd

TEKNISKA DATA

Nedanstående data för driftreferens

Modell	PAC-127277
Märkspänning	220-240V
Märkfrekvens	50Hz
Märkeffekt	750W
Märkström	3.4A
Kylkapacitet	7000BTU
Fuktborttagning (L/H)	0.8
Luftflöde	270m ³ /h
Max. sändningseffekt	18,2 dBm
Frekvensområde	2412-2472MHz

Vi, Emerio, deklarerar under eget ansvar att produkten: PAC-127277 uppfyller väsentliga krav och andra relevanta krav i RED direktivet (2014/53/EU)

Den kompletta CE-deklarationen finns tillgänglig på följande adress: www.emerio.eu

ERP-INFORMATION

	Värde																
Varumärke	Emerio																
Modellidentifikation	PAC-127277																
Ljudeffekt (kylning)	64dB(A)																
Namn på kylmedel	R290																
Märkeffekt inmatning för kylning (kW)	0.755																
Märkenergi effektivförhållande	2.7																
GWP (kgCO ₂ eq)	3																
Märkenergi effektivklass	A																
Energiförbrukning för apparater med dubbla rör (kWh/h)	-																
Energiförbrukning för apparater med enkelrör (kWh/h)	0.755																
Energiförbrukning i termostat vi avstängt läge (W)	-																
Energiförbrukning i standby-läge (W)	0.85																
Kylkapacitet	7000BTU																
<p>Kylmedelsläckage bidrar till klimatförändringar. Kylmedel med lägre global uppvärmningspotential (global warming potential/GWP) kan bidra till mindre global uppvärmning är ett kylmedel med högre GWP, om den läcker ut i atmosfären. Denna apparat innehåller en kylmedelsvätska med ett GWP likvärdig med 3. Det betyder att om 1 kg av denna kylmedelsvätska läcker ut i atmosfären kommer påverkan för den globala uppvärmningen att vara 3 gånger högre än 1 kg CO₂ över en period på 100 år. Försök aldrig att själv försöka att påverka kylmedelskretsen eller demontera själva produkten utan fråga alltid en expert.</p> <p>#Energiförbrukning 0.755 kWh för modell PAC-127277 vid 60 minuters användning under standardförhållanden. Den verkliga energiförbrukning beror på hur enheten används och var den är placerad.</p> <p>För ytterligare information, kontakta:</p> <table><tr><td>Emerio B.V.</td><td>Customer service:</td><td>Kundeninformation:</td><td>Klantenservice:</td></tr><tr><td>Zomervaart 1A</td><td>T: +31 (0) 23 3034369</td><td>T: +49 (0) 3222 1097 600</td><td>T: +31 (0) 23 3034369</td></tr><tr><td>2033 DA Haarlem</td><td>E: info@emerio.eu</td><td>E: info.de@emerio.eu</td><td>E: info.nl@emerio.eu</td></tr><tr><td>The Netherlands</td><td></td><td></td><td></td></tr></table>		Emerio B.V.	Customer service:	Kundeninformation:	Klantenservice:	Zomervaart 1A	T: +31 (0) 23 3034369	T: +49 (0) 3222 1097 600	T: +31 (0) 23 3034369	2033 DA Haarlem	E: info@emerio.eu	E: info.de@emerio.eu	E: info.nl@emerio.eu	The Netherlands			
Emerio B.V.	Customer service:	Kundeninformation:	Klantenservice:														
Zomervaart 1A	T: +31 (0) 23 3034369	T: +49 (0) 3222 1097 600	T: +31 (0) 23 3034369														
2033 DA Haarlem	E: info@emerio.eu	E: info.de@emerio.eu	E: info.nl@emerio.eu														
The Netherlands																	

GARANTI OCH KUNDTJÄNST

Innan leverans genomgår våra apparater en sträng kvalitetskontroll. Om det trots detta skulle uppstå någon skada på produktionen eller vid transporten, ber vi dig att ta med apparaten tillbaka till inköpsstället. Förutom de i lag fastställda garantianspråken har köparen möjlighet att göra gällande följande anspråk på garanti:

För den köpta apparaten ges 2 års garanti, med början på inköpsdagen.

Brister som uppstår genom felaktig hantering av apparaten och fel som uppstår genom ingrepp och reparationer av tredje man eller montering av främmande delar, omfattas ej av vår garanti. Behåll alltid ditt kvitto då det är din garanti vid eventuell reklamation. Skador som uppstår p.g.a. att instruktionsmanualen inte följs ogiltigförklarar garantin och om detta leder till påföljande skador så kan inte vi hållas ansvariga. Vi kan

inte hållas ansvariga för materiella skador eller personskador som orsakas av felaktig användning eller om inte säkerhetsföreskrifterna följs. Skador på tillbehören innebär inte per automatik ersättning av hela apparaten. I sådana fall ska du kontakta vår kundservice. Trasigt glas och trasiga plastdelar innebär alltid en kostnad. Defekter på förbrukningsartiklar eller slitdelar och även skador orsakade av rengöring, underhåll eller byte av tidigare nämnda delar täcks inte av garantin och ska således betalas av ägaren.

MILJÖVÄNLIG KASSERING



Återvinning – EU-direktiv 2012/19/EU

Denna markering indikerar att produkten inte får kastas tillsammans med övrigt hushållsavfall. För att förhindra eventuell skada på miljön eller människors hälsa på grund av okontrollerad avfallshantering, återvinns de på ett ansvarsfullt sätt som främjar en hållbar återanvändning av materiella resurser. För att återlämna den använda enheten, använd retur- och insamlingsystem eller kontakta återförsäljaren där produkten var köpt. De kan ta denna produkt för miljösäker återvinning.



BATTERIET MÅSTE ÅTERVINNAS ELLER KASSERAS PÅ ETT KORREKT SÄTT. FÅR INTE ÖPPNAS. FÅR INTE KASSERAS I ÖPPEN ELD ELLER KORTSLUTAS.

Emerio B.V.
Zomervaart 1A
2033 DA Haarlem
The Netherlands

Customer service:
T: +31 (0) 23 3034369
E: info@emerio.eu

Kundeninformation:
T: +49 (0) 3222 1097 600
E: info.de@emerio.eu

Klantenservice:
T: +31 (0) 23 3034369
E: info.nl@emerio.eu

INSTRUKTIONER FÖR REPARATION AV APPARATER SOM INNEHÅLLER R290

1. Service

1) Kontroller för området

Innan arbete påbörjas på system som innehåller antändbara kylmedel är det nödvändigt med säkerhetskontroller för att garantera att risken för antändning är minimerad. För reparationer av kylsystem skall följande säkerhetsåtgärder uppfyllas innan arbete påbörjas på systemet.

2) Arbetsprocedur

Arbete skall under en kontrollerad procedur frö att minimera risken att brännbara gaser eller ånga finns närvarande när arbetet påbörjas.

3) Allmänt arbetsområde

All underhållspersonal och andra som arbetar i närheten skall instrueras om typ av arbete som skall utföras. Arbete i slutna utrymmen skall undvikas. Området runt arbetsplatsen skall spärras. Se till att det inom området har säkrats genom att kontrollera om det finns brännbara material.

4) Kontrollera om det finns kylmedel i närheten.

Området skall kontrolleras med en lämplig detektor för kylmedel innan och under arbetet för att garantera att teknikern är medveten om potentiellt brännbar atmosfär. Se till att utrustning för läckagedetektering som använd är lämplig för användning med brännbara kylmedel, d.v.s. är icke-gnistbildande, adekvat förseglade eller i sig självt är säkra.

5) Att brandsläckningsutrustning finns i närheten.

Om någon värmebearbetning skall utföras på kylutrustningen eller någon tillhörande del skall lämplig brandsläckningsutrustning finnas tillgänglig. Ha brandsläckare med torrt pulver eller kolsyra i närheten av arbetsområdet.

6) Inga antändningskällor

Inga personer som utför arbete på kylsystem som involverar exponering av rör som innehåller eller har innehållit antändbart kylmedel skall inte använda någon form av antändningskällor på ett sådant sätt att det kan leda till risk för brand eller explosion. Alla tänkbara antändningskällor, inklusive cigarettrökning, skall hållas tillräckligt långt från platsen för installationen, reparationen, borttagning och avyttring under vilka antändbart kylmedel kan komma ut i omgivningen. Innan arbete starta måste området runt utrustningen granskas för att vara säker på att det inte finns några risker för brand eller antändning. Skylten "Rökning förbjuden" skall visas.

7) Ventilerat område

Se till att området är öppet eller att det är tillräckligt ventilerat innan systemet öppnas eller heta arbeten utförs. En viss ventilation skall finnas under tiden som arbetet utförs. Ventilationen skall på ett säkert sätt ventileras bort allt frisläppt kylmedel och helst släppa ut det i atmosfären.

8) Kontroll av kylutrustningen

När elektriska komponenter byts ut skall de passa för dess syfte och har korrekt specifikation. Tillverkarens underhålls- och serviceriktlinjer skall alltid följas. Vid tveksamheter, rådfråga tillverkarens tekniska avdelning för hjälp.

Följande kontroller skall gälla för installationer med antändningsbara kylmedel:

- Laddningsstorleken är i enlighet med rumsstorleken där kylanläggningens delar är installerad;
- Ventilationsmaskineriet och utlopp fungerar korrekt och inte är hindrade;
- Om en indirekt kylkrets används skall den andra kretsen kontrolleras om den innehåller kylmedel;
- Markeringar på utrustningen skall fortsätta vara synlig och läslig. Markeringar och skyltar som är läsliga skall vara korrekta;
- Kylrör eller komponenter är installerade i en position där de inte kan utsättas för några substanser som kan fräta på kylanläggningars komponenter, såvida inte komponenterna består av material som i sig är motståndskraftiga mot frätning eller är lämpligt skyddade mot frätning.

9) Kontroll av elektriska enheter

Reparationer och underhåll av elektriska komponenter skall inkludera initial säkerhetskontroll och inspektion av komponenter. Om det finns ett fel som påverkar säkerheten skall ingen elektrisk anslutning göras till enheten innan felet hanterats på ett tillfredsställande sätt. Om felet inte kan korrigeras men det är nödvändigt att fortsätta driften skall en adekvat temporär lösning användas. Detta skall rapporteras till ägaren av utrustningen så att alla parter är informerade. Initiala säkerhetskontroller skall inkludera:

- Att kondensatorer är urladdade: detta skall göras på ett säkert sätt för att undvika eventuell gnistbildning;
- Att det inte finns några strömförande elektriska komponenter och ledningar exponerade för laddning, återvinning eller avluftning av systemet;
- Att det inte finns någon kontinuitet av jordbindning.

2. Reparation av gastäta komponenter

- 1) Under reparation av gastäta komponenter skall alla elektriska anslutningar vara frånkopplade från utrustningen som arbetas med innan några förseglade luckor tas bort etc. Om det är absolut nödvändigt att ha strömanslutning till utrustningen under servicen skall en permanent fungerar form av läckagedetektering vara placerad vid den mest kritiska punkten för att varna för en potentiellt farlig situation.
- 2) Särskild uppmärksamhet skall riktas på följande för att garantera att vid arbete med elektriska komponenter skall höljen inte ändras på ett sådant sätt att skyddsnivån påverkas. Detta skall inkludera skador på kablar, överdrivet antal anslutningar, terminaler som inte skapats enligt ursprungsspecifikationer, skador på förseglingar, felaktig fastsättning av packningsringar etc.

Se till att apparaten är monterade säkert. Se till att gastätningar eller tätningmaterial inte har slitits så att de inte längre fyller sitt syfte med att förhindra åtkomst till brännbar atmosfär. Byte av delar skall ske i enlighet med tillverkarens specifikationer.

NOTERA: Användning av silikontätningmedel kan hämma effektiviteten mot vissa typer av utrustningar för läckagedetektering. Verkligt säkra komponenter behöver inte isoleras innan arbete utförs på dem.

3. Reparation av verkligt säkra komponenter

Använd inga permanent induktiva eller kapacitansbelastningar till kretsen utan att se till att det inte överskrider tillåtna spänningen och strömmen som är tillåtet för utrustningen som används. Verkligt säkra komponenter är de endast typerna som kan arbeta på strömförande vid närvaro av antändbar atmosfär. Testapparaten skall ha korrekt märkdata. Byt endast komponenter mot delar som specificerats av tillverkaren. Andra delar kan resultera i antändning av kylmedel i atmosfären från en läcka.

4. Kablar

Kontrollera att kablarna inte utsätts för slitage, överdrivet tryck, vibrationer, vassa kanter eller andra skadliga miljöeffekter. Kontrollen skall också ta med effekterna av åldrande eller kontinuerliga vibrationer från källor såsom kompressorer eller fläktar.

5. Detektering av brandfarliga kylmedel

Under inga omständigheter skall potentiella källor för antändning användas för att söka efter eller för att detektera kylmedelsläckage. En läcksökningslampa (eller någon annan detektor som använder en öppen låga) skall inte användas.

6. Metoder för läckagedetektering

Följande metoder för läckagedetektering bedöms acceptabla för system som innehåller antändbara kylmedel. Elektroniska läckagedetektorer skall användas för att detektera antändningsbara kylmedel, men känsligheten kanske inte är adekvat eller kan behöva återkalibreras. (Detekteringsutrustning skall kalibreras i ett

kylmedelsfritt område.) Se till att detektorn inte är en potentiell källa för antändning och att den är lämplig för kylmedlet som används. Utrustning för läckagedetektering skall ställas in på ett procenttal av LFL för kylmedlet och skall kalibreras till kylmedlet som används om det ungefärliga procenttalet för gas (25 % maximalt) är bekräftat. Läckagedetektering av vätskor är lämplig att användas med de flesta kylmedel men användning av kylmedel som innehåller klor skall undvikas eftersom klor kan reagera med kylmedlet och fräta på kopparrören. Om det misstänks finnas en läcka skall alla öppna lågor tas bort/släckas. Om ett läckage av kylmedel hittas som kräver hårdlödning skall allt kylmedel tömmas från systemet eller isoleras (med hjälp av avstängningsventiler) i en del av systemet fjärran från läckaget. Syrefritt kvävgas (Oxygen free nitrogen/OFN) skall sedan rena systemet både innan och under hårdlödningsprocessen.

7. Borttagning och evakuering

När man tar sig in i kylsystemkretsen för reparation - eller för något annat syfte - skall konventionella procedurer användas. Emellertid är det viktigt att bästa praxis följs eftersom antändligheten bör beaktas. Följande procedurer skall följas:

- Ta bort kylmedel;
- Rena kretsen med inaktiv gas;
- Evakuera;
- Rengör igen med inaktiv gas;
- Öppna kretsen genom skärning eller hårdlödning.

Kylmedlet skall återvinnas i korrekta återvinningsbehållare. Systemet skall "sköljas" med OFN för att göra enheten säker. Denna process kan behöva upprepas flera gånger. Tryckluft eller syre skall inte användas för denna uppgift. Sköljning skall uppnås genom att bryta vakuomet i systemet med OFN och fortsätta att fylla på tills arbetstrycket uppnåtts, sedan ventileras ut i atmosfären och slutligen dra ned till ett vakuum. Denna process skall upprepas tills inget kylmedel finns kvar i systemet. När den slutliga OFN laddningen använd skall systemet ventileras ned till atmosfärstryck för att möjliggöra att arbetet kan ske. Detta arbete är absolut livsnödvändigt om hårdlödningsarbete ska kunna ske på rörarbetet. Se till att utloppet för vakuumpumpen inte är nära några antändningskällor och att det finns ventilation tillgänglig.

8. Laddningsprocedur

Förutom konventionella laddningsprocedurer skall följande krav följas.

- Se till att kontaminering av olika kylmedel inte uppstår när laddningsutrustningen används. Slangar och ledningar skall vara så korta som möjligt för att minimera mängden kylmedel i dessa.
- Cylindrar skall hållas upprätt.
- Se till att kylmedelssystemet är jordat innan systemet laddas med kylmedel.
- Märk systemet när laddningen är klar (om det inte redan är gjort).
- Extrem försiktighet gäller så att kylsystemet inte överfylls.

Innan laddningen av systemet skall det provtryckas med OFN. Systemet skall läckagetestas när laddningen är klar men innan driftsättning. Ett efterföljande läckagetest skall utföras innan anläggningen lämnas.

9. Stängning

Innan denna procedur utförs är det väsentligt att teknikern är fullständigt förtrogen med utrustningen och alla dess detaljer. Det rekommenderas att god praxis är att alla kylmedel återvinns på ett säkert sätt. Innan uppgiften utförs skall ett olje- och kylmedelsprov tas om en analys krävs innan det återvunna kylmedlet återanvänds. Det är väsentligt att den elektriska strömmen finns tillgänglig innan uppgiften startar.

- a) Bli förtrogen med utrustningen och dess hantering.
- b) Isolera systemet elektriskt.
- c) Innan proceduren startas, se till att:
 - Mekaniskt hanterad utrustning finns tillgänglig, om den krävs för hantering av kylmedelscylindrarna;

- All personals skyddsutrustning finns tillgänglig och används korrekt;
 - Återvinningsprocessen övervakas hela tiden av en kompetent person;
 - Återvinningsutrustning och cylindrar uppfyller lämplig standard.
- d) Pumpa ned kylsystemet om möjligt.
 - e) Om vakuum inte är möjligt, gör ett samlingsrör så att kylmedel kan tas bort från olika delar av systemet.
 - f) Se till att cylindrarna är placerad på skalan innan återvinning sker.
 - g) Starta återvinningsmaskinen och arbeta in enlighet med tillverkarens instruktioner.
 - h) Överfyll inte cylindrarna. (Inte mer än 80 % volym vätskeladdning).
 - i) Överskrid inte maximalt arbetstryck hos cylindern, inte ens temporärt.
 - j) När alla cylindrar har fyllts korrekt och processen är klar, se till att cylindrarna och utrustningen tas bort från anläggningen omedelbart och att alla isoleringsventiler är stängda.
 - k) Återvunnet kylmedel skall inte laddas i ett annat kylsystem såvida inte det har rengjort och kontrollerats.

10. Märkning

Utrustning skall märkas där det fastslås att den har avbrutits och tömts på kylmedel. Märkningen skall vara daterad och undertecknad. Se till att det finns märkning på utrustningen som fastställer att utrustningen innehåller antändbart kylmedel.

11. Återvinning

När kylmedel tas bort från ett system, antingen för service eller stängning rekommenderas god praxis att allt kylmedel tas bort på ett säkert sätt. Vid överföring av kylmedel till cylindrar, se till att endast lämpligt antal återvinningscylindrar för kylmedel används. Se till att tillräckligt antal cylindrar som klarar av att hålla hela systemets laddning finns tillgängliga. Alla cylindrar som skall användas är avsedda för det återvunna kylmedlet och märkt för det kylmedlet (d.v.s specialcylindrar för det återvunna kylmedlet). Cylindrar skall vara kompletta med tryckventiler och associerade avstängningsventiler som fungerar. Tomma återvinningscylindrar är tömda och, om möjligt, kyllda innan återvinningen sker. Återvinningsutrustningen skall fungera bra och ha en uppsättning med instruktioner beträffande utrustningen som används och skall vara lämplig för återvinning av brandfarliga kylmedel. Dessutom skall en uppsättning med vågar finnas tillgängliga och fungera. Slangar skall vara kompletta med läckagefria kopplingar och i god kondition. Innan återvinningsmaskinen används, kontrollera att den fungerar på ett tillfredsställande sätt, har underhållits korrekt och att alla associerade elektriska komponenter är förseglade för att förhindra antändning om kylmedel skulle läcka ut. Rådfråga tillverkaren vid tveksamheter. Det återvunna kylmedlet skall återlämnas till leverantören av kylmedlet i korrekt återvinningscylinder och relevant ordnad Waste Transfer Note (överföringsanteckning om avfall). Blanda inte kylmedel i återvinningsenheter och särskilt inte i cylindrar. Om kompressorer eller kompressorolja skall tas bort, se till att de har tömts till en acceptabel nivå för att vara säkra på att vissa brandfarliga kylmedel inte blir kvar i smörjmedlet. Tömningsprocessen skall utföras innan kompressorn returneras till leverantören. Endast elektrisk värme till kompressorn skall användas för att accelerera denna process. När oljan töms från ett system skall detta utföras på ett säkert sätt.

Kompetens hos servicepersonal

Allmänt

Specialutbildning förutom vanlig utbildning reparationsprocedurer av kylmedelsutrustning krävs när utrustning med brandfarligt kylmedel är involverat.

I många länder utförs denna utbildning av nationella utbildningsorganisationer som är ackrediterade att utbilda relevant nationell kompetensstandard som kan fastställas i lagstiftningen.

Den uppnådda kompetensen skall kunna dokumenteras med ett certifikat.

Utbildning

Utbildningen skall innehålla följande:

Information om explosionspotential för brandfarliga kylmedel för att fisa att brandfarligheten kan vara farlig när de hanteras ovarsamt.

Information om potentiella antändningskällor som inte är självklara, såsom tändare, ljusomkopplare, dammsugare, elektriska värmare.

Information om olika säkerhetskoncept:

Oventilerat – Säkerheten hos apparaten beror inte på ventilationen i höljet. Stänga av apparaten eller öppna höljet har ingen signifikant påverkan på säkerheten. Inte desto mindre är det möjligt att läckande kylmedel kan ackumuleras på insidan och brännbar atmosfär kommer att släppas ut när höljet öppnas.

Ventilerat hölje – Säkerheten hos apparaten beror på ventilationen i höljet. Stänga av apparaten eller öppna höljet har signifikant påverkan på säkerheten. Försiktighet gäller för att garantera att det finns tillräckligt ventilation.

Ventilerat rum – Säkerheten hos apparaten beror på ventilationen i rummet. Stänga av apparaten eller öppna höljet har ingen signifikant påverkan på säkerheten. Ventilationen i rummet skall inte stängas av under reparationsproceduren.

Information om konceptet med förseglade komponenter och förseglade inkapslingar i enlighet med IEC 60079-15:2010.

Information om korrekt arbetsprocedurer:

a) Igångsättning

- Se till att golvområdet är tillräckligt för kylmedelsladdning eller att ventilationsslangen är monterad på korrekt sätt.
- Anslut rören och gör ett läckagetest innan laddning med kylmedel.
- Kontrollera säkerhetsutrustningen innan enheten tas i bruk.

b) Underhåll

- Portabel utrustning skall repareras ute eller i en verkstad som är särskilt utrustad för service av enheter med brandfarliga kylmedel.
- Se till att det finns tillräcklig ventilation på reparationsplatsen.
- Var medveten om att funktionsfel hos utrustningen kan vara orsakade av förlust av kylmedel och en kylmedelsläcka kan vara möjlig.
- Ladda ur kondensatorer på ett sätt så att gnistor inte bildas. Standardproceduren för att kortsluta kondensatorers terminaler skapar vanligtvis gnistor.
- Återmontera förseglade områden korrekt. Om packningarna är slitna, byt.
- Kontrollera säkerhetsutrustningen innan enheten tas i bruk.

c) Reparation

- Portabel utrustning skall repareras ute eller i en verkstad som är särskilt utrustad för service av enheter med brandfarliga kylmedel.
- Se till att det finns tillräcklig ventilation på reparationsplatsen.
- Var medveten om att funktionsfel hos utrustningen kan vara orsakade av förlust av kylmedel och en kylmedelsläcka kan vara möjlig.
- Ladda ur kondensatorer på ett sätt så att gnistor inte bildas.
- När hårdlödning krävs skall följande procedurer utföras i rätt ordning:
 - Ta bort kylmedlet. Om återvinning inte krävs av nationella bestämmelser, töm ut kylmedlet ute. Se till att det uttömnda kylmedlet inte utgör någon fara. Vid tveksamheter skall en person skydda utloppet. Var särskilt försiktigt så att det uttömnda kylmedlet inte flyter tillbaka in i byggnaden.
 - Töm kylmedelskretsen.
 - Rensa kylmedelskretsen med nitrogen i fem minuter.
 - Töm igen.
 - Ta bort delar som skall bytas ut genom skärning, inte med lågor.
 - Rensa hårdlödningspunkten med nitrogen under hårdlödningsproceduren.

- Gör ett läckagetest innan laddning med kylmedel.
 - Återmontera förseglade områden korrekt. Om packningarna är slitna, byt.
 - Kontrollera säkerhetsutrustningen innan enheten tas i bruk.
- d) Stängning
- Om säkerheten påverkas när utrustningen tas ur drift, skall kylmedelsladdningen tas bort innan stängning.
 - Se till att det finns tillräcklig ventilation på utrustningsplatsen.
 - Var medveten om att funktionsfel hos utrustningen kan vara orsakade av förlust av kylmedel och en kylmedelsläcka kan vara möjlig.
 - Ladda ur kondensatorer på ett sätt så att gnistor inte bildas.
 - Ta bort kylmedlet. Om återvinning inte krävs av nationella bestämmelser, töm ut kylmedlet ute. Se till att det uttömnda kylmedlet inte utgör någon fara. Vid tveksamheter skall en person skydda utloppet. Var särskilt försiktigt så att det uttömnda kylmedlet inte flyter tillbaka in i byggnaden.
 - Töm kylmedelskretsen.
 - Rensa kylmedelskretsen med nitrogen i fem minuter.
 - Töm igen.
 - Fyll på med nitrogen upp till atmosfäriskt tryck.
 - Markera på utrustningen att kylmedlet har tagits bort.
- e) Avyttring
- Se till att det finns tillräcklig ventilation på arbetsplatsen.
 - Ta bort kylmedlet. Om återvinning inte krävs av nationella bestämmelser, töm ut kylmedlet ute. Se till att det uttömnda kylmedlet inte utgör någon fara. Vid tveksamheter skall en person skydda utloppet. Var särskilt försiktigt så att det uttömnda kylmedlet inte flyter tillbaka in i byggnaden.
 - Töm kylmedelskretsen.
 - Rensa kylmedelskretsen med nitrogen i fem minuter.
 - Töm igen.
 - Ta bort kompressorn och töm ut oljan.

Transport, märkning och förvaring av enheter som använder brandfarliga kylmedel

Transport av utrustning som innehåller brandfarliga kylmedel

Uppmärksamma att det kan finnas ytterligare transportbestämmelser med tanke på att utrustningen innehåller brännbara gaser. Maximalt antal delar av utrustningen eller konfiguration av utrustningen som tillåts att transporteras tillsammans avgörs av de tillämpliga transportbestämmelserna.

Märkning av utrustningen med skyltar

Skyltar för liknande apparater som används i arbetsområden styrs av lokala bestämmelser och ger minimikraven för ombesörjande av säkerheten och/eller hälsoskyltar för arbetsplatsen.

Alla skyltar som krävs skall bibehållas och anställda skall se till att anställda får lämpliga och tillräckliga instruktioner och utbildning i betydelsen av lämpliga säkerhetsskyltar och att åtgärder skall vidtas i anslutning till dessa skyltar.

Effektiviteten hos skyltarna skall inte döljas av att alltför många skyltar placeras tillsammans.

Alla piktogram som används skall vara så enkla som möjligt och endast innehålla väsentliga detaljer.

Avyttring av utrustning som innehåller brandfarliga kylmedel

Se nationella bestämmelser.

Förvaring av utrustning/apparater

Förvaring av utrustningen skall ske i enlighet med tillverkarens instruktioner.

Förvaring av förpackad (osåld) utrustning

Den förpackningens skydd skall vara konstruerat så att mekaniska skador på utrustningen inuti förpackningen inte orsakar läckage av kylmedelsladdningen.

Maximalt antal delar utrustningen som tillåts att förvaras tillsammans avgörs av lokala bestämmelser.

Van harte bedankt voor de aankoop van ons product. Gelieve deze handleiding en instructies aandachtig te lezen alvorens gebruik, om er zeker van te zijn dat u het product correct gebruikt.

BELANGRIJKE INSTRUCTIES

Als u elektrische toestellen gebruikt, dient u altijd de basisvoorzorgsmaatregelen op te volgen om het risico op brand, elektrische schokken, brandwonden en andere verwondingen te verkleinen.

1. Lees en bewaar deze gebruiksaanwijzing. Opgelet: de afbeeldingen in de gebruiksaanwijzing zijn louter indicatief.
2. Dit toestel mag gebruikt worden door kinderen vanaf de leeftijd van 8 jaar en door personen met verminderde fysieke, zintuiglijke of mentale capaciteiten of met gebrek aan ervaring of kennis, indien zij onder het toezicht staan of gebruiksinstructies voor het veilig gebruik van dit toestel gekregen hebben en de mogelijke gevaren begrijpen.
3. Kinderen mogen niet met dit toestel spelen.
4. Kinderen die niet onder toezicht staan, mogen dit apparaat niet reinigen of onderhouden.
5. Als het stroomsnoer beschadigd is, dan moet het vervangen worden door de fabrikant, diens dealer of een gekwalificeerde technicus om risico's te voorkomen.
6. Dit apparaat is uitsluitend bestemd voor binnenshuis gebruik.
7. Gebruik het toestel niet in de buurt van een vuurbron, in een zone waar olie kan opspatten, stel het niet bloot aan direct zonlicht en plaats het niet in een zone waar water kan opspatten, zoals in de buurt van een badkuip, douche of een zwembad, of in een wasruimte.

8. Steek nooit uw vingers of een stang in de luchtinlaat. Licht kinderen altijd over deze gevaren in.
9. Houd het toestel rechtop tijdens transport en opslag zodat de compressor niet wordt beschadigd.
10. Voordat u het toestel reinigt of verplaatst, schakel het altijd uit en haal de stekker uit het stopcontact.
11. Om brandgevaar te vermijden, dek het toestel nooit af.
12. Zorg dat het gebruikte stopcontact in overeenstemming is met de lokale voorschriften inzake elektrische veiligheid. Indien nodig, raadpleeg de voorschriften.
13. Installeer het apparaat in overeenstemming met de nationale bedradingsvoorschriften.
14. Details over het type en de waarde van de zekeringen: T, 250V AC, 3,15A.
15. Neem contact op met een bekwame onderhoudstechnicus om dit toestel te repareren of te onderhouden.
16. Niet aan het snoer trekken, het vervormen of aanpassen, of het in water dompelen. Aan het snoer trekken of het verkeerd gebruiken kan schade aan het apparaat en een elektrische schok veroorzaken.
17. Leef de nationale gasverordeningen altijd na.
18. Reparaties mogen alleen worden uitgevoerd zoals aanbevolen door de fabrikant van het apparaat. Onderhoud en reparatie die de hulp van ander opgeleid personeel vereisen, moeten worden uitgevoerd onder het toezicht van een persoon die weet hoe brandbare koudemiddelen te gebruiken.
19. Start of stop het toestel niet door de stekker in het stopcontact te steken of eruit te trekken. Het kan een elektrische schok of brand veroorzaken als gevolg van de overmatige generatie van hitte.
20. Haal de stekker uit het stopcontact als u een ongewoon geluid, geur of rook waarneemt.
21. Sluit dit apparaat altijd aan op een geaard stopcontact.

22. Als het toestel beschadigd is, schakel het toestel uit, haal de stekker uit het stopcontact en neem contact op met een erkend servicecentrum voor reparatie.
23. Gebruik geen middelen die het ontdooiproces versnellen of reinigingsmiddelen, tenzij deze die door de fabrikant zijn aanbevolen.
24. Berg het apparaat op in een ruimte zonder continu werkende ontstekingsbronnen (bijv. een open vlam, ingeschakeld gastoestel of een ingeschakeld elektrisch verwarmingstoestel).
25. Niet doorboren of verbranden.
26. Opgelet, bepaalde koudemiddelen zijn geurloos.
27. Dit apparaat bevat het koudemiddel R290. R290 is een koelgas dat in overeenstemming is met de Europese milieurichtlijnen. Doorboor geen enkel deel van het koelcircuit.
28. Als het apparaat wordt geïnstalleerd, bediend of bewaard in een ruimte zonder ventilatie, moet de ruimte aldus zijn ingericht dat de ophoping van koudemiddel door een lek wordt vermeden. Dit kan leiden tot brand- of explosiegevaar door het ontsteken van het koudemiddel door een elektrisch verwarmingstoestel, fornuis of andere ontstekingsbron.
29. Bewaar het apparaat op een dergelijke wijze zodat mechanische storing wordt vermeden.
30. Personen die het koelcircuit bedienen of er aan werken, moeten in het bezit zijn van een gepast certificaat van een bevoegde organisatie, zodat deze personen bevoegd zijn om koudemiddelen op een veilige manier te behandelen overeenkomstig de specificaties die in de industrie van kracht zijn.
31. Reparaties mogen alleen worden uitgevoerd zoals aanbevolen door de fabrikant van het apparaat. Onderhoud en reparatie die de hulp van ander opgeleid personeel vereisen, moeten worden uitgevoerd onder

het toezicht van een persoon die weet hoe brandbare koudemiddelen te gebruiken.

32. Voor instructies voor het repareren van apparaten die R290 bevatten, raadpleeg onderstaande paragrafen.
33. Laat het apparaat altijd minstens 2 uur met rust nadat het naar een andere ruimte is gebracht.



Waarschuwing: Brandgevaar / ontvlambare materialen.



Lees de gebruikershandleidingen.



Gebruiksaanwijzing; gebruiksinstructies.



Service-indicator; lees de technische handleiding.

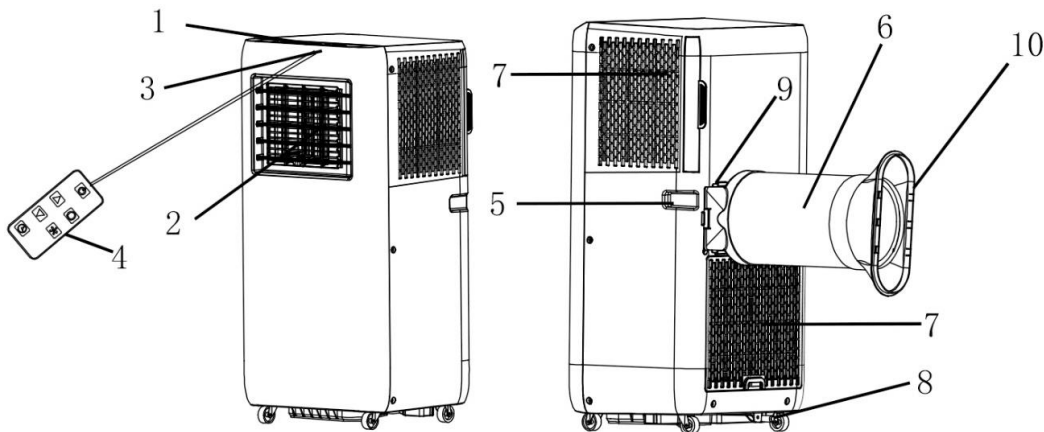
Waarschuwing: Houd de ventilatieopeningen vrij.

Waarschuwing: Berg het apparaat op in een goed geventileerde ruimte waarbij de grootte van de kamer overeenstemt met het oppervlak dat is aangegeven.

De vrije ruimte rondom het toestel moet minstens 30 cm bedragen.

Installeer, gebruik en bewaar het apparaat in een ruimte met een vloeroppervlak van minstens 4 m².

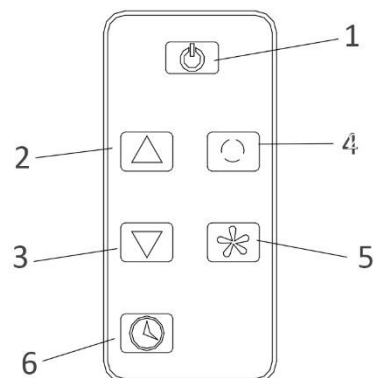
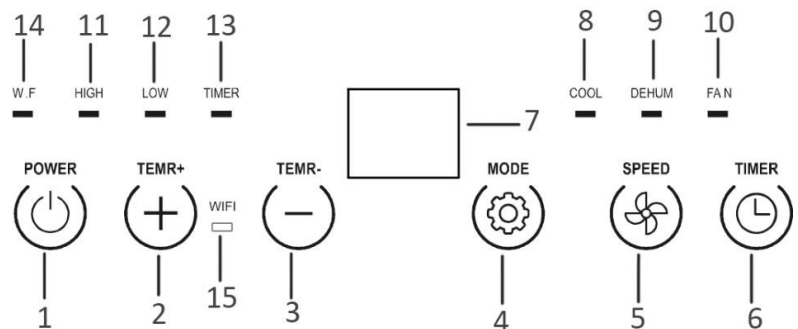
BESCHRIJVING VAN DE ONDERDELEN



1. Bedieningspaneel
2. Luchtuitlaat en lamellen
3. Signaalontvanger
4. Afstandsbediening
5. Handgreep
6. Luchtuitlaatslang
7. Luchtinlaat en luchtfilter
8. Afvoerklap (afgesloten met een stop)
9. Slangaansluitstuk
10. Raamadapter

Bedieningspaneel

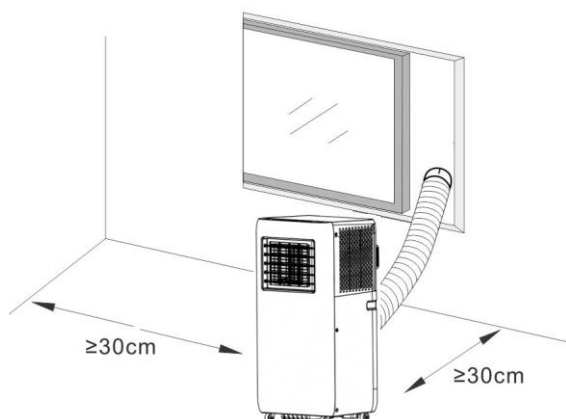
1. Aan/uit-knop
2. Temperatuur/timer verhogen-knop
3. Temperatuur/timer verlagen-knop
4. Modus-knop
5. Ventilatorsnelheid-knop
6. Timer-knop
7. Digitaal scherm
8. Koelmodus-controlelampje
9. Ontvochtigingsmodus-controlelampje
10. Ventilatormodus-controlelampje
11. Hoge snelheid-controlelampje
12. Lage snelheid-controlelampje
13. Timer-controlelampje
14. Waterreservoir vol-controlelampje
15. WIFI-controlelampje



Dit toestel is voorzien van een afstandsbediening. De afstandsbediening is reeds uitgerust met één CR2025 batterij. Voordat de afstandsbediening wordt gebruikt, verwijder de plastic bescherming van de batterij. Als de batterij aan vervanging toe is, raadpleeg de instructies op de achterkant van de afstandsbediening. Als u denkt de afstandsbediening langere tijd niet te gebruiken, haal de batterij uit. Knoopcel batterijen buiten bereik van kleine kinderen houden.

INSTALLATIE

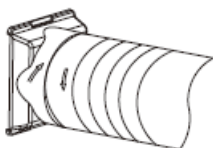
- Installeer het toestel op een vlakke ondergrond waar de luchtuitlaat niet belemmerd kan worden. Zorg voor een vrije ruimte van minstens 30 cm rondom het toestel.



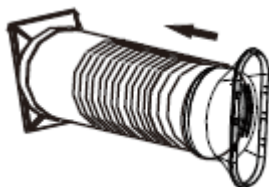
- Installeer het toestel niet in een wasruimte.
- Verleng de luchtuitlaatslang door beide uiteinden van de slang uit te trekken.



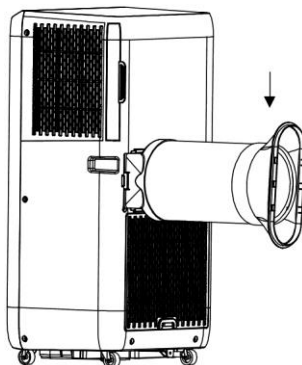
- Schroef de luchtuitlaatslang vast aan het slangaansluitstuk.



- Schroef het ander uiteinde van de luchtuitlaatslang vast aan de raamadapter.



- Steek het slangaansluitstuk in de beugel aan de achterkant van het toestel.



WERKING

*Laat het apparaat altijd minstens 2 uur rusten nadat het naar een andere ruimte is gebracht.

Voor gebruik, controleer of de uitlaatslang juist is aangebracht. Steek de stekker in het stopcontact. De luchtgleuven zijn handmatig te verstellen.

1. Aan/uit-knop

Druk op de aan/uit-knop om het apparaat in te schakelen. Het apparaat treedt in werking.

Druk opnieuw op de knop en het apparaat wordt uitgeschakeld.

2. Temperatuur/timer verhogen-knop en Temperatuur/timer verlagen-knop

Druk op de knop “+”/“-” op het bedieningspaneel of “▲”/“▼” op de afstandsbediening om de gewenste kamertemperatuur tussen 15°C en 31°C in te stellen. De knoppen kunnen tevens worden gebruikt om de timer in te stellen. De waarde wordt bij elke druk op de knop met 1 (°C/uur) verhoogd of verlaagd.

3. Ventilatorsnelheid-knop

Druk op de ventilatorsnelheid-knop om de ventilatorsnelheid op laag of hoog in te stellen. Het overeenkomstig “LOW”/“HIGH” controlelampje zal branden.

4. Modusknop

Druk op de modus-knop om uw gewenste werkingsmodus in te stellen. U kunt kiezen uit COOL (koelen), DEHUM (ontvochtigen) en FAN (ventilator). Het overeenkomstig controlelampje brandt wanneer de specifieke modus is geselecteerd.

- Koelmodus

Wanneer de kamertemperatuur hoger dan de ingestelde temperatuur is, wordt de compressor ingeschakeld.

Wanneer de kamertemperatuur lager dan de ingestelde temperatuur is, stopt de compressor en werkt de ventilator op de oorspronkelijk ingestelde snelheid.

Opmerking: Als de compressor in werking is, zal het toestel lichtjes trillen. Dit is normaal en is onschadelijk.

- Ontvochtigingsmodus

In de ontvochtigingsmodus werkt de ventilator op een lage snelheid. De ventilator en temperatuur kunnen niet worden aangepast.

De compressor stopt na 8 minuten en wordt na 6 minuten opnieuw ingeschakeld. Deze cyclus wordt herhaald.

- Ventilatormodus

Wanneer de ventilator op de ingestelde snelheid draait, zal de compressor niet werken.

De temperatuur in de ventilatormodus aanpassen heeft geen enkele impact.

5. Timer-knop

Automatisch AAN-instelling

- Wanneer het apparaat is uitgeschakeld, druk op de timer-knop en het timer-controlelampje zal knipperen.
- Druk op de timer verhogen of verlagen-knop om een gewenste Automatisch AAN-tijd tussen 1 en 24 uur in te stellen. Het timer-controlelampje knippert gedurende enkele seconden en brandt vervolgens continu. Het digitaal scherm is uitgeschakeld. De timer-instelling is bevestigd.
- U kunt op hetzelfde moment de ventilatorsnelheid of -modus kiezen.
- Het apparaat wordt automatisch ingeschakeld zodra de ingestelde tijd is verstreken.

Automatisch UIT-instelling

- Wanneer het apparaat is ingeschakeld, druk op de timer-knop en het timer-controlelampje zal knipperen.
- Druk op de timer verhogen of verlagen-knop om een gewenste Automatisch UIT-tijd tussen 1 en 24 uur in te stellen. Het timer-controlelampje knippert gedurende enkele seconden en brandt vervolgens continu. De timer-instelling is bevestigd.
- Het apparaat wordt automatisch uitgeschakeld zodra de ingestelde tijd is verstreken.

Om de timer te annuleren, druk op de timerknop. Wanneer het timer-controlelampje knippert, druk opnieuw op de timerknop. Het timer-controlelampje dooft vervolgens.

OPMERKING:

- De beveiliging kan worden geactiveerd en het apparaat doen stoppen wanneer een van de volgende omstandigheden zich voordoet:

Koelen	Kamertemperatuur is hoger dan 43°C.
	Kamertemperatuur is lager dan 15°C.
Ontvochtigen	Kamertemperatuur is lager dan 15°C.

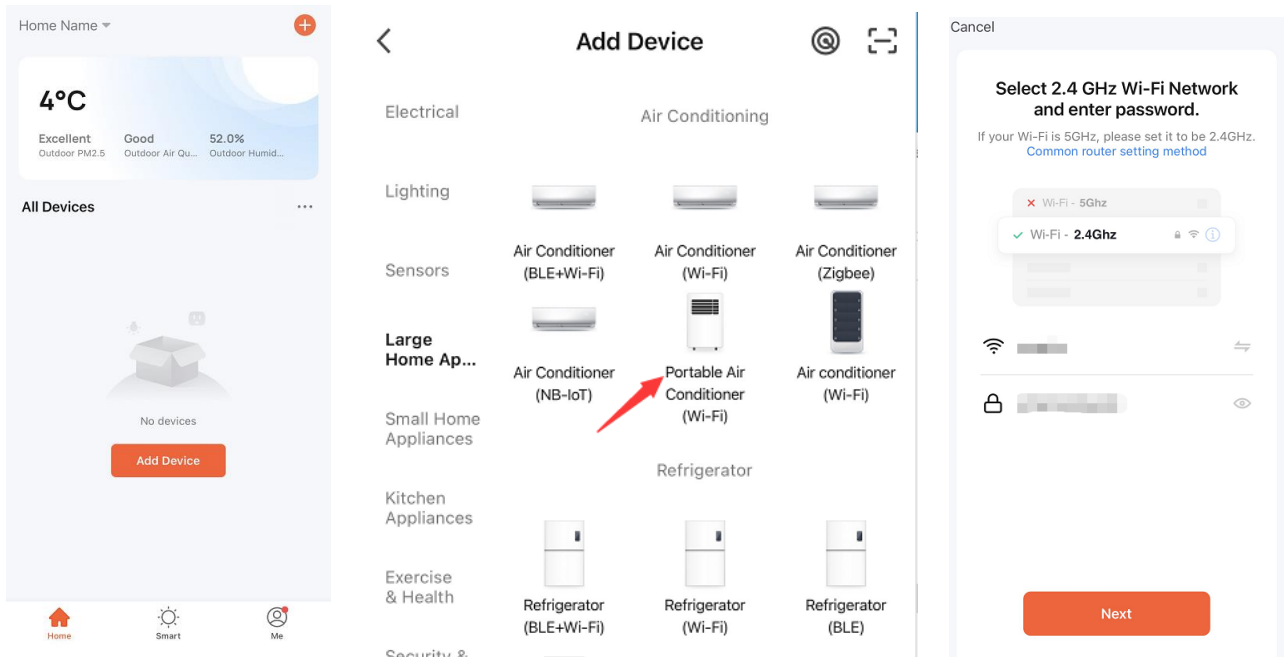
- Als het apparaat langdurig in een de koel- of droogmodus werkt met een open deur of room en de relatieve vochtigheidsgraad is hoger dan 80%, kan er water uit de luchtuitlaat druppelen.

Water afvoeren

- 1) Speciale herinnering: Dit apparaat bevat intern condenswater dat wordt gerecycled. Het condenswater wordt zowel door de condensator gerecycled als in de waterbak opgevangen. Wanneer het waterpeil het maximum niveau bereikt, verschijnt de reservoir vol-code „E4“ op het digitaal scherm als herinnering om het water af te voeren.
- 2) Haal de stekker uit het stopcontact, breng het apparaat naar een geschikte plaats en trek de stop uit de afvoerklep om al het water af te voeren. Als de omstandigheden het toelaten kunt u tevens een afvoerslang op de afvoerklep aansluiten om het water af te voeren.
- 3) Wanneer al het water is afgevoerd, steek de stop opnieuw in de afvoerklep om het lekken van het apparaat en het nat worden van uw ruimte te vermijden.

Wi-Fi-verbindingshandleiding (De handleiding voor de APP kan niet volledig zijn bijgewerkt omwille van een upgrade van de softwareversie of een andere reden. Deze instructie wordt alleen als richtlijn gebruikt.):

1. Zoek naar “Tuya smart” in App Store (voor iOS) of Google Play (voor Android) en download de app “Tuya Smart” naar uw telefoon. Meld u aan of log in op uw account van Tuya.
2. Zorg ervoor dat uw apparaat in stand-by staat. Druk lang op de modusknop totdat u een pieptoon hoort. Het WIFI-controlelampje knippert snel.
3. Druk op “+” in de rechterbovenhoek of op de knop “Apparaat toevoegen” op de homepagina van Tuya om uw apparaat toe te voegen.
4. Zoek naar de categorie "Draagbare airconditioner". Druk op het pictogram en u krijgt de melding om het 2.4GHz Wi-Fi-netwerk te gebruiken. Opgelet, het 5 GHz Wi-Fi-netwerk wordt niet door deze app ondersteund.
5. Voer uw Wi-Fi-wachtwoord in en maak een verbinding met Wi-Fi. Controleer of het WIFI-controlelampje snel knippert, druk op "Volgende", de applicatie zal het apparaat scannen en toevoegen.



6. Zodra het apparaat succesvol is toegevoegd, brandt het WIFI-controlelampje continu.
7. U kunt de APP nu gebruiken om het apparaat te bedienen.

Opmerking:

- Druk op de modusknop in de APP en u krijgt "Cool, Dry and Fan" te zien. De Droogmodus is hetzelfde als de ontvochtigingsmodus.
- Raak de temperatuurweergave aan om tussen graden Fahrenheit en Celsius te schakelen.
- Wanneer de netwerkomgeving voor het apparaat gewijzigd is, moet het opnieuw geconfigureerd worden.
- U kunt de WIFI-functie in-/uitschakelen door lang op de modusknop van de afstandsbediening te drukken wanneer het apparaat in stand-by staat. Wanneer het WIFI-controlelampje snel knippert, wacht het apparaat om gekoppeld te worden. Wanneer het WIFI-controlelampje continu brandt, is de Wi-Fi-verbinding tot stand gebracht. Wanneer het WIFI-controlelampje dooft, is WIFI uitgeschakeld.

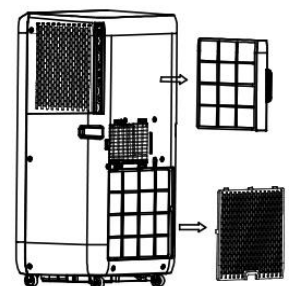
REINIGING EN ONDERHOUD

- Haal de stekker uit het stopcontact voordat u het apparaat reinigt.
- Maak het apparaat niet schoon met benzine of een andere chemische stof.
- Dompel het apparaat niet onder.
- Als het apparaat beschadigd is, neem contact op met uw handelaar of een erkend servicecentrum.

Luchtfilter

Maak de luchtfilters iedere twee weken schoon om verstopping door stof en vuil te vermijden.

- Trek de luchtfilters via het lipje uit.
- Maak de luchtfilter schoon met een neutraal reinigingsmiddel in lauw water (< 40°C) en laat het in de schaduw drogen.
- Breng de luchtfilter opnieuw aan.



De buitenkant schoonmaken

Maak de buitenkant schoon met een neutraal reinigingsmiddel en een natte doek en voeg het vervolgens droog met een droge doek.

PROBLEEMOPLOSSING

De volgende gevallen hoeven niet altijd een storing te zijn. Raadpleeg de onderstaande aanbevelingen voordat u contact opneemt met het servicecentrum.

Probleem	Analyse
Apparaat werkt niet	<ul style="list-style-type: none">Als de beveiliging is geactiveerd of de zekering is doorgeslagen.Wacht 3 minuten en schakel het apparaat opnieuw in, de beveiliging kan de werking van het apparaat verhinderen.Als de batterijen in de afstandsbediening leeg zijn.Als de stekker niet goed in het stopcontact zit.
Het apparaat werkt, maar kortstondig.	<ul style="list-style-type: none">Als de ingestelde temperatuur zich in de buurt van de kamertemperatuur bevindt, kunt u de ingestelde temperatuur verlagen.De luchtuitlaat is verstopt. Verwijder de verstopping.
Water lekt tijdens het verplaatsen	<ul style="list-style-type: none">Voer het condensaat af voordat u het apparaat verplaatst.Plaats het apparaat op een vlakke ondergrond om het lekken van water te vermijden.
Apparaat werkt niet en water vol-controlelampje "E4" brandt	<ul style="list-style-type: none">Trek de rubberen plug uit om het water af te voeren.Als het apparaat zich vaak in deze status bevindt, neem dan contact op met een gekwalificeerd servicecentrum.
Apparaat stopt automatisch	<ul style="list-style-type: none">Timer is verstrekenDe ingestelde temperatuur is bereikt

TECHNISCHE GEGEVENS

Onderstaande gegevens zijn voor uw operationele referentie

Model	PAC-127277
Nominale spanning	220-240V
Nominale frequentie	50Hz
Nominale invoer	750W
Nominale stroom	3.4A
Koelvermogen	7000BTU
Vochtverwijdering (L/U)	0.8
Luchtstroom	270m ³ /h
Maximaal zendvermogen	18,2 dBm
Frequentiebereik	2412-2472MHz

Wij, van Emerio, verklaren onder onze eigen verantwoordelijkheid dat het product: PAC-127277 in overeenstemming is met de essentiële voorschriften en andere desbetreffende voorschriften van de RED-richtlijn (2014/53/EU).

De volledige CE-verklaring is beschikbaar op het volgende adres: www.emerio.eu

ERP-INFORMATIE

	Waarde
Handelsmerk	Emerio
Identificatie van model	PAC-127277
Geluidsvermogen (koeling)	64dB(A)
Naam van koudemiddel	R290
Nominaal opgenomen vermogen voor koeling (kW)	0.755
Nominale energie-efficiëntieverhouding	2.7
GWP (kgCO ₂ eq)	3
Energie-efficiëntieklasse	A
Energieverbruik voor apparaten met twee leidingen (kWh/h)	-
Energieverbruik voor apparaten met één leiding (kWh/h)	0.755

Stroomverbruik in thermostaat uit-modus (W)	-																
Stroomverbruik in stand-bymodus (W)	0.85																
Koelvermogen	7000BTU																
<p>Het lekken van koudemiddel draagt bij tot klimaatverandering. Koudemiddel van een lager aardopwarmingspotentieel (GWP) draagt in mindere mate bij tot de opwarming van de aarde dan een koudemiddel met een hogere GWP wanneer deze in de atmosfeer terechtkomt. Dit apparaat bevat een koudemiddel met een GWP van 3. Dit betekent dat als 1 kg van dit koudemiddel in de atmosfeer zou terechtkomen, de impact op de opwarming van de aarde 3 keer groter zou zijn dan 1 kg CO₂, over een periode van 100 jaar. Pas het koelcircuit nooit zelf aan of haal het product niet zelf uit elkaar, laat dit altijd aan een deskundige over.</p> <p>#Energieverbruik van 0.755 kWh voor model PAC-127277 bij 60 minuten van gebruik onder standaard testomstandigheden. Het werkelijk energieverbruik is afhankelijk van de gebruikswijze van het apparaat en waar het is geplaatst.</p> <p>Voor meer informatie kunt u contact opnemen met:</p> <table border="0"> <tr> <td>Emerio B.V.</td> <td>Customer service:</td> <td>Kundeninformation:</td> <td>Klantenservice:</td> </tr> <tr> <td>Zomervaart 1A</td> <td>T: +31 (0) 23 3034369</td> <td>T: +49 (0) 3222 1097 600</td> <td>T: +31 (0) 23 3034369</td> </tr> <tr> <td>2033 DA Haarlem</td> <td>E: info@emerio.eu</td> <td>E: info.de@emerio.eu</td> <td>E: info.nl@emerio.eu</td> </tr> <tr> <td>The Netherlands</td> <td></td> <td></td> <td></td> </tr> </table>		Emerio B.V.	Customer service:	Kundeninformation:	Klantenservice:	Zomervaart 1A	T: +31 (0) 23 3034369	T: +49 (0) 3222 1097 600	T: +31 (0) 23 3034369	2033 DA Haarlem	E: info@emerio.eu	E: info.de@emerio.eu	E: info.nl@emerio.eu	The Netherlands			
Emerio B.V.	Customer service:	Kundeninformation:	Klantenservice:														
Zomervaart 1A	T: +31 (0) 23 3034369	T: +49 (0) 3222 1097 600	T: +31 (0) 23 3034369														
2033 DA Haarlem	E: info@emerio.eu	E: info.de@emerio.eu	E: info.nl@emerio.eu														
The Netherlands																	

GARANTIE EN KLANTENSERVICE

Vóór de levering worden onze apparaten streng gecontroleerd. Indien het toestel ondanks alle zorg bij de productie of tijdens het transport beschadigd werd, moet u het naar de handelaar terugbrengen. Naast het wettelijke recht op waarborg heeft de klant recht op de volgende garantieclaim:

Wij geven een garantie van 2 jaar op het toestel, te beginnen met de koopdatum. Indien u een defect product heeft, kunt u rechtstreeks terug gaan naar het aankooppunt.

Gebreken die het gevolg zijn van ondeskundig gebruik van het toestel, fouten tijdens ingrepen en reparaties door derden of door de inbouw van vreemde onderdelen, vallen niet onder deze garantie. Bewaar altijd uw aankoopnota, zonder aankoopnota kunt u geen aanspraak maken op enige vorm van garantie. Bij schade veroorzaakt door het niet opvolgen van de gebruiksaanwijzing vervalt het recht op garantie. Voor vervolgschade die hieruit ontstaat kunnen wij niet verantwoordelijk gehouden worden. Voor materiële schade of persoonlijk letsel veroorzaakt door ondeskundig gebruik of het niet opvolgen van de veiligheidsvoorschriften zijn wij niet aansprakelijk. In dergelijke gevallen vervalt iedere aanspraak op garantie. Schade aan accessoires of onderdelen betekend niet dat het gehele apparaat zal worden vervangen. Afgebroken glazen of kunststof onderdelen of accessoires vallen niet onder de garantie en zullen tegen vergoeding vervangen kunnen worden. Defecten aan hulpstukken of aan slijtage onderhevige onderdelen, alsmede reiniging, onderhoud of de vervanging van slijtende delen vallen niet onder de garantie en zullen dus in rekening gebracht worden.

MILIEUVRIENDELIJKE AFVALVERWERKING



Recycling – Europese Richtlijn 2012/19/EU

Deze markering betekent dat dit product niet samen met ander huishoudelijk afval mag worden afgedankt. Om het milieu en de volksgezondheid niet in gevaar te brengen en het hergebruik van grondstoffen te bevorderen, moet dit product op verantwoorde wijze worden afgevoerd. Lever verbruikte apparatuur a.u.b. in bij de hiervoor bestemde inzamelpunten of bij de winkel waar het product was aangeschaft. Zij zullen dit product accepteren voor milieuvriendelijke afvalverwerking.



**RECYCLE OF GOOI DE BATTERIJ OP EEN JUISTE MANIER WEG. NIET OPENEN. NIET IN
VUUR GOOIEN OF KORTSLUITEN.**

Emerio B.V.
Zomervaart 1A
2033 DA Haarlem
The Netherlands

Customer service:
T: +31 (0) 23 3034369
E: info@emerio.eu

Kundeninformation:
T: +49 (0) 3222 1097 600
E: info.de@emerio.eu

Klantenservice:
T: +31 (0) 23 3034369
E: info.nl@emerio.eu

INSTRUCTIES VOOR HET REPAREREN VAN APPARATEN DIE R290 BEVATTEN

1. Reparaties

1) Controle van de bedrijfsruimte

Voordat er kan worden gewerkt aan systemen die ontvlambare koudemiddelen bevatten, moeten er veiligheidscontroles worden uitgevoerd om het risico op ontsteking tot een minimum te beperken. De volgende voorzorgsmaatregelen dienen in acht te worden genomen voordat er reparaties aan het koelsysteem kunnen worden uitgevoerd.

2) Werkprocedure

De werkzaamheden moeten volgens een gecontroleerde procedure worden uitgevoerd om het risico op de aanwezigheid van een ontvlambaar gas of een ontvlambare damp tijdens de werkzaamheden tot een minimum te beperken.

3) Algemene werkomgeving

Al het onderhoudspersoneel en alle overige personen in de werkomgeving moeten worden geïnformeerd over de aard van de werkzaamheden die worden uitgevoerd. Werkzaamheden in besloten ruimtes moeten worden voorkomen. Het gebied rond de werkomgeving moet worden afgesloten. Zorg ervoor dat er veilig in de werkomgeving kan worden gewerkt door het te controleren op de aanwezigheid van ontvlambare stoffen.

4) Controleren op de aanwezigheid van koudemiddel

De omgeving moet voor en tijdens de werkzaamheden worden gecontroleerd met een gepaste koudemiddeldetector, zodat de technicus weet of er ontvlambare stoffen aanwezig zijn. Zorg ervoor dat de apparatuur voor lekdetectie geschikt is voor detectie van ontvlambare koudemiddelen, d.w.z. geen vonken afgeeft, goed is afgedicht en intrinsiek veilig is.

5) Aanwezigheid van een brandblusser

Als er hete werkzaamheden aan de koelapparatuur of bijbehorende onderdelen moeten worden verricht, moet er geschikte blusapparatuur aanwezig zijn. Zorg dat er een CO₂- of poederblusser in de buurt van de werkomgeving aanwezig is.

6) Geen ontstekingsbronnen

Geen enkele persoon die aan een koelsysteem werkzaamheden verricht waarbij leidingen worden blootgelegd die ontvlambaar koudemiddel bevatten of hebben bevat, mag ontstekingsbronnen op zo'n manier gebruiken dat deze een brand- of explosiegevaar vormt. Alle mogelijke ontstekingsbronnen, waaronder brandende sigaretten, moeten uit de buurt van de ruimte waar het apparaat wordt geïnstalleerd, gerepareerd, verwijderd of afgedankt worden gehouden aangezien ontvlambaar koudemiddel vrij kan komen. Vóór het begin van de werkzaamheden moet het gebied rond de apparatuur worden gecontroleerd op de aanwezigheid van ontbrandingsgevaaren en ontstekingsrisico's. Er moeten borden worden geplaatst met de tekst "Niet roken".

7) Geventileerde omgeving

Zorg ervoor dat de werkomgeving in de buitenlucht is of voldoende wordt geventileerd, voordat het systeem wordt geopend of hete werkzaamheden worden verricht. Tijdens de werkzaamheden moet er voortdurend ventilatie zijn. De ventilatie moet ervoor zorgen dat vrijgekomen koudemiddel wordt verspreid en bij voorkeur wordt afgegeven naar de buitenlucht.

8) Controle van de koelapparatuur

Bij het vervangen van elektrische componenten moeten componenten worden gebruikt die geschikt zijn voor het doel en die de juiste specificaties hebben. Volg altijd de onderhouds- en reparatierichtlijnen van de fabrikant. In geval van twijfel, neem contact op met de technische dienst van de fabrikant.

Voer de volgende controles uit op installaties die brandbaar koudemiddel gebruiken:

- De hoeveelheid koudemiddel moet in overeenstemming zijn met de omvang van de ruimte waarin de apparatuur met koudemiddel wordt geplaatst;
- De ventilatieapparatuur en -uitlaten werken naar behoren en worden niet geblokkeerd;

- Als een indirect koelcircuit wordt gebruikt, controleer het secundaire circuit op de aanwezigheid van koudemiddel;
- De markering op het apparaat moeten goed zichtbaar en leesbaar zijn. Markeringen en tekens die niet leesbaar zijn moeten worden vervangen;
- Installeer koelleidingen of onderdelen van het koelcircuit in een positie waar ze niet blootgesteld kunnen worden aan stoffen die de onderdelen die het koudemiddel bevatten kunnen corroderen, tenzij deze onderdelen van een materiaal zijn gemaakt die corrosiebestendig zijn of gepast tegen corrosie zijn beschermd.

9) Controle van elektrische apparatuur

Als onderdeel van reparatie- en onderhoudswerkzaamheden aan elektrische componenten moeten vooraf veiligheidscontroles worden uitgevoerd en moeten de componenten worden geïnspecteerd. Als een defect wordt geconstateerd dat de veiligheid in gevaar kan brengen, mag er geen stroomtoevoer op het circuit worden aangesloten, voordat het defect adequaat is verholpen. Als het defect niet direct kan worden verholpen, maar de bedrijfswerkzaamheden niet langer kunnen worden onderbroken, moet er een adequate en tijdelijke oplossing worden gevonden. Van deze tijdelijke oplossing moet melding worden gemaakt bij de eigenaar van het apparaat, zodat alle partijen op de hoogte zijn. Tot de initiële veiligheidscontroles behoren:

- De condensatoren moeten worden ontladen: dit moet op een veilige manier worden gedaan om de mogelijkheid op vonken te voorkomen;
- Er mogen geen actieve elektrische componenten en draden blootliggen tijdens het opladen, herstellen of spoelen van het systeem;
- Het systeem moet continu geaard zijn.

2. Reparaties op de afgedichte onderdelen

1) Tijdens de reparatie van afgedichte componenten moet alle stroomtoevoer worden ontkoppeld van het apparaat waaraan wordt gewerkt, voordat afdichtingen mogen worden verwijderd. Indien het absoluut noodzakelijk is dat er tijdens onderhoudswerkzaamheden stroomtoevoer naar het apparaat is, moet er een permanent werkende lekdetector worden geplaatst op het meest kritieke punt, zodat deze kan waarschuwen als er een gevaarlijke situatie optreedt.

2) Op de volgende punten moet bijzonder goed worden gelet om te voorkomen dat de behuizing van elektrische componenten tijdens werkzaamheden zijn beschermende functie niet verliest. Hiertoe behoort schade aan kabels, te veel aansluitingen, terminals die niet voldoen aan de oorspronkelijke specificaties, schade aan afdichtingen, niet goed passende wartels, enz.

Zorg dat het apparaat op een juiste manier in elkaar is gezet. Zorg dat de afdichtingen of het afdichtingsmateriaal niet zijn versleten om indringing van brandbare stoffen te vermijden. De reserveonderdelen moeten in overeenstemming zijn met de specificaties van de fabrikant.

OPMERKING: Het gebruik van een silicone afdichtmiddel kan een impact hebben op de juiste werking van bepaalde lekdetectieapparatuur. Intrinsieke veilige onderdelen moeten niet eerst worden geïsoleerd alvorens er werkzaamheden op uit te voeren.

3. Reparatie van intrinsiek veilige componenten

Stel het circuit niet bloot aan permanente inductie- of condensatorbelasting zonder van tevoren te controleren of deze belasting de toegestane spanning en stroomsterkte van het apparaat niet overschrijdt. Intrinsiek veilige componenten zijn de enige componenten waaraan kan worden gewerkt als er stroom op staat en er ontvlambare gassen of dampen aanwezig zijn. Het testapparaat moet aan de specificaties voldoen. Vervang de componenten alleen met door de fabrikant gespecificeerde componenten. Andere onderdelen kunnen het koudemiddel in brand steken wanneer er een lek aanwezig is.

4. Bekabeling

Controleer of de bekabeling niet onderhevig is aan slijtage, corrosie, overmatige druk, trillingen, scherpe randen of andere nadelige factoren in de bedrijfsomgeving. Houd tevens rekening met de effecten van veroudering en de continue trillingen van bronnen als compressors en ventilatoren.

5. Detectie van ontvlambaar koudemiddel

Onder geen enkele omstandigheid mogen er ontstekingsbronnen worden gebruikt voor het zoeken naar of detecteren van lekkend koudemiddel. Er mogen geen lekzoeklampen (of andere detectoren met een open vlam) worden gebruikt.

6. Methodes voor lekdetectie

De volgende lekdetectiemethodes zijn geschikt bevonden voor systemen die ontvlambaar koudemiddel bevatten.

Elektronische lekdetectoren kunnen worden gebruikt voor het detecteren van brandbare koudemiddelen. De gevoeligheid kan echter ongepast zijn of herkalibratie kan nodig zijn. (Kalibreer de detectieapparatuur in een gebied zonder koudemiddel). Zorg dat de detector geen potentiële ontstekingsbron is en voor het gebruikte koudemiddel gepast is. Stel de lekdetectieapparatuur in op een percentage van de LFL van het koudemiddel en kalibreer het volgens het gebruikte koudemiddel en de gepaste gaspercentage (maximum 25%). Lekdetectievloeistoffen zijn gepast voor gebruik met de meeste koudemiddelen, maar gebruik geen detergents die chloor bevatten. De chloor kan reageren met het koudemiddel en de koperen leidingen corroderen. Als een lek wordt vermoed, verwijder/ doof alle open vlammen. Als een koudemiddel wordt gevonden en er gesoldeerd moet worden, moet al het koudemiddel uit het systeem worden verwijderd of met behulp van ventielen worden geïsoleerd in een deel van het systeem dat zich op afstand van het lek bevindt. Zowel vóór als tijdens het solderen moet het systeem worden gespoeld met zuurstofvrije stikstof.

7. Verwijderen en vacuüm zuigen

Er worden algemene procedures gehanteerd voor reparatie- of andere werkzaamheden aan het koudemiddelcircuit. Houd met het oog op de ontvlambaarheid van koudemiddelen echter de volgende maatregelen in acht. Voer de volgende procedure uit:

- Verwijder het koudemiddel;
- Ontlucht het circuit met inert gas;
- Maak luchtledig;
- Ontlucht opnieuw met inert gas;
- Open het circuit door het te snijden of te solderen.

Het verwijderde koudemiddel moet worden opgevangen in de juiste verzamelingscilinders. Het systeem moet worden doorgespoeld met zuurstofvrije stikstof om het systeem veilig te maken. Het is mogelijk dat dit proces meerdere keren moet worden herhaald. Hiervoor mag geen gebruik worden gemaakt van perslucht of zuurstof. Het doorspoelen gebeurt door het vacuüm in het systeem op te heffen met zuurstofvrije stikstof tot de bedrijfsdruk is bereikt, de stikstof te laten ontsnappen in de omgevingslucht en het systeem vervolgens opnieuw vacuüm te zuigen. Dit proces moet worden herhaald tot er geen koudemiddel meer in het systeem aanwezig is. Wanneer er voor het laatst zuurstofvrije stikstof is toegepast, moet dit worden vrijgegeven aan de omgevingslucht tot de omgevingsdruk is bereikt. Vervolgens kan er met de werkzaamheden worden begonnen. Deze procedure is absoluut noodzakelijk als er soldeerwerkzaamheden op de leidingen dienen te gebeuren. Zorg dat de uitlaat van de vacuümpomp zich niet in de buurt van een ontstekingsbron bevindt en er voldoende ventilatie aanwezig is.

8. Vulprocedures

Naast de algemene vulprocedures moeten de volgende vereisten worden nageleefd.

- Zorg ervoor dat er bij het gebruik van de vulapparatuur geen vermenging van verschillende koudemiddelen optreedt. Slangen of leidingen moeten zo kort mogelijk worden gehouden om de hoeveelheid koudemiddel tot een minimum te beperken.
- De cilinders moeten rechtop staan.
- Zorg ervoor dat het koudemiddelsysteem geaard is, voordat het systeem wordt gevuld met koudemiddel.
- Label het systeem wanneer het is gevuld (indien dit nog niet is gedaan).
- Het is uiterst belangrijk dat het systeem niet overmatig gevuld wordt.

Voordat het systeem opnieuw wordt gevuld, moet er een druktest met zuurstofvrije stikstof worden uitgevoerd. Het systeem moet na het vullen, maar vóór ingebruikname, worden getest op lekkage. Een tweede lektest moet worden uitgevoerd alvorens de locatie te verlaten.

9. Ontmanteling

Voordat deze procedure wordt uitgevoerd, moet de technicus volledig bekend zijn met het apparaat. Het wordt aanbevolen dat alle koudemiddelen veilig worden opgevangen. Vóór het uitvoeren van de taak moet er een olie- en koudemiddelmonster worden genomen, voor het geval het opgevangen koudemiddel vóór hergebruik moet worden geanalyseerd. Het is essentieel dat er stroomtoevoer is vóór de werkzaamheden beginnen.

- a) Raak vertrouwd met het apparaat en zijn werking.
- b) Zorg voor gepaste elektrische isolatie van het systeem.
- c) Voordat u de procedure uitvoert:
 - Indien nodig, zorg dat er mechanische uitrusting voor het behandelen van de bewaarflessen met koudemiddel aanwezig is;
 - Zorg voor persoonlijke beschermingsmiddelen en dat ze juist worden gebruikt;
 - Zorg tijdens het terugwinningsproces voor een continu toezicht door een vakbekwame persoon.
 - Zorg dat de gebruikte terugwinningsuitrusting en bewaarflessen in overeenstemming zijn met de gepaste normen.
- d) Pomp het koudemiddelsysteem indien mogelijk leeg.
- e) Als gebruik van een vacuümpomp niet mogelijk is, moet een verdeelstuk worden gebruikt zodat het koudemiddel van verschillende onderdelen van het systeem kan worden verwijderd.
- f) Zorg ervoor dat de cilinder op de weegschaal staat voordat het koudemiddel wordt opgevangen.
- g) Start de opvangmachine en bedien deze volgens de instructies van de fabrikant.
- h) Vul de cilinders niet te veel. (Niet meer dan 80% van het vloeistofvolume)
- i) Overschrijd de maximale werkdruk van de cilinder niet, zelfs niet tijdelijk.
- j) Als de cilinders correct zijn gevuld en het proces is voltooid, moeten de cilinders en het apparaat snel van de locatie worden verwijderd en moeten alle isolatieventielen op het apparaat worden afgesloten.
- k) Verzameld koudemiddel mag pas voor een ander koudemiddelsysteem worden gebruikt, als het is schoongemaakt en gecontroleerd.

10. Labeling

Het apparaat moet worden voorzien van een label waarop staat vermeld dat het apparaat is ontmanteld en dat het koudemiddel is verwijderd. Het label moet worden gedateerd en ondertekend. Zorg ervoor dat er labels op de cilinders aanwezig zijn met vermelding dat de cilinders onvlambaar koudemiddel bevatten.

11. Herstel

Bij het opvangen van koudemiddel van een systeem, voor zowel onderhoud als ontmanteling, moeten alle koudemiddelen op een veilige manier worden verwijderd. Wanneer koudemiddel wordt opgevangen in cilinders mogen alleen geschikte cilinders voor koudemiddel worden gebruikt. Zorg dat u het nodige aantal cilinders hebt om alle koudemiddel te kunnen bewaren. Alle cilinders die worden gebruikt, zijn bestemd voor het opvangen van koudemiddel en moeten als zodanig worden gelabeld (d.w.z. speciale cilinders voor het opvangen van koudemiddel). De cilinders moeten compleet zijn, met een overdrukventiel en afsluitventielen, en alle onderdelen moeten in goede staat verkeren. Lege opvangcilinders moeten met een vacuümpomp worden geleegd en, indien mogelijk, worden gekoeld vóór het opvangen van het koudemiddel. De opvangapparatuur moet zich in een goede staat bevinden, voorzien zijn van instructies en geschikt zijn voor het opvangen van ontvlambare koudemiddelen. Daarnaast moet er een gekalibreerde weegschaal aanwezig zijn die in goede staat verkeert. Slangen moeten intact zijn, compleet met lekvrije en juist werkende koppelstukken. Controleer vóór gebruik of de opvangmachine in een goede staat verkeert, goed is onderhouden en dat alle elektrische componenten zijn afgedicht om ontsteking te voorkomen in geval koudemiddel vrijkomt. In geval van twijfel, neem contact op met de fabrikant. Lever het teruggewonnen koudemiddel in bij uw leverancier van koudemiddel, in de juiste cilinder en voorzien van de relevante documentatie. Meng geen koudemiddelen in opvangunits en, in het bijzonder, niet in cilinders. Als er compressoren of compressorolie moeten worden verwijderd, moet de olie tot een acceptabel niveau worden afgezogen met een vacuümpomp, zodat er geen ontvlambaar koudemiddel in de olie achterblijft. Het vacuümproces moet vóór retournering van de compressor aan de leverancier worden uitgevoerd. Om dit proces te versnellen mag de compressorbehuizing uitsluitend elektrisch worden verwarmd. Olie moet altijd voorzichtig uit een systeem worden verwijderd.

Competentie van het onderhoudspersoneel

Algemeen

Speciale opleiding naast de gebruikelijke reparatieprocedures voor koelapparatuur is nodig wanneer het apparaat met ontvlambaar koudemiddel betreft.

In vele landen wordt deze opleiding gegeven door nationale opleidingsorganisaties die geaccrediteerd zijn om de relevante nationale competentienormen, die wettelijk vastgelegd kunnen zijn, bij te brengen.

De behaalde competentie moet in een certificaat zijn vastgelegd.

Opleiding

De opleiding moet het volgende bevatten:

Informatie over het explosiepotentieel van ontvlambare koudemiddelen om aan te tonen dat ontvlambare stoffen gevaarlijk kunnen zijn wanneer ze verkeerd worden behandeld.

Informatie over mogelijke ontstekingsbronnen, in het bijzonder deze die niet vanzelfsprekend zijn, zoals aanstekers, lichtschakelaars, stofzuigers, elektrische verwarmingstoestellen.

Informatie over de verschillende veiligheidsconcepten:

Ongeventileerd – De veiligheid van het apparaat is niet afhankelijk van de ventilatie van de behuizing. Het uitschakelen van het apparaat of het openen van de behuizing heeft geen beduidend gevolg voor de veiligheid. Het is echter mogelijk dat er lekkend koudemiddel in de behuizing ophoopt en er een ontvlambare atmosfeer bij het openen van de behuizing vrijkomt.

Geventileerde behuizing – De veiligheid van het apparaat is afhankelijk van de ventilatie van de behuizing. Het uitschakelen van het apparaat of het openen van de behuizing heeft geen beduidend gevolg voor de veiligheid. De ventilatie van de ruimte mag tijdens de reparatieprocedures niet worden uitgeschakeld.

Geventileerde ruimte – De veiligheid van het apparaat is afhankelijk van de ventilatie van de ruimte. Het uitschakelen van het apparaat of het openen van de behuizing heeft geen beduidend gevolg voor de veiligheid. De ventilatie van de ruimte mag tijdens de reparatieprocedures niet worden uitgeschakeld.

Informatie over het concept van afgedichte componenten en afgedichte behuizingen overeenkomstig IEC 60079- 15:2010.

Informatie over de juiste werkprocedures:

a) Inbedrijfstelling

- Zorg dat het vloeroppervlak voldoende groot is voor het koudemiddel of dat de ventilatieslang op een juiste manier is aangebracht.
- Sluit de leidingen aan en voer een lektest uit voordat u het apparaat met koudemiddel vult.
- Controleer de veiligheidsapparatuur alvorens het apparaat in bedrijf te stellen.

b) Onderhoud

- Repareer draagbare apparatuur buiten of in een werkplaats die specifiek is bestemd voor het repareren van apparaten met ontlambaar koudemiddel.
- Zorg voor voldoende ventilatie in de werkplaats.
- Storing van de apparatuur kan optreden door verlies van koudemiddel en een koudemiddellek is mogelijk.
- Gooi condensatoren op een juiste manier weg zodat er geen vonkvorming mogelijk is. De standaardprocedure om de aansluitklemmen van condensatoren kort te sluiten veroorzaakt over het algemeen vonken.
- Breng de afgedichte behuizingen opnieuw op een juiste manier aan. Als de afdichtingen versleten zijn, vervang ze.
- Controleer de veiligheidsapparatuur alvorens het apparaat in bedrijf te stellen.

c) Reparatie

- Repareer draagbare apparatuur buiten of in een werkplaats die specifiek is bestemd voor het repareren van apparaten met ontlambaar koudemiddel.
- Zorg voor voldoende ventilatie in de werkplaats.
- Storing van de apparatuur kan optreden door verlies van koudemiddel en een koudemiddellek is mogelijk.
- Gooi condensatoren op een juiste manier weg zodat er geen vonkvorming mogelijk is.
- Als soldeerwerkzaamheden nodig zijn, voer de volgende procedures in de juiste volgorde uit:
 - Verwijder het koudemiddel. Als terugwinning door de nationale regelgeving niet vereist is, voer het koudemiddel naar buiten af. Zorg dat het afgevoerde koudemiddel geen gevaar oplevert. In geval van twijfel, laat een persoon toezicht op de uitlaat houden. Zorg ervoor dat er geen afgevoerd koudemiddel opnieuw in het gebouw stroomt.
 - Zuig het koudemiddelcircuit vacuüm.
 - Spoel het koudemiddelcircuit gedurende 5 minuten met stikstof.
 - Zuig het circuit opnieuw vacuüm.
 - Verwijder de te vervangen onderdelen door ze af te snijden, en niet met gebruik van een vlam.
 - Spoel het soldeerpunt met stikstof tijdens de soldeerprocedure.
 - Voer een lektest uit voordat u het apparaat met koudemiddel vult.
- Breng de afgedichte behuizingen opnieuw op een juiste manier aan. Als de afdichtingen versleten zijn, vervang ze.
- Controleer de veiligheidsapparatuur alvorens het apparaat in bedrijf te stellen.

d) Ontmanteling

- Als de veiligheid wordt aangetast tijdens het buiten dienst stellen van de apparatuur, verwijder het koudemiddel voordat u start met de ontmanteling.
- Zorg voor voldoende ventilatie in de ruimte waar de apparatuur zich bevindt.
- Storing van de apparatuur kan optreden door verlies van koudemiddel en een koudemiddellek is mogelijk.
- Gooi condensatoren op een juiste manier weg zodat er geen vonkvorming mogelijk is.

- Verwijder het koudemiddel. Als terugwinning door de nationale regelgeving niet vereist is, voer het koudemiddel naar buiten af. Zorg dat het afgevoerde koudemiddel geen gevaar oplevert. In geval van twijfel, laat een persoon toezicht op de uitlaat houden. Zorg ervoor dat er geen afgevoerd koudemiddel opnieuw in het gebouw stroomt.
- Zuig het koudemiddelcircuit vacuüm.
- Spoel het koudemiddelcircuit gedurende 5 minuten met stikstof.
- Zuig het circuit opnieuw vacuüm.
- Vul tot aan de atmosferische druk met stikstof.
- Breng een label op de apparatuur aan met de vermelding dat het koudemiddel is verwijderd.

e) Verwijdering

- Zorg voor voldoende ventilatie in de werkplaats.
- Verwijder het koudemiddel. Als terugwinning door de nationale regelgeving niet vereist is, voer het koudemiddel naar buiten af. Zorg dat het afgevoerde koudemiddel geen gevaar oplevert. In geval van twijfel, laat een persoon toezicht op de uitlaat houden. Zorg ervoor dat er geen afgevoerd koudemiddel opnieuw in het gebouw stroomt.
- Zuig het koudemiddelcircuit vacuüm.
- Spoel het koudemiddelcircuit gedurende 5 minuten met stikstof.
- Zuig het circuit opnieuw vacuüm.
- Snij de compressor uit en voer de olie af.

Transport, markering en opslag van apparaten die ontvlambaar koudemiddel gebruiken

Transport van apparatuur die ontvlambaar koudemiddel bevat

Opgelet! Extra transportvoorschriften kunnen gelden voor wat betreft apparatuur die ontvlambaar gas bevat. Het maximum aantal apparaten of de samenstelling van de apparatuur die samen mag worden opgeslagen wordt bepaald door de geldende transportvoorschriften.

Markering van apparatuur met behulp van aanduidingen

Aanduidingen voor gelijksoortige apparaten, die in een werkgebied worden gebruikt, worden over het algemeen bepaald door de lokale regelgeving en geven de minimum voorschriften inzake veiligheids- en/of gezondheidssignalering op het werk aan.

Alle vereiste aanduidingen moeten in een goede staat worden gehouden en de werkgevers moeten ervoor zorgen dat de werknemers gepaste en voldoende instructies en opleiding krijgen over de betekenis van de gepaste veiligheidsaanduidingen en de uit te voeren handelingen die met deze aanduidingen verband houden. De doeltreffendheid van de aanduidingen mag niet afnemen door het aanbrengen van te veel aanduidingen op een bepaalde plaats.

De gebruikte pictogrammen moeten zo eenvoudig mogelijk zijn en alleen essentiële details bevatten.

Afdanking van apparatuur die ontvlambare koudemiddelen gebruiken.

Zie de nationale wetgeving.

Opslag van apparatuur

De opslag van apparatuur moet in overeenstemming zijn met de instructies van de fabrikant.

Opslag van verpakte (niet-verkochte) apparatuur

De opslagverpakking moet zodanig worden beschermd dat mechanische beschadiging van de apparatuur in de verpakking niet kan resulteren in lekkage van het koudemiddel.

Het maximum aantal apparaten dat samen mag worden opgeslagen wordt bepaald door de lokale wetgeving.

Bardzo dziękujemy za zakup naszych produktów. Aby zagwarantować prawidłowe użytkowanie, przed użyciem prosimy uważnie przeczytać niniejszy podręcznik i instrukcję.

WAŻNE INSTRUKCJE

Podczas używania urządzeń elektrycznych, aby zmniejszyć ryzyko pożaru, porażenia prądem, oparzeń i innych urazów, należy zawsze przestrzegać podstawowych zasad bezpieczeństwa.

1. Prosimy przeczytać i zachować tę instrukcję. Uwaga: ilustracje w instrukcji obsługi są podane wyłącznie w celach orientacyjnych.
2. Pod warunkiem zapewnienia odpowiedniego nadzoru, pouczenia na temat bezpiecznej obsługi i dopilnowania zrozumienia zagrożeń, urządzenie może być używane przez dzieci w wieku od lat 8, osoby o ograniczeniach fizycznych, czuciowych lub psychicznych, a także osoby, którym brak jest doświadczenia lub wiedzy.
3. Dzieci nie powinny bawić się urządzeniem.
4. Dzieci nie mogą bez nadzoru wykonywać czynności związanych z czyszczeniem i konserwacją.
5. Jeżeli kabel zasilający zostanie uszkodzony, aby uniknąć niebezpiecznych sytuacji, należy go wymienić. Wymiany powinien dokonać producent, przedstawiciel jego serwisu lub inne osoby o podobnych kwalifikacjach.
6. Wyłącznie do użytku w zamkniętych pomieszczeniach.
7. Urządzenia nie należy używać: blisko źródła ognia, w miejscach, gdzie może chlapać olej, w miejscach bezpośrednio nasłonecznionych, w miejscach, gdzie może chlapać woda, a także obok wanny, pralni, prysznic lub basenu.
8. Do wylotów powietrza nigdy nie wolno wkładać palców. Szczególną uwagę należy zwrócić na ostrzeżenie o tych zagrożeniach dzieci.

9. W czasie transportu i użytkowania urządzenie musi stać w pozycji pionowej – wynika to z konieczności odpowiedniego ustawienia kompresora.
10. Przed czyszczeniem lub przestawieniem w inne miejsce należy zawsze wyłączyć urządzenie i odłączyć zasilanie.
11. Aby nie spowodować pożaru i nie dopuścić do innych zagrożeń, urządzenia nie wolno nigdy zakrywać.
12. Wszystkie gniazdka klimatyzatora muszą spełniać wymogi bezpieczeństwa elektrycznego. W razie potrzeby należy skontrolować urządzenie pod kątem owych wymogów.
13. Urządzenie należy zainstalować zgodnie z krajowymi przepisami dotyczącymi sposobu prowadzenia okablowania.
14. Informacje o typie i amperażu bezpieczników: T, 250 V, prąd zmienny, 3,15 A.
15. W celu przeprowadzenia naprawy lub serwisowania urządzenia należy się skontaktować z technikiem autoryzowanego serwisu.
16. Nie należy ciągnąć, odkształcać ani przerabiać przewodu zasilającego, nie wolno go też zanurzać w wodzie. Ciągnięcie lub niewłaściwe użytkowanie przewodu zasilającego może doprowadzić do uszkodzenia urządzenia lub do porażenia prądem.
17. Należy przestrzegać krajowych przepisów w sprawie gazu.
18. Czynności serwisowe powinny być wykonywane wyłącznie zgodnie z zaleceniami producenta urządzenia. Czynności konserwacyjne i naprawy wymagające pomocy innych wykwalifikowanych osób powinny być wykonywane pod nadzorem osoby kompetentnej w zakresie łatwopalnych czynników chłodniczych.
19. Urządzenia nie należy włączać ani włączać przez wkładanie lub wyjmowanie wtyczki przewodu zasilającego, może to bowiem doprowadzić do porażenia prądem lub spowodować pożar wskutek wytwarzania się ciepła.

20. Jeśli z urządzenia dochodzą dziwne dźwięki, zapachy lub pojawia się dym, urządzenie należy odłączyć od zasilania.
21. Urządzenie należy zawsze podłączać do kontaktu ściennego z uziemieniem.
22. W przypadku jakichkolwiek uszkodzeń należy wyłączyć urządzenie wyłącznikiem, wyjąć wtyczkę z kontaktu i skontaktować się z autoryzowanym punktem serwisowym w celu dokonania naprawy.
23. Nie należy używać jakichkolwiek środków przyspieszających proces odszraniania lub czyszczenia innych niż te, które zaleca producent.
24. Urządzenie należy przechowywać w pomieszczeniu, w którym nie ma włączonych na stałe źródeł zapłonu (np.: otwarte płomienie, włączone urządzenie gazowe lub włączony grzejnik elektryczny).
25. Nie przebijać, nie wrzucać do ognia.
26. Należy mieć świadomość, że czynnik chłodniczy może być bezwonny.
27. Urządzenie zawiera czynnik chłodniczy R290. R290 jest chłodziwem gazowym spełniającym europejskie dyrektywy w sprawie środowiska. Nie wolno przebijać jakiegokolwiek części obwodu z czynnikiem chłodniczym.
28. Jeżeli urządzenie zostanie zainstalowane i będzie używane lub przechowywane w pomieszczeniu bez wentylacji, pomieszczenie to musi być zaprojektowane w taki sposób, aby zapobiegało zbieraniu się czynnika chłodniczego wydostającego się z obwodu wskutek nieszczelności, ponieważ stwarza on ryzyko pożaru lub wybuchu wskutek zapalenia się chłodziwa od grzejników elektrycznych, kuchenek lub innych źródeł zapłonu.
29. Urządzenie należy przechowywać w taki sposób, aby zapobiec usterce mechanicznej.
30. Osoby obsługujące obwód z czynnikiem chłodniczym lub pracujące przy nim muszą posiadać odpowiedni certyfikat wydany przez akredytowaną organizację, zapewniający posiadanie kompetencji odpowiednich do pracy przy

czynnikach chłodniczych zgodnie ze szczegółową oceną uznawaną przez stowarzyszenia branżowe.

31. Naprawy muszą być wykonywane na podstawie zaleceń producenta. Czynności konserwacyjne i naprawy wymagające pomocy innych wykwalifikowanych osób powinny być wykonywane pod nadzorem osoby przeszkolonej w zakresie łatwopalnych czynników chłodniczych.
32. Instrukcje dotyczące naprawy urządzeń zawierających czynnik chłodniczy R290 podano poniżej.
33. Po przestawieniu z miejsca na miejsce należy zawsze zostawić urządzenie, aby stało przez co najmniej 2 godziny.



Ostrzeżenie: Ryzyko pożaru / Materiały łatwopalne.



Przeczytaj instrukcje.



Podręcznik operatora; instrukcje obsługi.



Wskaźnik serwisu; przeczytaj instrukcję

techniczną.

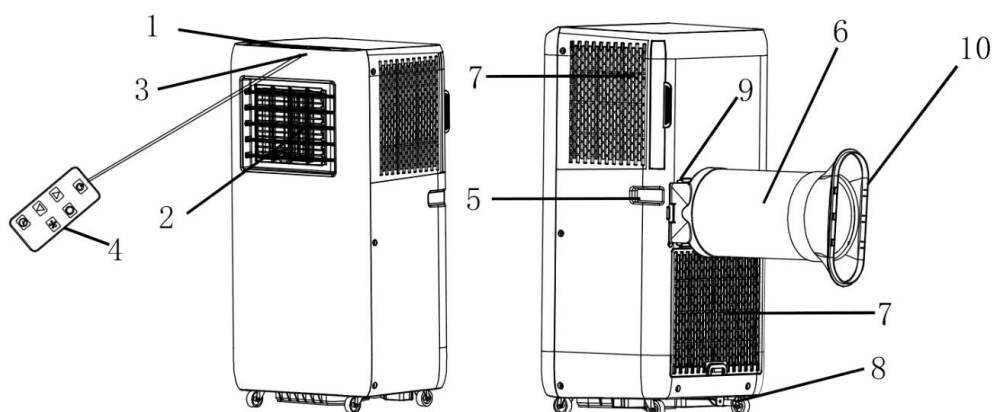
Ostrzeżenie: Otwory wentylacyjne muszą znajdować się z dala od przeszkód.

Ostrzeżenie: Urządzenie należy przechowywać w miejscu posiadającym dobrą wentylację, w pomieszczeniu o powierzchni takiej jak przewidziano dla tego urządzenia.

Wymagana odległość wokół urządzenia powinna wynosić co najmniej 30 cm.

Urządzenie powinno być zainstalowane, używane i przechowywane w pomieszczeniu o powierzchni podłogi powyżej 4 m².

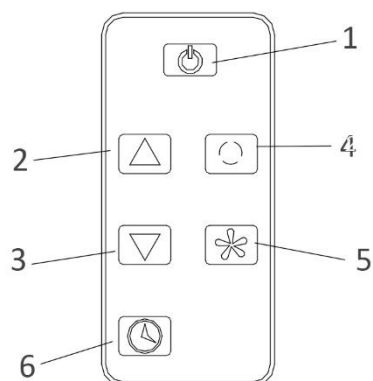
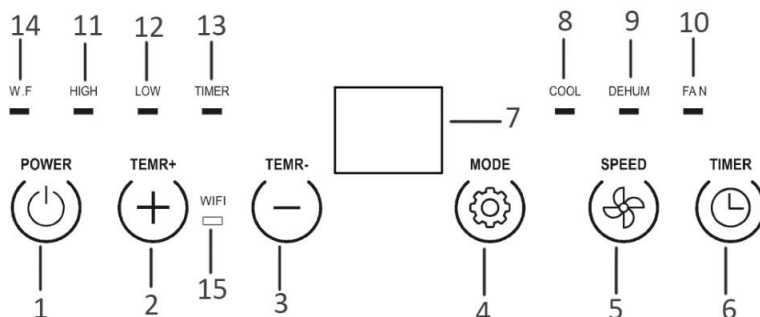
OPIS CZĘŚCI



1. Panel sterowania
2. Wylot powietrza z żaluzją
3. Odbiornik sygnału
4. Pilot
5. Uchwyt
6. Wąż odprowadzający powietrze
7. Wlot powietrza i filtr powietrza
8. Odpływ (zamknięty zatyczką)
9. Łączówka węża
10. Adapter okienny

Panel sterowania

1. Przycisk zasilania
2. Przycisk zwiększania temperatury/ustawienia minutnika
3. Przycisk zmniejszania temperatury/ustawienia minutnika
4. Przycisk trybu
5. Przycisk prędkości wentylatora
6. Przycisk minutnika
7. Wyświetlacz cyfrowy
8. Kontrolka trybu chłodzenia
9. Kontrolka trybu osuszania
10. Kontrolka trybu wentylatora
11. Kontrolka dużej prędkości
12. Kontrolka małej prędkości
13. Kontrolka minutnika
14. Kontrolka napełnienia zbiornika na wodę
15. Kontrolka Wi-Fi

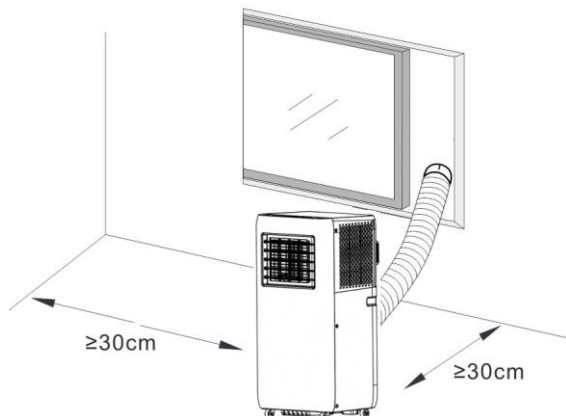


To urządzenie jest sterowane pilotem. Z pilotem dostarczona jest jedna bateria CR2025. Przed rozpoczęciem używania pilota, z baterii należy usunąć plastikową folię zabezpieczającą. Wymiana baterii – patrz instrukcja z

tytu pilota. Jeżeli urządzenie nie będzie przez dłuższy czas używane, z pilota należy wyjąć baterię. Baterie guzikowe należy chronić przed małymi dziećmi.

INSTALACJA

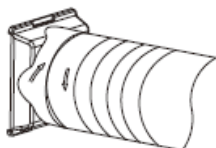
- Urządzenie należy zainstalować na płaskiej powierzchni, w miejscu, w którym nie będzie zasłonięty wylot powietrza. Wymagana odległość wokół urządzenia powinna wynosić co najmniej 30 cm.



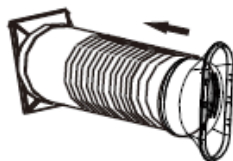
- Urządzenia nie należy instalować w pralni.
- Aby rozsunąć wąż odprowadzający powietrze, należy pociągnąć za oba jego końce.



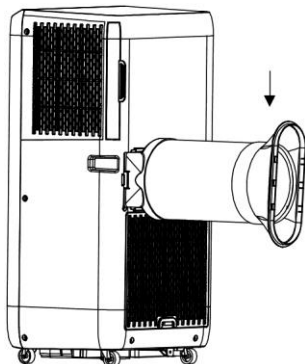
- Wkręcić na wąż odprowadzający powietrze w łączówkę węża.



- Wkręcić drugi koniec węża odprowadzającego powietrze w adapter okienny.



- Włożyć łączówkę węża w zacpek z tyłu urządzenia.



UŻYTKOWANIE

*Po przestawieniu z miejsca na miejsce należy zawsze zostawić urządzenie, aby postać przez co najmniej 2 godziny.

Przed użyciem należy sprawdzić, czy wąż odprowadzający został prawidłowo zamontowany. Włożyć wtyczkę przewodu zasilającego urządzenie do kontaktu. Żaluzje można regulować ręcznie.

1. Przycisk zasilania

Aby włączyć urządzenie, należy nacisnąć przycisk zasilania. Urządzenie rozpocznie pracę.

Ponowne wciśnięcie tego samego przycisku spowoduje wyłączenie urządzenia.

2. Przyciski zwiększania i zmniejszania temperatury/ustawienia minutnika

Aby ustawić żądaną temperaturę w pomieszczeniu w przedziale od 15°C do 31°C, należy naciskać przyciski

„+”/„-” w panelu sterowania lub „▲”/„▼” w pilocie. Przycisków tych można też używać do regulacji ustawienia minutnika podczas jego nastawiania. Z każdym wciśnięciem wartość zostanie zwiększona/zmniejszona o 1 (stopień °C/godzinę).

3. Przycisk prędkości wentylatora

Wciśnięcie przycisku prędkości wentylatora przełącza między małą a dużą prędkością nawiewu. Zapalą się odpowiednie kontrolki: „LOW” (mała prędkość) / „HIGH” (duża prędkość).

4. Przycisk trybu

Aby wybrać żądany tryb pracy, należy naciskać przycisk trybu; do wyboru są tryb chłodzenia „COOL”, osuszania „DEHUM” i wentylatora „FAN”. Gdy wybrany zostanie dany tryb, zapali się odpowiednia kontrolka.

- Tryb chłodzenia

Gdy temperatura w pomieszczeniu przekracza nastawioną temperaturę, zaczyna pracować kompresor.

Gdy temperatura w pomieszczeniu jest niższa niż nastawiona temperatura, kompresor wyłącza się i wentylator pracuje z początkowo ustawioną prędkością.

Uwaga: Gdy pracuje kompresor, urządzenie lekko wibruje. Jest to normalne i nieszkodliwe.

- Tryb osuszania

W trybie osuszania wentylator pracuje z małą prędkością. Temperatury i prędkości pracy wentylatora nie można regulować.

Kompresor wyłącza się po 8 minutach pracy, włącza się ponownie po 6 minutach, po czym cykl się powtarza.

- Tryb wentylatora

Gdy wentylator pracuje z nastawioną prędkością, kompresor nie pracuje.

Regulacja temperatury w trybie wentylatora jest nieskuteczna.

5. Przycisk minutnika

Ustawianie automatycznego włączenia

- Gdy urządzenie jest wyłączone, należy wcisnąć przycisk minutnika, kontrolka minutnika zacznie migać.
- Przyciskami zwiększania i zmniejszania ustawienia minutnika wybrać żądany czas automatycznego włączenia: od 1 do 24 godzin. Kontrolki minutnika będzie przez kilka sekund migać, a potem zacznie się świecić światłem ciągłym. Wyświetlacz cyfrowy wyłączy się. Ustawienie minutnika zostało potwierdzone.
- Jednocześnie użytkownik może wybrać prędkość lub tryb wentylatora.
- Gdy upłynie nastawiony czas, urządzenie włączy się automatycznie.

Ustawianie automatycznego wyłączenia

- Gdy urządzenie jest włączone, należy wcisnąć przycisk minutnika, kontrolka minutnika zacznie migać.
- Przyciskami zwiększania i zmniejszania ustawienia minutnika wybrać żądany czas automatycznego wyłączenia: od 1 do 24 godzin. Kontrolki minutnika będzie przez kilka sekund migać, a potem zacznie się świecić światłem ciągłym. Ustawienie minutnika zostało potwierdzone.
- Gdy upłynie nastawiony czas, urządzenie wyłączy się automatycznie.

Aby wyłączyć minutnik, należy nacisnąć przycisk minutnika. Gdy kontrolka minutnika będzie migać, przycisk minutnika należy nacisnąć ponownie. Kontrolka minutnika zgaśnie.

UWAGA:

- W następujących warunkach może zadziałać układ zabezpieczający, co spowoduje wyłączenie urządzenia.

Chłodzenie	Temperatura w pomieszczeniu wynosi ponad 43°C.
	Temperatura w pomieszczeniu wynosi poniżej 15°C.
Osuszanie powietrza	Temperatura w pomieszczeniu wynosi poniżej 15°C.

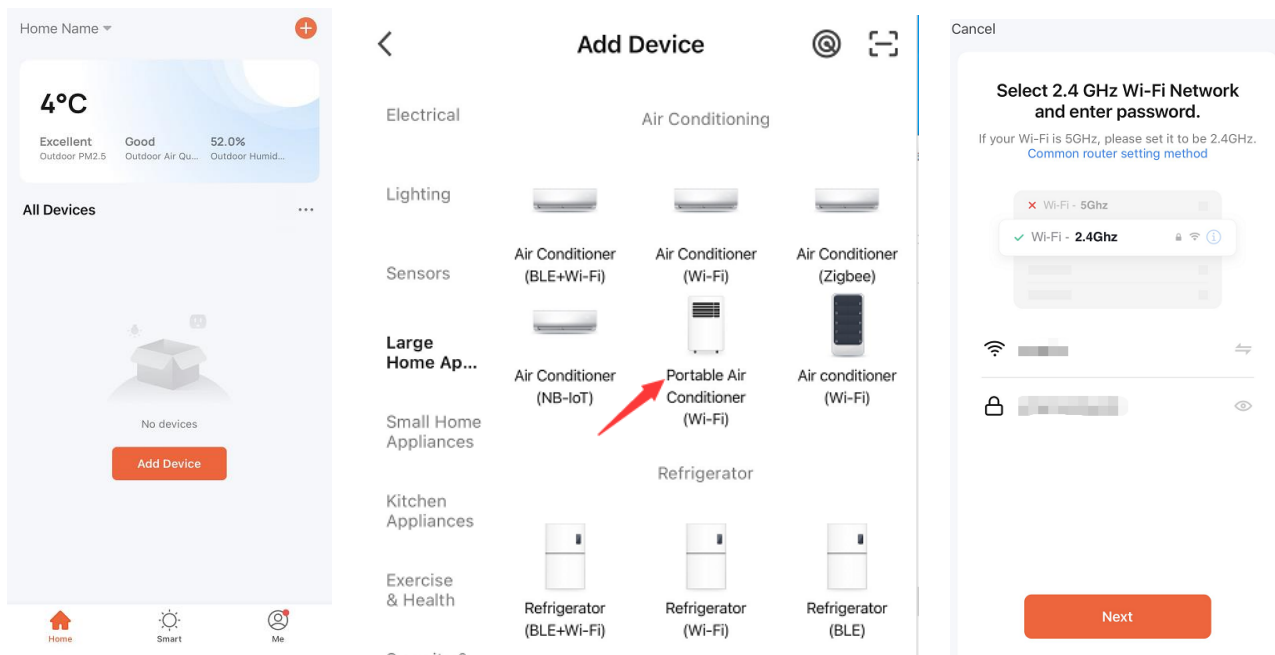
- Jeśli urządzenie pracuje w trybie chłodzenia lub osuszania przy otwartych przez długi czas drzwiach lub oknach i przy wilgotności względnej przekraczającej 80%, z wylotu powietrza może kapać rosa.

Spuszczanie wody

- Specjalne przypomnienie: W urządzeniu wbudowany jest mechanizm recyrkulacji skraplającej się wody. Skraplająca się woda jest częściowo recyrkulowana między skraplaczem a tacą na wodę. Gdy poziom wody podniesie się do poziomu górnego, na wyświetlaczu cyfrowym wyświetlany jest kod „E4” zapelnienia zbiornika na wodę, co stanowi przypomnienie o konieczności spuszczenia wody.
- Aby spuścić całą wodę ze zbiornika na wodę, należy wyłączyć zasilanie, przestawić urządzenie w odpowiednie miejsce i wyjąć zatyczkę z odpływu. Jeśli pozwalają na to warunki, do odpływu można też podłączyć wąż do spuszczenia wody, co ułatwia odprowadzanie wody.
- Po spuszczeniu wody ze zbiornika na wodę, odpływ należy z powrotem zatkać zatyczką, inaczej z urządzenia będzie ciekła woda.

Instrukcja łączenia się z siecią Wi-Fi (ze względu na aktualizacje wersji oprogramowania lub z innych powodów instrukcja do APLIKACJI może nie być regularnie aktualizowana. Instrukcję tę należy traktować tylko jako zalecenie.):

- W sklepie internetowym App Store (w przypadku systemu iOS) lub Google Play (w przypadku systemu Android) wyszukać aplikację „Tuya Smart” i pobrać ją na swój telefon. Zarejestrować się lub zalogować do swojego konta Tuya.
- Upewnić się, że urządzenie znajduje się w trybie gotowości. Nacisnąć przycisk trybu i przytrzymać go aż rozlegnie się sygnał dźwiękowy. Sprawdzić, czy kontrolka Wi-Fi szybko miga.
- Nacisnąć przycisk „+” w prawym górnym rogu lub przycisk „Add Device” („Dodaj urządzenie”) na stronie głównej Tuya, aby dodać urządzenie.
- Odszukać kategorię „Portable Air Conditioner” („Klimatyzator przenośny”). Nacisnąć jej ikonę. Pojawi się komunikat z prośbą o użycie sieci Wi-Fi 2,4 GHz. Uwaga: Aplikacja nie obsługuje sieci Wi-Fi 5 GHz.
- Wprowadzić swoje hasło Wi-Fi i połączyć się z siecią Wi-Fi. Sprawdzić, czy kontrolka Wi-Fi szybko miga. Nacisnąć przycisk „Next” („Dalej”), aplikacja wyszuka i doda urządzenie.



6. Po pomyślnym dodaniu urządzenia kontrolka Wi-Fi będzie świecić światłem ciągłym.
7. Teraz można już zacząć używać aplikacji do obsługi urządzenia.

Uwaga:

- Wciśnięcie przycisku trybu w aplikacji powoduje, że użytkownik może wybrać tryb spośród następujących: „Cool” („Chłodzenie”), „Dry” („Suchy”) i „Fan” („Wentylator”). Tryb suchy jest tym samym trybem co tryb osuszania.
- Dotknięcie wyświetlacza temperatury pozwala przełączać między stopniami Fahrenheita i Celsjusza.
- Jeśli otoczenie sieciowe urządzenia ulegnie zmianie, konieczna jest także zmiana konfiguracji.
- Gdy urządzenie znajduje się w trybie gotowości, użytkownik może włączyć/wyłączyć funkcję Wi-Fi naciśnięciem i przytrzymaniem przycisku trybu w panelu sterowania. Gdy kontrolka Wi-Fi szybko miga, urządzenie czeka na sparowanie. Gdy kontrolka Wi-Fi świeci światłem ciągłym, urządzenie jest podłączone do sieci Wi-Fi. Gdy kontrolka Wi-Fi zgaśnie, oznacza to, że sieć Wi-Fi została wyłączona.

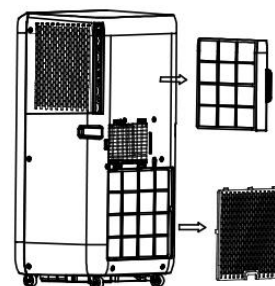
CZYSZCZENIE I KONSERWACJA

- Przed czyszczeniem należy koniecznie odłączyć urządzenie od zasilania elektrycznego.
- Do czyszczenia urządzenia nie wolno używać benzyny ani jakichkolwiek innych chemikaliów.
- Urządzenia nie należy bezpośrednio myć.
- Jeśli urządzenie zostanie uszkodzone, należy skontaktować się z dystrybutorem lub punktem naprawy.

Filtr powietrza

Jeśli filtry powietrza zapychają się kurzem/brudem, należy je czyścić raz na dwa tygodnie.

- Wysunąć filtry powietrza za ciągną.
- Wyczyścić filtr powietrza obojętnym detergentem w letniej wodzie (< 40°C) i wysuszyć w cieniu.
- Założyć z powrotem filtr powietrza.



Czyszczenie powierzchni

Najpierw należy wyczyścić powierzchnię obojętnym detergentem i wilgotną ściereczką, a potem wytrzeć ją suchą szmatką.

ROZWIĄZYWANIE PROBLEMÓW

Następujące sytuacje nie zawsze muszą oznaczać usterkę, przed zapytaniem o nie w serwisie prosimy sprawdzić sugestie podane poniżej.

Problem	Analiza
Urządzenie nie działa	<ul style="list-style-type: none"> • Czy nie jest przepalony bezpiecznik lub czy nie zadziałał wyłącznik automatyczny? • Prosimy odczekać 3 minuty i włączyć urządzenie ponownie, być może zadziałał układ zabezpieczający, który uniemożliwia pracę urządzenia. • Czy baterie w pilocie zdalnego sterowania nie wyczerpały się? • Czy wtyczka jest prawidłowo włożona do kontaktu?
Urządzenie działa tylko przez krótki czas	<ul style="list-style-type: none"> • Jeśli ustawiona temperatura jest zbliżona do temperatury pokojowej, można obniżyć nastawioną temperaturę. • Wylot powietrza jest zablokowany jakąś przeszkodą. Usunąć przeszkodę.
Podczas przestawiania pojawia się wyciek wody	<ul style="list-style-type: none"> • Przed przestawieniem należy spuścić skropliny. • Aby uniknąć wycieku wody, należy ustawić urządzenie na płaskim podłożu.
Urządzenie nie działa, a kontrolka napełnienia	<ul style="list-style-type: none"> • Wyjąć gumową zatyczkę i spuścić wodę. • Jeśli problem będzie się często powtarzał, skontaktować się z

zbiornika na wodę sygnalizuje błąd „E4”	wykwalifikowanym technikiem serwisu.
Urządzenie wyłącza się automatycznie	<ul style="list-style-type: none"> Wyłączenie spowodowane upłynięciem nastawionego czasu Osiągnięcie nastawionej temperatury

DANE TECHNICZNE

Poniższe dane mogą się przydać podczas użytkowania urządzenia

Model	PAC-127277
Napięcie znamionowe	220-240V
Częstotliwość znamionowa	50Hz
Znamionowa moc wejściowa	750W
Prąd znamionowy	3.4A
Wydajność chłodzenia	7000BTU
Usuwanie wilgoci (l/h)	0.8
Przepływ powietrza	270m ³ /h
Maks. moc transmisji	18,2 dBm
Zakres częstotliwości	2412-2472 MHz

Firma Emerio oświadcza na własną wyłączną odpowiedzialność, że produkt: PAC-127277 jest zgodny z zasadniczymi wymaganiami i innymi odpowiednimi wymogami dyrektywy RED (2014/53/EU)

Pełna deklaracja zgodności CE jest dostępna pod następującym adresem: www.emerio.eu

ERP – INFORMACJE

	Wartość
Znak towarowy	Emerio
Określenie modelu	PAC-127277
Poziom hałasu (chłodzenie)	64dB(A)
Nazwa czynnika chłodniczego	R290
Znamionowa moc wejściowa chłodzenia (kW)	0.755
Współczynnik efektywności energetycznej	2.7
GWP (kgCO ₂ eq)	3
Klasa efektywności energetycznej	A
Pobór energii dla urządzeń dwukanałowych (kWh/h)	-
Pobór energii dla urządzeń jednokanałowych (kWh/h)	0.755
Pobór energii w trybie wyłączonego termostatu (W)	-
Pobór energii w trybie gotowości (W)	0.85
Wydajność chłodzenia	7000BTU

Wycieki czynnika chłodzącego przyczyniają się do zmian klimatu. W przypadku dostania się do atmosfery, czynnik chłodniczy o niższym całkowitym potencjale tworzenia efektu cieplarnianego (GWP) w mniejszym stopniu przyczyniałby się do globalnego ocieplenia niż czynnik chłodniczy o wyższym GWP. Urządzenie zawiera czynnik chłodniczy o GWP równym 3. Oznacza to, że jeżeli 1 kg owego czynnika chłodniczego ulotni się do atmosfery, wówczas wpływ na globalne ocieplenie będzie 3 razy wyższy niż wpływ 1 kg CO₂ w okresie 100 lat. Nigdy nie należy próbować samodzielnie ingerować w obwód z czynnikiem chłodniczym ani samodzielnie rozmontowywać produkt – należy zawsze poprosić o pomoc profesjonalistę.

#Zużycie energii 0.755 kWh w przypadku modelu PAC-127277 w czasie 60 minut użytkowania w standardowych warunkach testowych. Faktyczne zużycie energii zależy od sposobu używania urządzenia oraz od miejsca, w którym jest ono ustawione.

W celu uzyskania dodatkowych informacji, prosimy o kontakt:

Emerio B.V. Zomervaart 1A 2033 DA Haarlem The Netherlands	Customer service: T: +31 (0) 23 3034369 E: info@emerio.eu	Kundeninformation: T: +49 (0) 3222 1097 600 E: info.de@emerio.eu	Klantenservice: T: +31 (0) 23 3034369 E: info.nl@emerio.eu
--	--	---	---

GWARANCJA I SERWIS KONSUMENCKI

Przed dostarczeniem do klienta nasze urządzenia poddawane są rygorystycznej kontroli jakości. Jeśli, pomimo wszelkich starań, podczas produkcji lub transportu pojawi się uszkodzenie, należy zwrócić urządzenie do sprzedawcy. Dodatkowo do stosowanych powszechnie przepisów, nabywca ma prawo do reklamacji na podstawie warunków niniejszej gwarancji:

Dla każdego zakupionego urządzenia zapewniamy 2 lata gwarancji, poczynając od dnia zakupu. Uszkodzony produkt można zwrócić bezpośrednio w punkcie zakupu.

Niniejsza gwarancja nie obejmuje uszkodzeń spowodowanych niewłaściwą obsługą urządzenia, usterek w wyniku modyfikacji i napraw wykonanych przez strony trzecie lub w wyniku użycia nieoryginalnych części. Należy zachować dowód zakupu, który jest jedyną podstawą złożenia roszczenia gwarancyjnego. Producent nie ponosi odpowiedzialności za uszkodzenia powstałe w wyniku nieprzestrzegania instrukcji obsługi. Powoduje to unieważnienie gwarancji. Producent nie ponosi odpowiedzialności za szkody materiałowe ani obrażenia ciała spowodowane niewłaściwą obsługą urządzenia i nieprzestrzeganiem instrukcji obsługi. Uszkodzenie akcesoriów nie oznacza bezpłatnej wymiany całego urządzenia. W takim wypadku prosimy o kontakt z naszym serwisem. Stłuczone elementy szklane lub pęknięte elementy plastikowe są wymieniane za opłatą. Uszkodzenia materiałów eksploatacyjnych lub części podlegających zużyciu, a także czyszczenie, konserwacja i wymiana wspomnianych części nie jest objęta gwarancją i podlega opłacie.

USUWANIE PRZYJAZNE ŚRODOWISKU



Recykling – Dyrektywa europejska nr 2012/19/UE

Ten znak oznacza, że urządzenia nie należy wyrzucać razem z innymi odpadami domowymi. Aby zapobiec możliwym szkodom dla środowiska i zdrowia ludzi spowodowanym niekontrolowaną utylizacją odpadów, poddaj produkt procesowi recyklingu w celu promowania zrównoważonego

ponownego wykorzystywania zasobów materiałowych. Aby zwrócić zużyte urządzenie, skorzystaj z systemu oddawania zużytych produktów lub skontaktuj się ze sprzedawcą. Sprzedawca może przyjąć produkt w celu przeprowadzenia bezpiecznego dla środowiska recyklingu.



BATERIĘ NALEŻY ODPOWIEDNIO ZUTYLIZOWAĆ LUB PODDAĆ RECYKLINGOWI. NIE OTWIERAĆ. NIE WRZUCAĆ DO OGNIA, NIE ZWIERAĆ STYKÓW.

Emerio B.V. Zomervaart 1A 2033 DA Haarlem The Netherlands	Customer service: T: +31 (0) 23 3034369 E: info@emerio.eu	Kundeninformation: T: +49 (0) 3222 1097 600 E: info.de@emerio.eu	Klantenservice: T: +31 (0) 23 3034369 E: info.nl@emerio.eu
--	--	---	---

INSTRUKCJA NAPRAWY URZĄDZEŃ ZAWIERAJĄCYCH CZYNNIK CHŁODNICZY R290

1. Serwisowanie

1) Kontrole na miejscu

Aby do minimum ograniczyć ryzyko zapłonu, przed rozpoczęciem prac przy systemach zawierających łatwopalne czynniki chłodnicze konieczne są kontrole bezpieczeństwa. W przypadku naprawy układu chłodzącego, przed przystąpieniem do pracy przy systemie należy zastosować następujące środki ostrożności.

2) Procedura pracy

Aby zminimalizować ryzyko występowania łatwopalnych gazów lub oparów w czasie wykonywania prac, prace należy podejmować zgodnie z kontrolowaną procedurą.

3) Miejsce wykonywania pracy – ogólnie

Wszyscy pracownicy zajmujący się konserwacją oraz inni pracujący w pobliżu powinni zostać poinstruowani o charakterze wykonywanych prac. Należy unikać wykonywania prac w ciasnych miejscach. Otoczenie miejsca wykonywania prac należy wydzielić. Poprzez kontrole materiałów łatwopalnych należy pilnować, aby warunki w obrębie miejsca wykonywania prac były bezpieczne.

4) Sprawdzenie obecności czynnika chłodniczego

Aby mieć gwarancję, że technik ma świadomość potencjalnie łatwopalnej atmosfery, przed rozpoczęciem i w czasie wykonywania pracy, miejsce pracy należy sprawdzić odpowiednim detektorem czynnika chłodniczego. Należy dopilnować, aby używane urządzenie do wykrywania nieszczelności nadawało się do używania do łatwopalnych czynników chłodniczych, tj. nie może ono powodować iskrzenia, musi być odpowiednio szczelnie zamknięte lub bezpieczne samo z siebie.

5) Obecność gaśnicy

Jeżeli przy urządzeniu chłodzącym lub elementach z nim powiązanych mają być wykonywane jakiegokolwiek prace powodujące wytwarzanie się ciepła, należy mieć pod ręką odpowiedni sprzęt gaśniczy. W pobliżu miejsca nabijania instalacji należy mieć suchą gaśnicę proszkową lub CO₂.

6) Brak źródeł zapłonu

Żadna osoba wykonująca prace dotyczące instalacji chłodzącej, w czasie których dochodzi do odsłonięcia jakiegokolwiek rury z łatwopalnym czynnikiem chłodniczym nie może używać jakichkolwiek źródeł zapłonu w sposób, który mógłby powodować ryzyko wystąpienia pożaru lub wybuchu. Wszystkie możliwe źródła zapłonu, w tym zapalone papierosy, należy trzymać w wystarczającej odległości od miejsca instalacji, naprawy, usuwania i utylizacji, w czasie których łatwopalny czynnik chłodniczy można wypuścić do otoczenia. Przed wykonaniem pracy miejsce wokół urządzenia należy skontrolować, tak aby mieć pewność, że nie ma w nim żadnych łatwopalnych zagrożeń ani ryzyk zapłonu. Należy stosować znaki „No Smoking” („Zakaz palenia”).

7) Wentylacja na miejscu

Przed dostaniem się do instalacji lub wykonaniem jakiegokolwiek pracy na gorąco, należy pilnować, aby miejsce pracy znajdowało się na dworze lub aby miało zapewnioną dobrą wentylację. W czasie wykonywania pracy wentylacja będzie kontynuowana. Wentylacja powinna bezpiecznie rozprowadzić jakiegokolwiek ewentualne ilości wypuszczonego czynnika chłodniczego, a najlepiej, aby usunęła go na zewnątrz do atmosfery.

8) Sprawdzenie instalacji z czynnikiem chłodniczym

W przypadku wymiany podzespołów elektronicznych, muszą one nadawać się do tego celu i posiadać prawidłową specyfikację. Należy zawsze przestrzegać wytycznych producenta w sprawie konserwacji i serwisowania. W razie wątpliwości, w celu uzyskania pomocy należy skonsultować się z działem technicznym producenta.

W instalacjach z łatwopalnym czynnikiem chłodniczym należy przeprowadzić następujące kontrole:

- Zastosowana ilość czynnika chłodniczego jest dostosowana do wielkości pomieszczenia, w którym są zainstalowane części zawierające czynnik chłodniczy;
- Części mechaniczne i wyloty wentylacji działają w prawidłowy sposób i nie są zablokowane;
- Jeśli stosowany jest niebezpośredni obwód z czynnikiem chłodniczym, należy skontrolować drugi obwód pod kątem występowania w nim czynnika chłodniczego;

- Oznakowanie urządzenia jest nadal widoczne i czytelne. Nieczytelne oznakowanie i znaki należy poprawić;
- Przewód lub podzespoły czynnika chłodniczego są zainstalowane w pozycji, w której mało prawdopodobne jest ich narażenie na działanie substancji, które mogłyby doprowadzić do skorodowania podzespołów zawierających czynnik chłodniczy, chyba że podzespoły te są zbudowane z materiałów, które z samej swojej natury są odporne na korozję lub są zabezpieczone przed korozją.

9) Kontrole urządzeń elektrycznych

Naprawa i czynności konserwacyjne podzespołów elektrycznych powinny obejmować wstępne kontrole bezpieczeństwa i procedury sprawdzania podzespołów. Jeżeli wystąpi usterka, która mogłaby stanowić zagrożenie dla bezpieczeństwa, wówczas zanim usterka ta nie zostanie w satysfakcjonujący sposób usunięta do obwodu nie należy podłączać jakiegokolwiek zasilania. Jeżeli usterki nie da się usunąć natychmiast, ale system musi kontynuować pracę, wówczas należy wykorzystać odpowiednie rozwiązanie tymczasowe. Fakt ten należy zgłosić właścicielowi urządzenia, tak aby zostały o tym poinformowane wszystkie zainteresowane osoby. Początkowe kontrole bezpieczeństwa powinny obejmować:

- Rozładowanie kondensatorów: powinno się ono odbywać w bezpieczny sposób, tak aby uniknąć możliwości iskrzenia;
- Brak podzespołów elektrycznych pod napięciem, okablowanie nie jest narażone podczas nabijania czynnika chłodniczego, odzyskiwania go i czyszczenia instalacji;
- Sprawdzenie ciągłości uziemienia.

2. Naprawy szczelnie zamkniętych podzespołów

1) W czasie napraw szczelnie zamkniętych podzespołów, przed zdjęciem uszczelnionych osłon, pokryw itp. od naprawianego urządzenia należy odłączyć wszystkie elektryczne źródła zasilania. Jeżeli podczas serwisowania posiadanie zasilania elektrycznego urządzenia jest absolutnie konieczne, wówczas w najbardziej krytycznym punkcie należy zainstalować działający non-stop układ wykrywania upływów, który ostrzegałby o potencjalnie niebezpiecznych sytuacjach.

2) Aby wskutek wykonywania prac przy podzespołach elektrycznych obudowa nie została naruszona w sposób wpływający na poziom ochrony, należy zwrócić szczególną uwagę na następujące kwestie. Dotyczy to uszkodzenia kabli, zbyt dużej liczby połączeń, wyprowadzeń wykonanych niezgodnie z pierwotną specyfikacją, uszkodzenia uszczelki, nieprawidłowego zamontowania dławików itp.

Dopilnować, aby urządzenie było zamontowane w bezpieczny sposób. Dopilnować, aby uszczelki lub materiały uszczelniające nie były zużyte w takim stopniu, że nie spełniałyby już swojej funkcji zabezpieczania przed przepuszczeniem łatwopalnych gazów. Wymiana części musi się odbywać zgodnie ze specyfikacją producenta.

UWAGA: Używanie uszczelki silikonowej może ograniczać skuteczność działania niektórych rodzajów urządzeń do wykrywania nieszczelności. Podzespoły bezpieczne same z siebie nie muszą być izolowane przed przystąpieniem do wykonywania przy nich prac.

3. Naprawy podzespołów bezpiecznych samych z siebie

Bez zagwarantowania, że nie spowodują one przekroczenia napięcia i prądu dopuszczalnego podczas używania urządzenia, do obwodu nie należy podłączać jakichkolwiek stałych obciążeń indukcyjnych lub pojemnościowych. Podzespoły bezpieczne same z siebie są jedynym rodzajem podzespołów, przy których można pracować pod napięciem i w obecności łatwopalnych gazów w powietrzu. Urządzenie testujące musi mieć odpowiedni zakres pracy. Podzespoły należy wymieniać tylko na części określone przez producenta. Inne części mogłyby doprowadzić do zapalenia się czynnika chłodniczego przedostającego się do powietrza wskutek nieszczelności.

4. Okablowanie

Należy sprawdzić, czy okablowanie nie jest narażone na zużycie, korozję, nadmierne obciążenie, drgania, kontakt z ostrymi krawędziami lub jakiegokolwiek inne szkodliwe wpływy środowiskowe. Kontrola powinna także uwzględniać wpływ starzenia się lub ciągłego narażenia na drgania powodowanego przez elementy takie jak kompresory lub wentylatory.

5. Wykrywanie łatwopalnych czynników chłodniczych

Do poszukiwania lub wykrywania nieszczelności instalacji z czynnikiem chłodniczym nie wolno w żadnym wypadku używać rozwiązań stanowiących potencjalne źródła iskrzenia. Nie wolno stosować lamp halogenkowych (ani jakichkolwiek innych detektorów wykorzystujących nieosłonięty płomień).

6. Metody wykrywania nieszczelności

Następujące metody wykrywania nieszczelności uznaje się za dopuszczalne w przypadku instalacji zawierających łatwopalny czynnik chłodniczy.

Do wykrywania łatwopalnych czynników chłodniczych można używać elektronicznych wykrywaczy nieszczelności, ale ich czułość może nie być wystarczająca lub mogą one wymagać ponownej kalibracji. (Urządzenia wykrywające należy kalibrować w miejscu, w którym czynnik chłodniczy nie występuje.) Należy pilnować, aby wykrywacz nie stanowił potencjalnego źródła zapłonu i aby nadawał się do stosowanego czynnika chłodniczego. Urządzenie wykrywające nieszczelności należy ustawić na wartość procentową LFL czynnika chłodniczego i skalibrować na stosowany czynnik chłodniczy. Odpowiednia wartość procentowa gazu (maks. 25%) zostanie potwierdzona. Do większości czynników chłodniczych można stosować płyny wykrywające nieszczelności, jednak należy wtedy unikać stosowania detergentów zawierających chlor, ponieważ chlor może reagować z czynnikiem chłodniczym i może prowadzić do korozji instalacji wykonanej z rur miedzianych. Jeśli istnieje podejrzenie występowania jakiejś nieszczelności, należy usunąć/zgasić wszystkie otwarte płomienie. Jeśli zostanie wykryta nieszczelność instalacji z czynnikiem chłodniczym, a jej usunięcie wymaga lutowania, z instalacji należy odzyskać cały czynnik chłodniczy lub należy go odizolować (zaworami odcinającymi) w części instalacji znajdującej się z dala od nieszczelności. Przed lutowaniem i w czasie lutowania przez instalację należy przepompowywać azot beztlenowy (OFN).

7. Usuwanie i odpompowywanie powietrza, wilgoci i gazów niekondensujących

Kiedy trzeba się dostać do obwodu z czynnikiem chłodniczym – aby dokonać naprawy lub w innym celu – należy stosować procedury konwencjonalne. Jednakże, z uwagi na łatwopalność, ważne jest, aby stosować najlepsze praktyki. Należy więc przestrzegać następującej procedury postępowania:

- Usunąć czynnik chłodniczy;
- Przedmuchać obwód gazem obojętnym;
- Odpompować powietrze, wilgoć i gazy niekondensujące;
- Ponownie przedmuchać gazem obojętnym;
- Otworzyć obwód – przeciąć go lub rozlutować.

Czynnik chłodniczy należy odpompować do odpowiednich butli. Aby ją zabezpieczyć, instalacja zostanie „przepłukana” za pomocą OFN. Procedurę tę będzie być może trzeba kilkakrotnie powtórzyć. Do wykonania tego zadania nie należy używać sprężonego powietrza ani tlenu. Przepłukiwanie powinno polegać na wpompowaniu do instalacji OFN i napełnieniu jej do ciśnienia roboczego, następnie spuszczeniu gazu do atmosfery i w końcu odpompowaniu powietrza. Procedurę tę należy powtarzać aż do momentu, gdy w instalacji nie będzie już w ogóle czynnika chłodniczego. Po ostatecznym napełnieniu instalacji OFN, gaz należy spuścić z instalacji tak, aby uzyskać w instalacji ciśnienie atmosferyczne i aby można było wykonać potrzebne prace. W przypadku lutowania przewodów rurowych operacja ta jest absolutnie kluczowa. Należy dopilnować, aby wylot z pompy próżniowej nie znajdował się w pobliżu jakichkolwiek źródeł zapłonu i aby dostępna była odpowiednia wentylacja.

8. Procedura nabijania instalacji

Oprócz konwencjonalnych procedur nabijania instalacji, należy spełnić następujące wymagania.

- Podczas używania urządzeń nabijających należy pilnować, aby nie doszło do wzajemnego zanieczyszczenia się różnych czynników chłodniczych. Węże i przewody powinny być ja najkrótsze, aby ograniczyć do minimum ilość znajdującego się w nich czynnika chłodniczego.
- Butle należy trzymać w pozycji pionowej.
- Należy pilnować, aby instalacja z czynnikiem chłodniczym została przed jej nabiciem uziemiona.
- Po zakończeniu nabijania czynnikiem chłodniczym, instalację należy oznakować etykietą (o ile nie zostało to zrobione wcześniej).
- Należy bardzo uważać, aby nie przepętnić instalacji chłodniczej.

Przed nabiciem instalacji chłodniczej należy sprawdzić ją pod ciśnieniem za pomocą OFN. Po zakończeniu nabijania, ale przed oddaniem do użytku, należy sprawdzić szczelność instalacji. Przed opuszczeniem miejsca wykonywania prac należy przeprowadzić dodatkowe badanie szczelności.

9. Zakończenie użytkowania

Przed wykonaniem tej procedury należy koniecznie upewnić się, że technik doskonale i z wszystkimi szczegółami zna urządzenie. Jako dobrą praktykę zaleca się bezpieczne odzyskiwanie wszystkich czynników chłodniczych. Przed przystąpieniem do wykonywanego zadania należy pobrać próbki oleju i czynnika chłodniczego na wypadek, gdyby przed ponownym użyciem odzyskanego czynnika było przeprowadzenie ich analizy. Bardzo ważne jest, aby przed rozpoczęciem wykonywania zadania zagwarantować dostęp zasilania elektrycznego.

- a) Należy zapoznać się z urządzeniem i jego działaniem.
- b) Instalację należy zaizolować elektrycznie.
- c) Przed podjęciem próby wykonania procedury, należy dopilnować, aby:
 - Były dostępne urządzenia do obsługi mechanicznej, o ile są one potrzebne do butli z czynnikiem chłodniczym;
 - Były dostępne i prawidłowo używane wszystkie środki ochrony indywidualnej;
 - Proces odzyskiwania był przez cały czas nadzorowany przez kompetentną osobę;
 - Urządzenia i butle do odzyskiwania spełniały odpowiednie normy.
- d) Jeśli to możliwe, z instalacji należy odpompować czynnik chłodniczy.
- e) Jeśli nie da się uzyskać próżni, należy wykonać rozgałęzienia, tak aby czynnik chłodniczy można było odpompować z różnych części instalacji.
- f) Przed rozpoczęciem procesu odzyskiwania czynnika chłodniczego należy dopilnować, aby butla została ustawiona na wadze.
- g) Włączyć maszynę odzyskującą i postępować zgodnie z instrukcjami producenta.
- h) Nie należy przepętniać butli. (Należy ją napełnić w nie więcej niż 80% objętości ciekłego czynnika chłodniczego).
- i) Nie należy przekraczać maksymalnego ciśnienia roboczego w butli, nawet przez chwilę.
- j) Po prawidłowym napełnieniu butli i po zakończeniu procedury należy się upewnić, że butle zostały usunięte i odsunięte z instalacji i że wszystkie zawory izolacyjne są zamknięte.
- k) Odzyskanego czynnika chłodniczego nie używać w innych instalacjach chłodniczych, chyba że zostanie on oczyszczony i sprawdzony.

10. Etykietowanie

Urządzenie należy oznaczyć etykietą stwierdzającą, że zostało ono wycofane z użytkowania i opróżnione z czynnika chłodniczego. Etykieta powinna mieć datę i podpis. Należy pilnować, aby na urządzeniu znajdowała się etykieta z informacją, że zawiera ono łatwopalny czynnik chłodniczy.

11. Odzyskiwanie

Podczas odzyskiwania czynnika chłodniczego z instalacji bądź w celu serwisowania, bądź przed zakończeniem użytkowania zaleca się jako dobrą praktykę bezpieczne usuwanie całego czynnika chłodniczego. Przy przenoszeniu czynnika chłodniczego do butli należy używać odpowiednich butli do odzysku czynników chłodniczych. Należy dopilnować, aby dostępna była wystarczająca liczba butli na cały czynnik chłodniczy. Wszystkie butle, które będą używane są przeznaczone na odzyskiwany czynnik chłodniczy i odpowiednio oznaczone (tj. specjalne butle do odzysku danego czynnika chłodniczego). Butle powinny być wyposażone w zawór upustowy oraz sprawne zawory odcinające. Puste butle do odzysku czynnika chłodniczego należy usuwać, a przed odzyskiem w miarę możliwości schładzać. Urządzenia do odzysku muszą być sprawne i w dobrym stanie i muszą posiadać dołączone do nich instrukcje; urządzenia te muszą też być dostosowane do odzyskiwania czynników łatwopalnych. Dodatkowo, musi być dostępny zestaw skalibrowanych wag – w pełni sprawnych i w dobrym stanie. Węże powinny być wyposażone w sprawne łączówki umożliwiające szczelne rozłączanie. Przed użyciem maszyny do odzysku należy sprawdzić, czy jest ona sprawna i czy jej stan jest zadowalający, czy była prawidłowo serwisowana i czy podzespoły elektryczne są szczelnie zamknięte, co zabezpiecza przed zapłonem czynnika chłodniczego w przypadku jego ulatniania się. W razie wątpliwości należy skonsultować się z producentem. Odzyskany czynnik chłodniczy należy zwrócić do dostawcy czynnika w odpowiedniej butli do odzysku oraz z odpowiednim dokumentem poświadczającym przekazanie odpadów. Nie należy mieszać między sobą czynników chłodniczych w butlach. Jeśli mają być usunięte kompresor lub olej z kompresora, należy dopilnować, aby zostały one usunięte do akceptowalnego poziomu, tak aby mieć pewność, że łatwopalny czynnik chłodniczy nie pozostał w smarze. Przed zwróceniem kompresora dostawcom należy przeprowadzić procedurę odpompowania powietrza, wilgoci i gazów niekondensujących. W celu przyspieszenia procesu można stosować tylko ogrzewanie elektryczne. Gdy z instalacji będzie spuszcany olej, należy to wykonać bezpiecznie.

Kompetencje pracowników serwisu

Kwestie ogólne

W przypadku urządzeń, w których stosowany jest łatwopalny czynnik chłodniczy, oprócz szkolenia nt. zwykłych procedur naprawy urządzeń chłodzących wymagane jest specjalne szkolenie dodatkowe.

W wielu krajach szkolenie to jest prowadzone przez organizacje szkoleniowe o zasięgu krajowym, posiadające akredytację do prowadzenia szkoleń z zakresu odpowiednich kompetencji i standardów, które mogą być określone w przepisach prawa.

Uzyskany poziom kompetencji powinien być udokumentowany certyfikatem.

Szkolenie

Szkolenie powinno obejmować następujące elementy:

Informacje o możliwości wybuchu łatwopalnych czynników chłodniczych pokazujące, że nieuważne obchodzenie się z substancjami łatwopalnymi może być niebezpieczne.

Informacje o możliwych źródłach zapłonu, zwłaszcza zaś takich, które nie są oczywiste, jak np. zapalniczki, przełączniki oświetlenia, odkurzacze i grzejniki elektryczne.

Informacje o różnych koncepcjach bezpieczeństwa:

Bez wentylacji – Bezpieczeństwo urządzenia nie zależy od wentylacji obudowy. Wyłączenie urządzenia lub otwarcie obudowy nie ma istotnego wpływu na bezpieczeństwo. Jest jednak możliwe, że ulatniający się czynnik chłodniczy może zbierać się wewnątrz obudowy i że po otwarciu obudowy zostaną z niej wypuszczone łatwopalne wyziewy.

Wentylowana obudowa – Bezpieczeństwo urządzenia zależy od wentylacji obudowy. Wyłączenie urządzenia lub otwarcie obudowy ma istotny wpływ na bezpieczeństwo. Należy pilnować, aby zawczasu zapewnić wystarczającą wentylację.

Wentylowane pomieszczenie – Bezpieczeństwo urządzenia zależy od wentylacji pomieszczenia. Wyłączenie urządzenia lub otwarcie obudowy nie ma istotnego wpływu na bezpieczeństwo. Na czas wykonywania procedur związanych z naprawą nie należy wyłączać wentylacji pomieszczenia.

Informacje na temat koncepcji zamkniętych szczelnie podzespołów i zamkniętych szczelnie obudów zgodnie z normą IEC 60079-15:2010.

Informacje na temat prawidłowych procedur wykonywania pracy:

a) Oddanie do użytkowania

- Dopilnować, aby zastosowana ilość czynnika chłodniczego była wystarczająca w stosunku do powierzchni pomieszczenia i aby wąż wentylacyjny był zamontowany w prawidłowy sposób.
- Przed napełnieniem układu czynnikiem chłodniczym, połączyć rury i przeprowadzić próbę szczelności.
- Przed oddaniem do użytkowania sprawdzić działanie mechanizmów zabezpieczających.

b) Konserwacja

- Urządzenia przenośne należy naprawiać na dworze lub w warsztacie specjalnie wyposażonym pod kątem serwisowania urządzeń zawierających łatwopalny czynnik chłodniczy.
- W miejscu wykonywania naprawy należy zapewnić wystarczającą wentylację.
- Należy zdawać sobie sprawę z tego, że nieprawidłowe działanie urządzenia może być spowodowane ubytkiem czynnika chłodniczego oraz że instalacja może być nieszczelna.
- Kondensatory należy rozładowywać w sposób niepowodujący iskrzenia. Standardowa procedura zwierania wyprowadzeń kondensatora zazwyczaj prowadzi do iskrzenia.
- Szczelnie zamknięte obudowy należy starannie i dokładnie zamknąć. Jeśli uszczelki są zużyte, należy je wymienić.
- Przed oddaniem do użytkowania sprawdzić działanie mechanizmów zabezpieczających.

c) Naprawa

- Urządzenia przenośne należy naprawiać na dworze lub w warsztacie specjalnie wyposażonym pod kątem serwisowania urządzeń zawierających łatwopalny czynnik chłodniczy.
- W miejscu wykonywania naprawy należy zapewnić wystarczającą wentylację.
- Należy zdawać sobie sprawę z tego, że nieprawidłowe działanie urządzenia może być spowodowane ubytkiem czynnika chłodniczego oraz że instalacja może być nieszczelna.
- Kondensatory należy rozładowywać w sposób niepowodujący iskrzenia.
- Jeśli trzeba coś zlutować, należy w odpowiedniej kolejności wykonać następujące procedury :
 - Usunąć czynnik chłodniczy. Jeśli przepisy krajowe nie wymagają jego odzyskania, czynnik chłodniczy należy spuścić na zewnątrz. Uważać, aby spuszczonego czynnika chłodniczego nie spowodował zagrożenia. W razie wątpliwości jedna osoba powinna pilnować wylotu. Zwrócić szczególną uwagę na to, aby spuszczonego czynnika chłodniczego nie dostał się z powrotem do budynku.
 - Z obwodu czynnika chłodniczego odpompować powietrze, wilgoć i gazy niekondensujące.
 - Przez 5 minut płukać obwód czynnika chłodniczego azotem.
 - Ponownie odpompować.
 - W celu usunięcia części, które wymagają usunięcia, odciąć je, nie zaś używać płomienia.
 - W czasie procedury lutowanie przedmuchać miejsce lutowania azotem.
 - Przed napełnieniem układu czynnikiem chłodniczym, wykonać próbę szczelności.
- Szczelnie zamknięte obudowy należy starannie i dokładnie zamknąć. Jeśli uszczelki są zużyte, należy je wymienić.
- Przed oddaniem do użytkowania sprawdzić działanie mechanizmów zabezpieczających.

d) Zakończenie użytkowania

- Jeżeli w grę wchodzi bezpieczeństwo, czynnik chłodniczy należy usunąć przed zakończeniem użytkowania.
- W miejscu, w którym znajduje się urządzenie należy zapewnić wystarczającą wentylację.
- Należy zdawać sobie sprawę z tego, że nieprawidłowe działanie urządzenia może być spowodowane

ubytkiem czynnika chłodniczego oraz że instalacja może być nieszczelna.

- Kondensatory należy rozładowywać w sposób niepowodujący iskrzenia.
- Usunąć czynnik chłodniczy. Jeśli przepisy krajowe nie wymagają jego odzyskania, czynnik chłodniczy należy spuścić na zewnątrz. Uważać, aby spuszczonego czynnika chłodniczego nie spowodował zagrożenia. W razie wątpliwości jedna osoba powinna pilnować wylotu. Zwrócić szczególną uwagę na to, aby spuszczonego czynnika chłodniczego nie dostał się z powrotem do budynku.
- Z obwodu czynnika chłodniczego odpompować powietrze, wilgoć i gazy niekondensujące.
- Przez 5 minut płukać obwód czynnika chłodniczego azotem.
- Ponownie odpompować.
- Napełnić azotem pod ciśnieniem atmosferycznym.
- Założyć na urządzenie etykietę z informacją o tym, że czynnik chłodniczy został już usunięty.

e) Utylizacja

- Zapewnić wystarczającą wentylację w miejscu wykonywania pracy.
- Usunąć czynnik chłodniczy. Jeśli przepisy krajowe nie wymagają jego odzyskania, czynnik chłodniczy należy spuścić na zewnątrz. Uważać, aby spuszczonego czynnika chłodniczego nie spowodował zagrożenia. W razie wątpliwości jedna osoba powinna pilnować wylotu. Zwrócić szczególną uwagę na to, aby spuszczonego czynnika chłodniczego nie dostał się z powrotem do budynku.
- Z obwodu czynnika chłodniczego odpompować powietrze, wilgoć i gazy niekondensujące.
- Przez 5 minut płukać obwód czynnika chłodniczego azotem.
- Ponownie odpompować.
- Wyciąć kompresor i spuścić olej.

Transport, oznaczanie i przechowywanie urządzeń, w których używane są łatwopalne czynniki chłodnicze

Transport urządzeń zawierających łatwopalne czynniki chłodnicze

Należy zwrócić uwagę na to, że mogą istnieć dodatkowe przepisy w sprawie transportu urządzeń zawierających łatwopalny czynnik chłodniczy. Maksymalna liczba urządzeń lub konfiguracja urządzeń, które wolno przewozić razem zostanie określona przez stosowne przepisy transportowe.

Znakowanie urządzenia

Oznaczenia podobnych urządzeń używanych w miejscu pracy są na ogół określone przepisami lokalnymi, które wyznaczają minimalne wymagania w zakresie oznakowania BHP w miejscu pracy.

Wszystkie wymagane oznaczenia należy utrzymywać w dobrym stanie. Pracodawcy powinni pilnować, aby pracownicy otrzymali odpowiednie i wystarczające instrukcje i zostali przeszkoleni w zakresie znaczenia odpowiednich znaków BHP oraz działań, które należy podejmować w związku z tymi oznaczeniami.

Nie należy osłabiać skuteczności oznakowania poprzez umieszczanie razem zbyt dużej liczby znaków.

Wszelkie używane piktogramy powinny być maksymalnie proste i powinny zawierać tylko najważniejsze elementy.

Utylizacja urządzenia, w którym używane są łatwopalne czynniki chłodnicze

Patrz przepisy krajowe.

Przechowywanie sprzętu/urządzeń

Urządzenia należy przechowywać zgodnie z instrukcjami producenta.

Przechowywanie urządzenia w opakowaniu (przed sprzedażą)

Należy wykonać zabezpieczenie dzięki któremu mechaniczne uszkodzenie urządzenia w opakowaniu nie spowoduje wycieku czynnika chłodniczego.

Maksymalna liczba urządzeń, które wolno przechowywać razem zostanie określona przez przepisy lokalne.