

emerio®

PAC-127068.1



Portable air conditioner (EN)

Mobiles Klimagerät (DE)

Climatiseur portable (FR)

Portabel luftkonditionering (SE)

Mobiele airconditioner (NL)

Klimatyzator przenośny (PL)

Aire acondicionado portátil (ES)



Content – Inhalt – Teneur – Innehåll – Inhoud – Treść – Contenido

Instruction manual – English	- 2 -
Bedienungsanleitung – German	- 18 -
Mode d'emploi – French	- 37 -
Bruksanvisning – Swedish	- 55 -
Gebruiksaanwijzing – Dutch	- 71 -
Instrukcja obsługi – Polish	- 89 -
Manual de Instrucciones – Spanish	- 108 -

SAFETY INSTRUCTIONS

Before use make sure to read all of the below instructions in order to avoid injury or damage, and to get the best results from the appliance. Make sure to keep this manual in a safe place. If you give or transfer this appliance to someone else make sure to also include this manual.

In case of damage caused by user failing to follow the instructions in this manual the warranty will be void. The manufacturer/importer accepts no liability for damages caused by failure to follow the manual, a negligent use or use not in accordance with the requirements of this manual.

1. Read and save these instructions. Attention: pictures in the instructions are for reference only.
2. This appliance can be used by children aged from 8 years and above and persons with reduced physical, sensory or mental capabilities or lack of experience and knowledge if they have been given supervision or instruction concerning use of the appliance in a safe way and understand the hazards involved.
3. Children shall not play with the appliance.
4. Cleaning and user maintenance shall not be made by children without supervision.
5. If the supply cord is damaged, it must be replaced by the manufacturer, its service agent or similarly qualified persons in order to avoid a hazard.
6. Indoor use only.
7. Do not use the unit in an area: near to source of fire; where oil is likely to splash; exposed to direct sunlight; where water is likely to splash; near a bath, a laundry, a shower or a swimming pool.
8. Never insert your fingers, rods into the air outlet. Take special care to warn children of these dangers.
9. Keep the unit upward while transport and storage, for the compressor locates properly.

10. Before cleaning or moving the appliance, always turn off and disconnect the power supply.
11. To avoid the possibility of fire disaster, the appliance shall not be covered.
12. All the air-conditioner sockets must comply with the local electric safety requirements. If necessary, please check it for the requirements.
13. The appliance shall be installed in accordance with national wiring regulations.
14. Details of type and rating of fuses: T, 250V AC, 2A or 3.15A.
15. Contact authorized service technician for repair or maintenance of this unit.
16. Do not pull, deform or modify the power supply cord, or immerse it in water. Pulling or misuse of the power supply cord can result in damage to the unit and cause electrical shock.
17. Compliance with national gas regulations shall be observed.
18. Servicing shall only be performed as recommended by the equipment manufacturer. Maintenance and repair requiring the assistance of other skilled personnel shall be carried out under the supervision of the person competent in the use of flammable refrigerants.
19. Do not operate or stop the unit by inserting or pulling out power plug, it may cause electric shock or fire due to heat generation.
20. Unplug the unit if strange sounds, smell, or smoke comes from it.
21. Always plug the appliance into an earthed plug socket.
22. In case of any damage, please turn off the switch, disconnect the power supply, and contact an authorized service center for repair.
23. Do not use means to accelerate the defrosting process or to clean, other than those recommended by the manufacturer.

24. The appliance shall be stored in a room without continuously operating ignition sources (for example: open flames, an operating gas appliance or an operating electric heater.)
25. Do not pierce or burn.
26. Be aware that refrigerants may not contain an odour.
27. This appliance contains R290 refrigerant gas. R290 is a refrigerant gas that complies with the European directives on the environment. Do not puncture any part of the refrigerant circuit.
28. If the appliance is installed, operated or stored in an unventilated area, the room must be designed to prevent to the accumulation of refrigerant leaks resulting in a risk of fire or explosion due to ignition of the refrigerant caused by electric heaters, stoves, or other sources of ignition.
29. The appliance must be stored in such a way as to prevent mechanical failure.
30. Individuals who operate or work on the refrigerant circuit must have the appropriate certification issued by an accredited organization that ensures competence in handling refrigerants according to a specific evaluation recognized by associations in the industry.
31. Repairs must be performed based on the recommendation from the manufacturing company. Maintenance and repairs that require the assistance of other qualified personnel must be performed under the supervision of an individual specified in the use of flammable refrigerants.
32. Always let the appliance rest for at least 2 hours after moving it from one location to another.
33. Regarding the instructions for repairing appliances containing R290, please kindly refer to below paragraphs.



Warning: Risk of fire / Flammable materials.



Read instruction manuals.



Operator's manual; operating instructions.



Service indicator; read technical manual.

Warning: Keep ventilation openings clear of obstruction.

Warning: The appliance shall be stored in a well-ventilated area where the room size corresponds to the room area as specified for operation.

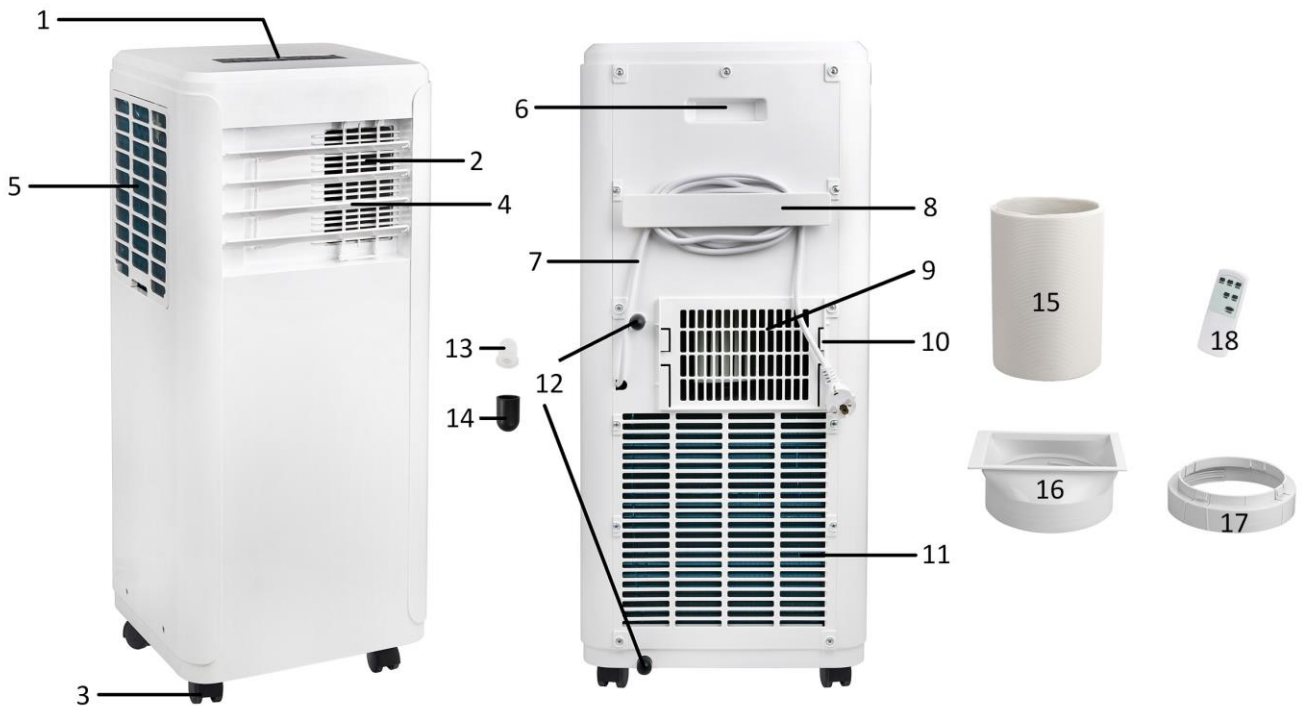
All working procedure that affects safety means shall only be carried out by competent persons.

The required distance around the unit should be at least 30cm.

Appliance shall be installed, operated and stored in a room with a floor area larger than X m².

MODEL	X (m ²)	Model
5000Btu/h,7000Btu/h, 8000Btu/h	4	-
9000Btu/h,10000Btu/h, 10500Btu/h	12	-
12000Btu/h,14000Btu/h, 16000Btu/h,18000Btu/h	15	PAC-127068.1

PARTS DESCRIPTION

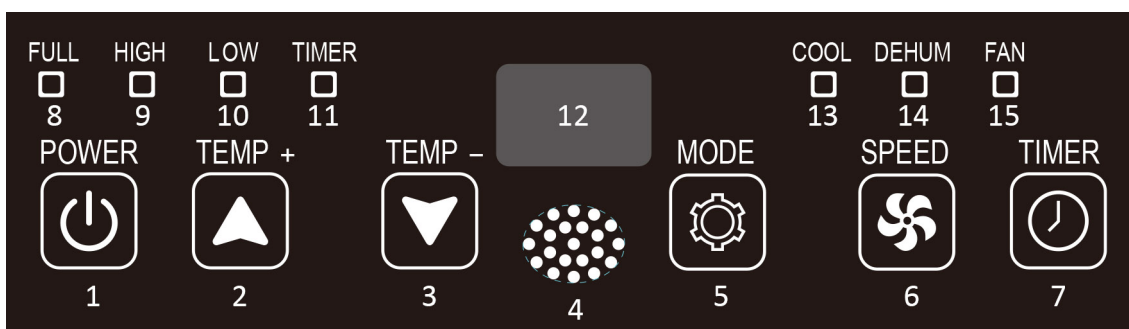


- | | |
|---|--|
| 1. Control panel | 10. Bracket for hose connector (Air conditioner end) |
| 2. Air outlet | 11. Air inlet |
| 3. Wheel | 12. Drain port |
| 4. Louver to control the up and down wind direction | 13. Rubber stopper to the drain port |
| 5. Air filter | 14. Rubber boot |
| 6. Handle | 15. Hot air exhaust hose |
| 7. Power cord | 16. Hose connector (Air conditioner end) |
| 8. Power cord storage | 17. Hose connector (Window end) |
| 9. Hot air exhaust outlet | 18. Remote control |

Remote control

This unit has a remote control. 2 x 1.5V AAA batteries are to be installed. The functions of the remote control buttons are the same as of the buttons on the control panel.

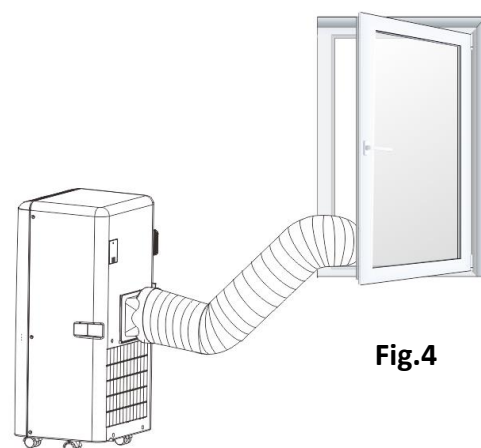
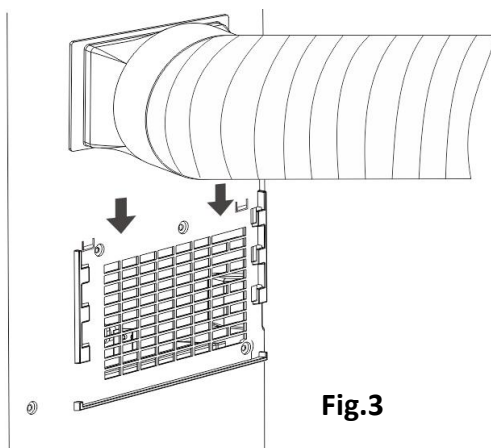
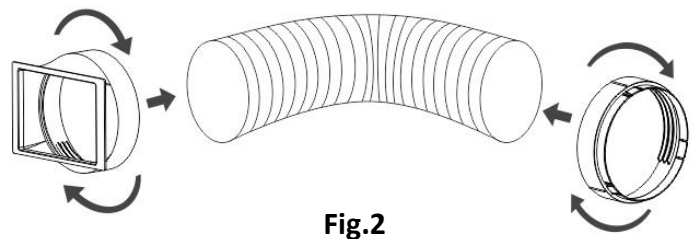
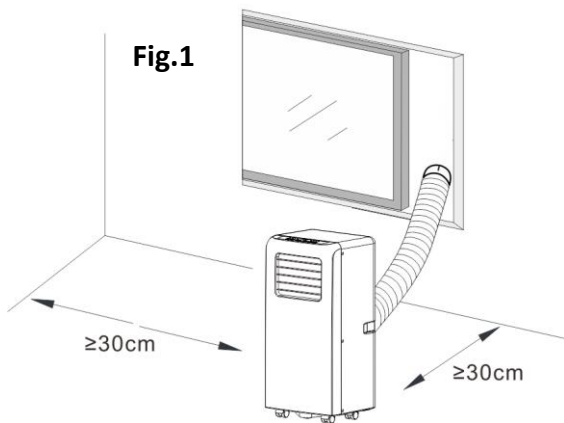
Control panel



1. Power button
2. Temperature (timer) increasing button
3. Temperature (timer) decreasing button
4. Remote control signal receiver window
5. Mode button
6. Wind speed button
7. Timer on/off button
8. Water full indicator light
9. High speed indicator light
10. Low speed indicator light
11. Timer indicator light
12. Digital display
13. Cooling mode indicator light
14. Dehumidification mode indicator light
15. Fan mode indicator light

INSTALLATION (The pictures below are for the guideline to install the appliance. The appearance of the appliance may be different from the product you purchased.)

- The unit shall be installed on a flat surface where the air outlet would not be blocked. The required distance around the unit should be at least 30cm. **(Fig.1)**
- The unit shall not be installed in a laundry room.
- Twist both hose connectors onto the hot air exhaust hose. **(Fig.2)**
- Insert the hose connector (Air conditioner end) into the brackets on the back of the unit. **(Fig.3)**
- Put the other end of the exhaust hose to the nearby windowsill. **(Fig.4)**



OPERATION

Always let the appliance rest for at least 2 hours after moving it from one location to another. Before use, check up whether the exhaust hose has been mounted properly. Plug in the appliance.

1. Power button

Press the button "POWER" to turn on the appliance. The appliance will begin to work under cooling mode at low wind speed. Press the button again, the appliance will be turned off.

2. Temperature (timer) increasing button & temperature (timer) decreasing button

Press the button "TEMP+"/"TEMP-" to set your desired room temperature from 16°C to 31°C. The buttons can also be used for timer adjustment from 1-24 hours during timer setting. The value will be increased/decreased by 1 (°C/hour) for each press. Long press for rapid adjustment.

Please note: The appliance will turn off the compressor (for cooling) automatically once the room temperature reaches the set temperature. The compressor will be turned on automatically when the room temperature increases above the set temperature. The fan inside is always working throughout this process. When the compressor is working, the unit will vibrate slightly. This is normal and harmless.

3. Wind speed button

Press the button "SPEED" to switch the wind speed between low and high. The corresponding indicator light "LOW"/"HIGH" will illuminate.

4. Mode button

Press the button "MODE" to choose your desired working mode among cooling, dehumidification and fan.

- Under cooling mode, the corresponding indicator light "COOL" will illuminate. Press the button "TEMP+"/"TEMP-" to set your desired room temperature. Press the button "SPEED" to set your desired wind speed.
- Under dehumidification mode, the corresponding indicator light "DEHUM" will illuminate. The appliance will automatically set the working temperature (2°C below the current room temperature) and set the wind speed at low. Temperature and wind speed cannot be adjusted manually.
- Under fan mode, the corresponding indicator light "FAN" will illuminate. Press the button "SPEED" to switch the wind speed between low and high. Please note: Under this mode, no temperature function is equipped. The digital display shows a value and that is meaningless.

5. Timer on/off button

Timer ON setting:

- When the appliance is OFF, press the button "TIMER", the corresponding indicator light "TIMER" will illuminate.
- Press the button "TEMP+"/"TEMP-" to select a desired ON time from 1-24 hours. The "Preset ON Time" will flash on the digital display. Press the button "TIMER" again (when still flashing) and the setting will be in effect.
- The appliance will automatically turn on once the "Preset ON Time" has passed.

Timer OFF setting:

- When the appliance is ON, press the button "TIMER", the corresponding indicator light "TIMER" will illuminate.
- Press the button "TEMP+"/"TEMP-" to select a desired OFF time from 1-24 hours. The "Preset OFF Time" will flash on the digital display. Press the button "TIMER" again (when still flashing) and the setting will be in effect.
- The appliance will automatically turn off once the "Preset OFF Time" has passed.

Note: The digital display will show the countdown time by hour after the timer is set. Press the button "TIMER" again, the timer function will be canceled.

NOTE: The appliance will keep working with the previous set mode once turned on again without being unplugged. If the appliance has been disconnected before, it will begin to work under cooling mode at low wind speed once turned on again.

CAUTIONS for cooling and dehumidification operations:

- When using functions on cooling and dehumidification, keep an interval of at least 3 minutes between each power on or off.
- Power supply shall meet the requirements.
- The socket is suitable for AC use.
- Do not share one socket with other appliances.
- Power supply is AC220-240V, 50Hz.

Water full alarm

Under normal use, the unit can evaporate the condensed water automatically, and little of water will be accumulated in the inner water tray.

As soon as the condensed water collected in the inner water tray reaches a certain height, a water full alarm will be sent out: the water full indicator light will illuminate, and the digital display will show "E2" code approx. 5 minutes later.

Thus, when the water full alarm occurs, please drain the water in the water tray. Remove the rubber boot and then the rubber stopper from the drain port at the bottom of the unit, and drain out the water.

Continuous drainage

Continuous drainage can be used to avoid the water full alarm disturbance. Prepare a drain hose. Connect it to the drain port at the middle of the unit and drain water into a bucket or floor drain. The unit can also work well.

- If you plan to leave this unit unused for a long time, please use both of the drain ports to drain out the water.
- If the condensed water accumulates fast and leads to water full alarms shortly, the splash motor inside the machine may be damaged. In this case, please contact our service department at www.emerio.eu/service

CLEANING AND MAINTENANCE

- Before cleaning, be sure to disconnect the appliance from any electric supply outlet.
- Do not use gasoline or other chemicals to clean the appliance.
- Do not wash the appliance directly.

Air Filter

If the air filter becomes clogged with dust/dirt, the air filter should be cleaned once every two weeks.

- Pull out the air filter from the bottom to take it off the appliance.
- Clean the air filter with neutral detergent in lukewarm water (40°C) and dry it up in the shade.
- Insert the air filter back.

Clean the Surface

First clean the surface with a neutral detergent and wet cloth, and then wipe it with a dry cloth.

TROUBLESHOOTING

Troubles	Possible Causes	Solutions
Appliance does not start when pressing the power button	Water full indicator light blinks, and water tray is full.	Remove the rubber stopper to dump the water out from the drainage outlet.
	Room temperature is lower than the setting temperature.	Reset the temperature.
Not cool enough	The doors or windows are not closed.	Make sure all the windows and doors are closed.
	There are heat sources inside the room.	Remove the heat sources if possible.
	The hot air exhaust hose is not connected or blocked.	Connect or clean the hot air exhaust hose.
	Temperature setting is too high.	Reset the temperature.
Noisy	Air inlet is blocked.	Clean the air inlet.
	The ground is not level or not flat enough.	Place the appliance on a flat, level surface if possible.
	The sound comes from the flowing of the refrigerant inside the appliance.	It is normal.

E0 Code	Room temperature sensor failed.	Replace the room temperature sensor. Contact authorized service technician for repair.
E1 Code	Condenser temperature sensor failed.	Replace condenser temperature sensor. Contact authorized service technician for repair.
E2 Code	Water tray full when cooling.	Take off the rubber stopper and empty the water.
E3 Code	Evaporator temperature sensor failed.	Replace evaporator temperature sensor. Contact authorized service technician for repair.
Appliance stops cooling after a running cycle of 50 minutes.	When the ambient room temperature drops to 21°C or below for 50 minutes during cooling mode, the appliance will be stopped for 5 minutes by the default programme.	No action required. This is to avoid the internal copper cooling pipes from freezing. The appliance will resume again after 5 minutes and this cycling process will be repeated continuously.

TECHNICAL DATA

Notice: Operation temperature range:

	Maximum cooling	Minimum cooling
Dry bulb temperature / Wet bulb temperature(°C)	35/24	18/12

Below data for your operating reference

Model	PAC-127068.1
Rated voltage	220-240V
Rated frequency	50Hz
Rated input	1345W
Rated current	6.0A
Cooling capacity	3500W (12000Btu/h)
Moisture removal (L/H)	1.2
Air flow	320m ³ /h

ERP INFORMATION

	Value
Trademark	Emerio
Model identification	PAC-127068.1
Sound power (cooling)	≅ 65dB(A)
Name of refrigerant	R290 (0.215kg)
Rated power input for cooling (kW)	1.345
Rated energy efficiency ratio	2.6
GWP (kgCO ₂ eq)	3
Energy efficiency class	A
Energy consumption for double ducts appliances (kWh/h)	N.A
Energy consumption for single duct appliances (kWh/h)	1.345
Power consumption in thermostat-off mode (W)	N.A
Power consumption in stand-by mode (W)	0.5W
Cooling capacity	3500W

Refrigerant leakage contributes to climate change. Refrigerant with lower global warming potential (GWP) would contribute less to global warming than a refrigerant with higher GWP, if leaked to the atmosphere. This appliance contains a refrigerant fluid with a GWP equal to 3. This means that if 1 kg of this refrigerant fluid would be leaked to the atmosphere, the impact on global warming would be 3 times higher than 1 kg of CO₂, over a period of 100 years. Never try to interfere with the refrigerant circuit yourself or disassemble the product yourself and always ask a professional.

#Energy consumption 1.345 kWh for model PAC-127068.1 in 60 minutes of use under standard test conditions. The actual energy consumption depends on how the device is used and where it is located.

For any additional information, please contact:

Emerio B.V. Oudeweg 115 2031 CC Haarlem The Netherlands	Customer service: T: +31 (0) 23 3034369 www.emerio.eu/service	Kundeninformation: T: +49 (0) 3222 1097 600 www.emerio.eu/service	Klantenservice: T: +31 (0) 23 3034369 www.emerio.eu/service
---	---	---	---

GUARANTEE AND CUSTOMER SERVICE

Before delivery our devices are subjected to rigorous quality control. If, despite all care, damage has occurred during production or transportation, please return the device to your dealer. In addition to statutory legal rights, the purchaser has an option to claim under the terms of the following guarantee:

For the purchased device we provide 2 years guarantee, commencing from the day of sale. If you have a defective product, you can directly go back to the point of purchase.

Defects which arise due to improper handling of the device and malfunctions due to interventions and repairs by third parties or the fitting of non-original parts are not covered by this guarantee. Always keep your receipt, without the receipt you can't claim any form of warranty. Damage caused by not following the instruction manual, will lead to a void of warranty, if this results in consequential damages then we will not be liable. Neither can we hold responsible for material damage or personal injury caused by improper use if the instruction manual is not properly executed. Damage to accessories does not mean free replacement of the whole appliance. In such case please contact our service department. Broken glass or breakage of plastic parts is always subject to a charge. Defects to consumables or parts subjected to wearing, as well as cleaning, maintenance or the replacement of said parts are not covered by the warranty and are to be paid.

ENVIRONMENT FRIENDLY DISPOSAL



Recycling – European Directive 2012/19/EU

This marking indicates that this product should not be disposed with other household wastes. To prevent possible harm to the environment or human health from uncontrolled waste disposal, recycle it responsibly to promote the sustainable reuse of material resources. To return your used device, please use the return and collection systems or contact the retailer where the product was purchased. They can take this product for environmental safe recycling.



BATTERY MUST BE RECYCLED OR DISPOSED OF PROPERLY. DO NOT OPEN. DO NOT DISPOSE OR IN FIRE OR SHORT CIRCUIT.

Emerio B.V. Oudeweg 115 2031 CC Haarlem The Netherlands	Customer service: T: +31 (0) 23 3034369 www.emerio.eu/service	Kundeninformation: T: +49 (0) 3222 1097 600 www.emerio.eu/service	Klantenservice: T: +31 (0) 23 3034369 www.emerio.eu/service
---	---	---	---

Looking for spare parts? Have a look at www.spareparts.emerio.eu

Sie brauchen Ersatzteile? Besuchen Sie www.ersatzteile.emerio.eu

Onderdelen nodig? Kijk op www.onderdelen.emerio.eu

INSTRUCTIONS FOR REPAIRING APPLIANCES CONTAINING R290

1. Servicing

1) Checks to the area

Prior to beginning work on systems containing flammable refrigerants, safety checks are necessary to ensure that the risk of ignition is minimised. For repair to the refrigerating system, the following precautions shall be complied with prior to conducting work on the system.

2) Work procedure

Work shall be undertaken under a controlled procedure so as to minimise the risk of a flammable gas or vapour being present while the work is being performed.

3) General work area

All maintenance staff and others working in the local area shall be instructed on the nature of work being carried out. Work in confined spaces shall be avoided. The area around the workspace shall be sectioned off. Ensure that the conditions within the area have been made safe by control of flammable material.

4) Checking for presence of refrigerant

The area shall be checked with an appropriate refrigerant detector prior to and during work, to ensure the technician is aware of potentially flammable atmospheres. Ensure that the leak detection equipment being used is suitable for use with flammable refrigerants, i.e. non-sparking, adequately sealed or intrinsically safe.

5) Presence of fire extinguisher

If any hot work is to be conducted on the refrigeration equipment or any associated parts, appropriate fire extinguishing equipment shall be available to hand. Have a dry powder or CO₂ fire extinguisher adjacent to the charging area.

6) No ignition sources

No person carrying out work in relation to a refrigeration system which involves exposing any pipe work that contains or has contained flammable refrigerant shall use any sources of ignition in such a manner that it may lead to the risk of fire or explosion. All possible ignition sources, including cigarette smoking, should be kept sufficiently far away from the site of installation, repairing, removing and disposal, during which flammable refrigerant can possibly be released to the surrounding space. Prior to work taking place, the area around the equipment is to be surveyed to make sure that there are no flammable hazards or ignition risks. "No Smoking" signs shall be displayed.

7) Ventilated area

Ensure that the area is in the open or that it is adequately ventilated before breaking into the system or conducting any hot work. A degree of ventilation shall continue during the period that the work is carried out. The ventilation should safely disperse any released refrigerant and preferably expel it externally into the atmosphere.

8) Checks to the refrigeration equipment

Where electrical components are being changed, they shall be fit for the purpose and to the correct specification. At all times the manufacturer's maintenance and service guidelines shall be followed. If in doubt consult the manufacturer's technical department for assistance.

The following checks shall be applied to installations using flammable refrigerants:

- The charge size is in accordance with the room size within which the refrigerant containing parts are installed;
- The ventilation machinery and outlets are operating adequately and are not obstructed;
- If an indirect refrigerating circuit is being used, the secondary circuit shall be checked for the presence of refrigerant;
- Marking to the equipment continues to be visible and legible. Markings and signs that are illegible shall be corrected;
- Refrigeration pipe or components are installed in a position where they are unlikely to be exposed to any substance which may corrode refrigerant containing components, unless the components are constructed of materials which are inherently resistant to being corroded or are suitably protected against being so corroded.

9) Checks to electrical devices

Repair and maintenance to electrical components shall include initial safety checks and component inspection procedures. If a fault exists that could compromise safety, then no electrical supply shall be connected to the circuit until it is satisfactorily dealt with. If the fault cannot be corrected immediately but it is necessary to continue operation, an adequate temporary solution shall be used. This shall be reported to the owner of the equipment so all parties are advised. Initial safety checks shall include:

- That capacitors are discharged: this shall be done in a safe manner to avoid possibility of sparking;
- That there no live electrical components and wiring are exposed while charging, recovering or purging the system;
- That there is continuity of earth bonding.

2. Repairs to sealed components

1) During repairs to sealed components, all electrical supplies shall be disconnected from the equipment being worked upon prior to any removal of sealed covers, etc. If it is absolutely necessary to have an electrical supply to equipment during servicing, then a permanently operating form of leak detection shall be located at the most critical point to warn of a potentially hazardous situation.

2) Particular attention shall be paid to the following to ensure that by working on electrical components, the casing is not altered in such a way that the level of protection is affected. This shall include damage to cables, excessive number of connections, terminals not made to original specification, damage to seals, incorrect fitting of glands, etc.

Ensure that apparatus is mounted securely. Ensure that seals or sealing materials have not degraded such that they no longer serve the purpose of preventing the ingress of flammable atmospheres. Replacement parts shall be in accordance with the manufacturer's specifications.

NOTE: The use of silicon sealant may inhibit the effectiveness of some types of leak detection equipment. Intrinsically safe components do not have to be isolated prior to working on them.

3. Repair to intrinsically safe components

Do not apply any permanent inductive or capacitance loads to the circuit without ensuring that this will not exceed the permissible voltage and current permitted for the equipment in use. Intrinsically safe components are the only types that can be worked on while live in the presence of a flammable atmosphere. The test apparatus shall be at the correct rating. Replace components only with parts specified by the manufacturer. Other parts may result in the ignition of refrigerant in the atmosphere from a leak.

4. Cabling

Check that cabling will not be subject to wear, corrosion, excessive pressure, vibration, sharp edges or any other adverse environmental effects. The check shall also take into account the effects of aging or continual vibration from sources such as compressors or fans.

5. Detection of flammable refrigerants

Under no circumstances shall potential sources of ignition be used in the searching for or detection of refrigerant leaks. A halide torch (or any other detector using a naked flame) shall not be used.

6. Leak detection methods

The following leak detection methods are deemed acceptable for systems containing flammable refrigerants. Electronic leak detectors shall be used to detect flammable refrigerants, but the sensitivity may not be adequate, or may need re-calibration. (Detection equipment shall be calibrated in a refrigerant-free area.) Ensure that the detector is not a potential source of ignition and is suitable for the refrigerant used. Leak detection equipment shall be set at a percentage of the LFL of the refrigerant and shall be calibrated to the

refrigerant employed and the appropriate percentage of gas (25 % maximum) is confirmed. Leak detection fluids are suitable for use with most refrigerants but the use of detergents containing chlorine shall be avoided as the chlorine may react with the refrigerant and corrode the copper pipe-work. If a leak is suspected, all naked flames shall be removed/ extinguished. If a leakage of refrigerant is found which requires brazing, all of the refrigerant shall be recovered from the system, or isolated (by means of shut off valves) in a part of the system remote from the leak. Oxygen free nitrogen (OFN) shall then be purged through the system both before and during the brazing process.

7. Removal and evacuation

When breaking into the refrigerant circuit to make repairs – or for any other purpose – conventional procedures shall be used. However, it is important that best practice is followed since flammability is a consideration. The following procedure shall be adhered to:

- Remove refrigerant;
- Purge the circuit with inert gas;
- Evacuate;
- Purge again with inert gas;
- Open the circuit by cutting or brazing.

The refrigerant charge shall be recovered into the correct recovery cylinders. The system shall be “flushed” with OFN to render the unit safe. This process may need to be repeated several times. Compressed air or oxygen shall not be used for this task. Flushing shall be achieved by breaking the vacuum in the system with OFN and continuing to fill until the working pressure is achieved, then venting to atmosphere, and finally pulling down to a vacuum. This process shall be repeated until no refrigerant is within the system. When the final OFN charge is used, the system shall be vented down to atmospheric pressure to enable work to take place. This operation is absolutely vital if brazing operations on the pipe-work are to take place. Ensure that the outlet for the vacuum pump is not close to any ignition sources and there is ventilation available.

8. Charging procedures

In addition to conventional charging procedures, the following requirements shall be followed.

- Ensure that contamination of different refrigerants does not occur when using charging equipment. Hoses or lines shall be as short as possible to minimise the amount of refrigerant contained in them.
- Cylinders shall be kept upright.
- Ensure that the refrigeration system is earthed prior to charging the system with refrigerant.
- Label the system when charging is complete (if not already).
- Extreme care shall be taken not to overfill the refrigeration system.

Prior to recharging the system it shall be pressure tested with OFN. The system shall be leak tested on completion of charging but prior to commissioning. A follow up leak test shall be carried out prior to leaving the site.

9. Decommissioning

Before carrying out this procedure, it is essential that the technician is completely familiar with the equipment and all its detail. It is recommended good practice that all refrigerants are recovered safely. Prior to the task being carried out, an oil and refrigerant sample shall be taken in case analysis is required prior to re-use of reclaimed refrigerant. It is essential that electrical power is available before the task is commenced.

- a) Become familiar with the equipment and its operation.
- b) Isolate system electrically.
- c) Before attempting the procedure ensure that:
 - Mechanical handling equipment is available, if required for handling refrigerant cylinders;
 - All personal protective equipment is available and being used correctly;

- The recovery process is supervised at all times by a competent person;
 - Recovery equipment and cylinders conform to the appropriate standards.
- d) Pump down refrigerant system, if possible.
 - e) If a vacuum is not possible, make a manifold so that refrigerant can be removed from various parts of the system.
 - f) Make sure that cylinder is situated on the scales before recovery takes place.
 - g) Start the recovery machine and operate in accordance with manufacturer's instructions.
 - h) Do not overfill cylinders. (No more than 80 % volume liquid charge).
 - i) Do not exceed the maximum working pressure of the cylinder, even temporarily.
 - j) When the cylinders have been filled correctly and the process completed, make sure that the cylinders and the equipment are removed from site promptly and all isolation valves on the equipment are closed off.
 - k) Recovered refrigerant shall not be charged into another refrigeration system unless it has been cleaned and checked.

10. Labelling

Equipment shall be labelled stating that it has been de-commissioned and emptied of refrigerant. The label shall be dated and signed. Ensure that there are labels on the equipment stating the equipment contains flammable refrigerant.

11. Recovery

When removing refrigerant from a system, either for servicing or decommissioning, it is recommended good practice that all refrigerants are removed safely. When transferring refrigerant into cylinders, ensure that only appropriate refrigerant recovery cylinders are employed. Ensure that the correct number of cylinders for holding the total system charge is available. All cylinders to be used are designated for the recovered refrigerant and labelled for that refrigerant (i.e. special cylinders for the recovery of refrigerant). Cylinders shall be complete with pressure relief valve and associated shut-off valves in good working order. Empty recovery cylinders are evacuated and, if possible, cooled before recovery occurs. The recovery equipment shall be in good working order with a set of instructions concerning the equipment that is at hand and shall be suitable for the recovery of flammable refrigerants. In addition, a set of calibrated weighing scales shall be available and in good working order. Hoses shall be complete with leak-free disconnect couplings and in good condition. Before using the recovery machine, check that it is in satisfactory working order, has been properly maintained and that any associated electrical components are sealed to prevent ignition in the event of a refrigerant release. Consult manufacturer if in doubt. The recovered refrigerant shall be returned to the refrigerant supplier in the correct recovery cylinder, and the relevant Waste Transfer Note arranged. Do not mix refrigerants in recovery units and especially not in cylinders. If compressors or compressor oils are to be removed, ensure that they have been evacuated to an acceptable level to make certain that flammable refrigerant does not remain within the lubricant. The evacuation process shall be carried out prior to returning the compressor to the suppliers. Only electric heating to the compressor body shall be employed to accelerate this process. When oil is drained from a system, it shall be carried out safely.

Competence of service personnel

General

Special training additional to usual refrigerating equipment repair procedures is required when equipment with flammable refrigerants is affected.

In many countries, this training is carried out by national training organisations that are accredited to teach the relevant national competency standards that may be set in legislation.

The achieved competence should be documented by a certificate.

Training

The training should include the substance of the following:

Information about the explosion potential of flammable refrigerants to show that flammables may be dangerous when handled without care.

Information about potential ignition sources, especially those that are not obvious, such as lighters, light switches, vacuum cleaners, electric heaters.

Information about the different safety concepts:

Unventilated – Safety of the appliance does not depend on ventilation of the housing. Switching off the appliance or opening of the housing has no significant effect on the safety. Nevertheless, it is possible that leaking refrigerant may accumulate inside the enclosure and flammable atmosphere will be released when the enclosure is opened.

Ventilated enclosure – Safety of the appliance depends on ventilation of the housing. Switching off the appliance or opening of the enclosure has a significant effect on the safety. Care should be taken to ensure a sufficient ventilation before.

Ventilated room – Safety of the appliance depends on the ventilation of the room. Switching off the appliance or opening of the housing has no significant effect on the safety. The ventilation of the room shall not be switched off during repair procedures.

Information about the concept of sealed components and sealed enclosures according to IEC 60079-15:2010.

Information about the correct working procedures:

a) Commissioning

- Ensure that the floor area is sufficient for the refrigerant charge or that the ventilation hose is assembled in a correct manner.
- Connect the pipes and carry out a leak test before charging with refrigerant.
- Check safety equipment before putting into service.

b) Maintenance

- Portable equipment shall be repaired outside or in a workshop specially equipped for servicing units with flammable refrigerants.
- Ensure sufficient ventilation at the repair place.
- Be aware that malfunction of the equipment may be caused by refrigerant loss and a refrigerant leak is possible.
- Discharge capacitors in a way that won't cause any spark. The standard procedure to short circuit the capacitor terminals usually creates sparks.
- Reassemble sealed enclosures accurately. If seals are worn, replace them.
- Check safety equipment before putting into service.

c) Repair

- Portable equipment shall be repaired outside or in a workshop specially equipped for servicing units with flammable refrigerants.
- Ensure sufficient ventilation at the repair place.
- Be aware that malfunction of the equipment may be caused by refrigerant loss and a refrigerant leak is possible.
- Discharge capacitors in a way that won't cause any spark.
- When brazing is required, the following procedures shall be carried out in the right order:
 - Remove the refrigerant. If the recovery is not required by national regulations, drain the refrigerant to the outside. Take care that the drained refrigerant will not cause any danger. In doubt, one person should guard the outlet. Take special care that drained refrigerant will not float back into the building.
 - Evacuate the refrigerant circuit.
 - Purge the refrigerant circuit with nitrogen for 5 min.
 - Evacuate again.
 - Remove parts to be replaced by cutting, not by flame.
 - Purge the braze point with nitrogen during the brazing procedure.

- Carry out a leak test before charging with refrigerant.
 - Reassemble sealed enclosures accurately. If seals are worn, replace them.
 - Check safety equipment before putting into service.
- d) Decommissioning
- If the safety is affected when the equipment is putted out of service, the refrigerant charge shall be removed before decommissioning.
 - Ensure sufficient ventilation at the equipment location.
 - Be aware that malfunction of the equipment may be caused by refrigerant loss and a refrigerant leak is possible.
 - Discharge capacitors in a way that won't cause any spark.
 - Remove the refrigerant. If the recovery is not required by national regulations, drain the refrigerant to the outside. Take care that the drained refrigerant will not cause any danger. In doubt, one person should guard the outlet. Take special care that drained refrigerant will not float back into the building.
 - Evacuate the refrigerant circuit.
 - Purge the refrigerant circuit with nitrogen for 5 min.
 - Evacuate again.
 - Fill with nitrogen up to atmospheric pressure.
 - Put a label on the equipment that the refrigerant is removed.
- e) Disposal
- Ensure sufficient ventilation at the working place.
 - Remove the refrigerant. If the recovery is not required by national regulations, drain the refrigerant to the outside. Take care that the drained refrigerant will not cause any danger. In doubt, one person should guard the outlet. Take special care that drained refrigerant will not float back into the building.
 - Evacuate the refrigerant circuit.
 - Purge the refrigerant circuit with nitrogen for 5 min.
 - Evacuate again.
 - Cut out the compressor and drain the oil.

Transportation, marking and storage for units that employ flammable refrigerants

Transport of equipment containing flammable refrigerants

Attention is drawn to the fact that additional transportation regulations may exist with respect to equipment containing flammable gas. The maximum number of pieces of equipment or the configuration of the equipment, permitted to be transported together will be determined by the applicable transport regulations.

Marking of equipment using signs

Signs for similar appliances used in a work area generally are addressed by local regulations and give the minimum requirements for the provision of safety and/or health signs for a work location.

All required signs are to be maintained and employers should ensure that employees receive suitable and sufficient instruction and training on the meaning of appropriate safety signs and the actions that need to be taken in connection with these signs.

The effectiveness of signs should not be diminished by too many signs being placed together.

Any pictograms used should be as simple as possible and contain only essential details.

Disposal of equipment using flammable refrigerants

See national regulations.

Storage of equipment/appliances

The storage of equipment should be in accordance with the manufacturer's instructions.

Storage of packed (unsold) equipment

Storage package protection should be constructed such that mechanical damage to the equipment inside the package will not cause a leak of the refrigerant charge.

The maximum number of pieces of equipment permitted to be stored together will be determined by local regulations.

SICHERHEITSHINWEISE

Lesen Sie vor dem Gebrauch unbedingt die nachfolgenden Anleitungen, um Verletzungen oder Beschädigungen zu vermeiden und das beste Ergebnis mit dem Gerät zu erzielen. Bewahren Sie diese Bedienungsanleitung an einem sicheren Ort auf. Wenn Sie dieses Gerät an eine andere Person weitergeben, stellen Sie sicher, dass Sie auch diese Bedienungsanleitung aushändigen.

Im Falle von Beschädigungen, die durch die Missachtung der Anleitungen in dieser Bedienungsanleitung verursacht wurden, wird die Garantie ungültig. Der Hersteller/Importeur haftet nicht für Schäden, die durch Missachtung der Bedienungsanleitung, fahrlässigen Gebrauch oder Benutzung, die nicht in Übereinstimmung mit den Anforderungen dieser Bedienungsanleitung erfolgt, verursacht wurden.

1. Lesen und bewahren Sie diese Anleitungen auf. Achtung: Die Bilder in der Bedienungsanleitung dienen nur zur Veranschaulichung.
2. Dieses Gerät kann von Kindern ab 8 Jahren und von Personen mit eingeschränkten physischen, sensorischen oder geistigen Fähigkeiten oder ohne Erfahrung und/oder Wissen benutzt werden, wenn diese durch eine für ihre Sicherheit zuständige Person beaufsichtigt werden oder von ihr Anweisungen erhielten, wie das Gerät sicher zu benutzen ist und sie auf die Risiken aufmerksam gemacht wurden.
3. Kinder dürfen nicht mit dem Gerät spielen.
4. Kinder sollten dieses Gerät nicht unbeaufsichtigt reinigen oder warten.
5. Wenn die Netzanschlussleitung dieses Gerätes beschädigt wird, muss sie durch den Hersteller oder seinen Kundendienst oder eine ähnlich qualifizierte Person ersetzt werden, um Gefährdungen zu vermeiden.
6. Nur in geschlossenen Räumen verwenden.

7. Das Gerät nicht in der Nähe von Zündquellen oder dort verwenden, wo Ölspritzer entstehen können. Vor direktem Sonnenlicht und Spritzwasser schützen und nicht in der Nähe eines Bades, eines Wäscheriums, einer Dusche oder eines Schwimmbads aufstellen.
8. Die Finger nicht in den Luftauslass stecken. Kinder besonders auf diese Gefahren hinweisen.
9. Während des Transports und beim Aufbewahren das Gerät aufrecht abstellen, damit der Kompressor in korrekter Position bleibt.
10. Das Gerät vor dem Reinigen oder Verstellen immer ausschalten und vom Netz trennen.
11. Um Brände zu vermeiden, darf das Gerät nicht zugedeckt werden.
12. Alle für das Klimagerät verwendeten Steckdosen müssen die örtlichen Sicherheitsbestimmungen für Elektrogeräte erfüllen. Ggf. die Voraussetzungen hierfür überprüfen.
13. Bei der Geräteinstallation müssen die nationalen Vorschriften für die Elektroverdrahtung beachtet werden.
14. Angaben zu den Sicherungen: Träge, 250 V AC, 2 A oder 3,15 A.
15. Im Falle einer Reparatur oder Wartung am Gerät einen Vertragskundendienst kontaktieren.
16. Nicht am Netzkabel ziehen, das Kabel verändern oder in Wasser tauchen. Durch das Ziehen oder Zweckentfremden des Netzkabels können Geräteschäden und Stromschläge hervorgerufen werden.
17. Die nationalen Vorschriften für Gasverbraucher müssen eingehalten werden.
18. Reparaturen dürfen nur gemäß Empfehlungen des Herstellers vorgenommen werden. Reparatur- und Wartungsarbeiten, für die anderes Fachpersonal erforderlich ist, müssen unter Beaufsichtigung einer Person durchgeführt werden, die sich mit dem Einsatz zündfähiger Kühlmittel auskennt.

19. Zum Unterbrechen oder Abstellen des Geräts nicht den Netzstecker ziehen. Das kann Stromschläge oder Brände aufgrund der Wärmefreisetzung hervorrufen.
20. Netzstecker ziehen, falls seltsame Geräusche, Gerüche oder Rauch aus dem Gerät aufsteigen.
21. Zum Anschließen des Geräts immer eine geerdete Steckdose verwenden.
22. Im Falle einer Beschädigung das Gerät ausschalten, vom Netz trennen und zwecks Reparatur einen Vertragskundendienst kontaktieren.
23. Bis auf die vom Hersteller empfohlenen Hilfsmittel keine anderen Mittel einsetzen, um den Abtauvorgang zu beschleunigen oder das Gerät zu reinigen.
24. Das Gerät muss in einem Raum aufbewahrt werden, in dem sich keine dauerhaft funktionierenden Zündquellen befinden (z. B. offene Flammen, ein in Betrieb befindliches gasbetriebenes Gerät oder eine in Betrieb befindliche Elektroheizung).
25. Nicht hineinstecken oder verbrennen.
26. Wir weisen darauf hin, dass Kältemittel unter Umständen geruchlos sind.
27. Dieses Gerät enthält gasförmiges Kältemittel vom Typ R290. R290 ist Kältemittel in Gasform, das den europäischen Umweltrichtlinien entspricht. Der Kältemittelkreislauf darf an keiner Stelle durchstoßen werden.
28. Wird das Gerät in einem unbelüfteten Bereich installiert, betrieben oder aufbewahrt, muss der Raum so konzipiert sein, dass sich kein ausgelaufenes Kältemittel sammeln und zu einer Brand- oder Explosionsgefahr werden kann, falls das Kältemittel durch eine Elektroheizung, Ofen oder eine andere Zündquelle gezündet wird.
29. Das Gerät muss so gelagert werden, dass keine mechanischen Defekte auftreten können.

30. Die Person, die arbeiten am Kältemittelkreislauf ausführt oder diesen betreibt, muss ein entsprechendes Zertifikat vorlegen können, das von einem akkreditierten Institut ausgestellt wurde und nachweist, dass die Person über die Fachkompetenzen zur industriekonformen Handhabung von Kältemitteln verfügt.
31. Bei der Ausführung von Reparaturen müssen die Empfehlungen des Herstellers zugrunde gelegt werden. Wartungs- und Reparaturarbeiten, für die weiteres Fachpersonal erforderlich ist, müssen unter der Aufsicht einer Person durchgeführt werden, die sich mit der Verwendung zündfähiger Kältemittel auskennt.
32. Nach dem Transport an einen anderen Ort muss das Gerät immer mindestens 2 Stunden ruhen.
33. Die folgenden Absätze bei der Reparatur von Geräten mit R290 Kältemittel beachten.



Warnung: Brandgefahr / zündfähiges Material.



Anleitungen lesen.



Bedienungsanleitung; Betriebsanleitung.



Symbol für Reparatur/Wartung; technische

Anleitung lesen.

Warnung: Belüftungsöffnungen von Blockaden frei halten.

Warnung: Das Gerät muss in einem gut belüfteten Raum stehen, dessen Größe mit den Raumangaben in den technischen Daten übereinstimmt.

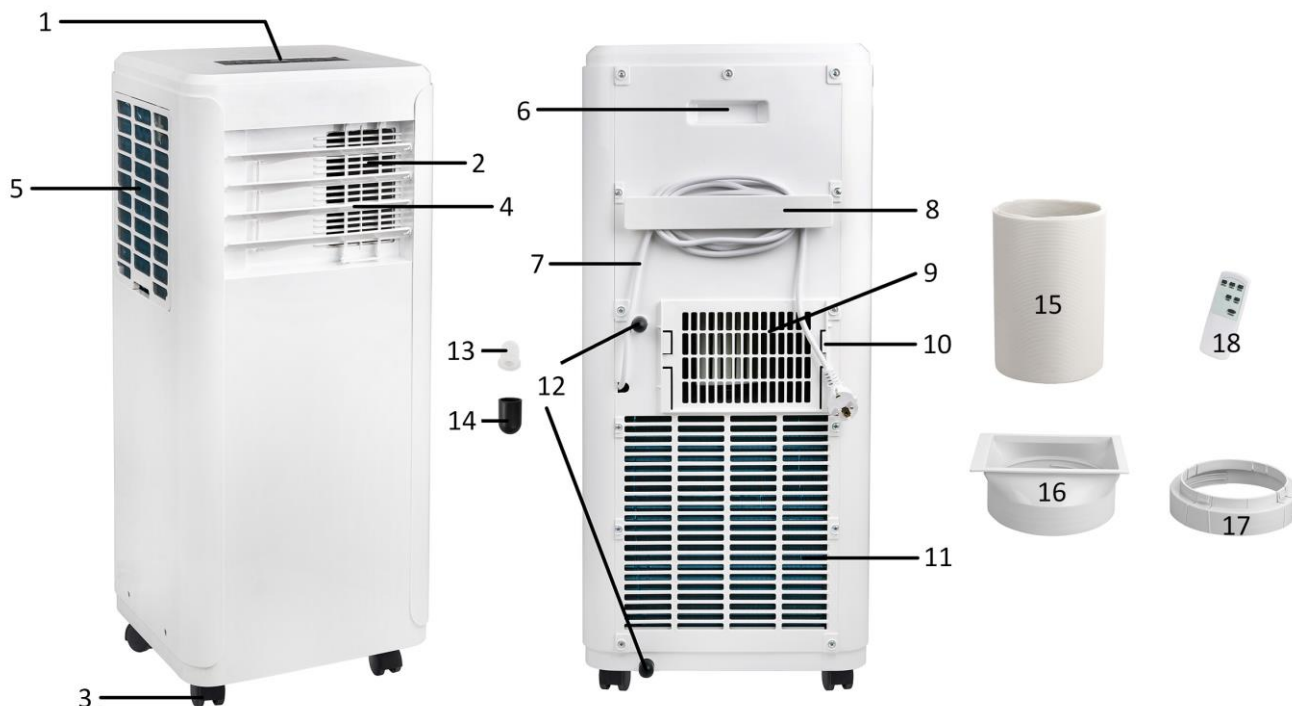
Alle Arbeitsverfahren, die sich auf Sicherheitsvorrichtungen auswirken, dürfen nur von sachkundigen Personen durchgeführt werden.

Ein Mindestabstand von 30 cm sollte um das Gerät herum eingehalten werden.

Das Gerät muss in einem Raum installiert, betrieben und aufbewahrt werden, dessen Bodenfläche größer ist als X m².

MODELL	X (m²)	Modell
5000Btu/h,7000Btu/h, 8000Btu/h	4	-
9000Btu/h,10000Btu/h, 10500Btu/h	12	-
12000Btu/h,14000Btu/h, 16000Btu/h,18000Btu/h	15	PAC-127068.1

BESCHREIBUNG DER TEILE

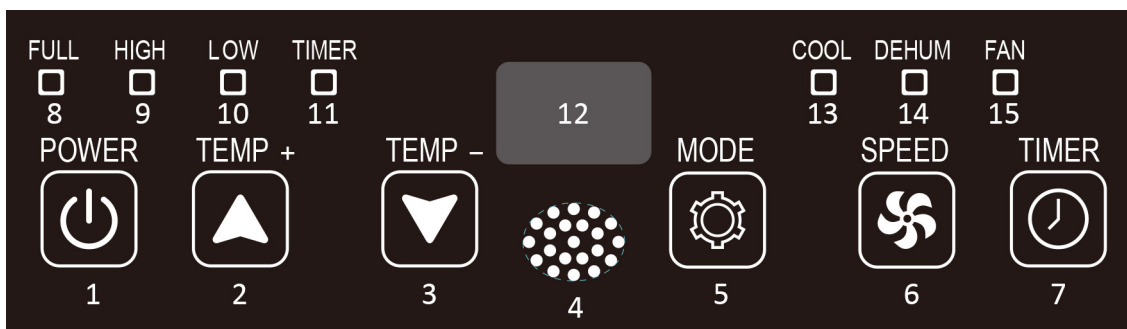


- | | |
|---|--|
| 1. Bedienfeld | 10. Halterung für Schlauchanschluss (Klimageräteseite) |
| 2. Luftauslass | 11. Lufteinlass |
| 3. Rollen | 12. Ablauf |
| 4. Lamellen zum Umlenken der Windrichtung nach oben und unten | 13. Gummiverschluss |
| 5. Luftfilter | 14. Gummimanschette |
| 6. Griff | 15. Abluftschlauch |
| 7. Netzkabel | 16. Schlauchanschluss (Klimageräteseite) |
| 8. Netzkabelaufbewahrung | 17. Schlauchanschluss (Öffnungsseite) |
| 9. Heißluftauslass | 18. Fernbedienung |

Fernbedienung

Dieses Gerät hat eine Fernbedienung. Dazu müssen 2 AAA-Batterien mit 1,5 V eingesetzt werden. Die Funktionen der Fernbedienungstasten entsprechen der Tastenbelegung des Bedienfelds.

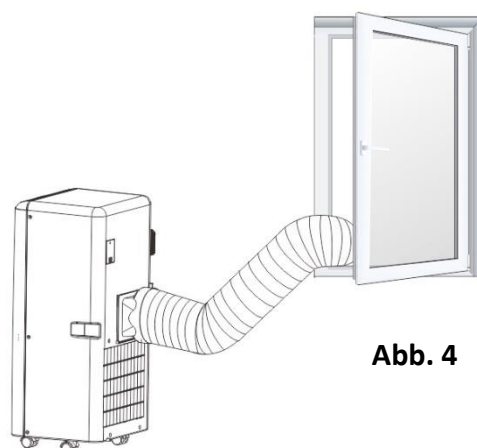
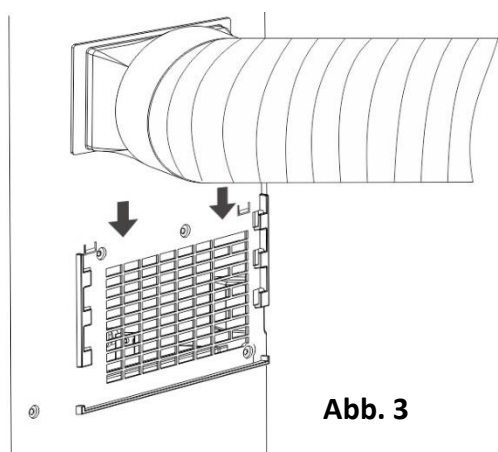
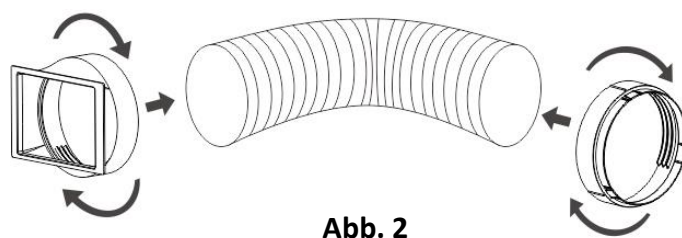
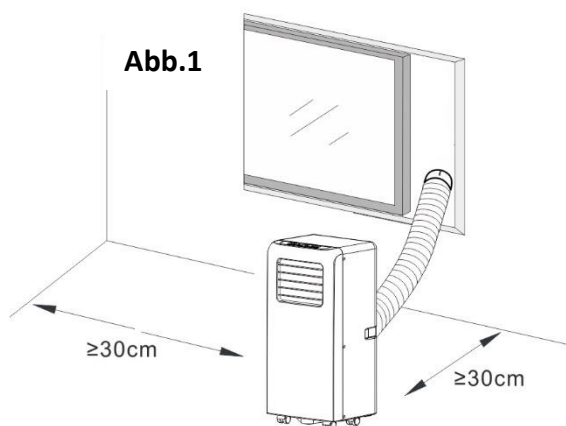
Bedienfeld



1. Einschalttaste
2. Taste Temperatur (Timer) +
3. Taste Temperatur (Timer) -
4. Fernbedienungs-Empfangsfenster
5. Modus-Taste
6. Lüfterstufenschalter
7. Timer ein/aus Taste
8. Anzeigeleuchte Wasserbehälter voll
9. Anzeigeleuchte hohe Lüfterstufe
10. Anzeigeleuchte niedrige Lüfterstufe
11. Timer-Anzeigeleuchte
12. Digitales Display
13. Anzeigeleuchte Kühlbetrieb
14. Anzeigeleuchte Entfeuchtungsbetrieb
15. Anzeigeleuchte Lüfterbetrieb

INSTALLATION (Die folgenden Abbildungen dienen als Installationsanleitung des Geräts. Das Aussehen des Geräts kann von dem jeweils gekauften Modell abweichen.)

- Das Gerät muss auf einer ebenen Fläche aufgestellt werden, auf der der Luftauslass nicht blockiert wird. Ein Mindestabstand von 30 cm sollte um das Gerät herum eingehalten werden. **(Abb.1)**
- Das Gerät darf nicht in einem Wäscheraum aufgestellt werden.
- Beide Schlauchanschlüsse auf den Abluftschlauch aufschrauben. **(Abb. 2)**
- Den Schlauchanschluss (Klimageräteseite) in die Haltevorrichtung auf der Rückseite des Geräts einführen. **(Abb. 3)**
- Das andere Ende des Abluftschlauchs zur nächsten Fensterbank verlegen. **(Abb. 4)**



BETRIEB

Nach dem Transport an einen anderen Ort muss das Gerät immer mindestens 2 Stunden ruhen. Vor dem Gebrauch prüfen, ob der Abluftschlauch auch korrekt angebracht ist. Gerät an eine Steckdose anschließen.

1. Einschalttaste

Die Taste „POWER“ drücken, um das Gerät einzuschalten. Das Gerät schaltet sich im Kühlbetrieb mit niedriger Lüfterstufe ein. Die Taste erneut drücken, um das Gerät auszuschalten.

2. Tasten Temperatur (Timer) plus & minus

Mit der Taste „TEMP+“/„TEMP-“ die gewünschte Raumtemperatur zwischen 16 und 31 °C einstellen. Die Tasten dienen bei der Timer-Einstellung auch zum Festlegen einer Laufzeit zwischen 1 und 24 Stunden . Mit jedem Tastendruck erhöht/verringert sich der Wert um 1°C (bzw. Stunde). Zum schnelleren Einstellen die Taste länger gedrückt halten.

Bitte beachten: Sobald die Raumtemperatur den Sollwert erreicht, schaltet das Gerät den Kompressor (für den Kühlbetrieb) automatisch ab. Steigt die Raumtemperatur wieder über den Sollwert an, wird der Kompressor automatisch wieder zugeschaltet. Der eingebaute Lüfter arbeitet während des gesamten Vorgangs weiter. Während des Kompressorbetriebs vibriert das Gerät leicht. Dies ist normal und harmlos.

3. Lüfterstufenschalter

Die Taste „SPEED“ drücken, um zwischen niedriger und hoher Lüfterstufe umzuschalten. Die entsprechende Lampe zeigt dann „LOW“ bzw. „HIGH“ an.

4. Modus-Taste

Die Taste „MODE“ drücken, um zwischen Kühlen, Entfeuchten und Lüfter umzuschalten.

- Bei aktivem Kühlbetrieb zeigt die entsprechende Lampe „COOL“ an. Zum Einstellen der gewünschten Raumtemperatur die Taste „TEMP+/TEMP-“ drücken. Zum Einstellen der Lüfterstufe die Taste „SPEED“ drücken.
- Bei aktivem Entfeuchtungsbetrieb zeigt die entsprechende Lampe „DEHUM“ an. Das Gerät legt die Betriebstemperatur (2 °C unter der aktuellen Raumtemperatur) automatisch fest und stellt die niedrige Lüfterstufe ein. Die Temperatur und die Lüfterstufe können nicht von Hand geändert werden.
- Bei aktivem Lüfterbetrieb zeigt die entsprechende Lampe „FAN“ an. Die Taste „SPEED“ drücken, um zwischen niedriger und hoher Lüfterstufe umzuschalten. Bitte beachten: In dieser Betriebsart ist die Temperaturfunktion deaktiviert. Das digitale Display zeigt einen Wert, der jedoch keine Bedeutung hat.

5. Timer ein/aus Taste

Einstellen des Einschalt-Timers:

- Bei ausgeschaltetem Gerät die Taste „TIMER“ drücken. Die jeweilige „TIMER“ Lampe leuchtet auf.
- Die Taste „TEMP+“/„TEMP-“ drücken, um eine Einschaltzeit zwischen 1 und 24 Stunden einzustellen. Im Display blinkt „Preset ON Time“ (voreingestellte Einschaltzeit). Die Taste „TIMER“ erneut drücken (solange die Anzeige noch blinkt). Die Einstellung wird dann übernommen.
- Sobald die voreingestellte Einschaltzeit eingetreten ist, schaltet sich das Gerät automatisch ein.

Einstellen des Ausschalt-Timers

- Bei eingeschaltetem Gerät die Taste „TIMER“ drücken. Die jeweilige „TIMER“ Lampe leuchtet auf.
- Die Taste „TEMP+“/„TEMP-“ drücken, um eine Ausschaltzeit zwischen 1 und 24 Stunden einzustellen. Im Display blinkt „Preset OFF Time“ (voreingestellte Ausschaltzeit). Die Taste „TIMER“ erneut drücken (solange die Anzeige noch blinkt). Die Einstellung wird dann übernommen.
- Sobald die voreingestellte Ausschaltzeit eingetreten ist, schaltet sich das Gerät automatisch aus.

Hinweis: Nach dem Einstellen des Timers wird im Display die abgelaufene Anzahl der Stunden angezeigt. Die Taste „TIMER“ erneut drücken, um die Timer-Funktion abzubrechen.

HINWEIS: Das Gerät setzt den Betrieb nach dem Einschalten in der zuvor eingestellten Betriebsart fort, sofern es nicht vom Netz getrennt wurde. Falls das Gerät vorher vom Netz getrennt wurde, startet es nach dem Einschalten wieder im Kühlbetrieb bei niedriger Lüfterstufe.

WARNHINWEISE für den Kühl- und Entfeuchtungsbetrieb:

- Bei Verwendung der Kühl- und Entfeuchtungsfunktionen immer jeweils 3 Minuten zwischen jedem Ein- und Ausschalten abwarten.
- Die Stromversorgung muss die Voraussetzungen erfüllen.
- Die Steckdose ist für den Wechselstrombetrieb geeignet.
- Die Steckdose nicht für andere Geräte mitbenutzen.
- Die Stromversorgung liefert 220 - 240 V AC (50 Hz).

Warnmeldung „Wasserbehälter voll“

Bei normalem Gebrauch kann das Gerät das kondensierte Wasser automatisch verdampfen, und es sammelt sich wenig Wasser im Wasserbehälter im Gerät an.

Sobald das Kondenswasser, das sich im Wasserbehälter im Gerät ansammelt, eine bestimmte Höhe erreicht, wird eine „Wasserbehälter voll“ Warnmeldung ausgelöst: Die Anzeigeleuchte „Wasserbehälter voll“ leuchtet auf und die Digitalanzeige zeigt ca. 5 Minuten später den Code „E2“ an.

Wenn also die „Wasserbehälter voll“ Warnmeldung ausgelöst wird, lassen Sie bitte das Wasser im Wasserbehälter ab. Entfernen Sie die Gummimanschette und dann den Gummiverschluss aus dem Ablauf an der Unterseite des Geräts und lassen Sie das Wasser ab.

Kontinuierliche Entwässerung

Eine kontinuierliche Entwässerung kann verwendet werden, um eine Störung durch einen vollen Wasserbehälter zu vermeiden. Bereiten Sie einen Ablaufschlauch vor. Schließen Sie ihn an den Ablauf in der Mitte des Geräts an und lassen Sie Wasser in einen Eimer oder Bodenabfluss ab. Das Gerät kann problemlos weiter arbeiten.

- Wenn Sie dieses Gerät voraussichtlich längere Zeit nicht benutzen werden, verwenden Sie bitte beide Abläufe, um das Wasser abzulassen.
- Wenn sich das Kondenswasser schnell ansammelt und innerhalb kurzer Zeit zu „Wasserbehälter voll“ Warnmeldungen führt, kann der Spritzmotor in der Maschine beschädigt werden. Bitte wenden Sie sich in diesem Fall an unseren Kundendienst unter www.emerio.eu/service

REINIGUNG UND WARTUNG

- Vor dem Reinigen den Gerätestecker aus der Steckdose ziehen.
- Zum Reinigen des Geräts kein Benzin oder sonstige Chemikalien verwenden.
- Das Gerät nicht direkt abwaschen.

Luftfilter

Falls der Luftfilter durch Staub oder Schmutz blockiert ist, sollte dieser alle zwei Wochen gereinigt werden.

- Den Luftfilter von der Unterseite herausziehen, um ihn aus dem Gerät zu entfernen.
- Den Luftfilter in lauwarmem Wasser (40 °C) und Neutralreiniger auswaschen und im Schatten an der Luft trocknen lassen.
- Den Luftfilter wieder einsetzen.

Flächen reinigen

Die Flächen zunächst mit einem Neutralreiniger und einem feuchten Lappen abwischen, danach mit einem trocknen Tuch abwischen.

PROBLEMBEHEBUNG

Probleme	Mögliche Ursachen	Lösungen
Nach dem Drücken der Einschalttaste startet das Gerät nicht	Die Anzeigeleuchte „Wasserbehälter voll“ blinkt und der Wasserbehälter ist voll.	Den Gummiverschluss abnehmen, um das Wasser über den Ablauf entweichen zu lassen.
	Raumtemperatur liegt unter der eingestellten Solltemperatur.	Die Temperatur zurückstellen.
Nicht kühl genug	Die Türen oder Fenster sind nicht geschlossen.	Alle Fenster und Türen schließen.

	Im Raum befinden sich Wärmequellen.	Die Wärmequellen nach Möglichkeit entfernen.
	Der Abluftschlauch ist nicht angeschlossen oder blockiert.	Den Abluftschlauch anschließen bzw. freimachen.
	Die Temperatureinstellung ist zu hoch.	Die Temperatur zurückstellen.
	Der Lufteinlass ist blockiert.	Lufteinlass reinigen.
Laut im Betrieb	Der Untergrund ist nicht eben oder nicht flach genug.	Gerät auf nach Möglichkeit auf eine ebene Fläche stellen.
	Das Geräusch kommt von dem strömenden Kältemittel im Gerät.	Das ist normal.
Fehlercode E0	Raumtemperatursensor ist defekt.	Den Raumtemperatursensor austauschen. Zur Reparatur eine Vertragswerkstatt kontaktieren.
Fehlercode E1	Kondensator-Temperatursensor defekt.	Kondensator-Temperatursensor austauschen. Zur Reparatur eine Vertragswerkstatt kontaktieren.
Fehlercode E2	Wasserbehälter ist während des Kühlbetriebs voll.	Den Gummiverschluss abziehen und das Wasser entleeren.
Fehlercode E3	Verdampfer-Temperatursensor defekt.	Den Verdampfer-Temperatursensor austauschen. Zur Reparatur eine Vertragswerkstatt kontaktieren.
Das Gerät stoppt die Kühlung nach einem Betriebszyklus von 50 Minuten.	Wenn die Raumtemperatur im Kühlmodus für 50 Minuten lang auf 21 °C oder darunter fällt, wird das Gerät vom Standardprogramm für 5 Minuten gestoppt.	Keine Aktion erforderlich. Dies soll verhindern, dass die internen Kupferkühlrohre einfrieren. Das Gerät wird nach 5 Minuten den Betrieb fortsetzen. Dieser Vorgang wird kontinuierlich wiederholt.

TECHNISCHE DATEN

Hinweis: Temperaturbereich im Betrieb:

	Maximale Kühlleistung	Minimale Kühlleistung
Trockentemperatur / Feuchttemperatur (°C)	35/24	18/12

Für das Gerät gelten folgende Anschlusswerte

Modell	PAC-127068.1
Nennspannung	220-240V
Nennfrequenz	50Hz
Nenneingangsleistung	1345W
Nennstrom	6.0A
Kühlleistung	3500W (12000Btu/h)
Trocknungsleistung (l/h)	1.2
Luftvolumen	320m ³ /h

ERP-INFORMATIONEN

	Wert																
Handelsmarke	Emerio																
Modellbezeichnung	PAC-127068.1																
Schallleistung (Kühlbetrieb)	≅ 65 dB(A)																
Bezeichnung des Kältemittels	R290 (0,215 kg)																
Nenneingangsleistung im Kühlbetrieb (kW)	1,345																
Bemessene Energieeffizienz	2,6																
GWP (kgCO ₂ eq)	3																
Energieeffizienzklasse	A																
Energieverbrauch bei Geräten mit Zweikreisystemen (kWh/h)	K.A																
Energieverbrauch bei Geräten mit Einkreisystemen (kWh/h)	1,345																
Leistungsverbrauch bei ausgeschaltetem Thermostat (W)	K.A																
Leistungsverbrauch im Standby (W)	0,5 W																
Kühlleistung	3500 W																
<p>Kältemittelleckagen verstärken den Klimawandel. Kältemittel mit geringerem globalem Erwärmungspotenzial verstärkt die globale Erderwärmung weniger als ein Kältemittel mit höherem Erwärmungspotenzial, wenn es in die Atmosphäre gelangt. Dieses Gerät enthält ein Kältemittel mit einem globalen Erderwärmungspotenzial von 3. Das hat folgende Bedeutung: Gelangt 1 kg dieses Kältemittels in die Atmosphäre, ist die Gefährdung durch die globale Erderwärmung über einen Zeitraum von 100 Jahren 3 Mal höher als bei CO₂. Nie versuchen, den Kältekreislauf selbst zu unterbrechen oder das Produkt auf eigene Faust zu zerlegen, sondern stets einen Fachmann fragen.</p> <p>Energieverbrauch 1,345 kWh bei Modell PAC-127068.1 innerhalb von 60 Minuten bei Einsatz unter Standard-Prüfbedingungen. Der tatsächliche Energieverbrauch hängt davon ab, wie und wo das Gerät eingesetzt wird.</p> <p>Weitere Informationen erteilt:</p> <table><tr><td>Emerio B.V.</td><td>Customer service:</td><td>Kundeninformation:</td><td>Klantenservice:</td></tr><tr><td>Oudeweg 115</td><td>T: +31 (0) 23 3034369</td><td>T: +49 (0) 3222 1097 600</td><td>T: +31 (0) 23 3034369</td></tr><tr><td>2031 CC Haarlem</td><td>www.emerio.eu/service</td><td>www.emerio.eu/service</td><td>www.emerio.eu/service</td></tr><tr><td>The Netherlands</td><td></td><td></td><td></td></tr></table>		Emerio B.V.	Customer service:	Kundeninformation:	Klantenservice:	Oudeweg 115	T: +31 (0) 23 3034369	T: +49 (0) 3222 1097 600	T: +31 (0) 23 3034369	2031 CC Haarlem	www.emerio.eu/service	www.emerio.eu/service	www.emerio.eu/service	The Netherlands			
Emerio B.V.	Customer service:	Kundeninformation:	Klantenservice:														
Oudeweg 115	T: +31 (0) 23 3034369	T: +49 (0) 3222 1097 600	T: +31 (0) 23 3034369														
2031 CC Haarlem	www.emerio.eu/service	www.emerio.eu/service	www.emerio.eu/service														
The Netherlands																	

GARANTIE UND KUNDENSERVICE

Vor der Lieferung werden unsere Geräte einer strengen Qualitätskontrolle unterzogen. Wenn, trotz aller Sorgfalt, während der Produktion oder dem Transport Beschädigungen aufgetreten sind, senden Sie das Gerät zurück an den Händler. Zusätzlich zu den gesetzlichen Rechten hat der Käufer die Option, gemäß den folgenden Bedingungen Garantie zu fordern:

Wir bieten eine 2-Jahres-Garantie für das erworbene Gerät, beginnend am Tag des Verkaufs. Wenn Sie ein defektes Produkt haben, nehmen Sie bitte direkt Kontakt mit dem Verkäufer auf.

Defekte, die aufgrund von unangemessenem Umgang mit dem Gerät entstehen und Störungen aufgrund von Eingriffen und Reparaturen Dritter oder das Montieren von nicht-Originalteilen werden nicht von dieser Garantie abgedeckt. Die Quittung immer aufbewahren, ohne Quittung wird jegliche Garantie ausgeschlossen. Bei Schäden durch Nichteinhalten der Bedienungsanleitung erlischt die Garantie, Wir sind für daraus resultierende Folgeschäden nicht haftbar. Für Materialschäden oder Verletzungen aufgrund falscher Anwendung oder Nichtbefolgen der Sicherheitshinweise sind wir nicht haftbar. Schäden an den Zubehörteilen bedeutet nicht, dass das gesamte Gerät kostenlos ausgetauscht wird. In diesem Fall kontaktieren Sie unseren Kundendienst. Zerbrochenes Glas oder Kunststoffteile sind immer kostenpflichtig. Schäden an Verbrauchsmaterialien oder Verschleißteilen, sowie Reinigung, Wartung oder Austausch der besagten Teile werden durch die Garantie nicht abgedeckt und sind deshalb kostenpflichtig.

UMWELTGERECHTE ENTSORGUNG



Wiederverwertung – Europäischen Richtlinie 2012/19/EG

Dieses Symbol zeigt an, dass das Produkt nicht zusammen mit Haushaltsabfällen entsorgt werden darf. Um Umwelt- und Gesundheitsschäden durch unkontrollierte Abfallentsorgung zu verhindern,

bitte verantwortungsbewusst entsorgen, um die nachhaltige Wiederverwertung von Ressourcen zu fördern. Nutzen Sie zur Rückgabe Ihres Altgeräts bitte die Rückgabe- und Sammelsysteme oder wenden Sie sich an den Händler bei dem Sie dieses Gerät erworben haben. Dieser kann das Gerät umweltschonend entsorgen.



BATTERIEN MÜSSEN WIEDERVERWERTET ODER KORREKT ENTSORGT WERDEN. NICHT ÖFFNEN. NICHT WEGWERFEN, IN FEUER WERFEN ODER KURZSCHLIESSEN.

Emerio B.V.
Oudeweg 115
2031 CC Haarlem
The Netherlands

Customer service:
T: +31 (0) 23 3034369
www.emerio.eu/service

Kundeninformation:
T: +49 (0) 3222 1097 600
www.emerio.eu/service

Klantenservice:
T: +31 (0) 23 3034369
www.emerio.eu/service

Looking for spare parts? Have a look at www.spareparts.emerio.eu

Sie brauchen Ersatzteile? Besuchen Sie www.ersatzteile.emerio.eu

Onderdelen nodig? Kijk op www.onderdelen.emerio.eu

ANWEISUNGEN FÜR DIE REPARATUR VON GERÄTEN, DIE R290 ENTHALTEN

1. Reparaturen

1) Prüfung des Bereichs

Vor Arbeiten an Systemen, die zündfähige Kältemittel enthalten, sind Sicherheitskontrollen erforderlich, um für eine Minimierung des Zündrisikos zu sorgen. Zur Reparatur von Kälteanlagen müssen die folgenden Sicherheitsvorkehrungen getroffen werden, bevor Arbeiten an den Anlagen durchgeführt werden.

2) Arbeitsweise

Die Arbeiten müssen unter kontrollierten Bedingungen ausgeführt werden, um das Risiko so gering wie möglich zu halten, dass während der Arbeiten zündfähige Gase oder Dämpfe vorhanden sind.

3) Allgemeines zum Arbeitsbereich

Das gesamte Wartungspersonal sowie andere, die in dem Arbeitsbereich tätig sind, müssen in die Art der auszuführenden Arbeiten eingewiesen werden. Arbeiten bei mangelndem Platzangebot sind zu vermeiden. Die Zone um den Arbeitsbereich herum muss abgesperrt werden. Es ist sicherzustellen, dass die Arbeitsbedingungen innerhalb der Zone durch eine Kontrolle des zündfähigen Materials sicher gemacht wurden.

4) Prüfung auf Kältemittel

Mit einem geeigneten Kältemittel-Detektor muss der Bereich vor Beginn und während der Arbeiten auf das Vorhandensein eines Kältemittels überprüft werden, damit das technische Personal über eine potenziell zündfähige Atmosphäre informiert ist. Das verwendete Lecksuchgerät muss für die Erkennung von zündfähigen Kältemitteln geeignet sein, d. h. es darf keine Funken bilden und es muss angemessen versiegelt bzw. eigensicher sein.

5) Prüfung auf Feuerlöschgeräte

Falls Heiarbeiten an Kälteanlagen oder dazu gehrigen Komponenten durchzufhren sind, muss eine geeignete Feuerlscheinrichtung griffbereit sein. Neben dem Einlaufbereich sollte ein Feuerlschgert mit Trockenpulver oder CO₂ bereit stehen.

6) Keine Zndquellen

Personen, die Arbeiten an einer Klteanlage ausfhren, bei denen Rohrleitungen freigelegt werden, in denen zndfhige Kltemittel geleitet werden oder wurden, drfen Zndquellen keinesfalls auf eine Weise benutzen, die zu einer Brand- oder Explosionsgefahr fhren kann. Alle mglichen Zndquellen wie etwa das Rauchen von Zigaretten sollten in gengend sicherem Abstand von dem Ort der Installation, Reparatur, Verlegung und Entsorgung fern gehalten werden, bei der unter Umstnden zndfhiges Kltemittel an die Umgebung freigesetzt wird. Vor der Ausfhrung von Arbeiten muss der Bereich um die Anlage herum auf gefhrliche Zndquellen oder Brandgefhrdungen untersucht werden. „Rauchen verboten“ Schilder mssen aufgestellt werden.

7) Belfteter Bereich

Der Arbeitsbereich muss sich im Freien befinden oder ausreichend belftet werden, bevor die Anlage geffnet wird oder Heiarbeiten durchgefhrt werden. Fr den gesamten Zeitraum der Arbeitsausfhrung muss ein gewisser Grad an Belftung aufrechterhalten bleiben. Die Belftung muss das freigesetzte Kltemittel sicher verteilen und vorzugsweise nach auen an die Atmosphre befrdern knnen.

8) berprfung der Klteanlage

Sofern Elektrokomponenten auszuwechseln sind, mssen diese fr den jeweiligen Zweck geeignet sein und die richtigen technischen Eigenschaften besitzen. Die Wartungs- und Instandhaltungsvorschriften des Herstellers mssen stets befolgt werden. Im Zweifelsfall bei der technischen Abteilung des Herstellers rckfragen.

Folgende Kontrollen mssen bei Anlagen mit zndfhigen Kltemitteln durchgefhrt werden:

- Die Einfllmenge muss der Gre des Raums entsprechen, in dem die Kltemittel enthaltenden Teile installiert werden;
- Die Belftungsmaschinen und Auslsse funktionieren einwandfrei und werden nicht blockiert;
- Bei Einsatz eines indirekten Kltemittelkreislaufs muss der sekundre Kreislauf auf Kltemittelaustritte geprft werden;

- Die Kennzeichnungen an der Anlage sind deutlich sichtbar und leserlich. Nicht lesbare Kennzeichnungen und Schilder müssen korrigiert werden;
- Kühlrohrleitungen oder Komponenten sind in Positionen installiert, in denen eine Gefährdung durch andere Stoffe, die Kältemittel enthaltende Komponenten angreifen können, unwahrscheinlich ist, es sei denn, die Komponenten bestehen aus Materialien, die stoffbedingt korrosionsresistent sind oder sie werden auf geeignete Weise vor Korrosion geschützt.

9) Prüfung elektrischer Geräte

Zu Reparatur- und Wartungsarbeiten an Elektroteilen gehören auch Sicherheits-Erstprüfungen sowie Arbeitsschritte zur Komponentenprüfung. Liegt ein Defekt vor, der die Sicherheit gefährden könnte, darf solange keine elektrische Versorgung an den Verbraucher angeschlossen werden, bis der Defekt zufriedenstellend behoben wurde. Sollte sich der Defekt nicht unmittelbar beheben lassen, jedoch der Betrieb fortgesetzt werden muss, muss auf eine angemessene Behelfslösung verwendet werden. Diese sollte dem Eigentümer der Anlage mitgeteilt werden, sodass alle Beteiligten informiert sind. Zu den Sicherheits-Erstprüfungen gehören folgende:

- Kondensatoren müssen entladen werden. Dies muss auf sichere Art und Weise geschehen, um eine Funkenbildung zu vermeiden;
- Beim Befüllen, Nachfüllen oder Spülen der Anlage dürfen keine stromführenden Komponenten und Leitungen frei liegen;
- Es muss eine durchgängige Verbindung zur Schutz Erde vorhanden sein.

2. Reparaturen an versiegelten Komponenten

- 1) Bei Reparaturen an versiegelten Komponenten müssen alle elektrischen Versorgungseinrichtungen von der Anlage getrennt werden, an der Arbeiten ausgeführt werden, bevor versiegelte Schutzvorrichtungen o. ä. entfernt werden. Falls eine elektrische Versorgung der Anlage während der Wartungsarbeiten unvermeidlich ist, muss eine permanent arbeitende Leckerkennung an den kritischsten Stellen vorgesehen werden, um vor eventuellen Gefahrensituationen zu warnen.
- 2) Besondere Aufmerksamkeit sollte den nachfolgenden Punkten geschenkt werden, um sicher zu stellen, dass durch Arbeiten an den elektrischen Komponenten nicht die Umhausung soweit verändert wird, dass der Schutzgrad dadurch eingeschränkt wird. Dazu gehören unter anderem Kabelschäden, eine überhöhte Anzahl an Anschlüssen, Anschlüsse, die nicht nach Herstellerspezifikationen hergestellt werden, Schäden an Versiegelungen, eine falsche Montage von Kabeldurchführungen etc.

Sicher stellen, dass das Gerät fest aufgestellt ist. Sicher stellen, dass weder Versiegelungen noch Dichtstoffe so sehr gealtert sind, dass sie ein Eindringen zündfähiger Atmosphären nicht mehr verhindern und somit ihren Zweck nicht mehr erfüllen können. Ersatzteile müssen den Spezifikationen des Herstellers entsprechen.

HINWEIS: Die Verwendung von Silikondichtmitteln kann die Wirksamkeit mancher Leckdetektorgeräte beeinträchtigen. Eigensichere Komponenten müssen nicht elektrisch getrennt werden, bevor an ihnen gearbeitet wird.

3. Reparaturen an eigensicheren Komponenten

Keine permanenten induktiven oder kapazitiven Verbraucher an die Schaltung anlegen, wenn nicht dafür gesorgt ist, dass Spannung und Strom die zulässigen Grenzen für den Betrieb der Anlage überschreiten. Eigensichere Komponenten sind die einzigen Teile, an denen bei anliegendem Strom und zündfähiger Atmosphäre gearbeitet werden kann. Das Prüfinstrument muss die korrekten Bemessungswerte vorweisen. Komponenten nur durch Teile ersetzen, die vom Hersteller angegeben sind. Fremtteile können in der Atmosphäre einer Leckage zu einer Zündung des Kältemittels führen.

4. Kabelverbindungen

Kabelverbindungen auf Verschleiß, Korrosion, zu hohem Druck, Vibrationen, scharfe Kanten oder andere schädliche Umgebungsauswirkungen überprüfen. Bei der Prüfung sollten auch die Folgen von Alterung oder dauernden Vibrationen aufgrund von Kompressoren oder Lüftern berücksichtigt werden.

5. Erkennung zündfähiger Kältemittel

Unter keinen Umständen dürfen potenzielle Zündquellen dafür benutzt werden, um Kältemittel-Leckagen zu lokalisieren oder zu detektieren. Ein Halogen-Lecksucher (oder jeder andere Detektor, der eine offene Flamme einsetzt) darf nicht benutzt werden.

6. Verfahren der Leckerkennung

Folgende Leckdetektor-Verfahren gelten als zulässig für Anlagen, die zündfähige Kältemittel enthalten.

Elektronische Leckdetektoren müssen für die Erkennung zündfähiger Kältemittel eingesetzt werden, jedoch ist die Empfindlichkeit unter Umständen nicht ausreichend oder sie müssen neu kalibriert werden. (Detektorgeräte müssen in einem Kältemittel freien Bereich kalibriert werden.) Sicher stellen, dass der Detektor keine potenzielle Zündquelle für das verwendete Kältemittel darstellt. Das Leckdetektorgerät muss auf einen Prozentsatz des LFL des Kältemittels eingestellt werden und es muss für das eingesetzte Kältemittel kalibriert werden. Die entsprechende Menge Gas (maximal 25 %) ist zu bestätigen. Flüssige Leckdetektoren eignen sich für die meisten Kältemittel, jedoch müssen chlorhaltige Detektoren vermieden werden, da das Chlor mit dem Kältemittel reagieren und Kupferrohrleitungen angreifen kann. Falls ein Leckverdacht besteht, sollten alle offenen Flammen entfernt bzw. gelöscht werden. Wenn ein Kältemittelleck gefunden wird und Hartlötarbeiten erforderlich sind, muss das gesamte Kältemittel aus der Anlage aufgefangen oder (durch Absperrschieber) in einen Teil der Anlage abgeschieden werden, der von der Leckstelle weit entfernt ist. Sauerstofffreier Stickstoff (OFN) muss anschließend zum Spülen der Anlage vor sowie während der Hartlötarbeiten eingesetzt werden.

7. Entfernen und Evakuierung

Wenn der Kältemittelkreis für Reparaturarbeiten oder für andere Zwecke unterbrochen wird, müssen herkömmliche Methoden verwendet werden. Es sollte dabei jedoch immer eine in der Praxis bewährte Vorgehensweise benutzt werden, da die Zündfähigkeit ein kritischer Punkt ist. Nach folgender Vorgehensweise richten:

- Kältemittel entfernen;
- Den Kreislauf mit einem Edelgas spülen;
- Evakuieren;
- Nochmals mit Edelgas spülen;
- Den Kreislauf durch Trennschneiden oder Hartlöten öffnen.

Das vorhandene Kältemittel in geeigneten Behältern auffangen. Um die Anlage sicher zu machen, mit sauerstofffreiem Stickstoff „spülen“. Der Vorgang muss eventuell mehrmals wiederholt werden. Für diese Aufgabe darf weder Druckluft noch Sauerstoff verwendet werden. Zum Spülen wird der Unterdruck in der Anlage mit sauerstofffreiem Stickstoff aufgehoben und weiter gefüllt, bis der Betriebsdruck erreicht ist. Danach wird der Stoff in die Atmosphäre entlüftet und der Unterdruck wieder hergestellt. Dieser Vorgang wird wiederholt, bis sich kein Kältemittel mehr in der Anlage befindet. Nach dem letzten Stickstoff-Spülgang wird die Anlage bis auf Atmosphärendruck entlüftet, damit die Arbeiten ausgeführt werden können. Dieser Vorgang ist ein absolutes Muss, wenn Hartlötarbeiten an den Rohrleitungen auszuführen sind. Dafür sorgen, dass der Auslauf der Unterdruckpumpe nicht in der Nähe von Zündquellen liegt und dass eine Belüftung verfügbar ist.

8. Vorgehensweise beim Befüllen

Abgesehen von den herkömmlichen Befüllungsarbeiten müssen die folgenden Anweisungen befolgt werden.

- Bei Einsatz der Einfüllgeräte dafür sorgen, dass keine Verunreinigung durch verschiedene Kältemittel stattfindet. Schläuche oder Leitungen müssen so kurz wie möglich sein, um die Menge des darin enthaltenen Kältemittels zu minimieren.
- Behälter müssen aufrecht gestellt werden.
- Dafür sorgen, dass die Kälteanlage geerdet wird, bevor das Kältemittel eingefüllt wird.

- Nach Abschluss der Befüllung muss die Anlage gekennzeichnet werden (sofern nicht schon geschehen).
- Es muss besonders darauf geachtet werden, dass die Kälteanlage nicht überfüllt wird.

Vor dem Auffüllen der Anlage sollte diese mittels sauerstofffreiem Stickstoff druckgeprüft werden. Nach Abschluss der Befüllung und vor der Inbetriebnahme muss die Anlage auf Dichtheit geprüft werden. Vor dem Verlassen des Ortes muss ein anschließender Lecktest durchgeführt werden.

9. Außerbetriebnahme

Vor diesen Arbeiten ist es unerlässlich, dass sich der Techniker mit der Anlage und allen zugehörigen Details auskennt. Es gilt als gute Vorgehensweise, sämtliches Kältemittel sicher aufzufangen. Vor Ausführung der Arbeiten muss eine Öl- und Kältemittelprobe genommen werden, falls vor der Wiederverwertung des Kältemittels eine Analyse durchgeführt werden muss. Bevor die Arbeit aufgenommen wird, muss unbedingt elektrischer Strom vorhanden sein.

- a) Die Anlage und ihre Funktionsweise müssen bekannt sein.
- b) Anlage elektrisch trennen.
- c) Vor den Arbeiten folgende Punkte sicher stellen:
 - Mechanische Transportanlage steht zur Verfügung, sofern diese für den Umgang mit den Kältemittelbehältern notwendig werden;
 - Die gesamte persönliche Schutzausrüstung steht zur Verfügung und wird korrekt eingesetzt;
 - Die Rückgewinnung wird von einer fachkundigen Person stets überwacht;
 - Die Anlagen und Behälter für die Rückgewinnung entsprechen den jeweiligen Standards.
- d) Falls möglich, die Kältemittelanlage entlüften.
- e) Sollte der Unterdruck nicht möglich sein, einen Verteiler vorsehen, damit das Kältemittel an verschiedenen Stellen der Anlage entnommen werden kann.
- f) Daran denken, den Behälter auf eine Waage zu stellen, bevor die Rückgewinnung stattfindet.
- g) Die Rückgewinnungsanlage starten und nach Anweisungen des Herstellers einsetzen.
- h) Die Behälter nicht überfüllen. (Nicht mehr als 80 % des flüssigen Füllvolumens).
- i) Den maximalen Betriebsdruck des Behälters nicht überschreiten, auch nicht vorübergehend.
- j) Wenn die Behälter korrekt befüllt wurden und der Vorgang abgeschlossen ist, müssen die Behälter und die Anlage möglichst bald vom Standort entfernt werden. Alle Absperrventile an der Anlage müssen verriegelt sein.
- k) Das aufgefangene Kältemittel darf nicht in eine andere Kälteanlage gefüllt werden, es sei denn, diese wurde gereinigt und überprüft.

10. Kennzeichnung

An der Anlage muss eine Kennzeichnung angebracht werden, die auf die Außerbetriebnahme und Entleerung des Kältemittels hinweist. Die Kennzeichnung muss datiert und unterzeichnet werden. Darauf achten, dass Schilder an der Anlage auf das enthaltene zündfähige Kältemittel aufmerksam machen.

11. Wiederverwertung

Beim Entfernen von Kältemittel aus einer Anlage zwecks Wartung oder Außerbetriebnahme wird es als gute praktische Vorgehensweise empfohlen, sämtliches Kältemittel sicher zu entfernen. Beim Umfüllen von Kältemittel in Behälter ist sicher zu stellen, dass nur für die Wiederverwertung geeignete Behälter eingesetzt werden. Dafür sorgen, dass genügend Behälter zur Aufnahme der gesamten Anlagenbefüllung zur Verfügung stehen. Alle zu benutzenden Behälter sind für das wiederverwendete Kältemittel gekennzeichnet und beschriftet (z. B. Spezialbehälter für Kältemittelverwertung). Die Behälter müssen mit Überdruckventilen und geeigneten Absperrventilen in gutem Betriebszustand ausgestattet sein. Leere Wiederverwertungsbehälter werden entfernt und, sofern möglich, gekühlt, bevor die Wiederverwertung stattfindet. Die Wiederverwertungsanlage muss sich in einem guten Betriebszustand befinden. Die vollständigen Unterlagen zu der Anlage müssen griffbereit sein und die Anlage muss für die Wiederverwertung zündfähig

Kältemittel geeignet sein. Außerdem müssen mehrere Waagen zur Verfügung stehen und in gutem Zustand sein. Schläuche müssen vollständig mit dichten Kupplungsstücken zur Verfügung stehen und in gutem Zustand sein. Vor der Benutzung der Wiederverwertungsvorrichtung kontrollieren, ob sich diese in gutem Betriebszustand befindet, ordnungsgemäß instandgehalten wurde und ob alle zugehörigen elektrischen Komponenten versiegelt sind, um einen Zündvorgang zu verhindern, falls Kältemittel austritt. Im Zweifelsfall den Hersteller kontaktieren. Das abgefüllte Kältemittel muss im richtigen Auffangbehälter an den Kältemittel-Lieferanten zurückgeliefert werden. Dazu muss ein entsprechendes Altlasten-Transportavis ausgestellt sein. Kältemittel in Auffangbehältern und besonders in Fässern nicht vertauschen. Falls Kompressoren oder Kompressoröle entfernt werden müssen, ist dafür zu sorgen, dass diese bis zu einem geeigneten Maß aus der Anlage entfernt wurden, um sicher zu stellen, dass kein zündfähiges Kältemittel beim Schmierstoff verbleibt. Die Beseitigung muss ausgeführt werden, bevor der Kompressor an den Lieferanten zurückgesendet wird. Nur eine Elektroheizung am Kompressorgehäuse darf eingesetzt werden, um diesen Vorgang zu beschleunigen. Wenn Öl aus der Anlage abgelassen wird, muss dies sicher durchgeführt werden.

Fachkenntnisse des Wartungspersonals

Allgemeines

Eine besondere Schulung ist neben der üblichen Einweisung in die herkömmlichen Reparaturschritte für Kälteanlagen erforderlich, wenn es sich um Anlagen mit zündfähigen Kältemitteln handelt.

In vielen Ländern wird diese Schulung von nationalen Fortbildungsinstituten durchgeführt, die für die Unterweisung nach den einschlägigen nationalen und vom Gesetzgeber vorgeschriebenen Fachstandards akkreditiert sind.

Die erlangte Fachkompetenz muss durch ein Zertifikat nachgewiesen sein.

Schulung

Zum Schulungsumfang sollten folgende Themen gehören:

Informationen über das Explosionspotenzial zündfähiger Kältemittel, um deutlich zu machen, dass zündfähige Stoffe bei unachtsamer Handhabung gefährlich werden können.

Informationen über potenzielle Zündquellen, insbesondere solche, die nicht offensichtlich sind wie etwa Anzünder, Lichtschalter, Staubsauger, Elektroheizungen.

Informationen über die verschiedenen Sicherheitskonzepte:

Unbelüftet – Die Sicherheit einer Anlage hängt nicht von der Belüftung des Gehäuses ab. Das Abschalten des Geräts oder das Öffnen des Gehäuses beeinträchtigt die Sicherheit nicht erheblich. Es ist dennoch möglich, dass sich ausgetretenes Kältemittel im Gehäuse abgesetzt hat und dass beim Öffnen des Gehäuses eine zündfähige Atmosphäre freigesetzt wird.

Belüftetes Gehäuse – Die Sicherheit der Anlage hängt von der Belüftung des Gehäuses ab. Das Abschalten des Geräts oder das Öffnen des Gehäuses beeinträchtigt die Sicherheit erheblich. Auf eine ausreichende Belüftung sollte zuvor besonders geachtet werden.

Belüfteter Raum – Die Sicherheit der Anlage hängt von der Raumbelüftung ab. Das Abschalten des Geräts oder das Öffnen des Gehäuses beeinträchtigt die Sicherheit nicht erheblich. Die Belüftung des Raums darf während der Reparaturarbeiten nicht abgeschaltet werden.

Informationen über das Konzept versiegelter Komponenten und Gehäuse gemäß IEC 60079-15:2010.

Informationen über die richtigen Arbeitsmethoden:

a) Inbetriebnahme

- Sicher stellen, dass der Werkstattbereich für die Kältemittelfüllung ausreicht oder dass die Belüftungsleitung korrekt montiert wurde.
- Die Leitungen anschließen und einen Lecktest durchführen, bevor das Kältemittel eingefüllt wird.
- Vor der Inbetriebnahme die Sicherheitsausrüstung prüfen.

b) Wartung

- Tragbare Geräte müssen im Freien oder in einer Werkstatt repariert werden, die für die Reparatur von Anlagen mit zündfähigen Kältemitteln besonders ausgestattet ist.
- Am Ort der Reparatur auf eine ausreichende Belüftung achten.

- Daran denken, dass eine Störung der Anlage durch Kältemittelverlust verursacht sein kann und dass ein Kältemittelleck möglich ist.
 - Kondensatoren so entladen, dass sie keine Funken erzeugen. Bei der Standardmethode für das Entladen an den Kondensatoranschlüssen entstehen in der Regel Funken.
 - Versiegelte Gehäuse müssen präzise wieder zusammengebaut werden. Verschlossene Dichtungen austauschen.
 - Vor der Inbetriebnahme die Sicherheitsausrüstung prüfen.
- c) Reparatur
- Tragbare Geräte müssen im Freien oder in einer Werkstatt repariert werden, die für die Reparatur von Anlagen mit zündfähigen Kältemitteln besonders ausgestattet ist.
 - Am Ort der Reparatur auf eine ausreichende Belüftung achten.
 - Daran denken, dass eine Störung der Anlage durch Kältemittelverlust verursacht sein kann und dass ein Kältemittelleck möglich ist.
 - Kondensatoren so entladen, dass sie keine Funken erzeugen.
 - Falls Hartlöten notwendig ist, müssen die folgenden Arbeitsschritte in der richtigen Reihenfolge ausgeführt werden:
 - Kältemittel entfernen. Falls eine Wiederverwertung nicht gesetzlich vorgeschrieben ist, das Kältemittel ins Freie ablassen. Dafür sorgen, dass das abgelassene Kältemittel keine Gefahren verursacht. Im Zweifelsfall sollte eine Person den Auslauf überwachen. Besonders darauf achten, dass abgelassenes Kältemittel nicht wieder in das Gebäude zurückströmt.
 - Den Kältemittelkreislauf entleeren.
 - Den Kältemittelkreislauf 5 Minuten lang mit Stickstoff spülen.
 - Danach erneut entleeren.
 - Auszutauschende Teile herausschneiden, ohne Flamme.
 - Die Hartlötstelle während des Lötvorgangs mit Stickstoff spülen.
 - Vor dem Einfüllen des Kältemittels einen Lecktest durchführen.
 - Versiegelte Gehäuse müssen präzise wieder zusammengebaut werden. Verschlossene Dichtungen austauschen.
 - Vor der Inbetriebnahme die Sicherheitsausrüstung prüfen.
- d) Außerbetriebnahme
- Wenn die Sicherheit bei der Außerbetriebnahme der Anlage beeinträchtigt ist, muss die Kältemittelbefüllung vor der Außerbetriebnahme entfernt werden.
 - Für ausreichende Belüftung am Anlagenstandort sorgen.
 - Daran denken, dass eine Störung der Anlage durch Kältemittelverlust verursacht sein kann und dass ein Kältemittelleck möglich ist.
 - Kondensatoren so entladen, dass sie keine Funken erzeugen.
 - Kältemittel entfernen. Falls eine Wiederverwertung nicht gesetzlich vorgeschrieben ist, das Kältemittel ins Freie ablassen. Dafür sorgen, dass das abgelassene Kältemittel keine Gefahren verursacht. Im Zweifelsfall sollte eine Person den Auslauf überwachen. Besonders darauf achten, dass abgelassenes Kältemittel nicht wieder in das Gebäude zurückströmt.
 - Den Kältemittelkreislauf entleeren.
 - Den Kältemittelkreislauf 5 Minuten lang mit Stickstoff spülen.
 - Danach erneut entleeren.
 - Bis zum Atmosphärendruck mit Stickstoff befüllen.
 - An der Anlage ein Schild anbringen, das auf das entfernte Kältemittel hinweist.
- e) Entsorgung
- Am Arbeitsort auf eine ausreichende Belüftung achten.
 - Kältemittel entfernen. Falls eine Wiederverwertung nicht gesetzlich vorgeschrieben ist, das Kältemittel ins Freie ablassen. Dafür sorgen, dass das abgelassene Kältemittel keine Gefahren verursacht. Im Zweifelsfall sollte eine Person den Auslauf überwachen. Besonders darauf achten, dass abgelassenes Kältemittel nicht wieder in das Gebäude zurückströmt.

- Den Kältemittelkreislauf entleeren.
- Den Kältemittelkreislauf 5 Minuten lang mit Stickstoff spülen.
- Danach erneut entleeren.
- Den Kompressor herausschneiden und das Öl ablassen.

Transport, Kennzeichnung und Aufbewahrung von Anlagen, die zündfähige Kältemittel verwenden

Transport von Anlagen, die zündfähiges Kältemittel enthalten

Es wird darauf aufmerksam gemacht, dass zusätzliche Transportvorschriften für Anlagen mit zündfähigen Gasen vorhanden sein können. Die Höchstanzahl an Anlagenteilen oder die Konfiguration der Anlage, die zusammen transportiert werden dürfen, wird von den jeweils geltenden Transportvorschriften bestimmt.

Kennzeichnung der Anlage mittels Schildern

Schilder für ähnliche Anlagen, die generell in einem Arbeitsbereich eingesetzt werden, werden von örtlichen Vorschriften geregelt und legen die Mindestanforderungen an die Sicherheit und/oder an das Vorsehen von Warnschildern an einem Arbeitsort fest.

Alle vorgeschriebenen Schilder müssen instandgehalten werden. Arbeitgeber müssen dafür sorgen, dass die Mitarbeiter geeignete und ausreichende Anweisungen und Unterweisungen über die Bedeutung der jeweiligen Sicherheitsschilder und über die Maßnahmen erhalten, die in Verbindung mit diesen Schildern zu ergreifen sind.

Die Wirkung der Schilder darf nicht durch ein Übermaß an Beschilderungen beeinträchtigt werden, die gemeinsam verwendet werden.

Alle verwendeten Piktogramme sollten so einfach wie möglich gehalten werden nur die wichtigsten Angaben enthalten.

Entsorgung von Anlagen mit zündfähigen Kältemitteln

Dazu wird auf die nationalen Vorschriften verwiesen.

Aufbewahrung von Anlagen/Geräten

Die Anlagen sollten den Herstelleranweisungen entsprechend aufbewahrt werden.

Aufbewahrung verpackter (nicht verkaufter) Anlagen

Der Schutz für verpackte Ware beim Einlagern sollte so konstruiert sein, dass mechanische Schäden an der Anlage in der Verpackung nicht zu einem Austreten von Kältemittel führen.

Die Höchstanzahl der Anlagen, die zusammen eingelagert werden dürfen, ist in den örtlichen Vorschriften vorgeschrieben.

CONSIGNES DE SÉCURITÉ

Avant d'utiliser l'appareil, lisez toutes les consignes suivantes pour éviter des blessures et des dommages, et pour optimiser les performances de votre appareil. Conservez cette notice d'utilisation dans un endroit sûr. Si vous donnez ou transférez cet appareil à un tiers, veillez à lui remettre également cette notice d'utilisation.

En cas de détérioration due au non-respect par l'utilisateur des instructions de cette notice d'utilisation, la garantie est annulée. Le fabricant/importateur rejette toute responsabilité en cas de dommages dus au non-respect des instructions de la notice d'utilisation, à un usage négligent ou à l'usage non conforme aux exigences de cette notice d'utilisation.

1. Lisez et conservez ces instructions. Attention: les images incluses dans le manuel d'instructions servent de référence seulement.
2. Cet appareil peut être utilisé par des enfants âgés d'au moins 8 ans et par des personnes ayant des capacités physiques, sensorielles ou mentales réduites ou dénuées d'expérience ou de connaissance, s'ils (si elles) sont correctement surveillé(e)s ou si des instructions relatives à l'utilisation de l'appareil en toute sécurité leur ont été données et si les risques encourus ont été appréhendés.
3. Les enfants ne doivent pas jouer avec l'appareil.
4. Le nettoyage et la maintenance ne doivent pas être effectués par des enfants sans surveillance.
5. Si le câble d'alimentation est endommagé, il doit être remplacé par le fabricant, son service après vente ou des personnes de qualification similaire afin d'éviter un danger.
6. Utiliser l'appareil uniquement en intérieur.
7. N'utilisez pas l'appareil dans une zone près d'une source inflammable ; où de l'huile est susceptible d'être éclaboussée ; où il serait exposé à la lumière directe du soleil ; où il risque d'être éclaboussé par de l'eau ; à proximité d'une baignoire, d'une laverie, d'une douche ou d'une piscine.

8. N'insérez jamais vos doigts ou des bâtons dans la sortie d'air. Prévenez particulièrement les enfants de ces dangers.
9. Gardez l'unité en position verticale pendant le transport et le stockage, car le compresseur doit rester droit.
10. Avant de nettoyer ou de déplacer l'appareil, éteignez et débranchez toujours le câble d'alimentation.
11. Pour éviter tout risque d'incendie, ne couvrez pas l'appareil.
12. Toutes les prises du climatiseur doivent être conformes aux exigences de sécurité électriques locales. Si nécessaire, veuillez vérifier la conformité de ces exigences.
13. L'appareil doit être installé conformément aux réglementations de câblage nationales.
14. Description du type et du calibre des fusibles : T, 250V CA, 2A ou 3,15 A.
15. Contactez un technicien autorisé pour la réparation ou l'entretien de cet appareil.
16. Ne tirez pas, ne déformez pas, ne modifiez pas le câble d'alimentation et ne l'immergez pas dans l'eau. Tirer ou mal utiliser le câble d'alimentation peut endommager l'appareil et provoquer un choc électrique.
17. La conformité aux réglementations nationales en matière de gaz doit être observée.
18. L'entretien ne doit être effectué que selon les recommandations du fabricant de l'appareil. L'entretien et les réparations nécessitant l'assistance d'un autre personnel qualifié doivent être effectués sous la supervision de la personne compétente pour l'utilisation de réfrigérants inflammables.
19. N'éteignez pas l'appareil en tirant sur le câble d'alimentation car cela pourrait provoquer un choc électrique ou un incendie en raison de la chaleur générée.
20. Débranchez l'appareil si des sons étranges, une odeur ou de la fumée s'en échappent.
21. Branchez toujours l'appareil dans une prise de courant reliée à la terre.
22. En cas de dommage, veuillez éteindre l'interrupteur, débranchez le câble d'alimentation électrique et contactez un centre agréé pour faire réparer l'appareil.

23. N'utilisez pas de moyens pour accélérer le processus de dégivrage ou pour nettoyer l'appareil, autres que ceux recommandés par le fabricant.
24. L'appareil doit être rangé dans une pièce où il n'y a pas de sources d'inflammation à risque (comme par exemple, une flamme nue, un appareil à gaz en fonctionnement ou un appareil de chauffage électrique en marche).
25. Ne percez pas et ne brûlez pas l'appareil.
26. Sachez que les réfrigérants peuvent ne pas émettre d'odeur.
27. Cet appareil contient du gaz réfrigérant R290. R290 est un gaz réfrigérant conforme aux directives européennes sur l'environnement. . Ne percez aucune partie du circuit du réfrigérant.
28. Si l'appareil est installé, utilisé ou stocké dans une zone non ventilée, la pièce doit être conçue de manière à prévenir l'accumulation de fuites de réfrigérant pouvant entraîner un risque d'incendie ou d'explosion dû à l'inflammation du réfrigérant provoquée par des radiateurs électriques, des cuisinières ou d'autres sources d'inflammation.
29. L'appareil doit être rangé de manière à éviter les pannes mécaniques.
30. Les personnes qui travaillent ou interviennent sur le circuit frigorifique doivent avoir la certification appropriée délivrée par un organisme accrédité garantissant la compétence en matière de manipulation des frigorigènes conformément à une évaluation spécifique reconnue par les associations du secteur.
31. Les réparations doivent être effectuées conformément aux recommandations de l'entreprise de fabrication. L'entretien et les réparations qui nécessitent l'assistance d'un autre personnel qualifié doivent être effectués sous la supervision d'une personne experte dans l'utilisation de réfrigérants inflammables.
32. Laissez toujours l'appareil reposer pendant au moins 2 heures après l'avoir déplacé d'un endroit à un autre.
33. Concernant les instructions de réparation des appareils contenant du R290, veuillez vous reporter aux paragraphes ci-dessous.



Avertissement : Risque d'incendie / Matériaux inflammables.



Lisez le manuel d'instructions.



Manuel de l'opérateur ; mode d'emploi.



Indications sur les réparations ; lisez le manuel technique.

Avertissement : Maintenez les orifices de ventilation dégagés de tout obstacle.

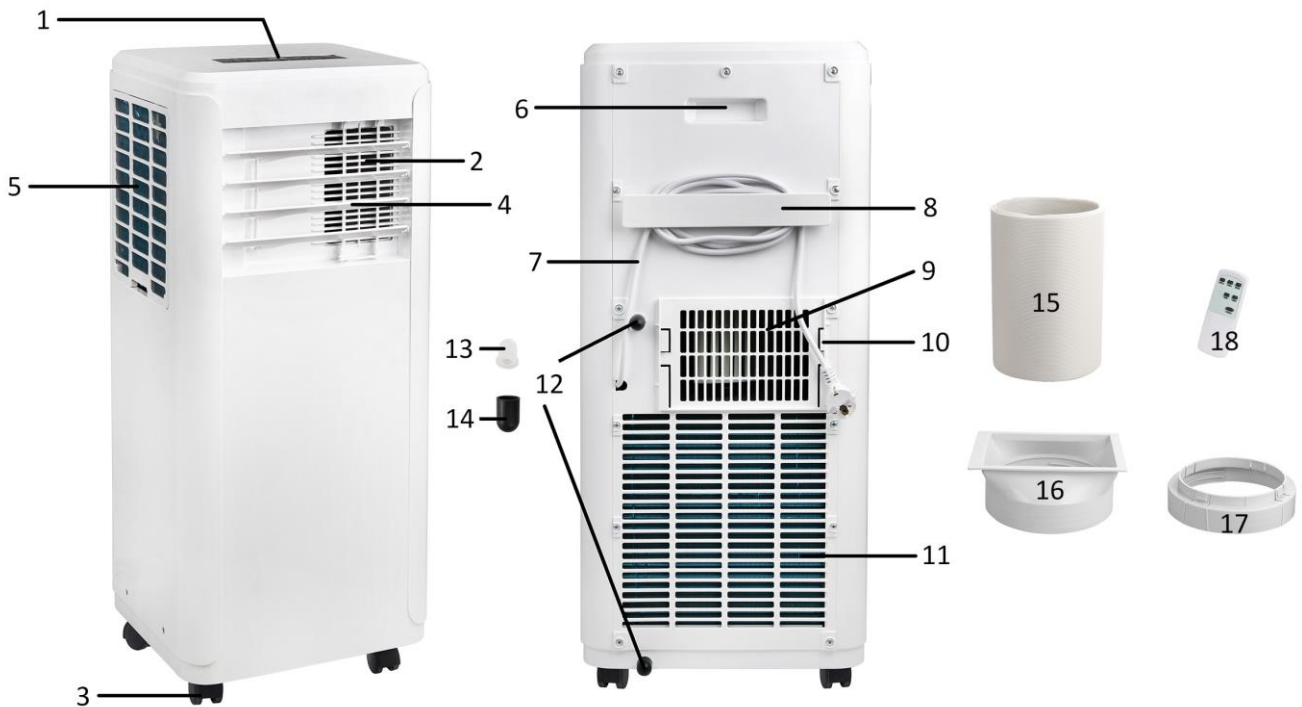
Avertissement : L'appareil doit être rangé dans une zone bien ventilée où la taille de la pièce correspond à celle spécifiée pour le fonctionnement.

Toute procédure de travail qui affecte les moyens de sécurité ne doit être effectuée que par des personnes compétentes. La distance requise autour de l'appareil doit être d'au moins 30 cm.

L'appareil doit être installé, utilisé et rangé dans une pièce dont la surface au sol est supérieure à X m².

MODÈLE	X (m ²)	Modèle
5000Btu/h,7000Btu/h, 8000Btu/h	4	-
9000Btu/h,10000Btu/h, 10500Btu/h	12	-
12000Btu/h,14000Btu/h, 16000Btu/h,18000Btu/h	15	PAC-127068.1

DESCRIPTION DES PIÈCES

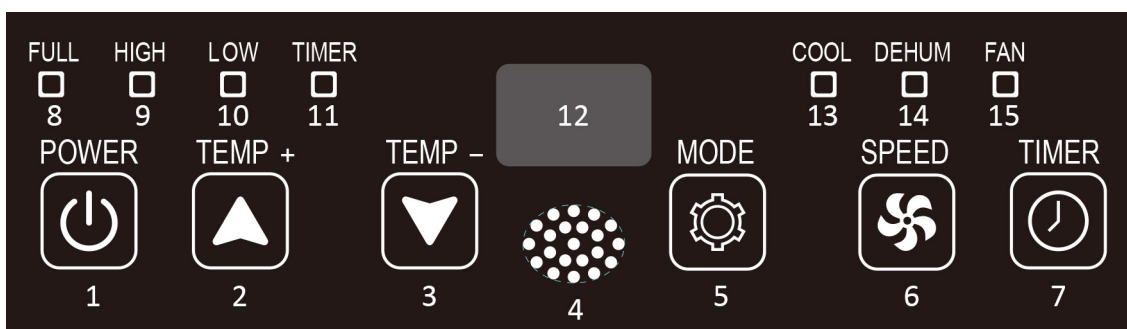


- | | |
|--|---|
| 1. Panneau de contrôle | 10. Fixation pour raccord de tuyau (extrémité du climatiseur) |
| 2. Sortie d'air | 11. Entrée d'air |
| 3. Molette | 12. Port de vidange |
| 4. Outils pour contrôler la direction du vent de haut en bas | 13. Bouchon en caoutchouc pour le port de vidange |
| 5. Filtre à air | 14. Pied en caoutchouc |
| 6. Poignée | 15. Tuyau d'évacuation d'air chaud |
| 7. Câble d'alimentation | 16. Raccord de tuyau (extrémité du climatiseur) |
| 8. Rangement du câble d'alimentation | 17. Raccord de tuyau (extrémité de la fenêtre) |
| 9. Sortie d'air chaud | 18. Télécommande |

Télécommande

Cet appareil est pourvu d'une télécommande. 2 piles AAA de 1,5 V doivent être installées. Les fonctions des boutons de la télécommande sont identiques à ceux des boutons tactiles du panneau de contrôle.

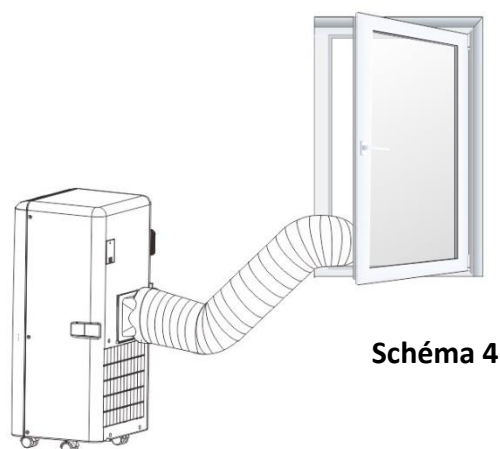
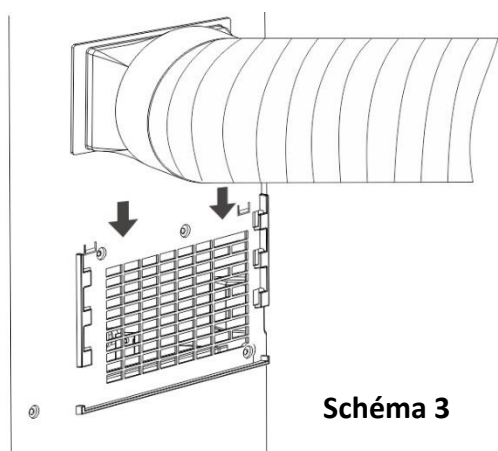
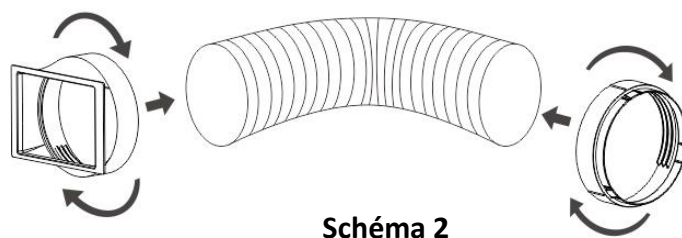
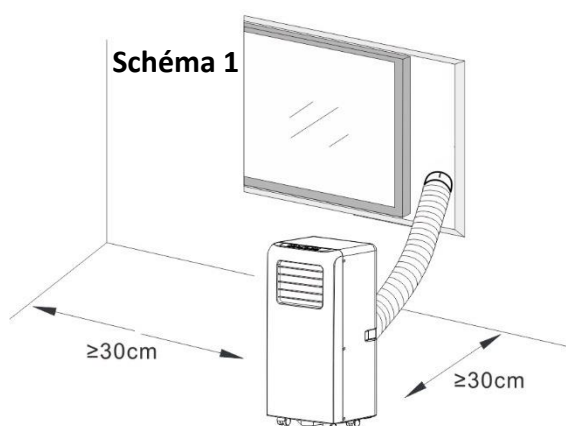
Panneau de contrôle



1. Bouton d'alimentation
2. Bouton d'augmentation de la température (minuteur)
3. Bouton de diminution de la température (minuteur)
4. Fenêtre du récepteur des signaux de la télécommande
5. Bouton de mode
6. Bouton de vitesse du vent
7. Bouton marche/arrêt du minuteur
8. Indicateur lumineux du bac plein d'eau
9. Indicateur lumineux de forte vitesse
10. Indicateur lumineux de faible vitesse
11. Indicateur lumineux du minuteur
12. Écran numérique
13. Indicateur lumineux du mode climatiseur
14. Indicateur lumineux du mode déshumidificateur
15. Indicateur lumineux du mode de ventilation

INSTALLATION (Les images ci-dessous sont à titre indicatif pour l'installation de l'appareil. L'appareil présenté sur l'illustration peut être différent du produit que vous avez acheté.)

- L'unité doit être installée sur une surface plate où la sortie d'air ne serait pas bloqué. La distance requise autour de l'unité doit être d'au moins 30 cm. **(Schéma 1)**
- L'unité ne doit pas être installée dans une laverie.
- Tournez les deux raccords de tuyau sur le tuyau d'évacuation d'air chaud. **(Schéma 2)**
- Insérez le raccord de tuyau (extrémité du climatiseur) dans les fixations à l'arrière de l'appareil. **(Schéma 3)**
- Placez l'autre extrémité du tuyau d'évacuation sur le rebord de fenêtre le plus proche. **(Schéma 4)**



FONCTIONNEMENT

Laissez toujours l'appareil reposer pendant au moins 2 heures après l'avoir déplacé d'un endroit à un autre. Avant l'utilisation, vérifiez si le tuyau d'évacuation a été correctement monté. Branchez l'appareil.

1. Bouton d'alimentation

Appuyez sur le bouton « POWER » pour mettre l'appareil en marche. L'appareil commencera à fonctionner en mode de refroidissement par vent faible. Appuyez à nouveau sur le bouton, l'appareil s'éteindra.

2. Bouton d'augmentation de la température (minuteur) et bouton de diminution de la température (minuteur)

Appuyez sur les boutons « TEMP + » / « TEMP- » pour régler la température ambiante souhaitée de 16 ° C à 31 ° C. Les boutons peuvent également être utilisés pour régler le minuteur entre 1 et 24 heures durant le réglage. La valeur sera augmentée / diminuée de 1 (° C / heure) à chaque pression. Appuyez longuement pour un réglage rapide.

Veuillez noter : L'appareil éteindra automatiquement le compresseur (pour le climatiseur) une fois que la température de la pièce aura atteint la température définie. Le compresseur sera activé automatiquement lorsque la température de la pièce augmentera au-delà de la température de consigne. Le ventilateur à l'intérieur fonctionne toujours tout au long de ce processus. Lorsque le compresseur fonctionne, l'unité vibre légèrement. Ceci est normal et sans danger.

3. Bouton de vitesse du vent

Appuyez sur le bouton « SPEED » pour changer la vitesse du vent entre faible et forte. L'indicateur correspondant « LOW » / « HIGH » (FAIBLE / FORTE) s'allumera.

4. Bouton de mode

Appuyez sur le bouton « MODE » pour choisir votre mode de fonctionnement souhaité : climatisation, déshumidification et ventilation.

- En mode de climatisation, l'indicateur correspondant « COOL » s'allumera. Appuyez sur les boutons « TEMP + » / « TEMP- » pour régler la température ambiante souhaitée. Appuyez sur le bouton « SPEED » pour régler la vitesse de ventilation désirée.
- En mode de déshumidification, l'indicateur correspondant « DEHUM » s'allumera. L'appareil règle automatiquement la température de fonctionnement (2 ° C en dessous de la température ambiante) et règle la vitesse du vent à faible vitesse. La température et la vitesse du vent ne peuvent pas être ajustées manuellement.
- En mode de ventilation, l'indicateur correspondant « FAN » s'allumera. Appuyez sur le bouton « SPEED » pour changer la vitesse du vent entre faible et forte. Veuillez noter : Dans ce mode, la fonction de température n'est pas disponible. L'affichage numérique indique une valeur qui n'a aucune signification.

5. Bouton marche/arrêt du minuteur

Réglage du minuteur de mise en marche :

- Lorsque l'appareil est éteint, appuyez sur le bouton « TIMER » et l'indicateur correspondant du minuteur s'allumera.
- Appuyez sur les boutons « TEMP + » / « TEMP- » pour sélectionner le nombre d'heures de 1 à 24 avant que l'appareil se mette en marche. Le « pré-réglage des heures avant la mise en marche » clignote sur l'affichage numérique. Appuyez à nouveau sur le bouton « TIMER » (lorsqu'il clignote encore) et le réglage sera en vigueur.
- L'appareil démarre automatiquement une fois que le « temps pré-réglé de mise en marche » est écoulé.

Réglage du minuteur d'arrêt :

- Lorsque l'appareil est en marche appuyez sur le bouton « TIMER » et l'indicateur correspondant du minuteur s'allumera.
- Appuyez sur les boutons « TEMP + » / « TEMP- » pour sélectionner le nombre d'heures de 1 à 24 avant que l'appareil s'arrête. Le « pré-réglage des heures avant l'arrêt » clignote sur l'affichage numérique. Appuyez à nouveau sur le bouton « TIMER » (lorsqu'il clignote encore) et le réglage sera en vigueur.
- L'appareil démarre automatiquement une fois que le « temps pré-réglé avant l'arrêt » est écoulé.

Remarque : L'affichage numérique indiquera le compte à rebours heure par heure après le réglage du minuteur. Appuyez à nouveau sur le bouton « TIMER » et la fonction du minuteur sera annulée.

REMARQUE : L'appareil continuera à fonctionner avec le mode de réglage précédent une fois réactivé sans être débranché. Si l'appareil a été débranché avant, il commencera à fonctionner en mode de climatisation à faible vitesse une fois activé à nouveau.

PRÉCAUTIONS d'utilisation pour les modes de climatisation et de déshumidification :

- Lors de l'utilisation des fonctions de climatisation et de déshumidification, maintenez un intervalle d'au moins 3 minutes entre chaque mise sous tension et hors tension.
- L'alimentation électrique doit satisfaire aux exigences.
- La prise est adaptée à une utilisation en courant alternatif.
- Ne branchez pas d'autres appareils à la même prise.
- L'alimentation est CA 220-240V, 50Hz.

Alarme de manque d'eau

Dans des conditions normales d'utilisation, l'unité peut évaporer automatiquement l'eau condensée, et une petite quantité d'eau s'accumule dans le bac à eau intérieur.

Dès que l'eau condensée recueillie dans le bac à eau intérieur atteint une certaine hauteur, une alarme de bac plein d'eau sera émise : l'indicateur de bac plein s'allumera et l'affichage numérique affichera le code « E2 » environ 5 minutes plus tard.

Ainsi, lorsque l'alarme de bac plein se produit, veuillez vidanger l'eau hors du bac à eau. Retirez la gaine en caoutchouc, puis le bouchon en caoutchouc de l'orifice de vidange situé au bas de l'appareil, et videz l'eau.

Vidange continue

Une vidange continue peut être utilisée pour éviter que l'alarme sonore de bac plein ne soit émise. Préparez un tuyau de vidange. Raccordez-le à l'orifice de vidange situé au milieu de l'unité et évacuez l'eau dans un seau ou un siphon de sol. L'unité peut également fonctionner correctement.

- Si vous prévoyez de laisser cet appareil inutilisé pendant une longue période, veuillez utiliser les deux orifices de vidange pour évacuer l'eau.
- Si l'eau condensée s'accumule rapidement et déclenche rapidement l'alarme de bac plein, le moteur à l'intérieur de la machine pourra être endommagé. Dans ce cas, veuillez contacter notre service après-vente sur www.emerio.eu/service

NETTOYAGE ET ENTRETIEN

- Avant le nettoyage, veillez à débrancher l'appareil de la prise d'alimentation électrique.
- N'utilisez pas d'essence ou d'autres produits chimiques pour nettoyer l'appareil.
- Ne lavez pas l'appareil directement.

Filtre à air

Si le filtre à air est encrassé par la poussière / la saleté, nettoyez-le toutes les deux semaines.

- Retirez le filtre à air du bas de l'appareil.
- Nettoyer le filtre à air avec un détergent neutre dans de l'eau tiède (40 ° C) et faites-le sécher à l'ombre.
- Remplacez le filtre à air.

Nettoyage de la surface

Commencez par nettoyer la surface avec un détergent neutre et un chiffon humide, puis essuyez-la avec un chiffon sec.

GUIDE DE DÉPANNAGE

Problèmes	Causes possibles	Solutions
L'appareil ne démarre pas lorsque vous appuyez sur le bouton d'alimentation	L'indicateur de bac d'eau plein clignote, ce qui signifie que le bac est plein d'eau.	Retirez le bouchon de caoutchouc pour vider l'eau hors de la sortie de vidange.
	La température ambiante est inférieure à la température définie.	Réinitialisez la température.
L'appareil ne refroidit pas suffisamment	Les portes ou les fenêtres ne sont pas fermées.	Assurez-vous que toutes les fenêtres et les portes sont fermées.
	Il y a des sources de chaleur dans la pièce.	Éliminer les sources de chaleur si possible.
	Le tuyau d'évacuation d'air chaud n'est pas connecté ou est bloqué.	Connectez ou nettoyez le tuyau d'évacuation d'air chaud.
	Le réglage de la température est trop élevé.	Réinitialisez la température.
	L'entrée d'air est bloquée.	Nettoyez l'entrée d'air.
L'appareil est bruyant	Le sol n'est pas plat ou n'est pas assez plat.	Placez l'appareil sur une surface plane et horizontale, si possible.
	Le son provient de l'écoulement du réfrigérant à l'intérieur de l'appareil.	C'est normal.
Code E0	Le capteur de température ambiante ne fonctionne pas.	Remplacez le capteur de température ambiante. Contactez un technicien agréé pour la réparation.
Code E1	Le capteur de température du condensateur ne fonctionne pas.	Remplacez le capteur de température du condensateur. Contactez un technicien agréé pour la réparation.
Code E2	Le bac d'eau est plein lors de la climatisation	Enlevez le bouchon en caoutchouc et videz l'eau.
Code E3	Le capteur de température de l'évaporateur ne fonctionne pas.	Remplacez le capteur de température de l'évaporateur. Contactez un technicien agréé pour la réparation.
L'appareil arrête de refroidir après un cycle de fonctionnement de 50 minutes.	Lorsque la température ambiante de la pièce descend à 21°C ou moins pendant 50 minutes en mode refroidissement, l'appareil est arrêté pendant 5 minutes par le programme par défaut.	Aucune action n'est requise. Ceci permet d'éviter que les tuyaux de refroidissement internes en cuivre ne gèlent. L'appareil reprendra après 5 minutes et ce processus de cycle sera répété en continu.

DONNÉES TECHNIQUES

Remarque : Échelle de température de fonctionnement :

	Refroidissement maximum	Refroidissement minimum
Température de bulbe sec / Température de bulbe humide (°C)	35/24	18/12

Données ci-dessous pour votre référence

Modèle	PAC-127068.1
Tension nominale	220-240V
Fréquence nominale	50Hz
Entrée nominale	1345W
Courant nominal	6.0A
Capacité de refroidissement	3500W (12000Btu/h)
Élimination de l'humidité (Faible / Forte)	1.2
Flux d'air	320m ³ /h

INFORMATIONS ERP

	Valeur
Marque déposée	Emerio
Identification du modèle	PAC-127068.1
Puissance sonore (refroidissement)	≤ 65 dB(A)
Nom du fluide frigorigène	R290 (0,215 kg)
Puissance absorbée nominale pour le refroidissement (kW)	1,345
Taux d'efficacité énergétique nominal	2,6
PRP (kg CO ₂ eq)	3
Classe d'efficacité énergétique	A
Consommation d'énergie pour les appareils à double conduit (kWh / h)	N / A
Consommation d'énergie pour les appareils à conduit unique (kWh / h)	1,345
Consommation en mode thermostat désactivé (W)	N / A
Consommation électrique en mode veille (W)	0,5 W
Capacité de refroidissement	3500 W

Les fuites de réfrigérants contribuent au changement climatique. Les réfrigérants ayant un potentiel de réchauffement planétaire (PRP) inférieur contribueraient moins au réchauffement planétaire qu'un réfrigérant présentant un PRG supérieur, en cas de fuite dans l'atmosphère. Cet appareil contient un fluide frigorigène avec un PRP égal à 3. Cela signifie que si 1 kg de ce fluide frigorigène était rejeté dans l'atmosphère, l'impact sur le réchauffement planétaire serait 3 fois supérieur à 1 kg de CO₂ sur une période de 100 ans. N'essayez jamais d'interférer vous-même avec le circuit de fluide frigorigène ni de le démonter vous-même et faites toujours appel à un professionnel.

#Consommation d'énergie 1,345 kWh pour le modèle PAC-127068.1 en 60 minutes d'utilisation dans des conditions d'essai normalisées. La consommation d'énergie réelle dépend de la manière dont l'appareil est utilisé et de son emplacement.

Pour toute information complémentaire, veuillez contacter :

Emerio B.V.	Customer service:	Kundeninformation:	Klantenservice:
Oudeweg 115	T: +31 (0) 23 3034369	T: +49 (0) 3222 1097 600	T: +31 (0) 23 3034369
2031 CC Haarlem	www.emerio.eu/service	www.emerio.eu/service	www.emerio.eu/service
The Netherlands			

GARANTIE ET SERVICE APRÈS-VENTE

Nos appareils sont soumis à un contrôle de qualité strict avant d'être livrés. Si l'appareil a toutefois été endommagé lors de la production ou du transport en dépit des soins que nous lui donnons, retournez l'appareil au vendeur. En plus des droits juridiques, le client a la possibilité dans les limites de la garantie de déposer les réclamations suivantes:

Nous offrons une garantie de 2 ans pour l'appareil acheté à partir de la date de vente. En cas de produit défectueux, vous pouvez retourner directement au point de vente.

Les défauts dus à une utilisation non conforme de l'appareil et les dommages dus à une intervention ou réparation faite par une tierce personne ou dus à l'installation de pièces qui ne sont pas d'origine ne sont pas couverts par cette garantie. Conservez toujours votre reçu, car sans celui-ci vous ne pourrez réclamer aucune sorte de garantie. Les dommages causés par le non respect des instructions de ce manuel rendront la garantie caduque, Nous décline toute responsabilité en cas de dommages indirects. Nous décline toute responsabilité en cas de dégâts matériels ou de dommages corporels causés par une utilisation inappropriée ou si les instructions de sécurité n'ont pas été convenablement observées. Si les accessoires sont endommagés, cela ne signifie pas que toute la machine sera remplacée gratuitement. Dans de tels cas, veuillez contacter notre assistance. Des pièces brisées en verre ou en plastique sont toujours sujettes à des frais. Les défauts des consommables ou des pièces susceptibles de s'user, ainsi que le nettoyage, l'entretien ou la réparation desdites pièces ne sont pas couverts par la garantie et doivent donc être payés.

APPAREIL RESPECTUEUX DE L'ENVIRONNEMENT



Recyclage – Directive européenne 2012/19/EU

Ce symbole indique que le produit ne doit pas être jeté avec les ordures ménagères. Pour limiter les risques pour l'environnement et la santé entraînés par le rejet non contrôlé des déchets, recyclez ce produit pour promouvoir une réutilisation responsable de ses matériaux. Pour recycler votre produit, utilisez les réseaux de collecte de votre région ou prenez contact avec le revendeur du produit. Ce dernier pourra vous aider à le recycler.



LA BATTERIE DOIT ÊTRE RECYCLÉE OU MISE AU REBUT D'UNE MANIÈRE APPROPRIÉE. NE

PAS OUVRIR. NE PAS JETER DANS UN FEU ET NE PAS COURT-CIRCUITER.

Emerio B.V.
Oudeweg 115
2031 CC Haarlem
The Netherlands

Customer service:
T: +31 (0) 23 3034369
www.emerio.eu/service

Kundeninformation:
T: +49 (0) 3222 1097 600
www.emerio.eu/service

Klantenservice:
T: +31 (0) 23 3034369
www.emerio.eu/service

Looking for spare parts? Have a look at www.spareparts.emerio.eu

Sie brauchen Ersatzteile? Besuchen Sie www.ersatzteile.emerio.eu

Onderdelen nodig? Kijk op www.onderdelen.emerio.eu

INSTRUCTIONS POUR LA RÉPARATION DES APPAREILS CONTENANT DU R290

1. Réparation

1) Vérifications de la zone

Avant de commencer à travailler sur des systèmes contenant des frigorigènes inflammables, des contrôles de sécurité sont nécessaires pour réduire au minimum le risque d'inflammation. Pour réparer le système de réfrigération, les précautions suivantes doivent être respectées avant de procéder à des travaux sur le système.

2) Procédure de travail

Les travaux doivent être effectués selon une procédure contrôlée, de manière à minimiser le risque de présence de gaz ou de vapeurs inflammables pendant l'exécution des travaux.

3) Zone de travail général

Tout le personnel de maintenance et les autres personnes travaillant dans la zone concernée doivent être informés de la nature des travaux effectués. Les travaux dans des espaces confinés doivent être évités. La zone autour de l'espace de travail doit être divisée. Assurez-vous que les conditions dans la zone ont été sécurisées par le contrôle des matériaux inflammables.

4) Vérification de la présence de réfrigérant

La zone doit être vérifiée avec un détecteur de réfrigérant approprié avant et pendant le travail, afin de s'assurer que le technicien est conscient des atmosphères potentiellement inflammables. Assurez-vous que l'équipement de détection de fuite utilisé est adapté aux fluides frigorigènes inflammables, c'est-à-dire qu'il ne produit pas d'étincelles, qu'il est correctement scellé ou qu'il est intrinsèquement sûr.

5) Présence d'extincteur

Si des travaux à chaud doivent être effectués sur l'équipement de réfrigération ou sur toute pièce associée, un équipement d'extinction d'incendie approprié doit être à disposition. Installez un extincteur à poudre sèche ou à CO₂ à proximité de la zone de chargement.

6) Aucune source d'inflammation

Aucune personne effectuant des travaux en relation avec un système de réfrigération impliquant l'exposition de tuyauteries contenant ou ayant contenu un réfrigérant inflammable ne doit utiliser une source d'inflammation susceptible de provoquer un incendie ou une explosion. Toutes les sources d'inflammation possibles, y compris une cigarette allumée, doivent être suffisamment éloignées du lieu d'installation, de réparation, de retrait et d'élimination, pendant lesquelles un réfrigérant inflammable peut éventuellement être rejeté dans l'espace environnant. Avant le début des travaux, la zone autour de l'équipement doit être inspectée pour s'assurer qu'il n'y a pas de danger d'inflammabilité ou de risque d'inflammation. Des panneaux «Interdiction de fumer» doivent être affichés.

7) Zone ventilée

Assurez-vous que la zone est à l'air libre ou qu'elle est correctement ventilée avant de pénétrer dans le système ou d'effectuer des travaux à chaud. Une certaine ventilation doit être maintenue pendant la durée des travaux. La ventilation doit disperser en toute sécurité tout fluide réfrigérant libéré et de préférence l'expulser vers l'extérieur dans l'atmosphère.

8) Contrôles de l'équipement de réfrigération

Lorsque des composants électriques sont remplacés, ils doivent être adaptés à l'usage prévu et aux spécifications appropriées. Les directives du fabricant en matière de maintenance et d'entretien doivent être suivies à tout moment. En cas de doute, consultez le service technique du fabricant.

Les contrôles suivants doivent être appliqués aux installations utilisant des réfrigérants inflammables :

- La taille de la charge est conforme à la taille de la pièce dans laquelle les pièces contenant le réfrigérant sont installées ;
- Les machines de ventilation et les sorties d'air fonctionnent correctement et ne sont pas obstrués;
- Si un circuit de réfrigération indirect est utilisé, le circuit secondaire doit être vérifié pour la présence de réfrigérant ;
- Le marquage sur l'équipement continue d'être visible et lisible. Les marques et signes illisibles doivent être corrigés ;

- Les tuyaux ou composants de réfrigération sont installés dans une position où ils ne risquent pas d'être exposés à une substance susceptible de corroder les composants contenant du fluide frigorigène, à moins que les composants ne soient construits avec des matériaux présentant une résistance inhérente à la corrosion ou une protection adéquate contre la corrosion.

9) Contrôles des appareils électriques

La réparation et la maintenance des composants électriques doivent inclure les contrôles de sécurité initiaux et les procédures d'inspection des composants. S'il existe un défaut susceptible de compromettre la sécurité, aucune alimentation électrique ne doit être connectée au circuit jusqu'à ce que le problème soit résolu de manière satisfaisante. Si le défaut ne peut pas être corrigé immédiatement mais qu'il est nécessaire de poursuivre le fonctionnement, une solution temporaire adéquate doit être utilisée. Cela doit être signalé au propriétaire de l'équipement afin que toutes les parties soient informées. Les contrôles de sécurité initiaux doivent inclure :

- que les condensateurs soient déchargés : cela doit être fait de manière sûre pour éviter toute possibilité d'étincelle ;
- qu'il n'y a pas de composants électriques et de câbles sous tension qui soient exposés lors du chargement, de la récupération ou de la purge du système ;
- Qu'il existe une continuité de la mise à la terre.

2. Réparations des composants scellés

- 1) Pendant les réparations des composants scellés, toutes les alimentations électriques doivent être débranchées de l'équipement utilisé avant l'enlèvement des couvercles scellés, etc. S'il est absolument nécessaire d'avoir une alimentation électrique de l'équipement pendant la procédure d'entretien, un système permanent de détection de fuite doit être situé au point le plus critique pour avertir d'une situation potentiellement dangereuse.
- 2) Une attention particulière doit être portée aux points suivants afin de garantir que le travail sur les composants électriques ne modifie pas le boîtier de manière à ne pas nuire à la protection. Cela inclut les dommages sur les câbles, le nombre excessif de connexions, les bornes non conformes aux spécifications d'origine, les dommages sur les joints d'étanchéité, le mauvais montage des presse-étoupes, etc.

Assurez-vous que l'appareil est bien monté. Assurez-vous que les joints ou les matériaux d'étanchéité ne sont pas dégradés de telle sorte qu'ils ne servent plus à empêcher la pénétration d'atmosphères inflammables. Les pièces de rechange doivent être conformes aux spécifications du fabricant.

REMARQUE : L'utilisation d'un produit d'étanchéité à base de silicone peut nuire à l'efficacité de certains types d'équipement de détection de fuites. Les composants de sécurité intrinsèque ne doivent pas nécessairement être isolés avant de travailler dessus.

3. Réparation des composants à sécurité intrinsèque

N'appliquez pas de charges inductives ou capacitatives permanentes sur le circuit sans vous assurer que cela ne dépassera pas la tension et le courant admissibles pour l'équipement utilisé. Les composants à sécurité intrinsèque sont les seuls types sur lesquels on peut travailler tout en étant dans une atmosphère inflammable. L'appareil d'essai doit avoir les spécifications correctes. Remplacez les composants uniquement par des pièces spécifiées par le fabricant. D'autres pièces peuvent provoquer l'inflammation du réfrigérant dans l'atmosphère par une fuite.

4. Câblage

Vérifiez que le câblage ne sera pas soumis à l'usure, à la corrosion, à une pression excessive, aux vibrations, aux arêtes vives ou à tout autre effet nuisible. Le contrôle doit également prendre en compte les effets du vieillissement ou des vibrations continues provenant de sources telles que les compresseurs ou les ventilateurs.

5. Détection de réfrigérants inflammables

En aucun cas, des sources d'inflammation potentielles ne doivent être utilisées pour rechercher ou détecter des fuites de réfrigérant. Une torche aux halogénures (ou tout autre détecteur utilisant une flamme nue) ne doit pas être utilisée.

6. Méthodes de détection de fuite

Les méthodes de détection des fuites suivantes sont jugées acceptables pour les systèmes contenant des frigorigènes inflammables.

Des détecteurs de fuites électroniques doivent être utilisés pour détecter les réfrigérants inflammables, mais la sensibilité peut ne pas être adéquate ou nécessiter un réétalonnage. (L'équipement de détection doit être étalonné dans une zone sans réfrigérant). Assurez-vous que le détecteur n'est pas une source potentielle d'inflammation et qu'il convient au réfrigérant utilisé. L'équipement de détection des fuites doit être réglé sur un pourcentage de la LF du réfrigérant et doit être étalonné sur le réfrigérant utilisé et le pourcentage de gaz approprié (25% maximum) confirmé. Les fluides de détection des fuites peuvent être utilisés avec la plupart des réfrigérants, mais l'utilisation de détergents contenant du chlore doit être évitée car le chlore peut réagir avec le réfrigérant et corroder les conduites en cuivre. Si une fuite est suspectée, toutes les flammes nues doivent être retirées / éteintes. Si une fuite de réfrigérant nécessitant un brasage est détectée, tout le réfrigérant doit être récupéré du système ou isolé (au moyen de vannes d'arrêt) dans une partie du système éloignée de la fuite. L'azote exempt d'oxygène (OFN) doit ensuite être purgé à travers le système avant et pendant le processus de brasage.

7. Retrait et évacuation

Lorsque vous accédez au circuit de fluide frigorigène pour effectuer des réparations - ou à toute autre fin - utilisez les procédures classiques. Cependant, il est important que les meilleures pratiques soient suivies car l'inflammabilité est dangereuse. La procédure suivante doit être respectée :

- Retirez le réfrigérant ;
- Purgez le circuit avec un gaz inerte ;
- Évacuez ;
- Purgez à nouveau avec un gaz inerte ;
- Ouvrez le circuit en coupant ou en brasant.

La charge de réfrigérant doit être récupérée dans les bouteilles de récupération adaptées. Le système doit être « vidé » avec de l'azote sans oxygène pour rendre l'unité sûre. Ce processus peut avoir besoin d'être répété plusieurs fois. L'air comprimé ou l'oxygène ne doit pas être utilisé pour cette tâche. Le rinçage doit être réalisé en rompant le vide dans le système avec de l'azote sans oxygène et en continuant à le verser jusqu'à atteindre la pression de fonctionnement, puis en le relâchant dans l'atmosphère et en le tirant finalement vers le vide. Ce processus doit être répété jusqu'à ce qu'il n'y ait plus de réfrigérant dans le système. Lorsque la dernière charge d'azote sans oxygène est utilisée, le système doit être purgé à la pression atmosphérique pour permettre le travail. Cette opération est absolument essentielle pour que des opérations de brasage sur la tuyauterie aient lieu. Assurez-vous que la sortie de la pompe à vide ne se trouve pas à proximité de sources d'inflammation et qu'il existe une ventilation.

8. Procédures de charge

En plus des procédures de charge conventionnelles, les exigences suivantes doivent être suivies.

- Assurez-vous que les différents réfrigérants ne soient pas contaminés lors de l'utilisation d'un équipement de charge. Les tuyaux ou les conduites doivent être aussi courts que possible pour minimiser la quantité de réfrigérant qu'ils contiennent.
- Les bouteilles doivent être maintenues verticales.
- Assurez-vous que le système de réfrigération est mis à la terre avant de le charger en réfrigérant.

- Étiquetez le système lorsque le chargement est terminé (si ce n'est déjà fait).
- Un soin extrême doit être pris pour ne pas trop remplir le système de réfrigération.

Avant de recharger le système, il doit être testé sous pression avec de l'azote sans oxygène. Le système doit être soumis à un test d'étanchéité à la fin du chargement mais avant la mise en service. Un contrôle d'étanchéité doit être effectué avant de quitter le site.

9. Mise hors service

Avant d'effectuer cette procédure, il est essentiel que le technicien connaisse parfaitement l'équipement et tous ses détails. Il est recommandé, conformément aux bonnes pratiques, de récupérer tous les réfrigérants en toute sécurité. Avant l'exécution de la tâche, un échantillon d'huile et de fluide frigorigène doit être prélevé au cas où une analyse serait nécessaire avant la réutilisation du fluide frigorigène récupéré. Il est essentiel que l'alimentation électrique soit disponible avant le début de la tâche.

- a) Familiarisez-vous avec l'équipement et son fonctionnement.
- b) Isolez le système électriquement.
- c) Avant de tenter la procédure, assurez-vous que :
 - Un équipement de manutention mécanique est disponible, si nécessaire pour la manipulation des bouteilles de réfrigérant ;
 - Tous les équipements de protection individuelle sont disponibles et utilisés correctement.
 - Le processus de récupération est supervisé à tout moment par une personne compétente.
 - L'équipement de récupération et les bouteilles sont conformes aux normes appropriées.
- d) Pompez le système de réfrigérant, si possible.
- e) Si faire le vide n'est pas possible, créez un collecteur de sorte que le réfrigérant puisse être éliminé de différentes parties du système.
- f) Assurez-vous que la bouteille est située sur la balance avant la récupération.
- g) Démarrez la machine de récupération et opérez conformément aux instructions du fabricant.
- h) Ne remplissez pas trop les bouteilles. (Pas plus de 80% du volume de charge liquide).
- i) Ne dépassez pas la pression maximale de service de la bouteille, même temporairement.
- j) Lorsque les bouteilles ont été remplies correctement et que le processus est terminé, assurez-vous que les bouteilles et l'équipement sont retirés du site rapidement et que toutes les vannes d'isolement de l'équipement sont fermées.
- k) Le réfrigérant récupéré ne doit être chargé dans un autre système de réfrigération que s'il a été nettoyé et vérifié.

10. Étiquetage

L'équipement doit porter une étiquette indiquant qu'il a été mis hors service et vidé du réfrigérant. L'étiquette doit être datée et signée. Assurez-vous que l'équipement contient des étiquettes indiquant que celui-ci contient du réfrigérant inflammable.

11. Récupération

Lorsque vous retirez du fluide frigorigène d'un système, que ce soit pour un entretien ou une mise hors service, il est recommandé de retirer tous les réfrigérants de manière sûre. Lors du transfert de réfrigérant dans des bouteilles, veillez à n'utiliser que des bouteilles de récupération de réfrigérant appropriées. Assurez-vous que le nombre correct de bouteilles permettant de contenir la charge totale du système est disponible. Toutes les bouteilles à utiliser sont désignées pour le réfrigérant récupéré et étiquetées pour ce réfrigérant (c'est-à-dire des bouteilles spéciales pour la récupération du réfrigérant). Les bouteilles doivent être équipées d'une soupape de surpression et des vannes d'arrêt associées en bon état de fonctionnement. Les bouteilles de récupération vides sont évacuées et, si possible, refroidies avant la récupération. L'équipement de récupération doit être en bon état de fonctionnement, avec un ensemble d'instructions concernant

l'équipement disponible et doit être adapté à la récupération des réfrigérants inflammables. En outre, un jeu de balances étalonnées doit être disponible et en bon état de fonctionnement. Les flexibles doivent être complets avec des raccords débranchés sans fuite et en bon état. Avant d'utiliser la machine de récupération, assurez-vous qu'elle est en bon état de fonctionnement, correctement entretenue et que tous les composants électriques associés sont scellés pour éviter toute inflammation en cas de libération de réfrigérant. Consultez le fabricant en cas de doute. Le fluide frigorigène récupéré doit être renvoyé au fournisseur de fluide frigorigène dans la bouteille de récupération appropriée, et le billet de transfert de déchets correspondant doit être préparé. Ne mélangez pas les réfrigérants dans les unités de récupération et surtout pas dans les bouteilles. Si les compresseurs ou leurs huiles doivent être éliminés, assurez-vous qu'ils ont été évacués à un niveau acceptable pour vous assurer que le réfrigérant inflammable ne reste pas dans le lubrifiant. Le processus d'évacuation doit être effectué avant de retourner le compresseur aux fournisseurs. Seul un chauffage électrique du boîtier du compresseur doit être utilisé pour accélérer ce processus. Lorsque l'huile est évacuée d'un système, elle doit être effectuée en toute sécurité.

Compétence du personnel de service

Général

Une formation spéciale, en plus des procédures de réparation habituelles des équipements frigorifiques, est nécessaire lorsqu'un équipement contenant des réfrigérants inflammables est affecté.

Dans de nombreux pays, cette formation est assurée par des organismes d'entraînement nationaux accrédités pour enseigner les normes de compétences nationales pertinentes pouvant être définies dans la législation.

Les compétences acquises doivent être documentées par un certificat.

Formation

La formation doit inclure les éléments suivants :

Des informations sur le potentiel d'explosion des réfrigérants inflammables pour montrer que les produits inflammables peuvent être dangereux lorsqu'ils sont manipulés sans précaution.

Des informations sur les sources d'inflammation potentielles, en particulier celles qui ne sont pas évidentes, telles que briquets, interrupteurs d'éclairage, aspirateurs, radiateurs électriques.

Des informations sur les différents concepts de sécurité:

Non ventilé - La sécurité de l'appareil ne dépend pas de la ventilation du boîtier. La mise hors tension de l'appareil ou l'ouverture du boîtier n'a pas d'incidence significative sur la sécurité. Néanmoins, il est possible que du réfrigérant qui s'échappe s'accumule à l'intérieur du boîtier et une atmosphère inflammable se dégage à l'ouverture du boîtier.

Boîtier ventilé - La sécurité de l'appareil dépend de la ventilation du boîtier. La mise hors tension de l'appareil ou l'ouverture du boîtier ont un impact significatif sur la sécurité. Des précautions doivent être prises pour assurer une ventilation suffisante au préalable.

Pièce ventilée - La sécurité de l'appareil dépend de la ventilation de la pièce. La mise hors tension de l'appareil ou l'ouverture du boîtier n'a pas d'incidence significative sur la sécurité. La ventilation de la pièce ne doit pas être arrêtée pendant les procédures de réparation.

Informations sur le concept de composants et d'enceintes étanches selon IEC 60079-15: 2010.

Des informations sur les procédures de travail correctes :

a) Mise en service

- Assurez-vous que la surface au sol est suffisante pour la charge de réfrigérant ou que le tuyau de ventilation est correctement assemblé.
- Raccordez les tuyaux et effectuez un test d'étanchéité avant de charger du réfrigérant.
- Vérifiez les équipements de sécurité avant la mise en service.

b) Maintenance

- Les équipements portables doivent être réparés à l'extérieur ou dans un atelier spécialement équipé pour manipuler les unités avec des réfrigérants inflammables.

- Assurez une ventilation suffisante sur le lieu de réparation.
 - Sachez qu'un dysfonctionnement de l'équipement peut être causé par une perte de réfrigérant et qu'une fuite de réfrigérant est possible.
 - Déchargez les condensateurs de manière à ne causer aucune étincelle. La procédure standard pour court-circuiter les bornes du condensateur crée généralement des étincelles.
 - Remontez les boîtiers scellés avec précision. Si les joints sont usés, remplacez-les.
 - Vérifiez les équipements de sécurité avant la mise en service.
- c) Réparations
- Les équipements portables doivent être réparés à l'extérieur ou dans un atelier spécialement équipé pour manipuler les unités avec des réfrigérants inflammables.
 - Assurez une ventilation suffisante sur le lieu de réparation.
 - Sachez qu'un dysfonctionnement de l'équipement peut être causé par une perte de réfrigérant et qu'une fuite de réfrigérant est possible.
 - Déchargez les condensateurs de manière à ne causer aucune étincelle.
 - Lorsqu'un brasage est requis, les procédures suivantes doivent être effectuées dans le bon ordre :
 - Retirez le fluide frigorigène. Si la récupération n'est pas exigée par les réglementations nationales, vidangez le réfrigérant vers l'extérieur. Veillez à ce que le réfrigérant drainé ne présente aucun danger. En cas de doute, une personne doit observer la sortie. Veillez à ce que le réfrigérant drainé ne retourne pas dans le bâtiment.
 - Évacuez le circuit frigorifique.
 - Purgez le circuit de réfrigérant à l'azote pendant 5 minutes.
 - Évacuez à nouveau.
 - Enlevez les pièces à remplacer en les coupant et non en les enflammant.
 - Purgez le point de brasage à l'azote pendant le processus de brasage.
 - Effectuez un test d'étanchéité avant de charger du réfrigérant.
 - Remontez les boîtiers scellés avec précision. Si les joints sont usés, remplacez-les.
 - Vérifiez les équipements de sécurité avant la mise en service.
- d) Mise hors service
- Si la sécurité est affectée lorsque l'équipement est mis hors service, la charge de réfrigérant doit être retirée avant la mise hors service.
 - Assurez une ventilation suffisante à l'emplacement de l'équipement.
 - Sachez qu'un dysfonctionnement de l'équipement peut être causé par une perte de réfrigérant et qu'une fuite de réfrigérant est possible.
 - Déchargez les condensateurs de manière à ne causer aucune étincelle.
 - Retirez le fluide frigorigène. Si la récupération n'est pas exigée par les réglementations nationales, vidangez le réfrigérant vers l'extérieur. Veillez à ce que le réfrigérant drainé ne présente aucun danger. En cas de doute, une personne doit observer la sortie. Veillez à ce que le réfrigérant drainé ne retourne pas dans le bâtiment.
 - Évacuez le circuit frigorifique.
 - Purgez le circuit de réfrigérant à l'azote pendant 5 minutes.
 - Évacuez à nouveau.
 - Versez l'azote jusqu'à la pression atmosphérique.
 - Placez une étiquette sur l'équipement indiquant que le réfrigérant est retiré.
- e) Mise au rebut
- Assurez une ventilation suffisante sur le lieu de travail.
 - Retirez le fluide frigorigène. Si la récupération n'est pas exigée par les réglementations nationales, vidangez le réfrigérant vers l'extérieur. Veillez à ce que le réfrigérant drainé ne présente aucun danger. En cas de doute, une personne doit observer la sortie. Veillez à ce que le réfrigérant drainé ne retourne pas dans le bâtiment.
 - Évacuez le circuit frigorifique.

- Purgez le circuit de réfrigérant à l'azote pendant 5 minutes.
- Évacuez à nouveau.
- Découpez le compresseur et vidangez l'huile.

Transport, marquage et stockage pour les unités utilisant des réfrigérants inflammables

Transport d'équipements contenant des frigorigènes inflammables

L'attention est attirée sur le fait que des réglementations supplémentaires en matière de transport peuvent exister pour les équipements contenant des gaz inflammables. Le nombre maximal d'équipements ou la configuration des équipements pouvant être transportés ensemble sera déterminé par les réglementations de transport applicables.

Marquage de l'équipement à l'aide de panneaux

Les panneaux relatifs à des appareils similaires utilisés dans une zone de travail sont généralement régies par les réglementations locales et définissent les exigences minimales en matière de signalisation de sécurité et / ou de santé pour un lieu de travail .

Tous les panneaux requis doivent être entretenus et les employeurs doivent veiller à ce que les employés reçoivent des instructions et une formation appropriées et suffisantes sur la signification des panneaux de sécurité appropriés et sur les mesures à prendre en relation avec ces panneaux.

L'efficacité des panneaux ne doit pas être diminuée par un trop grand nombre de panneaux placés ensemble.

Tous les pictogrammes utilisés doivent être aussi simples que possible et ne contenir que des détails essentiels.

Mise au rebut des équipements utilisant des réfrigérants inflammables

Reportez-vous aux réglementations nationales.

Rangement des équipements / appareils

Le stockage de l'équipement doit être conforme aux instructions du fabricant.

Stockage du matériel emballé (invendu)

La protection de l'emballage de stockage doit être conçue de manière à ce que les dommages mécaniques causés à l'équipement à l'intérieur de l'emballage ne provoquent pas une fuite de la charge de réfrigérant.

Le nombre maximal d'équipements pouvant être stockés ensemble sera déterminé par la réglementation locale.

SÄKERHETSANVISNINGAR

Före användning och för att att erhålla bästa resultat från apparaten, var noga med att läsa igenom alla instruktioner nedan för att undvika skada på person eller egendom. Se till att förvara denna bruksanvisning på en säker plats. Om du ger bort eller överlåter denna apparat till någon, se till att även inkludera denna bruksanvisning.

Vid skador som orsakats av att användaren inte följer instruktionerna i denna bruksanvisning ogiltighetsförklaras garantin. Tillverkaren/importören tar inget ansvar för skador som orsakats av underlåtenhet att följa bruksanvisningen, vid en vårdslös användning eller användning som inte är i enlighet med kraven i denna bruksanvisning.

1. Läs igenom och spara dessa instruktioner. Obs! Bilderna häri är endast för referens.
2. Denna apparat får användas av barn från 8 års ålder, personer med nedsatt fysisk, sensorisk eller mental förmåga eller personer med brist på erfarenhet och kunskap om de övervakas eller fått instruktioner angående användningen av apparaten på ett säkert sätt och förstår riskerna.
3. Barn får inte leka med apparaten.
4. Rengöring och underhåll av apparaten får inte göras av barn utan vuxens tillsyn.
5. Om sladden är skadad måste den bytas ut av tillverkaren, en av tillverkaren godkänd reparatör eller liknande kvalificerad person för att undvika faror.
6. Använd produkten endast inomhus.
7. Använd inte enheten i områden där: den är nära brandkällor, där olja kan skvätta, den utsätts för direkt solljus, där vatten kan skvätta, i en tvättstuga, dusch eller nära en simbassäng.
8. För aldrig in fingrar, pinnar i luftutloppet. Var särskilt noga med att informera barn om dessa faror.

9. Håll enheten upprätt under transport och förvaring så att kompressorn är korrekt inriktad.
10. Stäng alltid av och dra koppla ur strömförsörjningen innan du sätter ihop, rengör eller flyttar enheten.
11. För att undvika brandfara skall aldrig apparaten täckas över.
12. Alla kontakter till luftkonditioneringen måste uppfylla lokala elektriska säkerhetskrav. Om så behövs, kontrollera om det uppfyller kraven.
13. Apparaten skall installeras i enlighet med nationella elinstallationsbestämmelser.
14. Detaljer om typ är märkning av säkringar: T, 250V AC, 2A eller 3,15 A.
15. Kontakta en auktoriserad servicetekniker för reparation eller underhåll av denna enhet.
16. Dra inte i, deformera eller modifiera strömsladden eller sänk ner den i vatten. Att dra i eller missbruka strömsladden kan resultera i skador på enheten och orsaka elektriska stötar.
17. Uppfyllelse av nationella gasbestämmelser skall iakttas.
18. Service skall endast utföras såsom rekommenderas av utrustningens tillverkare. Underhåll och reparation som kräver assistans av annan kunnig personal skall utföras under översikt av personen som är kompetent för användning av brandfarliga kylmedel.
19. Använd inte eller stoppa enheten genom att sätta i eller dra ut elkontakten, det kan orsaka elstötar eller brand på grund av generering av hetta.
20. Koppla ifrån enheten om det avger konstiga ljud, lukt eller rök kommer från den.
21. Anslut alltid enheten till ett jordat uttag.
22. Vid skada, stäng av omkopplaren, koppla ifrån strömförsörjningen och kontakta ett auktoriserat servicecenter för reparation.
23. Snabba inte på avfrostningen med några hjälpmedel eller för rengöring andra än de processer som rekommenderas av tillverkaren.

24. Apparaten skall förvaras i ett rum utan kontinuerligt arbetande gnistkällor (exempelvis öppna lågor, en arbetande elektrisk värmeapparat).
25. Stick inte hål eller bränn.
26. Var medveten om att kylmedel kanske inte innehåller någon lukt.
27. Denna apparat innehåller R290 kylmedelsgas. R290 är en kylmedelsgas som uppfyller de europeiska direktiven för miljön. Punktera inte någon del av kylmedelskretsen.
28. Om apparaten har installerats, används eller förvaras i ett oventilerat rum måste rummet vara designat för att förhindra ackumulering av läckande kylmedel vilket resulterar en brandrisk eller explosion på grund av antändning av kylmedlet vilket orsakas av elektriska värmare, spisar eller andra källor för antändning.
29. Apparaten måste förvaras på ett sätt så att mekaniska fel förhindras.
30. Personer som hanterar eller arbetar med kylkretsen måste ha lämplig certifiering utgiven av en ackrediterad organisation som garanterar kompetensen för hantering av kylmedel i enlighet med en specifik utvärdering som erkänns i samarbete med industrin.
31. Reparationer måste utföras baserat på rekommendationerna från det tillverkande företaget. Underhåll och reparationer som kräver assistans av annan kvalificerad person måste utföras under övervakning av en person som specificerats i användning av brandfarliga kylmedel.
32. Låt alltid apparaten vila minst 2 timmar efter att den flyttas från en plats till en annan.
33. Beträffande instruktioner för reparation av apparater som innehåller R290, se nedanstående stycken.



Varning: Risk för brand/Brandfarligt material.



Läs igenom bruksanvisningarna.



Bruksanvisning; driftinstruktioner.



Serviceindikator, läs tekniska manualen.

Varning: Håll ventilationsöppningarna fria från tilltäppning.
Varning: Apparaten skall förvaras i väl ventilerade områden där rumsstorleken motsvarar rumsarean som specificerats för drift.

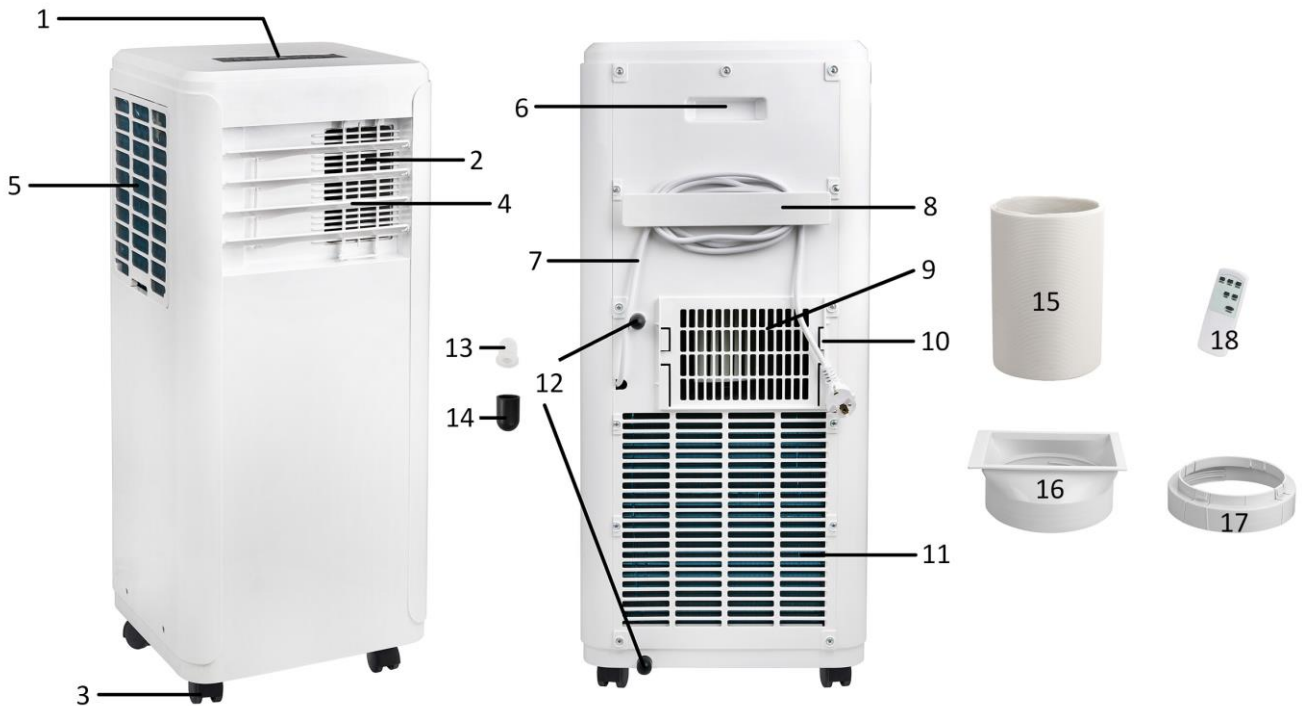
Alla arbetsmetoder som påverkar säkerhetsanordningarna får endast utföras av behöriga personer.

Avståndet som krävs runt enheten skall vara minst 30 cm.

Apparaten skall installeras, hanteras och förvaras i ett rum med en golvyta som är större än X m².

MODELL	X (m ²)	Modell
5000Btu/h,7000Btu/h, 8000Btu/h	4	-
9000Btu/h,10000Btu/h, 10500Btu/h	12	-
12000Btu/h,14000Btu/h, 16000Btu/h,18000Btu/h	15	PAC-127068.1

BESKRIVNING AV ENHETENS DELAR

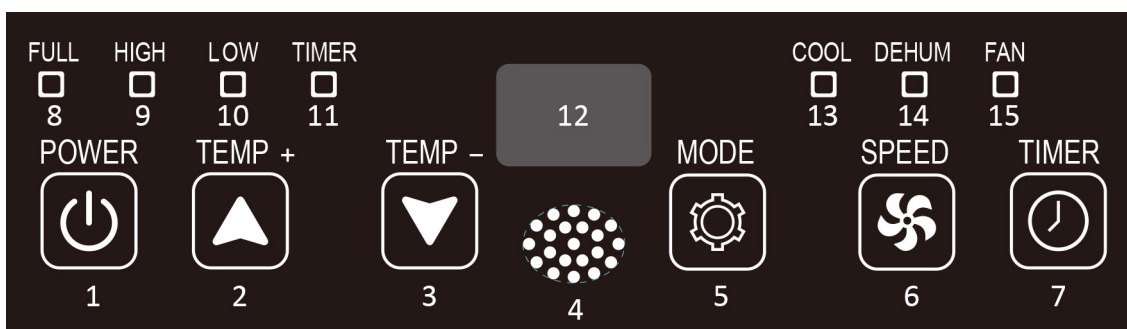


- | | |
|---|--|
| 1. Kontrollpanel | 10. Konsol för slanganslutning (ände luftkonditionering) |
| 2. Luftutlopp | 11. Luftintag |
| 3. Hjul | 12. Tömningsport |
| 4. Spjällgaller för att kontrollera fläktriktningen upp och ned | 13. Gummistopp till tömningsporten |
| 5. Luftfilter | 14. Gummisko |
| 6. Handtag | 15. Utblåsslång hetluft |
| 7. Strömlampa | 16. Slanganslutning (ände luftkonditionering) |
| 8. Strömsladdsförvaring | 17. Slanganslutning (fönsterände) |
| 9. Utblås hetluft | 18. Fjärrkontroll |

Fjärrkontroll

Denna enhet har en fjärrkontroll. 2 x 1.5V AAA batterier skall installeras. Funktionerna hos fjärrkontrollens knappar är samma som för kontrollpanelen.

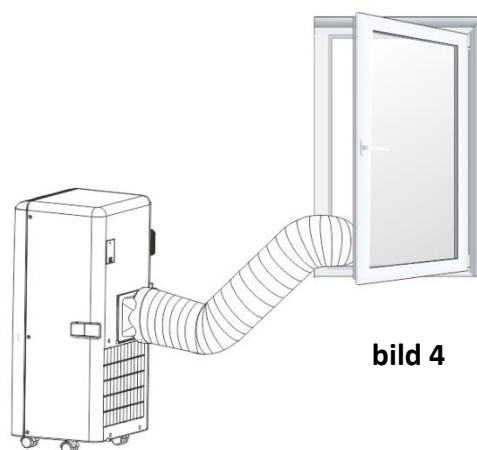
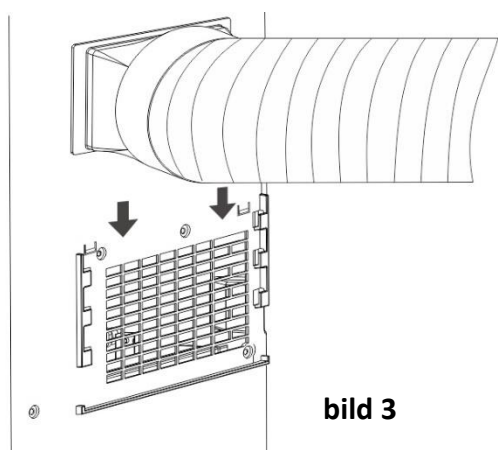
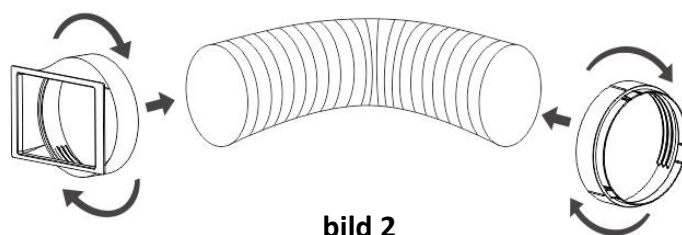
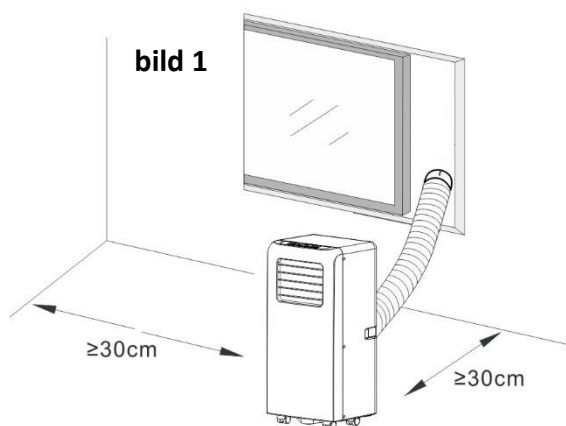
Kontrollpanel



1. Strömknapp
2. Temperaturknapp (timer) för ökning
3. Temperaturknapp (timer) för minskning
4. Fjärrkontroll signalmottagarfönster
5. Lägesknapp
6. Knapp för fläkthastighet
7. På/av-knapp timer
8. Indikatorlampa vatten fullt
9. Indikatorlampan för hög fläkthastighet
10. Indikatorlampan för låg fläkthastighet
11. Indikatorlampan timer
12. Digitaldisplay
13. Indikatorlampan kylläge
14. Indikatorlampa avfuktningläge
15. Fläktläge indikatorlampa

INSTALLATION (Bilderna nedan är en vägledning för att installera apparaten. Apparats utseende kan skilja sig från den produkt du köpte.)

- Enheten skall installeras på en plan yta där luftutblåset inte kommer att blockeras. Avståndet som krävs runt enheten skall vara minst 30 cm. **(bild 1).**
- Enheten skall inte installeras i en tvättstuga.
- Vrid båda slanganslutningarna på utblåsslängen för het luft. **(bild 2).**
- Sätt in slanganslutningen (luftkonditioneringens ände) i konsolen på baksidan av enheten. **(bild 3)**
- Placera den andra änden av utblåsslängen nära fönsterbänken. **(bild 4)**



ANVÄNDNING

Låt alltid apparaten vila minst 2 timmar efter att den flyttas från en plats till en annan.

Innan användning, kontrollera att utblåsslängen har monterats korrekt. Anslut apparaten till eluttaget.

1. Strömknapp

Tryck på strömbrytaren för att starta apparaten. Apparaten kommer att börja arbeta i kylläge med låg fläkthastighet. Tryck på knappen igen, apparaten kommer nu att stängas av.

2. Temperaturknapp (timer) för ökning och temperaturknapp (timer) för minskning

Tryck på knappen "TEMP+"/"TEMP-" för att ställa in önskad rumstemperatur från 16 °C till 31 °C. Knapparna kan också användas för inställning av timer från 1-24 timmar under timerinställning. Värdet kommer att öka/minska med by 1 (°C/timme) för varje tryckning. Långtryckning för snabbjustering.

Notera: Apparaten stänger av kompressorn (för kylning) automatiskt när rumstemperaturen når den inställda temperaturen. Kompressorn kommer att slås på automatiskt när rumstemperaturen sjunker under den inställda temperaturen. Fläkten på insidan arbetar alltid under denna process. När kompressorn arbetar kommer enheten att vibrera något. Detta är normalt och är ofarligt.

3. Knapp för fläkthastighet

Tryck på knappen "SPEED" för att välja låg och hög fläkthastighet. Motsvarande indikatorlampa "LOW"/"HIGH" kommer att lysa.

4. Lägesknapp

Tryck på knappen "MODE" för att välja önskat arbetsläge mellan kylning, avfuktning och fläkt.

- Under kylningsläget kommer motsvarande "COOL" att lysa. Tryck sedan på knappen "TEMP+"/"TEMP-" eller "-" för att ställa in önskad rumstemperatur. Tryck sedan på knappen "SPEED" för att ställa in önskad fläkthastighet.
- Under avfuktningläget kommer motsvarande indikatorlampa "DEHUM" att lysa. Apparaten kommer automatiskt att ställa in arbetstemperaturen (2 °C under nuvarande rumstemperatur) och ställa in fläkthastigheten på låg. Temperature och fläkthastigheten kan inte justeras manuellt.
- Under fläktläge kommer motsvarande indikatorlampa "FAN" att lysa. Tryck på knappen "SPEED" för att välja låg och hög fläkthastighet. Notera: Under detta läge fungerar inte temperaturfunktion. Den digitala displayen visar ett värde och det är betydelselöst.

5. På/av-knapp timer

Timerinställning PÅ:

- När apparaten är avstängd, tryck på knappen "TIMER", motsvarande indikatorlampa "TIMER" kommer att lysa.
- Tryck på knappen "TEMP+"/"TEMP-" för att välja önskad påslagningstid mellan 1-24 timmar. "Preset ON Time" kommer att blinka på den digitala displayen. Tryck på knappen "TIMER" igen (när den fortfarande blinkar) och inställningen kommer att aktiveras.
- Apparaten kommer att slås på automatiskt när "Preset ON Time" har passerats.

Timer OFF inställning

- När apparaten är påslagen, tryck på knappen "TIMER", motsvarande indikatorlampa "TIMER" kommer att lysa.
- Tryck på knappen "TEMP+"/"TEMP-" för att välja önskad avstängningstid mellan 1-24 timmar. "Preset OFF Time" kommer att blinka på den digitala displayen. Tryck på knappen "TIMER" igen (när den fortfarande blinkar) och inställningen kommer att aktiveras.
- Apparaten kommer att stängas av automatiskt när "Preset OFF Time" har passerats.

Notera: Den digitala displayen kommer att visa nedräkningstiden i timmar efter att timerns ställts in. Tryck på knappen "TIMER" igen, timerfunktionen kommer att avbrytas.

Notera: Apparaten kommer att fortsätta arbeta med det tidigare inställda läget när den slås på igen utan att kontakten har kopplats ifrån. Om apparaten har kopplats ifrån innan kommer den att börja arbeta i kyläge med låg fläkthastighet när den slås på igen.

FÖRSIKTIGHET för kylnings- och avfuktningfunktion:

- När funktioner används för kylning och avfuktning, ha ett intervall på minst tre minuter mellan varje påslagning och avstängning.
- Strömförsörjningen skall uppfylla kraven.
- Uttaget är lämpligt för växelströmsanvändning.
- Dela inte uttaget med andra apparater.
- Strömförsörjningen är AC220-240V, 50Hz.

Larm om fullt vatten

Vid normal användning kan enheten avdunsta kondensvattnet automatiskt, och lite vatten samlas på den inre vattenbrickan.

Så snart kondensvattnet som samlas på den inre vattenbrickan når en viss höjd skickas ett larm om fullt med vatten: indikatorlampan för fullt med vatten tänds och på den digitala displayen visas koden "E2" ca 5 minuter senare.

När larmet för fullt med vatten inträffar ska du tömma vattnet på vattenbrickan. Ta bort gummiskon och sedan gummiproppen från dräneringsöppningen i botten av enheten och tömma ut vattnet.

Kontinuerlig tömning

Kontinuerlig tömning kan användas för att undvika störningar i larmet om vattenfyllning. Förbered en tömningsslang. Anslut den till avloppsporten i mitten av enheten och låt vattnet rinna ut i en hink eller ett golvvavlopp. Enheten kan också arbeta bra.

- Om du planerar att lämna enheten oanvänd under en längre tid, använd båda avloppsportarna för att tömma ut vattnet.
- Om det kondenserade vattnet ackumuleras snabbt och leder till larm om vattenfyllning inom kort kan stänkmotorn inuti maskinen skadas. Kontakta i så fall vår serviceavdelning på www.emerio.eu/service.

RENGÖRING OCH UNDERHÅLL

- Innan rengöring, se till att koppla ifrån apparaten från alla elektriska anslutningar.
- Använd inte bensin eller andra kemikalier för att rengöra apparaten.
- Spola inte direkt på apparaten.

Luftfilter

Om luftfiltret blir tilltäppt med damm/smuts skall luftfiltret rengöras var fjortonde dag.

- Dra ut luftfiltret från undersidan och ta bort den från apparaten.
- Rengör luftfiltret med ett neutralt rengöringsmedel i ljummet vatten (40 °C) och torka i skuggan.
- Sätt tillbaka luftfiltret.

Rengöra ytan

Rengör först ytan med ett neutralt rengöringsmedel och vår trasa torka sedan av den med en torr trasa.

FELSÖKNING

Problem	Möjlig orsak	Lösningar
Apparaten startar inte vid tryckning på strömbrytaren	Indikatorlampan för fullt med vatten blinkar och vattenbrickan är full.	Ta bort gummistoppet för att tömma ut vattnet från dräneringsutloppet.
	Rumstemperaturen är lägre än den inställda temperaturen.	Återställ temperaturen.
Inte tillräckligt svalt	Dörrarna och fönstren är inte stängda.	Se till att alla fönster och dörrar är stängda.
	Det finns värmekällor i rummet.	Ta, om möjligt, bort värmekällorna.
	Utblåsslangen för hetluft är inte ansluten eller blockerad.	Anslut eller rengör utblåsslangen för hetluft.
	Temperaturinställningen är alltför hög.	Återställ temperaturen.
	Luftintaget är blockerat.	Rengör luftintaget.
Buller	Underlaget är inte jämnt eller tillräckligt plant.	Placera, om möjligt, apparaten på en plan och jämn yta.
	Ljudet kommer från flödet av kylmedel inuti apparaten.	Det är normalt.

E0 Kod	Sensorn för rumstemperaturen är felaktig.	Byt sensorn för rumstemperaturen. Kontakta en auktoriserad servicetekniker för reparation.
E1 Kod	Sensorn för kondensstemperaturen är felaktig.	By sensorn för kondensstemperatur. Kontakta en auktoriserad servicetekniker för reparation.
E2 Kod	Vattenbrickan är full vid kylning.	Ta bort gummistoppet och töm vattenbehållaren.
E3 Kod	Sensorn för avdunstningstemperaturen är felaktig.	By sensorn för avdunstningstemperaturen. Kontakta en auktoriserad servicetekniker för reparation.
Apparaten slutar att kyla efter 50 minuters körcykel.	När den omgivande rumstemperaturen sjunker till 21 °C eller lägre under 50 minuter i kylningsläget stängs apparaten av i 5 minuter enligt standardprogrammet.	Inga åtgärder krävs. Detta för att undvika att de inre kopparkylrören fryser. Apparaten startar igen efter 5 minuter och denna cykelprocess upprepas kontinuerligt.

TEKNISKA DATA

Meddelande: Drifttemperaturområde:

	Maximal kylning	Minimum kylning
Torr kolvtemperatur/ Våt kolvtemperatur (°C)	35/24	18/12

Nedanstående data för driftreferens

Modell	PAC-127068.1
Märkspänning	220-240V
Märkfrekvens	50Hz
Märkeffekt	1345W
Märkström	6,0A
Kylkapacitet	3500W (12000Btu/h)
Fukt borttagning (L/H)	1,2
Luftflöde	320m ³ /h

ERP-INFORMATION

	Värde
Varumärke	Emerio
Modellidentifikation	PAC-127068.1
Ljudeffekt (kylning)	≅ 65dB(A)
Namn på kylmedel	R290 (0,215kg)
Märkeffekt inmatning för kylning (kW)	1,345
Märkeenergi effektivförhållande	2,6
GWP (kgCO ₂ eq)	3
Märkeenergi effektivklass	A
Energiförbrukning för apparater med dubbla rör (kWh/h)	Inte tillämpligt
Energiförbrukning för apparater med enklerör (kWh/h)	1,345
Energiförbrukning i termostat vi avstängt läge (W)	Inte tillämpligt
Energiförbrukning i standby-läge (W)	0,5W
Kylkapacitet	3500W

Läckage av kylmedel bidrar till klimatförändringar. Kylmedel mer lägre global uppvärmningspotential (global warming potential/GWP) kommer att bidra mindre till global uppvärmning är kylmedel med högre GWP, om det läcker ut till atmosfären. Denna apparat innehåller en kylmedelsvätska med ett GWP lika med 3. Det betyder att om ett kg av detta kylmedel läcker ut i atmosfären kommer påverkan på den globala uppvärmningen att vara 3 gånger högre än ett kg CO₂, över en period på 100 år. Försök aldrig att mixtra med kylkretsen själv eller demontera produkten utan fråga alltid en fackman.

#Energiförbrukning 1,345 kWh för modell PAC-127068.1 vid 60 minuters användning under standardtestförhållanden. Den verkliga energiförbrukningen beror på hur enheten används och var den är placerad.

För ytterligare information, kontakta:

Emerio B.V. Oudeweg 115 2031 CC Haarlem The Netherlands	Customer service: T: +31 (0) 23 3034369 www.emerio.eu/service	Kundeninformation: T: +49 (0) 3222 1097 600 www.emerio.eu/service	Klantenservice: T: +31 (0) 23 3034369 www.emerio.eu/service
---	---	---	---

GARANTI OCH KUNDTJÄNST

Innan leverans genomgår våra apparater en sträng kvalitetskontroll. Om det trots detta skulle uppstå någon skada på produktionen eller vid transporten, ber vi dig att ta med apparaten tillbaka till inköpsstället. Förutom de i lag fastställda garantianspråken har köparen möjlighet att göra gällande följande anspråk på garanti:

För den köpta apparaten ges 2 års garanti, med början på inköpsdagen. Om du har en defekt produkt, kan du vända dig direkt till inköpsstället.

Brister som uppstår genom felaktig hantering av apparaten och fel som uppstår genom ingrepp och reparationer av tredje man eller montering av främmande delar, omfattas ej av vår garanti. Behåll alltid ditt kvitto då det är din garanti vid eventuell reklamation. Skador som uppstår p.g.a. att instruktionsmanualen inte följs ogiltigförklarar garantin och om detta leder till påföljande skador så kan inte vi hållas ansvariga. Vi kan inte hållas ansvariga för materiella skador eller personskador som orsakas av felaktig användning eller om inte säkerhetsföreskrifterna följs. Skador på tillbehören innebär inte per automatik ersättning av hela apparaten. I sådana fall ska du kontakta vår kundservice. Trasigt glas och trasiga plastdelar innebär alltid en kostnad. Defekter på förbrukningsartiklar eller slitdelar och även skador orsakade av rengöring, underhåll eller byte av tidigare nämnda delar täcks inte av garantin och ska således betalas av ägaren.

MILJÖVÄNLIG KASSERING



Återvinning – EU-direktiv 2012/19/EU

Denna markering indikerar att produkten inte får kastas tillsammans med övrigt hushållsavfall. För att förhindra eventuell skada på miljön eller människors hälsa på grund av okontrollerad avfallshantering,

återvinns de på ett ansvarsfullt sätt som främjar en hållbar återanvändning av materiella resurser. För att återlämna den använda enheten, använd retur- och insamlingsystem eller kontakta återförsäljaren där produkten var köpt. De kan ta denna produkt för miljösäker återvinning.



BATTERIET MÅSTE ÅTERVINNAS ELLER KASSERAS PÅ ETT KORREKT SÄTT. FÅR INTE ÖPPNAS.

FÅR INTE KASSERAS I ÖPPEN ELD ELLER KORTSLUTAS.

Emerio B.V. Oudeweg 115 2031 CC Haarlem The Netherlands	Customer service: T: +31 (0) 23 3034369 www.emerio.eu/service	Kundeninformation: T: +49 (0) 3222 1097 600 www.emerio.eu/service	Klantenservice: T: +31 (0) 23 3034369 www.emerio.eu/service
---	---	---	---

Looking for spare parts? Have a look at www.spareparts.emerio.eu

Sie brauchen Ersatzteile? Besuchen Sie www.ersatzteile.emerio.eu

Onderdelen nodig? Kijk op www.onderdelen.emerio.eu

INSTRUKTION FÖR REPARATION AV APPARATER SOM INNEHÅLLER R290

1. Service

1) Kontroller för området

Innan arbete påbörjas på system som innehåller antändbara kylmedel är det nödvändigt med säkerhetskontroller för att garantera att risken för antändning är minimerad. För reparationer av kylsystem skall följande säkerhetsåtgärder uppfyllas innan arbete påbörjas på systemet.

2) Arbetsprocedur

Arbete skall under en kontrollerad procedur frö att minimera risken att brännbara gaser eller ånga finns närvarande när arbetet påbörjas.

3) Allmänt arbetsområde

All underhållspersonal och andra som arbetar i närheten skall instrueras om typ av arbete som skall utföras. Arbete i slutna utrymmen skall undvikas. Området runt arbetsplatsen skall spärras. Se till att det inom området har säkrats genom att kontrollera om det finns brännbara material.

4) Kontrollera om det finns kylmedel i närheten.

Området skall kontrolleras med en lämplig detektor för kylmedel innan och under arbetet för att garantera att teknikern är medveten om potentiellt brännbar atmosfär. Se till att utrustning för läckagedetektering som använd är lämplig för användning med brännbara kylmedel, d.v.s. är icke-gnistbildande, adekvat förseglade eller i sig självt är säkra.

5) Att brandsläckningsutrustning finns i närheten.

Om någon värmebearbetning skall utföras på kylutrustningen eller någon tillhörande del skall lämplig brandsläckningsutrustning finnas tillgänglig. Ha brandsläckare med torrt pulver eller kolsyra i närheten av arbetsområdet.

6) Inga antändningskällor

Inga personer som utför arbete på kylsystem som involverar exponering av rör som innehåller eller har innehållit antändbart kylmedel skall inte använda någon form av antändningskällor på ett sådant sätt att det kan leda till risk för brand eller explosion. Alla tänkbara antändningskällor, inklusive cigarettökning, skall hållas tillräckligt långt från platsen för installationen, reparationen, borttagning och avyttring under vilka antändbart kylmedel kan komma ut i omgivningen. Innan arbete starta måste området runt utrustningen granskas för att vara säker på att det inte finns några risker för brand eller antändning. Skylten "Rökning förbjuden" skall visas.

7) Ventilerat område

Se till att området är öppet eller att det är tillräckligt ventilerat innan systemet öppnas eller heta arbeten utförs. En viss ventilation skall finnas under tiden som arbetet utförs. Ventilationen skall på ett säkert sätt ventilera bort allt frisläppt kylmedel och helst släppa ut det i atmosfären.

8) Kontroll av kylutrustningen

När elektriska komponenter byts ut skall de passa för dess syfte och har korrekt specifikation. Tillverkarens underhålls- och serviceriktlinjer skall alltid följas. Vid tveksamheter, rådfråga tillverkarens tekniska avdelning för hjälp.

Följande kontroller skall gälla för installationer med antändningsbara kylmedel:

- Laddningsstorleken är i enlighet med rumsstorleken där kylanläggningens delar är installerad;
- Ventilationsmaskineriet och utlopp fungerar korrekt och inte är hindrade;
- Om en indirekt kylkrets används skall den andra kretsen kontrolleras om den innehåller kylmedel;
- Markeringar på utrustningen skall fortsätta vara synlig och läslig. Markeringar och skyltar som är läsliga skall vara korrekta;
- Kylrör eller komponenter är installerade i en position där de inte kan utsättas för några substanser som kan fräta på kylanläggningars komponenter, såvida inte komponenterna består av material som i sig är motståndskraftiga mot frätning eller är lämpligt skyddade mot frätning.

9) Kontroll av elektriska enheter

Reparationer och underhåll av elektriska komponenter skall inkludera initial säkerhetskontroll och inspektion av komponenter. Om det finns ett fel som påverkar säkerheten skall ingen elektrisk anslutning göra till enheten innan felet hanterats på ett tillfredsställande sätt. Om felet inte kan korrigeras men det är nödvändigt att fortsätta driften skall en adekvat temporär lösning användas. Detta skall rapporteras till ägaren av utrustningen så att alla parter är informerade. Initiala säkerhetskontroller skall inkludera:

- Att kondensatorer är urladdade: detta skall göras på ett säkert sätt för att undvika eventuell gnistbildning;
- Att det inte finns några strömförande elektriska komponenter och ledningar exponerade för laddning, återvinning eller avluftning av systemet;
- Att det inte finns någon kontinuitet av jordbindning.

2. Reparation av gastäta komponenter

- 1) Under reparation av gastäta komponenter skall alla elektriska anslutningar vara fränkopplade från utrustningen som arbetas med innan några förseglade luckor tas bort etc. Om det är absolut nödvändigt att ha strömanslutning till utrustningen under servicen skall en permanent fungerar form av läckagedetektering vara placerad vid den mest kritiska punkten för att varna för en potentiellt farlig situation.
- 2) Särskild uppmärksamhet skall riktas på följande för att garantera att vid arbete med elektriska komponenter skall höljen inte ändras på ett sådant sätt att skyddsnivån påverkas. Detta skall inkludera skador på kablar, överdrivet antal anslutningar, terminaler som inte skapats enligt ursprungsspecifikationer, skador på förseglingar, felaktig fastsättning av packningsringar etc.

Se till att apparaten är monterade säkert. Se till att gastätningar eller tätningsmaterial inte har slitits så att de inte längre fyller sitt syfte med att förhindra åtkomst till brännbar atmosfär. Byte av delar skall ske i enlighet med tillverkarens specifikationer.

NOTERA: Användning av silikontätningsmedel kan hämma effektiviteten mot vissa typer av utrustningar för läckagedetektering. Verkligt säkra komponenter behöver inte isoleras innan arbete utförs på dem.

3. Reparation av verkligt säkra komponenter

Använd inga permanent induktiva eller kapacitansbelastningar till kretsen utan att se till att det inte överskrider tillåtna spänningen och strömmen som är tillåtet för utrustningen som används. Verkligt säkra komponenter är de endast typerna som kan arbeta på strömförande vid närvaro av antändbar atmosfär. Testapparaten skall ha korrekt märkdata. Byt endast komponenter mot delar som specificerats av tillverkaren. Andra delar kan resultera i antändning av kylmedel i atmosfären från en läcka.

4. Kablar

Kontrollera att kablarna inte utsätts för slitage, överdrivet tryck, vibrationer, vassa kanter eller andra skadliga miljöeffekter. Kontrollen skall också ta med effekterna av åldrande eller kontinuerliga vibrationer från källor såsom kompressorer eller fläktar.

5. Detektering av brandfarliga kylmedel

Under inga omständigheter skall potentiella källor för antändning användas för att söka efter eller för att detektera kylmedelsläckage. En läcksökningslampa (eller någon annan detektor som använder en öppen låga) skall inte användas.

6. Metoder för läckagedetektering

Följande metoder för läckagedetektering bedöms acceptabla för system som innehåller antändbara kylmedel. Elektroniska läckagedetektorer skall användas för att detektera antändningsbara kylmedel, men känsligheten kanske inte är adekvat eller kan behöva återkalibreras. (Detekteringsutrustning skall kalibreras i ett

kylmedelsfritt område.) Se till att detektorn inte är en potentiell källa för antändning och att den är lämplig för kylmedlet som används. Utrustning för läckagedetektering skall ställas in på ett procenttal av LFL för kylmedlet och skall kalibreras till kylmedlet som används om det ungefärliga procenttalet för gas (25 % maximalt) är bekräftat. Läckagedetektering av vätskor är lämplig att användas med de flesta kylmedel men användning av kylmedel som innehåller klor skall undvikas eftersom klor kan reagera med kylmedlet och fräta på kopparrören. Om det misstänks finnas en läcka skall alla öppna lågor tas bort/släckas. Om ett läckage av kylmedel hittas som kräver hårdlödning skall allt kylmedel tömmas från systemet eller isoleras (med hjälp av avstängningsventiler) i en del av systemet fjärran från läckaget. Syrefritt kvävgas (Oxygen free nitrogen/OFN) skall sedan rena systemet både innan och under hårdlödningsprocessen.

7. Borttagning och evakuering

När man tar sig in i kylsystemkretsen för reparation - eller för något annat syfte - skall konventionella procedurer användas. Emellertid är det viktigt att bästa praxis följs eftersom antändligheten bör beaktas. Följande procedurer skall följas:

- Ta bort kylmedel;
- Rena kretsen med inaktiv gas;
- Evakuera;
- Rengör igen med inaktiv gas;
- Öppna kretsen genom skärning eller hårdlödning.

Kylmedlet skall återvinnas i korrekta återvinningsbehållare. Systemet skall "sköljas" med OFN för att göra enheten säker. Denna process kan behöva upprepas flera gånger. Tryckluft eller syre skall inte användas för denna uppgift. Sköljning skall uppnås genom att bryta vakuumet i systemet med OFN och fortsätta att fylla på tills arbetstrycket uppnåtts, sedan ventileras ut i atmosfären och slutligen dra ned till ett vakuum. Denna process skall upprepas tills inget kylmedel finns kvar i systemet. När den slutliga OFN laddningen använd skall systemet ventileras ned till atmosfärstryck för att möjliggöra att arbetet kan ske. Detta arbete är absolut livsnödvändigt om hårdlödningsarbete ska kunna ske på rörarbetet. Se till att utloppet för vakuumpumpen inte är nära några antändningskällor och att det finns ventilation tillgänglig.

8. Laddningsprocedur

Förutom konventionella laddningsprocedurer skall följande krav följas.

- Se till att kontaminering av olika kylmedel inte uppstår när laddningsutrustningen används. Slangar och ledningar skall vara så korta som möjligt för att minimera mängden kylmedel i dessa.
- Cylindrar skall hållas upprätt.
- Se till att kylmedelssystemet är jordat innan systemet laddas med kylmedel.
- Märk systemet när laddningen är klar (om det inte redan är gjort).
- Extrem försiktighet gäller så att kylsystemet inte överfylls.

Innan laddningen av systemet skall det provtryckas med OFN. Systemet skall läckagetestas när laddningen är klar men innan driftsättning. Ett efterföljande läckagetest skall utföras innan anläggningen lämnas.

9. Stängning

Innan denna procedur utförs är det väsentligt att teknikern är fullständigt förtrogen med utrustningen och alla dess detaljer. Det rekommenderas att god praxis är att alla kylmedel återvinns på ett säkert sätt. Innan uppgiften utförs skall ett olje- och kylmedelsprov tas om en analys krävs innan det återvunna kylmedlet återanvänds. Det är väsentligt att den elektriska strömmen finns tillgänglig innan uppgiften startar.

- a) Bli förtrogen med utrustningen och dess hantering.
- b) Isolera systemet elektriskt.
- c) Innan proceduren startas, se till att:
 - Mekaniskt hanterad utrustning finns tillgänglig, om den krävs för hantering av kylmedelscylindrarna;

- All personals skyddsutrustning finns tillgänglig och används korrekt;
 - Återvinningsprocessen övervakas hela tiden av en kompetent person;
 - Återvinningsutrustning och cylindrar uppfyller lämplig standard.
- d) Pumpa ned kylsystemet om möjligt.
- e) Om vakuum inte är möjligt, gör ett samlingsrör så att kylmedel kan tas bort från olika delar av systemet.
- f) Se till att cylindrarna är placerad på skalan innan återvinning sker.
- g) Starta återvinningsmaskinen och arbeta in enlighet med tillverkarens instruktioner.
- h) Överfyll inte cylindrarna. (Inte mer än 80 % volym vätskeladdning).
- i) Överskrid inte maximalt arbetstryck hos cylindern, inte ens temporärt.
- j) När alla cylindrar har fyllts korrekt och processen är klar, se till att cylindrarna och utrustningen tas bort från anläggningen omedelbart och att alla isoleringsventiler är stängda.
- k) Återvunnet kylmedel skall inte laddas i ett annat kylsystem såvida inte det har rengjort och kontrollerats.

10. Märkning

Utrustning skall märkas där det fastslås att den har avbrutits och tömts på kylmedel. Märkningen skall vara daterad och undertecknad. Se till att det finns märkning på utrustningen som fastställer att utrustningen innehåller antändbart kylmedel.

11. Återvinning

När kylmedel tas bort från ett system, antingen för service eller stängning rekommenderas god praxis att allt kylmedel tas bort på ett säkert sätt. Vid överföring av kylmedel till cylindrar, se till att endast lämpligt antal återvinningscylindrar för kylmedel används. Se till att tillräckligt antal cylindrar som klarar av att hålla hela systemets laddning finns tillgängliga. Alla cylindrar som skall användas är avsedda för det återvunna kylmedlet och märkt för det kylmedlet (d.v.s specialcylindrar för det återvunna kylmedlet). Cylindrar skall vara kompletta med tryckventiler och associerade avstängningsventiler som fungerar. Tomma återvinningscylindrar är tömda och, om möjligt, kyllda innan återvinningen sker. Återvinningsutrustningen skall fungera bra och ha en uppsättning med instruktioner beträffande utrustningen som används och skall vara lämplig för återvinning av brandfarliga kylmedel. Dessutom skall en uppsättning med vågar finnas tillgängliga och fungera. Slangar skall vara kompletta med läckagefria kopplingar och i god kondition. Innan återvinningsmaskinen används, kontrollera att den fungerar på ett tillfredsställande sätt, har underhållits korrekt och att alla associerade elektriska komponenter är förseglade för att förhindra antändning om kylmedel skulle läcka ut. Rådfråga tillverkaren vid tveksamheter. Det återvunna kylmedlet skall återlämnas till leverantören av kylmedlet i korrekt återvinningscylinder och relevant ordnad Waste Transfer Note (överföringsanteckning om avfall). Blanda inte kylmedel i återvinningsenheter och särskilt inte i cylindrar. Om kompressorer eller kompressorolja skall tas bort, se till att de har tömts till en acceptabel nivå för att vara säkra på att vissa brandfarliga kylmedel inte blir kvar i smörjmedlet. Tömningsprocessen skall utföras innan kompressorn returneras till leverantören. Endast elektrisk värme till kompressorn skall användas för att accelerera denna process. När oljan töms från ett system skall detta utföras på ett säkert sätt.

Kompetens hos servicepersonal

Allmänt

Specialutbildning förutom vanlig utbildning reparationsprocedurer av kylmedelsutrustning krävs när utrustning med brandfarligt kylmedel är involverat.

I många länder utförs denna utbildning av nationella utbildningsorganisationer som är ackrediterade att utbilda relevant nationell kompetensstandard som kan fastställas i lagstiftningen.

Den uppnådda kompetensen skall kunna dokumenteras med ett certifikat.

Utbildning

Utbildningen skall innehålla följande:

Information om explosionspotential för brandfarliga kylmedel för att fisa att brandfarligheten kan vara farlig när de hanteras ovarsamt.

Information om potentiella antändningskällor som inte är självklara, såsom tändare, ljusomkopplare, dammsugare, elektriska värmare.

Information om olika säkerhetskoncept:

Oventilerat – Säkerheten hos apparaten beror inte på ventilationen i höljet. Stänga av apparaten eller öppna höljet har ingen signifikant påverkan på säkerheten. Inte desto mindre är det möjligt att läckande kylmedel kan ackumuleras på insidan och brännbar atmosfär kommer att släppas ut när höljet öppnas.

Ventilerat hölje – Säkerheten hos apparaten beror på ventilationen i höljet. Stänga av apparaten eller öppna höljet har signifikant påverkan på säkerheten. Försiktighet gäller för att garantera att det finns tillräckligt ventilation.

Ventilerat rum – Säkerheten hos apparaten beror på ventilationen i rummet. Stänga av apparaten eller öppna höljet har ingen signifikant påverkan på säkerheten. Ventilationen i rummet skall inte stängas av under reparationsproceduren.

Information om konceptet med förseglade komponenter och förseglade inkapslingar i enlighet med IEC 60079-15:2010.

Information om korrekt arbetsprocedurer:

a) Igångsättning

- Se till att golvområdet är tillräckligt för kylmedelsladdning eller att ventilationsslangen är monterad på korrekt sätt.
- Anslut rören och gör ett läckagetest innan laddning med kylmedel.
- Kontrollera säkerhetsutrustningen innan enheten tas i bruk.

b) Underhåll

- Portabel utrustning skall repareras ute eller i en verkstad som är särskilt utrustad för service av enheter med brandfarliga kylmedel.
- Se till att det finns tillräcklig ventilation på reparationsplatsen.
- Var medveten om att funktionsfel hos utrustningen kan vara orsakade av förlust av kylmedel och en kylmedelsläcka kan vara möjlig.
- Ladda ur kondensatorer på ett sätt så att gnistor inte bildas. Standardproceduren för att kortsluta kondensatorers terminaler skapar vanligtvis gnistor.
- Återmontera förseglade områden korrekt. Om packningarna är slitna, byt.
- Kontrollera säkerhetsutrustningen innan enheten tas i bruk.

c) Reparation

- Portabel utrustning skall repareras ute eller i en verkstad som är särskilt utrustad för service av enheter med brandfarliga kylmedel.
- Se till att det finns tillräcklig ventilation på reparationsplatsen.
- Var medveten om att funktionsfel hos utrustningen kan vara orsakade av förlust av kylmedel och en kylmedelsläcka kan vara möjlig.
- Ladda ur kondensatorer på ett sätt så att gnistor inte bildas.
- När hårdlödning krävs skall följande procedurer utföras i rätt ordning:
 - Ta bort kylmedlet. Om återvinning inte krävs av nationella bestämmelser, töm ut kylmedlet ute. Se till att det uttömnda kylmedlet inte utgör någon fara. Vid tveksamheter skall en person skydda utloppet. Var särskilt försiktigt så att det uttömnda kylmedlet inte flyter tillbaka in i byggnaden.
 - Töm kylmedelskretsen.
 - Rensa kylmedelskretsen med nitrogen i fem minuter.
 - Töm igen.
 - Ta bort delar som skall bytas ut genom skärning, inte med lågor.
 - Rensa hårdlödningspunkten med nitrogen under hårdlödningsproceduren.
 - Gör ett läckagetest innan laddning med kylmedel.
- Återmontera förseglade områden korrekt. Om packningarna är slitna, byt.
- Kontrollera säkerhetsutrustningen innan enheten tas i bruk.

d) Stängning

- Om säkerheten påverkas när utrustningen tas ur drift, skall kylmedelsladdningen tas bort innan stängning.
- Se till att det finns tillräcklig ventilation på utrustningsplatsen.
- Var medveten om att funktionsfel hos utrustningen kan vara orsakade av förlust av kylmedel och en kylmedelsläcka kan vara möjlig.
- Ladda ur kondensatorer på ett sätt så att gnistor inte bildas.
- Ta bort kylmedlet. Om återvinning inte krävs av nationella bestämmelser, töm ut kylmedlet ute. Se till att det uttömda kylmedlet inte utgör någon fara. Vid tveksamheter skall en person skydda utloppet. Var särskilt försiktigt så att det uttömda kylmedlet inte flyter tillbaka in i byggnaden.
- Töm kylmedelskretsen.
- Rensa kylmedelskretsen med nitrogen i fem minuter.
- Töm igen.
- Fyll på med nitrogen upp till atmosfäriskt tryck.
- Markera på utrustningen att kylmedlet har tagits bort.

e) Avyttring

- Se till att det finns tillräcklig ventilation på arbetsplatsen.
- Ta bort kylmedlet. Om återvinning inte krävs av nationella bestämmelser, töm ut kylmedlet ute. Se till att det uttömda kylmedlet inte utgör någon fara. Vid tveksamheter skall en person skydda utloppet. Var särskilt försiktigt så att det uttömda kylmedlet inte flyter tillbaka in i byggnaden.
- Töm kylmedelskretsen.
- Rensa kylmedelskretsen med nitrogen i fem minuter.
- Töm igen.
- Ta bort kompressorn och töm ut oljan.

Transport, märkning och förvaring av enheter som använder brandfarliga kylmedel

Transport av utrustning som innehåller brandfarliga kylmedel

Uppmärksamma att det kan finnas ytterligare transportbestämmelser med tanke på att utrustningen innehåller brännbara gaser. Maximalt antal delar av utrustningen eller konfiguration av utrustningen som tillåts att transporteras tillsammans avgörs av de tillämpliga transportbestämmelserna.

Märkning av utrustningen med skyltar

Skyltar för liknande apparater som används i arbetsområden styrs av lokala bestämmelser och ger minimikraven för ombesörjande av säkerheten och/eller hälsoskyltar för arbetsplatsen.

Alla skyltar som krävs skall bibehållas och anställda skall se till att anställda får lämpliga och tillräckliga instruktioner och utbildning i betydelsen av lämpliga säkerhetsskyltar och att åtgärder skall vidtas i anslutning till dessa skyltar.

Effektiviteten hos skyltarna skall inte döljas av att alltför många skyltar placeras tillsammans.

Alla piktogram som används skall vara så enkla som möjligt och endast innehålla väsentliga detaljer.

Avyttring av utrustning som innehåller brandfarliga kylmedel

Se nationella bestämmelser.

Förvaring av utrustning/apparater

Förvaring av utrustningen skall ske i enlighet med tillverkarens instruktioner.

Förvaring av förpackad (osåld) utrustning

Den förpackningens skydd skall vara konstruerat så att mekaniska skador på utrustningen inuti förpackningen inte orsakar läckage av kylmedelsladdningen.

Maximalt antal delar utrustningen som tillåts att förvaras tillsammans avgörs av lokala bestämmelser.

VEILIGHEIDSVOORSCHRIFTEN

Voor gebruik dient u alle onderstaande instructies te lezen om letsel en schade te voorkomen en om de beste resultaten met het apparaat te bereiken. Bewaar deze handleiding op een veilige plek. Mocht u dit apparaat aan iemand anders overhandigen, dient u ook de gebruiksaanwijzing te overhandigen.

In geval van schade die wordt veroorzaakt doordat de gebruiker de instructies in deze gebruiksaanwijzing niet in acht heeft genomen, komt de garantie te vervallen. De fabrikant/importeur is niet aansprakelijk voor schade die wordt veroorzaakt door het niet in acht nemen van de gebruiksaanwijzing, door nalatig gebruik of gebruik dat niet in overeenstemming is met de bepalingen van deze gebruiksaanwijzing.

1. Lees en bewaar deze gebruiksaanwijzing. Opgelet: de afbeeldingen in de gebruiksaanwijzing zijn louter indicatief.
2. Dit toestel mag gebruikt worden door kinderen vanaf de leeftijd van 8 jaar en door personen met verminderde fysieke, zintuiglijke of mentale capaciteiten of met gebrek aan ervaring of kennis, indien zij onder het toezicht staan of gebruiksinstructies voor het veilig gebruik van dit toestel gekregen hebben en de mogelijke gevaren begrijpen.
3. Kinderen mogen niet met dit toestel spelen.
4. Kinderen die niet onder toezicht staan, mogen dit apparaat niet reinigen of onderhouden.
5. Als het stroomsnoer beschadigd is, dan moet het vervangen worden door de fabrikant, diens dealer of een gekwalificeerde technicus om risico's te voorkomen.
6. Dit apparaat is uitsluitend bestemd voor binnenshuis gebruik.
7. Gebruik het toestel niet in de buurt van een vuurbron, in een zone waar olie kan opspatten, stel het niet bloot aan direct zonlicht en plaats het niet in een zone waar water kan opspatten, zoals in de buurt van een badkuip, douche of een zwembad, of in een wasruimte.

8. Steek nooit uw vingers of een stang in de luchtinlaat. Licht kinderen altijd over deze gevaren in.
9. Houd het toestel rechtop tijdens transport en opslag zodat de compressor niet wordt beschadigd.
10. Voordat u het toestel reinigt of verplaatst, schakel het altijd uit en haal de stekker uit het stopcontact.
11. Om brandgevaar te vermijden, dek het toestel nooit af.
12. Zorg dat het gebruikte stopcontact in overeenstemming is met de lokale voorschriften inzake elektrische veiligheid. Indien nodig, raadpleeg de voorschriften.
13. Installeer het apparaat in overeenstemming met de nationale bedradingsvoorschriften.
14. Details over het type en de waarde van de zekeringen: T, 250V AC, 2A of 3,15A.
15. Neem contact op met een bekwame onderhoudstechnicus om dit toestel te repareren of te onderhouden.
16. Niet aan het snoer trekken, het vervormen of aanpassen, of het in water dompelen. Aan het snoer trekken of het verkeerd gebruiken kan schade aan het apparaat en een elektrische schok veroorzaken.
17. Leef de nationale gasverordeningen altijd na.
18. Reparaties mogen alleen worden uitgevoerd zoals aanbevolen door de fabrikant van het apparaat. Onderhoud en reparatie die de hulp van ander opgeleid personeel vereisen, moeten worden uitgevoerd onder het toezicht van een persoon die weet hoe brandbare koudemiddelen te gebruiken.
19. Start of stop het toestel niet door de stekker in het stopcontact te steken of eruit te trekken. Het kan een elektrische schok of brand veroorzaken als gevolg van de overmatige generatie van hitte.
20. Haal de stekker uit het stopcontact als u een ongewoon geluid, geur of rook waarneemt.
21. Sluit dit apparaat altijd aan op een geaard stopcontact.
22. Als het toestel beschadigd is, schakel het toestel uit, haal de stekker uit het stopcontact en neem contact op met een erkend servicecentrum voor reparatie.

23. Gebruik geen middelen die het ontdooiproces versnellen of reinigingsmiddelen, tenzij deze die door de fabrikant zijn aanbevolen.
24. Berg het apparaat op in een ruimte zonder continu werkende ontstekingsbronnen (bijv. een open vlam, ingeschakeld gastoestel of een ingeschakeld elektrisch verwarmingstoestel).
25. Niet doorboren of verbranden.
26. Opgelet, bepaalde koudemiddelen zijn geurloos.
27. Dit apparaat bevat het koudemiddel R290. R290 is een koelgas dat in overeenstemming is met de Europese milieuriichtlijnen. Doorboor geen enkel deel van het koelcircuit.
28. Als het apparaat wordt geïnstalleerd, bediend of bewaard in een ruimte zonder ventilatie, moet de ruimte aldus zijn ingericht dat de ophoping van koudemiddel door een lek wordt vermeden. Dit kan leiden tot brand- of explosiegevaar door het ontsteken van het koudemiddel door een elektrisch verwarmingstoestel, fornuis of andere ontstekingsbron.
29. Bewaar het apparaat op een dergelijke wijze zodat mechanische storing wordt vermeden.
30. Personen die het koelcircuit bedienen of er aan werken, moeten in het bezit zijn van een gepast certificaat van een bevoegde organisatie, zodat deze personen bevoegd zijn om koudemiddelen op een veilige manier te behandelen overeenkomstig de specificaties die in de industrie van kracht zijn.
31. Reparaties mogen alleen worden uitgevoerd zoals aanbevolen door de fabrikant van het apparaat. Onderhoud en reparatie die de hulp van ander opgeleid personeel vereisen, moeten worden uitgevoerd onder het toezicht van een persoon die weet hoe brandbare koudemiddelen te gebruiken.
32. Laat het apparaat altijd minstens 2 uur met rust nadat het naar een andere ruimte is gebracht.
33. Voor instructies voor het repareren van apparaten die R290 bevatten, raadpleeg onderstaande paragrafen.



Waarschuwing: Brandgevaar / ontvlambare materialen.



Lees de gebruikershandleidingen.



Gebruiksaanwijzing; gebruiksinstructies.



Service-indicator; lees de technische handleiding.

Waarschuwing: Houd de ventilatieopeningen vrij.

Waarschuwing: Berg het apparaat op in een goed geventileerde ruimte waarbij de grootte van de kamer overeenstemt met het oppervlak dat is aangegeven.

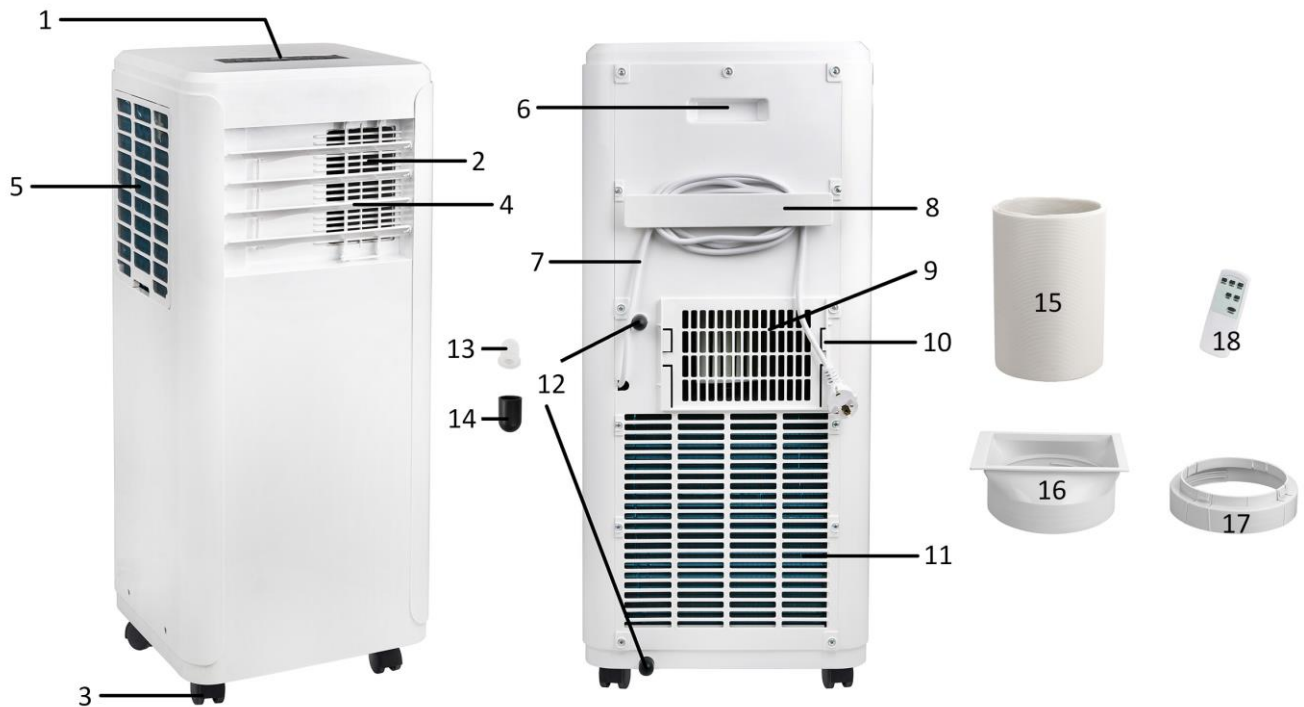
Alle werkzaamheden die een impact op de veiligheid kunnen hebben mogen alleen worden uitgevoerd door bevoegde personen.

De vrije ruimte rondom het toestel moet minstens 30 cm bedragen.

Installeer, gebruik en bewaar het apparaat in een ruimte met een vloeroppervlak van minstens X m².

MODEL	X (m ²)	Model
5000Btu/h,7000Btu/h, 8000Btu/h	4	-
9000Btu/h,10000Btu/h, 10500Btu/h	12	-
12000Btu/h,14000Btu/h, 16000Btu/h,18000Btu/h	15	PAC-127068.1

BESCHRIJVING VAN DE ONDERDELEN

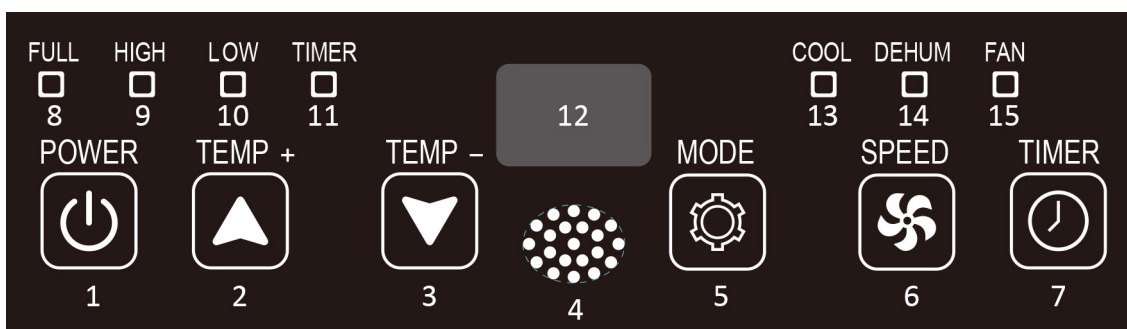


- | | |
|---|--|
| 1. Bedieningspaneel | 10. Beugel voor slangaansluitstuk (uiteinde voor airconditioner) |
| 2. Luchtuitlaat | 11. Luchtinlaat |
| 3. Wiel | 12. Afvoeropening |
| 4. Lamel om de op- en neerwaartse windrichting te regelen | 13. Rubber stop naar de afvoeropening |
| 5. LuchtfILTER | 14. Rubber balg |
| 6. Handvat | 15. Hete luchtuitlaatslang |
| 7. Snoer | 16. Slangaansluitstuk (uiteinde voor airconditioner) |
| 8. Snoeropslag | 17. Slangaansluitstuk (uiteinde voor raam) |
| 9. Hete luchtuitlaat | 18. Afstandsbediening |

Afstandsbediening

Dit apparaat is voorzien van een afstandsbediening. De afstandsbediening werkt op 2 x 1,5 AAA batterijen. De functies van de knoppen op de afstandsbediening zijn dezelfde als de knoppen op het bedieningspaneel.

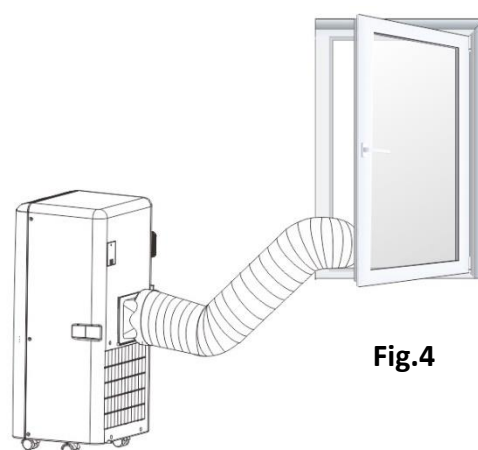
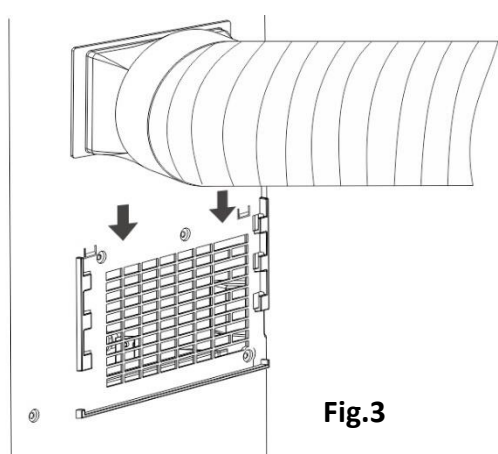
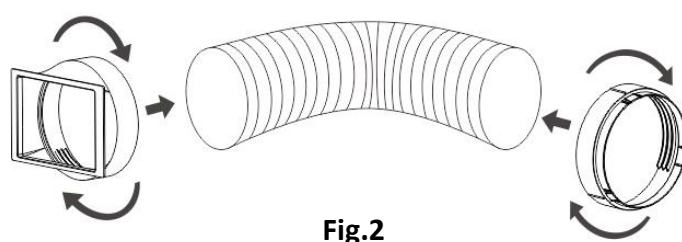
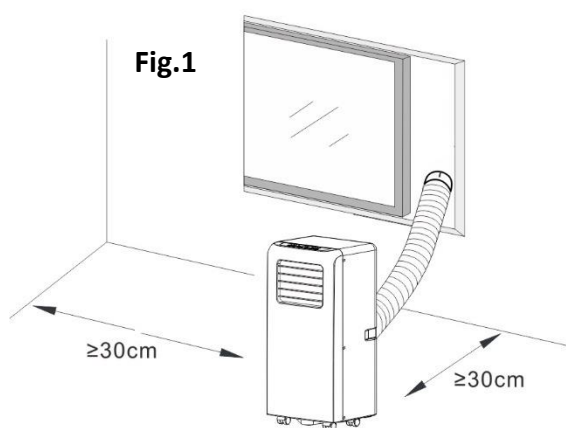
Bedieningspaneel



1. Power (aan/uit) knop
2. Temperatuur (timer) verhogen knop
3. Temperatuur (timer) verlagen knop
4. Signaalontvanger-venster voor afstandsbediening
5. Mode (Modus) knop
6. Speed (Windsnelheid) knop
7. Timer aan/uit knop
8. Water vol-controlelampje
9. Hoge snelheid-controlelampje
10. Lage snelheid-controlelampje
11. Timer-controlelampje
12. Digitaal scherm
13. Koelmodus-controlelampje
14. Ontvochtigingsmodus-controlelampje
15. Ventilatormodus-controlelampje

INSTALLATIE (De onderstaande foto's dienen als richtlijn om het apparaat te installeren. Het uiterlijk van het apparaat kan verschillen van het product dat u hebt gekocht).

- Installeer het toestel op een vlakke ondergrond waar de luchtuitlaat niet belemmerd kan worden. Zorg voor een vrije ruimte van minstens 30 cm rondom het toestel. **(Fig.1)**
- Installeer het toestel niet in een wasruimte.
- Draai beide slangaansluitstukken vast op de hete luchtuitlaatslang. **(Fig.2)**
- Steek het slangaansluitstuk (uiteinde voor airconditioner) in de beugels aan de achterkant van het toestel. **(Fig.3)**
- Breng het ander uiteinde van de uitlaatslang naar een vensterbank in de buurt. **(Fig.4)**



GEBRUIK

Laat het apparaat altijd minstens 2 uur met rust nadat het naar een andere ruimte is gebracht. Voor gebruik, controleer of de uitlaatslang juist is aangebracht. Steek de stekker in het stopcontact.

1. Power (aan/uit) knop

Druk op de "POWER" knop om het apparaat in te schakelen. Het apparaat werkt in de koelmodus op de lage windsnelheid. Druk opnieuw op de knop en het apparaat wordt uitgeschakeld.

2. **Temperatuur (timer) verhogen knop en Temperatuur (timer) verlagen knop**

Druk op de "TEMP+"/"TEMP-" knop om uw gewenste kamertemperatuur tussen 16°C en 31°C in te stellen. De knoppen kunnen tevens worden gebruikt om de timer tussen 1 en 24 uur in te stellen. De waarde wordt bij elke druk op de knop met 1 (°C / uur) verhoogd of verlaagd. Druk lang om de waarde snel te wijzigen.

Opmerking: Het apparaat schakelt de compressor (voor het koelen) automatisch uit zodra de kamer de ingestelde temperatuur heeft bereikt. De compressor wordt automatisch ingeschakeld wanneer de kamertemperatuur hoger dan de ingestelde temperatuur is. De interne ventilator werkt gedurende het volledig proces. Als de compressor in werking is, zal het toestel lichtjes trillen. Dit is normaal en is onschadelijk.

3. **Speed (Windsnelheid) knop**

Druk op de „SPEED“ knop om de windsnelheid op laag of hoog in te stellen. Het overeenkomstig "LOW"/"HIGH" controlelampje zal branden.

4. **Mode (Modus) knop**

Druk op de "MODE" knop om uw gewenste werkingsmodus in te stellen. U kunt kiezen uit koeling, ontvochtiging en ventilator.

- In de koelmodus, brandt het overeenkomstig "COOL" controlelampje. Druk op de "TEMP+"/"TEMP-" knop om uw gewenste kamertemperatuur in te stellen. Druk op de "SPEED" knop om uw gewenste windsnelheid in te stellen.
- In de ontvochtigingsmodus, brandt het overeenkomstig "DEHUM" controlelampje. Het apparaat stelt de werkingstemperatuur (2°C onder de huidige kamertemperatuur) automatisch in en de windsnelheid wordt op laag ingesteld. De temperatuur en windsnelheid kunnen niet handmatig worden aangepast.
- In de ventilatormodus, brandt het overeenkomstig "FAN" controlelampje. Druk op de „SPEED“ knop om de windsnelheid op laag of hoog in te stellen. Opmerking: In deze modus wordt de temperatuurfunctie niet gebruikt. Het digitaal scherm geeft een waarde weer, maar dit heeft geen enkele betekenis.

5. **Timer aan/uit knop**

Timer AAN instelling:

- Wanneer het apparaat is uitgeschakeld, druk op de „TIMER“ knop en het overeenkomstig „TIMER“ controlelampje brandt.
- Druk op de "TEMP+"/"TEMP-" om een gewenste inschakelingstijd tussen 1 en 24 uur te selecteren. De ingestelde inschakelingstijd knippert op het digitaal scherm. Druk opnieuw op de "TIMER" knop (wanneer het nog knippert) en de instelling wordt bevestigd.
- Het apparaat wordt automatisch ingeschakeld zodra de ingestelde inschakelingstijd is verstreken.

Timer UIT instelling

- Wanneer het apparaat is ingeschakeld, druk op de „TIMER“ knop en het overeenkomstig „TIMER“ controlelampje brandt.
- Druk op de "TEMP+"/"TEMP-" om een gewenste uitschakelingstijd tussen 1 en 24 uur te selecteren. De ingestelde uitschakelingstijd knippert op het digitaal scherm. Druk opnieuw op de "TIMER" knop (wanneer het nog knippert) en de instelling wordt bevestigd.
- Het apparaat wordt automatisch uitgeschakeld zodra de ingestelde uitschakelingstijd is verstreken.

Opmerking: Het digitaal scherm heeft na het instellen van de timer de afteltijd in aantal uren weer. Druk opnieuw op de „TIMER“ knop en de timerfunctie wordt geannuleerd.

OPMERKING: Het apparaat werkt bij inschakeling opnieuw op de vorige ingestelde modus zolang de stekker niet uit het stopcontact werd gehaald. Als de stekker uit het stopcontact werd gehaald, dan werkt het apparaat bij inschakeling in de koelmodus op de lage windsnelheid.

WAARSCHUWINGEN voor een werking in de koel- of ontvochtigingsmodus

- wanneer de koeling- of ontvochtigingsfunctie wordt gebruikt, wacht minstens 3 minuten tussen elke in- of uitschakeling.
- De netvoeding moet aan de voorschriften voldoen.
- De stekker is bestemd voor gebruik met wisselstroom.
- Sluit geen andere apparaten op hetzelfde stopcontact aan.
- De netvoeding is AC220-240V, 50Hz.

Alarm voor volle bak

Bij een normaal gebruik kan het toestel het condenswater automatisch verdampen en zal er weinig water in de interne waterbak opgeslagen worden.

Zodra het condenswater dat in het interne waterbak wordt opgeslagen een bepaalde hoogte bereikt, wordt er een alarm voor volle waterbak geactiveerd: het water vol-controlelampje brandt en het digitale scherm geeft ongeveer 5 minuten later de "E2" code weer.

Wanneer het alarm voor volle bak afgaat, voer het water in de waterbak af. Verwijder de rubber balg en vervolgens de rubber stop van de afvoeropening aan de onderkant van het toestel en laat het water uitstromen.

Continue afvoer

Een continue afvoer kan worden gebruikt om te vermijden dat het alarm voor volle bak afgaat. Gebruik hiervoor een afvoerslang. Sluit deze aan op de afvoeropening in het midden van het toestel en laat het water wegstromen in een emmer of afvoerputje. Het toestel zal op normale wijze werken.

- Als u denkt het apparaat langere tijd niet te gebruiken, gebruik dan beide afvoeropeningen om al het water af te voeren.
- Als het condenswater in de bak snel toeneemt en dit leidt tot het afgaan van het alarm voor volle bak, dan kan de motor in het apparaat beschadigd zijn. Neem in dit geval contact op met ons serviceafdeling via www.emerio.eu/service

REINIGING EN ONDERHOUD

- Haal de stekker uit het stopcontact voordat u het apparaat reinigt.
- Maak het apparaat niet schoon met benzine of een andere chemische stof.
- Dompel het apparaat niet onder.

Luchtfilter

Maak de luchtfilter om de twee weken schoon om verstopping door stof en vuil te vermijden.

- Trek de luchtfilter uit de onderkant om deze uit het apparaat te verwijderen
- Maak de luchtfilter schoon met een neutraal reinigingsmiddel in lauw water (40°C) en laat het in de schaduw drogen.
- Breng de luchtfilter opnieuw aan.

De buitenkant schoonmaken

Maak de buitenkant schoon met een neutraal reinigingsmiddel en een natte doek en voeg het vervolgens droog met een droge doek.

PROBLEEMOPLOSSING

Problemen	Mogelijke oorzaken	Oplossingen
Het apparaat werkt niet wanneer op de Power knop wordt gedrukt	Het water vol-controlelampje knippert en de waterbak is vol.	Verwijder de rubber stop om het water via de afvoeruitlaat af te voeren.
	De kamertemperatuur is lager dan de ingestelde temperatuur.	Stel de temperatuur opnieuw in.
Onvoldoende koud	De deuren of ramen zijn niet dicht.	Zorg dat alle ramen en deuren dicht zijn.
	Er bevindt zich een warmtebron in de kamer.	Indien mogelijk, verwijder de warmtebron.
	De hete luchtuitlaatslang is niet aangesloten of is verstopt.	Verbind of reinig de hete luchtuitlaatslang.
	Temperatuurinstelling is te hoog.	Stel de temperatuur opnieuw in.
	De luchtinlaat is verstopt.	Reinig de luchtinlaat.
Veel lawaai	De ondergrond is niet of onvoldoende vlak.	Plaats het apparaat op een vlakke ondergrond.
	Het lawaai komt door het stromen van het koudemiddel in het apparaat.	Dit is normaal.
E0 Code	Kamertemperatuursensor is defect.	Vervang de kamertemperatuursensor. Neem contact op met een vakbekwame technicus voor reparatie.
E1 Code	Temperatuursensor van condensator is defect.	Vervang de temperatuursensor van condensator. Neem contact op met een vakbekwame technicus voor reparatie.
E2 Code	Waterbak is vol tijdens het koelen.	Verwijder de rubber stop en voer het water af.
E3 Code	Temperatuursensor van verdamper is defect.	Vervang de temperatuursensor van verdamper. Neem contact op met een vakbekwame technicus voor reparatie.
Het apparaat stopt met koelen na een werkingstijd van 50 minuten.	Wanneer de omgevingstemperatuur daalt tot 21°C of lager gedurende 50 minuten tijdens de koelmodus, dan wordt het apparaat gedurende 5 minuten gestopt door het standaard programma.	Er is geen verdere actie vereist. Dit voorkomt het bevriezen van de interne koperen koelleidingen. De werking wordt na 5 minuten weer hervat en dit cyclusproces wordt continu herhaald.

TECHNISCHE GEGEVENS

Opmerking: Werkingstemperatuurbereik:

	Maximale koeling	Minimale koeling
Droge boltemperatuur / Natte boltemperatuur (°C)	35/24	18/12

Onderstaande gegevens zijn voor uw operationele referentie

Model	PAC-127068.1
Nominale spanning	220-240V
Nominale frequentie	50Hz
Nominale invoer	1345W
Nominale stroom	6.0A
Koelvermogen	3500W (12000Btu/h)
Vochtverwijdering (L/U)	1.2
Luchtstroom	320m ³ /h

ERP-INFORMATIE

	Waarde																
Handelsmerk	Emerio																
Identificatie van model	PAC-127068.1																
Geluidsvermogen (koeling)	≅ 65dB(A)																
Naam van koudemiddel	R290 (0.215kg)																
Nominaal opgenomen vermogen voor koeling (kW)	1.345																
Nominale energie-efficiëntieverhouding	2.6																
GWP (kgCO ₂ eq)	3																
Energie-efficiëntieklasse	A																
Energieverbruik voor apparaten met twee leidingen (kWh/h)	n.v.t.																
Energieverbruik voor apparaten met één leiding (kWh/h)	1.345																
Stroomverbruik in thermostaat uit-modus (W)	n.v.t.																
Stroomverbruik in stand-bymodus (W)	0.5W																
Koelvermogen	3500W																
<p>Het lekken van koudemiddel draagt bij tot klimaatverandering. Koudemiddel van een lager aardopwarmingspotentieel (GWP) draagt in mindere mate bij tot de opwarming van de aarde dan een koudemiddel met een hogere GWP wanneer deze in de atmosfeer terechtkomt. Dit apparaat bevat een koudemiddel met een GWP van 3. Dit betekent dat als 1 kg van dit koudemiddel in de atmosfeer zou terechtkomen, de impact op de opwarming van de aarde 3 keren groter zou zijn dan 1 kg CO₂, over een periode van 100 jaar. Pas het koelcircuit nooit zelf aan of haal het product niet zelf uit elkaar, laat dit altijd aan een deskundige over.</p> <p>#Energieverbruik 1.345 kWh voor model PAC-127068.1 in 60 minuten van gebruik in standaard testomstandigheden. Het werkelijk energieverbruik is afhankelijk van de gebruikswijze van het apparaat en waar het is geplaatst.</p> <p>Voor meer informatie kunt u contact opnemen met:</p> <table border="0"> <tr> <td>Emerio B.V.</td> <td>Customer service:</td> <td>Kundeninformation:</td> <td>Klantenservice:</td> </tr> <tr> <td>Oudeweg 115</td> <td>T: +31 (0) 23 3034369</td> <td>T: +49 (0) 3222 1097 600</td> <td>T: +31 (0) 23 3034369</td> </tr> <tr> <td>2031 CC Haarlem</td> <td>www.emerio.eu/service</td> <td>www.emerio.eu/service</td> <td>www.emerio.eu/service</td> </tr> <tr> <td>The Netherlands</td> <td></td> <td></td> <td></td> </tr> </table>		Emerio B.V.	Customer service:	Kundeninformation:	Klantenservice:	Oudeweg 115	T: +31 (0) 23 3034369	T: +49 (0) 3222 1097 600	T: +31 (0) 23 3034369	2031 CC Haarlem	www.emerio.eu/service	www.emerio.eu/service	www.emerio.eu/service	The Netherlands			
Emerio B.V.	Customer service:	Kundeninformation:	Klantenservice:														
Oudeweg 115	T: +31 (0) 23 3034369	T: +49 (0) 3222 1097 600	T: +31 (0) 23 3034369														
2031 CC Haarlem	www.emerio.eu/service	www.emerio.eu/service	www.emerio.eu/service														
The Netherlands																	

GARANTIE EN KLANTENSERVICE

Vóór de levering worden onze apparaten streng gecontroleerd. Indien het toestel ondanks alle zorg bij de productie of tijdens het transport beschadigd werd, moet u het naar de handelaar terugbrengen. Naast het wettelijke recht op waarborg heeft de klant recht op de volgende garantieclaim:

Wij geven een garantie van 2 jaar op het toestel, te beginnen met de koopdatum. Indien u een defect product heeft, kunt u rechtstreeks terug gaan naar het aankooppunt.

Gebreken die het gevolg zijn van ondeskundig gebruik van het toestel, fouten tijdens ingrepen en reparaties door derden of door de inbouw van vreemde onderdelen, vallen niet onder deze garantie. Bewaar altijd uw aankoopnota, zonder aankoopnota kunt u geen aanspraak maken op enige vorm van garantie. Bij schade veroorzaakt door het niet opvolgen van de gebruiksaanwijzing vervalt het recht op garantie. Voor vervolgschade die hieruit ontstaat kunnen wij niet verantwoordelijk gehouden worden. Voor materiële schade of persoonlijk letsel veroorzaakt door ondeskundig gebruik of het niet opvolgen van de veiligheidsvoorschriften zijn wij niet aansprakelijk. In dergelijke gevallen vervalt iedere aanspraak op garantie. Schade aan accessoires of onderdelen betekend niet dat het gehele apparaat zal worden vervangen. Afgebroken glazen of kunststof onderdelen of accessoires vallen niet onder de garantie en zullen tegen vergoeding vervangen kunnen worden. Defecten aan hulpstukken of aan slijtage onderhevige onderdelen, alsmede reiniging, onderhoud of de vervanging van slijtende delen vallen niet onder de garantie en zullen dus in rekening gebracht worden.

MILIEUVRIENDELIJKE AFVALVERWERKING



Recycling – Europese Richtlijn 2012/19/EU

Deze markering betekent dat dit product niet samen met ander huishoudelijk afval mag worden afgedankt. Om het milieu en de volksgezondheid niet in gevaar te brengen en het hergebruik van grondstoffen te bevorderen, moet dit product op verantwoorde wijze worden afgevoerd. Lever verbruikte apparatuur a.u.b. in bij de hiervoor bestemde inzamelpunten of bij de winkel waar het product was aangeschaft. Zij zullen dit product accepteren voor milieuvriendelijke afvalverwerking.



RECYCLE OF GOOI DE BATTERIJ OP EEN JUISTE MANIER WEG. NIET OPENEN. NIET IN VUUR

GOOIEN OF KORTSLUITEN.

Emerio B.V.
Oudeweg 115
2031 CC Haarlem
The Netherlands

Customer service:
T: +31 (0) 23 3034369
www.emerio.eu/service

Kundeninformation:
T: +49 (0) 3222 1097 600
www.emerio.eu/service

Klantenservice:
T: +31 (0) 23 3034369
www.emerio.eu/service

Looking for spare parts? Have a look at www.spareparts.emerio.eu

Sie brauchen Ersatzteile? Besuchen Sie www.ersatzteile.emerio.eu

Onderdelen nodig? Kijk op www.onderdelen.emerio.eu

INSTRUCTIES VOOR HET REPAREREN VAN APPARATEN DIE R290 BEVATTEN

1. Reparaties

1) Controle van de bedrijfsruimte

Voordat er kan worden gewerkt aan systemen die ontvlambare koudemiddelen bevatten, moeten er veiligheidscontroles worden uitgevoerd om het risico op ontsteking tot een minimum te beperken. De volgende voorzorgsmaatregelen dienen in acht te worden genomen voordat er reparaties aan het koelsysteem kunnen worden uitgevoerd.

2) Werkprocedure

De werkzaamheden moeten volgens een gecontroleerde procedure worden uitgevoerd om het risico op de aanwezigheid van een ontvlambaar gas of een ontvlambare damp tijdens de werkzaamheden tot een minimum te beperken.

3) Algemene werkomgeving

Al het onderhoudspersoneel en alle overige personen in de werkomgeving moeten worden geïnformeerd over de aard van de werkzaamheden die worden uitgevoerd. Werkzaamheden in besloten ruimtes moeten worden voorkomen. Het gebied rond de werkomgeving moet worden afgesloten. Zorg ervoor dat er veilig in de werkomgeving kan worden gewerkt door het te controleren op de aanwezigheid van ontvlambare stoffen.

4) Controleren op de aanwezigheid van koudemiddel

De omgeving moet voor en tijdens de werkzaamheden worden gecontroleerd met een gepaste koudemiddeldetector, zodat de technicus weet of er ontvlambare stoffen aanwezig zijn. Zorg ervoor dat de apparatuur voor lekdetectie geschikt is voor detectie van ontvlambare koudemiddelen, d.w.z. geen vonken afgeeft, goed is afgedicht en intrinsiek veilig is.

5) Aanwezigheid van een brandblusser

Als er hete werkzaamheden aan de koelapparatuur of bijbehorende onderdelen moeten worden verricht, moet er geschikte blusapparatuur aanwezig zijn. Zorg dat er een CO₂- of poederblusser in de buurt van de werkomgeving aanwezig is.

6) Geen ontstekingsbronnen

Geen enkele persoon die aan een koelsysteem werkzaamheden verricht waarbij leidingen worden blootgelegd die ontvlambaar koudemiddel bevatten of hebben bevat, mag ontstekingsbronnen op zo'n manier gebruiken dat deze een brand- of explosiegevaar vormt. Alle mogelijke ontstekingsbronnen, waaronder brandende sigaretten, moeten uit de buurt van de ruimte waar het apparaat wordt geïnstalleerd, gerepareerd, verwijderd of afgedankt worden gehouden aangezien ontvlambaar koudemiddel vrij kan komen. Vóór het begin van de werkzaamheden moet het gebied rond de apparatuur worden gecontroleerd op de aanwezigheid van ontbrandingsgevaaren en ontstekingsrisico's. Er moeten borden worden geplaatst met de tekst "Niet roken".

7) Geventileerde omgeving

Zorg ervoor dat de werkomgeving in de buitenlucht is of voldoende wordt geventileerd, voordat het systeem wordt geopend of hete werkzaamheden worden verricht. Tijdens de werkzaamheden moet er voortdurend ventilatie zijn. De ventilatie moet ervoor zorgen dat vrijgekomen koudemiddel wordt verspreid en bij voorkeur wordt afgegeven naar de buitenlucht.

8) Controle van de koelapparatuur

Bij het vervangen van elektrische componenten moeten componenten worden gebruikt die geschikt zijn voor het doel en die de juiste specificaties hebben. Volg altijd de onderhouds- en reparatierichtlijnen van de fabrikant. In geval van twijfel, neem contact op met de technische dienst van de fabrikant.

Voer de volgende controles uit op installaties die brandbaar koudemiddel gebruiken:

- De hoeveelheid koudemiddel moet in overeenstemming zijn met de omvang van de ruimte waarin de apparatuur met koudemiddel wordt geplaatst;
- De ventilatieapparatuur en -uitlaten werken naar behoren en worden niet geblokkeerd;
- Als een indirect koelcircuit wordt gebruikt, controleer het secundaire circuit op de aanwezigheid van koudemiddel;

- De markering op het apparaat moeten goed zichtbaar en leesbaar zijn. Markeringen en tekens die niet leesbaar zijn moeten worden vervangen;
- Installeer koelleidingen of onderdelen van het koelcircuit in een positie waar ze niet blootgesteld kunnen worden aan stoffen die de onderdelen die het koudemiddel bevatten kunnen corroderen, tenzij deze onderdelen van een materiaal zijn gemaakt die corrosiebestendig zijn of gepast tegen corrosie zijn beschermd.

9) Controle van elektrische apparatuur

Als onderdeel van reparatie- en onderhoudswerkzaamheden aan elektrische componenten moeten vooraf veiligheidscontroles worden uitgevoerd en moeten de componenten worden geïnspecteerd. Als een defect wordt geconstateerd dat de veiligheid in gevaar kan brengen, mag er geen stroomtoevoer op het circuit worden aangesloten, voordat het defect adequaat is verholpen. Als het defect niet direct kan worden verholpen, maar de bedrijfswerkzaamheden niet langer kunnen worden onderbroken, moet er een adequate en tijdelijke oplossing worden gevonden. Van deze tijdelijke oplossing moet melding worden gemaakt bij de eigenaar van het apparaat, zodat alle partijen op de hoogte zijn. Tot de initiële veiligheidscontroles behoren:

- De condensatoren moeten worden ontladen: dit moet op een veilige manier worden gedaan om de mogelijkheid op vonken te voorkomen;
- Er mogen geen actieve elektrische componenten en draden blootliggen tijdens het opladen, herstellen of spoelen van het systeem;
- Het systeem moet continu geaard zijn.

2. Reparaties op de afgedichte onderdelen

- 1) Tijdens de reparatie van afgedichte componenten moet alle stroomtoevoer worden ontkoppeld van het apparaat waaraan wordt gewerkt, voordat afdichtingen mogen worden verwijderd. Indien het absoluut noodzakelijk is dat er tijdens onderhoudswerkzaamheden stroomtoevoer naar het apparaat is, moet er een permanent werkende lekdetector worden geplaatst op het meest kritieke punt, zodat deze kan waarschuwen als er een gevaarlijke situatie optreedt.
- 2) Op de volgende punten moet bijzonder goed worden gelet om te voorkomen dat de behuizing van elektrische componenten tijdens werkzaamheden zijn beschermende functie niet verliest. Hiertoe behoort schade aan kabels, te veel aansluitingen, terminals die niet voldoen aan de oorspronkelijke specificaties, schade aan afdichtingen, niet goed passende wartels, enz.

Zorg dat het apparaat op een juiste manier in elkaar is gezet. Zorg dat de afdichtingen of het afdichtingsmateriaal niet zijn versleten om indringing van brandbare stoffen te vermijden. De reserveonderdelen moeten in overeenstemming zijn met de specificaties van de fabrikant.

OPMERKING: Het gebruik van een silicone afdichtmiddel kan een impact hebben op de juiste werking van bepaalde lekdetectieapparatuur. Intrinsieke veilige onderdelen moeten niet eerst worden geïsoleerd alvorens er werkzaamheden op uit te voeren.

3. Reparatie van intrinsiek veilige componenten

Stel het circuit niet bloot aan permanente inductie- of condensatorbelasting zonder van tevoren te controleren of deze belasting de toegestane spanning en stroomsterkte van het apparaat niet overschrijdt. Intrinsiek veilige componenten zijn de enige componenten waaraan kan worden gewerkt als er stroom op staat en er ontvlambare gassen of dampen aanwezig zijn. Het testapparaat moet aan de specificaties voldoen. Vervang de componenten alleen met door de fabrikant gespecificeerde componenten. Andere onderdelen kunnen het koudemiddel in brand steken wanneer er een lek aanwezig is.

4. Bekabeling

Controleer of de bekabeling niet onderhevig is aan slijtage, corrosie, overmatige druk, trillingen, scherpe randen of andere nadelige factoren in de bedrijfsomgeving. Houd tevens rekening met de effecten van veroudering en de continue trillingen van bronnen als compressors en ventilatoren.

5. Detectie van ontvlambaar koudemiddel

Onder geen enkele omstandigheid mogen er ontstekingsbronnen worden gebruikt voor het zoeken naar of detecteren van lekkend koudemiddel. Er mogen geen lekzoeklampen (of andere detectoren met een open vlam) worden gebruikt.

6. Methodes voor lekdetectie

De volgende lekdetectiemethodes zijn geschikt bevonden voor systemen die ontvlambaar koudemiddel bevatten.

Elektronische lekdetectoren kunnen worden gebruikt voor het detecteren van brandbare koudemiddelen. De gevoeligheid kan echter ongepast zijn of herkalibratie kan nodig zijn. (Kalibreer de detectieapparatuur in een gebied zonder koudemiddel). Zorg dat de detector geen potentiële ontstekingsbron is en voor het gebruikte koudemiddel gepast is. Stel de lekdetectieapparatuur in op een percentage van de LFL van het koudemiddel en kalibreer het volgens het gebruikte koudemiddel en de gepaste gaspercentage (maximum 25%). Lekdetectievloeistoffen zijn gepast voor gebruik met de meeste koudemiddelen, maar gebruik geen detergerenten die chloor bevatten. De chloor kan reageren met het koudemiddel en de koperen leidingen corroderen. Als een lek wordt vermoed, verwijder/ doof alle open vlammen. Als een koudemiddellek wordt gevonden en er gesoldeerd moet worden, moet al het koudemiddel uit het systeem worden verwijderd of met behulp van ventielen worden geïsoleerd in een deel van het systeem dat zich op afstand van het lek bevindt. Zowel vóór als tijdens het solderen moet het systeem worden gespoeld met zuurstofvrije stikstof.

7. Verwijderen en vacuüm zuigen

Er worden algemene procedures gehanteerd voor reparatie- of andere werkzaamheden aan het koudemiddelcircuit. Houd met het oog op de ontvlambaarheid van koudemiddelen echter de volgende maatregelen in acht. Voer de volgende procedure uit:

- Verwijder het koudemiddel;
- Ontlucht het circuit met inert gas;
- Maak luchtleidig;
- Ontlucht opnieuw met inert gas;
- Open het circuit door het te snijden of te solderen.

Het verwijderde koudemiddel moet worden opgevangen in de juiste verzamelingscilinders. Het systeem moet worden doorgespoeld met zuurstofvrije stikstof om het systeem veilig te maken. Het is mogelijk dat dit proces meerdere keren moet worden herhaald. Hiervoor mag geen gebruik worden gemaakt van perslucht of zuurstof. Het doorspoelen gebeurt door het vacuüm in het systeem op te heffen met zuurstofvrije stikstof tot de bedrijfsdruk is bereikt, de stikstof te laten ontsnappen in de omgevingslucht en het systeem vervolgens opnieuw vacuüm te zuigen. Dit proces moet worden herhaald tot er geen koudemiddel meer in het systeem aanwezig is. Wanneer er voor het laatst zuurstofvrije stikstof is toegepast, moet dit worden vrijgegeven aan de omgevingslucht tot de omgevingsdruk is bereikt. Vervolgens kan er met de werkzaamheden worden begonnen. Deze procedure is absoluut noodzakelijk als er soldeerwerkzaamheden op de leidingen dienen te gebeuren. Zorg dat de uitlaat van de vacuümpomp zich niet in de buurt van een ontstekingsbron bevindt en er voldoende ventilatie aanwezig is.

8. Vulprocedures

Naast de algemene vulprocedures moeten de volgende vereisten worden nageleefd.

- Zorg ervoor dat er bij het gebruik van de vulapparatuur geen vermenging van verschillende koudemiddelen optreedt. Slangen of leidingen moeten zo kort mogelijk worden gehouden om de hoeveelheid koudemiddel tot een minimum te beperken.
- De cilinders moeten rechtop staan.
- Zorg ervoor dat het koudemiddelsysteem geaard is, voordat het systeem wordt gevuld met koudemiddel.

- Label het systeem wanneer het is gevuld (indien dit nog niet is gedaan).
- Het is uiterst belangrijk dat het systeem niet overmatig gevuld wordt.

Voordat het systeem opnieuw wordt gevuld, moet er een druktest met zuurstofvrije stikstof worden uitgevoerd. Het systeem moet na het vullen, maar vóór ingebruikname, worden getest op lekkage. Een tweede lektest moet worden uitgevoerd alvorens de locatie te verlaten.

9. Ontmanteling

Voordat deze procedure wordt uitgevoerd, moet de technicus volledig bekend zijn met het apparaat. Het wordt aanbevolen dat alle koudemiddelen veilig worden opgevangen. Vóór het uitvoeren van de taak moet er een olie- en koudemiddelmonster worden genomen, voor het geval het opgevangen koudemiddel vóór hergebruik moet worden geanalyseerd. Het is essentieel dat er stroomtoevoer is vóór de werkzaamheden beginnen.

- a) Raak vertrouwd met het apparaat en zijn werking.
- b) Zorg voor gepaste elektrische isolatie van het systeem.
- c) Voordat u de procedure uitvoert:
 - Indien nodig, zorg dat er mechanische uitrusting voor het behandelen van de bewaarflessen met koudemiddel aanwezig is;
 - Zorg voor persoonlijke beschermingsmiddelen en dat ze juist worden gebruikt;
 - Zorg tijdens het terugwinningsproces voor een continu toezicht door een vakbekwame persoon.
 - Zorg dat de gebruikte terugwinningsuitrusting en bewaarflessen in overeenstemming zijn met de gepaste normen.
- d) Pomp het koudemiddelsysteem indien mogelijk leeg.
- e) Als gebruik van een vacuümpomp niet mogelijk is, moet een verdeelstuk worden gebruikt zodat het koudemiddel van verschillende onderdelen van het systeem kan worden verwijderd.
- f) Zorg ervoor dat de cilinder op de weegschaal staat voordat het koudemiddel wordt opgevangen.
- g) Start de opvangmachine en bedien deze volgens de instructies van de fabrikant.
- h) Vul de cilinders niet te veel. (Niet meer dan 80% van het vloeistofvolume)
- i) Overschrijd de maximale werkdruk van de cilinder niet, zelfs niet tijdelijk.
- j) Als de cilinders correct zijn gevuld en het proces is voltooid, moeten de cilinders en het apparaat snel van de locatie worden verwijderd en moeten alle isolatieventielen op het apparaat worden afgesloten.
- k) Verzameld koudemiddel mag pas voor een ander koudemiddelsysteem worden gebruikt, als het is schoongemaakt en gecontroleerd.

10. Labeling

Het apparaat moet worden voorzien van een label waarop staat vermeld dat het apparaat is ontmanteld en dat het koudemiddel is verwijderd. Het label moet worden gedateerd en ondertekend. Zorg ervoor dat er labels op de cilinders aanwezig zijn met vermelding dat de cilinders ontvlambaar koudemiddel bevatten.

11. Herstel

Bij het opvangen van koudemiddel van een systeem, voor zowel onderhoud als ontmanteling, moeten alle koudemiddelen op een veilige manier worden verwijderd. Wanneer koudemiddel wordt opgevangen in cilinders mogen alleen geschikte cilinders voor koudemiddel worden gebruikt. Zorg dat u het nodige aantal cilinders hebt om alle koudemiddel te kunnen bewaren. Alle cilinders die worden gebruikt, zijn bestemd voor het opvangen van koudemiddel en moeten als zodanig worden gelabeld (d.w.z. speciale cilinders voor het opvangen van koudemiddel). De cilinders moeten compleet zijn, met een overdrukventiel en afsluitventielen, en alle onderdelen moeten in goede staat verkeren. Lege opvangcilinders moeten met een vacuümpomp worden geleegd en, indien mogelijk, worden gekoeld vóór het opvangen van het koudemiddel. De opvangapparatuur moet zich in een goede staat bevinden, voorzien zijn van instructies en geschikt zijn voor

het opvangen van ontvlambare koudemiddelen. Daarnaast moet er een gekalibreerde weegschaal aanwezig zijn die in goede staat verkeert. Slangen moeten intact zijn, compleet met lekvrije en juist werkende koppelstukken. Controleer vóór gebruik of de opvangmachine in een goede staat verkeert, goed is onderhouden en dat alle elektrische componenten zijn afgedicht om ontsteking te voorkomen in geval koudemiddel vrijkomt. In geval van twijfel, neem contact op met de fabrikant. Lever het teruggewonnen koudemiddel in bij uw leverancier van koudemiddel, in de juiste cilinder en voorzien van de relevante documentatie. Meng geen koudemiddelen in opvangunits en, in het bijzonder, niet in cilinders. Als er compressoren of compressorolie moeten worden verwijderd, moet de olie tot een acceptabel niveau worden afgezogen met een vacuümpomp, zodat er geen ontvlambaar koudemiddel in de olie achterblijft. Het vacuümproces moet vóór retournering van de compressor aan de leverancier worden uitgevoerd. Om dit proces te versnellen mag de compressorbehuizing uitsluitend elektrisch worden verwarmd. Olie moet altijd voorzichtig uit een systeem worden verwijderd.

Competentie van het onderhoudspersoneel

Algemeen

Speciale opleiding naast de gebruikelijke reparatieprocedures voor koelapparatuur is nodig wanneer het apparaat met ontvlambaar koudemiddel betreft.

In vele landen wordt deze opleiding gegeven door nationale opleidingsorganisaties die geaccrediteerd zijn om de relevante nationale competentienormen, die wettelijk vastgelegd kunnen zijn, bij te brengen.

De behaalde competentie moet in een certificaat zijn vastgelegd.

Opleiding

De opleiding moet het volgende bevatten:

Informatie over het explosiepotentieel van ontvlambare koudemiddelen om aan te tonen dat ontvlambare stoffen gevaarlijk kunnen zijn wanneer ze verkeerd worden behandeld.

Informatie over mogelijke ontstekingsbronnen, in het bijzonder deze die niet vanzelfsprekend zijn, zoals aanstekers, lichtschakelaars, stofzuigers, elektrische verwarmingstoestellen.

Informatie over de verschillende veiligheidsconcepten:

Ongeventileerd – De veiligheid van het apparaat is niet afhankelijk van de ventilatie van de behuizing. Het uitschakelen van het apparaat of het openen van de behuizing heeft geen beduidend gevolg voor de veiligheid. Het is echter mogelijk dat er lekkend koudemiddel in de behuizing ophoopt en er een ontvlambare atmosfeer bij het openen van de behuizing vrijkomt.

Geventileerde behuizing – De veiligheid van het apparaat is afhankelijk van de ventilatie van de behuizing. Het uitschakelen van het apparaat of het openen van de behuizing heeft geen beduidend gevolg voor de veiligheid. De ventilatie van de ruimte mag tijdens de reparatieprocedures niet worden uitgeschakeld.

Geventileerde ruimte – De veiligheid van het apparaat is afhankelijk van de ventilatie van de ruimte. Het uitschakelen van het apparaat of het openen van de behuizing heeft geen beduidend gevolg voor de veiligheid. De ventilatie van de ruimte mag tijdens de reparatieprocedures niet worden uitgeschakeld.

Informatie over het concept van afgedichte componenten en afgedichte behuizingen overeenkomstig IEC 60079-15:2010.

Informatie over de juiste werkprocedures:

a) Inbedrijfstelling

- Zorg dat het vloeroppervlak voldoende groot is voor het koudemiddel of dat de ventilatieslang op een juiste manier is aangebracht.
- Sluit de leidingen aan en voer een lektest uit voordat u het apparaat met koudemiddel vult.
- Controleer de veiligheidsapparatuur alvorens het apparaat in bedrijf te stellen.

b) Onderhoud

- Repareer draagbare apparatuur buiten of in een werkplaats die specifiek is bestemd voor het repareren van apparaten met ontvlambaar koudemiddel.

- Zorg voor voldoende ventilatie in de werkplaats.
 - Storing van de apparatuur kan optreden door verlies van koudemiddel en een koudemiddellek is mogelijk.
 - Gooi condensatoren op een juiste manier weg zodat er geen vonkvorming mogelijk is. De standaardprocedure om de aansluitklemmen van condensatoren kort te sluiten veroorzaakt over het algemeen vonken.
 - Breng de afgedichte behuizingen opnieuw op een juiste manier aan. Als de afdichtingen versleten zijn, vervang ze.
 - Controleer de veiligheidsapparatuur alvorens het apparaat in bedrijf te stellen.
- c) Reparatie
- Repareer draagbare apparatuur buiten of in een werkplaats die specifiek is bestemd voor het repareren van apparaten met ontlambaar koudemiddel.
 - Zorg voor voldoende ventilatie in de werkplaats.
 - Storing van de apparatuur kan optreden door verlies van koudemiddel en een koudemiddellek is mogelijk.
 - Gooi condensatoren op een juiste manier weg zodat er geen vonkvorming mogelijk is.
 - Als soldeerwerkzaamheden nodig zijn, voer de volgende procedures in de juiste volgorde uit:
 - Verwijder het koudemiddel. Als terugwinning door de nationale regelgeving niet vereist is, voer het koudemiddel naar buiten af. Zorg dat het afgevoerde koudemiddel geen gevaar oplevert. In geval van twijfel, laat een persoon toezicht op de uitlaat houden. Zorg ervoor dat er geen afgevoerd koudemiddel opnieuw in het gebouw stroomt.
 - Zuig het koudemiddelcircuit vacuüm.
 - Spoel het koudemiddelcircuit gedurende 5 minuten met stikstof.
 - Zuig het circuit opnieuw vacuüm.
 - Verwijder de te vervangen onderdelen door ze af te snijden, en niet met gebruik van een vlam.
 - Spoel het soldeerpunt met stikstof tijdens de soldeerprocedure.
 - Voer een lektest uit voordat u het apparaat met koudemiddel vult.
 - Breng de afgedichte behuizingen opnieuw op een juiste manier aan. Als de afdichtingen versleten zijn, vervang ze.
 - Controleer de veiligheidsapparatuur alvorens het apparaat in bedrijf te stellen.
- d) Ontmanteling
- Als de veiligheid wordt aangetast tijdens het buiten dienst stellen van de apparatuur, verwijder het koudemiddel voordat u start met de ontmanteling.
 - Zorg voor voldoende ventilatie in de ruimte waar de apparatuur zich bevindt.
 - Storing van de apparatuur kan optreden door verlies van koudemiddel en een koudemiddellek is mogelijk.
 - Gooi condensatoren op een juiste manier weg zodat er geen vonkvorming mogelijk is.
 - Verwijder het koudemiddel. Als terugwinning door de nationale regelgeving niet vereist is, voer het koudemiddel naar buiten af. Zorg dat het afgevoerde koudemiddel geen gevaar oplevert. In geval van twijfel, laat een persoon toezicht op de uitlaat houden. Zorg ervoor dat er geen afgevoerd koudemiddel opnieuw in het gebouw stroomt.
 - Zuig het koudemiddelcircuit vacuüm.
 - Spoel het koudemiddelcircuit gedurende 5 minuten met stikstof.
 - Zuig het circuit opnieuw vacuüm.
 - Vul tot aan de atmosferische druk met stikstof.
 - Breng een label op de apparatuur aan met de vermelding dat het koudemiddel is verwijderd.
- e) Verwijdering
- Zorg voor voldoende ventilatie in de werkplaats.
 - Verwijder het koudemiddel. Als terugwinning door de nationale regelgeving niet vereist is, voer het koudemiddel naar buiten af. Zorg dat het afgevoerde koudemiddel geen gevaar oplevert. In geval van twijfel, laat een persoon toezicht op de uitlaat houden. Zorg ervoor dat er geen afgevoerd koudemiddel opnieuw in het gebouw stroomt.

- Zuig het koudemiddelcircuit vacuüm.
- Spoel het koudemiddelcircuit gedurende 5 minuten met stikstof.
- Zuig het circuit opnieuw vacuüm.
- Snij de compressor uit en voer de olie af.

Transport, markering en opslag van apparaten die ontvlambaar koudemiddel gebruiken

Transport van apparatuur die ontvlambaar koudemiddel bevat

Opgelet! Extra transportvoorschriften kunnen gelden voor wat betreft apparatuur die ontvlambaar gas bevat. Het maximum aantal apparaten of de samenstelling van de apparatuur die samen mag worden opgeslagen wordt bepaald door de geldende transportvoorschriften.

Markering van apparatuur met behulp van aanduidingen

Aanduidingen voor gelijksoortige apparaten, die in een werkgebied worden gebruikt, worden over het algemeen bepaald door de lokale regelgeving en geven de minimum voorschriften inzake veiligheids- en/of gezondheidssignalering op het werk aan.

Alle vereiste aanduidingen moeten in een goede staat worden gehouden en de werkgevers moeten ervoor zorgen dat de werknemers gepaste en voldoende instructies en opleiding krijgen over de betekenis van de gepaste veiligheidsaanduidingen en de uit te voeren handelingen die met deze aanduidingen verband houden. De doeltreffendheid van de aanduidingen mag niet afnemen door het aanbrengen van te veel aanduidingen op een bepaalde plaats.

De gebruikte pictogrammen moeten zo eenvoudig mogelijk zijn en alleen essentiële details bevatten.

Afdanking van apparatuur die ontvlambare koudemiddelen gebruiken.

Zie de nationale wetgeving.

Opslag van apparatuur

De opslag van apparatuur moet in overeenstemming zijn met de instructies van de fabrikant.

Opslag van verpakte (niet-verkochte) apparatuur

De opslagverpakking moet zodanig worden beschermd dat mechanische beschadiging van de apparatuur in de verpakking niet kan resulteren in lekkage van het koudemiddel.

Het maximum aantal apparaten dat samen mag worden opgeslagen wordt bepaald door de lokale wetgeving.

INSTRUKCJE DOTYCZĄCE BEZPIECZEŃSTWA

Aby nie dopuścić do urazów lub uszkodzeń oraz aby maksymalnie wykorzystać możliwości urządzenia, przed rozpoczęciem jego użytkowania należy przeczytać wszystkie poniższe zalecenia. Niniejszą instrukcję należy przechowywać w bezpiecznym miejscu. W przypadku przekazania lub odstąpienia komuś tego urządzenia, do urządzenia należy dołączyć również tę instrukcję.

W przypadku uszkodzenia spowodowanego nieprzestrzeganiem przez użytkownika zaleceń podanych w niniejszej instrukcji gwarancja nie ma zastosowania. Producent/importer nie ponosi odpowiedzialności za szkody spowodowane nieprzestrzeganiem podanych w instrukcji zaleceń, zaniedbaniami oraz użytkowaniem w sposób niezgodny z wymaganiami opisanymi w instrukcji.

1. Prosimy przeczytać i zachować tę instrukcję. Uwaga: ilustracje w instrukcji obsługi są podane wyłącznie w celach orientacyjnych.
2. Pod warunkiem zapewnienia odpowiedniego nadzoru, pouczenia na temat bezpiecznej obsługi i dopilnowania zrozumienia zagrożeń, urządzenie może być używane przez dzieci w wieku od lat 8, osoby o ograniczeniach fizycznych, czuciowych lub psychicznych, a także osoby, którym brak jest doświadczenia lub wiedzy.
3. Dzieci nie powinny bawić się urządzeniem.
4. Dzieci nie mogą bez nadzoru wykonywać czynności związanych z czyszczeniem i konserwacją.
5. Jeżeli kabel zasilający zostanie uszkodzony, aby uniknąć niebezpiecznych sytuacji, należy go wymienić. Wymiany powinien dokonać producent, przedstawiciel jego serwisu lub inne osoby o podobnych kwalifikacjach.
6. Wyłącznie do użytku w zamkniętych pomieszczeniach.

7. Urządzenia nie należy używać: blisko źródła ognia, w miejscach, gdzie może chlapać olej, w miejscach bezpośrednio nasłonecznionych, w miejscach, gdzie może chlapać woda, a także obok wanny, pralni, prysznicza lub basenu.
8. Do wylotów powietrza nigdy nie wolno wkładać palców. Szczególną uwagę należy zwrócić na ostrzeżenie o tych zagrożeniach dzieci.
9. W czasie transportu i użytkowania urządzenie musi stać w pozycji pionowej – wynika to z konieczności odpowiedniego ustawienia kompresora.
10. Przed czyszczeniem lub przestawieniem w inne miejsce należy zawsze wyłączyć urządzenie i odłączyć zasilanie.
11. Aby nie spowodować pożaru i nie dopuścić do innych zagrożeń, urządzenia nie wolno nigdy zakrywać.
12. Wszystkie gniazdka klimatyzatora muszą spełniać wymogi bezpieczeństwa elektrycznego. W razie potrzeby należy skontrolować urządzenie pod kątem owych wymogów.
13. Urządzenie należy zainstalować zgodnie z krajowymi przepisami dotyczącymi sposobu prowadzenia okablowania.
14. Informacje o typie i amperażu bezpieczników: T, 250 V prąd zmienny, 2 A lub 3,15 A.
15. W celu przeprowadzenia naprawy lub serwisowania urządzenia należy się skontaktować z technikiem autoryzowanego serwisu.
16. Nie należy ciągnąć, odkształcać ani przerabiać przewodu zasilającego, nie wolno go też zanurzać w wodzie. Ciągnięcie lub niewłaściwe użytkowanie przewodu zasilającego może doprowadzić do uszkodzenia urządzenia lub do porażenia prądem.
17. Należy przestrzegać krajowych przepisów w sprawie gazu.
18. Czynności serwisowe powinny być wykonywane wyłącznie zgodnie z zaleceniami producenta urządzenia. Czynności konserwacyjne i naprawy wymagające pomocy innych wykwalifikowanych osób powinny być wykonywane pod

nadzorem osoby kompetentnej w zakresie łatwopalnych czynników chłodniczych.

19. Urządzenia nie należy włączać ani włączać przez wkładanie lub wyjmowanie wtyczki przewodu zasilającego, może to bowiem doprowadzić do porażenia prądem lub spowodować pożar wskutek wytwarzania się ciepła.
20. Jeśli z urządzenia dochodzą dziwne dźwięki, zapachy lub pojawia się dym, urządzenie należy odłączyć od zasilania.
21. Urządzenie należy zawsze podłączać do kontaktu ściennego z uziemieniem.
22. W przypadku jakichkolwiek uszkodzeń należy wyłączyć urządzenie wyłącznikiem, wyjąć wtyczkę z kontaktu i skontaktować się z autoryzowanym punktem serwisowym w celu dokonania naprawy.
23. Nie należy używać jakichkolwiek środków przyspieszających proces odszraniania lub czyszczenia innych niż te, które zaleca producent.
24. Urządzenie należy przechowywać w pomieszczeniu, w którym nie ma włączonych na stałe źródeł zapłonu (np.: otwarte płomienie, włączone urządzenie gazowe lub włączony grzejnik elektryczny).
25. Nie przebijać, nie wrzucać do ognia.
26. Należy mieć świadomość, że czynnik chłodniczy może być bezwonny.
27. Urządzenie zawiera czynnik chłodniczy R290. R290 jest chłodziwem gazowym spełniającym europejskie dyrektywy w sprawie środowiska. Nie wolno przebijać jakiegokolwiek części obwodu z czynnikiem chłodniczym.
28. Jeżeli urządzenie zostanie zainstalowane i będzie używane lub przechowywane w pomieszczeniu bez wentylacji, pomieszczenie to musi być zaprojektowane w taki sposób, aby zapobiegało zbieraniu się czynnika chłodniczego wydostającego się z obwodu wskutek nieszczelności, ponieważ stwarza on ryzyko pożaru lub wybuchu wskutek zapalenia się chłodziwa od grzejników elektrycznych, kuchenek lub innych źródeł zapłonu.

29. Urządzenie należy przechowywać w taki sposób, aby zapobiec usterce mechanicznej.
30. Osoby obsługujące obwód z czynnikiem chłodniczym lub pracujące przy nim muszą posiadać odpowiedni certyfikat wydany przez akredytowaną organizację, zapewniający posiadanie kompetencji odpowiednich do pracy przy czynnikach chłodniczych zgodnie ze szczegółową oceną uznawaną przez stowarzyszenia branżowe.
31. Naprawy muszą być wykonywane na podstawie zaleceń producenta. Czynności konserwacyjne i naprawy wymagające pomocy innych wykwalifikowanych osób powinny być wykonywane pod nadzorem osoby przeszkolonej w zakresie łatwopalnych czynników chłodniczych.
32. Po przestawieniu z miejsca na miejsce należy zawsze zostawić urządzenie, abyostało przez co najmniej 2 godziny.
33. Instrukcje dotyczące naprawy urządzeń zawierających czynnik chłodniczy R290 podano poniżej.



Ostrzeżenie: Ryzyko pożaru / Materiały łatwopalne.



Przeczytaj instrukcje.



Podręcznik operatora; instrukcje obsługi.



Wskaźnik serwisu; przeczytaj instrukcję techniczną.

Ostrzeżenie: Otwory wentylacyjne muszą znajdować się z dala od przeszkód.

Ostrzeżenie: Urządzenie należy przechowywać w miejscu posiadającym dobrą wentylację, w pomieszczeniu o powierzchni takiej jak przewidziano dla tego urządzenia.

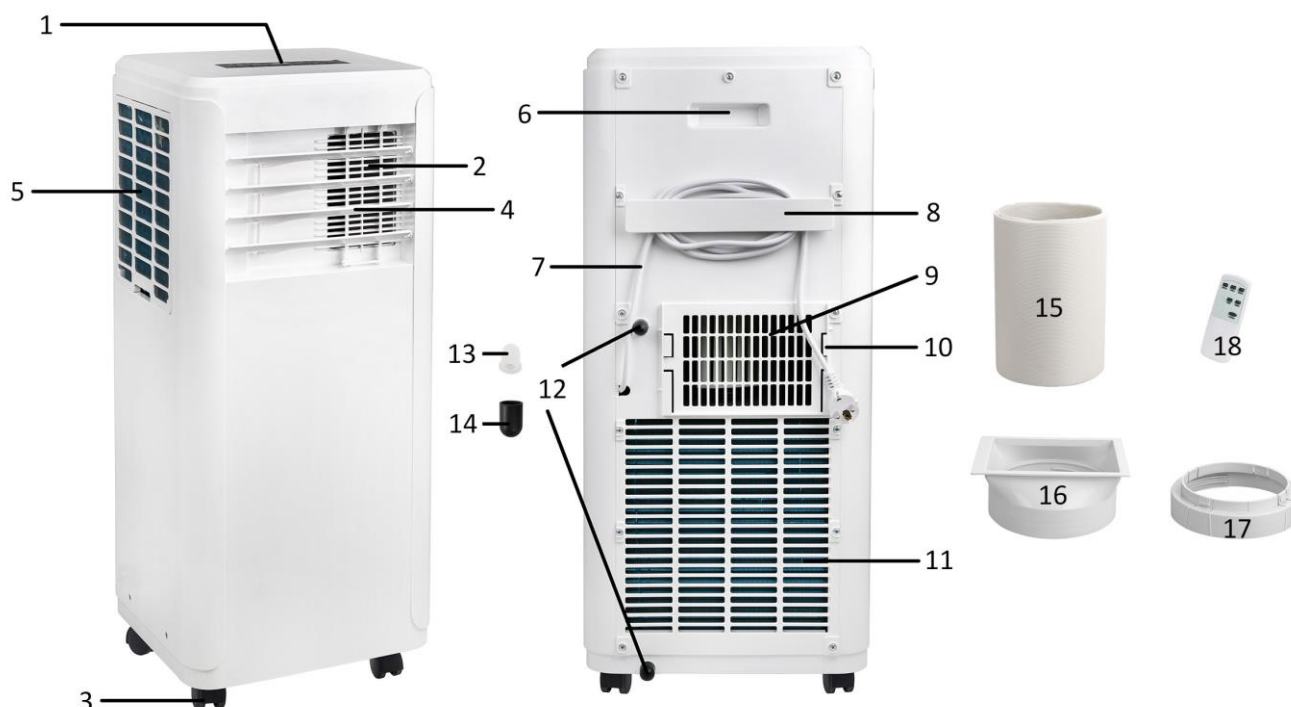
Wszystkie procedury robocze mające wpływ na bezpieczeństwo muszą być wykonywane wyłącznie przez osoby kompetentne.

Wymagana odległość wokół urządzenia powinna wynosić co najmniej 30 cm.

Urządzenie powinno być zainstalowane, używane i przechowywane w pomieszczeniu o powierzchni podłogi powyżej X m².

MODEL	X (m ²)	Model
5000Btu/h,7000Btu/h, 8000Btu/h	4	-
9000Btu/h,10000Btu/h, 10500Btu/h	12	-
12000Btu/h,14000Btu/h, 16000Btu/h,18000Btu/h	15	PAC-127068.1

OPIS CZĘŚCI

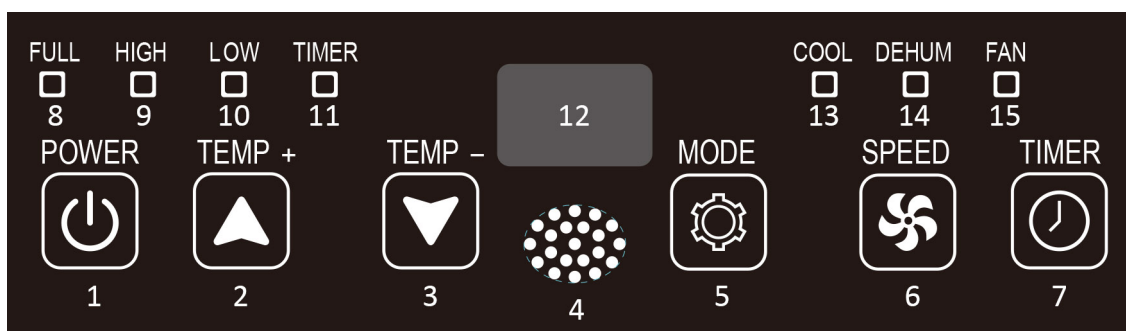


- | | |
|---|--|
| 1. Panel sterowania | 10. Wspornik łączówki do węża (strona klimatyzatora) |
| 2. Wylot powietrza | 11. Wlot powietrza |
| 3. Kółko | 12. Port do spuszczenia wody |
| 4. Żaluzja sterująca kierunkiem nawiewu w pionie (góra/dół) | 13. Gumowa zatyczka portu do spuszczenia wody |
| 5. Filtr powietrza | 14. Gumowa nakładka |
| 6. Uchwyt | 15. Wąż odprowadzający gorące powietrze |
| 7. Przewód zasilający | 16. Łączówka węża (po stronie klimatyzatora) |
| 8. Miejsce na przewód zasilający | 17. Łączówka węża (po stronie okna) |
| 9. Wylot gorącego powietrza | 18. Pilot |

Pilot

To urządzenie jest sterowane pilotem. W pilocie należy zainstalować 2 baterie AAA 1,5 V. Funkcje przycisków pilota są takie same jak funkcje przycisków na panelu sterowania.

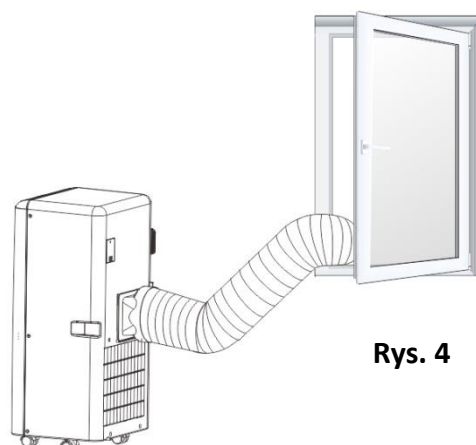
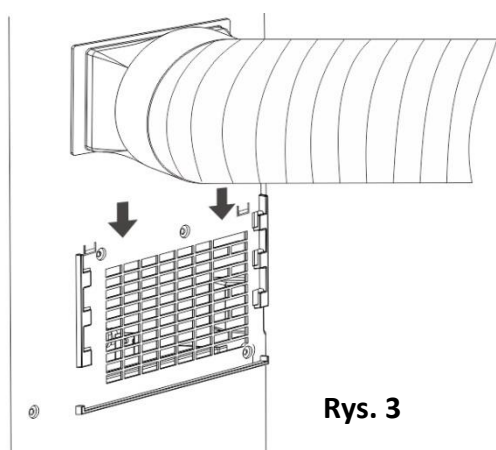
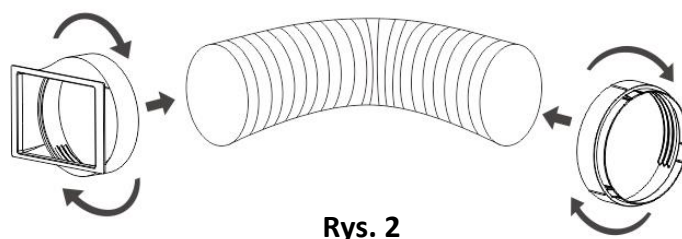
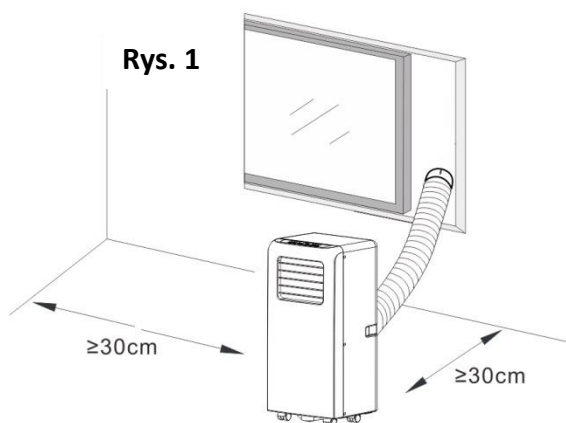
Panel sterowania



1. Przycisk zasilania
2. Przycisk zwiększania temperatury (ustawienia minutnika)
3. Przycisk zmniejszania temperatury (ustawienia minutnika)
4. Okienko odbiornika sygnału pilota
5. Przycisk trybu
6. Prędkość prędkości nawiewu
7. Przycisk włączania/wyłączania minutnika
8. Kontrolka napełnienia zbiornika na wodę
9. Kontrolka dużej prędkości
10. Kontrolka małej prędkości
11. Kontrolka minutnika
12. Wyświetlacz cyfrowy
13. Kontrolka trybu chłodzenia
14. Kontrolka trybu osuszania
15. Kontrolka trybu wentylatora

INSTALACJA (Poniższe zdjęcia służą jako wskazówki dotyczące instalacji urządzenia. Wygląd zakupionego urządzenia może być inny niż jest to pokazane na rysunku.)

- Urządzenie należy zainstalować na płaskiej powierzchni, w miejscu, w którym nie będzie zasłonięty wylot powietrza. Wymagana odległość wokół urządzenia powinna wynosić co najmniej 30 cm. **(Rys. 1)**
- Urządzenia nie należy instalować w pralni.
- Obie łączówki węża należy wkręcić na wąż odprowadzający gorące powietrze. **(Rys. 2)**
- Włożyć łączówkę węża (po stronie klimatyzatora) w zaczepy z tyłu urządzenia. **(Rys. 3)**
- Drugi koniec węża odprowadzającego położyć na najbliższym parapecie. **(Rys. 4)**



UŻYTKOWANIE

Po przestawieniu z miejsca na miejsce należy zawsze zostawić urządzenie, aby postać przez co najmniej 2 godziny.

Przed użyciem należy sprawdzić, czy wąż odprowadzający został prawidłowo zamontowany. Włożyć wtyczkę przewodu zasilającego urządzenie do kontaktu.

1. Przycisk zasilania

Aby włączyć urządzenie, nacisnąć przycisk „POWER”. Urządzenie rozpocznie pracę w trybie chłodzenia z małą prędkością nawiewu. Ponowne wciśnięcie tego samego przycisku spowoduje wyłączenie urządzenia.

2. Przyciski zwiększania i zmniejszania temperatury (ustawienia minutnika)

Aby nastawić żądaną temperaturę w pomieszczeniu z przedziału od 16°C do 31°C, należy nacisnąć przycisk „TEMP+”/„TEMP-”. Podczas nastawiania minutnika, przycisków można też używać do regulacji ustawienia minutnika w przedziale od 1 do 24 godzin. Z każdym wciśnięciem wartość zostanie zwiększona/zmniejszona o 1 (°C/godz.). Długie wciśnięcie przyspiesza nastawianie.

Uwaga: Gdy temperatura w pomieszczeniu osiągnie nastawioną wartość, urządzenie automatycznie wyłącza kompresor (chłodzący). Gdy temperatura w pomieszczeniu zwiększy się ponad nastawioną wartość, kompresor włącza się automatycznie. Wentylator znajdujący się w środku urządzenia pracuje bez przerwy przez cały czas. Gdy pracuje kompresor, urządzenie lekko wibruje. Jest to normalne i nieszkodliwe.

3. Przycisk prędkości nawiewu

Wciśnięcie przycisku „SPEED” przełącza między małą a dużą prędkością nawiewu. Zapalają się kontrolki odpowiednio „LOW” (mała prędkość) / „HIGH” (duża prędkość).

4. Przycisk trybu

Aby wybrać żądany tryb pracy, należy nacisnąć przycisk „MODE”, do wyboru są tryb chłodzenia, osuszania i wentylatora.

- W trybie chłodzenia zapala się kontrolka „COOL” (chłodzenie). Przyciski „TEMP+”/„TEMP-” pozwalają nastawić temperaturę w pomieszczeniu. Wciśnięcie przycisku „SPEED” pozwala ustawić żądaną prędkość nawiewu.
- W trybie osuszania zapala się kontrolka „DEHUM”. Urządzenie automatycznie nastawi temperaturę pracy (2°C poniżej aktualnie nastawionej temperatury w pomieszczeniu) i ustawi prędkość nawiewu na małą. Temperatury i prędkości nawiewu nie można regulować ręcznie.
- W trybie wentylatora zapala się kontrolka „FAN”. Wciśnięcie przycisku „SPEED” przełącza między małą a dużą prędkością nawiewu. Uwaga: W tym trybie nie ma funkcji temperatury. Na wyświetlaczu cyfrowym wyświetlana jest wartość, która jednak nic nie oznacza.

5. Przycisk włączania/wyłączania minutnika

Ustawianie włączenia minutnika:

- Gdy urządzenie jest wyłączone, należy wcisnąć przycisk „TIMER”, zapali się kontrolka „TIMER”.
- Przyciskami „TEMP+”/„TEMP-” wybrać żądany czas włączenia z przedziału od 1 do 24 godzin. Na wyświetlaczu cyfrowym zacznie migać komunikat „Preset ON Time” („Ustawiony czas włączenia”). Ponownie nacisnąć przycisk „TIMER” (w czasie migania), ustawienie zostanie zapisane.
- Gdy minie godzina „Preset ON Time”, urządzenie włączy się automatycznie.

Ustawianie wyłączenia minutnika:

- Gdy urządzenie jest włączone, należy wcisnąć przycisk „TIMER”, zapali się kontrolka „TIMER”.
- Przyciskami „TEMP+”/„TEMP-” wybrać żądany czas wyłączenia z przedziału od 1 do 24 godzin. Na wyświetlaczu cyfrowym zacznie migać komunikat „Preset OFF Time” („Ustawiony czas wyłączenia”). Ponownie nacisnąć przycisk „TIMER” (w czasie migania), ustawienie zostanie zapisane.
- Gdy minie godzina „Preset OFF Time”, urządzenie wyłączy się automatycznie.

Uwaga: Po nastawieniu minutnika na wyświetlaczu cyfrowym będzie wyświetlany odliczany czas. Ponowne wciśnięcie przycisku „TIMER” powoduje anulowanie funkcji minutnika.

UWAGA: Po ponownym włączeniu urządzenia bez wyjmowania wtyczki z kontaktu urządzenie wznawia pracę z wcześniej ustawionym trybem pracy. Jeśli urządzenie zostało wcześniej odłączone od zasilania, po ponownym włączeniu praca zostanie rozpoczęta w trybie chłodzenia z małą prędkością nawiewu.

OSTRZEŻENIA dotyczące pracy w trybie chłodzenia i osuszania:

- Podczas używania funkcji w trybie chłodzenia i osuszania, między każdym włączeniem lub wyłączeniem zasilania należy zachować odstęp co najmniej 3 minut.
- Zasilacz musi spełniać wymagania.
- Gniazdko nadaje się do stosowania prądu zmiennego.
- Nie należy zasilać z jednego kontaktu kilku urządzeń.
- Parametry zasilania: prąd zmienny, 220-240 V, 50 Hz.

Alarm pełnego zbiornika na wodę

Podczas normalnego użytkowania urządzenie może automatycznie odparować skroploną wodę, a niewielka ilość wody będzie się zbierać w wewnętrznej tacce na wodę.

Gdy tylko skroplona woda zebrana w wewnętrznej tacce na wodę osiągnie określony poziom, zostanie wysłany sygnał alarmu pełnego zbiornika na wodę: zaświeci się kontrolka pełnego zbiornika na wodę, a ok. 5 minut później na cyfrowym wyświetlaczu wyświetlony zostanie kod „E2”.

Tak więc, gdy pojawi się alarm pełnego zbiornika na wodę, należy usunąć wodę z tacki na wodę. Z portu do spuszczenia wody w dolnej części urządzenia zdjęj gumową osłonę, a następnie wyjąć gumowy korek i spuścić wodę.

Ciągłe odprowadzanie wody

Aby uniknąć zakłóceń powstałych w wyniku alarmu pełnego zbiornika na wodę, można zastosować ciągły drenaż. Przygotować wąż do spuszczenia wody. Podłączyć go do portu do spuszczenia wody na środku urządzenia i spuścić wodę do wiadra lub odpływu podłogowego. W taki sposób urządzenie także może poprawnie pracować.

- Jeśli planuje się pozostawić urządzenie nieużywane przez długi czas, aby usunąć wodę, należy użyć obu portów spustowych.
- Jeśli skroplona woda szybko się zbiera i wkrótce doprowadzi do alarmu pełnego zbiornika na wodę, może dojść do uszkodzenia silnika wewnątrz maszyny. W takim przypadku prosimy o kontakt z naszym działem serwisowym pod adresem www.emerio.eu/service

CZYSZCZENIE I KONSERWACJA

- Przed czyszczeniem należy koniecznie odłączyć urządzenie od zasilania elektrycznego.
- Do czyszczenia urządzenia nie wolno używać benzyny ani jakichkolwiek innych chemikaliów.
- Urządzenia nie należy bezpośrednio myć.

Filtr powietrza

Jeżeli filtr powietrza zapycha się kurzem/brudem, należy go czyścić raz na dwa tygodnie.

- Wysunąć filtr powietrza z dołu, aby wyjąć go z urządzenia.
- Wyczyścić filtr powietrza obojętnym detergentem w letniej wodzie (40°C) i wysuszyć w cieniu.
- Włożyć filtr powietrza z powrotem.

Czyszczenie powierzchni

Najpierw należy wyczyścić powierzchnię obojętnym detergentem i wilgotną ściereczką, a potem wytrzeć ją suchą szmatką.

ROZWIĄZYWANIE PROBLEMÓW

Problemy	Możliwe przyczyny	Rozwiązania
Po wciśnięciu przycisku zasilania urządzenie się nie włącza	Miga kontrolka napełnienia tacki na wodę, tacka na wodę jest pełna.	Wyjąć gumową zatyczkę, aby spuścić wodę przez wylot do spuszczenia wody.
	Temperatura w pomieszczeniu jest niższa niż temperatura nastawiona.	Zresetować temperaturę.
Nie jest wystarczająco chłodno	Nie są zamknięte drzwi lub okna.	Upewnić się, że drzwi i okna są zamknięte.
	W pomieszczeniu znajdują się źródła ciepła.	Jeśli to możliwe, usunąć źródła ciepła.
	Wąż odprowadzający gorące powietrze jest niepodłączony lub zatkany.	Podłączyć lub wyczyścić wąż odprowadzający gorące powietrze.
	Zbyt wysokie ustawienie temperatury.	Zresetować temperaturę.
	Zatkany wlot powietrza.	Wyczyścić wlot powietrza.
Hałaśliwa praca	Podłoże nie jest poziome lub nie jest wystarczająco płaskie.	Jeśli to możliwe, ustawić urządzenie na płaskiej, poziomej powierzchni.
	Z urządzenia dochodzą odgłosy przepływającego w instalacji czynnika chłodniczego.	Jest to normalne.
Kod E0	Usterka czujnika temperatury w pomieszczeniu.	Wymienić czujnik temperatury w pomieszczeniu. Skontaktować z technikiem autoryzowanego serwisu w celu przeprowadzenia naprawy.
Kod E1	Usterka czujnika temperatury w skraplaczu.	Wymienić czujnik temperatury w skraplaczu. Skontaktować z technikiem autoryzowanego serwisu w celu przeprowadzenia naprawy.
Kod E2	Tacka na wodę pełna podczas chłodzenia.	Wyjąć gumową zatyczkę i wylać wodę.
Kod E3	Usterka czujnika temperatury w parowniku.	Wymienić czujnik temperatury w parowniku. Skontaktować z technikiem autoryzowanego serwisu w celu przeprowadzenia naprawy.
Urządzenie przestaje chłodzić po cyklu roboczym trwającym 50 minut.	Gdy podczas trybu chłodzenia temperatura otoczenia w pomieszczeniu spadnie na 50 minut do 21°C lub poniżej, wówczas w domyślnym programie urządzenie wyłączy się na 5 minut.	Żadne działanie nie jest wymagane. Ma to na celu zapobieżenie zamarzaniu wewnętrznych miedzianych rur chłodzących. Urządzenie wznowi pracę po 5 minutach, a powyższy cykliczny proces będzie powtarzany w sposób ciągły.

DANE TECHNICZNE

Uwaga: Zakres temperatury działania:

	Maksymalne chłodzenie	Minimalne chłodzenie
Temperatura suchego termometru / Temperatura mokrego termometru (°C)	35/24	18/12

Poniższe dane mogą się przydać podczas użytkowania urządzenia

Model	PAC-127068.1
Napięcie znamionowe	220-240 V
Częstotliwość znamionowa	50 Hz
Znamionowa moc wejściowa	1345 W
Prąd znamionowy	6,0 A
Wydajność chłodzenia	3500 W (12000 Btu/h)
Usuwanie wilgoci (l/h)	1,2
Przepływ powietrza	320 m ³ /h

ERP – INFORMACJE

	Wartość
Znak towarowy	Emerio
Określenie modelu	PAC-127068.1
Poziom hałasu (chłodzenie)	≤65 dB(A)
Nazwa czynnika chłodniczego	R290 (0,215 kg)
Znamionowa moc wejściowa chłodzenia (kW)	1,345
Współczynnik efektywności energetycznej	2,6
GWP (kgCO ₂ eq)	3
Klasa efektywności energetycznej	A
Pobór energii dla urządzeń dwukanałowych (kWh/h)	n.d.
Pobór energii dla urządzeń jednokanałowych (kWh/h)	1,345
Pobór energii w trybie wyłączonego termostatu (W)	n.d.
Pobór energii w trybie gotowości (W)	0,5 W
Wydajność chłodzenia	3500 W

Wycieki czynnika chłodzącego przyczyniają się do zmian klimatu. W przypadku dostania się do atmosfery, czynnik chłodniczy o niższym całkowitym potencjale tworzenia efektu cieplarnianego (GWP) w mniejszym stopniu przyczyniałby się do globalnego ocieplenia niż czynnik chłodniczy o wyższym GWP. Urządzenie zawiera czynnik chłodniczy o GWP równym 3. Oznacza to, że jeżeli 1 kg owego czynnika chłodniczego ulotni się do atmosfery, wówczas wpływ na globalne ocieplenie będzie 3 razy wyższy niż wpływ 1 kg CO₂ w okresie 100 lat. Nigdy nie należy próbować samodzielnie ingerować w obwód z czynnikiem chłodniczym ani samodzielnie rozmontowywać produkt – należy zawsze poprosić o pomoc profesjonalistę.

#Zużycie energii 1,345 kWh w przypadku modelu PAC-127068.1 w czasie 60 minut użytkowania w standardowych warunkach testowych. Faktyczne zużycie energii zależy od sposobu używania urządzenia oraz od miejsca, w którym jest ono ustawione.

W celu uzyskania dodatkowych informacji, prosimy o kontakt:

Emerio B.V. Oudeweg 115 2031 CC Haarlem The Netherlands	Customer service: T: +31 (0) 23 3034369 www.emerio.eu/service	Kundeninformation: T: +49 (0) 3222 1097 600 www.emerio.eu/service	Klantenservice: T: +31 (0) 23 3034369 www.emerio.eu/service
---	---	---	---

GWARANCJA I SERWIS KONSUMENCKI

Przed dostarczeniem do klienta nasze urządzenia poddawane są rygorystycznej kontroli jakości. Jeśli, pomimo wszelkich starań, podczas produkcji lub transportu pojawi się uszkodzenie, należy zwrócić urządzenie do sprzedawcy. Dodatkowo do stosowanych powszechnie przepisów, nabywca ma prawo do reklamacji na podstawie warunków niniejszej gwarancji:

Dla każdego zakupionego urządzenia zapewniamy 2 lata gwarancji, poczynając od dnia zakupu. Uszkodzony produkt można zwrócić bezpośrednio w punkcie zakupu.

Niniejsza gwarancja nie obejmuje uszkodzeń spowodowanych niewłaściwą obsługą urządzenia, usterek w wyniku modyfikacji i napraw wykonanych przez strony trzecie lub w wyniku użycia nieoryginalnych części. Należy zachować dowód zakupu, który jest jedyną podstawą złożenia roszczenia gwarancyjnego. Producent nie ponosi odpowiedzialności za uszkodzenia powstałe w wyniku nieprzestrzegania instrukcji obsługi. Powoduje to unieważnienie gwarancji. Producent nie ponosi odpowiedzialności za szkody materiałowe ani obrażenia ciała spowodowane niewłaściwą obsługą urządzenia i nieprzestrzeganiem instrukcji obsługi. Uszkodzenie akcesoriów nie oznacza bezpłatnej wymiany całego urządzenia. W takim wypadku prosimy o kontakt z naszym serwisem. Stłuczone elementy szklane lub pęknięte elementy plastikowe są wymieniane za opłatą. Uszkodzenia materiałów eksploatacyjnych lub części podlegających zużyciu, a także czyszczenie, konserwacja i wymiana wspomnianych części nie jest objęta gwarancją i podlega opłacie.

USUWANIE PRZYJAZNE ŚRODOWISKU



Recykling – Dyrektywa europejska nr 2012/19/UE

Ten znak oznacza, że urządzenia nie należy wyrzucać razem z innymi odpadami domowymi. Aby zapobiec możliwym szkodom dla środowiska i zdrowia ludzi spowodowanym niekontrolowaną

utylizacją odpadów, poddaj produkt procesowi recyklingu w celu promowania zrównoważonego ponownego wykorzystywania zasobów materiałowych. Aby zwrócić zużyte urządzenie, skorzystaj z systemu oddawania zużytych produktów lub skontaktuj się ze sprzedawcą. Sprzedawca może przyjąć produkt w celu przeprowadzenia bezpiecznego dla środowiska recyklingu.



BATERIĘ NALEŻY ODPOWIEDNIO ZUTYLIZOWAĆ LUB PODDAĆ RECYKLINGOWI. NIE OTWIERAĆ. NIE WRZUCAĆ DO OGNIA, NIE ZWIERAĆ STYKÓW.

Emerio B.V.
Oudeweg 115
2031 CC Haarlem
The Netherlands

Customer service:
T: +31 (0) 23 3034369
www.emerio.eu/service

Kundeninformation:
T: +49 (0) 3222 1097 600
www.emerio.eu/service

Klantenservice:
T: +31 (0) 23 3034369
www.emerio.eu/service

Looking for spare parts? Have a look at www.spareparts.emerio.eu

Sie brauchen Ersatzteile? Besuchen Sie www.ersatzteile.emerio.eu

Onderdelen nodig? Kijk op www.onderdelen.emerio.eu

INSTRUKCJA NAPRAWY URZĄDZEŃ ZAWIERAJĄCYCH CZYNNIK CHŁODNICZY R290

1. Serwisowanie

1) Kontrole na miejscu

Aby do minimum ograniczyć ryzyko zapłonu, przed rozpoczęciem prac przy systemach zawierających łatwopalne czynniki chłodnicze konieczne są kontrole bezpieczeństwa. W przypadku naprawy układu chłodzącego, przed przystąpieniem do pracy przy systemie należy zastosować następujące środki ostrożności.

2) Procedura pracy

Aby zminimalizować ryzyko występowania łatwopalnych gazów lub oparów w czasie wykonywania prac, prace należy podejmować zgodnie z kontrolowaną procedurą.

3) Miejsce wykonywania pracy – ogólnie

Wszyscy pracownicy zajmujący się konserwacją oraz inni pracujący w pobliżu powinni zostać poinstruowani o charakterze wykonywanych prac. Należy unikać wykonywania prac w ciasnych miejscach. Otoczenie miejsca wykonywania prac należy wydzielić. Poprzez kontrole materiałów łatwopalnych należy pilnować, aby warunki w obrębie miejsca wykonywania prac były bezpieczne.

4) Sprawdzenie obecności czynnika chłodniczego

Aby mieć gwarancję, że technik ma świadomość potencjalnie łatwopalnej atmosfery, przed rozpoczęciem i w czasie wykonywania pracy, miejsce pracy należy sprawdzić odpowiednim detektorem czynnika chłodniczego. Należy dopilnować, aby używane urządzenie do wykrywania nieszczelności nadawało się do używania do łatwopalnych czynników chłodniczych, tj. nie może ono powodować iskrzenia, musi być odpowiednio szczelnie zamknięte lub bezpieczne samo z siebie.

5) Obecność gaśnicy

Jeżeli przy urządzeniu chłodzącym lub elementach z nim powiązanych mają być wykonywane jakiegokolwiek prace powodujące wytwarzanie się ciepła, należy mieć pod ręką odpowiedni sprzęt gaśniczy. W pobliżu miejsca nabijania instalacji należy mieć suchą gaśnicę proszkową lub CO₂.

6) Brak źródeł zapłonu

Żadna osoba wykonująca prace dotyczące instalacji chłodzącej, w czasie których dochodzi do odstonięcia jakiegokolwiek rury z łatwopalnym czynnikiem chłodniczym nie może używać jakichkolwiek źródeł zapłonu w sposób, który mógłby powodować ryzyko wystąpienia pożaru lub wybuchu. Wszystkie możliwe źródła zapłonu, w tym zapalone papierosy, należy trzymać w wystarczającej odległości od miejsca instalacji, naprawy, usuwania i utylizacji, w czasie których łatwopalny czynnik chłodniczy można wypuścić do otoczenia. Przed wykonaniem pracy miejsce wokół urządzenia należy skontrolować, tak aby mieć pewność, że nie ma w nim żadnych łatwopalnych zagrożeń ani ryzyk zapłonu. Należy stosować znaki „No Smoking” („Zakaz palenia”).

7) Wentylacja na miejscu

Przed dostaniem się do instalacji lub wykonaniem jakiegokolwiek pracy na gorąco, należy pilnować, aby miejsce pracy znajdowało się na dworze lub aby miało zapewnioną dobrą wentylację. W czasie wykonywania pracy wentylacja będzie kontynuowana. Wentylacja powinna bezpiecznie rozprowadzić jakiegokolwiek ewentualne ilości wypuszczonego czynnika chłodniczego, a najlepiej, aby usunęła go na zewnątrz do atmosfery.

8) Sprawdzenie instalacji z czynnikiem chłodniczym

W przypadku wymiany podzespołów elektronicznych, muszą one nadawać się do tego celu i posiadać prawidłową specyfikację. Należy zawsze przestrzegać wytycznych producenta w sprawie konserwacji i serwisowania. W razie wątpliwości, w celu uzyskania pomocy należy skonsultować się z działem technicznym producenta.

W instalacjach z łatwopalnym czynnikiem chłodniczym należy przeprowadzić następujące kontrole:

- Zastosowana ilość czynnika chłodniczego jest dostosowana do wielkości pomieszczenia, w którym są zainstalowane części zawierające czynnik chłodniczy;
- Części mechaniczne i wyloty wentylacji działają w prawidłowy sposób i nie są zablokowane;
- Jeśli stosowany jest niebezpośredni obwód z czynnikiem chłodniczym, należy skontrolować drugi obwód pod kątem występowania w nim czynnika chłodniczego;
- Oznakowanie urządzenia jest nadal widoczne i czytelne. Nieczytelne oznakowanie i znaki należy poprawić;

- Przewód lub podzespoły czynnika chłodniczego są zainstalowane w pozycji, w której mało prawdopodobne jest ich narażenie na działanie substancji, które mogłyby doprowadzić do skorodowania podzespołów zawierających czynnik chłodniczy, chyba że podzespoły te są zbudowane z materiałów, które z samej swojej natury są odporne na korozję lub są zabezpieczone przed korozją.

9) Kontrole urządzeń elektrycznych

Naprawa i czynności konserwacyjne podzespołów elektrycznych powinny obejmować wstępne kontrole bezpieczeństwa i procedury sprawdzania podzespołów. Jeżeli wystąpi usterka, która mogłaby stanowić zagrożenie dla bezpieczeństwa, wówczas zanim usterka ta nie zostanie w satysfakcjonujący sposób usunięta do obwodu nie należy podłączać jakiegokolwiek zasilania. Jeżeli usterki nie da się usunąć natychmiast, ale system musi kontynuować pracę, wówczas należy wykorzystać odpowiednie rozwiązanie tymczasowe. Fakt ten należy zgłosić właścicielowi urządzenia, tak aby zostały o tym poinformowane wszystkie zainteresowane osoby. Początkowe kontrole bezpieczeństwa powinny obejmować:

- Rozładowanie kondensatorów: powinno się ono odbywać w bezpieczny sposób, tak aby uniknąć możliwości iskrzenia;
- Brak podzespołów elektrycznych pod napięciem, okablowanie nie jest narażone podczas nabijania czynnika chłodniczego, odzyskiwania go i czyszczenia instalacji;
- Sprawdzenie ciągłości uziemienia.

2. Naprawy szczelnie zamkniętych podzespołów

1) W czasie napraw szczelnie zamkniętych podzespołów, przed zdjęciem uszczelnionych osłon, pokryw itp. od naprawianego urządzenia należy odłączyć wszystkie elektryczne źródła zasilania. Jeżeli podczas serwisowania posiadanie zasilania elektrycznego urządzenia jest absolutnie konieczne, wówczas w najbardziej krytycznym punkcie należy zainstalować działający non-stop układ wykrywania upływów, który ostrzeże o potencjalnie niebezpiecznych sytuacjach.

2) Aby wskutek wykonywania prac przy podzespołach elektrycznych obudowa nie została naruszona w sposób wpływający na poziom ochrony, należy zwrócić szczególną uwagę na następujące kwestie. Dotyczy to uszkodzenia kabli, zbyt dużej liczby połączeń, wyprowadzeń wykonanych niezgodnie z pierwotną specyfikacją, uszkodzenia uszczelki, nieprawidłowego zamontowania dławików itp.

Dopilnować, aby urządzenie było zamontowane w bezpieczny sposób. Dopilnować, aby uszczelki lub materiały uszczelniające nie były zużyte w takim stopniu, że nie spełniałyby już swojej funkcji zabezpieczania przed przepuszczaniem łatwopalnych gazów. Wymiana części musi się odbywać zgodnie ze specyfikacją producenta.

UWAGA: Używanie uszczelki silikonowej może ograniczać skuteczność działania niektórych rodzajów urządzeń do wykrywania nieszczelności. Podzespoły bezpieczne same z siebie nie muszą być izolowane przed przystąpieniem do wykonywania przy nich prac.

3. Naprawy podzespołów bezpiecznych samych z siebie

Bez zagwarantowania, że nie spowodują one przekroczenia napięcia i prądu dopuszczalnego podczas używania urządzenia, do obwodu nie należy podłączać jakichkolwiek stałych obciążeń indukcyjnych lub pojemnościowych. Podzespoły bezpieczne same z siebie są jedynym rodzajem podzespołów, przy których można pracować pod napięciem i w obecności łatwopalnych gazów w powietrzu. Urządzenie testujące musi mieć odpowiedni zakres pracy. Podzespoły należy wymieniać tylko na części określone przez producenta. Inne części mogłyby doprowadzić do zapalenia się czynnika chłodniczego przedostającego się do powietrza wskutek nieszczelności.

4. Okablowanie

Należy sprawdzić, czy okablowanie nie jest narażone na zużycie, korozję, nadmierne obciążenie, drgania, kontakt z ostrymi krawędziami lub jakiegokolwiek inne szkodliwe wpływy środowiskowe. Kontrola powinna także uwzględniać wpływ starzenia się lub ciągłego narażenia na drgania powodowanego przez elementy takie jak kompresory lub wentylatory.

5. Wykrywanie łatwopalnych czynników chłodniczych

Do poszukiwania lub wykrywania nieszczelności instalacji z czynnikiem chłodniczym nie wolno w żadnym wypadku używać rozwiązań stanowiących potencjalne źródła iskrzenia. Nie wolno stosować lamp halogenkowych (ani jakichkolwiek innych detektorów wykorzystujących nieosłonięty płomień).

6. Metody wykrywania nieszczelności

Następujące metody wykrywania nieszczelności uznaje się za dopuszczalne w przypadku instalacji zawierających łatwopalny czynnik chłodniczy.

Do wykrywania łatwopalnych czynników chłodniczych można używać elektronicznych wykrywaczy nieszczelności, ale ich czułość może nie być wystarczająca lub mogą one wymagać ponownej kalibracji. (Urządzenia wykrywające należy kalibrować w miejscu, w którym czynnik chłodniczy nie występuje.) Należy pilnować, aby wykrywacz nie stanowił potencjalnego źródła zapłonu i aby nadawał się do stosowanego czynnika chłodniczego. Urządzenie wykrywające nieszczelności należy ustawić na wartość procentową LFL czynnika chłodniczego i skalibrować na stosowany czynnik chłodniczy. Odpowiednia wartość procentowa gazu (maks. 25%) zostanie potwierdzona. Do większości czynników chłodniczych można stosować płyny wykrywające nieszczelności, jednak należy wtedy unikać stosowania detergentów zawierających chlor, ponieważ chlor może reagować z czynnikiem chłodniczym i może prowadzić do korozji instalacji wykonanej z rur miedzianych. Jeśli istnieje podejrzenie występowania jakiejś nieszczelności, należy usunąć/zgasić wszystkie otwarte płomienie. Jeśli zostanie wykryta nieszczelność instalacji z czynnikiem chłodniczym, a jej usunięcie wymaga lutowania, z instalacji należy odzyskać cały czynnik chłodniczy lub należy go odizolować (zaworami odcinającymi) w części instalacji znajdującej się z dala od nieszczelności. Przed lutowaniem i w czasie lutowania przez instalację należy przepompowywać azot beztlenowy (OFN).

7. Usuwanie i odpompowywanie powietrza, wilgoci i gazów niekondensujących

Kiedy trzeba się dostać do obwodu z czynnikiem chłodniczym – aby dokonać naprawy lub w innym celu – należy stosować procedury konwencjonalne. Jednakże, z uwagi na łatwopalność, ważne jest, aby stosować najlepsze praktyki. Należy więc przestrzegać następującej procedury postępowania:

- Usunąć czynnik chłodniczy;
- Przedmuchać obwód gazem obojętnym;
- Odpompować powietrze, wilgoć i gazy niekondensujące;
- Ponownie przedmuchać gazem obojętnym;
- Otworzyć obwód – przeciąć go lub rozlutować.

Czynnik chłodniczy należy odpompować do odpowiednich butli. Aby ją zabezpieczyć, instalacja zostanie „przełukana” za pomocą OFN. Procedurę tę będzie być może trzeba kilkakrotnie powtórzyć. Do wykonania tego zadania nie należy używać sprężonego powietrza ani tlenu. Przełukiwanie powinno polegać na wpompowaniu do instalacji OFN i napełnieniu jej do ciśnienia roboczego, następnie spuszczeniu gazu do atmosfery i w końcu odpompowaniu powietrza. Procedurę tę należy powtarzać aż do momentu, gdy w instalacji nie będzie już w ogóle czynnika chłodniczego. Po ostatecznym napełnieniu instalacji OFN, gaz należy spuścić z instalacji tak, aby uzyskać w instalacji ciśnienie atmosferyczne i aby można było wykonać potrzebne prace. W przypadku lutowania przewodów rurowych operacja ta jest absolutnie kluczowa. Należy dopilnować, aby wylot z pompy próżniowej nie znajdował się w pobliżu jakichkolwiek źródeł zapłonu i aby dostępna była odpowiednia wentylacja.

8. Procedura nabijania instalacji

Oprócz konwencjonalnych procedur nabijania instalacji, należy spełnić następujące wymagania.

- Podczas używania urządzeń nabijających należy pilnować, aby nie doszło do wzajemnego zanieczyszczenia się różnych czynników chłodniczych. Wężę i przewody powinny być ja najkrótsze, aby ograniczyć do minimum ilość znajdującego się w nich czynnika chłodniczego.

- Butle należy trzymać w pozycji pionowej.
- Należy pilnować, aby instalacja z czynnikiem chłodniczym została przed jej nabiciem uziemiona.
- Po zakończeniu nabijania czynnikiem chłodniczym, instalację należy oznakować etykietą (o ile nie zostało to zrobione wcześniej).
- Należy bardzo uważać, aby nie przepętnić instalacji chłodniczej.

Przed nabiciem instalacji chłodniczej należy sprawdzić ją pod ciśnieniem za pomocą OFN. Po zakończeniu nabijania, ale przed oddaniem do użytku, należy sprawdzić szczelność instalacji. Przed opuszczeniem miejsca wykonywania prac należy przeprowadzić dodatkowe badanie szczelności.

9. Zakończenie użytkowania

Przed wykonaniem tej procedury należy koniecznie upewnić się, że technik doskonale i z wszystkimi szczegółami zna urządzenie. Jako dobrą praktykę zaleca się bezpieczne odzyskiwanie wszystkich czynników chłodniczych. Przed przystąpieniem do wykonywanego zadania należy pobrać próbki oleju i czynnika chłodniczego na wypadek, gdyby przed ponownym użyciem odzyskanego czynnika było przeprowadzenie ich analizy. Bardzo ważne jest, aby przed rozpoczęciem wykonywania zadania zagwarantować dostęp zasilania elektrycznego.

- a) Należy zapoznać się z urządzeniem i jego działaniem.
- b) Instalację należy zaizolować elektrycznie.
- c) Przed podjęciem próby wykonania procedury, należy dopilnować, aby:
 - Były dostępne urządzenia do obsługi mechanicznej, o ile są one potrzebne do butli z czynnikiem chłodniczym;
 - Były dostępne i prawidłowo używane wszystkie środki ochrony indywidualnej;
 - Proces odzyskiwania był przez cały czas nadzorowany przez kompetentną osobę;
 - Urządzenia i butle do odzyskiwania spełniały odpowiednie normy.
- d) Jeśli to możliwe, z instalacji należy odpompować czynnik chłodniczy.
- e) Jeśli nie da się uzyskać próżni, należy wykonać rozgałęzienia, tak aby czynnik chłodniczy można było odpompować z różnych części instalacji.
- f) Przed rozpoczęciem procesu odzyskiwania czynnika chłodniczego należy dopilnować, aby butla została ustawiona na wadze.
- g) Włączyć maszynę odzyskującą i postępować zgodnie z instrukcjami producenta.
- h) Nie należy przepętniać butli. (Należy ją napełnić w nie więcej niż 80% objętości ciekłego czynnika chłodniczego).
- i) Nie należy przekraczać maksymalnego ciśnienia roboczego w butli, nawet przez chwilę.
- j) Po prawidłowym napełnieniu butli i po zakończeniu procedury należy się upewnić, że butle zostały usunięte i odsunięte z instalacji i że wszystkie zawory izolacyjne są zamknięte.
- k) Odzyskanego czynnika chłodniczego nie używać w innych instalacjach chłodniczych, chyba że zostanie on oczyszczony i sprawdzony.

10. Etykietowanie

Urządzenie należy oznaczyć etykietą stwierdzającą, że zostało ono wycofane z użytkowania i opróżnione z czynnika chłodniczego. Etykieta powinna mieć datę i podpis. Należy pilnować, aby na urządzeniu znajdowała się etykieta z informacją, że zawiera ono łatwopalny czynnik chłodniczy.

11. Odzyskiwanie

Podczas odzyskiwania czynnika chłodniczego z instalacji bądź w celu serwisowania, bądź przed zakończeniem użytkowania zaleca się jako dobrą praktykę bezpieczne usuwanie całego czynnika chłodniczego. Przy przenoszeniu czynnika chłodniczego do butli należy używać odpowiednich butli do odzysku czynników chłodniczych. Należy dopilnować, aby dostępna była wystarczająca liczba butli na cały czynnik chłodniczy.

Wszystkie butle, które będą używane są przeznaczone na odzyskiwany czynnik chłodniczy i odpowiednio oznaczone (tj. specjalne butle do odzysku danego czynnika chłodniczego). Butle powinny być wyposażone w zawór upustowy oraz sprawne zawory odcinające. Puste butle do odzysku czynnika chłodniczego należy usuwać, a przed odzyskiem w miarę możliwości schładzać. Urządzenia do odzysku muszą być sprawne i w dobrym stanie i muszą posiadać dołączone do nich instrukcje; urządzenia te muszą też być dostosowane do odzyskiwania czynników łatwopalnych. Dodatkowo, musi być dostępny zestaw skalibrowanych wag – w pełni sprawnych i w dobrym stanie. Węże powinny być wyposażone w sprawne łączówki umożliwiające szczelne rozłączanie. Przed użyciem maszyny do odzysku należy sprawdzić, czy jest ona sprawna i czy jej stan jest zadowalający, czy była prawidłowo serwisowana i czy podzespoły elektryczne są szczelnie zamknięte, co zabezpiecza przed zapłonem czynnika chłodniczego w przypadku jego ulatniania się. W razie wątpliwości należy skonsultować się z producentem. Odzyskany czynnik chłodniczy należy zwrócić do dostawcy czynnika w odpowiedniej butli do odzysku oraz z odpowiednim dokumentem poświadczającym przekazanie odpadów. Nie należy mieszać między sobą czynników chłodniczych w butlach. Jeśli mają być usunięte kompresor lub olej z kompresora, należy dopilnować, aby zostały one usunięte do akceptowalnego poziomu, tak aby mieć pewność, że łatwopalny czynnik chłodniczy nie pozostał w smarze. Przed zwróceniem kompresora dostawcom należy przeprowadzić procedurę odpompowania powietrza, wilgoci i gazów niekondensujących. W celu przyspieszenia procesu można stosować tylko ogrzewanie elektryczne. Gdy z instalacji będzie spuszczaany olej, należy to wykonać bezpiecznie.

Kompetencje pracowników serwisu

Kwestie ogólne

W przypadku urządzeń, w których stosowany jest łatwopalny czynnik chłodniczy, oprócz szkolenia nt. zwykłych procedur naprawy urządzeń chłodzących wymagane jest specjalne szkolenie dodatkowe.

W wielu krajach szkolenie to jest prowadzone przez organizacje szkoleniowe o zasięgu krajowym, posiadające akredytację do prowadzenia szkoleń z zakresu odpowiednich kompetencji i standardów, które mogą być określone w przepisach prawa.

Uzyskany poziom kompetencji powinien być udokumentowany certyfikatem.

Szkolenie

Szkolenie powinno obejmować następujące elementy:

Informacje o możliwości wybuchu łatwopalnych czynników chłodniczych pokazujące, że nieuważne obchodzenie się z substancjami łatwopalnymi może być niebezpieczne.

Informacje o możliwych źródłach zapłonu, zwłaszcza zaś takich, które nie są oczywiste, jak np. zapalniczki, przełączniki oświetlenia, odkurzacze i grzejniki elektryczne.

Informacje o różnych koncepcjach bezpieczeństwa:

Bez wentylacji – Bezpieczeństwo urządzenia nie zależy od wentylacji obudowy. Wyłączenie urządzenia lub otwarcie obudowy nie ma istotnego wpływu na bezpieczeństwo. Jest jednak możliwe, że ulatniający się czynnik chłodniczy może zbierać się wewnątrz obudowy i że po otwarciu obudowy zostaną z niej wypuszczone łatwopalne wyziewy.

Wentylowana obudowa – Bezpieczeństwo urządzenia zależy od wentylacji obudowy. Wyłączenie urządzenia lub otwarcie obudowy ma istotny wpływ na bezpieczeństwo. Należy pilnować, aby zawczasu zapewnić wystarczającą wentylację.

Wentylowane pomieszczenie – Bezpieczeństwo urządzenia zależy od wentylacji pomieszczenia. Wyłączenie urządzenia lub otwarcie obudowy nie ma istotnego wpływu na bezpieczeństwo. Na czas wykonywania procedur związanych z naprawą nie należy wyłączać wentylacji pomieszczenia.

Informacje na temat koncepcji zamkniętych szczelnie podzespołów i zamkniętych szczelnie obudów zgodnie z normą IEC 60079-15:2010.

Informacje na temat prawidłowych procedur wykonywania pracy:

a) Oddanie do użytkowania

- Dopilnować, aby zastosowana ilość czynnika chłodniczego była wystarczająca w stosunku do powierzchni pomieszczenia i aby wąż wentylacyjny był zamontowany w prawidłowy sposób.

- Przed napełnieniem układu czynnikiem chłodniczym, połączyć rury i przeprowadzić próbę szczelności.
 - Przed oddaniem do użytkowania sprawdzić działanie mechanizmów zabezpieczających.
- b) Konserwacja
- Urządzenia przenośne należy naprawiać na dworze lub w warsztacie specjalnie wyposażonym pod kątem serwisowania urządzeń zawierających łatwopalny czynnik chłodniczy.
 - W miejscu wykonywania naprawy należy zapewnić wystarczającą wentylację.
 - Należy zdawać sobie sprawę z tego, że nieprawidłowe działanie urządzenia może być spowodowane ubytkiem czynnika chłodniczego oraz że instalacja może być nieszczelna.
 - Kondensatory należy rozładowywać w sposób niepowodujący iskrzenia. Standardowa procedura zwierania wyprowadzeń kondensatora zazwyczaj prowadzi do iskrzenia.
 - Szczelnie zamknięte obudowy należy starannie i dokładnie zamknąć. Jeśli uszczelki są zużyte, należy je wymienić.
 - Przed oddaniem do użytkowania sprawdzić działanie mechanizmów zabezpieczających.
- c) Naprawa
- Urządzenia przenośne należy naprawiać na dworze lub w warsztacie specjalnie wyposażonym pod kątem serwisowania urządzeń zawierających łatwopalny czynnik chłodniczy.
 - W miejscu wykonywania naprawy należy zapewnić wystarczającą wentylację.
 - Należy zdawać sobie sprawę z tego, że nieprawidłowe działanie urządzenia może być spowodowane ubytkiem czynnika chłodniczego oraz że instalacja może być nieszczelna.
 - Kondensatory należy rozładowywać w sposób niepowodujący iskrzenia.
 - Jeśli trzeba coś zlutować, należy w odpowiedniej kolejności wykonać następujące procedury :
 - Usunąć czynnik chłodniczy. Jeśli przepisy krajowe nie wymagają jego odzyskania, czynnik chłodniczy należy spuścić na zewnątrz. Uważać, aby spuszczonego czynnika chłodniczego nie powodował zagrożenia. W razie wątpliwości jedna osoba powinna pilnować wylotu. Zwrócić szczególną uwagę na to, aby spuszczonego czynnika chłodniczego nie dostał się z powrotem do budynku.
 - Z obwodu czynnika chłodniczego odpompować powietrze, wilgoć i gazy niekondensujące.
 - Przez 5 minut płukać obwód czynnika chłodniczego azotem.
 - Ponownie odpompować.
 - W celu usunięcia części, które wymagają usunięcia, odciąć je, nie zaś używać płomienia.
 - W czasie procedury lutowanie przedmuchać miejsce lutowania azotem.
 - Przed napełnieniem układu czynnikiem chłodniczym, wykonać próbę szczelności.
 - Szczelnie zamknięte obudowy należy starannie i dokładnie zamknąć. Jeśli uszczelki są zużyte, należy je wymienić.
 - Przed oddaniem do użytkowania sprawdzić działanie mechanizmów zabezpieczających.
- d) Zakończenie użytkowania
- Jeżeli w grę wchodzi bezpieczeństwo, czynnik chłodniczy należy usunąć przed zakończeniem użytkowania.
 - W miejscu, w którym znajduje się urządzenie należy zapewnić wystarczającą wentylację.
 - Należy zdawać sobie sprawę z tego, że nieprawidłowe działanie urządzenia może być spowodowane ubytkiem czynnika chłodniczego oraz że instalacja może być nieszczelna.
 - Kondensatory należy rozładowywać w sposób niepowodujący iskrzenia.
 - Usunąć czynnik chłodniczy. Jeśli przepisy krajowe nie wymagają jego odzyskania, czynnik chłodniczy należy spuścić na zewnątrz. Uważać, aby spuszczonego czynnika chłodniczego nie powodował zagrożenia. W razie wątpliwości jedna osoba powinna pilnować wylotu. Zwrócić szczególną uwagę na to, aby spuszczonego czynnika chłodniczego nie dostał się z powrotem do budynku.
 - Z obwodu czynnika chłodniczego odpompować powietrze, wilgoć i gazy niekondensujące.
 - Przez 5 minut płukać obwód czynnika chłodniczego azotem.
 - Ponownie odpompować.

- Napełnić azotem pod ciśnieniem atmosferycznym.
 - Założyć na urządzenie etykietę z informacją o tym, że czynnik chłodniczy został już usunięty.
- e) Utylizacja
- Zapewnić wystarczającą wentylację w miejscu wykonywania pracy.
 - Usunąć czynnik chłodniczy. Jeśli przepisy krajowe nie wymagają jego odzyskania, czynnik chłodniczy należy spuścić na zewnątrz. Uważać, aby spuszczonego czynnika chłodniczego nie powodował zagrożenia. W razie wątpliwości jedna osoba powinna pilnować wylotu. Zwrócić szczególną uwagę na to, aby spuszczonego czynnika chłodniczego nie dostał się z powrotem do budynku.
 - Z obwodu czynnika chłodniczego odpompować powietrze, wilgoć i gazy niekondensujące.
 - Przez 5 minut płukać obwód czynnika chłodniczego azotem.
 - Ponownie odpompować.
 - Wyciąć kompresor i spuścić olej.

Transport, oznaczanie i przechowywanie urządzeń, w których używane są łatwopalne czynniki chłodnicze

Transport urządzeń zawierających łatwopalne czynniki chłodnicze

Należy zwrócić uwagę na to, że mogą istnieć dodatkowe przepisy w sprawie transportu urządzeń zawierających łatwopalny czynnik chłodniczy. Maksymalna liczba urządzeń lub konfiguracja urządzeń, które wolno przewozić razem zostanie określona przez stosowne przepisy transportowe.

Znakowanie urządzenia

Oznaczenia podobnych urządzeń używanych w miejscu pracy są na ogół określone przepisami lokalnymi, które wyznaczają minimalne wymagania w zakresie oznakowania BHP w miejscu pracy.

Wszystkie wymagane oznaczenia należy utrzymywać w dobrym stanie. Pracodawcy powinni pilnować, aby pracownicy otrzymali odpowiednie i wystarczające instrukcje i zostali przeszkoleni w zakresie znaczenia odpowiednich znaków BHP oraz działań, które należy podejmować w związku z tymi oznaczeniami.

Nie należy osłabiać skuteczności oznakowania poprzez umieszczanie razem zbyt dużej liczby znaków.

Wszelkie używane piktogramy powinny być maksymalnie proste i powinny zawierać tylko najważniejsze elementy.

Utylizacja urządzenia, w którym używane są łatwopalne czynniki chłodnicze

Patrz przepisy krajowe.

Przechowywanie sprzętu/urządzeń

Urządzenia należy przechowywać zgodnie z instrukcjami producenta.

Przechowywanie urządzenia w opakowaniu (przed sprzedażą)

Należy wykonać zabezpieczenie dzięki któremu mechaniczne uszkodzenie urządzenia w opakowaniu nie spowoduje wycieku czynnika chłodniczego.

Maksymalna liczba urządzeń, które wolno przechowywać razem zostanie określona przez przepisy lokalne.

INSTRUCCIONES DE SEGURIDAD

Antes de utilizar el producto, lea todas las instrucciones que se presentan a continuación para evitar lesiones personales y daños materiales y para obtener unos resultados óptimos del aparato. Asegúrese de mantener este manual en un lugar seguro. Si transfiere el aparato a otra persona, asegúrese de entregarle asimismo el presente manual.

La garantía quedará anulada en caso de daños causados por el incumplimiento por parte del usuario de las instrucciones incluidas en este manual. El fabricante/importador no aceptará ningún tipo de responsabilidad por daños causados por el incumplimiento de las presentes instrucciones o uso negligente o en desacuerdo con los requisitos de este manual.

1. Lea y guarde estas instrucciones. Atención: las imágenes del manual de instrucciones son apenas una referencia.
2. Este aparato puede ser utilizado por niños de 8 o más años de edad y personas con capacidades físicas, sensoriales o mentales reducidas o falta de experiencia y conocimientos si reciben supervisión o instrucciones sobre el uso del aparato de forma segura y comprenden los riesgos que implica.
3. Los niños no deben jugar con el aparato.
4. La limpieza y el mantenimiento por parte del usuario no deben ser realizados por niños sin supervisión.
5. Si el cable de alimentación está dañado, debe ser reemplazado por el fabricante, su agente de servicio o personas similarmente cualificadas para evitar riesgos.
6. Sólo para uso en interiores.
7. No utilice la unidad en una zona: cerca de una fuente de fuego; donde sea probable que salpique aceite; expuesta a la luz solar directa; donde sea probable que salpique agua; cerca de un baño, una lavandería, una ducha o una piscina.

8. No introduzca nunca los dedos ni varillas en la salida de aire. Tenga especial cuidado en advertir a los niños de estos peligros.
9. Mantenga la unidad hacia arriba durante el transporte y el almacenamiento, para que el compresor se ubique correctamente.
10. Antes de limpiar o trasladar el aparato, apáguelo y desconecte siempre la alimentación eléctrica.
11. Para evitar la posibilidad de que se produzca un incendio, el aparato no debe estar cubierto.
12. Todas las tomas de aire acondicionado deben cumplir los requisitos locales de seguridad eléctrica. Si es necesario, compruebe los requisitos.
13. El aparato debe instalarse de acuerdo con las normas nacionales de cableado.
14. Detalles del tipo y la capacidad de los fusibles: T, 250 V CA, 2 A o 3,15 A.
15. Póngase en contacto con un técnico de servicio autorizado para la reparación o el mantenimiento de esta unidad.
16. No tire, deforme ni modifique el cable de alimentación, ni lo sumerja en agua. Si se tira del cable de alimentación o se utiliza de forma incorrecta, se puede dañar la unidad y provocar una descarga eléctrica.
17. Deberá respetarse la normativa nacional en materia de gases.
18. El mantenimiento solo debe realizarse según las recomendaciones del fabricante del equipo. El mantenimiento y las reparaciones que requieran la asistencia de otro personal especializado se llevarán a cabo bajo la supervisión de la persona competente en el uso de refrigerantes inflamables.
19. No encienda ni pare el aparato insertando o sacando el enchufe, ya que puede producirse una descarga eléctrica o un incendio debido a la generación de calor.
20. Desenchufe la unidad si emite sonidos extraños, olor o humo.

21. Enchufe siempre el aparato a una toma de corriente con conexión a tierra.
22. Si se produce algún tipo de daño, apague el interruptor, desconecte la fuente de alimentación y póngase en contacto con un centro de servicio autorizado para su reparación.
23. No utilice medios para acelerar el proceso de descongelación o para limpiar, que no sean los recomendados por el fabricante.
24. El aparato debe almacenarse en una sala en la que no haya fuentes de ignición funcionando continuamente (por ejemplo: llamas abiertas, un aparato de gas en funcionamiento o un calentador eléctrico en funcionamiento).
25. No perforar ni quemar.
26. Tenga en cuenta que los refrigerantes pueden no contener olor.
27. Este aparato contiene gas refrigerante R290. El R290 es un gas refrigerante que cumple las directivas europeas sobre el medio ambiente. No perfora ninguna parte del circuito de refrigerante.
28. Si el aparato se instala, utiliza o almacena en un área sin ventilación, la sala debe estar diseñada para evitar la acumulación de fugas de refrigerante que provoquen un riesgo de incendio o explosión, debido a la ignición del refrigerante causada por calentadores eléctricos, estufas u otras fuentes de ignición.
29. El aparato debe almacenarse de forma que se eviten fallos mecánicos.
30. Las personas que operan o trabajan en el circuito de refrigerante deben contar con la certificación correspondiente emitida por una organización acreditada, que garantice la competencia en el manejo de refrigerantes según una evaluación específica reconocida por las asociaciones del sector.

31. Las reparaciones deben realizarse basándose en las recomendaciones de la empresa fabricante. El mantenimiento y las reparaciones que requieran la ayuda de otro personal cualificado deben realizarse bajo la supervisión de una persona especificada en el uso de refrigerantes inflamables.
32. Deje reposar siempre el aparato durante al menos 2 horas después de trasladarlo de un lugar a otro.
33. Consulte en los párrafos siguientes las instrucciones para reparar aparatos que contienen R290.



Advertencia: Riesgo de incendio / Materiales inflamables.



Lea los manuales de instrucciones.



Manual del usuario; instrucciones de funcionamiento.



Indicador de servicio; lea el manual técnico.

Advertencia: Mantenga las aberturas de ventilación libres de obstrucciones.

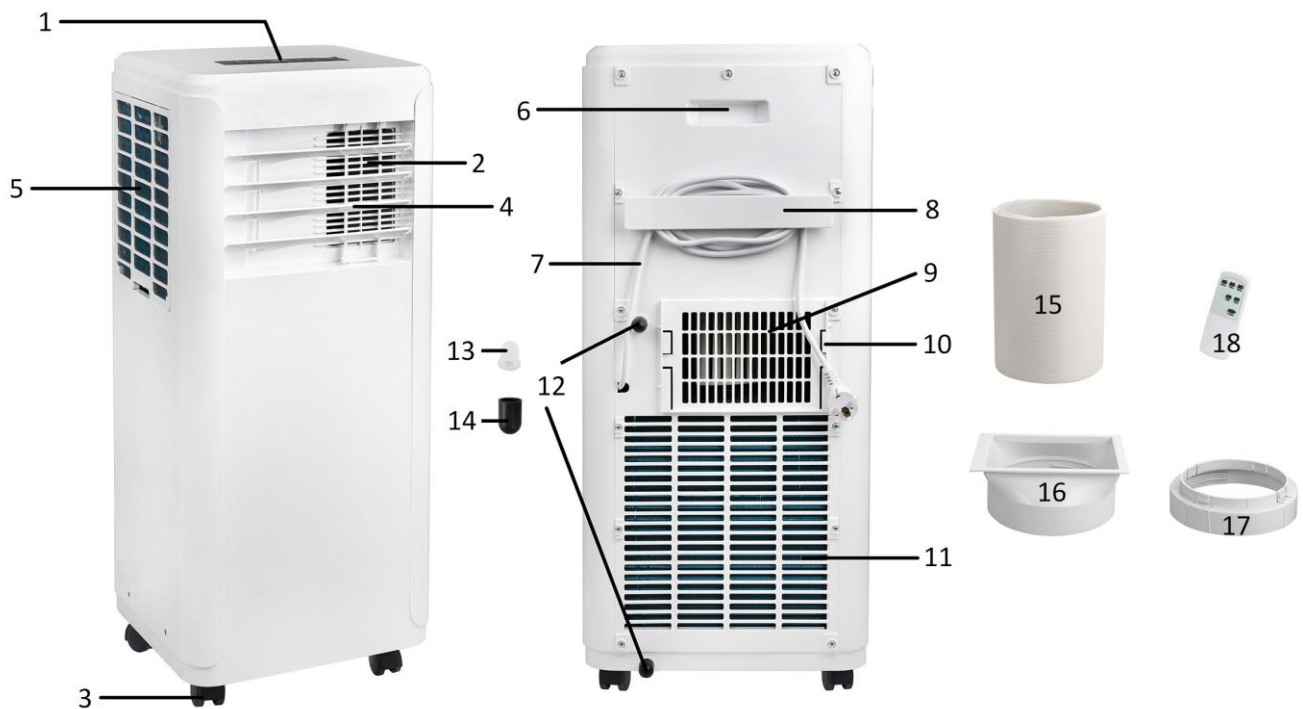
Advertencia: El aparato debe almacenarse en un área bien ventilada, en la cual el tamaño de la habitación corresponda al área de la habitación especificada para el funcionamiento. Todo procedimiento de trabajo que afecte a los medios de seguridad deberá ser realizado únicamente por personas competentes.

La distancia necesaria alrededor de la unidad debe ser de al menos 30 cm.

El aparato deberá instalarse, funcionar y almacenarse en una sala con una superficie mayor que X m².

MODELO	X (m²)	Modelo
5000Btu/h,7000Btu/h, 8000Btu/h	4	-
9000Btu/h,10000Btu/h, 10500Btu/h	12	-
12000Btu/h,14000Btu/h, 16000Btu/h,18000Btu/h	15	PAC-127068.1

DESCRIPCIÓN DE LOS COMPONENTES

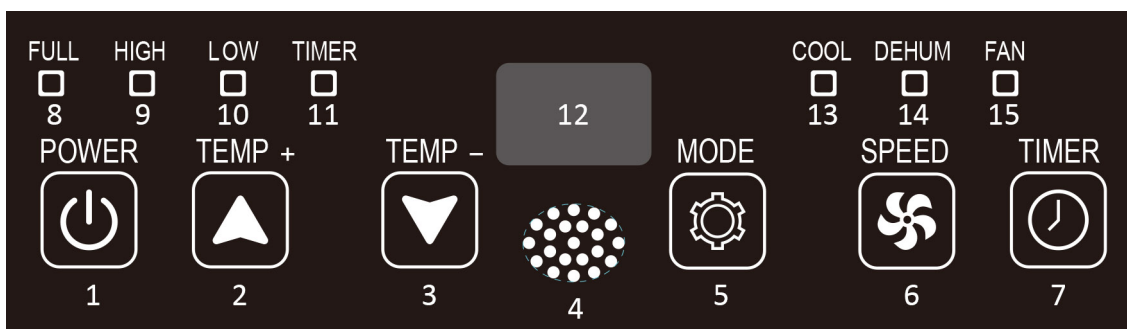


- | | |
|--|--|
| 1. Panel de control | (extremo del aparato de aire acondicionado) |
| 2. Salida de aire | 11. Entrada de aire |
| 3. Rueda | 12. Puerto de drenaje |
| 4. Lamas para controlar la dirección del viento hacia arriba y hacia abajo | 13. Tapón de goma para el puerto de drenaje |
| 5. Filtro de aire | 14. Manguito de goma |
| 6. Asa | 15. Manguera de salida de aire caliente |
| 7. Cable de alimentación | 16. Conector de manguera (extremo del aparato de aire acondicionado) |
| 8. Almacenamiento del cable de alimentación | 17. Conector de manguera (extremo de la ventana) |
| 9. Salida de aire caliente | 18. Mando a distancia |
| 10. Soporte para el conector de la manguera | |

Mando a distancia

Esta unidad dispone de un mando a distancia. Es necesario instalar dos pilas AAA de 1,5 V. Las funciones de los botones del mando a distancia son las mismas que las de los botones del panel de control.

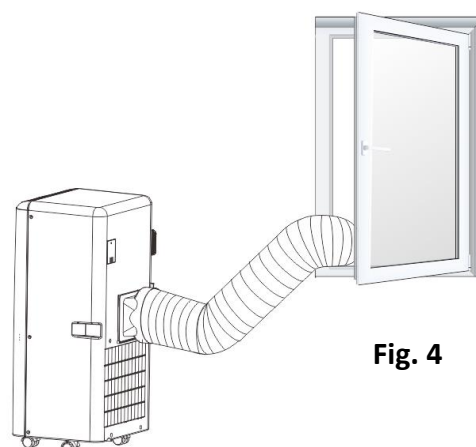
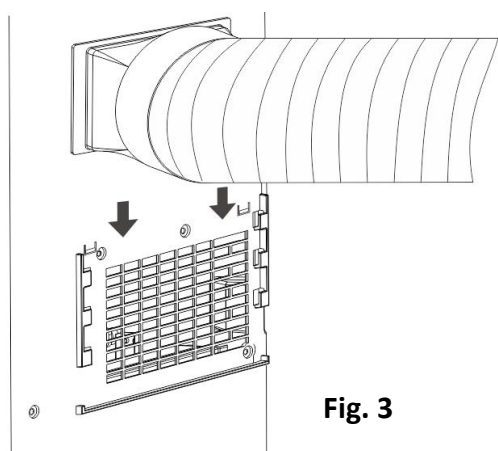
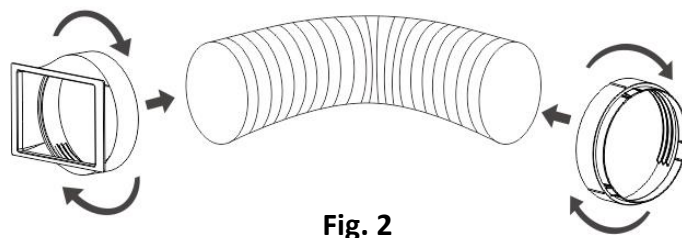
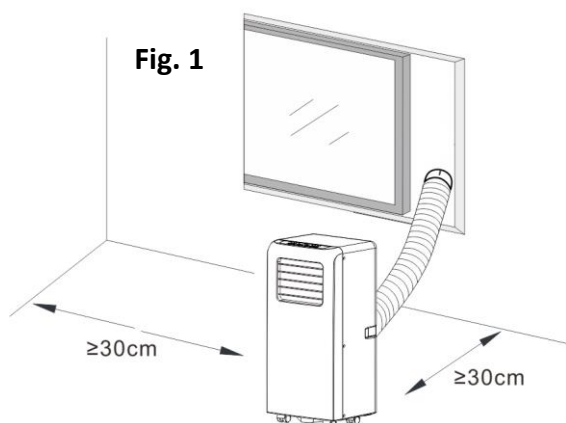
Panel de control



1. Botón de potencia
2. Botón de aumento de temperatura (temporizador)
3. Botón de disminución de temperatura (temporizador)
4. Ventana receptora de la señal del mando a distancia
5. Botón de modo
6. Botón de velocidad del viento
7. Botón de encendido/apagado del temporizador
8. Indicador luminoso de bandeja de agua llena
9. Indicador luminoso de alta velocidad
10. Indicador luminoso de baja velocidad
11. Indicador luminoso del temporizador
12. Pantalla digital
13. Indicador luminoso del modo de refrigeración
14. Indicador luminoso del modo de deshumidificación
15. Indicador luminoso del modo de ventilador

INSTALACIÓN (Las imágenes que aparecen a continuación sirven de guía para instalar el aparato. El aspecto del aparato puede ser diferente al del producto que usted ha adquirido).

- La unidad debe instalarse en una superficie plana, y donde la salida de aire no quede bloqueada. La distancia necesaria alrededor de la unidad debe ser de al menos 30 cm. (**Fig. 1**)
- La unidad no se debe instalar en un lavadero.
- Enrosque ambos conectores de manguera en la manguera de salida de aire caliente. (**Fig. 2**)
- Inserte el conector de manguera (extremo del aparato de aire acondicionado) en los soportes de la parte posterior de la unidad. (**Fig. 3**)
- Coloque el otro extremo de la manguera de salida en el alféizar de la ventana cercana. (**Fig. 4**)



MODO DE EMPLEO

Deje reposar siempre el aparato durante al menos 2 horas después de trasladarlo de un lugar a otro. Antes de usar el aparato, compruebe que la manguera de salida se haya montado correctamente. Enchufe el aparato.

1. Botón de potencia

Pulse el botón «POWER» para encender el aparato. El aparato comenzará a funcionar en el modo de refrigeración a baja velocidad del viento. Pulse de nuevo el botón para apagar el aparato.

2. Botón de aumento de temperatura (temporizador) y botón de disminución de temperatura (temporizador)

Pulse los botones «TEMP+»/«TEMP-» para ajustar la temperatura ambiente deseada de 16°C a 31°C. Los botones también se pueden utilizar para ajustar el temporizador de 1 a 24 horas durante la programación del temporizador. El valor aumentará/disminuirá en 1 (°C/hora) por cada pulsación. Manténgalo pulsado para un ajuste rápido.

Recuerde que: El aparato apagará el compresor (para la refrigeración) automáticamente cuando la temperatura ambiente alcance la temperatura ajustada. El compresor se encenderá automáticamente cuando la temperatura ambiente aumente por encima de la temperatura ajustada. El ventilador interior siempre está funcionando durante todo este proceso. Cuando el compresor está funcionando, la unidad vibrará ligeramente. Esto es normal e inocuo.

3. Botón de velocidad del viento

Pulse el botón «SPEED» para cambiar la velocidad del viento entre baja y alta. El indicador luminoso correspondiente «LOW»/«HIGH» se encenderá.

4. Botón de modo

Pulse el botón «MODE» para seleccionar el modo de trabajo deseado entre refrigeración, deshumidificación y ventilador.

- En el modo de refrigeración, se encenderá el indicador luminoso correspondiente «COOL». Pulse los botones «TEMP+»/«TEMP-» para ajustar la temperatura ambiente que desee. Pulse el botón «SPEED» para ajustar la velocidad del viento que desee.
- En el modo de deshumidificación, se encenderá el indicador luminoso correspondiente «DEHUM». El aparato ajustará automáticamente la temperatura de trabajo (2 °C por debajo de la temperatura ambiente actual) y fijará la velocidad del viento en baja. La temperatura y la velocidad del viento no se pueden ajustar manualmente.
- En el modo de ventilador, se encenderá el indicador luminoso correspondiente «FAN». Pulse el botón «SPEED» para cambiar la velocidad del viento entre baja y alta. Recuerde que: En este modo, no hay función de temperatura. En la pantalla digital se indica un valor que no significa nada.

5. Botón de encendido/apagado del temporizador

Programar el temporizador de encendido:

- Cuando el aparato está apagado, pulse el botón «TIMER». Se encenderá el indicador luminoso correspondiente «TIMER».
- Pulse los botones «TEMP+» / «TEMP-» para seleccionar el tiempo de encendido que desee, entre 1 y 24 horas. El «Tiempo de encendido programado» parpadeará en la pantalla digital. Pulse de nuevo el botón «TIMER» (cuando aún esté parpadeando) y el ajuste se confirmará.
- El aparato se encenderá automáticamente cuando haya transcurrido el «Tiempo de encendido programado».

Programar el temporizador de apagado:

- Cuando el aparato está encendido, pulse el botón «TIMER». Se encenderá el indicador luminoso correspondiente «TIMER».
- Pulse los botones «TEMP+» / «TEMP-» para seleccionar el tiempo de apagado que desee, entre 1 y 24 horas. El «Tiempo de apagado programado» parpadeará en la pantalla digital. Pulse de nuevo el botón «TIMER» (cuando aún esté parpadeando) y el ajuste se confirmará.
- El aparato se apagará automáticamente cuando haya transcurrido el «Tiempo de apagado programado».

Nota: En la pantalla digital se indicará el tiempo de la cuenta atrás por horas una vez que se haya programado el temporizador. Pulse de nuevo el botón «TIMER» para cancelar la función del temporizador.

NOTA: El aparato seguirá funcionando con el modo ajustado anteriormente cuando se encienda de nuevo si no se ha desenchufado. Si el aparato ha sido desconectado anteriormente, comenzará a funcionar en el modo de refrigeración a baja velocidad del viento cuando se encienda de nuevo.

PRECAUCIONES para las operaciones de refrigeración y deshumidificación:

- Cuando utilice las funciones de refrigeración y deshumidificación, mantenga un intervalo de al menos 3 minutos entre cada encendido y apagado.
- La alimentación eléctrica deberá cumplir los requisitos.
- La toma de corriente debe ser adecuada para el uso de CA.
- No comparta la toma de corriente con otros aparatos.
- La fuente de alimentación es CA220-240 V, 50 Hz.

Alarma de bandeja de agua llena

Con un uso normal, la unidad puede evaporar el agua condensada automáticamente, y se acumulará poca agua en la bandeja de agua interior.

En cuanto el agua condensada acumulada en la bandeja de agua interior alcance una determinada altura, se emitirá una alarma de bandeja de agua llena: el indicador luminoso de bandeja de agua llena se encenderá y la pantalla digital mostrará el código «E2» unos 5 minutos después.

Por lo tanto, cuando se produzca la alarma de bandeja de agua llena deberá vaciar el agua de la bandeja. Quite el manguito de goma y después el tapón de goma del puerto de drenaje en la parte inferior de la unidad, y vacíe el agua.

Drenaje continuo

Se puede utilizar el drenaje continuo para evitar las molestias de la alarma de bandeja de agua llena. Prepare una manguera de drenaje. Conéctelo al puerto de drenaje situado en el centro de la unidad y drene el agua a un cubo o a un desagüe en el suelo. La unidad también puede funcionar bien.

- Si piensa dejar esta unidad sin usar durante mucho tiempo, utilice los dos puertos de drenaje para vaciar el agua.
- Si el agua condensada se acumula rápidamente y provoca alarmas de bandeja de agua llena al cabo de poco tiempo, el motor de salpicaduras del interior de la máquina puede estar dañado. En este caso, póngase en contacto con nuestro departamento de servicio técnico en www.emerio.eu/service

LIMPIEZA Y MANTENIMIENTO

- Antes de la limpieza, asegúrese de desconectar el aparato de cualquier toma de corriente.
- No utilice gasolina ni otros productos químicos para limpiar el aparato.
- No lave el aparato directamente.

Filtro de aire

Si el filtro de aire se obstruye con polvo/suciedad, debe limpiarse cada dos semanas.

- Tire del filtro de aire de la parte inferior para sacarlo del aparato.
- Limpie el filtro de aire con detergente neutro en agua tibia (40 °C) y séquelo a la sombra.
- Vuelva a insertar el filtro de aire.

Limpieza de la superficie

Limpie la superficie primero con un detergente neutro y un paño húmedo, y después pase un paño seco.

RESOLUCIÓN DE PROBLEMAS

Problemas	Posibles causas	Soluciones
El aparato no se pone en marcha al pulsar el botón de potencia	El indicador luminoso de bandeja de agua llena parpadea, y la bandeja de agua está llena.	Quite el tapón de goma para vaciar el agua por la salida de drenaje.
	La temperatura de la habitación es más baja que la temperatura ajustada.	Restablezca la temperatura.
No enfría lo suficiente	Las puertas o ventanas no están cerradas.	Asegúrese de que todas las ventanas y puertas estén cerradas.
	Hay fuentes de calor dentro de la habitación.	Si es posible, retire las fuentes de calor.
	La manguera de salida de aire caliente no está conectada o está bloqueada.	Conecte o limpie la manguera de salida de aire caliente.
	El ajuste de la temperatura es demasiado alto.	Restablezca la temperatura.
	La entrada de aire está bloqueada.	Limpie la entrada de aire.
Ruidoso	El suelo no está nivelado o no es lo suficientemente plano.	Coloque el aparato en una superficie plana y nivelada si es posible.
	El sonido proviene del flujo del refrigerante dentro del aparato.	Esto es normal.
Código E0	El sensor de temperatura ambiente ha fallado.	Sustituya el sensor de temperatura ambiente. Póngase en contacto con un servicio técnico autorizado para su reparación.
Código E1	El sensor de temperatura del condensador ha fallado.	Sustituya el sensor de temperatura del condensador. Póngase en contacto con un servicio técnico autorizado para su reparación.
Código E2	Bandeja de agua llena al enfriar.	Quite el tapón de goma y vacíe el agua.
Código E3	El sensor de temperatura del evaporador ha fallado.	Sustituya el sensor de temperatura del evaporador. Póngase en contacto con un servicio técnico autorizado para su reparación.
El aparato deja de enfriar después de un ciclo de funcionamiento de 50 minutos.	Cuando la temperatura ambiente de la habitación desciende a 21 °C o menos durante 50 minutos en el modo de refrigeración, el aparato se detendrá durante 5 minutos por el programa predeterminado.	No se requiere ninguna acción. Esto es para evitar que los tubos de refrigeración de cobre internos se congelen. El aparato reanudará el funcionamiento de nuevo al cabo de 5 minutos y este proceso cíclico se repetirá continuamente.

DATOS TÉCNICOS:

Nota: Rango de temperatura de funcionamiento:

	Refrigeración máxima	Refrigeración mínima
Temperatura de bulbo seco / Temperatura de bulbo húmedo (°C)	35/24	18/12

Los siguientes datos son para su referencia operativa

Modelo	PAC-127068.1
Tensión nominal	220-240V
Frecuencia nominal	50 Hz
Entrada nominal	1345 W
Corriente nominal	6,0 A
Capacidad de refrigeración	3500 W (12000 Btu/h)
Eliminación de la humedad (L/H)	1.2
Flujo de aire	320 m ³ /h

INFORMACIÓN ERP

	Valor																
Marca comercial	Emerio																
Identificación del modelo	PAC-127068.1																
Potencia sonora (refrigeración)	≅ 65dB(A)																
Nombre del refrigerante	R290 (0,215 kg)																
Potencia nominal de refrigeración (kW)	1.345																
Ratio de eficiencia energética nominal	2.6																
GWP (kgCO ₂ eq)	3																
Clase de eficiencia energética	A																
Consumo de energía de los aparatos de doble conducto (kWh/h)	N.A.																
Consumo de energía de los aparatos de un solo conducto (kWh/h)	1.345																
Consumo de energía en el modo de apagado del termostato (W)	N.A.																
Consumo de energía en modo de espera (W)	0,5 W																
Capacidad de refrigeración	3500 W																
<p>Las fugas de refrigerante contribuyen al cambio climático. Un refrigerante con un potencial de calentamiento global (PCG) más bajo contribuiría menos al calentamiento global que un refrigerante con un PCG más alto, si se filtrara a la atmósfera. Este aparato contiene un fluido refrigerante con un PCG igual a 3. Esto significa que si 1 kg de este fluido refrigerante se filtrara a la atmósfera, el impacto en el calentamiento global sería 3 veces mayor que el de 1 kg de CO₂, durante un periodo de 100 años. No intente nunca interferir en el circuito del refrigerante ni desmontar el producto usted mismo, y pida siempre ayuda a un profesional.</p> <p>#Consumo de energía 1,345 kWh para el modelo PAC-127068.1 en 60 minutos de uso en condiciones de prueba estándar. El consumo real de energía depende del uso que se haga del aparato y de su ubicación.</p> <p>Para obtener información adicional, póngase en contacto con:</p> <table border="0"> <tr> <td>Emerio B.V.</td> <td>Customer service:</td> <td>Kundeninformation:</td> <td>Klantenservice:</td> </tr> <tr> <td>Oudeweg 115</td> <td>T: +31 (0) 23 3034369</td> <td>T: +49 (0) 3222 1097 600</td> <td>T: +31 (0) 23 3034369</td> </tr> <tr> <td>2031 CC Haarlem</td> <td>www.emerio.eu/service</td> <td>www.emerio.eu/service</td> <td>www.emerio.eu/service</td> </tr> <tr> <td>The Netherlands</td> <td></td> <td></td> <td></td> </tr> </table>		Emerio B.V.	Customer service:	Kundeninformation:	Klantenservice:	Oudeweg 115	T: +31 (0) 23 3034369	T: +49 (0) 3222 1097 600	T: +31 (0) 23 3034369	2031 CC Haarlem	www.emerio.eu/service	www.emerio.eu/service	www.emerio.eu/service	The Netherlands			
Emerio B.V.	Customer service:	Kundeninformation:	Klantenservice:														
Oudeweg 115	T: +31 (0) 23 3034369	T: +49 (0) 3222 1097 600	T: +31 (0) 23 3034369														
2031 CC Haarlem	www.emerio.eu/service	www.emerio.eu/service	www.emerio.eu/service														
The Netherlands																	

GARANTIA Y SERVICIO POSVENTA

Antes del suministro, nuestros aparatos se someten a un riguroso control de calidad. Si a pesar de todos los cuidados surgieran desperfectos durante la producción o el transporte, le rogamos devuelva el aparato a su vendedor. Adicionalmente a los derechos legales estatutarios, el comprador posee la opción de reclamación de acuerdo con los términos de la siguiente garantía:

Para el aparato adquirido otorgamos 2 años de garantía partiendo de la fecha de venta. Si el producto está defectuoso, puede dirigirse directamente al lugar en el que lo compró.

Todos los defectos producidos por el uso indebido del aparato, y las averías debidas a intervenciones y reparaciones por parte de terceros, o el montaje de piezas de repuestos no originales, no están cubiertos por esta garantía. Guarde siempre la factura, sin ella no podrá reclamar ningún tipo de garantía. Nos no será responsable de daños materiales o lesiones personales causadas de un mal uso del aparato o si las instrucciones de seguridad no han sido seguidas correctamente. Nos declina cualquier responsabilidad por daños derivados de no seguir las instrucciones de uso correctamente. Daños en el acceso teóricos no significa libre de sustitución automática del aparato completo. En dichos, consulte el servicio al cliente. Los vidrios rotos o rotura de piezas de plástico están siempre sujetas a pago. Los defectos de los consumibles o piezas susceptibles a desgaste, así como la limpieza, mantenimiento o la sustitución de dichas piezas no están cubiertas por la garantía y por lo tanto, se deben pagar.

RESPETE EL MEDIO AMBIENTE



Reciclaje – Directiva Europea 2012/19/UE

Este símbolo indica que el producto no debe desecharse con otros residuos domésticos. Para evitar posibles daños al medioambiente o la salud humana por una eliminación descontrolada de residuos,

recíclelo de forma responsable para promover la reutilización sostenible de los recursos materiales. Para devolver su producto usado, utilice los sistemas de devolución y recogida o contacte con el vendedor en el que adquirió el producto. Pueden llevar este producto a reciclar de forma respetuosa con el medioambiente.



LA PILA DEBE SER RECICLADA O DESECHADA DE FORMA ADECUADA. NO LA ABRA. NO LA TIRE AL FUEGO NI LA CORTOCIRCUITE.

Emerio B.V.
Oudeweg 115
2031 CC Haarlem
The Netherlands

Customer service:
T: +31 (0) 23 3034369
www.emerio.eu/service

Kundeninformation:
T: +49 (0) 3222 1097 600
www.emerio.eu/service

Klantenservice:
T: +31 (0) 23 3034369
www.emerio.eu/service

Looking for spare parts? Have a look at www.spareparts.emerio.eu

Sie brauchen Ersatzteile? Besuchen Sie www.ersatzteile.emerio.eu

Onderdelen nodig? Kijk op www.onderdelen.emerio.eu

INSTRUCCIONES PARA LA REPARACIÓN DE APARATOS QUE CONTIENEN

R290

1. Servicio técnico

1) Controles en la zona

Antes de empezar a trabajar en sistemas que contengan refrigerantes inflamables, es necesario realizar comprobaciones de seguridad para garantizar que el riesgo de ignición sea mínimo. Para la reparación del sistema de refrigeración, se deberán cumplir las siguientes precauciones antes de realizar trabajos en el sistema.

2) Procedimiento de trabajo

Los trabajos se llevarán a cabo mediante un procedimiento controlado para minimizar el riesgo de presencia de gases o vapores inflamables durante la realización de los mismos.

3) Área de trabajo general

Todo el personal de mantenimiento y otras personas que trabajen en la zona deberán recibir instrucciones sobre la naturaleza de los trabajos que se realicen. Se evitará trabajar en espacios confinados. La zona que rodea el espacio de trabajo deberá estar seccionada. Asegúrese de que las condiciones dentro del área se han hecho seguras mediante el control del material inflamable.

4) Comprobación de la presencia de refrigerante

Se comprobará la zona con un detector de refrigerantes adecuado antes y durante el trabajo, para asegurarse de que el técnico es consciente de la existencia de atmósferas potencialmente inflamables. Asegúrese de que el equipo de detección de fugas que se utilice sea adecuado para su uso con refrigerantes inflamables, es decir, que no produzca chispas, que esté adecuadamente sellado o que sea intrínsecamente seguro.

5) Presencia de extintores

Si se va a realizar algún trabajo en caliente en el equipo de refrigeración o en alguna de sus partes, se deberá tener a mano el equipo de extinción de incendios adecuado. Tenga un extintor de polvo seco o de CO₂ junto a la zona de carga.

6) No hay fuentes de ignición

Ninguna persona que realice trabajos en relación con un sistema de refrigeración, que implique la exposición de alguna tubería que contenga o haya contenido refrigerante inflamable, utilizará ninguna fuente de ignición de manera que pueda provocar un riesgo de incendio o explosión. Todas las posibles fuentes de ignición, incluido el consumo de cigarrillos, deben mantenerse suficientemente alejadas del lugar de instalación, reparación, retirada y eliminación, durante las cuales es posible que se libere refrigerante inflamable al espacio circundante. Antes de empezar a trabajar, se debe inspeccionar la zona que rodea al equipo para asegurarse de que no haya riesgos de inflamación ni de ignición. Se deberán colocar carteles de «prohibido fumar».

7) Zona ventilada

Asegúrese de que la zona está al aire libre o de que está adecuadamente ventilada antes de intervenir en el sistema o realizar cualquier trabajo en caliente. Se deberá mantener un cierto grado de ventilación durante el período en que se realicen los trabajos. La ventilación debe dispersar de forma segura cualquier refrigerante liberado y, preferiblemente, expulsarlo al exterior, a la atmósfera.

8) Comprobación de los equipos de refrigeración

Cuando se cambien componentes eléctricos, éstos deberán ser aptos para el fin respectivo y deberán tener la especificación correcta. En todo momento se deberán seguir las directrices de mantenimiento y servicio del fabricante. En caso de duda, consulte al departamento técnico del fabricante para obtener ayuda.

Las siguientes comprobaciones se deberán aplicar a las instalaciones que utilicen refrigerantes inflamables:

- El tamaño de la carga es adecuada para el tamaño de la sala en la que se instalan las piezas que contienen refrigerante;
- La maquinaria de ventilación y las salidas funcionan adecuadamente y no están obstruidas;

- Si se utiliza un circuito de refrigeración indirecta, se deberá comprobar la presencia de refrigerante en el circuito secundario;
- El marcado del equipo sigue siendo visible y legible. Se deberán corregir las marcas y señales que sean ilegibles;
- Las tuberías o los componentes de refrigeración se instalan en una posición en la que es improbable que estén expuestos a alguna sustancia que pueda corroer los componentes que contienen refrigerante, a menos que los componentes estén contruidos con materiales intrínsecamente resistentes a la corrosión o estén adecuadamente protegidos contra ella.

9) Comprobaciones de los dispositivos eléctricos

La reparación y el mantenimiento de los componentes eléctricos deberá incluir las comprobaciones iniciales de seguridad y los procedimientos de inspección de los componentes. Si existe un fallo que pueda comprometer la seguridad, no se deberá conectar ningún suministro eléctrico al circuito hasta que se haya solucionado satisfactoriamente. Si la avería no puede corregirse inmediatamente, pero es necesario continuar con el funcionamiento, se deberá utilizar una solución temporal adecuada. Esto se comunicará al propietario del equipo para que todas las partes estén informadas. Las comprobaciones iniciales de seguridad incluirán:

- Que los condensadores se descarguen: esto se deberá hacer de forma segura para evitar la posibilidad de que se produzcan chispas;
- Que no se expongan los componentes eléctricos y el cableado bajo tensión mientras se carga, se recupera o se purga el sistema;
- Que haya continuidad en la conexión a tierra.

3. Reparación de componentes sellados

1) Durante las reparaciones de los componentes sellados, se deberán desconectar todos los suministros eléctricos del equipo en el que se está trabajando antes de retirar las cubiertas selladas, etc. Si es absolutamente necesario tener un suministro eléctrico para el equipo durante el mantenimiento, entonces una forma de detección de fugas que funcione permanentemente deberá estar ubicada en el punto más crítico para advertir de una situación potencialmente peligrosa.

2) Se deberá prestar especial atención a lo siguiente para garantizar que, al trabajar en los componentes eléctricos, no se altere la carcasa de manera que se vea afectado el nivel de protección. Esto deberá incluir daños en los cables, un número excesivo de conexiones, terminales que no se ajusten a las especificaciones originales, daños en las juntas, montaje incorrecto de los prensaestopas, etc.

Asegúrese de que el aparato esté montado de forma segura. Asegúrese de que las juntas o los materiales de sellado no se hayan degradado hasta el punto de que ya no sirven para impedir la entrada de atmósferas inflamables. Las piezas de repuesto deberán cumplir las especificaciones del fabricante.

NOTA: El uso de sellador de silicona puede inhibir la eficacia de algunos tipos de equipos de detección de fugas. No es necesario aislar los componentes de seguridad intrínseca antes de trabajar en ellos.

3. Reparación de componentes de seguridad intrínseca

No aplique ninguna carga inductiva o capacitiva permanente al circuito sin asegurarse de que no superará la tensión y la corriente permitidas para el equipo en uso. Los componentes intrínsecamente seguros son los únicos en los que se puede trabajar bajo tensión en presencia de una atmósfera inflamable. El aparato de prueba deberá tener la potencia nominal correcta. Sustituya los componentes únicamente con piezas especificadas por el fabricante. Otras piezas pueden provocar la ignición del refrigerante en la atmósfera por una fuga.

4. Cableado

Compruebe que el cableado no estará sometido a desgaste, corrosión, presión excesiva, vibración, bordes afilados o cualquier otro efecto ambiental adverso. La comprobación también deberá tener en cuenta los efectos del envejecimiento o de las vibraciones continuas procedentes de fuentes como los compresores o los ventiladores.

5. Detección de refrigerantes inflamables

Bajo ninguna circunstancia se utilizarán fuentes potenciales de ignición en la búsqueda o detección de fugas de refrigerante. No se utilizará un soplete de haluro (ni ningún otro detector que utilice una llama abierta).

6. Métodos de detección de fugas

Los siguientes métodos de detección de fugas se consideran aceptables para los sistemas que contienen refrigerantes inflamables.

Se deberán utilizar detectores de fugas electrónicos para detectar refrigerantes inflamables, pero la sensibilidad puede no ser la adecuada o necesitar una recalibración. (El equipo de detección se deberá calibrar en una zona libre de refrigerantes). Asegúrese de que el detector no es una fuente potencial de ignición y es adecuado para el refrigerante utilizado. El equipo de detección de fugas se deberá ajustar a un porcentaje del LFL del refrigerante y se deberá calibrar para el refrigerante empleado, y se confirmará el porcentaje adecuado de gas (25 % como máximo). Los fluidos de detección de fugas son adecuados para su uso con la mayoría de los refrigerantes, pero debe evitarse el uso de detergentes que contengan cloro, ya que éste puede reaccionar con el refrigerante y corroer las tuberías de cobre. Si se sospecha que hay una fuga, se retirarán/extinguirán todas las llamas abiertas. Si se detecta una fuga de refrigerante que requiera una soldadura, se deberá recuperar todo el refrigerante del sistema, o se deberá aislar (mediante válvulas de cierre) en una parte del sistema alejada de la fuga. El nitrógeno libre de oxígeno (OFN) se deberá purgar entonces a través del sistema tanto antes como durante el proceso de soldadura fuerte.

7. Retirada y evacuación

Cuando se intervenga en el circuito de refrigerante para hacer reparaciones (o para cualquier otro propósito) se deberán utilizar los procedimientos convencionales. Sin embargo, es importante que se sigan las mejores prácticas ya que la inflamabilidad es un tema a tener en cuenta. Se seguirá el siguiente procedimiento:

- Retirar el refrigerante;
- Purgar el circuito con gas inerte;
- Evacuar;
- Purgar de nuevo con gas inerte;
- Abrir el circuito cortando o soldando.

La carga de refrigerante se recuperará en los cilindros de recuperación correctos. El sistema se deberá «enjuagar» con OFN para que la unidad sea segura. Es posible que haya que repetir este proceso varias veces. No se utilizará aire comprimido ni oxígeno para esta tarea. El enjuague se deberá realizar rompiendo el vacío en el sistema con OFN y continuando el llenado hasta alcanzar la presión de trabajo, ventilando después a la atmósfera y, finalmente, reduciendo hasta el vacío. Este proceso se deberá repetir hasta que no haya refrigerante en el sistema. Cuando se utilice la carga final de OFN, el sistema se deberá ventilar hasta la presión atmosférica para poder trabajar. Esta operación es absolutamente vital si se van a realizar operaciones de soldadura en la tubería. Asegúrese de que la salida de la bomba de vacío no esté cerca de ninguna fuente de ignición y que haya ventilación disponible.

8. Procedimientos de carga

Además de los procedimientos de carga convencionales, se deberán cumplir los siguientes requisitos.

- Asegúrese de que no se produzca una contaminación de diferentes refrigerantes al utilizar el equipo de carga. Las mangueras o conductos serán lo más cortos posible para minimizar la cantidad de refrigerante que contienen.
- Los cilindros se mantendrán en posición vertical.
- Asegúrese de que el sistema de refrigeración está conectado a tierra antes de cargar el sistema con refrigerante.
- Etiquete el sistema cuando la carga esté completa (si no está ya etiquetado).

- Se debe tener mucho cuidado de no sobrecargar el sistema de refrigeración.

Antes de recargar el sistema se deberá probar la presión con OFN. El sistema se deberá someter a una prueba de estanqueidad al finalizar la carga, pero antes de la puesta en marcha. Se deberá realizar una prueba de fugas de seguimiento antes de abandonar el lugar.

9. Desmantelamiento

Antes de llevar a cabo este procedimiento, es imprescindible que el técnico esté completamente familiarizado con el equipo y todos sus detalles. Se recomienda como buena práctica que todos los refrigerantes se recuperen de forma segura. Antes de llevar a cabo la tarea, se deberá tomar una muestra de aceite y refrigerante en caso de que se requiera un análisis antes de la reutilización del refrigerante recuperado. Es esencial que se disponga de energía eléctrica antes de comenzar la tarea.

a) Familiarícese con el equipo y su funcionamiento.

b) Aísle el sistema eléctricamente.

c) Antes de intentar el procedimiento, asegúrese de que:

- Se dispone de un equipo de manipulación mecánica, si es necesario para manipular los cilindros de refrigerante;
- Todo el equipo de protección personal está disponible y se utiliza correctamente;
- El proceso de recuperación es supervisado en todo momento por una persona competente;
- Los equipos de recuperación y los cilindros se ajustan a las normas correspondientes.

d) Vacíe el sistema de refrigeración por bombeo, si es posible.

e) Si no es posible hacer el vacío, haga un colector para poder sacar el refrigerante de varias partes del sistema.

f) Asegúrese de que el cilindro está situado en la báscula antes de la recuperación.

g) Ponga en marcha la máquina de recuperación y hágala funcionar de acuerdo con las instrucciones del fabricante.

h) No llene los cilindros excesivamente. (No más del 80 % de volumen de carga líquida).

i) No supere la presión máxima de trabajo de la botella, ni siquiera temporalmente.

j) Cuando los cilindros se hayan llenado correctamente y el proceso se haya finalizado, asegúrese de que los cilindros y el equipo se retiren enseguida del lugar y que todas las válvulas de aislamiento del equipo se cierren.

k) El refrigerante recuperado no se deberá cargar en otro sistema de refrigeración, a menos que se haya limpiado y comprobado.

10. Etiquetado

El equipo deberá etiquetarse, indicando que ha sido puesto fuera de servicio y vaciado de refrigerante. La etiqueta deberá estar fechada y firmada. Asegúrese de que haya etiquetas en el equipo que indiquen que éste contiene refrigerante inflamable.

11. Recuperación

Cuando se extrae el refrigerante de un sistema, ya sea para el mantenimiento o para el desmantelamiento, se recomienda como buena práctica retirar todos los refrigerantes de forma segura. Al transferir el refrigerante a los cilindros, asegúrese de que solo se empleen cilindros de recuperación de refrigerante adecuados. Asegúrese de que se dispone del número correcto de cilindros para mantener la carga total del sistema. Todos los cilindros que se van a utilizar deberán estar designados para el refrigerante recuperado y etiquetados para ese refrigerante (es decir, cilindros especiales para la recuperación de refrigerante). Los cilindros deberán estar completos con la válvula de alivio de presión y las válvulas de cierre asociadas en buen estado de funcionamiento. Los cilindros de recuperación vacíos se deberán evacuar y, si es posible, se deberán enfriar antes de la recuperación. El equipo de recuperación deberá estar en buen estado de funcionamiento, con un

conjunto de instrucciones relativas al equipo que esté a mano, y deberá ser adecuado para la recuperación de refrigerantes inflamables. Además, se dispondrá de un juego de básculas calibradas y en buen estado de funcionamiento. Las mangueras deberán estar completas con acoplamientos de desconexión sin fugas y en buen estado. Antes de utilizar la máquina de recuperación, compruebe que está en buen estado de funcionamiento, que se ha realizado correctamente el mantenimiento y que todos los componentes eléctricos asociados están sellados, para evitar la ignición en caso de fuga de refrigerante. Consulte al fabricante en caso de duda. El refrigerante recuperado se devolverá al proveedor de refrigerantes en el cilindro de recuperación correcto, y se organizará la correspondiente nota de transferencia de residuos. No mezcle los refrigerantes en las unidades de recuperación, especialmente en los cilindros. Si se van a retirar compresores o aceites de los compresores, compruebe que se hayan vaciado hasta un nivel aceptable para asegurarse de que no quede refrigerante inflamable dentro del lubricante. El proceso de evacuación se llevará a cabo antes de devolver el compresor a los proveedores. Para acelerar este proceso, solo se empleará el calentamiento eléctrico de la carcasa del compresor. Cuando se vacíe el aceite de un sistema, se deberá hacer de forma segura.

Competencia del personal de servicio

General

Se requiere una formación especial adicional a los procedimientos habituales de reparación de equipos de refrigeración cuando se vean afectados equipos con refrigerantes inflamables.

En muchos países, esta formación la llevan a cabo organizaciones nacionales de formación, que están acreditadas para impartir las normas de competencia nacional pertinentes que pueden estar establecidas en la legislación.

La competencia alcanzada debe documentarse mediante un certificado.

Formación

La formación debe incluir contenidos sobre los temas siguientes:

Información sobre el potencial de explosión de los refrigerantes inflamables, para mostrar que los inflamables pueden ser peligrosos cuando se manipulan sin cuidado.

Información sobre las posibles fuentes de ignición, especialmente las que no son obvias, como encendedores, interruptores de la luz, aspiradoras o calentadores eléctricos.

Información sobre los diferentes conceptos de seguridad:

Sin ventilación - La seguridad del aparato no depende de la ventilación de la carcasa. La desconexión del aparato o la apertura de la carcasa no tienen ningún efecto significativo sobre la seguridad. No obstante, es posible que se acumulen fugas de refrigerante en el interior de la carcasa y que se libere una atmósfera inflamable al abrirla.

Carcasa ventilada - La seguridad del aparato depende de la ventilación de la carcasa. La desconexión del aparato o la apertura de la carcasa tienen un efecto significativo sobre la seguridad. Se debe tener cuidado de asegurar antes una ventilación suficiente.

Habitación ventilada - La seguridad del aparato depende de la ventilación de la habitación. La desconexión del aparato o la apertura de la carcasa no tienen ningún efecto significativo sobre la seguridad. La ventilación de la sala no se deberá desconectar durante los procedimientos de reparación.

Información sobre el concepto de componentes sellados y carcasas selladas según la norma IEC 60079-15:2010.

Información sobre los procedimientos de trabajo correctos:

a) Puesta en marcha

- Asegúrese de que la superficie del suelo es suficiente para la carga de refrigerante o que la manguera de ventilación está montada de forma correcta.
- Conecte las tuberías y realice una prueba de estanqueidad antes de cargar con refrigerante.
- Compruebe el equipo de seguridad antes de ponerlo en servicio.

b) Mantenimiento

- Los equipos portátiles se deberán reparar en el exterior o en un taller especialmente equipado para el mantenimiento de unidades con refrigerantes inflamables.
- Asegure una ventilación suficiente en el lugar de la reparación.
- Tenga en cuenta que el mal funcionamiento del equipo puede ser causado por la pérdida de refrigerante y que es posible que haya una fuga de refrigerante.
- Descargue los condensadores de manera que no provoquen ninguna chispa. El procedimiento estándar para cortocircuitar los terminales del condensador suele crear chispas.
- Vuelva a montar las carcasas selladas con precisión. Si las juntas están desgastadas, sustitúyalas.
- Compruebe el equipo de seguridad antes de ponerlo en servicio.

c) Reparación

- Los equipos portátiles se deberán reparar en el exterior o en un taller especialmente equipado para el mantenimiento de unidades con refrigerantes inflamables.
- Asegure una ventilación suficiente en el lugar de la reparación.
- Tenga en cuenta que el mal funcionamiento del equipo puede ser causado por la pérdida de refrigerante y que es posible que haya una fuga de refrigerante.
- Descargue los condensadores de manera que no provoquen ninguna chispa.
- Cuando se requiera una soldadura fuerte, los siguientes procedimientos se deberán llevar a cabo en el orden correcto:
 - Retirar el refrigerante. Si la normativa nacional no exige la recuperación, drene el refrigerante hacia el exterior. Tenga cuidado de que el refrigerante drenado no cause ningún peligro. En caso de duda, una persona debe vigilar la salida. Tenga especial cuidado de que el refrigerante drenado no vuelva a entrar en el edificio.
 - Evacuar el circuito de refrigerante.
 - Purgar el circuito de refrigerante con nitrógeno durante 5 minutos.
 - Evacuar de nuevo.
 - Retirar las piezas a sustituir cortando, no con llama.
 - Purgar el punto de soldadura con nitrógeno durante el procedimiento de soldadura.
 - Realizar una prueba de fugas antes de cargar con refrigerante.
- Vuelva a montar las carcasas selladas con precisión. Si las juntas están desgastadas, sustitúyalas.
- Compruebe el equipo de seguridad antes de ponerlo en servicio.

d) Desmantelamiento

- Si la seguridad se ve afectada cuando el equipo se pone fuera de servicio, la carga de refrigerante deberá eliminarse antes del desmantelamiento.
- Asegúrese de que haya suficiente ventilación en la ubicación del equipo.
- Tenga en cuenta que el mal funcionamiento del equipo puede ser causado por la pérdida de refrigerante y que es posible que haya una fuga de refrigerante.
- Descargue los condensadores de manera que no provoquen ninguna chispa.
- Retire el refrigerante. Si la normativa nacional no exige la recuperación, drene el refrigerante hacia el exterior. Tenga cuidado de que el refrigerante drenado no cause ningún peligro. En caso de duda, una persona debe vigilar la salida. Tenga especial cuidado de que el refrigerante drenado no vuelva a entrar en el edificio.
- Evacúe el circuito de refrigerante.
- Purgue el circuito de refrigerante con nitrógeno durante 5 minutos.
- Evacúe de nuevo.
- Llene con nitrógeno hasta la presión atmosférica.
- Coloque una etiqueta en el equipo que indique que el refrigerante ha sido retirado.

e) Eliminación

- Asegure que haya suficiente ventilación en el lugar de trabajo.

- Retire el refrigerante. Si la normativa nacional no exige la recuperación, drene el refrigerante hacia el exterior. Tenga cuidado de que el refrigerante drenado no cause ningún peligro. En caso de duda, una persona debe vigilar la salida. Tenga especial cuidado de que el refrigerante drenado no vuelva a entrar en el edificio.
- Evacúe el circuito de refrigerante.
- Purgue el circuito de refrigerante con nitrógeno durante 5 minutos.
- Evacúe de nuevo.
- Desconecte el compresor y drene el aceite.

Transporte, marcado y almacenamiento de unidades que emplean refrigerantes inflamables

Transporte de equipos que contienen refrigerantes inflamables

Se llama la atención sobre el hecho de que pueden existir regulaciones adicionales de transporte con respecto a los equipos que contienen gas inflamable. El número máximo permitido de equipos o la configuración de los mismos para ser transportados juntos, serán determinados por la normativa de transporte aplicable.

Señalización de los equipos mediante carteles

La señalización de aparatos similares utilizados en una zona de trabajo suele estar contemplada en la normativa local, y establece los requisitos mínimos para la provisión de señales de seguridad y/o salud para un lugar de trabajo.

Deben mantenerse todas las señales necesarias, y los empresarios deben asegurarse de que los empleados reciban instrucción y formación adecuadas y suficientes sobre el significado de las señales de seguridad apropiadas y las medidas que deben tomarse en relación con dichas señales.

La eficacia de las señales no debe verse mermada por la colocación de demasiadas señales juntas.

Los pictogramas utilizados deben ser lo más sencillos posible y contener solo los detalles esenciales.

Eliminación de equipos que utilizan refrigerantes inflamables

Consulte la normativa nacional.

Almacenamiento de equipos/aparatos

El almacenamiento de los equipos debe realizarse de acuerdo con las instrucciones del fabricante.

Almacenamiento de equipos embalados (no vendidos)

La protección del embalaje de almacenamiento debe estar diseñada de manera que los daños mecánicos en el equipo dentro del embalaje no causen una fuga de la carga de refrigerante.

El número máximo de equipos que se permite almacenar juntos estará determinado por la normativa local.