

Multimedia Cooling Table (EN)

Multimedia Tisch mit Kühlfunktion (DE)

Table de rafraîchissement multimédia (FR)

Multimedia Koeltafel (NL)

Multimedialny stół chłodzący (PL)

Content – Inhalt – Teneur – Inhoud – Treść

Instruction manual – English	- 2 -
Bedienungsanleitung – German	- 14 -
Mode d'emploi – French	- 26 -
Gebruiksaanwijzing – Dutch	- 39 -
Instrukcja obsługi – Polish	- 51 -

Original instructions

SAFETY INSTRUCTIONS

Before use make sure to read all of the below instructions in order to avoid injury or damage, and to get the best results from the appliance. Make sure to keep this manual in a safe place. If you give or transfer this appliance to someone else make sure to also include this manual.

In case of damage caused by user failing to follow the instructions in this manual the warranty will be void. The manufacturer/importer accepts no liability for damages caused by failure to follow the manual, a negligent use or use not in accordance with the requirements of this manual.

1. Read and save these instructions. Attention: pictures in the instructions are for reference only.
2. This appliance can be used by children aged from 8 years and above and persons with reduced physical, sensory or mental capabilities or lack of experience and knowledge if they have been given supervision or instruction concerning use of the appliance in a safe way and understand the hazards involved. Children shall not play with the appliance. Cleaning and user maintenance shall not be made by children without supervision.
3. Children aged from 3 to 8 years are allowed to load and unload refrigerating appliances.
4. If the supply cord is damaged, it must be replaced by the manufacturer, its service agent or similarly qualified persons in order to avoid a hazard.
5. **Warning!** The appliance shall be disconnected from its power source during cleaning or maintenance and when replacing parts.
6. **WARNING:** Keep ventilation openings, in the appliance enclosure or in the built-in structure, clear of obstruction.
7. **WARNING:** Do not use mechanical devices or other means to accelerate the defrosting process, other than those

recommended by the manufacturer.

8. **WARNING:** Do not damage the refrigerant circuit.
9. **WARNING:** Do not use electrical appliances inside the food storage compartments of the appliance, unless they are of the type recommended by the manufacturer.
10. Do not store explosive substances such as aerosol cans with a flammable propellant in this appliance.
11. This appliance is intended to be used in household and similar applications such as
 - staff kitchen areas in shops, offices and other working environments;
 - farm houses and by clients in hotels, motels and other residential type environments;
 - bed and breakfast type environments;
 - catering and similar non-retail applications.
12. **WARNING:** When positioning the appliance, ensure the supply cord is not trapped or damaged.
13. **WARNING:** Do not locate multiple portable socket-outlets or portable power supplies at the rear of the appliance.
14. To avoid contamination of food, please respect the following instructions:
 - Opening the door for long periods can cause a significant increase of the temperature in the compartments of the appliance.
 - Clean regularly surfaces that can come in contact with food and accessible drainage systems.
 - Clean water tanks if they have not been used for 48h; flush the water system connected to a water supply if water has not been drawn for 5 days. (Only applicable to water dispenser and water inlet system.)
 - Store raw meat and fish in suitable containers in the refrigerator, so that it is not in contact with or drip onto other food.
 - Two-star frozen-food compartments are suitable for storing pre-frozen food, storing or making ice cream and making ice cubes.
 - One-, two- and three-star compartments are not suitable

for the freezing of fresh food.

- If the refrigerating appliance is left empty for long periods, switch off, defrost, clean, dry, and leave the door open to prevent mould developing within the appliance.

15. This refrigerating appliance is not intended to be used as a built-in appliance.

16. **Climate class:**

- Extended temperate (SN): 'this refrigerating appliance is intended to be used at ambient temperatures ranging from 10°C to 32 °C';
- Temperate (N): 'this refrigerating appliance is intended to be used at ambient temperatures ranging from 16 °C to 32 °C';
- Subtropical (ST): 'this refrigerating appliance is intended to be used at ambient temperatures ranging from 16 °C to 38 °C';
- Tropical (T): 'this refrigerating appliance is intended to be used at ambient temperatures ranging from 16 °C to 43 °C'.

17. Unplug the appliance from outlet when not in use, before putting on or taking off parts, before cleaning.

18. Make sure to place the plug all the way into socket when connecting your appliance.

19. Insert the plug into a single grounded socket.

20. Never use the appliance in place where combustible and inflammable materials are kept.

21. For safety reason, be sure to repair or replace parts at an authorized service dealer.

22. The motor is permanently lubricated and will require no oil.

23. The appliance must be positioned so that the plug is accessible.

24. Please follow the local regulations regarding disposal of the appliance for its flammable blowing gas.

25. To clean the appliance, use only mild detergents or glass cleaning products. Never use harsh detergents or solvents.

26. Do not place hot food or drink into the drawers before it cools down to room temperature.
27. Close the drawers immediately after putting in any items so the inside temperature will not rise dramatically.
28. Keep appliance away from any heat source or direct sunlight.
29. To avoid injury from electrical shock do not operate the appliance with wet hands, while standing on a wet surface or while standing in water.
30. Do not use outdoors or in wet conditions.
31. Never pull the cord to disconnect it from the outlet. Grasp the plug and pull it from the outlet.
32. Keep the cord away from heated surfaces.
33. Check that the voltage of the power supply in your home is the same as the voltage shown on the rating label of this product.
34. The appliance is not intended to be operated by means of an external timer or a separate remote-control system.
35. It is recommended to check regularly the supply cord for any sign of possible deterioration, and the appliance should not be used if the cable is damaged.



36. **WARNING!** Risk of fire / flammable materials

Please keep the product far away from fire source during using, service and disposal. There are flammable materials at the back of the appliance.

37. Avoid liquid inflow to the USB / Type-C port in case of short circuit. Do not use wet cloth to wipe the USB / Type-C port when cleaning.
38. The appliance is only suitable for storage of food. It cannot be used for other purposes, such as storage of blood, biological products.
39. Flammable and explosive dangerous goods as well as

strong corrosive acids, alkalis and other chemicals must not be stored in the drawers.

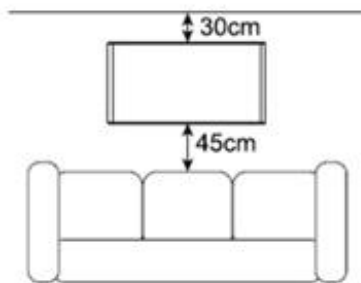
40. In order to ensure the safety, it is recommended not to put the socket, power supply, microwave ovens and other appliances on the surface of the product. Do not use electric devices inside the product to avoid electromagnetic interference or other accidents.
41. It is strictly forbidden to disassemble, modify the product, or damage the refrigeration line. The repair of the product must be carried out by professionals.
42. Regarding the information pertaining to the installation, handling, use, servicing, replacement of lamp (if applicable), cleaning and disposal of the appliance, thanks to refer to the below paragraph of the manual.

GENERAL INTRODUCTION

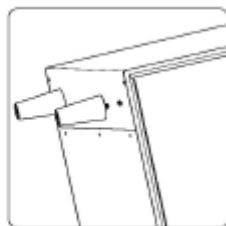
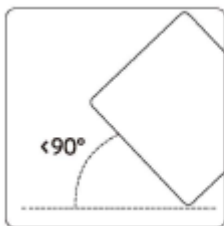
This is a creative appliance and furniture product. The fridge drawer can store fruits, drinks and snacks; the freezer room can store ice cream and other foods that need to be frozen. The product has Bluetooth connection supporting Bluetooth 5.0, USB and Type-C ports, which allows to play music and recharge devices such as mobile phone, iPad, etc.

PREPARATION BEFORE THE FIRST USE

1. Remove all packaging material including the foam base and foam tape for accessories fixing. Tare the transparent laminating on the surface so as not to affect the normal cooling and power consumption of the tea table. The foam pad shall be removed in the use of the tea table.
2. Place the appliance at a location which meets all the conditions below.
 - 1) Avoid the damp, cold environment and direct sunlight.
 - 2) More than 30 cm space shall be left in front of the tea table. The best distance from the sofa is about 45 cm.



- 3) The appliance should be placed on a flat and solid ground.
3. To install the feet, take out the feet from the right freezer drawer; tilt the appliance no more than 90°; align and tighten the feet to the bottom of the appliance.

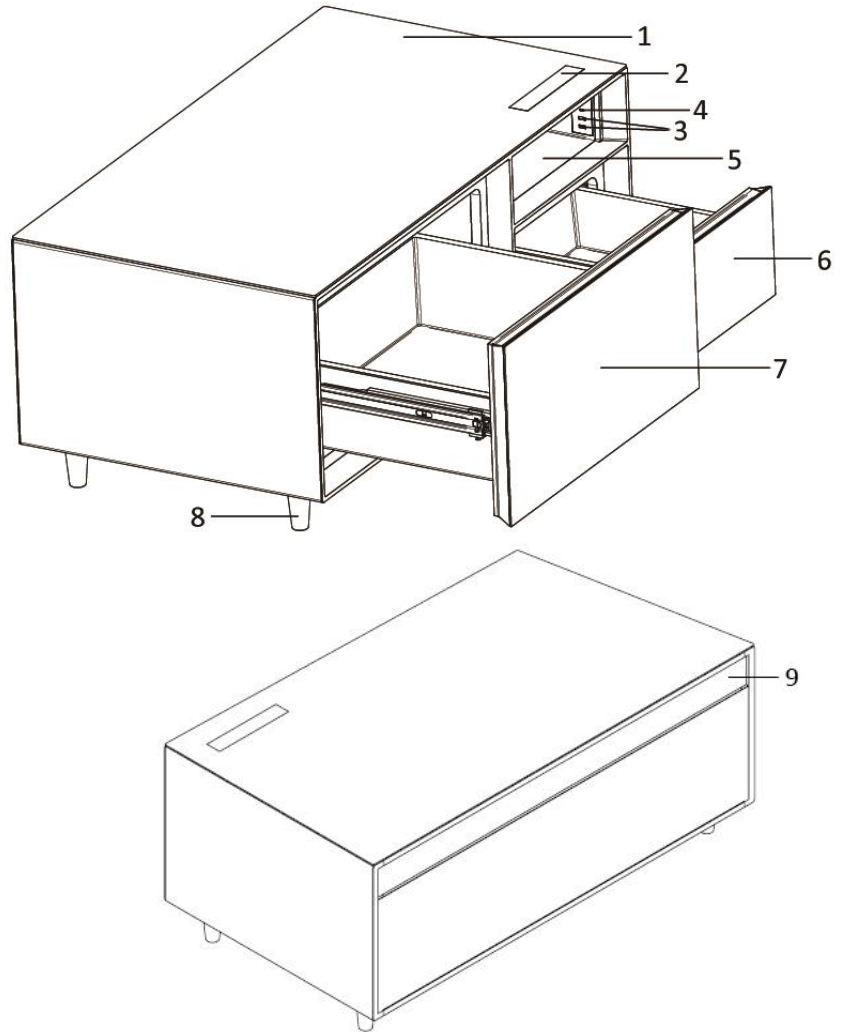


Note:

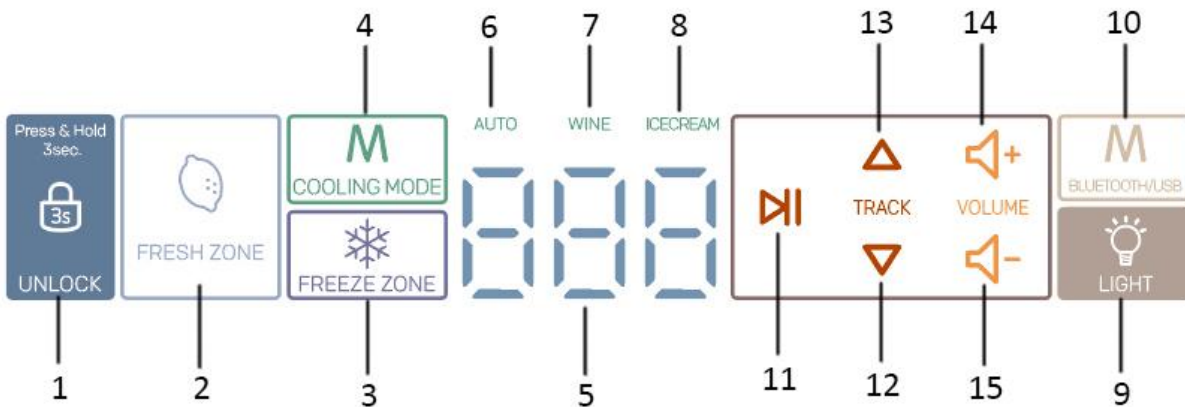
- Do not put the appliance upside down during installation.
 - If the raise of height needed, flat, solid and nonflammable pad should be chosen. If it is slightly unstable, please adjust the adjustable feet of the tea table. Never use the packing foam for the base support.
4. Clean the appliance before use. Refer to the section "CLEANING AND MAINTENANCE".
 5. Always let the appliance rest for at least 2 hours after moving or cleaning it.
 6. After rest of 2 hours, check the USB and Type-C ports, making sure there is no water vapor. The power cord is at the bottom of the appliance. Properly put the plug into an appropriate power outlet. Leave enough length of power cord and prevent from any stumbling due to the power cord.

STRUCTURE ILLUSTRATION

1. Glass tabletop
2. Control panel
3. USB port (x2)
4. Type-C port
5. Storage room
6. Right freezer drawer
7. Left fridge drawer
8. Feet
9. Audio



CONTROL PANEL



1. Unlock button
2. Temperature setting for fridge drawer
3. Temperature setting for freezer drawer
4. Cooling mode button
5. Digital display
6. Auto mode indicator light
7. Wine mode indicator light
8. Ice cream mode indicator light
9. Light on/off button
10. Bluetooth/USB selection
11. Audio Play/Pause
12. Next track
13. Last track
14. Volume up
15. Volume down

Notes:

- When setting the audio function, there is no temperature display, but the display of current audio operation.
- Press the unlock button for 3 seconds, the fridge and freezer drawers are unlocked. The audio section can be activated or closed independently.
- Touch the light on/off button, the light in the storage room will be on or off.

Operation for the fridge and freezer drawers

After powering on for the first time, the buttons are in the non-locking state and they will enter into the locked state after 10 seconds without any operation.

1. In the locked state, press the unlock button for 3 seconds, then you can touch other buttons of this zone for operation.
2. The right drawer is a freezer drawer; to set its temperature, touch the button “FREEZE ZONE”, and the temperature will cycle from -6 °C to -12 °C with each touch. The left drawer is a fridge drawer; to set its temperature, touch the button “FRESH ZONE”, and the temperature will cycle from 1°C to 12 °C with each touch, but there are different ranges of adjustable temperature according to the freezer drawer’s temperature you set. (See the reference table below) If there is no operation for more than 3 seconds, the setting will be confirmed and the display will stop flashing.

The freezer temperature you have set (°C)	The fridge temperature range you could set (°C)
-12	1, 2, 3, 4, 5, 6, 7, 8
-11	2, 3, 4, 5, 6, 7, 8, 9
-10	3, 4, 5, 6, 7, 8, 9, 10
-9	4, 5, 6, 7, 8, 9, 10, 11
-8	5, 6, 7, 8, 9, 10, 11, 12
-7	6, 7, 8, 9, 10, 11, 12
-6	7, 8, 9, 10, 11, 12

3. By touching the button “COOLING MODE”, you can select any of the three cooling modes: AUTO mode, wine mode and ice-cream mode. The corresponding indicator light will be on when a certain mode is selected. The system-set temperature is as follows.

Cooling mode	Freezer temperature (°C)	Fridge temperature (°C)
AUTO	-12	3
Wine	-8	12
Ice-cream	-12	6

4. When you open the drawer, the display shows the current temperature of the drawer. If the door of the fridge drawer keeps opening too long or it’s not closed very tight, the buzzer will alarm at intervals and the corresponding drawer’s temperature display will turn to a flashing “dr” to remind you to close the door in time.

Notes for storing food:

- Do not store foods which are easily addled at low temperature, such as bananas, cut tropical fruits. Excessive cooling will make the food discolored and its vitamin reduced.
- Do not put hot food into the drawer, for it will increase the temperature inside and affect the freshness of other foods.
- Do not open the drawer frequently. When the drawer is open, the hot air will come into the drawer and cause the rising of the inside temperature.
- Please use plastic wrap or bag to seal the food containers, or use a covered container to store food, in order to avoid the evaporation of food moisture and retain the flavor and nutrition of food. It can also reduce the smell inside the drawer.
- Food such as vegetables and fruits should be washed and scrubbed clean before put into the drawer.
- The bottles should be tightly placed to prevent them from tilting when opening the drawer.
- Adjust the temperature according to the food characteristics.

Audio operation function

1. Search and connect the Bluetooth device named as "T3" on your mobile phone. After the Bluetooth is connected, "BL" is displayed on the LED. Now the appliance's speaker works as the external speaker for your mobile phone.

Note: When the Bluetooth data transmission is disconnected, the voice prompts "Bluetooth disconnected". After 5 minutes, the Bluetooth will be reset. When the previous mobile device come back to the connectable range, the Bluetooth will be automatically connected.

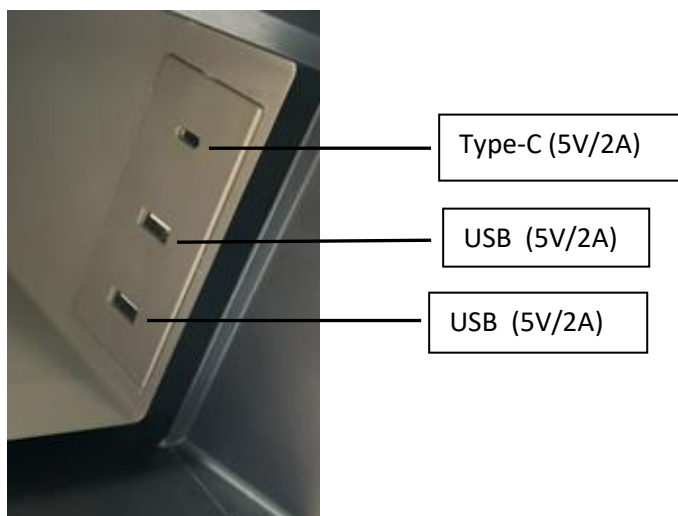
2. You can either operate on your mobile phone or on the control panel of the appliance, to make the song play/pause, switch songs or adjust volume. See the section "CONTROL PANEL" to find the function of each button. When you select the last track, "FF" is displayed on the LED. When you select the next track, "FB" is displayed on the LED.

3. Through a USB connection, the data will also be read and played. To switch the Bluetooth and USB playing, touch the Bluetooth/USB selection button to make the choice. When the USB playing mode is selected, "USB" is displayed on the LED.

4. There are 16 levels of volume, and the default volume is No. 8. Each time you press the volume-up button, the volume increases one level; each time you press the volume-down button, the volume decreases one level. The volume setting will be shown on the LED display, which will return to the source mode display after 2 seconds when the volume setting is finished.

USB Charging function

There are one type-C port and two USB ports. When the appliance is powered on, you can recharge the devices such as mobile phone, iPad, etc. by connecting your devices to the ports through a cable.



TIPS FOR ENERGY-SAVING

- Put the appliance in a cool and well-ventilated place. Keep it far away from heat sources and avoid direct sunlight.
- Minimize the time and frequency of door opening.
- Cover or wrap the food for storage.
- Do not put hot food or drink into the drawers before cooling off.
- Never overfill the drawers; allow the air to flow.
- Do not set the temperature too low. The lower the set temperature is, the higher temperature consumption is needed.

CLEANING AND CARE

For hygienic reasons the appliance (including exterior and interior accessories) should be cleaned regularly.

WARNING: The appliance must not be connected to the mains during cleaning. Danger of electrical shock! Before cleaning, switch the appliance off and remove the plug from the mains socket.

- After the appliance is disconnected from the power, use soft cloth with neutral cleaning solvent to clean the surface, and then make it dry.
- Do not spray water to the appliance. Clean the control panel, USB / Type-C sockets with a dry cloth only. Avoid electric shock and short circuit!
- Do not use the following materials for cleaning: weak acidic or alkaline cleaning agents, grinding powder detergents, Benzene zinc sodium water, alcohol, various acid oil, stiff brush, abrasive sponge brush, hot water, etc.
- The appliance is heavy. When cleaning, do not shake the appliance, make sure the table top is facing upwards.
- Do not clean the back net too hard in case the net is deformed and cleaning liquid enters into inside, which will cause short circuit.

Disassembly and cleaning of drawers

- Take out all the content in the drawer before removing the drawers.
- Pull the drawers to the end, lift the outside of the drawers a bit upwards and then pull the drawers out.
- You can wash the drawers by clean water. Dry them with soft cloth. Never use hot water for cleaning, in case these parts crack and hurt people.

Door seal cleaning

Door seal is easy to be dirty, aged and damaged, which will cause the refrigerating/freezing effect decline, so please keep it clean.

Use water to clean the door seal and dry it thoroughly.

Stop using the appliance

If you stop using the appliance for a long time, you'd better unplug the appliance and clean the drawers. Leave the drawer's doors open to avoid smell.

Note: If the plug has been taken out, you need to wait at least 5 minutes to put in the plug again. Do not stop the appliance too often.

TRANSPORT OF THE APPLIANCE

1. Switch off the appliance and take out the plug.
2. Take out all the food.
3. Use tape to fix the movable parts.
4. Close the drawer door and fix it with tape.

Caution! Don't put the appliance upside down at any circumstance. During the transport, please keep an angle no larger than 45 degree in order to avoid cooling system problem.

POWER FAILURE AND HANDLING

- If there is power failure, the drawers will keep the inside temperature within 1-2 hours even in summer. In this situation, do not put in more food, and try not to open the drawer's door.
- If you know the power failure in advance, you can put a water-tight container with ice into the drawer.

Note: Temperature in drawers goes up due to power failure or other reasons will affect the food quality.

TECHNICAL SPECIFICATIONS

Rated voltage:	220V-240V~
Rated current:	0.3A
Rated frequency:	50Hz
Lamp power:	1.5W
Climate class:	SN/N/ST/T
Refrigerant:	R600a(26g)
Protection against electrical shock:	I
Insulation blowing gas:	Cyclopentane
Noise level	40 dB(A)
Max. transmitting power	-6 ~ 4dBm
Frequency range	2402 - 2480MHz

Note: DID is reflected on the product rating label, which is pasted on the side of the drawer.

TROUBLESHOOTING

For some general symptoms, please check the table below.

Symptom	Possible cause	Solution
There is water flowing sound.	It's normal. It is refrigerant flowing inside.	/
No response when touching the buttons	The control panel is locked.	Check and unlock the control panel.
There is vibration sound.	It's the compressor working sound.	/
	The appliance has not been put on a stable and flat surface.	Replace the appliance on a stable and flat surface.
Charging failure	The appliance is not powered on.	Power on the appliance.
	The charging cable is broken.	Use a proper charging cable.
The compressor works without stop.	It's normal if the environment temperature is very high.	/
	The set temperature is too low.	Set an appropriate temperature.
	The drawer door is not fully closed.	Make sure the drawer door is tightly closed.
	The food put into the drawer is too hot.	Let the food cools down to room temperature before it is put into the drawer.
	If there is direct sunlight or other hot sources near the appliance.	Make sure the appliance is located in a cool place.
	Too much food is put into the drawer.	Arrange the drawer and make sure there is space for air flow.

GUARANTEE AND CUSTOMER SERVICE

Before delivery our devices are subjected to rigorous quality control. If, despite all care, damage has occurred during production or transportation, please return the device to your dealer. In addition to statutory legal rights, the purchaser has an option to claim under the terms of the following guarantee:

For the purchased device we provide 2 years guarantee, commencing from the day of sale. If you have a defective product, you can directly go back to the point of purchase.

Defects which arise due to improper handling of the device and malfunctions due to interventions and repairs by third parties or the fitting of non-original parts are not covered by this guarantee. Always keep your receipt, without the receipt you can't claim any form of warranty. Damage caused by not following the instruction manual, will lead to a void of warranty, if this results in consequential damages then we will not be liable. Neither can we hold responsible for material damage or personal injury caused by improper use or if the instruction manual are not properly executed. Damage to accessories does not mean free replacement of the whole appliance. In such case please contact our service department. Broken glass or breakage of plastic parts is always subject to a charge. Defects to consumables or parts subjected to wearing, as well as cleaning, maintenance or the replacement of said parts are not covered by the warranty and are to be paid.

The guarantee period of the spare parts is 2 years. If you need replacement, please contact our customer service.

ENVIRONMENT FRIENDLY DISPOSAL



Recycling – European Directive 2012/19/EU

This marking indicates that this product should not be disposed with other household wastes. To prevent possible harm to the environment or human health from uncontrolled waste disposal, recycle it responsibly to promote the sustainable reuse of material resources. To return your used

device, please use the return and collection systems or contact the retailer where the product was purchased. They can take this product for environmental safe recycling.

For professional repair and ordering spare parts, please contact our customer service.

Emerio B.V.

Zomervaart 1A

2033 DA Haarlem

The Netherlands

Customer service:

T: +31 (0) 23 3034369

E: emerio-de@sertronics.de

Kundeninformation:

T: +49 (0) 3222 1097 600

E: emerio-de@sertronics.de

Klantenservice:

T: +31 (0) 23 3034369

E: emerio-nl@sertronics.de

Übersetzung der Originalanleitung

SICHERHEITSINFORMATIONEN

Lesen Sie vor dem Gebrauch unbedingt die nachfolgenden Anleitungen, um Verletzungen oder Beschädigungen zu vermeiden und das beste Ergebnis mit dem Gerät zu erzielen. Bewahren Sie diese Bedienungsanleitung an einem sicheren Ort auf. Wenn Sie dieses Gerät an eine andere Person weitergeben, stellen Sie sicher, dass Sie auch diese Bedienungsanleitung aushändigen.

Im Falle von Beschädigungen, die durch die Missachtung der Anleitungen in dieser Bedienungsanleitung verursacht wurden, wird die Garantie ungültig. Der Hersteller/Importeur haftet nicht für Schäden, die durch Missachtung der Bedienungsanleitung, fahrlässigen Gebrauch oder Benutzung, die nicht in Übereinstimmung mit den Anforderungen dieser Bedienungsanleitung erfolgt, verursacht wurden.

1. Lesen und bewahren Sie diese Anleitungen auf. Achtung: Die Bilder in der Bedienungsanleitung dienen nur zur Veranschaulichung.
2. Dieses Gerät kann von Kindern ab 8 Jahren und von Personen mit eingeschränkten physischen, sensorischen oder geistigen Fähigkeiten oder ohne Erfahrung und/oder Wissen benutzt werden, wenn diese durch eine für ihre Sicherheit zuständige Person beaufsichtigt werden oder von ihr Anweisungen erhielten, wie das Gerät sicher zu benutzen ist und sie auf die Risiken aufmerksam gemacht wurden. Kinder dürfen nicht mit dem Gerät spielen. Kinder sollten dieses Gerät nicht unbeaufsichtigt reinigen oder warten.
3. Kinder im Alter zwischen 3 und 8 Jahren dürfen Kühlgeräte befüllen und leeren.
4. Wenn die Netzanschlussleitung dieses Gerätes beschädigt wird, muss sie durch den Hersteller oder seinen Kundendienst oder eine ähnlich qualifizierte Person ersetzt

werden, um Gefährdungen zu vermeiden.

5. Warnung! Beim Instandhalten, Reinigen und Auswechseln von Teilen muss das Gerät von der Spannungsquelle getrennt werden.
6. **WARNUNG:** Halten Sie die Lüftungsöffnungen im Gehäuse oder direkt im Gerät frei von Hindernissen.
7. **WARNUNG:** Setzen Sie bis auf die vom Hersteller empfohlenen Hilfsmittel keine anderen mechanischen Vorrichtungen oder Mittel ein, um den Abtauvorgang zu beschleunigen.
8. **WARNUNG:** Beschädigen Sie den Kältemittelkreislauf nicht.
9. **WARNUNG:** Verwenden Sie keine elektrischen Geräte in den Lebensmittelfächern des Geräts, es sei denn, sie entsprechen dem Typ, der vom Hersteller empfohlen wird.
10. Lagern Sie keine explosionsgefährlichen Spraydosen mit brennbarem Treibgas in diesem Gerät.
11. Dieses Gerät ist dazu bestimmt, im Haushalt und ähnlichen Anwendungsbereichen benutzt zu werden, wie z.B.:
 - in Personalküchen von Ladengeschäften, Büros und anderen Arbeitsumgebungen,
 - auf Bauernhöfen, von Gästen in Hotels, Motels und anderen Wohnumgebungen,
 - Pensionen und ähnlichen Unterkünften,
 - im Catering und ähnlichen Nicht-Einzelhandelsbereichen.
12. **WARNUNG:** Stellen Sie das Gerät so auf, dass das Versorgungskabel nicht eingeklemmt oder beschädigt wird.
13. **WARNUNG:** Stellen Sie keine Mehrfachsteckdosen oder tragbare Stromquellen an der Rückseite des Geräts auf.
14. Um eine Kontamination von Lebensmitteln zu vermeiden, beachten Sie bitte folgende Hinweise:
 - Ein längeres Öffnen des Deckels kann zu einer deutlichen Erhöhung der Temperatur im Gerät führen.
 - Reinigen Sie regelmäßig die Oberflächen, die mit Lebensmitteln und den zugänglichen Abläufen in Berührung kommen können.
 - Reinigen Sie die Wasserbehälter, wenn diese 48 Stunden lang nicht benutzt wurden. Spülen Sie den Wasserkreislauf, wenn 5 Tage lang kein Wasser

verbraucht wurde. (Gilt nur für Wasserspender und Wasserzulauf)

- Bewahren Sie Fleisch und Fisch in geeigneten Behältnissen im Kühlschrank auf, damit sie keinen Kontakt mit anderen Lebensmitteln bekommen oder auf sie tropfen können.
- Tiefkühlfächer mit 2 Sternen eignen sich für die Aufbewahrung tiefgekühlter Lebensmittel, zum Aufbewahren oder Herstellen von Speiseeis und Eiswürfeln.
- Zum Einfrieren frischer Lebensmittel sind Tiefkühlfächer mit einem, zwei oder drei Sternen nicht geeignet.
- Wenn das Kühlgerät längere Zeit leer bleibt, schalten Sie es aus, tauen Sie es ab, reinigen und trocknen sie es. Lassen Sie die Tür geöffnet, damit sich im Geräteinneren kein Schimmel bildet.

15. Dieses Kühlgerät ist nicht als Einbaugerät vorgesehen.

16. **Klimaklasse:**

- SN (Subnormal): Das Kühlgerät eignet sich für Umgebungstemperaturen von 10 bis 32 °C.
- N (Normal): Das Kühlgerät eignet sich für Umgebungstemperaturen von 16 bis 32 °C.
- ST (Subtropisch): Das Kühlgerät eignet sich für Umgebungstemperaturen von 16 bis 38 °C.
- T (Tropisch): Das Kühlgerät eignet sich für Umgebungstemperaturen von 16 bis 43 °C.

17. Ziehen Sie den Netzstecker aus der Steckdose, wenn das Gerät nicht benutzt wird, bevor Sie Teile befestigen bzw. abnehmen und bevor Sie das Gerät reinigen.

18. Achten Sie beim Anschließen des Netzsteckers darauf, dass dieser bis zum Anschlag in der Steckdose sitzt.

19. Schließen Sie den Stecker an eine geerdete Einzelsteckdose an.

20. Benutzen Sie das Gerät nicht an Orten, an denen brennbare und zündfähige Stoffe aufbewahrt werden.

21. Lassen Sie Ersatzteile aus Sicherheitsgründen immer von

- einem Vertragshändler reparieren oder auswechseln.
22. Der Motor ist dauergeschmiert und muss nicht nachgeölt werden.
 23. Das Gerät muss so aufgestellt werden, dass der Netzstecker stets zugänglich ist.
 24. Bei der Entsorgung des Geräts müssen die örtlichen Vorschriften befolgt werden, da das Gerät entzündliches Treibgas und Kältemittel enthält.
 25. Zum Reinigen des Geräts nur milde Reiniger oder Glasreiniger verwenden. Keine aggressiven Präparate oder Lösungsmittel verwenden.
 26. Stellen Sie keine heißen Speisen oder Getränke in die Fächer. Lassen Sie sie erst auf Zimmertemperatur abkühlen.
 27. Schließen Sie die Fächer sofort, nachdem Sie Lebensmittel hineingelegt haben, damit die Innentemperatur nicht übermäßig steigt.
 28. Halten Sie das Gerät fern von Wärmequellen und direktem Sonnenlicht.
 29. Zur Vermeidung von schweren Verletzungen das Gerät nicht benutzen, wenn Ihre Hände nass sind, wenn Sie auf nassem Untergrund oder im Wasser stehen.
 30. Nicht im Freien oder bei Nässe benutzen.
 31. Zum Trennen von der Steckdose nie am Netzkabel ziehen, sondern nur am Netzstecker.
 32. Das Netzkabel von beheizten Flächen fernhalten.
 33. Die Netzspannung im Haushalt muss mit den Spannungsangaben auf dem Typenschild am Gerät übereinstimmen.
 34. Dieses Gerät ist nicht für den Betrieb über eine externe Zeitschaltvorrichtung oder ein separates Fernbedienungssystem vorgesehen.
 35. Es empfiehlt sich, das Netzkabel regelmäßig auf schadhafte Stellen zu untersuchen. Wenn das Netzkabel beschädigt ist, darf das Gerät nicht benutzt werden.



36. **WARNUNG!** Brandgefahr / zündfähige Materialien

Das Gerät muss bei der Benutzung, Reparatur und Entsorgung weit genug von Zündquellen entfernt sein. Auf der Rückseite des Geräts befinden sich zündfähige Materialien.

37. Achten Sie darauf, dass keine Flüssigkeiten in den USB-/USB-C-Anschluss gelangen, da es sonst zu einem Kurzschluss kommen könnte. Wischen Sie bei der Reinigung nicht mit einem feuchten Tuch über den USB-/USB C-Anschluss.

38. Das Gerät ist nur zur Lagerung von Lebensmitteln geeignet. Es darf nicht für andere Zwecke benutzt werden, z. B. Lagerung von Blut, biologischen Produkten.

39. Brennbare und explosionsgefährliche Waren sowie stark ätzende Säuren, Basen und andere Chemikalien dürfen nicht in den Fächern aufbewahrt werden.

40. Um die Sicherheit zu gewährleisten, wird empfohlen, Steckdosen, Netzteile, Mikrowellenherde und andere Geräte nicht auf die Oberfläche des Geräts zu stellen. Verwenden Sie keine elektrischen Geräte im Inneren des Produkts, um elektromagnetische Störungen oder andere Störfälle zu vermeiden.

41. Es ist strengstens untersagt, das Produkt zu zerlegen, zu modifizieren oder die Kühlleitung zu beschädigen. Die Reparatur des Produkts muss von Fachleuten durchgeführt werden.

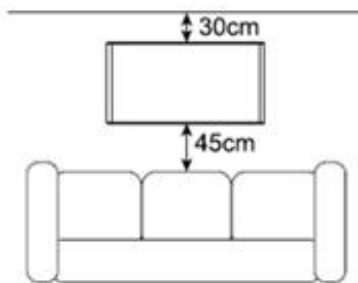
42. Um Informationen zu Installation, Benutzung, Handhabung, Wartung, Austausch der Lampe (sofern zutreffend), Reinigung und Entsorgung zu erhalten, lesen Sie bitte den nachfolgenden Abschnitt in der Bedienungsanleitung.

EINLEITUNG

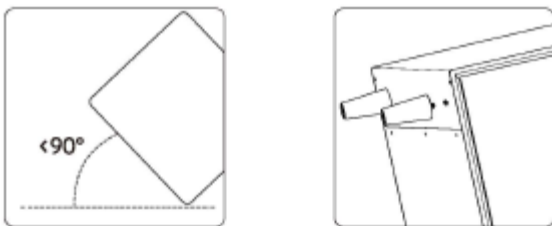
Dies ist eine praktische Kombination aus Haushaltsgerät und Möbelstück. Im Kühlschrankfach können Obst, Getränke und Snacks aufbewahrt werden und im Tiefkühlfach können Speiseeis und andere Lebensmittel aufbewahrt werden, die tiefgekühlt sein müssen. Das Produkt verfügt über eine Bluetooth-Verbindung mit Bluetooth 5.0 und USB- und USB-C-Anschlüsse, über die Musik abgespielt und Geräte wie Mobiltelefone, iPads usw. aufgeladen werden können.

VORBEREITUNG VOR DER ERSTEN BENUTZUNG

1. Entfernen Sie das gesamte Verpackungsmaterial einschließlich der Schaumstoffunterlage und des Schaumstoffklebebands zur Befestigung des Zubehörs. Ziehen Sie die transparente Folie von der Oberfläche ab, um eine normale Kühlung zu gewährleisten und den Stromverbrauch des Sofatischs nicht zu beeinträchtigen. Das Schaumstoffpolster muss bei der Verwendung des Sofatischs entfernt werden.
2. Stellen Sie das Gerät an einem Ort auf, der alle unten genannten Bedingungen erfüllt.
 - 1) Vermeiden Sie feuchte, kalte Umgebungen sowie direktes Sonnenlicht.
 - 2) Vor dem Gerät müssen mehr als 30 cm Platz frei bleiben. Ein Abstand zum Gerät von etwa 45 cm ist optimal.



- 3) Das Gerät sollte auf einen ebenen und festen Untergrund gestellt werden.
3. Zum Montieren der Füße nehmen Sie diese aus der rechten Gefrierschublade. Kippen Sie das Gerät nicht weiter als 90° und schrauben Sie die Füße unten am Gerät fest.

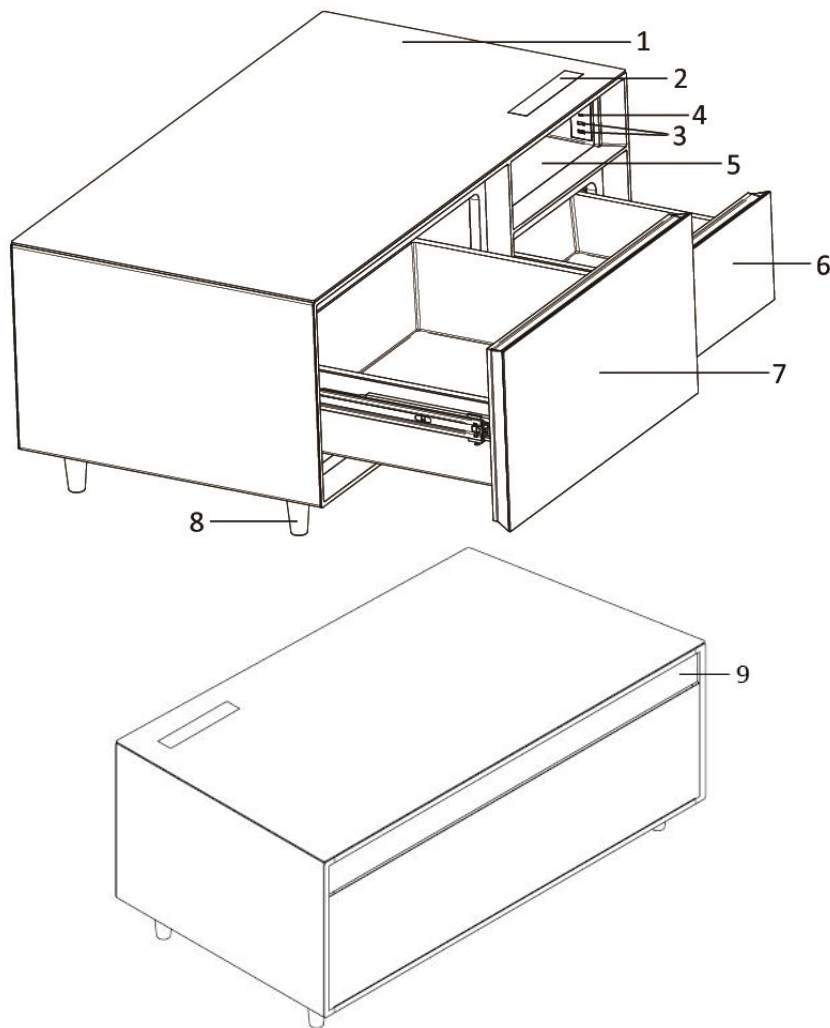


Hinweis:

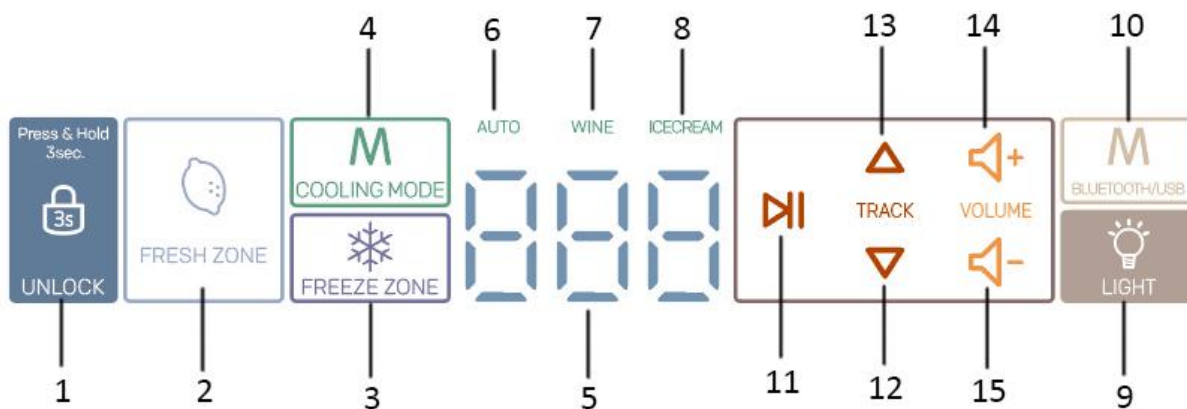
- Stellen Sie das Gerät beim Montieren nicht auf den Kopf.
 - Falls ein Sockel benötigt wird, sollte eine flache, massive und nicht brennbare Unterlage gewählt werden. Bei wackeligem Stand können die Gerätefüße verstellt werden. Verwenden Sie den Schaumstoff der Verpackung auf keinen Fall als Geräteunterlage.
4. Reinigen Sie das Gerät vor dem Gebrauch. Beachten Sie den Abschnitt „REINIGUNG UND WARTUNG“.
 5. Lassen Sie das Gerät immer mindestens 2 Stunden ruhen, nachdem Sie es bewegt oder gereinigt haben.
 6. Überprüfen Sie nach 2 Stunden Ruhe die USB- und USB C-Anschlüsse und stellen Sie sicher, dass kein Wasserdampf vorhanden ist. Das Netzkabel befindet sich unten am Gerät. Schließen Sie den Netzstecker an eine geeignete Steckdose an. Achten darauf, dass das Netzkabel locker verlegt wird, und verhindern Sie, dass man darüber stolpern kann.

SCHEMATISCHER AUFBAU

1. Tischplatte aus Glas
2. Bedienfeld
3. 2 USB-Anschlüsse
4. USB C-Anschluss
5. Abstellraum
6. Rechtes Tiefkühlfach
7. Linkes Kühlfach
8. Standfüße
9. Audio



BEDIENFELD



1. Entriegelungstaste
2. Temperatureinstellung für Kühlfach
3. Temperatureinstellung für Tiefkühlfach
4. Taste Kühlmodus
5. Digital-Display
6. Anzeigeleuchte automatischer Modus
7. Anzeigeleuchte Weinkühlmodus
8. Anzeigeleuchte Eiskrem-Modus
9. Taste Licht ein/aus
10. Bluetooth/USB-Auswahl
11. Audiowiedergabe/Pause
12. Nächster Titel

13. Vorheriger Titel
14. Lauter
15. Leiser

Hinweise:

- Wenn die Audiofunktion eingestellt ist, wird statt der Temperatur die gegenwärtige Audiowiedergabe angezeigt.
- Drücken Sie 3 Sekunden lang die Entsperrtaste, um die Kühl- und Tiefkühlfächer zu entriegeln. Der Audibereich kann unabhängig aktiviert oder geschlossen werden.
- Betätigen Sie die Lichttaste, um die Beleuchtung des Staufachs ein- oder auszuschalten.

Bedienung der Kühl- und Tiefkühlfächer

Nach dem ersten Einschalten befinden sich die Tasten im unverriegelten Zustand. Nach 10 Sekunden ohne Bedienung kehren sie in den verriegelten Zustand zurück.

1. Wenn Sie im verriegelten Zustand die Entriegelungstaste 3 Sekunden lang drücken, können Sie die jeweilige Zone mit den anderen Tasten bedienen.
2. Das rechte Fach ist das Tiefkühlfach. Um die Temperatur einzustellen, berühren Sie die Taste "FREEZE ZONE". Mit jedem Tastendruck wechselt die Temperatur zwischen -6 ° C und -12 ° C. Das linke Fach ist ein Kühlfach. Zum Einstellen der Temperatur berühren Sie die Taste "FRESH ZONE". Mit jeder Betätigung wechselt die Temperatur von 1 ° C zu 12 ° C. Je nachdem, für welches Fach eine Temperatur eingestellt wird, lassen sich unterschiedliche Temperaturbereiche festlegen. (Beachten Sie dazu die nachstehende Tabelle.) Wenn mehr als 3 Sekunden lang keine Bedienung erfolgt, wird die Einstellung bestätigt und die Anzeige hört auf zu blinken.

Eingestellte Tiefkühltemperatur (°C)	Einstellbare Kühlfachtemperatur (°C)
-12	1, 2, 3, 4, 5, 6, 7, 8
-11	2, 3, 4, 5, 6, 7, 8, 9
-10	3, 4, 5, 6, 7, 8, 9, 10
-9	4, 5, 6, 7, 8, 9, 10, 11
-8	5, 6, 7, 8, 9, 10, 11, 12
-7	6, 7, 8, 9, 10, 11, 12
-6	7, 8, 9, 10, 11, 12

3. Mit der Taste "COOLING MODE" können Sie aus drei Kühlfunktionen auswählen: AUTO (Automatisch), Wein und Eiskrem. Die entsprechende Anzeigeleuchte schaltet sich bei einer bestimmten Kühlfunktion ein. Folgenden Temperaturen sind vom System vorgegeben.

Kühlmodus	Gefriertemperatur (°C)	Kühlschranktemperatur (°C)
AUTO	-12	3
Wein	-8	12
Eiscreme	-12	6

4. Wenn Sie die Schublade öffnen, zeigt das Display die aktuelle Temperatur der Schublade an. Wenn die Tür des Kühlfachs zu lange geöffnet ist oder nicht richtig geschlossen wird, gibt der Summer einen regelmäßigen Warnton aus und in der Temperaturanzeige des jeweiligen Fachs blinkt "dr", um an das Schließen der Tür zu erinnern.

Hinweise zur Lebensmittellagerung:

- Lagern Sie Lebensmittel, die leicht sauer werden, nicht bei niedriger Temperatur, wie z. B. Bananen, geschnittene Südfrüchte. Bei zu starker Kühlung verfärbt sich das Lebensmittel und verliert seine Vitamine.
- Legen Sie keine heißen Lebensmittel in das Fach, denn dadurch steigt die Innentemperatur, sodass die Frische der übrigen Lebensmittel beeinträchtigt wird.
- Öffnen Sie die Schublade nicht zu oft. Wenn die Schublade geöffnet ist, gelangt warme Luft in die Schublade und verursacht den Anstieg der Innentemperatur.
- Bitte verwenden Sie Frischhaltefolie oder -beutel, um die Lebensmittelbehälter zu versiegeln, oder verwenden Sie einen abgedeckten Behälter zur Aufbewahrung von Lebensmitteln, um die Verdunstung der

Lebensmittelfeuchtigkeit zu vermeiden und den Geschmack und die Nährstoffe der Lebensmittel zu erhalten. Dadurch lassen sich auch Gerüche im Inneren der Schublade reduzieren.

- Lebensmittel wie Gemüse und Obst sollten gewaschen und sauber gebürstet werden, bevor sie in die Schublade gelegt werden.
- Flaschen sollten an einander stehen, damit sie beim Öffnen der Schublade nicht umkippen können.
- Stellen Sie die Temperatur entsprechend den Eigenschaften der Lebensmittel ein.

Audiofunktionen

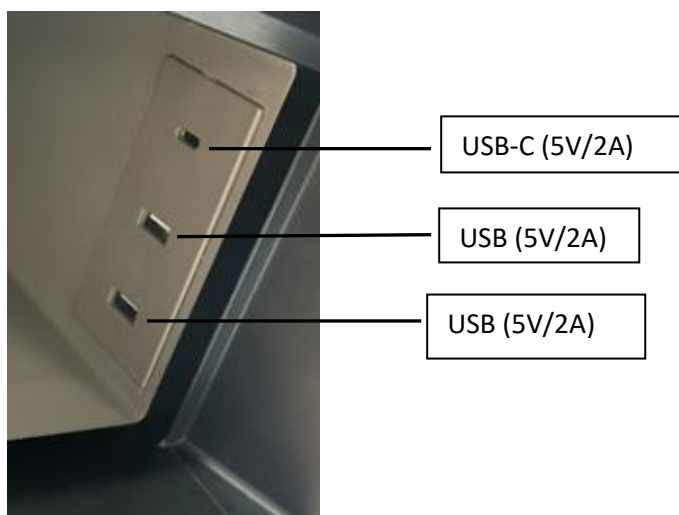
1. Suchen zum Koppeln ein Bluetooth-Gerät namens "T3" auf Ihrem Mobiltelefon. Nach dem Herstellen der Bluetooth-Verbindung erscheint "BL" in der LED-Anzeige. Der Gerätelautsprecher arbeitet jetzt als externer Lautsprecher für Ihr Mobiltelefon.

Hinweis: Wenn die Bluetooth-Verbindung getrennt wird, meldet eine Sprachnachricht "Bluetooth disconnected". Nach 5 Minuten wird die Bluetooth-Funktion zurückgesetzt. Wenn sich das vorherige Mobilgerät wieder in koppelbarer Reichweite befindet, wird die Bluetooth-Verbindung automatisch hergestellt.

2. Zur Wiedergabe/Pause, zum Weiterschalten der Titel oder zum Regeln der Lautstärke können Sie wahlweise Ihr Mobiltelefon oder das Bedienfeld am Gerät benutzen. Die Funktionen der einzelnen Tasten werden im Abschnitt "BEDIENFELD" beschrieben. Bei Auswahl des letzten Titels erscheint "FF" im LED-Display. Bei Auswahl des nächsten Titels erscheint „FB“ im LED-Display.
3. Die Daten werden auch per USB übertragen und abgespielt. Um zwischen der Wiedergabe über Bluetooth und USB umzuschalten, betätigen Sie die Bluetooth/USB-Auswahltaste. Wenn die Wiedergabe über USB aktiviert ist, erscheint "USB" im LED-Display.
4. Es gibt 16 Lautstärkestufen, wobei 8 die Standardlautstärke ist. Mit jedem Druck der Taste Lauter erhöht sich die Lautstärke um eine Stufe. Pro Tastendruck auf Leiser verringert sich die Lautstärke um eine Stufe. Die Lautstärkeeinstellung wird auf dem LED-Display angezeigt, das nach 2 Sekunden zur Anzeige des Quellenmodus zurückkehrt, wenn die Lautstärkeeinstellung beendet ist.

USB-Ladefunktion

Es gibt einen USB C und zwei normale USB-Anschlüsse. Wenn das Gerät eingeschaltet ist, können Sie andere Geräte wie Mobiltelefone, iPads usw. aufladen, indem Sie diese per USB-Kabel mit den USB-Geräteanschlüssen verbinden.



ENERGIESPARTIPPS

- Stellen Sie das Gerät an einem kühlen und gut belüfteten Ort auf. Halten Sie es weit von Wärmequellen entfernt und vermeiden Sie direkte Sonneneinstrahlung.
- Öffnen Sie die Schubladen so kurz und so wenig wie möglich.
- Decken Sie die Lebensmittel zur Lagerung ab oder wickeln Sie sie ein.
- Lassen Sie heiße Speisen und Getränke erst abkühlen, bevor Sie sie in die Fächer legen.

- Überfüllen Sie die Schubladen nicht; lassen Sie die Luft zirkulieren.
- Stellen Sie die Temperatur nicht zu niedrig ein. Je niedriger die eingestellte Temperatur ist, desto höher ist der Stromverbrauch.

REINIGUNG UND PFLEGE

Aus hygienischen Gründen sollte das Gerät regelmäßig (von innen und außen) gereinigt werden.

WARNUNG: Während der Reinigung darf das Gerät nicht an die Steckdose angeschlossen werden. Stromschlaggefahr! Schalten Sie das Gerät vor der Reinigung aus und ziehen Sie den Netzstecker.

- Nachdem das Gerät von der Stromversorgung getrennt wurde, verwenden Sie ein weiches Tuch mit neutralem Reinigungsmittel, um die Oberfläche zu reinigen, und lassen Sie sie anschließend trocknen.
- Spritzen Sie kein Wasser auf das Gerät. Reinigen Sie das Bedienfeld, die USB / USB-C-Buchsen nur mit einem trockenen Tuch. Vermeiden Sie Stromschläge und Kurzschlüsse!
- Verwenden Sie folgende Materialien nicht zur Reinigung: schwach saure oder alkalische Reinigungsmittel, Scheuerpulver, Alkohol, verschiedene saure Öle, steife Bürste, Scheuerschwämme, heißes Wasser usw.
- Das Gerät ist schwer. Schütteln Sie das Gerät beim Reinigen nicht, achten Sie darauf, dass die Tischplatte nach oben zeigt.
- Reinigen Sie die hintere Netzabdeckung nicht zu stark, da sich sonst das Netz verformt und Reinigungsflüssigkeit ins Innere gelangt, was zu einem Kurzschluss führt.

Demontage und Reinigung der Schubladen

- Nehmen Sie den gesamten Inhalt aus den Fächern, bevor Sie die Fächer entnehmen.
- Ziehen Sie die Schubladen bis zum Ende, heben Sie die Außenseite der Schubladen ein Stück nach oben und ziehen Sie dann die Schubladen heraus.
- Sie können die Fächer mit klarem Wasser abwaschen. Trocknen Sie sie mit einem weichen Tuch ab. Verwenden Sie zur Reinigung niemals heißes Wasser, da diese Teile sonst reißen und Personen verletzen können.

Reinigung der Türdichtung

Schützen Sie die Türdichtung vor Schmutz, Abnutzung und Beschädigungen, um zu verhindern, dass die Kühl-/Gefrierwirkung sich nachlässt. Halten Sie die Dichtung sauber.

Reinigen Sie die Türdichtung mit Wasser und trocknen Sie sie gründlich.

Bei Nichtverwendung des Geräts

Wenn Sie das Gerät für längere Zeit nicht benutzen, sollten Sie den Stecker ziehen und die Schubladen reinigen. Lassen Sie die Türen der Schublade offen, um Gerüche zu vermeiden.

Hinweis: Wenn der Stecker herausgezogen wurde, müssen Sie mindestens 5 Minuten warten, um den Stecker wieder einzustecken. Halten Sie das Gerät nicht zu oft an.

TRANSPORT DES GERÄTS

1. Schalten Sie das Gerät aus und ziehen Sie den Stecker heraus.
2. Nehmen Sie alle Lebensmittel heraus.
3. Verwenden Sie Klebeband, um die beweglichen Teile zu fixieren.
4. Schließen Sie die Schublادتür und fixieren Sie sie mit Klebeband.

Vorsicht! Das Gerät darf unter keinen Umständen auf den Kopf gestellt werden. Halten Sie beim Transport einen Winkel von nicht mehr als 45 Grad ein, um Probleme mit dem Kühlsystem zu vermeiden.

STROMAUSFALL UND GEBRAUCH

- Bei einem Stromausfall halten die Schubladen die Innentemperatur auch im Sommer etwa 1-2 Stunden. Legen Sie in dieser Situation keine weiteren Lebensmittel hinein, und versuchen Sie, die Tür der Schublade nicht zu öffnen.
- Wenn Sie den Stromausfall im Voraus kennen, können Sie einen wasserdichten Behälter mit Eis in die Schublade stellen.

Hinweis: Wenn die Temperatur in den Schubladen aufgrund eines Stromausfalls oder aus anderen Gründen ansteigt, wird die Qualität der Lebensmittel beeinträchtigt.

TECHNISCHE DATEN

Nennspannung:	220V-240V~
Bemessungsstrom:	0,3 A
Nennfrequenz:	50 Hz
Leistung des Leuchtmittels:	1,5 W
Klimaklasse:	SN/N/ST/T
Kältemittel:	R600a (26 g)
Stromschlag-Schutzisolation:	I
Dämmstoff:	Cyclopentan
Geräuschpegel	40 dB(A)
Max. Übertragungsleistung	-6 ~ 4 dBm
Frequenzbereich	2402 - 2480MHz

Hinweis: DID steht auf dem Typenschild an der Innenwand des Fachs.

PROBLEMBEHEBUNG

Einige allgemeine Symptome finden Sie in der folgenden Tabelle.

Symptom	Mögliche Ursache	Lösung
Geräusch von fließendem Wasser.	Das ist normal. Es ist das Kältemittel, das im Inneren fließt.	/
Keine Reaktion beim Berühren der Tasten	Das Bedienfeld ist gesperrt.	Bedienfeld prüfen und entsperren.
Vibrationsgeräusch.	Das ist das Betriebsgeräusch des Kompressors.	/
	Das Gerät wurde nicht auf einen stabilen und flachen Untergrund gestellt.	Das Gerät auf einen stabilen und flachen Untergrund abstellen.
USB-Ladefehler	Das Gerät ist nicht eingeschaltet.	Gerät einschalten.
	Das Ladekabel ist gebrochen.	Unbeschädigtes Ladekabel verwenden.
Der Kompressor arbeitet ohne Unterbrechung.	Das ist normal, wenn die Umgebungstemperatur sehr hoch ist.	/
	Die eingestellte Temperatur ist zu niedrig.	Geeignete Temperatur einstellen.
	Die Schubladentür ist nicht vollständig geschlossen.	Sicherstellen, dass die Schubladentür fest geschlossen ist.
	Die in die Schublade eingelegten Lebensmittel sind zu heiß.	Lassen Sie die Speisen auf Raumtemperatur abkühlen, bevor Sie sie in die Schublade geben.
	Wenn sich in der Nähe des Geräts direkte Sonneneinstrahlung oder andere heiße Quellen befinden.	Sicherstellen, dass sich das Gerät an einem kühlen Ort befindet.
	Es wurden zu viele Lebensmittel in die Schublade gelegt.	Machen Sie in der Schublade Ordnung und stellen Sie sicher, dass Platz für den Luftstrom vorhanden ist.

GARANTIE UND KUNDENSERVICE

Vor der Lieferung werden unsere Geräte einer strengen Qualitätskontrolle unterzogen. Wenn, trotz aller Sorgfalt, während der Produktion oder dem Transport Beschädigungen aufgetreten sind, senden Sie das Gerät zurück an den Händler. Zusätzlich zu den gesetzlichen Rechten hat der Käufer die Option, gemäß den folgenden Bedingungen Garantie zu fordern:

Wir bieten eine 2-Jahres-Garantie für das erworbene Gerät, beginnend am Tag des Verkaufs. Wenn Sie ein defektes Produkt haben, nehmen Sie bitte direkt Kontakt mit dem Verkäufer auf.

Defekte, die aufgrund von unangemessenem Umgang mit dem Gerät entstehen und Störungen aufgrund von Eingriffen und Reparaturen Dritter oder das Montieren von nicht-Originalteilen werden nicht von dieser Garantie abgedeckt. Die Quittung immer aufbewahren, ohne Quittung wird jegliche Garantie ausgeschlossen. Bei Schäden durch Nichteinhalten der Bedienungsanleitung erlischt die Garantie, Wir sind für daraus resultierende Folgeschäden nicht haftbar. Für Materialschäden oder Verletzungen aufgrund falscher Anwendung oder Nichtbefolgen der Sicherheitshinweise sind wir nicht haftbar. Schäden an den Zubehörteilen bedeutet nicht, dass das gesamte Gerät kostenlos ausgetauscht wird. In diesem Fall kontaktieren Sie unseren Kundendienst. Zerbrochenes Glas oder Kunststoffteile sind immer kostenpflichtig. Schäden an Verbrauchsmaterialien oder Verschleißteilen, sowie Reinigung, Wartung oder Austausch der besagten Teile werden durch die Garantie nicht abgedeckt und sind deshalb kostenpflichtig.

Für Ersatzteile gilt ein Garantiezeitraum von 2 Jahren. Bitte wenden Sie sich an unseren Kundenservice, falls Sie Ersatzteile benötigen.

UMWELTGERECHTE ENTSORGUNG



Wiederverwertung – Europäischen Richtlinie 2012/19/EG

Dieses Symbol zeigt an, dass das Produkt nicht zusammen mit Haushaltsabfällen entsorgt werden darf. Um Umwelt- und Gesundheitsschäden durch unkontrollierte Abfallentsorgung zu verhindern, bitte verantwortungsbewusst entsorgen, um die nachhaltige Wiederverwertung von Ressourcen zu fördern. Nutzen Sie zur Rückgabe Ihres Altgeräts bitte die Rückgabe- und Sammelsysteme oder wenden Sie sich an den Händler bei dem Sie dieses Gerät erworben haben. Dieser kann das Gerät umweltschonend entsorgen.

Für eine professionelle Reparatur und das Bestellen von Ersatzteilen wenden Sie sich bitte an unseren Kundendienst.

Emerio B.V.
Zomervaart 1A
2033 DA Haarlem
The Netherlands

Customer service:
T: +31 (0) 23 3034369
E: emerio-de@sertronics.de

Kundeninformation:
T: +49 (0) 3222 1097 600
E: emerio-de@sertronics.de

Klantenservice:
T: +31 (0) 23 3034369
E: emerio-nl@sertronics.de

Instructions originales

CONSIGNES DE SECURITÉ

Avant d'utiliser l'appareil, lisez toutes les consignes suivantes pour éviter des blessures et des dommages, et pour optimiser les performances de votre appareil. Conservez cette notice d'utilisation dans un endroit sûr. Si vous donnez ou transférez cet appareil à un tiers, veillez à lui remettre également cette notice d'utilisation.

En cas de détérioration due au non-respect par l'utilisateur des instructions de cette notice d'utilisation, la garantie est annulée. Le fabricant/importateur rejette toute responsabilité en cas de dommages dus au non-respect des instructions de la notice d'utilisation, à un usage négligent ou à l'usage non conforme aux exigences de cette notice d'utilisation.

1. Lisez et conservez ces instructions. Attention: les images incluses dans le manuel d'instructions servent de référence seulement.
2. Cet appareil peut être utilisé par des enfants âgés d'au moins 8 ans et par des personnes ayant des capacités physiques, sensorielles ou mentales réduites ou dénuées d'expérience ou de connaissance, s'ils (si elles) sont correctement surveillé(e)s ou si des instructions relatives à l'utilisation de l'appareil en toute sécurité leur ont été données et si les risques encourus ont été appréhendés. Les enfants ne doivent pas jouer avec l'appareil. Le nettoyage et l'entretien par l'usager ne doivent pas être effectués par des enfants sans surveillance.
3. Les enfants âgés de 3 à 8 ans sont autorisés à charger et décharger les appareils de réfrigération.
4. Si le câble d'alimentation est endommagé, il doit être remplacé par le fabricant, son service après vente ou des personnes de qualification similaire afin d'éviter un danger.

5. Avertissement ! L'appareil doit être débranché de l'alimentation pour les opérations de nettoyage, d'entretien et de remplacement de pièces.
6. **MISE EN GARDE** : Maintenir dégagées les ouvertures de ventilation dans l'enceinte de l'appareil ou dans la structure d'encastrement.
7. **MISE EN GARDE** : Ne pas utiliser de dispositifs mécaniques ou autres moyens pour accélérer le processus de dégivrage autres que ceux recommandés par le fabricant.
8. **MISE EN GARDE** : Ne pas endommager le circuit de réfrigération.
9. **MISE EN GARDE** : Ne pas utiliser d'appareils électriques à l'intérieur du compartiment de stockage des denrées, à moins qu'ils ne soient du type recommandé par le fabricant.
10. Ne pas stocker dans cet appareil des substances explosives telles que des aérosols contenant des gaz propulseurs inflammables.
11. Cet appareil est destiné à être utilisé dans des applications domestiques et analogues telles que:
 - les coins cuisines réservés au personnel des magasins, bureaux et autres environnements professionnels;
 - les fermes et l'utilisation par les clients des hôtels, motels et autres environnements à caractère résidentiel;
 - les environnements de type chambres d'hôtes;
 - la restauration et autres applications similaires hormis la vente au détail.
12. **Avertissement** : Lors du positionnement de l'appareil, assurez-vous que le cordon d'alimentation n'est pas tordu ou endommagé.
13. **Avertissement** : Ne pas installer plusieurs prises de courant portatives ou blocs d'alimentation portatifs à l'arrière de l'appareil.
14. Pour éviter la contamination des aliments, il y a lieu de respecter les instructions suivantes :

- Des ouvertures de la porte de manière prolongée sont susceptibles d'entraîner une augmentation significative de température des compartiments de l'appareil.
- Nettoyer régulièrement les surfaces susceptibles d'être en contact avec les aliments et les systèmes d'évacuation accessibles.
- Nettoyer les récipients d'eau s'ils n'ont pas été utilisés pendant 48 h; bien rincer le système de distribution raccordé à un réseau de distribution d'eau si de l'eau n'a pas été prélevée pendant 5 jours. (S'applique uniquement au distributeur d'eau et au circuit d'arrivée d'eau)
- Entreposer la viande et le poisson crus dans les bacs du réfrigérateur qui conviennent, de telle sorte que ces denrées ne soient pas en contact avec d'autres aliments ou qu'elles ne s'égouttent pas sur les autres aliments.
- Les compartiments «deux étoiles» pour denrées congelées conviennent pour stocker des aliments précongelés, stocker ou fabriquer de la crème glacée et des cubes de glace.
- Les compartiments «une, deux et trois étoiles» ne conviennent pas pour la congélation des denrées alimentaires fraîches.
- Si l'appareil de réfrigération demeure vide de manière prolongée, le mettre hors tension, en effectuer le dégivrage, le nettoyer, le sécher, et laisser la porte ouverte pour prévenir le développement de moisissures à l'intérieur de l'appareil.

15. Ce réfrigérateur n'est pas encastrable.

16. **Classe climatique :**

- Tempérée élargie (SN) : « Cet appareil de réfrigération est destiné à être utilisé à des températures ambiantes comprises entre 10°C et 32°C » ;
- Tempérée (N) : « Cet appareil de réfrigération est destiné à être utilisé à des températures ambiantes comprises entre 16°C et 32°C » ;

- Subtropicale (ST) : « Cet appareil de réfrigération est destiné à être utilisé à des températures ambiantes comprises entre 16°C et 38°C » ;
 - Tropicale (T) : « Cet appareil de réfrigération est destiné à être utilisé à des températures ambiantes comprises entre 16°C et 43°C ».
17. En cas d'inutilisation, débranchez l'appareil de la prise secteur avant d'installer ou de retirer des pièces et avant de le nettoyer.
 18. Lorsque vous branchez l'appareil, veillez à bien enfoncer la fiche dans la prise secteur.
 19. Branchez la fiche dans une prise de courant avec mise à la terre.
 20. N'utilisez jamais l'appareil dans un endroit où des produits combustibles et des matériaux inflammables sont entreposés.
 21. Pour des raisons de sécurité, assurez-vous de réparer ou de remplacer les pièces chez un réparateur agréé.
 22. Le moteur est lubrifié en permanence et n'a pas besoin d'huile.
 23. L'appareil doit être placé de manière à ce que la fiche reste accessible.
 24. Veuillez respecter les réglementations locales relatives à la mise au rebut de l'appareil en raison de son gaz propulseur inflammable.
 25. Pour nettoyer l'appareil, utilisez uniquement des nettoyeurs doux ou des nettoyeurs à vitres. N'utilisez jamais de nettoyeurs agressifs ou de solvants.
 26. Ne placez pas de boissons ou d'aliments chauds dans les tiroirs avant qu'ils ne refroidissent à la température ambiante.
 27. Fermez les tiroirs immédiatement après y avoir placé des articles afin que la température intérieure n'augmente pas de façon spectaculaire.
 28. Tenez l'appareil à l'écart de toute source de chaleur ou de la lumière directe du soleil.

29. Pour éviter tout risque de blessures causées par un choc électrique, n'utilisez pas l'appareil avec les mains mouillées, lorsque vous êtes debout sur une surface mouillée ou lorsque vous avez les pieds dans l'eau.
30. N'utilisez pas l'appareil en extérieur ou dans un environnement humide.
31. Ne tirez jamais sur le câble pour débrancher l'appareil de la prise. Saisissez la fiche et retirez-la de la prise.
32. Éviter que le câble ne rentre en contact avec des surfaces chauffées.
33. Vérifiez que la tension d'alimentation de votre prise secteur est la même que celle indiquée sur la plaque signalétique de ce produit.
34. Cet appareil n'est pas conçu pour fonctionner à l'aide d'un dispositif de commutation externe, comme une minuterie ou un système de télécommande.
35. Il est recommandé de contrôler régulièrement le câble d'alimentation afin de s'assurer qu'il ne présente aucun signe de détérioration. Si le câble est endommagé, l'appareil ne doit pas être utilisé.



36. Danger; risque d'incendie/ matières inflammables

Tenez le produit loin des sources inflammables lors de son utilisation, son entretien et sa mise au rebut. Des matériaux inflammables sont présents à l'arrière de l'appareil.

37. Évitez l'entrée de liquide dans le port USB / Type-C pour éviter tout risque de court-circuit. N'utilisez pas de tissu humide pour essuyer le port USB / Type-C lors du nettoyage.
38. L'appareil convient uniquement au stockage des aliments. Il ne peut pas être utilisé à d'autres fins, telles que le stockage de sang ou de produits biologiques.
39. Les produits dangereux inflammables et explosifs ainsi que les acides forts corrosifs, les alcalis et autres produits

chimiques ne doivent pas être stockés dans les tiroirs.

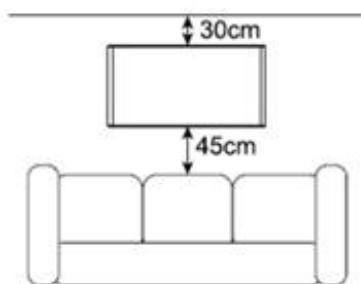
40. Pour des raisons de sécurité, il est recommandé de ne pas mettre de prise, d'alimentation électrique, de fours à micro-ondes et d'appareils à la surface du produit. N'utilisez pas d'appareils électriques à l'intérieur du produit afin d'éviter les interférences électromagnétiques ou les autres accidents.
41. Il est strictement interdit de démonter, modifier le produit ou d'endommager la ligne de réfrigération. Le produit doit être réparé par des professionnels.
42. En ce qui concerne les informations relatives à l'installation, la manipulation, l'utilisation, l'entretien, le remplacement de la lampe (le cas échéant), le nettoyage et l'élimination de l'appareil, veuillez vous référer au paragraphe ci-dessous du manuel.

INTRODUCTION GÉNÉRALE

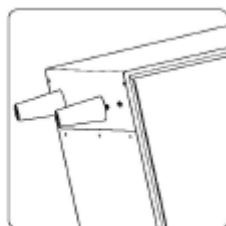
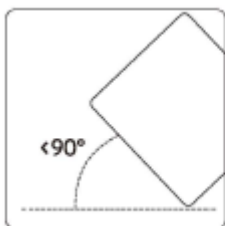
Ce produit est un appareil et un meuble créatif. Le tiroir du réfrigérateur peut stocker des fruits, des boissons et des snacks ; le compartiment de congélation peut stocker des crème glacée et d'autres aliments qui doivent être congelés. Le produit dispose d'une connexion Bluetooth prenant en charge Bluetooth 5.0, de ports USB et Type-C, ce qui permet de lire de la musique et de recharger des appareils tels que le téléphone portable, l'iPad, etc..

AVANT LA PREMIÈRE UTILISATION

1. Retirez tous les matériaux d'emballage, y compris le socle en mousse et le ruban en mousse pour la fixation des accessoires. Déchirez le film transparent situé en surface afin de ne pas affecter la réfrigération et la consommation d'énergie de l'appareil. Le coussin en mousse doit être retiré pour pouvoir utiliser la table basse.
2. Placez l'appareil à un endroit qui répond à toutes les conditions ci-dessous.
 - 1) Évitez d'installer la table basse dans un environnement humide, froid et exposé à la lumière directe du soleil.
 - 2) Veillez à laisser un espace de plus de 30 cm devant la table basse. La distance idéale entre le canapé et la table basse est d'environ 45 cm.



- 3) L'appareil doit être placé sur un sol plat et solide.
3. Pour installer les pieds, retirez les pieds du tiroir droit du congélateur ; inclinez l'appareil sur 90 ° au maximum ; alignez et fixez les pieds sous l'appareil.

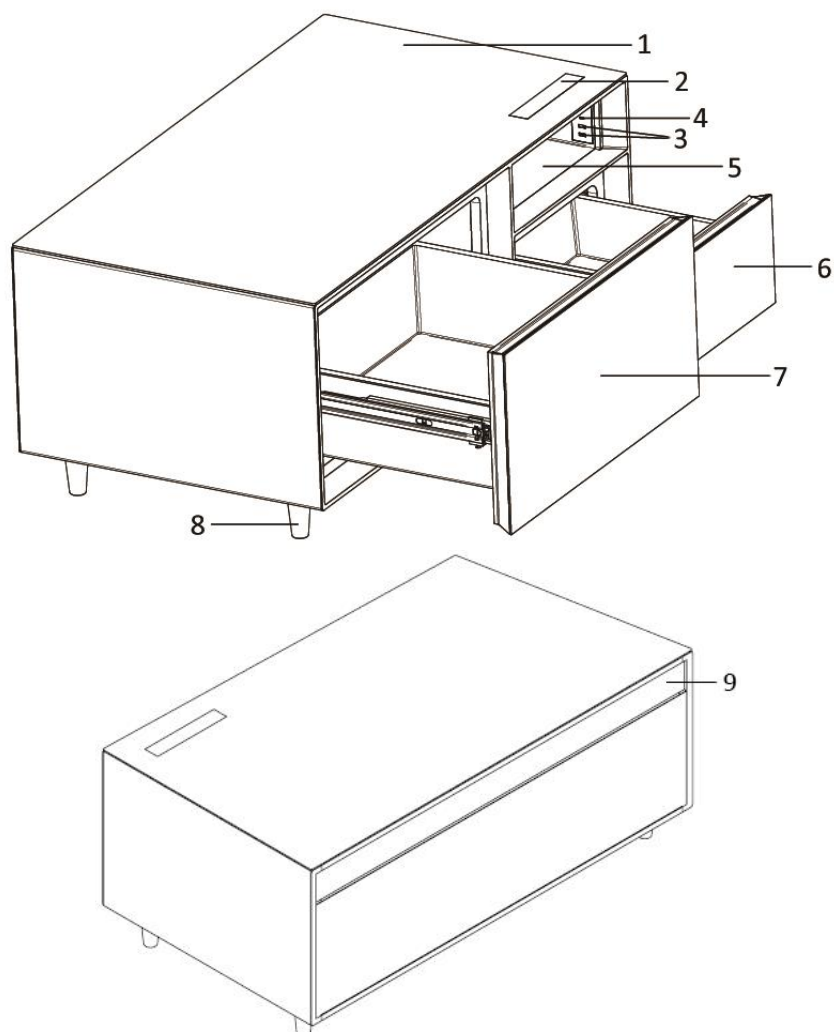


Remarque :

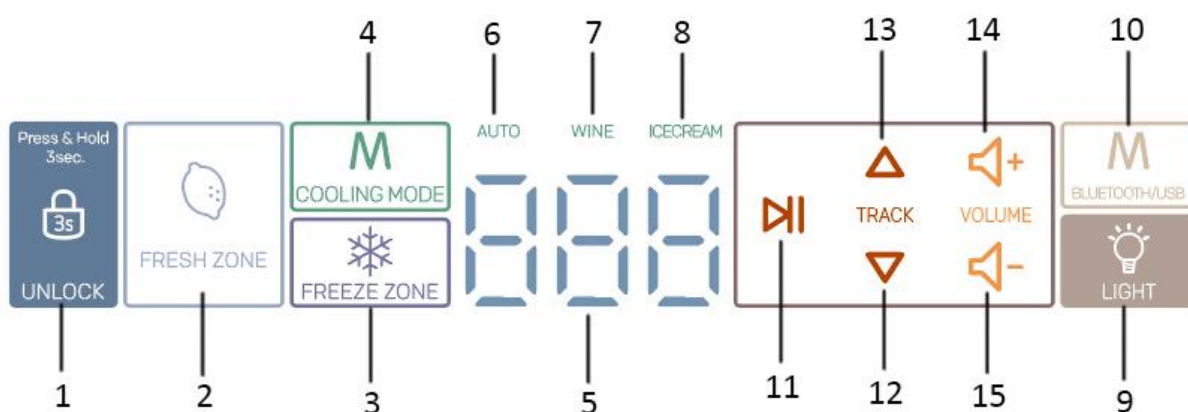
- Ne mettez pas l'appareil à l'envers pendant l'installation.
 - Si la surélévation est nécessaire, il faut choisir un support plat, solide et ininflammable. Si le produit est légèrement instable, ajustez les pieds réglables pour le stabiliser. N'utilisez jamais la mousse d'emballage pour le support de la base.
4. Lavez le appareil avant de l'utiliser. Reportez-vous à la section « NETTOYAGE ET ENTRETIEN ».
 5. Laissez toujours l'appareil au repos pendant au moins 2 heures après l'avoir déplacé ou nettoyé.
 6. Après un repos de 2 heures, vérifiez les ports USB et Type-C, en vous assurant qu'il n'y a pas de vapeur d'eau. Le cordon d'alimentation se trouve au bas de l'appareil. Branchez la fiche dans une prise de courant appropriée. Laissez une longueur suffisante de cordon d'alimentation mais de façon à éviter tout risque de chute.

DESCRIPTION DE L'APPAREIL

1. Plateau en verre
2. Panneau de commande
3. Port USB (x 2)
4. Port de type C
5. Espace de rangement
6. Tiroir de congélation droit
7. Tiroir de réfrigération gauche
8. Pieds
9. Audio



PANNEAU DE COMMANDE



1. Bouton de déverrouillage
2. Réglage de la température du tiroir de réfrigération
3. Réglage de la température du tiroir de congélation
4. Bouton de mode de refroidissement
5. Affichage numérique
6. Indicateur lumineux du mode automatique
7. Indicateur lumineux du mode vin
8. Indicateur lumineux du mode crème glacée
9. Bouton de mise en (marche / arrêt de la lumière)
10. Sélection Bluetooth / USB
11. Lecture audio / pause

12. Plage suivante
13. Plage précédente
14. Augmentation du volume
15. Diminution du volume

Remarques :

- Lorsque la fonction audio est activée, aucune des températures ne s'affiche. Ce sont les réglages audio actuels qui s'affichent.
- Appuyez sur le bouton de déverrouillage pendant 3 secondes, les tiroirs de réfrigération et de congélation seront déverrouillés. La section audio peut être activée ou désactivée indépendamment.
- Appuyez sur le bouton marche / arrêt de la lumière, la lumière du compartiment de rangement sera allumée ou éteinte.

Fonctionnement des tiroirs de réfrigération et de congélation

Après la première mise sous tension, les boutons sont en mode non verrouillé et ils passent en mode verrouillé après 10 secondes sans opération.

1. En mode verrouillé, appuyez sur le bouton de déverrouillage pendant 3 secondes, puis appuyez sur les autres boutons de cette zone pour les utiliser.
2. Le tiroir de droite est un tiroir de congélation ; pour régler sa température, appuyez sur le bouton « FREEZE ZONE », et la température passera progressivement de -6 °C à -12 °C à chaque pression. Le tiroir de gauche est un tiroir de réfrigération ; pour régler sa température, appuyez sur le bouton « FRESH ZONE », et la température passera progressivement de 1 °C à 12 °C à chaque pression, mais il y a différentes plages de température réglables selon la température du tiroir de congélation que vous avez réglée. (Voir le tableau de référence ci-dessous) Si vous n'effectuez aucune opération pendant plus de 3 secondes, le réglage sera confirmé et l'affichage cessera de clignoter.

La température du congélateur que vous avez réglée (° C)	La plage de température du réfrigérateur que vous pouvez régler (° C)
-12	1, 2, 3, 4, 5, 6, 7, 8
-11	2, 3, 4, 5, 6, 7, 8, 9
-10	3, 4, 5, 6, 7, 8, 9, 10
-9	4, 5, 6, 7, 8, 9, 10, 11
-8	5, 6, 7, 8, 9, 10, 11, 12
-7	6, 7, 8, 9, 10, 11, 12
-6	7, 8, 9, 10, 11, 12

3. En appuyant sur le bouton « COOLING MODE », vous pouvez sélectionner l'un des trois modes de refroidissement : Mode AUTO, mode vin et mode crème glacée. L'indicateur lumineux correspondant s'allume lorsqu'un certain mode est sélectionné. La température réglée par le système est la suivante.

Mode rafraîchissement	Température du congélateur (°C)	Température du réfrigérateur (°C)
AUTO	-12	3
Vin	-8	12
Crème glacée	-12	6

4. Lorsque vous ouvrez un tiroir, la température à l'intérieur du tiroir apparaît sur l'affichage. Si la porte du tiroir du réfrigérateur reste ouverte trop longtemps ou si elle n'est pas très bien fermée, la sonnerie émet une alarme à intervalles réguliers et l'affichage de la température du tiroir correspondant se transforme en un "dr" clignotant pour vous rappeler de fermer la porte à temps.

Remarques concernant le stockage des aliments :

- Ne stockez pas d'aliments qui pourrissent facilement à basse température, comme les bananes, les fruits tropicaux découpés. Un refroidissement excessif entraînera une décoloration des aliments et une perte de leurs vitamines.
- Ne mettez pas d'aliments chauds dans le tiroir, car cela augmenterait la température à l'intérieur et affecterait la fraîcheur des autres aliments.
- N'ouvrez pas fréquemment les tiroirs. Lorsqu'un tiroir est ouvert, de l'air chaud rentre dans le tiroir et la température à l'intérieur du tiroir augmente.
- Veuillez utiliser du film alimentaire ou des sachets pour fermer hermétiquement les récipients alimentaires, ou utilisez un récipient avec un couvercle pour stocker les aliments, afin d'éviter que l'humidité des aliments ne s'évapore et conserver les saveurs et les nutriments des aliments. Cela permet également de limiter les odeurs à l'intérieur des tiroirs.
- Les aliments comme les fruits et les légumes doivent être lavés et brossés avant d'être mis dans le tiroir.
- Les bouteilles doivent être rangées les unes contre les autres afin d'éviter qu'elles ne basculent lors de l'ouverture du tiroir.
- Réglez la température en fonction du type d'aliments à stocker.

Fonction audio

1. Recherchez et connectez le périphérique Bluetooth nommé « T3 » sur votre téléphone portable. Une fois le Bluetooth connecté, « BL » s'affiche sur la LED. Le haut-parleur de l'appareil fonctionne alors comme un haut-parleur externe pour votre téléphone portable.

Remarque : Lorsque la transmission de données Bluetooth est déconnectée, le message vocal « Bluetooth disconnected » (« Bluetooth déconnecté ») est émis. Après 5 minutes, le Bluetooth sera réinitialisé. Lorsque le précédent appareil portable est de nouveau détecté, la connexion Bluetooth est automatiquement établie.

2. Vous pouvez utiliser votre téléphone portable ou le panneau de commande de l'appareil pour mettre en lecture / en pause la plage, changer de plage ou régler le volume. Consultez la section « PANNEAU DE COMMANDE » pour connaître la fonction de chaque bouton. Lorsque vous sélectionnez la dernière plage, « FF » s'affiche sur l'écran LED. Lorsque vous sélectionnez la plage suivante, « FB » s'affiche sur l'écran LED.
3. Grâce à une connexion USB, les données seront également lues et reproduites. Pour passer de la lecture Bluetooth à la lecture USB, appuyez sur le bouton de sélection Bluetooth / USB pour faire votre choix. Lorsque le mode de lecture USB est sélectionné, « USB » s'affiche sur l'écran LED.
4. Il existe 16 niveaux de volume, et le volume par défaut est le n°8. Chaque fois que vous appuyez sur le bouton d'augmentation, le volume augmente d'un niveau ; chaque fois que vous appuyez sur le bouton de diminution, le volume diminue d'un niveau. Le réglage du volume apparaît sur l'affichage LED. 2 secondes après le réglage du volume, le mode source apparaît de nouveau sur l'affichage LED.

Fonction de charge USB

L'appareil dispose d'un port de type C et de deux ports USB. Lorsque l'appareil est sous tension, vous pouvez recharger les appareils tels que le téléphone portable, l'iPad, etc. en connectant vos appareils aux ports à l'aide d'un câble.



Type-C (5V / 2A)

USB (5V / 2A)

USB (5V / 2A)

CONSEILS POUR FAIRE DES ÉCONOMIES D'ÉNERGIE

- Utilisez l'appareil exclusivement dans un endroit frais et bien ventilé. Tenez l'appareil à l'écart de sources de chaleur et évitez de l'exposer à la lumière directe du soleil.
- Minimisez la fréquence d'ouverture des tiroirs ainsi que leur temps d'ouverture.
- Couvrez ou emballez les aliments à stocker.
- Ne mettez pas de boissons ou d'aliments chauds dans les tiroirs avant de les laisser refroidir.
- Ne remplissez pas trop les tiroirs. Laissez l'air circuler.
- Ne réglez pas la température sur un niveau trop bas. Plus la température réglée est basse, plus la consommation d'énergie est importante.

NETTOYAGE ET ENTRETIEN

Pour des raisons d'hygiène, l'appareil (y compris les accessoires extérieurs et intérieurs) doit être nettoyé régulièrement.

AVERTISSEMENT : L'appareil ne doit pas être branché à l'alimentation lors du nettoyage. Risque de choc électrique ! Avant de nettoyer l'appareil, éteignez-le et débranchez la fiche de la prise électrique.

- Une fois l'appareil débranché de l'alimentation, utilisez un chiffon doux avec un produit nettoyant neutre pour nettoyer la surface, puis séchez.
- Ne vaporisez pas d'eau sur l'appareil. Nettoyez le panneau de commande, les prises USB / Type-C avec un chiffon sec uniquement. Évitez les chocs électriques et les courts-circuits !
- N'utilisez pas les matériaux suivants pour le nettoyage : agents nettoyants alcalins ou faiblement acides, nettoyants à base de poudres abrasives, différentes huiles acides, brosse dure, éponge ou brosse abrasives, eau chaude, etc
- L'appareil est lourd. Lors du nettoyage, ne secouez pas l'appareil. Veillez à ce que le dessus de la table reste toujours en haut.
- Ne nettoyez pas la grille arrière trop violemment sous peine de la déformer, de faire pénétrer des liquides nettoyants à l'intérieur de l'appareil et de provoquer un court-circuit.

Démontage et nettoyage des tiroirs

- Sortez tout le contenu du tiroir avant de retirer les tiroirs.
- Tirez les tiroirs jusqu'en butée, soulevez légèrement l'extérieur des tiroirs puis retirez les tiroirs.
- Vous pouvez laver les tiroirs à l'eau propre. Séchez-les avec un chiffon doux. N'utilisez jamais d'eau chaude pour le nettoyage, car ces pièces pourraient se fissurer et blesser des personnes.

Nettoyage du joint de porte

Le joint de porte est facilement sali, vieilli et endommagé, ce qui entraîne une diminution de l'effet de réfrigération / congélation, il faut donc le garder propre.

Lavez les joints de porte à l'eau et séchez-les bien.

Arrêt de l'utilisation de l'appareil

Si vous arrêtez d'utiliser l'appareil pendant une longue période, il est préférable de débrancher l'appareil et de nettoyer les tiroirs. Laissez les tiroirs ouverts afin d'éviter les odeurs.

Remarque : Si vous avez débranché la fiche, il vous faudra attendre au moins 5 minutes avant de pouvoir la rebrancher. N'arrêtez pas l'appareil trop souvent.

TRANSPORT DE L'APPAREIL

1. Éteignez l'appareil et débranchez la fiche de la prise électrique.
2. Retirez tous les aliments.
3. Utilisez du ruban adhésif pour fixer les parties mobiles.
4. Fermez le tiroir et fixez la porte avec du ruban adhésif.

Attention ! Ne retournez jamais l'appareil. Lors du transport, conservez un angle de 45° maximum afin d'éviter d'avoir des problèmes avec le système de refroidissement.

PANNE DE COURANT ET MANIPULATION

- En cas de panne de courant, les tiroirs resteront à bonne température pendant 1-2 heures, même en été.

Dans ce cas, ne rajoutez aucun aliment dans les tiroirs et essayez de ne pas les ouvrir.

- Si vous savez à l'avance qu'une panne de courant va survenir, vous pouvez mettre un contenant étanche rempli de glace à l'intérieur du tiroir.

Remarque : L'augmentation de la température dans les tiroirs en raison d'une panne de courant ou pour d'autres raisons affectera la qualité des aliments.

SPÉCIFICATIONS TECHNIQUES

Tension nominale :	220 V - 240 V ~
Courant nominal :	0,3 A
Fréquence nominale :	50 Hz
Puissance de la lampe :	1,5 W
Classe climatique :	SN/N/ST/T
Réfrigérant :	R600a (226 g)
Protection contre les chocs électriques :	I
Agent de gonflement pour l'isolation :	Cyclopentane
Niveau de bruit	40 dB(A)
Puissance maximale émise	-6 ~ 4dBm
Bandes de fréquence	2402 - 2480MHz

Remarque : DID est reflété sur l'étiquette de classification du produit, qui est collée sur le côté du tiroir.

GUIDE DE DÉPANNAGE

En cas de symptômes plus généraux, consultez le tableau ci-dessous.

Symptôme	Cause possible	Solution
Il y a un bruit d'eau qui coule.	C'est normal. C'est le réfrigérant qui circule à l'intérieur de l'appareil.	/
Les boutons ne répondent pas.	Le panneau de contrôle est verrouillé.	Vérifiez et déverrouillez le panneau de contrôle.
Il y a une vibration sonore.	C'est le bruit que fait le compresseur lorsqu'il fonctionne.	/
	L'appareil n'a pas été posé sur une surface stable et plane.	Placez l'appareil sur une surface stable et plane.
Échec lors de la charge via le port USB	L'appareil n'est pas branché à l'alimentation.	Branchez l'appareil à l'alimentation.
	Le câble de charge est cassé.	Utilisez un câble de charge qui fonctionne.
Le compresseur fonctionne sans arrêt	C'est normal si la température ambiante est très élevée.	/
	La température réglée est trop basse.	Réglez une température appropriée.
	La porte du tiroir n'est pas bien fermée.	Assurez-vous que le tiroir est bien fermé.
	Les aliments dans le tiroir sont trop chauds.	Laissez les aliments refroidir à température ambiante avant de les ranger dans le tiroir.
	L'appareil est exposé à la lumière directe du soleil ou est situé à proximité d'autres sources de chaleur.	Vérifiez que l'appareil est situé dans un endroit frais.
	Il y a trop d'aliments dans le tiroir.	Réorganisez le tiroir et assurez-vous que l'air peut circuler facilement.

GARANTIE ET SERVICE APRÈS-VENTE

Nos appareils sont soumis à un contrôle de qualité strict avant d'être livrés. Si l'appareil a toutefois été endommagé lors de la production ou du transport en dépit des soins que nous lui donnons, retournez l'appareil au vendeur. En plus des droits juridiques, le client a la possibilité dans les limites de la garantie de déposer les réclamations suivantes:

Nous offrons une garantie de 2 ans pour l'appareil acheté à partir de la date de vente. En cas de produit défectueux, vous pouvez retourner directement au point de vente.

Les défauts dus à une utilisation non conforme de l'appareil et les dommages dus à une intervention ou réparation faite par une tierce personne ou dus à l'installation de pièces qui ne sont pas d'origine ne sont pas couverts par cette garantie. Conservez toujours votre reçu, car sans celui-ci vous ne pourrez réclamer aucune sorte de garantie. Les dommages causés par le non respect des instructions de ce manuel rendront la garantie caduque, nous déclinons toute responsabilité en cas de dommages indirects. Nous déclinons toute responsabilité en cas de dégâts matériels ou de dommages corporels causés par une utilisation inappropriée ou si les instructions de sécurité n'ont pas été convenablement observées. Si les accessoires sont endommagés, cela ne signifie pas que toute la machine sera remplacée gratuitement. Dans de tels cas, veuillez contacter notre assistance. Des pièces brisées en verre ou en plastique sont toujours sujettes à des frais. Les défauts des consommables ou des pièces susceptibles de s'user, ainsi que le nettoyage, l'entretien ou la réparation desdites pièces ne sont pas couverts par la garantie et doivent donc être payés.

Les pièces détachées sont garanties 2 ans. Si vous souhaitez une pièce de rechange, veuillez contacter notre service client.

APPAREIL RESPECTUEUX DE L'ENVIRONNEMENT



Recyclage – Directive européenne 2012/19/EU

Ce symbole indique que le produit ne doit pas être jeté avec les ordures ménagères. Pour limiter les risques pour l'environnement et la santé entraînés par le rejet non contrôlé des déchets, recyclez ce dernier pour promouvoir une réutilisation responsable de ses matériaux. Pour recycler votre produit,

utilisez les réseaux de collecte de votre région ou prenez contact avec le revendeur du produit. Ce dernier pourra vous aider à le recycler.

Pour les réparations effectuées par un professionnel et la commande de pièces détachées, veuillez contacter notre service client.

Emerio B.V.

Zomervaart 1A

2033 DA Haarlem

The Netherlands

Customer service:

T: +31 (0) 23 3034369

E: emerio-de@sertronics.de

Kundeninformation:

T: +49 (0) 3222 1097 600

E: emerio-de@sertronics.de

Klantenservice:

T: +31 (0) 23 3034369

E: emerio-nl@sertronics.de

Originele instructies

VEILIGHEIDSINFORMATIE

Voor gebruik dient u alle onderstaande instructies te lezen om letsel en schade te voorkomen en om de beste resultaten met het apparaat te bereiken. Bewaar deze handleiding op een veilige plek. Mocht u dit apparaat aan iemand anders overhandigen, dient u ook de gebruiksaanwijzing te overhandigen.

In geval van schade die wordt veroorzaakt doordat de gebruiker de instructies in deze gebruiksaanwijzing niet in acht heeft genomen, komt de garantie te vervallen. De fabrikant/importeur is niet aansprakelijk voor schade die wordt veroorzaakt door het niet in acht nemen van de gebruiksaanwijzing, door nalatig gebruik of gebruik dat niet in overeenstemming is met de bepalingen van deze gebruiksaanwijzing.

1. Lees en bewaar deze gebruiksaanwijzing. Opgelet: de afbeeldingen in de gebruiksaanwijzing zijn louter indicatief.
2. Dit toestel mag gebruikt worden door kinderen vanaf de leeftijd van 8 jaar en door personen met verminderde fysieke, zintuiglijke of mentale capaciteiten of met gebrek aan ervaring of kennis, indien zij onder het toezicht staan of gebruiksinstructies voor het veilig gebruik van dit toestel gekregen hebben en de mogelijke gevaren begrijpen. Kinderen mogen niet met dit toestel spelen. Kinderen die niet onder toezicht staan, mogen dit apparaat niet reinigen of onderhouden.
3. Kinderen tussen 3 en 8 jaar oud mogen koelapparaten vullen en legen.
4. Als het stroomsnoer beschadigd is, dan moet het vervangen worden door de fabrikant, diens dealer of een gekwalificeerde technicus om risico's te voorkomen.

5. Waarschuwing! Ontkoppel het apparaat van de voeding voordat het wordt gereinigd of onderhouden en voor het vervangen van onderdelen.
6. **WAARSCHUWING:** Houd ventilatieopeningen in de behuizing van het apparaat of in de ingebouwde structuur vrij van belemmeringen.
7. **WAARSCHUWING:** Gebruik geen mechanische apparaten of andere middelen om het ontdooiproces te versnellen, dan deze aanbevolen door de fabrikant.
8. **WAARSCHUWING:** Beschadig het koelcircuit niet.
9. **WAARSCHUWING:** Gebruik geen elektrische apparaten in de opbergvakken van het apparaat tenzij ze van het type zijn dat wordt aanbevolen door de fabrikant.
10. Berg geen explosieve stoffen, zoals spuitbussen met een brandbaar drijfgas, in dit apparaat op.
11. Dit apparaat is bestemd voor huishoudelijk gebruik of gelijksoortige toepassingen, waaronder
 - kantines voor personeel in winkels, kantoren en een andere werkomgevingen;
 - boerderijen en door gasten in hotels, motels en andere types van huisvesting;
 - bed & breakfasts en soortgelijke omgevingen;
 - catering en soortgelijke groothandeltoepassingen.
12. **WAARSCHUWING:** Tijdens het plaatsen van het apparaat, zorg dat het snoer niet bekneld raakt of beschadigd wordt.
13. **WAARSCHUWING:** Plaats geen verschillende verlengsnoeren of stekkerdozen achter het apparaat.
14. Om voedselverontreiniging te vermijden, houd rekening met de volgende instructies:
 - De deur te lang open laten kan leiden tot een aanzienlijke toename van de temperatuur binnenin de vakken van het apparaat.
 - Maak de oppervlakken die met voedsel in aanraking komen en de toegankelijke afvoersystemen regelmatig schoon.
 - Maak de waterreservoirs schoon als ze langer dan 48 u

niet worden gebruikt. Spoel het watersysteem dat op de watertoevoer is aangesloten als er gedurende 5 dagen geen water is doorgestroomd. (Alleen van toepassing voor waterdispenser en watertoevoersysteem)

- Bewaar rauw vlees en vis in gepaste houders in de koelkast zodat ze niet met ander voedsel in aanraking komen of erop druppelen.
- Vriesvakken met twee sterren zijn geschikt voor het bewaren van reeds bevroren voedsel, het bewaren of maken van roomijs en het maken van ijsblokjes.
- Vriesvakken met één, twee en drie sterren zijn niet geschikt voor het invriezen van vers voedsel.
- Als het koelapparaat langere tijd leeg zal blijven, schakel het uit, ontdooi, reinig en veeg het apparaat droog en laat de deur open om vorming van schimmel in het apparaat te voorkomen.

15. Dit koelapparaat is niet bestemd om als inbouwtoestel te worden gebruikt.

16. **Klimaatklasse:**

- Subnormaal (SN): 'dit koelapparaat is bestemd om gebruikt te worden bij een omgevingstemperatuur tussen 10°C en 32°C';
- Normaal (N): 'dit koelapparaat is bestemd om gebruikt te worden bij een omgevingstemperatuur tussen 16°C en 32°C';
- Subtropisch (ST): 'dit koelapparaat is bestemd om gebruikt te worden bij een omgevingstemperatuur tussen 16°C en 38°C';
- Tropisch (T): 'dit koelapparaat is bestemd om gebruikt te worden bij een omgevingstemperatuur tussen 16°C en 43°C'.

17. Haal de stekker uit het stopcontact wanneer het apparaat niet wordt gebruikt, alvorens onderdelen te plaatsen of af te halen en voor reiniging.

18. Zorg dat de stekker volledig in het stopcontact zit wanneer u uw apparaat op de voeding aansluit.

19. Steek de stekker in een enkel geaard stopcontact.
20. Gebruik het apparaat nooit in een ruimte waar brandbare en ontvlambare materialen zijn opgeslagen.
21. Uit veiligheidsoverwegingen, laat het repareren van het apparaat of het vervangen van onderdelen alleen door een erkend servicecentrum uitvoeren.
22. De motor is permanent gesmeerd en heeft geen olie nodig.
23. Zorg dat de stekker van het apparaat altijd eenvoudig bereikbaar is.
24. Gooi het apparaat, omwille van het brandbare blaasgas, weg volgens de lokale voorschriften.
25. Reinig het apparaat alleen met een mild schoonmaakmiddel of een glasreiniger. Gebruik nooit agressieve schoonmaakmiddelen of oplosmiddelen.
26. Wacht totdat warme levensmiddelen of drank tot kamertemperatuur zijn afgekoeld voordat u ze in de laden plaatst.
27. Sluit de laden onmiddellijk na het inbrengen van items zodat de binnentemperatuur niet drastisch stijgt.
28. Houd het apparaat uit de buurt van warmtebronnen of direct zonlicht.
29. Om letsel door elektrische schokken te vermijden gebruik het apparaat niet met natte handen of wanneer u op een natte vloer of in water staat.
30. Gebruik het apparaat niet buitenshuis of in natte omstandigheden.
31. Trek nooit aan het snoer om het apparaat van het stroomnet te ontkoppelen, maar gebruik altijd de stekker.
32. Houd het snoer uit de buurt van warme oppervlakken.
33. Controleer of de spanning vermeld op het typeplaatje van dit product overeenstemt met de spanning in uw woning.
34. Het apparaat is niet bestemd om gebruikt te worden met een externe timer of een apart afstandsbedieningssysteem.
35. Het is tevens aanbevolen om het snoer regelmatig te controleren op slijtage. Gebruik het apparaat niet als het snoer beschadigd is.



36. **WAARSCHUWING!** Brandgevaar / ontvlambare materialen

Tijdens het gebruiken, onderhouden en afdanken van het apparaat, houd het product ver uit de buurt van een vuur. Er bevinden zich ontvlambare materialen aan de achterkant van het apparaat.

37. Zorg dat er geen vloeistof in de USB/Type-C-poort stroomt om het risico op kortsluiting te vermijden. Veeg de USB/Type-C-poort tijdens het reinigen niet schoon met een natte doek.

38. Het apparaat is alleen bestemd voor het bewaren van voedsel. Gebruik het apparaat niet voor andere doeleinden, zoals het bewaren van bloed of biologische producten.

39. Bewaar geen brandbare of explosief gevaarlijke goederen, sterke corrosieve zuren, alkaliën en andere chemicaliën in de laden.

40. Voor een veilige werking van het apparaat wordt het aanbevolen om geen aansluiting, voedingsbron, magnetron of ander apparaat op het oppervlak van het apparaat te plaatsen. Gebruik geen elektrisch apparaat in het product om elektromagnetische storing of een ander ongeval te vermijden.

41. Het is niet toegestaan om het product uit elkaar te halen of aan te passen om schade aan het koelcircuit te vermijden. Het product mag alleen door een vakman worden gerepareerd.

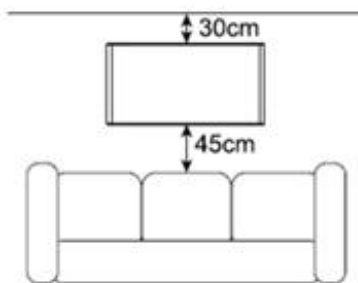
42. Voor informatie over het installeren, hanteren, gebruiken, onderhouden, vervangen van de lamp (wanneer van toepassing), reinigen en afdanken van het apparaat, raadpleeg de onderstaande paragraaf van de handleiding.

ALGEMENE INLEIDING

Dit is een creatief apparaat en meubelstuk. De koelkastlade kan fruit, drank en snacks bewaren; de vrieslade kan ijs en andere levensmiddelen bewaren die moeten worden ingevroren. Het product heeft een Bluetooth-verbinding die Bluetooth 5.0-, USB- en Type-C-poorten ondersteunt, waarmee muziek kan worden afgespeeld en apparaten, zoals mobiele telefoons, iPads, enz. kunnen worden opgeladen.

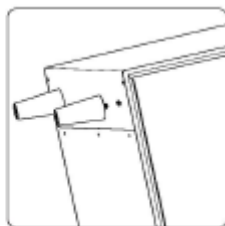
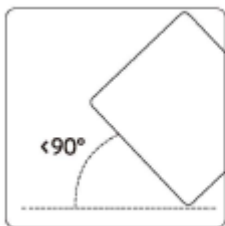
VOORBEREIDING VOOR HET EERSTE GEBRUIK

1. Verwijder alle verpakkingsmateriaal, waaronder schuimbasis en de schuimtape die de accessoires vasthouden. Maak de doorzichtige beschermfolie op de buitenkant los voor een normale koeling en stroomverbruik van de theetafel. Verwijder het schuimkussen voordat de theetafel wordt gebruikt.
2. Plaats het apparaat in een locatie die aan alle onderstaand vermelde voorwaarden voldoet.
 - 1) Plaats het apparaat niet in een vochtige en koude ruimte en stel het niet bloot aan direct zonlicht.
 - 2) Houd een vrije ruimte van minstens 30 cm aan de voorkant van de theetafel. De beste afstand tot een bank is ongeveer 45 cm.



- 3) Plaats het apparaat op een vlakke en stevige ondergrond.

3. Om de voetjes te installeren, haal de voetjes uit de rechter vrieslade; kantel het apparaat niet meer dan 90°; breng de voetjes op één lijn en draai ze vast aan de onderkant van het apparaat.

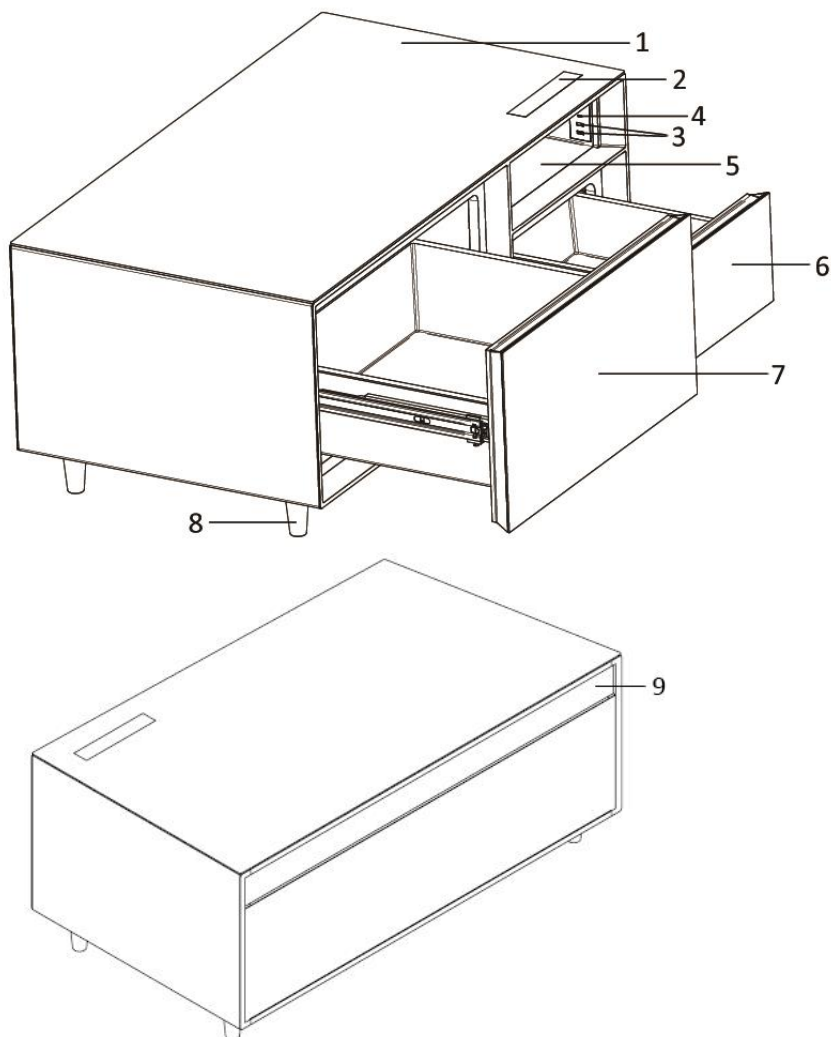


Opmerking:

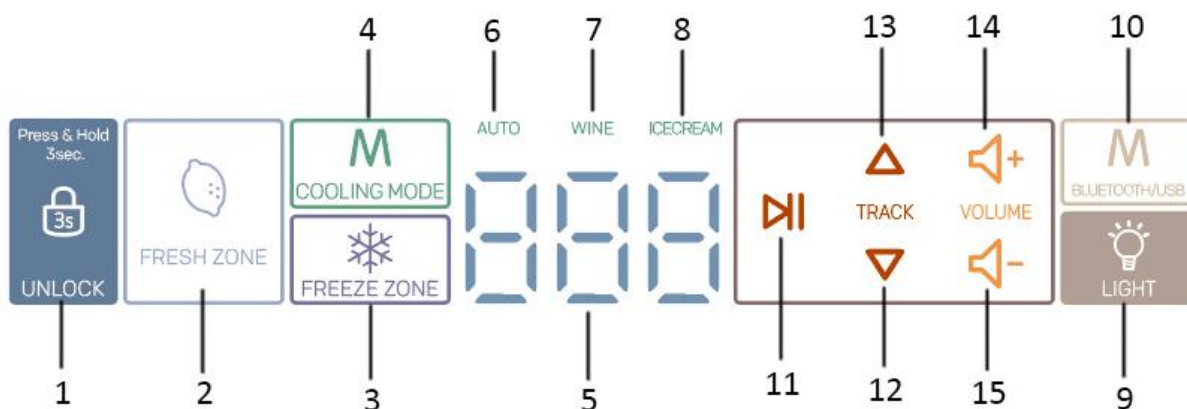
- Zet het apparaat niet ondersteboven tijdens de installatie.
 - Als u de tafel op een verhoogd oppervlak wilt plaatsen, gebruik een vlakke, stevige en onbrandbare pad. Als de tafel niet volledig stabiel staat, pas de stelvoetjes van de theetafel aan. Gebruik de verpakkingsschuim niet als ondersteuning van de tafel.
4. Reinig het apparaat voor gebruik. Raadpleeg de sectie 'REINIGING EN ONDERHOUD'.
 5. Laat het apparaat altijd minstens 2 uur met rust nadat het naar een andere ruimte is gebracht of na reiniging.
 6. Wacht 2 uur, controleer vervolgens de USB- en Type-C-poorten en zorg ervoor dat er geen waterdamp is. Het netsnoer bevindt zich aan de onderkant van het apparaat. Steek de stekker juist in een gepast stopcontact. Zorg dat het snoer voldoende lang is en vermijd dat personen over het snoer kunnen struikelen.

BESCHRIJVING VAN DE ONDERDELEN

1. Glazen tafelblad
2. Bedieningspaneel
3. USB-poort (x2)
4. Type-C-poort
5. Opslagruimte
6. Rechter vrieslade
7. Linker koelkastlade
8. Voetjes
9. Audio



BEDIENINGSPANEEL



1. Ontgrendelingsknop
2. Temperatuurinstelling voor koelkastlade
3. Temperatuurinstelling voor vrieslade
4. Knop Koelmodus
5. Digitaal scherm
6. Automatische modus-controlelampje
7. Wijnmodus-controlelampje
8. IJsmodus-controlelampje
9. Licht aan/uit knop
10. Bluetooth/USB-selectie
11. Audio afspelen/pauze
12. Volgende track

13. Vorige track
14. Volume omhoog
15. Volume omlaag

Opmerkingen:

- Tijdens het instellen van de audiofunctie, wordt de huidige audiowerking in plaats van de temperatuur weergegeven.
- Druk 3 seconden op de ontgrendelingsknop, en de koel- en ijsladen worden ontgrendeld. Het audiogedeelte kan apart worden in- of uitgeschakeld.
- Raak de licht aan/uit knop aan, het licht in de opslagruimte gaat aan of uit.

Bediening van de koel- en vrieslade

Nadat het apparaat voor de eerste keer wordt ingeschakeld, zijn de knoppen ontgrendeld en worden ze na een inactiviteit van 10 seconden automatisch vergrendeld.

1. Wanneer vergrendeld, druk 3 seconden op de ontgrendelingsknop en de andere knoppen voor dit gedeelte zijn opnieuw actief.
2. De rechter lade is een vrieslade; om de temperatuur in te stellen, raak de knop "FREEZE ZONE" aan en de temperatuur zal bij elke aanraking van -6 °C tot -12 °C gaan. De linker lade is een koelkastlade; om de temperatuur in te stellen, raak de knop "FRESH ZONE" aan en de temperatuur zal bij elke aanraking van 1°C tot 12 °C gaan. Er zijn echter verschillende temperatuurbereiken afhankelijk van de temperatuur van de vriezerlade die u instelt. (Zie de onderstaande referentietabel) Na een inactiviteit van meer dan 3 seconden, wordt de instelling bevestigd en stopt het display met knipperen.

De door u ingestelde vriestemperatuur (°C)	Het temperatuurbereik van de koelkast dat u kunt instellen (°C)
-12	1, 2, 3, 4, 5, 6, 7, 8
-11	2, 3, 4, 5, 6, 7, 8, 9
-10	3, 4, 5, 6, 7, 8, 9, 10
-9	4, 5, 6, 7, 8, 9, 10, 11
-8	5, 6, 7, 8, 9, 10, 11, 12
-7	6, 7, 8, 9, 10, 11, 12
-6	7, 8, 9, 10, 11, 12

3. Raak de knop "COOLING MODE" aan om een van de drie koelmodi te selecteren: AUTO-modus, wijnmodus en ijsmodus. Het bijbehorende controlelampje brandt wanneer een bepaalde modus is geselecteerd. De door het systeem ingestelde temperatuur is als volgt.

Koelmodus	Diepvriestemperatuur (°C)	Koelkasttemperatuur (°C)
AUTO	-12	3
Wijn	-8	12
Softijs	-12	6

4. Wanneer u de lade opent, geeft het display de huidige temperatuur van de lade weer. Als de deur van de koelkastlade te lang open blijft of deze is niet goed dicht, dan gaat er een zoemeralarm af en wordt er "dr" al knipperend op het temperatuurdisplay van de overeenkomstige lade weergegeven om u eraan te herinneren de deur op tijd te sluiten.

Opmerkingen over het bewaren van voedsel:

- Bewaar geen voedsel die op een lage temperatuur snel bedorven kunnen raken, zoals bananen, gesneden tropisch fruit. Overmatig koelen leidt tot het verkleuren van voedsel en afname van vitamines.
- Doe geen warm voedsel in de lade. De temperatuur binnenin de lade zal toenemen en een negatieve impact op de versheid van ander voedsel hebben.
- Open de lade niet te vaak. Wanneer de lade open is, gaat er warme lucht de lade binnen waardoor de interne temperatuur toeneemt.

- Stop het voedsel in plastic folie of zakje, of in een bakje met een deksel om verdamping van vocht te vermijden en de smaak en voedingsstoffen te behouden. De geurvorming binnenin de lade wordt tevens beperkt.
- Was en schrob voedsel, zoals groente en fruit, schoon voordat ze in de lade worden gestopt.
- Zorg dat de flessen stevig op hun plaats zitten zodat ze tijdens het openen van de lade niet kantelen.
- Stel een temperatuur in afhankelijk van de eigenschappen van het te bewaren voedsel.

Audiobediening

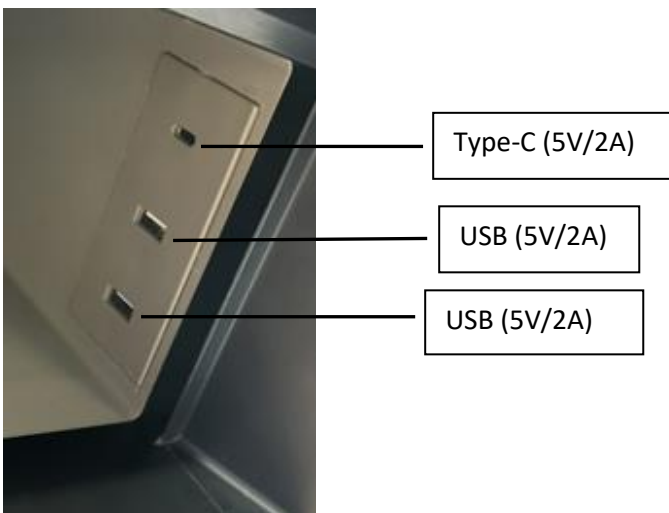
1. Zoek en verbind het Bluetooth-apparaat met de naam "T3" met uw mobiele telefoon. Nadat de Bluetooth is verbonden, wordt "BL" op de led weergegeven. De luidspreker van het apparaat werkt nu als een externe luidspreker voor uw mobiele telefoon.

Opmerking: Wanneer de Bluetooth-gegevensoverdracht is ontkoppeld, hoort u de gesproken melding "Bluetooth disconnected" ("Bluetooth ontkoppeld"). Bluetooth is na 5 minuten gereset. Wanneer een reeds gekoppeld mobiel apparaat zich opnieuw binnen het bereik bevindt, wordt de Bluetooth-verbinding opnieuw automatisch gemaakt.

2. U kunt uw mobiele telefoon of het bedieningspaneel van het apparaat gebruiken om de track af te spelen/pauzeren, een andere track te kiezen of het volume te regelen. Zie de sectie "BEDIENINGSPANEEL" om de functie van elke knop te vinden. Wanneer u de vorige track selecteert, wordt "FF" weergegeven op de led. Wanneer u de volgende track selecteert, wordt "FB" weergegeven op de led.
3. De gegevens worden via een USB-aansluiting tevens gelezen en afgespeeld. Om tussen afspelen via Bluetooth of USB te kiezen, raak de Bluetooth/USB-selectieknop aan om uw keuze te maken. Wanneer de USB-afspeelmodus is geselecteerd, wordt "USB" op de led weergegeven.
4. Er zijn 16 volumeniveaus. Het standaard volume is 8. Telkens op de volume omhoog knop wordt gedrukt, neemt het volume met één niveau toe. Telkens op de volume omlaag wordt gedrukt, neemt het volume met één niveau af. Het ingestelde volume wordt op het led-display weergegeven. Het led-display geeft 2 seconden na het instellen van het volume opnieuw de bronmodus weer.

USB-oplaadfunctie

Er zijn één type-C-poort en twee USB-poorten. Wanneer het apparaat is ingeschakeld, kunt u apparaten opladen, zoals een mobiele telefoon, iPad, etc. door uw apparaten met behulp van een kabel op de poorten aan te sluiten.



TIPS VOOR ENERGIEBESPARING

- Gebruik het apparaat in een koele en goed geventileerde ruimte. Houd het product uit de buurt van een warmtebron en stel het niet bloot aan direct zonlicht.
- Houd de deur zo kort en weinig mogelijk open.
- Bedek of verpak het voedsel voor opslag.

- Wacht totdat warme levensmiddelen of drank zijn afgekoeld voordat u ze in de laden plaatst.
- Vul de laden nooit te veel zodat de lucht vrij rond kan circuleren.
- Stel de temperatuur niet te laag in. Hoe lager de ingestelde temperatuur, hoe hoger het stroomverbruik.

REINIGING EN ONDERHOUD

Om hygiënische redenen moet het apparaat (waaronder de buitenkant en de accessoires binnenin) regelmatig worden gereinigd.

WAARSCHUWING: Zorg dat de stekker tijdens het reinigen niet in het stopcontact zit. Gevaar op elektrische schokken! Alvorens het apparaat schoon te maken, schakel het uit en haal de stekker uit het stopcontact.

- Nadat de stekker uit het stopcontact is gehaald, maak de buitenkant schoon met een zachte doek en een neutraal reinigingsmiddel, en veeg het vervolgens droog.
- Spuit geen water op het apparaat. Reinig het bedieningspaneel, de USB-/Type-C-aansluitingen alleen met een droge doek. Er is risico op elektrische schokken en kortsluiting!
- Maak het apparaat niet schoon met de volgende reinigingsmiddelen: zwak zure of alkalische reinigingsmiddelen, schuurpoeder, alcohol, verschillende zure oliën, harde borstel, schrobborstel, heet water, etc.
- Het apparaat is zwaar. Schud het apparaat niet tijdens het reinigen. Zorg dat het tafelblad naar boven is gericht.
- Maak het achterrooster niet te hard schoon. Als het rooster vervormd raakt en er dringt reinigingsmiddel het apparaat binnen, kan dit kortsluiting veroorzaken.

De laden verwijderen en reinigen

- Haal alle inhoud uit de lade voordat u de laden verwijdert.
- Trek de laden volledig uit, til de buitenkant van de laden iets omhoog en trek de laden vervolgens uit het product.
- U kunt de laden wassen met schoon water. Veeg ze vervolgens droog met een zachte doek. Reinig ze nooit met heet water om het barsten van onderdelen of letsel aan personen te vermijden.

Deurpakking schoonmaken

De deurpakking kan makkelijk vuil worden, verslijten of beschadigd raken, dit geeft een negatieve impact op het koelen/vriezen. Houd de pakking aldus schoon.

Maak de deurafdichting schoon met water en veeg vervolgens grondig droog.

Het apparaat niet langer gebruiken

Als u denkt het apparaat langere tijd niet te gebruiken, haal de stekker uit het stopcontact en maak de laden schoon. Laat de deuren van de laden open om geurvorming te vermijden.

Opmerking: Als de stekker uit het stopcontact is gehaald, wacht minstens 5 minuten om de stekker opnieuw op de voeding aan te sluiten. Schakel het apparaat niet te vaak uit.

HET APPARAAT TRANSPORTEREN

1. Schakel het apparaat uit en trek de stekker uit het stopcontact.
2. Verwijder al het voedsel.
3. Gebruik tape om de beweegbare delen vast te zetten.
4. Sluit de ladedeur en zet het vast met plakband.

Opgelet! Draai het apparaat nooit ondersteboven. Kantel het apparaat tijdens het transport nooit meer dan 45 graden om problemen aan het koelsysteem te vermijden.

WAT TE DOEN BIJ EEN STROOMUITVAL

- In geval van een stroomuitval kunnen de laden de binnentemperatuur gedurende 1-2 uur handhaven, zelfs tijdens de zomer. Voeg in dit geval geen voedsel toe en open de ladedeuren niet.
- Als u weet dat er een stroomuitval zal plaatsvinden, plaats een waterdicht bakje met ijs in de lade.

Opmerking: De temperatuur in de laden neemt toe in geval van een stroomuitval en dit geeft een negatieve impact op de kwaliteit van het voedsel.

TECHNISCHE GEGEVENS

Nominale spanning:	220V-240V~
Nominale stroom:	0,3A
Nominale frequentie:	50Hz
Vermogen lamp:	1,5W
Klimaatklasse:	SN/N/ST/T
Koelmiddel:	R600a(26g)
Bescherming tegen elektrische schokken:	I
Isolatie-blaasgas:	Cyclopentaan
Geluidsniveau	40dB(A)
Max. zendvermogen	-6 ~ 4 dBm
Frequentiebereik	2402 - 2480MHz

Opmerking: DID wordt weergegeven op het typeplaatje van het product, dat op de zijkant van de lade is geplakt.

PROBLEEMOPLOSSING

Voor enkele algemene problemen die kunnen optreden, raadpleeg de onderstaande tabel.

Probleem	Mogelijke oorzaken	Oplossing
U hoort het geluid van stromend water.	Dit is normaal. Dit is het koelmiddel dat in het apparaat stroomt.	/
Geen reactie wanneer de knoppen worden aangeraakt.	Het bedieningspaneel is vergrendeld.	Controleer en ontgrendel het bedieningspaneel.
U hoort trillende geluiden.	Dit is het geluid van de werking van de compressor.	/
	Het apparaat is niet op een stabiel en vlak oppervlak geplaatst.	Plaats het apparaat op een stabiel en vlak oppervlak.
Het USB-opladen werkt niet.	Het apparaat is niet ingeschakeld.	Schakel het apparaat in.
	De oplaadkabel is stuk.	Gebruik een juist werkende oplaadkabel.
De compressor werkt continu.	Dit is normaal als de omgevingstemperatuur zeer hoog is.	/
	De ingestelde temperatuur is te laag.	Stel een gepaste temperatuur in.
	De deurlade is niet volledig dicht.	Zorg dat de ladedeur volledig dicht is.
	Het voedsel dat in de lade is geplaatst is te heet.	Laat het voedsel tot kamertemperatuur afkoelen voordat het in de lade wordt geplaatst.
	Het apparaat is aan direct zonlicht blootgesteld of bevindt zich te dicht bij een warmtebron	Zorg ervoor dat het apparaat zich in een koude ruimte bevindt.
	Er is te veel voedsel in de lade.	Verdeel het voedsel in de lade zodat de lucht vrij kan circuleren.

GARANTIE EN KLANTENSERVICE

Vóór de levering worden onze apparaten streng gecontroleerd. Indien het toestel ondanks alle zorg bij de productie of tijdens het transport beschadigd werd, moet u het naar de handelaar terugbrengen. Naast het wettelijke recht op waarborg heeft de klant recht op de volgende garantieclaim:

Wij geven een garantie van 2 jaar op het toestel, te beginnen met de koopdatum. Indien u een defect product heeft, kunt u rechtstreeks terug gaan naar het aankooppunt.

Gebreken die het gevolg zijn van ondeskundig gebruik van het toestel, fouten tijdens ingrepen en reparaties door derden of door de inbouw van vreemde onderdelen, vallen niet onder deze garantie. Bewaar altijd uw aankoopnota, zonder aankoopnota kunt u geen aanspraak maken op enige vorm van garantie. Bij schade veroorzaakt door het niet opvolgen van de gebruiksaanwijzing vervalt het recht op garantie. Voor vervolgschade die hieruit ontstaat kunnen wij niet verantwoordelijk gehouden worden. Voor materiële schade of persoonlijk letsel veroorzaakt door ondeskundig gebruik of het niet opvolgen van de veiligheidsvoorschriften zijn wij niet aansprakelijk. In dergelijke gevallen vervalt iedere aanspraak op garantie. Schade aan accessoires of onderdelen betekend niet dat het gehele apparaat zal worden vervangen. Afgebroken glazen of kunststof onderdelen of accessoires vallen niet onder de garantie en zullen tegen vergoeding vervangen kunnen worden. Defecten aan hulpstukken of aan slijtage onderhevige onderdelen, alsmede reiniging, onderhoud of de vervanging van slijtende delen vallen niet onder de garantie en zullen dus in rekening gebracht worden.

De garantieperiode voor de reserveonderdelen is 2 jaar. Als vervanging nodig is, neem contact op met onze klantenservice.

MILIEUVRIENDELIJKE AFVALVERWERKING



Recycling – Europese Richtlijn 2012/19/EU

Deze markering betekent dat dit product niet samen met ander huishoudelijk afval mag worden afgedankt. Om het milieu en de volksgezondheid niet in gevaar te brengen en het hergebruik van grondstoffen te bevorderen, moet dit product op verantwoorde wijze worden afgevoerd. Lever

verbruikte apparatuur a.u.b. in bij de hiervoor bestemde inzamelpunten of bij de winkel waar het product was aangeschaft. Zij zullen dit product accepteren voor milieuvriendelijke afvalverwerking.

Voor een professionele reparatie en het bestellen van reserveonderdelen, neem contact op met onze klantenservice.

Emerio B.V.
Zomervaart 1A
2033 DA Haarlem
The Netherlands

Customer service:
T: +31 (0) 23 3034369
E: emerio-de@sertronics.de

Kundeninformation:
T: +49 (0) 3222 1097 600
E: emerio-de@sertronics.de

Klantenservice:
T: +31 (0) 23 3034369
E: emerio-nl@sertronics.de

Oryginalna instrukcja

WAŻNE UWAGI DOTYCZĄCE BEZPIECZEŃSTWA

Aby nie dopuścić do urazów lub uszkodzeń oraz aby maksymalnie wykorzystać możliwości urządzenia, przed rozpoczęciem jego użytkowania należy przeczytać wszystkie poniższe zalecenia. Niniejszą instrukcję należy przechowywać w bezpiecznym miejscu. W przypadku przekazania lub odstąpienia komuś tego urządzenia, do urządzenia należy dołączyć również tę instrukcję.

W przypadku uszkodzenia spowodowanego nieprzestrzeganiem przez użytkownika zaleceń podanych w niniejszej instrukcji gwarancja nie ma zastosowania. Producent/importer nie ponosi odpowiedzialności za szkody spowodowane nieprzestrzeganiem podanych w instrukcji zaleceń, zaniedbaniami oraz użytkowaniem w sposób niezgodny z wymaganiami opisanymi w instrukcji.

1. Prosimy przeczytać i zachować tę instrukcję. Uwaga: Ilustracje prezentowane w instrukcji mają charakter wyłącznie orientacyjny.
2. To urządzenie może być obsługiwane przez dzieci w wieku 8 lat i starsze, osoby z pewnym upośledzeniem fizycznym, czuciowym lub umysłowym, a także osoby niemające doświadczenia, jeśli udzielono im instrukcji w zakresie bezpiecznego używania urządzenia, obsługa urządzenia odbywa się pod nadzorem i osoby te znają zagrożenia z tym związane. Urządzenie nie służy do zabawy przez dzieci. Czyszczenie oraz obsługa tego urządzenia nie powinny być dokonywane przez dzieci bez nadzoru.
3. Dzieci w wieku od 3 do 8 lat mogą wkładać do urządzeń chłodzących produkty oraz wyjmować je z nich.
4. Jeżeli przewód zasilający jest uszkodzony, musi być wymieniony przed producenta lub autoryzowany serwis

lub wykwalifikowaną osobę celem uniknięcia niebezpieczeństwa.

5. Ostrzeżenie! Na czas czyszczenia lub konserwacji oraz przy wymianie części urządzenie należy odłączyć od zasilania.
6. **OSTRZEŻENIE:** Należy pilnować, aby otwory wentylacyjne w obudowie urządzenia lub w części wbudowanej nie były zapchane lub zasłonięte.
7. **OSTRZEŻENIE:** Z wyjątkiem urządzeń zalecanych przez producenta, nie należy używać jakichkolwiek urządzeń mechanicznych w celu przyspieszenia procesu rozmrażania.
8. **OSTRZEŻENIE:** Należy uważać, aby nie uszkodzić obwodu czynnika chłodniczego.
9. **OSTRZEŻENIE:** W komorach do przechowywania produktów spożywczych w urządzeniu nie należy używać jakichkolwiek urządzeń elektrycznych, chyba że są to urządzenia typu zalecanego przez producenta.
10. W urządzeniu nie należy przechowywać jakichkolwiek substancji o właściwościach wybuchowych, takich jak np. puszki z łatwopalnymi aerozolami.
11. Urządzenie jest przeznaczone do zastosowań domowych i podobnych, np.:
 - kuchenki pracownicze w sklepach, biurach i innych obiektach pracowniczych;
 - domy na wsi oraz pokoje w hotelach, motelach i innych obiektach mieszkaniowych;
 - obiekty typu nocleg ze śniadaniem;
 - catering i podobne zastosowania niehandlowe.
12. **OSTRZEŻENIE:** Podczas ustawiania urządzenia należy dopilnować, aby przewód zasilający nie został przytrzaśnięty lub uszkodzony.
13. **OSTRZEŻENIE:** Nie należy umieszczać wielu przenośnych gniazdek-kontaktów lub przenośnych zasilaczy z tyłu urządzenia.
14. Aby nie dopuścić do zanieczyszczenia żywności, należy pamiętać o następujących kwestiach:
 - Długotrwałe otwarcie drzwi może spowodować znaczny

wzrost temperatury w komorach urządzenia.

- Powierzchnie mogące mieć kontakt z żywnością oraz dostępne układy odprowadzania wody należy regularnie czyścić.
- Jeśli zbiorniki na wodę nie były używane przez 48 h; instalację wodną podłączoną do źródła wody należy przepłukać jeśli woda nie była pobierana przez 5 dni. (Dotyczy wyłącznie dystrybutora wody i systemu wlotu wody)
- Surowe mięso i ryby należy przechowywać w odpowiednich pojemnikach w lodówce, tak aby nie stykały się z innymi artykułami spożywczymi i nie kapały na nie.
- Dwugwiazdkowe komory na mrożonki nadają się do przechowywania mrozonek, przechowywania lub robienia lodów oraz robienia kostek lodu.
- Komory jedno-, dwu- i trzy- gwiazdkowe nie nadają się do zamrażania świeżych artykułów spożywczych.
- Jeśli lodówka zostanie pozostawiona na dłuższy czas pusta, urządzenie należy wyłączyć, rozmrozić, wyczyścić i wysuszyć. Należy pozostawić drzwiczki otwarte, aby w urządzeniu nie zbierała się pleśń.

15. To urządzenie chłodnicze nie jest przeznaczone do zabudowy.

16. **Klasa klimatyczna:**

- Rozszerzona umiarkowana (SN): „to urządzenie chłodnicze jest przeznaczone do używania w temperaturze otoczenia w przedziale od 10°C do 32°C”;
- Umiarkowana (N): „to urządzenie chłodnicze jest przeznaczone do używania w temperaturze otoczenia w przedziale od 16°C do 32°C”;
- Subtropikalna (ST): „to urządzenie chłodnicze jest przeznaczone do używania w temperaturze otoczenia w przedziale od 16°C do 38°C”;
- Tropikalna (T): „to urządzenie chłodnicze jest

przeznaczone do używania w temperaturze otoczenia w przedziale od 16°C do 43°C”.

17. Na czas, gdy urządzenie nie jest używane, przed zakładaniem lub zdejmowaniem części oraz przed czyszczeniem należy wyjąć wtyczkę z kontaktu.
18. Podczas podłączania urządzenia należy dopilnować, aby wtyczka została do końca włożona do kontaktu.
19. Wtyczkę należy podłączyć do pojedynczego kontaktu.
20. Urządzenia nie należy nigdy używać w miejscu przechowywania materiałów łatwopalnych.
21. Ze względu na bezpieczeństwo należy koniecznie naprawiać lub wymieniać części w autoryzowanym serwisie.
22. Silnik jest trwale nasmarowany na cały czas eksploatacji i nie wymaga oliwienia.
23. Urządzenie musi zostać ustawione w taki sposób, aby zapewniony był dostęp do wtyczki.
24. Z uwagi na łatwopalny gaz chłodniczy, utylizację urządzenia należy wykonać zgodnie z przepisami lokalnymi.
25. Do czyszczenia urządzenia należy używać łagodnych detergentów lub produktów czyszczących. Nigdy nie wolno używać agresywnych detergentów lub rozpuszczalników.
26. Nie wkładać do szuflad gorącej żywności ani napojów, zanim nie ostygną do temperatury pokojowej.
27. Zamknąć szuflady natychmiast po włożeniu jakichkolwiek przedmiotów, aby temperatura wewnątrz nie wzrosła zbyt mocno.
28. Urządzenie należy trzymać z dala od źródeł ciepła i chronić przed bezpośrednim nasłonecznieniem.
29. Aby nie dopuścić do urazów wskutek porażenia prądem, nie należy dotykać urządzenia, gdy użytkownik ma mokre ręce lub gdy stoi w wodzie.
30. Nie używać na dworze lub w warunkach dużej wilgotności.
31. W celu wyjęcia wtyczki z kontaktu nigdy nie należy ciągnąć za przewód. Należy chwytać z wtyczkę i wyjmować ją z kontaktu.

32. Przewód należy trzymać z dala od gorących powierzchni.
33. Należy sprawdzić, czy napięcie zasilania w domu jest takie samo jak napięcie podane na tabliczce znamionowej urządzenia.
34. Urządzenie nie jest przystosowane do sterowania za pomocą zewnętrznego minutnika lub oddzielnego pilota.
35. Zaleca się, aby regularnie sprawdzać przewód zasilający pod kątem oznak potencjalnego uszkodzenia. W razie uszkodzenia przewodu urządzenia nie wolno używać.



36. **OSTRZEŻENIE!** Ryzyko pożaru / materiały łatwopalne
Podczas użytkowania, serwisowania i utylizacji urządzenie należy trzymać z dala od ognia. Z tyłu urządzenia znajdują się materiały łatwopalne.
37. Uważać, aby do portu USB / Type-C nie dostała się żadna ciecz i nie wywołała zwarcia. Nie używać mokrej szmatki do wycierania portu USB/typu C.
38. Urządzenie nadaje się wyłącznie do przechowywania żywności. Nie używać do innych celów, takich jak przechowywanie krwi, produktów biologicznych.
39. W szufladach nie wolno przechowywać materiałów niebezpiecznych łatwopalnych i wybuchowych oraz silnie żrących kwasów, zasad i innych chemikaliów.
40. Ze względów bezpieczeństwa, zaleca się nie umieszczać kontaktów, zasilaczy, kuchenek mikrofalowych i innych urządzeń na powierzchni produktu. Aby uniknąć zakłóceń elektromagnetycznych lub innych wypadków, nie należy używać urządzeń elektrycznych wewnątrz produktu.
41. Bezwzględnie zabrania się rozmontowywania lub przerabiania produktu. Nie wolno też dopuścić do uszkodzenia przewodów chłodniczych. Naprawy produktu muszą być wykonywane przez profesjonalistów.
42. Informacje dotyczące instalacji, przestawiania,

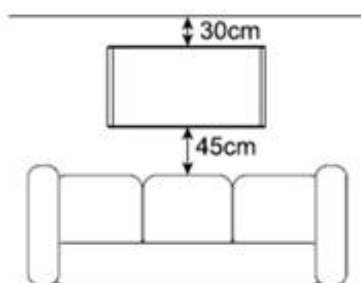
użytkowania, serwisowania, wymiany żarówki (w stosownych przypadkach), czyszczenia i utylizacji urządzenia podano w poniższej części instrukcji.

WPROWADZENIE OGÓLNE

To urządzenie jest kreatywnym produktem łączącym funkcje urządzenia i mebla. Szuflada lodówki zapewnia miejsce na owoce, napoje i przekąski, a w zamrażarce można przechowywać lody i inne produkty spożywcze, które wymagają zamrożenia. Produkt posiada połączenie Bluetooth obsługujące porty Bluetooth 5.0, USB i Type-C, co pozwala na odtwarzanie muzyki oraz ładowanie urządzeń takich jak telefon komórkowy, iPad itp.

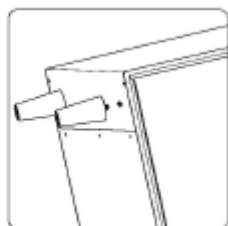
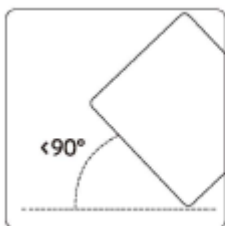
PRZYGOTOWANIE PRZED PIERWSZYM UŻYCIEM

1. Prosimy usunąć wszystkie materiały opakowaniowe, w tym podstawę piankową i taśmę piankową mocującą akcesoria. Prosimy zedrzyć przezroczystą folię zabezpieczającą powierzchnię stołu do herbaty, aby nie wpływa ona na normalne chłodzenie i zużycie energii przez stół. Na czas używania stołu do herbaty należy usunąć podkładkę piankową.
2. Urządzenie należy ustawić w miejscu spełniającym wszystkie podane niżej warunki.
 - 1) Należy unikać miejsc wilgotnych i zimnych, a także bezpośredniego nasłonecznienia.
 - 2) Z przodu stołu do herbaty należy zostawić ponad 30 cm wolnego miejsca. Optymalna odległość od sofa to około 45 cm.



- 3) Urządzenie należy ustawić na płaskim i solidnym podłożu.

3. Aby zainstalować nogi, należy: wyjąć nogi z prawej szuflady zamrażarki; przechylić urządzenie o nie więcej niż 90°; dopasować i dokręcić nogi od spodu urządzenia.



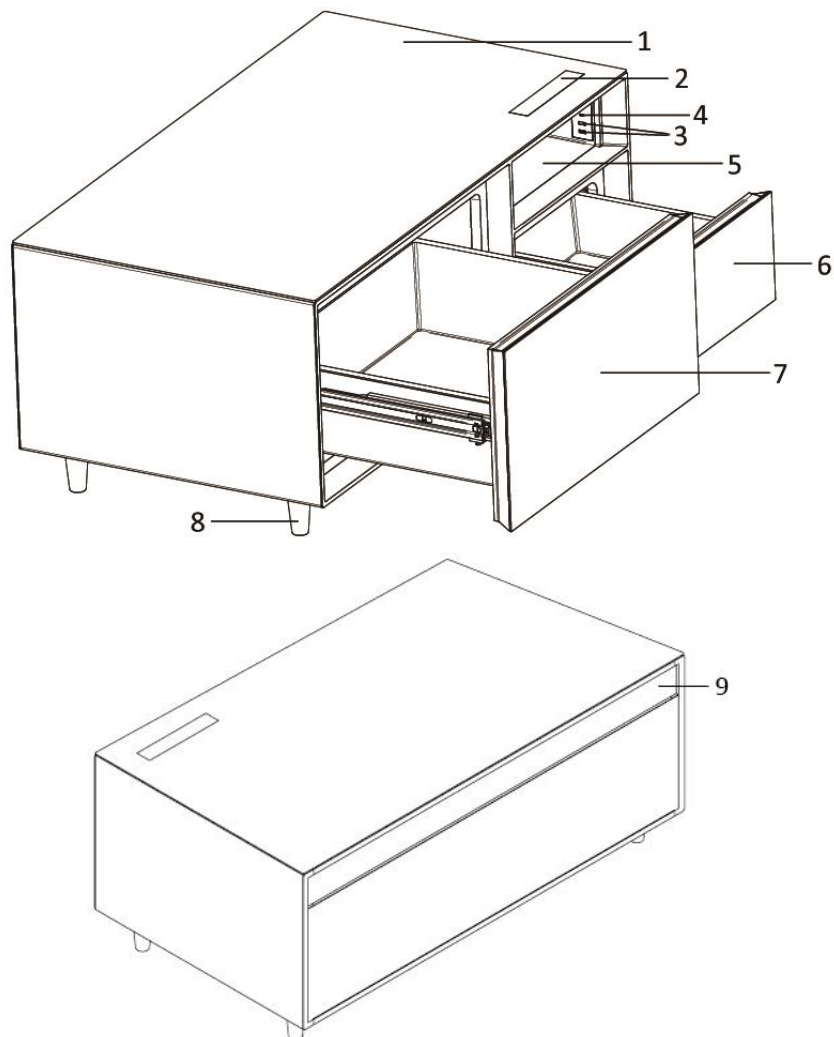
Uwaga:

- Podczas instalacji nie należy ustawiać urządzenia do góry nogami.
- Jeśli stół wymaga podwyższenia, należy wybrać w tym celu płaską, solidną i niepalną podkładkę. Jeśli stół do herbaty jest lekko niestabilny, prosimy wyregulować jego regulowane nogi. Jako podstawy nigdy nie należy używać pianki opakowaniowej.

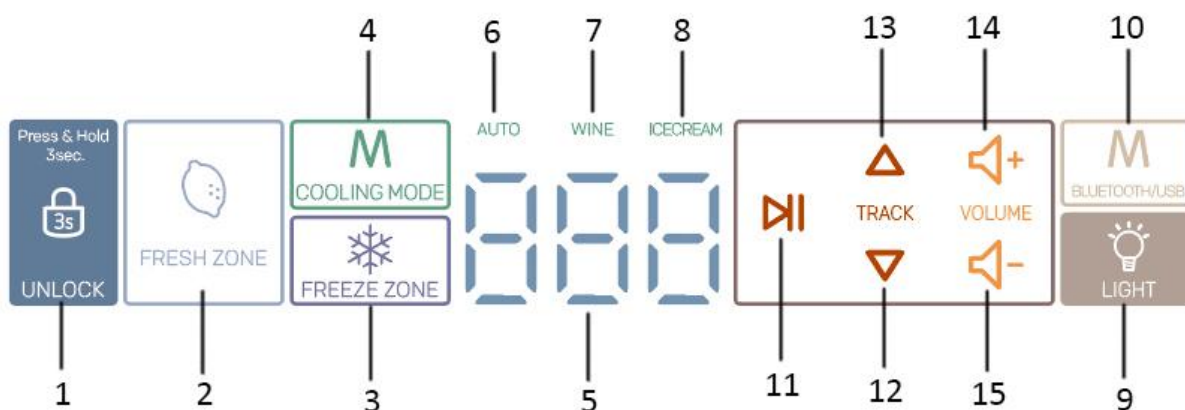
4. Przed użyciem urządzenie należy wyczyścić. Patrz część „CZYSZCZENIE I KONSERWACJA”.
5. Po czyszczeniu lub przestawieniu z miejsca na miejsce należy zawsze zostawić urządzenie, aby postać przez co najmniej 2 godziny.
6. Po odczekaniu 2 godzin, sprawdzić porty USB i Type-C i upewnić się, że nie ma w nich pary wodnej. Przewód zasilający znajduje się w spodniej części urządzenia. Mocno włożyć wtyczkę do odpowiedniego kontaktu. Należy zostawić wystarczający zapas długości przewodu zasilającego i nie dopuścić do potknięcia się o przewód zasilający.

RYSUNEK POGLĄDOWY

1. Szklany blat
2. Panel sterowania
3. Port USB (x2)
4. Port Type-C
5. Schowek
6. Szuflada prawa – zamrażarka
7. Szuflada lewa – lodówka
8. Noga
9. Audio



PANEL STEROWANIA



1. Przycisk odblokowujący
2. Ustawianie temperatury w szufladzie lodówki
3. Ustawianie temperatury w szufladzie zamrażarki
4. Przycisk trybu chłodzenia
5. Wyświetlacz cyfrowy
6. Kontrolka trybu automatycznego
7. Kontrolka trybu wina
8. Kontrolka trybu lodów
9. Przycisk włączania/wyłączania oświetlenia
10. Wybór załącza Bluetooth/USB
11. Odtwarzanie audio/pauza

12. Następny utwór
13. Ostatni utwór
14. Głośniej
15. Ciszej

Uwagi:

- Podczas nastawiania funkcji audio, temperatura nie jest wyświetlana, natomiast wyświetlacz pokazuje aktualne informacje dotyczące systemu audio.
- Wciśnięcie przycisku odblokowywania i przytrzymanie go przez 3 sekundy powoduje odblokowanie szuflad lodówki i zamrażarki. Sekcję audio można włączać lub wyłączać niezależnie od pozostałych.
- Dotknięcie przycisku włączania/wyłączania oświetlenia powoduje włączenie lub wyłączenie oświetlenia w schowku.

Obsługa szuflad lodówki i zamrażarki

Po pierwszym włączeniu przyciski nie są zablokowane, ale zostaną zablokowane po 10 sekundach braku aktywności.

1. W trybie blokady, wciśnięcie przycisku odblokowywania i przytrzymanie go przez 3 sekundy powoduje, że przyciski tej strefy stają się znów aktywne.
2. Prawa szuflada to szuflada zamrażarki; aby ustawić jej temperaturę, należy dotknąć przycisku „FREEZE ZONE” („STREFA ZAMRAŻANIA”): za każdym dotknięciem przycisku temperatura będzie się zmieniać cyklicznie w przedziale od -6°C do -12°C. Lewa szuflada to szuflada lodówki; aby ustawić jej temperaturę, wystarczy dotknąć przycisku „FRESH ZONE” („STREFA ŚWIEŻOŚCI”): za każdym dotknięciem przycisku temperatura będzie się zmieniać cyklicznie w przedziale od 1°C do 12°C. Należy jednak pamiętać, że istnieją różne zakresy regulacji temperatury w zależności od ustawionej temperatury w szufladzie zamrażarki. (Patrz tabela informacyjna poniżej) Jeśli przez ponad 3 sekundy nie zostaną wciśnięte żadne przyciski, ustawienie zostanie zatwierdzone i wyświetlacz przestanie migać.

Ustawiona temperatura zamrażarki (°C)	Zakres temperatury lodówki, który można ustawić (°C)
-12	1, 2, 3, 4, 5, 6, 7, 8
-11	2, 3, 4, 5, 6, 7, 8, 9
-10	3, 4, 5, 6, 7, 8, 9, 10
-9	4, 5, 6, 7, 8, 9, 10, 11
-8	5, 6, 7, 8, 9, 10, 11, 12
-7	6, 7, 8, 9, 10, 11, 12
-6	7, 8, 9, 10, 11, 12

3. Dotknięcie przycisku „COOLING MODE” („TRYB CHŁODZENIA”), pozwala wybrać dowolny z trzech trybów chłodzenia: tryb AUTO, tryb wina i tryb lodów. Po wybraniu trybu zaświeci się odpowiednia kontrolka. Temperatura ustawiona przez system jest następująca:

Tryb chłodzenia	Temperatura zamrażarki (°C)	Temperatura lodówki (°C)
AUTO	-12	3
Wino	-8	12
Lody	-12	6

4. Po otwarciu szuflady wyświetlacz pokazuje aktualną temperaturę w szufladzie. Jeśli drzwiczki lodówki będą otwarte zbyt długo lub nie zostaną dobrze domknięte, w równych odstępach czasu będzie się rozlegał alarm dźwiękowy, a wyświetlacz temperatury danej szuflady będzie wyświetlał migające litery „dr” (ang. door – drzwi), przypominając użytkownikowi o konieczności zamknięcia drzwiczek.

Uwagi dotyczące przechowywania produktów spożywczych:

- Nie należy w nich przechowywać produktów, które łatwo psują się w niskich temperaturach, takich jak banany lub owoce tropikalne. Zbyt silne schłodzenie powoduje, że produkty mogą stracić kolor i część witamin.
- Do szuflady nie wolno wkładać produktów gorących, ponieważ spowodowałoby to wzrost temperatury w urządzeniu, co wpłynęłoby na świeżość pozostałych produktów.

- Szuflady nie należy często otwierać. Gdy szuflada jest otwarta, napływa do niej gorące powietrze, przez co temperatura w szufladzie podnosi się.
- Aby nie dopuścić do odparowywania z produktów wilgoci i zachować ich smak oraz wartości odżywcze, prosimy zamknąć pojemniki z produktami folią plastikową lub woreczkiem plastikowym; ewentualnie, do przechowywania produktów spożywczych można też użyć pojemników z przykrywkami. Takie postępowanie może też zmniejszyć zapachy pojawiające się w szufladzie.
- Produkty takie jak warzywa i owoce należy przed włożeniem do szuflady dokładnie umyć.
- Butelki należy ustawiać ciasno obok siebie, aby nie wywracały się przy otwieraniu szuflady.
- Temperaturę należy nastawić odpowiednio do rodzaju produktu.

Obsługa funkcji audio

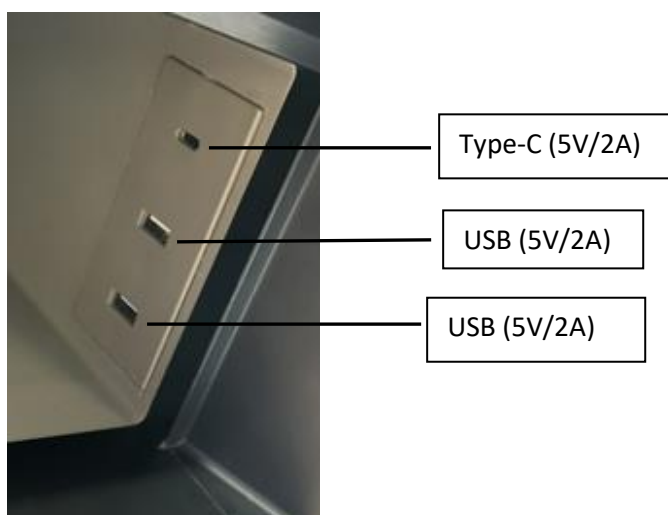
1. W telefonie komórkowym należy wyszukać i podłączyć urządzenie Bluetooth o nazwie „T3”. Po nawiązaniu połączenia Bluetooth na wyświetlaczu LED pojawi się komunikat „BL”. Od tego momentu głośnik urządzenia będzie pełnił funkcję zewnętrznego głośnika telefonu.

Uwaga: Gdy transmisja danych przez złącze Bluetooth zostanie przerwana, rozlegnie się komunikat głosowy „Bluetooth disconnected” („Połączenie Bluetooth rozłączone”). Po 5 minutach połączenie Bluetooth zostanie zresetowane. Gdy w zasięgu urządzenia pojawi się wcześniej używane urządzenie mobilne, połączenie Bluetooth zostanie automatycznie nawiązane ponownie.

2. Aby włączać/wstrzymywać odtwarzanie jakiegoś utworu, przełączać utwory lub regulować głośność, użytkownik może używać bądź telefonu komórkowego, bądź panelu sterowania urządzenia. Informacje na temat funkcji każdego przycisku podane są w części „PANEL STEROWANIA”. Po wybraniu ostatniego utworu na wyświetlaczu LED pojawi się komunikat „FF”. Po wybraniu następnego utworu na wyświetlaczu LED pojawi się komunikat „FB”.
3. Dane można również odczytywać i odtwarzać przez USB. Aby przełączać między odtwarzaniem przez złącze Bluetooth i USB, wystarczy dotknąć przycisku wyboru Bluetooth/USB. Po wybraniu trybu odtwarzania przez USB, na wyświetlaczu LED wyświetlany będzie komunikat „USB”.
4. Sterowanie głośnością ma 16 poziomów, ustawieniem domyślnym jest poziom 8. Każde wciśnięcie przycisku Głośniej zwiększa ustawienie głośności o jeden poziom, a każde wciśnięcie przycisku Ciszej zmniejsza je również o jeden poziom. Ustawienie głośności będzie pokazywane na wyświetlaczu LED, który jednak po 2 sekundach od zakończenia ustawiania głośności wróci do wyświetlania trybu źródła.

Funkcja ładowania przez USB

Jest jeden port Type-C i dwa porty USB. Gdy urządzenie jest podłączone do zasilania, można ładować urządzenia takie jak telefon komórkowy, iPad itp. Wystarczy kablem USB podłączyć swoje urządzenie do jednego z portów USB.



OSZCZĘDNOŚĆ ENERGII – WSKAZÓWKI

- Urządzenie należy ustawić w chłodnym i przewiewnym miejscu. Urządzenie należy trzymać z dala od źródeł ciepła i należy je chronić przed bezpośrednim nasłonecznieniem.
- Należy do minimum ograniczyć częstotliwość i czas otwierania drzwiczek.
- Przechowywane produkty spożywcze należy przykrywać lub w pakować.
- Nie wkładać gorących potraw ani napojów do szuflad zanim nie ostygną.
- Nigdy nie należy przepelniać szuflad; należy zadbać o to, aby mogło w nich krążyć powietrze.
- Nie należy nastawić temperatury na zbyt niską wartość. Im niższa ustawiona temperatura, tym wyższe zużycie energii.

CZYSZCZENIE I KONSERWACJA

Z przyczyn higienicznych urządzenie (łącznie z akcesoriami zewnętrznymi i wewnętrznymi) należy regularnie czyścić.

OSTRZEŻENIE: Podczas czyszczenia urządzenie nie może być podłączone do zasilania. Niebezpieczeństwo porażenia prądem! Przed czyszczeniem należy najpierw wyłączyć urządzenie i wyjąć wtyczkę z kontaktu ściennego.

- Po odłączeniu urządzenia od zasilania należy umyć jego powierzchnię miękką ściereczką z obojętnym płynem czyszczącym, a następnie wysuszyć.
- Na urządzenie nie należy rozpylać wody. Panel sterowania, gniazda USB / Type-C należy czyścić wyłącznie suchą szmatką. Prosimy uważać na ryzyko porażenia prądem i zwarcia!
- Do czyszczenia nie należy używać następujących produktów: środki czyszczące o odczynie lekko kwaśnym lub alkalicznym, proszek do szorowania, alkohol, różne kwaśne oleje, szorstkie szczotki, druciaki, gorąca woda itp.
- Urządzenie jest ciężkie. Podczas czyszczenia urządzeniem nie należy trząść. Błat urządzenia musi być zwrócony do góry.
- Siatki z tyłu urządzenia nie należy czyścić zbyt mocno, aby jej nie odkształcić i aby płyn używany do czyszczenia nie dostał się do środka urządzenia, co doprowadziłoby do zwarcia.

Demontaż i czyszczenie szuflad

- Przed wyjęciem szuflad należy z nich wyjąć całą ich zawartość.
- Wysunąć szuflady do samego końca, lekko unieść po stronie zewnętrznej, pociągnąć i wyjąć.
- Szuflady można myć czystą wodą. Suszyć miękką ściereczką. Do mycia nie należy nigdy używać gorącej wody, aby części nie popękały i aby uniknąć oparzeń.

Czyszczenie uszczelki drzwi

Uszczelka drzwi łatwo się brudzi, starzeje i ulega uszkodzeniom, co powoduje spadek efektu chłodzenia/mrożenia, dlatego należy utrzymywać ją w czystości.

Aby dokładnie umyć uszczelki drzwiczek, wystarczy zwykła woda.

Zaprzestanie używania urządzenia

Jeśli użytkownik nie będzie przez dłuższy czas korzystał z urządzenia, lepiej jest odłączyć je od zasilania i wyczyścić szuflady. Aby uniknąć brzydkich zapachów, drzwiczki szuflad należy zostawić otwarte.

Uwaga: Po wyjęciu wtyczki z kontaktu należy odczekać co najmniej 5 minut zanim będzie można włożyć wtyczkę do kontaktu z powrotem. Nie należy zbyt często wyłączać urządzenia.

TRANSPORT URZĄDZENIA

1. Wyłączyć urządzenie i wyjąć wtyczkę z kontaktu.
2. Wyjąć wszystkie produkty spożywcze.
3. Do mocowania ruchomych części należy używać taśmy.
4. Zamknąć drzwiczki szuflady i również zamocować je taśmą.

Ostrożnie! Niezależnie od okoliczności, urządzenia nie wolno odwracać do góry nogami. W czasie transportu, aby nie dopuścić do problemów z instalacją chłodzącą, produkt może być przechylony pod kątem nie większym niż 45 stopni.

POSTĘPOWANIE W PRZYPADKU AWARII PRĄDU

- W przypadku awarii zasilania szuflady utrzymują wewnątrz niską temperaturę przez 1-2 godziny, nawet latem. W takiej sytuacji nie należy wkładać do szuflad więcej żywności, należy też starać się nie otwierać drzwiczek szuflad.
- Jeśli użytkownik wie o przerwie w dostawie prądu z wyprzedzeniem, do szuflady można włożyć szczelny pojemnik z lodem.

Uwaga: Jeśli temperatura w szufladach podnosi się wskutek przerw w dostawie prądu lub z innych przyczyn, to wpływa to negatywnie na jakość produktów spożywczych.

SPECYFIKACJA TECHNICZNA

Napięcie znamionowe:	220 V - 240 V ~
Prąd znamionowy:	0,3 A
Częstotliwość znamionowa:	50 Hz
Moc żarówki:	1,5 W
Klasa klimatyczna:	SN/N/ST/T
Czynnik chłodniczy:	R600a (26 g)
Ochrona przed porażeniem prądem:	I
Gaz nadmuchu izolacji:	Cyklopentan
Poziom hałasu	40 dB(A)
Maks. moc przenoszenia	-6 ~ 4dBm
Zakres częstotliwości	2402 - 2480MHz

Uwaga: Identyfikator urządzenia DID jest podany na etykiecie znamionowej produktu, która jest przyklejona z boku szuflady.

ROZWIĄZYWANIE PROBLEMÓW

W przypadku pewnych ogólnych symptomów, prosimy zapoznać się z poniższą tabelą.

Objaw	Możliwa przyczyna	Rozwiązanie
Słychać odgłosy przepływającej wody.	Jest to normalne. Tym, co słyszymy jest chłodziwo cyrkulujące w urządzeniu.	/
Brak reakcji po wciśnięciu przycisków	Panel sterowania jest zablokowany.	Sprawdzić i odblokować panel sterowania.
Słychać drgania.	Jest to odgłos pracy kompresora.	/
	Urządzenie nie stoi na stabilnej i płaskiej powierzchni.	Przestawić urządzenie tak, aby stało na stabilnej i płaskiej powierzchni.
Usterka ładowania przez USB	Urządzenie nie jest podłączone do zasilania.	Podłączyć urządzenie do zasilania.
	Przerwany kabel ładujący.	Użyć dobrego kabla ładującego.
Kompresor pracuje bez non-stop.	Przy bardzo wysokiej temperaturze otoczenia jest to normalne.	/
	Nastawiona temperatura jest zbyt niska.	Ustawić odpowiednią temperaturę.
	Drzwiczki szuflady nie są całkowicie domknięte.	Upewnić się, że drzwiczki szuflady są całkowicie domknięte.
	Produkty włożone do szuflady są zbyt gorące.	Przed włożeniem do szuflady pozwolić, aby produkty najpierw ostygły do temperatury pokojowej.
	Urządzenie stoi w miejscu bezpośrednio nasłonecznionym	Dopilnować, aby urządzenie stało w chłodnym miejscu.

	lub w pobliżu urządzenia znajdują się źródła ciepła.	
	Do szuflady włożona za dużo produktów.	Uporządkować zawartość szuflady i dopilnować, aby mogło w niej cyrkulować powietrze.

GWARANCJA I SERWIS KONSUMENCKI

Przed dostarczeniem do klienta nasze urządzenia poddawane są rygorystycznej kontroli jakości. Jeśli, pomimo wszelkich starań, podczas produkcji lub transportu pojawi się uszkodzenie, należy zwrócić urządzenie do sprzedawcy. Dodatkowo do stosowanych powszechnie przepisów, nabywca ma prawo do reklamacji na podstawie warunków niniejszej gwarancji:

Dla każdego zakupionego urządzenia zapewniamy 2 lata gwarancji, poczynając od dnia zakupu. Uszkodzony produkt można zwrócić bezpośrednio w punkcie zakupu.

Niniejsza gwarancja nie obejmuje uszkodzeń spowodowanych niewłaściwą obsługą urządzenia, usterek w wyniku modyfikacji i napraw wykonanych przez strony trzecie lub w wyniku użycia nieoryginalnych części. Należy zachować dowód zakupu, który jest jedyną podstawą złożenia roszczenia gwarancyjnego. Producent nie ponosi odpowiedzialności za uszkodzenia powstałe w wyniku nieprzestrzegania instrukcji obsługi. Powoduje to unieważnienie gwarancji. Producent nie ponosi odpowiedzialności za szkody materiałowe ani obrażenia ciała spowodowane niewłaściwą obsługą urządzenia i nieprzestrzeganiem instrukcji obsługi. Uszkodzenie akcesoriów nie oznacza bezpłatnej wymiany całego urządzenia. W takim wypadku prosimy o kontakt z naszym serwisem. Stłuczone elementy szklane lub pęknięte elementy plastikowe są wymieniane za opłatą. Uszkodzenia materiałów eksploatacyjnych lub części podlegających zużyciu, a także czyszczenie, konserwacja i wymiana wspomnianych części nie jest objęta gwarancją i podlega opłacie.

Okres gwarancyjny na części zamienne wynosi 2 lata. Jeśli trzeba coś wymienić, prosimy o kontakt z działem obsługi klienta.

USUWANIE PRZYJAZNE ŚRODOWISKU



Recykling – Dyrektywa europejska nr 2012/19/UE

Ten znak oznacza, że urządzenia nie należy wyrzucać razem z innymi odpadami domowymi. Aby zapobiec możliwym szkodom dla środowiska i zdrowia ludzi spowodowanym niekontrolowaną utylizacją odpadów, poddaj produkt procesowi recyklingu w celu promowania zrównoważonego

ponownego wykorzystywania zasobów materiałowych. Aby zwrócić zużyte urządzenie, skorzystaj z systemu oddawania zużytych produktów lub skontaktuj się ze sprzedawcą. Sprzedawca może przyjąć produkt w celu przeprowadzenia bezpiecznego dla środowiska recyklingu.

W celu dokonania profesjonalnej naprawy i zamówienia części zamiennych prosimy o kontakt z naszym działem obsługi klienta.

Emerio B.V.
Zomervaart 1A
2033 DA Haarlem
The Netherlands

Customer service:
T: +31 (0) 23 3034369
E: emerio-de@sertronics.de

Kundeninformation:
T: +49 (0) 3222 1097 600
E: emerio-de@sertronics.de

Klantenservice:
T: +31 (0) 23 3034369
E: emerio-nl@sertronics.de