

Multimedia Cooling Table (EN)

Multimedia Tisch mit Kühlfunktion (DE)

Multimedia kylbord (SE)

Multimedia Koeltafel (NL)

Jäähdyttävä multimediapöytä (FI)

Multimedia kjølebord (NOR)

Multimediebord med køleskab (DK)

Content – Inhalt – Innehåll – Inhoud – Pitoisuus – Innhold – Indhold

Instruction manual – English	- 2 -
Bedienungsanleitung – German	- 14 -
Bruksanvisning – Swedish	- 26 -
Gebruiksaanwijzing – Dutch	- 38 -
Käyttöopas – Finnish	- 50 -
Brukermanual – Norwegian	- 62 -
Brugsanvisning – Danish.....	- 74 -

Original instructions

SAFETY INSTRUCTIONS

Before use make sure to read all of the below instructions in order to avoid injury or damage, and to get the best results from the appliance. Make sure to keep this manual in a safe place. If you give or transfer this appliance to someone else make sure to also include this manual.

In case of damage caused by user failing to follow the instructions in this manual the warranty will be void. The manufacturer/importer accepts no liability for damages caused by failure to follow the manual, a negligent use or use not in accordance with the requirements of this manual.

1. Read and save these instructions. Attention: pictures in the instructions are for reference only.
2. This appliance can be used by children aged from 8 years and above and persons with reduced physical, sensory or mental capabilities or lack of experience and knowledge if they have been given supervision or instruction concerning use of the appliance in a safe way and understand the hazards involved. Children shall not play with the appliance. Cleaning and user maintenance shall not be made by children without supervision.
3. Children aged from 3 to 8 years are allowed to load and unload refrigerating appliances.
4. If the supply cord is damaged, it must be replaced by the manufacturer, its service agent or similarly qualified persons in order to avoid a hazard.
5. **Warning!** The appliance shall be disconnected from its power source during cleaning or maintenance and when replacing parts.
6. **WARNING:** Keep ventilation openings, in the appliance enclosure or in the built-in structure, clear of obstruction.
7. **WARNING:** Do not use mechanical devices or other means

to accelerate the defrosting process, other than those recommended by the manufacturer.

8. **WARNING:** Do not damage the refrigerant circuit.
9. **WARNING:** Do not use electrical appliances inside the food storage compartments of the appliance, unless they are of the type recommended by the manufacturer.
10. Do not store explosive substances such as aerosol cans with a flammable propellant in this appliance.
11. This appliance is intended to be used in household and similar applications such as
 - staff kitchen areas in shops, offices and other working environments;
 - farm houses and by clients in hotels, motels and other residential type environments;
 - bed and breakfast type environments;
 - catering and similar non-retail applications.
12. **WARNING:** When positioning the appliance, ensure the supply cord is not trapped or damaged.
13. **WARNING:** Do not locate multiple portable socket-outlets or portable power supplies at the rear of the appliance.
14. To avoid contamination of food, please respect the following instructions:
 - Opening the door for long periods can cause a significant increase of the temperature in the compartments of the appliance.
 - Clean regularly surfaces that can come in contact with food and accessible drainage systems.
 - Clean water tanks if they have not been used for 48h; flush the water system connected to a water supply if water has not been drawn for 5 days. (Only applicable to water dispenser and water inlet system.)
 - Store raw meat and fish in suitable containers in the refrigerator, so that it is not in contact with or drip onto other food.
 - Two-star frozen-food compartments are suitable for storing pre-frozen food, storing or making ice cream and

making ice cubes.

- One-, two- and three-star compartments are not suitable for the freezing of fresh food.
- If the refrigerating appliance is left empty for long periods, switch off, defrost, clean, dry, and leave the door open to prevent mould developing within the appliance.

15. This refrigerating appliance is not intended to be used as a built-in appliance.

16. **Climate class:**

- Extended temperate (SN): 'this refrigerating appliance is intended to be used at ambient temperatures ranging from 10°C to 32 °C';
- Temperate (N): 'this refrigerating appliance is intended to be used at ambient temperatures ranging from 16 °C to 32 °C';
- Subtropical (ST): 'this refrigerating appliance is intended to be used at ambient temperatures ranging from 16 °C to 38 °C';
- Tropical (T): 'this refrigerating appliance is intended to be used at ambient temperatures ranging from 16 °C to 43 °C'.

17. Unplug the appliance from outlet when not in use, before putting on or taking off parts, before cleaning.

18. Make sure to place the plug all the way into socket when connecting your appliance.

19. Insert the plug into a single grounded socket.

20. Never use the appliance in place where combustible and inflammable materials are kept.

21. For safety reason, be sure to repair or replace parts at an authorized service dealer.

22. The motor is permanently lubricated and will require no oil.

23. The appliance must be positioned so that the plug is accessible.

24. Please follow the local regulations regarding disposal of the

appliance for its flammable blowing gas.

25. To clean the appliance, use only mild detergents or glass cleaning products. Never use harsh detergents or solvents.
26. Do not place hot food or drink into the drawers before it cools down to room temperature.
27. Close the drawers immediately after putting in any items so the inside temperature will not rise dramatically.
28. Keep appliance away from any heat source or direct sunlight.
29. To avoid injury from electrical shock do not operate the appliance with wet hands, while standing on a wet surface or while standing in water.
30. Do not use outdoors or in wet conditions.
31. Never pull the cord to disconnect it from the outlet. Grasp the plug and pull it from the outlet.
32. Keep the cord away from heated surfaces.
33. Check that the voltage of the power supply in your home is the same as the voltage shown on the rating label of this product.
34. The appliance is not intended to be operated by means of an external timer or a separate remote-control system.
35. It is recommended to check regularly the supply cord for any sign of possible deterioration, and the appliance should not be used if the cable is damaged.



36. **WARNING!** Risk of fire / flammable materials

Please keep the product far away from fire source during using, service and disposal. There are flammable materials at the back of the appliance.

37. Avoid liquid inflow to the USB / Type-C port in case of short circuit. Do not use wet cloth to wipe the USB / Type-C port when cleaning.
38. The appliance is only suitable for storage of food. It cannot

be used for other purposes, such as storage of blood, biological products.

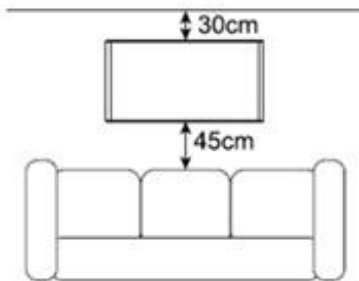
39. Flammable and explosive dangerous goods as well as strong corrosive acids, alkalis and other chemicals must not be stored in the drawers.
40. In order to ensure the safety, it is recommended not to put the socket, power supply, microwave ovens and other appliances on the surface of the product. Do not use electric devices inside the product to avoid electromagnetic interference or other accidents.
41. It is strictly forbidden to disassemble, modify the product, or damage the refrigeration line. The repair of the product must be carried out by professionals.
42. Regarding the information pertaining to the installation, handling, use, servicing, replacement of lamp (if applicable), cleaning and disposal of the appliance, thanks to refer to the below paragraph of the manual.

GENERAL INTRODUCTION

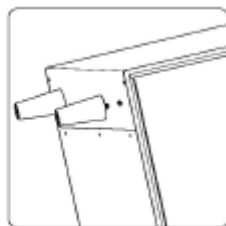
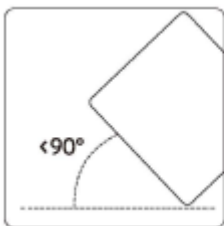
This is a creative appliance and furniture product. The fridge drawer can store fruits, drinks and snacks; the freezer room can store ice cream and other foods that need to be frozen. The product has Bluetooth connection supporting Bluetooth 5.0, USB and Type-C ports, which allows to play music and recharge devices such as mobile phone, iPad, etc.

PREPARATION BEFORE THE FIRST USE

1. Remove all packaging material including the foam base and foam tape for accessories fixing. Tare the transparent laminating on the surface so as not to affect the normal cooling and power consumption of the tea table. The foam pad shall be removed in the use of the tea table.
2. Place the appliance at a location which meets all the conditions below.
 - 1) Avoid the damp, cold environment and direct sunlight.
 - 2) More than 30 cm space shall be left in front of the tea table. The best distance from the sofa is about 45 cm.



- 3) The appliance should be placed on a flat and solid ground.
3. To install the feet, take out the feet from the right freezer drawer; tilt the appliance no more than 90°; align and tighten the feet to the bottom of the appliance.

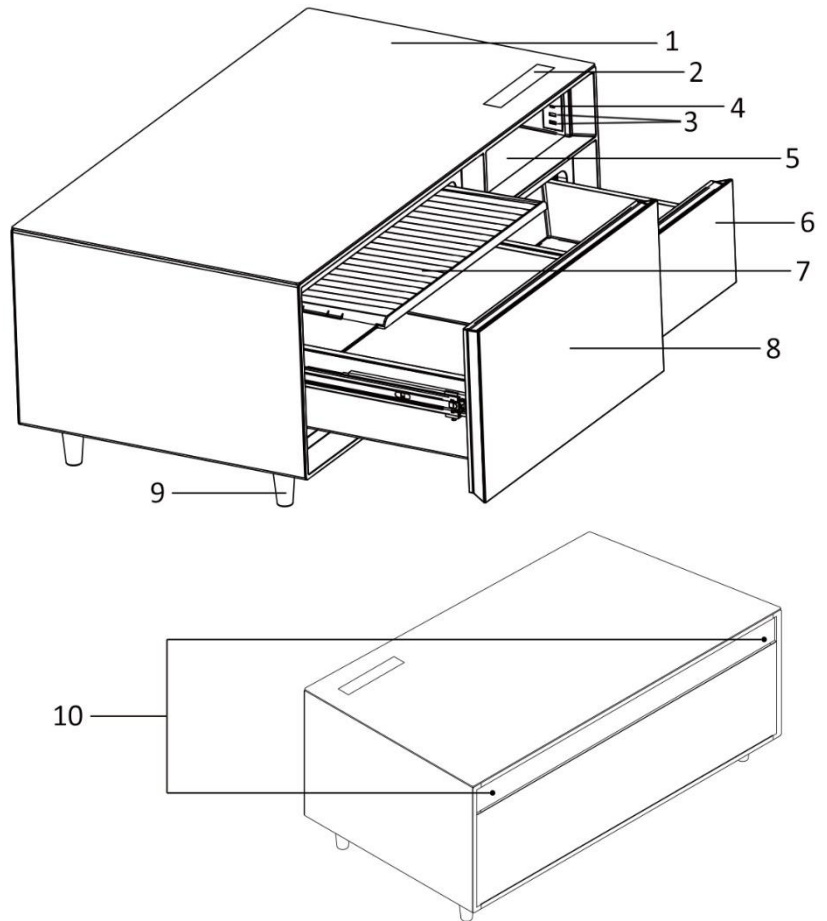


Note:

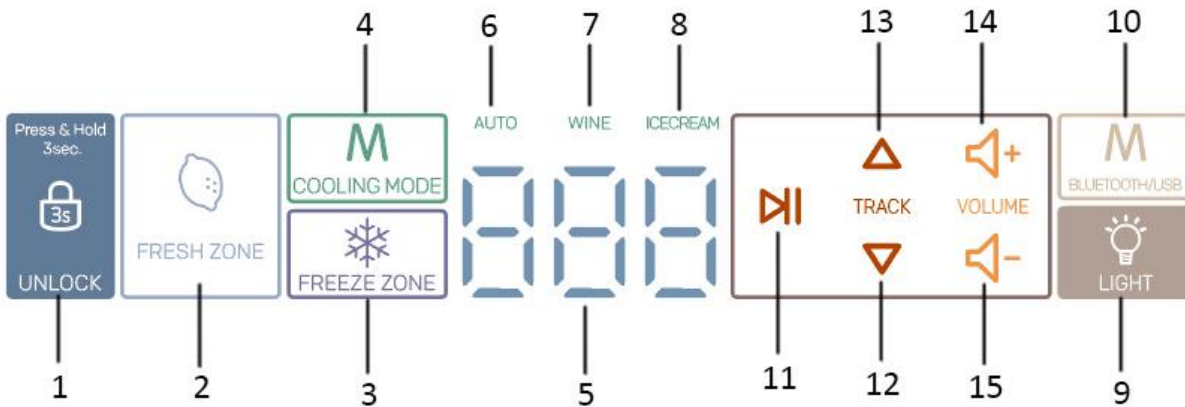
- Do not put the appliance upside down during installation.
 - If the raise of height needed, flat, solid and nonflammable pad should be chosen. If it is slightly unstable, please adjust the adjustable feet of the tea table. Never use the packing foam for the base support.
4. Clean the appliance before use. Refer to the section "CLEANING AND CARE".
 5. Always let the appliance rest for at least 2 hours after moving or cleaning it.
 6. After rest of 2 hours, check the USB and Type-C ports, making sure there is no water vapor. The power cord is at the bottom of the appliance. Properly put the plug into an appropriate power outlet. Leave enough length of power cord and prevent from any stumbling due to the power cord.

STRUCTURE ILLUSTRATION

1. Glass tabletop
2. Control panel
3. USB port (x2)
(The upper USB port only supports charging; the bottom USB port supports charging and playing.)
4. Type-C port
5. Storage room
6. Right freezer drawer
7. Fridge water tray
8. Left fridge drawer
9. Feet
10. Audio



CONTROL PANEL



1. Unlock button
2. Temperature setting for fridge drawer
3. Temperature setting for freezer drawer
4. Cooling mode button
5. Digital display
6. Auto mode indicator light
7. Wine mode indicator light
8. Ice cream mode indicator light
9. Light on/off button
10. Bluetooth/USB selection
11. Audio Play/Pause
12. Next track
13. Last track
14. Volume up
15. Volume down

Notes:

- When setting the audio function, there is no temperature display, but the display of current audio operation.
- Press the unlock button for 3 seconds, the fridge and freezer drawers are unlocked. The audio section can be activated or closed independently.
- Touch the light on/off button, the light in the storage room will be on or off.

Operation for the fridge and freezer drawers

After powering on for the first time, the buttons are in the non-locking state and they will enter into the locked state after 10 seconds without any operation.

1. In the locked state, press the unlock button for 3 seconds, then you can touch other buttons of this zone for operation.
2. The right drawer is a freezer drawer; to set its temperature, touch the button “FREEZE ZONE”, and the temperature will cycle from -6 °C to -12 °C with each touch. The left drawer is a fridge drawer; to set its temperature, touch the button “FRESH ZONE”, and the temperature will cycle from 1°C to 12 °C with each touch, but there are different ranges of adjustable temperature according to the freezer drawer’s temperature you set. (See the reference table below) If there is no operation for more than 3 seconds, the setting will be confirmed and the display will stop flashing.

The freezer temperature you have set (°C)	The fridge temperature range you could set (°C)
-12	1, 2, 3, 4, 5, 6, 7, 8
-11	2, 3, 4, 5, 6, 7, 8, 9
-10	3, 4, 5, 6, 7, 8, 9, 10
-9	4, 5, 6, 7, 8, 9, 10, 11
-8	5, 6, 7, 8, 9, 10, 11, 12
-7	6, 7, 8, 9, 10, 11, 12
-6	7, 8, 9, 10, 11, 12

3. By touching the button “COOLING MODE”, you can select any of the three cooling modes: AUTO mode, wine mode and ice-cream mode. The corresponding indicator light will be on when a certain mode is selected. The system-set temperature is as follows.

Cooling mode	Freezer temperature (°C)	Fridge temperature (°C)
AUTO	-12	3
Wine	-8	12
Ice-cream	-12	6

4. If the drawer door stays open too long or it’s not closed very tight, the buzzer will alarm at intervals and the display screen will show a flashing “dr” to remind you to close the door in time.

Notes for storing food:

- Do not store foods which are easily addled at low temperature, such as bananas, cut tropical fruits. Excessive cooling will make the food discolored and its vitamin reduced.
- Do not put hot food into the drawer, for it will increase the temperature inside and affect the freshness of other foods.
- Do not open the drawer frequently. When the drawer is open, the hot air will come into the drawer and cause the rising of the inside temperature.
- Please use plastic wrap or bag to seal the food containers, or use a covered container to store food, in order to avoid the evaporation of food moisture and retain the flavor and nutrition of food. It can also reduce the smell inside the drawer.
- Food such as vegetables and fruits should be washed and scrubbed clean before put into the drawer.
- The bottles should be tightly placed to prevent them from tilting when opening the drawer.
- Adjust the temperature according to the food characteristics.

Audio operation function

1. Search and connect the Bluetooth device named as “T3” on your mobile phone. Now the appliance’s speaker works as the external speaker for your mobile phone.

Note: When the Bluetooth data transmission is disconnected, the voice prompts “Bluetooth disconnected”. After 5 minutes, the Bluetooth will be reset. When the previous mobile device come back to the connectable range, the Bluetooth will be automatically connected.

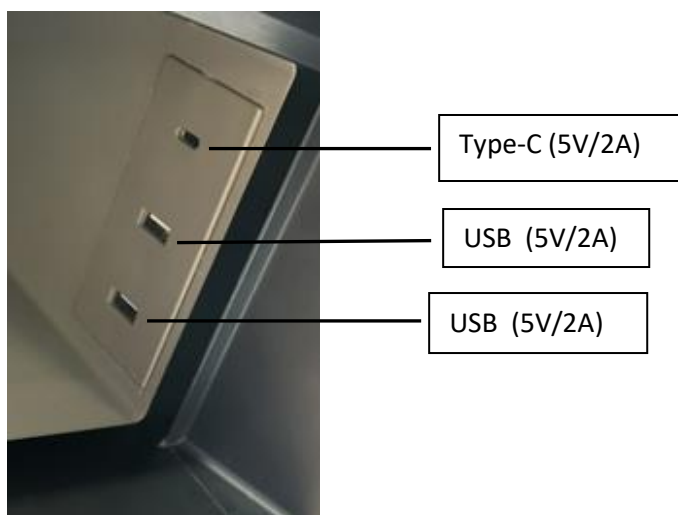
2. You can either operate on your mobile phone or on the control panel of the appliance, to make the song play/pause, switch songs or adjust volume. See the section “CONTROL PANEL” to find the function of each button. When you select the last track, “FF” is displayed on the LED. When you select the next track, “FB” is displayed on the LED.

3. Through a USB connection to the bottom USB port, the data will also be read and played. To switch the Bluetooth and USB playing, touch the Bluetooth/USB selection button to make the choice.

4. There are 16 levels of volume, and the default volume is No. 8. Each time you press the volume-up button, the volume increases one level; each time you press the volume-down button, the volume decreases one level. The volume setting will be shown on the LED display, which will return to the source mode display after 2 seconds when the volume setting is finished.

USB Charging function

There are one type-C port and two USB ports. When the appliance is powered on, you can recharge the devices such as mobile phone, iPad, etc. by connecting your devices to the ports through a cable.



TIPS FOR ENERGY-SAVING

- Put the appliance in a cool and well-ventilated place. Keep it far away from heat sources and avoid direct sunlight.
- Minimize the time and frequency of door opening.
- Cover or wrap the food for storage.
- Do not put hot food or drink into the drawers before cooling off.
- Never overfill the drawers; allow the air to flow.
- Do not set the temperature too low. The lower the set temperature is, the higher temperature consumption is needed.

CLEANING AND CARE

For hygienic reasons the appliance (including exterior and interior accessories) should be cleaned regularly.

WARNING: The appliance must not be connected to the mains during cleaning. Danger of electrical shock! Before cleaning, switch the appliance off and remove the plug from the mains socket.

- After the appliance is disconnected from the power, use soft cloth with neutral cleaning solvent to clean the surface, and then make it dry.
- Do not spray water to the appliance. Clean the control panel, USB / Type-C sockets with a dry cloth only. Avoid electric shock and short circuit!
- Do not use the following materials for cleaning: weak acidic or alkaline cleaning agents, grinding powder detergents, Benzene zinc sodium water, alcohol, various acid oil, stiff brush, abrasive sponge brush, hot water, etc.
- The appliance is heavy. When cleaning, do not shake the appliance, make sure the table top is facing upwards.
- Do not clean the back net too hard in case the net is deformed and cleaning liquid enters into inside, which will cause short circuit.

Disassembly and cleaning of drawers

- Take out all the content in the drawer before removing the drawers.
- Pull the drawers to the end, lift the outside of the drawers a bit upwards and then pull the drawers out.
- You can wash the drawers by clean water. Dry them with soft cloth. Never use hot water for cleaning, in case these parts crack and hurt people.

Door seal cleaning

Door seal is easy to be dirty, aged and damaged, which will cause the refrigerating/freezing effect decline, so please keep it clean.

Use water to clean the door seal and dry it thoroughly.

Stop using the appliance

If you stop using the appliance for a long time, you'd better unplug the appliance and clean the drawers. Leave the drawer's doors open to avoid smell.

Note: If the plug has been taken out, you need to wait at least 5 minutes to put in the plug again. Do not stop the appliance too often.

TRANSPORT OF THE APPLIANCE

1. Switch off the appliance and take out the plug.
2. Take out all the food.
3. Use tape to fix the movable parts.
4. Close the drawer door and fix it with tape.

Caution! Don't put the appliance upside down at any circumstance. During the transport, please keep an angle no larger than 45 degree in order to avoid cooling system problem.

POWER FAILURE AND HANDLING

- If there is power failure, the drawers will keep the inside temperature within 1-2 hours even in summer. In this situation, do not put in more food, and try not to open the drawer's door.
- If you know the power failure in advance, you can put a water-tight container with ice into the drawer.

Note: Temperature in drawers goes up due to power failure or other reasons will affect the food quality.

TECHNICAL SPECIFICATIONS

Rated voltage:	220V-240V~
Rated current:	0.3A
Rated frequency:	50Hz
Lamp power:	1.5W
Climate class:	SN/N/ST/T
Refrigerant:	R600a(26g)

Protection against electrical shock:	I
Insulation blowing gas:	Cyclopentane
Noise level	40 dB(A)
Max. transmitting power	-6 ~ 4dBm
Frequency range	2402 - 2480MHz

Note: DID is reflected on the product rating label, which is pasted on the side of the drawer.

TROUBLESHOOTING

For some general symptoms, please check the table below.

Symptom	Possible cause	Solution
There is water flowing sound.	It's normal. It is refrigerant flowing inside.	/
No response when touching the buttons	The control panel is locked.	Check and unlock the control panel.
There is vibration sound.	It's the compressor working sound.	/
	The appliance has not been put on a stable and flat surface.	Replace the appliance on a stable and flat surface.
Charging failure	The appliance is not powered on.	Power on the appliance.
	The charging cable is broken.	Use a proper charging cable.
The compressor works without stop.	It's normal if the environment temperature is very high.	/
	The set temperature is too low.	Set an appropriate temperature.
	The drawer door is not fully closed.	Make sure the drawer door is tightly closed.
	The food put into the drawer is too hot.	Let the food cools down to room temperature before it is put into the drawer.
	If there is direct sunlight or other hot sources near the appliance.	Make sure the appliance is located in a cool place.
	Too much food is put into the drawer.	Arrange the drawer and make sure there is space for air flow.

GUARANTEE AND CUSTOMER SERVICE

Before delivery our devices are subjected to rigorous quality control. If, despite all care, damage has occurred during production or transportation, please return the device to your dealer. In addition to statutory legal rights, the purchaser has an option to claim under the terms of the following guarantee:

For the purchased device we provide 2 years guarantee, commencing from the day of sale. If you have a defective product, you can directly go back to the point of purchase.

Defects which arise due to improper handling of the device and malfunctions due to interventions and repairs by third parties or the fitting of non-original parts are not covered by this guarantee. Always keep your receipt, without the receipt you can't claim any form of warranty. Damage caused by not following the instruction manual, will lead to a void of warranty, if this results in consequential damages then we will not be liable. Neither can we hold responsible for material damage or personal injury caused by improper use or if the instruction manual are not properly executed. Damage to accessories does not mean free replacement of the whole appliance. In such case please contact our service department. Broken glass or breakage of plastic parts is always subject to a charge. Defects to consumables or parts subjected to wearing, as well as cleaning, maintenance or

the replacement of said parts are not covered by the warranty and are to be paid.
The guarantee period of the spare parts is 2 years. If you need replacement, please contact our customer service.

ENVIRONMENT FRIENDLY DISPOSAL



Recycling – European Directive 2012/19/EU

This marking indicates that this product should not be disposed with other household wastes. To prevent possible harm to the environment or human health from uncontrolled waste disposal, recycle it responsibly to promote the sustainable reuse of material resources. To return your used

device, please use the return and collection systems or contact the retailer where the product was purchased. They can take this product for environmental safe recycling.

If you have any problems with the device or need to order spare parts, please check the hotline phone number on our web site www.emerio.eu/service.

Emerio Nordic AB
Smedjegatan 6
131 54 Nacka
Sweden

Übersetzung der Originalanleitung

SICHERHEITSINFORMATIONEN

Lesen Sie vor dem Gebrauch unbedingt die nachfolgenden Anleitungen, um Verletzungen oder Beschädigungen zu vermeiden und das beste Ergebnis mit dem Gerät zu erzielen. Bewahren Sie diese Bedienungsanleitung an einem sicheren Ort auf. Wenn Sie dieses Gerät an eine andere Person weitergeben, stellen Sie sicher, dass Sie auch diese Bedienungsanleitung aushändigen.

Im Falle von Beschädigungen, die durch die Missachtung der Anleitungen in dieser Bedienungsanleitung verursacht wurden, wird die Garantie ungültig. Der Hersteller/Importeur haftet nicht für Schäden, die durch Missachtung der Bedienungsanleitung, fahrlässigen Gebrauch oder Benutzung, die nicht in Übereinstimmung mit den Anforderungen dieser Bedienungsanleitung erfolgt, verursacht wurden.

1. Lesen und bewahren Sie diese Anleitungen auf. Achtung: Die Bilder in der Bedienungsanleitung dienen nur zur Veranschaulichung.
2. Dieses Gerät kann von Kindern ab 8 Jahren und von Personen mit eingeschränkten physischen, sensorischen oder geistigen Fähigkeiten oder ohne Erfahrung und/oder Wissen benutzt werden, wenn diese durch eine für ihre Sicherheit zuständige Person beaufsichtigt werden oder von ihr Anweisungen erhielten, wie das Gerät sicher zu benutzen ist und sie auf die Risiken aufmerksam gemacht wurden. Kinder dürfen nicht mit dem Gerät spielen. Kinder sollten dieses Gerät nicht unbeaufsichtigt reinigen oder warten.
3. Kinder im Alter zwischen 3 und 8 Jahren dürfen Kühlgeräte befüllen und leeren.
4. Wenn die Netzanschlussleitung dieses Gerätes beschädigt wird, muss sie durch den Hersteller oder seinen

Kundendienst oder eine ähnlich qualifizierte Person ersetzt werden, um Gefährdungen zu vermeiden.

5. **Warnung!** Beim Instandhalten, Reinigen und Auswechseln von Teilen muss das Gerät von der Spannungsquelle getrennt werden.
6. **WARNUNG:** Halten Sie die Lüftungsöffnungen im Gehäuse oder direkt im Gerät frei von Hindernissen.
7. **WARNUNG:** Setzen Sie bis auf die vom Hersteller empfohlenen Hilfsmittel keine anderen mechanischen Vorrichtungen oder Mittel ein, um den Abtauvorgang zu beschleunigen.
8. **WARNUNG:** Beschädigen Sie den Kältemittelkreislauf nicht.
9. **WARNUNG:** Verwenden Sie keine elektrischen Geräte in den Lebensmittelfächern des Geräts, es sei denn, sie entsprechen dem Typ, der vom Hersteller empfohlen wird.
10. Lagern Sie keine explosionsgefährlichen Spraydosen mit brennbarem Treibgas in diesem Gerät.
11. Dieses Gerät ist dazu bestimmt, im Haushalt und ähnlichen Anwendungsbereichen benutzt zu werden, wie z.B.:
 - in Personalküchen von Ladengeschäften, Büros und anderen Arbeitsumgebungen,
 - auf Bauernhöfen, von Gästen in Hotels, Motels und anderen Wohnumgebungen,
 - Pensionen und ähnlichen Unterkünften,
 - im Catering und ähnlichen Nicht-Einzelhandelsbereichen.
12. **WARNUNG:** Stellen Sie das Gerät so auf, dass das Versorgungskabel nicht eingeklemmt oder beschädigt wird.
13. **WARNUNG:** Stellen Sie keine Mehrfachsteckdosen oder tragbare Stromquellen an der Rückseite des Geräts auf.
14. Um eine Kontamination von Lebensmitteln zu vermeiden, beachten Sie bitte folgende Hinweise:
 - Ein längeres Öffnen des Deckels kann zu einer deutlichen Erhöhung der Temperatur im Gerät führen.
 - Reinigen Sie regelmäßig die Oberflächen, die mit Lebensmitteln und den zugänglichen Abläufen in Berührung kommen können.
 - Reinigen Sie die Wasserbehälter, wenn diese 48 Stunden

lang nicht benutzt wurden. Spülen Sie den Wasserkreislauf, wenn 5 Tage lang kein Wasser verbraucht wurde. (Gilt nur für Wasserspender und Wasserzulauf)

- Bewahren Sie Fleisch und Fisch in geeigneten Behältnissen im Kühlschrank auf, damit sie keinen Kontakt mit anderen Lebensmitteln bekommen oder auf sie tropfen können.
- Tiefkühlfächer mit 2 Sternen eignen sich für die Aufbewahrung tiefgekühlter Lebensmittel, zum Aufbewahren oder Herstellen von Speiseeis und Eiswürfeln.
- Zum Einfrieren frischer Lebensmittel sind Tiefkühlfächer mit einem, zwei oder drei Sternen nicht geeignet.
- Wenn das Kühlgerät längere Zeit leer bleibt, schalten Sie es aus, tauen Sie es ab, reinigen und trocknen sie es. Lassen Sie die Tür geöffnet, damit sich im Geräteinneren kein Schimmel bildet.

15. Dieses Kühlgerät ist nicht als Einbaugerät vorgesehen.

16. **Klimaklasse:**

- SN (Subnormal): Das Kühlgerät eignet sich für Umgebungstemperaturen von 10 bis 32 °C.
- N (Normal): Das Kühlgerät eignet sich für Umgebungstemperaturen von 16 bis 32 °C.
- ST (Subtropisch): Das Kühlgerät eignet sich für Umgebungstemperaturen von 16 bis 38 °C.
- T (Tropisch): Das Kühlgerät eignet sich für Umgebungstemperaturen von 16 bis 43 °C.

17. Ziehen Sie den Netzstecker aus der Steckdose, wenn das Gerät nicht benutzt wird, bevor Sie Teile befestigen bzw. abnehmen und bevor Sie das Gerät reinigen.

18. Achten Sie beim Anschließen des Netzsteckers darauf, dass dieser bis zum Anschlag in der Steckdose sitzt.

19. Schließen Sie den Stecker an eine geerdete Einzelsteckdose an.

20. Benutzen Sie das Gerät nicht an Orten, an denen brennbare und zündfähige Stoffe aufbewahrt werden.
21. Lassen Sie Ersatzteile aus Sicherheitsgründen immer von einem Vertragshändler reparieren oder auswechseln.
22. Der Motor ist dauergeschmiert und muss nicht nachgeölt werden.
23. Das Gerät muss so aufgestellt werden, dass der Netzstecker stets zugänglich ist.
24. Bei der Entsorgung des Geräts müssen die örtlichen Vorschriften befolgt werden, da das Gerät entzündliches Treibgas und Kältemittel enthält.
25. Zum Reinigen des Geräts nur milde Reiniger oder Glasreiniger verwenden. Keine aggressiven Präparate oder Lösungsmittel verwenden.
26. Stellen Sie keine heißen Speisen oder Getränke in die Fächer. Lassen Sie sie erst auf Zimmertemperatur abkühlen.
27. Schließen Sie die Fächer sofort, nachdem Sie Lebensmittel hineingelegt haben, damit die Innentemperatur nicht übermäßig steigt.
28. Halten Sie das Gerät fern von Wärmequellen und direktem Sonnenlicht.
29. Zur Vermeidung von schweren Verletzungen das Gerät nicht benutzen, wenn Ihre Hände nass sind, wenn Sie auf nassem Untergrund oder im Wasser stehen.
30. Nicht im Freien oder bei Nässe benutzen.
31. Zum Trennen von der Steckdose nie am Netzkabel ziehen, sondern nur am Netzstecker.
32. Das Netzkabel von beheizten Flächen fernhalten.
33. Die Netzspannung im Haushalt muss mit den Spannungsangaben auf dem Typenschild am Gerät übereinstimmen.
34. Dieses Gerät ist nicht für den Betrieb über eine externe Zeitschaltvorrichtung oder ein separates Fernbedienungssystem vorgesehen.
35. Es empfiehlt sich, das Netzkabel regelmäßig auf schadhafte Stellen zu untersuchen. Wenn das Netzkabel beschädigt ist,

darf das Gerät nicht benutzt werden.



36. **WARNUNG!** Brandgefahr / zündfähige Materialien

Das Gerät muss bei der Benutzung, Reparatur und Entsorgung weit genug von Zündquellen entfernt sein. Auf der Rückseite des Geräts befinden sich zündfähige Materialien.

37. Achten Sie darauf, dass keine Flüssigkeiten in den USB-/USB-C-Anschluss gelangen, da es sonst zu einem Kurzschluss kommen könnte. Wischen Sie bei der Reinigung nicht mit einem feuchten Tuch über den USB-/USB C-Anschluss.

38. Das Gerät ist nur zur Lagerung von Lebensmitteln geeignet. Es darf nicht für andere Zwecke benutzt werden, z. B. Lagerung von Blut, biologischen Produkten.

39. Brennbare und explosionsgefährliche Waren sowie stark ätzende Säuren, Basen und andere Chemikalien dürfen nicht in den Fächern aufbewahrt werden.

40. Um die Sicherheit zu gewährleisten, wird empfohlen, Steckdosen, Netzteile, Mikrowellenherde und andere Geräte nicht auf die Oberfläche des Geräts zu stellen. Verwenden Sie keine elektrischen Geräte im Inneren des Produkts, um elektromagnetische Störungen oder andere Störfälle zu vermeiden.

41. Es ist strengstens untersagt, das Produkt zu zerlegen, zu modifizieren oder die Kühlleitung zu beschädigen. Die Reparatur des Produkts muss von Fachleuten durchgeführt werden.

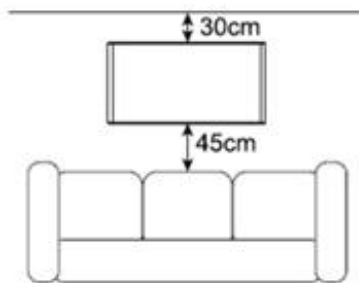
42. Um Informationen zu Installation, Benutzung, Handhabung, Wartung, Austausch der Lampe (sofern zutreffend), Reinigung und Entsorgung zu erhalten, lesen Sie bitte den nachfolgenden Abschnitt in der Bedienungsanleitung.

EINLEITUNG

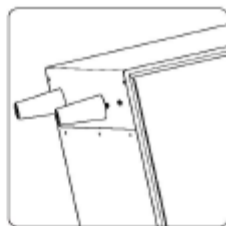
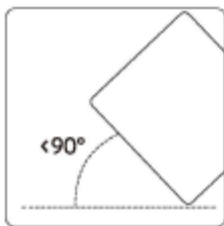
Dies ist eine praktische Kombination aus Haushaltsgerät und Möbelstück. Im Kühlschrankfach können Obst, Getränke und Snacks aufbewahrt werden und im Tiefkühlfach können Speiseeis und andere Lebensmittel aufbewahrt werden, die tiefgekühlt sein müssen. Das Produkt verfügt über eine Bluetooth-Verbindung mit Bluetooth 5.0 und USB- und USB-C-Anschlüsse, über die Musik abgespielt und Geräte wie Mobiltelefone, iPads usw. aufgeladen werden können.

VORBEREITUNG VOR DER ERSTEN BENUTZUNG

1. Entfernen Sie das gesamte Verpackungsmaterial einschließlich der Schaumstoffunterlage und des Schaumstoffklebebands zur Befestigung des Zubehörs. Ziehen Sie die transparente Folie von der Oberfläche ab, um eine normale Kühlung zu gewährleisten und den Stromverbrauch des Sofatischs nicht zu beeinträchtigen. Das Schaumstoffpolster muss bei der Verwendung des Sofatischs entfernt werden.
2. Stellen Sie das Gerät an einem Ort auf, der alle unten genannten Bedingungen erfüllt.
 - 1) Vermeiden Sie feuchte, kalte Umgebungen sowie direktes Sonnenlicht.
 - 2) Vor dem Gerät müssen mehr als 30 cm Platz frei bleiben. Ein Abstand zum Gerät von etwa 45 cm ist optimal.



- 3) Das Gerät sollte auf einen ebenen und festen Untergrund gestellt werden.
3. Zum Montieren der Füße nehmen Sie diese aus der rechten Gefrierschublade. Kippen Sie das Gerät nicht weiter als 90° und schrauben Sie die Füße unten am Gerät fest.

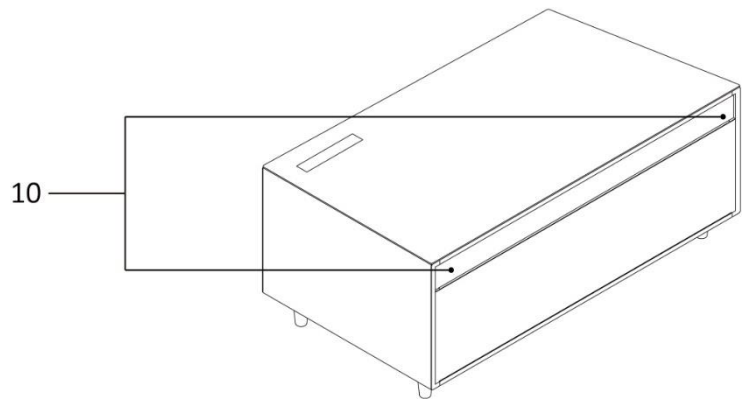
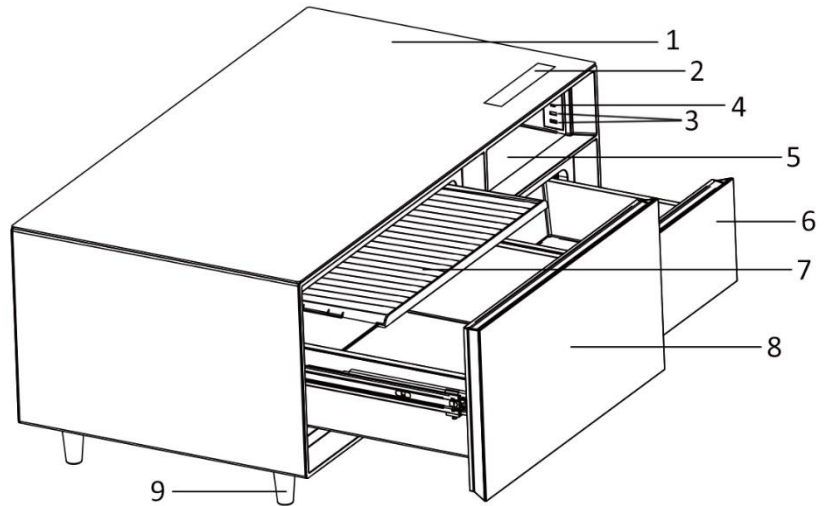


Hinweis:

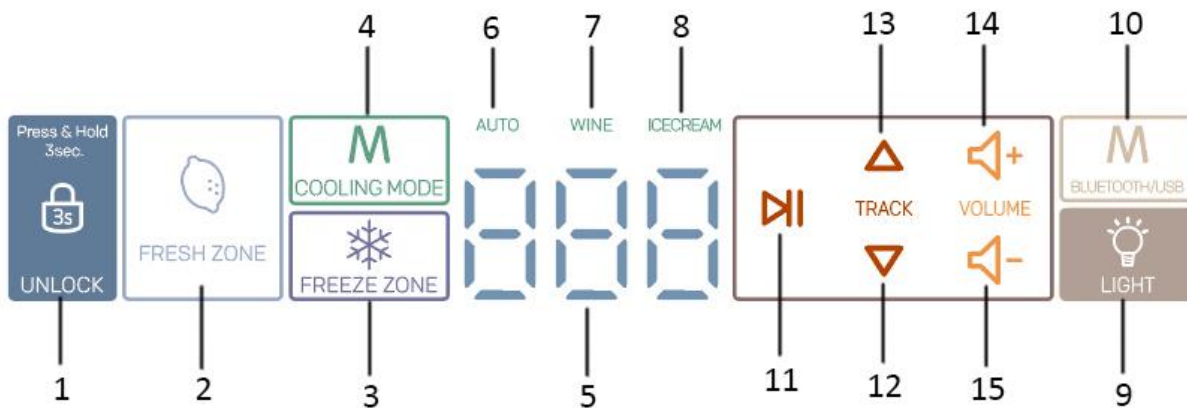
- Stellen Sie das Gerät beim Montieren nicht auf den Kopf.
 - Falls ein Sockel benötigt wird, sollte eine flache, massive und nicht brennbare Unterlage gewählt werden. Bei wackeligem Stand können die Gerätefüße verstellt werden. Verwenden Sie den Schaumstoff der Verpackung auf keinen Fall als Geräteunterlage.
4. Reinigen Sie das Gerät vor dem Gebrauch. Beachten Sie den Abschnitt „REINIGUNG UND PFLEGE“.
 5. Lassen Sie das Gerät immer mindestens 2 Stunden ruhen, nachdem Sie es bewegt oder gereinigt haben.
 6. Überprüfen Sie nach 2 Stunden Ruhe die USB- und USB C-Anschlüsse und stellen Sie sicher, dass kein Wasserdampf vorhanden ist. Das Netzkabel befindet sich unten am Gerät. Schließen Sie den Netzstecker an eine geeignete Steckdose an. Achten darauf, dass das Netzkabel locker verlegt wird, und verhindern Sie, dass man darüber stolpern kann.

SCHEMATISCHER AUFBAU

1. Tischplatte aus Glas
2. Bedienfeld
3. 2 USB-Anschlüsse
(Der obere USB-Port unterstützt nur Aufladen. Der untere USB-Port unterstützt Aufladen und Wiedergabe.)
4. USB C-Anschluss
5. Abstellraum
6. Rechtes Tiefkühlfach
7. Wasserauffangschale für den Kühlschrank
8. Linkes Kühlfach
9. Standfüße
10. Audio



BEDIENFELD



1. Entriegelungstaste
2. Temperatureinstellung für Kühlfach
3. Temperatureinstellung für Tiefkühlfach
4. Taste Kühlmodus
5. Digital-Display
6. Anzeigeleuchte automatischer Modus
7. Anzeigeleuchte Weinkühlmodus
8. Anzeigeleuchte Eiskrem-Modus
9. Taste Licht ein/aus
10. Bluetooth/USB-Auswahl
11. Audiowiedergabe/Pause
12. Nächster Titel

13. Vorheriger Titel
14. Lauter
15. Leiser

Hinweise:

- Wenn die Audiofunktion eingestellt ist, wird statt der Temperatur die gegenwärtige Audiowiedergabe angezeigt.
- Drücken Sie 3 Sekunden lang die Entsperrtaste, um die Kühl- und Tiefkühlfächer zu entriegeln. Der Audibereich kann unabhängig aktiviert oder geschlossen werden.
- Betätigen Sie die Lichttaste, um die Beleuchtung des Staufachs ein- oder auszuschalten.

Bedienung der Kühl- und Tiefkühlfächer

Nach dem ersten Einschalten befinden sich die Tasten im unverriegelten Zustand. Nach 10 Sekunden ohne Bedienung kehren sie in den verriegelten Zustand zurück.

1. Wenn Sie im verriegelten Zustand die Entriegelungstaste 3 Sekunden lang drücken, können Sie die jeweilige Zone mit den anderen Tasten bedienen.
2. Das rechte Fach ist das Tiefkühlfach. Um die Temperatur einzustellen, berühren Sie die Taste "FREEZE ZONE". Mit jedem Tastendruck wechselt die Temperatur zwischen -6 ° C und -12 ° C. Das linke Fach ist ein Kühlfach. Zum Einstellen der Temperatur berühren Sie die Taste "FRESH ZONE". Mit jeder Betätigung wechselt die Temperatur von 1 ° C zu 12 ° C. Je nachdem, für welches Fach eine Temperatur eingestellt wird, lassen sich unterschiedliche Temperaturbereiche festlegen. (Beachten Sie dazu die nachstehende Tabelle.) Wenn mehr als 3 Sekunden lang keine Bedienung erfolgt, wird die Einstellung bestätigt und die Anzeige hört auf zu blinken.

Eingestellte Tiefkühltemperatur (°C)	Einstellbare Kühlfachtemperatur (°C)
-12	1, 2, 3, 4, 5, 6, 7, 8
-11	2, 3, 4, 5, 6, 7, 8, 9
-10	3, 4, 5, 6, 7, 8, 9, 10
-9	4, 5, 6, 7, 8, 9, 10, 11
-8	5, 6, 7, 8, 9, 10, 11, 12
-7	6, 7, 8, 9, 10, 11, 12
-6	7, 8, 9, 10, 11, 12

3. Mit der Taste "COOLING MODE" können Sie aus drei Kühlfunktionen auswählen: AUTO (Automatisch), Wein und Eiskrem. Die entsprechende Anzeigeleuchte schaltet sich bei einer bestimmten Kühlfunktion ein. Folgenden Temperaturen sind vom System vorgegeben.

Kühlmodus	Gefriertemperatur (°C)	Kühlschranktemperatur (°C)
AUTO	-12	3
Wein	-8	12
Eiscreme	-12	6

4. Falls die Schublade zu lange geöffnet wird oder nicht richtig geschlossen ist, ertönt ein unterbrochener Summton, und auf dem Display weist die blinkende Meldung „dr“ darauf hin, dass die Schublade geschlossen werden muss.

Hinweise zur Lebensmittellagerung:

- Lagern Sie Lebensmittel, die leicht sauer werden, nicht bei niedriger Temperatur, wie z. B. Bananen, geschnittene Südfrüchte. Bei zu starker Kühlung verfärbt sich das Lebensmittel und verliert seine Vitamine.
- Legen Sie keine heißen Lebensmittel in das Fach, denn dadurch steigt die Innentemperatur, sodass die Frische der übrigen Lebensmittel beeinträchtigt wird.
- Öffnen Sie die Schublade nicht zu oft. Wenn die Schublade geöffnet ist, gelangt warme Luft in die Schublade und verursacht den Anstieg der Innentemperatur.
- Bitte verwenden Sie Frischhaltefolie oder -beutel, um die Lebensmittelbehälter zu versiegeln, oder verwenden Sie einen abgedeckten Behälter zur Aufbewahrung von Lebensmitteln, um die Verdunstung der

Lebensmittelfeuchtigkeit zu vermeiden und den Geschmack und die Nährstoffe der Lebensmittel zu erhalten. Dadurch lassen sich auch Gerüche im Inneren der Schublade reduzieren.

- Lebensmittel wie Gemüse und Obst sollten gewaschen und sauber gebürstet werden, bevor sie in die Schublade gelegt werden.
- Flaschen sollten an einander stehen, damit sie beim Öffnen der Schublade nicht umkippen können.
- Stellen Sie die Temperatur entsprechend den Eigenschaften der Lebensmittel ein.

Audiofunktionen

1. Suchen zum Koppeln ein Bluetooth-Gerät namens "T3" auf Ihrem Mobiltelefon. Der Gerätelautsprecher arbeitet jetzt als externer Lautsprecher für Ihr Mobiltelefon.

Hinweis: Wenn die Bluetooth-Verbindung getrennt wird, meldet eine Sprachnachricht "Bluetooth disconnected". Nach 5 Minuten wird die Bluetooth-Funktion zurückgesetzt. Wenn sich das vorherige Mobilgerät wieder in koppelbarer Reichweite befindet, wird die Bluetooth-Verbindung automatisch hergestellt.

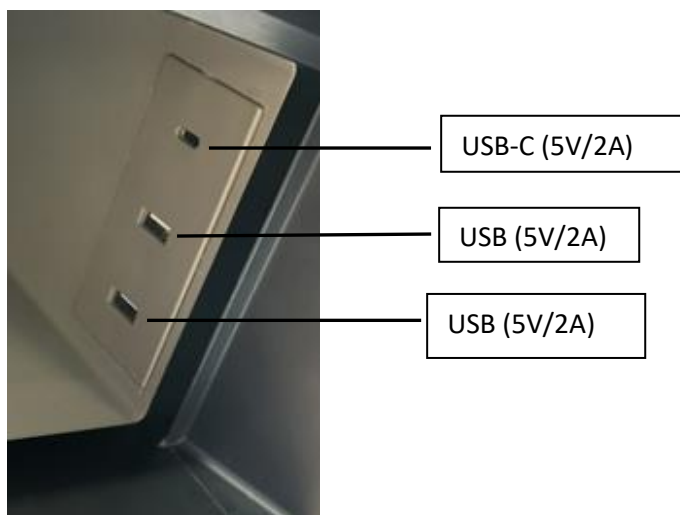
2. Zur Wiedergabe/Pause, zum Weiterschalten der Titel oder zum Regeln der Lautstärke können Sie wahlweise Ihr Mobiltelefon oder das Bedienfeld am Gerät benutzen. Die Funktionen der einzelnen Tasten werden im Abschnitt "BEDIENFELD" beschrieben. Bei Auswahl des letzten Titels erscheint "FF" im LED-Display. Bei Auswahl des nächsten Titels erscheint „FB“ im LED-Display.

3. Über eine USB-Verbindung mit dem unteren USB-Port werden die Daten auch gelesen und wiedergegeben. Um zwischen der Wiedergabe über Bluetooth und USB umzuschalten, betätigen Sie die Bluetooth/USB-Auswahltaste.

4. Es gibt 16 Lautstärkestufen, wobei 8 die Standardlautstärke ist. Mit jedem Druck der Taste Lauter erhöht sich die Lautstärke um eine Stufe. Pro Tastendruck auf Leiser verringert sich die Lautstärke um eine Stufe. Die Lautstärkeeinstellung wird auf dem LED-Display angezeigt, das nach 2 Sekunden zur Anzeige des Quellenmodus zurückkehrt, wenn die Lautstärkeeinstellung beendet ist.

USB-Ladefunktion

Es gibt einen USB C und zwei normale USB-Anschlüsse. Wenn das Gerät eingeschaltet ist, können Sie andere Geräte wie Mobiltelefone, iPads usw. aufladen, indem Sie diese per USB-Kabel mit den USB-Geräteanschlüssen verbinden.



ENERGIESPARTIPPS

- Stellen Sie das Gerät an einem kühlen und gut belüfteten Ort auf. Halten Sie es weit von Wärmequellen entfernt und vermeiden Sie direkte Sonneneinstrahlung.
- Öffnen Sie die Schubladen so kurz und so wenig wie möglich.
- Decken Sie die Lebensmittel zur Lagerung ab oder wickeln Sie sie ein.
- Lassen Sie heiße Speisen und Getränke erst abkühlen, bevor Sie sie in die Fächer legen.
- Überfüllen Sie die Schubladen nicht; lassen Sie die Luft zirkulieren.

- Stellen Sie die Temperatur nicht zu niedrig ein. Je niedriger die eingestellte Temperatur ist, desto höher ist der Stromverbrauch.

REINIGUNG UND PFLEGE

Aus hygienischen Gründen sollte das Gerät regelmäßig (von innen und außen) gereinigt werden.

WARNUNG: Während der Reinigung darf das Gerät nicht an die Steckdose angeschlossen werden. Stromschlaggefahr! Schalten Sie das Gerät vor der Reinigung aus und ziehen Sie den Netzstecker.

- Nachdem das Gerät von der Stromversorgung getrennt wurde, verwenden Sie ein weiches Tuch mit neutralem Reinigungsmittel, um die Oberfläche zu reinigen, und lassen Sie sie anschließend trocknen.
- Spritzen Sie kein Wasser auf das Gerät. Reinigen Sie das Bedienfeld, die USB / USB-C-Buchsen nur mit einem trockenen Tuch. Vermeiden Sie Stromschläge und Kurzschlüsse!
- Verwenden Sie folgende Materialien nicht zur Reinigung: schwach saure oder alkalische Reinigungsmittel, Scheuerpulver, Alkohol, verschiedene saure Öle, steife Bürste, Scheuerschwämme, heißes Wasser usw.
- Das Gerät ist schwer. Schütteln Sie das Gerät beim Reinigen nicht, achten Sie darauf, dass die Tischplatte nach oben zeigt.
- Reinigen Sie die hintere Netzabdeckung nicht zu stark, da sich sonst das Netz verformt und Reinigungsflüssigkeit ins Innere gelangt, was zu einem Kurzschluss führt.

Demontage und Reinigung der Schubladen

- Nehmen Sie den gesamten Inhalt aus den Fächern, bevor Sie die Fächer entnehmen.
- Ziehen Sie die Schubladen bis zum Ende, heben Sie die Außenseite der Schubladen ein Stück nach oben und ziehen Sie dann die Schubladen heraus.
- Sie können die Fächer mit klarem Wasser abwaschen. Trocknen Sie sie mit einem weichen Tuch ab. Verwenden Sie zur Reinigung niemals heißes Wasser, da diese Teile sonst reißen und Personen verletzen können.

Reinigung der Türdichtung

Schützen Sie die Türdichtung vor Schmutz, Abnutzung und Beschädigungen, um zu verhindern, dass die Kühl-/Gefrierwirkung sich nachlässt. Halten Sie die Dichtung sauber.

Reinigen Sie die Türdichtung mit Wasser und trocknen Sie sie gründlich.

Bei Nichtverwendung des Geräts

Wenn Sie das Gerät für längere Zeit nicht benutzen, sollten Sie den Stecker ziehen und die Schubladen reinigen. Lassen Sie die Türen der Schublade offen, um Gerüche zu vermeiden.

Hinweis: Wenn der Stecker herausgezogen wurde, müssen Sie mindestens 5 Minuten warten, um den Stecker wieder einzustecken. Halten Sie das Gerät nicht zu oft an.

TRANSPORT DES GERÄTS

1. Schalten Sie das Gerät aus und ziehen Sie den Stecker heraus.
2. Nehmen Sie alle Lebensmittel heraus.
3. Verwenden Sie Klebeband, um die beweglichen Teile zu fixieren.
4. Schließen Sie die Schublادتür und fixieren Sie sie mit Klebeband.

Vorsicht! Das Gerät darf unter keinen Umständen auf den Kopf gestellt werden. Halten Sie beim Transport einen Winkel von nicht mehr als 45 Grad ein, um Probleme mit dem Kühlsystem zu vermeiden.

STROMAUSFALL UND GEBRAUCH

- Bei einem Stromausfall halten die Schubladen die Innentemperatur auch im Sommer etwa 1-2 Stunden. Legen Sie in dieser Situation keine weiteren Lebensmittel hinein, und versuchen Sie, die Tür der Schublade nicht zu öffnen.
- Wenn Sie den Stromausfall im Voraus kennen, können Sie einen wasserdichten Behälter mit Eis in die Schublade stellen.

Hinweis: Wenn die Temperatur in den Schubladen aufgrund eines Stromausfalls oder aus anderen Gründen ansteigt, wird die Qualität der Lebensmittel beeinträchtigt.

TECHNISCHE DATEN

Nennspannung:	220V-240V~
Bemessungsstrom:	0,3 A
Nennfrequenz:	50 Hz
Leistung des Leuchtmittels:	1,5 W
Klimaklasse:	SN/N/ST/T
Kältemittel:	R600a (26 g)
Stromschlag-Schutzisolation:	I
Dämmstoff:	Cyclopentan
Geräuschpegel	40 dB(A)
Max. Übertragungsleistung	-6 ~ 4 dBm
Frequenzbereich	2402 - 2480MHz

Hinweis: DID steht auf dem Typenschild an der Innenwand des Fachs.

PROBLEMBEHEBUNG

Einige allgemeine Symptome finden Sie in der folgenden Tabelle.

Symptom	Mögliche Ursache	Lösung
Geräusch von fließendem Wasser.	Das ist normal. Es ist das Kältemittel, das im Inneren fließt.	/
Keine Reaktion beim Berühren der Tasten	Das Bedienfeld ist gesperrt.	Bedienfeld prüfen und entsperren.
Vibrationsgeräusch.	Das ist das Betriebsgeräusch des Kompressors.	/
	Das Gerät wurde nicht auf einen stabilen und flachen Untergrund gestellt.	Das Gerät auf einen stabilen und flachen Untergrund abstellen.
USB-Ladefehler	Das Gerät ist nicht eingeschaltet.	Gerät einschalten.
	Das Ladekabel ist gebrochen.	Unbeschädigtes Ladekabel verwenden.
Der Kompressor arbeitet ohne Unterbrechung.	Das ist normal, wenn die Umgebungstemperatur sehr hoch ist.	/
	Die eingestellte Temperatur ist zu niedrig.	Geeignete Temperatur einstellen.
	Die Schubladentür ist nicht vollständig geschlossen.	Sicherstellen, dass die Schubladentür fest geschlossen ist.
	Die in die Schublade eingelegten Lebensmittel sind zu heiß.	Lassen Sie die Speisen auf Raumtemperatur abkühlen, bevor Sie sie in die Schublade geben.
	Wenn sich in der Nähe des Geräts direkte Sonneneinstrahlung oder andere heiße Quellen befinden.	Sicherstellen, dass sich das Gerät an einem kühlen Ort befindet.
	Es wurden zu viele Lebensmittel in die Schublade gelegt.	Machen Sie in der Schublade Ordnung und stellen Sie sicher, dass Platz für den Luftstrom vorhanden ist.

GARANTIE UND KUNDENSERVICE

Vor der Lieferung werden unsere Geräte einer strengen Qualitätskontrolle unterzogen. Wenn, trotz aller Sorgfalt,

während der Produktion oder dem Transport Beschädigungen aufgetreten sind, senden Sie das Gerät zurück an den Händler. Zusätzlich zu den gesetzlichen Rechten hat der Käufer die Option, gemäß den folgenden Bedingungen Garantie zu fordern:

Wir bieten eine 2-Jahres-Garantie für das erworbene Gerät, beginnend am Tag des Verkaufs. Wenn Sie ein defektes Produkt haben, nehmen Sie bitte direkt Kontakt mit dem Verkäufer auf.

Defekte, die aufgrund von unangemessenem Umgang mit dem Gerät entstehen und Störungen aufgrund von Eingriffen und Reparaturen Dritter oder das Montieren von nicht-Originalteilen werden nicht von dieser Garantie abgedeckt. Die Quittung immer aufbewahren, ohne Quittung wird jegliche Garantie ausgeschlossen. Bei Schäden durch Nichteinhalten der Bedienungsanleitung erlischt die Garantie, Wir sind für daraus resultierende Folgeschäden nicht haftbar. Für Materialschäden oder Verletzungen aufgrund falscher Anwendung oder Nichtbefolgen der Sicherheitshinweise sind wir nicht haftbar. Schäden an den Zubehörteilen bedeutet nicht, dass das gesamte Gerät kostenlos ausgetauscht wird. In diesem Fall kontaktieren Sie unseren Kundendienst. Zerbrochenes Glas oder Kunststoffteile sind immer kostenpflichtig. Schäden an Verbrauchsmaterialien oder Verschleißteilen, sowie Reinigung, Wartung oder Austausch der besagten Teile werden durch die Garantie nicht abgedeckt und sind deshalb kostenpflichtig.

Für Ersatzteile gilt ein Garantiezeitraum von 2 Jahren. Bitte wenden Sie sich an unseren Kundenservice, falls Sie Ersatzteile benötigen.

UMWELTGERECHTE ENTSORGUNG



Wiederverwertung – Europäischen Richtlinie 2012/19/EG

Dieses Symbol zeigt an, dass das Produkt nicht zusammen mit Haushaltsabfällen entsorgt werden darf. Um Umwelt- und Gesundheitsschäden durch unkontrollierte Abfallentsorgung zu verhindern, bitte verantwortungsbewusst entsorgen, um die nachhaltige Wiederverwertung von Ressourcen zu

■ fördern. Nutzen Sie zur Rückgabe Ihres Altgeräts bitte die Rückgabe- und Sammelsysteme oder wenden Sie sich an den Händler bei dem Sie dieses Gerät erworben haben. Dieser kann das Gerät umweltschonend entsorgen.

Falls Sie Probleme mit dem Gerät haben oder Ersatzteile bestellen müssen, rufen Sie bitte die Hotline-Telefonnummer auf unserer Website www.emerio.eu/service an.

Emerio Nordic AB
Smedjegatan 6
131 54 Nacka
Sweden

Originalinstruktioner

SÄKERHETSANVISNINGAR

Före användning och för att att erhålla bästa resultat från apparaten, var noga med att läsa igenom alla instruktioner nedan för att undvika skada på person eller egendom. Se till att förvara denna bruksanvisning på en säker plats. Om du ger bort eller överlåter denna apparat till någon, se till att även inkludera denna bruksanvisning.

Vid skador som orsakats av att användaren inte följer instruktionerna i denna bruksanvisning ogiltighetsförklaras garantin. Tillverkaren/importören tar inget ansvar för skador som orsakats av underlåtenhet att följa bruksanvisningen, vid en vårdslös användning eller användning som inte är i enlighet med kraven i denna bruksanvisning.

1. Läs igenom och spara dessa instruktioner. Obs! Bilderna häri är endast för referens.
2. Denna apparat kan användas av barn från 8 år och uppåt och av personer med nedsatt fysisk, mental eller sensorisk förmåga eller mental förmåga och av personer med bristande erfarenhet och kunskap så länge de övervakas eller mottagit instruktioner för säker användning av apparaten och är medvetna om riskerna. Barn får inte leka med apparaten. Rengöring och underhåll får inte utföras av barn utan övervakning.
3. Barn mellan 3 och 8 års ålder är tillåtna att lägga in i och ta ut ur kylskåpet.
4. Om strömkabeln är skadad måste den bytas ut av tillverkaren, dess servicerepresentant eller liknande behörig personal för att undvika fara.
5. Varning! Apparaten skall kopplas ifrån dess strömkälla under rengöring, underhåll eller när delar byts.
6. **WARNING:** Håll ventilationsöppningarna, i apparatens inneslutning eller i den inbyggda strukturen fri från hinder.

7. **WARNING:** Använd inga mekaniska enheter eller andra sätt för att snabba på avfrostningsprocessen, andra än de som rekommenderas av tillverkaren.
8. **WARNING:** Skada inte kylmedelskretsen.
9. **WARNING:** Använd inga elektriska apparater inuti matförvaringsfacket på apparaten, såvida inte de rekommenderas av tillverkaren.
10. Förvara inte explosiva substanser såsom aerosolflaskor med lättantändligt bränsle i denna apparat.
11. Denna apparat är avsedd att användas i hushållet och liknande användningsområden såsom
 - personalkök i butiker, på kontor och andra arbetsmiljöer;
 - bondgårdar och av gäster på hotell, motell och andra bostadsliknande miljöer;
 - bed and breakfast liknande miljöer;
 - catering och liknande icke-försäljningsanvändning.
12. **WARNING:** När apparaten placeras, se till att inte sladden kläms fast eller skadas.
13. **WARNING:** Placera inte kopplingsdosor med flera uttag eller portabla strömförsörjningar bakom apparaten.
14. För att undvika kontaminering av maten, följ följande instruktioner:
 - Öppning av luckan under längre perioder kan öka temperaturen betydligt i facket på apparaten.
 - Rengör regelbundet ytor som kan komma i kontakt med maten och åtkomliga dräneringssystem.
 - Rengör vattenbehållarna om de inte har använts under 48 timmar, skölj vattensystemet som är anslutet till vattentillförsel om vattnet inte har tömts ut under fem dagar. (Endast tillämpligt för vattenbehållare och vatteninloppssystem.)
 - Förvara rått kött och fisk i lämpliga behållare i kylskåpet så att de inte kommer i kontakt med eller droppar på annan mat.
 - Frysack för mat med två stjärnor är lämpliga för förvaring av tidigare fryst mat, förvaring eller bereda glass isbitar.

- Fack med en, två eller tre stjärnor är inte lämpliga för att frysa färsk mat.
 - Om kylskåpet lämnas tomt under långa perioder, stäng av det, avfrosta, rengör, torka och lämna dörren öppen för att förhindra att det bildas mögel i apparaten.
15. Denna kylapparat är inte avsedd att användas som en inbyggd apparat.
16. **Klimatklass:**
- Utökat temperaturområde (SN): “detta kylskåp är avsett att användas med ett omgivande temperaturområde från 10 °C till 32 °C”;
 - Temperaturområde (N): “ detta kylskåp är avsett att användas vid ett omgivande temperaturområde från 16 °C till 32 °C”;
 - Subtropisk (ST): “detta kylskåp är avsett att använda vid ett omgivande temperaturområde från 16 °C till 38 °C”;
 - Tropisk (T): “detta kylskåp är avsett att användas vid ett temperaturområde från 16 °C till 43 °C”.
17. Koppla ifrån apparaten från uttaget när den inte används, innan delar sätts dit eller tas bort, innan rengöring.
18. Se till att kontakten sätt i helt i vägguttaget när apparaten ansluts.
19. Sätt i kontakten i ett eget jordat uttag.
20. Använd aldrig apparaten på platser där brännbart eller lättantändligt material förvaras.
21. Av säkerhetsskäl, se till att reparationer och utbyte av delar utförs av en auktoriserad serviceverkstad.
22. Motorn är permanent smord och kräver ingen olja.
23. Apparaten måste placeras så att kontakten är lättåtkomlig.
24. Följ lokala bestämmelser beträffande avyttring av apparaten då den innehåller lättantändlig blåsande gas.
25. För att rengöra apparaten, använd endast milda rengöringsmedel eller glasrengöringsprodukter. Använd aldrig hårda rengöringsmedel eller lösningsmedel.
26. Lägg inte varm mat eller dryck i lådorna innan den svalnat

till minst rumstemperatur.

27. Stäng lådorna direkt efter att du lagt artiklar inuti så att temperaturen inte stiger.
28. Håll apparaten undan från heta källor eller direkt solljus.
29. För att undvika skador från elektriska stötar hantera inte apparaten med våta händer, när du står på ett vått underlag eller i vatten.
30. Använd inte utomhus eller vid våta förhållanden.
31. Dra aldrig i sladden för att koppla ifrån apparaten från uttaget. Ta tag i kontakten och dra ut ur uttaget.
32. Håll sladden borta från heta ytor.
33. Kontrollera att spänningen för strömförsörjningen i hemmet är samma som den spänning som angivits på märkplattan på produkten.
34. Denna apparat är inte avsedd att drivas med hjälp av en extern timer eller ett separat fjärrkontrollsystem.
35. Det rekommenderas att kontrollera sladden om där finns tecken på förslitning och apparaten skall inte användas om sladden är skadad.



36. **WARNING!** Risk för brand/brandfarligt material
Håll produkten undan från brandkällor under användning, vid service eller avyttring. Det finns brännbart material på baksidan av apparaten.
37. Undvik vätskeinflöde till USB-/Type-C-porten vid kortslutning. Använd inte en våtduk för att torka USB-/Type-C-porten vid rengöring.
38. Enheten är endast lämplig för förvaring av mat. Den kan inte användas för andra ändamål, som t.ex. förvaring av blod eller biologiska produkter.
39. Brandfarligt och explosivt farligt material samt starkt frätande syror, alkalier och andra kemikalier får inte förvaras i lådorna.
40. För att garantera säkerheten rekommenderas att inte

placera kontakten, strömsladden, mikro vågsugnar och andra apparater ovanpå produkten. Använd inte elektriska enheter inuti produkten för att undvika elektromagnetiska störningar eller andra händelser.

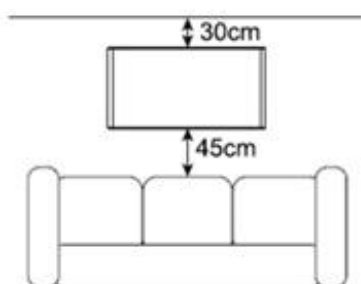
41. Det är strikt förbjudet att demontera, modifiera produkten eller skada kylledningen. Reparationen av produkten måste utföras av professionella reparatörer.
42. Beträffande informationen gällande installationen, hantering, service, byte av lampa (om tillämpligt), rengöring och avyttring av apparaten, se nedanstående avsnitt i bruksanvisningen.

ALLMÄN INTRODUKTION

Detta är en kreativ apparat och möbelprodukt. I kylskåpslådan kan du förvara frukt, drycker och snacks, och i frysacket kan du förvara glass och andra livsmedel som ska hållas fryst. Produkten 4st inbyggda högtalare samt Bluetooth-anslutning med stöd för Bluetooth 5.0, USB- och typ-C-portar, vilket gör det möjligt att spela upp musik och ladda enheter som mobiltelefoner, iPad osv.

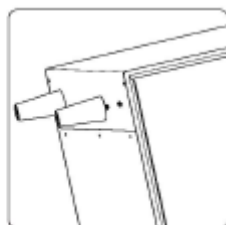
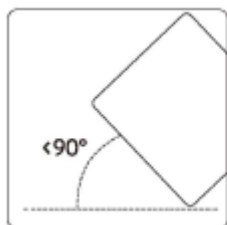
FÖRBEREDELSE INNAN FÖRSTA ANVÄNDNING

1. Ta bort allt förpackningsmaterial inklusive skumbasen och skumtejen för tillbehörfästena. Riv bort den transparenta lamineringen på ytan så att den inte påverkar den normala kylningen och energiförbrukningen för bordet. Skumdynan skall tas bort när bordet används.
2. Placera apparaten på en plats där alla nedanstående villkor uppfylls.
 - 1) Undvik fuktiga och kalla miljöer och direkt solljus.
 - 2) Minst 30 cm utrymme skall lämnas framför tebordet. Bästa avstånd från soffan är cirka 45 cm.



- 3) Apparaten skall placeras på ett plant och fast underlag.

3. För att montera fötterna tar du ut fötterna från den högra fryslådan, lutar apparaten högst 90°, riktar in och drar åt fötterna mot apparatens botten.



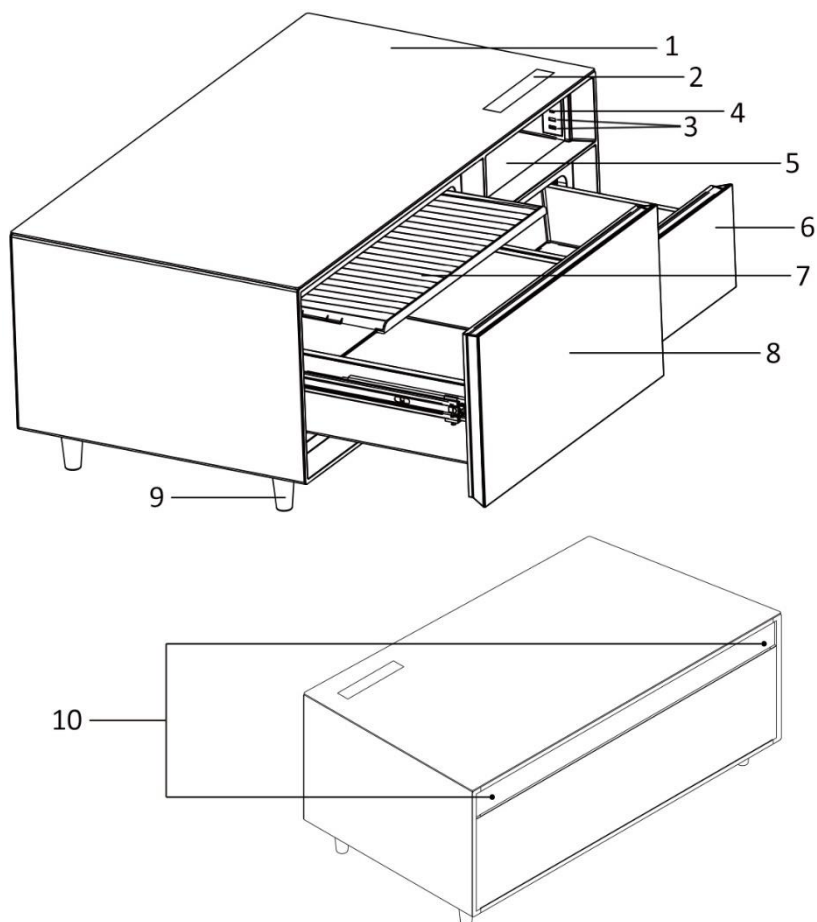
Notera:

- Ställ inte apparaten upp och ner under installationen.
- Om höjden behöver ökas, skall plana, fasta och brandsäkra mellanlägg användas. Om den är instabil, justera tebordets justerbara fötter. Använd aldrig förpackningsskummet för basstödet.

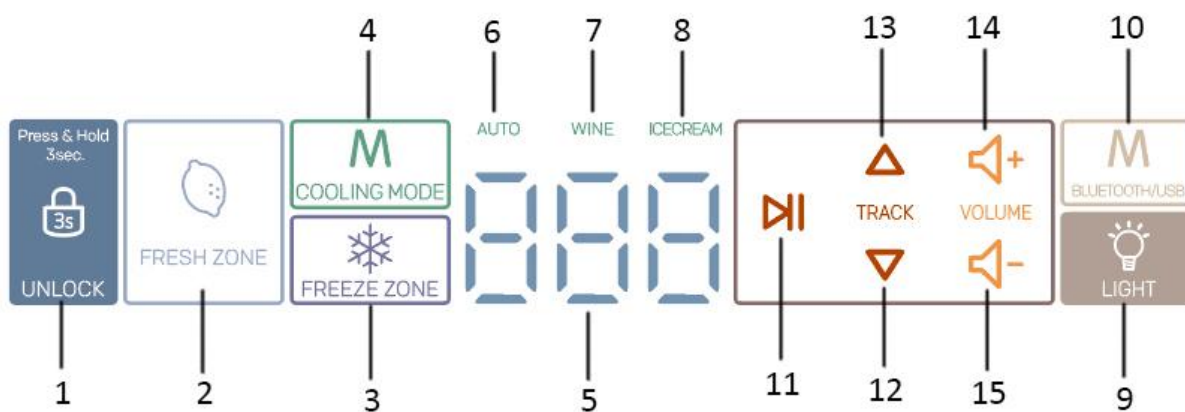
4. Rengör apparaten innan användning. Se sektionen "RENGÖRING OCH UNDERHÅLL".
5. Låt alltid apparaten vila minst två timmar efter att den flyttats eller rengjorts.
6. Efter 2 timmars vila kontrollerar du USB- och typ-C-portarna och ser till att det inte finns någon vattenånga i dessa. Strömkabeln finns längst ner på apparaten. Anslut stickkontakten till ett lämpligt eluttag. Lämna tillräcklig längd på nätsladden och förhindra att någon snubblar på nätsladden.

STRUKTURILLUSTRATION

1. Glasbordsskiva
2. Kontrollpanel
3. USB-port (x2)
(Det övre USB-uttaget stöder endast laddning, det undre USB-uttaget stöder laddning och uppspelning.)
4. USB-C-port
5. Förvaringshylla
6. Höger fryslåda
7. Vattenuppsamlingsbricka kylskåp
8. Vänster kylskåpslåda
9. Fötter
10. Högtalare



KONTROLLPANEL



1. Upplåsningknapp
2. Temperaturinställning för kylskåpslådan
3. Temperaturinställning för fryslådan
4. Knapp för kylningsläge
5. Digital display
6. Indikatorlampa auto-läge
7. Indikatorlampa för vinläge
8. Indikatorlampa för glassläge
9. På/av-knapp för belysning
10. Val av Bluetooth/USB
11. Ljuduppspelning/paus
12. Nästa spår

13. Föregående spår
14. Volym upp
15. Volym ned

Noteringar:

- Vid inställningen av ljudfunktionen visas ingen temperatur utan nuvarande ljudoperation.
- Tryck på upplåsningsknappen i 3 sekunder, kyl- och fryslådorna låses upp. Ljudet kan aktiveras eller stängas oberoende av varandra.
- Tryck på knappen för att tända/släcka ljuset, så tänds eller släcks ljuset i förvaringsrummet.

Användning för kyl- och fryslådor

När du slår på strömmen för första gången är knapparna i icke-låst läge och de kommer att gå in i låst läge efter 10 sekunder utan någon aktivitet.

1. I låst läge trycker du på upplåsningsknappen i 3 sekunder, varefter du kan röra vid andra knappar i denna zon för att använda dem.
2. Den högra lådan är en fryslåda: för att ställa in dess temperatur trycker du på knappen "FREEZE ZONE", och temperaturen växlar från -6 °C till -12 °C vid varje tryck. Den vänstra lådan är en kylskåpslåda: för att ställa in dess temperatur trycker du på knappen "FRESH ZONE", och temperaturen växlar från 1 °C till 12 °C vid varje tryck, men det finns olika temperaturintervall som kan justeras beroende på vilken temperatur du ställer in för fryslådan. (Se referenstabellen nedan) Om ingen aktivitet sker på tre sekunder kommer inställningen att bekräftas och displayen slutar att blinka.

Frystemperaturen som du har ställt in (°C)	Temperaturintervallet för kylskåpet som du kan ställa in (°C)
-12	1, 2, 3, 4, 5, 6, 7, 8
-11	2, 3, 4, 5, 6, 7, 8, 9
-10	3, 4, 5, 6, 7, 8, 9, 10
-9	4, 5, 6, 7, 8, 9, 10, 11
-8	5, 6, 7, 8, 9, 10, 11, 12
-7	6, 7, 8, 9, 10, 11, 12
-6	7, 8, 9, 10, 11, 12

3. Genom att trycka på knappen "COOLING MODE" kan du välja ett av de tre kylningslägena: AUTO-läge, vinläge och glassläge. Motsvarande indikatorlampa lyser när ett visst läge är valt. Den systeminställda temperaturen är följande.

Kylläge	Temperatur i frysen (°C)	Kylskåpets temperatur (°C)
AUTO	-12	3
Vin	-8	12
Glass	-12	6

4. Om lådluckan är öppen alltför länge eller om den inte stängs ordentligt kommer summern att larma i intervaller och displayen kommer att visa ett blinkande "dr" för att påminna dig om att stänga luckan i tid.

Notering för förvaring av mat:

- Förvara inte mat som lätt blir dåliga vid låga temperaturer, såsom bananer, uppskurna tropiska frukter. Överdriven kylning gör att maten missfärgas och dess vitaminer reduceras.
- Placera inte varm mat i lådan eftersom det kommer att öka temperaturen på insidan och påverkar färskheten hos annan mat.
- Öppna inte lådan ofta. När lådan är öppen kommer varm luft in i lådan och gör att temperaturen ökar på insidan.
- Använd plastfolie eller plastpåse för att försegla matbehållare eller använd behållare med lock för att förvara mat för att undvika avdunstning av matens fukt och bibehålla smak och näring i maten. Det kan också reducera lukten inuti lådan.
- Mat såsom grönsaker och frukt skall sköljas och skrubbas rena innan de läggs i lådan.

- Flaskor skall placeras tätt för att förhindra att de faller när lådan öppnas.
- Justera temperaturen enligt matens särdrag.

Ljudhanteringsfunktion

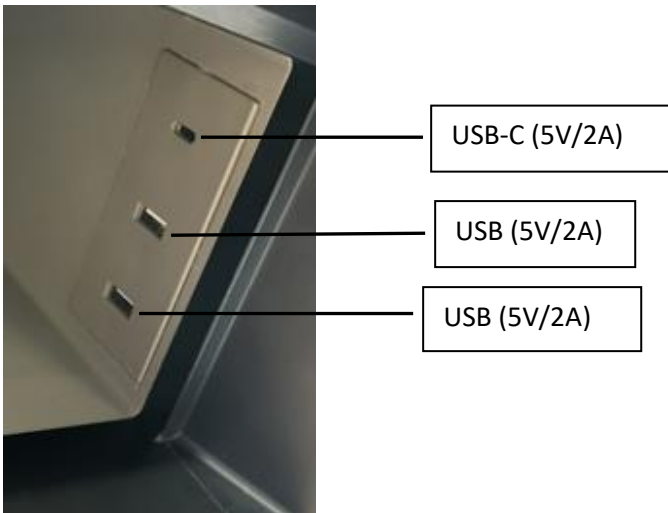
1. Sök och anslut till Bluetooth-enheten som heter "T3" på din mobiltelefon. Nu fungerar apparatens högtalare som en extern högtalare för din mobiltelefon.

Notera: När Bluetooth-dataöverföringen kopplas bort meddelar rösten "Bluetooth disconnected" (Bluetooth bortkopplad). Efter 5 minuter återställs Bluetooth. När den tidigare mobila enheten åter befinner sig i det anslutningsbara området ansluts Bluetooth automatiskt.

2. Du kan antingen använda din mobiltelefon eller apparatens kontrollpanel för att spela upp/pausa låten, byta låt eller justera volymen. Se avsnittet "CONTROL PANEL" för att hitta funktionen för varje knapp. När du väljer det senast spelade spåret visas "FF" på lysdioden. När du väljer nästa spår visas "FB" på lysdioden.
3. Genom en USB-anslutning till det nedre USB-uttaget kommer data också att läsas och spelas upp. Om du vill växla mellan Bluetooth- och USB-uppspelning rör du vid knappen Bluetooth/USB för att göra valet.
4. Det finns 16 volymnivåer och standardvolymen är nr 8. Varje gång du trycker på knappen för högre volym ökar volymen med en nivå och varje gång du trycker på knappen för lägre volym minskar volymen med en nivå. Volyminställningen kommer att visas på LED-displayen, vilken kommer att återgå till källvisningsläge efter två sekunder när volyminställningen är klar.

USB-laddningsfunktion

Det finns en typ-C-port och två USB-portar. När apparaten är påslagen kan du ladda enheter som mobiltelefoner, iPad osv. genom att ansluta enheterna till uttagen med en kabel.



TIPS FÖR ENERGIBESPARING

- Placera apparaten på en sval och väl ventilerad plats. Håll den undan från heta källor och undvik direkt solljus.
- Minimera tiden och frekvensen som luckan öppnas.
- Täck över eller linda in maten som skall förvaras
- Lägg inte varm mat eller dryck i lådorna innan den har svalnat.
- Överfyll inte lådorna så att luften inte kan cirkulera.
- Ställ inte in temperaturen lägre än nödvändigt. Ju lägre inställd temperatur desto högre energiförbrukning.

RENGÖRING OCH UNDERHÅLL

Av hygieniska skäl skall apparaten (inklusive de yttre och inre tillbehören) rengöras regelbundet.

WARNING: Apparaten får inte vara ansluten till elnätet under rengöring. Risk för elektrisk stöt! Innan rengöring,

stäng av apparaten och dra ur kontakten från nätuttaget.

- När apparaten är bortkopplad från elnätet, använd en mjuk trasa med ett neutralt rengöringsmedel för att rengöra ytorna och låt den sedan torka.
- Spreja inte vatten på apparaten. Rengör enbart kontrollpanelen och USB-/typ-C-uttagen med en torr trasa. Undvik elektriska stötar och kortslutning.
- Använd inte följande material för rengöring: svaga sura eller alkaliska rengöringsmedel, slipande pulver, alkohol, olika sura oljor, stela borstar, slipande svampborstar, hett vatten etc.
- Apparaten är tung. Vid rengöring, skaka inte apparaten, se till att bordsskivan är riktad uppåt.
- Rengör inte nätet på baksidan alltför hårt då nätet kan deformeras och rengöringsvätska kan komma in och orsaka kortslutning.

Demontering och rengöring av lådorna

- Ta ut allt innehåll i lådan innan du tar bort lådorna.
- Dra lådorna till stopp och lyft utsidan på lådorna uppåt en bit och dra sedan ut lådorna.
- Du kan tvätta lådorna med rent vatten. Torka dem med en mjuk trasa. Använd aldrig hett vatten för rengöring då den kan spricka och skada personer.

Rengöring av dörrtätning

Dörrtätningen blir lätt smutsig, försliten och skadad, vilket gör att kyl- och fryseffekten försämras, så håll den ren.

Använd vatten för att rengöra luckornas packningar och torka noga.

Sluta använda apparaten

Om du inte använder apparaten under lång tid är det bäst att koppla ifrån apparaten och rengöra lådorna. Lämna lådornas luckor öppna för att undvika lukt.

Notera: Om kontakten har dragits ut behöver du vänta fem minuter innan du ansluter den igen. Stoppa inte apparaten alltför ofta.

Transportera apparaten

1. Stäng av apparaten och dra ur kontakten.
2. Ta ut allt livsmedel.
3. Använd tejp för att fästa de rörliga delarna.
4. Stäng lådans lucka och fäst den med tejp.

Försiktighet! Placera på inga villkor apparaten upp och ned. Under transport, se till att vinkeln inte överstiger 45 grader för att undvika problem med kylsystemet.

STRÖMAVBROTT OCH HANTERING

- Om det är strömavbrott kommer lådorna att bibehålla innertemperaturen under 1 - 2 timmar, även under sommaren. I denna situation, lägg inte i mer mat och försök inte att öppna lådornas luckor.
- Om du vet om strömavbrottet i förväg kan du placera vattentäta behållare med is i lådan.

Notera: Stigande temperaturer i lådorna under strömavbrott eller andra orsaker kommer att påverka matens kvalitet.

TEKNISKA SPECIFIKATIONER

Märkspänning:	220V-240V~
Märkström:	0,3 A
Märkfrekvens:	50 z
Lampström:	1,5 W
Klimatklass:	SN/N/ST/T
Kylmedel:	R600a (26 g)
Skydd mot elektrisk stöt:	I
Isolerande blåsande gas:	Cyklopentan
Bullernivå	40 dB(A)

Maximal sändningseffekt	-6 ~ 4 dBm
Frekvensområde	2402 – 2480 MHz

Notera: DID framgår av produktklassificeringsetiketten som klistras på sidan av lådan.

FELSÖKNING

För vissa allmänna symptom, se tabellen nedan.

Symptom	Möjlig orsak	Lösning
Det finns ett vattenflytande ljud.	Det är normalt. Det är kylmedlet som cirkulerar på insidan.	/
Inget svar vid pekning på knapparna.	Kontrollpanelen är låst.	Kontrollera och lås upp kontrollpanelen.
Det finns ett vibrerande ljud.	Det kommer från kompressorn som arbetar.	/
	Apparaten har inte placerats på en stabil och plan yta.	Placera om apparaten på en stabil och plan yta.
USB laddningsfel	Apparaten är inte påslagen.	Slå på apparaten:
	Laddningskabeln är trasig.	Använd en hel USB-kabel.
Kompressorns arbetar kontinuerligt.	Det är normalt om den omgivande temperaturen är mycket hög.	/
	Den inställda temperaturen är alltför låg.	Ställ in en högre temperatur.
	Lådans lucka är inte helt stängd.	Se till att lådans lucka är helt stängd.
	Maten som lagts i lådan är alltför varm.	Låt matens svalna till rumstemperatur innan den läggs i lådan.
	Om det finns direkt solljus eller andra heta källor nära apparaten.	Se till att maskinen är placerad på en sval plats.
	Alltför mycket mat har placerats i lådan.	Arrangera lådan och se till att det finns utrymme för luftflöde.

GARANTI OCH KUNDTJÄNST

Innan leverans genomgår våra apparater en sträng kvalitetskontroll. Om trots detta någon skada skulle uppstå vid produktionen eller vid transporten, ber vi dig att ta med apparaten tillbaka till inköpsstället. Förutom de i lag fastställda garantianspråken har köparen möjlighet att göra gällande följande anspråk på garanti:

För den köpta apparaten ges 2 års garanti, med början på inköpsdagen. Om du har en defekt produkt, kan du vända dig direkt till inköpsstället.

Brister som uppstår genom felaktig hantering av apparaten och fel som uppstår genom ingrepp och reparationer av tredje man eller montering av främmande delar, omfattas ej av vår garanti. Behåll alltid ditt kvitto då det är din garanti vid eventuell reklamation. Skador som uppstår p.g.a. att instruktionsmanualen inte följs ogiltigförklarar garantin och om detta leder till påföljande skador så kan inte vi hållas ansvariga. Vi kan inte hållas ansvariga för materiella skador eller personskador som orsakas av felaktig användning eller om inte säkerhetsföreskrifterna följs. Skador på tillbehören innebär inte per automatik ersättning av hela apparaten. I sådana fall ska du kontakta vår kundservice. Trasigt glas och trasiga plastdelar innebär alltid en kostnad. Defekter på förbrukningsartiklar eller slitdelar och även skador orsakade av rengöring, underhåll eller byte av tidigare nämnda delar täcks inte av garantin och ska således betalas av ägaren.

Garantiperioden för reservdelar är 2 år. Om du behöver utbytesdelar, kontakta vår kundtjänst.

MILJÖVÄNLIG KASSERING



Återvinning - EU-direktiv 2012/19/EU

Denna markering indikerar att produkten inte får kastas tillsammans med övrigt hushållsavfall. För att förhindra eventuell miljöförstöring och eventuella hälsorisker på grund av icke kontrollerad avyttring ska den avyttras med ansvar för att materialet ska kunna återanvändas på ett hållbart sätt.

Returnera den använda enheten enligt retur- och insamlingssystem eller kontakta återförsäljaren som sålt produkten. Återförsäljaren kan ombesörja att produkten återvinns på ett miljömässigt säkert sätt.

Om du har några problem med apparaten eller behöver beställa reservdelar, se telefonnumret på vår webbplats www.emerio.eu/service.

Emerio Nordic AB
Smedjegatan 6
131 54 Nacka
Sweden

Originele instructies

VEILIGHEIDSINFORMATIE

Voor gebruik dient u alle onderstaande instructies te lezen om letsel en schade te voorkomen en om de beste resultaten met het apparaat te bereiken. Bewaar deze handleiding op een veilige plek. Mocht u dit apparaat aan iemand anders overhandigen, dient u ook de gebruiksaanwijzing te overhandigen.

In geval van schade die wordt veroorzaakt doordat de gebruiker de instructies in deze gebruiksaanwijzing niet in acht heeft genomen, komt de garantie te vervallen. De fabrikant/importeur is niet aansprakelijk voor schade die wordt veroorzaakt door het niet in acht nemen van de gebruiksaanwijzing, door nalatig gebruik of gebruik dat niet in overeenstemming is met de bepalingen van deze gebruiksaanwijzing.

1. Lees en bewaar deze gebruiksaanwijzing. Opgelet: de afbeeldingen in de gebruiksaanwijzing zijn louter indicatief.
2. Dit toestel mag gebruikt worden door kinderen vanaf de leeftijd van 8 jaar en door personen met verminderde fysieke, zintuiglijke of mentale capaciteiten of met gebrek aan ervaring of kennis, indien zij onder het toezicht staan of gebruiksinstructies voor het veilig gebruik van dit toestel gekregen hebben en de mogelijke gevaren begrijpen. Kinderen mogen niet met dit toestel spelen. Kinderen die niet onder toezicht staan, mogen dit apparaat niet reinigen of onderhouden.
3. Kinderen tussen 3 en 8 jaar oud mogen koelapparaten vullen en legen.
4. Als het stroomsnoer beschadigd is, dan moet het vervangen worden door de fabrikant, diens dealer of een gekwalificeerde technicus om risico's te voorkomen.

5. Waarschuwing! Ontkoppel het apparaat van de voeding voordat het wordt gereinigd of onderhouden en voor het vervangen van onderdelen.
6. **WAARSCHUWING:** Houd ventilatieopeningen in de behuizing van het apparaat of in de ingebouwde structuur vrij van belemmeringen.
7. **WAARSCHUWING:** Gebruik geen mechanische apparaten of andere middelen om het ontdooiproces te versnellen, dan deze aanbevolen door de fabrikant.
8. **WAARSCHUWING:** Beschadig het koelcircuit niet.
9. **WAARSCHUWING:** Gebruik geen elektrische apparaten in de opbergvakken van het apparaat tenzij ze van het type zijn dat wordt aanbevolen door de fabrikant.
10. Berg geen explosieve stoffen, zoals spuitbussen met een brandbaar drijfgas, in dit apparaat op.
11. Dit apparaat is bestemd voor huishoudelijk gebruik of gelijksoortige toepassingen, waaronder
 - kantines voor personeel in winkels, kantoren en een andere werkomgevingen;
 - boerderijen en door gasten in hotels, motels en andere types van huisvesting;
 - bed & breakfasts en soortgelijke omgevingen;
 - catering en soortgelijke groothandeltoepassingen.
12. **WAARSCHUWING:** Tijdens het plaatsen van het apparaat, zorg dat het snoer niet bekneld raakt of beschadigd wordt.
13. **WAARSCHUWING:** Plaats geen verschillende verlengsnoeren of stekkerdozen achter het apparaat.
14. Om voedselverontreiniging te vermijden, houd rekening met de volgende instructies:
 - De deur te lang open laten kan leiden tot een aanzienlijke toename van de temperatuur binnenin de vakken van het apparaat.
 - Maak de oppervlakken die met voedsel in aanraking komen en de toegankelijke afvoersystemen regelmatig schoon.

- Maak de waterreservoirs schoon als ze langer dan 48 u niet werden gebruikt. Spoel het watersysteem dat op de watertoevoer is aangesloten als er gedurende 5 dagen geen water is doorgestroomd. (Alleen van toepassing voor waterdispenser en watertoevoersysteem)
- Bewaar rauw vlees en vis in gepaste houders in de koelkast zodat ze niet met ander voedsel in aanraking komen of erop druppelen.
- Vriesvakken met twee sterren zijn geschikt voor het bewaren van reeds bevroren voedsel, het bewaren of maken van roomijs en het maken van ijsblokjes.
- Vriesvakken met één, twee en drie sterren zijn niet geschikt voor het invriezen van vers voedsel.
- Als het koelapparaat langere tijd leeg zal blijven, schakel het uit, ontdooi, reinig en veeg het apparaat droog en laat de deur open om vorming van schimmel in het apparaat te voorkomen.

15. Dit koelapparaat is niet bestemd om als inbouwtoestel te worden gebruikt.

16. **Klimaatklasse:**

- Subnormaal (SN): 'dit koelapparaat is bestemd om gebruikt te worden bij een omgevingstemperatuur tussen 10°C en 32°C';
- Normaal (N): 'dit koelapparaat is bestemd om gebruikt te worden bij een omgevingstemperatuur tussen 16°C en 32°C';
- Subtropisch (ST): 'dit koelapparaat is bestemd om gebruikt te worden bij een omgevingstemperatuur tussen 16°C en 38°C';
- Tropisch (T): 'dit koelapparaat is bestemd om gebruikt te worden bij een omgevingstemperatuur tussen 16°C en 43°C'.

17. Haal de stekker uit het stopcontact wanneer het apparaat niet wordt gebruikt, alvorens onderdelen te plaatsen of af te halen en voor reiniging.

18. Zorg dat de stekker volledig in het stopcontact zit wanneer u uw apparaat op de voeding aansluit.
19. Steek de stekker in een enkel geaard stopcontact.
20. Gebruik het apparaat nooit in een ruimte waar brandbare en ontvlambare materialen zijn opgeslagen.
21. Uit veiligheidsoverwegingen, laat het repareren van het apparaat of het vervangen van onderdelen alleen door een erkend servicecentrum uitvoeren.
22. De motor is permanent gesmeerd en heeft geen olie nodig.
23. Zorg dat de stekker van het apparaat altijd eenvoudig bereikbaar is.
24. Gooi het apparaat, omwille van het brandbare blaasgas, weg volgens de lokale voorschriften.
25. Reinig het apparaat alleen met een mild schoonmaakmiddel of een glasreiniger. Gebruik nooit agressieve schoonmaakmiddelen of oplosmiddelen.
26. Wacht totdat warme levensmiddelen of drank tot kamertemperatuur zijn afgekoeld voordat u ze in de laden plaatst.
27. Sluit de laden onmiddellijk na het inbrengen van items zodat de binnentemperatuur niet drastisch stijgt.
28. Houd het apparaat uit de buurt van warmtebronnen of direct zonlicht.
29. Om letsel door elektrische schokken te vermijden gebruik het apparaat niet met natte handen of wanneer u op een natte vloer of in water staat.
30. Gebruik het apparaat niet buitenshuis of in natte omstandigheden.
31. Trek nooit aan het snoer om het apparaat van het stroomnet te ontkoppelen, maar gebruik altijd de stekker.
32. Houd het snoer uit de buurt van warme oppervlakken.
33. Controleer of de spanning vermeld op het typeplaatje van dit product overeenstemt met de spanning in uw woning.
34. Het apparaat is niet bestemd om gebruikt te worden met een externe timer of een apart afstandsbedieningssysteem.
35. Het is tevens aanbevolen om het snoer regelmatig te

controleren op slijtage. Gebruik het apparaat niet als het snoer beschadigd is.



36. **WAARSCHUWING!** Brandgevaar / ontvlambare materialen

Tijdens het gebruiken, onderhouden en afdanken van het apparaat, houd het product ver uit de buurt van een vuur. Er bevinden zich ontvlambare materialen aan de achterkant van het apparaat.

37. Zorg dat er geen vloeistof in de USB/Type-C-poort stroomt om het risico op kortsluiting te vermijden. Veeg de USB/Type-C-poort tijdens het reinigen niet schoon met een natte doek.

38. Het apparaat is alleen bestemd voor het bewaren van voedsel. Gebruik het apparaat niet voor andere doeleinden, zoals het bewaren van bloed of biologische producten.

39. Bewaar geen brandbare of explosief gevaarlijke goederen, sterke corrosieve zuren, alkaliën en andere chemicaliën in de laden.

40. Voor een veilige werking van het apparaat wordt het aanbevolen om geen aansluiting, voedingsbron, magnetron of ander apparaat op het oppervlak van het apparaat te plaatsen. Gebruik geen elektrisch apparaat in het product om elektromagnetische storing of een ander ongeval te vermijden.

41. Het is niet toegestaan om het product uit elkaar te halen of aan te passen om schade aan het koelcircuit te vermijden. Het product mag alleen door een vakman worden gerepareerd.

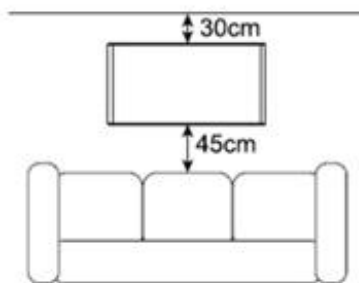
42. Voor informatie over het installeren, hanteren, gebruiken, onderhouden, vervangen van de lamp (wanneer van toepassing), reinigen en afdanken van het apparaat, raadpleeg de onderstaande paragraaf van de handleiding.

ALGEMENE INLEIDING

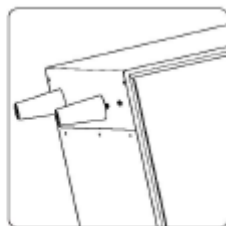
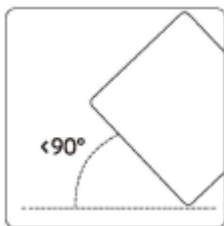
Dit is een creatief apparaat en meubelstuk. De koelkastlade kan fruit, drank en snacks bewaren; de vrieslade kan ijs en andere levensmiddelen bewaren die moeten worden ingevroren. Het product heeft een Bluetooth-verbinding die Bluetooth 5.0-, USB- en Type-C-poorten ondersteunt, waarmee muziek kan worden afgespeeld en apparaten, zoals mobiele telefoons, iPads, enz. kunnen worden opgeladen.

VOORBEREIDING VOOR HET EERSTE GEBRUIK

1. Verwijder alle verpakkingsmateriaal, waaronder schuimbasis en de schuimtape die de accessoires vasthouden. Maak de doorzichtige beschermfolie op de buitenkant los voor een normale koeling en stroomverbruik van de theetafel. Verwijder het schuimkussen voordat de theetafel wordt gebruikt.
2. Plaats het apparaat in een locatie die aan alle onderstaand vermelde voorwaarden voldoet.
 - 1) Plaats het apparaat niet in een vochtige en koude ruimte en stel het niet bloot aan direct zonlicht.
 - 2) Houd een vrije ruimte van minstens 30 cm aan de voorkant van de theetafel. De beste afstand tot een bank is ongeveer 45 cm.



- 3) Plaats het apparaat op een vlakke en stevige ondergrond.
3. Om de voetjes te installeren, haal de voetjes uit de rechter vrieslade; kantel het apparaat niet meer dan 90°; breng de voetjes op één lijn en draai ze vast aan de onderkant van het apparaat.

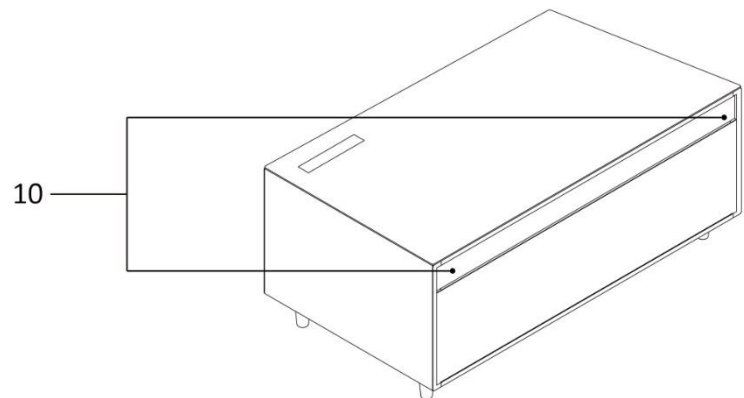
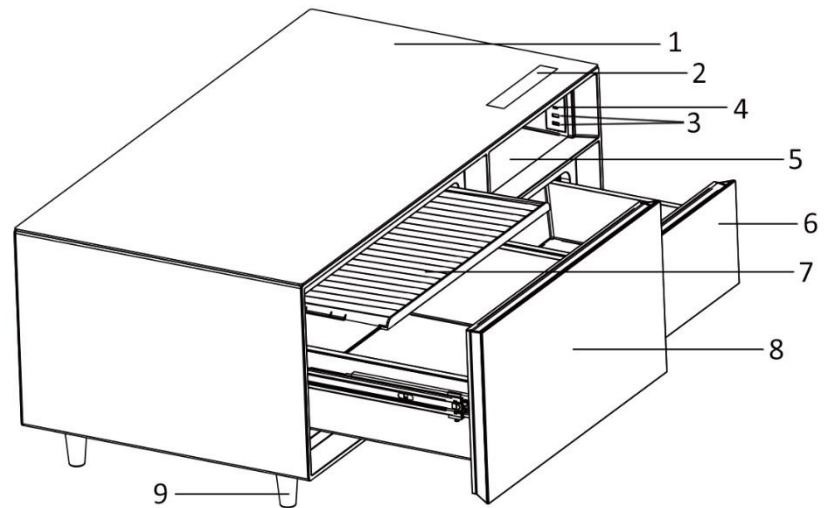


Opmerking:

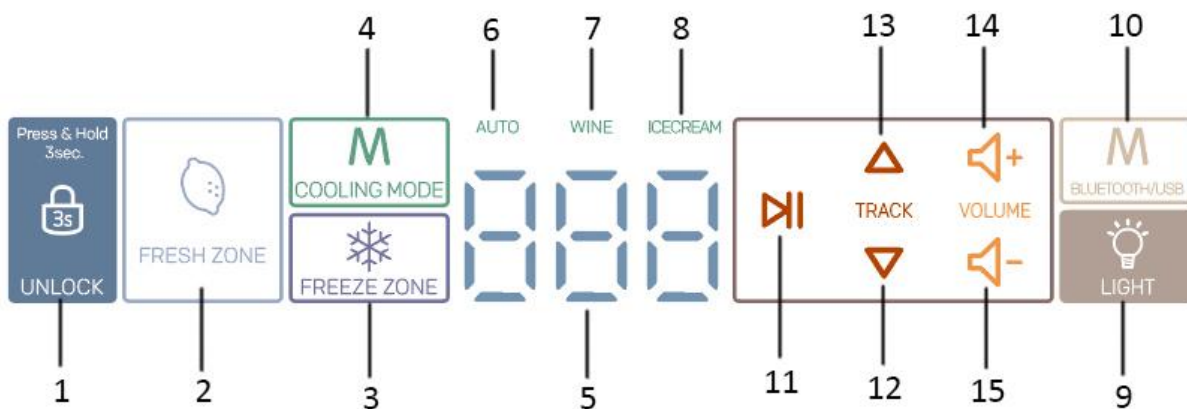
- Zet het apparaat niet ondersteboven tijdens de installatie.
 - Als u de tafel op een verhoogd oppervlak wilt plaatsen, gebruik een vlakke, stevige en onbrandbare pad. Als de tafel niet volledig stabiel staat, pas de stelvoetjes van de theetafel aan. Gebruik de verpakkingsschuim niet als ondersteuning van de tafel.
4. Reinig het apparaat voor gebruik. Raadpleeg de sectie 'REINIGING EN ONDERHOUD'.
 5. Laat het apparaat altijd minstens 2 uur met rust nadat het naar een andere ruimte is gebracht of na reiniging.
 6. Wacht 2 uur, controleer vervolgens de USB- en Type-C-poorten en zorg ervoor dat er geen waterdamp is. Het netsnoer bevindt zich aan de onderkant van het apparaat. Steek de stekker juist in een gepast stopcontact. Zorg dat het snoer voldoende lang is en vermijd dat personen over het snoer kunnen struikelen.

BESCHRIJVING VAN DE ONDERDELEN

1. Glazen tafelblad
2. Bedieningspaneel
3. USB-poort (x2)
(De bovenste USB-poort ondersteunt alleen opladen; de onderste USB-poort ondersteunt opladen en afspelen.)
4. Type-C-poort
5. Opslagruimte
6. Rechter vrieslade
7. Vochttopvangschaal
8. Linker koelkastlade
9. Voetjes
10. Audio



BEDIENINGSPANEEL



1. Ontgrendelingsknop
2. Temperatuurinstelling voor koelkastlade
3. Temperatuurinstelling voor vrieslade
4. Knop Koelmodus
5. Digitaal scherm
6. Automatische modus-controlelampje
7. Wijnmodus-controlelampje
8. IJsmodus-controlelampje
9. Licht aan/uit knop
10. Bluetooth/USB-selectie
11. Audio afspelen/pauze
12. Volgende track

13. Vorige track
14. Volume omhoog
15. Volume omlaag

Opmerkingen:

- Tijdens het instellen van de audiofunctie, wordt de huidige audiowerking in plaats van de temperatuur weergegeven.
- Druk 3 seconden op de ontgrendelingsknop, en de koel- en ijsladen worden ontgrendeld. Het audiogedeelte kan apart worden in- of uitgeschakeld.
- Raak de licht aan/uit knop aan, het licht in de opslagruimte gaat aan of uit.

Bediening van de koel- en vrieslade

Nadat het apparaat voor de eerste keer wordt ingeschakeld, zijn de knoppen ontgrendeld en worden ze na een inactiviteit van 10 seconden automatisch vergrendeld.

1. Wanneer vergrendeld, druk 3 seconden op de ontgrendelingsknop en de andere knoppen voor dit gedeelte zijn opnieuw actief.
2. De rechter lade is een vrieslade; om de temperatuur in te stellen, raak de knop "FREEZE ZONE" aan en de temperatuur zal bij elke aanraking van -6 °C tot -12 °C gaan. De linker lade is een koelkastlade; om de temperatuur in te stellen, raak de knop "FRESH ZONE" aan en de temperatuur zal bij elke aanraking van 1°C tot 12 °C gaan. Er zijn echter verschillende temperatuurbereiken afhankelijk van de temperatuur van de vriezerlade die u instelt. (Zie de onderstaande referentietabel) Na een inactiviteit van meer dan 3 seconden, wordt de instelling bevestigd en stopt het display met knipperen.

De door u ingestelde vriestemperatuur (°C)	Het temperatuurbereik van de koelkast dat u kunt instellen (°C)
-12	1, 2, 3, 4, 5, 6, 7, 8
-11	2, 3, 4, 5, 6, 7, 8, 9
-10	3, 4, 5, 6, 7, 8, 9, 10
-9	4, 5, 6, 7, 8, 9, 10, 11
-8	5, 6, 7, 8, 9, 10, 11, 12
-7	6, 7, 8, 9, 10, 11, 12
-6	7, 8, 9, 10, 11, 12

3. Raak de knop "COOLING MODE" aan om een van de drie koelmodi te selecteren: AUTO-modus, wijnmodus en ijsmodus. Het bijbehorende controlelampje brandt wanneer een bepaalde modus is geselecteerd. De door het systeem ingestelde temperatuur is als volgt.

Koelmodus	Diepvriestemperatuur (°C)	Koelkasttemperatuur (°C)
AUTO	-12	3
Wijn	-8	12
Softijs	-12	6

4. Als de lade te lang wordt open gehouden of niet goed dicht is, zal de zoemer met tussenpozen afgaan en geeft het scherm al knipperend "dr" weer om u eraan te herinneren de lade goed en tijdig te sluiten.

Opmerkingen over het bewaren van voedsel:

- Bewaar geen voedsel die op een lage temperatuur snel bedorven kunnen raken, zoals bananen, gesneden tropisch fruit. Overmatig koelen leidt tot het verkleuren van voedsel en afname van vitamines.
- Doe geen warm voedsel in de lade. De temperatuur binnenin de lade zal toenemen en een negatieve impact op de versheid van ander voedsel hebben.
- Open de lade niet te vaak. Wanneer de lade open is, gaat er warme lucht de lade binnen waardoor de interne temperatuur toeneemt.
- Stop het voedsel in plastic folie of zakje, of in een bakje met een deksel om verdamping van vocht te

vermijden en de smaak en voedingsstoffen te behouden. De geurvorming binnenin de lade wordt tevens beperkt.

- Was en schrob voedsel, zoals groente en fruit, schoon voordat ze in de lade worden gestopt.
- Zorg dat de flessen stevig op hun plaats zitten zodat ze tijdens het openen van de lade niet kantelen.
- Stel een temperatuur in afhankelijk van de eigenschappen van het te bewaren voedsel.

Audiobediening

1. Zoek en verbind het Bluetooth-apparaat met de naam "T3" met uw mobiele telefoon. De luidspreker van het apparaat werkt nu als een externe luidspreker voor uw mobiele telefoon.

Opmerking: Wanneer de Bluetooth-gegevensoverdracht is ontkoppeld, hoort u de gesproken melding "Bluetooth disconnected" ("Bluetooth ontkoppeld"). Bluetooth is na 5 minuten gereset. Wanneer een reeds gekoppeld mobiel apparaat zich opnieuw binnen het bereik bevindt, wordt de Bluetooth-verbinding opnieuw automatisch gemaakt.

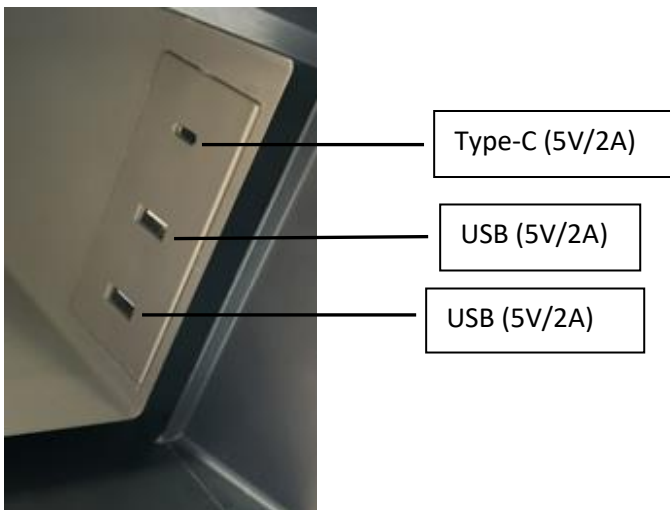
2. U kunt uw mobiele telefoon of het bedieningspaneel van het apparaat gebruiken om de track af te spelen/pauzeren, een andere track te kiezen of het volume te regelen. Zie de sectie "BEDIENINGSPANEEL" om de functie van elke knop te vinden. Wanneer u de vorige track selecteert, wordt "FF" weergegeven op de led. Wanneer u de volgende track selecteert, wordt "FB" weergegeven op de led.

3. Maak een USB-verbinding met de onderste USB-poort en de gegevens worden tevens gelezen en afgespeeld. Om tussen afspelen via Bluetooth of USB te kiezen, raak de Bluetooth/USB-selectieknop aan om uw keuze te maken.

4. Er zijn 16 volumenniveaus. Het standaard volume is 8. Telkens op de volume omhoog knop wordt gedrukt, neemt het volume met één niveau toe. Telkens op de volume omlaag wordt gedrukt, neemt het volume met één niveau af. Het ingestelde volume wordt op het led-display weergegeven. Het led-display geeft 2 seconden na het instellen van het volume opnieuw de bronmodus weer.

USB-oplaadfunctie

Er zijn één type-C-poort en twee USB-poorten. Wanneer het apparaat is ingeschakeld, kunt u apparaten opladen, zoals een mobiele telefoon, iPad, etc. door uw apparaten met behulp van een kabel op de poorten aan te sluiten.



TIPS VOOR ENERGIEBESPARING

- Gebruik het apparaat in een koele en goed geventileerde ruimte. Houd het product uit de buurt van een warmtebron en stel het niet bloot aan direct zonlicht.
- Houd de deur zo kort en weinig mogelijk open.
- Bedek of verpak het voedsel voor opslag.
- Wacht totdat warme levensmiddelen of drank zijn afgekoeld voordat u ze in de laden plaatst.

- Vul de laden nooit te veel zodat de lucht vrij rond kan circuleren.
- Stel de temperatuur niet te laag in. Hoe lager de ingestelde temperatuur, hoe hoger het stroomverbruik.

REINIGING EN ONDERHOUD

Om hygiënische redenen moet het apparaat (waaronder de buitenkant en de accessoires binnenin) regelmatig worden gereinigd.

WAARSCHUWING: Zorg dat de stekker tijdens het reinigen niet in het stopcontact zit. Gevaar op elektrische schokken! Alvorens het apparaat schoon te maken, schakel het uit en haal de stekker uit het stopcontact.

- Nadat de stekker uit het stopcontact is gehaald, maak de buitenkant schoon met een zachte doek en een neutraal reinigingsmiddel, en veeg het vervolgens droog.
- Spuit geen water op het apparaat. Reinig het bedieningspaneel, de USB-/Type-C-aansluitingen alleen met een droge doek. Er is risico op elektrische schokken en kortsluiting!
- Maak het apparaat niet schoon met de volgende reinigingsmiddelen: zwak zure of alkalische reinigingsmiddelen, schuurpoeder, alcohol, verschillende zure oliën, harde borstel, schrobborstel, heet water, etc.
- Het apparaat is zwaar. Schud het apparaat niet tijdens het reinigen. Zorg dat het tafelblad naar boven is gericht.
- Maak het achterrooster niet te hard schoon. Als het rooster vervormd raakt en er dringt reinigingsmiddel het apparaat binnen, kan dit kortsluiting veroorzaken.

De laden verwijderen en reinigen

- Haal alle inhoud uit de lade voordat u de laden verwijdert.
- Trek de laden volledig uit, til de buitenkant van de laden iets omhoog en trek de laden vervolgens uit het product.
- U kunt de laden wassen met schoon water. Veeg ze vervolgens droog met een zachte doek. Reinig ze nooit met heet water om het barsten van onderdelen of letsel aan personen te vermijden.

Deurpakking schoonmaken

De deurpakking kan makkelijk vuil worden, verslijten of beschadigd raken, dit geeft een negatieve impact op het koelen/vriezen. Houd de pakking aldus schoon.

Maak de deurafdichting schoon met water en veeg vervolgens grondig droog.

Het apparaat niet langer gebruiken

Als u denkt het apparaat langere tijd niet te gebruiken, haal de stekker uit het stopcontact en maak de laden schoon. Laat de deuren van de laden open om geurvorming te vermijden.

Opmerking: Als de stekker uit het stopcontact is gehaald, wacht minstens 5 minuten om de stekker opnieuw op de voeding aan te sluiten. Schakel het apparaat niet te vaak uit.

HET APPARAAT TRANSPORTEREN

1. Schakel het apparaat uit en trek de stekker uit het stopcontact.
2. Verwijder al het voedsel.
3. Gebruik tape om de beweegbare delen vast te zetten.
4. Sluit de ladedeur en zet het vast met plakband.

Opgelet! Draai het apparaat nooit ondersteboven. Kantel het apparaat tijdens het transport nooit meer dan 45 graden om problemen aan het koelsysteem te vermijden.

WAT TE DOEN BIJ EEN STROOMUITVAL

- In geval van een stroomuitval kunnen de laden de binnentemperatuur gedurende 1-2 uur handhaven, zelfs tijdens de zomer. Voeg in dit geval geen voedsel toe en open de ladedeuren niet.
- Als u weet dat er een stroomuitval zal plaatsvinden, plaats een waterdicht bakje met ijs in de lade.

Opmerking: De temperatuur in de laden neemt toe in geval van een stroomuitval en dit geeft een negatieve impact op de kwaliteit van het voedsel.

TECHNISCHE GEGEVENS

Nominale spanning:	220V-240V~
Nominale stroom:	0,3A
Nominale frequentie:	50Hz
Vermogen lamp:	1,5W
Klimaatklasse:	SN/N/ST/T
Koelmiddel:	R600a(26g)
Bescherming tegen elektrische schokken:	I
Isolatie-blaasgas:	Cyclopentaan
Geluidsniveau	40dB(A)
Max. zendvermogen	-6 ~ 4 dBm
Frequentiebereik	2402 - 2480MHz

Opmerking: DID wordt weergegeven op het typeplaatje van het product, dat op de zijkant van de lade is geplakt.

PROBLEEMOPLOSSING

Voor enkele algemene problemen die kunnen optreden, raadpleeg de onderstaande tabel.

Probleem	Mogelijke oorzaken	Oplossing
U hoort het geluid van stromend water.	Dit is normaal. Dit is het koelmiddel dat in het apparaat stroomt.	/
Geen reactie wanneer de knoppen worden aangeraakt.	Het bedieningspaneel is vergrendeld.	Controleer en ontgrendel het bedieningspaneel.
U hoort trillende geluiden.	Dit is het geluid van de werking van de compressor.	/
	Het apparaat is niet op een stabiel en vlak oppervlak geplaatst.	Plaats het apparaat op een stabiel en vlak oppervlak.
Het USB-opladen werkt niet.	Het apparaat is niet ingeschakeld.	Schakel het apparaat in.
	De oplaadkabel is stuk.	Gebruik een juist werkende oplaadkabel.
De compressor werkt continu.	Dit is normaal als de omgevingstemperatuur zeer hoog is.	/
	De ingestelde temperatuur is te laag.	Stel een gepaste temperatuur in.
	De deurlade is niet volledig dicht.	Zorg dat de ladedeur volledig dicht is.
	Het voedsel dat in de lade is geplaatst is te heet.	Laat het voedsel tot kamertemperatuur afkoelen voordat het in de lade wordt geplaatst.
	Het apparaat is aan direct zonlicht blootgesteld of bevindt zich te dicht bij een warmtebron	Zorg ervoor dat het apparaat zich in een koude ruimte bevindt.
	Er is te veel voedsel in de lade.	Verdeel het voedsel in de lade zodat de lucht vrij kan circuleren.

GARANTIE EN KLANTENSERVICE

Vóór de levering worden onze apparaten streng gecontroleerd. Indien het toestel ondanks alle zorg bij de productie of tijdens het transport beschadigd werd, moet u het naar de handelaar terugbrengen. Naast het wettelijke recht op waarborg heeft de klant recht op de volgende garantieclaim:

Wij geven een garantie van 2 jaar op het toestel, te beginnen met de koopdatum. Indien u een defect product heeft, kunt u rechtstreeks terug gaan naar het aankooppunt.

Gebreken die het gevolg zijn van ondeskundig gebruik van het toestel, fouten tijdens ingrepen en reparaties door derden of door de inbouw van vreemde onderdelen, vallen niet onder deze garantie. Bewaar altijd uw aankoopnota, zonder aankoopnota kunt u geen aanspraak maken op enige vorm van garantie. Bij schade veroorzaakt door het niet opvolgen van de gebruiksaanwijzing vervalt het recht op garantie. Voor vervolgschade die hieruit ontstaat kunnen wij niet verantwoordelijk gehouden worden. Voor materiële schade of persoonlijk letsel veroorzaakt door ondeskundig gebruik of het niet opvolgen van de veiligheidsvoorschriften zijn wij niet aansprakelijk. In dergelijke gevallen vervalt iedere aanspraak op garantie. Schade aan accessoires of onderdelen betekend niet dat het gehele apparaat zal worden vervangen. Afgebroken glazen of kunststof onderdelen of accessoires vallen niet onder de garantie en zullen tegen vergoeding vervangen kunnen worden. Defecten aan hulpstukken of aan slijtage onderhevige onderdelen, alsmede reiniging, onderhoud of de vervanging van slijtende delen vallen niet onder de garantie en zullen dus in rekening gebracht worden.

De garantieperiode voor de reserveonderdelen is 2 jaar. Als vervanging nodig is, neem contact op met onze klantenservice.

MILIEUVRIENDELIJKE AFVALVERWERKING



Recycling – Europese Richtlijn 2012/19/EU

Deze markering betekent dat dit product niet samen met ander huishoudelijk afval mag worden afgedankt. Om het milieu en de volksgezondheid niet in gevaar te brengen en het hergebruik van grondstoffen te bevorderen, moet dit product op verantwoorde wijze worden afgevoerd. Lever

verbruikte apparatuur a.u.b. in bij de hiervoor bestemde inzamelpunten of bij de winkel waar het product was aangeschaft. Zij zullen dit product accepteren voor milieuvriendelijke afvalverwerking.

Als u problemen ervaart met het apparaat of reserveonderdelen wilt bestellen, raadpleeg het telefoonnummer van de hotline op onze website www.emerio.eu/service.

Emerio Nordic AB
Smedjegatan 6
131 54 Nacka
Sweden

Alkuperäisten ohjeiden käännös TURVALLISUUSOHJEET

Varmista ennen käyttöä, että olet lukenut kaikki alla olevat ohjeet henkilövahinkojen ja vaurioiden välttämiseksi ja parhaiden tulosten saamiseksi laitteesta. Säilytä tämä käyttöopas turvallisessa paikassa. Jos annat tai siirrät laitteen jollekin muulle, anna tämä käyttöopas laitteen mukana.

Takuu ei korvaa vahinkoja, jotka aiheutuvat näiden käyttöohjeiden noudattamatta jättämisestä. Valmistaja/maahantuoja ei vastaa vaurioista, jotka aiheutuvat käyttöohjeiden noudattamatta jättämisestä, huolimattomasta käytöstä tai tämä käyttöoppaan vaatimusten vastaisesta käytöstä.

1. Lue ja säilytä nämä ohjeet. Huomio: ohjeissa olevat kuvat ovat vain viitteellisiä.
2. Laitetta saavat käyttää yli 8-vuotiaat lapset ja henkilöt, joiden fyysinen, aistinvarainen tai henkinen toimintakyky on rajoittunut tai joilla ei ole tarvittavaa kokemusta ja tietoa laitteen käytöstä, jos heitä valvotaan tai opastetaan laitteen turvalliseen käyttöön, ja he ymmärtävät käyttöön liittyvät vaarat. Lapset eivät saa leikkiä laitteella. Lapset eivät saa tehdä puhdistus- tai kunnossapitotoimenpiteitä ilman valvontaa.
3. 3–8-vuotiaat lapset saavat täyttää ja tyhjentää kylmälaitteita.
4. Jos virtajohto on vaurioitunut, se täytyy viedä vaihdettavaksi valmistajalle, sen valtuuttamaan huoltoliikkeeseen tai vastaavalle ammattitaitoiselle henkilölle vaarojen välttämiseksi.
5. Varoitus! Laite on irrotettava pistorasiasta puhdistamisen, kunnossapidon ja osien vaihtamisen ajaksi.
6. **VAROITUS:** Pidä ilmastointiaukot laitteen kotelossa tai sisäänrakennetussa rakenteessa esteettöminä.
7. **VAROITUS:** Älä käytä sulatuksen nopeuttamiseen

mekaanisia laitteita tai muita kuin valmistajan suosittelemia välineitä.

8. **VAROITUS:** Älä vaurioita kylmäainepiiriä.
9. **VAROITUS:** Älä käytä laitteen ruoan säilytysosastoissa sähkölaitteita, elleivät ne ole valmistajan suosittelemaa tyyppiä.
10. Älä säilytä laitteessa räjähtäviä aineita, kuten aerosoleja, joissa on syttyvä ponneaine.
11. Tämä laite on tarkoitettu kotikäyttöön ja vastaavaan käyttöön, kuten
 - henkilökunnan keittiötilat myymälöissä, toimistoissa ja muissa työympäristöissä;
 - maatilat ja hotellien, motellien ja muiden asuinympäristöjen asiakkaat;
 - aamiaismajoituspaikat;
 - catering-palvelut ja muut tukkukauppakäytöt.
12. **VAROITUS:** Kun sijoitat laitetta, varmista, että virtajohto ei ole puristuksissa tai vahingoittunut.
13. **VAROITUS:** Älä sijoita montaa jatkopistorasiaa tai kannettavaa virtalähdettä laitteen taakse.
14. Elintarvikkeiden pilaantumisen estämiseksi noudata seuraavia ohjeita:
 - Oven avaaminen pitkiksi ajoiksi voi aiheuttaa merkittävän lämpötilan nousun laitteen osastoissa.
 - Elintarvikkeiden kanssa kosketuksiin pääsevät pinnat sekä saavutettavissa olevat tyhjennysjärjestelmät tulee puhdistaa säännöllisesti.
 - Puhdista puhdasvesisäiliöt, jos niitä ei ole käytetty 48 tuntiin; huuhtelee vesijohtoon kytketty vesijärjestelmä, jos vettä ei ole laskettu 5 päivään. (Koskee vain vesiansostelijaa ja veden syöttöjärjestelmää.)
 - Säilytä raaka liha ja kala sopivissa astioissa jääkaapissa, jotta ne eivät ole kosketuksissa muiden elintarvikkeiden kanssa ja ettei niistä valu nesteitä muihin elintarvikkeisiin.
 - Kahdella tähdellä merkityt pakastelokerot soveltuvat esipakastettujen tuotteiden, jäätelön tai jääpalojen

valmistamiseen ja säilyttämiseen.

- Yhdellä, kahdella tai kolmella tähdellä merkityt pakastelokerot eivät sovellu tuoreiden elintarvikkeiden pakastamiseen.
- Jos kylmäsäilytyslaite jätetään tyhjäksi pitkiksi ajoiksi, irrota se virransyötöstä, sulata, kuivaa ja jätä ovi auki homeen muodostumisen välttämiseksi laitteen sisätiloihin.

15. Tätä kylmäsäilytyslaitetta ei ole tarkoitettu kalusteisiin upotettavaksi.

16. **Ilmastoluokka:**

- Laajennettu lauhkea (SN): tämä kylmäsäilytyslaite on tarkoitettu käytettäväksi 10–32 °C:n ympäristölämpötiloissa;
- Lauhkea (N): tämä kylmäsäilytyslaite on tarkoitettu käytettäväksi 16–32 °C:n ympäristölämpötiloissa;
- Subtrooppinen (ST): tämä kylmäsäilytyslaite on tarkoitettu käytettäväksi 16–38 °C:n ympäristölämpötiloissa;
- Trooppinen (T): tämä kylmäsäilytyslaite on tarkoitettu käytettäväksi 16–43 °C:n ympäristölämpötiloissa

17. Irrota laite pistorasiasta, kun laite ei ole käytössä, ennen kuin kiinnität tai irrotat osia, ennen puhdistamista.

18. Varmista, että työnnät pistokkeen loppuun asti, kun liität laitteen pistorasiaan.

19. Yhdistä pistoke maadoitettuun pistorasiaan.

20. Älä käytä laitetta paikassa, jossa säilytetään palavia ja syttyviä materiaaleja.

21. Vain valtuutettu huoltoliike saa korjata laitetta tai vaihtaa osia turvallisuussyistä.

22. Moottori on kestovoideltu, eikä vaadi öljyä.

23. Laite on asetettava siten, että pistoke on saavutettavissa.

24. Noudata laitteen hävittämisessä paikallisia määräyksiä, koska siinä on syttyvää, räjähtävää kaasua.

25. Käytä laitteen puhdistamiseen vain mietoja puhdistusaineita tai lasinpuhdistusaineita. Älä käytä

- voimakkaita puhdistusaineita tai liuottimia.
26. Älä laita kuumia elintarvikkeita tai juomia laatikoihin ennen kuin ne ovat jäähtyneet huonelämpötilaan.
 27. Sulje laatikot välittömästi ruokien laittamisen jälkeen, jotta sisälämpötila ei pääse nousemaan merkittävästi.
 28. Pidä laite poissa lämmönlähteiden läheltä, äläkä altista sitä suoralle auringonvalolle.
 29. Älä käytä laitetta märin käsin tai seisten kostealla pinnalla tai vedessä sähköiskujen välttämiseksi.
 30. Älä käytä ulkona kosteissa olosuhteissa.
 31. Älä irrota pistoketta virtajohdosta vetämällä. Tartu pistokkeeseen ja vedä se irti pistorasiasta.
 32. Pidä johto etäällä kuumista pinnoista.
 33. Tarkista, että kotisi virtalähteen jännite vastaa tuotteen arvokilpeen merkittyä jännitettä.
 34. Laitetta ei ole tarkoitettu käytettäväksi ulkoisen ajastimen tai erillisen etäohjausjärjestelmän kanssa.
 35. Suosittelemme tarkistamaan virtajohdon säännöllisesti mahdollisen kulumisen varalta. Laitetta ei saa käyttää, jos johto on vaurioitunut.



36. **VAROITUS!** Tulipalovaara / syttyviä materiaaleja
Pidä tuote etäällä tulenlähteistä käytön, huollon ja hävittämisen aikana. Syttyviä materiaaleja on laitteen takana.
37. Vältä nesteiden pääsemistä USB-/Type-C-porttiin oikosulun estämiseksi. Älä puhdistaa USB-/Type-C-porttia kostealla liinalla.
38. Laite soveltuu vain elintarvikkeiden säilyttämiseen. Sitä ei voi käyttää muihin tarkoituksiin, kuten veren tai biologisten tuotteiden säilyttämiseen.
39. Syttyviä ja räjähtäviä aineita, voimakkaita syövyttäviä happoja, emäksiä tai muita kemikaaleja ei saa säilyttää laatikoissa.

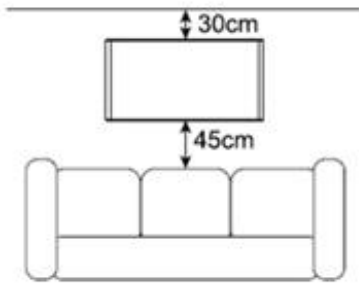
40. Suosittelemme, että et turvallisuuden takia sijoita tuotteen päälle pistorasiaa, virtalähdettä, mikroaaltouunia tai muita laitteita. Älä käytä sähkölaitteita tuotteen sisällä, jotta vältät sähkömagneettiset häiriöt tai muut onnettomuudet.
41. Tuotteen purkaminen, muuttaminen tai jäähdytyslinjan vahingoittaminen on ankarasti kiellettyä. Vain ammattihenkilöt saavat korjata tuotetta.
42. Saat tietoa asentamisesta, käsittelystä, käytöstä, huoltamisesta, lampun vaihtamisesta (jos käytössä), laitteen puhdistamisesta ja hävittämisestä käyttöoppaan seuraavasta kappaleesta.

YLEISET OHJEET

Tämä on luovasti muotoiltu kodinkone- ja huonekalutuote. Jääkaappilaatikossa voi säilyttää hedelmiä, juomia ja välipaloja, pakastetilassa voi säilyttää jäätelöä ja muita pakasteita. Tuotteessa on Bluetooth-yhteys, joka tukee Bluetooth 5.0 -versiota, USB- ja Type-C-portit, joiden avulla voit toistaa musiikkia ja ladata laitteita, kuten matkapuhelinta, iPadia ym.

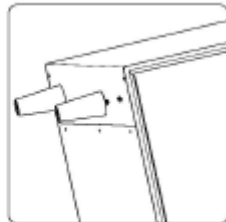
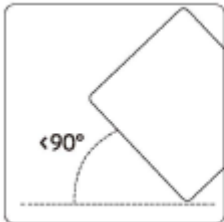
VALMISTELU ENNEN ENSIMMÄISTÄ KÄYTTÖKERTAA

- Poista kaikki pakkausmateriaali, mukaan lukien vaahtomuovialusta ja vaahtomuoviteippi varusteiden kiinnityksestä. Irrota läpinäkyvä laminointi pinnasta, jotta se ei vaikuta sohvapöydän normaaliin jäähtymiseen ja virrankulutukseen. Vaahtomuovipehmuste pitää poistaa ennen sohvapöydän käyttöä.
- Aseta laite paikkaan, joka täyttää kaikki seuraavat ehdot.
 - Vältä kosteita, kylmiä ympäristöjä ja suoraa auringonpaistetta.
 - Jätä vähintään 30 cm vapaata tilaa sohvapöydän eteen. Paras etäisyys sohvasta on noin 45 cm.



- Laite on asetettava tasaiselle ja kiinteälle alustalle.

- Asenna jalat poistamalla jalat oikeanpuoleisesta pakastelokerosta, kallistamalla laitetta enintään 90°, kohdistamalla jalat laitteen pohjaan ja kiristämällä ne.

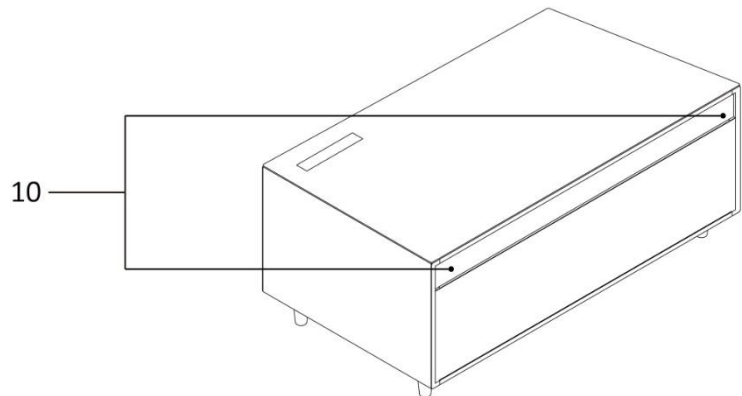
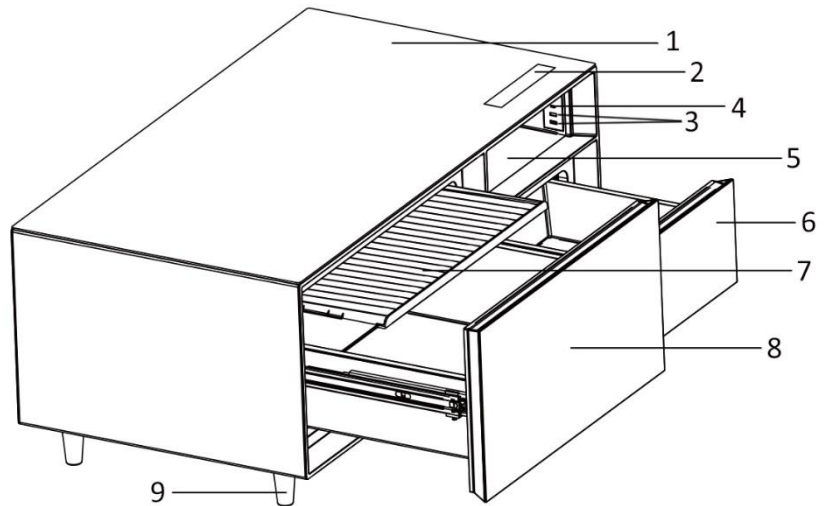


Huomaa:

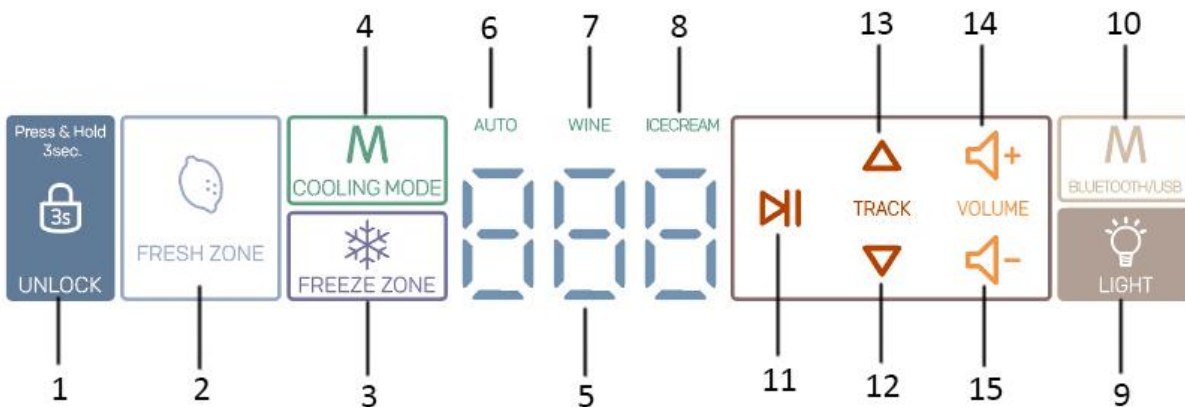
- Älä laita laitetta ylösalaisin asennuksen aikana.
 - Mikäli korkeutta täytyy lisätä, valitse kiinteä ja palamaton pehmuste. Mikäli laite on epävaka, säädä sohvapöydän säädettäviä jalkoja. Älä koskaan käytä pakkauksen vaahtomuoveja alustan tukena.
- Puhdista laite ennen käyttöä. Noudata osion ”PUHDISTUS JA HOITO” ohjeita.
 - Anna laitteen levätä aina vähintään 2 tuntia sen jälkeen, kun sitä on siirretty tai puhdistettu.
 - Kun 2 tunnin lepo on kulunut, tarkista USB-portti ja Type-C-portti, jotta niissä ei ole vesihöyryä. Virtajohto on laitteen pohjassa. Aseta pistoke kunnolla asianmukaiseen pistorasiaan. Jätä riittävästi pituutta virtajohtoon, jotta vältät kompastumiset johtoon.

RAKENNEPIIRUSTUS

1. Lasinen pöytälevy
2. Käyttöpaneeli
3. USB-portti (x2)
(Ylempi USB-portti tukee vain latausta; alempi USB-portti tukee latausta ja toistoa.)
4. Type-C-portti
5. Säilytystila
6. Oikea pakastelaatikko
7. Jääkaapin vesialusta
8. Vasen jääkaappilaatikko
9. Jalat
10. Ääni



KÄYTTÖPANEELI



1. Avauspainike
2. Jääkaappilaatikon lämpötilan asettaminen
3. Pakastelaatikon lämpötilan asettaminen
4. Jäähdytystilan painike
5. Digitaalinen näyttö
6. Automaattisen tilan merkkivalo
7. Viinitilan merkkivalo
8. Jäätelötilan merkkivalo
9. Valo päälle/pois-painike
10. Bluetooth/USB-valinta
11. Äänen toisto/tauko
12. Seuraava kappale
13. Viimeinen kappale

14. Äänenvoimakkuuden lisäys
15. Äänenvoimakkuuden vähennys

Huomautukset:

- Äänitoiminnon asetuksen aikana lämpötilanäyttöä ei ole, vaan näytössä näkyy äänitoimintinäyttö.
- Paina lukituksen avauspainiketta 3 sekunnin ajan, jääkaappi- ja pakastelaatikot avautuvat. Äänialue voidaan aktivoida tai sulkea itsenäisesti.
- Kosketa valo päälle/pois-painiketta, jolloin sisätilan valo syttyy tai sammuu.

Jääkaapin ja pakastelaatikoiden toiminta

Kun kytket virran ensimmäisen kerran, painikkeet ovat käyttötilassa, mutta ne siirtyvät lukittuun tilaan 10 sekunnin kuluttua, jos mitään toimintoa ei tehdä.

1. Painamalla lukitussa tilassa lukituksen avauspainiketta 3 sekunnin ajan, muut tämän alueen painikkeet tulevat käyttöön.
2. Oikeanpuoleinen laatikko on pakastelaatikko; asetat sen lämpötilan koskettamalla painiketta "FREEZE ZONE", lämpötila muuttuu -6 °C:sta -12 °C:een jokaisella kosketuksella. Vasen laatikko on jääkaappilaatikko; asetat sen lämpötilan koskettamalla painiketta "FRESH ZONE", lämpötila muuttuu 1 °C:sta 12 °C:een jokaisella kosketuksella, mutta säädettävissä on erilaisia lämpötilavälejä asettamasi pakastelaatikon lämpötilan mukaan. (Katso alla olevaa viitetaulukkoa) Jos mitään muutosta ei tehdä 3 sekunnin aikana, asetus vahvistetaan ja näyttö lakkaa vilkkumasta.

Asettamasi pakastelämpötila (°C)	Jääkaapin lämpötila-alue, jonka voit asettaa (°C)
-12	1, 2, 3, 4, 5, 6, 7, 8
-11	2, 3, 4, 5, 6, 7, 8, 9
-10	3, 4, 5, 6, 7, 8, 9, 10
-9	4, 5, 6, 7, 8, 9, 10, 11
-8	5, 6, 7, 8, 9, 10, 11, 12
-7	6, 7, 8, 9, 10, 11, 12
-6	7, 8, 9, 10, 11, 12

3. Koskettamalla painiketta "COOLING MODE" voit valita minkä tahansa kolmesta jäähdytystilasta: Automaattinen tila, viinitila ja jäätelötila. Vastaava merkkivalo palaa, kun tietty tila on valittuna. Järjestelmän asetuslämpötila on seuraava.

Viilennystila:	Pakasteiden lämpötila (°C)	Jääkaapin lämpötila (°C)
Automaattinen	-12	3
Viini	-8	12
Jäätelö	-12	6

4. Jos laatikko on auki liian kauan tai jos sitä ei ole suljettu kunnolla, sumneri hälyttää tietyn väliajoin ja näytöllä vilkkuu "dr" muistuttamassa sinua laatikon sulkemisesta ajoissa.

Huomautuksia elintarvikkeiden säilyttämisestä:

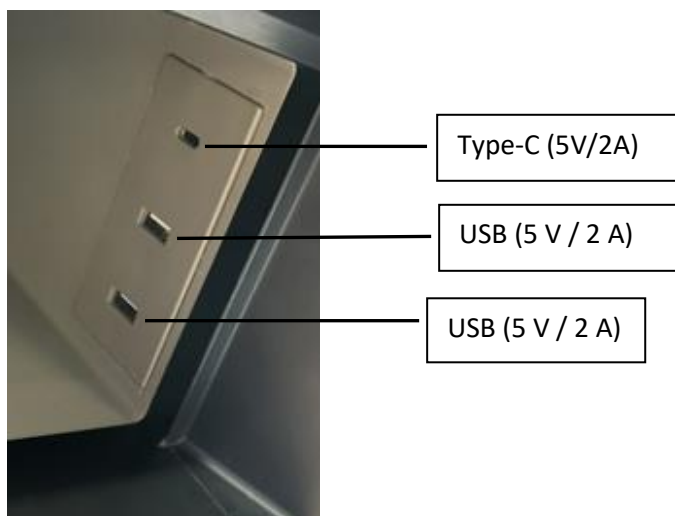
- Älä säilytä elintarvikkeita, jotka pilaantuvat helposti alhaisessa lämpötilassa, kuten banaaneja, paloitetuja trooppisia hedelmiä. Liiallinen kylmyys vie elintarvikkeista värin ja tuhoaa vitamiineja.
- Älä laita kuumia elintarvikkeita laatikkoon, sillä se nostaa sisälämpötilaa ja vaikuttaa muiden elintarvikkeiden säilymiseen.
- Älä avaa laatikkoa liian usein. Kun laatikko on auki, lämmintä ilmaa pääsee laatikkoon, mikä nostaa sisälämpötilaa.
- Käytä muovikalvoa tai muovipussia ruoka-astioiden peittämiseen tai käytä kannellisia astioita ruoan säilytykseen, jotta vältetään ruoan kosteuden haihtuminen ja maku sekä ravintopitoisuus säilyvät. Se voi myös vähentää hajuja laatikon sisällä.
- Vihannekset ja hedelmät täytyy pestä ja hangata puhtaiksi ennen laatikkoon laittamista.
- Pullot on asetettava tiiviisti vierekkäin, jotta ne eivät kaadu, kun laatikko avataan.
- Säädä lämpötila ruokien ominaisuuksien mukaan.

Äänitoiminto

1. Etsi ja yhdistä Bluetooth-laite nimeltä "T3" matkapuhelimellasi. Nyt laitteen kaiutin toimii matkapuhelimesi ulkoisena kaiuttimena.
Huomaa: Kun Bluetooth-tiedonsiirto katkaistaan, ääni ilmoittaa "Bluetooth disconnected". Bluetooth nollaantuu 5 minuutin kuluttua. Kun aikaisempi mobiililaite tulee yhteyskantaman sisälle, Bluetooth-yhteys muodostuu automaattisesti.
2. Voit toistaa/keskeyttää kappaletta, vaihtaa kappaletta tai säätää äänenvoimakkuutta joko matkapuhelimesta tai laitteen käyttöpaneelista. Katso kunkin painikkeen toiminto kohdasta "KÄYTTÖPANEELI". Kun valitset viimeisen kappaleen, LED-näytössä näkyy "FF". Kun valitset seuraavan kappaleen, LED-näytössä näkyy "FB".
3. Alemman USB-portin USB-liitännän kautta tietoja voidaan myös lukea ja toistaa. Voit vaihtaa Bluetooth- ja USB-toistoa koskettamalla Bluetooth/USB-valintapainiketta.
4. Äänenvoimakkuustasoja on 16 ja oletustaso on 8. Jokaisella äänenvoimakkuuden lisäspainikkeen painalluksella, äänenvoimakkuus kasvaa yhden tason, jokaisella äänenvoimakkuuden vähennyspainikkeen painalluksella, äänenvoimakkuus laskee yhden tason. Äänenvoimakkuuden asetus näkyy LED-näytössä, mutta näyttö palautuu lähdetilan näyttöön 2 sekunnin kuluttua siitä, kun äänenvoimakkuuden asetus on valmis.

USB-lataustoiminto

Laitteessa on yksi C-Type-portti ja kaksi USB-porttia. Kun laite on päällä, voit ladata muita laitteita, kuten matkapuhelin, iPad ym., yhdistämällä laitteet portteihin johdolla.



ENERGIANSÄÄSTÖVINKKEJÄ

- Sijoita laite viileään ja hyvin ilmastoituun tilaan. Pidä se etäällä lämmönlähteistä ja vältä suoraa auringonpaistetta.
- Rajoita luukun avausaikaa ja kertoja.
- Peitä tai kääri säilytettävä ruoka.
- Älä laita kuumia ruokia tai juomia laatikoihin ilman jäähdyttämistä.
- Älä koskaan täytä laatikoita liian täyteen; salli ilmankierto.
- Älä aseta lämpötilaa liian alhaiseksi. Mitä alhaisempi lämpötila, sitä suurempi virrankulutus.

PUHDISTUS JA HOITO

Hygienian takia laite (mukaan lukien ulkopuoli, sisäpuoli ja varusteet) täytyy puhdistaa säännöllisesti.

VAROITUS: Laite ei saa olla kytkettynä sähköverkkoon puhdistamisen jälkeen. Sähköiskun vaara! Kytke laite pois päältä ja irrota pistoke pistorasiasta ennen puhdistamista.

- Kun laite on kytketty irti verkosta, puhdista sen pinnat pehmeällä liinalla ja neutraalilla puhdistusaineella. Kuivaa pinnat sen jälkeen.
- Älä suihkuta laitteeseen vettä. Puhdista käyttöpaneeli ja USB-/Type-C-liitännät vain kuivalla liinalla. Varo sähköiskuja ja oikosulkuja!
- Älä käytä puhdistamiseen seuraavia: happamia tai emäksisiä puhdistusaineita, hankaavia jauheita, alkoholia, erilaisia happamia öljyjä, karkeaa harjaa, hankaussieniä, kuumaa vettä jne.
- Laite on painava. Älä ravistele laitetta puhdistamisen aikana. Varmista, että pöytälevy on ylöspäin.
- Älä puhdista takaverkkoa liian kovaa, jotta se ei väänny eikä puhdistusaineita pääse sisälle sen kautta. Se aiheuttaa oikosulun.

Laatikoiden purkaminen ja puhdistaminen

- Ota kaikki sisältö pois laatikoista ennen laatikoiden irrottamista.
- Vedä laatikot loppuun saakka, nosta laatikoita ulkopuolelta vähän ylöspäin ja vedä ne sitten ulos.
- Voit pestä laatikot puhtaalla vedellä. Kuivaa ne pehmeällä liinalla. Älä käytä koskaan kuumaa vettä puhdistamiseen, osat voivat murtua ja aiheuttaa loukkaantumisia.

Luukun tiivisteiden puhdistaminen

Luukun tiiviste likaantuu, ikääntyy ja vaurioituu helposti, mikä aiheuttaa jäähdytys-/pakastusvaikutuksen heikkenemisen. Pidä tiivisteet siis puhtaina.

Käytä vettä luukun tiivisteiden puhdistamiseen ja kuivaa se huolellisesti.

Laitteen käytön lopettaminen

Jos et käytä laitetta pitkään aikaan, irrota pistoke ja puhdista laatikot. Jätä laatikot auki hajujen välttämiseksi.

Huomaa: Jos olet irrottanut pistokkeen, odota vähintään 5 minuuttia ennen sen yhdistämistä uudelleen. Älä pysäytä laitetta liian usein.

LAITTEEN KULJETTAMINEN

1. Kytke laite pois päältä ja irrota pistoke.
2. Poista kaikki ruoka.
3. Käytä teippiä liikkuvien osien kiinnittämiseen.
4. Sulje laatikoiden luukut ja kiinnitä ne teipillä.

Huomio! Älä missään olosuhteissa aseta laitetta ylösalaisin. Kallistuskulma ei saa olla yli 45 astetta kuljetuksen aikana, jotta vältetään jäähdytysjärjestelmän ongelmat.

VIRTAKATKOS JA MENETTELY

- Jos tapahtuu virtakatkos, laatikoiden sisälämpötila säilyy 1–2 tuntia jopa kesällä. Älä lisää ruokaa tai avaa laatikon luukkua tässä tilanteessa.
- Jos tiedät virtakatkoksesta etukäteen, voi laittaa laatikkoon vesitiiviin astian täynnä jäätä.

Huomaa: Laatikon lämpötilan nousu virtakatkoksen takia tai muista syistä vaikuttaa ruoan laatuun.

TEKNISET TIEDOT

Nimellisjännite:	220 V – 240 V ~
Nimellisvirta:	0,3 A
Nimellistaajuus:	50 Hz
Lampun teho:	1,5 W
Ilmastoluokka:	SN/N/ST/T
Kylmäaine:	R600a (26 g)
Suojaus sähköiskulta:	I
Eristyskaasu:	Syklopentaani

Melutaso	40 dB (A)
Maksimi lähetysteho:	-6 ~ 4 dBm
Taajuusalue	2402 – 2480 MHz

Huomaa: DID näkyy tuotteen luokitusmerkinnässä, joka on kiinnitetty laatikon sivuun.

VIANMÄÄRITYS

Yleisissä oireissa voit katsoa ensin alla olevaa taulukkoa.

Oire	Mahdollinen syy	Ratkaisu
Vedenvirtauksen ääntä kuuluu.	Tämä on normaalia. Kylmäaine virtaa laitteen sisällä.	/
Painikkeiden kosketus ei vaikuta mitään	Käyttöpaneeli on lukittu.	Tarkista ja avaa käyttöpaneelin lukitus.
Tärinä-ääntä esiintyy.	Se on kompressorin toimintaääni.	/
	Laitetta ei ole asetettu vakaalle ja tasaiselle pinnalle.	Aseta laite vakaalle ja tasaiselle pinnalle.
USB-lataus ei toimi	Laitetta ei ole yhdistetty sähkövirtaan.	Yhdistä laite sähkövirtaan.
	Latausjohto on viallinen.	Käytä kunnollista latausjohtoa.
Kompressorikäily ilman taukoa.	Tämä on normaalia, jos ympäristön lämpötila on hyvin korkea.	/
	Asetettu lämpötila on liian alhainen.	Aseta asianmukainen lämpötila.
	Laatikon luukku ei ole suljettu kunnolla.	Varmista, että laatikon luukku on kunnolla kiinni.
	Laatikkoon laitettu ruoka on liian kuumaa.	Anna ruokien jäähtyä huonelämpötilaan ennen laatikkoon laittamista.
	Laite altistuu auringonpaisteella tai sen lähellä on muita lämmönlähteitä.	Varmista, että laite on sijoitettu viileään paikkaan.
	Laatikkoon on laitettu liikaa ruokaa.	Järjestä laatikko ja varmista, että ilmankierto toimii.

TAKUU JA ASIAKASPALVELU

Laitteemme tarkastetaan huolellisesti, ennen kuin ne toimitetaan jälleenmyyntiin. Jos laite on kaikesta huolimatta vioittunut tuotannon tai kuljetuksen aikana, palauta se jälleenmyyjälle. Laissa säädettyjen oikeuksien lisäksi ostajalla on oikeus seuraaviin takuukorvauksiin:

Laitteella on 2 vuoden takuu ostopäivästä lukien. Mikäli sinulla on viallinen tuote, voit palata suoraan paikkaan jossa suoritit hankinnan.

Takuu ei kata vikoja, jotka aiheutuvat laitteen virheellisestä käsittelystä, ulkopuolisten suorittamista muutoksista tai korjauksista tai muiden kuin alkuperäisosien asentamisesta laitteeseen.

Säilytä aina kuitti, ilman kuittia et voi vaatia mitään takuun puitteissa. Vauriot jotka johtuvat ohjekirjan noudattamatta jättämisestä, aiheuttavat takuun raukeamisen, jos tämä johtaa seurannaisiin vahinkoihin, emme ole vastuussa. Meitä ei voi myöskään pitää vastuullisena materiaalisista vahingoista tai henkilökohtaisista vammoista jotka johtuvat laitteen epäasiallisesta käytöstä tai jos käyttöohjeita ei noudateta. Vauriot lisävarusteille eivät tarkoita koko laitteen ilmaista vaihtoa. Tämän kaltaisessa tapauksessa ole hyvä ja ota yhteyttä

palveluyksikköömme. Rikotusta lasista tai muovin kappaleista veloitetaan aina. Viat kuluviissa osissa tai osissa jotka ovat alttiita rasitukselle kuten myös puhdistukselle, huollolle tai vaihdolle, mainitut osat eivät kuulu takuun piiriin ja tulee maksaa.

Varaosien takuuu aika on 2 vuotta. Jos tarvitset vaihto-osia, ota yhteyttä asiakaspalveluumme

YMPÄRISTÖYSTÄVÄLLINEN HÄVITTÄMINEN



Kierrätys – eurooppalainen direktiivi 2012/19/EY

Tämä merkintä ilmaisee, että tätä tuotetta ei saa hävittää kotitalousjätteiden mukana. Jotta jätteiden virheellisestä hävittämisestä ei aiheutuisi vaaraa ympäristölle tai terveydelle, kierrätä tuote vastuullisesti. Siten edistät myös uusiutumattomien luonnonvarojen kestävää uudelleenkäyttöä.

■ Kierrätä tuote toimittamalla se sähkö- ja elektroniikkaromua vastaanottavaan kierrätyspisteeseen tai liikkeeseen, josta ostit sen. Siten varmistat, että se kierrätetään turvallisesti.

Jos sinulla on laitteeseen liittyviä ongelmia tai sinun on tilattava varaosia, etsi palvelulinjan numero verkkosivustoltamme osoitteessa www.emerio.eu/service.

Emerio Nordic AB
Smedjegatan 6
131 54 Nacka
Sweden

Originale instruksjoner

SIKKERHETSINSTRUKSER

Før bruk må du lese alle instruksene nedenfor så du unngår skader på personer eller gjenstander, og slik at resultatet blir best mulig. Oppbevar håndboken på et trygt sted. Hvis du gir eller overlater apparatet til andre, må du sørge for at de også får håndboken.

Skulle det oppstå skader fordi brukeren ikke følger instruksene i håndboken, vil garantien ikke lenger være gyldig. Produsent/importør påtar seg ikke ansvar for skader som måtte oppstå dersom instruksene ikke blir fulgt, apparatet utsettes for skjødesløs behandling eller bruken ikke er i tråd med anvisningene.

1. Les og lagre disse instruksjonene. Merk: bilder i manualen er kun til referanse.
2. Dette apparatet kan brukes av barn over 8 år og av personer med nedsatte fysiske, sensoriske eller mentale funksjoner eller manglende erfaring og kunnskap, så sant de er under betryggende tilsyn eller har fått opplæring i anvendelsen av apparatet og er klar over risikoen ved bruk. Barn må ikke leke med apparatet. Rengjøring og vedlikehold må ikke utføres av barn uten at de er under tilsyn.
3. Det er tillatt for barn i alderen 3 til 8 år til å legge i og ta ut ting fra kjøleapparater.
4. Hvis ledningen er ødelagt, må den byttes av produsent, serviceansvarlig eller annen kvalifisert person for at ulykker skal unngås.
5. Advarsel! Apparatet skal kobles fra strømkilden under rengjøring eller vedlikehold og når du bytter ut deler.
6. **ADVARSEL:** Hold ventilasjonsåpningene, i apparatkapslingen eller i den innebygde strukturen, fri for hindringer.

7. **ADVARSEL:** Ikke bruk mekaniske enheter eller andre midler for å fremskynde avrimingsprosessen, bortsett fra de som er anbefalt av produsenten.
8. **ADVARSEL:** Ikke skad kjølekretsen.
9. **ADVARSEL:** Ikke bruk elektriske apparater inne i apparatets oppbevaringsrom, med mindre de er av den typen som er anbefalt av produsenten.
10. Ikke oppbevar eksplosive stoffer som aerosoldunker med brennbart drivmiddel i dette apparatet.
11. Dette apparatet er beregnet på bruk i husholdninger og lignende bruksområder som f.eks
 - ansattes kjøkkenområder i butikker, kontorer og andre arbeidsmiljøer;
 - gårdshus og av kunder i hoteller, moteller og andre boligmiljøer;
 - bed and breakfast type miljøer
 - catering og lignende applikasjoner som ikke er detaljhandel.
12. **ADVARSEL:** Når du plasserer apparatet, må du forsikre deg om at strømledningen ikke sitter fast eller er skadet.
13. **ADVARSEL:** Ikke plasser flere bærbare stikkontakter eller bærbare strømforsyninger på baksiden av apparatet.
14. For å unngå kontaminering av mat, respekter følgende instruksjoner:
 - Å åpne døren i lengre perioder kan føre til en betydelig økning av temperaturen i apparatets rom.
 - Rengjør jevnlig overflater som kan komme i kontakt med mat og tilgjengelige dreneringssystemer.
 - Rengjør vanntanker hvis de ikke har vært brukt på 48 timer; spyle vannsystemet koblet til en vannforsyning hvis vann ikke har blitt trukket på 5 dager. (Gjelder kun for vanddispenser og vanninntakssystem.)
 - Oppbevar rått kjøtt og fisk i egnede beholdere i kjøleskapet, slik at det ikke kommer i kontakt med eller drypper på annen mat.
 - To-stjerners fryserom er egnet for oppbevaring av forhåndsfryst mat, oppbevaring eller tilberedning av

- iskrem og til å lage isbiter.
- En-, to- og trestjerners rom er ikke egnet for frysing av fersk mat.
 - Hvis kjøleapparatet blir stående tomt i lengre perioder, slå av, tine, rengjør, tørk og la døren stå åpen for å forhindre muggutvikling inne i apparatet.
15. Dette kjøleinnretningen er ikke ment å brukes som et innebygd apparat.
16. **Klimaklasse:**
- Utvidet temperert (SN): 'dette kjøleapparatet er beregnet på å brukes ved omgivelsestemperaturer fra 10°C til 32°C';
 - Temperert (N): 'dette kjøleapparatet er beregnet på å brukes ved omgivelsestemperaturer fra 16 °C til 32 °C';
 - Subtropisk (ST): 'dette kjøleapparatet er beregnet på å brukes ved omgivelsestemperaturer fra 16 °C til 38 °C';
 - Tropisk (T): 'dette kjøleapparatet er ment å brukes ved omgivelsestemperaturer fra 16 °C til 43 °C'.
17. Koble apparatet fra stikkontakten når det ikke er i bruk, før du setter på eller tar av deler, før du rengjør det.
18. Sørg for å sette støpselet helt inn i kontakten når du kobler til apparatet.
19. Sett støpselet i en jordet stikkontakt.
20. Bruk aldri apparatet på et sted der det holdes brennbare og brennbare materialer.
21. Av sikkerhetsgrunner må du sørge for å reparere eller bytte ut deler hos en autorisert serviceforhandler.
22. Motoren er permanent smurt og trenger ingen olje.
23. Apparatet må plasseres slik at støpselet er tilgjengelig.
24. Følg de lokale forskriftene angående avhending av apparatet for brennbar røykgass.
25. For å rengjøre apparatet, bruk bare milde vaskemidler eller glassrengjøringsmidler. Bruk aldri sterke vaskemidler eller løsemidler.

26. Ikke plasser varm mat eller drikke i skuffene før den er avkjølt til romtemperatur.
27. Lukk skuffene umiddelbart etter at du har lagt inn noen ting, slik at innvendig temperatur ikke vil stige dramatisk.
28. Hold apparatet borte fra varmekilder eller direkte sollys.
29. Ikke bruk apparatet med våte hender, mens du står på et vått underlag eller mens du står i vann, for å unngå personskader.
30. Ikke bruk utendørs eller i våte forhold.
31. Trekk aldri i ledningen for å koble den fra stikkontakten. Ta tak i støpselet og trekk det ut av stikkontakten.
32. Hold ledningen borte fra oppvarmede overflater.
33. Kontroller at spenningen til strømforsyningen i hjemmet er den samme som spenningen som vises på merkelappen til dette produktet.
34. Apparatet er ikke ment å brukes ved hjelp av en ekstern tidtaker eller et separat fjernkontrollsystem.
35. Det anbefales å sjekke strømledningen regelmessig for tegn på mulig forringelse, og apparatet bør ikke brukes hvis kablet er skadet.



36. **ADVARSEL!** Fare for brann / brennbare materialer
Hold produktet langt borte ved bruk, service og avhending. Det er brennbare materialer bak på apparatet.
37. Unngå væsketilførsel til USB / Type-C-porten i tilfelle kortslutning. Ikke bruk en våt klut til å tørke av USB / Type-C-porten når du rengjør.
38. Apparatet er kun egnet for oppbevaring av mat. Den kan ikke brukes til andre formål, for eksempel lagring av blod, biologiske produkter.
39. Brannfarlig og eksplosivt farlig gods samt sterke etsende syrer, alkalier og andre kjemikalier skal ikke oppbevares i skuffene.

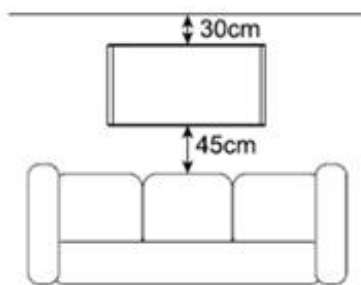
40. For å sikre sikkerheten, anbefales det å ikke plassere stikkontakten, strømforsyningen, mikrobølgeovnene og andre apparater på overflaten av produktet. Ikke bruk elektriske apparater inne i produktet for å unngå elektromagnetisk forstyrrelse eller andre ulykker.
41. Det er strengt forbudt å demontere, modifisere produktet eller skade kjøleslangen. Reparasjonen av produktet må utføres av fagfolk.
42. Angående informasjon om installasjon, håndtering, bruk, service, utskifting av lampe (hvis aktuelt), rengjøring og avhending av apparatet, takket være henvisningen til avsnittet nedenfor i håndboken.

GENERELL INTRODUKSJON

Dette er et kreativt apparat- og møbelprodukt. Kjøleskapsskuffen kan lagre frukt, drikke og snacks; fryserommet kan lagre is og annen mat som må fryses. Produktet har Bluetooth-tilkobling som støtter Bluetooth 5.0, USB- og Type-C-porter, som lar deg spille av musikk og lade enheter som mobiltelefon, iPad osv.

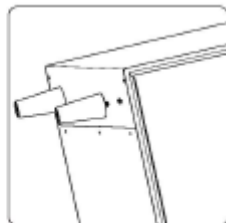
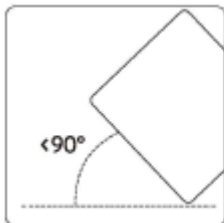
FORBEREDELSE FØR FØRSTE BRUK

1. Fjern alt emballasjemateriale, inkludert skumbasen og skumteip for feste av tilbehør. Riv av den gjennomsiktige lamineringen på overflaten for ikke å påvirke tebordets normale kjøling og strømforbruk. Skumputen skal fjernes ved bruk av tebordet.
2. Plasser apparatet på et sted som oppfyller alle betingelsene nedenfor.
 - 1) Unngå fuktige, kalde omgivelser og direkte sollys.
 - 2) Det skal være mer enn 30 cm plass foran tebordet. Den beste avstanden fra sofaen er ca 45 cm.



- 3) apparatet bør plasseres på et flatt og solid underlag.

3. For å installere føttene, ta ut føttene fra høyre fryseskuff; vipp ikke apparatet mer enn 90°; juster og stram føttene til bunnen av apparatet.



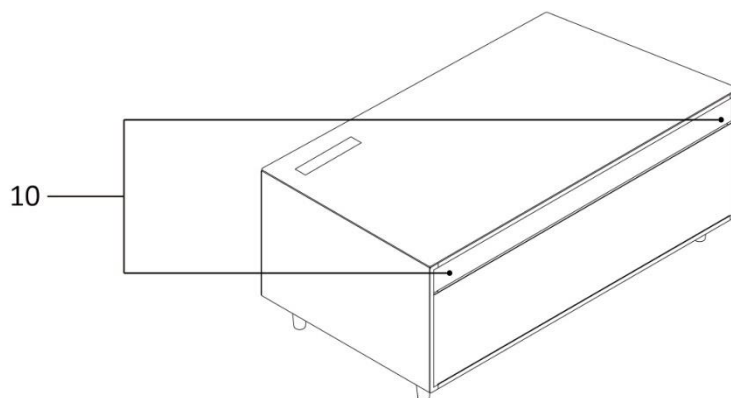
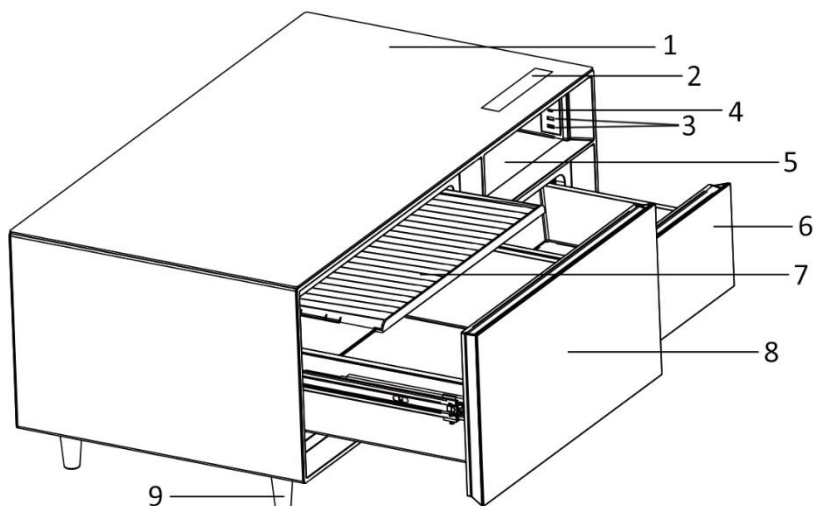
Merk:

- Ikke sett apparatet opp ned under installasjonen.
- Hvis høydeøkningen er nødvendig, bør flat, solid og ikke-brennbar pute velges. Hvis det er litt ustabil, må du justere de justerbare føttene på tebordet. Bruk aldri pakkeskum til basestøtten.

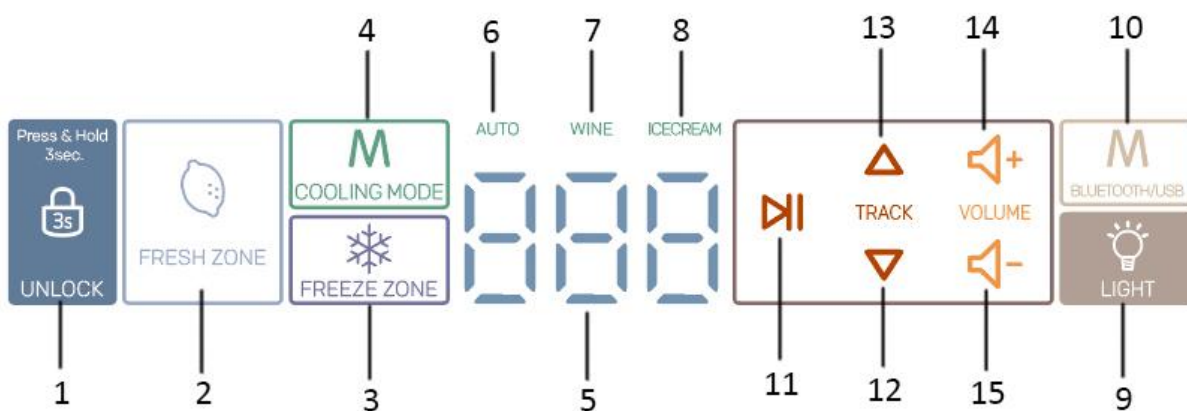
4. Rengjør apparatet før bruk. Se avsnittet "RENGJØRING OG STELL".
5. La alltid apparatet hvile i minst 2 timer etter flytting eller rengjøring.
6. Etter 2 timers hvile, kontroller USB- og Type-C-portene, og sørg for at det ikke er vandamp. Strømledningen er nederst på apparatet. Sett støpselet riktig inn i en passende stikkontakt. La strømledningen være tilstrekkelig lang og unngå snubling på grunn av strømledningen.

STRUKTURILLUSTRASJON

1. Bordplate av glass
2. Kontrollpanel
3. USB-port (x2)
(Den øvre USB-porten støtter kun lading; den nederste USB-porten støtter lading og avspilling.)
4. Type-C-port
5. Bod
6. Høyre fryseskuff
7. Vannbrett i kjøleskap
8. Venstre kjøleskapskuff
9. Føtter
10. Lyd



KONTROLLPANEL



1. Lås opp-knapp
2. Temperaturinnstilling for kjøleskapskuff
3. Temperaturinnstilling for fryseskuff
4. Knapp for kjølemodus
5. Digital skjerm
6. Indikatorlys for automatisk modus
7. Indikatorlampe for vinmodus
8. Indikatorlampe for iskremmodus
9. Lys på/av-knapp
10. Bluetooth/USB valg
11. Lydspill/pause
12. Neste spor
13. Siste spor

14. Volum opp

15. Volum ned

Merknader:

- Når du stiller inn lydfunksjonen, er det ingen temperaturvisning, men visning av gjeldende lydoperasjon.
- Trykk på opplåsingsknappen i 3 sekunder, kjøle- og fryseskuffene låses opp. Lyddelen kan aktiveres eller lukkes uavhengig.
- Trykk på lys av/på-knappen, lyset i bod vil være på eller av.

Betjening for kjøle- og fryseskuffene

Etter at de slås på for første gang, er knappene i ikke-låst tilstand, og de vil gå inn i låst tilstand etter 10 sekunder uten noen operasjon.

1. I låst tilstand, trykk på låseknappen i 3 sekunder, så kan du trykke på andre knapper i denne sonen for bruk.
2. Den høyre skuff er en fryseskuff; for å stille inn temperaturen, trykk på knappen "FRYSESONE", og temperaturen vil gå fra -6 °C til -12 °C for hvert trykk. Den venstre skuff er en kjøleskapskuff; for å stille inn temperaturen, trykk på knappen "FERSK SONE", og temperaturen vil gå fra 1 °C til 12 °C ved hvert trykk, men det er forskjellige temperaturintervaller i henhold til fryseskuffens temperatur du angir. (Se referansetabellen nedenfor) Hvis det ikke er noen operasjon på mer enn 3 sekunder, vil innstillingen bekreftes og displayet slutter å blinke.

Frysetemperaturen du har stilt inn (°C)	Kjøleskaps temperaturområdet du kan stille inn (°C)
-12	1, 2, 3, 4, 5, 6, 7, 8
-11	2, 3, 4, 5, 6, 7, 8, 9
-10	3, 4, 5, 6, 7, 8, 9, 10
-9	4, 5, 6, 7, 8, 9, 10, 11
-8	5, 6, 7, 8, 9, 10, 11, 12
-7	6, 7, 8, 9, 10, 11, 12
-6	7, 8, 9, 10, 11, 12

3. Ved å trykke på knappen "KJØLEMODUS", kan du velge hvilken som helst av de tre kjølemodusene: AUTO-modus, vin-modus og is-modus. Den tilsvarende indikatorlampen vil lyse når en bestemt modus er valgt. Den systeminnstilte temperaturen er som følger.

Kjølemodus	Frysertemperatur (°C)	Kjøleskaps temperatur (°C)
AUTO	-12	3
Vin	-8	12
Iskrem	-12	6

4. Hvis skuffedøren fortsetter å åpne for lenge eller ikke lukkes veldig tett, vil summeren varsle med intervaller og skjermen vise et blinkende "dr" for å minne deg på å lukke døren i tide.

Merknader for lagring av mat:

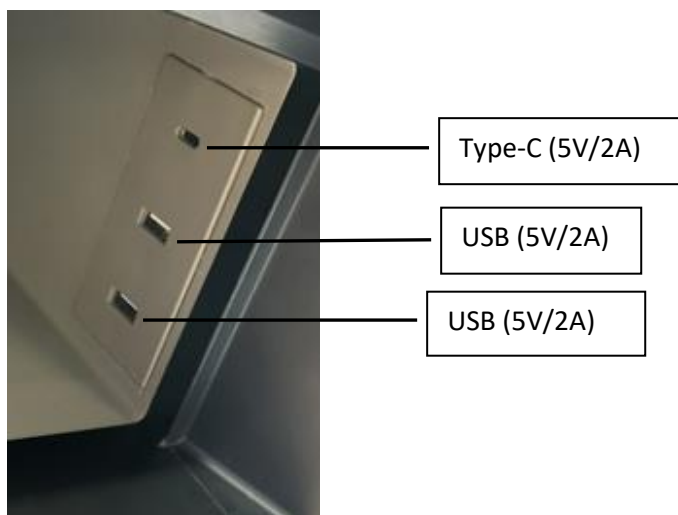
- Ikke oppbevar mat som lett tilsettes ved lav temperatur, for eksempel bananer, kutte tropiske frukter. Overdreven kjøling vil gjøre maten misfarget og vitaminet redusert.
- Ikke legg varm mat i skuffen, for det vil øke temperaturen inne og påvirke ferskheten til andre matvarer.
- Ikke åpne skuffen ofte. Når skuffen er åpen, vil den varme luften komme inn i skuffen og føre til at innetemperaturen stiger.
- Bruk plastfolie eller pose for å forsegle matbeholderne, eller bruk en tildekket beholder for å oppbevare mat, for å unngå fordampning av matfuktighet og beholde matens smak og ernæring. Det kan også redusere lukten inne i skuffen.
- Mat som grønnsaker og frukt bør vaskes og skrubbes rent før de legges i skuffen.
- Flaskene skal plasseres tett for å forhindre at de vipper når skuffen åpnes.
- Juster temperaturen i henhold til mategenskapene.

Lyddriftsfunksjon

1. Søk og koble til Bluetooth-enheten kalt "T3" på mobiltelefonen din. Nå fungerer apparatets høyttaler som ekstern høyttaler for mobiltelefonen din.
Merk: Når Bluetooth-dataoverføringen er frakoblet, får talemeldingen «Bluetooth frakoblet». Etter 5 minutter tilbakestilles Bluetooth. Når den forrige mobilenheten kommer tilbake til rekkevidden som kan kobles til, kobles Bluetooth automatisk til.
2. Du kan enten betjene på mobiltelefonen eller på kontrollpanelet på apparatet for å få sangen til å spille av/pause, bytte sang eller justere volumet. Se avsnittet "KONTROLLPANEL" for å finne funksjonen til hver knapp. Når du velger det siste sporet, vises "FF" på LED-en. Når du velger neste spor, vises "FB" på LED-en.
3. Gjennom en USB-tilkobling til den nederste USB-porten vil dataene også leses og spilles av. For å bytte Bluetooth og USB-avspilling, trykk på Bluetooth/USB-valgknappen for å gjøre valget.
4. Det er 16 volumnivåer, og standardvolumet er nr. 8. Hver gang du trykker på volum opp-knappen, øker volumet ett nivå; hver gang du trykker på volum ned-knappen, reduseres volumet ett nivå. Voluminnstillingen vises på LED-skjermen, som vil gå tilbake til kildemodusvisningen etter 2 sekunder når voluminnstillingen er fullført.

USB-ladefunksjon

Det er én type C-port og to USB-porter. Når apparatet er slått på, kan du lade opp enhetene som mobiltelefon, iPad osv. ved å koble enhetene dine til portene via en kabel.



TIPS FOR ENERGISPARING

- Sett apparatet på et kjølig og godt ventilert sted. Hold det langt borte fra varmekilder og unngå direkte sollys.
- Minimer tid og frekvens for døråpning.
- Dekk til eller pakk maten for oppbevaring.
- Ikke legg varm mat eller drikke i skuffene før du har kjølt deg ned.
- Aldri overfyll skuffene; la luften strøkke.
- Ikke sett temperaturen for lavt. Jo lavere den innstilte temperaturen er, desto høyere temperaturforbruk er det nødvendig.

RENGJØRING OG STELL

Av hygieniske årsaker bør apparatet (inkludert utvendig og innvendig tilbehør) rengjøres regelmessig.

ADVARSEL: Apparatet må ikke kobles til strømmettet under rengjøring. Fare for elektrisk støt! Slå av apparatet og trekk ut støpselet fra stikkontakten før rengjøring.

- Etter at apparatet er koblet fra strømmen, bruker du en myk klut med nøytralt rengjøringsmiddel for å

rengjøre overflaten og deretter tørke den.

- Ikke spray vann på apparatet. Rengjør kontrollpanelet, USB / Type-C-kontaktene kun med en tørr klut. Unngå elektrisk støt og kortslutning!
- Ikke bruk følgende materialer til rengjøring: svake sure eller alkaliske rengjøringsmidler, slipepulver, alkohol, forskjellige syreoljer, stive børster, slipende svampebørster, varmt vann, etc.
- Apparatet er tungt. Ikke rist apparatet under rengjøring, sørg for at bordplaten vender oppover.
- Ikke rengjør baknettet for hardt i tilfelle nettet blir deformert og rengjøringsvæske kommer inn i det, noe som vil føre til kortslutning.

Demontering og rengjøring av skuffer

- Ta ut alt innholdet i skuffen før du fjerner skuffene.
- Trekk skuffene til enden, løft utsiden av skuffene litt oppover og trekk deretter skuffene ut.
- Du kan vaske skuffene med rent vann. Tørk dem med en myk klut. Bruk aldri varmt vann til rengjøring, i tilfelle disse delene sprekker og skader mennesker.

Rengjøring av dørpakninger

Dørpakningen er lett å bli skitten, eldes og skades, noe som vil føre til at kjøle-/fryseeffekten reduseres, så hold den ren.

Bruk vann til å rengjøre dørpakningen og tørk den grundig.

Slutt å bruke apparatet

Hvis du slutter å bruke apparatet i lang tid, bør du trekke ut stikkkontakten og rengjøre skuffene. La skuffens dører være åpne for å unngå lukt.

Merk: Hvis støpselet er tatt ut, må du vente i minst 5 minutter for å sette i støpselet igjen. Ikke stopp apparatet for ofte.

TRANSPORT AV APPARATET

1. Slå av apparatet og ta ut støpselet.
2. Ta ut all maten.
3. Bruk tape for å fikse de bevegelige delene.
4. Lukk skuffedøren og fest den med tape.

Forsiktighet! Ikke sett apparatet på hodet under noen omstendigheter. Under transporten må du holde en vinkel ikke større enn 45 grader for å unngå kjølesystemproblemer.

STRØMFEIL OG HÅNDTERING

- Hvis det oppstår strømbrudd, holder skuffene innetemperaturen innen 1-2 timer, selv om sommeren. I denne situasjonen, ikke legg inn mer mat, og prøv å ikke åpne skuffens dør.
- Hvis du vet strømbruddet på forhånd, kan du legge en vanntett beholder med is i skuffen.

Merk: Temperaturen i skuffene øker på grunn av strømbrudd eller andre grunner vil påvirke matkvaliteten.

TEKNISKE SPESIFIKASJONER

Nominell spenning:	220V-240V ~
Nominell strøm:	0,3A
Nominell frekvens:	50Hz
Lampekraft:	1,5W
Klimaklasse:	SN/N/ST/T
Kjølemiddel:	R600a (26g)
Beskyttelse mot elektrisk støt:	I
Isolasjonsgass:	Syklopentan
Støynivå	40 dB(A)
Maks. overføringskraft	-6 ~ 4dBm
Frekvensområde	2402 – 2480 MHz

Merk: DID gjenspeiles på produktvurderingsetiketten, som er limt på siden av skuffen.

FEILSØKING

For noen generelle symptomer, vennligst sjekk tabellen nedenfor.

Symptom	Mulig årsak	Løsning
Det er vann som strømmer.	Det er normalt. Det er kjølemedium som strømmer innover.	/
Ingen svar når du berører knappene	Kontrollpanelet er låst.	Kontroller og låse opp kontrollpanelet.
Det er vibrasjonslyd.	Det er kompressorens arbeidslyd.	/
	Apparatet har ikke blitt satt på en stabil og flat overflate.	Sett apparatet på et stabilt og flatt underlag.
USB-ladingsfeil	Apparatet er ikke slått på.	Slå på apparatet.
	Ladekabelen er ødelagt.	Bruk en skikkelig ladekabel.
Kompressoren fungerer uten stopp.	Det er normalt hvis omgivelsestemperaturen er veldig høy.	/
	Den innstilte temperaturen er for lav.	Still inn en passende temperatur.
	Skuffedøren er ikke helt lukket.	Forsikre deg om at skuffedøren er tett lukket.
	Maten som legges i skuffen er for varm.	La maten avkjøles til romtemperatur før den legges i skuffen.
	Hvis det er direkte sollys eller andre varme kilder i nærheten av apparatet.	Forsikre deg om at apparatet er plassert på et kjølig sted.
	For mye mat legges i skuffen.	Ordne skuffen og sørg for at det er plass til luftstrøm.

GARANTI OG KUNDESERVICE

Før levering våre enheter er underlagt streng kvalitetskontroll. Hvis, til tross all omsorg, har skaden oppstått under produksjon eller transport, kan du returnere enheten til forhandleren. I tillegg til lovfestede rettigheter, har kjøper en opsjon til å kreve i henhold til følgende garanti.

For de kjøpte apparatet vi gir 2 års garanti, fra den dagen av salget. I denne perioden vil vi avhjelpe alle mangler gratis, som kan påviselig skyldes material-eller produksjonsfeil, ved reparasjon eller bytte.

Defekter som oppstår på grunn av feil håndtering av enheten og funksjonsfeil på grunn av inngrep og reparasjoner av tredjeparter eller montering av ikke-originale deler er ikke dekket av denne garantien.

Ta alltid vare på kvitteringen. Uten kvitteringen kan du ikke kreve noen form for garanti. Skade som skyldes at bruksanvisningen ikke er fulgt, medfører at garantien blir gjort ugyldig. Hvis dette resulterer i betydelig skade vil vi ikke kunne holdes ansvarlig for skaden. Vi kan heller ikke bli holdt ansvarlig for material - eller personalskade som skyldes feil bruk eller om instruksene i bruksanvisningen ikke er blitt ordentlig utført. Skade på tilbehør gir ikke rett til utskifting av hele apparatet. Vær vennlig, i et slikt tilfelle, å ta kontakt med din serviceavdeling. Knust glass eller brekkasje på plastikkdeler er alltid gjenstand for utskifting. Ved defekter på forbruksdeler eller deler som er utsatt for slitasje, herunder rengjøring, vil vedlikehold eller utskifting ikke være dekket av garantien og må derfor bli betalt.

Garantiperioden for reservedelene er 2 år. Hvis du trenger utskifting, vennligst kontakt vår kundeservice.

MILJØVENNLIG KASTING



Resirkulering – EU-direktiv 2012/19/EU

Dette symbolet indikerer at produktet ikke skal kastes sammen med husholdningsavfall. For å hindre mulig skade på miljø eller helse fra ukontrollert avfallshåndtering, resirkuleres det ansvarlig for å fremme bærekraftig gjenbruk av materialressurser. For å returnere din brukte enhet, bruk stedlige

retur og innsamlingsystemer eller kontakt forhandleren der produktet ble kjøpt. De kan sørge for at dette produktet blir miljømessig og trygt resirkulert.

Hvis du har problemer med enheten eller trenger å bestille reservedeler, vennligst sjekk hotline-telefonnummeret på vår nettside www.emerio.eu/service.

Emerio Nordic AB
Smedjegatan 6
131 54 Nacka
Sweden

Originale vejledninger

SIKKERHEDSINSTRUKTIONER

Sørg for at læse alle anvisningerne nedenfor, før apparatet tages i brug, for at undgå person- eller tingskade, og for at opnå de bedste resultater med apparatet. Opbevar denne vejledning på et sikkert sted. Hvis du giver dette apparat til en tredjepart, skal du også overdrage denne vejledning til den senere bruger.

Skulle der opstå skader som følge af, at brugeren ikke følger anvisningerne i denne vejledning, bortfalder garantien. Fabrikanten/importøren kan ikke holdes ansvarlig for skader som opstår som følge af, at brugeren ikke følger vejledningen, uagtsom anvendelse eller anvendelse i strid med vejledningen.

1. Læs og gem disse anvisninger. Bemærk: Billederne i brugsanvisningen er kun vejledende.
2. Dette apparat kan anvendes af børn i alderen 8 år og derover, samt af personer med nedsatte fysiske, sensoriske eller mentale evner, eller mangel på erfaring og viden, hvis de er under opsyn eller instrueres om brugen af apparatet på en sikker måde, og forstår de farer, der er involveret. Børn må ikke lege med dette apparat. Rengøring og vedligeholdelse må ikke foretages af børn uden opsyn.
3. Børn i alderen 3-8 år må putte genstand i og tage dem ud af apparatet.
4. Hvis ledningen beskadiges, skal den skiftes af producenten, dens serviceagent eller tilsvarende kvalificerede personer, for at undgå fare.
5. Advarsel! Apparatet skal afbrydes fra strømkilden, når det rengøres og vedligeholdes, og når delene udskiftes.
6. **ADVARSEL:** Hold ventilationsåbningerne - både i apparatets kabinet og i en indbygget struktur - fri for blokeringer.
7. **ADVARSEL:** Brug ikke mekaniske enheder eller andre

midler til at fremskynde afrimningsprocessen, udover dem, der er anbefalet af producenten.

8. **ADVARSEL:** Kølemiddelkredsløbet må ikke beskadiges.
9. **ADVARSEL:** Brug ikke elektriske apparater i opbevaringsrummene til fødevarer i apparatet, medmindre de er af en type, der er anbefalet af producenten.
10. Opbevar ikke eksplosive stoffer i dette apparat, såsom aerosoldåser med et brændbart drivmiddel.
11. Dette apparat er beregnet til brug i hjemmet og lignende steder, som fx
 - personalekøkkener i butikker, kontorer og andre arbejdspladser;
 - bondegårde og af gæster på hoteller, moteller og andre boligmiljøer;
 - bed and breakfast-lignede miljøer;
 - catering og lignende ikke-erhvervsmæssige steder.
12. **ADVARSEL:** Når apparatet stilles op eller flyttes, skal du sørge for at ledningen ikke kommer i klemme eller beskadiges.
13. **ADVARSEL:** Brug ikke stikdåser eller bærbare strømforsyninger bag på apparatet.
14. For at undgå forurening af fødevarerne, skal du overholde følgende instruktioner:
 - Hvis lågen holdes åben i længere tid, kan temperaturen i apparatets rum stige væsentligt.
 - Rengør regelmæssigt overflader, der kan komme i kontakt med mad og afløbssystemer.
 - Rengør vandbeholderne, hvis de ikke har været brugt i 48 timer. Skyl vandsystemet, der er tilsluttet en vandforsyning, hvis det ikke har brugt vand i 5 dage. (Gælder kun for vandforsyninger og vandindløb.)
 - Råt kød og fisk skal opbevares i egnede beholdere i køleskabet, så de ikke kommer i kontakt med eller drypper på andre fødevarer.
 - To-stjernede fødevarerum til frosne fødevarer er velegnede til opbevaring af frosne fødevarer, opbevaring

eller fremstilling af is og fremstilling af isterninger.

- En-, to- og tre-stjernede rum er ikke egnede til frysning af friske fødevarer.
- Hvis køleapparatet efterlades tomt i længere tid, skal det slukkes, afrimes, rengøres og tørres. Og det skal stå med lågen åben, så der ikke dannes mug i apparatet.

15. Dette køleudstyr er ikke beregnet til brug, som et indbygget apparat.

16. **Klimaklasse:**

- Udvidet tempereret (SN): Dette køleudstyr er beregnet til brug i omgivelsestemperaturer fra 10 °C til 32 °C.
- Tempereret (N): Dette køleudstyr er beregnet til brug i omgivelsestemperaturer fra 16 °C til 32 °C.
- Subtropisk (ST): Dette køleudstyr er beregnet til brug i omgivelsestemperaturer fra 16 °C til 38 °C.
- Tropisk (T): Dette køleudstyr er beregnet til brug i omgivelsestemperaturer fra 16 °C til 43 °C.

17. Træk apparatets stik ud af stikkontakten, når apparatet ikke er i brug, inden delene sættes på og tages af og når apparatet rengøres.

18. Sørg for at sætte stikket helt i stikkontakten, når du tilslutter dit apparat.

19. Sæt stikket i en stikkontakt med en enkel jordforbindelse.

20. Brug aldrig apparatet et sted, hvor der opbevares brændbare og brandfarlige materialer.

21. Af sikkerhedsmæssige årsager, skal alle dele repareres og udskiftes af en autoriseret serviceforhandler.

22. Motoren er permanent smurt og skal ikke smøres med olie.

23. Apparatet skal placeres, så stikket er tilgængeligt.

24. Følg de lokale regler for bortskaffelse af apparatet, da det indeholder brandfarligt blæsegas.

25. Brug kun milde rengøringsmidler eller glasrensereprodukter til rengøring af apparatet. Brug aldrig barske rengøringsmidler eller opløsningsmidler.

26. Undgå, at putte varme føde- eller drikkevarer i skufferne, før de køler ned til stuetemperatur.
27. Luk straks skufferne, når du lægger noget i, så temperaturen i skufferne ikke stiger dramatisk.
28. Hold apparatet væk fra varmekilder og direkte sollys.
29. For at undgå personskader på grund af elektrisk stød, må du ikke betjene apparatet med våde hænder, mens du står på våde overflader eller står i vand.
30. Produktet må ikke bruges udendørs eller i våde forhold.
31. Træk aldrig i ledningen, når den afbrydes fra stikkontakten. Tag fat i stikket, og træk det ud af stikkontakten.
32. Hold ledningen væk fra opvarmede overflader.
33. Kontroller, at spændingen i strømforsyningen i dit hjem er den samme som spændingen på produktets klassificeringsmærke.
34. Dette apparat er ikke beregnet til at blive brugt sammen med en ekstern timer eller et særskilt fjernbetjeningssystem.
35. Det anbefales regelmæssigt, at se ledningen efter for tegn på mulig forringelse. Apparatet må ikke bruges, hvis ledningen er beskadiget.



36. **ADVARSEL:** Risiko for brand/antændelige materialer.
Hold produktet langt væk fra ildkilder under brug, servicering og bortskaffelse. Der er brændbare materialer bag på apparatet.
37. Undgå væsketilstrømning til USB/Type-C-porten, da dette kan føre til kortslutning. Brug ikke våde klude til at tørre USB/Type-C-porten under rengøringen.
38. Apparatet er kun beregnet til opbevaring af fødevarer. Den kan ikke bruges til andre formål, såsom opbevaring af blod eller biologiske produkter.

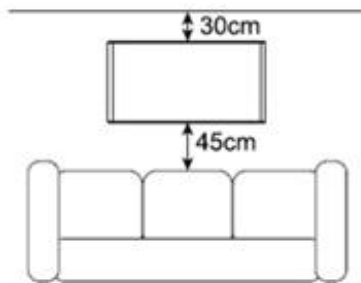
39. Brandfarligt og eksplosivt farligt gods, samt stærke ætsende syrer, baser og andre kemikalier, må ikke opbevares i skufferne.
40. Af sikkerhedsmæssige årsager, anbefales det ikke at lægge stik, strømforsyninger, mikrobølgeovne eller andre apparater oven på produktet. Brug ikke elektriske apparater i produktet for, at undgå elektromagnetisk interferens eller andre ulykker.
41. Produktet må ikke skilles ad eller ændre, og køleledningen må ikke beskadiges. Produktet må kun repareres af fagfolk.
42. Oplysninger om installation, håndtering, brug, servicering, udskiftning af pæren (hvis relevant), rengøring og bortskaffelse af apparatet kan findes i nedenstående afsnit i brugsvejledningen.

GENEREL INTRODUKTION

Dette er et kreativt apparat og et møbelprodukt. Køleskabsskuffen er beregnet til opbevaring af frugt, drikkevarer og snacks. Fryserummet er beregnet til opbevaring af is og andre fødevarer, der skal fryses. Produktet er udstyret med Bluetooth, der kan oprette forbindelse via Bluetooth 5.0 og USB Type-C-porte, som gør det muligt at afspille musik og genoplade enheder såsom mobiltelefoner, iPads og lignende.

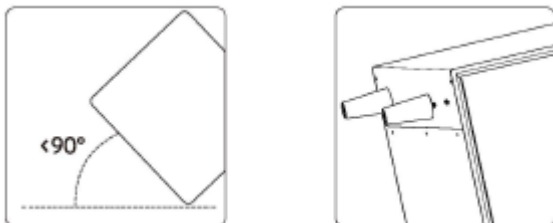
FORBEREDELSE INDEN FØRSTE BRUG

1. Fjern al emballagen, herunder skumfoden og skumtapen, der fastholder tilbehøret. Riv den gennemsigtige laminering af overfladen for, ikke at påvirke tebordets normale køling og strømforbrug. Skumpuden skal fjernes, før tebordet bruges.
2. Placer apparatet et sted, der overholder alle kravene nedenfor.
 - 1) Undgå et fugtigt, koldt miljø og direkte sollys.
 - 2) Der skal være mere end 30 cm fri plads foran tebordet. Den bedste afstand fra sofaen er ca. 45 cm.



- 3) Apparatet skal placeres på et plant og solidt gulv.

3. For at montere fødderne, skal du tage dem ud af den rigtige fryseskuffe, vip apparatet op til 90° og spænd fødderne på bunden af apparatet.



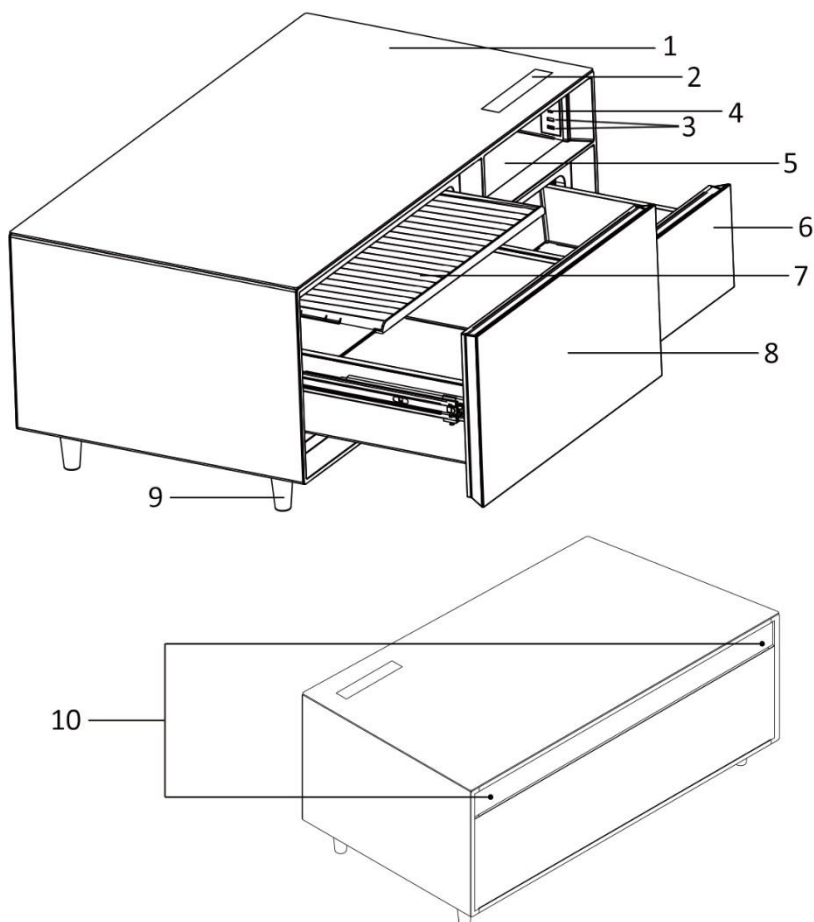
Bemærk:

- Apparatet må ikke vendes på hovedet, når du gør dette.
- Hvis apparatet skal hæves, skal der bruges en flad, solid og ikke-brændbar støtte. Hvis bordet er lidt ustabil, skal du justere apparatets justerbare fødder. Brug aldrig emballageskummet, som fod under bordet.

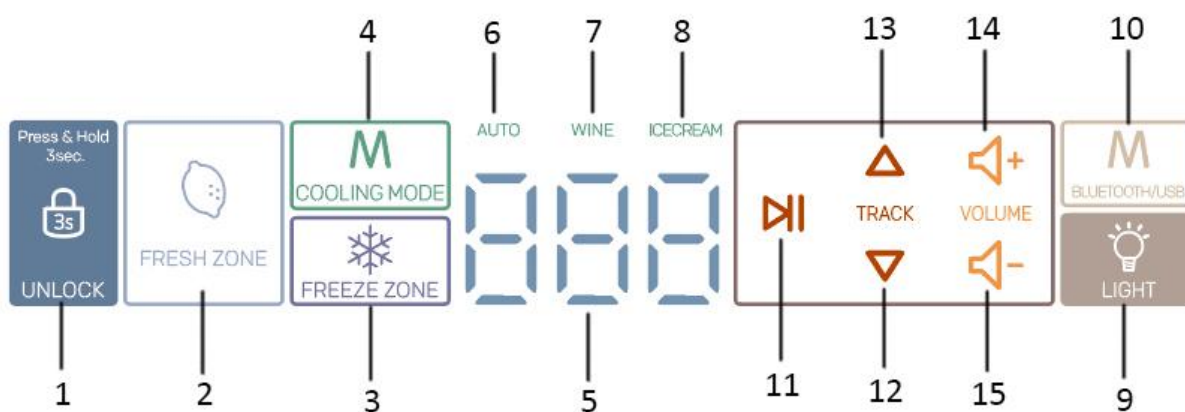
4. Rengør apparatet inden brug. Se afsnittet "RENGØRING OG PLEJE".
5. Apparatet skal altid stå uden brug i mindst 2 timer, hvis det flyttes eller rengøres.
6. Når apparatet har stået i 2 timer, skal du kontrollere USB- og Type-C-portene, og sørge for, at der ikke er vanddamp. Ledningen findes fornedet på apparatet. Sæt stikket i en passende stikkontakt. Efterlad altid nok ledningen, så den er lang nok, og undgå, at nogle kan snuble over den.

PRODUKTBILLEDE

1. Bordplade af glas
2. Betjeningspanel
3. USB-port (x2)
(Den øvre USB-port er kun beregnet til opladning. Den nedre USB-port er beregnet til opladning og afspilning).
4. Type-C-port
5. Opbevaringsrum
6. Højre fryseskuffe
7. Vandbakke til køleskab
8. Venstre køleskabsskuffe
9. Fødder
10. Lyd



BETJENINGSPANEL



1. Lås op-knap
2. Indstilling af temperaturen i køleskabsskuffen
3. Indstilling af temperaturen i fryseskuffen
4. Knap til kølefunktion
5. Digital skærm
6. Indikator til auto-funktion
7. Lysindikator til vin-funktion
8. Lysindikator til is-funktion
9. Tænd /sluk-knap til lyset
10. Valg af Bluetooth/USB
11. Afspil/Pause af lyd
12. Næste nummer

13. Førrige nummer
14. Lydstyrke op
15. Lydstyrke ned

Bemærkninger:

- Når du indstiller lydfunktionen, er der ingen temperaturvisning, men den aktuelle lydfunktion vises.
- Hold oplåsningsknappen nede i 3 sekunder, hvorefter køle- og fryseskufferne låses op. Lyden kan slås til og fra uafhængigt.
- Tryk på tænd/sluk-knappen til lyset, hvorefter lyset i opbevaringsrummet tænder og slukker.

Brug af køle- og fryseskabsskufferne

Når apparatet tændes for første gang, er knapperne ikke låst, men de låses, hvis apparatet ikke betjenes i 10.

1. Når knapperne er låst, skal du holde oplåsningsknappen nede i 3 sekunder, hvorefter de andre knapper i dette afsnit kan betjenes.
2. Den højre skuffe er en fryseskuffe. For at indstille temperaturen, skal du trykke på knappen "FRYSEZONE", hvorefter temperaturen går fra -6 °C til -12 °C i trin, hver gang der trykkes på knappen. Den venstre skuffe er en køleskabsskuffe. For at indstille temperaturen i den, skal du trykke på knappen "FRISK ZONE", hvorefter temperaturen går fra 1 °C til 12 °C i trin, hver gang der trykkes på knappen. Men temperaturen kan justeres forskelligt i henhold til temperaturen i fryseskuffens, der skal indstilles. (Se referencetabellen nedenfor) Hvis der ikke er nogen handling i over 3 sekunder, bekræftes indstillingen, og skærmen holder op med at blinke.

Frysetemperaturen, som du har indstillet (°C)	Køleskabets temperaturområde, som du kan indstille (°C)
-12	1, 2, 3, 4, 5, 6, 7, 8
-11	2, 3, 4, 5, 6, 7, 8, 9
-10	3, 4, 5, 6, 7, 8, 9, 10
-9	4, 5, 6, 7, 8, 9, 10, 11
-8	5, 6, 7, 8, 9, 10, 11, 12
-7	6, 7, 8, 9, 10, 11, 12
-6	7, 8, 9, 10, 11, 12

3. Ved at trykke på knappen »KØLEFUNKTION« kan du vælge en af de tre kølefunktioner: AUTO-funktion, vin-funktion og is-funktion. Når en bestemt funktion vælges, lyser lysindikatoren dertil. Den systemindstillede temperatur er som følger.

Kølefunktion	Fryserens temperatur (°C)	Køleskabets temperatur (°C)
AUTO	-12	3
Vin	-8	12
Is	-12	6

4. Hvis skuffen åbnes i for lang tid eller hvis den ikke lukkes ordentligt, lyder alarmen med jævne mellemrum og "dr" blinker på skærmen for, at minde dig på, at skuffen skal lukkes.

Bemærkninger til opbevaring af fødevarer:

- Opbevar ikke fødevarer, der let fordærves i en lav temperatur, såsom bananer og tropiske frugter. Nogle fødevarer bliver misfarvet, hvis de køles for meget, og deres vitaminindhold reduceres.
- Læg ikke varme fødevarer i skuffen, da de forøger temperaturen i skuffen og påvirker friskheden af andre fødevarer.
- Undgå, at åbne skuffen for tit. Når skuffen er åben, trænger den varme luft ind i skuffen, der gør at temperaturen i skuffen stiger.
- Brug plastikfolie eller en plastikpose til, at forsegle fødevarebeholderne, eller brug en overdækket beholder til at opbevare fødevarerne, så fødevarerne ikke fordærves, og de bevarer deres smag og ernæring. Dette kan også reducere lugten i skuffen.
- Fødevarer, såsom grøntsager og frugt, skal vaskes og skrubbes rene, inden de lægges i skuffen.

- Flasker skal placeres, så de ikke vælter, når skuffen åbnes.
- Skillevæggen i skuffen bruges til, at adskille de forskellige fødevarer. Juster skillevæggene efter behov. Fjern skillevæggene, hvis der er for mange fødevarer i et kammer.
- Udstrækningsbakken i skuffen kan bruges til at opbevare vasket frugt (f.eks. druer og jordbær).
- Temperaturen i venstre og højre skuffe kan styres uafhængigt af hinanden. Juster temperaturen i henhold til fødevarerne.

Lydstyring

1. Søg efter og opret forbindelse til Bluetooth-enheden, der hedder "T3" på din mobiltelefon. Herefter virker apparatets højttaler som en ekstern højttaler til din mobiltelefon.

Bemærk: Når Bluetooth-dataoverførslen er afbrudt, siger en stemme »Bluetooth disconnected« (Bluetooth afbrudt). Bluetooth nulstilles efter 5 minutter. Hvis en tidligere forbunden mobilenhed forbindes igen, oprettes Bluetooth-forbindelsen automatisk.

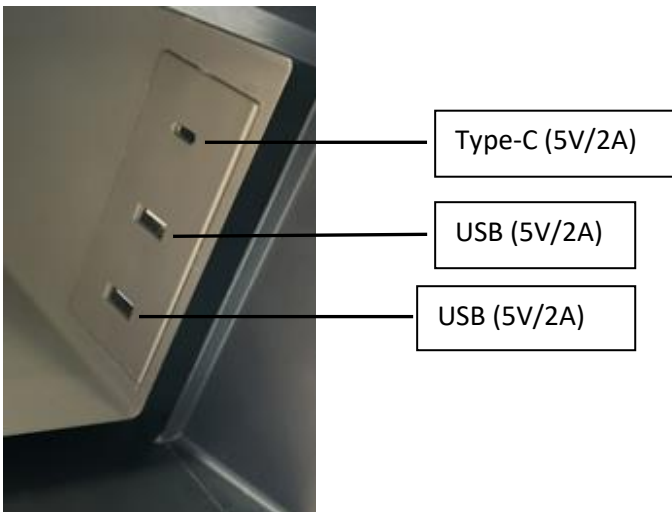
2. Apparatet kan både betjenes på din mobiltelefon og på dets betjeningspanel, hvor afspilningen kan startes/sættes på pause, skiftes og lydstyrken kan justeres. Du kan se funktionerne på alle knapperne i afsnittet »BETJENINGSPANEL«. Hvis du vælger det sidste nummer, vises "FF" på LED-skærmen. Hvis du vælger det næste nummer, vises "FB" på LED-skærmen.

3. Data kan også læses og afspilles via en USB-forbindelse til den nedre USB-port. Hvis du vil skifte mellem Bluetooth- og USB-forbindelsen, skal du trykke på Bluetooth/USB-knappen.

4. Der kan vælges mellem 16 lydstyrker og standardlydstyrken er 8. Hver gang du trykker på knappen lydstyrke op-knappen, skrues lydstyrken op. Hver gang du trykker på knappen lydstyrke-ned knappen, skrues lydstyrken ned. Lydstyrkeindstillingen vises på skærmen, som går tilbage til kildevisningen efter 2 sekunder, når lydstyrkeindstillingen er færdig.

USB-opladningsfunktion

Apparatet er udstyret med en type-C-port og to USB-porte. Når apparatet er tændt, kan du genoplade enheder som mobiltelefoner, iPads og lignende. Dette gøres ved, at slutte dem til portene med et kabel.



TIPS TIL ENERGIBESPARING

- Stil apparatet på et koldt og godt ventileret sted. Hold det væk fra varmekilder og undgå direkte sollys.
- Åbn lågen så lidt som muligt, og i så kort tid som muligt.
- Tildæk eller indpak fødevarerne, inden de puttes i apparatet.
- Put ikke varme føde- eller drikkevarer i skufferne, før de er kølet ned.
- Skufferne må aldrig fyldes for meget op. Luften skal kunne strømme gennem.
- Temperaturen må ikke indstilles for lavt. Jo lavere temperaturen er sat, jo højere er strømforbruget.

RENGØRING OG PLEJE

Af hygiejniske årsager skal apparatet (herunder udvendigt og indvendigt tilbehør) rengøres regelmæssigt.

ADVARSEL: Apparatet må ikke være sluttet til lysnettet under rengøringen. Fare for elektrisk stød! Inden rengøringen, skal apparatet altid slukkes, og stikket skal trækkes ud af stikkontakten.

- Når apparatet er afbrudt fra strømmen, skal du bruge en blød klud med et neutralt rengøringsmiddel til at rengøre overfladen, hvorefter det skal tørres af.
- Sprøjt ikke vand på apparatet. Rengør kun betjeningspanelet, USB/Type-C-portene med en tør klud. Undgå elektrisk stød og kortslutning!
- Brug ikke følgende materialer til rengøring: Let sure eller alkaliske rengøringsmidler, slibepulver, alkohol, forskellige syreolie, stive børster, slibende svampebørste, varmt vand.
- Apparatet er tungt. Apparatet må ikke rystes under rengøringen. Sørg for, at bordpladen vender opad.
- Rengør ikke bagnet for hårdt. Hvis nettet misformerer, og rengøringsvæske trænger ind i det, kan det føre til en kortslutning.

Aftagelse og rengøring af skufferne

- Tag alt ud af skuffen, inden du tager skufferne ud.
- Træk skufferne helt ud, løft skuffens yderside lidt opad og træk derefter skufferne ud.
- Skufferne må kun vaskes med rent vand. Tør dem med en blød klud. Brug aldrig varmt vand til rengøring, da dette kan få delene til at revne og forårsage personskader.

Rengøring af lågens tætningsliste

Lågens tætningsliste kan let blive beskidt, slidt og beskadiget, hvilket gør at apparatet ikke køler/fryser så godt. Så den skal holdes ren.

Brug vand til, at rengøre lågens tætningsliste og tør den grundigt af.

Hold op med, at bruge apparatet

Hvis apparatet ikke skal bruges længere tid, skal du trække stikket ud og rengøre skufferne. Lad skuffens låge stå åben, for at undgå lugte.

Bemærk: Hvis stikket er trukket ud, skal du vente mindst 5 minutter, før du slutter det til igen. Undgå, at afbryde apparatet for tit.

TRANSPORT AF APPARATET

1. Sluk for apparatet og træk stikket ud.
2. Tag alle fødevarerne ud.
3. Brug tape til, at fastgøre bevægelige dele.
4. Luk skuffelågen, og fastgør den med tape.

Advarsel! Apparatet må aldrig stilles på hovedet, under nogen omstændigheder. Under transporten må apparatet ikke vippe mere end 45 grader for, at undgå problemer med kølesystemet.

STRØMFEJL OG HÅNDBTERING

- Hvis der er strømsvigt, holder skufferne temperaturen i ca. 1-2 timer, også om sommeren. I denne situation må du ikke putte flere fødevarer i apparatet. Og undgå, at åbne skuffens låge.
- Hvis du allerede ved, at strømmen slås fra, kan du sætte en vandtæt beholder med is i skuffen.

Bemærk: Når temperaturen i skufferne stiger, enten på grund af strømsvigt eller af andre årsager, påvirker det fødevarernes kvalitet.

TEKNISKE SPECIFIKATIONER

Nominal spænding:	220 V – 240 V ~
Nominal strøm:	0,3 A
Nominal frekvens:	50 Hz
Lampens styrke:	1,5 W
Klimaklasse:	SN/N/ST/T
Kølemiddel:	R600a (26g)

Beskyttelse mod elektrisk stød:	I
Isolationsblæsende gas:	Cyclopentan
Støjniveau	40 dB(A)
Maks. sendeeffekt	-6 ~ 4 dBm
Frekvensområde	2402 - 2480MHz

Bemærk: DID kan ses på produktets klassificeringsetiket, som er klistret på siden af skuffen.

FEJLFINDING

For generelle symptomer, bedes du se tabellen nedenfor.

Symptom	Mulig årsag	Løsning
Apparatet siger vandstrømmende lyd.	Dette er normalt. Det er kølemidlet, der flyder i apparatet.	/
Apparatet reagerer ikke, når der trykkes på knapperne	Betjeningspanelet er låst.	Kontroller og lås betjeningspanelet op.
Apparatet siger en vibrerende lyd.	Det er kompressoren, der lyder sådan, når den kører.	/
	Apparatet står ikke på en stabil og plan overflade.	Placer apparatet på en stabil og plan overflade.
Opladningen via USB virker ikke	Apparatet er ikke tændt.	Tænd apparatet.
	Opladningskablet er ødelagt.	Brug et ordentligt opladningskabel.
Kompressoren kører uafbrudt.	Dette er normalt, hvis omgivelsestemperaturen er meget høj.	/
	Temperaturen er indstillet for lav.	Sæt temperaturen på en passende indstilling.
	Skuffelågen er ikke helt lukket.	Sørg for, at skuffelågen er ordentligt lukket.
	Fødevarerne, der lægges i skuffen, er for varme.	Lad fødevarerne køle ned til stuetemperatur, inden den lægges i skuffen.
	Hvis der er direkte sollys eller andre varme kilder i nærheden af apparatet.	Sørg for, at apparatet står på et koldt sted.
	Der er for mange fødevarer i skuffen.	Arranger skuffen, og sørg for, at der er fri plads til luftgennemstrømning.

GARANTI OG KUNDESERVICE

Før vores apparater leveres, undergår de en streng kvalitetskontrol. Skulle du på trods af al vores umagen modtage et produkt med en skade fra fremstilling eller transport, bedes du levere det tilbage til din forhandler. Udover de obligatoriske juridiske rettigheder, kan køberen også stille krav under vilkårene i den følgende garanti: Vi giver 2 års garanti på det købte produkt, begyndende på salgsdagen. Hvis du har et defekt produkt, kan du henvende dig direkte ved salgsstedet.

Denne garanti dækker ikke defekter som opstår som konsekvens af forkert håndtering eller fejl som følge af manipulation og reparationer udført af tredjeparter, eller montering af ikke-originale dele. Gem altid din kvittering, da du uden kvitteringen ikke kan gøre krav på nogen form for garanti. Skader som opstår fordi brugervejledningen ikke følges, medfører at garantien bortfalder, og hvis dette har efterfølgende skader, er vi ikke ansvarlige på nogen måde. Vi kan heller ikke holdes ansvarlige for materielle eller personskade forårsaget af

forkert brug, hvis brugervejledningen ikke følges korrekt. Skade på tilbehør betyder ikke at hele apparatet bliver erstattet. I sådanne tilfælde bedes du rette henvendelse til vores serviceafdeling. Brud på glas og plastdele erstattes altid mod betaling. Defekter på forbrugsartikler eller dele som er udsat for slidtage, samt rengøring, vedligeholdelse eller erstatning af disse dele er ikke dækket af garantien, og der bliver opkrævet betaling for sådanne tjenester.

Reservedelens garantiperiode er 2 år. Kontakt vores kundeservice, hvis en del skal skiftes.

MILJØVENLIG BORTSKAFFELSE



Genbrug – EU direktiv 2012/19/EU

Denne markering betyder at dette produkt ikke må bortskaffes sammen med almindeligt husholdningsaffald. skader på miljøet eller menneskers sundhed som følge af ukontrolleret bortskaffelse af affald, skal det genbruges ansvarligt med henblik på bæredygtig genanvendelse af materialeressourcer. Til returnering af den brugte enhed skal man benytte retur- og

indsamlingsystemerne eller kontakte den forhandler, hvor produktet blev købt. De kan modtage dette produkt med henblik på miljømæssig sikker genbrug.

Hvis du oplever problemer med produktet eller skal bruge reservedele, bedes du finde vores kundeservicenummer på vores hjemmeside www.emerio.eu/service.

Emerio Nordic AB
Smedjegatan 6
131 54 Nacka
Sweden